

- (EN) Hydro-Pneumatic Power Tool
- (BG) Хидро-пневматичен електроинструмент
- (HR) Hidro-pneumatski električni alat
- (CZ) Hydropneumatické nářadí
- (RO) Unealtă hidro-pneumatică
- (HU) Hidropneumatikus szerszámgép
- (SK) Hydro-pneumatické elektrické náradie
- (SL) Hidro-pneumatsko električno orodje
- (RU) Гидропневматический электроинструмент
- (AR) الأداة الكهروبنائية المائية الهوائية
- (LV) Hidropneimatiskais elektroinstruments
- (LT) Hidraulinis-pneumatinis elektrinis įrankis
- (ET) Hidropneumaatiline tööriist
- (EL) Υδροπνευματικό εργαλείο ισχύος
- (TR) Hidro-Pnömatik Elektrikli Alet



07536 Repetition Tool for Speed Rivets

Hydro-Pneumatic Power Tool

©2021 Stanley Black & Decker inc.
All rights reserved.

The information provided may not be reproduced and/or made public in any way and through any means (electronically or mechanically) without prior explicit and written permission from STANLEY Engineered Fastening. The information provided is based on the data known at the moment of the introduction of this product. STANLEY Engineered Fastening pursues a policy of continuous product improvement and therefore the products may be subject to change. The information provided is applicable to the product as delivered by STANLEY Engineered Fastening. Therefore, STANLEY Engineered Fastening cannot be held liable for any damage resulting from deviations from the original specifications of the product.

The information available has been composed with the utmost care. However, STANLEY Engineered Fastening will not accept any liability with respect to any faults in the information nor for the consequences thereof. STANLEY Engineered Fastening will not accept any liability for damage resulting from activities carried out by third parties. The working names, trade names, registered trademarks, etc. used by STANLEY Engineered Fastening should not be considered as being free, pursuant to the legislation with respect to the protection of trade marks.

1. SAFETY DEFINITIONS	4
1.1 GENERAL SAFETY RULES	4
1.2 PROJECTILE HAZARDS	4
1.3 OPERATING HAZARDS.....	5
1.4 REPETITIVE MOTIONS HAZARDS.....	5
1.5 ACCESSORY HAZARDS	5
1.6 WORKPLACE HAZARDS.....	5
1.7 NOISE HAZARDS.....	5
1.8 VIBRATION HAZARDS.....	5
1.9 ADDITIONAL SAFETY INSTRUCTIONS FOR PNEUMATIC AND HYDRAULIC TOOL	6
2. SPECIFICATIONS.....	7
2.1 SPECIFICATION FOR 07536 TOOL	7
2.2 SPECIFICATION FOR 07531 INTENSIFIER.....	7
3. INTENT OF USE.....	8
3.1 TOOL DIMENSIONS - 07536 MODEL.....	8
4. PUTTING INTO SERVICE.....	9
4.1 AIR SUPPLY	9
4.2 AIR CURSORS	10
4.3 LOADING AND RELOADING THE TOOL	10
4.4 OPERATING PROCEDURE.....	12
5. SERVICING THE TOOL.....	13
5.1 PNEUMATIC CONTROL BOX.....	13
5.2 DAILY	13
5.3 WEEKLY	13
5.4 MOLY LITHIUM GREASE EP 3753 SAFETY DATA.....	13
5.5 SERVICE KIT.....	14
5.6 AIR CURSOR TOOL, INTENSIFIER & CONTROL BOX ASSEMBLY 07536-02100	15
6. MAINTENANCE.....	16
6.1 DISMANTLING 07536-02200	16
6.2 GENERAL ASSEMBLY OF BASE TOOL 07536-02200.....	18
6.3 PARTS LIST FOR BASE TOOL 07536-02200	19
6.4 DISMANTLING INSTRUCTIONS.....	20
6.5 PROTECTING THE ENVIRONMENT	21
6.6 INTENSIFIER 07531-02200.....	21
7. PRIMING	23
7.1 OIL DETAILS.....	23
7.2 HYPIN® VG32 AND AWS 32 OIL SAFETY DATA	23
7.3 PRIMING PROCEDURE.....	23
8. FAULT DIAGNOSIS	24
9. EC DECLARATION OF CONFORMITY	26
10. UK DECLARATION OF CONFORMITY	27
11. PROTECT YOUR INVESTMENT!	28



This instruction manual must be read by any person installing or operating this tool with particular attention to the following safety rules.



Always wear impact-resistant eye protection during operation of the tool. The grade of protection required should be assessed for each use.







Use hearing protection in accordance with employer's instructions and as required by occupational health and safety regulations.



Use of the tool can expose the operator's hands to hazards, including crushing, impacts, cuts and abrasions and heat. Wear suitable gloves to protect hands.

1. SAFETY DEFINITIONS

The definitions below describe the level of severity for each signal word. Please read the manual and pay attention to these symbols.

-  **DANGER:** Indicates an imminently hazardous situation which, if not avoided, will result in death or serious injury.
-  **WARNING:** Indicates a potentially hazardous situation which, if not avoided, could result in death or serious injury.
-  **CAUTION:** Indicates a potentially hazardous situation which, if not avoided, may result in minor or moderate injury.
-  **CAUTION:** Used without the safety alert symbol indicates a potentially hazardous situation which, if not avoided, may result in property damage.

Improper operation or maintenance of this product could result in serious injury and property damage. Read and understand all warnings and operating instructions before using this equipment. When using power tools, basic safety precautions must always be followed to reduce the risk of personal injury.

SAVE ALL WARNINGS AND INSTRUCTIONS FOR FUTURE REFERENCE

1.1 GENERAL SAFETY RULES

- For multiple hazards, read and understand the safety instructions before installing, operating, repairing, maintaining, changing accessories on, or working near the tool. Failure to do so can result in serious bodily injury.
- Only qualified and trained operators must install, adjust or use the tool.
- DO NOT use outside the design intent of placing STANLEY Engineered Fastening Blind Rivets.
- Use only parts, fasteners, and accessories recommended by the manufacturer.
- DO NOT modify the tool. Modifications can reduce the effectiveness of safety measures and increase the risks to the operator. Any modification to the tool undertaken by the customer will be the customer's entire responsibility and void any applicable warranties.
- Do not discard the safety instructions; give them to the operator.
- Do not use the tool if it has been damaged.
- Prior to use, check for misalignment or binding of moving parts, breakage of parts, and any other condition that affects the tool's operation. If damaged, have the tool serviced before using. Remove any adjusting key or wrench before use.
- Tools shall be inspected periodically to verify that the ratings and markings required by this part of ISO 11148 are legibly marked on the tool. The employer/user shall contact the manufacturer to obtain replacement marking labels when necessary.
- The tool must be maintained in a safe working condition at all times and examined at regular intervals for damage and function by trained personnel. Any dismantling procedure will be undertaken only by trained personnel. Do not dismantle this tool without prior reference to the maintenance instructions.

1.2 PROJECTILE HAZARDS

- Disconnect the tool from the air supply before performing any maintenance, attempting to adjust, fit or remove a nose assembly or accessories.
- Be aware that failure of the workpiece or accessories, or even of the inserted tool itself can generate high-velocity projectiles.
- Always wear impact-resistant eye protection during operation of the tool. The grade of protection required should be assessed for each use.
- The risks to others should also be assessed at this time.
- Ensure that the workpiece is securely fixed.
- Check that the means of protection from ejection of fastener and/or mandrel is in place and is operative.
- Warn against the possible forcible ejection of mandrels from the front of the tool.
- DO NOT operate a tool that is directed towards any person(s).

1.3 OPERATING HAZARDS

- Use of the tool can expose the operator's hands to hazards, including crushing, impacts, cuts and abrasions and heat. Wear suitable gloves to protect hands.
- Operators and maintenance personnel shall be physically able to handle the bulk, weight and power of the tool.
- Hold the tool correctly; be ready to counteract normal or sudden movements and have both hands available.
- Keep tool handles dry, clean, and free from oil and grease.
- Maintain a balanced body position and secure footing when operating the tool.
- Release the start-and-stop device in the case of an interruption of the hydraulic supply.
- Use only lubricants recommended by the manufacturer.
- Contact with hydraulic fluid should be avoided. To minimise the possibility of rashes, care should be taken to wash thoroughly if contact occurs.
- Material Safety Data Sheets for all hydraulic oils and lubricants is available on request from your tool supplier.
- Avoid unsuitable postures as it is likely for these positions not to allow counteracting of normal or unexpected movement of the tool.
- If the tool is fixed to a suspension device, make sure that the fixation is secure.
- Beware of the risk of crushing or pinching if nose equipment is not fitted.
- DO NOT operate tool with the nose casing removed.
- Adequate clearance is required for the tool operator's hands before proceeding.
- When carrying the tool from place to place keep hands away from the trigger to avoid inadvertent activation.
- DO NOT abuse the tool by dropping or using it as a hammer.
- Care should be taken to ensure that spent mandrels do not create a hazard.

1.4 REPETITIVE MOTIONS HAZARDS

- When using the tool, the operator can experience discomfort in the hands, arms, shoulders, neck or other parts of the body.
- While using the tool, the operator should adopt a comfortable posture whilst maintaining a secure footing and avoiding awkward or off-balance postures. The operator should change posture during extended tasks; this can help avoid discomfort and fatigue.
- If the operator experiences symptoms such as persistent or recurring discomfort, pain, throbbing, aching, tingling, numbness, burning sensations or stiffness, these warning signs should not be ignored. The operator should tell the employer and consult a qualified health professional.

1.5 ACCESSORY HAZARDS

- Disconnect the tool from the air supply before fitting or removing the nose assembly or accessory.
- Use only sizes and types of accessories and consumables that are recommended by the manufacturer of the tool; do not use other types or sizes of accessories or consumables.

1.6 WORKPLACE HAZARDS

- Slips, trips and falls are major causes of workplace injury. Be aware of slippery surfaces caused by use of the tool and also of trip hazards caused by the air line or hydraulic hose.
- Proceed with care in unfamiliar surroundings. There can be hidden hazards, such as electricity or other utility lines.
- The tool is not intended for use in potentially explosive atmospheres and is not insulated against contact with electric power.
- Ensure that there are no electrical cables, gas pipes, etc., which can cause a hazard if damaged by use of the tool.
- Dress properly. Do not wear loose clothing or jewellery. Keep your hair, clothing and gloves away from moving parts. Loose clothes, jewellery or long hair can be caught in moving parts.
- Care should be taken to ensure that spent mandrels do not create a hazard.

1.7 NOISE HAZARDS

- Exposure to high noise levels can cause permanent, disabling hearing loss and other problems, such as tinnitus (ringing, buzzing, whistling or humming in the ears). Therefore, risk assessment and the implementation of appropriate controls for these hazards are essential.
- Appropriate controls to reduce the risk may include actions such as damping materials to prevent workpieces from "ringing".
- Use hearing protection in accordance with employer's instructions and as required by occupational health and safety regulations.
- Operate and maintain the tool as recommended in the instruction manual, to prevent an unnecessary increase in the noise level.

1.8 VIBRATION HAZARDS

- Exposure to vibration can cause disabling damage to the nerves and blood supply of the hands and arms.
- Wear warm clothing when working in cold conditions and keep your hands warm and dry.

- If you experience numbness, tingling, pain or whitening of the skin in your fingers or hands, stop using the tool, tell your employer and consult a physician.
- Where possible Support the weight of the tool in a stand, tensioner or balancer, because a lighter grip can then be used to support the tool.

1.9 ADDITIONAL SAFETY INSTRUCTIONS FOR PNEUMATIC & HYDRAULIC POWER TOOLS

- The operating supply air must not exceed 7 bar (100 PSI).
- Air under pressure can cause severe injury.
- Never leave operating tool unattended. Disconnect air hose when tool is not in use, before changing accessories or when making repairs.
- DO NOT let air exhaust opening on the mandrel collector face in the direction of the operator or other persons. Never direct air at yourself or anyone else.
- Whipping hoses can cause severe injury. Always check for damaged or loose hoses and fittings.
- Prior to use, inspect airlines for damage, all connections must be secure. Do not drop heavy objects on hoses. A sharp impact may cause internal damage and lead to premature hose failure.]
- Cold air shall be directed away from hands.
- Whenever universal twist couplings (claw couplings) are used, lock pins shall be installed and whipcheck safety cables shall be used to safeguard against possible hose-to-tool or hose-to-hose connection failure.
- DO NOT lift the placing tool by the hose. Always use the placing tool handle.
- Vent holes must not become blocked or covered.
- Keep dirt and foreign matter out of the hydraulic system of the tool as this will cause the tool to malfunction.
- Oil under pressure can cause severe injury.
- Prior to use, inspect hydraulic hoses for damage. All hydraulic connections must be clean, fully engaged and tight before operation. Do not drop heavy objects on hoses. A sharp impact may cause internal damage and lead to premature hose failure.
- DO NOT pull or move the intensifier unit using the hoses. Always use the unit handle.
- Use only clean oil and filling equipment.
- Only recommended hydraulic fluids may be used.
- Maximum temperature of the hydraulic fluid at the inlet is 100°C (212°F).

⚠ WARNING: While a small amount of wear and marking will naturally occur through normal and correct use of mandrels, they must be regularly examined for excessive wear and marking, with particular attention to the head diameter, the tail jaw gripping area of the shank or heavy pitting of the shank and any mandrel distortion. Mandrels which fail during use could forcibly exit the tool. It is the customer's responsibility to ensure that mandrels are replaced before any excessive levels of wear and always before the maximum recommended number of placings. Contact your STANLEY Engineered Fastening representative who will let you know what that figure is by measuring the broach load of your application with our calibrated measuring tool.

STANLEY Engineered Fastening policy is one of continuous product development and improvement and we reserve the right to change the specification of any product without prior notice.

2. SPECIFICATIONS

2.1 SPECIFICATION FOR 07536 TOOL

Air Pressure	Minimum - Maximum	5-7 bar (70-100 lbf/in ²)
Free Air Volume Required	@ 5.1 bar /75 lbf/in ²	2.6 litres (0.09 ft ³)
Stroke	Minimum	25 mm (1 in)
Pull Force	@ 5.5 bar /80 lbf/in ²	3.89 kN (875 lbf)
Cycle time	Approximately	1 second
Weight	Pistol	1.2 kg (2.64 lb)

2.2 SPECIFICATION FOR 07531 INTENSIFIER

Air Pressure	Minimum - Maximum	5-7 bar (70-100 lbf/in ²)
Intensification Ratio		32:1

Noise values determined according to noise test code ISO 15744 and ISO 3744.		07536
A-weighted sound power level dB(A), L_{WA}	Uncertainty noise: $k_{WA} = 2.3$ dB(A)	79.5 dB(A)
A-weighted emission sound pressure level at the work station dB(A), L_{pA}	Uncertainty noise: $k_{pA} = 2.3$ dB(A)	68.5 dB(A)
C-weighted peak emission sound pressure level dB(C), L_{pC} , peak	Uncertainty noise: $k_{pC} = 2.5$ dB(C)	96.9 dB(C)
Vibration values determined according to vibration test code ISO 20643 and ISO 5349.		07536
Vibration emission level, a_{hd} :	Uncertainty vibration: $k = 0.25$ m/s ²	0.97 m/s ²
Declared vibration emission values in accordance with EN 12096		

3. INTENT OF USE

The pneumatic 07536 tool is a hand held light weight tool designed to place 1/16" Avlug® making it ideal for batch or flow-line assembly in a wide variety of applications throughout all industries.

The Hand Tool and Intensifier have been tested as separate items and combined. They must only be used together and for no other purposes. Refer to "Putting into Service" on page 9-12 for connection details.

Part numbers are shown to order a complete tool but no nose equipment.

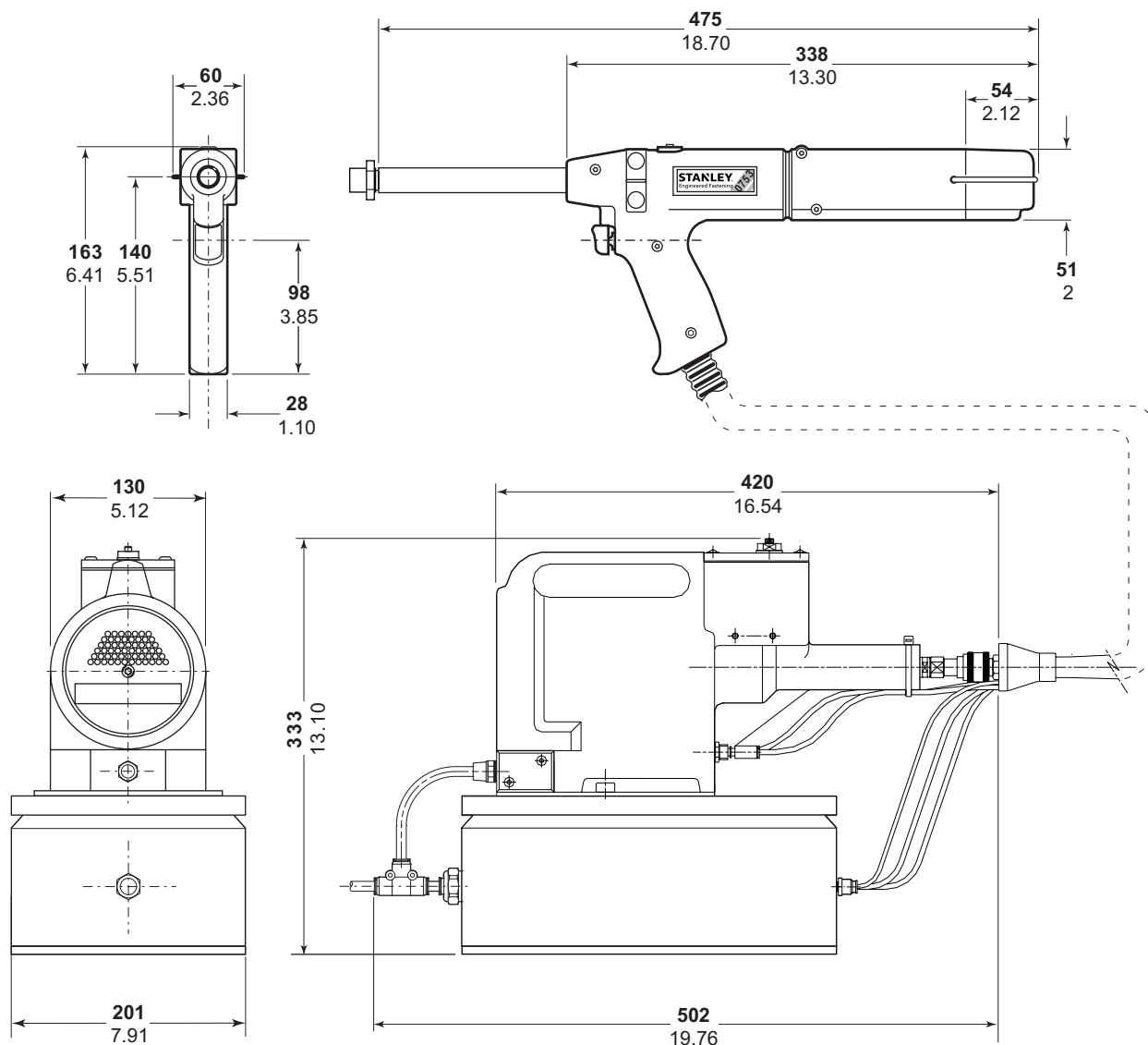
The tool number for the 07536 model is 07536-02200.

See the general assemblies on pages 15-22.

DO NOT use under wet conditions or in the presence of flammable liquids or gases.

3.1 TOOL DIMENSIONS - 07536 MODEL

Part Number 07536-02100



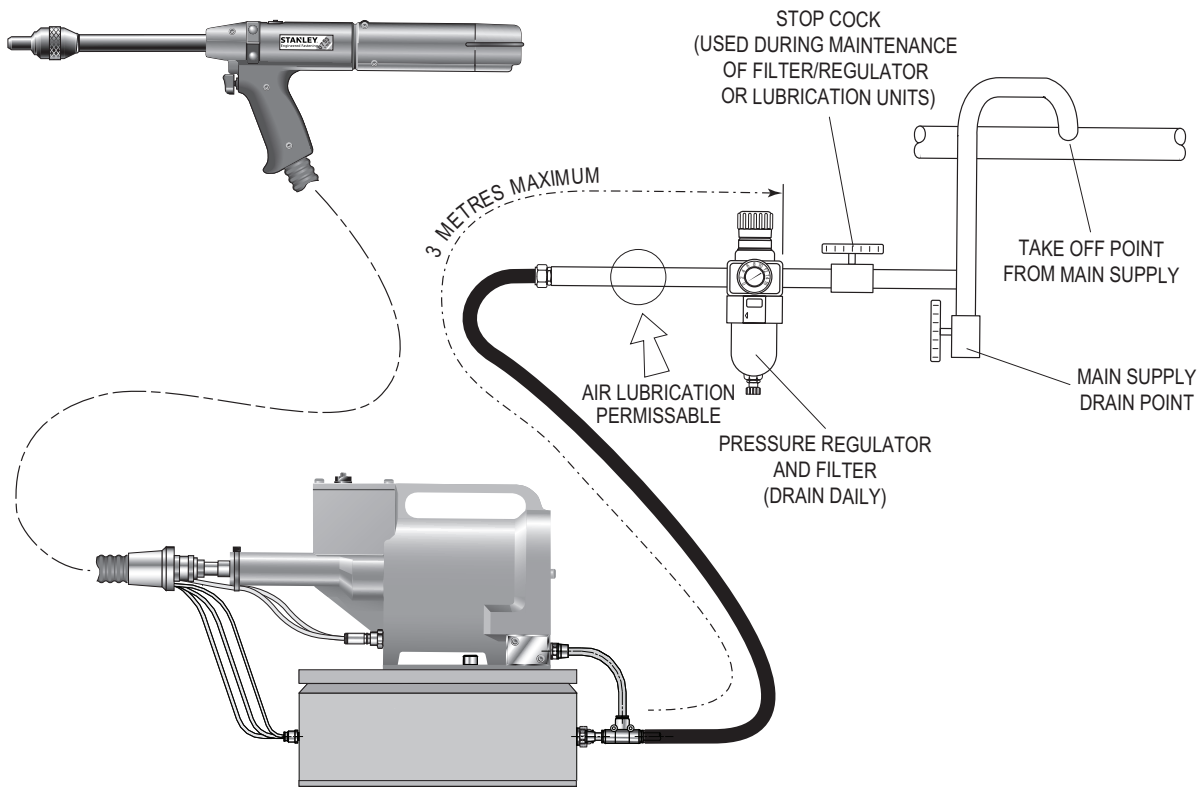
Dimensions in mm.

4. PUTTING INTO SERVICE

4.1 AIR SUPPLY

All tools are operated with compressed air at an optimum pressure of 5.5 bar. We recommend the use of pressure regulators and automatic oiling/filtering systems on the main air supply. To ensure maximum tool life and minimum tool maintenance they should be fitted within 3 metres of the tool (see diagram below).

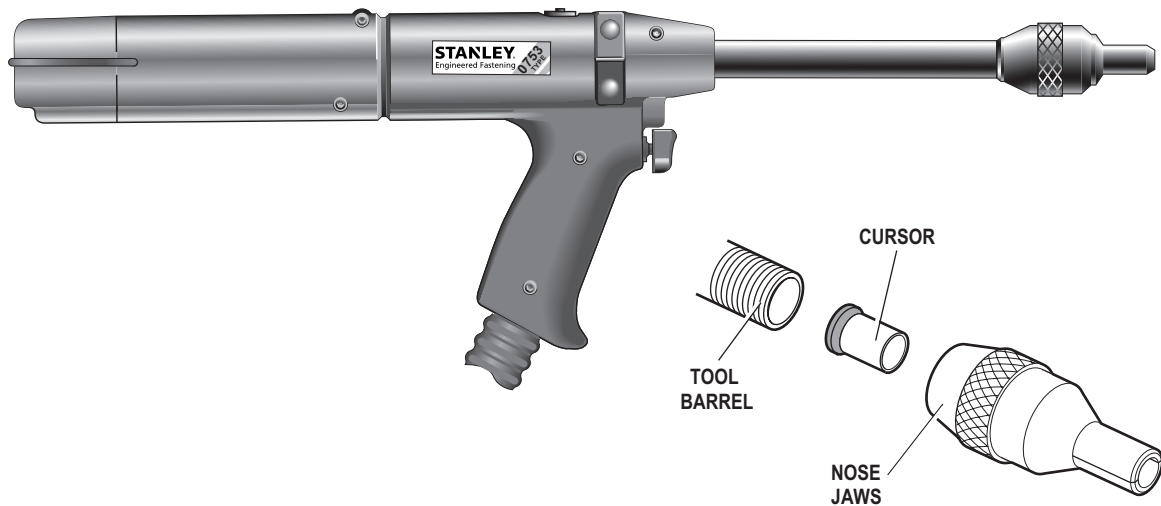
Air supply hoses should have a minimum working effective pressure rating of 150% of the maximum pressure produced in the system or 10 bar, whichever is the highest. Air hoses should be oil resistant, have an abrasion resistant exterior and should be armoured where operating conditions may result in hoses being damaged. All air supply hoses MUST have a minimum bore diameter of 6.4 millimetres or 1/4 inch.



Follow the steps below when connecting the tool to the intensifier and main air supply:

- Push the end of the large hydraulic hose from the tool into the quick release connector on the end of the intensifier.
- On the front face of the intensifier (Refer to page 15):
 - Push the blue pneumatic (4mm OD) line into the reducer fitting which is located in the left hand bulkhead connector.
 - Push the black pneumatic (4mm OD) line into the plastic collet of the right hand bulkhead connector.
- On the front face of the control box (Refer to page 15):
 - Push the silver pneumatic (3mm OD) line into the reducer labelled 'Cursor' on the front face of the control box - LH side.
 - Push the green pneumatic (4mm OD) line into the reducer labelled 'Tail Jaws' on the front face of the control box - middle.
 - Push the white pneumatic (4mm OD) line into the reducer labelled 'Signal' on the front face of the control box - RH side.
- Fit a pneumatic hose between the male connector at the rear of the intensifier and main air supply.

4.2 AIR CURSORS



Air Cursor Selection

See separate data sheet 07900-00863 for nose assembly components.

CURSOR

IMPORTANT

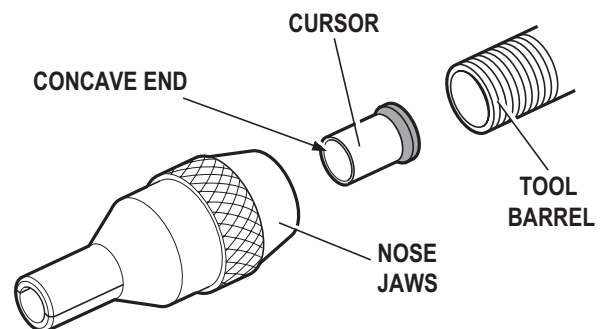
If fitted incorrectly, the cursor will not allow the loading of the tool and feeding of the fasteners.

While the cursor will be fitted the correct way round when the tool is supplied, we recommend that you check its orientation before fitting the nose equipment. The slightly concave end of the cursor should point towards the front of the tool as shown in the illustration.

To reverse the orientation of the cursor, follow these steps:

Extreme caution must be exercised when undertaking the following procedure. Care must be taken to avoid the barrel and protruding mandrel.

- Remove the Nose Assembly if there is one.
- Insert an empty mandrel fully into the tool.
- Close the Tail Jaws **32**, by switching on the tail jaw switch (items **18** and **19**).
- The cursor will pop out of the barrel after a short delay.
- Open the Tail Jaws **32**, by switching off the tail jaw switch (items **18** and **19**), this will release the mandrel.
- Remove the cursor from the mandrel and insert the cursor into the barrel.



4.3 LOADING AND RELOADING THE TOOL

IMPORTANT

The procedure for loading the tool and for fitting the nose equipment to the tool is integral.

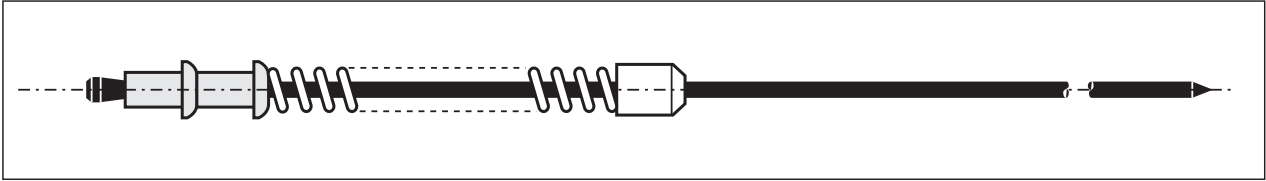
When ordering a complete tool or system you will normally be supplied with all the nose equipment required for the fastener to be placed.

If you have been supplied with a nose jaw, mandrels and mandrel follower springs proceed with loading the tool and fitting the nose equipment as shown below.

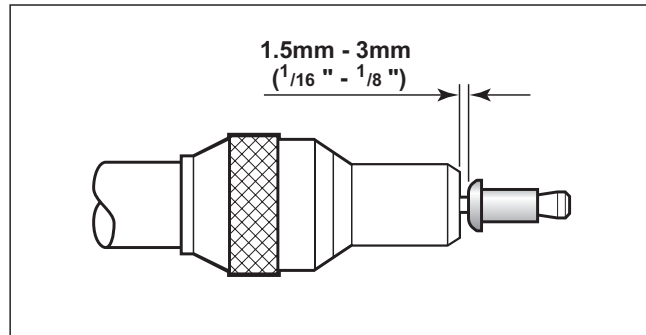
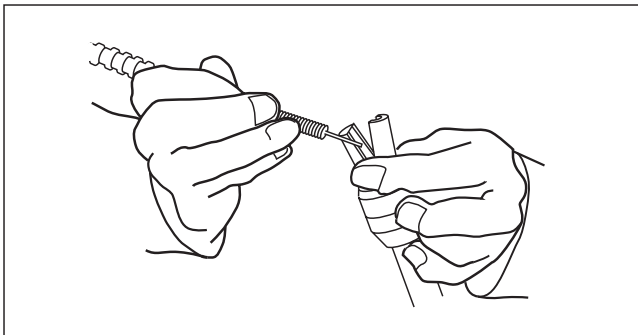
Item numbers in **bold** refer to the general assembly and parts list for the 07536-02200 Tool on pages 18-19.

Loading the Tool

- Connect the air supply to the tool.
- Open Tail Jaws **32** which grip the mandrel, by switching off the tail jaw switch (items **18** and **19**).
- Screw selected nose jaws onto Barrel **44** of the tool.
- * Insert a mandrel into the tail end of the fasteners through the paper pod.
- Slide the mandrel follower spring onto the mandrel ensuring correct orientation.



- Gripping the tail end of the mandrel, tear off the paper pod from around the fasteners.
- Open the nose jaws either by rotating the outer ring on Cam operated jaws or by pushing outwards on the jaw ends, as illustrated below left.
- Insert the previously assembled mandrel, mandrel follower spring and fasteners into the nose jaws until the first fastener to be placed is protruding from the nose jaw.
- Close the nose jaws and adjust so that the first fastener protrudes by 1.5mm - 3mm ($1/16''$ to $1/8''$), as shown in the illustration below right.
- Close the Tail Jaws **32** to ensure the mandrel is gripped, by switching on the tail jaw switch (items **18** and **19**).



Re-loading the Tool

- Open Tail Jaws **32** of tool, by switching off the tail jaws (items **18** and **19**).
- Open the nose jaws and pull the empty mandrel and mandrel follower spring out of the tool.
- Reload the tool by following the above instructions, starting at stage •*.

Setting the Tool - Adjustable Nose Assemblies Only

Insert the previously assembled mandrel (see Loading the Tool •*) or the disposable mandrel against the stop within the Tail Jaw Piston Assembly **60**.

While holding the mandrel, close the Tail Jaws **32**, which grip the mandrel, by switching on the tail jaw switch (**18** and **19**).

Screw the lock nut onto the Barrel **44** of the tool.

Rotate the nose assembly onto the Barrel **44**.

Adjust the nose assembly so that the first fastener protrudes by 1,5mm-3mm ($1/16''$ - $1/8''$), as shown in the illustration on page 11.

Tighten the lock nut against the nose assembly to prevent the nose jaw assembly from moving.

Re-loading the Tool

Open the tail jaws of the tool, by switching off the tail jaw switch (**18-19**).

Open the jaws and pull the empty mandrel and follower spring out of the tool.

Insert the new mandrel against the stop within the too, and close the Tail Jaws **32** which grip the mandrel, by switching on the tail jaw switch (**18** and **19**).

Close the Tail Jaws **32**.

4.4 OPERATING PROCEDURE**IMPORTANT**

You must check that the cursor orientation and the nose equipment are correct before attempting to operate the tool.

- Push the fastener, protruding from the nose jaws, fully into the application holes ensuring that the tool is held square.
- Operate the trigger without releasing - the mandrel head is pulled through the fastener, forming the fastener into the application.
- Remove the tool.
- Release the trigger. The next fastener will be automatically presented through the nose jaws, ready for placing.

5. SERVICING THE TOOL

Regular servicing should be carried out and a comprehensive inspection performed annually or every 500,000 cycles, whichever is sooner.

IMPORTANT

**The employer is responsible for ensuring that tool maintenance instructions are given to the appropriate personnel.
The operator should not be involved in maintenance or repair of the tool unless properly trained.**

5.1 PNEUMATIC CONTROL BOX

IMPORTANT

**Under no circumstances must the pneumatic box be opened. The box is a closed item.
The internal adjustments are preset and must not be altered or tampered with.
Only Authorised STANLEY Engineered Fastening personnel may dismantle this control box.**

▲ CAUTION: Never use solvents or other harsh chemicals for cleaning the non-metallic parts of the tool. These chemicals may weaken the materials used in these parts.

5.2 DAILY

- Daily, before use or when first putting the tool into service. Pour a few drops of clean lubricating oil into the air inlet of the intensifier if no lubricator is fitted on air supply. If the tool is in continuous use, the air hose should be disconnected from the main air supply and the tool lubricated every two to three hours.
- Check for air and oil leaks. If damaged, hoses and couplings should be replaced.
- If there is no filter on the pressure regulator, bleed the airline to clear it of accumulated dirt or water before connecting the air hose to the intensifier. If there is a filter, drain it.
- Check that the nose equipment is correct.
- Check mandrels regularly for signs of wear or damage monitoring the number of placings (read the safety instructions on page 4-6).

5.3 WEEKLY

- Conduct the full "Daily" procedures as described above.
- Remove, inspect, clean and grease the Tail Jaws (refer to "Tail Jaw Cylinder" in the "Maintenance Section" page 16).
- Check oil level in the intensifier Unit reservoir is approximately 12mm (1/2") below the transparent cover plate.

5.4 MOLY LITHIUM GREASE EP 3753 SAFETY DATA

Grease can be ordered as a single item, the part number is shown in the Service Kit page 14.

First Aid

SKIN:

As the grease is completely water resistant it is best removed with an approved emulsifying skin cleaner.

INGESTION:

Ensure the individual drinks 30ml Milk of Magnesia, preferably in a cup of milk.

EYES:

Irritant but not harmful. Irrigate with water and seek medical attention.

Fire

FLASH POINT: Above 220°C.

Not classified as flammable.

Suitable extinguishing media: CO₂, Halon or water spray if applied by an experienced operator.

Environment

Scrape up for burning or disposal on approved site.

Handling

Use barrier cream or oil resistant gloves.

Storage

Away from heat and oxidising agent.

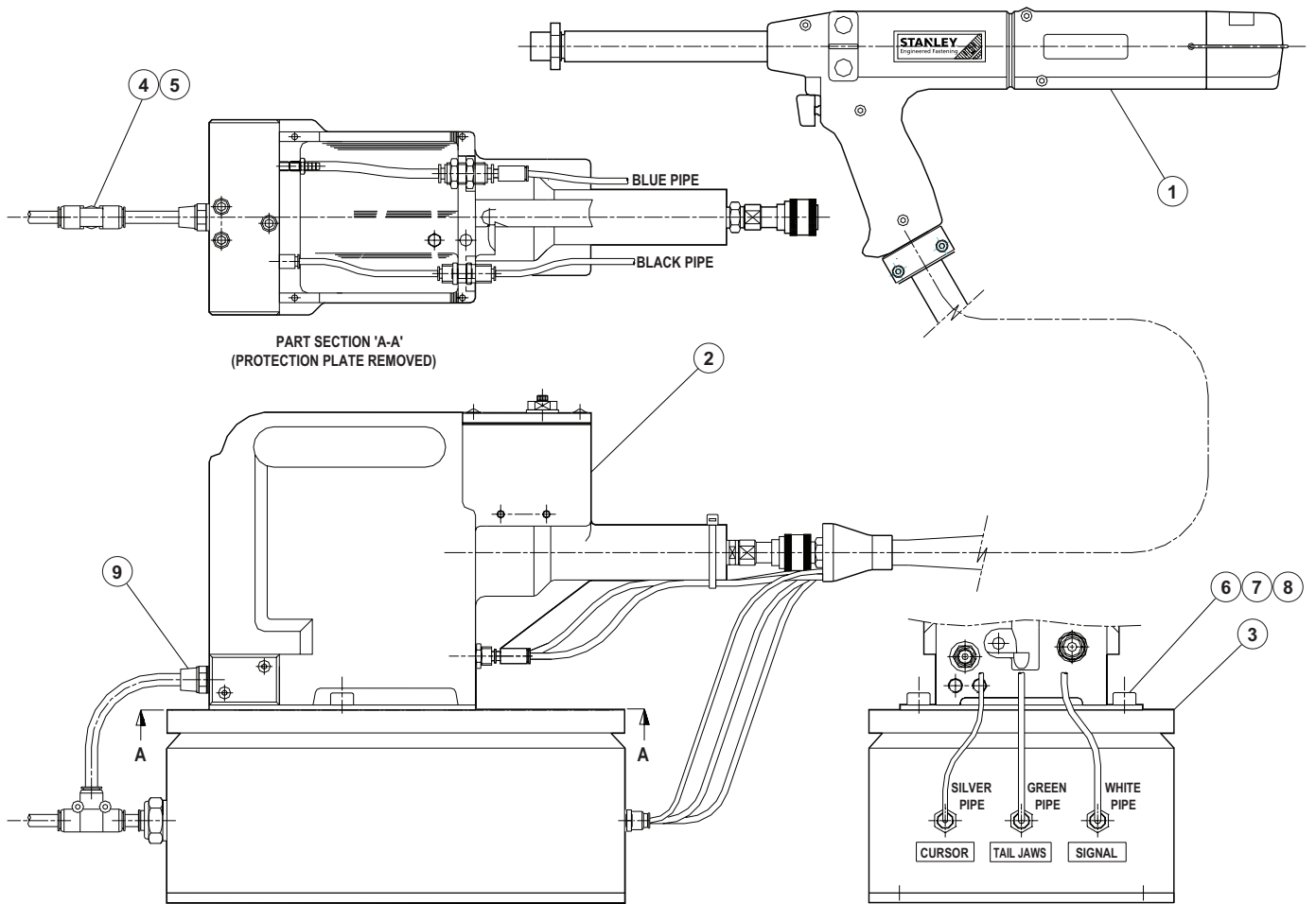
5.5 SERVICE KIT

For all servicing we recommend the use of the Service Kit (part number 07900-05300).

SERVICE KIT					
ITEM PART N°	DESCRIPTION	N° OFF	ITEM PART N°	DESCRIPTION	N° OFF
07900-00157	CIRCLIP PLIERS	1	07900-00352	SEAL REMOVAL HOOK	1
07900-00006	SPATULA	1	07900-00710	BARREL PLUG REMOVAL SPANNER	1
07900-00446	EXTRACTOR	1	07900-00725	BULLET	1
07900-00603	BARREL VICE JAWS	1	07900-00243	SCREWDRIVER	1
07900-00520	3/8" ROD	1	07900-00717	INTENSIFIER SPANNER	1
07900-00521	1/4" ROD	1	07900-00013	1/8" ALLEN KEY	1
07900-00602	'O' RING ASSEMBLY BULLET	1	07900-00617	LOCTITE® MULTI-GASKET 574 50ml PACK	1
07900-00595	18mm SPANNER	1	07900-00469	2.5mm ALLEN KEY	1
07900-00434	32mm SPANNER	1	07900-00351	3mm ALLEN KEY	1
07900-00237	3/8" × 5/16" B.S.W. SPANNER	1	07900-00224	4mm ALLEN KEY	1
07900-00012	9/16" × 5/8" SPANNER	1	07900-00225	5mm ALLEN KEY	1
07900-00008	7/16" × 1/2" SPANNER	1	07992-00020	80g TIN MOLY LITHIUM GREASE EP 3753	1

Note: Spanner sizes are measured 'across flats' unless otherwise specified.

5.6 AIR CURSOR TOOL, INTENSIFIER & CONTROL BOX ASSEMBLY 07536-02100



ITEM	PART No	DESCRIPTION	No OFF
1	07536-02200	AIR CURSOR HAND TOOL	1
2	07531-02200	INTENSIFIER TOOL	1
3	07007-02024	AIR CURSOR CONTROL BOX	1
4	07005-10071	T CONNECTOR	1
5	07005-10072	8 MM TUBING (2.50 m)	1
6	74405-12080	MODIFIED M8 NUTSERT	8
7	07001-00469	M8 × 15 SOCKET CAP HEAD SCREW	2
8	07002-00105	M8 WASHER	4
9	07005-01573	MALE CONNECTOR 8MM TUBE	1
10	07005-01977	MALE/FEMALE REDUCER 6MM /4MM	1

6. MAINTENANCE

Every 500,000 cycles the tool should be completely dismantled and new components should be used where worn, damaged or when recommended. All 'O' rings and seals should be renewed and lubricated with Moly Lithium grease EP 3753 before assembling.

IMPORTANT

Safety Instructions appear on page 4.

**The employer is responsible for ensuring that tool maintenance instructions are given to the appropriate personnel.
The operator should not be involved in maintenance or repair of the tool unless properly trained.**

The airline must be disconnected before any servicing or dismantling is attempted, unless specifically instructed otherwise.

It is recommended that any dismantling operation be carried out in clean conditions.

Prior to dismantling the tool, you will need to remove the nose equipment.

For total tool servicing we advise that you proceed with the dismantling of sub-assemblies in the order shown below after having disconnected the hydraulic hose from the intensifier unit, air lines from the intensifier and control box, thus separating the pistol unit from the intensifier unit.

The potentially dangerous substances that could have deposited on the machine as a result of work processes must be removed before maintenance.

6.1 DISMANTLING 07536-02200

TAIL JAW CYLINDER

- Manually flip the retaining Clip **53** up and remove the End Cap **59**.
- Using an Allen Key*, remove one Cap Head Screw **6** ensuring that any trapped air in the tail jaw cylinder is exhausted. Remove the second Cap Head Screw **6**.
- Pull out Rear Plug **50**. **Note:** To aid extraction there is a 5mm thread on the rear face of the plug.
- Extract air tail jaw components, comprising Tail Jaw Piston Assembly **60**, Stop **52**, 'O' Ring **12** and Jaws **32**.
- Extract the remaining components, comprising of Spring **36** and Jaw Housing **42**.
- Free length of spring **36** should be 38.1mm (1.5"). Replace if necessary.
- Remove piston assembly seal 'O' Ring **11**.
- Disconnect Air Cursor Concertina Tube (Green) **49** from Elbow Connector **22**.
- Disconnect Air Cursor Concertina Tube (Silver) **38** from Barb Elbow **30**.
- Using an Allen Key*, remove all five handle moulding securing Screws **3**, **4** and all four Nuts **8** from the tool handle.
- Grip Barrel **44** in a vice using soft jaws* to avoid damage.
- Using a box spanner*, unscrew Barrel Plug **46**, preventing Barrel **44** turning by using an open ended spanner*.
- Pull the Tail Jaw Cylinder **47** from the tool.
- Remove 'O' Ring **14**, Rubbing Strip **41** and Barrel Return Spring **37**.
- Coat the face of Tail Jaws **32** with Moly Lithium grease, in contact with Jaw Housing **42**, before assembling.
- Assemble in reverse order of dismantling.

HYDRAULIC PISTON

- Remove Tail Jaw Cylinder **47** as described earlier.
- Grip Body **45** in vice using soft jaws* to avoid damage, undo Stroke Limiter **40**.
- Using an Allen Key*, loosen Screw **5** that is clamping the Switch Block **54** to the barrel **44**.

* Refers to items included in the 0753 MkII Service Kit. For complete list see page 14.
Item numbers in **bold** refer to the general assemblies and parts lists on pages 18-19.

- Hold the tool firmly and pull the Barrel **44** from the Body **45** (a small quantity of hydraulic oil may be ejected from inside the head assembly).
- Remove Piston **39** carefully so as not to damage head bore.
- Remove Seal **16**.
- Seal **17** is difficult to remove without damaging, but can remain in place during cleaning (provided it is not affected by cleaning process). If however, Seal **17** requires renewing proceed as follows:
- Using spatula*, prise out Seal **17** from Body **45**, taking care not to damage body cavity and bores. The removed Seal **17** MUST be discarded.
- To replace Seal **17**, unscrew Bleed Plug Assembly **43** until inside face is level with internal bore of the Body **45**. This will provide a smooth passage for insertion of a new Seal **17** through rear of Body **45**.
- Ensure the Seal **17** is well greased and the correct way round with the open end of the seal facing the rear tail jaws.
- Complete assembly in reverse order of dismantling.

TRIGGER ASSEMBLY

- To dismantle/service assembly, remove covers from the tool as described earlier.
- Disconnect all air hoses from assembly, taking care not to damage them. Remove assembly.
- Using a spanner*, unscrew the Retainer **34** and remove. Take care to keep the Spring **31**.
- Prise off the 'O' Ring **10** taking care not to damage the Spindle **35** and Retainer **34** seatings.
- Clean and re-assemble using a new 'O' Ring **10**.
- Check length of Spring **31** which must be 12.7mm (0.5") free length – replace if necessary.
- Assembly in reverse order of dismantling.

TAIL JAW ON/OFF VALVE

- The unit is designed so that minimum of servicing is required during the life of the tool.
- If it is necessary to dismantle the valve, proceed as follows:
- Remove Trigger Housing **56** as described in section "Hydraulic Piston".
- Using a screwdriver*, carefully remove the Chrome Star-lock Washer **18** from Air Tail Jaw Spool **55** and discard washer.
- Extract Air Tail Jaw Spool **55** from Switch Block **54**.
- Taking care not to damage the Air Tail Jaw Spool **55**, remove the 'O' Rings **12**.
- Clean spool and refit new 'O' Rings **12** using assembly bullet* and insert into Switch Block **54**, noting its orientation.
- Fit New Chrome Star-lock Washer **18** by clamping in a soft jaw vice to prevent damage. DO NOT USE UNDUE FORCE.
- Complete assembly in reverse order of dismantling.

HANDLE & END CAP

- Clean and inspect mouldings for cracks or other damage.

CURSOR

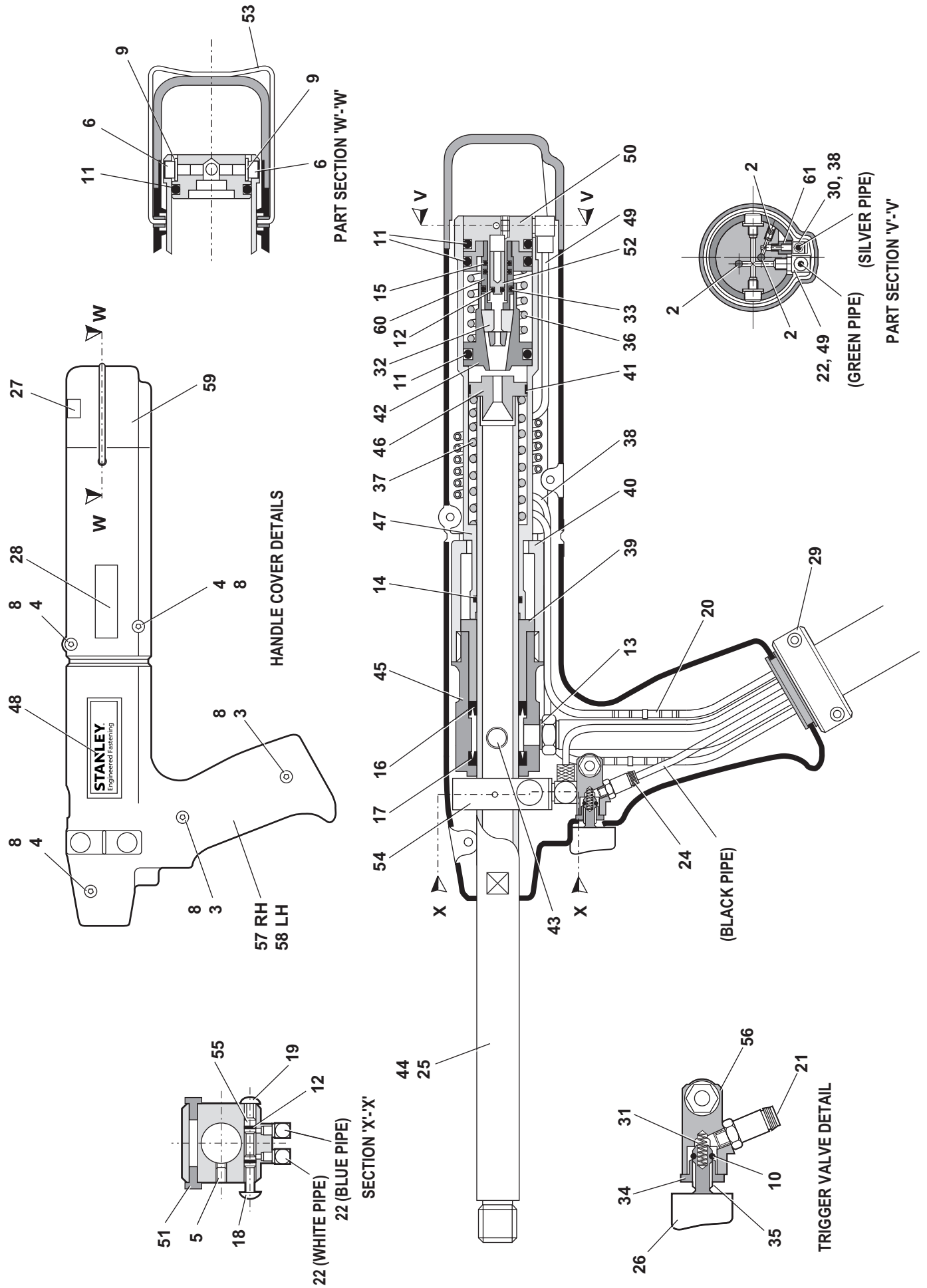
- Clean and oil cursor assembly occasionally with a little light oil.

IMPORTANT

**Check the tool against daily and weekly servicing.
Priming is ALWAYS necessary after the tool has been dismantled and prior to operating.**

* Refers to items included in the 0753 MkII Service Kit. For complete list see page 14.
Item numbers in **bold** refer to the general assemblies and parts lists on pages 18-19.

6.2 GENERAL ASSEMBLY OF BASE TOOL 07536-02200



6.3 PARTS LIST FOR BASE TOOL 07536-02200

07536-02200 PARTS LISTS									
ITEM	PART N°	DESCRIPTION	QTY	SPARES	ITEM	PART N°	DESCRIPTION	QTY	SPARES
1	07007-00392	CABLE TIE (NOT SHOWN)	1	-	34	07220-00803	RETAINER	1	-
2	07001-00499	M3×5 LONG SOCKET SET SCREW	3	-	35	07241-00208	SPINDLE	1	-
3	07001-00262	M4×22 LONG SOCKET HEAD CAP SCREW	1	-	36	07154-00404	SPRING	1	-
4	07001-00401	M4×10 LONG SOCKET HEAD CAP SCREW	4	-	37	07490-03002	BARREL RETURN SPRING	1	-
5	07001-00404	M5×6 LONG SOCKET HEAD SET SCREW	1	-	38	07536-02211	3MM AIR CURSOR CON-CERTINA TUBE - SILVER	1	-
6	07001-00504	M4×6 LONG SOCKET HEAD CAP SCREW	2	2	39	07536-00203	PISTON	1	-
7					40	07530-00204	STROKE LIMITER	1	-
8	07002-00134	M4 HEX NUT	4	-	41	07530-00206	RUBBING STRIP	1	1
9	07002-00153	M4 WASHER [PLASTIC]	2	-	42	07536-00208	JAW HOUSING	1	-
10	07003-00022	'O' RING	1	-	43	07530-00500	BLEED PLUG ASSEMBLY [ITEMS 62 TO 65] ●	1	-
11	07003-00113	'O' RING	3	3	44	07536-02201	BARREL	1	-
12	07003-00121	'O' RING	3	3	45	07530-02202	BODY	1	-
13	07003-00142	1/8" BSP BONDED SEAL	1	1	46	07530-02205	BARREL PLUG	1	-
14	07003-00167	'O' RING	1	1	47	07536-02207	TAIL JAW CYLINDER	1	-
15	07003-00386	'O' RING	2	-	48	07530-02210	LABEL	2	-
16	07003-00236	SEAL [DYNAMIC]	1	1	49	07536-02212	4MM AIR CURSOR CON-CERTINA TUBE - GREEN	1	-
17	07003-00237	SEAL [STATIC]	1	-	50	07536-02213	REAR PLUG	1	-
18	07004-00058	1/8" STARLOCK WASHER CHROME	1	-	51	07530-00310	BLANKING PLUG	2	-
19	07004-00059	1/8" STARLOCK WASHER BLACK	1	-	52	07536-02214	STOP	1	-
20	07005-10073	3MM CONNECTOR	1	-	53	07530-02220	CLIP	1	-
21	07005-01357	COLLET TYPE CON-NECTOR	1	-	54	07530-02301	SWITCH BLOCK	1	-
22	07005-01571	ELBOW CONNECTOR	3	-	55	07530-02302	AIR TAIL JAW SPOOL	1	-
23	07536-02216	LOCKNUT	1	-	56	07530-02311	TRIGGER HOUSING	1	-
24	07005-10074	2MM CONNECTOR	1	-	57	07536-02601	HANDLE MOULDING AS-SEMBLY RIGHT HAND	1	-
25	07007-00017	DUST CAP	1	-	58	07536-02602	HANDLE MOULDING AS-SEMBLY LEFT HAND	1	-
26	07007-00300	TRIGGER BUTTON	1	-	59	07530-02603	END CAP	1	-
27	73200-02022	SAFETY LABEL	1	-	60	07536-02800	TAIL JAW PISTON ASSEM-BLY	1	-
28	07007-01504	CE MARK LABEL	1	-	61	07536-02215	FITTING ADAPTER	1	-
29	07008-00438	FLEXIBLE HOSE ASSEM-BLY	1	-	62	07003-00142	●BONDED SEAL (NOT SHOWN)	1	1
30	07005-01323	M3 BARB ELBOW	1	-	63	07003-00194	●BONDED SEAL (NOT SHOWN)	1	1
31	07125-00215	SPRING	1	-	64	07001-00442	●SCREW (NOT SHOWN)	1	1
32	07151-00403	TAIL JAWS	1 pair	2	65	07530-00501	●PLUG (NOT SHOWN)	1	-
33	07003-00016	'O' RING	1						

6.4 DISMANTLING INSTRUCTIONS

- When dismantling the intensifier assembly, first disconnect the air supply hose to intensifier inlet Connector **22**.
- Using an Allen Key* undo four Screws **27** and remove Protection Plate **24**.
- Disconnect the trigger hose **47** from the intensifier Valve **43** or **48** by depressing the outlet collet and withdrawing the hose.
- Remove Cover Plate **4** and Gasket **35** by removing Screws **37** and Washers **36** using Allen Key*.
- Ensure that gasket is not damaged to ensure a proper seal on assembly.
- Invert intensifier assembly and drain oil from reservoir into a suitable container.
- Remove Quick Release Connector **32** together with Connector **31** and Seals **33** with suitable spanner*.
- Remove intensifier Valve **43** or **48** by removing the fixing screws with a suitable spanner taking care to retain 'O' Ring **21** located in the Intensifier Body Casting.
- Remove Screw **19** using a suitable Allen Key* and remove Silencer Cover **16**, Foam Silencer **15**, Spacer **18** and Retaining Plate **20**.
- Pull off the 6mm Plastic Tube **41** from Vacuum Connectors **42**.
- From the base of the intensifier insert a 3mm Allen Key * through the two holes and unscrew the Vacuum Connectors **42**. Note:
 - Care must be taken as the vacuum connectors are locked and sealed in place using Loctite® 574.
 - If difficult to remove, the vacuum connectors can be drilled out using a $\frac{3}{16}$ " or 4.7mm diameter drill.
- To reassemble the Vacuum Connectors **42**, the following procedure must be followed: -
 - Soak the vacuum connectors in a suitable primer, i.e. Perma Bond A905
 - Place a drop of Loctite® 574 in the intensifier threaded hole.
 - From the base of the intensifier insert the Allen Key * through the hole. Ensure that the Allen Key * is free from Loctite® 574 before inserting into the vacuum connector.
 - Rotate the Allen Key while applying Loctite® 574 to the base of the vacuum connector.
 - Screw the Vacuum connector into the intensifier, ensuring that there is sufficient Loctite® 574 at the base of the fitting such the thread is not visible.
- Using a screwdriver, carefully remove internal Retaining Ring **14**. Clean and inspect groove for sign of damage.
- Using Extractor*, insert male threaded end into End Cover **12** and withdraw it along with intensifier Sleeve **28** and 'O' Rings **10** and **13**.
- Insert Rod* through the connector orifice at the front of the intensifier body and tap out Piston Rod **9** and Piston Assembly.
- Using a suitable Allen Key*, unscrew two Screws **25** and remove End Cover **12** from intensifier Sleeve **28**.
- Remove Seal Plug **7** with spanner*.
- Insert rod* through connector orifice at the front of the intensifier body and push out Seal Housing **5** and associated 'O' rings and lip seals.
- Remove Valve Housing Assembly **34** from the main body with a suitable spanner*. Clean by blowing through with a low-pressure air jet.
- Remove Piston Rod **9** from intensifier Air Piston **11** by gripping the first 20 mm (3/4") of the rod in a vice fitted with soft jaws, taking care not to damage or mark the working surface.
- Unscrew locking Nut **17** with a suitable spanner*.
- Assemble in the reverse order of dismantling, observing the following:
 - Clean all parts and renew all 'O' rings.
 - Lubricate all seals using Moly Lithium grease.
 - Valve Housing Assembly **34** must be refitted using a thread sealing adhesive.

* Refers to items included in the 0753 MkII Service Kit. For complete list see page 14.
Item numbers in **bold** refer to the illustration and parts list opposite.

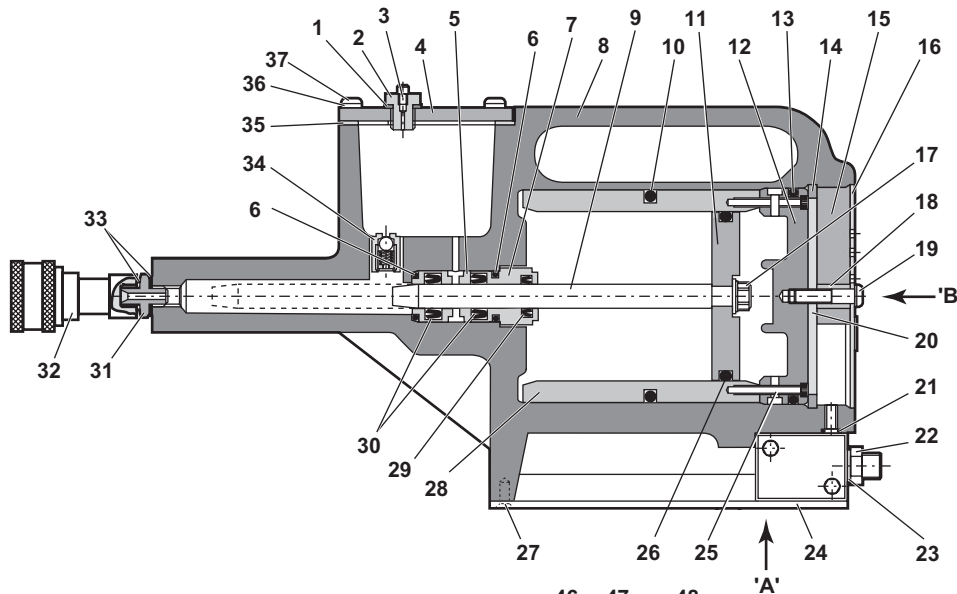
- Assemble the Piston Assembly using a new Nut **17**.
- End Cover **12** must be fitted correctly inside Retaining Ring **14**. The tool must not be operated if the end cover has been omitted.

IMPORTANT
Priming is ALWAYS necessary after the tool has been dismantled and prior to operating.

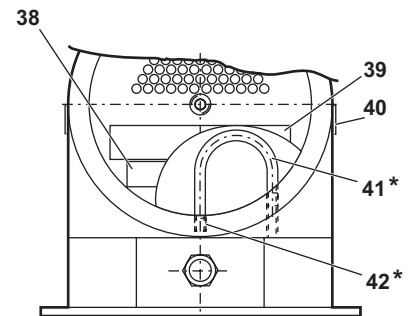
6.5 PROTECTING THE ENVIRONMENT

Assure conformity with applicable disposal regulations. Dispose all waste products at an approved waste facility or site so as not to expose personnel and the environment to hazards.

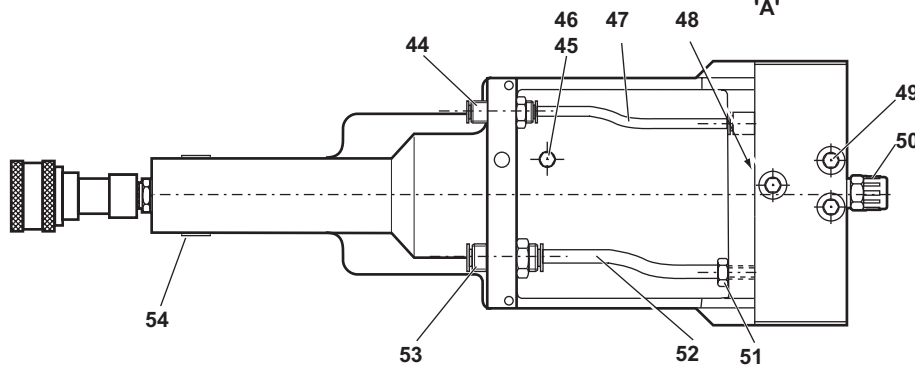
6.6 INTENSIFIER 07531-02200



Note
 * Some units will not include these items (The required link is achieved via internal porting).

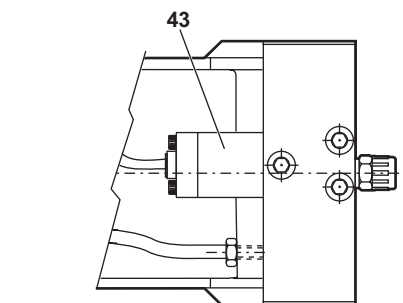


VIEW ON ARROW 'B'



VIEW ON ARROW 'A'

VIEW ILLUSTRATING FESTO VALVE



VIEW ILLUSTRATING COMPAIR VALVE

* Refers to items included in the 0753 MkII Service Kit. For complete list see page 14. Item numbers in **bold** refer to the illustration and parts list opposite.

07531-02200 PARTS LIST									
ITEM	PART N°	DESCRIPTION	QTY	SPARES	ITEM	PART N°	DESCRIPTION	QTY	SPARES
1	07003-00037	SEAL	1	1	28	07531-00201	SLEEVE	1	-
2	07240-00211	FILLER SCREW	1	-	29	07003-00337	LIP SEAL	1	1
3	07001-00418	BLEED SCREW	1	1	30	07003-00336	LIP SEAL	2	2
4	07240-00210	COVER PLATE	1	-	31	07005-00406	CONNECTOR	1	-
5	71420-02006	SEAL HOUSING	1	-	32	07005-00759	QUICK RELEASE CON-NECTOR	1	-
6	07003-00153	'O' RING	2	-	33	07003-00142	SEAL	2	1
7	71420-02007	SEAL PLUG	1	-	34	07240-00400	VALVE HOUSING AS-SEMBLY	1	-
8	71420-02300	BODY ASSEMBLY	1	-	35	07240-00209	GASKET	1	1
9	71420-02008	PISTON ROD	1	-	36	07002-00073	WASHER	4	1
10	07003-00182	'O' RING	1	1	37	07001-00554	SCREW	4	1
11	07531-00202	AIR PISTON	1	-	38	07007-01504	LABEL	1	-
12	07531-00204	END COVER	1	-	39	07240-00217	LABEL	1	-
13	07003-00183	'O' RING	1	1	40	07531-00205	LABEL	2	-
14	07004-00069	RETAINING RING	1	1	41	07005-00596	* 6mm PLASTIC TUBE	-	-
15	07240-00213	FOAM SILENCER	1	1	42	07245-00103	* VACUUM CONNECTOR	2	-
16	07240-00214	SILENCER COVER	1	-	43	07005-00590	COMPAIR VALVE	1	1
17	07002-00017	NUT	1	1	44	07005-01431	BULKHEAD CONNECTOR	1	1
18	07240-00215	SPACER	1	-	45	07005-00668	M5 PLUG	1	-
19	07001-00417	SCREW	1	1	46	07005-00670	M5 SEALING RING	1	-
20	07240-00216	RETAINING PLATE	1	-	47	07005-01084	4mm PLASTIC TUBE (150mm)	-	-
21	*07003-00042	'O' RING	1	1	48	07005-01524	FESTO VALVE	1	-
22	07005-00041	CONNECTOR	1	-	49	07001-00176	SCREW	3	-
23	07003-00065	WASHER	1	-	50	07007-00292	1/4" BSP REDCAP	1	-
24	07240-00220	PROTECTION PLATE	1	-	51	07005-00647	CONNECTOR	1	-
25	07001-00375	SCREW	2	-	52	07005-01085	6mm PLASTIC TUBE (150mm)	-	-
26	07003-00238	'O' RING	1	1	53	07005-00855	BULKHEAD UNION	1	-
27	07001-00396	SCREW	4	-	54	73200-02022	SAFETY LABEL	1	-

7. PRIMING

Priming is ALWAYS necessary after the tool has been dismantled and prior to operating. It may also be necessary to restore the full stroke after considerable use, when the stroke may be reduced and fasteners are not fully placed by one operation of the trigger.

7.1 OIL DETAILS

The recommended oil for priming is Hyspin® VG32 and AWS 32 available in 0.5l (part number 07992-00002) or one gallon containers (part number 07992-00006). Please see safety data below.

7.2 HYSPIN® VG32 AND AWS 32 OIL SAFETY DATA

First Aid

SKIN:

Wash thoroughly with soap and water as soon as possible. Casual contact requires no immediate attention. Short term contact requires no immediate attention.

INGESTION:

Seek medical attention immediately. DO NOT induce vomiting.

EYES:

Irrigate immediately with water for several minutes. Although NOT a primary irritant, minor irritation may occur following contact.

Fire

Suitable extinguishing media: CO₂, dry powder, foam or water fog. DO NOT use water jets.

Environment

WASTE DISPOSAL: Through authorised contractor to a licensed site. May be incinerated. Used product may be sent for reclamation.

SPILLAGE: Prevent entry into drains, sewers and water courses. Soak up with absorbent material.

Handling

Wear eye protection, impervious gloves (e.g. of PVC) and a plastic apron. Use in well ventilated area.

Storage

No special precautions.

7.3 PRIMING PROCEDURE

IMPORTANT

DO NOT OPERATE THE TRIGGER WHILE THE BLEED SCREW IS REMOVED

All operations should be carried out on a clean bench, with clean hands in a clean area.

Ensure that the new oil is perfectly clean and free from air bubbles.

Care MUST be taken at all times, to ensure that no foreign matter enters the tool, or serious damage may result.

- Remove Screw **2** and Seal **1** from Plastic Cover plate **4** on the intensifier reservoir.
- Pour the priming oil into the reservoir until it is approximately 1/2" (12mm) from the top.
- Replace Screw **2** and Seal **1**.
- Connect the intensifier unit to the air supply. Remove screw from reservoir.
- With the 07536 pistol unit fitted to the intensifier unit and held below the level of the intensifier unit, unscrew Bleed Screw **64** from Bleed Plug Assembly **43** on the 07536 tool two turns and allow oil to flow out of the tool.
- When the oil runs freely and free of air bubbles, tighten the bleed screw.
- Top up the reservoir on the intensifier unit with priming oil.
- Cycle the tool until any air bubbles present in the oil are expelled into the oil reservoir.

Item numbers in **bold** refer to the general assemblies and parts lists pages 18-21.

8. FAULT DIAGNOSIS

SYMPTOM	POSSIBLE CAUSE	REMEDY	PAGE REF.
Tool will not place fastener	Low air pressure.	Increase air pressure	
	Lack of lubrication.	Lubricate tool at air inlet point	
	High broach load.	Check fastener grip and application hole size	
	Check for correct size mandrel.		
	Tail jaws switched off.	Switch on tail jaws	
	Air in hydraulic system.	See 'Priming Procedure'	23
	'Mandrel Slip' - jaws will not grip mandrel	Worn or dirty tail jaws.	Clean or renew as necessary
'Insufficient air pressure/volume.		Increase air pressure/volume	
'Tail jaw switch inoperable.		Replace switch	
'Air leaks to tail jaws.		Renew 'O' rings on piston 11	
Mandrel broken and not reaching tail jaws.		Replace mandrel	
Fault in pneumatic control box.		Contact Stanley Engineered Fastening personnel	
Jaws will not release mandrel	Dirty tail jaws or jaw housing.	Clean and lubricate	
	Faulty tail jaw switch.	Replace 'O' rings	
	Trapped air signal	Check pneumatic lines	
	Fault in pneumatic control box	Contact Stanley Engineered Fastening personnel	
Fasteners will not feed through nose jaws	Tail jaws not switched on.	Switch on tail jaws	
	Worn tail jaws.	Renew tail jaws	
	Cursor orientation incorrect.	Refit, ensuring correct orientation	
	Incorrect cursor	Fit correct cursor	
	Incorrect nose jaws.	Fit correct nose jaws	
	Mandrel follower spring not fitted.	Fit correct mandrel follower spring	
	Mandrel follower length	Fit correct mandrel follower	
	Incorrect gap between fastener head and nose jaws when loaded.	Set gap to 1.5mm - 3mm (1/16" - 1/8") See 'Loading the Tool'	11-12
	Cursor sticking.	Clean and oil cursor	
	worn air cursor	Renew cursor	
	Incorrect mandrel follower spring fitted.	Fit correct mandrel follower spring	
Worn or broken barrel return spring	Replace barrel return spring		
Excessive tail jaw wear	High broach load.	Check application hole size and thickness and fastener grip capability	
Feeding more than one fastener at a time	Mandrel slip.	Check as for 'Mandrel Slip', stage 2	
	Incorrect gap between fastener head and nose jaws when loaded	Set gap to 1.5mm - 3mm (1/16" - 1/8") See 'Loading the Tool' on page	11-12

Other symptoms or failures should be reported to your local Stanley Engineered Fastening authorised distributor or repair centre.

NOTES

9. EC DECLARATION OF CONFORMITY

We, **Stanley Engineered Fastening, Stanley House, Works Road, Letchworth Garden City, Hertfordshire, SG6 1JY UNITED KINGDOM**, declare under our sole responsibility that the product:

Description: **Hydro-Pneumatic Repetition Tool for Speed Rivets**

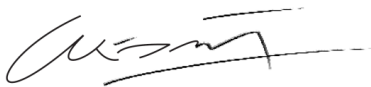
Model: **07536**

to which this declaration relates is in conformity with the following harmonized standards:

ISO 12100:2010	EN ISO 3744:2010
EN ISO 11202:2010	EN ISO 11148-1:2011
EN ISO 4413:2010	BS EN 28662-1:1993
EN ISO 4414:2010	EN ISO 20643:2008+A1:2012
EN ISO 28927-5:2009+A1:2015	ES100118-rev 17:2017

Technical documentation is compiled in accordance with Annex VII, in accordance with the following Directive: **2006/42/EC The Machinery Directive** (Statutory Instruments 2008 No 1597 - The Supply of Machinery (Safety) Regulations refers).

The undersigned makes this declaration on behalf of STANLEY Engineered Fastening



A. K. Seewraj

Director of Engineering, UK

Avdel UK Limited, Stanley House, Works Road, Letchworth Garden City, Hertfordshire, SG6 1JY UNITED KINGDOM

Place of issue: **Letchworth Garden City, UK**

Date of issue: **01-01-2021**

The undersigned is responsible for compilation of the technical file for products sold in the European Union and makes this declaration on behalf of Stanley Engineered Fastening.

Matthias Appel

Team Leader Technical Documentation

Stanley Engineered Fastening, Tucker GmbH, Max-Eyth-Str.1, 35394 Gießen, Germany



**This machinery is in conformity with
Machinery Directive 2006/42/EC**

STANLEY
Engineered Fastening

10. UK DECLARATION OF CONFORMITY

We, **Stanley Engineered Fastening, Stanley House, Works Road, Letchworth Garden City, Hertfordshire, SG6 1JY UNITED KINGDOM**, declare under our sole responsibility that the product:

Description: **Hydro-Pneumatic Repetition Tool for Speed Rivets**

Model: **07536**

to which this declaration relates is in conformity with the following designated standards:

ISO 12100:2010	EN ISO 3744:2010
EN ISO 11202:2010	EN ISO 11148-1:2011
EN ISO 4413:2010	BS EN 28662-1:1993
EN ISO 4414:2010	EN ISO 20643:2008+A1:2012
EN ISO 28927-5:2009+A1:2015	ES100118-rev 17:2017

Technical documentation is compiled in accordance with the Supply of Machinery (Safety) Regulations 2008, S.I. 2008/1597 (as amended).

The undersigned makes this declaration on behalf of STANLEY Engineered Fastening



A. K. Seewraj

Director of Engineering, UK

Avdel UK Limited, Stanley House, Works Road, Letchworth Garden City, Hertfordshire,
SG6 1JY UNITED KINGDOM

Place of issue: **Letchworth Garden City, UK**

Date of issue: **01-01-2021**



This machinery is in conformity with
Supply of Machinery (Safety) Regulations 2008,
S.I. 2008/1597 (as amended)

11.PROTECT YOUR INVESTMENT!

Stanley® Engineered Fastening BLIND RIVET TOOL WARRANTY

STANLEY® Engineered Fastening warrants that all power tools have been carefully manufactured and that they will be free from defect in material and workmanship under normal use and service for a period of one (1) year.

This warranty applies to the first time purchaser of the tool for original use only.

Exclusions:

Normal wear and tear.

Periodic maintenance, repair and replacement parts due to normal wear and tear are excluded from coverage.

Abuse & Misuse.

Defect or damage that results from improper operation, storage, misuse or abuse, accident or neglect, such as physical damage are excluded from coverage.

Unauthorized Service or Modification.

Defects or damages resulting from service, testing adjustment, installation, maintenance, alteration or modification in any way by anyone other than STANLEY® Engineered Fastening, or its authorized service centres, are excluded from coverage.

All other warranties, whether expressed or implied, including any warranties of merchantability or fitness for purpose are hereby excluded.

Should this tool fail to meet the warranty, promptly return the tool to our factory authorized service centre location nearest you. For a list of STANLEY® Engineered Fastening Authorized Service Centres in the US or Canada, contact us at our toll free number (877)364 2781.

Outside the US and Canada, visit our website **www.StanleyEngineeredFastening.com** to find your nearest STANLEY Engineered Fastening location.

STANLEY Engineered Fastening will then replace, free of charge, any part or parts found by us to be defective due to faulty material or workmanship, and return the tool prepaid. This represents our sole obligation under this warranty.

In no event shall STANLEY Engineered Fastening be liable for any consequential or special damages arising out of the purchase or use of this tool.

Register Your Blind Rivet Tool online.

To register your warranty online, visit us at

<https://www.stanleyengineeredfastening.com/support/warranty-registration-form>

Thank you for choosing a STANLEY® Engineered Fastening's Stanley Assembly Technologies Brand tool.

©2021 Stanley Black & Decker inc.
Всички права запазени.

Предоставената информация не може да бъде възпроизведена и/или оповестена по никакъв начин и чрез никакви средства (електронно или механично) без предварително изрично и писмено разрешение от STANLEY Engineered Fastening. Предоставената информация се основава на данните, известни в момента на пускането на пазара на този продукт. STANLEY Engineered Fastening провежда политика на постоянно усъвършенстване на продукта и следователно продуктите могат да бъдат променени. Предоставената информация е приложима за продукта, както се предлага от STANLEY Engineered Fastening. Ето защо, STANLEY Engineered Fastening не може да носи отговорност за вреди, причинени от отклонения от първоначалните спецификации на продукта.

Наличната информация е съставена много внимателно. Въпреки това, STANLEY Engineered Fastening няма да поеме никаква отговорност по отношение на каквито и да било грешки в информацията, нито за последствията от тях. STANLEY Engineered Fastening няма да приеме никаква отговорност за вреди, причинени от дейности, извършвани от трети лица. Работните наименования, търговските наименования, търговските марки и т.н., използвани от STANLEY Engineered Fastening, не трябва да се считат за свободни, съгласно законодателството по отношение на защитата на търговските марки.

1. ОПРЕДЕЛЕНИЯ ЗА БЕЗОПАСНОСТ	30
1.1 ПРАВИЛА ЗА ОБЩА БЕЗОПАСНОСТ.....	30
1.2 ОПАСНОСТИ ОТ ПРОЕКТИЛ.....	30
1.3 ОПАСНОСТИ ПРИ РАБОТА	31
1.4 ОПАСНОСТИ ОТ ПОВТОРЯЕМИ ДВИЖЕНИЯ.....	31
1.5 ОПАСНОСТИ ОТ АКЕСОРИ.....	31
1.6 ОПАСНОСТИ НА РАБОТНОТО МЯСТО	31
1.7 ОПАСНОСТИ ОТ ШУМ.....	32
1.8 ОПАСНОСТИ ОТ ВИБРАЦИИ	32
1.9 ДОПЪЛНИТЕЛНИ ИНСТРУКЦИИ ЗА БЕЗОПАСНОСТ ЗА ПНЕВМАТИЧНИ И ХИДРАВЛИЧНИ ИНСТРУМЕНТИ ...	32
2. СПЕЦИФИКАЦИИ.....	33
2.1 СПЕЦИФИКАЦИЯ ЗА ИНСТРУМЕНТ 07536	33
2.2 СПЕЦИФИКАЦИЯ ЗА 07531 УСИЛВАТЕЛ.....	33
3. ПРЕДНАЗНАЧЕНИЕ.....	34
3.1 РАЗМЕРИ НА ИНСТРУМЕНТА - МОДЕЛ 07536	34
4. ВЪВЕЖДАНЕ В УПОТРЕБА	35
4.1 ВЪЗДУШНО ПОДАВАНЕ.....	35
4.2 ВЪЗДУШНИ КУРСОРИ.....	36
4.3 ЗАРЕЖДАНЕ И ПРЕЗАРЕЖДАНЕ НА ИНСТРУМЕНТА.....	36
4.4 РАБОТНА ПРОЦЕДУРА	38
5. СЕРВИЗИРАНЕ НА ИНСТРУМЕНТА.....	39
5.1 ПНЕВМАТИЧНА КУТИЯ ЗА УПРАВЛЕНИЕ	39
5.2 ЕЖЕДНЕВНО.....	39
5.3 СЕДМИЧНО	39
5.4 ЛИТИЕВА ГРЕС MOLY ER 3753 ДАННИ ЗА БЕЗОПАСНОСТ.....	39
5.5 СЕРВИЗЕН КОМПЛЕКТ.....	40
5.6 ИНСТРУМЕНТ ЗА ВЪЗДУШЕН КУРСОР, УСИЛВАТЕЛ И КОНТРОЛНА КУТИЯ 07536-02100.....	41
6. ПОДДРЪЖКА.....	42
6.1 ДЕМОНТАЖ 07536-02200	42
6.2 ОБЩА СГЛОБКА НА ОСНОВНИЯТ ИНСТРУМЕНТ 07536-02200	45
6.3 СПИСЪК НА ЧАСТИ ЗА ОСНОВЕН ИНСТРУМЕНТ 07536-02200	46
6.4 ИНСТРУКЦИИ ЗА РАЗГЛОБЯВАНЕ.....	47
6,5 ЗАЩИТА НА ОКОЛНАТА СРЕДА.....	48
6.6 УСИЛВАТЕЛ 07531-02200	48
7. ГРУНДИРАНЕ	50
7.1 ИНФОРМАЦИЯ ЗА МАСЛОТО	50
7.2 ДАННИ ЗА БЕЗОПАСНОСТ ЗА МАСЛАТА HUSPIN® VG32 И AWS 32	50
7.3 ПРОЦЕДУРА НА ГРУНДИРАНЕ.....	50
8. ДИАГНОСТИКА НА НЕИЗПРАВНОСТ	51
9. ЕО ДЕКЛАРАЦИЯ ЗА СЪОТВЕТСТВИЕ.....	53
10. ДЕКЛАРАЦИЯ ЗА СЪОТВЕТСТВИЕ В ОБЕДИНЕНОТО КРАЛСТВО.....	54
11. ЗАЩИТЕТЕ СВОЯТА ИНВЕСТИЦИЯ!	55



Тази инструкция за експлоатация трябва да се прочете от всяко лице, което инсталира или работи с този инструмент, с особено внимание за следните правила за безопасност.



По време на работа на инструмента винаги носете устойчива на удар защита. Степента на необходимата защита трябва да бъде оценена за всяка употреба.



Използвайте защита на слуха в съответствие с инструкциите за служителите и според изискванията на правилата за безопасност на труда.



Използването на инструмента може да изложи ръцете на оператора на опасности, включително смачкване, удар, порязване, ожулване и горещина. Носете подходящи ръкавици за защита на ръцете.

1. ОПРЕДЕЛЕНИЯ ЗА БЕЗОПАСНОСТ

Дефинициите по-долу описват нивото на сериозност за всяка сигнална дума. Моля, прочетете ръководството и внимавайте за тези символи.

- ⚠ ОПАСНОСТ:** Показва неминуемо опасна ситуация, която ако не се избегне, ще доведе до смърт или опасно нараняване.
- ⚠ ПРЕДУПРЕЖДЕНИЕ:** Непосредствено опасна ситуация, която ако не бъде избегната, може да доведе до смърт или тежки наранявания.
- ⚠ ВНИМАНИЕ:** Показва една потенциално опасна ситуация, която, ако не се избегне, може да доведе до минимални или средни наранявания.
- ⚠ ВНИМАНИЕ:** Използван без символа за сигнал за безопасност показва потенциално опасна ситуация, която ако не бъде избегната, може да доведе до щети.

Неправилното функциониране или поддръжка на този продукт може да доведе до сериозни наранявания и материални щети. Прочетете и разберете всички предупреждения и инструкции за работа, преди да използвате тази техника. При използване на електрически инструменти, винаги трябва да се вземат основни предпазни мерки за безопасност за намаляване на риска от лично нараняване.

ЗАПАЗЕТЕ ВСИЧКИ ПРЕДУПРЕЖДЕНИЯ И ИНСТРУКЦИИ ЗА БЪДЕЩИ СПРАВКИ

1.1 ПРАВИЛА ЗА ОБЩА БЕЗОПАСНОСТ

- За множество опасности прочетете и разберете инструкциите за безопасност преди да инсталирате, експлоатирате, ремонтирате, поддържате, сменят аксесоарите или работите в близост до инструмента. Неспазването на това може да доведе до сериозни телесни наранявания.
- Само квалифицирани и обучени оператори трябва да инсталират, настройват или използват инструмента.
- ДА НЕ се използва извън предназначението според дизайна за поставяне на слепите нитове на STANLEY Engineered Fastening.
- Използвайте само части, крепежни елементи и аксесоари, препоръчани от производителя.
- НЕ изменяйте инструмента. Модификациите могат да намалят ефективността на мерките за безопасност и да увеличат рисковете за оператора. Всяко изменение на този инструмент, което се предприема от клиента е изцяло на негова отговорност и води до отпадане на всички приложими гаранции.
- Не изхвърляйте инструкциите за безопасност; дайте ги на оператора.
- Не използвайте инструмента, ако е повреден.
- Преди употреба, проверявайте за разместване или заклиняване на движещи се части, счупвания на части и всякакви други обстоятелства, които могат да се отразят върху работата на инструмента. При повреда, поправете инструмента, преди повторна употреба. Отстранете всеки регулиращ или гаечен ключ, преди употреба.
- Инструментите трябва да се проверяват периодично, за да се провери дали класифицирането и маркировките, изисквани от тази част от ISO 11148, са четливо отбелязани на инструмента. Работодателят/потребителят се свързва с производителя, за да получи резервни етикети за подмяна, когато е необходимо.
- Инструментът трябва да се поддържа в безопасно работно състояние по всяко време, и да се преглежда редовно за повреди и правилно функциониране от обучен персонал. Всяка процедура на разглобяване трябва да бъде извършвана само от обучен персонал. Не разглобявайте този инструмент, без предварителна справка с инструкциите за поддръжка.

1.2 ОПАСНОСТИ ОТ ПРОЕКТИЛ

- Изключете инструмента от въздушното подаване, преди извършване на всякакво техническо обслужване, опит за регулиране, монтаж или премахване на носовата сглобка или аксесоари.
- Имайте предвид, че повреда на детайла или аксесоарите или дори на самия поставен инструмент, може да генерира проектили с висока скорост.

- По време на работа на инструмента винаги носете устойчива на удар защита. Степента на необходимата защита трябва да бъде оценена за всяка употреба.
- Едновременно, трябва да се оцени и рискът за другите.
- Уверете се, че детайлът е здраво фиксиран.
- Проверете дали средствата за защита от изхвърляне на крепежен елемент и/или дорник са налични и работят.
- Предупреждавайте за възможно насилствено изхвърляне на дорници от предната част на инструмента.
- НЕ използвайте инструмент, който е насочен към човек(хора).

1.3 ОПАСНОСТИ ПРИ РАБОТА

- Използването на инструмента може да изложи ръцете на оператора на опасности, включително смачкване, удар, порязване, ожулване и горещина. Носете подходящи ръкавици за защита на ръцете.
- Операторите и обслужващият персонал трябва да могат физически да се справят с по-голямата част, теглото и мощността на инструмента.
- Дръжте правилно инструмента; бъдете готови да противодействате на нормални или резки движения и работете с двете си ръце.
- Пазете дръжките на инструмента сухи, чисти, и свободни от масло и смазка.
- Поддържайте балансирано положение на тялото и сигурна опора при работа с инструмента.
- Освободете устройството за пускане и спиране в случай на прекъсване на хидравличното захранване.
- Използвайте само смазочни материали, препоръчани от производителя.
- Трябва да се избягва контакт с хидравличната течност. За да се снижи до минимум възможността от обриви, в случай на евентуален контакт, трябва да се измиете добре.
- Информационни Листове за Безопасност на Материалите за всички хидравлични масла и смазочни материали са на разположение при поискване от доставчика на вашия инструмент.
- Избягвайте неподходящи пози, тъй като е вероятно в тези позиции да не можете да противодействате на нормалното или неочаквано движение на инструмента.
- Ако инструментът е фиксиран към устройство за окачване, уверете се, че фиксацията е сигурна.
- Внимавайте за риск от счупване или прищипване, ако носовото оборудване не е монтирано.
- НЕ работете с инструмента със свален носов корпус.
- Необходимо е осигуряване на достатъчно пространство за ръцете на оператора на инструмента, преди работа.
- При пренос на инструмента от място на място, дръжте ръцете си далеч от спусъка, за да се избегне случайно активиране.
- НЕ злоупотребявайте с инструмента като го изпускате или го използвате като чук.
- Трябва да се внимава особено с изтощените дорници, за да не се създадат опасни условия.

1.4 ОПАСНОСТИ ОТ ПОВТОРЯЕМИ ДВИЖЕНИЯ

- При използване на инструмента, операторът може да изпита дискомфорт в ръцете, раменете, шията или други части на тялото.
- Докато използва инструмента, операторът трябва да заеме удобна поза, като същевременно поддържа сигурна опора и избягва неудобни или небалансирани пози. Операторът трябва да промени позата по време на по-продължителни задачи; това може да помогне да се избегне дискомфорт и умора.
- Ако операторът изпитва симптоми като постоянен или повтарящ се дискомфорт, болка, пулсиране, болки, изтръпване, усещане за парене или скованост, тези предупредителни знаци не трябва да се игнорират. Операторът трябва да уведоми работодателя и да се консултира с квалифициран медицински специалист.

1.5 ОПАСНОСТИ ОТ АКЕСОРИ

- Изключете инструмента от подаването на въздух, преди да монтирате или извадите нос или аксесоара.
- Използвайте само размери и видове аксесоари и консумативи, препоръчани от производителя на инструмента; не използвайте други видове или размери аксесоари или консумативи.

1.6 ОПАСНОСТИ НА РАБОТНОТО МЯСТО

- Подхлъзвания, препъвания и падания са основни причини за наранявания на работното място. Внимавайте за хлъзгави повърхности, причинени от използването на инструмента, както и опасности от препъване, причинени от въздушния кабел или хидравличния маркуч.
- Продължете внимателно в непозната среда. Може да има скрити опасности, като електричество или други комунални линии.
- Инструментът не е предназначен за използване в потенциално експлозивна среда и не е изолиран срещу контакт с електричество.
- Уверете се, че няма електрически кабели, газови тръби и др., които могат да причинят опасност поради повреда при използване на инструмента.
- Обличайте се подходящо. Не носете висящи дрехи или бижута. Пазете косата, дрехите и ръкавиците си далеч от движещите се части. Висящите дрехи, бижутерия или дълги коси могат да бъдат захванати от движещи се части.
- Трябва да се внимава особено с изтощените дорници, за да не се създадат опасни условия.

1.7 ОПАСНОСТИ ОТ ШУМ

- Излагането на високи нива на шум може да причини трайни, деактивиращи загуби на слуха и други проблеми, като шум в ушите (звънене, бръмчене, свистене или бучене в ушите). Следователно оценката на риска и прилагането на подходящ контрол за тези опасности са от съществено значение.
- Подходящите контроли за намаляване на риска могат да включват действия, като шумозаглушаващи материали, за да се предотврати „звънене“ на детайлите.
- Използвайте защита на слуха в съответствие с инструкциите на работодателя и според изискванията на правилата за безопасност на труда.
- Работете и поддържайте инструмента, както е препоръчано в ръководството за употреба, за да предотвратите ненужно увеличаване на нивото на шума.

1.8 ОПАСНОСТИ ОТ ВИБРАЦИИ

- Излагането на вибрации може да причини увреждане на нервите и кръвоснабдяването на ръцете.
- Носете топли дрехи, когато работите в студени условия и дръжте ръцете си топли и сухи.
- Ако усетите изтръпване, болка или избелване на кожата на пръстите или ръцете, спрете да използвате инструмента, уведомете вашия работодател и се консултирайте с лекар.
- Където е възможно, поддържайте теглото на инструмента в стойка, обтегач или балансиращ механизъм, тъй като след това може да се използва по-лек захват за поддържане на инструмента.

1.9 ДОПЪЛНИТЕЛНИ ИНСТРУКЦИИ ЗА БЕЗОПАСНОСТ ЗА ПНЕВМАТИЧНИ И ХИДРАВЛИЧНИ ЕЛЕКТРОИНСТРУМЕНТИ

- Работното подаване на въздух не трябва да надвишава 7 бара (100 PSI).
- Въздухът под налягане може да причини тежки наранявания.
- Никога не оставяйте без наблюдение работещ инструмент. Изключете въздушния маркуч, когато инструментът не се използва, преди смяна на аксесоарите или при извършване на ремонт.
- НЕ позволявайте на отворите за отработен въздух на дорниковия колектор да сочат по посока на оператора или други лица. Никога не насочвайте въздуха към вас или други лица.
- Размахването на маркуча може да причини тежки наранявания. Винаги проверявайте за повредени или разхлабени маркучи и фитинги.
- Преди употреба, прегледайте въздухопроводите за щети, всички връзки трябва да бъдат защитени. Не изпускайте тежки предмети върху маркучите. Всяко рязко въздействие може да предизвика вътрешни повреди и да доведе до преждевременна повреда на маркуча.]
- Студеният въздух трябва да бъде насочен далеч от ръцете.
- Всеки път, когато се използват универсални усукани съединители (ноктови съединители), се монтират заключващи щифтове и се използват защитни кабели, за да се предпазят от евентуална повреда в свързването на маркуч към инструмент или маркуч към маркуч.
- НЕ повдигайте инструмента за поставяне за маркуча. Винаги използвайте дръжката на инструмента за поставяне.
- Вентилационните отвори не бива да бъдат блокирани или покрити.
- Дръжте мръсотията и чуждите тела далеч от хидравличната система на инструмента, тъй като това ще доведе до повреда на инструмента.
- Маслото под налягане може да причини тежки наранявания.
- Преди употреба, проверете хидравличните маркучи за повреди. Всички хидравлични връзки трябва да са чисти, напълно захванати и стегнати преди работа. Не изпускайте тежки предмети върху маркучите. Всяко рязко въздействие може да предизвика вътрешни повреди и да доведе до преждевременна повреда на маркуча.
- НЕ дърпайте и не движете агрегата на усилвателя, като използвате маркучите. Винаги използвайте дръжката на уреда.
- Използвайте само чисто масло и оборудване за пълнене.
- Могат да се използват само препоръчителни хидравлични течности.
- Максималната температура на хидравличната течност на входа е 100°C (212°F).

⚠ ПРЕДУПРЕЖДЕНИЕ: Дори да се появи малко износване при естественото и правилно използване на дорниците, естествено ще се получи малко износване и маркиране, те трябва редовно да се изследват за прекомерно износване и маркиране, като се обърне специално внимание на диаметъра на главата, областта на захващане на опасната челюст на дръжката или тежкото изпускане на дръжката и всякакво изкривяване на дорника. Дорниците, които се провалят по време на употреба, могат да напуснат инструмента насила. Отговорност на клиента е да гарантира, че дорниците се подменят преди прекомерни нива на износване и винаги преди максималния препоръчителен брой поставяния. Свържете се с вашия представител на STANLEY Engineered Fastening, който ще ви уведоми каква е тази цифра, като измерите натоварването на разтягането на вашето приложение с нашият калибриран тестов инструмент.

Политиката на STANLEY Engineered Fastening е за постоянно развитие и подобряване на продуктите и ние си запазваме правото да променяме спецификациите на всеки продукт без предварително известие.

2. СПЕЦИФИКАЦИИ

2.1 СПЕЦИФИКАЦИЯ ЗА ИНСТРУМЕНТ 07536

Въздушно налягане	Минимум - Максимум	5 - 7 бара (70 - 100 lbf/in ²)
Изисква се свободен обем въздух	@ 5,1 бара /75 lbf /in ²	2,6 литра (0,09 ft ³)
Ход	Минимум	25 мм (1 инча)
Сила на издърпване	@ 5,5 бара /80 lbf /in ²	3,89 kN (875 lbf)
Продължителност на цикъла	Приблизително	1 секунда
Тегло	Пистолет	1,2 кг (2,64 фунта)

2.2 СПЕЦИФИКАЦИЯ ЗА 07531 УСИЛВАТЕЛ

Въздушно налягане	Минимум - Максимум	5-7 бара (70-100 lbf/in ²)
Коефициент на усилване		32:1

Стойности на шума, определени съгласно кода за тест на шума ISO 15744 и ISO 3744.		07536
А-претеглено ниво на звукова мощност dB (A), L _{WA}	Колебание на шума: k _{WA} = 2.3 dB(A)	79.5 dB(A)
А-претеглено ниво на звуковото налягане на емисиите на работната станция dB (A), L _{PA}	Колебание на шума: k _{PA} = 2.3 dB(A)	68.5 dB(A)
С-претеглено пиково ниво на звуково налягане на емисиите dB(C), L _{PC} , пик	Колебание на шума: k _{PC} = 2.5 dB(C)	96.9 dB(C)
Стойностите на вибрациите се определят съгласно кода за вибрационен тест ISO 20643 и ISO 5349.		07536
Ниво на излъчваните вибрации, a _{hd} :	Колебание на вибрацията: k = 0.25 m/s ²	0.97 m/s ²
Декларирани стойности на излъчваните вибрации в съответствие с EN 12096		

3. ПРЕДНАЗНАЧЕНИЕ

Пневматичният инструмент 07536 е ръчен лек инструмент, предназначен за поставяне на 1/16" Avlug®, което го прави идеален за партидно или поточно сглобяване в голямо разнообразие от приложения във всички индустрии.

Ръчният инструмент и усилвателят са тествани като отделни елементи и комбинирани. Те трябва да се използват само заедно и за никакви други цели. Вижте "Пускане в експлоатация" на страница 35-38 за подробности за връзката.

Показани са номерата на частите за поръчка на пълен инструмент, но без носово оборудване.

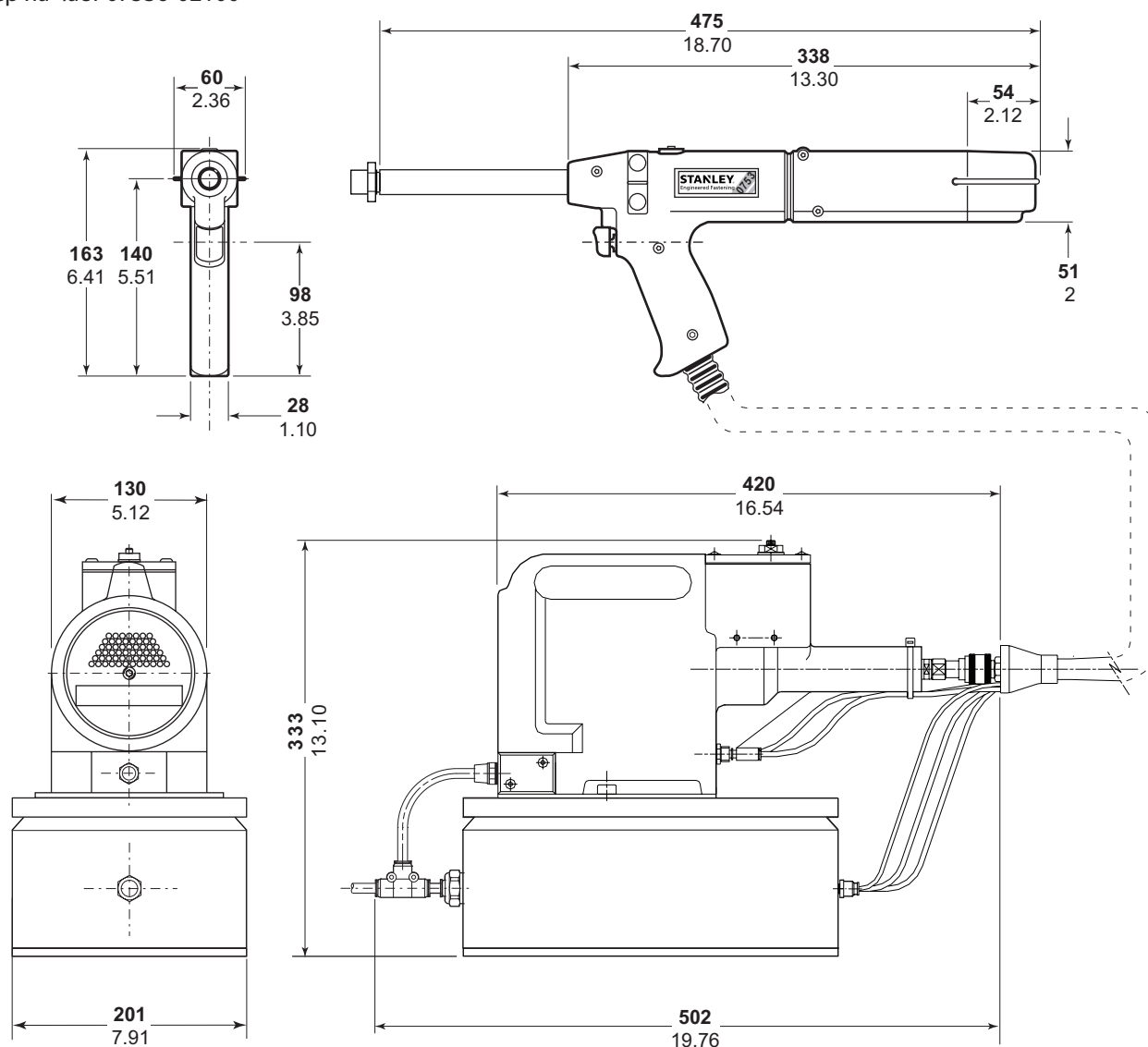
Номерът на инструмента за модел 07536 MkII е 07536-02200.

Вижте общите сглобки на страници 41-49.

НЕ използвайте в мокри условия или при наличието на запалителни течности или газове.

3.1 РАЗМЕРИ НА ИНСТРУМЕНТА - МОДЕЛ 07536

Номер на част 07536-02100



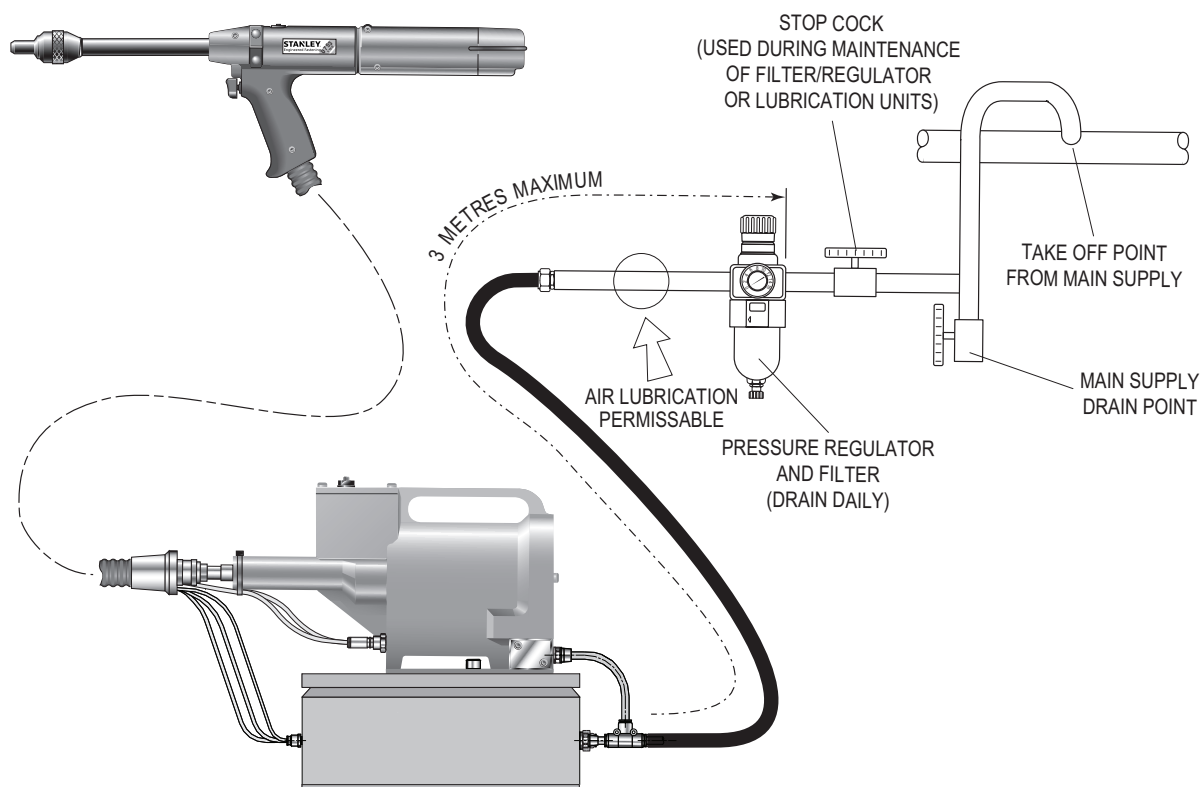
Размери в мм.

4. ВЪВЕЖДАНЕ В УПОТРЕБА

4.1 ВЪЗДУШНО ПОДАВАНЕ

Всички инструменти се управляват със съгъстен въздух с оптимално налягане от 5,5 бара. Препоръчваме използването на регулатори на налягането и автоматични системи за смазване/филтриране на основния захранващ въздух. За да се осигури максимален живот на инструмента и минималната му поддръжка, те трябва да бъдат монтирани в рамките на 3 метра от инструмента (вижте диаграмата по -долу).

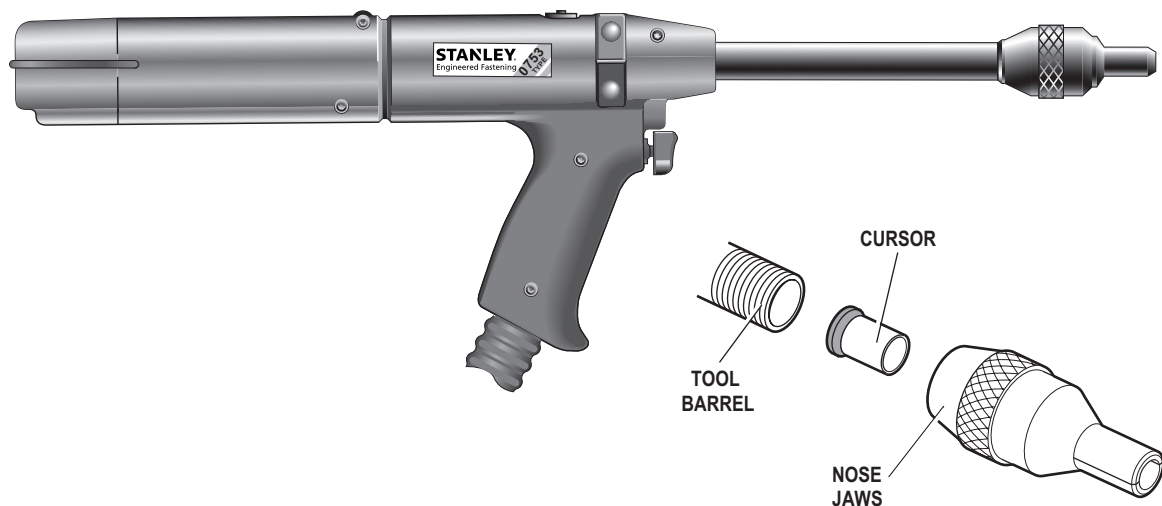
Маркучите за въздушно подаване трябва да имат максимално работно налягане от 150% от максималното налягане, произведено в системата или 10 бара, което е най-високо. Въздушните маркучи трябва да са устойчиви на петрол, да имат устойчива на изтъркване повърхност и да са блиндирани, когато условията на работа могат да доведат до повреда на маркучите. Всички маркучи за подаване на въздух ТРЯБВА да имат минимален диаметър на отвора от 6,4 милиметра или 1/4 инча.



Следвайте стъпките по-долу, когато свързвате инструмента към усилвателя и основното въздушно подаване:

- Натиснете края на по-големият хидравличен маркуч от инструмента в конектора за бързо освобождаване в края на усилвателя.
- На предната страна на усилвателя (Вижте за справка страница 41):
 - Натиснете синята пневматична (4 мм OD) линия в редукторния фитинг, който се намира в левия конектор на преградата.
 - Натиснете черната пневматична (4 мм OD) линия в пластмасовата цанга на десния конектор на преградата.
- На предната страна на контролната кутия (Вижте страницата 41):
 - Натиснете сребърната пневматична (3 мм OD) линия в редуктора с надпис „Курсор“ на предната страна на контролната кутия - лява страна.
 - Натиснете зелената пневматична (4 мм OD) линия в редуктора с надпис „Опашна челюст“ на предната страна на контролната кутия - средна.
 - Натиснете бялата пневматична (4 мм OD) линия в редуктора с надпис „Сигнал“ на предната страна на контролната кутия - права страна.
- Поставете пневматичния маркуч между мъжкия конектор в задната част на усилвателя и основното въздушно подаване.

4.2 ВЪЗДУШНИ КУРСОРИ



Избор на въздушен курсор

Вижте отделен информационен лист 07900-00863 за носовите компоненти.

КУРСОР

ВАЖНО

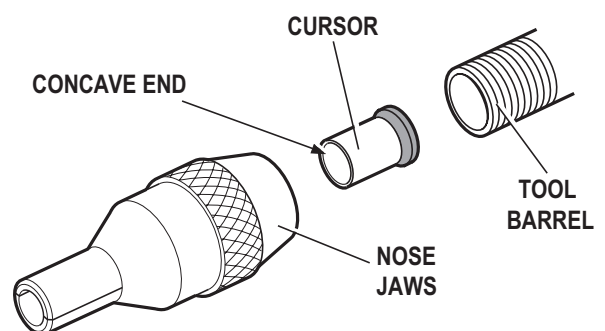
Ако е монтиран неправилно, курсорът няма да позволи натоварването на инструмента и подаването на крепежните елементи.

Въпреки, че курсора по принцип е монтиран правилно при доставянето на инструмента, препоръчваме ви да проверите ориентацията му, преди да монтирате носовото оборудване. Леко вдлъбнатия край на курсора трябва да сочи към предната част на инструмента, както е показано на илюстрацията.

За да обърнете ориентацията на курсора, изпълнете следните стъпки:

Трябва да бъдете изключително внимателни, когато предприемате следната процедура. Трябва да се внимава да се избегне цевта и стърчащия дорник.

- Свалете носовата част, ако има такава.
- Поставете празен дорник докрай в инструмента.
- Затворете опасните челюсти **32**, като включите превключвателя на опасната челюст (елементи **18** и **19**).
- Курсорът ще изскочи от цевта след кратко закъснение.
- Отворете опасните челюсти **32**, като изключите превключвателя на опасната челюст (елементи **18** и **19**), това ще освободи дорника.
- Отстранете курсора от дорника и поставете курсора в цевта.



4.3 ЗАРЕЖДАНЕ И ПРЕЗАРЕЖДАНЕ НА ИНСТРУМЕНТА

ВАЖНО

Процедурата за зареждане на инструмента и за поставяне на носовото оборудване към инструмента е взаимосвързана.

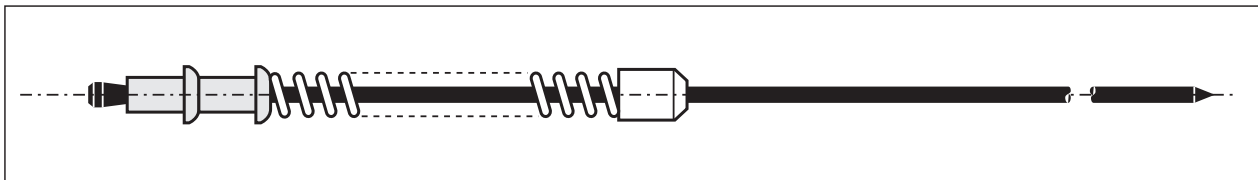
Когато поръчвате пълен инструмент или система, обикновено ще бъдете снабдени с цялото носово оборудване, необходимо за поставянето на закопчалката.

Ако сте били снабдени с носова челюст, дорниците и пружините за доближаване на дорника, продължете да зареждате инструмента и да монтирате носовото оборудване, както е показано по-долу.

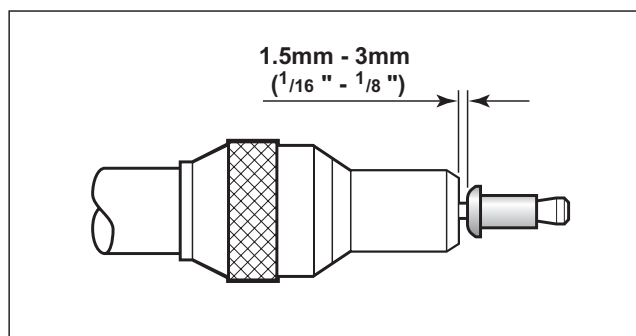
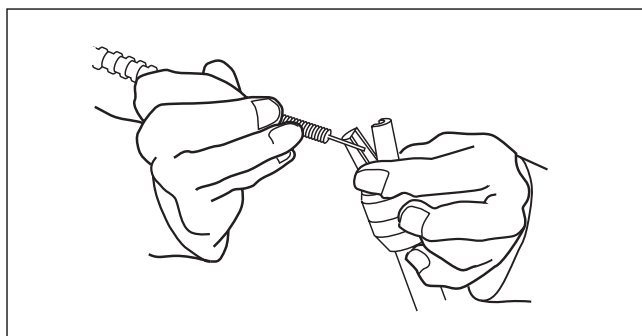
Номерата на елементите с **удебелен шрифт** се отнасят до общия списък и частите за инструмент 07536-02200 на страници 45-46.

Зареждане на инструмента

- Свържете подаването на въздух към инструмента.
- Отворете опасните челюсти **32**, които захващат дорника, като изключите превключвателя на опасната челюст (елементи **18** и **19**).
- Завинтете избраните челюсти на носа върху цевта **44** на инструмента.
- * Поставете дорника в опасния край на крепежните елементи през жлеба за хартия.
- Плъзнете пружината на дорника върху дорника, като внимавате за правилната ориентация.



- Хванете опасния край на дорника, откъснете хартиения жлеб от крепежните елементи.
- Отворете челюстите на носа или чрез завъртане на външния пръстен на челюстите, задвижвани с гърбица, или чрез избутване на краищата на челюстта навън, както е показано по-долу вляво.
- Поставете предварително сглобения дорник, пружината за закрепване на дорника и крепежни елементи в носовата челюст, докато първият скрепителен елемент, който се поставя, излиза от носовата челюст.
- Затворете носовите челюсти и регулирайте така, че първият скрепител да излиза от 1,5 мм - 3 мм ($1/16''$ до $1/8''$), както е показано на илюстрацията долу вдясно.
- Затворете опасните челюсти **32**, за да сте сигурни, че дорникът е захванат, като включите превключвателя на опасната челюст (артикули **18** и **19**).



Повторно зареждане на инструмента

- Отворете опасните челюсти **32** на инструмента, като изключите опасните челюсти (елементи **18** и **19**).
- Отворете носовите челюсти и издърпайте празния дорник и пружината за дорника от инструмента.
- Заредете отново инструмента, като следвате горните инструкции, започвайки от етап •*.

Настройка на инструмента - Само регулируеми носови възли

Поставете предварително сглобения дорник (вижте Зареждане на инструмента •*) или дорника за еднократна употреба до ограничителя в рамките на буталната сглобка на опасната челюст **60**.

Докато държите дорника, затворете опасните челюсти **32**, които захващат дорника, като включите превключвателя на опасната челюст (**18** и **19**).

Завийте контрагайката върху цевта **44** на инструмента.

Завъртете носовата сглобка на цевта **44**.

Регулирайте носовата част така, че първата закопчалка да стърчи с 1,5 мм-3 мм ($1/16''$ - $1/8''$), както е показано на илюстрацията на страница 37.

Номерата на елементите с **удебелен шрифт** се отнасят до общия списък и частите за инструмент 07536-02200 на страници 45-46.

Затегнете фиксиращата гайка към носовия модул, за да предотвратите движението на монтажната челюст.

Повторно зареждане на инструмента

Отворете опасните челюсти на инструмента, като изключите превключвателя на опасната челюст (**18-19**).

Отворете челюстите и издърпайте празния дорник и последващата пружина от инструмента.

Поставете новия дорник до упора в него и затворете опасните челюсти **32**, които захващат дорника, като включите превключвателя на опасната челюст (**18 и 19**).

Затворете опасните челюсти **32**.

4.4 РАБОТНА ПРОЦЕДУРА

ВАЖНО

Трябва да проверите дали ориентацията на курсора и носовото оборудване са правилни, преди да опитате да работите с инструмента.

- Натиснете закопчалката, излизаща от носовата челюст докрай в отворите за нанасяне, като гарантирате, че инструмента е на една линия.
- Задействайте пусковият превключвател без да го освобождавате - главата на дорника се издърпва през крепежния елемент, като формова крепежния елемент в приложението.
- Извадете инструмента.
- Освободете пусковият превключвател. Следващият крепежен елемент ще бъде автоматично приставен през носовите челюсти, готов за поставяне.

5. СЕРВИЗИРАНЕ НА ИНСТРУМЕНТА

Трябва да се извършва редовно сервизиране, а цялостна инспекция се извършва ежегодно или на всеки 500 000 цикъла, или което е по-рано.

ВАЖНО

Работодателят е отговорен за осигуряването на инструкции за поддръжка на инструментите на подходящия персонал.

Операторът не трябва да участва в поддръжката или ремонта на инструмента, освен ако не е подходящо обучен.

5.1 ПНЕВМАТИЧНА КУТИЯ ЗА УПРАВЛЕНИЕ

ВАЖНО

Пневматичната кутия не трябва да се отваря при никакви обстоятелства. Кутията е затворен елемент. Вътрешните настройки са предварително зададени и не трябва да бъдат променени или подправяни. Само упълномощен персонал на STANLEY Engineered Fastening може да демонтира тази контролна кутия.

▲ ВНИМАНИЕ: Никога не използвайте разтворители или други разяждащи химикали за почистване на неметалните части на инструмента. Тези химикали могат да отслабят материалите, използвани в тези части.

5.2 ЕЖЕДНЕВНО

- Ежедневно, преди употреба или при първото пускане на инструмента в експлоатация. Изсипете няколко капки чисто смазочно масло във въздушния входа на усилвателя, ако на подаващия въздух няма монтиран смазочен материал. Ако инструментът е в непрекъсната употреба, маркучът за въздух трябва да се изключи от основния източник на въздух и инструментът да се смазва на всеки два до три часа.
- Проверете за течове на въздух и масло. Повредените маркучи и съединители трябва да бъдат сменени.
- Ако няма филтър на регулатора на налягането, източете въздушната линия, за да я изчистите от натрупаните замърсявания или вода, преди да свържете маркуча към усилвателя. Ако има и филтър, източете го.
- Проверете дали носовото оборудване е правилно.
- Проверявайте редовно дорниците за следи от износване или повреди, като следите броя на поставянията (прочетете Инструкциите за безопасност на страница 30-32).

5.3 СЕДМИЧНО

- Извършете пълните „ежедневни“ процедури, както е описано по-горе.
- Извадете, инспектирайте, почистете и намажете опасните челюсти (вижте „Цилиндър на задната челюст“ в „Раздел за поддръжка“ стр. 42).
- Проверете нивото на маслото в усилвателя. Резервоарът на агрегата е приблизително 12 мм (1/2") под прозрачната капачка.

5.4 ЛИТИЕВА ГРЕС MOLY EP 3753 ДАННИ ЗА БЕЗОПАСНОСТ

Мазнината може да бъде поръчана като единичен артикул, номерът на частта е показан в сервизния комплект на страница 40.

Първа помощ

КОЖА:

Тъй като мазнината е напълно водоустойчива, най-добре се отстранява с одобрен емулгатор за почистване на кожата.

ПОГЛЪЩАНЕ:

Осигурете отделните напитки 30 мл Магнезиево мляко, за предпочитане в чаша мляко.

ОЧИ:

Дразни, но не вреди. Измийте с вода и потърсете медицинска помощ.

Пожар

ТОЧКА НА ЗАПАЛВАНЕ: Над 220°C.

Не е класифициран като запалим.

Подходящи средства за гасене: CO₂, халон или воден спрей, ако се прилага от опитен оператор.

Заобикаляща среда

Пригответе за изгаряне или изхвърляне на одобрен обект.

Поддръжка

Използвайте бариерен крем или ръкавици, устойчиви на масло.

Съхранение

Далече от топлина и окислител.

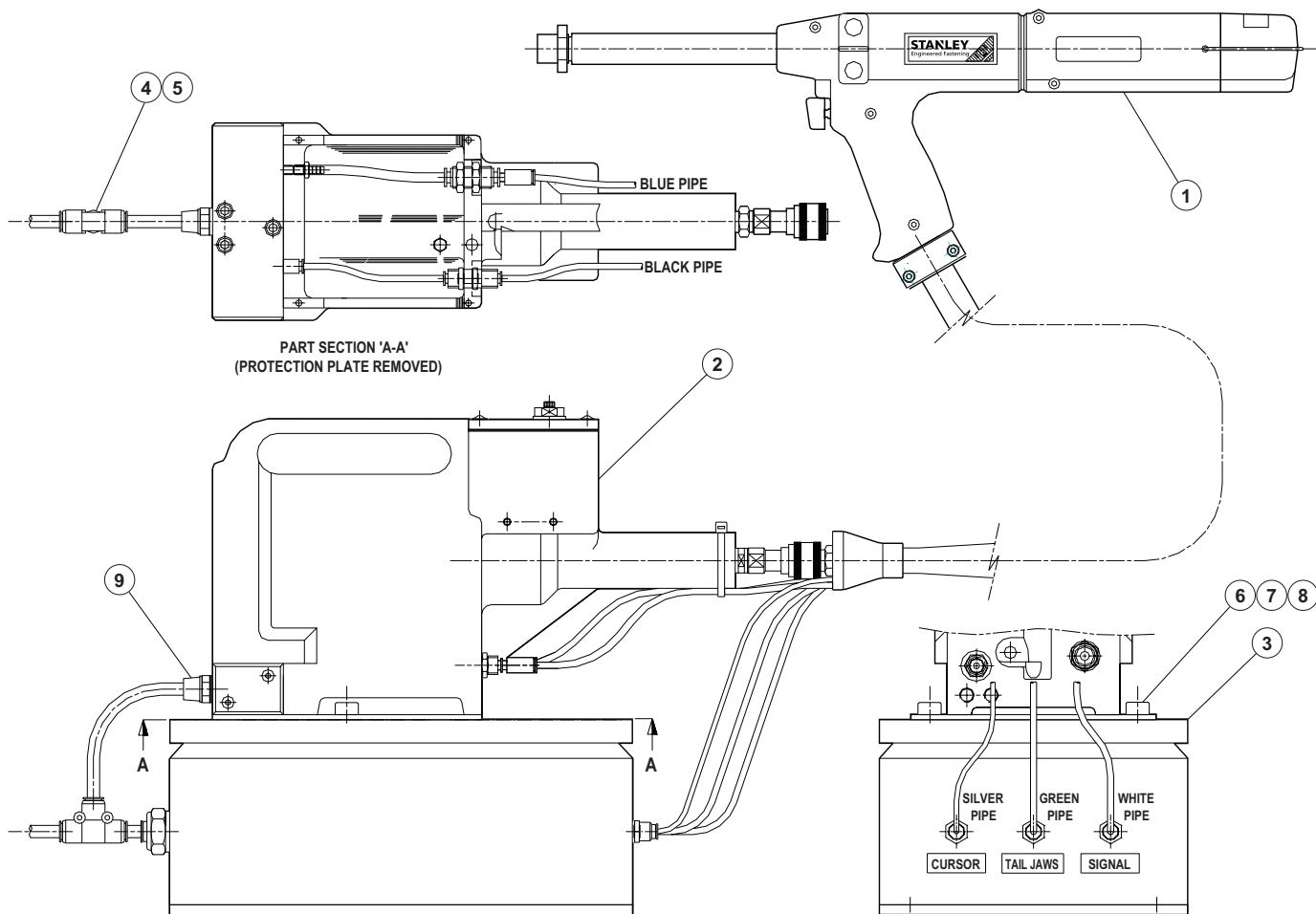
5.5 СЕРВИЗЕН КОМПЛЕКТ

За всяко обслужване препоръчваме използването на сервизния комплект (продуктов номер 07900-05300).

СЕРВИЗЕН КОМПЛЕКТ					
РЕЗЕРВНА ЧАСТ №	ОПИСАНИЕ	№ ИЗКЛ.	РЕЗЕРВНА ЧАСТ №	ОПИСАНИЕ	№ ИЗКЛ.
07900-00157	ЦИЛИНДРИЧНИ КЛЕЩИ	1	07900-00352	КУКА ЗА СВАЛЯНЕ НА УПЛЪТНЕНИЕТО	1
07900-00006	ШПАТУЛА	1	07900-00710	ГАЕЧЕН КЛЮЧ ЗА ИЗВАЖДАНЕ НА ТАПАТА НА ЦЕВТА	1
07900-00446	ЕКСТРАКТОР	1	07900-00725	КУРШУМ	1
07900-00603	ЦИЛИНДРИЧНИ ЧЕЛЮСТИ	1	07900-00243	ОТВЕРТКА	1
07900-00520	3/8" ПРЪТ	1	07900-00717	КЛЮЧ ЗА УСИЛВАТЕЛ	1
07900-00521	1/4" ПРЪТ	1	07900-00013	1/8" ШЕСТОСТЕН КЛЮЧ	1
07900-00602	МОНТАЖЕН КУРШУМ ТИП 'О' ПРЪСТЕН	1	07900-00617	ЛОСТИТЕ® МУЛТИ-УПЛЪТНЕНИЕ 574 В ОПАКОВКА ОТ 50 мл	1
07900-00595	18 мм ГАЕЧЕН КЛЮЧ	1	07900-00469	2,5 мм ШЕСТОСТЕН КЛЮЧ	1
07900-00434	32 мм ГАЕЧЕН КЛЮЧ	1	07900-00351	3 мм А/Ф ШЕСТОСТЕН КЛЮЧ	1
07900-00237	3/8" × 5/16" В.С.В. ГАЕЧЕН КЛЮЧ	1	07900-00224	4 мм ШЕСТОСТЕН КЛЮЧ	1
07900-00012	9/16" × 5/8" ГАЕЧЕН КЛЮЧ	1	07900-00225	5 мм ШЕСТОСТЕН КЛЮЧ	1
07900-00008	7/16" × 1/2" ГАЕЧЕН КЛЮЧ	1	07992-00020	80 г КУТИЯ С МОЛИЛИТИЕВА СМАЗКА EP 3753	1

Забележка: Размерите на гаечния ключ се измерват „в различни плоскости“, освен ако не е посочено друго.

5.6 ИНСТРУМЕНТ ЗА ВЪЗДУШЕН КУРСОР, УСИЛВАТЕЛ И КОНТРОЛНА КУТИЯ 07536-02100



АРТИКУЛ	ЧАСТ №	ОПИСАНИЕ	№ ИЗКЛ.
1	07536-02200	РЪЧЕН ИНСТРУМЕНТ ВЪЗДУШЕН КУРСОР	1
2	07531-02200	ИНТЕНСИФИКАТОР	1
3	07007-02024	КУТИЯ ЗА УПРАВЛЕНИЕ НА ВЪЗДУШНИЯ КУРСОР	1
4	07005-10071	Т-КОНЕКТОР	1
5	07005-10072	8 ММ ТРЪБИ (2,50 м)	1
6	74405-12080	МОДИФИЦИРАН М8 НУТСЕРТ	8
7	07001-00469	М8 × 15 ВИНТ С КАПАЧКА ТИП ГНЕЗДО	2
8	07002-00105	М8 ШАЙБА	4
9	07005-01573	МЪЖКИ КОНЕКТОР 8ММ ТРЪБА	1
10	07005-01977	МЪЖКА/ЖЕНСКА РЕДУКЦИЯ 6ММ /4ММ	1

6. ПОДДРЪЖКА

На всеки 500 000 цикъла инструментът трябва да се демонтира напълно и да се използват нови компоненти, когато са износени, повредени или според препоръките. Всички „О“ пръстени и уплътнения трябва да бъдат подновени и смазани с литиева грес Moly EP 3753 преди сглобяване.

ВАЖНО

Инструкциите за безопасност се появяват на страница 4.

Работодателят е отговорен за осигуряването на инструкции за поддръжка на инструментите на подходящия персонал.

Операторът не трябва да участва в поддръжката или ремонта на инструмента, освен ако не е подходящо обучен.

Въздушната линия трябва да бъде прекъсната, преди да се направи опит за сервизиране или демонтаж, освен ако не е указано друго.

Препоръчва се всяка операция по демонтаж да се извършва в чисти условия.

Преди да демонтирате инструмента, ще трябва да свалите носовото оборудване.

За цялостно обслужване на инструмента ви съветваме да продължите с демонтажа на подвълзите в показания подолу ред, след като сте откачили хидравличния маркуч от усилвателя, въздушните тръбопроводи от усилвателя и контролната кутия, като по този начин отделите пистолетния блок от усилвателя.

Потенциално опасните вещества, които биха могли да се отлагат върху машината в резултат на работни процеси, трябва да бъдат отстранени преди поддръжката.

6.1 ДЕМОНТАЖ 07536-02200

ЦИЛИНДЪР НА ОПАШНАТА ЧЕЛЮСТ

- Ръчно обърнете задържащата скоба **53** нагоре и свалете крайната капачка **59**.
- С помощта на шестостенен ключ*, отстранете един винт със заоблена глава **6**, като се уверите, че въздухът, задържан в цилиндъра на опасната челюст, е източен. Свалете втория винт с цилиндрична глава **6**.
- Извадете задната пробка **50**. **Забележка:** За да се подпомогне извличането, има 5 мм резба на задната страна на щепсела.
- Компоненти на опасната челюст за извличане на въздух, включващи буталната сглобка на опасната челюст **60**, ограничител **52**, „О“ пръстен **12** и челюсти **32**.
- Извадете останалите компоненти, състоящи се от пружина **36** и корпус на челюстта **42**.
- Свободната дължина на пружина **36** трябва да бъде 38,1 мм (1,5"). Заменете, ако е необходимо.
- Свалете уплътнението на буталната сглобка тип „О“ пръстен **11**.
- Изключете концертна тръбата на въздушния курсор (зелена) **49** от коленния конектор **22**.
- Изключете концертна тръбата на въздушния курсор (сребърна) **38** от коляното **30**.
- С помощта на шестостенен ключ*, свалете всичките пет винта за закрепване на дръжките **3**, **4** и всичките четири гайки **8** от дръжката на инструмента.
- Хванете цевта **44** в менгеме с помощта на меки челюсти, за да избегнете повреда.
- Използвайки гаечен ключ*, развийте тапата на цилиндъра **46**, предотвратявайки завъртането на цилиндър **44**, като използвате гаечен ключ с отворен край*.
- Издърпайте цилиндъра на опасната челюст **47** от инструмента.
- Свалете „О“ пръстена **14**, триещата лента **41** и възвратната пружина на цевта **37**.
- Намажете лицето на опасната челюст **32** с Moly Lithium грес, в контакт с Челюстния корпус **42** преди сглобяването.
- Сглобете в обратния ред на демонтажа.

* Отнася се за артикули, включени в сервизния комплект 0753 MkII. За пълен списък вижте страница 40.

Номерата на елементи с **удебелен шрифт** се отнасят към Общата сглобка и списъка с частите на страници 45, 46.

ХИДРАВЛИЧНО БУТАЛО

- Свалете цилиндъра на задната челюст **47**, както е описано по-преди.
- Хванете тялото **45** в менгеме с помощта на меки челюсти, за да избегнете повреда, отменете ограничителя на удара **40**.
- С помощта на шестостенен ключ* разхлабете винт **5**, който затяга превключвателния блок **54** към цевта **44**.
- Дръжте инструмента здраво и издърпайте цевта **44** от тялото **45** (малко количество хидравлично масло може да бъде изхвърлено от вътрешността на блока на главата).
- Свалете буталото **39**, за да не повредите отвора на главата.
- Свалете уплътнението **16**.
- Уплътнението **17** се отстранява трудно, без да се повреди, но може да остане на място по време на почистването (при условие, че не е повлияно от процеса на почистване). Ако обаче уплътнението **17** изисква подновяване, продължете по следния начин:
- С помощта на шпатула*, вземете уплътнение **17** от Корпус **45**, като внимавате да не повредите телесната кухина и отворите. Сваленото уплътнение **17** ТРЯБВА да се изхвърли.
- За да смените уплътнението **17**, развийте модула за обезвъздушаване **43**, докато вътрешната страна се изравни с вътрешния отвор на тялото **45**. Това ще осигури плавен проход за поставяне на нов уплътнител **17** през задната част на тялото **45**.
- Уверете се, че уплътнението **17** е добре смазано и е правилно закръглено, като отвореният край на уплътнението е обърнат към задните опасни челюсти.
- Пълен монтаж в обратен ред на демонтажа.

СГЛОБКА НА ПУСКОВИЯТ ПРЕВКЛЮЧВАТЕЛ

- За демонтиране/сервизно сглобяване свалете капачиците от инструмента, както е описано по-горе.
- Изключете всички маркучи за въздух от сглобката, като внимавате да не ги повредите. Отстранете сглобката.
- С помощта на гаечен ключ* развийте фиксатора **34** и го извадете. Внимавайте да запазите пружината **31**.
- Отстранете „О“ пръстена **10**, като внимавате да не повредите подложките на шпиндела **35** и фиксатора **34**.
- Почистете и сглобете отново, като използвате нов „О“ пръстен **10**.
- Проверете дължината на пружината **31**, която трябва да бъде 12,7 мм (0,5“) свободна дължина – сменете, ако е необходимо.
- Сглобяване в обратен ред на демонтажа.

КЛАПАН ЗА ВКЛЮЧВАНЕ/ИЗКЛЮЧВАНЕ НА ОПАШНАТА ЧЕЛЮСТ

- Уредът е проектиран така, че да се изисква минимално обслужване по време на живота на инструмента.
- Ако е необходимо да демонтирате вентила, постъпете по следния начин:
- Отстранете корпуса на спусъка **56**, както е описано в раздел „Хидравлично бутало“.
- С помощта на отвертка*, внимателно извадете хромирана шайба звездочка **18** от въздушната опасна челюстна макара **55** и изхвърлете шайбата.
- Извлечете въздушната опаска челюстна макара **55** от превключвателния блок **54**.
- Внимавайки да не повредите въздушната опаска на челюстната макара **55**, свалете пръстените „О“ **12**.
- Почистете макарата и монтирайте новите пръстени „О“ **12** с помощта на монтажния куршум* и ги поставете в превключвателния блок **54**, като отбележите неговата ориентация.
- Поставете новата хромирана шайба звездочка **18** чрез затягане в меки челюсти, за да предотвратите повреда. НЕ ИЗПОЛЗВАЙТЕ НЕНУЖНА СИЛА.
- Пълен монтаж в обратен ред на демонтажа.

* Отнася се за артикули, включени в сервизния комплект 0753 MkII. За пълен списък вижте страница 40.

Номерата на елементи с **удебелен шрифт** се отнасят към Общата сглобка и списъка с частите на страници 45, 46.

РЪКОХВАТКА и КРАЙНО КАПАЧЕ

- Почистете и проверете корнизите за пукнатини или други повреди.

КУРСОР

- Почиствайте и смазвайте сглобката на курсора от време на време с малко леко масло.

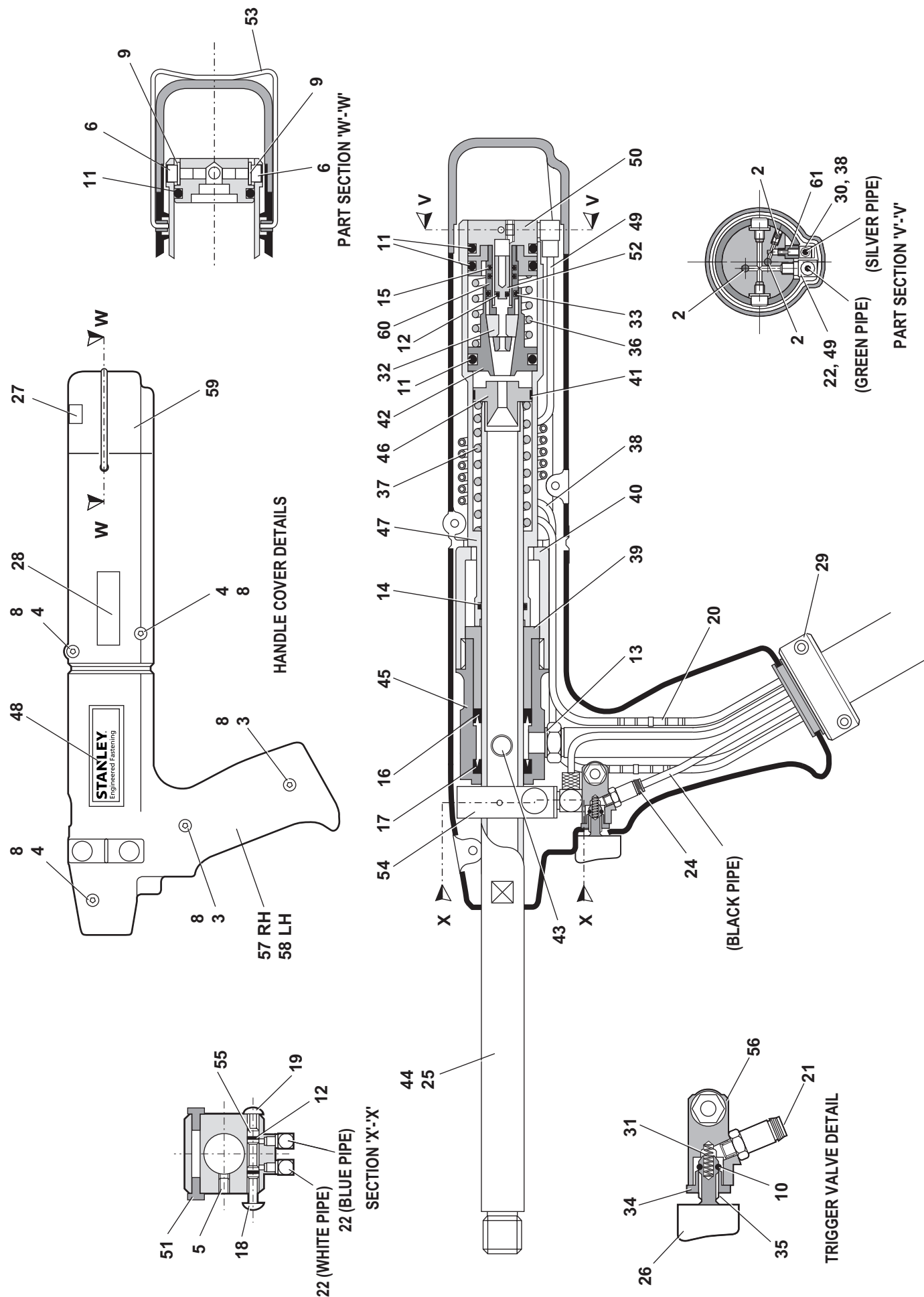
ВАЖНО

**Проверявайте инструмента за ежедневно и седмично обслужване.
Грундирането е ВИНАГИ необходимо след демониране на инструмента и преди употреба.**

* Отнася се за артикули, включени в сервизния комплект 0753 MkII. За пълен списък вижте страница 40.

Номерата на елементи с **удебелен шрифт** се отнасят към Общата сглобка и списъка с частите на страници 45, 46.

6.2 ОБЩА СГЛОБКА НА ОСНОВНИЯТ ИНСТРУМЕНТ 07536-02200



6.3 СПИСЪК НА ЧАСТИ ЗА ОСНОВЕН ИНСТРУМЕНТ 07536-02200

07536-02200 СПИСЪК НА ЧАСТИ									
АРТИКУЛ	ЧАСТ №	ОПИСАНИЕ	Бр.	РЕЗЕРВНИ	АРТИКУЛ	ЧАСТ №	ОПИСАНИЕ	Бр.	РЕЗЕРВНИ
1	07007-00392	КАБЕЛНА ВРЪЗКА (НЕ ПОКАЗАНА)	1	-	34	07220-00803	ФИКСАТОР	1	-
2	07001-00499	M3 x 5 ВИНТ С КОМПЛЕКТ ДЪЛГИ ГНЕЗДА	3	-	35	07241-00208	ШПИНДЕЛ	1	-
3	07001-00262	M4 x 22 ВИНТ С КАПАЧКА ТИП УДЪЛЖЕНО ГНЕЗДО	1	-	36	07154-00404	ПРУЖИНА	1	-
4	07001-00401	M4 x 10 ВИНТ С КАПАЧКА ТИП УДЪЛЖЕНО ГНЕЗДО	4	-	37	07490-03002	ВЪЗВРАТНА ПРУЖИНА НА ЦЕВТА	1	-
5	07001-00404	M5 x 6 ВИНТ С КОМПЛЕКТ ДЪЛГИ ЦИЛИНДРИЧНИ ГНЕЗДА	1	-	38	07536-02211	3 ММ КОНЦЕРТИНА ТРЪБА НА ВЪЗДУШНИЯ КУРСОР - СРЕБЪРНА	1	-
6	07001-00504	M4 x 6 ВИНТ С КАПАЧКА ТИП УДЪЛЖЕНО ГНЕЗДО	2	2	39	07536-00203	БУТАЛО	1	-
7					40	07530-00204	ХОДОВ ОГРАНИЧИТЕЛ	1	-
8	07002-00134	M4 ШЕСТОСТЕННА ГАЙКА	4	-	41	07530-00206	ТРИЕЩА ЛЕНТА	1	1
9	07002-00153	M4 ШАЙБА [ПЛАСТМАСОВА]	2	-	42	07536-00208	КОРПУС НА ЧЕЛЮСТТА	1	-
10	07003-00022	"O" ПРЪСТЕН	1	-	43	07530-00500	ВЕНТИЛАЦИОННА ТАПА [АРТИКУЛИ 62 ДО 65]	1	-
11	07003-00113	"O" ПРЪСТЕН	3	3	44	07536-02201	ЦЕВ	1	-
12	07003-00121	"O" ПРЪСТЕН	3	3	45	07530-02202	ТЯЛО	1	-
13	07003-00142	1/8" BSP СВЪРЗАНО УПЛЪТНЕНИЕ	1	1	46	07530-02205	ТАПА НА ЦЕВТА	1	-
14	07003-00167	"O" ПРЪСТЕН	1	1	47	07536-02207	ЦИЛИНДЪР НА ОПАШНАТА ЧЕЛЮСТ	1	-
15	07003-00386	"O" ПРЪСТЕН	2	-	48	07530-02210	ЕТИКЕТ	2	-
16	07003-00236	УПЛЪТНЕНИЕ [ДИНАМИЧНО]	1	1	49	07536-02212	4 ММ КОНЦЕРТИНА ТРЪБА НА ВЪЗДУШНИЯ КУРСОР - ЗЕЛЕНА	1	-
17	07003-00237	УПЛЪТНИТЕЛ [СТАТИЧЕН]	1	-	50	07536-02213	ЗАДНА ТАПА	1	-
18	07004-00058	1/8" ХРОМОВА ШАЙБА ЗВЕЗДОЧКА	1	-	51	07530-00310	ТАПА ЗАГЛУШВАТЕЛ	2	-
19	07004-00059	1/8" ШАЙБА ЗВЕЗДОЧКА, ЧЕРНА	1	-	52	07536-02214	ОГРАНИЧИТЕЛ	1	-
20	07005-10073	3 ММ КОНЕКТОР	1	-	53	07530-02220	СКОБА	1	-
21	07005-01357	КОНЕКТОР ТИП ПАТРОННИК	1	-	54	07530-02301	ПРЕВКЛЮЧАТЕЛЕН БЛОК	1	-
22	07005-01571	ЛАКЪТЕН КОНЕКТОР	3	-	55	07530-02302	МАКАРА НА ВЪЗДУШНАТА ОПАШНА ЧЕЛЮСТ	1	-
23	07536-02216	ЗАКЛЮЧВАЩА ГАЙКА	1	-	56	07530-02311	КОРПУС НА ПУСКОВИЯ ПРЕВКЛЮЧАТЕЛ	1	-
24	07005-10074	2 ММ КОНЕКТОР	1	-	57	07536-02601	ДЯСНА ДРЪЖКА С ФОРМОВЪЧЕН МОНТАЖ	1	-
25	07007-00017	КАПАЧКА ЗА ПРАХ	1	-	58	07536-02602	ЛЯВА ДРЪЖКА С ФОРМОВЪЧЕН МОНТАЖ	1	-
26	07007-00300	БУТОН ЗА ПУСКОВИЯ ПРЕВКЛЮЧАТЕЛ	1	-	59	07530-02603	КРАЙНО КАПАЧЕ	1	-
27	73200-02022	ЕТИКЕТ ЗА БЕЗОПАСНОСТ	1	-	60	07536-02800	БУТАЛНА СГЛЮБКА НА ОПАШНАТА ЧЕЛЮСТ	1	-
28	07007-01504	ЕТИКЕТ С СЕ МАРКИРОВКА	1	-	61	07536-02215	МОНТАЖЕН АДАПТЕР	1	-
29	07008-00438	СГЛЮБКА НА ФЛЕКСАБИЛНИЯ МАРКУЧ	1	-	62	07003-00142	● СВЪРЗАНО УПЛЪТНЕНИЕ (НЕ Е ПОКАЗАНО)	1	1
30	07005-01323	M3 КОЛЯНО	1	-	63	07003-00194	● СВЪРЗАНО УПЛЪТНЕНИЕ (НЕ Е ПОКАЗАНО)	1	1
31	07125-00215	ПРУЖИНА	1	-	64	07001-00442	● ВИНТ (НЕ Е ПОКАЗАНО)	1	1
32	07151-00403	ЧЕЛЮСТИ НА ОПАШКАТА	1	2	65	07530-00501	● ЩЕПСЕЛ (НЕ Е ПОКАЗАНО)	1	-
33	07003-00016	"O" ПРЪСТЕН	1						

6.4 ИНСТРУКЦИИ ЗА РАЗГЛОБЯВАНЕ

- Когато демонтирате усилвателя, първо изключете маркуча за подаване на въздух към входа на усилвателя **22**.
- С помощта на шестограмен ключ* развийте четири винта **27** и отстранете защитната плоча **24**.
- Изключете маркуча на спусъка **47** от усилващия клапан **43** или **48**, като натиснете изходната цанга и издърпате маркуча.
- Свалете капака на плочата **4** и уплътнението **35**, като свалите винтовете **37** и шайбите **36** с помощта на шестстен ключ*.
- Уверете се, че уплътнението не е повредено, за да осигурите правилно уплътнение при монтажа.
- Обърнете усилвателя и източете маслото от резервоара в подходящ съд.
- Свалете конектора за бързо освобождаване **32** заедно с конектора **31** и уплътненията **33** с подходящ гаечен ключ*.
- Извадете усилвателния клапан **43** или **48**, като отстраните фиксиращите винтове с подходящ гаечен ключ, и като внимавате да задържите „О“ пръстена **21**, разположен в корпуса на усилвателя.
- Свалете винта **19** с подходящ шестограмен ключ* и отстранете капака на заглушителя **16**, пенният шумозаглушител **15**, разделителя **18** и задържащата плоча **20**.
- Извадете 6 мм пластмасова тръба **41** от вакуумните конектори **42**.
- От основата на усилвателя, поставете 3 мм шестограмен ключ* през двата отвора и развийте вакуумните конектори **42**. Забележка:
 - Трябва да се внимава, тъй като вакуумните съединители са заключени и запечатани на място с помощта на Loctite® 574.
 - Ако е трудно да се отстранят, вакуумните съединители могат да се пробият с помощта на свредло с диаметър $\frac{3}{16}$ " или 4,7 мм свредло.
- За да сглобите отново вакуумните конектори **42**, трябва да се следва следната процедура: -
 - Накиснете вакуумните съединители в подходящ грунд, например Perma Bond A905
 - Поставете капка Loctite® 574 в отвора с резба на усилвателя.
 - От основата на усилвателя вкарайте шестстенния ключ* през отвора. Уверете се, че шестоъгълният ключ* е свободен от Loctite® 574, преди да го поставите във вакуумния конектор.
 - Завъртете шестстенния ключ, докато прилагате Loctite® 574 към основата на вакуумния конектор.
 - Завийте вакуумния конектор в усилвателя, като се уверите, че има достатъчно Loctite® 574 в основата на фитинга, така че резбата да не се вижда.
- С помощта на отвертка внимателно отстранете вътрешния задържащ пръстен **14**. Почистете и проверете канала за признаци на повреда.
- С помощта на екстрактор*, поставете външния край с резба в крайния капак **12** и го изтеглете заедно с подсилващата втулка **28** и „О“ пръстените **10** и **13**.
- Поставете пръта* през отвора на съединителя в предната част на корпуса на усилвателя и издърпайте буталния прът **9** и сглобката на буталото.
- С помощта на подходящ шестограмен ключ*, развийте два винта **25** и свалете крайното капаче **12** от подсилващата втулка **28**.
- Свалете уплътнителния щепсел **7** с гаечен ключ*.
- Поставете пръта* през отвора на съединителя в предната част на усилвателя и изтласкайте уплътнителния корпус **5** и свързаните с него „О“ пръстени и уплътнения на устиетата.
- Свалете корпуса на клапана **34** от основното тяло с подходящ гаечен ключ*. Почистете чрез издухване с въздушна струя с ниско налягане.
- Извадете буталния прът **9** от усилвателя Въздушно бутало **11**, като захванете първите 20 мм ($\frac{3}{4}$ ") от пръта в хватка, снабдена с меки челюсти, като внимавате да не повредите или маркирате работната повърхност.
- Развийте заключващата гайка **17** с подходящ гаечен ключ*.

* Отнася се за елементи, включени в сервизния комплект 0753. За пълен списък вижте страница 40.
Номерата на елементите в **удебелен шрифт** се отнасят към илюстрацията и обратния списък с части.

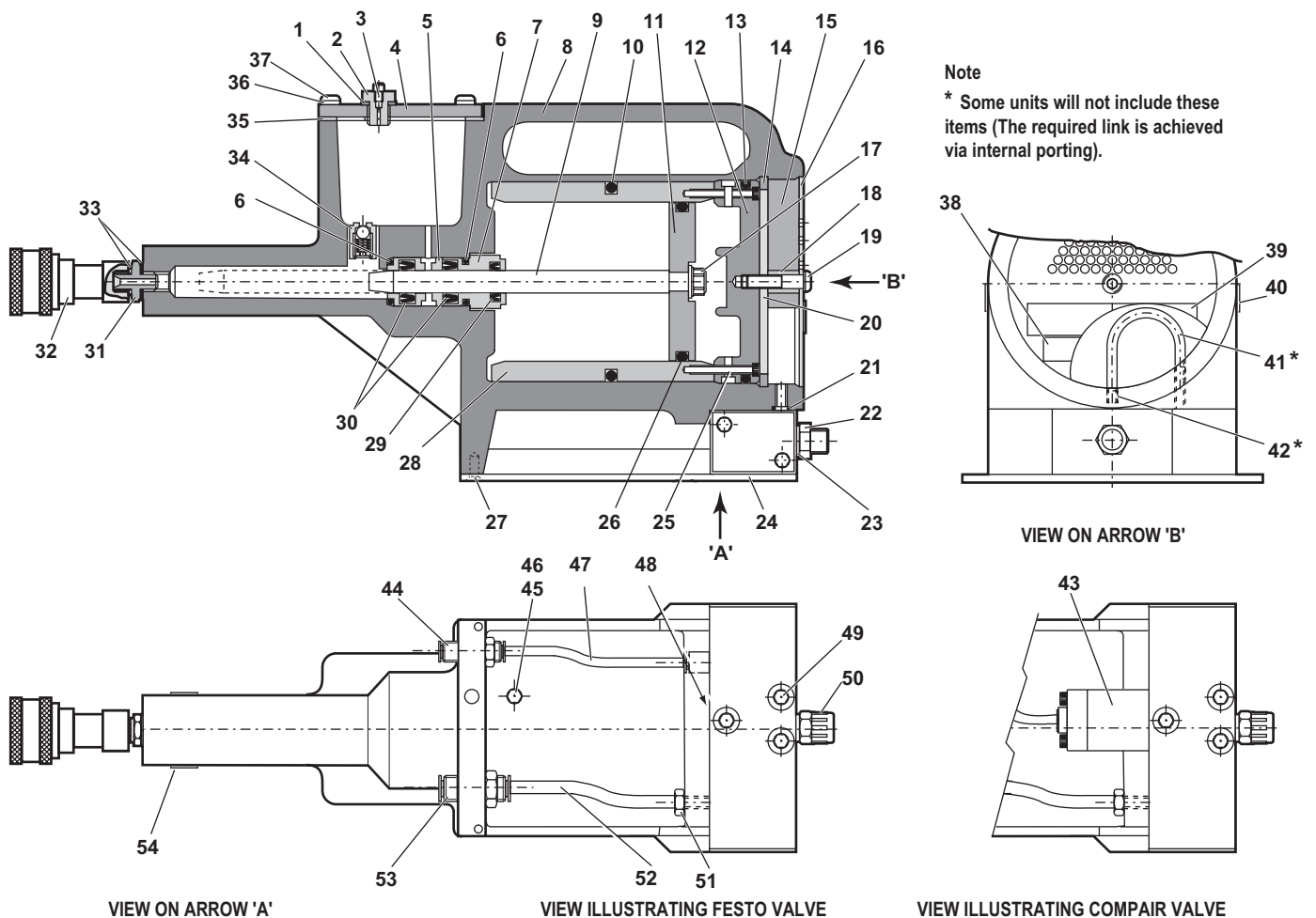
- Сглобете в обратен ред на демонтажа, като спазвате следното:
- Почистете всички части и подменете всички „О“ пръстени.
- Смажете всички уплътнения с литиева грес Moly.
- Сглобката на корпуса на клапана **34** трябва да се монтира отново с помощта на лепило за уплътняване на резба.
- Сглобете буталния възел, като използвате нова гайка **17**.
- Крайният капак **12** трябва да бъде монтиран правилно в задържащия пръстен **14**. Инструментът не трябва да се използва, ако крайният капак е пропуснат.

ВАЖНО
Грундирането е **ВИНАГИ** необходимо след демонтиране на инструмента и преди употреба.

6.5 ЗАЩИТА НА ОКОЛНАТА СРЕДА

Осигурете съответствие с приложимите разпоредби за изхвърляне. Изхвърлете всички отпадни продукти в одобрено съоръжение или площадка за отпадъци, за да не излагате персонала и околната среда на опасности.

6.6 УСИЛВАТЕЛ 07531-02200



* Отнася се за елементи, включени в сервисния комплект 0753. За пълен списък вижте страница 40. Номерата на елементите в **удебелен шрифт** се отнасят към илюстрацията и обратния списък с части.

07531-02200 СПИСЪК НА ЧАСТИ							
АРТИКУЛ	ЧАСТ №	ОПИСАНИЕ	Бр. РЕЗЕРВНИ	АРТИКУЛ	ЧАСТ №	ОПИСАНИЕ	Бр. РЕЗЕРВНИ
1	07003-00037	УПЛЪТНЕНИЕ	1	28	07531-00201	РЪКАВ	1
2	07240-00211	ЗАПЪЛВАЩ ВИНТ	1	29	07003-00337	УПЛЪТНЕНИЕ НА УСТНИТЕ	1
3	07001-00418	ВИНТ ЗА ОБЕЗВЪЗДУШАВАНЕ	1	30	07003-00336	УПЛЪТНЕНИЕ НА УСТНИТЕ	2
4	07240-00210	ПОКРИВНА ПЛОЧА	1	31	07005-00406	КОНЕКТОР	1
5	71420-02006	УПЛЪТНИТЕЛЕН КОРПУС	1	32	07005-00759	КОНЕКТОР С БЪРЗО ОСВОБОЖДАВАНЕ	1
6	07003-00153	"O" ПРЪСТЕН	2	33	07003-00142	УПЛЪТНЕНИЕ	2
7	71420-02007	УПЛЪТНИТЕЛНА ТАПА	1	34	07240-00400	СГЛОБКА НА КОРПУСА НА КЛАПАНА	1
8	71420-02300	СГЛОБКА НА КОРПУСА	1	35	07240-00209	УПЛЪТНЕНИЕ	1
9	71420-02008	БУТАЛЕН ПРЪТ	1	36	07002-00073	ШАЙБА	4
10	07003-00182	"O" ПРЪСТЕН	1	37	07001-00554	ВИНТ	4
11	07531-00202	ВЪЗДУШНО БУТАЛО	1	38	07007-01504	ЕТИКЕТ	1
12	07531-00204	КРАЙНО КАПАЧЕ	1	39	07240-00217	ЕТИКЕТ	1
13	07003-00183	"O" ПРЪСТЕН	1	40	07531-00205	ЕТИКЕТ	2
14	07004-00069	ЗАДЪРЖАЩ ПРЪСТЕН	1	41	07005-00596	* 6 мм ПЛАСТМАСОВА ТРЪБА	-
15	07240-00213	ПЕНЕН ШУМОЗАГЛУШИТЕЛ	1	42	07245-00103	* ВАКУУМЕН КОНЕКТОР	2
16	07240-00214	КАПАЧЕ ЗА ШУМОЗАГЛУШИТЕЛЯ	1	43	07005-00590	СРАВНИТЕЛЕН ВЕНТИЛ	1
17	07002-00017	ГАЙКА	1	44	07005-01431	НАВЕСЕН СЪЕДИНИТЕЛ	1
18	07240-00215	РАЗРЕДКА	1	45	07005-00668	M5 ТАПА	1
19	07001-00417	ВИНТ	1	46	07005-00670	M5 УПЛЪТНИТЕЛЕН ПРЪСТЕН	1
20	07240-00216	ЗАДЪРЖАЩА ПЛОЧА	1	47	07005-01084	4 мм ПЛАСТМАСОВА ТРЪБА (150 мм)	-
21	*07003-00042	"O" ПРЪСТЕН	1	48	07005-01524	ФЕСТО ВЕНТИЛ	1
22	07005-00041	КОНЕКТОР	1	49	07001-00176	ВИНТ	3
23	07003-00065	ШАЙБА	1	50	07007-00292	1/4" BSP ЧЕРВЕНО КАПАЧЕ	1
24	07240-00220	ЗАЩИТНА ПЛОЧА	1	51	07005-00647	КОНЕКТОР	1
25	07001-00375	ВИНТ	2	52	07005-01085	6 мм ПЛАСТМАСОВА ТРЪБА (150 мм)	-
26	07003-00238	"O" ПРЪСТЕН	1	53	07005-00855	НАВЕСНО СЪЕДИНЕНИЕ	1
27	07001-00396	ВИНТ	4	54	73200-02022	ЕТИКЕТ ЗА БЕЗОПАСНОСТ	1

7. ГРУНДИРАНЕ

Грундирането е ВИНАГИ необходимо след демонтиране на инструмента и преди употреба. Възможно е, също така, да се наложи възстановяване на пълния ход след значителна употреба, когато ходът може да бъде намален и крепежните елементи не са поставени напълно чрез едно натискане на спусъка.

7.1 ИНФОРМАЦИЯ ЗА МАСЛОТО

Препоръчителното масло за грундиране е Huspin® VG32 и AWS 32, налични в 0,5 л (номер на част 07992-00002) или контейнери с един галон (номер на част 07992-00006). Моля, вижте данните за безопасност по -долу.

7.2 ДАННИ ЗА БЕЗОПАСНОСТ ЗА МАСЛАТА HUSPIN® VG32 И AWS 32

Първа помощ

КОЖА:

Измийте обилно със сапун и вода възможно най-скоро. Случайният контакт не изисква незабавно внимание. Краткосрочният контакт не изисква незабавно внимание.

ПОГЛЪЩАНЕ:

Потърсете незабавно медицинска помощ. НЕ предизвиквайте повръщане.

ОЧИ:

Поливайте незабавно с вода за няколко минути. Въпреки, че НЕ е основен дразнител, след контакт може да възникне леко дразнене.

Пожар

Подходящи средства за гасене: CO₂, сух прах, пяна или водна мъгла. НЕ използвайте водни струи.

Заобикаляща среда

ИЗХВЪРЛЯНЕ НА ОТПАДЪЦИТЕ: Чрез оторизиран изпълнител до лицензиран обект. Може да се изгори. Използваният продукт може да бъде изпратен за рекламация.

РАЗЛИВ: Предотвратете навлизането в канализацията и водните течения. Попийте с абсорбиращ материал.

Поддръжка

Носете предпазни очила, непропускливи ръкавици (например от PVC) и пластмасова престилка. Използвайте в добре проветриво помещение.

Съхранение

Няма специални предпазни мерки.

7.3 ПРОЦЕДУРА НА ГРУНДИРАНЕ

ВАЖНО

НЕ РАБОТЕТЕ С ПУСКОВИЯ ПРЕВКЛЮЧВАТЕЛ, КОГАТО ИЗПУСКАТЕЛНИЯ ВИНТ Е ИЗВАДЕН

Всички операции трябва да се извършват на чиста пейка, с чисти ръце в чиста зона.

Уверете се, че новото масло е идеално чисто и без въздушни мехурчета.

ТРЯБВА да се внимава по всяко време, за да се гарантира, че в инструмента няма да попадне чуждо тяло, в противен случай могат да възникнат сериозни повреди.

- Свалете винта **2** и уплътнението **1** от пластмасовата покривна плоча **4** на резервоара на усилвателя.
- Изсипете грундиращото масло в резервоара, докато стане приблизително на 1/2" (12 мм) от върха.
- Сменете винта **2** и уплътнението **1**.
- Свържете усилвателя към подаването на въздух. Извадете винта от резервоара.
- С пистолетния блок 07536, монтиран на усилвателния блок и държан под нивото на усилвателя, развийте обезвъздушаващия винт **64** от обезвъздушителния модул **43** на инструмента 07536 на два оборота и оставете маслото да изтече от инструмента.
- Когато маслото тече свободно и без въздушни мехурчета, затегнете обезвъздушаващия винт.
- Напълнете резервоара на усилвателя с масло за зареждане.
- Циклирайте инструмента, докато всички въздушни мехурчета, присъстващи в маслото, се изхвърлят в резервоара за масло.

Номерата на елементи с **удебелен шрифт** се отнасят към Общата сглобка и списъка с частите на страници 45-48.

8. ДИАГНОСТИКА НА НЕИЗПРАВНОСТ

СИМПТОМ	ВЪЗМОЖНА ПРИЧИНА	СРЕДСТВА ЗА ЗАЩИТА	СТРАНИЦА ЗА СПРАВКА
Инструментът няма да постави крепежен елемент	Ниско въздушно налягане.	Увеличено въздушно налягане	50
	Липса на смазка.	Смажете инструмента на входната точка на въздуха	
	Високо натоварване на броша.	Проверете дръжката на закопчалката и размера на отвора за приложение	
	Проверете за правилния размер дорник.		
„Дорниково изплъзване“ - челюстите няма да захващат дорника	Износени или мръсни опасни челюсти.	Почистете или подновете, ако е необходимо	11
	’Недостатъчно въздушно налягане/обем.	Увеличете налягането/обема на въздуха	
	’Превключвателят на опасната челюст не работи.	Сменете превключвателя	
	’Въздухът изтича към опасните челюсти.	Подновете „О“ пръстените на буталото	
	Дорникът е счупен и не достига опасните челюсти.	Сменете дорника	
Неизправност в пневматичната контролна кутия.	Свържете се с персонала на Stanley Engineered Fastening		
Челюстите няма да освободят дорника	Мръсни опасни челюсти или корпус на челюстите.	Почистете и смажете	37-38
	Дефектен превключвател на опасната челюст.	Сменете „О“ пръстените	
	Задържан въздушен сигнал Неизправност в пневматичната контролна кутия	Проверете пневматичните линии Свържете се с персонала на Stanley Engineered Fastening	
Закопчалките няма да се подават през носовите челюсти	Опасните челюсти не са включени.	Включете опасните челюсти	37-38
	Износени опасни челюсти.	Подновете опасните челюсти	
	Ориентацията на курсора е неправилна.	Повторно осигуряване на правилна ориентация	
	Неправилен курсор	Поставяне на правилния курсор	
	Неправилни носови челюсти	Поставете правилно носовите челюсти	
	Пружината на дорника не е поставена.	Поставете правилната пружина на дорника	
	Дължина на дорника	Поставете правилния дорник	
	Неправилна празнина между главата на закопчалката и челюстите на носа при натоварване.	Задайте разстояние на 1,5 мм - 3 мм (1/16 " - 1/8") Вижте "Зареждане на инструмента"	
	Прилепване на курсор.	Почистване и намазване на курсора	
	износен въздушен курсор	Подновете курсора	
Неправилно поставена пружина на дорника.	Поставете правилната пружина на дорника		
Износена или счупена възвратна пружина на цевта	Сменете възвратната пружина на цевта		
Прекомерно износване на челюстта на опашката	Високо натоварване на броша.	Проверете размера и дебелината на отвора за нанасяне и способността за захващане на крепежни елементи	
Подаване на повече от един крепежен елемент наведнъж	Изплъзване на дорника.	Проверете като за „Приплъзване на дорника“, етап 2	37-38
	Неправилна празнина между главата на закопчалката и челюстите на носа при натоварване	Задайте разстояние на 1,5 мм - 3 мм (1/16 " - 1/8") Вижте „Зареждане на инструмента“ на страница	

Други симптоми или повреди трябва да бъдат докладвани на вашия местен оторизиран дистрибутор или център за ремонт на Stanley Engineered Fastening.

ЗАБЕЛЕЖКИ

9. ЕО ДЕКЛАРАЦИЯ ЗА СЪОТВЕТСТВИЕ

Ние, **Stanley Engineered Fastening, Stanley House, Works Road, Letchworth Garden City, Hertfordshire, SG6 1JY UNITED KINGDOM**, декларираме изцяло на наша отговорност, че продукта:

Описание: Хидропневматичен повторяем инструмент за бързи нитове

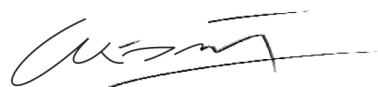
Модел: 07536

за който тази декларация се отнася, е в съответствие със следните хармонизирани стандарти:

ISO 12100:2010	EN ISO 3744:2010
EN ISO 11202:2010	EN ISO 11148-1:2011
EN ISO 4413:2010	BS EN 28662-1:1993
EN ISO 4414:2010	EN ISO 20643:2008+A1:2012
EN ISO 28927-5:2009+A1:2015	ES100118-rev 17:2017

Техническата документация е съставена в съответствие с приложение VII, в съгласие със следната Директива: **2006/42/ЕО Директивата за машините** (Задължителни инструменти 2008 № 1597 - Правилата за доставка на машини (безопасност) се отнасят).

Долуподписаният прави тази декларация от името на STANLEY Engineered Fastening



A. K. Seewraj

Директор на инженеринга, Великобритания

Avdel UK Limited, Stanley House, Works Road, Letchworth Garden City, Hertfordshire, SG6 1JY UNITED KINGDOM

Място на издаване: Letchworth Garden City, Великобритания

Дата на издаване: 01-01-2021

Долуподписаният е отговорен за съставянето на техническото досие за продукти, продавани в Европейския съюз, и изготвя тази декларация от името на Stanley Engineered Fastening.

Матиас Апел

Техническа документация на ръководителя на екипа

Stanley Engineered Fastening, Tucker GmbH, Max-Eyth-Str.1, 35394 Gießen, Германия



Тази машина е в съответствие с
Директива за машините 2006/42/ЕО

10.ДЕКЛАРАЦИЯ ЗА СЪОТВЕТВИЕ В ОБЕДИНЕНОТО КРАЛСТВО

Ние, **Stanley Engineered Fastening, Stanley House, Works Road, Letchworth Garden City, Hertfordshire, SG6 1JY UNITED KINGDOM**, декларираме изцяло на наша отговорност, че продукта:

Описание: Хидропневматичен повторяем инструмент за бързи нитове


Модел: 07536

за който тази декларация се отнася, е в съответствие със следните предопределени стандарти:

ISO 12100:2010	EN ISO 3744:2010
EN ISO 11202:2010	EN ISO 11148-1:2011
EN ISO 4413:2010	BS EN 28662-1:1993
EN ISO 4414:2010	EN ISO 20643:2008+A1:2012
EN ISO 28927-5:2009+A1:2015	ES100118-rev 17:2017

Техническата документация е съставена в съответствие с Наредбите за доставка на машини (безопасност) от 2008 г., S.I. 2008/1597 (с измененията).

Долуподписаният прави тази декларация от името на STANLEY Engineered Fastening



A. K. Seewraj

Директор на инженеринга, Великобритания

Avdel UK Limited, Stanley House, Works Road, Letchworth Garden City, Hertfordshire,
SG6 1JY UNITED KINGDOM

Място на издаване: Letchworth Garden City, Великобритания

Дата на издаване: 01-01-2021

**UK
SA**

Тази машина е в съответствие с
Правила за доставка на машини (безопасност) 2008 г.,
S.I. 2008/1597 (изменен)

11. ЗАЩИТЕТЕ СВОЯТА ИНВЕСТИЦИЯ!

Stanley® Engineered Fastening ГАРАНЦИЯ ЗА ИНСТРУМЕНТ ЗА СЛЕПИ НИТОВЕ

STANLEY® Engineered Fastening гарантира, че вашите електроинструменти са произведени с внимание, и че няма да имат дефекти в материала и изработката при нормална употреба и сервизиране за периода от една (1) година.

Тази гаранция е приложима само за първият собственик, закупилият този инструмент.

Изключения:

Нормално износване.

Периодичната поддръжка, ремонт и подмяна на части поради нормално износване не са включени в тази гаранция.

Неправилна употреба и злоупотреба.

Дефект или повреда, която е резултат от неправилна експлоатация, съхранение, неправилна употреба или злоупотреба, злополука или небрежност, като физическо увреждане, са изключени от тази гаранция.

Неупълномощено сервизиране или промяна.

Дефекти или щети, произтичащи от обслужване, регулиране чрез тестове, инсталиране, поддръжка, промяна или модификация по никакъв начин от някой друг освен STANLEY® Engineered Fastening, или упълномощените негови сервизни центрове, са изключени от гаранцията.

Всички други гаранции, независимо дали преки или косвени, включително гаранции за продаваемост или пригодност също са изключени от гаранцията.

Ако този инструмент не успее да отговаря на гаранцията, своевременно върнете инструмента на най-близкият до вас заводски упълномощен сервизен център. За списък на STANLEY® Engineered Fastening упълномощени сервизни центрове в САЩ или Канада, се свържете с нас на нашия безплатен номер (877)364 2781.

За страните извън САЩ и Канада, посетете нашият уебсайт www.StanleyEngineeredFastening.com, за да намерите най-близкият до вас STANLEY Engineered.

STANLEY Engineered Fastening ще смени безплатно всяка част или части, които според нас са дефектни по причина на материала или изработката, и ще върне инструмента предплатено. Това е нашето единствено задължение под тази гаранция.

В никакъв случай STANLEY Engineered Fastening не носи отговорност за каквито и да било последващи или специални щети, произтичащи от покупката или използването на този инструмент.

Регистрирайте своя инструмент за слепи нитове онлайн.

За да регистрирате онлайн своята гаранция, отидете на <https://www.stanleyengineeredfastening.com/support/warranty-registration-form>

Благодарим, че избрахте инструмент от марката STANLEY® Engineered Fastening's Stanley Assembly Technologies Brand.

©2021 Stanley Black & Decker inc.
Sva prava pridržana.

Navedene informacije ne smiju se reproducirati i/ili činiti dostupnima javnosti na bilo koji način (elektronički ili mehanički) bez prethodnog izričitog i pisanog odobrenja tvrtke STANLEY Engineered Fastening. Navedene informacije temelje se na podacima poznatima u trenutku predstavljanja ovog proizvoda. STANLEY Engineered Fastening stalno uvodi poboljšanja proizvoda, koji su stoga podložni promjenama. Navedene informacije primjenjive su na proizvode tvrtke STANLEY Engineered Fastening. Tvrtka STANLEY Engineered Fastening stoga se ne može smatrati odgovornom ni za kakve štete proizašle iz odstupanja od izvornih specifikacija proizvoda.

Dostupne informacije sastavljene su krajnje pažljivo. Međutim, STANLEY Engineered Fastening ne može prihvatiti nikakvu odgovornost za pogrešne informacije ni njihove posljedice. STANLEY Engineered Fastening neće prihvatiti nikakvu odgovornost za štete proizišle iz aktivnosti i postupaka trećih strana. Radni i trgovački nazivi, registrirani zaštitni znakovi itd. koje koristi STANLEY Engineered Fastening neće se smatrati besplatnima ili slobodno dostupnima, sukladno zakonskim propisima o zaštiti zaštićenih znakova.

1. SIGURNOSNE DEFINICIJE	58
1.1 OPĆA SIGURNOSNA PRAVILA	58
1.2 OPASNOSTI OD LETEĆIH PREDMETA.....	58
1.3 OPASNOSTI PRI UPOTREBI.....	59
1.4 OPASNOSTI VEZANE UZ PONAVLJAJUĆE POKRETE.....	59
1.5 OPASNOSTI OD PRIBORA	59
1.6 OPASNOSTI NA RADNOME MJESTU	59
1.7 OPASNOSTI OD BUKE.....	59
1.8 OPASNOSTI OD VIBRACIJA.....	59
1.9 DODATNE SIGURNOSNE UPUTE ZA PNEUMATSKE I HIDRAULIČKE ALATE	60
2. SPECIFIKACIJE	61
2.1 SPECIFIKACIJA ZA ALAT 07536.....	61
2.2 SPECIFIKACIJA ZA POJAČIVAČ 07531	61
3. NAMJENA	62
3.1 DIMENZIJE ALATA - MODEL 07536.....	62
4. PUŠTANJE U POGON	63
4.1 DOVOD ZRAKA.....	63
4.2 POKAZIVAČI ZA ZRAK.....	64
4.3 UMETANJE I PONOVO UMETANJE ALATA	64
4.4 PROCEDURA RADA.....	66
5. SERVISIRANJE ALATA.....	67
5.1 PNEUMATSKA UPRAVLJAČKA KUTIJA.....	67
5.2 SVAKODNEVNO.....	67
5.3 TJEDNO	67
5.4 SIGURNOSNI PODACI ZA MOLI-LITIJSKO MAZIVO EP 3753	67
5.5 SERVISNI KOMPLET.....	68
5.6 ALAT ZA USMJERIVAČ ZRAKA, POJAČIVAČ I SKLOP UPRAVLJAČKE KUTIJE 07536-02100.....	69
6. ODRŽAVANJE	70
6.1 DEMONTIRANJE 07536-02200	70
6.2 OPĆI SKLOP OSNOVNOG ALATA 07536-02200.....	72
6.3 POPIS DIJELOVA OSNOVNOG ALATA 07536-02200	73
6.4 UPUTE ZA RASTAVLJANJE	74
6,5 ZAŠTITA OKOLIŠA.....	75
6.6 POJAČIVAČ 07531-02200	75
7. MAZANJE TEMELJNIM PREMAZOM.....	77
7.1 POJEDINOSTI O ULJU.....	77
7.2 SIGURNOSNI PODACI ULJA HYPIN® VG32 I AWS 32	77
7.3 POSTUPAK PRIPREME.....	77
8. DIJAGNOSTIKA POGREŠAKA	78
9. IZJAVA O SUKLADNOSTI EZ-a	80
10. IZJAVA O SUKLADNOSTI UK-a	81
11. ZAŠTITITE SVOJE ULAGANJE!	82



Ovaj priručnik s uputama moraju pročitati sve osobe koje postavljaju ili koriste ovaj alat, uz poseban naglasak na sljedeća sigurnosna pravila.



Tijekom upotrebe alata uvijek nosite zaštitu za oči otpornu na udarce. Provjerite potreban stupanj zaštite prije svake upotrebe.



Upotrijebite zaštitu za sluh prema uputama poslodavca i sukladno sigurnosnim propisima za zaštitu zdravlja na radnom mjestu.



Upotreba alata može ruke korisnika izložiti rizicima kao što su prignječenja, udarci, posjekotine, ogrebotine i opekline. Nosite odgovarajuće rukavice kako biste zaštitili ruke.

1. SIGURNOSNE DEFINICIJE

Definicije navedene u nastavku opisuju razinu ozbiljnosti svih upozorenja. Pročitajte priručnik i obratite pažnju na ove simbole.

⚠ OPASNOST: Označava neposrednu opasnu okolnost koja će, ako se ne izbjegne, rezultirati smrću ili ozbiljnim ozljedama.

⚠ UPOZORENJE: Označava potencijalno opasnu okolnost koja, ako se ne izbjegne, može rezultirati smrću ili ozbiljnim ozljedama.

⚠ OPREZ: Označava potencijalno rizičnu okolnost koja, ako se ne izbjegne, može rezultirati manjim ili srednje teškim ozljedama.

⚠ OPREZ: Upotrijebljeno bez simbola sigurnosnog upozorenja, naznačava potencijalno opasnu okolnost koja, ako se ne izbjegne, može rezultirati materijalnom štetom.

Nepravilna upotreba ili održavanje ovog proizvoda mogu rezultirati ozbiljnim ozljedama ili materijalnom štetom. Prije upotrebe ovog proizvoda pročitajte i usvojite sva upozorenja i upute. Tijekom korištenja električnih alata uvijek se pridržavajte osnovnih sigurnosnih mjera kako biste smanjili rizik od tjelesnih ozljeda.

SVA UPOZORENJA I UPUTE ČUVAJTE ZA SLUČAJ POTREBE

1.1 OPĆA SIGURNOSNA PRAVILA

- Pročitajte sigurnosne upute prije postavljanja, upotrebe, popravaka, održavanja alata i promjene pribora na alatu, kao i prije rada u blizini alata. U suprotnom može doći do teških ozljeda.
- Alat mogu postavljati, podešavati i upotrebljavati samo stručne osobe.
- Upotrebjavajte samo za postavljanje slijepih zakovica tvrtke STANLEY Engineered Fastening.
- Upotrebjavajte samo dijelove, vijke i pribor koje preporučuje proizvođač.
- NEMOJTE modificirati alat. Modifikacije mogu smanjiti učinkovitost mjera sigurnosti i povećati rizik za korisnika. Bilo kakva modifikacija alata koju poduzme korisnik bit će isključivo njegova odgovornost i poništiti će sva primjenjiva jamstva.
- Nemojte odbacivati sigurnosne upute. Predajte ih korisniku.
- Nemojte upotrebljavati alat ako je oštećen.
- Prije upotrebe provjerite ima li kakvih otklona ili savijenih pokretnih dijelova, napuknuća ili bilo kakvih drugih stanja koja mogu utjecati na rad alata. U slučaju oštećenja servisirajte alat prije daljnje upotrebe. Prije upotrebe uklonite sve ključeve za podešavanje, alate i sl.
- Alate treba povremeno pregledavati radi provjere jesu li oznake koje zahtijeva ISO 11148 čitljivo označene. Zaposlenik/korisnik treba se obratiti proizvođaču kako bi po potrebi pribavio zamjenske oznake.
- Alat treba održavati tako da bude siguran za uporabu i redovito provjeravati od strane stručnog osoblja. Bilo kakvo rastavljanje smiju obavljati samo stručne osobe. Nemojte rastavljati ovaj alat prije nego što pročitate upute za uporabu.

1.2 OPASNOSTI OD LETEĆIH PREDMETA

- Prije bilo kakvog održavanja, podešavanja, priključivanja ili uklanjanja nosnog sklopa ili opreme odvojite alat od dovoda zraka.
- Napominjemo da uslijed pogrešaka u radnom materijalu, priboru, pa čak i samom umetnutom alatu može doći do opasnosti uslijed predmeta koji se odbacuju i lete velikom brzinom.
- Tijekom upotrebe alata uvijek nosite zaštitu za oči otpornu na udarce. Provjerite potreban stupanj zaštite prije svake upotrebe.
- Potrebno je uzeti u obzir i rizike za druge osobe.
- Provjerite je li radni materijal dobro učvršćen.
- Provjerite jesu li poduzete odgovarajuće mjere zaštite od izbačenih pričvršćivača ili njihovih vretena.
- Upozorite druge osobe na vretena koja se mogu velikom brzinom izbaciti iz prednjeg dijela alata.
- Alat NEMOJTE usmjeravati prema drugim osobama.

1.3 OPASNOSTI PRI UPOTREBI

- Upotreba alata može izložiti ruke korisnika rizicima, kao što su prignječenja, udarci, posjekotine, ogrebotine i opekline. Nosite odgovarajuće rukavice kako biste zaštitili ruke.
- Korisnici i osoblje koje radi na održavanju moraju biti fizički sposobni nositi se s dimenzijama, masom i snagom alata.
- Pravilno držite alat. Budite spremni oduprijeti se uobičajenim i naglim kretnjama. Neka vam obje ruke budu dostupne.
- Rukohvate alata održavajte suhima, čistima te bez ulja i masti.
- Prilikom upotrebe alata održavajte tijelo u ravnoteži i zauzmite stabilan položaj.
- Oslobodite uređaj start-stop u slučaju prekida rada hidraulike.
- Upotrebljavajte samo maziva koja preporučuje proizvođač.
- Izbjegavajte kontakt s hidrauličnom tekućinom. Ako dođe do kontakta, dobro operite kako biste smanjili mogućnost osipa.
- Tablice s podacima o sigurnosti materijala za sva hidraulična ulja i maziva dostupni su na zahtjev putem dobavljača alata.
- Izbjegavajte neprikladne položaje tijela jer oni vjerojatno neće omogućiti odupiranje uobičajenim ili neočekivanim kretnjama alata.
- Ako je alat fiksiran za suspenzijski uređaj, provjerite je li dobro učvršćen.
- Ako nosna oprema nije postavljena, pazite da vas alat ne prignječi ili ne uklješti.
- NEMOJTE upotrebljavati alat ako je nosno kućište uklonjeno.
- Prije nastavka rada osigurajte dovoljno prostora za ruke.
- Prilikom prenošenja alata držite ruke podalje od okidača kako ne biste slučajno aktivirali alat.
- NEMOJTE zlorabiti alat tako da ga ispuštate ili koristite kao čekić.
- Istrošeni trnovi mogu dovesti do opasnih situacija.

1.4 OPASNOSTI VEZANE UZ PONAVLJAJUĆE POKRETE

- Prilikom upotrebe alata možda ćete osjetiti nelagodu u šakama, rukama, ramenima, vratu ili drugim dijelovima tijela.
- Prilikom upotrebe alata zauzmite udoban, ali stabilan položaj i pazite da ne izgubite ravnotežu. Tijekom dulje upotrebe mijenjajte položaj kako biste izbjegli nelagodu i umor.
- Ako osjetite stalnu ili ponavljajuću nelagodu, bol, probadanje, trnce, utrnulost, peckanje ili ukočenost, nemojte zanemarivati te znakove upozorenja. Obavijestite poslodavca ili se obratite liječniku.

1.5 OPASNOSTI OD PRIBORA

- Odvojite alat od dovoda zraka prije postavljanja ili uklanjanja nosnog sklopa ili opreme.
- Upotrebljavajte samo pribor i potrošni materijal onih dimenzija i vrsta koje preporučuje proizvođač alata. Nemojte upotrebljavati pribor ili potrošni materijal drugih vrsta ili dimenzija.

1.6 OPASNOSTI NA RADNOME MJESTU

- Klizanje, spoticanje i padovi glavni su uzroci ozljeda na radnome mjestu. Čuvajte se klizavih površina uzrokovanih upotrebom alata i pazite da se ne spotaknete na crijevo za dovod zraka ili crijevo hidraulike.
- Budite oprezni u nepoznatim okruženjima. Može biti skrivenih opasnosti, kao što su električni i drugi vodovi.
- Alat nije predviđen za upotrebu u potencijalno eksplozivnoj okolini i nije izoliran od kontakta s električnom strujom.
- Provjerite ima li električnih kabela, plinskih cijevi i sl. kako ne bi došlo do opasnosti uslijed njihovog oštećenja alatom.
- Nosite odgovarajuću odjeću. Ne nosite široku odjeću ili nakit. Kosu, odjeću i rukavice uvijek držite podalje od pokretnih dijelova. Pokretni dijelovi mogu zahvatiti labavo obučenu odjeću, nakit ili dugu kosu.
- Istrošeni trnovi mogu dovesti do opasnih situacija.

1.7 OPASNOSTI OD BUKE

- Izloženost visokim razinama buke može prouzročiti trajni gubitak sluha i druge poteškoće, kao što je tinitus (zujanje u ušima). Stoga je ključno provjeriti rizik i promijeniti odgovarajuće mjere zaštite.
- Odgovarajuće mjere za zaštitu od rizika mogu obuhvaćati izolirajuće materijale koji sprječavaju „odzvanjanje“ radnog materijala.
- Upotrijebite zaštitu za sluh prema uputama poslodavca i sukladno sigurnosnim propisima za zaštitu zdravlja na radnom mjestu.
- Alat koristite i održavajte prema preporukama u priručniku s uputama kako biste spriječili nepotrebno povećanje buke.

1.8 OPASNOSTI OD VIBRACIJA

- Izloženost vibracijama može uzrokovati oštećenje živaca te krvotoka u šakama i rukama.
- Nosite toplu odjeću prilikom rada u hladnim uvjetima kako bi vam šake ostale tople i suhe.
- Ako osjetite utrnulost, trnce, bol ili primijetite da vam je koža na prstima ili šakama pobijelila, prekinite s upotrebom alata te obavijestite poslodavca i liječnika.
- Ako je moguće, poduprite alat stalkom ili sl. kako ga ne biste morali previše čvrsto držati.

1.9 DODATNE SIGURNOSNE UPUTE ZA PNEUMATSKE I HIDRAULIČKE ELEKTRIČNE ALATE

- Radni tlak ne smije prijeći 7 bara (100 PSI).
- Ulje pod tlakom može prouzročiti teške ozljede.
- Pokrenut alat ne ostavljajte bez nadzora. Odvojite crijevo za dovod zraka dok alat nije u upotrebi, prije promjene pribora ili prilikom obavljanja popravaka.
- NE usmjeravajte zrak iz ispuha na spremniku trnova prema rukovatelju ili drugim osobama. Zrak nikada nemojte usmjeravati prema sebi ili drugim osobama.
- Crijeva koja se odvoje mogu prouzročiti teške ozljede. Uvijek provjerite jesu li neka crijeva ili pričvrtni dijelovi oštećeni ili labavi.
- Prije upotrebe provjerite jesu li oštećeni zračni vodovi te jesu li svi priključci dobro spojeni. Na crijeva nemojte ispuštati teške predmete. Snažan udarac može uzrokovati unutarnje oštećenje i uzrokovati neispravnost crijeva.]
- Hladan zrak nemojte usmjeravati prema rukama.
- Prilikom svake upotrebe zakretnih (čeljusnih) spojnica potrebno je postaviti učvrstne klinove. Upotrijebite sigurnosne kabele kako biste se zaštitili od crijeva koje se može odvojiti od alata ili drugog crijeva.
- Alat za postavljanje NEMOJTE podizati držeći ga za nos. Uvijek upotrebljavajte rukohvat alata za postavljanje.
- Ventilacijski otvori ne smiju se blokirati ni prekrivati.
- Prljavštinu i strane tvari držite podalje od hidrauličkog sustava alata jer to uzrokuje kvar.
- Ulje pod tlakom može prouzročiti teške ozljede.
- Prije upotrebe provjerite jesu li crijeva neoštećena. Svi hidraulički priključci moraju biti čisti, potpuno spojeni i čvrsti. Na crijeva nemojte ispuštati teške predmete. Snažan udarac može prouzročiti unutarnje oštećenje i prouzročiti neispravnost crijeva.
- Pojačivač NEMOJTE pomicati povlačenjem za crijeva. Uvijek upotrijebite ručku uređaja.
- Uvijek se koristite čistim uljem i opremom za punjenje.
- Upotrebljavajte samo preporučene hidrauličke tekućine.
- Maksimalna temperatura hidrauličke tekućine na ulazu je 100°C (212°F).

▲ UPOZORENJE: Iako se prirodno pojavljuje mala količina trošenja i ogrebotina tijekom uobičajene i pravilne uporabe vretena, potrebno je redovito provjeravati ima li na njima prekomjernog trošenja i ogrebotina, uz posebnu pozornost na promjer glave, zahvatno područje stražnjih čeljusti osovine ili jaku točkastu koroziju i izobličenje vretena. Vretena koja zakažu tijekom uporabe mogu prisilno izaći iz alata. Kupac je odgovoran osigurati da se vretena zamijene prije postizanja prekomjernih razina trošenja i uvijek prije maksimalnog preporučenog broja postavljanja. Obratite se predstavniku tvrtke STANLEY Engineered Fastening koji će vas obavijestiti koja je to veličina tako što će izmjeriti opterećenje šiljka primjene s našim kalibriranim mjernim alatom.

Tvrtka STANLEY Engineered Fastening teži stalnom razvoju i poboljšavanju svojih proizvoda te zadržava pravo promjene specifikacija bilo kojeg proizvoda bez prethodne najave.

2. SPECIFIKACIJE

2.1 SPECIFIKACIJA ZA ALAT 07536

Tlak zraka	Minimum - maksimum	5-7 bara (70 - 100 lbf/in ²)
Potreban slobodni volumen zraka	@ 5,1 bar /75 lbf/in ²	2,6 litara (0,09 ft ³)
Potez	Minimalni	25 mm (1 in)
Sila povlačenja	@ 5,5 bar /80 lbf/in ²	3,89 kN (875 lbf)
Vrijeme ciklusa	Približno	1 sekunda
Masa	Pištalj	1,2 kg (2.64 lb)

2.2 SPECIFIKACIJA ZA POJAČIVAČ 07531

Tlak zraka	Minimum - maksimum	5-7 bara (70-100 lbf/in ²)
Omjer pojačavanja		32:1

Vrijednosti buke prema standardu ISO 15744 i ISO 3744.		07536
A-ponderirana snaga zvuka dB(A), L_{WA}	Nesigurnost buke: $k_{WA} = 2.3$ dB(A)	79.5 dB(A)
A-ponderirana razina zvučnog tlaka na radnome mjestu dB(A), L_{pA}	Nesigurnost buke: $k_{pA} = 2.3$ dB(A)	68.5 dB(A)
C-ponderirana vršna razina zvučnog tlaka dB(C), L_{pC} , vrh	Nesigurnost buke: $k_{pC} = 2.5$ dB(C)	96.9 dB(C)
Vibracije procijenjene prema standardima testiranja ISO 20643 i ISO 5349.		07536
Razina emisija vibracija, a_{hd} :	Nesigurnost vibracija: $k = 0.25$ m/s ²	0.97 m/s ²
Deklarirane vrijednosti emisije vibracija sukladno smjernici EN 12096		

3. NAMJENA

Pneumatski alat tipa 07536 ručni je lagani alat predviđen za postavljanje 1/16" Avlug® što ga čini idealnim za montažu u serije ili u istoj razini u širokom rasponu primjena u svim industrijama.

Ručni alat i pojačivač su testirani kao zasebne stavke i kombinirano. Njih je potrebno upotrebljavati isključivo zajedno i ni za jednu drugu svrhu. Proučite „Puštanje u rad“ na stranici 63-66 za podatke o povezivanju.

Prikazani su brojevi dijelova za narudžbu kompletnog alata, ali ne i opremu za nos.

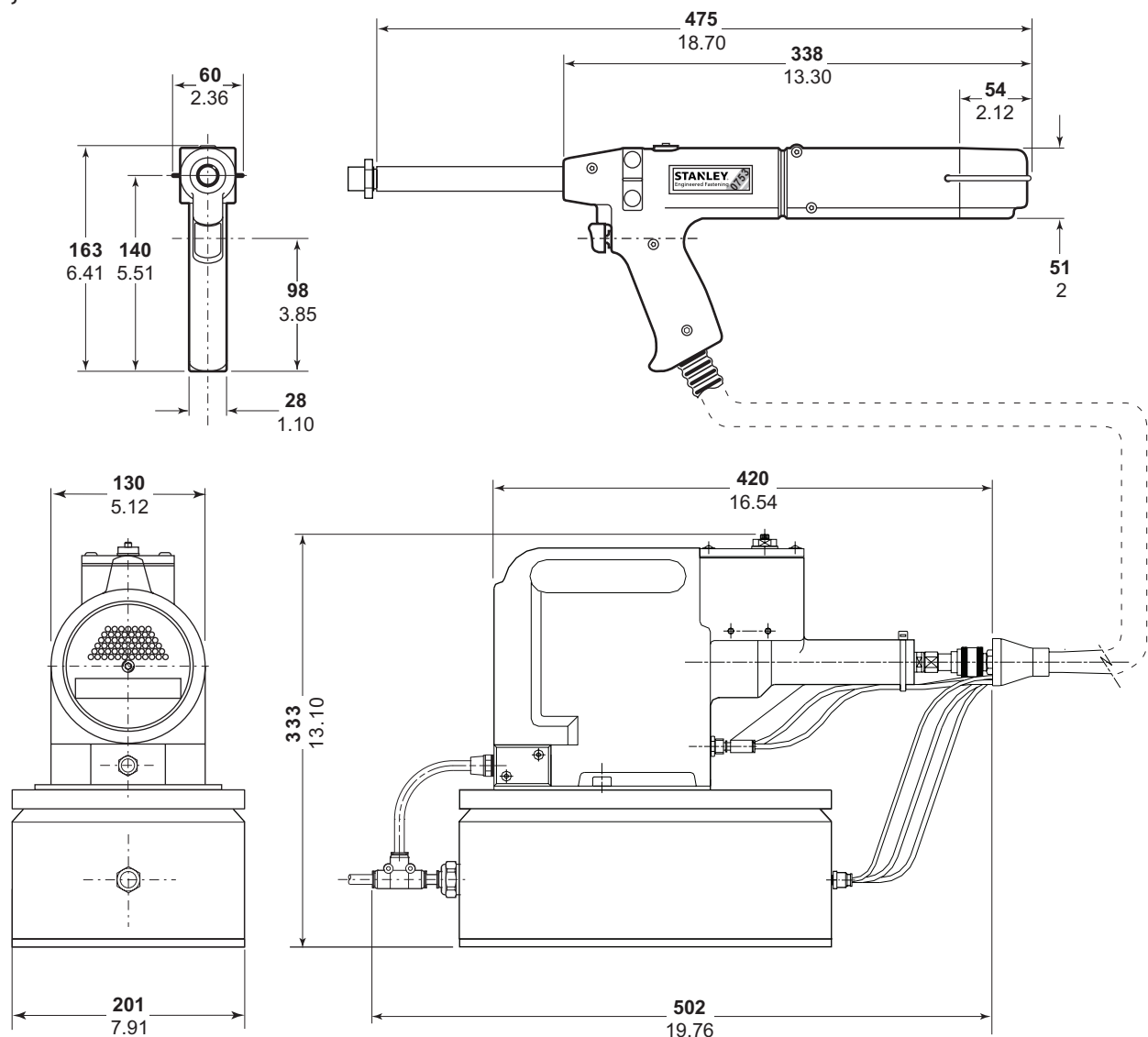
Broj alata za model 07536 je 07536-02200.

Pogledajte općenitu montažu na stranicama 69-76.

NEMOJTE upotrebljavati u vlažnim uvjetima ili u prisutnosti zapaljivih tekućina i plinova.

3.1 DIMENZIJE ALATA - MODEL 07536

Broj dijela 07536-02100



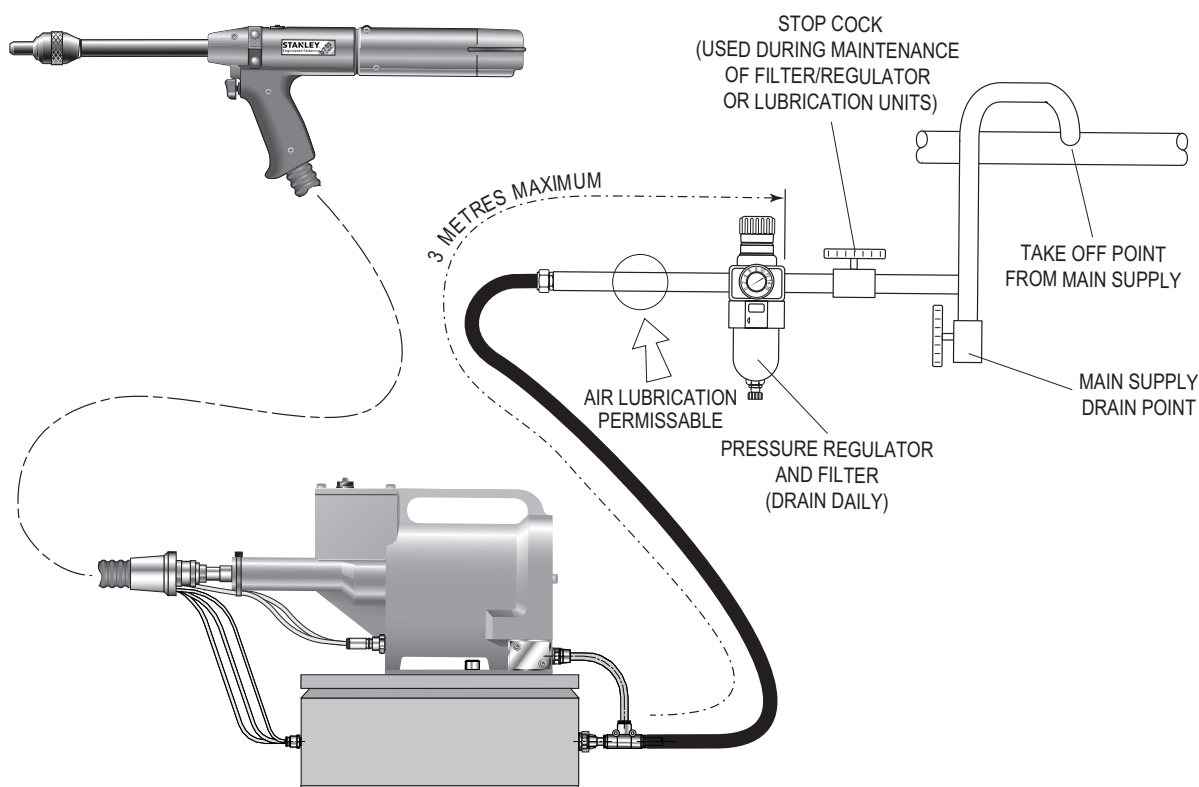
Dimenzije u mm.

4. PUŠTANJE U POGON

4.1 DOVOD ZRAKA

Svi alati rade na komprimirani zrak kod optimalnog tlaka od 5,5 bara. Preporučujemo upotrebu regulatora tlaka i sustave automatskog uljenja/filtriranja na glavnom dovodu zraka. Kako bi se osigurao maksimalni vijek trajanja alata i minimalna potreba za održavanjem alata, potrebno ih je postaviti unutar 3 metra od alata (vidi donji dijagram).

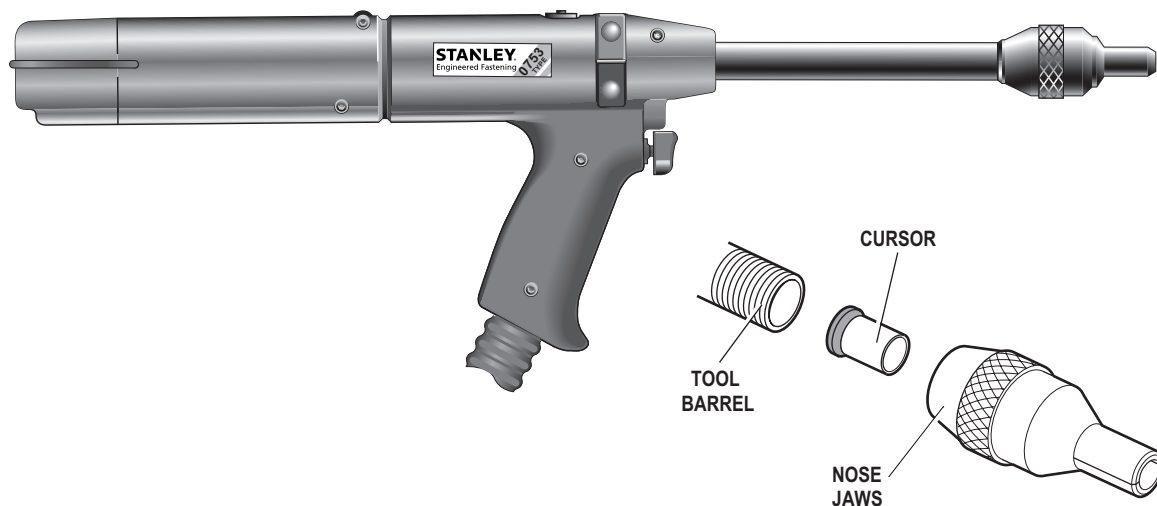
Crijeva dovoda zraka moraju imati minimalni učinkoviti radni tlak od 150 % maksimalnog tlaka proizvedenog u sustavu ili 10 bara, ovisno o tome što je više. Crijeva za zrak moraju biti otporna na ulja, imati vanjski dio otporan na abrazije i biti zaštićena s vanjske strane, ako radni uvjeti mogu dovesti do njihovog oštećenja. Crijeva za dovod zraka MORAJU imati promjer otvora minimalno 6,4 milimetra ili 1/4 inča.



Prilikom spajanja alata na pojačivač i glavni dovod zraka slijedite dolje navedene korake:

- Gurnite kraj većeg hidrauličkog crijeva iz alata u konektor za brzo otpuštanje na kraju pojačivača.
- Na prednjoj strani pojačivača (Proučite stranicu 69):
 - Gurnite plavi pneumatski (4 mm OD) vod u priključak reduktora koji se nalazi na lijevoj strani pregradnog konektora.
 - Gurnite crni pneumatski (4 mm OD) vod u plastičnu spojnicu s desne strane pregradnog konektora.
- Na prednjoj strani upravljačke kutije (Proučite stranicu 69):
 - Gurnite srebrni pneumatski (3 mm OD) vod u reduktor s oznakom „pokazivač“ na prednjoj strani upravljačke kutije - lijeva strana.
 - Gurnite zeleni pneumatski (4 mm OD) vod u reduktor s oznakom „stražnja čeljust“ na prednjoj strani upravljačke kutije - sredina.
 - Gurnite bijeli pneumatski (4 mm OD) vod u reduktor s oznakom „signal“ na prednjoj strani upravljačke kutije - desna strana.
- Postavite pneumatsko crijevo između muškog konektora na stražnjoj strani pojačivača i glavnog dovoda zraka.

4.2 POKAZIVAČI ZA ZRAK



Odabir pokazivača za zrak

Pogledajte zaseban tehnički list 07900-00863 za komponente sklopa nosa.

POKAZIVAČ

VAŽNO

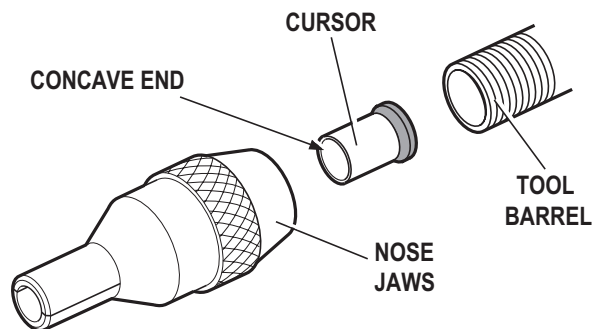
Ako se postavi nepravilno, pokazivač neće omogućiti umetanje alata i punjenje pričvršćivačima.

Iako je usmjerivač prilikom isporuke alata postavljen pravilno, preporučujemo da provjerite njegov smjer prije postavljanja nosne opreme. Malo konkavni kraj usmjerivača treba gledati prema prednjem dijelu alata prema prikazu na ilustraciji.

Da biste promijenili smjer pokazivača, slijedite ove korake:

Pri izvođenju sljedećeg postupka potrebno je biti izuzetno oprezan. Potrebno je paziti da se izbjegne cilindrični dio i trn koji strši.

- Skinite nosni sklop ako je tamo.
- Umetnite prazan trn u potpunosti u alat.
- Zatvorite zadnje čeljusti **32** uključivanjem na prekidaču zadnjih čeljusti (stavke **18** i **19**).
- Pokazivač će iskočiti od cilindričnog dijela nakon kratke odgode.
- Otvorite zadnje čeljusti **32** isključivanjem na prekidaču (stavke **18** i **19**), time će setrn osloboditi.
- Skinite pokazivač s trna i trn umetnite u cilindrični dio.



4.3 UMETANJE I PONOVRNO UMETANJE ALATA

VAŽNO

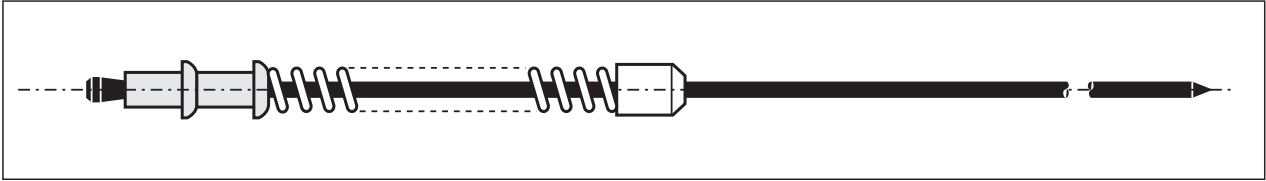
Postupak umetanja alata i pričvršćenja opreme nosa na alat je sastavni dio.

Prilikom naručivanja cjelokupnog alata ili sustava obično ćete dobiti svu opremu nosa koja je potrebna za postavljanje pričvršćivača.

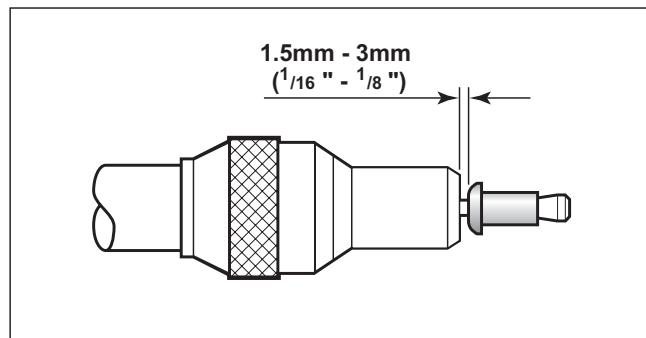
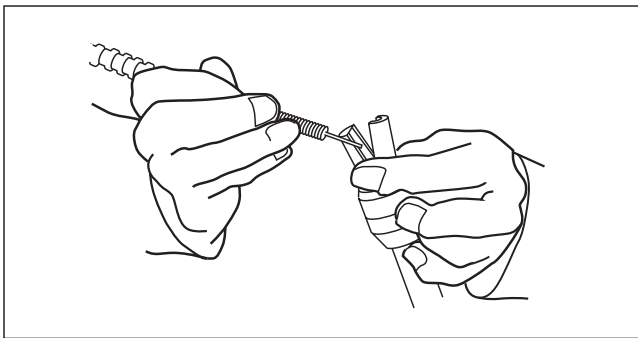
Ako vam je isporučena nosna čeljust, trnovi i prateće opruge, nastavite s umetanjem alata i pričvršćivanjem opreme nosa kako je prikazano ispod.

Umetanje alata

- Priključite dovod zraka na alat.
- Otvorite zadnje čeljusti **32** koje zahvaćaju trn isključivanjem prekidača zadnjih čeljusti (stavke **18 i 19**).
- Vijcima zategnite odabrane nosne čeljusti na cjevasti dio **44** alata.
- * Umetnite trn u stražnji kraj pričvršćivača kroz papirnu podlošku.
- Gurnite slijednu oprugu trna na trn i osigurajte pravilan smjer.



- Uхватite stražnji kraj trna i otrgnite papirnu podlošku od zakovica.
- Otvorite nosne čeljusti tako da okrenete vanjski prsten na čeljustima upravljanim brijegom ili tako da gurnete krajeve čeljusti prema van prema prikazu dolje lijevo.
- Umetnite prethodno montirani trn, slijednu oprugu trna i pričvršćivače u nosne čeljusti, dok prvi pričvršćivač koji je postavljen ne izviri iz nosne čeljusti.
- Zatvorite nosnu čeljust i podesite tako da prvi pričvršćivač izviri za 1,5 mm - 3 mm ($1/16''$ do $1/8''$), kako je prikazano na ilustraciji dolje desno.
- Zatvorite zadnje čeljusti **32** kako biste bili sigurni da je trn zahvaćen, to učinite uključivanjem prekidača zadnjih čeljusti (stavke **18 i 19**).



Ponovno umetanje alata

- Otvorite zadnje čeljusti **32** alata isključivanjem zadnjih čeljusti (stavke **18 i 19**).
- Otvorite nosnu čeljust i izvucite prazan trn i prateću oprugu trna iz alata.
- Ponovno umetnite alat prema gornjim uputama, počevši na stupnju •*.

Postavljanje alata - samo podesivi sklop nosa

Umetnite prethodno sastavljeni trn (pogledajte Umetanje alata •*) ili trn za jednokratnu upotrebu do graničnika unutar sklopa klipa zadnje čeljusti **60**.

Dok držite trn, zatvorite zadnje čeljusti **32** koje hvataju trn, uključivanjem prekidača zadnje čeljusti (**18 i 19**).

Zavrnite blokirnu maticu na cilindrični dio **44** alata.

Zarotirajte sklop nosa na cilindrični dio **44**.

Namjestite sklop nosa tako da prvi pričvršćivač izviri za 1,5 mm-3 mm ($1/16''$ - $1/8''$), kako je prikazano na ilustraciji na stranici 65.

Zategnite blokirnu maticu na sklop nosa kako biste spriječili pomicanje sklopa nosne čeljusti.

Ponovno umetanje alata

Otvorite zadnju čeljust alata isključivanjem prekidača zadnje čeljusti. **(18-19)**.

Otvorite čeljust i izvucite prazan trn i slijednu oprugu iz alata.

Umetnite novi trn do graničnika unutar njega i zatvorite zadnje čeljusti **32** koje hvataju trn uključivanjem prekidača zadnje čeljusti **(18 i 19)**.

Zatvorite zadnje čeljusti **32**.

4.4 PROCEDURA RADA**VAŽNO**

Prije pokušaja rada s alatom, morate provjeriti jesu li usmjerenje usmjerivača i oprema nosa pravilni.

- Pritisnite pričvršćivač koji izviruje iz nosne čeljusti u potpunosti u rupe za primjenu, osiguravajući da alat ostane kvadratičan.
- Pokrećite okidač bez otpuštanja - glava trna se provlači kroz pričvršćivač, čime se pričvršćivač učvršćuje u mjestu primjene.
- Skinite alat.
- Otpustite okidač. Sljedeći pričvršćivač automatski će se pojaviti nosne čeljusti, spreman za postavljanje.

5. SERVISIRANJE ALATA

Redovite servise treba obavljati, a sveobuhvatni pregled treba napraviti jedanput godišnje ili svakih 500.000 ciklusa, ovisno o tome što je prije.

VAŽNO

Zaposlenik je dužan pobrinuti se da upute za održavanje budu predane odgovarajućem osoblju. Korisnik ne smije biti uključen u održavanje ili popravak alata ako nema potrebnu obuku.

5.1 PNEUMATSKA UPRLJAČKA KUTIJA

VAŽNO

Pneumatsku kutiju nije dopušteno otvarati ni pod kojim okolnostima. Kutija je zatvorena stavka. Unutarnje podešavanje je unaprijed izvedeno te je nije dopušteno modificirati ni na njoj vršiti zahvate. Upravljačku kutiju smije demontirati samo osoblje tvrtke STANLEY Engineered Fastening.

▲ OPREZ: Za čišćenje nemetalnih dijelova alata nemojte rabiti otapala ni druge agresivne kemikalije. Te kemikalije mogu oslabiti materijale od kojih su ovi dijelovi izrađeni.

5.2 SVAKODNEVNO

- Svakodnevno prije upotrebe ili pri prvom puštanju alata u rad. Ulijte nekoliko kapi čistog ulja za podmazivanje u ulaz zraka na pojačivaču ako je podmazivač pričvršćen na priključku za zrak. Ako je alat stalno u upotrebi, crijevo zraka treba odspojiti od glavnog dovoda, a alat podmazivati svaka dva-tri sata.
- Provjerite istječe li zrak ili ulje. Ako su oštećeni, crijeva i spojnice je potrebno zamijeniti.
- Ako na regulatoru tlaka nema filtra, propušite vodove zraka kako biste ih očistili od nakupljene nečistoće ili vode prije nego što priključite crijevi zraka na pojačivač. Ako je postavljen filter, ispraznite ga.
- Provjerite je li oprema nosa pravilna.
- Redovito provjeravajte ima znakova trošenja ili oštećenja na trnu prateći broj postavljanja (pročitajte upute o sigurnosti na stranici 58-60).

5.3 TJEDNO

- Provedite cjelokupni „dnevni“ postupak prema gornjem opisu.
- Skinite, pregledajte, očistite i podmažite zadnje čeljusti (proučite „Cilindar zadnjih čeljusti“ u poglavlju o održavanju na stranici 70).
- Provjerite je li razina ulja u rezervoaru jedinice pojačivača otprilike 12 mm (1/2") ispod prozirne pokrovne ploče.

5.4 SIGURNOSNI PODACI ZA MOLI-LITIJSKO MAZIVO EP 3753

Mazivo se može naručiti kao pojedinačni artikl, broj dijela prikazuje se u servisnom kompletu na stranici 68.

Prva pomoć

KOŽA:

Budući da je mast potpuno voodootporna, najbolje je se uklanja s odobrenim emulzijskim sredstvom za čišćenje kože.

GUTANJE:

Osigurajte pojedinačne napitke mlijeka s magnezijem od 30 ml, po mogućnosti u šalici mlijeka.

OČI:

Nadražujuće, ali nije štetno. Isperite vodom i potražite liječničku pomoć.

Požar

PLAMIŠTE: Iznad 220 °C.

Nije klasificirano kao zapaljivo.

Odgovarajući mediji za gašenje požara: CO₂, freon ili vodeni sprej ako ga primjenjuje iskusni rukovatelj.

Okoliš

Zbrinite za spaljivanje ili odlaganje na za to odobrenom mjestu.

Rukovanje

Upotrijebite zaštitnu kremu ili rukavice otporne na ulje.

Čuvanje

Daleko od topline i oksidirajućih tvari.

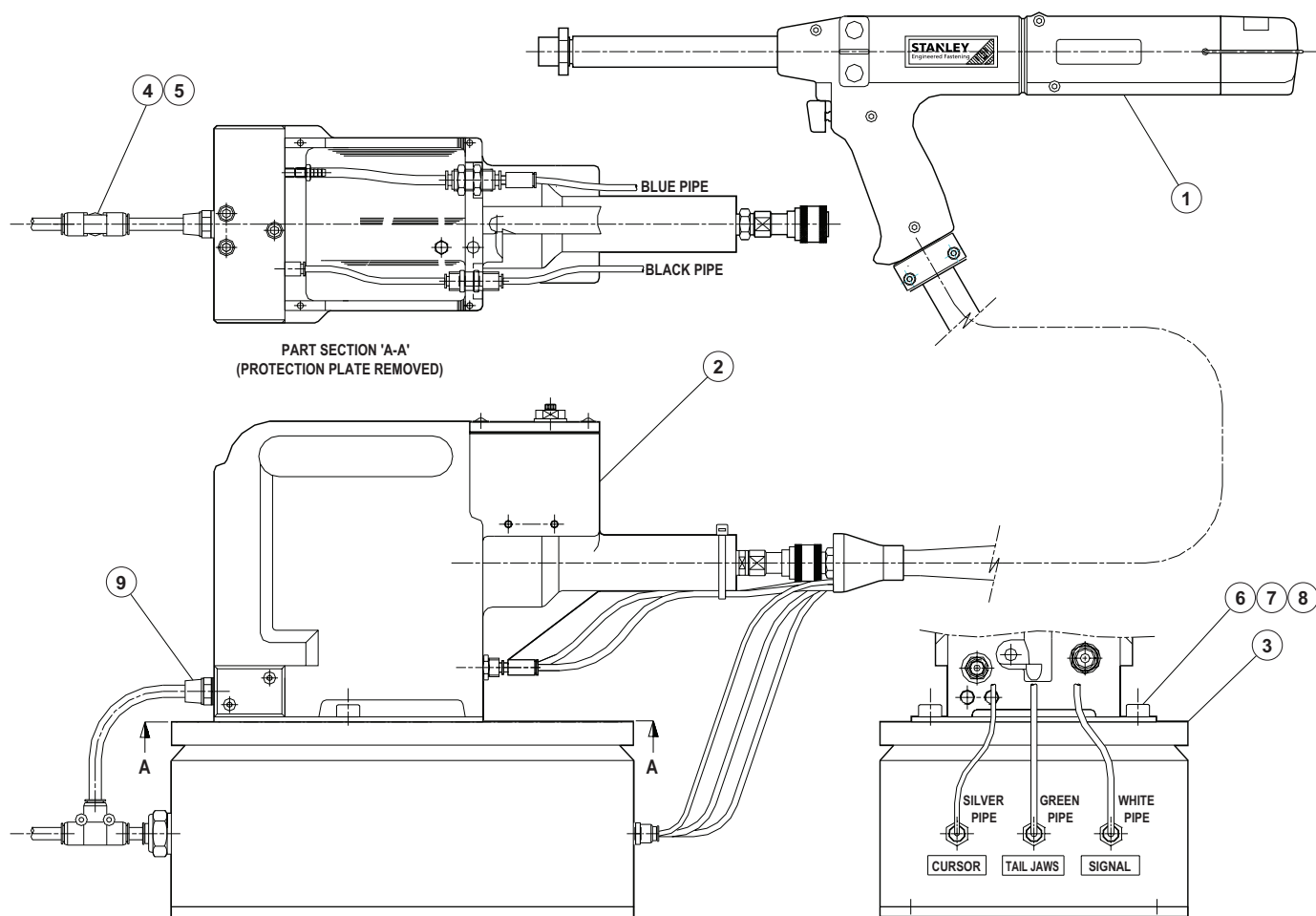
5.5 SERVISNI KOMPLET

Za sve poslove servisiranja preporučujemo upotrebu pribora za servisiranje (broj dijela 07900-05300).

SERVISNI KOMPLET					
BR. DIJELA	OPIS	N ^o ISKLJUČENO	BR. DIJELA	OPIS	N ^o ISKLJUČENO
07900-00157	KRUŽNA KLIJEŠTA	1	07900-00352	KUKA ZA UKLANJANJE BRTVE	1
07900-00006	LOPATICA	1	07900-00710	KLJUČ ZA SKIDANJE CILINDRIČNOG ČEPA	1
07900-00446	EKSTRAKTOR	1	07900-00725	TANE	1
07900-00603	ČELJUST CILINDRIČNOG ŠKRIPCA	1	07900-00243	ODVIJAČ	1
07900-00520	3/8" ŠIPKA	1	07900-00717	KLJUČ POJAČIVAČA	1
07900-00521	1/4" ŠIPKA	1	07900-00013	IMBUS KLJUČ 1/8"	1
07900-00602	TANE ZA MONTAŽU O-PRSTENA	1	07900-00617	PAKET LOCTITE® MULTI-GASKET 574 50 ml	1
07900-00595	MATIČNI KLJUČ OD 18 mm	1	07900-00469	IMBUS KLJUČ OD 2,5 mm	1
07900-00434	MATIČNI KLJUČ OD 32 mm	1	07900-00351	IMBUS KLJUČ OD 3 mm	1
07900-00237	3/8" × 5/16" B.S.W. MATIČNI KLJUČ	1	07900-00224	IMBUS KLJUČ OD 4 mm	1
07900-00012	MATIČNI KLJUČ 9/16" × 5/8"	1	07900-00225	IMBUS KLJUČ OD 5 mm	1
07900-00008	MATIČNI KLJUČ 7/16" × 1/2"	1	07992-00020	80 g KOSITRENO-MOLIBDENSKO-LITIJSKO MAZIVO EP 3753	1

Napomena: Dimenzije ključa mjere se 'između ravnina' ako nije navedeno drugačije.

5.6 ALAT ZA USMJERIVAČ ZRAKA, POJAČIVAČ I SKLOP UPRAVLJAČKE KUTIJE 07536-02100



STAVKA	Br. DIJELA	OPIS	Br ISKLJUČENO
1	07536-02200	RUČNI ALAT USMJERIVAČA ZRAKA	1
2	07531-02200	ALAT POJAČIVAČA	1
3	07007-02024	UPRAVLJAČKA KUTIJA USMJERIVAČA ZRAKA	1
4	07005-10071	T-KONEKTOR	1
5	07005-10072	8 MM CIJEVI (2,50 m)	1
6	74405-12080	MODIFICIRANI M8 NUTSERT (ZAKIVNA MATICA)	8
7	07001-00469	VIJAK S UTORENOM KAPICOM M8 × 15	2
8	07002-00105	M8 PODLOŠKA	4
9	07005-01573	MUŠKI KONEKTOR CIJEVI OD 8 MM	1
10	07005-01977	MUŠKI/ŽENSKI REDUKTOR 6 MM /4 MM	1

6. ODRŽAVANJE

Svakih godinu dana ili svakih 500 000 ciklusa (ovisno o tome što je ranije) alat je potrebno potpuno rastaviti, a istrošene ili oštećene dijelove zamijeniti novima. Sve O-prstenove i brtve potrebno je obnoviti i prije montiranja podmazati mazivom Moly Lithium EP 3753.

VAŽNO

Upute o sigurnosti nalaze se na stranici 4.

Zaposlenik je dužan pobrinuti se da upute za održavanje budu predane odgovarajućem osoblju.

Korisnik ne smije biti uključen u održavanje ili popravak alata ako nema potrebnu obuku.

Prije bilo kakvog servisiranja ili demontaže potrebno je odspojiti vod zraka, osim ako nije drugačije navedeno.

Preporučuje se da se sve operacije demontaže izvedu u čistim uvjetima.

Prior demontaže alata potrebno je skinuti opremu nosa.

Za potpuno servisiranje alata savjetujemo da nastavite s demontažom podsklopova prema dolje navedenom redosljedu nakon što ste odspojili hidrauličko crijevo od jedinice pojačivača, vodove zraka od pojačivača i upravljačke kutije, odvajajući tako jedinicu pištolja od jedinice pojačivača.

Potencijalno opasne tvari, koje su se možda nataložile na stroju kao rezultat radnih procesa, potrebno je ukloniti prije radova održavanja.

6.1 DEMONTIRANJE 07536-02200

CILINDAR ZADNJE ČELJUSTI

- Ručno okrenite sigurnosnu kopču **53** prema gore i skinite završni poklopac **59**.
- S pomoću imbus kluča* izvadite jedan vijak s upuštenom glavom **6**, osiguravajući da je istjeran sav zrak zarobljen u cilindru zadnje čeljusti. Skinite drugi vijak s upuštenom glavom **6**.
- Izvucite stražnji utikač **50**. **Napomena:** Za pomoć pri izvlačenju na stražnjoj strani čepa nalazi se navoj od 5 mm.
- Komponente zadnje čeljusti za izvlačenje zraka, koje se sastoje od sklopa klipa zadnje čeljusti **60**, graničnika **52**, 'O' prstena **12** i čeljusti **32**.
- Izvadite preostale komponente, koje se sastoje od opruge 36 i kućišta čeljusti **42**.
- Duljina nestlačene opruge **36** mora biti 38,1 mm (1.5"). Zamijenite po potrebi.
- Skinite O-prsten brtve sklopa klipa **11**.
- Odspojite plisiranu cijev usmjerivača zraka (zeleno) **49** od koljenastog konektora **22**.
- Odspojite plisiranu cijev usmjerivača zraka (srebrno) **38** od naboranog koljena **30**.
- S pomoću imbus ključa* izvadite svih pet pričvrtnih vijaka za udubinu drške **3**, **4** i sve četiri matice **8** s ručke alata.
- Zahvatite cjevasti dio **44** u škripac s pomoću mekih čeljusti kako biste izbjegli oštećivanje.
- S pomoću cjevastog ključa* odvrnite cilindrični čep **46**, viličastim ključem* sprječavajući da se cjevasti dio **44** okreće.
- Povucite cilindar zadnje čeljusti **47** s alata.
- Skinite O-prsten **14**, tarnu traku **41** i povratnu oprugu cilindra **37**.
- Premažite površinu zadnjih čeljusti **32** mazivom Moly Lithium, koja je u kontaktu s kućištem čeljusti **42** prije montiranja.
- Sastavite obrnutim redosljedom.

HIDRAULIČNI KLIP

- Skinite cilindar zadnjih čeljusti **47** kako je prije opisano.
- Zahvatite trup **45** u škripac s pomoću mekih čeljusti kako biste izbjegli oštećivanje, onesposobite limitator hoda **40**.
- Koristeći imbus ključ* otpustite vijak **5** koji pričvršćuje blok sklopke **54** na cijev **44**.

* Odnosi se na stavke sadržane u servisnom kompletu 0753 Mkll. Potpuni popis pogledajte na stranici 68.

Svi **podebljani** brojevi odnose se na općenito sastavljanje i popis dijelova na stranicama 72-73.

- Čvrsto držite alat i povucite cilindrični dio **44** s trupa **45** (mala količina hidrauličkog ulja može biti izbačena iz unutrašnjosti sklopa glave).
- Pažljivo skinite klip **39** kako se ne bi oštetio otvor na glavi.
- Skinite brtvu **16**.
- Brtvu **17** teško je izvaditi bez oštećenja, tako da može ostati na svom mjestu tijekom čišćenja (s pretpostavkom da na nju ne utječe postupak čišćenja). Ako je brtvu **17** potrebno obnoviti, postupite na sljedeći način:
- S pomoću lopatice* oslobodite brtvu **17** iz trupa **45**, pazeći da ne oštetite otvor i provrte na trupu. Skinutu brtvu **17** POTREBNO JE odbaciti u otpad.
- Za zamjenu brtve **17** odvijte sklop odzračnog čepa **43** dok unutarnja ploha ne bude u ravnini s unutarnjom rupom na trupu **45**. To će omogućiti nesmetan prolaz za umetanje nove brtve **17** kroz stražnji dio trupa **45**.
- Uvjerite se da je brtva **17** dobro podmazana i pravilno umetnuta, s otvorenim krajem brtve okrenutom prema zadnjim čeljustima.
- Sastavite obrnutim redoslijedom od demontaže.

SKLOP OKIDAČA

- Za rastavljanje/servisiranje sklopa skinite poklopce s alata kako je ranije opisano.
- Odspojite crijeva za zrak sa sklopa pazeći da ga ne oštetite. Skinite sklop.
- S pomoću matičnog ključa* odvrnite nosač **34** i skinite ga. Pazite pri rukovanju s oprugom **31**.
- Odvojite 'O' prsten **10** pazeći da ne oštetite vreteno 35 i sjedišta nosača **34**.
- Očistite i ponovno namontirajte s pomoću novog 'O' prstena **10**.
- Provjerite duljinu opruge **31** koja mora biti 12,7 mm (0.5") slobodne duljine – po potrebi je zamijenite.
- Montirajte obrnutim redoslijedom od demontiranja.

VENTIL ZA UKLJUČIVANJE/ISKLJUČIVANJE ZADNJIH ČELJUSTI

- Jedinica je projektirana tako da je potrebno minimalno servisiranje tijekom vijeka trajanja alata.
- Ako je potrebno demontirati ventil, postupite na sljedeći način:
- Izvadite kućište okidača **56** kako je opisano u poglavlju „Hidraulični klip“.
- S pomoću odvijača* pažljivo izvadite kromiranu Star-lock podlošku **18** sa kalema zračnih zadnjih čeljusti **55** i odbacite podlošku.
- Izvadite kalem zračnih zadnjih čeljusti **55** iz bloka za prebacivanje **54**.
- Pazeći da ne oštetite kalem zračnih zadnjih čeljusti **55**, izvadite O-prstenove **12**.
- Očistite kalem i umetnite nove O-prstenove **12** s pomoću montirnog taneta* i umetnite u blok za prebacivanje **54**, pazite na smjer.
- Ugradite novu Star-lock podlošku **18** stežući u škripac mekih čeljusti kako bi se spriječilo oštećivanje. NE PRIMJENJUJTE PRETJERANU SILU.
- Sastavite obrnutim redoslijedom od demontaže.

RUČKA I ZAVRŠNA KAPICA

- Očistite i pregledajte ima li pukotina i drugih oštećenja na kalupima.

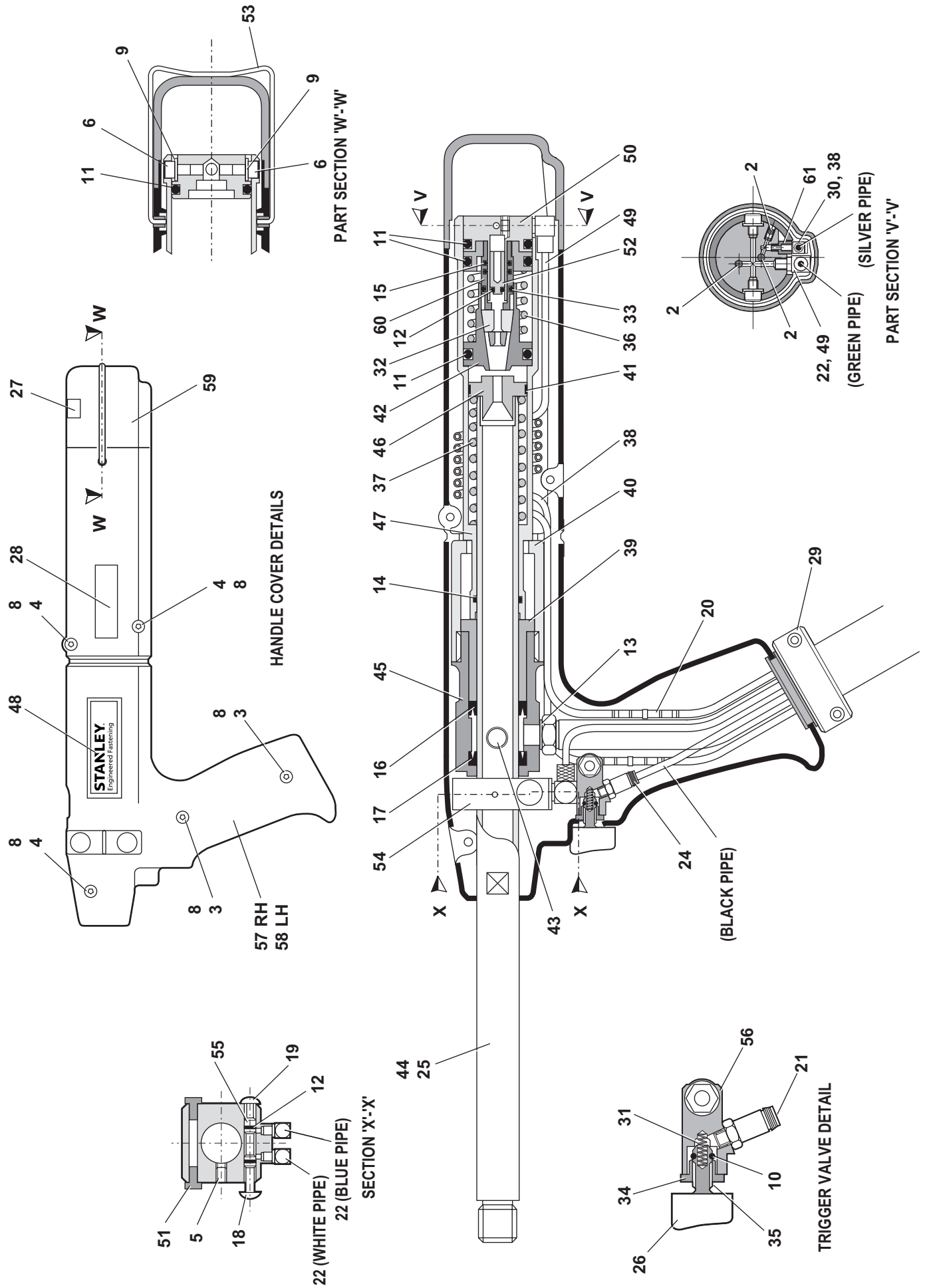
POKAZIVAČ

- Povremeno očistite i nauljite sklop pokazivača s malo laganog ulja.

VAŽNO
Provjerite alat dnevnim i tjednim servisom.
Mazanje temeljnim premazom UVIJEK je potrebno nakon demontiranja alata i prije rada.

* Odnosi se na stavke sadržane u servisnom kompletu 0753 Mkll. Potpuni popis pogledajte na stranici 68. Svi **podebljani** brojevi odnose se na općenito sastavljanje i popis dijelova na stranicama 72-73.

6.2 OPĆI SKLOP OSNOVNOG ALATA 07536-02200



6.3 POPIS DIJELOVA OSNOVNOG ALATA 07536-02200

POPIS DIJELOVA 07536-02200											
STAVKA	BR. DIJELA	OPIS	KOL. REZERVE	STAVKA	BR. DIJELA	OPIS	KOL. REZERVE	KOL. REZERVE			
1	07007-00392	KABELSKA VEŽICA (NIJE PRIKAZANA)	1	-	34	07220-00803	NOSAČ	1	-	1	-
2	07001-00499	DUGI UTORNI VIJAK ZA POSTAVLJANJE M3x5	3	-	35	07241-00208	VRETENO	1	-	1	-
3	07001-00262	DUGI VIJAK S UTORNOM GLAVOM M4x22	1	-	36	07154-00404	OPRUGA	1	-	1	-
4	07001-00401	DUGI VIJAK S UTORNOM GLAVOM M4x10	4	-	37	07490-03002	POVRATNA OPRUGA CILINDRA	1	-	1	-
5	07001-00404	DUGI UTORNI VIJAK ZA POSTAVLJANJE M5x6	1	-	38	07536-02211	PLISIRANA CIJEV USMJERIVAČA ZRAKA OD 3 MM - SREBRNA	1	-	1	-
6	07001-00504	DUGI VIJAK S UTORNOM GLAVOM M4x6	2	2	39	07536-00203	KLIP	1	-	1	-
7					40	07530-00204	LIMITATOR HODA	1	-	1	-
8	07002-00134	ŠESTEROKUTNA MATICA M4	4	-	41	07530-00206	TARNA TRAKA	1	-	1	1
9	07002-00153	M4 PODLOŠKA [PLASTIČNA]	2	-	42	07536-00208	KUĆIŠTE ČELJUSTI	1	-	1	-
10	07003-00022	O-PRSTEN	1	-	43	07530-00500	SKLOP ODZRAČNOG ČEPA [STAVKE 62 DO 65]	1	-	1	-
11	07003-00113	O-PRSTEN	3	3	44	07536-02201	CILINDAR	1	-	1	-
12	07003-00121	O-PRSTEN	3	3	45	07530-02202	TIJELO	1	-	1	-
13	07003-00142	1/8" BSP LIJEPLJENA BRTVA	1	1	46	07530-02205	CILINDRIČNI ČEP	1	-	1	-
14	07003-00167	O-PRSTEN	1	1	47	07536-02207	CILINDAR ZADNJE ČELJUSTI	1	-	1	-
15	07003-00386	O-PRSTEN	2	-	48	07530-02210	OZNAKA	2	-	2	-
16	07003-00236	BRTVA [DINAMIČKA]	1	1	49	07536-02212	PLISIRANA CIJEV USMJERIVAČA ZRAKA OD 4 MM - ZELENA	1	-	1	-
17	07003-00237	BRTVA [STATIČKA]	1	-	50	07536-02213	STRAŽNJI UTIKAČ	1	-	1	-
18	07004-00058	1/8" STARLOCK PODLOŠKA, KROMIRANA	1	-	51	07530-00310	SLIJEPI ČEP	2	-	2	-
19	07004-00059	1/8" STARLOCK PODLOŠKA, CRNA	1	-	52	07536-02214	STOP	1	-	1	-
20	07005-10073	KONEKTOR OD 3 MM	1	-	53	07530-02220	KOPČA	1	-	1	-
21	07005-01357	KONEKTOR TIPA ZATEZNE ČAHURE	1	-	54	07530-02301	BLOK ZA PREBACIVANJE	1	-	1	-
22	07005-01571	KOLJENASTI KONEKTOR	3	-	55	07530-02302	KALEM ZRAČNIH ZADNJIH ČELJUSTI	1	-	1	-
23	07536-02216	SIGURNOSNA MATICA	1	-	56	07530-02311	KUĆIŠTE OKIDAČA	1	-	1	-
24	07005-10074	KONEKTOR OD 2 MM	1	-	57	07536-02601	SKLOP UDUBINE DRŠKE, DESNI	1	-	1	-
25	07007-00017	POKLOPAC PROTIV PRAŠINE	1	-	58	07536-02602	SKLOP UDUBINE DRŠKE, LIJEVI	1	-	1	-
26	07007-00300	GUMB OKIDAČA	1	-	59	07530-02603	ZAVRŠNA KAPICA	1	-	1	-
27	73200-02022	SIGURNOSNA OZNAKA	1	-	60	07536-02800	SKLOP KLIPA ZADNJE ČELJUSTI	1	-	1	-
28	07007-01504	NALJEPNICA S OZNAKOM CE	1	-	61	07536-02215	ADAPTER ZA UGRADNJU	1	-	1	-
29	07008-00438	SKLOP FLEKSIBILNOG CRIJEVA	1	-	62	07003-00142	● LIJEPLJENA BRTVA (NIJE PRIKAZANA)	1	-	1	1
30	07005-01323	M3 REBRASTO KOLJENO	1	-	63	07003-00194	● LIJEPLJENA BRTVA (NIJE PRIKAZANA)	1	-	1	1
31	07125-00215	OPRUGA	1	-	64	07001-00442	● VIJAK (NIJE PRIKAZAN)	1	-	1	1
32	07151-00403	STRAŽNJE ČELJUSTI	1	2	65	07530-00501	● ČEP (NIJE PRIKAZAN)	1	-	1	-
33	07003-00016	O-PRSTEN	1	-							

6.4 UPUTE ZA RASTAVLJANJE

- Kada se demontira sklop pojačivača, najprije odspojite crijevo za dovod zraka do ulaznog konektora pojačivača **22**.
- S pomoću imbus ključa* odvrnite četiri vijka **27** i izvadite zaštitnu ploču **24**.
- Odspojite cijev okidača **47** od ventila pojačivača **43** ili **48** pritiskom na vanjski obod i izvlačenjem cijevi.
- Uklonite pokrovnju ploču **4** i brtvenicu **35** uklanjanjem vijaka **37** i podloški **36** s pomoću imbus ključa*.
- Uvjerite se da brtvenica nije oštećena kako biste osigurali pravilnu montažu brtve.
- Preokrenite sklop pojačivača i ispustite ulje iz rezervoara u odgovarajući spremnik.
- Uklonite konektor za brzo otpuštanje **32** zajedno s konektorom **31** i brtvom **33** s pomoću odgovarajućeg ključa*.
- Uklonite ventil pojačivača **43** ili **48** uklanjanjem pričvrtnih vijaka s pomoću odgovarajućeg ključa, pazite da zadržite 'O'-prsten **21** koji se nalazi u odljevku trupa pojačivača.
- Uklonite vijak **19** s pomoću prikladnog imbus ključa* i izvadite poklopac prigušivača **16**, prigušivač pjene **15**, razmačnik **18** i zadržnu ploču **20**.
- Izvucite plastičnu cijev od 6 mm **41** iz vakuumskih konektora **42**.
- Iz baze pojačivača umetnite imbus ključa * od 3 mm kroz dva otvora i odvijte vakuumske konektore **42**. Napomena:
 - Morate biti oprezni jer su vakuumski priključci zablokirani i zabrtvljeni pomoću brtvene masti Loctite® 574.
 - Ako ih je teško izvaditi, vakuumske konektore možete izbiti dlijetom promjera $\frac{3}{16}$ " ili 4,7 mm.
- Za ponovno sastavljanje vakuumskih konektora **42** potrebno je slijediti sljedeći postupak: -
 - Vakuumske konektore namočite u odgovarajući temeljni premaz, tj. Perma Bond A905
 - Stavite kap masti Loctite® 574 u navojni otvor pojačivača.
 - Iz baze pojačivača umetnite imbus ključ * kroz rupu. Uvjerite se da na imbus ključu * nema maziva Loctite® 574 prije umetanja u vakuumski konektor.
 - Okrećite imbus ključ dok nanosite Loctite® 574 na bazu vakuumskog konektora.
 - Vijcima učvrstite vakuumski konektor u pojačivač, osiguravajući da ima dovoljno maziva Loctite® 574 na bazi nastavka, navoj nije vidljiv.
- S pomoću odvijača pažljivo izvadite unutarnji zadržni prsten **14**. Očistite i pregledajte ima li na žlijebu znakova oštećenja.
- S pomoću ekstraktora* umetnite kraj s muškim navojem u završni poklopac **12** i povucite ga zajedno s naglavkom pojačivača **28** i 'O'-prstenima **10** i **13**.
- Umetnite šipku* kroz otvor konektora na prednjoj strani trupa pojačivača i izvucite klipnjaču **9** i klipni sklop.
- S pomoću prikladnog imbus ključa* odvijte dva vijka **25** i izvadite završni poklopac **12** sa naglavka pojačivača **28**.
- Uklonite brtveni čep **7** s pomoću ključa*.
- Umetnite šipku* kroz otvor na prednjoj strani trupa pojačivača i gurnite van kućište brtve **5** i pridružene 'O'-prstenove te usnate brtve.
- Uklonite sklop kućišta ventila **34** iz glavnog trupa s pomoću prikladnog ključa*. Očistite ispuhivanjem s pomoću zračnog mlaza pod niskim tlakom.
- Uklonite klipnjaču **9** sa zračnog klipa pojačivača **11** zahvaćajući prvih 20 mm (3/4") šipke u škripac opremljen mekim čeljustima, pazite da ne oštetite ili ne ogrebete radnu površinu.
- Odvrnite blokirnu maticu **17** s pomoću odgovarajućeg ključa*.
- Montirajte obrnutim redoslijedom od demontiranja, obratite pozornost na sljedeće:
 - Očistite sve dijelove i obnovite sve O-prstenove.
 - Podmažite sve brtve molibden-litijskim mazivom.
 - Sklop kućišta ventila **34** potrebno je ponovno pričvrstiti s pomoću ljepila za brtvljenje navoja.
 - Montirajte novi sklop klipa s pomoću nove matice **17**.

* Odnosi se na stavke sadržane u servisnom kompletu 0753 Mkll. Potpuni popis pogledajte na stranici 68. Brojevi artikala koji su **podobljeni** odnose se na ilustraciju i popis dijelova nasuprot.

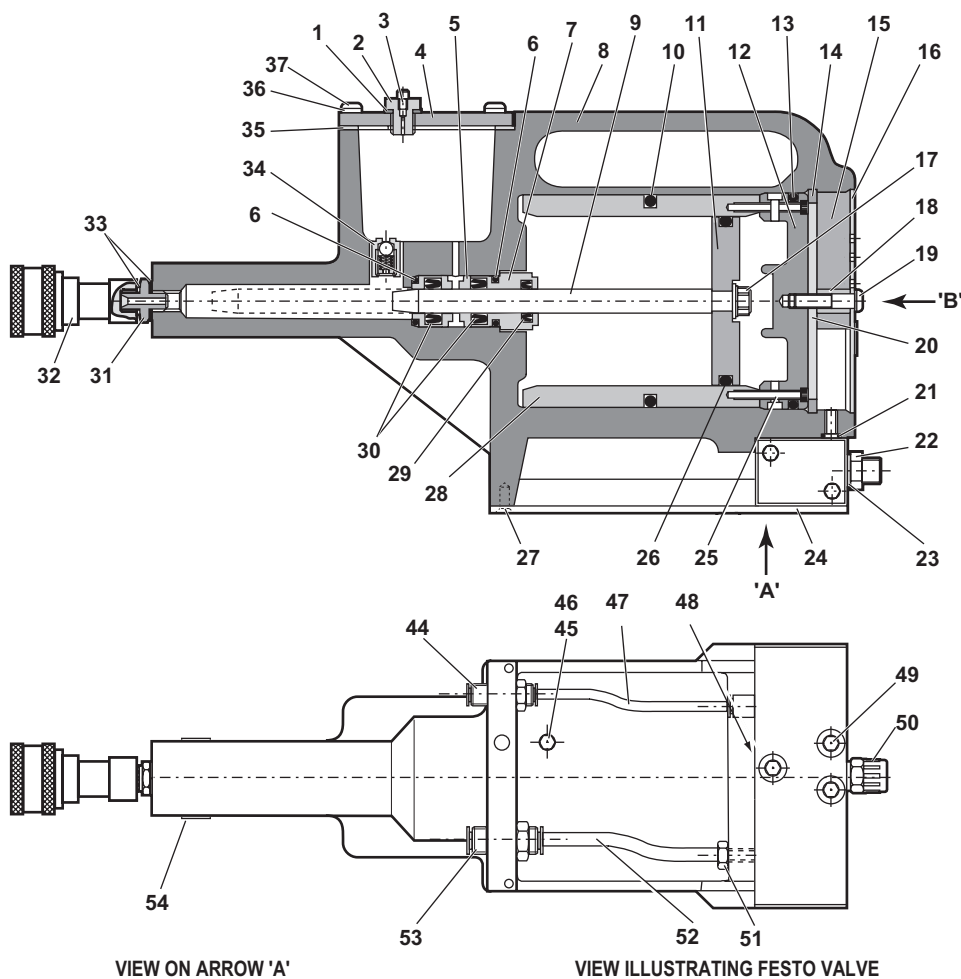
- Završni pokrov **12** mora biti postavljen pravilno unutar zadržnog prstena **14**. Alat se ne smije upotrebljavati ako nema završnog poklopca.

VAŽNO

Mazanje temeljnim premazom **UVIJEK** je potrebno nakon demontiranja alata i prije rada.

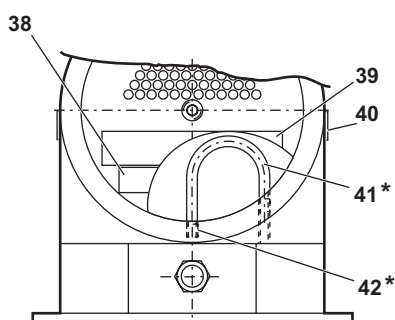
6,5 ZAŠTITA OKOLIŠA

Osigurajte sukladnost s odgovarajućim propisima o zbrinjavanju. Zbrinite sve otpadne proizvode na odobreno mjesto za zbrinjavanje otpada ili na drugo mjesto kako ne biste izložili osoblje i okoliš opasnostima.

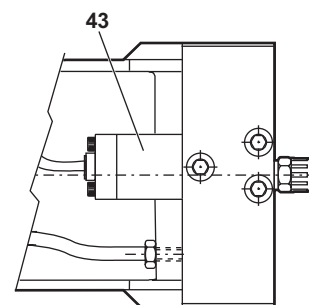
6.6 POJAČIVAČ 07531-02200

Note

* Some units will not include these items (The required link is achieved via internal porting).



VIEW ON ARROW 'B'



VIEW ILLUSTRATING COMPAIR VALVE

VIEW ON ARROW 'A'

VIEW ILLUSTRATING FESTO VALVE

* Odnosi se na stavke sadržane u servisnom kompletu 0753 MkII. Potpuni popis pogledajte na stranici 68. Brojevi artikala koji su **podebljani** odnose se na ilustraciju i popis dijelova nasuprot.

POPIS DIJELOVA 07531-02200										
STAVKA	BR. DIJELA	OPIS	KOL. REZERVE	STAVKA	BR. DIJELA	OPIS	KOL. REZERVE	KOL. REZERVE	OPIS	KOL. REZERVE
1	07003-00037	BRTVA	1	28	07531-00201	NAGLAVAK	1	1		1
2	07240-00211	VIJAK PUNJAČA	1	29	07003-00337	USNATA BRTVA	1	1		1
3	07001-00418	ODZRAČNI VIJAK	1	30	07003-00336	USNATA BRTVA	1	2		2
4	07240-00210	POKROVNA PLOČA	1	31	07005-00406	KONEKTOR	1	1		1
5	71420-02006	KUĆIŠTE BRTVE	1	32	07005-00759	KONEKTOR ZA BRZO OTPUŠTANJE	1	1		1
6	07003-00153	O-PRSTEN	2	33	07003-00142	BRTVA	2	2		1
7	71420-02007	BRTVENI ČEP	1	34	07240-00400	SKLOP KUĆIŠTA BRTVE	1	1		1
8	71420-02300	SKLOP TRUPA	1	35	07240-00209	BRTVENICA	1	1		1
9	71420-02008	KLIPNJAČA	1	36	07002-00073	PODLOŠKA	1	4		1
10	07003-00182	O-PRSTEN	1	37	07001-00554	VIJAK	1	4		1
11	07531-00202	ZRAČNI KLIP	1	38	07007-01504	OZNAKA	1	1		1
12	07531-00204	ZAVRŠNI POKROV	1	39	07240-00217	OZNAKA	1	1		1
13	07003-00183	O-PRSTEN	1	40	07531-00205	OZNAKA	1	2		2
14	07004-00069	ZADRŽNI PRSTEN	1	41	07005-00596	PLASTIČNA CIJEV * 6 mm	1	-		-
15	07240-00213	PRIGUŠIVAČ PJENE	1	42	07245-00103	* VAKUUMSKI KONEKTOR	1	2		2
16	07240-00214	POKLOPAC PRIGUŠIVAČA	1	43	07005-00590	COMPAIR VENTIL	1	1		1
17	07002-00017	MATICA	1	44	07005-01431	PREGRADNI KONEKTOR	1	1		1
18	07240-00215	DRŽAČ RAZMAKA	1	45	07005-00668	M5 UTIKAČ	1	1		1
19	07001-00417	VIJAK	1	46	07005-00670	M5 BRTVENI PRSTEN	1	1		1
20	07240-00216	ZADRŽNA PLOČA	1	47	07005-01084	PLASTIČNA CIJEV 4 mm (150 mm)	1	-		-
21	*07003-00042	O-PRSTEN	1	48	07005-01524	FESTO VENTIL	1	1		1
22	07005-00041	KONEKTOR	1	49	07001-00176	VIJAK	1	3		3
23	07003-00065	PODLOŠKA	1	50	07007-00292	1/4" BSP CRVENA KAPICA	1	1		1
24	07240-00220	ZAŠTITNA PLOČA	1	51	07005-00647	KONEKTOR	1	1		1
25	07001-00375	VIJAK	2	52	07005-01085	PLASTIČNA CIJEV 6 mm (150 mm)	2	-		-
26	07003-00238	O-PRSTEN	1	53	07005-00855	PREGRADNA SPOJNICA	1	1		1
27	07001-00396	VIJAK	4	54	73200-02022	SIGURNOSNA OZNAKA	4	1		1

7. MAZANJE TEMELJNIM PREMAZOM

Mazanje temeljnim premazom UVIJEK je potrebno nakon demontiranja alata i prije rada. Možda će također biti potrebno obnoviti puni hod nakon uporabe većeg intenziteta, kada se hod može smanjiti, a pričvršćivači nisu u potpunosti postavljeni jednim pritiskom na okidač.

7.1 POJEDINOSTI O ULJU

Ulje preporučeno za temeljno premazivanje je Hyspin® VG32 i AWS 32, dostupno u spremnicima od 0,5 l (broj dijela 07992-00002) ili jednog galona (broj dijela 07992-00006). Pogledajte podatke o sigurnosti ispod.

7.2 SIGURNOSNI PODACI ULJA HYSPIN® VG32 I AWS 32

Prva pomoć

KOŽA:

Temeljito operite sapunom i vodom što je prije moguće. Slučajni kontakt ne zahtijeva hitnu pozornost. Kratkotrajni kontakt ne zahtijeva hitnu pozornost.

GUTANJE:

Odmah zatražiti medicinsku pozornost. NEMOJTE izazivati povraćanje.

OČI:

Odmah nekoliko minuta ispirite vodom. Iako NIJE primarno nadražujuće, nakon kontakta može doći do manje iritacije.

Požar

Odgovarajući mediji za gašenje požara: CO₂, suhi prah, pjena ili vodena magla. NEMOJTE upotrebljavati vodeni mlaz.

Okoliš

ODLAGANJE OTPADA: Posredstvom ovlaštene ugovorne tvrtke na licenciranu lokaciju. Može se spaliti. Iskorišteni proizvod može se poslati na oporabu.

PROLIJEVANJE: Spriječite ulazak u odvođe, kanalizaciju i vodotoke. Upijte ga upijajućim materijalom.

Rukovanje

Nosite zaštitu za oči, nepropusne rukavice (npr. od PVC-a) i plastičnu pregaču. Upotrebljavajte na dobro prozračenim mjestima.

Čuvanje

Bez posebnih mjera opreza.

7.3 POSTUPAK PRIPREME

VAŽNO

NEMOJTE RADITI OKIDAČEM DOK JE VIJAK ZA ODZRAČIVANJE SKINUT

Sve postupke treba izvesti na čistoj radnoj plohi, čistim rukama u čistom prostoru.

Uvjerite se da je novo ulje potpuno čisto i da nema mjehurića zraka.

Cijelo vrijeme TREBA paziti da strane tvari ne ulaze u alat, jer bi moglo doći do ozbiljnog oštećenja.

- Skinite vijak **2** i brtvu **1** sa plastične pokrovne ploče **4** na rezervoaru pojačivača.
- Ulijte ulje za početno pokretanje u spremnik dok ne bude približno 1/2" (12 mm) od vrha.
- Zamijenite vijak **2** i brtvu **1**.
- Priključite jedinicu pojačivača na dovod zraka. Skinite vijak s rezervoara.
- Dok je jedinica pištolja 07536 postavljena na jedinicu pojačivača i držite je ispod razine jedinice pojačivača, odvijte odzračni vijak **64** iz sklopa odzračnog čepa **43** na alatu 07536 za dva okreta i dopustite da ulje istječe iz alata.
- Kada ulje počne slobodno teći i bez mjehurića zraka, zategnite odzračni vijak.
- Napunite rezervoar na jedinici pojačivača uljem za početno pokretanje.
- Ponavljajte cikluse alata dok se mjehurići zraka prisutni u ulju ne istisnu u spremnik za ulje.

Svi **podebljani** brojevi odnose se na općenito sastavljanje i popis dijelova na stranicama 72-75.

8. DIJAGNOSTIKA POGREŠAKA

SIMPTOM	MOGUĆI UZROK	RJEŠENJE	REF. STRANICA
Alat neće postaviti pričvršćivač	Nizak tlak zraka.	Povećajte tlak zraka	
	Nedostatno podmazivanje.	Podmažite alat na ulazima zraka	
	Visoko opterećenje šiljka.	Provjerite zahvat pričvršćivača i veličinu otvora primjene.	
	Provjerite ispravnu veličinu trna.		
	Zadnje čeljusti isključene.	Uključite zadnje čeljusti	
	Zrak u hidrauličkom sustavu.	Pogledajte „Postupak pripreme“	77
„Isklizivanje trna“ – čeljusti ne hvataju trn	Istrošene ili onečišćene zadnje čeljusti.	Očistite ili obnovite po potrebi	
	’Nedostatan tlak/volumen zraka.	Povećajte tlak/columnen zraka	
	’Prekidač zadnje čeljusti ne radi.	Zamijenite prekidač	
	’Propuštanje zraka na zadnje čeljusti.	Obnovite O-prstenove na klip 11	
	Trn slomljen i ne doseže do zadnje čeljusti.	Zamijenite trn	
	Kvar u pneumatskoj upravljačkoj kutiji.	Kontaktirajte osoblje tvrtke Stanley Engineered Fastening	
Čeljusti ne otpuštaju osovinu.	Zaprljane zadnje čeljusti ili kućište čeljusti.	Očistite i podmažite	
	Neispravan prekidač zadnjih čeljusti.	Nadomjestite O-prstenove	
	Signal zarobljenog zraka	Provjerite pneumatske vodove	
	Kvar na pneumatskoj upravljačkoj kutiji	Kontaktirajte osoblje tvrtke Stanley Engineered Fastening	
Pričvršćivači ne prolaze kroz nosne čeljusti	Zadnje čeljusti nisu uključene.	Uključite zadnje čeljusti	
	Istrošene zadnje čeljusti.	Obnovite zadnje čeljusti	
	Smjer pokazivača nije pravilan.	Ponovno postavite i osigurajte pravilan smjer	
	Nepравilni pokazivač	Postavite pravilni pokazivač	
	Neodgovarajuće nosne čeljusti.	Postavite odgovarajuće nosne čeljusti.	
	Slijedna opruga trna nije postavljena.	Postavite odgovarajuću slijednu oprugu trna	
	Duljina slijednika trna	Postavite odgovarajući slijednik trna	
	Neodgovarajući procjep između glave pričvršćivača i nosnih čeljusti pri punjenju.	Postavite procjep na 1,5 mm – 3 mm (1/16” – 1/8”). Pogledajte „Umetanje alata“	65-66
	Pokazivač zaglavljn.	Očistite i nauljite pokazivač.	
	pohaban pokazivač zraka	Obnovite pokazivač	
	Postavljena neodgovarajuća slijedna opruga trna.	Postavite odgovarajuću slijednu oprugu trna	
Pohabana ili slomljena povratna opruga cilindra	Zamijenite povratnu oprugu cilindra		
Prekomjerno trošenje stražnjih čeljusti	Visoko opterećenje šiljka.	Provjerite veličinu i debljinu otvora primjene te sposobnost hvatanja zakovice.	
	Punjenje više od jedne zakovice	Isklizivanje trna.	Provjerite kao kod ‘isklizavanja trna’, stadij 2
Neodgovarajući procjep između glave zakovice i nosnih čeljusti pri punjenju.		Postavite procjep na 1,5 mm – 3 mm (1/16” – 1/8”). Pogledajte ‘Umetanje alata’ na stranici	65-66

Ostale simptome ili kvarove potrebno je prijaviti lokalnom ovlaštenom predstavniku tvrtke Stanley Engineered Fastening ili centru za popravke.

NAPOMENE

9. IZJAVA O SUKLADNOSTI EZ-a

Mi, tvrtka **Stanley Engineered Fastening, Stanley House, Works Road, Letchworth Garden City, Hertfordshire, SG6 1JY UJEDINJENO KRALJEVSTVO**, izjavljujemo pod našom isključivom odgovornošću da je proizvod:

Opis: Hidraulično-pneumatski ponavljajući alat za brze zakovice

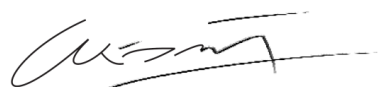
Model: 07536

na koji se ova izjava odnosi usklađen je sa sljedećim harmoniziranim normama:

ISO 12100:2010	EN ISO 3744:2010
EN ISO 11202:2010	EN ISO 11148-1:2011
EN ISO 4413:2010	BS EN 28662-1:1993
EN ISO 4414:2010	EN ISO 20643:2008+A1:2012
EN ISO 28927-5:2009+A1:2015	ES100118 izmjena i dopuna 17:2017

Tehnička dokumentacija sastavljena je u skladu s Dodatkom VII sukladno sljedećoj smjernici: **Direktiva o strojevima 2006/42/EZ** (zakonske odredbe 2008 br. 1597 - Propisi o napajanju (sigurnosti) strojeva).

Dolje potpisani daje izjavu u ime i za račun tvrtke STANLEY Engineered Fastening



A. K. Seewraj

Direktor inženjeringa, Ujedinjeno Kraljevstvo

Avdel UK Limited, Stanley House, Works Road, Letchworth Garden City, Hertfordshire,
SG6 1JY UNITED KINGDOM

Mjesto izdavanja: Letchworth Garden City, Ujedinjeno Kraljevstvo

Datum izdavanja: 01-01-2021

Dolje potpisani odgovoran je za sastavljanje tehničke datoteke za proizvode koji se prodaju u Europskoj uniji i ovu izjavu donosi u ime tvrtke Stanley Engineered Fastening.

Matthias Appel

Team Leader Technical Documentation

Stanley Engineered Fastening, Tucker GmbH, Max-Eyth-Str.1,
35394 Gießen, Germany



Ovaj stroj je u skladu sa
Direktiva o strojevima 2006/42/EZ

10. IZJAVA O SUKLADNOSTI UK-a

Mi, tvrtka **Stanley Engineered Fastening, Stanley House, Works Road, Letchworth Garden City, Hertfordshire, SG6 1JY UJEDINJENO KRALJEVSTVO**, izjavljujemo pod našom isključivom odgovornošću da je proizvod:

Opis: Hidraulično-pneumatski ponavljajući alat za brze zakovice

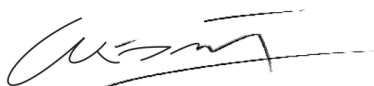
Model: 07536

na koji se ova izjava odnosi usklađen je sa sljedećim navedenim normama:

ISO 12100:2010	EN ISO 3744:2010
EN ISO 11202:2010	EN ISO 11148-1:2011
EN ISO 4413:2010	BS EN 28662-1:1993
EN ISO 4414:2010	EN ISO 20643:2008+A1:2012
EN ISO 28927-5:2009+A1:2015	ES100118 izmjena i dopuna 17:2017

Tehnička dokumentacija sastavljena je u skladu s Propisima o napajanju (sigurnosti) strojeva 2008, S.I. 2008/1597 (u skladu s dopunama i izmjenama).

Dolje potpisani daje izjavu u ime i za račun tvrtke STANLEY Engineered Fastening



A. K. Seewraj

Direktor inženjeringa, Ujedinjeno Kraljevstvo

Avdel UK Limited, Stanley House, Works Road, Letchworth Garden City, Hertfordshire,
SG6 1JY UNITED KINGDOM

Mjesto izdavanja: Letchworth Garden City, Ujedinjeno Kraljevstvo

Datum izdavanja: 01-01-2021



Ovaj stroj je u skladu sa
(sigurnosnim) propisima o dobavljanju strojeva iz 2008.
S.I. 2008/1597 (u skladu s dopunama i izmjenama)

11. ZAŠTITITE SVOJE ULAGANJE!

Stanley® Engineered Fastening - JAMSTVO ZA ALAT ZA SLIJEPE ZAKOVICE

STANLEY® Engineered Fastening jamči da su svi električni alati pažljivo proizvedeni te da će biti bez nedostataka u materijalu i izradi u uvjetima uobičajene upotrebe i servisiranja tijekom razdoblja od jedne (1) godine.

Ovo jamstvo primjenjuje se samo na prvu kupnju alata i predviđenu namjenu.

Izuzeća:

Uobičajeno habanje i trošenje.

Redovito održavanje, popravak i zamjena dijelova zbog uobičajenog habanja i trošenja nisu obuhvaćeni jamstvom.

Zloupotreba i pogrešna upotreba

Kvarovi i oštećenja proizašli iz nepravilne upotrebe, pohrane ili zloupotrebe, nezgode ili zanemarivanja, npr. fizička oštećenja, nisu obuhvaćeni jamstvom.

Neovlašteno servisiranje ili modifikacije.

Kvarovi i oštećenja proizašli iz servisiranja, podešavanja, instalacija, održavanja, izmjena ili modifikacija izvedenih na bilo koji način i od strane bilo koje osobe osim tvrtke STANLEY® Engineered Fastening ili njezinih ovlaštenih servisa nisu obuhvaćeni jamstvom.

Ovime se isključuju sva ostala jamstva, izričita ili implicirana, uključujući bilo kakva jamstva utrživosti ili prikladnosti za određenu svrhu.

Ako ovaj alat ne ispunjava uvjete jamstva, odmah ga predajte u najbliži ovlašteni servis. Za popis ovlaštenih STANLEY® Engineered Fastening servisa u SAD-u i Kanadi kontaktirajte nas na besplatni telefonski broj (877)364 2781.

Izvan SAD-a i Kanade posjetite naše web-mjesto **www.StanleyEngineeredFastening.com** kako biste saznali najbližu STANLEY Engineered Fastening lokaciju.

STANLEY Engineered Fastening besplatno će zamijeniti sve dijelove za koje utvrdimo da su neispravno zbog nedostataka u materijalu ili izradi te vratiti alat. Ovo su naše jedine obveze u sklopu ovog jamstva.

Ni u kojem slučaju STANLEY Engineered Fastening nije odgovoran za posljedične ili posebne štete nastale kupnjom ili uporabom ovog alata.

Registrirajte svoj alat za slijepe zakovice online.

Kako biste svoje jamstvo registrirali putem interneta, posjetite nas na adresi <https://www.stanleyengineeredfastening.com/support/warranty-registration-form>

Hvala što ste odabrali alat marke Stanley Assembly Technologies u okviru STANLEY® Engineered Fastening.

© 2021 Stanley Black & Decker inc.
Všechna práva vyhrazena.

Uvedené informace nesmí být bez předchozího výslovného a písemného souhlasu společnosti STANLEY Engineered Fastening v žádném případě reprodukovány nebo publikovány prostřednictvím jakýchkoli prostředků (elektronicky nebo mechanicky). Uvedené informace vychází z údajů známých v okamžiku uvedení tohoto výrobku na trh. Společnost STANLEY Engineered Fastening provádí politiku neustálého zdokonalování svých výrobků, a proto může u těchto výrobků docházet k změnám. Poskytnuté informace se vztahují na výrobek ve stavu jeho dodání společností STANLEY Engineered Fastening. Proto nemůže společnost STANLEY Engineered Fastening odpovídat za jakákoli poškození vyplývající z provedení úprav původní specifikace výrobku.

Dostupné informace byly sestaveny s maximální péčí. Nicméně společnost STANLEY Engineered Fastening neponese žádnou odpovědnost vzhledem k jakýmkoli chybám v uvedených informacích a vzhledem k problémům vyplývajícím z těchto chyb. Společnost STANLEY Engineered Fastening neponese žádnou odpovědnost za škody vzniklé v důsledku aktivit prováděných třetími stranami. Pracovní názvy, obchodní názvy, registrované ochranné známky atd., které jsou používány společností STANLEY Engineered Fastening, nesmí být na základě právních předpisů týkajících se ochrany ochranných známek považovány za volně přístupné.

1. BEZPEČNOSTNÍ DEFINICE	84
1.1 ZÁKLADNÍ BEZPEČNOSTNÍ PŘEDPISY	84
1.2 RIZIKA TÝKAJÍCÍ SE ODMRŠTĚNÝCH PŘEDMĚTŮ	84
1.3 PROVOZNÍ RIZIKA	85
1.4 RIZIKA SPOJENÁ S OPAKOVANÝMI POHYBY	85
1.5 RIZIKA TÝKAJÍCÍ SE PŘÍSLUŠENSTVÍ	85
1.6 RIZIKA SPOJENÁ S PRACOVNÍM PROSTOREM	85
1.7 RIZIKA SPOJENÁ S HLUČNOSTÍ	85
1.8 RIZIKA TÝKAJÍCÍ SE VIBRACÍ	86
1.9 DOPLŇKOVÉ BEZPEČNOSTNÍ POKYNY TÝKAJÍCÍ SE PNEUMATICKÉHO A HYDRAULICKÉHO NÁŘADÍ	86
2. TECHNICKÉ ÚDAJE	87
2.1 SPECIFIKACE NÁŘADÍ 07536	87
2.2 SPECIFIKACE ZESILOVAČE 07531	87
3. ÚČEL POUŽITÍ	88
3.1 ROZMĚRY NÁŘADÍ – MODEL 07536	88
4. UVEDENÍ DO PROVOZU	89
4.1 DODÁVKA STLAČENÉHO VZDUCHU	89
4.2 PNEUMATICKÝ JEZDEC	90
4.3 PLNĚNÍ A DOPLŇOVÁNÍ NÁŘADÍ	90
4.4 PRACOVNÍ POSTUP	92
5. SERVIS NÁŘADÍ	93
5.1 PNEUMATICKÝ OVLÁDACÍ BOX	93
5.2 DENNÍ ÚDRŽBA	93
5.3 TÝDENNÍ ÚDRŽBA	93
5.4 MAZIVO MOLY LITHIUM EP 3753 – BEZPEČNOSTNÍ ÚDAJE	93
5.5 SERVISNÍ SADA	94
5.6 SESTAVA PNEUMATICKÝ JEZDEC, ZESILOVAČ A OVLÁDACÍ BOX – 07536-02100	95
6. ÚDRŽBA	96
6.1 DEMONTÁŽ 07536-02200	96
6.2 CELKOVÁ SESTAVA ZÁKLADNÍHO NÁŘADÍ 07536-02200	98
6.3 SEZNAM DÍLŮ ZÁKLADNÍHO NÁŘADÍ 07536-02200	99
6.4 POKYNY PRO DEMONTÁŽ	100
6.5 OCHRANA ŽIVOTNÍHO PROSTŘEDÍ	101
6.6 ZESILOVAČ 07531-02200	101
7. NAPLNĚNÍ	103
7.1 INFORMACE O OLEJI	103
7.2 OLEJ HYPIN® VG 32 A AWS 32 – BEZPEČNOSTNÍ ÚDAJE	103
7.3 POSTUP PLNĚNÍ	103
8. DIAGNOSTIKA ZÁVAD	104
9. PROHLÁŠENÍ O SHODĚ	106
10. PROHLÁŠENÍ O SHODĚ	107
11. CHRAŇTE SVOU INVESTICI!	108



Tento návod si musí přečíst každá osoba, která sestavuje nebo používá toto nářadí. Věnujte prosím speciální pozornost následujícím bezpečnostním předpisům.



Při práci s tímto nářadím vždy používejte ochranu zraku odolnou proti nárazu. Vyžadovaný stupeň ochrany musí být stanoven pro každé použití.



Používejte ochranu sluchu v souladu s pokyny zaměstnavatele a v souladu s předpisy pro bezpečnost a ochranu zdraví při práci.



Používání tohoto nářadí může vystavit ruce obsluhy rizikům, včetně rozdrčení, nárazů, pořezání, odřenin a popálení. Chraňte si ruce pracovními rukavicemi.

1. BEZPEČNOSTNÍ DEFINICE

Níže uvedené definice popisují stupeň závažnosti každého označení. Přečtěte si pozorně návod k použití a věnujte pozornost těmto symbolům.

⚠ NEBEZPEČÍ: Označuje bezprostředně hrozící rizikovou situaci, která, není-li jí zabráněno, povede k způsobení vážného nebo smrtelného zranění.

⚠ VAROVÁNÍ: Označuje potenciálně rizikovou situaci, která, není-li jí zabráněno, může vést k způsobení vážného nebo smrtelného zranění.

⚠ UPOZORNĚNÍ: Označuje potencionálně rizikovou situaci, která, není-li jí zabráněno, může vést k lehkému nebo středně vážnému zranění.

⚠ UPOZORNĚNÍ: Je-li použito bez výstražného symbolu, označuje potencionálně rizikovou situaci, která, není-li jí zabráněno, může vést k způsobení hmotných škod.

Nesprávné použití nebo nesprávná údržba tohoto výrobku mohou vést k způsobení vážného zranění nebo hmotných škod. Před použitím tohoto nářadí si přečtěte a řádně nastudujte všechny výstrahy a pracovní postupy. Při práci s nářadím musí být vždy dodržovány základní bezpečnostní předpisy, aby bylo omezeno riziko způsobení zranění.

VŠECHNA BEZPEČNOSTNÍ VAROVÁNÍ A POKYNY USCHOVEJTE PRO DALŠÍ POUŽITÍ

1.1 ZÁKLADNÍ BEZPEČNOSTNÍ PŘEDPISY

- Jako prevenci pro případ různých nebezpečí si před instalací, obsluhou, opravou, údržbou, výměnou příslušenství nebo před prací na tomto nářadí přečtěte a nastudujte bezpečnostní pokyny. Nedodržení tohoto pokynu může vést k vážnému úrazu.
- Toto nářadí může instalovat, seřizovat a používat pouze kvalifikovaná a zaškolená osoba.
- NEPOUŽÍVEJTE nýtovačky STANLEY Engineered Fastening na trhací nýty na jiné než určené účely.
- Používejte pouze díly, upevňovací prvky a příslušenství doporučené výrobcem.
- NEUPRAVUJTE toto nářadí. Provedené úpravy mohou snížit účinnost bezpečnostních opatření a mohou zvýšit riziko ohrožení uživatele. Za jakékoli úpravy tohoto nářadí provedené zákazníkem přebírá odpovědnost zákazník a takové úpravy ruší platnost záruky.
- Nevyhazujte tyto bezpečnostní pokyny a předejte je obsluze tohoto nářadí.
- Nepoužívejte toto nářadí, je-li poškozeno.
- Před použitím tohoto nářadí zkontrolujte vychýlení nebo zablokování pohyblivých částí, poškození jednotlivých dílů a jiné okolnosti, které mohou ovlivnit jeho chod. Je-li nářadí poškozeno, nechejte jej před použitím opravit. Před použitím sejměte z nářadí všechny klíče a seřizovací přípravky.
- Toto nářadí musí být pravidelně kontrolována, aby se ověřilo, zda jmenovité hodnoty a označení vyžadovaná touto částí normy ISO 11148 jsou na tomto nářadí čitelná. Je-li to nutné, zaměstnanec nebo uživatel musí kontaktovat výrobce, aby zajistil náhradní štítky.
- Toto nářadí musí být neustále udržováno v bezpečném provozním stavu a proškolená osoba musí v pravidelných intervalech provádět kontrolu, zda nedošlo k jeho poškození a zda je funkční. Každá demontáž nářadí musí být prováděna pouze proškolenou osobou. Nerozebírejte toto nářadí, aniž byste si nejdříve nastudovali postupy uvedené v pokynech pro údržbu.

1.2 RIZIKA TÝKAJÍCÍ SE ODMRŠTĚNÝCH PŘEDMĚTŮ

- Odpojte toto nářadí od přívodu vzduchu před prováděním jakékoli údržby, před seřizováním nářadí a před nasazením nebo sejmutím přední části nářadí nebo příslušenství.
- Uvědomte si, že poškození obrobku nebo příslušenství, nebo dokonce i vloženého nástroje, může vytvářet projektily odmrštěné vysokou rychlostí.
- Při práci s tímto nářadím vždy používejte ochranu zraku odolnou proti nárazu. Vyžadovaný stupeň ochrany musí být stanoven pro každé použití.

- V tomto okamžiku musí být stanovena také rizika hrozící jiným osobám.
- Zajistěte, aby byl obrobek bezpečně upevněn.
- Zkontrolujte, zda je na svém místě a funkční ochrana proti vyhození upevňovacího prvku a trnu.
- Dávejte pozor na možné prudké vyhození trnů z přední části tohoto náradí.
- NEPOUŽÍVEJTE náradí, které je namířeno na jiné osoby.

1.3 PROVOZNÍ RIZIKA

- Používání tohoto náradí může vystavit ruce obsluhy rizikům, včetně rozdrčení, nárazů, pořezání, odřenin a popálení. Chraňte si ruce pracovními rukavicemi.
- Obsluha a pracovníci údržby musí být fyzicky schopni zvládat velikost, hmotnost a výkon tohoto náradí.
- Držte toto náradí správně. Budte připraveni zvládat běžné nebo náhlé pohyby a mějte vždy k dispozici obě ruce.
- Udržujte rukojeti náradí suché a čisté. Dbejte na to, aby nebyly znečištěny olejem nebo mazivem.
- Při práci s tímto náradím udržujte rovnovážnou polohu těla a bezpečný postoj.
- V případě přerušení dodávky hydraulického oleje uvolněte spouštěcí a vypínací zařízení.
- Používejte pouze maziva doporučená výrobcem.
- Zabraňte kontaktu s hydraulickou kapalinou. Po kontaktu s hydraulickou kapalinou se vždy pečlivě umyjte, abyste minimalizovali riziko podráždění pokožky.
- Bezpečnostní listy materiálu pro všechny hydraulické oleje a maziva jsou k dispozici na vyžádání u dodavatele náradí.
- Vyvarujte se nevhodných poloh, protože je pravděpodobné, že tyto polohy neumožní zvládnutí normálních nebo neočekávaných pohybů náradí.
- Je-li toto náradí upevněno k závěsnému zařízení, ujistěte se, zda je toto upevnění bezpečné.
- Není-li namontováno zařízení na přední části, dávejte pozor na riziko rozdrčení nebo přiskřípnutí.
- NEPOUŽÍVEJTE náradí se sejmoutou přední částí.
- Před zahájením pracovního úkonu musí být ruce uživatele náradí v bezpečné vzdálenosti.
- Při přenášení náradí z místa na místo udržujte ruce v bezpečné vzdálenosti od spouštěcího spínače, abyste zabránili náhodnému spuštění náradí.
- ZABRAŇTE poškození náradí způsobenému jeho pádem a nepoužívejte toto náradí jako kladivo.
- Dávejte pozor, aby zbytky použitých nýtů nevytvářely bezpečnostní rizika.

1.4 RIZIKA SPOJENÁ S OPAKOVANÝMI POHYBY

- Při práci s tímto náradím může u jeho obsluhy docházet k nepříjemným pocitům v ruce, pažích, ramenou, krku nebo jiných částech těla.
- Při práci s tímto náradím musí obsluha zaujmout pohodlnou pozici, musí zachovávat bezpečný postoj a nesmí používat nevhodné nebo nevyvážené postoje. Obsluha tohoto náradí musí během provádění dlouhodobých pracovních úkonů měnit polohu těla. To může pomoci zabránit nepohodlí a únavě.
- Pokud se u obsluhy náradí vyskytnou příznaky, jako je přetrvávající nebo opakující se nepříjemné pocity, bolesti, pulzování, mravenčení, necitlivost, pálení nebo ztuhlost, tyto varovné signály nesmí být ignorovány. Uživatel náradí musí informovat zaměstnavatele a musí provést konzultaci s kvalifikovaným zdravotnickým odborníkem.

1.5 RIZIKA TÝKAJÍCÍ SE PŘÍSLUŠENSTVÍ

- Před nasazením nebo demontáží sestavy nástavce nebo příslušenství odpojte toto náradí od přívodu vzduchu.
- Používejte pouze rozměry a typy příslušenství a spotřební díly, které jsou doporučeny výrobcem tohoto náradí. Nepoužívejte jiné typy nebo rozměry příslušenství nebo spotřebních dílů.

1.6 RIZIKA SPOJENÁ S PRACOVNÍM PROSTOREM

- Uklouznutí, zakopnutí a pády jsou hlavními příčinami zranění na pracovišti. Dávejte pozor na kluzké povrchy vzniklé používáním tohoto náradí a také na riziko zakopnutí o vzduchové nebo hydraulické hadice.
- V neznámém prostředí pracujte opatrně. Mohou se zde vyskytovat skrytá rizika, jako jsou elektrické nebo inženýrské rozvody.
- Toto náradí není určeno pro použití v prostředích s potencionálně výbušnou atmosférou a není izolováno proti kontaktu s elektrickým napájením.
- Ujistěte se, zda se v pracovním prostoru nevyskytují žádné elektrické kabely, plynové potrubí atd., které by mohly při použití tohoto náradí způsobit jakákoli rizika.
- Vhodně se oblékejte. Nenoste volný oděv nebo šperky. Dbejte na to, aby se vaše vlasy, oděv a rukavice nedostaly do kontaktu s pohyblivými částmi. Volný oděv, šperky nebo dlouhé vlasy mohou být pohyblivými díly zachyceny.
- Dávejte pozor, aby zbytky použitých nýtů nevytvářely bezpečnostní rizika.

1.7 RIZIKA SPOJENÁ S HLUČNOSTÍ

- Vystavení vysokým hladinám hluku může způsobit trvalou ztrátu sluchu a další problémy, jako jsou šelesty (zvonění, bzučení, pískání nebo hučení v uších). Proto je zásadní posouzení těchto rizik a provádění příslušných kontrol těchto rizik.
- Mezi vhodné akce snižující tato rizika mohou patřit činnosti, jako jsou použití tlumících materiálů, které zabraňují „zvonivým“ zvukům obrobků.

- Používejte ochranu sluchu v souladu s pokyny zaměstnavatele a v souladu s předpisy pro bezpečnost a ochranu zdraví při práci.
- Používejte toto nářadí a provádějte jeho údržbu podle doporučení v tomto návodu k použití, abyste zabránili zbytečnému zvyšování hladiny hluku.

1.8 RIZIKA TÝKAJÍCÍ SE VIBRACÍ

- Vystavení se působení vibrací může způsobit poškození nervů a prokrvení rukou a paží.
- Při práci v chladném prostředí používejte teplé oblečení a udržujte ruce v teple a suchu.
- Pociťujete-li znecitlivění, mravenčení, bolest nebo zblednutí kůže na prstech nebo rukou, přestaňte toto nářadí používat, informujte svého zaměstnavatele a poraďte se s lékařem.
- Je-li to možné, ukládejte toto nářadí ve stojanu, napínáku nebo vyvažovači, protože lze snadnější úchop použít k podepření nářadí.

1.9 DOPLŇKOVÉ BEZPEČNOSTNÍ POKYNY PRO PNEUMATICKÉ A HYDRAULICKÉ NÁŘADÍ

- Provozní tlak stlačeného vzduchu nesmí překročit 7 barů (100 PSI).
- Stlačený vzduch může způsobit vážný úraz.
- Nikdy nenechávejte bez dozoru nářadí, které je v chodu. Není-li toto nářadí používáno, před výměnou příslušenství nebo před prováděním oprav, odpojte hadici se stlačeným vzduchem.
- Výfukový otvor na záchytné schránce NESMÍ směřovat na obsluhu nebo jiné osoby. Nikdy nesměřujte proud vzduchu na sebe nebo na jiné osoby.
- Prudce vymrštěné hadice mohou způsobit vážný úraz. Vždy zkontrolujte, zda nedošlo k poškození nebo uvolnění hadic a spojek.
- Před zahájením práce zkontrolujte, zda nedošlo k poškození vedení stlačeného vzduchu. Všechny spoje musí být bezpečné. Zabraňte pádu těžkých předmětů na hadice. Náraz ostrého předmětu může způsobit vnitřní poškození hadice, což povede k jejímu předčasnému zničení.]
- Proud studeného vzduchu nesmí směřovat na ruce.
- Kdykoli jsou použity univerzální otočné spojky (zubové spojky), musí být nainstalovány pojistné kolíky a musí být použity bezpečnostní kabely pro zajištění proti možnému selhání připojení hadic k nářadí nebo hadice k hadici.
- NEZVEDEJTE nářadí za hadici. Vždy používejte rukojeť nářadí.
- Větrací otvory nesmí být zablokovány nebo zakryty.
- Zabraňte vniknutí nečistot a cizích látek do hydraulického systému nářadí, protože by v takovém případě došlo k jeho poškození.
- Olej pod tlakem může způsobit vážná zranění.
- Před použitím proveďte kontrolu hydraulických hadic z hlediska poškození. Před provozem musejí být všechny hydraulické přípojky čisté, kompletně připojené a těsné. Zabraňte pádu těžkých předmětů na hadice. Náraz ostrého předmětu může způsobit vnitřní poškození hadice, což povede k jejímu předčasnému zničení.
- NETAHEJTE nebo nepřemísťujte jednotku intenzifikátoru pomocí hadic. Vždy používejte rukojeť na jednotce.
- Používejte pouze čistý olej a plnicí zařízení.
- Mohou být použity pouze doporučené hydraulické kapaliny.
- Maximální teplota hydraulické kapaliny na vstupu je 100 °C.

⚠ VAROVÁNÍ: Zatímco při normálním a správném používání trnů přirozeně dochází k jejich menšímu opotřebování a poškrábání, musí být pravidelně kontrolovány z důvodu nadměrného opotřebování, a to se zvláštním důrazem na průměr hlavy, místo sevření koncovými čelistmi nebo vážné poškození stopky a jakoukoli deformaci trnu. Trny, které během používání selžou, by mohly z nářadí odpadnout. Je povinností zákazníka zajistit výměnu trnů, když jsou nadměrně opotřebovány a vždy před dosažením doporučeného maximálního počtu pracovních cyklů. Kontaktujte zástupce společnosti STANLEY Engineered Fastening, který vás seznámí s tímto údajem tak, že změří zatížení aplikace pomocí kalibrovaného testovacího zařízení.

Politikou společnosti STANLEY Engineered Fastening je nepřetržitý vývoj a inovace výrobků, a proto si vyhrazujeme právo na změnu specifikace jakéhokoli výrobku bez předchozího upozornění.

2. TECHNICKÉ ÚDAJE

2.1 SPECIFIKACE NÁŘADÍ 07536

Tlak vzduchu	Minimální – Maximální	5–7 barů (70–100 lbf/in ²)
Požadovaný objem vzduchu	při tlaku 5,1 barů / 75 lbf/in ²	2,6 l (0,09 ft ³)
Zdvih	Minimální	25 mm (1 in)
Tažná síla	při tlaku 5,5 barů / 80 lbf/in ²	3,89 kN (875 lbf)
Doba cyklu	Přibližně	1 s
Hmotnost	Pistole	1,2 kg (2,64 lb)

2.2 SPECIFIKACE ZESILOVAČE 07531

Tlak vzduchu	Minimální – Maximální	5–7 barů (70–100 lbf/in ²)
Zesilovací poměr		32 : 1

Hodnoty hlučnosti určené podle kódů zkoušky hlučnosti ISO 15744 a ISO 3744.		07536
Měřená hladina akustického výkonu dB(A), L_{WA}	Odchylka hlučnosti: $k_{WA} = 2,3$ dB(A)	79,5 dB(A)
Měřená hladina akustického tlaku na pracovní stanici dB(A), L_{pA}	Odchylka hlučnosti: $k_{pA} = 2,3$ dB(A)	68,5 dB(A)
Měřené maximální emise akustické tlaku dB(C), L_{pC} , max	Odchylka hlučnosti: $k_{pC} = 2,5$ dB(C)	96,9 dB(C)
Hodnoty vibrací určené podle kódů zkoušky vibrací ISO 20643 a ISO 5349.		07536
Úroveň vibrací, a_{hd}	Odchylka vibrací: $k = 0,25$ m/s ²	0,97 m/s ²
Deklarované emisní hodnoty vibrací v souladu s požadavky normy EN 12096		

3. ÚČEL POUŽITÍ

Toto pneumatické nářadí 07536 je lehké ruční nářadí, které je určeno pro umísťování upevňovacích prvků Avlug® 1/16", což z něj vytváří ideální nářadí pro dávkovou nebo průběžnou montáž se širokou řadou použití ve všech průmyslových odvětvích.

Toto ruční nářadí a zesilovač byly testovány jako samostatné položky i dohromady. Mohou být používány pouze společně a pro žádné jiné účely. Viz část „Uvedení do provozu“ na stranách 89–92, kde jsou uvedeny informace o připojení.

Číslo dílů jsou zobrazena tak, aby se objednálo kompletní nářadí, ale žádné vybavení ústí.

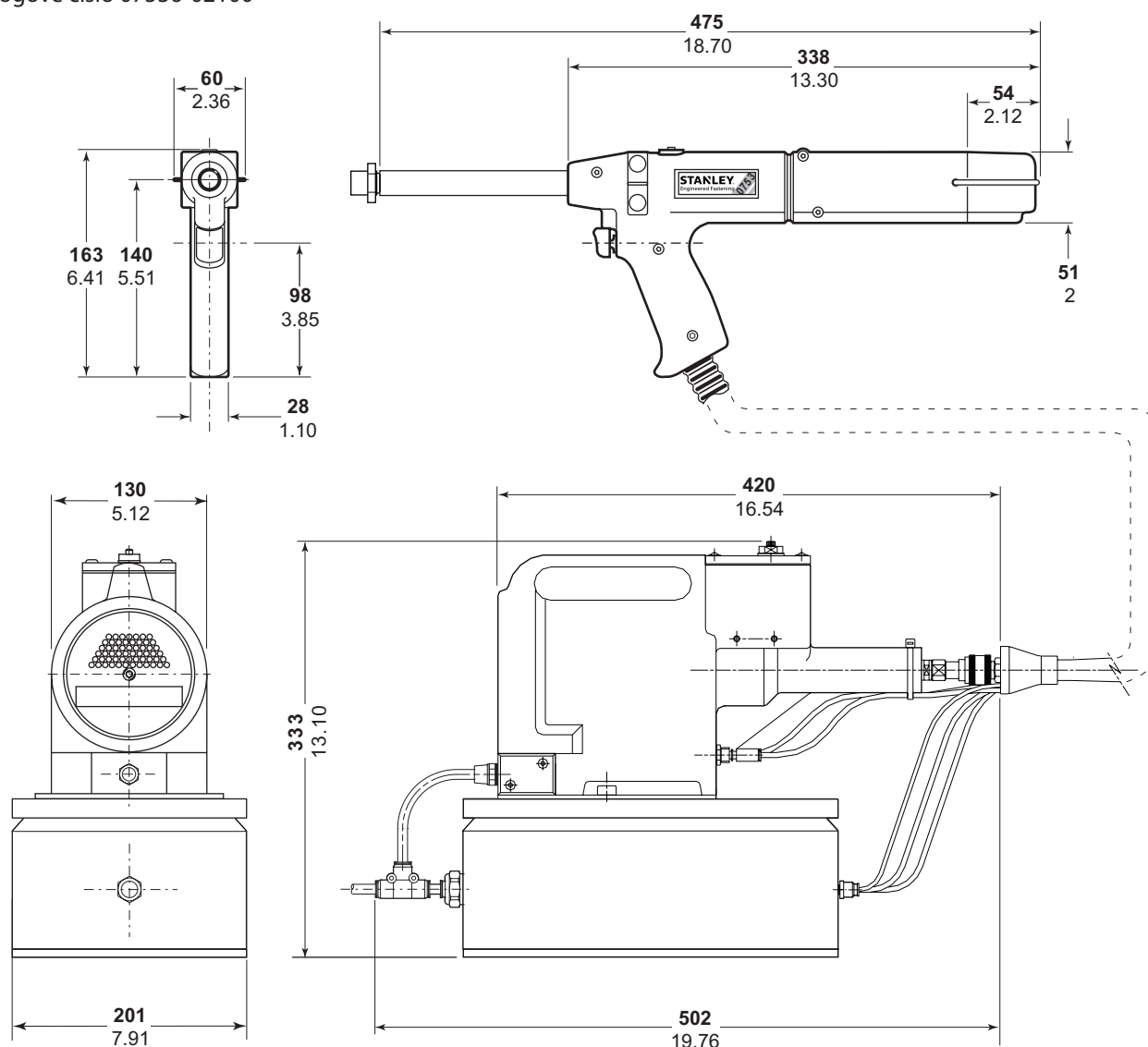
Katalogové číslo nářadí pro model 07536 je 07536-02200.

Viz celkové sestavy na stranách 95–102.

NEPOUŽÍVEJTE toto nářadí ve vlhkém prostředí nebo na místech s výskytem hořlavých kapalin nebo plynů.

3.1 ROZMĚRY NÁŘADÍ – MODEL 07536

Katalogové číslo 07536-02100



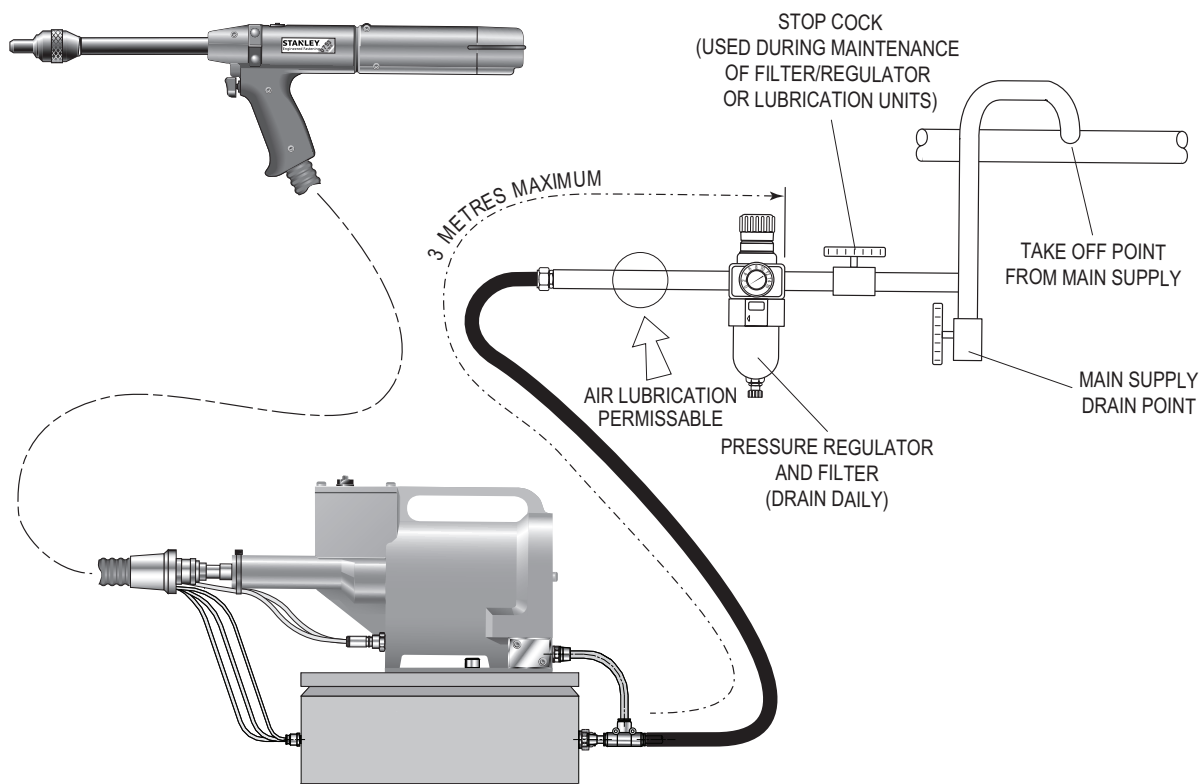
Rozměry jsou uvedeny v mm.

4. UVEDENÍ DO PROVOZU

4.1 DODÁVKA STLAČENÉHO VZDUCHU

Každé nářadí je poháněno stlačeným vzduchem pod optimálním tlakem 5,5 baru. Doporučujeme vám používat regulátory tlaku a automatické mazací/filtrační systémy na hlavním přívodu vzduchu. V zájmu zajištění maximální životnosti a minimální údržby nářadí by měly být namontovány do vzdálenosti 3 metrů od nářadí (viz obrázek níže).

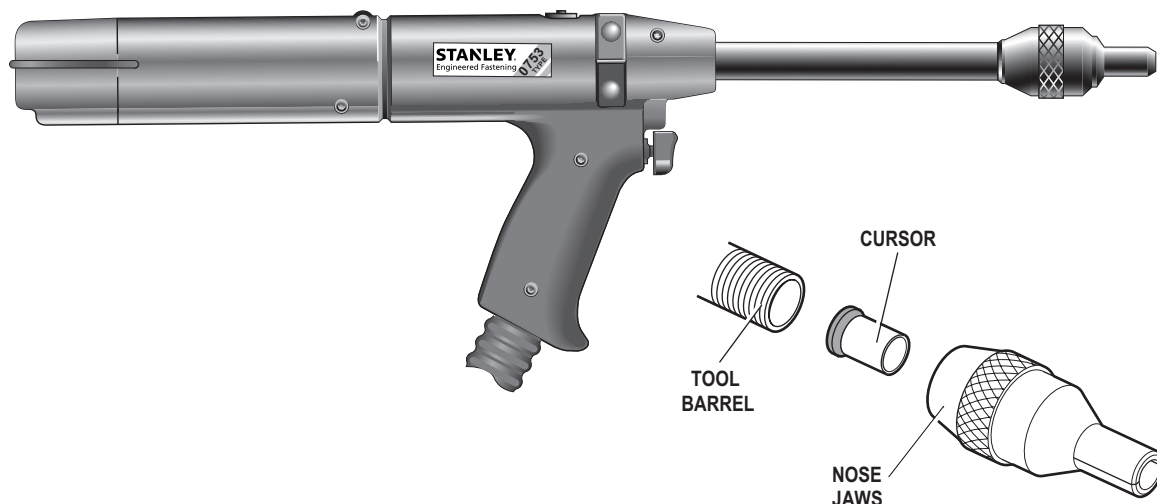
Všechny hadice přívodu vzduchu musí mít minimální hodnotu efektivního provozního tlaku minimálně o 150 % vyšší, než je hodnota maximálního tlaku generovaného systémem nebo hodnotu 10 barů, podle toho, která z těchto hodnot je vyšší. Vzduchové hadice musí být odolné vůči oleji, musí mít vnější části odolné vůči oděru a může-li dojít vlivem provozních podmínek k poškození hadic, musí být vyztuženy. Všechny hadice přívodu vzduchu MUSÍ mít minimální vnitřní průměr 6,4 mm nebo 1/4 palce.



Při připojování nářadí k zesilovači a hlavnímu přívodu vzduchu postupujte podle následujících pokynů:

- Zasuňte konec velké hydraulické hadice z nářadí do rychlospojky na konci zesilovače.
- Na přední části zesilovače (viz strana 95):
 - Zatlačte modrou pneumatickou hadici (vnější průměr 4 mm) do redukčního šroubení, které se nachází v konektoru levé přepážky.
 - Zatlačte černou pneumatickou hadici (vnější průměr 4 mm) do redukčního šroubení, které se nachází v konektoru pravé přepážky.
- Na přední části ovládacího boxu (viz strana 95):
 - Zatlačte stříbrnou pneumatickou hadici (vnější průměr 3 mm) do redukčního šroubení s označením „Jezdec“ na přední ploše ovládacího boxu – levá strana.
 - Zatlačte zelenou pneumatickou hadici (vnější průměr 4 mm) do redukčního šroubení s označením „Koncové čelisti“ na přední ploše ovládacího boxu – uprostřed.
 - Zatlačte bílou pneumatickou hadici (vnější průměr 4 mm) do redukčního šroubení s označením „Signál“ na přední ploše ovládacího boxu – pravá strana.
- Upevněte hadici mezi vnější spojkou na zadní části zesilovače a hlavní přívod vzduchu.

4.2 PNEUMATICKÝ JEZDEC



Výběr pneumatického jezdec

Viz samostatný datový list 07900-00863 pro komponenty sestavy přední části.

JEZDEC

DŮLEŽITÉ

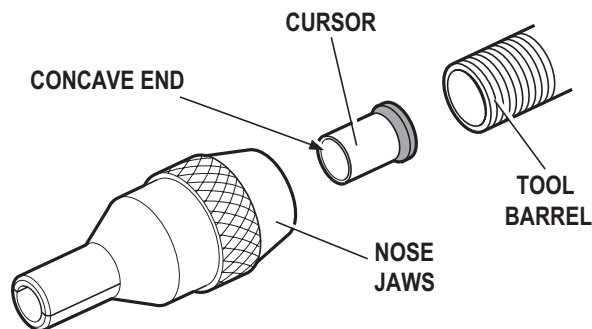
Není-li jezdec nainstalován správně, neumožní správné plnění náradí a posuv upevňovacích prvků.

Bude-li jezdec po dodání náradí upevněn správným způsobem, doporučujeme vám, abyste před nasazením vybavení přední části zkontrolovali jeho orientaci. Mírně konkávní koncová část jezdec musí směřovat k přední části náradí tak, jak je zobrazeno na nákresu.

Chcete-li změnit orientaci jezdec, postupujte následovně:

Při provádění následujícího postupu musíte dbát mimořádné opatrnosti. Při manipulaci s trubicí a vyčnívajícím trnem musíte být velmi opatrní.

- Sejměte sestavu přední části, je-li na náradí.
- Zasuňte prázdný trn zcela do náradí.
- Zavřete koncové čelisti **32** pomocí spínače koncových čelistí (položky **18** a **19**).
- Jezdec po krátké prodlevě vyskočí z trubice.
- Rozevřete koncové čelisti **32** pomocí spínače koncových čelistí (položky **18** a **19**), čímž dojde k uvolnění trnu.
- Sejměte jezdec z trnu a zasuňte jezdec do trubice.



4.3 PLNĚNÍ A DOPLŇOVÁNÍ NÁRADÍ

DŮLEŽITÉ

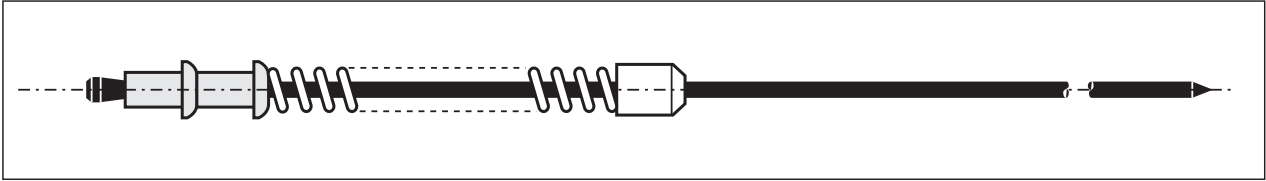
Postup pro plnění tohoto náradí a pro montáž vybavení přední části na toto náradí je ucelený.

Při objednávání kompletního náradí nebo systému vám bude běžně dodáno náradí s kompletním vybavením přední části pro požadovaný upínací prvek.

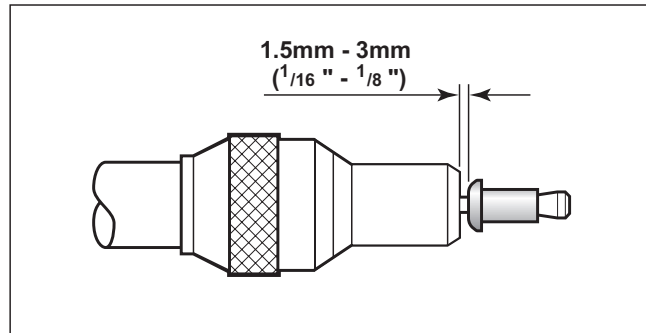
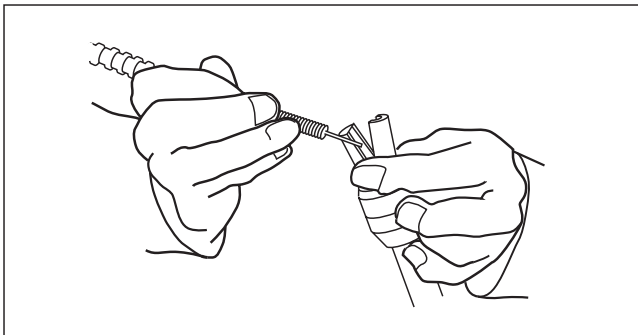
Pokud vám byly dodány přední čelisti, trny a vodící pružiny trnů, pokračujte v plnění náradí a montáži vybavení přední části, jak je zobrazeno na níže uvedeném obrázku.

Plnění nářadí

- Připojte k nářadí přívod vzduchu.
- Rozevřete koncové čelisti **32**, které svírají trn, vypnutím spínače koncových čelistí (položky **18 a 19**).
- Našroubujte na trubici **44** nářadí zvolené přední čelisti.
- * Vložte trn do koncové části upevňovacího prvku přes papírovou krytku.
- Nasuňte vodící pružinu trnu na použitý trn a zajistěte její správnou orientaci.



- Upněte koncovou část trnu a odtrhněte papírovou krytku nacházející se na upevňovacích prvcích.
- Rozevřete přední čelisti buď otáčením vnějšího kroužku u čelistí ovládaných vačkou nebo vytlačení koncových částí čelistí směrem ven, jak je zobrazeno níže vlevo.
- Zasuňte předem sestavený trn, vodící pružinu trnu a upevňovací prvky do předních čelistí, dokud nebude z předních čelistí vyčnívat první upevňovací prvek, který bude použit.
- Zavřete přední čelisti a nastavte je tak, aby první upevňovací prvek vyčníval o 1,5–3 mm ($1/16''$ až $1/8''$), jak je zobrazeno vpravo dole.
- Zavřete koncové čelisti **32**, abyste zajistili sevření trnu, a to stisknutím spínače koncových čelistí (položky **18 a 19**).

**Opětovné plnění nářadí**

- Rozevřete koncové čelisti **32**, které svírají trn, vypnutím spínače koncových čelistí (položky **18 a 19**).
- Otevřete přední čelisti a vytáhněte prázdný trn a vodící pružinu trnu z nářadí.
- Znovu naplňte nářadí podle výše uvedených pokynů a začněte od kroku •*.

Nastavení nářadí – Pouze sestavy s nastavitelnou přední částí

Zasuňte předem sestavený trn (viz část Plnění nářadí •*) nebo jednorázový trn proti dorazu v sestavě pístu koncových čelistí **60**.

Zatímco budete držet trn zavřete koncové čelisti **32**, které svírají trn, zapnutím spínače koncových čelistí (položky **18 a 19**).

Našroubujte pojistnou matici na trubici **44** nářadí.

Našroubujte sestavu přední části na trubici **44**.

Nastavte sestavu přední části tak, aby první upevňovací prvek vyčníval o 1,5–3 mm ($1/16''$ – $1/8''$), jak je zobrazeno na nákresu na straně 91.

Utáhněte pojistnou matici proti sestavě přední části tak, abyste zabránili pohybu sestavy předních čelistí.

Opětovné plnění nářadí

Rozevřete koncové čelisti tohoto nářadí vypnutím spínače koncových čelistí (**18 a 19**).

Otevřete přední čelisti a vytáhněte prázdný trn a vodící pružinu trnu z nářadí.

Zasuňte nový trn proti dorazu v nářadí a zavřete koncové čelisti **32**, které upínají trn, zapnutím spínače koncových čelistí (**18 a 19**).

Zavřete koncové čelisti **32**.

4.4 PRACOVNÍ POSTUP**DŮLEŽITÉ**

Před použitím tohoto nářadí musíte zkontrolovat, zda má jezdec správnou orientaci a zda je použito správné vybavení přední části.

- Zatlačte upínací prvek vyčnívající z předních čelistí plně do spojovacích otvorů. Držte přitom nářadí rovně.
- Stiskněte spoušť a neuvolňujte ji – hlavice trnu se protáhne upínacím prvkem a příslušně ho zdeformuje.
- Sejměte nářadí.
- Uvolněte spouštěcí spínač. Do přední čelisti se automaticky zavede další upevňovací prvek a bude připraven k použití.

5. SERVIS NÁŘADÍ

Pravidelná údržba a komplexní kontroly musí být prováděny každý rok nebo po provedení každých 500 000 cyklů, podle toho, co nastane dříve.

DŮLEŽITÉ

Zaměstnavatel odpovídá za zajištění toho, aby byly tyto pokyny pro údržbu nářadí poskytnuty příslušným osobám.

Uživatel nářadí se nesmí podílet na údržbě nebo opravách tohoto nářadí, pokud není řádně vyškolen.

5.1 PNEUMATICKÝ OVLÁDACÍ BOX

DŮLEŽITÉ

Pneumatický ovládací box nesmí být za žádných okolností rozebírán. Tento box je uzavřenou položkou.

Vnitřní nastavení jsou přednastavena a nesmí být měněna nebo upravována.

Rozebírání tohoto ovládacího boxu mohou provádět pouze pracovníci autorizovaného servisu STANLEY Engineered Fastening.

▲ UPOZORNĚNÍ: K čištění nekovových součástí nářadí nikdy nepoužívejte rozpouštědla nebo jiné agresivní látky. Tyto chemické látky mohou oslabit materiály použité v těchto částech.

5.2 DENNÍ ÚDRŽBA

- Každý den před použitím nebo před prvním uvedením nářadí do provozu. Nalijte několik kapek čistého mazacího oleje do vstupu pro přívod stlačeného vzduchu do zesilovače, není-li na systému pro přívod stlačeného vzduchu žádné mazací zařízení. Bude-li toto nářadí pracovat v nepřetržitém režimu, po každých dvou až třech hodinách musí být hadice se stlačeným vzduchem odpojena od přívodu a nářadí musí být namazáno.
- Zkontrolujte, zda nedochází k úniku vzduchu a oleje. V případě poškození proveďte výměnu hadic a spojovacích dílů.
- Není-li na regulátoru tlaku žádný filtr, před připojením hadice se stlačeným vzduchem k zesilovači odzdušněte systém rozvodu vzduchu, aby došlo k odstranění nahromaděných nečistot nebo vody. Je-li na vedení filtr, proveďte jeho vypuštění.
- Zkontrolujte, zda je vybráno správné vybavení přední části.
- Pravidelně kontrolujte opotřebování nebo poškození trnů a kontrolujte počet pracovních aplikací (přečtěte si bezpečnostní pokyny na stranách 84–86).

5.3 TÝDENNÍ ÚDRŽBA

- Proveďte všechny výše uvedené úkony denní údržby.
- Sejměte, zkontrolujte, očistěte a namažte koncové čelisti (viz část „Válec koncových čelistí“ v části „Údržba“ na straně 96).
- Zkontrolujte, zda se hladina oleje v nádržce zesilovače nachází přibližně 12 mm (1/2") pod průhlednou krycí deskou.

5.4 MAZIVO MOLY LITHIUM EP 3753 – BEZPEČNOSTNÍ ÚDAJE

Mazivo může být objednáno jako samostatná položka, katalogové číslo je uvedeno v části Servisní sada na straně 94.

První pomoc

POKOŽKA:

Protože je toto mazivo zcela odolné vůči vodě, odstraňte jej nejlépe pomocí schváleného emulzního čistícího prostředku.

POŽITÍ:

Zajistěte, aby postižená osoba vypila 30 ml suspenze hydroxidu hořečnatého, nejlépe v šálku mléka.

ZRAK:

Dráždivé, ale ne škodlivé. Vypláchněte vodou a vyhledejte lékařské ošetření.

Požár

BOD VZPLANUTÍ: Více než 220 °C.

Není klasifikováno jako hořlavina.

Vhodné hasicí prostředky: CO₂, halonová nebo vodní sprcha při použití zkušenou osobou.

Ochrana životního prostředí

Seškrábněte a zajistěte spálení nebo likvidaci na schváleném pracovišti.

Manipulace

Používejte ochranný krém nebo rukavice odolné proti olejům.

Uložení

Mimo prostory s oxidačními činidly a zdroji tepla.

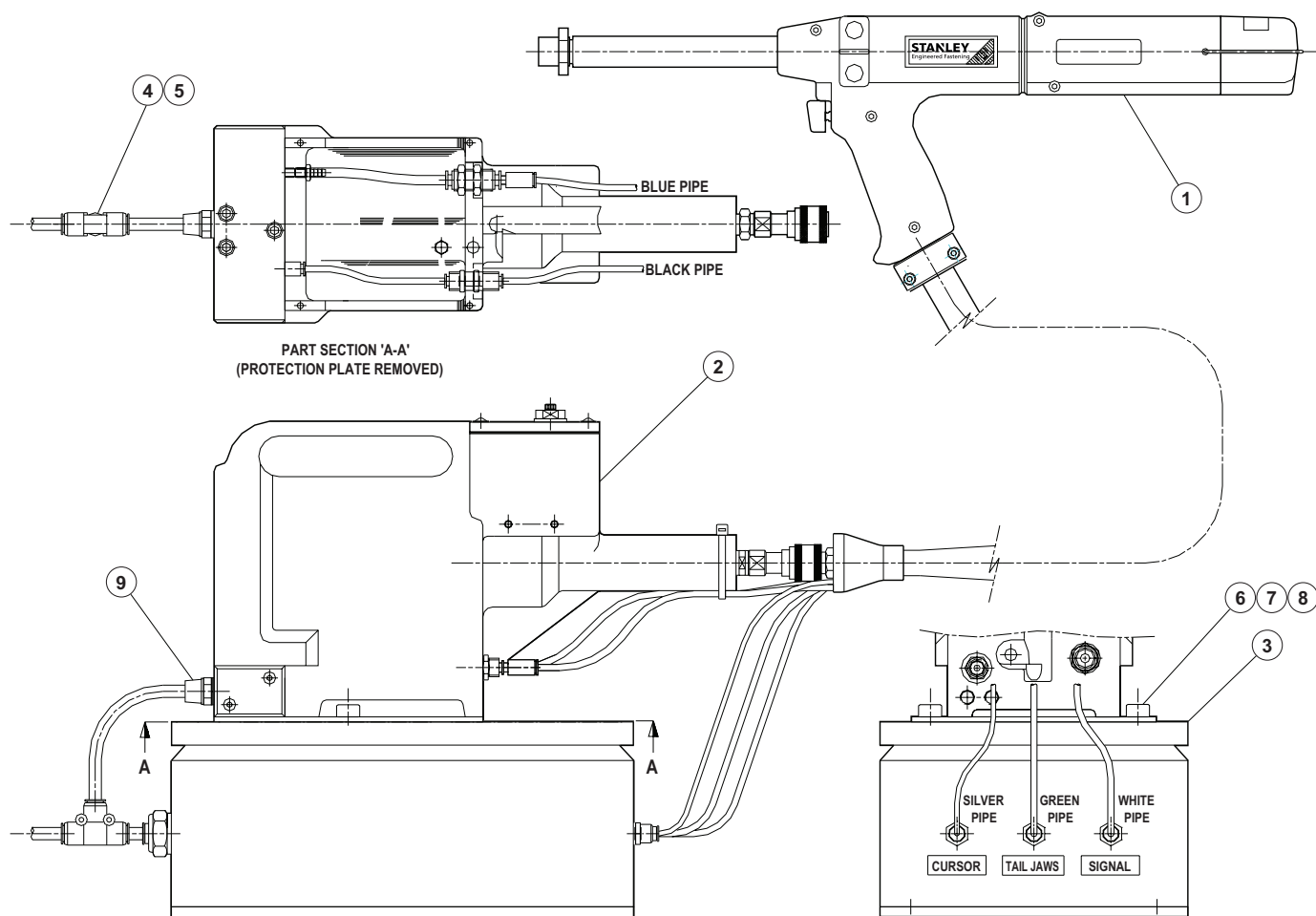
5.5 SERVISNÍ SADA

Pro všechny servisní práce vám doporučujeme používat servisní sadu (katalogové číslo 07900-05300).

SERVISNÍ SADA					
KATALOGOVÉ ČÍSLO POLOŽKY	POPIS	POČET	KATALOGOVÉ ČÍSLO POLOŽKY	POPIS	POČET
07900-00157	KLEŠTĚ NA POJISTNÉ KROUŽKY	1	07900-00352	HÁČEK NA ODSTRANĚNÍ TĚSNĚNÍ	1
07900-00006	STĚRKA	1	07900-00710	KLÍČ PRO DEMONTÁŽ ZÁTKY TRUBICE	1
07900-00446	STAHOVÁK	1	07900-00725	KULIČKA	1
07900-00603	ČELISTI SVĚRÁKU NA TRUBICI	1	07900-00243	ŠROUBOVÁK	1
07900-00520	TYČ 3/8"	1	07900-00717	KLÍČ ZESILOVAČE	1
07900-00521	TYČ 1/4"	1	07900-00013	ŠESTIHRANNÝ KLÍČ 1/8"	1
07900-00602	SESTAVA O-KROUŽKŮ KULIČKY	1	07900-00617	BALENÍ LEPIDLA NA TĚSNĚNÍ LOCTITE® MULTI-GASKET 574 – 50 ml	1
07900-00595	KLÍČ 18 mm	1	07900-00469	ŠESTIHRANNÝ KLÍČ 2,5 mm	1
07900-00434	KLÍČ 32 mm	1	07900-00351	ŠESTIHRANNÝ KLÍČ 3 mm	1
07900-00237	KLÍČ 3/8" × 5/16" B.S.W.	1	07900-00224	ŠESTIHRANNÝ KLÍČ 4 mm	1
07900-00012	KLÍČ 9/16" × 5/8"	1	07900-00225	ŠESTIHRANNÝ KLÍČ 5 mm	1
07900-00008	KLÍČ 7/16" × 1/2"	1	07992-00020	PLECHOVKA MAZIVA MOLY LITHIUM GREASE EP 3753 – 80 g	1

Poznámka: Rozměry klíčů jsou měřeny „přes plošky hlavy“, není-li uvedeno jinak.

5.6 SESTAVA PNEUMATICKÝ JEZDEC, ZESILOVAČ A OVLÁDACÍ BOX – 07536-02100



POLOŽKA	KATALOGOVÉ ČÍSLO	POPIS	POČET
1	07536-02200	RUČNÍ NÁŘADÍ S PNEUMATICKÝM JEZDCEM	1
2	07531-02200	ZESILOVAČ NÁŘADÍ	1
3	07007-02024	OVLÁDACÍ BOX PNEUMATICKÉHO JEZDCE	1
4	07005-10071	T SPOJKA	1
5	07005-10072	POTRUVÍ 8 MM (2,50 m)	1
6	74405-12080	MODIFIKOVANÁ ŠROUBOVACÍ VLOŽKA M8	8
7	07001-00469	ŠROUB S HLAVOU S VNITŘNÍM ŠESTIHRANEM M8 × 15	2
8	07002-00105	PODLOŽKA M8	4
9	07005-01573	SPOJOVACÍ TRUBICE S VNĚJŠÍM ZÁVITEM 8 MM	1
10	07005-01977	REDUKCE VNĚJŠÍ/VNITŘNÍ ZÁVIT 6 MM / 4 MM	1

6. ÚDRŽBA

Každých 500 000 cyklů musí být nářadí zcela demontováno a musí být použity nové komponenty místo opotřebovaných nebo poškozených dílů, nebo v případě, je-li jejich výměna doporučena. Před sestavením tohoto nářadí musí být všechna těsnění a O-kroužky vyměněny a namazány mazivem Moly Lithium EP 3753.

DŮLEŽITÉ

Bezpečnostní pokyny jsou uvedeny na straně 4.

Zaměstnavatel odpovídá za zajištění toho, aby byly tyto pokyny pro údržbu nářadí poskytnuty příslušným osobám. Uživatel nářadí se nesmí podílet na údržbě nebo opravách tohoto nářadí, pokud není řádně vyškolen.

Před provedením jakéhokoli servisu nebo demontáže musí být odpojen přívod vzduchu, pokud není výslovně uvedeno jinak.

Doporučujeme vám, abyste všechny úkony demontáže prováděli v čistém prostředí.

Před zahájením demontáže nářadí musíte sejmut vybavení ústí.

Při celkové údržbě nářadí doporučujeme pokračovat v demontáži dílčích sestav v níže uvedeném pořadí až po odpojení hydraulické hadice od jednotky zesilovače a vzduchového vedení od zesilovače a ovládacího boxu, čímž dojde k oddělení pistole od jednotky zesilovače.

Před prováděním údržby musí být odstraněny potenciálně nebezpečné látky, které mohou být usazeny na tomto stroji v důsledku probíhajících pracovních procesů.

6.1 DEMONTÁŽ 07536-02200

VÁLEC KONCOVÝCH ČELISTÍ

- Ručně vyklopte svorku **53** nahoru a odstraňte koncovou krytku **59**.
- Pomocí šestihranného klíče* vyšroubujte jeden šroub s hlavou s vnitřním šestihranem **6** a ujistěte se, zda došlo k uvolnění vzduchu zachyceného ve válci koncové čelisti. Vyšroubujte druhý šroub s válcovou hlavou s vnitřním šestihranem **6**.
- Vytáhněte zadní zátku **50**. **Poznámka:** Z důvodu usnadnění demontáže je na zadní části zátky k dispozici závit 5 mm.
- Oddělte komponenty pneumatických koncových čelistí, mezi které patří sestava pístu koncových čelistí **60**, doraz **52**, O-kroužek **12** a čelistí **32**.
- Oddělte zbývající komponenty skládající se z pružiny 36 a pouzdra čelistí **42**.
- Volná délka pružiny **36** musí být 38,1 mm (1,5"). Je-li to nutné, proveďte výměnu.
- Vyjměte utěšňovací O-kroužek sestavy pístu **11**.
- Odpojte spirálovou trubici pneumatického jezdce (zelená) **49** od kolena **22**.
- Odpojte spirálovou trubici pneumatického jezdce (stříbrná) **38** od kolena **30**.
- Pomocí šestihranného klíče* vyšroubujte všech pět upevňovacích šroubů **3, 4** a všechny čtyři matice **8** z rukojeti nářadí.
- Upněte trubici **44** do svěráku s měkkými čelistmi, abyste zabránili poškození.
- Pomocí nástrčného klíče* vyšroubujte zátku trubice **46**, a pomocí otevřeného klíče* zabraňte otáčení trubice **44**.
- Vytáhněte válec koncových čelistí **47** z nářadí.
- Odstraňte O-kroužek **14**, pryžový pásek **41** a vratnou pružinu trubice **37**.
- Před sestavením pokryjte mazivem Moly Lithium čelo koncových čelistí **32**, které je v kontaktu s pouzdem čelistí **42**.
- Montáž proveďte opačným postupem než demontáž.

HYDRAULICKÝ PÍST

- Demontujte válec koncových čelistí **47** podle výše popsaného postupu.
- Upněte těleso **45** do svěráku s měkkými čelistmi*, abyste zabránili poškození a vyšroubujte doraz zdvihu **40**.
- Pomocí šestihranného klíče* povolte šroub **5**, který upevňuje blok spínače **54** k trubici **44**.

* Týká se položek obsažených v servisní sadě 0753 MkII. Úplný seznam najdete na straně 94.

Čísla položek označená **tučně** odkazují na základní sestavu a na seznam dílů na stranách 98–99.

- Uchopte pevně nářadí a sejměte trubici **44** z těla nářadí **45** (z těla nářadí může vytrysknout malé množství hydraulického oleje).
- Opatrně demontujte píst **39** tak, aby nedošlo k poškození otvoru v těle nářadí.
- Sejměte těsnění **16**.
- Těsnění **17** je obtížné demontovat, aniž by došlo k jeho poškození, ale během čištění může zůstat na příslušném místě (za předpokladu, že nebude při čištění poškozeno). Bude-li ovšem výměna těsnění **17** nutná, postupujte následovně:
- Pomocí stěrky* uvolněte těsnění **17** z tělesa **45** a dávejte pozor, aby nedošlo k poškození dutin a otvorů na těle nářadí. Sejmuté těsnění **17** MUSÍ být zlikvidováno.
- Při výměně těsnění **17** vyšroubovávejte sestavu odvodušňovací zátky **43**, dokud nebude vnitřní čelo srovnáno s vnitřním otvorem v těle nářadí **45**. Tak získáte plynulý průchod pro vložení nového těsnění **17** přes zadní část těla nářadí **45**.
- Ujistěte se, zda je těsnění **17** řádně namazáno a zda je správně otočeno otevřenou částí směrem k zadním koncovým čelistem.
- Provedte montáž opačným postupem než demontáž.

SESTAVA SPOUŠTĚCÍHO SPÍNAČE

- Při provádění demontáže nebo servisu této sestavy sejměte z nářadí kryty podle výše uvedeného postupu.
- Odpojte od sestavy všechny vzduchové hadice a dávejte přitom pozor, abyste je nepoškodili. Demontujte sestavu.
- Pomocí klíče* vyšroubujte držák **34** a sejměte jej. Dávejte pozor na pružinu **31**.
- Vyjměte O-kroužek **10** a dávejte pozor, aby nedošlo k poškození uložení hřídele 35 a držáku **34**.
- Provedte očištění a opětovné sestavení s novým O-kroužkem **10**.
- Zkontrolujte délku pružiny **31**, která musí být 12,7 mm (0,5") – je-li to nutné, vyměňte ji.
- Montáž provedte opačným postupem než demontáž.

VENTIL ZAPNUTO/VYPNUTO PRO KONCOVÉ ČELISTI

- Tato jednotka je navržena tak, aby během životnosti nářadí byla nutná pouze minimální údržba.
- Musíte-li demontovat tento ventil, postupujte následovně:
- Demontujte blok spínače **56** podle popisu v části „Hydraulický píst“.
- Pomocí šroubováku* opatrně odstraňte chromovanou podložku Star-lock **18** z cívky koncových čelistí **55** a vyhodte ji.
- Vytáhněte cívku koncových čelistí **55** z bloku spínače **54**.
- Dávejte pozor, aby nedošlo k poškození cívky koncových čelistí **55** a demontujte O-kroužky **12**.
- Vyčistěte cívku a znovu namontujte nové O-kroužky **12** pomocí montážní kuličky* a vložte ji do bloku spínače **54** se správnou orientací.
- Nasadte novou chromovanou podložku Star-lock **18** pomocí upnutí do svěráku s měkkými čelistmi, abyste zabránili poškození. NEPOUŽÍVEJTE NADMĚRNOU SÍLU.
- Montáž provedte v obráceném pořadí jako demontáž.

RUKOJEŤ A KONCOVÁ KRYTKA

- Očistěte a zkontrolujte lišty, zda nejsou popraskány nebo jinak poškozeny.

JEZDEC

- Občas očistěte a namažte sestavu jezdec malým množstvím lehkého oleje.

DŮLEŽITÉ

**Zkontrolujte nářadí před každodenní a týdenní údržbou.
Po demontáži nářadí a před jeho použitím je VŽDY nutné naplnění tohoto nářadí.**

* Týká se položek obsažených v servisní sadě 0753 MkII. Úplný seznam najdete na straně 94.
Čísla položek označená **tučně** odkazují na základní sestavu a na seznam dílů na stranách 98–99.

6.3 SEZNAM DÍLŮ ZÁKLADNÍHO NÁŘADÍ 07536-02200

07536-02200 – SEZNAM DÍLŮ										
POLOŽKA	ČÍSLO DÍLU	POPIS	POČET	NAHRADNÍ DÍLY	POLOŽKA	ČÍSLO DÍLU	POPIS	POČET	NAHRADNÍ DÍLY	
1	07007-00392	VÁZACÍ PÁSKA (NENÍ ZOBRAZENA)	1	-	34	07220-00803	DRŽÁK	1	-	
2	07001-00499	DLOUHÝ STAVĚCÍ ŠROUB S VÁLCOVOU HLAVOU M3 x 5	3	-	35	07241-00208	HŘÍDEL	1	-	
3	07001-00262	DLOUHÝ ŠROUB S HLAVOU S VNITŘNÍM ŠESTIHRANEM M4 x 22	1	-	36	07154-00404	PRUŽINA	1	-	
4	07001-00401	DLOUHÝ ŠROUB S HLAVOU S VNITŘNÍM ŠESTIHRANEM M4 x 10	4	-	37	07490-03002	VRATNÁ PRUŽINA TRUBICE	1	-	
5	07001-00404	DLOUHÝ STAVĚCÍ ŠROUB S VÁLCOVOU HLAVOU M5 x 6	1	-	38	07536-02211	SPIRÁLOVÁ TRUBICE PNEUMATICKÉHO JEZDCE 3 MM	1	-	
6	07001-00504	DLOUHÝ ŠROUB S HLAVOU S VNITŘNÍM ŠESTIHRANEM M4 x 6	2	2	39	07536-00203	PÍST	1	-	
7					40	07530-00204	OMEZOVAČ ZDVIHU	1	-	
8	07002-00134	ŠESTIHRANNÁ MATICE M4	4	-	41	07530-00206	GUMOVÝ PÁSEK	1	1	
9	07002-00153	PODLOŽKA M4 (PLASTOVÁ)	2	-	42	07536-00208	POUZDRO ČELISTI	1	-	
10	07003-00022	O-KROUŽEK	1	-	43	07530-00500	SESTAVA ODVZDUŠŇOVACÍ ZÁTKY (POLOŽKY 62 AŽ 65) ●	1	-	
11	07003-00113	O-KROUŽEK	3	3	44	07536-02201	TRUBICE	1	-	
12	07003-00121	O-KROUŽEK	3	3	45	07530-02202	TĚLO NÁŘADÍ	1	-	
13	07003-00142	LEPENÉ TĚSNĚNÍ 1/8" BSP	1	1	46	07530-02205	ZÁTKA TRUBICE	1	-	
14	07003-00167	O-KROUŽEK	1	1	47	07536-02207	VÁLEC KONCOVÝCH ČELISTÍ	1	-	
15	07003-00386	O-KROUŽEK	2	-	48	07530-02210	ŠTÍTEK	2	-	
16	07003-00236	TĚSNĚNÍ (DYNAMICKÉ)	1	1	49	07536-02212	SPIRÁLOVÁ TRUBICE PNEUMATICKÉHO JEZDCE 4 MM - ZELENÁ	1	-	
17	07003-00237	TĚSNĚNÍ (STATICKÉ)	1	-	50	07536-02213	ZADNÍ ZÁTKA	1	-	
18	07004-00058	CHROMOVANÁ PODLOŽKA STARLOCK 1/8"	1	-	51	07530-00310	ZASLEPOVACÍ ZÁTKA	2	-	
19	07004-00059	ČERNÁ PODLOŽKA STARLOCK 1/8"	1	-	52	07536-02214	DORAZ	1	-	
20	07005-10073	KONEKTOR 3 MM	1	-	53	07530-02220	SVORKA	1	-	
21	07005-01357	SPOJKA UPÍNACÍHO TYPU	1	-	54	07530-02301	BLOK SPÍNAČE	1	-	
22	07005-01571	PRAVOÚHLÁ SPOJKA	3	-	55	07530-02302	CÍVKA VZDUCHOVÝCH KONCOVÝCH ČELISTÍ	1	-	
23	07536-02216	POJISTNÁ MATICE	1	-	56	07530-02311	KRYT SPOUŠTĚČHO SPÍNAČE	1	-	
24	07005-10074	KONEKTOR 2 MM	1	-	57	07536-02601	SESTAVA PRAVÝCH KRYTŮ RUKOJETI	1	-	
25	07007-00017	PRACHOVKA	1	-	58	07536-02602	SESTAVA LEVÝCH KRYTŮ RUKOJETI	1	-	
26	07007-00300	TLAČÍTKO SPOUŠTĚČHO SPÍNAČE	1	-	59	07530-02603	KONCOVÁ KRYTKA	1	-	
27	73200-02022	BEZPEČNOSTNÍ ŠTÍTEK	1	-	60	07536-02800	SESTAVA PISTU KONCOVÝCH ČELISTÍ	1	-	
28	07007-01504	ŠTÍTEK CE	1	-	61	07536-02215	ADAPTÉR ŠROUBENÍ	1	-	
29	07008-00438	SESTAVA FLEXIBILNÍ HADICE	1	-	62	07003-00142	● LEPENÉ TĚSNĚNÍ (NENÍ ZOBRAZENO)	1	1	
30	07005-01323	ZÁVITOVÉ KOLENO M3	1	-	63	07003-00194	● LEPENÉ TĚSNĚNÍ (NENÍ ZOBRAZENO)	1	1	
31	07125-00215	PRUŽINA	1	-	64	07001-00442	● ŠROUB (NENÍ ZOBRAZEN)	1	1	
32	07151-00403	KONCOVÉ ČELISTI	1	2	65	07530-00501	● ZÁTKA (NENÍ ZOBRAZENA)	1	-	
33	07003-00016	O-KROUŽEK	1	-						

6.4 POKYNY PRO DEMONTÁŽ

- Při demontáži sestavy zesilovače nejdříve odpojte hadici s přívodem stlačeného vzduchu od vstupní spojky zesilovače **22**.
- Pomocí šestihranného klíče* vyšroubujte čtyři šrouby **27** a sejměte ochrannou desku **24**.
- Odpojte hadici spouštěcího spínače **47** od ventilu zesilovače **43** nebo **48** stisknutím vnější objímky a vytažením hadice.
- Sejměte krycí desku **4** a těsnění **35** po demontáži šroubů **37** a podložek **36** pomocí šestihranného klíče*.
- Ujistěte se, zda není těsnění poškozeno, aby mohlo zajistit správné utěsnění této sestavy.
- Obratě sestavu zesilovače a vypusťte olej ze zásobníku do vhodné nádoby.
- Pomocí vhodného klíče* sejměte rychlospojku **32** společně s konektorem **31** a těsněním **33**.
- Demontujte ventil zesilovače **43** nebo **48** po demontáži upevňovacích šroubů pomocí vhodného klíče a dávejte pozor, aby O-kroužek **21** zůstal v nálitku těla zesilovače.
- Vyšroubujte šroub **19** pomocí vhodného šestihranného klíče* a sejměte kryt tlumiče **16**, pěnový tlumič **15**, distanční vložku **18** a upevňovací desku **20**.
- Vytáhněte plastovou trubičku 6 mm **41** z podtlakových spojek **42**.
- Od základny zesilovače zasuněte šestihranný klíč 3 mm* přes dva otvory a vyšroubujte podtlakové spojky **42**. Poznámka:
 - Musíte dávat pozor, protože podtlakové spojky jsou zajištěny a utěsněny na určeném místě pomocí lepidla Loctite® 574.
 - Máte-li problémy s jejich demontáží, tyto podtlakové spojky mohou být odvrtnuty pomocí vrtáků s průměrem 4,7 mm nebo $\frac{3}{16}$ ".
- Při opětovné montáži těchto podtlakových spojek **42** musí být dodržen následující postup: –
 - Nechejte tyto podtlakové spojky nasáknout vhodným přípravkem, například Perma Bond A905.
 - Kápněte kapku přípravku Loctite® 574 do závitového otvoru zesilovače.
 - Od základny zesilovače protáhněte šestihranný klíč* tímto otvorem. Před zasunutím do podtlakové spojky se ujistěte, zda není použitý šestihranný klíč* znečištěn přípravkem Loctite® 574.
 - Otáčejte šestihranným klíčem během aplikace přípravku Loctite® 574 na základnu podtlakové spojky.
 - Zašroubujte podtlakovou spojku do zesilovače a zajistěte, aby na základně šroubení bylo takové množství přípravku Loctite® 574, aby nebyl vidět závit.
- Pomocí šroubováku opatrně odstraňte vnitřní pojistný kroužek **14**. Očistěte a zkontrolujte drážku a ujistěte se, zda není opotřebována nebo poškozena.
- Pomocí extraktoru* zasuněte konec s vnějším závitem do koncového krytu **12** a vytáhněte jej společně pouzdrem zesilovače **28** a O-kroužky **10** a **13**.
- Protáhněte tyč* otvorem spojky v přední části těla zesilovače a vyklepejte sestavu táhla pístu **9** a pístu.
- Pomocí vhodného šestihranného klíče* vyšroubujte dva šrouby **25** a sejměte koncovou krytku **12** z pouzdra zesilovače **28**.
- Pomocí klíče* sejměte utěšňovací zátku **7**.
- Protáhněte tyč* otvorem spojky v přední části těla zesilovače a vytlačte utěšňovací pouzdro **5** a příslušné O-kroužky a gufera.
- Pomocí vhodného klíče* sejměte z hlavního těla sestavy skříň ventilu **34**. Proveďte vyčištění vyfoukáním nízkotlakým stlačeným vzduchem.
- Vyjměte táhlo pístu **9** z pneumatického pístu zesilovače **11** upnutím prvních 20 mm (3/4") táhla do svěráku s měkkými čelistmi a dávejte pozor, abyste nepoškodili nebo nepoškrábali pracovní plochu.
- Vyšroubujte pojistnou matici **17** pomocí vhodného klíče*.
- Montáž provádějte v opačném pořadí jako demontáž a dodržujte následující:
- Očistěte všechny díly a vyměňte všechny O-kroužky.

* Týká se položek obsažených v servisní sadě 0753 MkII. Úplný seznam najdete na straně 94.
Čísla položek označená **tučně** odkazují na nákres a seznam dílů na další straně.

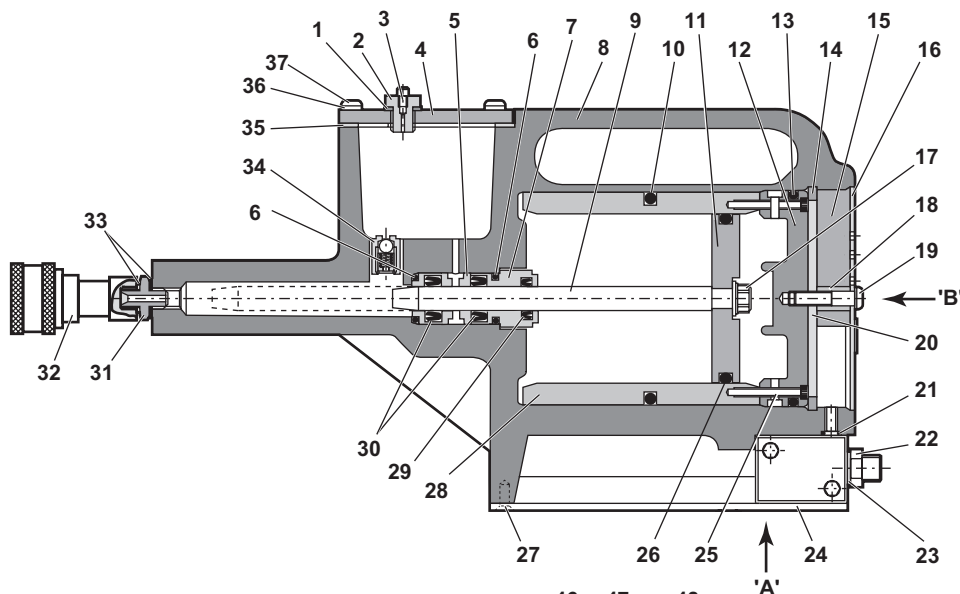
- Namažte všechna těsnění pomocí maziva Moly Lithium.
- Sestava skříň ventilu **34** musí být znovu upevněna pomocí lepidla na utěsnění závitů.
- Namontujte sestavu pístu pomocí nové matice **17**.
- Koncová krytka **12** musí být správně usazena uvnitř pojistného kroužku **14**. Nebude-li použita koncová krytka, toto nářadí nesmí být používáno.

DŮLEŽITÉ

Po demontáži nářadí a před jeho použitím je **VŽDY** nutné naplnění tohoto nářadí.

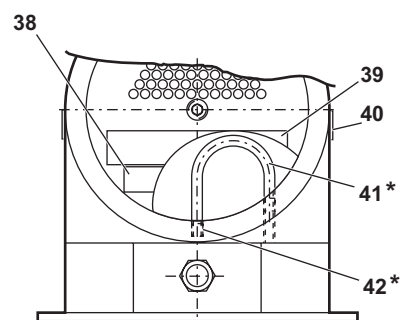
6.5 OCHRANA ŽIVOTNÍHO PROSTŘEDÍ

Zajistěte shodu s platnými předpisy, které se týkají likvidace. Zlikvidujte všechny odpady ve schváleném zařízení nebo místě pro likvidaci odpadu, aby nedošlo k ohrožení osob nebo životního prostředí.

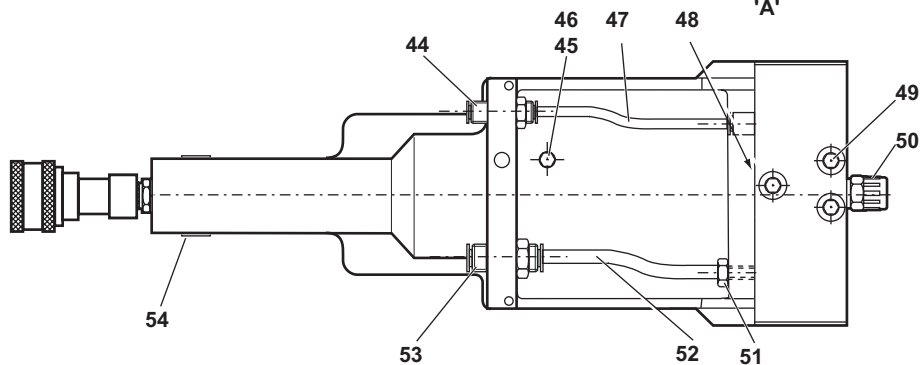
6.6 ZESILOVAČ 07531-02200

Note

* Some units will not include these items (The required link is achieved via internal porting).

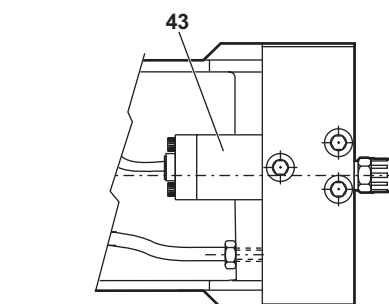


VIEW ON ARROW 'B'



VIEW ON ARROW 'A'

VIEW ILLUSTRATING FESTO VALVE



VIEW ILLUSTRATING COMPAIR VALVE

* Týká se položek obsažených v servisní sadě 0753 MkII. Úplný seznam najdete na straně 94. Čísla položek označená **tučně** odkazují na nákres a seznam dílů na další straně.

SEZNAM DÍLŮ 07531-02200											
POLOŽKA	ČÍSLO DÍLU	POPIS	POČET	NAHRADNÍ DÍLY	POLOŽKA	ČÍSLO DÍLU	POPIS	POČET	NAHRADNÍ DÍLY	POČET	NAHRADNÍ DÍLY
1	07003-00037	TĚSNĚNÍ	1	1	28	07531-00201	POUZDRO	1	1	1	-
2	07240-00211	PLNICÍ ŠROUB	1	-	29	07003-00337	GUFERO	1	1	1	1
3	07001-00418	ODVZDUŠŇOVACÍ ŠROUB	1	1	30	07003-00336	GUFERO	2	2	2	2
4	07240-00210	KRYCÍ DESKA	1	-	31	07005-00406	SPOJKA	1	1	1	-
5	71420-02006	TĚSNĚNÍ SKŘÍNĚ	1	-	32	07005-00759	RYCHLOUPINACÍ SPOJKA	1	1	1	-
6	07003-00153	O-KROUŽEK	2	-	33	07003-00142	TĚSNĚNÍ	2	2	2	1
7	71420-02007	UTĚŠŇOVACÍ ZÁTKA	1	-	34	07240-00400	SESTAVA POUZDRA VENTILU	1	1	1	-
8	71420-02300	SESTAVA TĚLA	1	-	35	07240-00209	TĚSNĚNÍ	1	1	1	1
9	71420-02008	TÁHLO PÍSTU	1	-	36	07002-00073	PODLOŽKA	4	4	4	1
10	07003-00182	O-KROUŽEK	1	1	37	07001-00554	ŠROUB	4	4	4	1
11	07531-00202	PNEUMATICKÝ PÍST	1	-	38	07007-01504	ŠTÍTEK	1	1	1	-
12	07531-00204	KONCOVÁ KRYTKA	1	-	39	07240-00217	ŠTÍTEK	1	1	1	-
13	07003-00183	O-KROUŽEK	1	1	40	07531-00205	ŠTÍTEK	2	2	2	-
14	07004-00069	POJISTNÝ KROUŽEK	1	1	41	07005-00596	* PLASTOVÁ TRUBIČKA 6 mm	-	-	-	-
15	07240-00213	PĚNOVÝ TLUMIČ	1	1	42	07245-00103	* PODTLAKOVÁ SPOJKA	2	2	2	-
16	07240-00214	KRYT TLUMIČE	1	-	43	07005-00590	VENTIL COMPAIR	1	1	1	1
17	07002-00017	MATICE	1	1	44	07005-01431	PŘEPÁŽKOVÁ SPOJKA	1	1	1	1
18	07240-00215	DISTANČNÍ PODLOŽKA	1	-	45	07005-00668	ZÁTKA M5	1	1	1	-
19	07001-00417	ŠROUB	1	1	46	07005-00670	TĚSNICÍ KROUŽEK M5	1	1	1	-
20	07240-00216	UPEVNŇOVACÍ DESKA	1	-	47	07005-01084	PLASTOVÁ TRUBIČKA 4 mm (150 mm)	-	-	-	-
21	*07003-00042	O-KROUŽEK	1	1	48	07005-01524	VENTIL FESTO	1	1	1	-
22	07005-00041	SPOJKA	1	-	49	07001-00176	ŠROUB	3	3	3	-
23	07003-00065	PODLOŽKA	1	-	50	07007-00292	ČERVENÁ KRYTKA 1/4" BSP	1	1	1	-
24	07240-00220	OCHRANNÁ DESKA	1	-	51	07005-00647	SPOJKA	1	1	1	-
25	07001-00375	ŠROUB	2	-	52	07005-01085	PLASTOVÁ TRUBIČKA 6 mm (150 mm)	-	-	-	-
26	07003-00238	O-KROUŽEK	1	1	53	07005-00855	PŘEPÁŽKOVÝ SPOJ	1	1	1	-
27	07001-00396	ŠROUB	4	-	54	73200-02022	BEZPEČNOSTNÍ ŠTÍTEK	1	1	1	-

7. NAPLNĚNÍ

Po demontáži tohoto nářadí a před jeho opětovným použitím je VŽDY nutné naplnění tohoto nářadí. Může být také nutné obnovení plného zdvihu po náročném použití, kdy může být zdvih omezen a kdy nedochází k řádnému umístění upínacích prvků jediným stisknutím spouště.

7.1 INFORMACE O OLEJI

Doporučený olej pro naplnění tohoto nářadí je Hyspin® VG 32 a AWS 32 dodávaný v balení po 0,5 l (katalogové číslo 07992--00002) nebo v kanystru o objemu 3,8 l (katalogové číslo 07992--00006). Přečtěte si prosím níže uvedené bezpečnostní údaje.

7.2 OLEJ HYSPIN® VG 32 A AWS 32 – BEZPEČNOSTNÍ ÚDAJE

První pomoc

POKOŽKA:

Co nejdříve proveďte kompletní omytí mýdlem a vodou. Občasný kontakt nevyžaduje okamžitou pozornost. Krátkodobý kontakt nevyžaduje okamžitou pozornost.

POŽITÍ:

Okamžitě vyhledejte lékařskou pomoc. NEVYVOLÁVEJTE zvracení.

ZRAK:

Ihned zahajte vyplachování vodou po dobu několika minut. I když NENÍ primárně dráždivou látkou, po kontaktu může dojít k malému podráždění.

Požár

Vhodné hasicí prostředky: CO₂, suchý prášek, pěna nebo vodní mlha. NEPOUŽÍVEJTE proud vody.

Ochrana životního prostředí

LIKVIDACE ODPADU: Přes autorizovaného prodejce na místě s příslušnou licencí. Může být spalován. Použitý výrobek může být odeslán k recyklaci.

ROZLITÍ: Zabraňte vniknutí do kanalizace, stok a vodních toků. Použijte absorpční materiál.

Manipulace

Používejte ochranu zraku, nepropustné rukavice (například z PVC) a plastovou zástěru. Používejte na dobře větraných místech.

Uložení

Nejsou vyžadována žádná speciální opatření.

7.3 POSTUP PLNĚNÍ

DŮLEŽITÉ

NEPOUŽÍVEJTE SPOUŠTĚCÍ SPÍNAČ, JE-LI ODSTRANĚN ODVZDUŠŇOVACÍ ŠROUB
Všechny činnosti musí být prováděny na čistém pracovním stole, musíte mít čisté ruce a musíte pracovat v čistém prostředí.

Ujistěte se, zda je nový olej dokonale čistý a zda neobsahuje vzduchové bubliny.
Údržba MUSÍ být vždy prováděna tak, aby se zajistilo, že se do nářadí nedostanou žádné cizí materiály a že nedojde k vážnému poškození.

- Demontujte šroub **2** a těsnění **1** z plastové krycí desky **4** na nádržce zesilovače.
- Nalijte olej do nádržky, dokud nebude jeho hladina asi 12 mm (1/2") od horního okraje.
- Zašroubujte zpět plnicí šroub **2** a těsnění **1**.
- Připojte zesilovač k přívodu vzduchu. Demontujte šroub z nádržky.
- S pistolí napojenou na jednotku zesilovače a drženou pod úroveň jednotky zesilovače, vyšroubujte odvzdušňovací šroub **64** ze sestavy odvzdušňovací zátky **43** na typu nářadí 07536 o dvě otáčky a nechejte olej vytéct z nářadí.
- Jakmile bude olej volně vytékat a nebude obsahovat vzduchové bubliny, utáhněte odvzdušňovací šroub.
- Doplněte olej do nádržky na zesilovači.
- Cyklicky nářadí aktivujte, dokud všechny vzduchové bubliny v oleji nevypudíte do olejové nádržky.

Čísla položek označená **tučně** odkazují na základní sestavu a na seznam dílů na stranách 98–101.

8. DIAGNOSTIKA ZÁVAD

PŘÍZNAK	MOŽNÁ PŘÍČINA	NÁPRAVA	VIZ STRANA
Nářadí neumísťuje upevňovací prvky	Nízký tlak vzduchu.	Zvyšte tlak vzduchu	
	Nedostatek maziva.	Namažte nářadí v bodě vstupu vzduchu	
	Velká pracovní zátěž.	Zkontrolujte úchyt upevňovacího prvku a velikost použitého otvoru	
	Zkontrolujte správnou velikost trnu.		
	Vypnuté koncové čelisti.	Zapněte koncové čelisti	
	Vzduch v hydraulickém systému.	Viz část „Postup plnění“	103
„Prokluzování trnu“ – čelisti nesevřou trn	Opotřebované nebo znečištěné koncové čelisti.	Proveďte nezbytné očištění nebo výměnu	
	‘Nedostatečný tlak/objem vzduchu.	Zvyšte tlak/objem vzduchu	
	‘Nefunkční spínač koncových čelistí.	Vyměňte spínač	
	‘Úniky vzduchu u koncových čelistí.	Vyměňte O-kroužky na pístu 11 za nové	
	Prasklý trn nedosahuje ke koncovým čelistem.	Vyměňte trn	
	Závada v pneumatickém ovládacím boxu.	Kontaktujte autorizovaný servis Stanley Engineered Fastening	
Čelisti neuvolní trn	Znečištěné koncové čelisti nebo kryt čelistí.	Proveďte očištění a namazání	
	Nefunkční spínač koncových čelistí.	Vyměňte O-kroužky	
	Zachycený vzduch v systému	Zkontrolujte vedení stlačeného vzduchu	
	Závada v pneumatickém ovládacím boxu	Kontaktujte autorizovaný servis Stanley Engineered Fastening	
Upínací prvky neprocházejí přes čelisti přední části	Koncové čelisti nejsou zapnuty.	Zapněte koncové čelisti	
	Opotřebované koncové čelisti.	Použijte nové koncové čelisti	
	Nesprávná orientace jezdce.	Proveďte nové upevnění a zkontrolujte orientaci	
	Nesprávný jezdec	Použijte správný typ jezdce	
	Nesprávné čelisti přední části.	Použijte správné čelisti přední části	
	Není použita vodící pružina trnu.	Použijte správnou vodící pružinu trnu	
	Nesprávná délka vodící pružiny trnu	Použijte správnou vodící pružinu trnu	
	Nesprávná vůle mezi hlavou upínacího prvku a předními čelistmi při plnění.	Nastavte vůli na hodnotu 1,5–3 mm (1/16" až 1/8") Viz část „Plnění nářadí“	91–92
	Zasekávání jezdce.	Očistěte a namažte jezdec	
	Opotřebovaný pneumatický jezdec	Vyměňte jezdec	
	Nesprávně nasazená vodící pružina trnu.	Použijte správnou vodící pružinu trnu	
Opotřebovaná nebo prasklá vratná pružina trubice	Vyměňte vratnou pružinu trubice		
Nadměrné opotřebování koncových čelistí	Velká pracovní zátěž.	Zkontrolujte velikost použitého otvoru a tloušťku a schopnost sevření upevňovacího prvku	
Pohyb více než jednoho upevňovacího prvku najednou	Prokluzování trnu.	Proveďte kontrolu podle části „Prokluzování trnu“, krok 2	
	Nesprávná vůle mezi hlavou upevňovacího prvku a předními čelistmi při plnění	Nastavte vůli na hodnotu 1,5–3 mm (1/16" až 1/8") Viz část „Plnění nářadí“	91–92

Další příznaky nebo poruchy musí být oznámeny nejbližšímu autorizovanému prodejci nebo autorizovanému servisu Stanley Engineered Fastening.

POZNÁMKY

9. PROHLÁŠENÍ O SHODĚ

My, společnost **Stanley Engineered Fastening, Stanley House, Works Road, Letchworth Garden City, Hertfordshire, SG6 1JY UNITED KINGDOM**, prohlašujeme na svou výhradní odpovědnost, že tento výrobek:

Popis: **Hydropneumatické nářadí na opakované rychlostní nýtování**

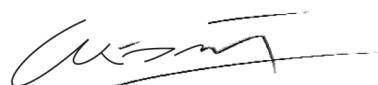
Model: **07536**

které se toto prohlášení týká, splňuje požadavky následujících harmonizovaných norem:

ISO 12100: 2010	EN ISO 3744: 2010
EN ISO 11202: 2010	EN ISO 11148-1: 2011
EN ISO 4413: 2010	BS EN 28662-1: 1993
EN ISO 4414: 2010	EN ISO 20643: 2008 + A1: 2012
EN ISO 28927-5: 2009 + A1: 2015	ES100118 – rev. 17: 2017

Technická dokumentace je vytvořena v souladu s požadavky Přílohy VII, v souladu s následující směrnici: **2006/42/EC Směrnice pro strojní zařízení** (Zákonné nařízení 2008 č. 1597 – Předpisy týkající se napájení strojních zařízení (Bezpečnost)).

Níže podepsaná osoba činí toto prohlášení jménem společnosti STANLEY Engineered Fastening



A. K. Seewraj

Ředitel technického oddělení, VELKÁ BRITÁNIE

Avdel UK Limited, Stanley House, Works Road, Letchworth Garden City, Hertfordshire, SG6 1JY UNITED KINGDOM

Místo podpisu: **Letchworth Garden City, VELKÁ BRITÁNIE**

Datum podpisu: **1. 1. 2021**

Níže podepsaná osoba je odpovědná za sestavení souboru technické dokumentace pro výrobky prodávané v Evropské unii a činí toto prohlášení jménem společnosti Stanley Engineered Fastening.

Matthias Appel

Vedoucí týmu Technická dokumentace

Stanley Engineered Fastening, Tucker GmbH, Max-Eyth-Str.1, 35394 Gießen, Německo



**Toto strojní zařízení splňuje následující požadavky
Směrnice pro strojní zařízení 2006/42/EC**

10. PROHLÁŠENÍ O SHODĚ

My, společnost **Stanley Engineered Fastening, Stanley House, Works Road, Letchworth Garden City, Hertfordshire, SG6 1JY UNITED KINGDOM**, prohlašujeme na svou výhradní odpovědnost, že tento výrobek:

Popis: **Hydropneumatické nářadí na opakované rychlostní nýtování**

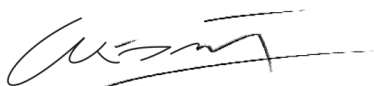
Model: **07536**

které se toto prohlášení týká, splňuje požadavky následujících specifických norem:

ISO 12100: 2010	EN ISO 3744: 2010
EN ISO 11202: 2010	EN ISO 11148-1: 2011
EN ISO 4413: 2010	BS EN 28662-1: 1993
EN ISO 4414: 2010	EN ISO 20643: 2008 + A1: 2012
EN ISO 28927-5: 2009 + A1: 2015	ES100118 – rev. 17: 2017

Technická dokumentace je sestavována v souladu s předpisy o dodávkách strojních zařízení (Bezpečnost) z roku 2008, S.I. 2008/1597 (ve znění pozdějších předpisů).

Níže podepsaná osoba činí toto prohlášení jménem společnosti STANLEY Engineered Fastening



A. K. Seewraj

Ředitel technického oddělení, VELKÁ BRITÁNIE

Avdel UK Limited, Stanley House, Works Road, Letchworth Garden City, Hertfordshire,
SG6 1JY UNITED KINGDOM

Místo podpisu: **Letchworth Garden City, VELKÁ BRITÁNIE**

Datum podpisu: **1. 1. 2021**



Toto strojní zařízení splňuje následující požadavky
Předpisy o dodávkách strojních zařízení (bezpečnost) z roku
2008,
S.I. 2008/1597 (ve znění pozdějších předpisů)

11. CHRAŇTE SVOU INVESTICI!

ZÁRUKA NA NÝTOVACÍ NÁŘADÍ Stanley® Engineered Fastening

Společnost STANLEY® Engineered Fastening zaručuje, že každé její nářadí bylo pečlivě vyrobeno a že při normálním použití a při provádění běžné údržby se během jednoho (1) roku na tomto nářadí neobjeví závady způsobené vadou materiálu nebo špatným dílenským zpracováním.

Tato záruka se vztahuje na prvního kupujícího, který toto nářadí bude používat pouze pro určené účely.

Nevztahuje se na:

Běžné opotřebování.

Tato záruka se nevztahuje na pravidelnou údržbu, opravy a náhradní díly vyměňované v důsledku běžného opotřebování.

Špatné a nesprávné použití.

Tato záruka se nevztahuje na závady a poškození, která jsou výsledkem nesprávné obsluhy, nesprávného uložení, špatného a nesprávného použití, nehody nebo zanedbání údržby.

Neautorizovaný servis nebo neschválené úpravy.

Tato záruka se nevztahuje na závady nebo poškození vyplývající z provozu, zkušební nastavení, instalace, údržby, úprav nebo změn, které jsou prováděny mimo servis STANLEY® Engineered Fastening, nebo mimo autorizované servisy této společnosti.

Všechny ostatní záruky, ať už vyjádřené nebo předpokládané, včetně záruk obchodovatelnosti a vhodnosti pro daný účel, jsou tímto vyloučeny.

Nebude-li toto nářadí splňovat požadavky záruky, vraťte toto nářadí neprodleně do našeho nejbližšího autorizovaného servisu. Seznam autorizovaných servisů společnosti STANLEY® Engineered Fastening na území USA nebo Kanady získáte na následujícím bezplatném telefonním čísle (877) 364 2781.

Mimo území USA a Kanady navštivte naše internetové stránky www.StanleyEngineeredFastening.com, abyste mohli najít nejbližší autorizovaný servis STANLEY Engineered Fastening.

Společnost STANLEY Engineered Fastening potom provede bezplatnou výměnu jakékoli části nebo částí, u kterých byly zjištěny závady v důsledku vady materiálu nebo špatného dílenského zpracování. Nářadí bude odesláno zpět na náklady zákazníka. To představuje naši jedinou povinnost vyplývající z této záruky.

Společnost STANLEY Engineered Fastening v žádném případě neponese žádnou odpovědnost za jakékoli následné nebo speciální škody vyplývající z nákupu nebo používání tohoto nářadí.

Zaregistrujte vaši nýtovačku na trhací nýty online.

Chcete-li provést registraci online, navštivte stránky na adrese

<https://www.stanleyengineeredfastening.com/support/warranty-registration-form>

Děkujeme vám za zakoupení našeho nářadí pod značkou STANLEY® Engineered Fastening.

©2021 Stanley Black & Decker inc.
Toate drepturile rezervate.

Informațiile furnizate nu pot fi reproduse și/sau făcute public în niciun fel și prin niciun mijloc (electronic sau mecanic) fără permisiunea scrisă și explicită din partea STANLEY Engineered Fastening. Informațiile furnizate se bazează pe datele cunoscute la momentul lansării produsului. STANLEY Engineered Fastening are o politică de îmbunătățire permanentă a produsului, prin urmare produsele pot suferi modificări. Informațiile furnizate sunt valabile pentru produs în starea în care este livrat de către STANLEY Engineered Fastening. Astfel, STANLEY Engineered Fastening nu poate fi considerat responsabil pentru orice pagube care intervin în urma nerespectării specificațiilor originale ale produsului.

Informațiile disponibile au fost redactate cu cea mai mare atenție. Totuși, STANLEY Engineered Fastening nu va accepta nicio responsabilitate cu privire la informațiile inexacte sau pentru consecințele care decurg din acestea. STANLEY Engineered Fastening nu va accepta nicio responsabilitate pentru daune produse ca urmare a unor operațiuni efectuate de către terți. Denumirile profesionale, denumirile comerciale, mărcile înregistrate etc. folosite de către STANLEY Engineered Fastening nu trebuie considerate ca fiind libere, în conformitate cu legislația de protecție a mărcilor comerciale.

1. INSTRUCȚIUNI PRIVIND SIGURANȚA.....	110
1.1 REGULI GENERALE DE SIGURANȚĂ	110
1.2 PERICOLE PRIVIND ELEMENTELE PROIECTATE.....	110
1.3 PERICOLE LA UTILIZARE.....	111
1.4 PERICOLE PRIVIND MIȘCĂRILE REPETITIVE	111
1.5 PERICOLE PRIVIND ACCESORIILE	111
1.6 PERICOLE LA LOCUL DE MUNCĂ	111
1.7 PERICOLE PRIVIND ZGOMOTUL	111
1.8 PERICOLE PRIVIND VIBRAȚIILE	112
1.9 INSTRUCȚIUNI SUPLIMENTARE DE SIGURANȚĂ PENTRU UNELTELE PNEUMATICE ȘI HIDRAULICE	112
2. SPECIFICAȚII	113
2.1 SPECIFICAȚII PENTRU UNEALTA 07536.....	113
2.2 SPECIFICAȚII PENTRU INTENSIFICATORUL 07531	113
3. DOMENIUL DE UTILIZARE	114
3.1 DIMENSIUNI SCULĂ - MODEL 07536.....	114
4. PUNEREA ÎN FUNCȚIUNE.....	115
4.1 ALIMENTAREA CU AER COMPRIMAT	115
4.2 CURSOARE AER.....	116
4.3 ÎNCĂRCAREA ȘI REÎNCĂRCAREA UNELTEI	116
4.4 PROCEDURA DE OPERARE	118
5. ÎNTREȚINEREA UNELTEI.....	119
5.1 CASETĂ DE COMANDĂ PNEUMATICĂ.....	119
5.2 ZILNIC.....	119
5.3 SĂPTĂMĂNAL	119
5.4 MOLY LITHIUM GREASE EP 3753 INFORMAȚII DE SIGURANȚĂ.....	119
5.5 KIT DE SERVICE.....	120
5.6 UNEALTĂ CURSOR DE AER, INTENSIFICATOR ȘI ANSAMBLU CASETĂ DE COMANDĂ 07536-02100.....	121
6. ÎNTREȚINEREA.....	122
6.1 DEMONTAREA 07536-02200	122
6.2 ANSAMBLUL GENERAL AL UNELTEI DE BAZĂ 07536-02200.....	124
6.3 LISTA DE PIESE PENTRU UNEALTA DE BAZĂ 07536-02200.....	125
6.4 INSTRUCȚIUNI DE DEMONTARE.....	126
6.5 PROTECȚIA MEDIULUI	127
6.6 INTENSIFICATOR 07531-02200.....	127
7. AMORSARE.....	129
7.1 DETALII PENTRU ULEI.....	129
7.2 DATE DE SIGURANȚĂ ULEI HYPIN® VG32 ȘI AWS 32	129
7.3 PROCEDURA DE AMORSARE	129
8. DIAGNOZA ERORILOR.....	130
9. DECLARAȚIE DE CONFORMITATE CE.....	132
10. DECLARAȚIE DE CONFORMITATE UK	133
11. PROTEJAȚI-VĂ INVESTIȚIA!	134



Acest manual de instrucțiuni trebuie citit de orice persoană care assemblează sau utilizează dispozitivul, acordând o atenție deosebită regulilor de siguranță prezentate mai jos.



La utilizarea uneltei, purtați întotdeauna echipament de protecție pentru ochi rezistent la impact. Gradul de protecție necesar trebuie evaluat pentru fiecare utilizare.



Utilizați dispozitive de protecție auditivă în conformitate cu instrucțiunile angajatorului și conform cerințelor reglementărilor privind sănătatea și securitatea în muncă.



Utilizarea uneltei poate prezenta pericol de strivire, lovire, tăiere, zgâriere și arsuri ale mâinilor operatorului. Purtați mănuși de protecție adecvate.

1. INSTRUCȚIUNI PRIVIND SIGURANȚA

Definițiile de mai jos descriu nivelul de severitate al fiecărui termen de semnalizare. Vă rugăm să citiți manualul și să fiți atenți la aceste simboluri.

⚠ PERICOL: Indică o situație iminentă de pericol care, dacă nu este evitată, va conduce la vătămarea gravă sau chiar la deces.

⚠ AVERTIZARE: Indică o situație potențial periculoasă care, dacă nu este evitată, ar putea determina decesul sau vătămarea gravă.

⚠ ATENȚIE: Indică o situație potențial periculoasă care, dacă nu este evitată, poate determina vătămări minore sau medii.

⚠ ATENȚIE: Utilizat fără simbolul alarmei de siguranță, indică o situație potențial periculoasă care, dacă nu este evitată, poate cauza deteriorarea bunurilor.

Utilizarea sau întreținerea necorespunzătoare a acestui produs poate conduce la vătămări serioase și deteriorarea bunurilor. Citiți și înțelegeți toate avertismentele și instrucțiunile de utilizare înainte de a utiliza acest echipament. La folosirea uneltelor electrice, respectați întotdeauna măsurile elementare de siguranță, pentru a reduce pericolul de rănire.

SALVAȚI TOATE AVERTIZĂRILE ȘI INSTRUCȚIUNILE PENTRU REFERINȚE VIITOARE

1.1 REGULI GENERALE DE SIGURANȚĂ

- Pentru a preveni diverse pericole, citiți și înțelegeți instrucțiunile de siguranță înainte de instalarea, operarea, repararea, întreținerea, schimbarea accesoriilor sau lucrul în apropierea uneltei. Nerespectarea acestor măsuri poate provoca leziuni grave.
- Doar operatorii calificați și instruiți trebuie să instaleze, să regleze sau să utilizeze unealta.
- A NU se utiliza în alte scopuri decât cele pentru a care a fost conceput, și anume fixarea niturilor oarbe de la STANLEY Engineered Fastening.
- Utilizați numai piese, organe de asamblare și accesorii recomandate de producător.
- NU modificați unealta. Modificările pot afecta eficiența sau măsurile de siguranță și pot crește pericolele pentru operator. Orice modificare făcută asupra uneltei este asumată de client și acesta va purta întreaga responsabilitate pentru aceasta, inclusiv pierderea garanției aplicabile.
- Nu aruncați instrucțiunile de siguranță; oferiți-le operatorului.
- NU utilizați unealta în cazul în care a fost deteriorată.
- Înainte de utilizare, verificați dacă există abateri sau îndoiri ale pieselor mobile, piese rupte sau alte condiții care pot afecta funcționarea uneltei. În caz de deteriorare, reparați unealta înainte de utilizare. Îndepărtați orice dispozitiv sau cheie de reglare înainte de utilizare.
- Unelte trebuie inspectate periodic pentru a verifica dacă caracteristicile nominale și marcasele solicitate de această parte a ISO 11148 sunt marcate lizibil. Angajatorul/utilizatorul va contacta producătorul pentru a obține etichete de marcare pentru înlocuire, atunci când este necesar.
- Dispozitivul trebuie păstrat întotdeauna într-o stare bună de funcționare și verificată la intervale regulate de o persoană instruită pentru a se descoperi dacă nu este deteriorată și dacă funcționează corect. Orice procedură de demontare va fi efectuată numai de către personal instruit. Înainte de demontare, citiți instrucțiunile de întreținere.

1.2 PERICOLE PRIVIND ELEMENTELE PROIECTATE

- Deconectați unealta de la alimentarea cu aer înainte de a efectua orice activitate de întreținere, reglare, montare sau demontare a ansamblului capului sau a accesoriilor.
- Fiți conștienți că defectarea piesei sau a accesoriilor sau chiar a uneltei introdusă poate genera proiectile de mare viteză.
- Purtați întotdeauna protecție pentru ochi rezistentă la impact, în timpul utilizării uneltei. Gradul de protecție necesar trebuie evaluat pentru fiecare utilizare.
- Riscurile pentru alții ar trebui, de asemenea, evaluate în acest moment.

- Asigurați-vă că piesa este bine fixată.
- Verificați dacă mijloacele de protecție împotriva proiecției organului de asamblare și/sau a tijei de nit sunt în poziție și sunt funcționale.
- Avertizați persoanele din jur cu privire la posibilele proiectări forțate a tijelor de nit din fața instrumentului.
- NU utilizați un dispozitiv care este îndreptat spre o altă/alte persoană(e).

1.3 PERICOLE LA UTILIZARE

- Utilizarea uneltei poate expune mâinile operatorului la pericole, inclusiv zdrobirea, lovirea, tăierile și căldura. Purtați mănuși de protecție adecvate.
- Operatorii și personalul de întreținere trebuie să poată face față volumului, greutateii și puterii uneltei.
- Țineți unealta în mod corect; fiți gata să contracarați mișcările normale sau bruște și să aveți ambele mâini disponibile.
- Țineți mânerul dispozitivului uscate, curate și lipsite de ulei și unsoare.
- Mențineți o poziție echilibrată a corpului și asigurați-vă o bună poziție a picioarelor atunci când folosiți unealta.
- Eliberați dispozitivul de pornire-oprire în cazul întreruperii alimentării hidraulice.
- Folosiți numai lubrifianți recomandați de producător.
- Trebuie evitat contactul cu lichid hidraulic. Pentru a reduce la minimum posibilitatea de iritații ale pielii, spălați-vă bine în caz de contact.
- La cerere, fișele de date privind siguranța materialului pentru toate uleiurile hidraulice și lubrifianți sunt disponibile la furnizorul dvs.
- Evitați pozițiile necorespunzătoare, deoarece este posibil ca aceste poziții să nu permită contracararea mișcării normale sau neașteptate a uneltei.
- Dacă unealta este fixată pe un dispozitiv de suspendare, asigurați-vă că fixarea este sigură.
- Aveți grijă la riscul de zdrobire sau prindere dacă echipamentul capului nu este montat.
- NU utilizați dispozitivul dacă carcasa vârfului nu este pe poziție.
- Înainte de a începe lucrul, utilizatorii uneltei trebuie să aibă mâinile libere.
- Atunci când transportați unealta dintr-un loc în altul, țineți mâinile la distanță de întrerupătorul de declanșare pentru a evita activarea accidentală a acestuia.
- NU forțați unealta trântind-o sau utilizând-o ca ciocan.
- Trebuie avut grijă pentru a că asigura că tijele ejectate nu reprezintă un pericol.

1.4 PERICOLE PRIVIND MIȘCĂRILE REPETITIVE

- Când folosește unealta, operatorul poate întâmpina disconfort la mâini, brațe, umeri, gât sau alte părți ale corpului.
- În timpul utilizării uneltei, operatorul ar trebui să adopte o postură confortabilă, menținând în același timp o poziție sigură și evitând pozițiile incomode sau fără echilibru. Operatorul trebuie să își schimbe postura în timpul activităților de durată, pentru a evita disconfortul și oboseala.
- Dacă operatorul prezintă simptome precum disconfort persistent sau recurent, durere, palpitații, dureri, furnicături, amorțeală, senzații de arsură sau rigiditate, aceste semne de avertizare nu trebuie ignorate. Operatorul trebuie să anunțe angajatorul și să consulte un medic.

1.5 PERICOLE PRIVIND ACCESORIILE

- Deconectați unealta de la sursa de alimentare cu aer înainte de a monta sau scoate ansamblul capului sau accesoriul.
- Folosiți numai accesorii și consumabile de dimensiuni și tipuri recomandate de producătorul uneltei; nu folosiți alte tipuri sau dimensiuni de accesorii sau consumabile.

1.6 PERICOLE LA LOCUL DE MUNCĂ

- Alunecările, împiedicările și căderile sunt cauzele majore ale accidentelor la locul de muncă. Atenție la suprafețele alunecoase produse de utilizarea uneltei și la pericolele de împiedicare cauzate de furtunul de aer sau furtunul hidraulic.
- Procedați cu grijă în medii necunoscute. Pot exista pericole ascunse, cum ar fi electricitate sau alte circuite de utilități.
- Unealta nu este destinată utilizării în atmosfere potențial explozive și nu este izolată împotriva contactului cu energia electrică.
- Asigurați-vă că nu există cabluri electrice, conducte de gaz etc., care pot reprezenta un pericol dacă sunt deteriorate prin utilizarea uneltei.
- Îmbrăcați-vă corespunzător. Nu purtați îmbrăcăminte largă sau bijuterii. Păstrați-vă părul, îmbrăcămintea și mănușile la distanță față de componentele în mișcare. Hainele largi, bijuteriile sau părul lung pot fi prinse de piesele mobile.
- Trebuie avut grijă pentru a că asigura că tijele ejectate nu reprezintă un pericol.

1.7 PERICOLE PRIVIND ZGOMOTUL

- Expunerea la niveluri ridicate de zgomot poate provoca pierderea permanentă a auzului și alte probleme, cum ar fi tinitus (șuierat, fluierat sau zumzet în urechi). De aceea sunt esențiale evaluarea riscurilor și implementarea unor măsuri adecvate de control pentru aceste pericole.
- Controalele corespunzătoare pentru a reduce acest risc pot include acțiuni precum amortizarea materialelor pentru a preveni zgomotul pieselor.

- Utilizați protecția auditivă în conformitate cu instrucțiunile angajatorului și conform cerințelor reglementărilor de securitate și sănătate a muncii.
- Utilizați și întrețineți unealta conform recomandărilor din manualul de instrucțiuni, pentru a preveni o creștere inutilă a nivelului de zgomot.

1.8 PERICOLE PRIVIND VIBRAȚIILE

- Expunerea la vibrații poate provoca afectarea nervilor și vasele de sânge de la mâini și brațe.
- Purtați haine calde atunci când lucrați în condiții reci și mențineți-vă mâinile calde și uscate.
- Dacă simțiți amorțeală, furnicături, durere sau albire a pielii din degete sau mâini, încetați utilizarea uneltei, spuneți angajatorului și consultați un medic.
- Acolo unde este posibil, sprijiniți greutatea sculei într-un suport, întinzător sau echilibrator, deoarece o prindere mai ușoară poate fi folosită pentru a sprijini unealta.

1.9 INSTRUCȚIUNI SUPLIMENTARE DE SIGURANȚĂ PENTRU UNELTELE PNEUMATICE ȘI HIDRAULICE

- Presiunea de funcționare a sursei de aer nu trebuie să depășească 7 bar (100 PSI).
- Aerul sub presiune poate provoca vătămări grave.
- Nu lăsați niciodată unealta nesupravegheată. Deconectați furtunul de aer când unealta nu este utilizată, înainte de a schimba accesoriile sau la efectuarea de reparații.
- NU lăsați orificiul de evacuare a aerului din partea din față a colectorului de tije orientat în direcția operatorului sau a altor persoane. Nu îndreptați aerul spre dv. sau spre alte persoane.
- Un furtun scăpat de sub control poate provoca răni grave. Verificați întotdeauna furtunurile și îmbinările deteriorate sau slăbite.
- Înainte de utilizare, verificați ca furtunurile pentru aer să nu fie deteriorate și că toate îmbinările sunt bine efectuate. Nu lăsați să cadă obiecte grele peste furtunuri. Un impact puternic poate provoca o deteriorare internă și poate conduce la defectarea prematură a furtunului.]
- Nu îndreptați aerul rece spre mâini.
- La utilizarea racordurilor cu filet (cu gheare), se vor monta știfturi de blocare și se vor folosi cabluri de siguranță pentru protecția împotriva eventualelor desprinderi ale racordurilor furtunului la unealtă sau ale furtunurilor între ele.
- NU ridicați unealta de furtun. Utilizați întotdeauna mânerul uneltei.
- Orificiile de ventilare nu trebuie să fie blocate sau acoperite.
- Nu lăsați mizeria sau corpurile străine să pătrundă în sistemul hidraulic deoarece acestea vor cauza funcționarea defectuoasă a uneltei.
- Uleiul sub presiune poate provoca vătămări grave.
- Înainte de utilizare, inspectați furtunurile hidraulice pentru a vedea dacă sunt deteriorate. Toate conexiunile hidraulice trebuie să fie curate, complet cuplate și strânse înainte de operare. Nu lăsați să cadă obiecte grele peste furtunuri. Un impact puternic poate provoca o deteriorare internă și poate conduce la defectarea prematură a furtunului.
- NU trageți sau deplasați unitatea de intensificare cu ajutorul furtunurilor. Folosiți întotdeauna mânerul unității.
- Utilizați numai ulei curat și echipamente de umplere.
- Se pot utiliza numai fluide hidraulice recomandate.
- Temperatura maximă a fluidului hidraulic la intrare este de 100°C (212°F).

⚠ AVERTIZARE: În timp ce o uzură nesemnificativă va rezulta printr-o utilizare normală și corectă a tijelor de nit, acestea trebuie examinate în mod regulat pentru semne de uzură excesivă, cu o atenție deosebită asupra diametrului capului, a zonei de prindere a fălcii de prindere a cozii sau orice deformare a tije de nit. Tijele de nit care se strică în timpul utilizării ar putea fi proiectate cu putere din unealtă. Este responsabilitatea clientului să se asigure că tijele de nit sunt înlocuite înainte de orice deformare sau uzură excesivă și întotdeauna înainte de numărul maxim recomandat de acționări. Luați legătura cu STANLEY Engineered Fastening, care vă va informa care este valoarea respectivă, măsurând sarcina brută a aplicării cu un instrument de măsurare calibrat.

Politica STANLEY Engineered Fastening este una de dezvoltare și îmbunătățire continuă a produsului și ne rezervăm dreptul de a modifica specificația oricărui produs fără o notificare prealabilă.

2. SPECIFICAȚII

2.1 SPECIFICAȚII PENTRU UNEALTA 07536

Presiunea aerului	Minim - maxim	5-7 bari (70-100 lbf/in ²)
Volum de aer liber necesar	@ 5,1 bari /75 lbf/in ²	2,6 litri (0,09 ft ³)
Cursă	Minim	25 mm (1 in)
Forță de tragere	@ 5,5 bari /80 lbf/in ²	3,89 kN (875 lbf)
Durata ciclului	Aproximativ	1 secundă
Masă	Pistol	1,2 kg (2,64 lb)

2.2 SPECIFICAȚII PENTRU INTENSIFICATORUL 07531

Presiunea aerului	Minim - maxim	5-7 bari (70-100 lbf/in ²)
Raport de intensificare		32:1

Valorile zgomotului determinate conform codului de testare a zgomotului ISO 15744 și ISO 3744.		07536
Nivel de putere sonor cu pondere A dB (A), L _{WA}	Zgomot nedeterminat: k _{WA} = 2.3 dB(A)	79.5 dB(A)
Nivelul presiunii sonore cu emisie cu pondere A la stația de lucru dB (A), L _{pA}	Zgomot nedeterminat: k _{pA} = 2.3 dB(A)	68.5 dB(A)
Nivelul presiunii sonore cu emisie maximă cu pondere C dB(C), L _{pC} , vârf	Zgomot nedeterminat: k _{pC} = 2.5 dB(C)	96.9 dB(C)
Valorile vibrațiilor determinate conform codului de testare a vibrațiilor ISO 20643 și ISO 5349.		07536
Nivelul emisiilor de vibrații, a _{hd}	Vibrație nedeterminată: k = 0.25 m/s ²	0.97 m/s ²
Valorile declarate ale emisiilor de vibrații în conformitate cu EN 12096		

3. DOMENIUL DE UTILIZARE

Unealta pneumatică 07536 este o unealtă portabilă și ușoară, proiectată pentru a acționa Avlug® de 1/16", ceea ce o face ideală pentru asamblarea pe loturi sau în linie într-o mare diversitate de aplicații din toate industriile.

Unealta și intensificatorul au fost testate ca elemente separate și combinate. Acestea trebuie să fie utilizate numai împreună și în niciun alt scop. Consultați „Punerea în funcțiune” la pagina 115-118 pentru detalii cu privire la conectare.

Numerele de piesă sunt afișate pentru a comanda o unealtă completă, dar fără echipament de vârf.

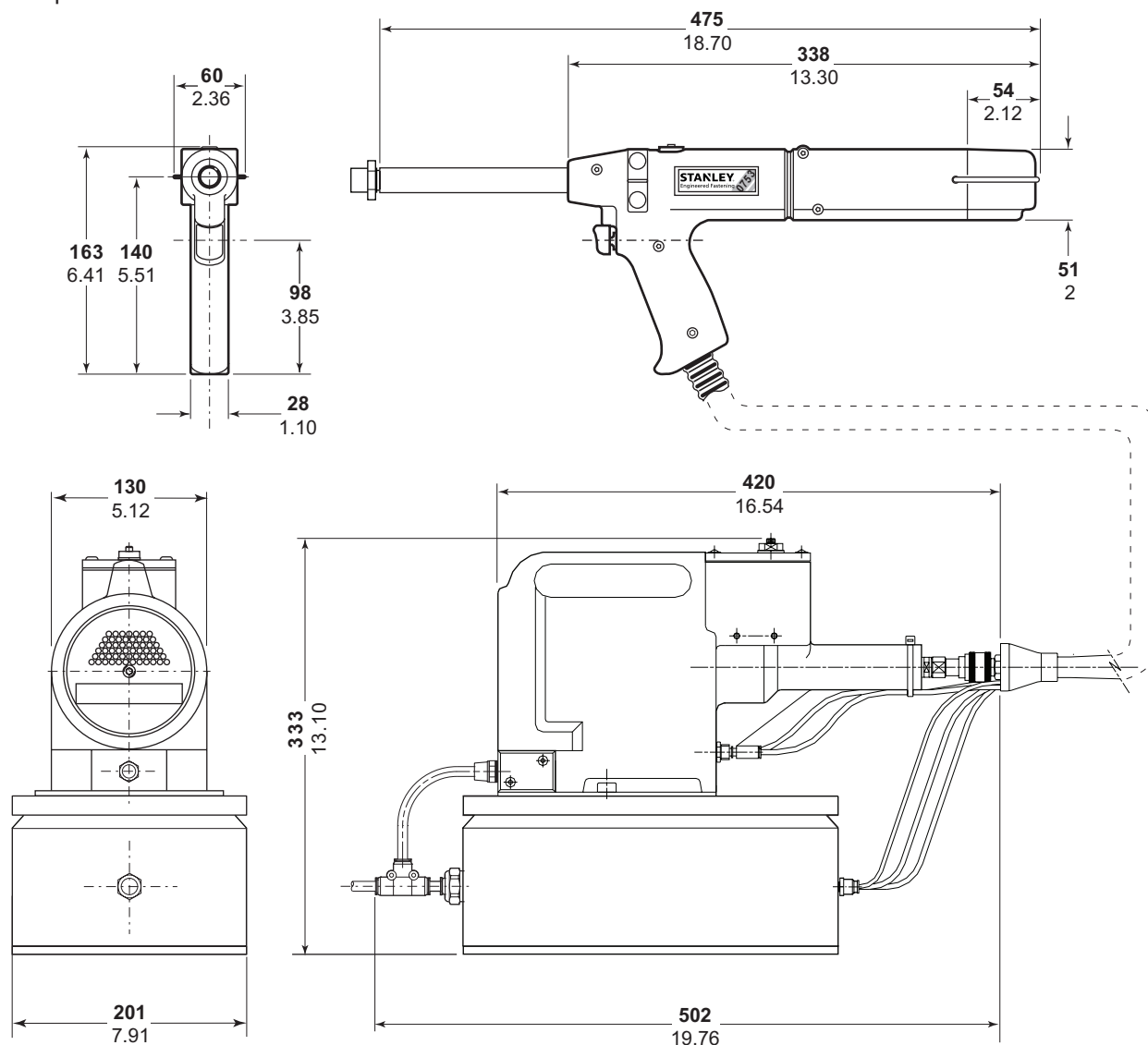
Numărul de unealtă pentru modelul 07536 este 07536-02200.

Consultați ansamblurile generale de la paginile 121-128.

NU utilizați în condiții de umezeală sau în prezența lichidelor sau a gazelor inflamabile.

3.1 DIMENSIUNI SCULĂ - MODEL 07536

Număr de piesă 07536-02100



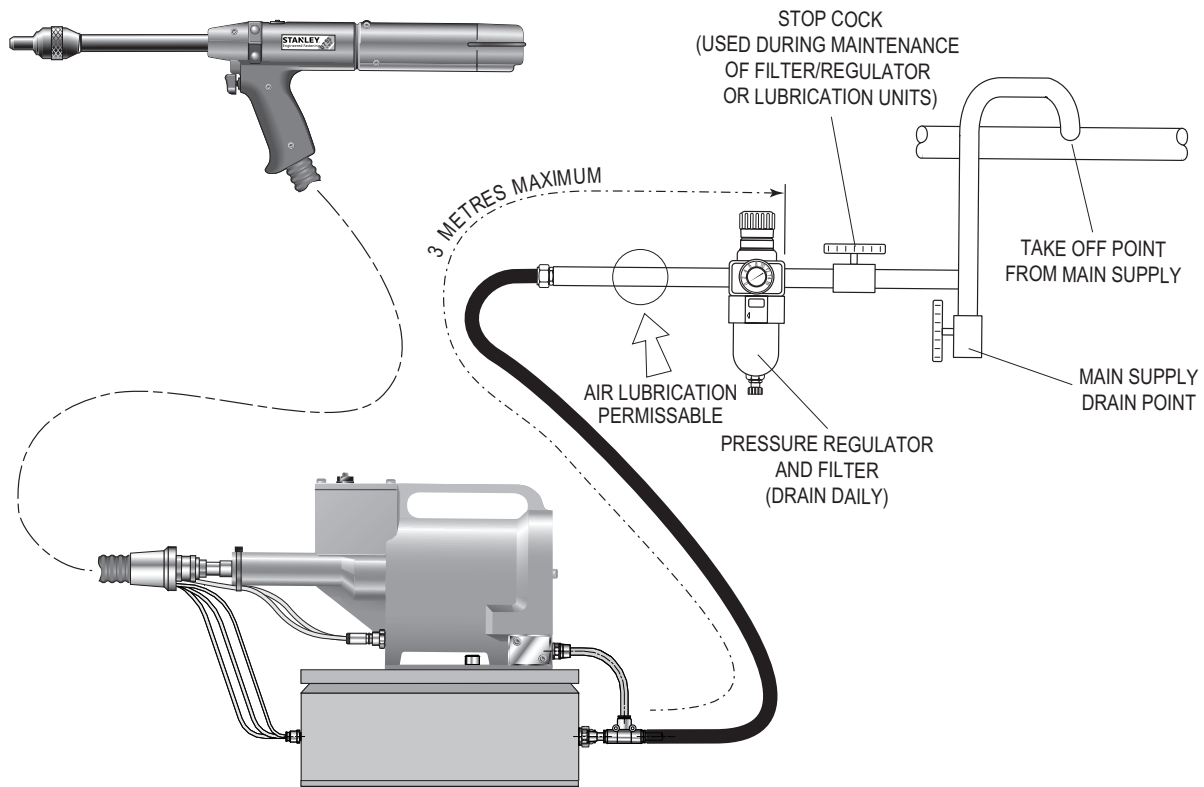
Dimensiuni în mm.

4. PUNEREA ÎN FUNCȚIUNE

4.1 ALIMENTAREA CU AER COMPRIMAT

Toate uneltele funcționează cu aer comprimat furnizat la o presiune optimă de 5,5 bari. Recomandăm utilizarea reglatoarelor de presiune și a sistemelor de filtrare la alimentarea cu aer. Pentru a asigura o durată de viață maximă a sculei și o întreținere minimă a acesteia, acestea trebuie montate la o distanță de 3 metri de sculă (consultați diagrama de mai jos).

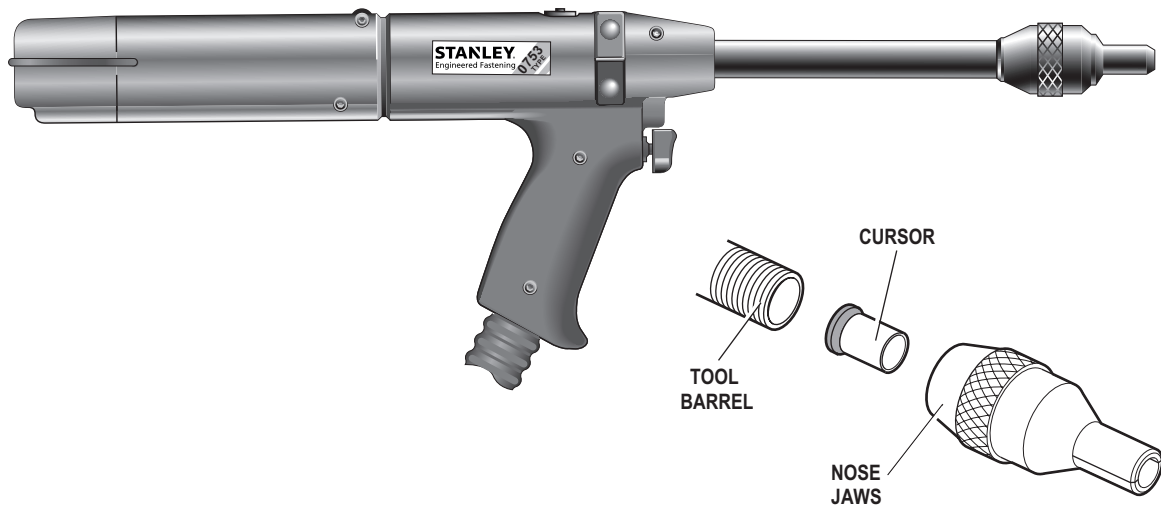
Furtunurile de alimentare cu aer vor avea o presiune minimă de lucru efectivă de 150% din presiunea maximă produsă în sistem sau 10 bari, oricare dintre acestea este mai mare. Furtunurile de aer trebuie să fie rezistente la ulei, să aibă o suprafață exterioară rezistentă la abraziune și să fie armate, în cazul în care condițiile de utilizare pot duce la deteriorarea acestora. Toate furtunurile de aer TREBUIE să aibă un diametru minim de 6,4 milimetri sau de 1/4 inci.



Urmați pașii de mai jos atunci când conectați unealta la intensificator și la sursa principală de aer:

- Apăsați capătul furtunului mai mare din sculă în conectorul cu eliberare rapidă de la capătul intensificatorului.
- Pe partea frontală a intensificatorului (Consultați la pagina 121):
 - Împingeți conducta pneumatică albastră (4 mm diametru exterior) în racordul reductor care se află în conectorul din stânga al peretelui etanș.
 - Împingeți conducta pneumatică neagră (diam ext 4 mm) în colierul de plastic al conectorului din dreapta al peretelui frontal.
- Pe fața frontală a casetei de comandă (Consultați pagina 121):
 - Apăsați conducta pneumatică argintie (3 mm diam ext) în reductorul etichetat „Cursor” de pe fața frontală a cutiei de control - partea stângă.
 - Apăsați conducta pneumatică verde (4 mm diam ext) în reductorul etichetat „Fălci coadă” de pe fața frontală a casetei de comandă - mijloc.
 - Apăsați conducta pneumatică albă (4 mm diam ext) în reductorul etichetat „Semnal” de pe fața frontală a casetei de comandă - partea dreaptă.
- Montați un furtun pneumatic între conectorul tată din partea din spate a intensificatorului și sursa principală de alimentare cu aer.

4.2 CURSOARE AER



Selectarea cursorului de aer

Consultați fișa tehnică separată 07900-00863 pentru componentele de asamblare a vârfului.

CURSOR

IMPORTANT

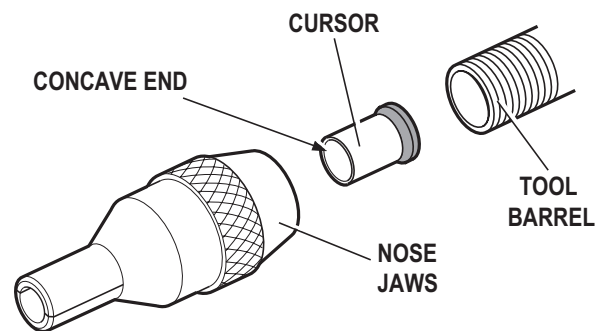
Dacă este montat incorect, cursorul nu va permite încărcarea sculei și alimentarea niturilor.

În timp ce cursorul va fi montat corect în momentul în care unealta este furnizată, vă recomandăm să verificați orientarea acestuia înainte de a monta echipamentul de vârf. Capătul cursorului ușor concav, ar trebui să fie îndreptat către partea din față a uneltei, așa cum se arată în ilustrație.

Pentru a inversa orientarea cursorului, urmați acești pași:

Trebuie să fiți extrem de precauți atunci când efectuați următoarea procedură. Trebuie avut grijă pentru a evita cilindrul și tija de nit proeminente.

- Îndepărtați ansamblul vârfului, dacă există unul.
- Introduceți o tijă de nit în unealtă.
- Închideți fălcile de coadă **32**, acționând comutatorul fălcii (elementele **18** și **19**).
- Cursorul va ieși din cilindru după o scurtă întârziere.
- Deschideți fălcile de coadă **32**, dezactivând întrerupătorul fălcilor de coadă (elementele **18** și **19**), astfel se va elibera tija de nit.
- Îndepărtați cursorul de pe tija de nit introduceți cursorul în cilindru.



4.3 ÎNCĂRCAREA ȘI REÎNCĂRCAREA UNELTEI

IMPORTANT

Procedura de încărcare a uneltei și de montare a echipamentului de vârf la unealtă este integrală.

Când comandați o unealtă sau un sistem complet, în mod normal, vă vor fi furnizate toate echipamentele necesare pentru nituire.

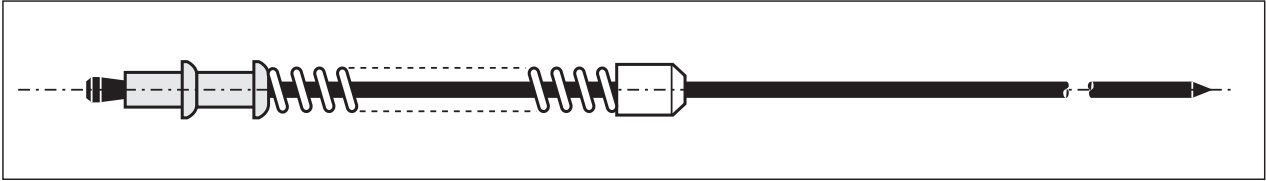
Dacă vi s-a furnizat falca de vârf, tije de nit și arcurile de tijă de nit, continuați cu încărcarea uneltei și montarea echipamentului de vârf, așa cum se arată mai jos.

Numerele elementelor cu caractere **aldine** se referă la ansamblul general și lista de piese pentru unealta 07536-02200 la paginile 124-125.

Încărcarea uneltei

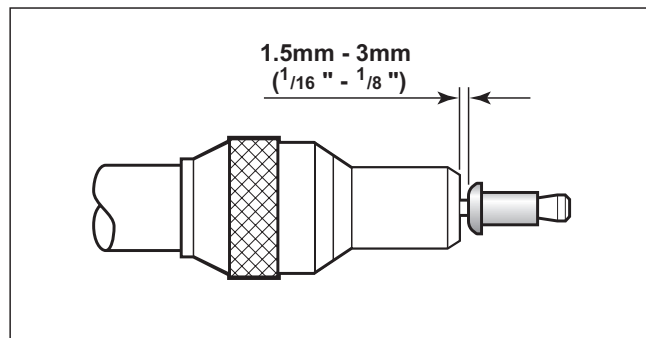
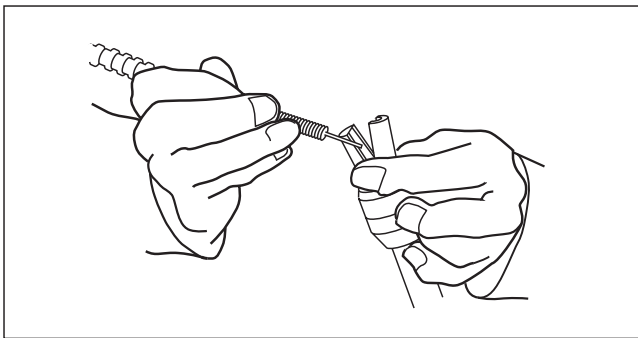
Conectați sursa de aer la unealtă.

- Deschideți fălcile de coadă **32** care prind tija de nit prin oprirea comutatorului fălcii de coadă (elementele **18** și **19**).
- Înșurubați fălcile de vârf selectate pe cilindrul **44** uneltei.
- * Introduceți o tijă de nit în capătul de coadă al niturilor prin pod-ul de hârtie.
- Glisați arcul pe tija de nit, asigurând orientarea corectă.



Înșurubând capătul cozii tije de nit, rupeți pod-ul de hârtie din jurul niturilor.

- Deschideți fălcile de vârf, fie rotind inelul exterior pe fălcile acționate cu came sau împingând spre exterior capetele fălcilor, așa cum este ilustrat mai jos, la stânga.
- Introduceți tija de nit asamblată anterior, arcul de tijă de nit și niturile în falca de vârf până când primul nit care a fost poziționat iese din falca de vârf.
- Închideți fălcile de vârf și ajustați, astfel încât primul nit iese în afară cu 1,5mm - 3mm ($1/16''$ până la $1/8''$), așa cum se arată în ilustrația de mai jos, la dreapta.
- Închideți fălcile de coadă **32** pentru a vă asigura că tija de nit este prinsă, acționând comutatorul fălcii (elementele **18** și **19**).



Reîncărcarea uneltei

- Deschideți fălcile de coadă **32** ale uneltei prin oprirea comutatorului fălcii de coadă (elementele **18** și **19**).
- Deschideți falca de vârf și trageți tija de nit goală și arcul de tijă de nit din unealtă.
- Reîncărcați unealta urmând instrucțiunile de mai sus, începând cu etapa •*.

Setarea uneltei - numai pentru ansamblurile cu vârf reglabil

Introduceți tija de nit asamblată anterior (consultați Încărcarea uneltei •*) sau tija de nit de unică folosință împotriva opritorului din cadrul ansamblului pistonului falcă de coadă **60**.

În timp ce țineți tija de nit, închideți fălcile de coadă **32**, care prind tija de nit, acționând comutatorul fălcilor de coadă (**18** și **19**).

Înșurubați piulița de blocare pe cilindrul **44** uneltei.

Rotiți ansamblul de vârf pe cilindru **44**.

Reglați ansamblul vârfului astfel încât primul element de fixare să iasă în afară cu 1,5 mm-3 mm ($1/16''-1/8''$), așa cum se arată în ilustrația de la pagina 117.

Strângeți piulița de blocare împotriva ansamblului vârfului pentru a împiedica deplasarea acestuia.

Numerele elementelor cu caractere **aldine** se referă la ansamblul general și lista de piese pentru unealta 07536-02200 la paginile 124-125.

Reîncărcarea uneltei

Deschideți fălcile din spate ale uneltei, dezactivând comutatorul fălcilor (**18-19**).

Deschideți fălcile și scoateți tija de nit goală și arcul de urmărire din unealtă.

Introduceți noua tijă de nit împotriva opritorului din unealtă și închideți fălcile de coadă **32**, care prind tija de nit, acționând comutatorul fălcilor de coadă (**18 și 19**).

Închideți fălcile cozii **32**.

4.4 PROCEDURA DE OPERARE**IMPORTANT**

Trebuie să verificați dacă orientarea cursorului și echipamentul de vârf sunt corecte, înainte de a încerca să folosiți unealta.

- Împingeți nitul, care iese din fălcile de vârf, în orificiile de aplicare, asigurându-vă că unealta este ținută drept.
- Acționați declanșatorul fără a-l elibera - capul de tijă de nit este tras prin nit, formând nitul.
- Înlăturați unealta.
- Eliberați declanșatorul. Următorul nit va fi avansat automat prin fălcile de vârf, gata pentru plasare.

5. ÎNTREȚINEREA UNELTEI

Întreținerea regulată trebuie efectuată anual sau la fiecare 500.000 de cicluri, oricare dintre aceste situații apare prima.

IMPORTANT

Angajatorul este responsabil să se asigure că instrucțiunile de întreținere a uneltelor sunt puse la dispoziția personalului corespunzător.
Operatorul nu trebuie implicat în întreținerea sau repararea uneltei, decât dacă este instruit în mod corespunzător.

5.1 CASETĂ DE COMANDĂ PNEUMATICĂ

IMPORTANT

Caseta pneumatică nu trebuie să fie deschisă în niciun caz. Caseta este un element închis.
Reglajele interne sunt presetate și nu trebuie modificate sau blocate.
Numai personalul autorizat STANLEY Engineered Fastening poate demonta această casetă de comandă.

⚠ ATENȚIE: Nu utilizați niciodată solvenți sau alte produse chimice puternice pentru curățarea componentelor nemetalice ale uneltei. Aceste produse chimice pot deprecia materialele utilizate în aceste componente.

5.2 ZILNIC

- Zilnic, înainte de utilizare sau când utilizați unealta pentru prima dată. Turnați câteva picături de ulei de lubrifiere în orificiul de admisie a aerului, dacă nu este instalat niciun dispozitiv de lubrifiere la alimentarea cu aer. Dacă unealta este utilizată continuu, furtunul de aer trebuie deconectat de la sursa principală de alimentare cu aer și unealta lubrifiată la fiecare două - trei ore.
- Verificați dacă există scurgeri de aer și ulei. Dacă există deteriorări, furtunurile și racordurile trebuie să fie înlocuite.
- Dacă regulatorul de presiune nu este dotat cu filtru, purjați conducta de aer pentru a elimina mizeria acumulată sau apa înainte de conecta furtunul la intensificator. Dacă există un filtru, goliți-l.
- Verificați dacă echipamentul de vârf este cel corect.
- Verificați în mod regulat tije de nit de semne de uzură sau deteriorare, în funcție de numărul de aplicări (citiți instrucțiunile de siguranță de la pagina 110-112).

5.3 SĂPTĂMÂNAL

- Efectuați procedurile „zilnice” așa cum este descris mai sus.
- Îndepărtați, inspectați, curățați și ungeți fâlcile de coadă (consultați „Cilindrul pentru falcă de coadă” din secțiunea „Întreținere” pagina 122).
- Verificați ca nivelul de ulei din rezervorul unității de intensificare să fie la aproximativ 12 mm (1/2”) sub placa de acoperire transparentă.

5.4 MOLY LITHIUM GREASE EP 3753 INFORMAȚII DE SIGURANȚĂ

Unsoarea poate fi comandată ca un singur element, numărul de piesă este prezentat în kituri de service la pagina 120.

Primul ajutor

PIELE:

Întrucât unsoarea este complet rezistentă la apă, este îndepărtată cel mai bine cu un produs de curățare a pielii emulsionant aprobat.

ÎNGHIȚIRE:

Asigurați-vă că persoana bea o soluție de 30 ml de magneziu, de preferință într-o cană de lapte.

OCHI:

Iritant, dar nu dăunător. Spălați cu apă și solicitați asistență medicală.

Foc

PUNCT DE APRINDERE: Peste 220°C.

Nu este clasificat ca inflamabil.

Mediu de stingere adecvat: CO₂, halon sau spray de apă, dacă este aplicat de un operator cu experiență.

Mediul înconjurător

Eliminați-l pentru ardere sau reciclare într-o unitate autorizată.

Manipulare

Folosiți mănuși rezistente la ulei sau cremă de protecție.

Stocare

Într-un loc ferit de căldură și de agent oxidant.

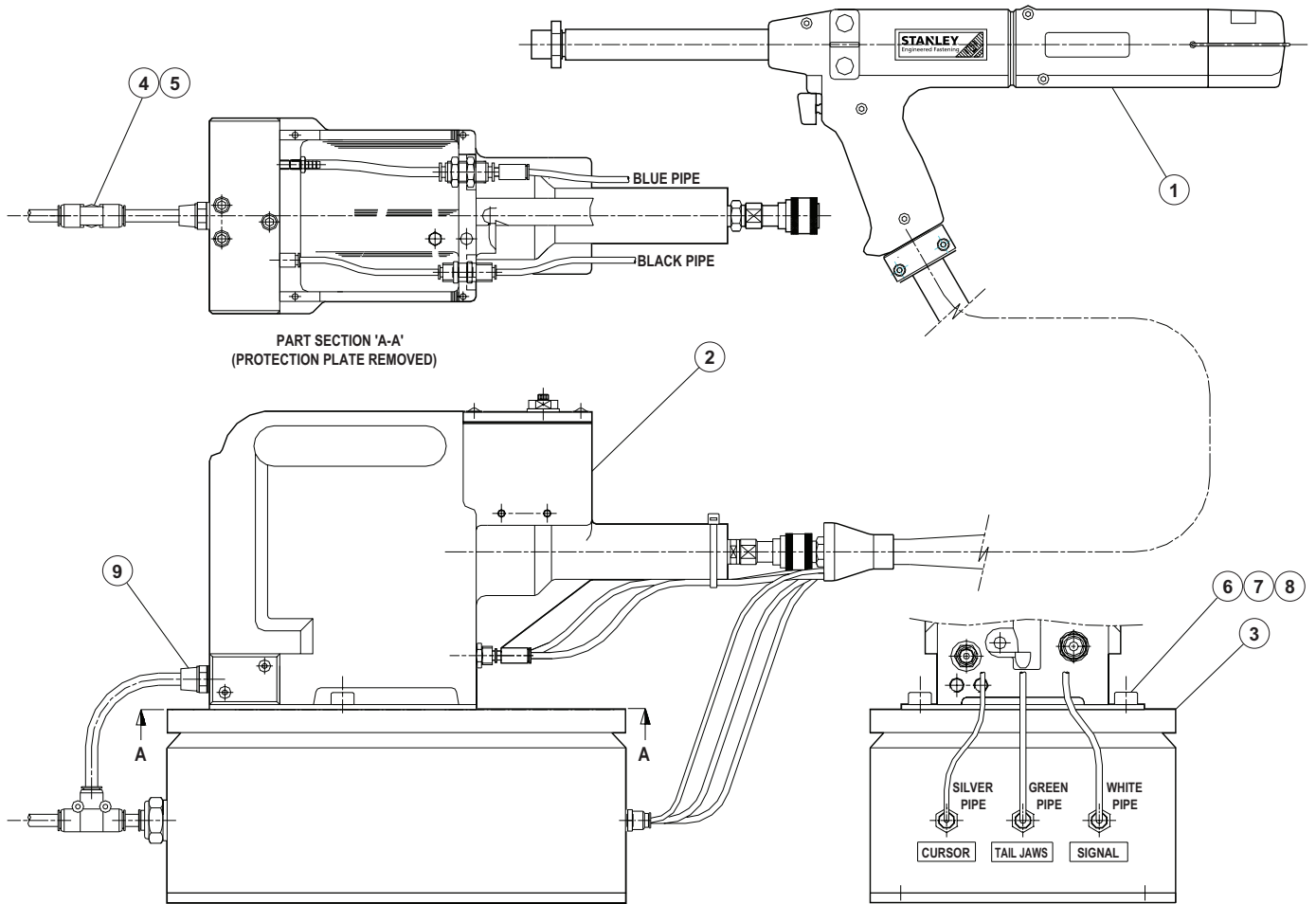
5.5 KIT DE SERVICE

Pentru toate lucrările de reparații, vă recomandăm să folosiți setul pentru reparații (nr. articol 07900-05300).

KITURI DE SERVICE					
ARTICOLUL NR.	DESCRIERE	Nr. OPR	ARTICOLUL NR.	DESCRIERE	Nr. OPR
07900-00157	CLEȘTE INEL ELASTIC	1	07900-00352	CÂRLIG DE ÎNDEPĂRTARE A GARNITURII	1
07900-00006	SPATULĂ	1	07900-00710	CHEIE DE DEMONTARE A FIȘEI DE CILINDRU	1
07900-00446	EXTRACTOR	1	07900-00725	ELEMENT ASAMBLARE	1
07900-00603	FĂLCI DE PRINDERE CILINDRU	1	07900-00243	ȘURUBELNIȚĂ	1
07900-00520	TIJĂ 3/8"	1	07900-00717	CHEIE INTENSIFICATOR	1
07900-00521	TIJĂ 1/4"	1	07900-00013	CHEIE ALLEN 1/8"	1
07900-00602	ELEMENT ASAMBLARE INEL „O”	1	07900-00617	PACHET DE 50ml LOCTITE® 574	1
07900-00595	CHEIE DE 18mm	1	07900-00469	CHEIE ALLEN 2,5mm	1
07900-00434	CHEIE DE 32mm	1	07900-00351	CHEIE ALLEN 3mm	1
07900-00237	3/8" × 5/16" B.S.W. CHEIE	1	07900-00224	CHEIE ALLEN 4mm	1
07900-00012	CHEIE 9/16" × 5/8"	1	07900-00225	CHEIE ALLEN 5mm	1
07900-00008	CHEIE 7/16" × 1/2"	1	07992-00020	CUTIE DE UNSOARE 80g MOLY LITHIUM EP 3753	1

Notă: Dimensiunile cheilor se măsoară „între fălci”, cu excepția cazului în care se specifică altfel.

5.6 UNEALTĂ CURSOR DE AER, INTENSIFICATOR ȘI ANSAMBLU CASETĂ DE COMANDĂ 07536-02100



ELEMENT	NR. PIESĂ	DESCRIERE	Nr. OPR
1	07536-02200	CURSOR DE AER SCULĂ DE MÂNĂ	1
2	07531-02200	INTENSIFICATOR UNEALTĂ	1
3	07007-02024	CASETĂ DE COMANDĂ CURSOR DE AER	1
4	07005-10071	CONECTOR T	1
5	07005-10072	CONDUCTE DE 8 MM (2,50 m)	1
6	74405-12080	PIULIȚĂ M8 MODIFICATĂ	8
7	07001-00469	ȘURUB CU CAP CILINDRIC M8 x 15	2
8	07002-00105	ȘAIBĂ M8	4
9	07005-01573	CONECTOR TATĂ TUB DE 8 MM	1
10	07005-01977	REDUCTOR TATĂ/MAMĂ 6MM /4MM	1

6. ÎNTREȚINEREA

La fiecare 500.000 de cicluri, unealta ar trebui să fie complet demontată și trebuie utilizate componente noi, dacă sunt uzate, deteriorate sau după cum se recomandă. Toate inelele și garniturile „O” trebuie schimbate și lubrifiate cu unsoare Moly Lithium EP 3753 înainte de asamblare.

IMPORTANT

Instrucțiunile de siguranță se regăsesc la pagina 4.

Angajatorul este responsabil să se asigure că instrucțiunile de întreținere a uneltelor sunt puse la dispoziția personalului corespunzător.

Operatorul nu trebuie implicat în întreținerea sau repararea uneltei, decât dacă este instruit în mod corespunzător.

Linia de aer trebuie deconectată înainte de a încerca orice reparație sau demontare, cu excepția cazului în care se specifică altfel.

Se recomandă ca orice operațiune de demontare să fie efectuată în condiții de curățenie.

Înainte de a demonta unealta, va trebui să îndepărtați echipamentul pentru vârf.

Pentru o întreținere totală a uneltei, vă indicăm să procedați la demontarea subansamblurilor în ordinea prezentată mai jos, după ce ați deconectat furtunul hidraulic de la unitatea de intensificare, conductele de aer de la intensificator și de la caseta de comandă, separând astfel unitatea de pistol de unitatea de intensificare.

Substanțele potențial periculoase care s-ar fi putut depune pe mașină ca urmare a proceselor de lucru trebuie să fie îndepărtate înainte de întreținere.

6.1 DEMONTAREA 07536-02200

CILINDRUL FĂLCII DE COADĂ

- Întoarceți manual clema de fixare **53** în sus și îndepărtați capacul **59**.
- Folosind o cheie Allen*, desfaceți un șurub de cap **6**, asigurându-vă că aerul prins în cilindrul fâlcii de coadă este eliminat. Demontați ce de-al doilea șurub cu cap cilindric **6**.
- Scoateți fișa posterioară **50**. **Notă:** Pentru a facilita extracția, există un filet de 5 mm pe partea din spate a fișei.
- Extragerea componentelor fâlcii de coadă de aer, care cuprind ansamblul pistonului fâlcii de coadă **60**, opritorul **52**, inelul „O” **12** și fâlcile **32**.
- Extrageți componentele rămase, cuprinzând arcul 36 și carcasa falcilor **42**.
- Lungimea liberă a arcului **36** trebuie să fie de 38,1 mm (1,5"). Înlocuiți, dacă este necesar.
- Îndepărtați inelul „O” de etanșare a ansamblului pistonului **11**.
- Deconectați tubul concertina al cursorului de aer (verde) **49** de la conectorul cot **22**.
- Deconectați tubul Concertina al cursorului de aer (argintiu) **38** de la cotul **30**.
- Folosind o cheie Allen*, îndepărtați toate cele cinci șuruburi de fixare a muchiiilor mânerului **3**, **4** și toate cele patru piulițe **8** de pe mânerul uneltei.
- Prindeți cilindrul **44** într-o menghină cu fâlcii moi* pentru a preveni deteriorarea.
- Folosind o cheie*, deșurubați fișa de cilindru **46**, pentru a împiedica rotirea cilindrului **44** folosind o cheie cu capăt deschis*.
- Trageți cilindrul **47** al fâlcii de coadă de pe sculă.
- Îndepărtați inelul „O” **14**, banda de frecare **41** și arcul de retur al cilindrului **37**.
- Înainte de asamblare, acoperiți cu unsoare Moly Lithium fața falcilor de coadă **32**, în contact cu carcasa fâlcii **42**.
- Asamblați în ordinea inversă demontării.

PISTON HIDRAULIC

- Îndepărtați cilindrul fâlcii de coadă **47** așa cum s-a descris anterior.
- Prindeți corpul **45** în menghină folosind fâlcii moi* pentru a evita deteriorarea, desfaceți limitatorul de cursă **40**.

* Se referă la elementele incluse în kitul de service 0753 MkII. Pentru lista completă, consultați pagina 120.

Numerele de articole cu caractere **aldine** se referă la lista generală de asamblare și de piese de la paginile 124-125.

- Folosind o cheie Allen*, slăbiți șurubul **5** prin fixarea blocului de comutare **54** la cilindru **44**.
- Țineți ferm unealta și trageți cilindrul **44** din corpul **45** (o cantitate mică de ulei hidraulic poate fi expulzată din interiorul ansamblului capului).
- Îndepărtați pistonul **39** cu atenție pentru a nu deteriora alezajul capului.
- Îndepărtați garnitura **16**.
- Garnitura **17** este dificil de îndepărtat fără a o deteriora, dar poate rămâne pe poziție în timpul curățării (cu condiția să nu fie afectată de procesul de curățare). Dacă, totuși, garnitura **17** necesită schimbare, procedați după cum urmează:
- Folosind o spatulă*, scoateți garnitura de etanșare **17** din corpul **45**, având grijă să nu deteriorați cavitatea corpului și alezajele. Garnitura scoasă **17** trebuie aruncată.
- Pentru a înlocui garnitura de etanșare **17**, deșurubați ansamblul bușon de aerisire **43** până când fața interioară este la nivelul alezajului intern al corpului **45**. Acest lucru va oferi o trecere lină pentru introducerea a noii garnituri **17** prin partea din spate a corpului **45**.
- Asigurați-vă că garnitura **17** este bine unsă și în sensul corect, cu capătul deschis al garniturii orientat spre fâlcile din spate.
- Asamblați complet în ordinea inversă demontării.

ANSAMBLU DECLANȘATOR

- Pentru a demonta/întreține ansamblul, scoateți capacele de pe sculă, așa cum s-a descris anterior.
- Deconectați toate furtunurile de aer din ansamblu, având grijă să nu le deteriorați. Scoateți ansamblul.
- Cu ajutorul unei chei*, deșurubați dispozitivul de fixare **34** și scoateți-l. Aveți grijă să păstrați arcul **31**.
- Scoateți inelul „O” **10**, având grijă să nu deteriorați locașurile axului 35 și ale dispozitivului de reținere **34**.
- Curățați și reasamblați folosind un inel O nou **10**.
- Verificați lungimea arcului **31**, care trebuie să aibă o lungime liberă de 12,7 mm (0,5") - înlocuiți-l dacă este necesar.
- Asamblați în ordinea inversă demontării.

SUPAPA DE PORNIRE/OPRIRE A FĂLCII DE COADĂ

- Unitatea este proiectată, astfel încât să fie necesară repararea pe durata vieții sculei.
- Dacă este necesar să demontați supapa, procedați după cum urmează:
- Îndepărtați blocul de comutare **56** așa cum este descris în secțiunea „Pistonul hidraulic”.
- Folosind o șurubelniță*, scoateți cu grijă șaiba cromată **18** din tubul de aer al fâlcii **55** și eliminați șaiba.
- Extrageți tubul de aer al fâlcii **55** din blocul de comutare **54**.
- Având grijă să nu deteriorați tubul de aer al fâlcii **55**, îndepărtați inelele „O” **12**.
- Curățați tubul și montați inele „O” noi **12** folosind elementul de asamblare* și introduceți-l în blocul de comutare **54**, notând orientarea acestuia.
- Montați noua șaibă cromată **18** prin fixarea în menghină cu fâlcii moi pentru a preveni deteriorarea. **NU UTILIZAȚI O FORȚĂ EXAGERATĂ.**
- Asamblați complet în ordinea inversă demontării.

MÂNER ȘI CAPAC FINAL

- Curățați și inspectați matrițele pentru urme de fisuri sau alte deteriorări.

CURSOR

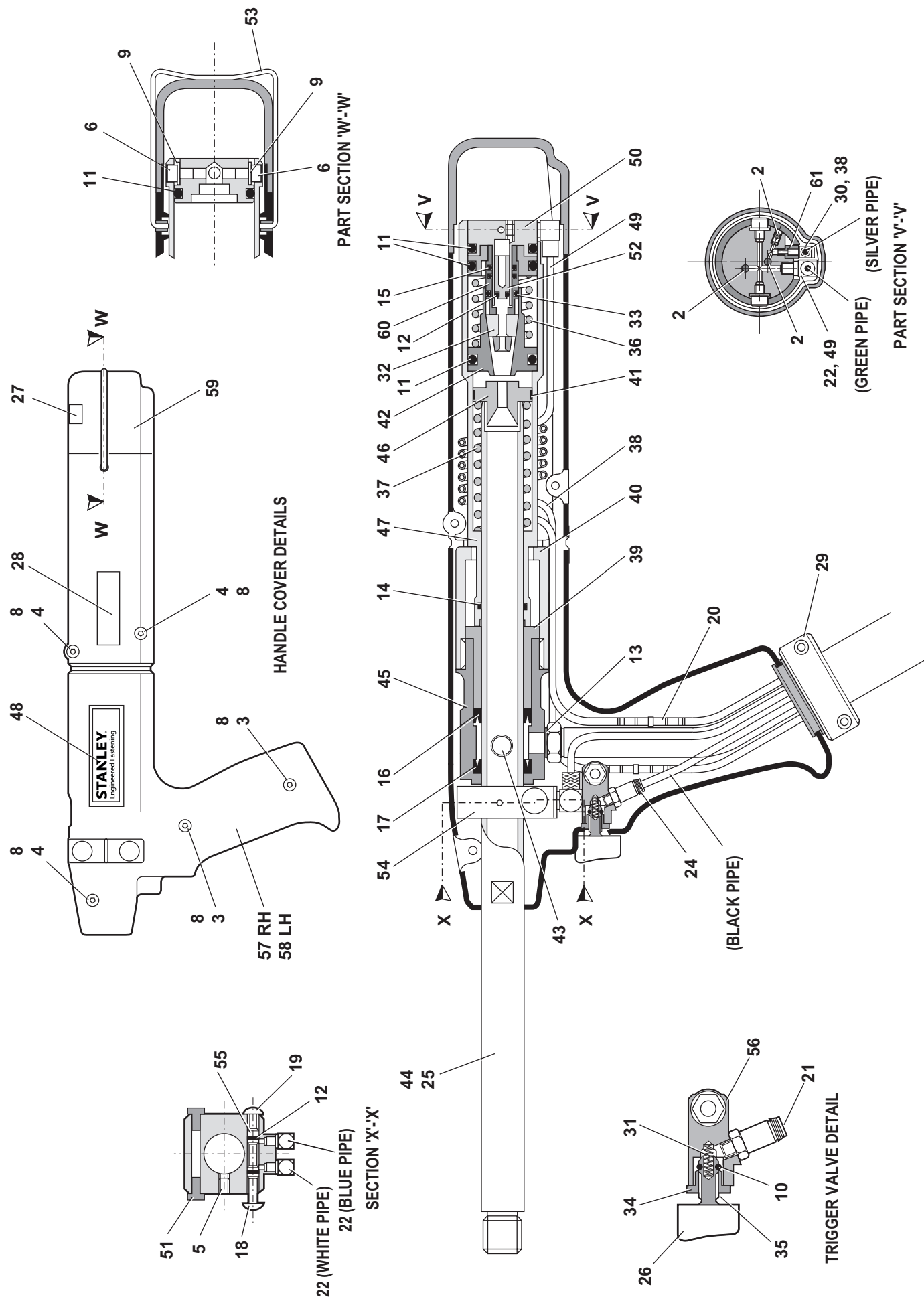
- Curățați și ungeți din când în când ansamblul cursorului cu puțin ulei.

IMPORTANT

**Verificați unealta conform procedurilor zilnice și săptămânale.
Amorsarea este ÎNTOTDEAUNA necesară după ce unealta a fost demontată și înainte de operare.**

* Se referă la elementele incluse în kitul de service 0753 MkII. Pentru lista completă, consultați pagina 120.
Numerele de articole cu caractere **aldine** se referă la lista generală de asamblare și de piese de la paginile 124-125.

6.2 ANSAMBLUL GENERAL AL UNELTEI DE BAZĂ 07536-02200



6.3 LISTA DE PIESE PENTRU UNEALTA DE BAZĂ 07536-02200

LISTA DE PIESE 07536-02200										
ELEMENT	NR. PIESĂ	DESCRIERE	CANT.	REZERVE	ELEMENT	NR. PIESĂ	DESCRIERE	CANT.	REZERVE	CANT. REZERVE
1	07007-00392	LEGĂTURĂ DE CABLU (NU ESTE PREZENTATĂ)	1	-	34	07220-00803	ELEMENT DE FIXARE	1	-	1
2	07001-00499	ȘURUB SETARE LUNG M3x5	3	-	35	07241-00208	ARBORE	1	-	1
3	07001-00262	ȘURUB CAP CILINDRIC LUNG M4x22	1	-	36	07154-00404	ARC	1	-	1
4	07001-00401	ȘURUB CAP CILINDRIC LUNG M4x10	4	-	37	07490-03002	ARC REVENIRE CILINDRU	1	-	1
5	07001-00404	ȘURUB CILINDRIC LUNG M5x6	1	-	38	07536-02211	TUB DE 3 MM PENTRU CURSOR DE AER CONCERTINA - ARGINTIU	1	-	1
6	07001-00504	ȘURUB CAP CILINDRIC LUNG M4x6	2	2	39	07536-00203	PISTON	1	-	1
7					40	07530-00204	LIMITATOR DE CURSĂ	1	-	1
8	07002-00134	PIULIȚĂ HEXAGONALĂ M4	4	-	41	07530-00206	BANDĂ FRECARÉ	1	-	1
9	07002-00153	ȘAIBĂ M4 [PLASTIC]	2	-	42	07536-00208	CARCASĂ FALCĂ	1	-	1
10	07003-00022	INEL „O”	1	-	43	07530-00500	ANSAMBLU BUȘON DE AERISIRE [ELEMENTELE 62 PÂNĂ LA 65] ●	1	-	1
11	07003-00113	INEL „O”	3	3	44	07536-02201	CILINDRU	1	-	1
12	07003-00121	INEL „O”	3	3	45	07530-02202	CORP	1	-	1
13	07003-00142	GARNITURĂ LIPIȚĂ 1/8”	1	1	46	07530-02205	FIȘĂ CILINDRU	1	-	1
14	07003-00167	INEL „O”	1	1	47	07536-02207	CILINDRUL FĂLCII DE COADĂ	1	-	1
15	07003-00386	INEL „O”	2	-	48	07530-02210	ETICHETĂ	2	-	2
16	07003-00236	GARNITURĂ [DINAMICĂ]	1	1	49	07536-02212	TUB DE 4 MM PENTRU CURSOR DE AER CONCERTINA - VERDE	1	-	1
17	07003-00237	GARNITURĂ [STATICĂ]	1	-	50	07536-02213	FIȘĂ POSTERIOARĂ	1	-	1
18	07004-00058	ȘAIBĂ STARLOCK CROM 1/8”	1	-	51	07530-00310	FIȘĂ OARBĂ	2	-	2
19	07004-00059	ȘAIBĂ STARLOCK NEAGRĂ 1/8”	1	-	52	07536-02214	STOP	1	-	1
20	07005-10073	CONECTOR 3MM	1	-	53	07530-02220	CLEMĂ	1	-	1
21	07005-01357	CONECTOR DE TIP COLIER	1	-	54	07530-02301	BLOC DE COMUTARE	1	-	1
22	07005-01571	COT CONECTOR	3	-	55	07530-02302	TUB DE AER AL FĂLCII DE COADĂ	1	-	1
23	07536-02216	CONTRAPIULIȚĂ	1	-	56	07530-02311	CARCASĂ DECLANȘATOR	1	-	1
24	07005-10074	CONECTOR 2MM	1	-	57	07536-02601	ANSAMBLU MĂNER PE PARTEA DREAPTĂ	1	-	1
25	07007-00017	CAPAC DE PRAF	1	-	58	07536-02602	ANSAMBLU MĂNER PE PARTEA STÂNGĂ	1	-	1
26	07007-00300	BUTON DECLANȘATOR	1	-	59	07530-02603	CAPAC DE ÎNCHIDERE	1	-	1
27	73200-02022	ETICHETĂ DE SIGURANȚĂ	1	-	60	07536-02800	ANSAMBLUL PISTON FALCĂ DE COADĂ	1	-	1
28	07007-01504	ETICHETĂ MARCAJ CE	1	-	61	07536-02215	ADAPTOR DE MONTAJ	1	-	1
29	07008-00438	ANSAMBLU FURTUN FLEXIBIL	1	-	62	07003-00142	● GARNITURĂ (NU ESTE INDICAT)	1	-	1
30	07005-01323	COT M3	1	-	63	07003-00194	● GARNITURĂ (NU ESTE INDICAT)	1	-	1
31	07125-00215	ARC	1	-	64	07001-00442	● ȘURUB (NU ESTE INDICAT)	1	-	1
32	07151-00403	FĂLCILE DE COADĂ	1 pereche	2	65	07530-00501	● FIȘĂ (NU ESTE INDICAT)	1	-	1
33	07003-00016	INEL „O”	1	-						

6.4 INSTRUCȚIUNI DE DEMONTARE

- La demontarea ansamblului intensificatorului, deconectați mai întâi furtunul de alimentare cu aer de la conectorul **22** de intrare a intensificatorului.
- Cu ajutorul unei chei Allen*, desfaceți cele patru șuruburi **27** și scoateți placa de protecție **24**.
- Deconectați furtunul de declanșare **47** de la supapa de intensificare **43** sau **48** prin apăsarea colierului de ieșire și retragerea furtunului.
- Îndepărtați placa de acoperire **4** și garnitura **35** prin îndepărtarea șuruburilor **37** și a șaibelor **36** cu ajutorul cheii Allen*.
- Asigurați-vă că garnitura nu este deteriorată pentru a asigura o etanșare corespunzătoare la asamblare.
- Se inversează ansamblul intensificator și se golește uleiul din rezervor într-un recipient adecvat.
- Îndepărtați conectorul cu eliberare rapidă **32** împreună cu conectorul **31** și garniturile **33** cu ajutorul unei chei adecvate*.
- Îndepărtați supapa de intensificare **43** sau **48** prin îndepărtarea șuruburilor de fixare cu o cheie potrivită, având grijă să rețineți inelul O **21** situat în corpul intensificatorului.
- Îndepărtați șurubul **19** cu ajutorul unei chei Allen* adecvate și scoateți capacul amortizorului **16**, amortizorul de spumă **15**, distanțierul **18** și placa de fixare **20**.
- Scoateți tubul de plastic de 6 mm **41** de la conectorii de vacuum **42**.
- De la baza intensificatorului, introduceți o cheie Allen de 3 mm* prin cele două găuri și deșurubați conectorii de vacuum **42**. Notă:
 - Trebuie să aveți grijă, deoarece conectorii de vid sunt blocați și sigilați în poziție cu Loctite 574.
 - În cazul în care este dificil de îndepărtat, conectorii de vacuum pot fi scoși cu un burghiu cu diametrul de $\frac{3}{16}$ " sau 4,7 mm.
- Pentru a reasambla conectorii de vacuum **42**, trebuie să se parcurgă următoarea procedură: -
 - Înmuiați conectorii de vacuum într-un activator adecvat, de exemplu Perma Bond A905
 - Puneți o picătură de Loctite® 574 în orificiul filetat al intensificatorului.
 - De la baza intensificatorului, introduceți cheia Allen * prin orificiu. Asigurați-vă că cheia Allen* nu conține Loctite 574 înainte de a o introduce în conectorul de vacuum.
 - Rotiți cheia Allen în timp ce aplicați Loctite® 574 la baza conectorului de vacuum.
 - Înșurubați conectorul de vacuum în intensificator, asigurându-vă că la baza racordului există suficient Loctite 574 astfel încât filetul să nu fie vizibil.
- Cu ajutorul unei șurubelnițe, îndepărtați cu grijă inelul de reținere intern **14**. Curățați și inspectați canelura pentru a vedea dacă există semne de deteriorare.
- Cu ajutorul extractorului*, introduceți capătul filetat atât în capacul de capăt **12** și scoateți-l împreună cu manșonul intensificator **28** și inelele „O” **10** și **13**.
- Introduceți tija* prin orificiul de conectare din partea din față a corpului intensificatorului și scoateți tija **9** și ansamblul pistonului.
- Cu ajutorul unei chei Allen* adecvate, deșurubați cele două șuruburi **25** și scoateți capacul de capăt **12** din manșonul intensificatorului **28**.
- Îndepărtați dopul de etanșare **7** cu o cheie*.
- Introduceți tija* prin orificiul de conectare din partea din față a corpului intensificatorului și împingeți carcasa de etanșare **5** și inelele „O” și garniturile asociate.
- Îndepărtați ansamblul carcasei de supapă **34** de pe corpul principal cu o cheie potrivită*. Curățați prin suflare cu un jet de aer de joasă presiune.
- Îndepărtați tija pistonului **9** de pe pistonul de aer **11** al intensificatorului prin zădărire primii 20 mm (3/4") ai tijei într-o menghină cu fălci moi, având grijă să nu deteriorați sau să marcați suprafața de lucru.
- Deșurubați contrapiulița **17** cu o cheie potrivită*.

* Se referă la elementele incluse în setul de service 0753 MkII. Pentru lista completă, consultați pagina 120. Numerele de articole cu caractere **aldine** se referă la ilustrația și lista de piese alăturată.

- Se montează în ordinea inversă a demontării, respectând următoarele:
- Curățați toate piesele și schimbați toate inelele „O”.
- Lubrifiați toate garniturile folosind unsoare Moly Lithium.
- Ansamblul de carcasă a supapei **34** trebuie montat din nou folosind un adeziv de etanșare a filetelui.
- Asamblați ansamblul pistonului folosind o nouă piuliță **17**.
- Capacul de capăt **12** trebuie să fie montat corect în interiorul inelului de reținere **14**. Unealta nu trebuie să fie utilizată dacă a fost omis capacul frontal.

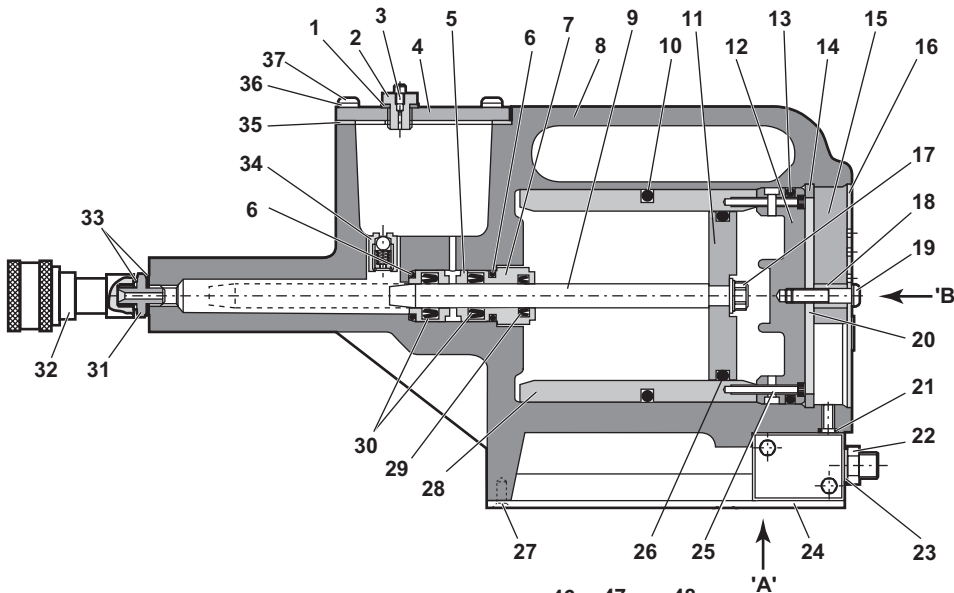
IMPORTANT

Amorsarea este ÎNTOTDEAUNA necesară după ce unealta a fost demontată și înainte de operare.

6.5 PROTECȚIA MEDIULUI

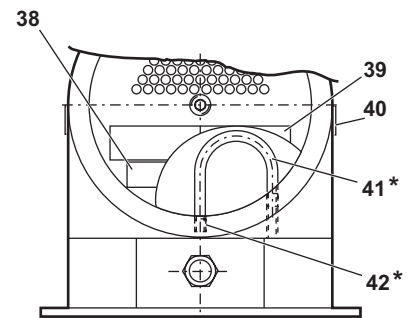
Asigurați conformitatea cu reglementările aplicabile privind eliminarea. Eliminați toate deșeurile la o unitate sau locație aprobată pentru a nu expune personalul și mediul la pericole.

6.6 INTENSIFICATOR 07531-02200

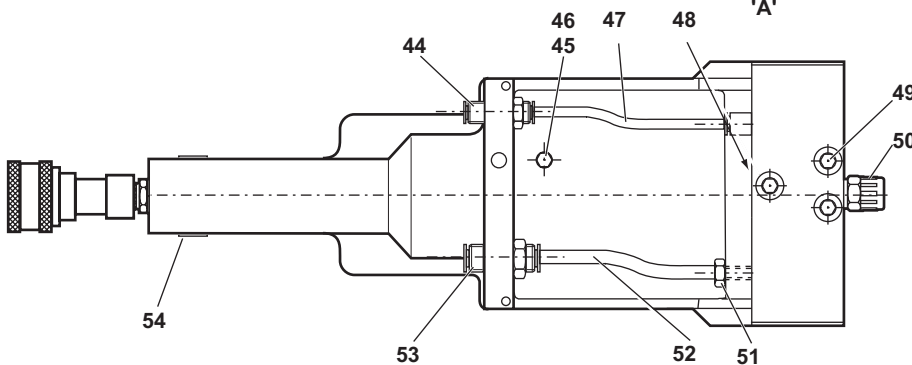


Note

* Some units will not include these items (The required link is achieved via internal porting).



VIEW ON ARROW 'B'



VIEW ON ARROW 'A'

VIEW ILLUSTRATING FESTO VALVE

VIEW ILLUSTRATING COMPAIR VALVE

* Se referă la elementele incluse în setul de service 0753 MkII. Pentru lista completă, consultați pagina 120. Numerele de articole cu caractere **aldine** se referă la ilustrația și lista de piese alăturată.

LISTA DE PIESE 07531-02200											
ELEMENT	NR. PIEȘĂ	DESCRIERE	CANT. REZERVE	ELEMENT	NR. PIEȘĂ	DESCRIERE	CANT. REZERVE	ELEMENT	NR. PIEȘĂ	DESCRIERE	CANT. REZERVE
1	07003-00037	GARNITURĂ	1	28	07531-00201	MANȘON	1	1			1
2	07240-00211	ȘURUB DE UMPLERE	1	29	07003-00337	SIMERING	1	-			1
3	07001-00418	ȘURUB DE PURJARE	1	30	07003-00336	SIMERING	1	1			2
4	07240-00210	PLACĂ DE ACOPIRE	1	31	07005-00406	CONECTOR	1	-			1
5	71420-02006	CARCASĂ DE ETANȘARE	1	32	07005-00759	CONECTOR CU ELIBERARE RAPIDĂ	1	-			1
6	07003-00153	INEL „O”	2	33	07003-00142	GARNITURĂ	2	-			1
7	71420-02007	FIȘĂ ETANȘARE	1	34	07240-00400	ANSAMBLU CARCASĂ SUPAPĂ	1	-			1
8	71420-02300	ANSAMBLU CORP	1	35	07240-00209	GARNITURĂ	1	-			1
9	71420-02008	TIJĂ DE PISTON	1	36	07002-00073	ȘAIBĂ	1	-			4
10	07003-00182	INEL „O”	1	37	07001-00554	ȘURUB	1	1			4
11	07531-00202	PISTON DE AER	1	38	07007-01504	ETICHETĂ	1	-			1
12	07531-00204	CAPAC DE CAPĂT	1	39	07240-00217	ETICHETĂ	1	-			1
13	07003-00183	INEL „O”	1	40	07531-00205	ETICHETĂ	1	1			2
14	07004-00069	INEL DE FIXARE	1	41	07005-00596	* TUB DIN PLASTIC 6mm	1	1			-
15	07240-00213	AMORTIZOR DE SPUMĂ	1	42	07245-00103	* CONECTOR DE VACUUM	1	1			2
16	07240-00214	CAPAC AMORTIZOR	1	43	07005-00590	SUPAPĂ COMPAIR	1	-			1
17	07002-00017	PIULIȚĂ	1	44	07005-01431	CONECTOR BULKHEAD	1	1			1
18	07240-00215	DISTANȚIER	1	45	07005-00668	FIȘĂ M5	1	-			1
19	07001-00417	ȘURUB	1	46	07005-00670	INEL ETANȘARE M5	1	1			1
20	07240-00216	PLACĂ DE REȚINERE	1	47	07005-01084	TUB DE PLASTIC 4mm (150mm)	1	-			-
21	*07003-00042	INEL „O”	1	48	07005-01524	SUPAPĂ FESTO	1	1			1
22	07005-00041	CONECTOR	1	49	07001-00176	ȘURUB	1	-			3
23	07003-00065	ȘAIBĂ	1	50	07007-00292	1/4" BSP REDCAP	1	-			1
24	07240-00220	PLACĂ DE PROTECȚIE	1	51	07005-00647	CONECTOR	1	-			1
25	07001-00375	ȘURUB	2	52	07005-01085	TUB DE PLASTIC 6mm (150mm)	2	-			-
26	07003-00238	INEL „O”	1	53	07005-00855	ÎMBINARE BULKHEAD	1	1			1
27	07001-00396	ȘURUB	4	54	73200-02022	ETICHETĂ DE SIGURANȚĂ	4	-			1

7. AMORSARE

Amorsarea este ÎNTOTDEAUNA necesară după ce unealta a fost demontată și înainte de operare. De asemenea, poate fi necesară restabilirea cursei complete după o utilizare prelungită, când cursa poate fi redusă și dacă elementele de fixare nu sunt complet plasate printr-o singură operare a declanșatorului.

7.1 DETALII PENTRU ULEI

Uleiul recomandat pentru amorsare este Hyspin VG32 AWS 32, disponibil într-un recipient de 0,5 l (număr articol 07992-00002) sau într-un recipient de un galon (număr de articol 07992-00006). Vă rugăm să consultați datele de siguranță de mai jos.

7.2 DATE DE SIGURANȚĂ ULEI HYPIN® VG32 ȘI AWS 32

Primul ajutor

PIELE:

Spălați-vă bine cu apă și săpun cât mai curând posibil. Contactul ocazional nu necesită atenție imediată. Contactul pe termen scurt nu necesită atenție imediată.

ÎNGHIȚIRE:

Solicitați imediat asistență medicală. NU induceți vomitarea.

OCHI:

Clătiți imediat cu apă timp de mai multe minute. Deși NU este un iritant primar, poate apărea o iritație minoră în urma contactului.

Foc

Mediu de stingere adecvat: CO₂, pulbere uscată, spumă sau ceață de apă. NU folosiți jeturi de apă.

Mediul înconjurător

ELIMINAREA DEȘEURILOR: Prin contractant autorizat la o locație autorizată. Poate fi incinerat. Produsul folosit poate fi trimis pentru reciclare.

VĂRSAREA: Preveniți pătrunderea în canalizări și cursuri de apă. Folosiți un material absorbant.

Manipulare

Purtați protecție pentru ochi, mănuși impermeabile (de ex. din PVC) și un șorț din plastic. Utilizați în zone bine ventilate.

Stocare

Fără precauții speciale.

7.3 PROCEDURA DE AMORSARE

IMPORTANT

NU ACȚIONAȚI DECLANȘATORUL ÎN TIMP CE ȘURUBUL DE AERISIRE ESTE ÎNDEPĂRTAT
Toate operațiunile trebuie efectuate pe o un banc de lucru curat, cu mâinile curate într-o zonă curată.
Asigurați-vă că uleiul nou este perfect curat și fără bule de aer.

TREBUIE să aveți grijă în permanență pentru a vă asigura că nu pătrund materii străine, altfel sau pot rezulta pagube grave.

- Îndepărtați șurubul **2** și garnitura **1** de pe placa de acoperire din plastic **4** de pe rezervorul intensificatorului.
- Turnați uleiul de amorsare în rezervor până la aproximativ 1/2" (12 mm) de la partea superioară.
- Înlocuiți șurubul **2** și garnitura **1**.
- Conectați unitatea de intensificare la alimentarea cu aer. Îndepărtați șurubul de pe rezervor.
- Cu unitatea pistol 07536 montată pe unitatea de intensificare și ținută sub nivelul unității de intensificare, deșurubați șurubul de aerisire **64** din ansamblul bușonului de aerisire **43** de pe unealta 07536 două ture și lăsați uleiul să iasă din unealtă.
- Atunci când uleiul curge liber și fără bule de aer, strângeți șurubul de aerisire.
- Umpleți rezervorul de pe unitatea de intensificare cu ulei de amorsare.
- Acționați unealta până când orice bule de aer prezente în ulei sunt expulzate în rezervorul de ulei.

Numerele de articole cu caractere **aldine** se referă la lista generală de asamblare și de piese de la paginile 124-127.

8. DIAGNOZA ERORILOR

SIMPTOM	CAUZA POSIBILĂ	REMEDIERE	REF. PAGINĂ
Unealta nu va monta nitul	Presiune scăzută a aerului.	Creșteți presiunea aerului	
	Lipsă de lubrifiere.	Lubrificați unealta în punctul de admisie a aerului	
	Sarcină mare.	Verificați prinderea nitului și dimensiunea orificiului de aplicare	
	Verificați mărimea corectă a tije de nit.		
	Fălci de coadă sunt fost oprite.	Porniți fălci de coadă	
	Există aer în sistemul hidraulic.	Consultați „Procedura de amorsare”	129
„Alunecarea tije de nit” - fălci nu vor prinde tija de nit	Fălci de coadă uzate sau murdare.	Curățați sau înlocuiți după cum este necesar	
	Presiune/volum insuficient al aerului.	Creșteți presiunea/volumul aerului	
	Comutatorul fălci de coadă nu funcționează.	Înlocuiți comutatorul	
	Pierderi de aer la fălci de coadă.	Schimbați inelele „O” de la pistonul 11	
	Tijă de nit ruptă și care nu ajunge la fălci de coadă.	Înlocuiți tija de nit	
	Defecțiune în caseta de comandă pneumatică.	Contactați personalul Stanley Engineered Fastening	
Fălci nu vor elibera tija de nit	Fălci de coadă sau carcasă a fălci murdare.	Curățați și lubrificați	
	Comutator al fălci defect.	Înlocuiți inelele „O”	
	Semnal de aer reținut	Verificați conductele pneumatice	
	Defecțiune la caseta de comandă pneumatică	Contactați personalul Stanley Engineered Fastening	
Niturile nu vor trece prin fălci de vârf	Fălci de coadă nu sunt pornite.	Porniți fălci de coadă	
	Fălci de coadă uzate.	Schimbați fălci de coadă	
	Orientarea cursorului este incorectă.	Montați la loc, asigurând orientarea corectă	
	Cursor incorect	Montați cursorul corect	
	Fălci de vârf incorecte.	Montați fălci corecte ale vârfului	
	Arcul de tijă de nit nu este montat.	Montați arcul de tijă de nit corect	
	Lungimea ghidajului tije de nit	Montați ghidajul de tijă de nit corect	
	Spațiu incorect între capul de nit și fălci de vârf la încărcare.	Setați distanța la 1,5mm – 3mm (1/16” – 1/8”) Consultați „Încărcarea uneltei”	117-118
	Blocarea cursorului.	Curățați cursorul și ungeți-l cu ulei	
	cursor de aer uzat	Schimbați cursorul	
	A fost montat un arc necorespunzător de tijă de nit.	Montați arcul de tijă de nit corect	
	Arc de revenire a cilindrului uzat sau rupt	Înlocuiți arcul de revenire a cilindrului	
Uzură excesivă a fălci de coadă	Sarcină mare.	Verificați dimensiunea și grosimea orificiului de aplicare și capacitatea de prindere a nitului	
Alimentarea cu mai mult de un element de fixare	Alunecarea tije de nit.	Verificați „Alunecarea tije de nit”, etapa 2	
	Spațiu incorect între capul de nit și fălci de vârf la încărcare	Setați distanța la 1,5mm – 3mm (1/16” – 1/8”) Consultați „Încărcarea uneltei” de la pagina	117-118

Alte simptome sau probleme trebuie raportate la distribuitorul autorizat Stanley Engineered Fastening sau la un centru de reparații.

OBSERVAȚII

9. DECLARAȚIE DE CONFORMITATE CE

Noi, **Stanley Engineered Fastening, Stanley House, Works Road, Letchworth Garden City, Hertfordshire, SG6 1JY MAREA BRITANIE**, declarăm pe propria răspundere că produsul:

Descriere: Unealtă de repetiție hidropneumatică pentru nituri rapide

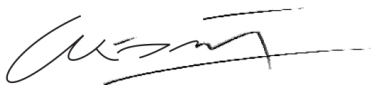
Model: 07536

la care face referire această declarație, este conform cu următoarele standarde armonizate:

ISO 12100:2010	ISO 3744:2010
ISO 11202:2010	EN ISO 11148-1:2011
ISO 4413:2010	BS EN 28662-1:1993
ISO 4414:2010	EN ISO 20643:2008+A1:2012
EN ISO 28927-5:2009+A1:2015	ES100118-rev 17:2017

Documentația tehnică este alcătuită în conformitate cu Anexa VII, în conformitate cu următoarea directivă: **2006/42/CE**
Directiva privind utilajele (Instrumente statutare 2008 nr. 1597 - Ref Regulamentul privind Furnizarea de mașini (Siguranța)).

Subsemnatul face această declarație în numele STANLEY Engineered Fastening



A. K. Seewraj
Director tehnic, UK

Avdel UK Limited, Stanley House, Works Road, Letchworth Garden City, Hertfordshire,
SG6 1JY MAREA BRITANIE

Locul emiterii: Letchworth Garden City, UK

Data emiterii: 01-01-2021

Subsemnatul este responsabil pentru întocmirea dosarului tehnic pentru produsele comercializate în Uniunea Europeană și face această declarație în numele Stanley Engineered Fastening.

Matthias Appel

Coordonator Documentație tehnică

Stanley Engineered Fastening, Tucker GmbH, Max-Eyth-Str.1,
35394 Gießen, Germania



Acest dispozitiv este în conformitate cu
Directiva pentru echipamente tehnologice 2006/42/CE

STANLEY
Engineered Fastening

10. DECLARAȚIE DE CONFORMITATE UK

Noi, **Stanley Engineered Fastening, Stanley House, Works Road, Letchworth Garden City, Hertfordshire, SG6 1JY MAREA BRITANIE**, declarăm pe propria răspundere că produsul:

Descriere: Unealtă de repetiție hidropneumatică pentru nituri rapide

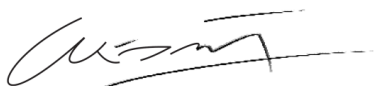
Model: 07536

la care face referire această declarație, este conform cu următoarele standarde specificate:

ISO 12100:2010	ISO 3744:2010
ISO 11202:2010	EN ISO 11148-1:2011
ISO 4413:2010	BS EN 28662-1:1993
ISO 4414:2010	EN ISO 20643:2008+A1:2012
EN ISO 28927-5:2009+A1:2015	ES100118-rev 17:2017

Documentația tehnică este realizată în conformitate cu Regulamentul privind furnizarea de echipamente tehnologice (siguranță) 2008, SI 2008/1597 (cu modificările ulterioare).

Subsemnatul face această declarație în numele STANLEY Engineered Fastening



A. K. Seewraj
Director tehnic, UK

Avdel UK Limited, Stanley House, Works Road, Letchworth Garden City, Hertfordshire,
SG6 1JY MAREA BRITANIE

Locul emiterii: Letchworth Garden City, UK

Data emiterii: 01-01-2021



Acest dispozitiv este în conformitate cu
Regulamentul privind furnizarea de mașini (siguranță) 2008,
S.I. 2008/1597 (cu modificările ulterioare)

11. PROTEJAȚI-VĂ INVESTIȚIA!

Stanley® Engineered Fastening GARANȚIE UNEALTĂ DE NITUIT

STANLEY® Engineered Fastening garantează că toate uneltele electrice au fost fabricate cu grijă și că nu prezintă defecte de material și de manoperă în utilizarea normală pentru o perioadă de un (1) an.

Această garanție este valabilă de la data achiziției uneltei și doar în cazul utilizării conform specificațiilor.

Excluderi:

Uzura și deteriorarea în condiții normale.

Întreținerea periodică, reparațiile și înlocuirea pieselor datorită uzurii și deteriorării normale sunt excluse din această garanție.

Abuzul și neglijența.

Defectele sau deteriorările care apar în urma unei operări inadecvate, depozitări inadecvate, accident, abuz sau neglijență sunt excluse din această garanție.

Servisarea sau modificările neautorizate.

Defectele sau deteriorările care rezultă din servisare, testarea de reglaje, instalare, întreținere, transformare sau modificare în orice fel de către oricine în afară de STANLEY® Engineered Fastening, sau de centrele sale autorizate de service, sunt excluse din această garanție.

Toate celelalte garanții, indiferent dacă sunt explicite sau implicite, inclusiv garanțiile de vandabilitate sau adecvare pentru un anumit scop sunt excluse din această garanție.

În cazul în care această unealtă se defectează în termenul și condițiile garanției, returnați imediat unealta către cel mai apropiat centru autorizat de service. Pentru lista centrelor autorizate de service STANLEY® Engineered Fastening din SUA sau Canada, contactați-ne gratuit la telefonul (877)364 2781.

În afara SUA și Canada, accesați site-ul nostru web **www.StanleyEngineeredFastening.com** pentru a găsi cea mai apropiată locație STANLEY Engineered Fastening.

STANLEY Engineered Fastening va înlocui, fără costuri suplimentare, orice piesă sau orice piese care sunt identificate ca fiind defecte datorită materialului sau manoperei și va returna unealta către client. Aceasta reprezintă obligația noastră în baza acestei garanții.

În niciun caz STANLEY Engineered Fastening nu va fi răspunzătoare pentru orice consecință sau daune cauzate de achiziționarea sau utilizarea acestei unelte.

Înregistrați-vă online unealta pentru nituit.

Pentru a vă înregistra garanția online, vizitați-ne la adresa

<https://www.stanleyengineeredfastening.com/support/warranty-registration-form>

Vă mulțumim pentru că ați ales o unealtă marca STANLEY® Engineered Fastening's Stanley Assembly Technologies.

©2021 Stanley Black & Decker, Inc.
Minden jog fenntartva.

A megadott információkat lemásolni és/vagy közzétenni semmilyen eszközzel és semmilyen szándékkal nem megengedett a STANLEY Engineered Fastening előzetes írásbeli engedélye nélkül. A megadott információk ezen termék bevezetésének időpontjában ismert adatokon alapulnak. A STANLEY Engineered Fastening üzletpolitikájának része a folyamatos termékfejlesztés, ezért a termékekben változások történhetnek. A megadott információk csak a STANLEY Engineered Fastening által szállított eredeti állapotú termékekre vonatkoznak. A STANLEY Engineered Fastening ezért nem felelős a termék eredeti műszaki jellemzőitől való eltérések okozta károkért.

A rendelkezésre álló adatokat a legnagyobb gondossággal állítottuk össze. A STANLEY Engineered Fastening viszont nem vállal felelősséget az adatok esetleges hibáiért és azok következményeiért. A STANLEY Engineered Fastening nem vállal felelősséget harmadik fél által végzett tevékenységből származó károkért. A STANLEY Engineered Fastening által használt munkanevek, márkanevek, bejegyzett márkanevek stb. nem tekinthetők szabadon használhatónak, azokra is a márkanevek védelmére vonatkozó jogszabályok érvényesek.

1. BIZTONSÁGI DEFINÍCIÓK	136
1.1 ÁLTALÁNOS BIZTONSÁGI SZABÁLYOK.....	136
1.2 REPÜLŐ ANYAGDARABOK OKOZTA VESZÉLYEK.....	136
1.3 ÜZEMELTETÉSBŐL EREDŐ VESZÉLYEK.....	137
1.4 ISMÉTLŐDŐ MOZDULATOK OKOZTA VESZÉLYEK.....	137
1.5 TARTOZÉKOK OKOZTA VESZÉLYEK.....	137
1.6 MUNKAHELYI VESZÉLYEK	137
1.7 ZAJVESZÉLY.....	137
1.8 REZGÉSVESZÉLY.....	138
1.9 A PNEUMATIKUS ÉS HIDRAULIKUS SZERSZÁMOKRA VONATKOZÓ TOVÁBBI BIZTONSÁGI UTASÍTÁSOK.....	138
2. MŰSZAKI ADATOK	139
2.1 A(Z) 07536 SZERSZÁM MŰSZAKI LEÍRÁSA.....	139
2.2 A(Z) 07531 NYOMÁSFOKOZÓ MŰSZAKI LEÍRÁSA	139
3. RENDELTETÉS	140
3.1 SZERSZÁMMÉRETEK - 07536 TÍPUS	140
4. ÜZEMBE HELYEZÉS	141
4.1 LEVEGŐELLÁTÁS.....	141
4.2 LEVEGŐ VÉDŐBETÉT	142
4.3 A SZERSZÁM BETÖLTÉSE ÉS ÚJRATÖLTÉSE	142
4.4 A BERENDEZÉS MŰKÖDTETÉSE.....	144
5. A SZERSZÁM KARBANTARTÁSA.....	145
5.1 PNEUMATIKUS VEZÉRLŐSZEKRENY	145
5.2 NAPONTA.....	145
5.3 HETENTE.....	145
5.4 MOLY LÍTIUMOS KENŐZSÍR EP 3753 BIZTONSÁGI ADATOK.....	145
5.5 SZERVIZKÉSZLET	146
5.6 LEVEGŐ VÉDŐBETÉT, NYOMÁSFOKOZÓ ÉS VEZÉRLŐSZEKRENY SZERELVÉNYE 07536-02100	147
6. KARBANTARTÁS.....	148
6.1 A(Z) 07536-02200 SZÉTSZERELÉSE.....	148
6.2 A SZERELŐSZERSZÁM ÁLTALÁNOS ÖSSZESZERELÉSE 07536-02200	151
6.3 A SZERELŐSZERSZÁM ALKATRÉSZLISTÁJA 07536-02200.....	152
6.4 SZÉTSZERELÉSI UTASÍTÁSOK.....	153
6.5 KÖRNYEZETVÉDELEM.....	154
6.6 NYOMÁSFOKOZÓ 07531-02200	154
7. FELTÖLTÉS OLAJJAL.....	156
7.1 AZ OLAJ ADATAI	156
7.2 HYPIN® VG 32 ÉS AWS 32 OLAJ BIZTONSÁGI ADATOK	156
7.3 FELTÖLTÉS OLAJJAL.....	156
8. HIBAMEGÁLLAPÍTÁS	157
9. EK MEGFELELŐSÉGI NYILATKOZAT	159
10. EGYESÜLT KIRÁLYSÁGI MEGFELELŐSÉGI NYILATKOZAT	160
11. VÉDJE BEFEKTETÉSÉT!.....	161



A jelen kezelési útmutatót a szerszámot üzembe helyező vagy használó minden személynek el kell olvasnia, különös tekintettel a biztonsági útmutatásokra.



A szerszám használata közben mindig viseljen ütésálló szemvédőt. A szükséges védelmi fokozatot minden használatnál fel kell mérni.



Használjon hallásvédőt a munkáltató utasításainak megfelelően, illetve a munkahelyi egészségvédelmi és biztonsági előírások szerint.



A szerszám használata a kezelő kezét veszélyeknek teheti ki, ideértve a zúzódást, az ütések, a vágásokat, a kopást és a hőt. A keze védelméhez viseljen megfelelő védőkesztyűt.

1. BIZTONSÁGI DEFINÍCIÓK

Az alábbi definíciók az egyes figyelmeztető szavakhoz társított veszély súlyosságára utalnak. Kérjük, olvassa el a kézikönyvet, és figyeljen ezekre a szimbólumokra.

⚠ VESZÉLY: Olyan közvetlen veszélyt jelez, amely halálos vagy súlyos sérülést okoz.

⚠ FIGYELMEZTETÉS: Olyan potenciális veszélyt jelez, amely halálos vagy súlyos sérülést okozhat.

⚠ VIGYÁZAT: Olyan potenciális veszélyhelyzetet jelez, amely könnyű vagy közepesen súlyos sérülést okozhat.

⚠ VIGYÁZAT: Szimbólum nélkül olyan potenciálisan veszélyes helyzetet jelöl, amely anyagi károkkal járhat.

A termék szakszerűtlen használata vagy karbantartása súlyos sérülést és anyagi károkat okozhat. A készülék használata előtt figyelmesen olvasson el minden figyelmeztetést és használati utasítást. Elektromos szerszámok használatakor a személyi sérülés kockázatának csökkentése érdekében be kell tartani az alapvető biztonsági óvintézkedéseket.

ÖRIZZE MEG A FIGYELMEZTETÉSEKET ÉS A HASZNÁLATI ÚTMUTATÓT KÉSŐBBI HASZNÁLATRA

1.1 ÁLTALÁNOS BIZTONSÁGI SZABÁLYOK

- Több veszély fennállása esetén olvassa el és értse meg a biztonsági utasításokat, mielőtt a szerszámot felszereli, üzemelteti, azon javítási, karbantartási munkálatot végez vagy kicseréli tartozékait, illetve mielőtt a annak közelében dolgozna. Ennek elmulasztása súlyos testi sérüléshez vezethet.
- Kizárólag szakképzett operátorok végezhetik a szerszám összeszerelését, beállítását és használatát.
- A STANLEY Engineered Fastening vakszegecs belövő szerszám gép KIZÁRÓLAG rendeltetésének megfelelően használható.
- Csak a gyártó által ajánlott alkatrészeket, kötőelemeket és tartozékokat használja.
- NE végezzen módosítást a szerszámon. A módosítások csökkenthetik a biztonsági intézkedések hatékonyságát és növelhetik a kezelőt esetlegesen érintő veszélyeket. A szerszám bárminemű átalakítása esetén minden felelősség a vásárlót terheli, ez egyben érvényteleníti minden vonatkozó jótállást.
- A biztonsági utasításokat adja át az operátornak.
- Ne használja a műszert, ha az sérült.
- Használat előtt ellenőrizze, hogy a mozgó alkatrészek nem állítottak-e el, nem szorulnak-e és nincsenek-e a szerszámon törött alkatrészek, illetve nem áll-e fenn a szerszám működését nehezítő más körülmény. Ha sérült a szerszám, használat előtt javíttassa meg. Használat előtt a beállító kulcsot vagy csavarkulcsot el kell távolítani.
- A szerszámokat rendszeresen meg kell vizsgálni annak ellenőrzése érdekében, hogy az ISO 11148 irányelv ezen részében előírt besorolások és jelölések olvashatóan meg vannak-e jelölve a szerszámon. A munkáltató/felhasználó köteles felvenni a gyártóval a kapcsolatot, amennyiben cserecímkeket kellene beszerezni.
- A szerszámot mindig üzembiztos állapotban kell tartani, rendszeres időközönként a működését és épségét szakemberrel át kell vizsgáltatni. Szétszerelését csak szakember végezheti. A karbantartási útmutatások előzetes ismerete nélkül ne szerelje szét a szerszámot.

1.2 REPÜLŐ ANYAGDARABOK OKOZTA VESZÉLYEK

- Az orrszerelvény vagy a tartozékok karbantartása, felhelyezése, eltávolítása, illetve beállítása előtt mindig válassza le a szerszámot a levegőellátásról.
- Ügyeljen rá, hogy a munkadarab vagy a tartozékok hibája, illetve akár maga a felhelyezett szerszám az anyagok nagy sebességű kilövellését idézheti elő.
- A szerszám használata közben mindig viseljen ütésálló szemvédőt. A szükséges védelmi fokozatot minden használatnál fel kell mérni.
- A másokat érintő kockázatokat szintén ilyenkor kell felmérni.
- Ellenőrizze, hogy a munkadarab megfelelően rögzítve van-e.

- Ellenőrizze, hogy a kötőelem és/vagy a túske kilökődése elleni védelem a helyén van-e és működik-e.
- Figyelmeztesse környezetét arra, hogy a szerszám elejénél előfordulhat, hogy a szegecstüskék erőteljesen kilökődnek.
- Működő szerszámot TILOS más(ok) felé irányítani.

1.3 ÜZEMELTETÉSBŐL EREDŐ VESZÉLYEK

- A szerszám használata a kezelő kezét veszélyeknek teszi ki, ideértve a zúzódást, az ütéseket, a vágásokat, a kopást és a hőt. A keze védelméhez viseljen megfelelő védőkesztyűt.
- A kezelőknek és a karbantartó személyzetnek fizikailag képeseknek kell lenniük a szerszám tömegének, súlyának és teljesítményének kezelésére.
- Tartsa megfelelően a szerszámot; álljon készen a megszokott vagy hirtelen mozdulatok ellensúlyozására, mindkét keze álljon rendelkezésre.
- A fogantyúkat szárazon, tisztán, olajtól és zsírtól mentesen tartsa.
- Testhelyzete mindig legyen kiegyensúlyozott és rögzítse lábait a szerszám használata során.
- Engedje el az indító és leállító készüléket, ha a hidraulika-ellátás megszakad.
- Kizárólag a gyártó által javasolt kenőanyagokat használja.
- Kerülje a hidraulika folyadékkal való érintkezést. Ha mégis érintkezik a folyadékkal, alaposan mossa le azt, hogy elkerülje a kiütések kialakulásának kockázatát.
- A hidraulikaolajok és kenőanyagok anyagbiztonsági adatlapjainak adatait elkérheti az eszköz beszállítójától.
- Kerülje a nem megfelelő testhelyzeteket, mivel ezek valószínűleg nem teszik lehetővé a szerszám normál vagy váratlan mozgásának ellensúlyozását.
- Ha a szerszám rögzítve van egy felfüggesztő-szerkezeten, ellenőrizze, hogy a rögzítés biztonságos-e.
- Ügyeljen a zúzódás vagy becsípődés veszélyeire, ha az orrszerelvény nincs felszerelve.
- TILOS a szerszámot az orr-rész burkolatának levételével működtetni.
- A munka folytatása előtt elegendő szabad hely álljon a kezelő rendelkezésére.
- Amikor a szerszámot egyik helyről a másikra viszi, kezét tartsa távol a kioldógombtól, hogy ne induljon be véletlenül a szerszám.
- A szerszámot NEM SZABAD leejteni vagy kalapácsként használni.
- Járjon el körültekintően, hogy a felhasznált szegecstüske ne okozzon veszélyes helyzetet.

1.4 ISMÉTLŐDŐ MOZDULATOK OKOZTA VESZÉLYEK

- A szerszám használatakor a kezelő kényelmetlenséget tapasztalhat a kéz, a kar, a vállak, a nyak környékén vagy a test más részein.
- A szerszám használata közben a kezelőnek kényelmes testtartást kell felvennie, miközben biztonságos kell tartania lábait, és kerülnie kell a kényelmetlen vagy kiegyensúlyozatlan testhelyzeteket. Hosszabb feladatok esetén a kezelőnek helyzetet kell változtatnia, ez segíthet a diszkomfort- és fáradtságérzeten.
- Ha a kezelő olyan tüneteket tapasztal, mint tartós vagy ismétlődő diszkomfort, fájdalom, lüktetés, sajgás, bizsergés, zibbadás, égő érzés vagy merevség, ezeket a figyelmeztető jeleket nem szabad figyelmen kívül hagyni. Az operátornak ezt jeleznie kell a munkáltató felé és egyeztetnie kell egészségügyi szakemberrel.

1.5 TARTOZÉKOK OKOZTA VESZÉLYEK

- Az orrszerelvény, ill. a tartozékok felhelyezése vagy eltávolítása előtt válassza le a szerszámot a levegőellátásról.
- Kizárólag a szerszám gyártója által javasolt méretű és típusú tartozékokat és fogyóeszközöket használjon; Ne használjon más típusú vagy méretű tartozékokat vagy fogyóeszközöket.

1.6 MUNKAHELYI VESZÉLYEK

- A munkahelyi sérülések legfőbb okai a megcsúszások, a botlások és az esések. Vegye figyelembe a szerszám használatából eredően csúszóssá váló felületeket, valamint a légvezeték vagy a hidraulikus tömlő által okozott botlásveszélyeket.
- Óvatosan járjon el ismeretlen környezetben. Felmerülhetnek nem ismert veszélyek, például elektromos- vagy más közművezetékekből eredően.
- A szerszám nem alkalmas robbanásveszélyes környezetben való használatra, és nincs szigetelve az elektromos árammal való érintkezés ellen.
- Ügyeljen arra, hogy ne legyenek olyan elektromos kábelek, gázvezetékek stb., amelyek veszélyt okozhatnak, ha a szerszám használatából eredően megrongálódnak.
- Viseljen megfelelő ruházatot. Ne hordjon ékszert vagy laza ruházatot munkavégzés közben. Haját, ruháját és kesztyűjét tartsa távol a mozgó alkatrészekről. A laza ruházat, az ékszerek vagy a hosszú haj beleakadhatnak a mozgó alkatrészekbe.
- Járjon el körültekintően, hogy a felhasznált szegecstüske ne okozzon veszélyes helyzetet.

1.7 ZAJVESZÉLY

- A magas zajszint hatása tartós, hallásvesztést és egyéb problémákat okozhat, például fülzúgást (csengés, zümmögés, fütyülés vagy zúgás a fülben). Ezért elengedhetetlen a kockázatértékelés és a veszélyek megfelelő ellenőrzése.
- A kockázat csökkentésére szolgáló megfelelő ellenőrző intézkedések magukban foglalhatják például a csillapító anyagokat, hogy megakadályozzák a munkadarabok „csengését”.

- Használjon hallásvédőket a munkáltató utasításainak megfelelően, illetve a munkahelyi egészségvédelmi és biztonsági előírások szerint.
- A szerszám működtetését és karbantartását a használati utasításban foglaltak szerint végezze, hogy elkerülje a zajsint szükségtelen növekedését.

1.8 REZGÉSVESZÉLY

- A rezgésnek való kitettség káros lehet az idegek és a kezek, a karok vérellátására.
- Ha hideg körülmények között dolgozik, viseljen meleg ruhát, és tartsa a kezét melegen és szárazon.
- Ha zsibbadást, bizsergést, fájdalmat vagy fehéredést tapasztal az ujjain vagy kezén, hagyja abba az eszköz használatát, jelezze munkáltatójának és konzultáljon orvosával.
- Amennyiben megoldható, támassza alá a szerszám súlyát egy állványban, feszítőben vagy kiegyenlítőben, így könnyebb lehet megfogni az eszközt annak megtartásához.

1.9 PNEUMATIKUS SZERSZÁMGÉPEKRA VONATKOZÓ, KIEGÉSZÍTŐ BIZTONSÁGI UTASÍTÁSOK

- Az üzemi tápnyomásnak nem szabad 7 bar (100 PSI) felett lennie.
- A nyomás alatt lévő levegő súlyos sérüléseket okozhat.
- Működésben levő szerszámot soha ne hagyjon felügyelet nélkül. Ha a szerszám nincs használatban, akkor tartozékcseré vagy javítási munkálatok elvégzése előtt válassza le a légtömlőt.
- NE állítsa a szegecstüske-gyűjtő elszívó nyílását a gépkezelő vagy más személyek irányába. A levegőt soha ne irányítsa saját maga vagy mások felé.
- A visszacsapódó tömlők súlyos sérüléseket okozhatnak. Mindig ellenőrizze, hogy nincs-e sérült vagy laza tömlő, illetve szerelvény a rendszerben.
- Használat előtt a levegővezetékek épségét meg kell vizsgálni, minden csatlakozásnak biztonságosnak kell lennie. Ne tegyen nehéz tárgyakat a tömlőkre. Az éles ütődés okozta belső sérülés miatt a tömlő idő előtt tönkremehet.
- A hideg levegőt a kezeitől elfelé irányítsa.
- Ha univerzális csavarkötéseket (körmös csatlakozókat) használnak, akkor rögzítőcsapokat kell felszerelni, és whipcheck biztonsági kábeleket kell használni a tömlő-szerszám vagy a tömlő-tömlő csatlakozás esetleges meghibásodása ellen.
- NE emelje meg a belövő szerszámot a tömlőnél fogva. Mindig a belövő szerszám fogantyúját használja.
- A szellőző nyílásokat nem szabad akadályozni, nem szabad letakarni.
- A szerszám hidraulikus rendszerébe piszok, idegen anyag nem kerülhet, ez üzemi hibát okoz a gépben.

⚠ FIGYELMEZTETÉS: Habár a tüskék normál, megfelelő használata során természetesen előfordul kismértékű kopás és foltok, az esetleges túlzott mértékű kopást és szennyeződést rendszeresen ellenőrizni kell, különös figyelmet fordítva a fej átmérőre, a száron a hátsó szorítópofa-befogás területére, illetve a szár nagymértékű lepattogzására, valamint a tüske torzulásaira. A használat során tönkremenő tüskéket mindenképpen ki kell szedni a szerszámból. Az ügyfél felelőssége odafigyelni arra, hogy a tüskék még a túlzott mértékű kopásuk előtt, de mindenképp a maximális ajánlott belövési szám elérése előtt ki legyenek cserélve. Forduljon a STANLEY Engineered Fastening képviselőhöz, aki a kalibrált mérőeszközünkkel az alkalmazás üregelési terhelésének megmérése révén tájékoztatni fogja a pontos számról.

A STANLEY Engineered Fastening egyik irányelve a folyamatos termékfejlesztés, és fenntartjuk annak jogát, hogy bármelyik termékünk műszaki jellemzőit előzetes értesítés nélkül is módosíthassuk.

2. MŰSZAKI ADATOK

2.1 A(Z) 07536 SZERSZÁM MŰSZAKI LEÍRÁSA

Légnyomás	Minimum- Maximum	5–7 bar (70 - 100 fonterő/négyzethüvelyk)
Szükséges szabad légmennyiség	@ 5,1 bar nyomáson 75 fonterő/hüvelyk ²	2,6 liter (0,09 ft ³)
Lökethossz	Minimum	25 mm (1 hüvelyk)
Húzóerő	@ 5,5 bar nyomáson 80 fonterő/hüvelyk ²	3,89 kN (875 lbf)
Ciklusidő	Megközelítőleg	1 másodperc
Súly	Pisztoly	1,2 kg (2,64 font)

2.2 A(Z) 07531 NYOMÁSFOKOZÓ MŰSZAKI LEÍRÁSA

Légnyomás	Minimum- Maximum	5–7 bar (70 - 100 fonterő/négyzethüvelyk)
Erősítési tényező		32:1

Az ISO 15744 és az ISO 3744 zajvizsgálati kód szerint meghatározott zajértékek.		07536
A-súlyozott hangteljesítményszint dB (A), L _{WA}	Zaj bizonytalanság: k _{WA} = 2.3 dB(A)	79.5 dB(A)
A-súlyozott emissziós hangnyomás szint a munkaállomáson dB(A), L _{pA}	Zaj bizonytalanság: k _{pA} = 2.3 dB(A)	68.5 dB(A)
C-súlyozott csúskibocsátási hangnyomásszintje dB(C), L _{pC'} csúcs	Zaj bizonytalanság: k _{pC} = 2.5 dB(C)	96.9 dB(C)
Az ISO 20643 és az ISO 5349 rezgés kibocsátás szabványok szerint meghatározott rezgésértékek.		07536
Rezgés kibocsátási szint, a _{hd} :	Rezgés bizonytalansági tényező: k = 0.25 m/s ²	0.97 m/s ²
Bejelentett vibrációs kibocsátási értékek az EN 12096 szerint		

3. RENDELTETÉS

A(z) 07536 pneumatikus szerszám könnyű súlyú kéziszerszám, 1/16" Avlug® elemek elhelyezésére készült, ami ideálissá teszi minden iparágban a sorozatszerű vagy futószalagos szerelésre.

A kéziszerszámot és a nyomásfokozót különálló egységként és kombináltan is teszteltük. A berendezések kizárólag együtt használhatók, a megadott célból. A csatlakoztatás részleteiért tekintse át a(z) 141-144. oldalon található „Üzembe helyezés” című részt.

A megjelenített cikkszámok segítségével akár a teljes szerszámot is megrendelheti, kivéve az orrszerelvényt.

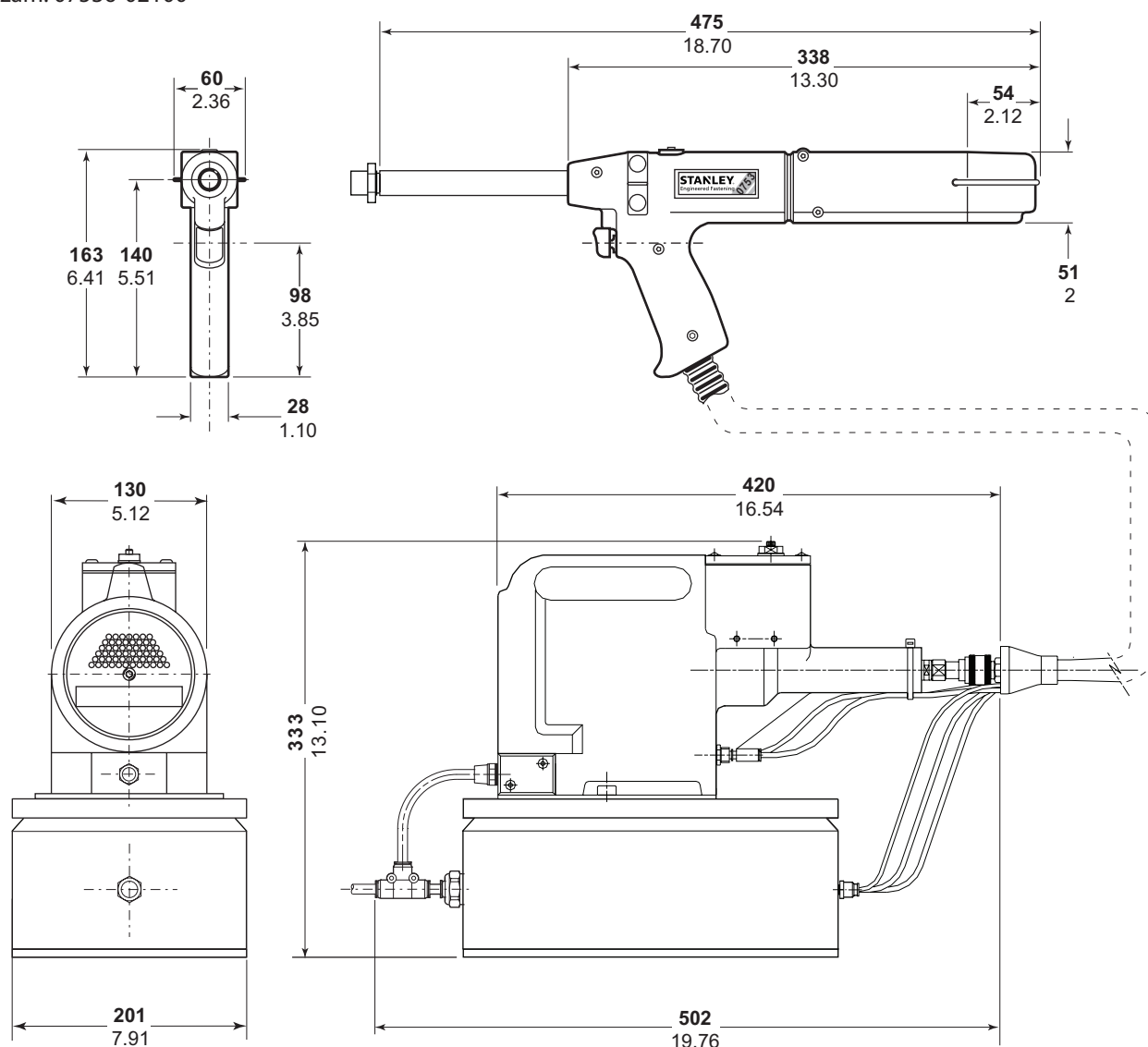
A(z) 07536 szerszám alkatrészszáma 07536-02200.

Az általános összeszerelésre vonatkozóan lásd a(z) 147-155. oldalt.

NE használja nedves környezetben, illetve gyúlékony folyadékok vagy gázok jelenlétében.

3.1 SZERSZÁMMÉRETEK - 07536 TÍPUS

Cikkszám: 07536-02100



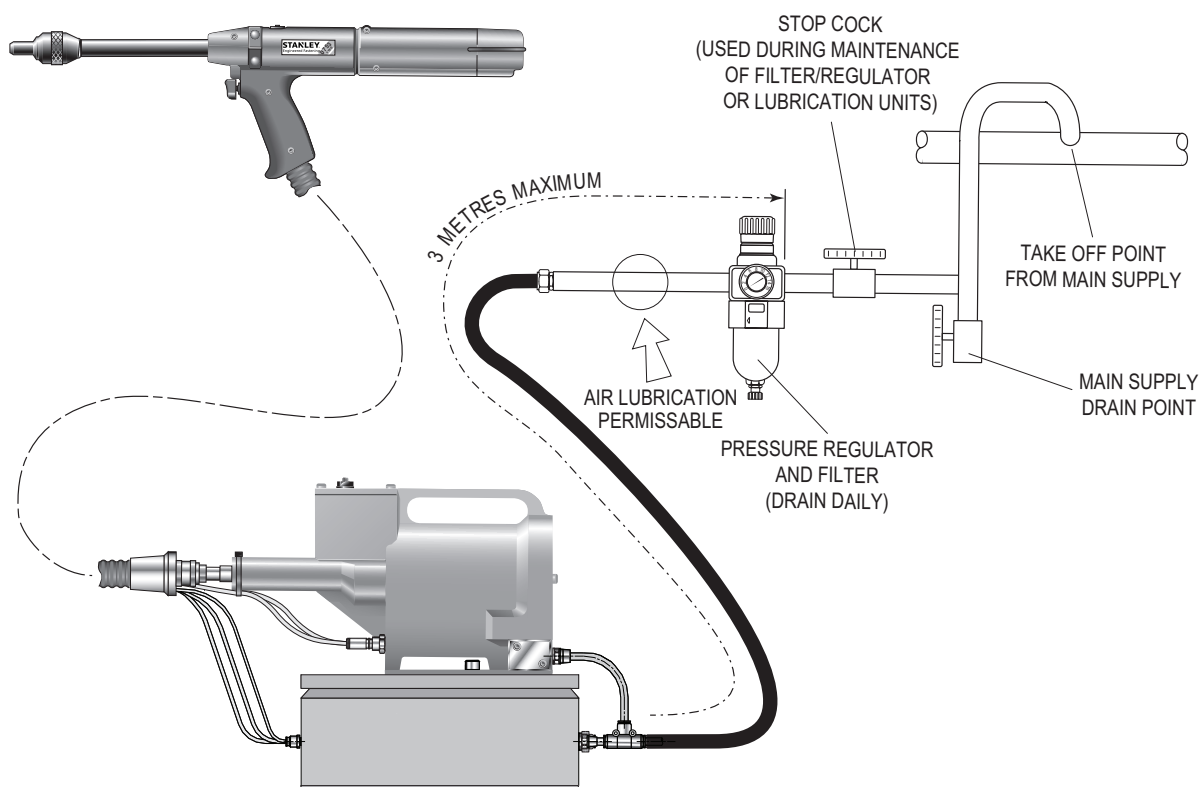
Méretetek mm értékben.

4. ÜZEMBE HELYEZÉS

4.1 LEVEGŐELLÁTÁS

Minden szerszám ideális esetben 5,5 bar nyomású sűrített levegővel működik. A fő levegőellátásra nyomásszabályozók és automatikus olajozó/szűrő rendszerek használatát javasoljuk. A szerszám lehető leghosszabb élettartama, valamint lehető legkevesebb karbantartása érdekében a szerszámtól viszonyítva 3 méteren belül kell felszerelni azt (lásd az alábbi ábrán).

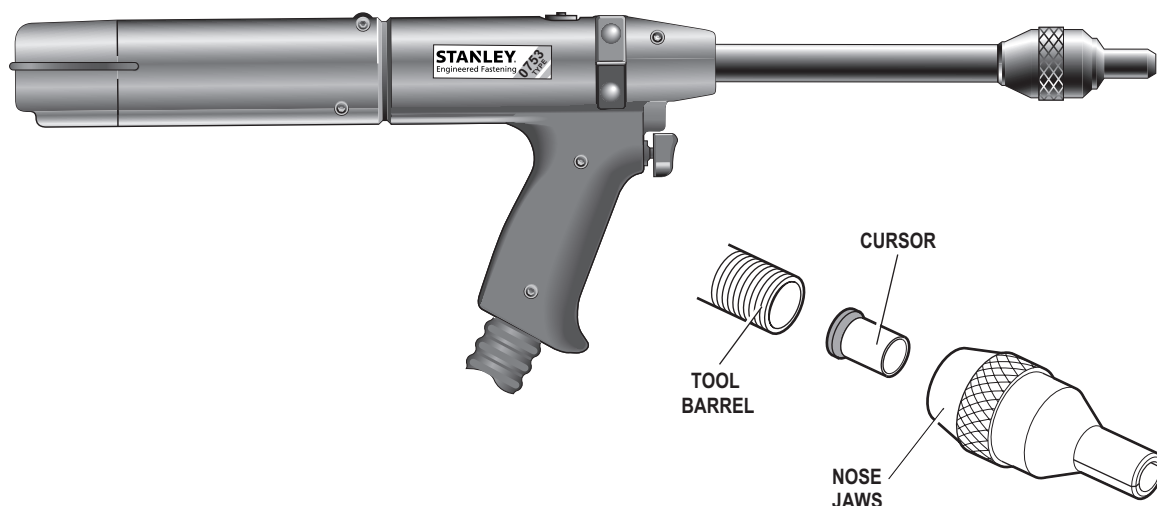
A rendszerben létrejött maximális nyomás 150%-ára vagy 10 bar nyomásra méretezett levegőellátó tömlőket kell használni, attól függően, hogy melyik a nagyobb. A légtömlőnek olajállónak, a külsejének kopásálló kell lennie, továbbá páncélozottnak kell lennie ott, ahol az üzemi körülmények miatt a tömlők sérülhetnek. Minden levegőellátó tömlőnek legalább 6,4 milliméter vagy 1/4 hüvelyk furatátmérőjűnek KELL lennie.



Végezze el az alábbi lépéseket, amikor a nyomásfokozóhoz és a fő levegőellátáshoz csatlakoztatja a szerszámot:

- Nyomja a nagy hidraulikus tömlő végét a szerszám felől a nyomásfokozó végén található gyorscsatlakozóba.
- A nyomásfokozó elülső oldalán (Olvassa el az alábbi oldalt: 147):
 - Nyomja a kék pneumatikus (4 mm OD) vezeték a nyomáscsökkentő szerelvényére, amely a bal oldali átmenő csatlakozóban található.
 - Nyomja a fekete pneumatikus (4 mm OD) vezeték a jobb oldali átmenő csatlakozó műanyag szorítógyűrűjére.
- A vezérlőszekrény elülső oldalán (Olvassa el az alábbi oldalt: 147):
 - Nyomja be az ezüst pneumatikus (3 mm OD) vezeték a „Védőbetét” feliratú nyomáscsökkentőbe, a vezérlőszekrény elülső felületén. - bal oldal.
 - Nyomja be a zöld pneumatikus (4 mm OD) vezeték a „Hátsó szorítópofo” feliratú nyomáscsökkentőbe, a vezérlőszekrény elülső felületén. - közepén.
 - Nyomja be a fehér pneumatikus (4 mm OD) vezeték a „Jel” feliratú nyomáscsökkentőbe, a vezérlőszekrény elülső felületén. - jobb oldal.
- Illesszen pneumatikus tömlőt a nyomásfokozó hátulján található csatlakozóaljzat és a fő levegőellátás közé.

4.2 LEVEGŐ VÉDŐBETÉT



Levegő védőbetét választék

Az orrszerelvény alkotóelemeit lásd a(z) 07900-00863 számú külön adatlapon.

VÉDŐBETÉT

FONTOS

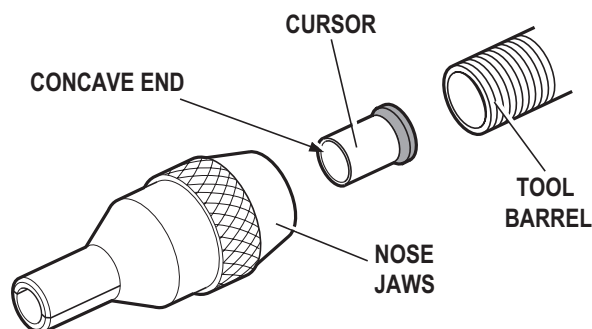
Helytelen beszerelés esetén a védőbetét nem engedi a szerszám betöltését és nem engedi adagolni a rögzítőelemeket.

Ugyan a szerszám szállításakor a védőbetét helyesen lesz beszerelve, az orrszerelvény beszerelése előtt azonban ajánlott ellenőrizni annak elhelyezkedését. A védőbetét kissé konkáv végének a szerszám elülső része felé kell néznie, ahogy az ábrán is látszik.

A védőbetét megfordításához végezze el a következő lépéseket:

Az alábbi művelet végrehajtásakor különösen körültekintően kell eljárni. Ügyeljen rá, hogy elkerülje a csövet és a rajta áthaladó tüskét.

- Ha van, távolítsa el az orrszerelvényt.
- Az üres tüskét teljesen illessze be a szerszámba.
- Zárja le a hátsó szorítópofákat (32) a hátsó szorítópofa (18 és 19) kapcsolójának bekapcsolásával.
- Kis késleltetéssel a védőbetét kiugrik a csőből.
- Nyissa fel a hátsó szorítópofákat (32) a hátsó szorítópofa (18 és 19) kapcsolójának kikapcsolásával. Ez a művelet kioldja a tüskét.
- Távolítsa el a védőbetétet a tüskéről, majd helyezze a védőbetétet a csőbe.



4.3 A SZERSZÁM BETÖLTÉSE ÉS ÚJRATÖLTÉSE

FONTOS

A szerszám betöltési eljárása és az orrszerelvény szerszámra szerelése elengedhetetlen.

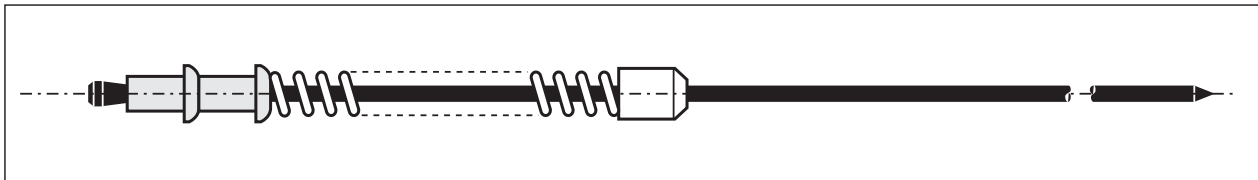
Komplett szerszám vagy rendszer rendelése esetén általában mellékelünk a kötőelem behelyezéséhez szükséges minden orrszerelvényt.

Ha az elülső szorítópofa, a tüskék és a tüskékövető rugók megvannak, akkor nekikezdhethet a szerszám betöltésének és az orrszerelvény felszerelésének az alábbi ábrán látható módon.

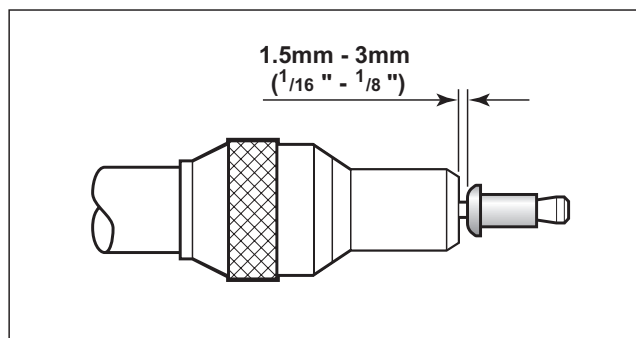
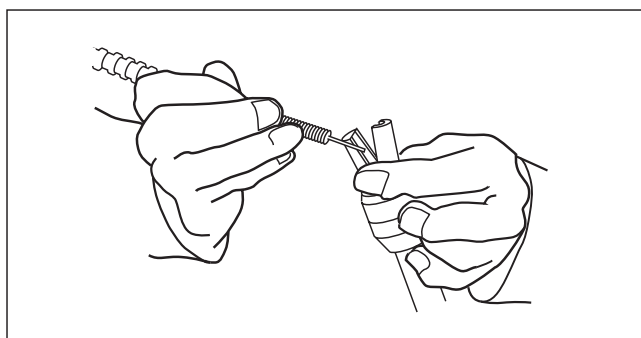
A **félkövérén** szedett tételszámok a(z) 07536-02200 szerszám általános összeállítási és alkatrészjegyzékre utalnak a(z) 151-152. oldalon.

A szerszám megtöltése

- Csatlakoztassa a levegőellátást a szerszámra.
- Nyissa fel a tüskét befogó hátsó szorítóporát (32) a hátsó szorítópofoa kapcsolójának (18 és 19) kikapcsolásával.
- Csavarja rá a kiválasztott elülső szorítóporát (44) a szerszám csövére.
- * Helyezzen be egy tüskét a rögzítőelemek hátsó végébe a papírpárnán át.
- Csúsztassa rá a túskekövető rugót a tüskére, ügyelve a megfelelő irányra.



- A tüske hátsó végét megragadva szakítsa le a papírpárnát a kötőelemek körül.
- Nyissa ki a szorítóporákat vagy a bütykös szorítópofoákon lévő külső gyűrű elfordításával vagy a pofoák végeit kifelé nyomva a bal alsó ábrán látható módon.
- Helyezze be az előzetesen összeszerelt tüskét, a túskekövető rugót és a kötőelemeket a szorítópofoákba, hogy az első behelyezendő kötőelem kiálljon a szorítópofoából.
- Zárja a szorítóporákat, és állítsa be úgy, hogy az első kötőelem 1,5 mm–3 mm (1/16" – 1/8") mértékben álljon ki, amint a jobb oldali ábra mutatja.
- Zárja le a hátsó szorítóporát (32) a hátsó szorítópofoa kapcsolójának bekapcsolásával, hogy az biztosan befogja a tüskét (18 és 19).



A szerszám újratöltése

- Nyissa fel a szerszám hátsó szorítóporait (32) a hátsó szorítópofoa kapcsolójának (18 és 19) kikapcsolásával.
- Nyissa ki az elülső porákat és húzza ki az üres tüskét és a túskekövető rugót a szerszámból.
- Töltse újra az eszközt a fenti utasításokat követve, az alábbi résznél kezdve*.

A szerszám beállítása - Kizárólag állítható orrszerelvények

Helyezze be az előzőleg beszerelt tüskét (lásd „A szerszám betöltése” című fejezetet*) vagy az eldobható tüskét az ütköző ellenében a hátsó szorítópofoa dugattyúszerelvényébe (60).

A tüske megtartásával zárja le a tüskét befogó hátsó szorítóporát (32) a hátsó szorítópofoa kapcsolójának (18 és 19) bekapcsolásával.

Csavarja rá a záróanyát a szerszám csövére (44).

Csavarja az orrszerelvényt a csőre (44).

Állítsa be az orrszerelvényt úgy, hogy az első kötőelem 1,5 mm–3 mm (1/16" – 1/8") mértékben álljon ki, amint a(z) 143. oldali ábra mutatja.

Húzza rá az orrszerelvényre a záróanyát, hogy az orrszerelvény ne tudjon mozogni.

A félkövén szedett tételszámok a(z) 07536-02200 szerszám általános összeállítási és alkatrészjegyzékre utalnak a(z) 151-152. oldalon.

A szerszám újratöltése

Nyissa ki a hátsó szorítópofákat a hátsó szorítópofák kapcsolójával (**18-19**).

Nyissa ki a pofákat és húzza ki az üres tűskét és a tűskekövető rugót a szerszámból.

Helyezze be az új tűskét a szerszámba, az ütköző ellenében, majd zárja le a tűskét befogó hátsó szorítópofát (**32**) a hátsó szorítópofa kapcsolójának (**18** és **19**) bekapcsolásával.

Zárja le a hátsó szorítópofákat (**32**).

4.4 A BERENDEZÉS MŰKÖDTETÉSE**FONTOS**

A szerszám működtetése előtt ellenőrizni kell, hogy a védőbetét iránya és az orrszerelvény rendben van-e.

- Nyomja az elülső pofákból kiálló kötőelemet teljesen a szerszámlyukba, figyelve, hogy derékszögben álljon.
- Működtesse a kioldógombot, de ne engedje fel – a tűskefej a kötőelemen átnyomódva a kötőelemet rögzíti a felhasználási helyére.
- Vegye el a szerszámot.
- Engedje ki a kioldógombot. A következő kötőelem automatikusan megjelenik az elülső pofáknál, beültetésre készen.

5. A SZERSZÁM KARBANTARTÁSA

Rendszeresen karbantartást kell végezni, és évente vagy 500 000 ciklus után – attól függően, hogy melyik következik be hamarabb – teljes körű átvizsgálásra kell sort keríteni.

FONTOS

A munkáltató felelős azért, hogy a szerszám-karbantartási utasításokat megkapják a megfelelő személyek. Az operátort csak megfelelő képzés elvégzése után szabad bevonni a szerszám karbantartásába vagy javításába.

5.1 PNEUMATIKUS VEZÉRLŐSZEKRENY

FONTOS

A pneumatikus vezérlőszekrény semmilyen körülmények között nem nyitható ki. A szekrény lezárt egység. A belső beállításokat már elvégeztük, azokat tilos módosítani. Kizárólag a STANLEY Engineered Fastening engedélyével rendelkező személy szerelheti szét a vezérlőszekrényt.

▲ VIGYÁZAT: A szerszám nemfémes részeit soha ne tisztítsa oldószerrel vagy más erős vegyszerrel. Ezek a vegyszerek meggyengíthetik az alkatrészek anyagát.

5.2 NAPONTA

- Naponta, használat előtt vagy a szerszám első üzembe helyezésekor. Öntsön néhány csepp tiszta kenőolajat a nyomásfokozó légbevezető nyílásába, ha nincs kenőfej felszerelve a levegőellátásra. Folyamatos használat közben a légtömítőt két-három óránként a levegőellátásról le kell csatlakoztatni és a szerszámot meg kell kenni.
- Ellenőrizze a levegő- és olajszivárgást. A kopott, illetve sérült tömlőket és csatlakozókat ki kell cserélni.
- Ha nincs szűrő a nyomásszabályozón, akkor a légvezetékét légtelenítéssel tisztítsa meg a felgyülemllett piszoktól, víztől, mielőtt a tömlőt a nyomásfokozóra csatlakoztatná. Ha van szűrő, mossa ki.
- Ellenőrizze, hogy az orrszerelvény rendben van-e.
- A tüskén rendszeresen figyelje a kopásra, sérülésre utaló jeleket számon tartva a belövések számát (olvassa el a biztonsági utasításokat a [z] 136-138. oldalon).

5.3 HETENTE

- Végezze el a teljes „napi” eljárást a fent leírtak szerint.
- Távolítsa el, vizsgálja meg és tisztítsa meg, valamint kenje be a hátsó pofákat (lásd „A hátsó pofák hengere” című részt a [z] 148. oldalon a „Karbantartás” című fejezetben).
- Ellenőrizze, hogy a nyomásfokozó egység tartályában az olajszint körülbelül 12 mm-rel (1/2") az átlátszó fedőlap alatt van-e.

5.4 MOLY LÍTIUMOS KENŐZSÍR EP 3753 BIZTONSÁGI ADATOK

A kenőanyag rendelhető egyedüli tételként, a cikkszám a(z) 146. oldalon lévő Szervizkészlet című részben található.

Elsősegélynyújtás

BŐR:

Mivel a zsír teljesen vízálló, legjobban jóváhagyott emulgeáló bőrtisztítóval távolíthatja el.

LENYELÉS:

Gondoskodjon arról, hogy az egyes italok 30 ml magnéziumos tejet, lehetőleg egy csésze tejet tartalmazzanak.

SZEMEK:

Irritáló, de nem káros. Öblítse le vízzel és forduljon orvoshoz.

Tűz

GYULLADÁSI HŐMÉRSÉKLET: 220 °C felett.

Nincs gyúlékonynak minősítve.

Megfelelő oltóanyag: Széndioxid, halon vagy vízpermet, ha tapasztalt operátor alkalmazza.

Környezet

Gyűjtse össze égetésre vagy engedélyezett helyen való leselejtezésre.

Kezelés

Használjon bőrvédő krémet vagy olajálló kesztyűt.

Tárolás

Hőtől és oxidálószerrel távol tárolja.

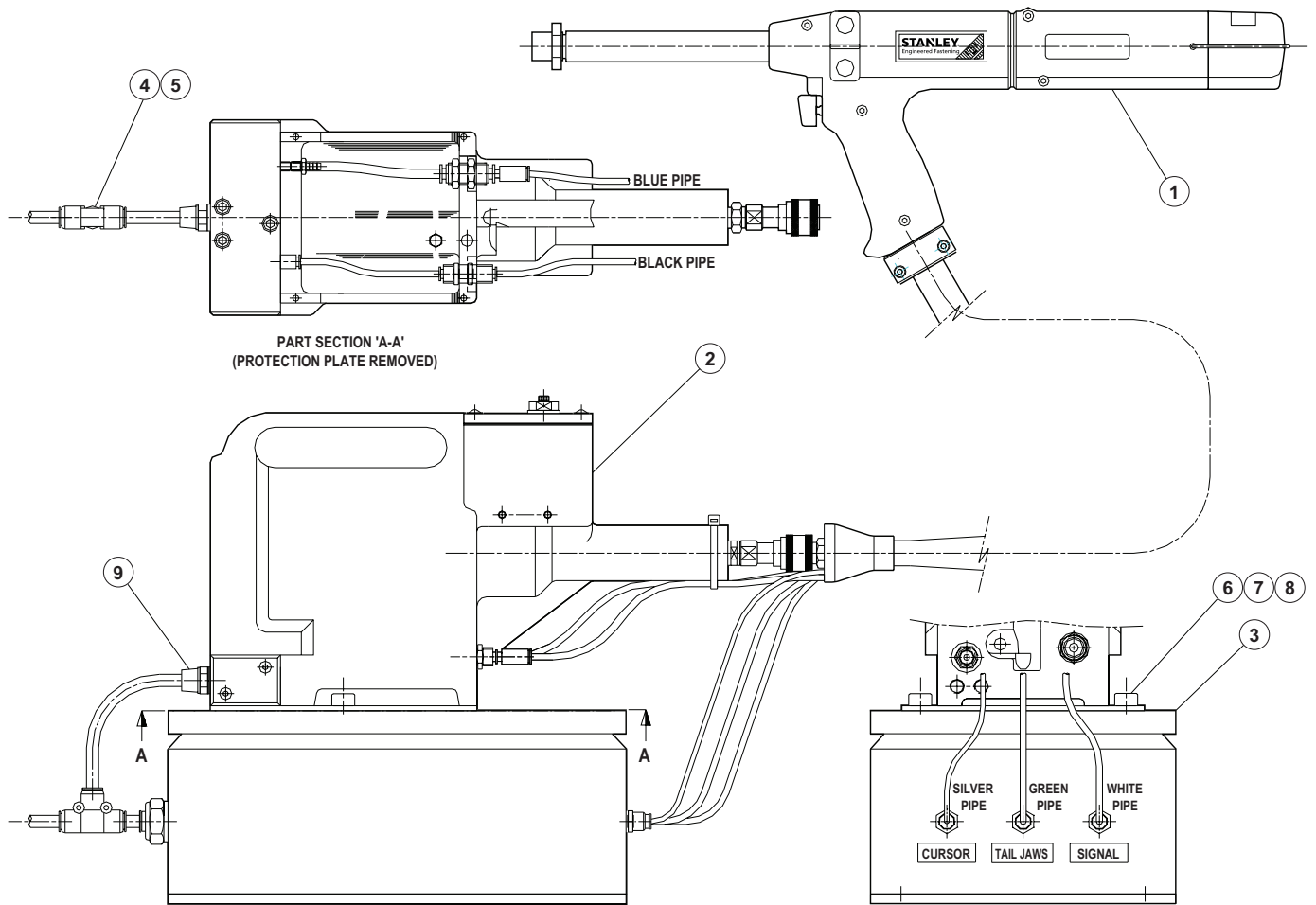
5.5 SZERVIZKÉSZLET

Minden szervizeléshez a szervizkészlet (cikkszám: 07900-05300) használatát javasoljuk.

SZERVIZKÉSZLET					
TÉTEL CIKKSZÁM	LEÍRÁS	N° KI	TÉTEL CIKKSZÁM	LEÍRÁS	N° KI
07900-00157	ZÉGERFOGÓ	1	07900-00352	TÖMÍTÉSELTÁVOLÍTÓ HOROG	1
07900-00006	SPATULA	1	07900-00710	CSŐDUGASZ-ELTÁVOLÍTÓ KULCS	1
07900-00446	KISZEDŐ	1	07900-00725	NEHEZÉK	1
07900-00603	SATUPOFA	1	07900-00243	CSAVARHÚZÓ	1
07900-00520	3/8" ÁTMÉRŐJŰ RÚD	1	07900-00717	NYOMÁSFOKOZÓ VILLÁSKULCS	1
07900-00521	1/4" ÁTMÉRŐJŰ RÚD	1	07900-00013	1/8" IMBUSZKULCS	1
07900-00602	O-GYŰRŰ SZERELÉSÉHEZ VALÓ NEHEZÉK	1	07900-00617	LOCTITE® TÖBBKOMPONENSŰ TÖMÍTÉS 574, 50 ml-es KISZERELÉS	1
07900-00595	18 mm VILLÁSKULCS	1	07900-00469	2,5 mm IMBUSZKULCS	1
07900-00434	32 mm VILLÁSKULCS	1	07900-00351	3 mm IMBUSZKULCS	1
07900-00237	3/8" × 5/16" B.S.W. VILLÁSKULCS	1	07900-00224	4 mm IMBUSZKULCS	1
07900-00012	9/16" × 5/8" VILLÁSKULCS	1	07900-00225	5 mm IMBUSZKULCS	1
07900-00008	7/16" × 1/2" VILLÁSKULCS	1	07992-00020	80 g TIN MOLY LÍTIUMOS KENŐZSÍR EP 3753	1

Megjegyzés: A kulcsméreteket „a villák közötti” távolsággal mérik, hacsak másképp nem határozzák meg.

5.6 LEVEGŐ VÉDŐBETÉT, NYOMÁSFOKOZÓ ÉS VEZÉRLŐSZEKRÉNY SZERELVÉNYE 07536-02100



TÉTEL	ALKATRÉSZSZÁM	LEÍRÁS	No KI
1	07536-02200	LEVEGŐ VÉDŐBETÉT KÉZISZERSZÁM	1
2	07531-02200	NYOMÁSFOKOZÓ KÉZISZERSZÁM	1
3	07007-02024	LEVEGŐ VÉDŐBETÉT VEZÉRLŐSZEKRÉNY	1
4	07005-10071	T-CSATLAKOZÓ	1
5	07005-10072	8 MM-ES CSŐ (2,50 M)	1
6	74405-12080	MÓDOSÍTOTT M8 ILLESZTŐANYA	8
7	07001-00469	M8 × 15 HATLAPFEJŰ CSAVAR	2
8	07002-00105	M8 ALÁTÉT	4
9	07005-01573	APA CSATLAKOZÓ 8 MM CSŐ	1
10	07005-01977	APA/ANYA NYOMÁSCSÖKKENTŐ 6 MM/4 MM	1

6. KARBANTARTÁS

500 000 ciklusonként teljesen szét kell szerelni a szerszámot és új komponenseket kell használni, ha azok elkoptak, megsérültek vagy ez a javasolt. Az összes O-gyűrűt és tömítést ki kell cserélni és az összeszerelés előtt meg kell kenni EP 3753 Moly lítium zsírral.

FONTOS

A biztonsági utasítások a 4. oldalon találhatóak.

A munkáltató felelős azért, hogy a szerszám-karbantartási utasításokat megkapják a megfelelő személyek. Az operátort csak megfelelő képzés elvégzése után szabad bevonni a szerszám karbantartásába vagy javításába.

A légvezetéket le kell választani, mielőtt bármilyen szervizelésre vagy szétszerelésre kerülne sor, hacsak kifejezetten más utasítást nem kap.

Minden szétszerelési műveletet tiszta körülmények között javasolt elvégezni.

A szerszám szétszerelése előtt el kell távolítani az orrszerelvényt.

A szerszám teljes szervizeléséhez azt javasoljuk, hogy miután lekapcsolta a hidraulikus tömlőt a nyomásfokozó egységről, illetve a légvezetékeket a nyomásfokozóról és a vezérlőszekrényről, a lentebb jelzett sorrendben haladjon a részszerelvények szétszerelésével, ilyen módon leválasztva a kioldógomb egységet a nyomásfokozó egységről.

Karbantartás előtt el kell távolítani a munkafolyamatok következtében a gépen esetlegesen lerakódott potenciálisan veszélyes anyagokat.

6.1 A(Z) 07536-02200 SZÉTSZERELÉSE

HÁTSÓ SZORÍTÓPOFA HENGERE

- Pattintsa fel kézzel a rögzítő kapcsot (53), majd vegye le a végsapkát (59).
- Távolítson el egy darab hatlapfejű csavart (6) imbuszkulccsal* úgy, hogy közben kinyomja a hátsó szorítópofo hengerébe szorult levegőt. Távolítsa el a második hatlapfejű csavart (6).
- Húzza ki a hátsó dugót (50). **Megjegyzés:** A kihúzás megkönnyítésére a dugasz hátoldalán 5 mm-es menet található.
- Húzza ki a hátsó légszorítópofo részegységeit, azaz a szorítópofo kioldógomb-részegységét (60), az ütközőt (52), az O-gyűrűt (12) és a szorítópofofákat (32).
- Húzza ki a hátramaradt alkatrészeket, a rugót (36) és a pofaházat (42).
- A rugó (36) szabad hosszának 38,1 mm-nek (1,5 hüvelyknek) kell lennie. Szükség esetén cserélje ki.
- Távolítsa el a dugattyúszerelvény tömítő O-gyűrűjét (11).
- Csatlakoztassa le a védőbetét harmonika légcsővét (zöld) (49) a könyökcsatlakozóról (22).
- Csatlakoztassa le a védőbetét harmonika légcsővét (ezüst) (38) a tüskés könyökről (30).
- Imbuszkulccsal* távolítsa el a fogantyúöntvényt rögzítő öt darab csavart (3 és 4) valamint a szerszám fogantyújából mind a négy anyát (8).
- A sérülések elkerülésére szorítsa a csövet (44) puha pofákkal* felszerelt satuba.
- Csőkulcs segítségével* csavarozza le a csődugaszt (46) úgy, hogy a cső (44) ne tudjon elfordulni, ezért nyitott végű kulcsot* használjon.
- Húzza ki a hátsó szorítópofo hengerét (47) a szerszámból.
- Távolítsa el az O-gyűrűt (14), a gumis lécet (41) és a cső visszacsapó rugóját (37).
- Az összeszerelés előtt vonja be a hátsó szorítópofofák (32) azon felületét Moly Lithium kenőzsírral, amelyek érintkezésbe kerülnek a pofaházzal (42).
- Fordított sorrendben szerelje össze.

* A(z) 0753 MklI szerelőkészletben található tételekre utal. A teljes listáért lásd a(z) 146. oldalt.

A **vastag** betűvel írt tételszámok az általános összeszerelési és alkatrészjegyzékre vonatkoznak a(z) 151–152. oldalon.

HIDRAULIKUS DUGATTYÚ

- Távolítsa el a szorítópofo hengerét (47) a korábban ismertetett módon.
- Szorítsa a fődarabot (45) puha pofákkal* felszerelt satuba, ügyelve a sérülések elkerülésére, majd oldja ki a löketcsillapítót (40).
- Imbuszkulcs* segítségével lazítsa meg azt a csavart (5), amely a kapcsolótömböt (54) a csőhöz (44) rögzíti.
- Tartsa erősen a szerszámot, majd húzza el a csövet (44) a háztól (45) (kis mennyiségű hidraulikaolaj kifolyhat a fejszerelvénybe).
- Óvatosan távolítsa el a dugattyút (39), hogy a fej furata ne sérüljön.
- Távolítsa el a tömítést (16).
- A tömítést (17) nehéz sérülés nélkül eltávolítani, de tisztítás közben a helyén maradhat (feltéve, hogy a tisztítási folyamat nem érinti azt). Ha azonban a tömítést (17) cserélni kell, az alábbiak szerint járjon el:
- Spatulával* feszítse ki a tömítést (17) a darabból (45), ügyelve arra, hogy ne sértse fel a darab üregét és furatait. Az eltávolított tömítést (17) le KELL selejtezni.
- A tömítés (17) cseréjéhez csavarja ki a légtelenítő dugasz szerelvényét (43), amíg a belső felület egy szintbe nem kerül a darab (45) belső furatával. Ezáltal az új tömítés (17) akadálytalanul behelyezhető a darab (45) hátulján keresztül.
- Ügyeljen a tömítés (17) megfelelő zsírozására és arra, hogy megfelelően zárja körül a hátsó szorítópofokkal szembeni tömítés nyitott végét.
- Fordított sorrendben végezze el az összeszerelést.

KIOLDÓSZERKEZET

- A szerelvény szétszedéséhez/szervizeléséhez távolítsa el a szerszámról a fedelet a korábban leírtak szerint.
- Szerelje le az összes légtömlőt a szerelvényről, ügyelve arra, hogy ne tegyen kárt azokban. Távolítsa el a szerelvényt.
- Villáskulcs* segítségével csavarja ki a rögzítőelemet (34), majd távolítsa el. Figyeljen arra, hogy megőrizze a rugót (31).
- Feszítse le az O-gyűrűt (10), közben figyeljen rá, hogy ne sértse meg a tengely (35) és a rögzítőelem (34) ágyazatát.
- Tisztítsa meg és új O-gyűrűvel (10) szerelje össze a szerelvényt.
- Ellenőrizze a rugó (31) hosszát, a szabad hosszának 12,7 mm-nek (0,5 hüvelyknek) kell lennie - szükség esetén cserélje ki.
- Fordított sorrendben szerelje össze.

A HÁTSÓ SZORÍTÓPOFA NYITÓ/ZÁRÓSZELEPE

- Az egység úgy készült, hogy minimális szervizelésre legyen szükség a szerszám élettartama során.
- Szükség esetén szerelje le a szelepet az alábbiak szerint:
- Távolítsa el a kioldó burkolatát (56) a „Hidraulikus dugattyú” című részben leírtak szerint.
- Csavarhúzóval* óvatosan távolítsa el a krómozott csillagzár alátétet (18) a hátsó szorító légpofa tekercséből (55), majd dobja ki az alátétet.
- Oldja ki a hátsó szorító légpofát (55) a kapcsolótömbből (54).
- Ügyeljen arra, hogy ne tegyen kárt a hátsó szorító légpofában (55), távolítsa el az O-gyűrűt (12).
- Tisztítsa meg a tekercszet, majd illessze be az új O-gyűrűt (12) a szerelvény nehezékével*, majd helyezze be a kapcsoló tömböt (54), megjegyezve annak tájolását.
- Illessze be a krómozott csillagzár új alátétét (18) úgy, hogy a sérülések elkerülése érdekében puha szorítópofoás satuba szorítja azt. NE ALKALMAZZON SZÜKSÉGTELEN ERŐHATÁST.
- Fordított sorrendben végezze el az összeszerelést.

FOGANTYÚ ÉS VÉGSAPKA

- Tisztítsa meg és vizsgálja át az öntvényeket, hogy nem lát-e rajtuk repedéseket vagy egyéb sérülést.

* A(z) 0753 Mkll szerelőkészletben található tételekre utal. A teljes listáért lásd a(z) 146. oldalt.

A **vastag** betűvel írt tételszámok az általános összeszerelési és alkatrészjegyzékre vonatkoznak a(z) 151–152. oldalon.

VÉDŐBETÉT

- Tisztítsa meg és alkalmanként kevés, híg olajjal kenje meg a védőbetét részegységet.

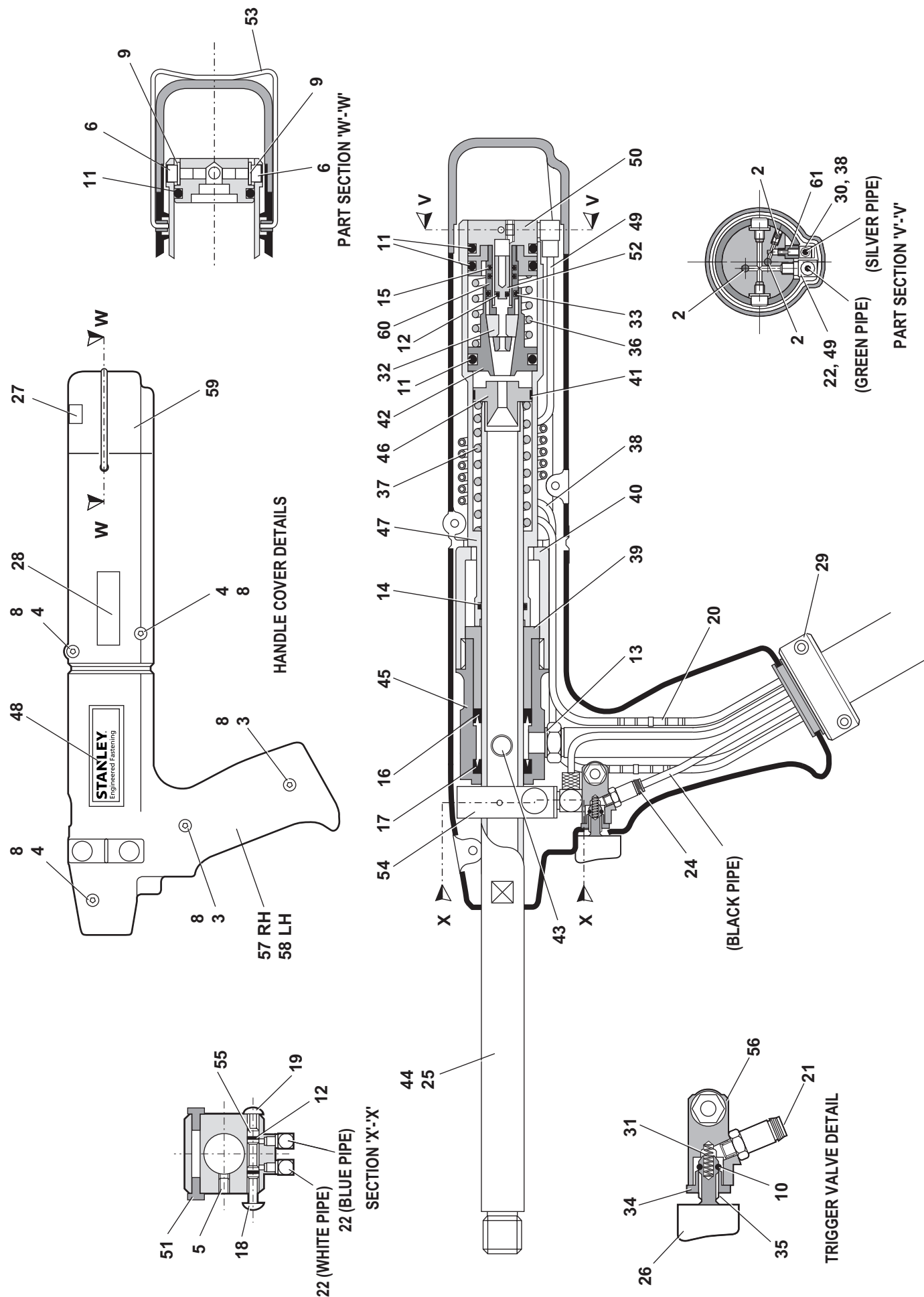
FONTOS

**Ellenőrizze a szerszámot a napi és a heti szervizeléses során.
A feltöltés olajjal MINDIG szükséges a szerszám szétszerelése után és a működtetés előtt.**

* A(z) 0753 MkII szerelőkészletben található tételekre utal. A teljes listáért lásd a(z) 146. oldalt.

A **vastag** betűvel írt tételszámok az általános összeszerelési és alkatrészjegyzékre vonatkoznak a(z) 151–152. oldalon.

6.2 A SZERELŐSZERSZÁM ÁLTALÁNOS ÖSSZESZERELÉSE 07536-02200



6.3 A SZERELŐSZERSZÁM ALKATRÉSZLISTÁJA 07536-02200

07536-02200 ALKATRÉSZJEGYZÉKEK									
TÉTEL	ALKATRÉSZSZÁM	LEÍRÁS	MENNY.	PÓTALKATRÉSZEK	TÉTEL	ALKATRÉSZSZÁM	LEÍRÁS	MENNY.	PÓTALKATRÉSZEK
1	07007-00392	KABELKÖTŐZŐ (NINCS FELTÜNTETVE)	1	-	34	07220-00803	RÖGZÍTŐELEME	1	-
2	07001-00499	M3 x 5 HOSSZU BEÁLLÍTÓCSAVAR	3	-	35	07241-00208	TENGELY	1	-
3	07001-00262	M4 x 22 HOSSZU HATLAPFEJŰ CSAVAR	1	-	36	07154-00404	RUGÓ	1	-
4	07001-00401	M4 x 10 HOSSZU HATLAPFEJŰ CSAVAR	4	-	37	07490-03002	CSŐ VISSZACSAPORUGÓ	1	-
5	07001-00404	M5x6 HOSSZU HATLAPFEJŰ BEÁLLÍTÓ CSAVAR	1	-	38	07536-02211	3 MM LEVEGŐVÉDŐBETÉT HARMONIKACSO - EZÜST	1	-
6	07001-00504	M4 x 6 HOSSZU HATLAPFEJŰ CSAVAR	2	2	39	07536-00203	DUGATTYÚ	1	-
7					40	07530-00204	LÖKETKORLÁTOZÓ	1	-
8	07002-00134	M4 HATLAPÚ ANYA	4	-	41	07530-00206	CSISZOLÓSZALAG	1	1
9	07002-00153	M4 ALATÉTEL [MUANYVAGI]	2	-	42	07536-00208	POFAHÁZ	1	-
10	07003-00022	O-GYŰRŰ	1	-	43	07530-00500	LEERESZTŐDUGÓ RÉSZEGYSÉG [62-65. TÉTEL] ●	1	-
11	07003-00113	O-GYŰRŰ	3	3	44	07536-02201	CSŐ	1	-
12	07003-00121	O-GYŰRŰ	3	3	45	07530-02202	VAZ	1	-
13	07003-00142	1/8" BSP RAGASZTOTT TÖMÍTÉS	1	1	46	07530-02205	CSÓDUGASZ	1	-
14	07003-00167	O-GYŰRŰ	1	1	47	07536-02207	HÁTSÓ SZORÍTÓPOFA HENGERE	1	-
15	07003-00386	O-GYŰRŰ	2	-	48	07530-02210	CÍMKE	2	-
16	07003-00236	TÖMÍTÉS [DINAMIKUS]	1	1	49	07536-02212	4 MM-ES LEVEGŐVÉDŐBETÉT HARMONIKACSO - ZÖLD	1	-
17	07003-00237	TÖMÍTÉS [STATIKUS]	1	-	50	07536-02213	HÁTSÓ DUGÓ	1	-
18	07004-00058	1/8" CSILLAGZAR-ALATÉT, KRÓMOZOTT	1	-	51	07530-00310	KISZŰRŐ DUGATTYÚ	2	-
19	07004-00059	1/8" CSILLAGZAR-ALATÉT, FEKETE	1	-	52	07536-02214	ÜTKÖZŐ	1	-
20	07005-10073	3 MM-ES CSATLAKOZÓ	1	-	53	07530-02220	KAPOCS	1	-
21	07005-01357	SZORÍTÓGYŰRŰ CSATLAKOZÓ	1	-	54	07530-02301	KAPCSOLÓTÖMB	1	-
22	07005-01571	KÖNYÖKCSATLAKOZÓ	3	-	55	07530-02302	A HÁTSÓ SZORÍTÓ LÉGPOFA TEKERCSE	1	-
23	07536-02216	ELLENANYA	1	-	56	07530-02311	KIOLDÓ BURKOLATA	1	-
24	07005-10074	2 MM-ES CSATLAKOZÓ	1	-	57	07536-02601	ÖNTÖKAR SZERELVÉNY JOBB OLDAL	1	-
25	07007-00017	PORVÉDŐ SAPKA	1	-	58	07536-02602	ÖNTÖKAR SZERELVÉNY BAL OLDAL	1	-
26	07007-00300	KIOLDÓGOMB	1	-	59	07530-02603	VEGSAPKA	1	-
27	73200-02022	BIZTONSÁGI CÍMKE	1	-	60	07536-02800	HÁTSÓ SZORÍTÓPOFA DUGATTYU SZERELVÉNY	1	-
28	07007-01504	CE-JELŐLŐCÍMKE	1	-	61	07536-02215	SZERELVÉNYADAPTER	1	-
29	07008-00438	RUGALMAS CSŐSZERELVÉNY	1	-	62	07003-00142	● RAGASZTOTT TÖMÍTÉS (NINCS FELTÜNTETVE)	1	1
30	07005-01323	M3 TŰSKÉS KÖNYÖK	1	-	63	07003-00194	● RAGASZTOTT TÖMÍTÉS (NINCS FELTÜNTETVE)	1	1
31	07125-00215	RUGÓ	1	-	64	07001-00442	● CSAVAR (NINCS FELTÜNTETVE)	1	1
32	07151-00403	HÁTSÓ SZORÍTÓPOFÁK	1 pár	2	65	07530-00501	● DUGASZ (NINCS FELTÜNTETVE)	1	-
33	07003-00016	O-GYŰRŰ	1	-					

6.4 SZÉTSZERELÉSI UTASÍTÁSOK

- A nyomásfokozó részegység szétszerelésekor először válassza le a levegőellátó tömlőt a nyomásfokozó bemeneti csatlakozójáról **(22)**.
- Egy imbuszkulcs* segítségével oldja ki a négy csavart **(27)**, és távolítsa el a védőlapot **(24)**.
- Kapcsolja le a kioldógomb tömlőjét **(47)** a nyomásfokozó szelepről **(43** vagy **48)** a külső szorítógyűrű összenyomásával, a ház visszahúzásával.
- Távolítsa el a takarólapot **(4)** és a tömitést **(35)** a csavarok **(37)** és alátétek **(36)** imbuszkulccsal* történő eltávolításával.
- Figyeljen rá, hogy a tömités ne sérüljön meg, hogy rendesen tömitse a részegységet.
- Fordítsa meg a nyomásfokozót és megfelelő edénybe engedje le a tartályból az olajat.
- Megfelelő villáskulccsal* távolítsa el a gyorscsatlakozót **32** a csatlakozóval **31** és tömitésekkel **33** együtt.
- Távolítsa el a nyomásfokozó szelepet **(43** vagy **48)** a rögzítőcsavarok megfelelő villáskulccsal történő eltávolításával, ügyelve arra, hogy a nyomásfokozó test öntvényében az O-gyűrű **(21)** megmaradjon.
- Távolítsa el a csavart **(19)** egy megfelelő imbuszkulccsal*, és vegye ki a hangtompító fedelét **(16)**, a habszivacs hangtompítót **(15)**, a távtartót **(18)** és a tartólemezt **(20)**.
- Húzza le a 6 mm-es műanyag csövet **(41)** vákuumcsatlakozásról **(42)**.
- A nyomásfokozó aljáról dugjon be egy 3 mm-es imbuszkulcsot* a két nyíláson keresztül, és csavarja ki a vákuumcsatlakozókat **(42)**. Megjegyzés:
 - Vigyázni kell, mivel a vákuumcsatlakozásokat Loctite® 574 segítségével rögzítik és tömitik a helyükön.
 - Ha nehéz eltávolítani, a vákuumcsatlakozók $3/16''$ vagy 4,7 mm átmérőjű fúróval kifúrhatók.
- A vákuumcsatlakozók **42** összeszereléséhez a következő eljárást kell követni: -
 - Itassa át a vákuumcsatlakozókat megfelelő aktiváló anyaggal, pl. Perma Bond A905
 - Tegyen egy csepp Loctite® 574-et a nyomásfokozó menetes furatába.
 - A nyomásfokozó aljáról dugjon be egy imbuszkulcsot* a nyíláson át. A vákuumcsatlakozásba illesztés előtt győződjön meg arról, hogy az imbuszkulcson* nincs Loctite® 574.
 - Forgassa az imbuszkulcsot, miközben Loctite® 574-et visz fel a vákuumcsatlakozó aljára.
 - Csavarja a vákuumcsatlakozót a nyomásfokozóba, ügyelve arra, hogy elegendő Loctite® 574 legyen a szerelvény alján, hogy a menet ne legyen látható.
- Csavarhúzóval óvatosan távolítsa el a belső biztosítógyűrűt **(14)**. Tisztítsa meg és vizsgálja meg a hornyot, hogy nincs-e rajta sérülés.
- A kiemelő* orsómenetes végét dugja a zárófedélbe **12** és húzza ki a nyomásfokozó hüvellyel **28** és az O-gyűrűkkel **10** és **13** együtt.
- Helyezze be a rudat* a csatlakozónyíláson keresztül a nyomásfokozó test elején, és tárja fel a dugattyúrudat **(9)** és a dugattyúszerelvényt.
- Egy megfelelő imbuszkulcs* segítségével csavarja ki a két csavart **(25)**, majd távolítsa el a zárófedelelet **(12)** a nyomásfokozó hüvelyről **(28)**.
- Távolítsa el a záródugót **(7)** a villáskulccsal*.
- Helyezze be a rudat* a nyomásfokozó test elején lévő csatlakozónyíláson keresztül, és tolja ki a háztömitést **(5)** és a hozzá tartozó O-gyűrűket és ajaktömitéseket.
- Vegye le a szelepház-szerelvényt **(34)** a fődarabról egy megfelelő villáskulccsal*. Kisnyomású légsugárral átfújva tisztítsa meg.
- Vegye ki a dugattyúrudat **(9)** a nyomásfokozó légdugattyúból **(11)** úgy, hogy a rúd első 20 mm-ét (3/4") egy puha pofákkal felszerelt satuba szorítja, ügyelve arra, hogy a munkafelületet ne sértse meg és ne hagyjon nyomot rajta.
- Megfelelő villáskulccsal csavarja ki a záróanyát **(17)**.
- Szerelje össze a szétszereléssel ellentétes sorrendben, figyelve a következőkre:
 - Tisztítson meg minden alkatrészt és cserélje ki az összes O-gyűrűt.

* A(z) 0753 Mkll szerelőkészletben található tételekre utal. A teljes listáért lásd a(z) 146. oldalt.

A **vastag** betűvel írt tételszámok a szemközti ábrára és alkatrészjegyzékre vonatkoznak.

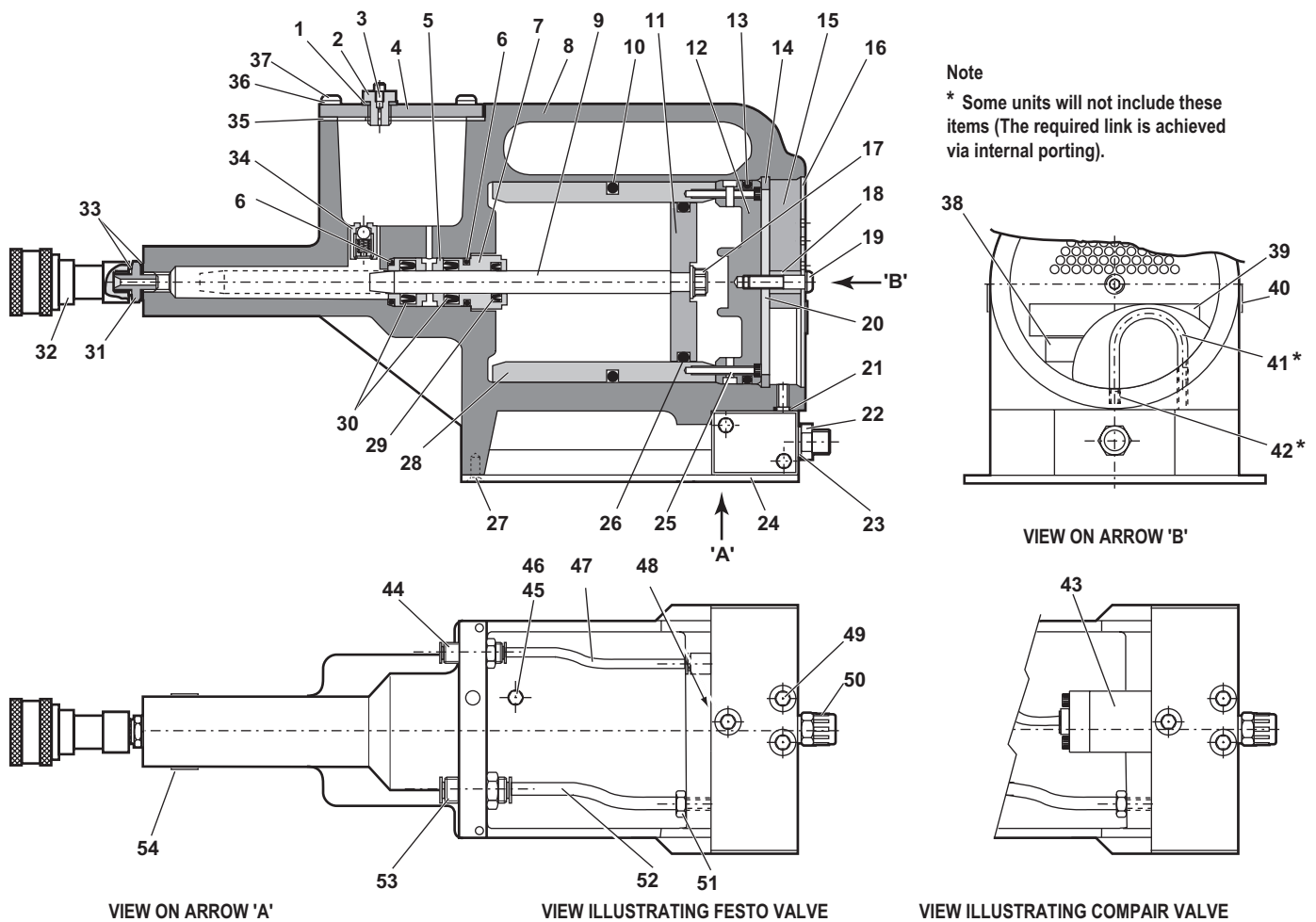
- Minden tömitést kenjen meg Moly lítium kenőanyaggal.
- A szelepház részegység **34** visszaszerelésekor menetrögzítő ragasztót kell használni.
- A dugattúszerelvényt új anyával (**17**) szerelje.
- A zárófedelet (**12**) pontosan kell beszerelni a rögzítőgyűrűn (**14**) belülre. A szerszámot tilos használni, ha a zárófedél nincs rajta.

FONTOS

A feltöltés olajjal MINDIG szükséges a szerszám szétszerelése után és a működtetés előtt.

6.5 KÖRNYEZETVÉDELEM

Ügyeljen rá, hogy az alkalmazandó hulladékkezelési előírások szerint járjon el. Az összes hulladékterméket engedélyezett hulladékkezelő létesítményben vagy telephelyen ártalmatlanítsa, hogy a személyzet és a környezet ne legyen veszélynek kitéve.

6.6 NYOMÁSFOKOZÓ 07531-02200

* A(z) 0753 MkII szerelőkészletben található tételekre utal. A teljes listáért lásd a(z) 146. oldalt.
A **vastag** betűvel írt tételszámok a szemközti ábrára és alkatrészjegyzékre vonatkoznak.

07531-02200 ALKATRÉSZJEGYZÉK								
TÉTEL	ALKATRÉSZSZÁM	LEÍRÁS	MENNY.	PÓTALKATRÉSZEK TÉTEL	ALKATRÉSZSZÁM	LEÍRÁS	MENNY.	PÓTALKATRÉSZEK
1	07003-00037	TÖMÍTÉS	1	1	07531-00201	PERSELY	1	-
2	07240-00211	TÖLTŐCSAVAR	1	-	07003-00337	AJAKTÖMÍTÉS	1	1
3	07001-00418	LÉGTELENÍTŐ CSAVAR	1	1	07003-00336	AJAKTÖMÍTÉS	2	2
4	07240-00210	TAKARÓLAP	1	-	07005-00406	CSATLAKOZÓ	1	-
5	71420-02006	HÁZTÖMÍTÉS	1	-	07005-00759	GYORSKIOLDÓ CSATLAKOZÓ	1	-
6	07003-00153	O-GYŰRŰ	2	-	07003-00142	TÖMÍTÉS	2	1
7	71420-02007	ZÁRÓDUGÓ	1	-	07240-00400	SZELEPHÁZ RÉSZEGYSÉG	1	-
8	71420-02300	TEST RÉSZEGYSÉG	1	-	07240-00209	TÖMÍTÉS	1	1
9	71420-02008	DUGATTYÚRŰD	1	-	07002-00073	ALÁTÉT	4	1
10	07003-00182	O-GYŰRŰ	1	1	07001-00554	CSAVAR	4	1
11	07531-00202	LÉGDUGATTYÚ	1	-	07007-01504	CÍMKE	1	-
12	07531-00204	ZÁRÓFEDÉL	1	-	07240-00217	CÍMKE	1	-
13	07003-00183	O-GYŰRŰ	1	1	07531-00205	CÍMKE	2	-
14	07004-00069	BIZTOSÍTÓGYŰRŰ	1	1	07005-00596	* 6 mm-es MŰANYAG CSŐ	-	-
15	07240-00213	HABSZIVACCS HANGTOMPÍTÓ	1	1	07245-00103	* VÁKUUMCSATLAKOZÓ	2	-
16	07240-00214	HANGTOMPÍTÓ FEDÉL	1	-	07005-00590	COMPAIR SZELEP	1	1
17	07002-00017	CSAVARANYA	1	1	07005-01431	ÁTVEZETŐ CSAVARZAT	1	1
18	07240-00215	TÁVTARTÓ	1	-	07005-00668	M5 DUGÓ	1	-
19	07001-00417	CSAVAR	1	1	07005-00670	M5 TÖMÍTŐGYŰRŰ	1	-
20	07240-00216	TARTÓLEMEZ	1	-	07005-01084	4 mm-es MŰANYAG CSŐ (150 mm)	-	-
21	*07003-00042	O-GYŰRŰ	1	1	07005-01524	FESTO SZELEP	1	-
22	07005-00041	CSATLAKOZÓ	1	-	07001-00176	CSAVAR	3	-
23	07003-00065	ALÁTÉT	1	-	07007-00292	1/4" BSP PIROSFÉJŰ	1	-
24	07240-00220	VÉDŐLEMEZ	1	-	07005-00647	CSATLAKOZÓ	1	-
25	07001-00375	CSAVAR	2	-	07005-01085	6 mm-es MŰANYAG CSŐ (150 mm)	-	-
26	07003-00238	O-GYŰRŰ	1	1	07005-00855	ÁTMENŐ KÖTÉS	1	-
27	07001-00396	CSAVAR	4	-	73200-02022	BIZTONSÁGI CÍMKE	1	-

7. FELTÖLTÉS OLAJJAL

A feltöltés olajjal MINDIG szükséges a szerszám szétszerelése után és a működtetés előtt. Az is előfordulhat, hogy hosszabb használat után vissza kell állítani a teljes löketet, amikor a löket lecsökkent, és a kötőelemeket nem ülteti be teljesen a kioldógomb egyetlen megnyomásával.

7.1 AZ OLAJ ADATAI

A feltöltéshez javasolt olaj a Hyspin® VG32 és AWS 32, amely 0,5 l-es kiszerezésben (cikkszám: 07992-00002) vagy egy gallonos kiszerezésben (cikkszám: 07992-00006) kapható. Lásd az alábbi biztonsági adatokat.

7.2 HYSPIN® VG 32 ÉS AWS 32 OLAJ BIZTONSÁGI ADATOK

Elsősegélynyújtás

BŐR:

A lehető leghamarabb mossa le alaposan szappannal és vízzel. Egy véletlenszerű érintkezés nem igényel azonnali figyelmet. A rövid idejű érintkezés nem igényel azonnali figyelmet.

LENYELÉS:

Azonnal forduljon orvoshoz. NE idézzen elő hányást.

SZEMEK:

Azonnal öblítse ki vízzel több percig. Bár NEM elsődleges irritáló hatású szer, érintkezés után kisebb irritáció felléphet.

Tűz

Megfelelő oltóanyag: CO₂, száraz por, hab vagy vízköd. Vízugarat NE használjon.

Környezet

HULLADÉKGYŰJTÉS: Engedélyezett vállalkozón keresztül engedélyezett telephelyre. Elégethető. A használt termék elküldhető visszanyerésre.

KIÖMLÉS: A lefolyókba, csatornába és vízfolyásokba való bejutást meg kell akadályozni. Nedvszívó anyaggal itassa fel.

Kezelés

Viseljen szemvédőt, vízhatlan kesztyűt (pl. PVC-ből) és műanyag kötényt. Jól szellőző helyen használja.

Tárolás

Nincs szükség különleges óvintézkedésre.

7.3 FELTÖLTÉS OLAJJAL

FONTOS

NE MŰKÖDTESSE A KIOLDÓGOMBOT, AMÍG A LÉGTELENÍTŐ CSAVAR KI VAN HÚZVA

Minden műveletet tiszta padon, tiszta kézzel, tiszta helyen kell elvégezni.

Biztosítsa, hogy az új olaj tökéletesen tiszta és légbuborékmentes legyen.

Mindig ügyelni KELL arra, hogy semmilyen idegen anyag ne kerüljön a szerszámba, mert súlyos károkat okozhat.

- Távolítsa el a töltőcsavart (2) és a tömítést (1) a nyomásfokozó edényen található műanyag fedőlemeztől (4).
- Töltsön előfeszítő folyadékot az edénybe úgy, hogy körülbelül 12 mm (1/2 hüvelyk) maradjon üresen az edény tetejéig.
- Cserélje ki a töltőcsavart (2) és a tömítést (1).
- Csatlakoztassa a nyomásfokozót a levegőellátásra. Távolítsa el a csavarokat az edényből.
- Ha a nyomásfokozó egységhez rögzítette és a nyomásfokozó egység szintje alatt tartja a(z) 07536 dugattyúegységet, akkor két fordulattal csavarozza le a légtelenítő csavart (64) a 07536 szerszámon található légtelenítő dugasz részegységről (43), majd engedje, hogy az olaj kiömljön a szerszámból.
- Ha az olaj szabadon, légbuborékoktól mentesen áramlik, húzza meg a légtelenítő csavart.
- Töltse fel előfeszítő olajjal a nyomásfokozó egységen található edényt.
- Ciklikusan térítse vissza a szerszámot addig, amíg ki nem nyomta az olajtartályba az olajban látható összes légbuborékot.

A **vastag** betűvel írt tételszámok az általános összeszerelési és alkatrészjegyzékre vonatkoznak a(z) 151–154. oldalon.

8. HIBAMEGÁLLAPÍTÁS

HIBAJELENSÉG	LEHETSÉGES OK	JAVÍTÁS	OLDALHIV.
A szerszám nem helyezi el a rögzítőelemet	Alacsony levegőnyomás.	Növelje a légnyomást.	
	Kenőanyag hiánya.	Kenje meg a szerszámot a legbefúvás pontján.	
	Magas az üregelési terhelés szintje.	Ellenőrizze a rögzítőelem befogását és az alkalmazás furatméretét	
	Ellenőrizze, hogy megfelelő-e a tűske mérete.		
	Hátsó szorítópofák kikapcsolt állapotban.	Kapcsolja be a szorítópofákat.	
	Levegő került a hidraulikus rendszerbe.	Lásd az <i>Előfeszítési eljárás</i> c. bekezdést.	156
A tűske „csúszkál” – a szorítópofák nem fogják be a tűskét	Elkoptak vagy szennyezettek a hátsó szorítópofák.	Szükség szerint tisztítsa meg vagy cserélje ki	
	’Nem elég a levegő nyomása / mennyisége.	Növelje a levegő nyomását / mennyiségét	
	’A hátsó szorítópofa kapcsolója nem működőképes.	Cserélje ki a kapcsolót.	
	’Levegő szívárog a szorítópofák felé.	Cserélje ki az O-gyűrűket a 11-as dugattyún.	
	A tűske törött és nem éri el a szorítópofákat.	Cserélje ki a tűskét.	
	Hiba a pneumatikus vezérlőszekrényben.	Vegye fel a kapcsolatot a Stanley Engineered Fastening személyzetével	
A szorítópofák nem engedik el a tűskét	Szennyezett szorítópofák vagy szorítópofaház.	Tisztítás és kenés	
	Meghibásodott a szorítópofa kapcsolója.	Cserélje ki az O-gyűrűket	
	Bent rekedt levegő jel	Ellenőrizze a légvezetéseket	
	Hiba a pneumatikus vezérlőszekrényben	Vegye fel a kapcsolatot a Stanley Engineered Fastening személyzetével	
A rögzítőelemek nem jutnak át az elülső szorítópofákon	A szorítópofák nincsenek bekapcsolva.	Kapcsolja be a szorítópofákat.	
	Elkoptak a hátsó szorítópofák.	Cserélje ki a hátsó szorítópofákat	
	A védőbetét elhelyezkedése helytelen.	Illessze be ismét a helyes irányba	
	Nem megfelelő védőbetét	Helyezze be a megfelelő védőbetétet	
	Helytelen elülső szorítópofák.	Szereljen be megfelelő elülső szorítópofákat	
	A tűskekövető rugó nincs beszerelve.	Szereljen be megfelelő tűskekövető rugót	
	Tűskekövető hossza	Szereljen be megfelelő tűskekövetőt	
	Nem megfelelő hézag a rögzítőelem feje és az elülső szorítópofák között betöltött állapotban.	A hézagot állítsa 1,5 mm – 3 mm (1/16" – 1/8") méretűre Lásd „A szerszámtár betöltése” című fejezetet	143-144
	A védőbetét ragad.	Tisztítsa le és olajozza be a védőbetétet	
	kopott levegő védőbetét	Cserélje ki a védőbetétet.	
	Helytelen tűskekövető rugó van beszerelve.	Szereljen be megfelelő tűskekövető rugót	
	Kopott vagy törött cső visszacsapó rugó	Cserélje ki a cső visszacsapó rugót	
Túlzottan kopottak a hátsó szorítópofák	Magas az üregelési terhelés szintje.	Ellenőrizze az alkalmazás furatméretét és vastagságát, valamint a rögzítőelem befogási hatékonyságát	
Egynél több rögzítőelem egyszerre történő adagolása	A tűske csúszkál.	Lásd a „Tűske csúszik” című résznél (2. szakasz)	
	Nem megfelelő hézag a rögzítőelem feje és az elülső szorítópofák között betöltött állapotban	A hézagot állítsa 1,5 mm – 3 mm (1/16" – 1/8") méretűre Lásd „A szerszámtár betöltése” című fejezetet az alábbi oldalon	143-144

Egyéb tüneteket vagy meghibásodásokat a helyi Stanley Engineered Fastening hivatalos forgalmazójának vagy javítóközpontjának kell jelenteni.

MEGJEGYZÉSEK

9. EK MEGFELELŐSÉGI NYILATKOZAT

Mi, a **Stanley Engineered Fastening, Stanley House, Works Road, Letchworth Garden City, Hertfordshire, SG6 1JY EGYESÜLT KIRÁLYSÁG** kizárólagos felelősségünk tudatában kijelentjük, hogy a következő termék:

Leírás: Hidropneumatikus ismétlő munkaállomás gyorszegecsekhez

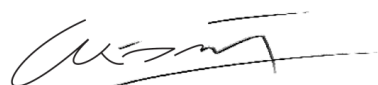
Típus: 07536

amelyre ez a nyilatkozat vonatkozik, megfelel a következő harmonizált szabványoknak:

ISO 12100:2010	EN ISO 3744:2010
EN ISO 11202:2010	EN ISO 11148-1:2011
EN ISO 4413:2010	BS EN 28662-1:1993
EN ISO 4414:2010	EN ISO 20643:2008+A1:2012
EN ISO 28927-5:2009+A1:2015	ES100118-átd. 17:2017

A műszaki dokumentáció összeállítása az alábbi irányelv VII szakasza szerint történt: **A gépekről szóló 2006/42/EK irányelv** (2008. évi 1597. számú jogszabályok - a gépek biztosítására vonatkozó (biztonsági) előírások).

Alulírott ezt a nyilatkozatot a STANLEY Engineered Fastening képviselőjében teszi



A. K. Seewraj

Mérnöki igazgató, Egyesült Királyság

Avdel UK Limited, Stanley House, Works Road, Letchworth Garden City, Hertfordshire,
SG6 1JY EGYESÜLT KIRÁLYSÁG

Kiállítás helye: Letchworth Garden City, Egyesült Királyság

Kiállítás ideje: 01-01-2021

Az aláírás tulajdonosa az Európai Unióban értékesített termékek műszaki adatainak összeállításáért felelős személy; nyilatkozatát a Stanley Engineered Fastening vállalat nevében adja.

Matthias Appel

Műszaki dokumentációs csoport vezetője

Stanley Engineered Fastening, Tucker GmbH, Max-Eyth-Str.1,
35394 Gießen, Németország



**Ez a szerszám megfelel
a gépekre vonatkozó 2006/42/EK irányelv előírásainak**

10. EGYESÜLT KIRÁLYSÁGI MEGFELELŐSÉGI NYILATKOZAT

Mi, a **Stanley Engineered Fastening, Stanley House, Works Road, Letchworth Garden City, Hertfordshire, SG6 1JY EGYESÜLT KIRÁLYSÁG** kizárólagos felelősségünk tudatában kijelentjük, hogy a következő termék:

Leírás: Hidropneumatikus ismétlő munkaállomás gyorszegecsekhez

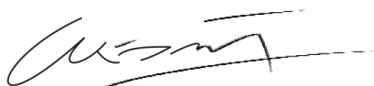
Típus: 07536

amelyre ez a nyilatkozat vonatkozik, megfelel a következő kijelölt szabványoknak:

ISO 12100:2010	EN ISO 3744:2010
EN ISO 11202:2010	EN ISO 11148-1:2011
EN ISO 4413:2010	BS EN 28662-1:1993
EN ISO 4414:2010	EN ISO 20643:2008+A1:2012
EN ISO 28927-5:2009+A1:2015	ES100118-átd. 17:2017

A műszaki dokumentáció összeállítása a 2008. évi 2008/1597 Supply of Machinery (Safety) gépek biztonságára vonatkozó rendelkezéseknek megfelelően történt.

Alulírott ezt a nyilatkozatot a STANLEY Engineered Fastening képviselőjében teszi



A. K. Seewraj

Mérnöki igazgató, Egyesült Királyság

Avdel UK Limited, Stanley House, Works Road, Letchworth Garden City, Hertfordshire, SG6 1JY EGYESÜLT KIRÁLYSÁG

Kiállítás helye: Letchworth Garden City, Egyesült Királyság

Kiállítás ideje: 01-01-2021



Ez a szerszám megfelel
Gépellátás (biztonság) 2008. évi szabályzata,
S.I. 2008/1597 (módosítva)

11.VÉDJE BEFEKTETÉSÉT!

Stanley® Engineered Fastening VAKSZEKCESEŐ SZERSZÁM GARANCIA

A STANLEY® Engineered Fastening garantálja, hogy minden általa gyártott szerszámgép normál használat és karbantartás mellett gyártási- és anyaghibától mentesen fog működni, és a szerszámhoz egy (1) év garanciát biztosít.

Ez a garancia a szerszám első vásárlója általi normál használatra vonatkozik.

Nem tartozik a garancia hatálya alá:

Természetes elhasználódás és kopás.

Az időszakos karbantartásra, javításokra, valamint a természetes kopás és elhasználódás miatt szükségessé váló alkatrészcserekre nem terjed ki a garancia.

Gondatlan és rendeltetésellenes használat.

Helytelen kezelésből, tárolásból, nem rendeltetészerű vagy gondatlan használatból, balesetből vagy hanyagságból származó anyagi károkra a garancia nem terjed ki.

Illetéktelen javítás vagy átalakítás.

Nem a STANLEY® Engineered Fastening személyzete vagy megbízott szervizei által végzett javításból, tesztbeállításból, karbantartásból, átalakításból vagy módosításból eredő meghibásodások és károk nem tartoznak a garancia hatálya alá.

Minden egyéb, többek között a termék eladhatóságára vagy bizonyos célra való alkalmasságára vonatkozó bármilyen kifejezett vagy beleértett garancia lehetősége kizárt.

Amennyiben a szerszámmal kapcsolatos garanciális igénye merül fel, juttassa el a szerszámot a legközelebbi, gyárunk által megbízott szervizbe. A STANLEY® Engineered Fastening által megbízott, az USA-ban és Kanadában működő szervizközpontjaink listájának ügyében keressen minket ingyenesen hívható telefonszámunkon: (877)364 2781.

Az USA-n és Kanadán kívül az Önhöz legközelebbi STANLEY Engineered Fastening képviselőt az alábbi honlapon találhatja: **www.StanleyEngineeredFastening.com**.

A STANLEY Engineered Fastening díjmentesen kicseréli az általunk anyag- vagy gyártási hibásnak nyilvánított alkatrész(ek)e)t, és a szerszámot bérmentesítve visszaküldi. Ez a jelen garanciához kapcsolódó egyetlen kötelezettségünk.

A STANLEY Engineered Fastening semmilyen esetben sem felel a jelen eszköz megvásárlásából vagy használatából eredő semmilyen következményes vagy különleges kárért.

Regisztrálja a vásárolt szerszámot online.

Garanciájának regisztrálásához látogasson el a honlapunkra:

<https://www.stanleyengineeredfastening.com/support/warranty-registration-form>

Köszönjük, hogy a STANLEY® Engineered Fastening vállalat Stanley Assembly Technologies márkájú szerszámát választotta.

©2021 Stanley Black & Decker inc.
Všetky práva vyhradené.

Uvedené informácie sa nesmú reprodukovat' ani zverejňovat' žiadnym spôsobom (elektronicky ani mechanicky) bez predchádzajúceho výslovného a písomného súhlasu od spoločnosti STANLEY Engineered Fastening. Uvedené informácie vychádzajú z údajov známych v čase uvádzania tohto produktu na trh. Spoločnosť STANLEY Engineered Fastening uplatňuje politiku kontinuálneho zdokonaľovania produktov a z uvedeného dôvodu môžu produkty podliehať zmenám. Uvedené informácie sa vzťahujú na produkt v stave, v akom bol dodaný spoločnosťou STANLEY Engineered Fastening. Spoločnosť STANLEY Engineered Fastening preto nebude niesť zodpovednosť za žiadne škody vyvstávajúce z odchýlok produktu od pôvodných špecifikácií.

Dostupné informácie boli zostavené s maximálnou starostlivosťou. Spoločnosť STANLEY Engineered Fastening však nepreberá žiadnu zodpovednosť za akékoľvek chyby v týchto informáciách ani za dôsledky z nich vyplývajúce. Spoločnosť STANLEY Engineered Fastening nepreberá zodpovednosť za škody vyvstávajúce z aktivít realizovaných tretími stranami. Pracovné názvy, obchodné názvy, registrované ochranné známky a pod. používané spoločnosťou STANLEY Engineered Fastening sa nesmú považovať za bezplatné, a to v súlade s legislatívou týkajúcou sa ochrany ochranných známk.

1. BEZPEČNOSTNÉ DEFINÍCIE	164
1.1 VŠEOBECNÁ BEZPEČNOSŤ.....	164
1.2 NEBEZPEČENSTVÁ VRHNUTIA	164
1.3 PREVÁDZKOVÉ NEBEZPEČENSTVÁ.....	165
1.4 NEBEZPEČENSTVÁ OPAKUJÚCICH SA POHYBOV.....	165
1.5 NEBEZPEČENSTVÁ PRÍSLUŠENSTVA	165
1.6 NEBEZPEČENSTVÁ PRACOVISKA	165
1.7 NEBEZPEČENSTVÁ HLUKU	165
1.8 NEBEZPEČENSTVÁ VIBRÁCIÍ	166
1.9 DODATOČNÉ BEZPEČNOSTNÉ POKYNY PRE PNEUMATICKÉ A HYDRAULICKÉ NÁRADIE	166
2. ŠPECIFIKÁCIE	167
2.1 ŠPECIFIKÁCIA PRE NÁRADIE 07536	167
2.2 ŠPECIFIKÁCIA PRE ZOSILŇOVAČ 07531.....	167
3. ÚČEL POUŽITIA	168
3.1 ROZMERY NÁRADIA – MODEL 07536	168
4. UVEDENIE DO PREVÁDZKY	169
4.1 PRÍVOD VZDUCHU	169
4.2 VZDUCHOVÉ KURZORY.....	170
4.3 VKLADANIE A VYBERANIE UPEVŇOVACÍCH PRVKOV DO NÁRADIA.....	170
4.4 PREVÁDZKOVÝ POSTUP.....	172
5. SERVIS NÁRADIA.....	173
5.1 PNEUMATICKÁ RIADIACA SKRINKA	173
5.2 DENNÝ.....	173
5.3 TÝŽDENNÝ.....	173
5.4 MOLYLÍTOVÉ MAZIVO EP 3753 – BEZPEČNOSTNÉ ÚDAJE	173
5.5 SERVISNÁ SÚPRAVA.....	174
5.6 ZOSTAVA VZDUCHOVÉHO KURZORA NÁRADIA, ZOSILŇOVAČA A RIADIACEJ SKRINKY 07536-02100.....	175
6. ÚDRŽBA	176
6.1 DEMONTÁŽ NÁRADIA 07536-02200	176
6.2 CELKOVÁ ZOSTAVA ZÁKLADNÉHO NÁRADIA 07536-02200.....	179
6.3 ZOZNAM DIELOV ZÁKLADNÉHO NÁRADIA 07536-02200.....	180
6.4 POKYNY NA DEMONTÁŽ.....	181
6.5 OCHRANA ŽIVOTNÉHO PROSTREDIA	182
6.6 ZOSILŇOVAČ 07531-02200.....	182
7. PLNENIE.....	184
7.1 INFORMÁCIE O OLEJI	184
7.2 OLEJ HYPIN® VG32 A AWS 32 – BEZPEČNOSTNÉ ÚDAJE	184
7.3 POSTUP PLNENIA	184
8. DIAGNOSTIKA PORÚCH.....	185
9. ES VYHLÁSENIE O ZHODE	187
10. PREHLÁSENIE O ZHODE VO VB	188
11. CHRÁŇTE SVOJU INVESTÍCIU!	189



Tento návod na použitie si musí prečítať každá osoba, ktorá inštaluje alebo prevádzkuje toto náradie, pričom je povinná venovať zvýšenú pozornosť nasledujúcim zásadám bezpečnosti.



Počas práce s náradím vždy používajte ochranu zraku odolnú proti nárazom. Stupeň požadovanej ochrany by sa mal hodnotiť pri každom použití.



Používajte ochranu sluchu v súlade s pokynmi zamestnávateľa a podľa požiadaviek predpisov o ochrane zdravia a bezpečnosti pri práci.



Použitie tohto náradia môže vystaviť ruky pracovníka nebezpečenstvám, a to vrátane rozdrvenia, nárazov, porezania, odrenín a tepla. Na ochranu rúk používajte vhodné rukavice.

1. BEZPEČNOSTNÉ DEFINÍCIE

Nižšie uvedené definície charakterizujú hladinu závažnosti jednotlivých signalizačných slov. Prečítajte si príručku a venujte pozornosť týmto symbolom.

- ▲ NEBEZPEČENSTVO:** Označuje situáciu s bezprostredným ohrozením, ktorá v prípade, ak sa jej nepredíde, spôsobí smrť alebo vážne ublíženie na zdraví.
- ▲ VAROVANIE:** Označuje situáciu s potenciálnym ohrozením, ktorá v prípade, ak sa jej nepredíde, by mohla spôsobiť smrť alebo vážne ublíženie na zdraví.
- ▲ UPOZORNENIE:** Označuje potenciálne nebezpečnú situáciu, ktorá v prípade, ak sa nezabráni jej výskytu, môže spôsobiť ľahké alebo stredne ťažké zranenie.
- ▲ UPOZORNENIE:** Pri použití bez symbolu bezpečnostného upozornenia poukazuje na potenciálne nebezpečnú situáciu, ktorá (pokiaľ sa nezabráni je výskytu) môže spôsobiť majetkové škody.

Nesprávna obsluha alebo údržba tohto produktu môže spôsobiť vážne ublíženie na zdraví a majetkové škody. Pred zahájením používania tohto vybavenia si preštudujte všetky varovania a prevádzkové pokyny a dodržiavajte ich. Pri používaní elektrického náradia ste povinný kvôli zníženiu rizika ublíženia na zdraví dodržiavať bezpečnostné opatrenia.

VŠETKY VAROVANIA A POKYNY SI USCHOVAJTE PRE REFERENCIU DO BUDÚCNOSTI

1.1 VŠEOBECNÁ BEZPEČNOSŤ

- Kvôli viacerým nebezpečenstvám si pred inštaláciou, prevádzkou, opravou, údržbou, výmenou príslušenstva alebo pred prácou v blízkosti náradia prečítajte bezpečnostné pokyny a pochopte ich. Ak tak neurobíte, môže to mať za následok vážne zranenie.
- Inštalovať, nastavovať alebo používať toto náradie môžu len kvalifikovaní a vyškolení pracovníci.
- NEPOUŽÍVAJTE na iné ako dizajnom predurčené použitie, ktorým je umiestňovanie slepých nitov STANLEY Engineered Fastening.
- Používajte len diely, upevňovacie prvky a príslušenstvo odporúčané výrobcom.
- Náradie NEUPRAVUJTE. Úpravy môžu znížiť účinnosť bezpečnostných opatrení a zvýšiť riziká pre pracovníka. Za akékoľvek zmeny náradia realizované zákazníkom bude v plnej miere zodpovedný zákazník, pričom v tomto prípade zároveň dochádza k strate platnosti poskytovaných záruk.
- Nezhadzujte bezpečnostné pokyny; dať ich pracovníkovi.
- Ak je náradie poškodené, nepoužívajte ho.
- Pred použitím skontrolujte nesprávne zarovnanie alebo uviaznutie pohyblivých častí, zlomenie častí a akékoľvek iné okolnosti, ktoré ovplyvňujú prevádzku náradia. Ak sa náradie poškodí, pred použitím si ho nechajte opraviť. Pred použitím odstráňte nastavovací kľúč alebo násadu.
- Náradie sa musí pravidelne kontrolovať, aby sa overilo, či sú na náradí čitateľne vyznačené klasifikácie a značky požadované touto časťou normy ISO 11148. Zamestnávateľ/používateľ sa v prípade potreby spojí s výrobcom, aby získal náhradné štítky s označením.
- Kvalifikovaný personál musí náradie neustále udržiavať v bezpečnom prevádzkovom stave a pravidelne kontrolovať z hľadiska možného poškodenia a nenáležitej funkčnosti. Akékoľvek úkony demontáže bude realizovať výlučne vyškolený personál. Náradie nerozoberajte bez toho, aby ste si vopred našťudovali návod na údržbu.

1.2 NEBEZPEČENSTVÁ VRHNUTIA

- Pred výkonom akejkoľvek údržby, pokusom o nastavenie, nasadenie, úpravu alebo odňatie čelnej zostavy alebo príslušenstva odpojte náradie od prívodu vzduchu.
- Uvedomte si, že zlyhanie obrobku alebo príslušenstva, či lebo dokonca samotného vloženého náradia, môže viesť k vrhnutiu projektilov vysokou rýchlosťou.
- Počas práce s náradím vždy používajte ochranu zraku odolnú proti nárazom. Stupeň požadovanej ochrany by sa mal hodnotiť pri každom použití.

- V tejto chvíli by ste mali posúdiť aj riziká pre ostatných.
- Skontrolujte, či je obrobok bezpečne upevnený.
- Skontrolujte, či sú prostriedky na ochranu pred vypudením upevňovacieho prvku a/alebo trňa na svojom mieste a či sú funkčné.
- Upozornite na možné vypudenie trňov z prednej strany náradia silou.
- **NEOBSLUHUJTE** náradie, ktoré je nasmerované na inú osobu(-y).

1.3 PREVÁDZKOVÉ NEBEZPEČENSTVÁ

- Použitie tohto náradia môže vystaviť ruky pracovníka nebezpečenstvám, a to vrátane rozdrvenia, nárazov, porezania, odrenín a tepla. Na ochranu rúk používajte vhodné rukavice.
- Pracovníci a personál údržby musia byť fyzicky schopní zvládnuť objem, hmotnosť a výkon náradia.
- Náradie držte správne. Buďte pripravení pôsobiť proti normálnym alebo náhlym pohybom a majte k dispozícii obe ruky.
- Rukoväte udržiavajte suché, čisté a bez nánosov oleja či mastnoty.
- Pri práci s náradím udržiavajte vyváženú polohu tela a bezpečný postoj.
- V prípade prerušenia hydraulického prívodu uvoľnite zapínacie a vypínacie zariadenie.
- Používajte iba mazivá odporúčané výrobcom.
- Mali by ste predchádzať kontaktu s hydraulickou kvapalinou. Aby ste minimalizovali možnosť tvorby vyrážok, mali by ste v prípade kontaktu poriadne umyť zasiahnuté miesto.
- Bezpečnostné karty materiálu pre všetky hydraulické oleje a mazadlá sú na vyžiadanie dostupné od dodávateľa náradia.
- Vyhybajte sa nevhodným polohám, pretože je pravdepodobné, že tieto polohy neumožnia pôsobiť proti normálnemu alebo neočakávanému pohybu náradia.
- Ak je náradie pripnuté k závesnému zariadeniu, uistite sa, že je upevnenie bezpečné.
- Dajte si pozor na nebezpečenstvo rozdrvenia alebo privretia, ak nie je namontované čelné zariadenie.
- **NEPREVÁDZKUJTE** náradie s odňatým čelným puzdrom.
- Pred pokračovaním je potrebné zabezpečiť dostatočný odstup od rúk osoby obsluhujúcej náradie.
- Pri prenášaní náradia z miesta na miesto držte ruky v bezpečnej vzdialenosti od aktivátora, aby nedošlo k neúmyselnej aktivácii.
- Náradie **NEPOUŽÍVAJTE** hrubým spôsobom, nedovoľte, aby spadlo na zem, ani ho nepoužívajte ako kladivo.
- Dávajte pozor, aby ste zaistili, že použité trne nebudú vytvárať nebezpečenstvo.

1.4 NEBEZPEČENSTVÁ OPAKUJÚCICH SA POHYBOV

- Pri používaní náradia môže pracovník pociťovať nepohodlie v rukách, ramenách, pleciach, krku alebo iných častiach tela.
- Počas používania náradia by mal pracovník zaujať pohodlnú pozíciu, zachovávať bezpečný postoj a vyhýbať sa nevhodnému alebo nevyváženému držaniu tela. Počas dlhších úloh by pracovník mal zmeniť postoj. Môže to pomôcť vyhnúť sa nepohodliu a únave.
- Ak sa u pracovníka vyskytnú príznaky, ako je pretrvávajúce alebo opakujúce sa nepohodlie, bolesť, pulzovanie, bolenie, trpnutie, znížená citlivosť, pálenie alebo stuhnutosť, tieto výstražné príznaky by sa nemali ignorovať. Pracovník by mal informovať zamestnávateľa a poradiť sa s kvalifikovaným zdravotníckym pracovníkom.

1.5 NEBEZPEČENSTVÁ PRÍSLUŠENSTVA

- Pred namontovaním alebo odstránením mechanizmu ústia alebo príslušenstva odpojte náradie od prívodu vzduchu.
- Používajte príslušenstvo a spotrebný materiál iba takých rozmerov a typov, ktoré odporúča výrobca náradia. Nepoužívajte iné typy alebo veľkosti príslušenstva alebo spotrebného materiálu.

1.6 NEBEZPEČENSTVÁ PRACOVISKA

- Šmyknutia, zakopnutia a pády sú hlavnými príčinami úrazov na pracovisku. Dávajte si pozor na klzké povrchy spôsobené použitím náradia a tiež na nebezpečenstvo zakopnutia spôsobené vzduchovým potrubím alebo hydraulickou hadicou.
- V neznámom prostredí postupujte opatrne. Môžu tam byť skryté riziká, ako napríklad elektrické alebo iné inžinierske siete.
- Náradie nie je určené na používanie v potenciálne výbušnej atmosfére a nie je izolované proti kontaktu s elektrickou energiou.
- Zabezpečte, aby tam neboli žiadne elektrické káble, plynové potrubia atď., ktoré by v prípade ich poškodenia náradím mohli spôsobiť nebezpečenstvo.
- Riadne sa oblečte. Nepoužívajte voľný odev ani šperky. Vlasy, oblečenie a rukavice udržiavajte mimo pohyblivých častí. Voľné oblečenie, šperky alebo dlhé vlasy sa môžu zachytiť do pohyblivých častí.
- Dávajte pozor, aby ste zaistili, že použité trne nebudú vytvárať nebezpečenstvo.

1.7 NEBEZPEČENSTVÁ HLUKU

- Expozícia vysokej hladine hluku môže spôsobiť trvalé následky spočívajúce v strate sluchu a ďalšie problémy, napríklad hučanie v ušiach (zvonenie, bzučanie, pískanie alebo hučanie v ušiach). Posúdenie rizika a implementácia vhodných regulačných mechanizmov týchto nebezpečenstiev sú preto nevyhnutné.
- Medzi vhodné regulačné opatrenia na zníženie rizika môžu patriť prvky, akými sú tlmiace materiály, ktoré zabránia „zvoneniu“ obrobkov.

- Používajte ochranu sluchu v súlade s pokynmi zamestnávateľa a podľa požiadaviek predpisov o ochrane zdravia a bezpečnosti pri práci.
- Nástroje obsluhujte a udržiavajte podľa odporúčaní uvedených v návode na použitie, aby ste predišli zbytočnému zvýšeniu hladiny hluku.

1.8 NEBEZPEČENSTVÁ VIBRÁCIÍ

- Expozícia vibráciám môže spôsobiť vážne poškodenie nervov a prísunu krvi do rúk a ramien.
- Pri práci v chladnom prostredí noste teplé oblečenie a udržiavajte si ruky v teple a suchu.
- Ak pociťujete znecitlivenie, brnenie, bolesť alebo bielenie pokožky prstov alebo rúk, prestaňte nástroj používať, informujte svojho zamestnávateľa a obráťte sa na lekára.
- Ak je to možné, podprite váhu nástroja stojanom, napínačom alebo kompenzátorom, pretože na podoprenie nástroja potom môžete použiť ľahšiu rukoväť.

1.9 DODATOČNÉ BEZPEČNOSTNÉ POKYNY PRE PNEUMATICKÉ A HYDRAULICKÉ ELEKTRICKÉ NÁRADIE

- Prevádzkový prírodný tlak nesmie prekročiť 7 barov (100 PSI).
- Vzduch pod tlakom môže spôsobiť vážne zranenie.
- Nástroj, ktorý je v prevádzke, nikdy neponechávajte bez dozoru. Keď sa nástroj nepoužíva, pred výmenou príslušenstva alebo pri opravách, odpojte vzduchovú hadicu.
- NEDOVOLTE, aby výstupný otvor zberného priestoru trňov smeroval k obsluhujúcemu pracovníkovi alebo k iným osobám. Vzduch nikdy nesmerujte na seba ani na nikoho iného.
- Šľahnutie hadicami môže spôsobiť vážne zranenie. Vždy skontrolujte, či nie sú poškodené alebo uvoľnené hadice a tvarovky.
- Pred použitím skontrolujte, či vzduchové rozvody nie sú poškodené a či sú pripojenia bezpečne upevnené. Nedovoľte, aby na hadice spadli ťažké predmety. Silný náraz môže spôsobiť interné poškodenie a môže viesť k predčasnému narušeniu hadice.]
- Studený vzduch smerujte mimo rúk.
- Vždy, keď sa používajú univerzálne skrúcané spojky (spojky s čeľuštami), musia sa namontovať poistné kolíky a na zabezpečenie proti novej poruche spojenia medzi nástrojmi a hadicou alebo medzi hadicami sa musia použiť bezpečnostné káble.
- Umiestňovacie nástroje NEDVÍHAJTE držaním za hadicu. Vždy používajte rukoväť umiestňovacieho nástroja.
- Vetracie otvory sa nesmú zablokovať ani zakryť.
- Nečistoty a cudzie látky držte v bezpečnej vzdialenosti od hydraulického systému nástroja, keďže v opačnom prípade by došlo k poruche nástroja.
- Olej pod tlakom môže spôsobiť vážne zranenie.
- Pred použitím skontrolujte, či hadice hydrauliky nie sú poškodené. Všetky pripojenia hydrauliky musia byť pred prevádzkou čisté, naplno zapojené a tesné. Nedovoľte, aby na hadice spadli ťažké predmety. Silný náraz môže spôsobiť interné poškodenie a môže viesť k predčasnému narušeniu hadice.
- NEVYŤAHUJTE ani nepohybujte jednotku zosilňovača pomocou hadíc. Vždy použite rukoväť zariadenia.
- Používajte iba čistý olej a plniace zariadenie.
- Smú sa používať iba odporúčané hydraulické kvapaliny.
- Maximálna teplota hydraulickej kvapaliny na vstupe je 100 °C (212 °F).

VAROVANIE: Zatiaľ čo pri normálnom a správnom používaní vretien prirodzene dôjde k malému množstvu opotrebovania a označovania, musia sa pravidelne vyšetřovať kvôli nadmernému opotrebovaniu a značeniu, s osobitným dôrazom na priemer hlavice, oblasť uchopenia chvostovej čeľuste alebo ťažké prehlbenie stopky a akékoľvek deformácie vretena. Vretená, ktoré zlyhajú počas používania, by mohli odpadnúť z nástroja. Je povinnosťou zákazníka zabezpečiť, aby boli vretená vymenené pred akoukoľvek nadmernou úrovňou opotrebovania a vždy pred maximálnym odporúčaným počtom umiestnení. Obráťte sa na svojho zástupcu spoločnosti STANLEY Engineered Fastening, ktorý vám oznámi, aký je tento údaj tým, že zmeria zaťaženie aplikácie pomocou kalibrovaného meracieho nástroja.

Zásada spoločnosti STANLEY Engineered Fastening podlieha nepretržitému vývoju a zdokonaľovaniu produktov a vyhradujeme si právo zmeniť technické údaje akéhokoľvek produktu bez predchádzajúceho oznámenia.

2. ŠPECIFIKÁCIE

2.1 ŠPECIFIKÁCIA PRE NÁRADIE 07536

Tlak vzduchu	Minimálny – maximálny	5 barov – 7 barov (70 – 100 lbf/pal. ²)
Požadovaný objem voľného vzduchu	pri 5,1 baroch/75 lbf/pal. ²	2,6 l (0,09 ft ³)
Záber	Minimálny	25 mm (1 palca)
Sila v ťahu	pri 5,5 baroch/80 lbf/pal. ²	3,89 kN (875 lbf)
Čas cyklu	Približne	1 sekunda
Hmotnosť	Pišťoľová jednotka	1,2 kg (2,64 libry)

2.2 ŠPECIFIKÁCIA PRE ZOSILŇOVAČ 07531

Tlak vzduchu	Minimálny – maximálny	5 – 7 barov (70 – 100 lbf/pal. ²)
Pomer zosilnenia		32:1

Hodnoty hluku stanovené podľa kódu hlukových skúšok v norme ISO 15744 a ISO 3744.		07536
Vážená hladina akustického výkonu A dB(A), L_{WA}	Odchýlka hluku: $k_{WA} = 2,3$ dB(A)	79,5 dB(A)
Vážená hladina emisií akustického tlaku A na pracovisku dB(A), L_{pA}	Odchýlka hluku: $k_{pA} = 2,3$ dB(A)	68,5 dB(A)
Vážená hladina špičkových emisií akustického tlaku C dB(C), L_{pC} špičková	Odchýlka hluku: $k_{pC} = 2,5$ dB(C)	96,9 dB(C)
Hodnoty vibrácií stanovené podľa kódu skúšok vibrácií v norme ISO 20643 a ISO 5349.		07536
Úroveň emisií vibrácií, a_{hd} :	Odchýlka vibrácií: $k = 0,25$ m/s ²	0,97 m/s ²
Deklarované hodnoty emisií vibrácií v súlade s normou EN 12096		

3. ÚČEL POUŽITIA

Pneumatické náradie 07536 je ručné ľahké náradie určené na umiestňovanie upevňovacích prvkov 1/16" Avlug®, takže je ideálnym nástrojom na dávkovú alebo prietokovú montáž v širokom okruhu aplikácií vo všetkých priemyselných odvetviach.

Ručné náradie a zosilňovač boli testované ako samostatné položky a v kombinácii. Smú sa používať iba spoločne a nesmú sa používať na žiadne iné účely. Podrobné informácie o pripojení nájdete v časti „Uvedenie do prevádzky“ na strane 169 – 172.

Čísla dielov sa zobrazujú tak, aby sa objednal kompletný nástroj, ale žiadne zariadenie ústia.

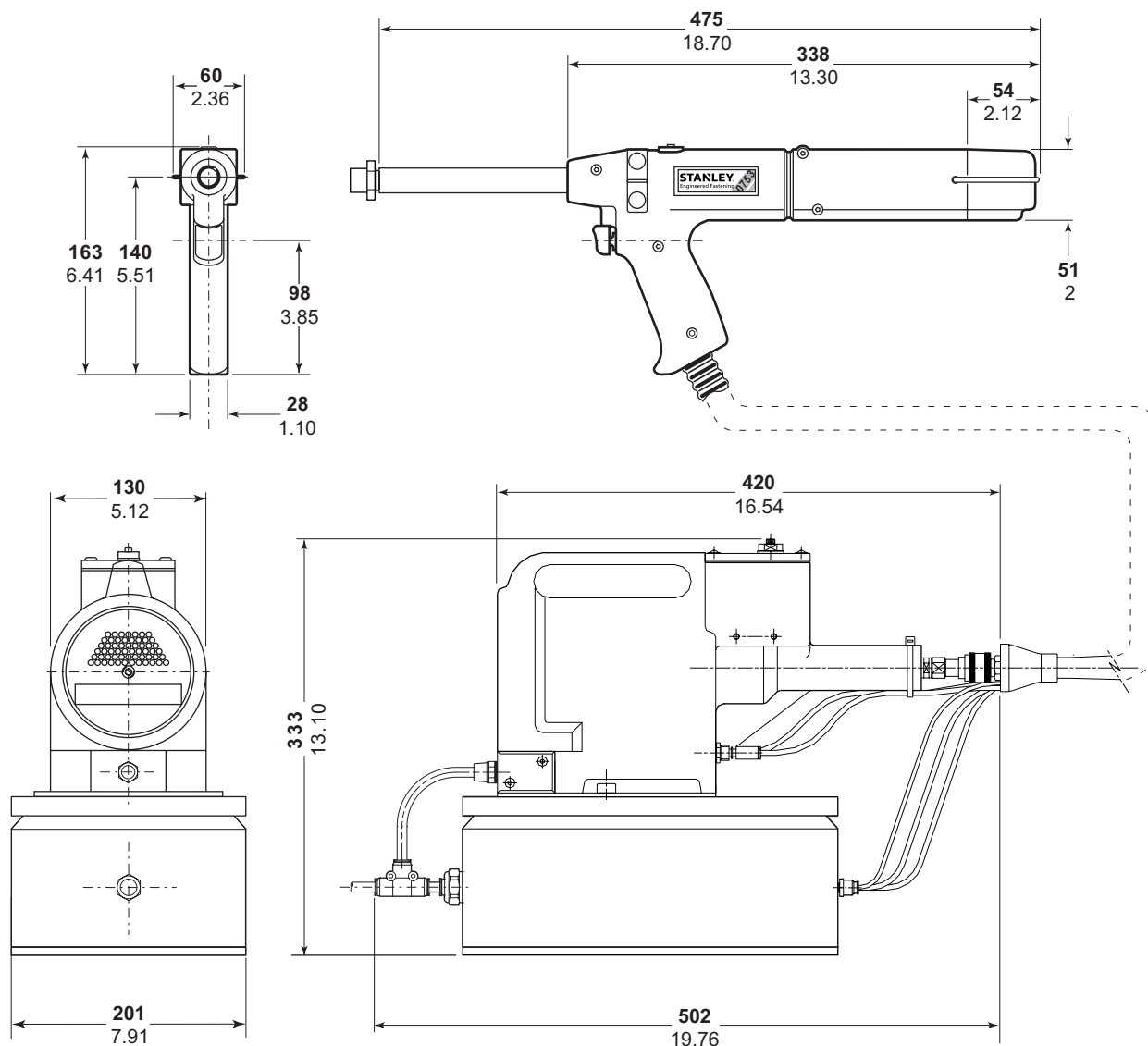
Číslo náradia pre model 07536 je 07536-02200.

Pozrite všeobecnú zostavu súčiastok na stranách 175 – 183.

NEPOUŽÍVAJTE v mokrom stave alebo v prítomnosti horľavých kvapalín alebo plynov.

3.1 ROZMERY NÁRADIA – MODEL 07536

Číslo dielu 07536-02100



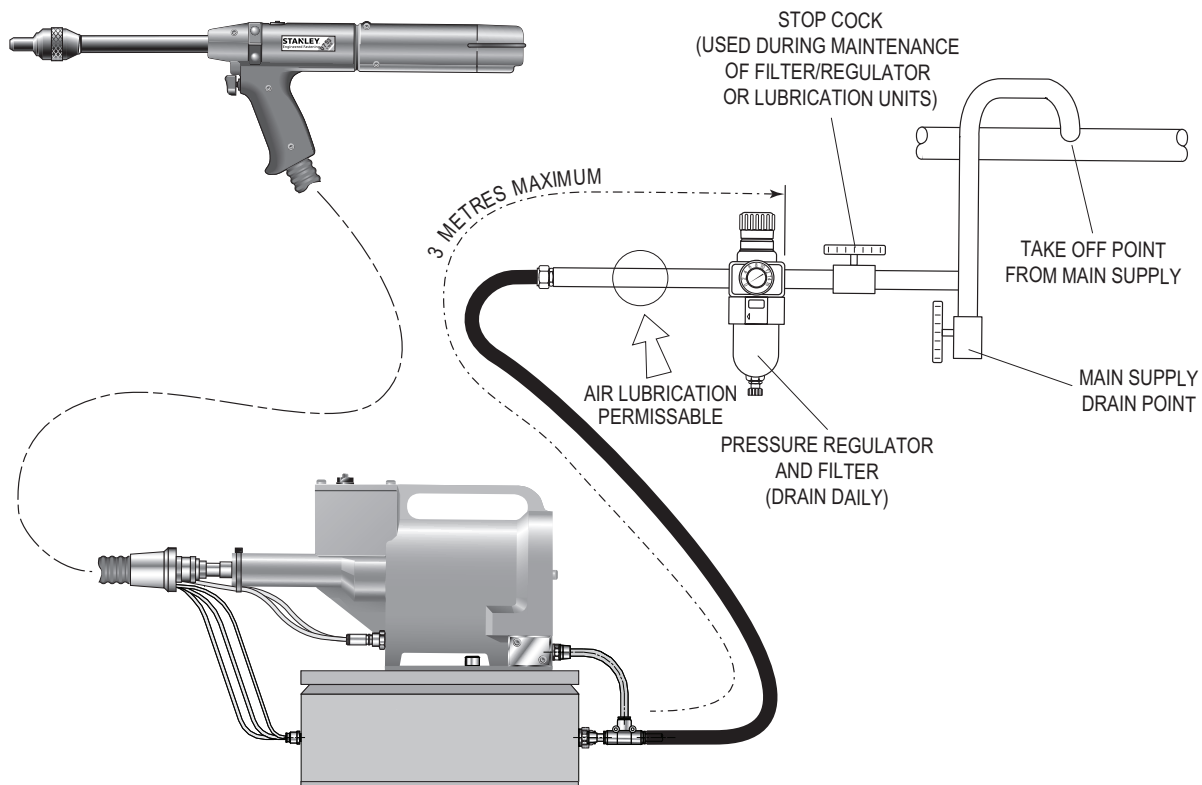
Rozmery v mm.

4. UVEDENIE DO PREVÁDZKY

4.1 PRÍVOD VZDUCHU

Všetko náradie sa prevádzkuje stlačeným vzduchom pri optimálnom tlaku 5,5 baru. Odporúčame používať regulátory tlaku a automatické olejovacie/filtračné systémy na hlavnom prívode vzduchu. Aby sa zaistila maximálna životnosť náradia a minimálna údržba, musia byť namontované do vzdialenosti 3 metrov od náradia (pozrite si obrázok nižšie).

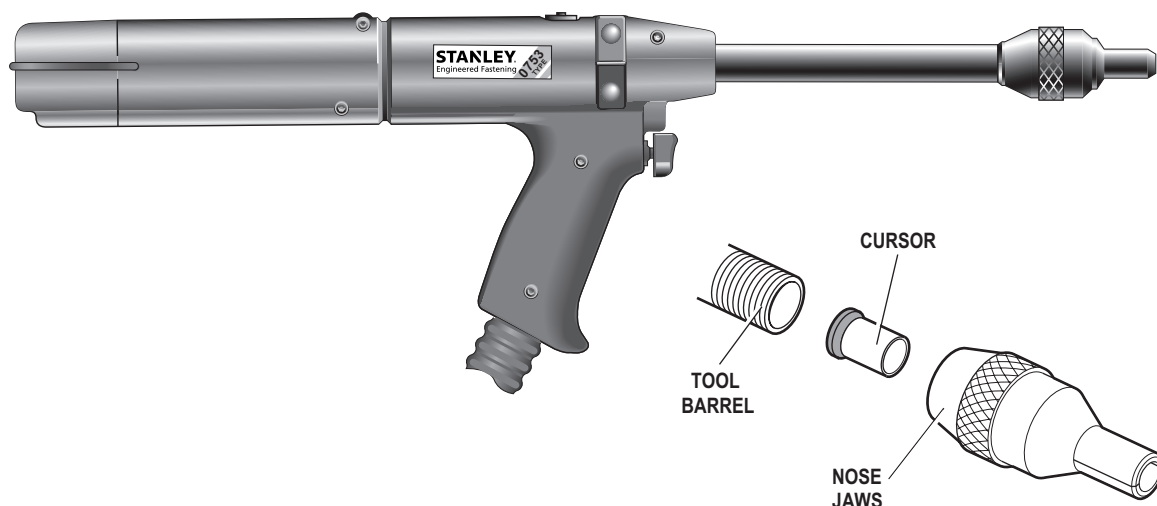
Všetky prívodné hadice majú mať minimálne ohodnotenie efektívneho prevádzkového tlaku minimálne o 150 % vyššie ako je hodnota maximálneho tlaku vytváraného systémom alebo hodnota 10 barov, podľa toho, ktorá z týchto hodnôt je vyššia. Vzduchové hadice majú byť odolné voči oleju, mať vonkajšie časti odolné voči treniu a pokiaľ môže dôjsť vplyvom prevádzkových podmienok k poškodeniu hadíc, musia byť vystužené. Všetky hadice na prívod vzduchu MUSIA mať minimálny vnútorný priemer 6,4 mm alebo 1/4 palca.



Pri pripájaní náradia k zosilňovaču a hlavnému prívodu vzduchu postupujte nasledovne:

- Zatlačte koniec veľkej hydraulickéj hadice z náradia do konektora rýchlospojky na konci zosilňovača.
- Na prednej strane zosilňovača (pozrite si stranu 175):
 - Zatlačte modré pneumatiké vedenie (s vonkajším priemerom 4 mm) do redukčnej spojky, ktorá sa nachádza v ľavom prepážkovom konektore.
 - Zatlačte čierne pneumatiké vedenie (s vonkajším priemerom 4 mm) do plastovej objímky v pravom prepážkovom konektore.
- Na prednej strane riadiacej skrinky (pozrite si stranu 175):
 - Strieborné pneumatiké vedenie (s vonkajším priemerom 3 mm) zatlačte do redukcie označenej ako „Cursor“ (Kurzor) na prednej strane riadiacej skrinky – ľavej strane.
 - Zelené pneumatiké vedenie (s vonkajším priemerom 4 mm) zatlačte do redukcie označenej ako „Tail Jaws“ (Chvostové čeľuste) na prednej strane riadiacej skrinky – strednej.
 - Biele pneumatiké vedenie (s vonkajším priemerom 4 mm) zatlačte do redukcie označenej ako „Signal“ (Signál) na prednej strane riadiacej skrinky – pravej strane.
- Medzi samčím konektorom v zadnej časti zosilňovača a hlavným prívodom vzduchu namontujte pneumatikú hadicu.

4.2 VZDUCHOVÉ KURZORY



Výber vzduchového kurzora

Komponenty čelnej zostavy nájdete v samostatnom údajovom liste 07900-00863.

KURZOR

DÔLEŽITÉ

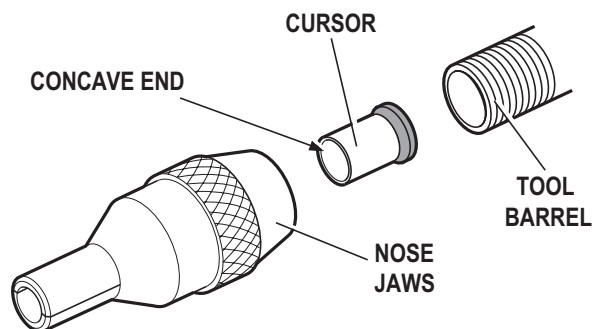
Ak nie je nasadený správne, kurzor neumožní vloženie upínacích prvkov do náradia a ich podávanie.

Kým bude kurzor správne nasmerovaný pri zásobovaní náradia, odporúčame vám skontrolovať jeho prevádzku pred nasadením zariadenia ústia. Mierne konkávny koniec kurzora by mal smerovať k prednej časti náradia tak, ako je znázornené na obrázku.

Ak chcete otočiť orientáciu kurzora, postupujte nasledovne:

Pri vykonávaní nasledujúceho postupu je potrebné postupovať mimoriadne opatrne. Je potrebné dávať pozor, aby ste sa vyhli hlavni a vyčnievajúcemu vretenu.

- Odstráňte čelnú zostavu, ak je nasadená.
- Do náradia úplne zasuňte prázdne vreteno.
- Zatvorte chvostové čeluste **32** otočením spínača chvostovej čeluste (položky **18** a **19**).
- Kurzor po krátkom oneskorení vyskočí z hlavne.
- Otvorte chvostové čeluste **32** vypnutím spínača chvostovej čeluste (položky **18** a **19**). Tým sa uvoľní vreteno.
- Odstráňte kurzor z vretena a vložte kurzor do hlavne.



4.3 VKLADANIE A VYBERANIE UPEVNŔOVACÍCH PRVKOV DO NÁRADIA

DÔLEŽITÉ

Postup pri vkladaní upevňovacích prvkov do náradia a pri montáži zariadenia ústia na náradie je integrálny.

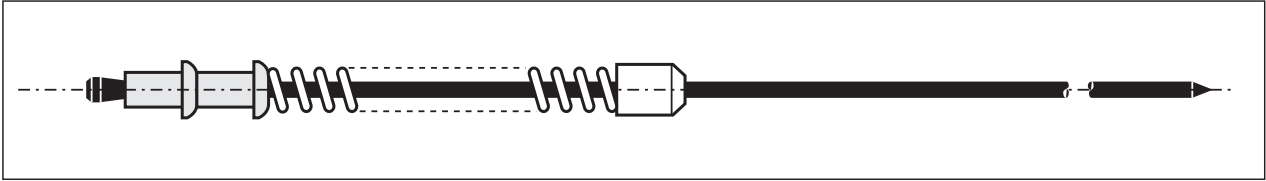
Pri objednávaní kompletného náradia alebo systému budete bežne zásobený so všetkými zariadeniami ústia potrebnými na umiestnenie upevňovacieho prvku.

Ak ste dostali čelusť ústia, vretená a pružiny upínadla vretena, postupujte pri vkladaní náradia a montáži zariadenia ústia tak, ako je to znázornené nižšie.

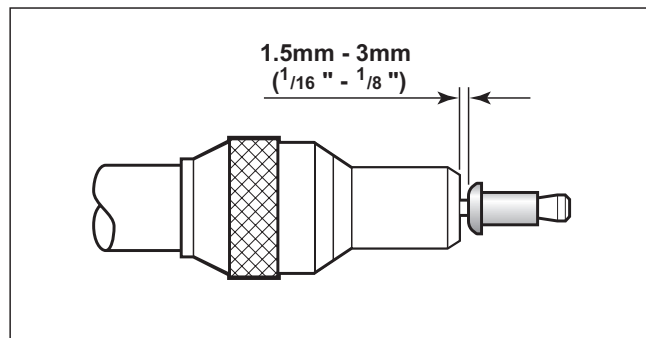
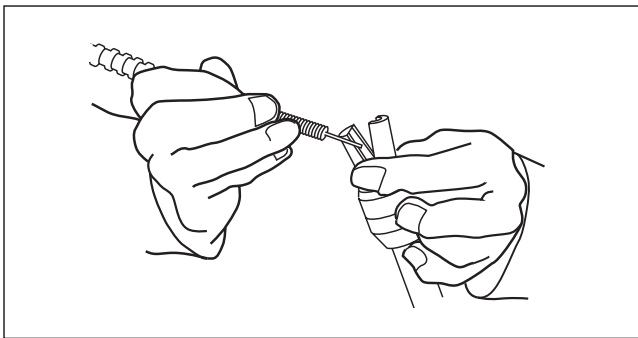
Čísla položiek označené **tučným písmom** sa vzťahujú na všeobecnú zostavu súčiastok a zoznam súčiastok pre náradie 07536-02200 na stranách 179 – 180.

Vkladanie náradia

- Pripojte prívod vzduchu k náradiu.
- Otvorte chvostové čeluste **32**, ktoré uchopia vreteno, vypnutím spínača chvostovej čeluste (položky **18 a 19**).
- Zaskrutkujte vybrané čeluste ústia na hlaveň **44** nástroja.
- * Vložte vreteno do konca upínacích prvkov cez papierovú tobolku.
- Posuňte pružinu upínadla vretena do vretena a zaistite správnu orientáciu.



- Uchopte zadný koniec vretena, odtrhnite papierovú tobolku z okolia upevňovacích prvkov.
- Otvorte čelust' ústia buď otočením vonkajšieho krúžku čelustí ovládanými vačkou, alebo zatlačením koncov čelustí smerom von, ako je znázornené vľavo dole.
- Zasuňte predtým namontované vreteno, pružinu upínadla vretena a upínadlá do čelustí ústia, až kým prvé upínadlo nezostane vyčnievať z čeluste ústia.
- Zatvorte čeluste ústia a nastavte ich tak, aby prvé upínadlo vyčnievalo o 1,5 mm – 3 mm ($1/16''$ až $1/8''$), ako je znázornené na obrázku vpravo dole.
- Zatvorte chvostové čeluste **32**, aby ste zabezpečili uchopenie vretena, a to otočením spínača chvostovej čeluste (položky **18 a 19**).

**OPĀTOVNÉ VLOŽENIE UPEVŇOVACÍCH PRVKOV DO NĀRĀDIA**

- Otvorte chvostové čeluste **32** náradia, a to vypnutím chvostových čelustí **18 a 19**).
- Otvorte čeluste ústia a vytiahnite prázdne vreteno a pružinu upínadla vretena von z náradia.
- Znova vložte upevňovacie prvky do náradia podľa vyššie uvedených pokynov, počnúc etapou •*.

Nastavenie náradia – iba nastaviteľné zostavy ústia

Vložte predtým zostavené vreteno (pozrite si časť Vkladanie upevňovacích prvkov do náradia •*) alebo jednorazové vreteno proti zarážke zostavy piestu chvostových čelustí **60**.

Držte vreteno, zatvorte chvostové čeluste **32**, ktoré uchopia vreteno, zapnutím spínača chvostovej čeluste (**18 a 19**).

Naskrutkujte poistnú maticu na hlaveň **44** náradia.

Otočením umiestnite čelnú zostavu na hlaveň **44**.

Čelnú zostavu nastavte tak, aby prvý upevňovací prvok vyčnieval o 1,5 mm – 3 mm ($1/16''$ – $1/8''$), ako je znázornené na obrázku na strane 171.

Utiahnite poistnú maticu proti čelnej zostave, aby ste zabránili pohybu zostavy čelnej čeluste.

Čísla položiek označené **tučným písmom** sa vzťahujú na všeobecnú zostavu súčiastok a zoznam súčiastok pre náradie 07536-02200 na stranách 179 – 180.

Opätovné vloženie upevňovacích prvkov do náradia

Otvorte chvostové čeluste náradia vypnutím spínača chvostových čelustí (**18 – 19**).

Otvorte čeluste a vytiahnite prázdne vreteno a pružinu upínadla von z náradia.

Vložte nové vreteno oproti zarážke v náradí a zatvorte chvostové čeluste **32**, ktoré upínajú vreteno, a to zapnutím spínača chvostových čelustí (**18 a 19**).

Zatvorte chvostové čeluste **32**.

4.4 PREVÁDZKOVÝ POSTUP**DÔLEŽITÉ**

Pred pokusom o obsluhu náradia musíte skontrolovať, či sú orientácia kurzora a zariadenie ústia správne.

- Zatlačte upínadlo vyčnievajúce z čelustí ústia úplne do otvoru na aplikáciu, čím sa zabezpečí, že nástroj je držaný pravouhlo.
- Spustite spúšť bez uvoľnenia - hlavica vretena sa potiahne cez upínadlo, formujúc upínadlo do aplikácie.
- Odstráňte nástroj.
- Uvoľnite spúšť. Nasledujúce upínadlo sa uvedie automaticky cez čeluste ústia, pripravené na umiestnenie.

5. SERVIS NÁRADIA

Pravidelná údržba by sa mala uskutočňovať ročne alebo každých 500 000 cyklov, podľa toho, čo nastane skôr.

DÔLEŽITÉ

Zamestnávateľ je zodpovedný za zabezpečenie toho, aby bol návod na údržbu náradia poskytnutý príslušnému personálu.
Operátor by sa nemal podieľať na údržbe alebo opravách náradia, pokiaľ nie je riadne vyškolený.

5.1 PNEUMATICKÁ RIADIACA SKRINKA

DÔLEŽITÉ

Pneumatická skrinka sa za žiadnych okolností nesmie otvárať. Táto skrinka je uzavretá časť.
Vnútorne nastavenia sú prednastavené a nesmú sa meniť ani sa nimi nesmie manipulovať.
Túto riadiacu skrinku smie demontovať iba autorizovaný personál spoločnosti STANLEY Engineered Fastening.

▲ UPOZORNENIE: Na čistenie nekovových častí náradia nikdy nepoužívajte rozpúšťadlá ani iné agresívne chemikálie. Tieto chemikálie môžu oslabiť materiály používané na týchto dieloch.

5.2 DENNÝ

- Denne, pred použitím alebo prvým uvedením náradia do prevádzky. Nalejte niekoľko kvapiek čistého mazacieho oleja do vzduchového vstupu zosilňovača, pokiaľ sa na vzduchovom privode nenachádza žiaden lubrikátor. Ak sa náradie používa sústavne, každé dve alebo tri hodiny je potrebné odpojiť hlavnú vzduchovú hadicu od hlavného privodu vzduchu a náradie namazať.
- Skontrolujte, či nedochádza k úniku vzduchu a oleja. V prípade poškodenia je možné nahradiť hadice a spojovacie diely.
- Ak sa na tlakovom regulátore nenachádza filter, pred pripojením vzduchovej hadice k zosilňovaču odvzdušnite vzduchový rozvod, aby ste z neho odstránili akumulované nečistoty alebo vodu. Ak je nasadený filter, prepláchnite ho.
- Skontrolujte, či je zariadenie ústia správne.
- Pravidelne kontrolujte vretená na príznaky opotrebovania alebo poškodenia, ktoré sledujú počet umiestnenia (prečítajte si bezpečnostné pokyny na strane 164 – 166).

5.3 TÝŽDENNÝ

- Vykonajte úplné „Denné“ postupy opísané vyššie.
- Odstráňte, skontrolujte, očistite a namažte chvostové čeluste (pozrite si „Valec chvostových čelustí“ v „časti Údržba“, strana 176).
- Skontrolujte, či je hladina oleja v nádržke jednotky zosilňovača približne 12 mm (1/2") pod priehľadnou krycou doskou.

5.4 MOLYLÍTOVÉ MAZIVO EP 3753 – BEZPEČNOSTNÉ ÚDAJE

Mazivo sa môže objednať ako samostatná položka, číslo dielu je zobrazené v servisnej zostave na strane 174.

Prvá pomoc

POKOŽKA:

Keďže vazelína je úplne odolná voči vode odstráňte ju najlepšie pomocou schváleného emulzného prostriedku na čistenie pleti.

POŽITIE:

Zabezpečte, aby jednotlivec vypil 30 ml hydroxidu horečnatého, najlepšie v šálke mlieka.

OČI:

Dráždivý, ale nie škodlivý. Vypláchnite vodou a vyhľadajte lekársku pomoc.

Oheň

BOD VZPLANUTIA: Nad 220 °C.

Nie je klasifikovaný ako horľavý.

Vhodné hasiace prostriedky: CO₂, halónová alebo vodná sprcha, ak ich použije skúsený operátor.

Životné prostredie

Zoškrabnite na spálenie alebo likvidáciu na schválenom mieste.

Zaobchádzanie

Používajte ochranný krém alebo odolné rukavice.

Skladovanie

Mimo tepla a oxidačného činidla.

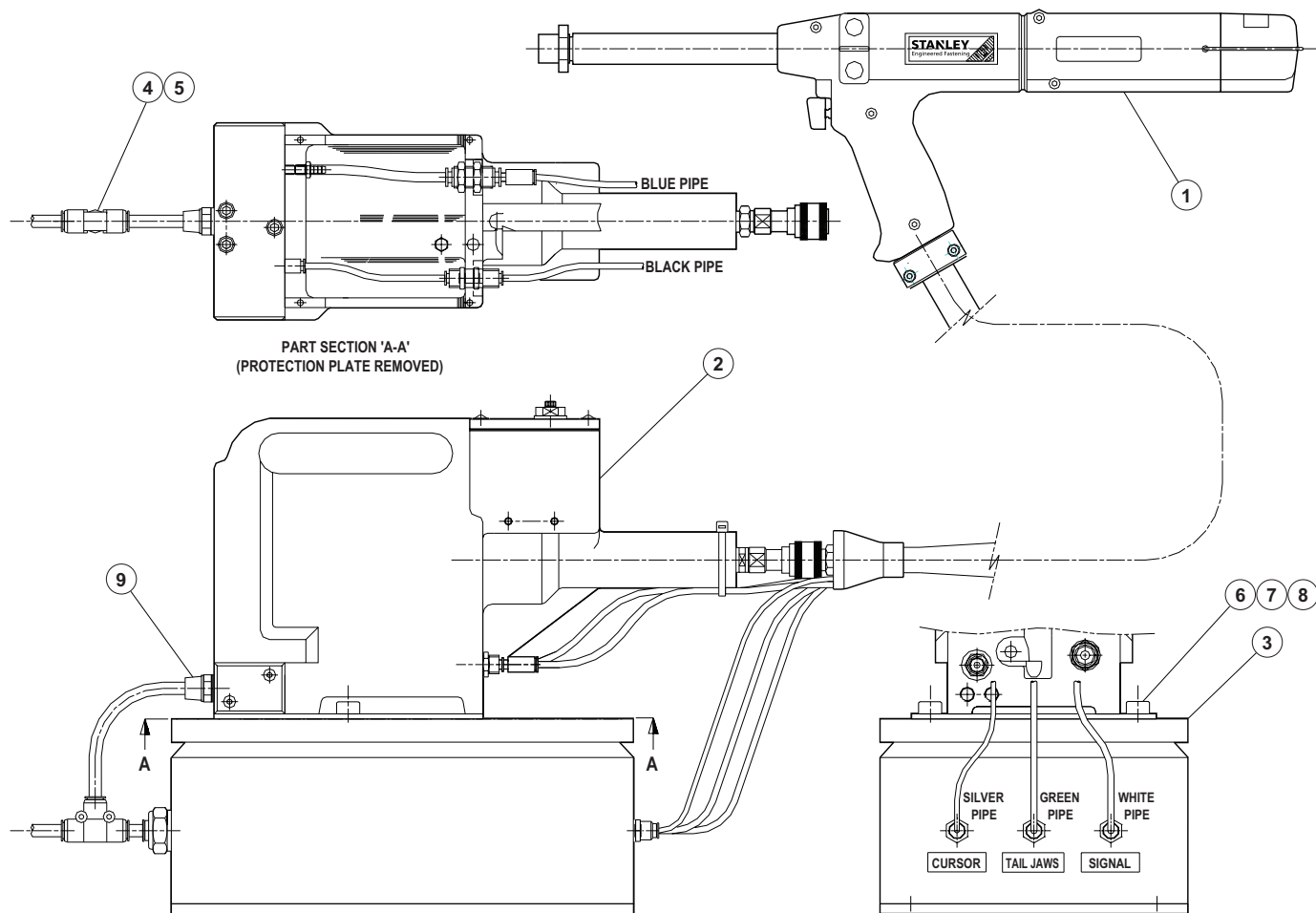
5.5 SERVISNÁ SÚPRAVA

Pri všetkých opravách odporúčame použiť servisnú súpravu (číslo dielu 07900-05300).

SERVISNÁ SÚPRAVA					
DIEL POLOŽKY Č.	POPIS	Č. VYP	DIEL POLOŽKY Č.	POPIS	Č. VYP
07900-00157	KLIEŠTE NA POISTNÉ KRÚŽKY	1	07900-00352	HÁČIK NA ODSTRÁNENIE TESNENIA	1
07900-00006	STIERKA	1	07900-00710	KLÚČ NA ODSTRÁNENIE ZÁTKY HLAVNE	1
07900-00446	SŤAHOVÁK	1	07900-00725	GULIČKA	1
07900-00603	ZVERÁKOVÉ ČELUSTE HLAVNE	1	07900-00243	SKRUTKOVAČ	1
07900-00520	TYČ $\frac{3}{8}$ "	1	07900-00717	KLÚČ NA ZOSILŇOVAČ	1
07900-00521	TYČ $\frac{1}{4}$ "	1	07900-00013	IMBUSOVÝ KLÚČ $\frac{1}{8}$ "	1
07900-00602	ZOSTAVA TESNIACEHO KRÚŽKU GULIČKY	1	07900-00617	BALENIE LOCTITE® MULTI-TESNENIE 574 50 ml	1
07900-00595	KLÚČ 18mm	1	07900-00469	ŠEŠTUHOLNÍKOVÝ KLÚČ 2,5 mm	1
07900-00434	KLÚČ 32mm	1	07900-00351	ŠEŠTUHOLNÍKOVÝ KLÚČ 3 mm	1
07900-00237	$\frac{3}{8}$ " \times $\frac{5}{16}$ " B.S.W. SKRUTKOVAČ	1	07900-00224	ŠEŠTUHOLNÍKOVÝ KLÚČ 4 mm	1
07900-00012	KLÚČ $\frac{9}{16}$ " \times $\frac{5}{8}$ "	1	07900-00225	ŠEŠTUHOLNÍKOVÝ KLÚČ 5 mm	1
07900-00008	KLÚČ $\frac{7}{16}$ " \times $\frac{1}{2}$ "	1	07992-00020	MOLYLÍTIOVÉ MAZIVO EP 3753 80 g PLECHOVKA	1

Poznámka: Ak nie je uvedené inak, veľkosti kľúčov sa merajú „medzi stenami“.

5.6 ZOSTAVA VZDUCHOVÉHO KURZORA NÁRADIA, ZOSILŇOVAČA A RIADIACEJ SKRINKY 07536-02100



POLOŽKA	Č. DIELU	POPIS	Č. VYP
1	07536-02200	VZDUCHOVÝ KURZOR RUČNÉHO NÁRADIA	1
2	07531-02200	ZOSILŇOVAČ	1
3	07007-02024	RIADIACA SKRINKA VZDUCHOVÉHO KURZORA	1
4	07005-10071	KONEKTOR V TVARE T	1
5	07005-10072	8 MM POTRUBIE (2,50 m)	1
6	74405-12080	UPRAVENÁ MATICA M8	8
7	07001-00469	SKRUTKA S VNÚTORNÝM ŠEŠŤHRANOM M8 x 15	2
8	07002-00105	PODLOŽKA M8	4
9	07005-01573	8 MM TRUBICA S KONEKTOROM S VONKAJŠÍM ZÁVITOM	1
10	07005-01977	REDUKCIA S VONKAJŠÍM 6 MM/ VNÚTORNÝM 4 MM ZÁVITOM	1

6. ÚDRŽBA

Každých 500 000 cyklov by sa mal nástroj úplne demontovať a nové komponenty by sa mali použiť namiesto opotrebovaných, poškodených alebo vtedy, keď sa to odporúča. Pred montážou musia byť všetky tesniace krúžky a tesnenia obnovené a namazané molytiovým mazivom EP 3753.

DÔLEŽITÉ

Bezpečnostné pokyny sa nachádzajú na strane 4.

Zamestnávateľ je zodpovedný za zabezpečenie toho, aby bol návod na údržbu náradia poskytnutý príslušnému personálu.

Operátor by sa nemal podieľať na údržbe alebo opravách náradia, pokiaľ nie je riadne vyškolený.

Pred vykonaním akéhokoľvek servisu alebo demontáže musí byť vzduchový rozvod odpojený, pokiaľ nie je výslovne uvedené inak.

Odporúča sa, aby sa demontáž vykonávala v čistých podmienkach.

Pred demontážou nástroja potrebujete odstrániť zariadenie ústia.

Pre celkový servis náradia odporúčame, aby ste pri demontáži podzostáv postupovali v nižšie uvedenom poradí po odpojení hydraulikkej hadice od jednotky zosilňovača, vzduchových vedení od zosilňovača a riadiacej skrinky, čím sa oddelí pištoľová jednotka od jednotky zosilňovača.

Potenciálne nebezpečné látky, ktoré sa mohli usadiť na stroji v dôsledku pracovných procesov, je nevyhnutné odstrániť pred údržbou.

6.1 DEMONTÁŽ NÁRADIA 07536-02200

VALEC CHVOSTOVEJ ČELUSTE

- Odstráňte manuálne prídružnú sponu **53** a vyberte koncový uzáver **59**.
- Pomocou imbusového kľúča* odstráňte jednu skrutku s vnútorným šesťhranom **6**, aby sa vyčerpala zachytený vzduch vo valci chvostovej čelusti. Odstráňte druhú skrutku s vnútorným šesťhranom **6**.
- Vytiahnite zadnú zátku **50**. **Poznámka:** Na uľahčenie vyberania je na zadnej strane zástrčky 5 mm závit.
- Odstráňte komponenty vzduchovej chvostovej čeluste, a to vrátane zostavy piestu chvostovej čeluste **60**, záražky **52**, tesniaceho krúžku **12** a čelustí **32**.
- Vyberte zostávajúce komponenty pozostávajúce z pružiny 36 a krytu čeluste **42**.
- Voľná dĺžka pružiny **36** by mala byť 38,1 mm (1,5"). V prípade potreby vymeňte.
- Odstráňte tesniaci krúžok zostavy piestu **11**.
- Odpojte skladaciu tubu vzduchového kurzora (zelenú) **49** z kĺbového konektora **22**.
- Odpojte skladaciu tubu vzduchového kurzora (striebornú) **38** z ozubeného kľbu **30**.
- Pomocou imbusového kľúča* odstráňte všetkých päť zaisťovacích skrutiek rukoväti **3**, **4** a všetky štyri matice **8** z rukoväti náradia.
- Uchopte hlavne **44** vo zveráku pomocou mäkkých čelustí*, aby ste predišli poškodeniu.
- Pomocou nástrčkového kľúča* uvoľnite zátku hlavne **46**, pričom bráňte otočeniu hlavne **44** pomocou kľúča s otvoreným koncom*.
- Vytiahnite valec chvostovej čeluste **47** z náradia.
- Odstráňte tesniaci krúžok **14**, gumený pásik **41** a spätnú pružinu hlavne **37**.
- Pred montážou natrite prednú stranu chvostových čelustí **32**, ktorá je v kontakte s krytom čeluste **42**, molytiovým mazivom.
- Zmontujte v opačnom poradí ako pri demontáži.

*Vzťahuje sa na položky zahrnuté v servisnej súprave náradia 0753 Mkl. Úplný zoznam nájdete na strane 174.

Čísla položiek uvedené **tučným písmom** sa vzťahujú na celkové zostavy a zoznamy dielov na stranách 179 – 180.

HYDRAULICKÝ PIEST

- Odstráňte valec chvostovej čeluste **47** tak, ako je popísané vyššie.
- Uchopte telo **45** vo zveráku pomocou mäkkých čelustí*, aby ste predišli poškodeniu, odtiahnite obmedzovač zdvihu **40**.
- Pomocou imbusového kľúča* uvoľnite skrutku **5**, ktorá upína blok spínača **54** k hlavni **44**.
- Držte náradie pevne a vytiahnite hlavň **44** z tela **45** (z vnútra zostavy hlavy sa môže uvoľniť malé množstvo hydraulického oleja).
- Odstráňte opatrne piest **39**, aby nedošlo k poškodeniu otvoru v hlave.
- Odstráňte tesnenie **16**.
- Tesnenie **17** sa dá ťažko odstrániť bez poškodenia, ale môže zostať na mieste počas čistenia (ak nie je ovplyvnené čistiacim procesom). Ak si však tesnenie **17** vyžaduje obnovu, postupujte takto:
- Pomocou špachtle* vypáčte tesnenie **17** z tela **45**, pričom dávajte pozor, aby ste nepoškodili dutinu a otvory v tele. Odstránené tesnenie **17** MUSÍ byť zlikvidované.
- Ak chcete vymeniť tesnenie **17**, odskrutkujte zostavu odvzdušňovacej skrutky **43**, kým vnútorná strana nebude na úrovni vnútorného otvoru tela **45**. To poskytne hladký priechod pre vloženie nového tesnenia **17** cez zadnú časť tela **45**.
- Uistite sa, že tesnenie **17** je dobre namazané a správne smerom k otvorenému koncu tesnenia smerujúce k zadným chvostovým čelustiam.
- Zmontujte zostavu v opačnom poradí ako pri demontáži.

ZOSTAVA SPÚŠTE

- Ak chcete vykonať demontáž/servis zostavy, odstráňte kryty z náradia tak, ako je popísané vyššie.
- Odpojte všetky vzduchové hadice od zostavy a dávajte pozor, aby ste ju nepoškodili. Odstráňte zostavu.
- Pomocou kľúča* odskrutkujte držiak **34** a odstráňte ho. Dbajte na to, aby ste uschovali pružinu **31**.
- Vypáčte tesniaci krúžok **10**, pričom dávajte pozor, aby ste nepoškodili sedlá vretena **35** a držiaka **34**.
- Vyčistite a znova namontujte pomocou nového tesniaceho krúžku **10**.
- Skontrolujte dĺžku pružiny **31**, ktorá musí mať voľnú dĺžku 12,7 mm (0,5") – v prípade potreby ju vymeňte.
- montujte v opačnom poradí ako pri demontáži.

ZAP./VYP. VENTILU CHVOSTOVEJ ČELUSTE

- Jednotka je navrhnutá tak, aby počas životnosti nástroja bola potrebná minimálna údržba.
- Ak je potrebné demontovať ventil, postupujte nasledovne:
- Demontujte kryt spúšte **56** podľa popisu v časti „Hydraulický piest“.
- Pomocou skrutkovača*, opatrne odstráňte chrómovú podložku Star-lock **18** z cievky vzduchovej chvostovej čeluste **55** a odložte podložku.
- Vytiahnite cievku vzduchovej chvostovej čeluste **55** zo spínača bloku **54**.
- Dbajte na to, aby nedošlo k poškodeniu cievky vzduchovej chvostovej čeluste **55**, odstráňte tesniace krúžky **12**.
- Vyčistite cievku a znova namontujte nové tesniace krúžky **12** pomocou montážnej guľôčky* a vložte do spínača bloku **54**, pričom si všimnite orientáciu.
- Nasadte novú chrómovú podložku Star-lock **18** pomocou upnutia do zveráku s mäkkými čelustami, aby ste predišli poškodeniu. NEPOUŽÍVAJTE NADMERNÚ SILU.
- Zmontujte zostavu v opačnom poradí ako pri demontáži.

VEKO RUKOVÄTI A UZÁVERU

- Vyčistite a skontrolujte lišty kvôli prasklinám a iným poškodeniam.

*Vzťahuje sa na položky zahrnuté v servisnej súprave náradia 0753 Mkl. Úplný zoznam nájdete na strane 174. Čísla položiek uvedené **tučným písmom** sa vzťahujú na celkové zostavy a zoznamy dielov na stranách 179 – 180.

KURZOR

- Vyčistite a príležitostne naolejujte zostavu kurzora trochou ľahkého oleja.

DÔLEŽITÉ

**Skontrolujte náradie pred každodennou a týždennou údržbou.
Pri demontáži náradia a pred jeho uvedením do prevádzky je VŽDY nevyhnutné naplnenie.**

*Vzťahuje sa na položky zahrnuté v servisnej súprave náradia 0753 MkII. Úplný zoznam nájdete na strane 174.
Čísla položiek uvedené **tučným písmom** sa vzťahujú na celkové zostavy a zoznamy dielov na stranách 179 – 180.

6.3 ZOZNAM DIELOV ZÁKLADNÉHO NÁRADIA 07536-02200

ZOZNAM DIELOV 07536-02200										
POLOŽKA	Č. DIELU	POPIS	MNŽ.	NAHRADNÉ DIELY	POLOŽKA	Č. DIELU	POPIS	MNŽ.	NAHRADNÉ DIELY	
1	07007-00392	KÁBLOVÝ ZVÁZOK (NEZOBRAZENÝ)	1	-	34	07220-00803	DRŽIAK	1	-	
2	07001-00499	DLHÁ NASTAVOVACIA SKRUTKA S VNÚTORNÝM ŠESTHRANOM M3 x 5	3	-	35	07241-00208	HRIADEL	1	-	
3	07001-00262	DLHÁ SKRUTKA S VNÚTORNÝM ŠESTHRANOM M4 x 22	1	-	36	07154-00404	PRUŽINA	1	-	
4	07001-00401	DLHÁ SKRUTKA S VNÚTORNÝM ŠESTHRANOM M4 x 10	4	-	37	07490-03002	SPÁTNÁ PRUŽINA HLAVNE	1	-	
5	07001-00404	DLHÁ NASTAVOVACIA SKRUTKA S VNÚTORNÝM ŠESTHRANOM M5 x 6	1	-	38	07536-02211	3 MM SKLADACIA TUBA VZDUCHOVÉHO KURZORA – STRIEBORNÁ	1	-	
6	07001-00504	DLHÁ SKRUTKA S VNÚTORNÝM ŠESTHRANOM M4 x 6	2	2	39	07536-00203	PIEST	1	-	
7					40	07530-00204	OBMEDZOVAC ZDVIHU	1	-	
8	07002-00134	ŠESTHRANÁ MATICA M4	4	-	41	07530-00206	POVRCHOVÁ PÁSKA	1	1	
9	07002-00153	PODLOŽKA M4 (PLASTOVÁ)	2	-	42	07536-00208	PUZDRO ČELUSTE	1	-	
10	07003-00022	TESNIACI KRÚŽOK	1	-	43	07530-00500	ZOSTAVA ODVZDUŠŇOVACEJ ZÁTKY (POLOŽKY 62 až 65) ●	1	-	
11	07003-00113	TESNIACI KRÚŽOK	3	3	44	07536-02201	HLAVEN	1	-	
12	07003-00121	TESNIACI KRÚŽOK	3	3	45	07530-02202	TELO	1	-	
13	07003-00142	LEPENÉ TESNENIE 1/8" BSP	1	1	46	07530-02205	ZÁVIT HLAVNE	1	-	
14	07003-00167	TESNIACI KRÚŽOK	1	1	47	07536-02207	VALEC CHVOSTOVEJ ČELUSTE	1	-	
15	07003-00386	TESNIACI KRÚŽOK	2	-	48	07530-02210	ŠTÍTOK	2	-	
16	07003-00236	TESNENIE [DYNAMICKÉ]	1	1	49	07536-02212	4 MM SKLADACIA TUBA VZDUCHOVÉHO KURZORA – ZELENÁ	1	-	
17	07003-00237	TESNENIE (STATICKÉ)	1	-	50	07536-02213	ZADNÁ ZÁTKA	1	-	
18	07004-00058	CHRÓMOVÁ PODLOŽKA STARLOCK 1/8"	1	-	51	07530-00310	ZASLEPOVACIA ZÁTKA	2	-	
19	07004-00059	ČIERNA PODLOŽKA STARLOCK 1/8"	1	-	52	07536-02214	ZARÁŽKA	1	-	
20	07005-10073	3 MM KONEKTOR	1	-	53	07530-02220	SPONA	1	-	
21	07005-01357	OBJÍMKOVÝ KONEKTOR	1	-	54	07530-02301	SPÍNAČ BLOKU	1	-	
22	07005-01571	KÍBVOVÝ KONEKTOR	3	-	55	07530-02302	ČIEVKA VZDUCHOVÉJ CHVOSTOVEJ ČELUSTE	1	-	
23	07536-02216	POISTNÁ MATICA	1	-	56	07530-02311	PUZDRO SPÚŠTE	1	-	
24	07005-10074	2 MM KONEKTOR	1	-	57	07536-02601	PRÁVÁ ZOSTAVA RUKOVÄTI	1	-	
25	07007-00017	OCHRANINÝ KRYT PROTI PRACHU	1	-	58	07536-02602	ĽAVÁ ZOSTAVA RUKOVÄTI	1	-	
26	07007-00300	TLAČIDLO SPÚŠTE	1	-	59	07530-02603	KONCOVÝ UZÁVER	1	-	
27	73200-02022	BEZPEČNOSTNÝ ŠTÍTOK	1	-	60	07536-02800	ZOSTAVA PIESTU CHVOSTOVEJ ČELUSTE	1	-	
28	07007-01504	ŠTÍTOK S OZNAČENÍM CE	1	-	61	07536-02215	SPOJOVACÍ ADAPTÉR	1	-	
29	07008-00438	ZOSTAVA OHYBNEJ HADICE	1	-	62	07003-00142	● LEPENÉ TESNENIE (NEZOBRAZENÉ)	1	1	
30	07005-01323	OZUBENÝ KÍB M3	1	-	63	07003-00194	● LEPENÉ TESNENIE (NEZOBRAZENÉ)	1	1	
31	07125-00215	PRUŽINA	1	-	64	07001-00442	● SKRUTKA (NEZOBRAZENÁ)	1	1	
32	07151-00403	KONCOVÉ ČELUSTE	1	2	65	07530-00501	● ZÁTKA (NEZOBRAZENÁ)	1	-	
33	07003-00016	TESNIACI KRÚŽOK	1							

6.4 POKYNY NA DEMONTÁŽ

- Pri demontáži zostavy zosilňovača najprv odpojte hadicu prívodu vzduchu od konektora vstupu zosilňovača **22**.
- Pomocou imbusového kľúča* odskrutkujte štyri skrutky **27** a odstráňte ochrannú dosku **24**.
- Odpojte hadicu spúšte **47** z ventilu zosilňovača **43** alebo **48** stlačením vonkajšej objímky a vytiahnutím hadice.
- Odstráňte kryciu dosku **4** a tesnenie **35** odskrutkovaním skrutiek **37** a podložiek **36** pomocou imbusového kľúča*.
- Uistite sa, že tesnenie nie je poškodené, aby sa zaistilo správne tesnenie zostavy.
- Prevráťte zostavu zosilňovača a vypustite olej zo zásobníka do vhodnej nádoby.
- Odstráňte rýchloupínací konektor **32** spolu s konektorom **31** a tesneniami **33** pomocou vhodného kľúča*.
- Odstráňte ventil zosilňovača **43** alebo **48** odskrutkovaním upevňovacích skrutiek pomocou vhodného kľúča a dbajte na to, aby sa tesniaci krúžok **21** umiestnený na odliatku tela zosilňovača ponechal na svojom mieste.
- Odstráňte skrutku **19** pomocou vhodného imbusového kľúča* a odstráňte kryt tlmiča **16**, penový tlmič **15**, rozpierku **18** a pridržiavaciu dosku **20**.
- Vytiahnite 6 mm plastovú rúrku **41** z odsávacích konektorov **42**.
- Zo spodnej časti zosilňovača vložte 3 mm imbusový kľúč* cez dva otvory a odskrutkujte odsávacie konektory **42**.
Poznámka:
 - Je potrebné postupovať opatrne, pretože odsávacie konektory sú zaistené a utesnené pomocou prípravku Loctite® 574.
 - Ak je ťažké ich odstrániť, odsávacie konektory je možné odvrtať vrtákom s priemerom $\frac{3}{16}$ " alebo 4,7 mm.
- Pri opätovnej montáži odsávacích konektorov **42** je potrebné dodržať nasledujúci postup: -
 - Odsávacie konektory namačte do vhodného základného laku, napr. Perma Bond A905.
 - Do otvoru so závitom zosilňovača kvapnite kvapku prípravku Loctite® 574.
 - Zo spodnej časti zosilňovača zasuňte imbusový kľúč* cez otvor. Pred vložením do odsávacieho konektora sa uistite, že sa na imbusovom kľúči* nenachádza prípravok Loctite® 574.
 - Otočte imbusový kľúč a zároveň naneste Loctite® 574 na základňu odsávacieho konektora.
 - Zaskrutkujte odsávací konektor do zosilňovača a uistite sa, že v spodnej časti prípojky je dostatok prípravku Loctite® 574 tak, aby nebolo vidieť závit.
- Pomocou skrutkovača opatrne vyberte vnútorný pridržiavací krúžok **14**. Vyčistite a skontrolujte drážku, či nevykazuje známky poškodenia.
- Pomocou sťahováka* vložte koniec s vonkajším závitom do koncového krytu **12** a vytiahnite ho spolu s objímkou zosilňovača **28** a tesniacimi krúžkami **10** a **13**.
- Vložte tyč* cez otvor konektora v prednej časti tela zosilňovača a vyklepte tyč piestu **9** a zostavu piestu.
- Pomocou vhodného imbusového kľúča* odskrutkujte dve skrutky **25** a odstráňte koncový kryt **12** z objímky zosilňovača **28**.
- Odstráňte tesniacu zátku **7** pomocou kľúča*.
- Vložte tyč* cez otvor konektora v prednej časti tela zosilňovača a vytlačte tesniace puzdro **5** a súvisiace tesniace krúžky a okrajové tesnenia.
- Pomocou vhodného kľúča* vyberte zostavu telesa ventilu **34** z hlavného tela. Vyčistite ofúknutím nízkotlakovým prúdom vzduchu.
- Odstráňte tyč piestu **9** zo vzduchového piestu zosilňovača **11** uchopením prvých 20 mm (3/4") tyče do zveráka vybaveného mäkkými čelustami, pričom dávajte pozor, aby ste nepoškodili alebo nepoškriabali pracovnú plochu.
- Odskrutkujte poistnú maticu **17** pomocou vhodného kľúča*.
- Zostavte v opačnom poradí ako pri demontáži, pričom dodržte nasledujúce body:
 - Vyčistite všetky diely a tesniace krúžky vymeňte za nové.
 - Všetky tesnenia namažte molybdénovým mazivom.

*Vzťahuje sa na položky zahrnuté v servisnej súprave náradia 0753 MkII. Úplný zoznam nájdete na strane 174. Čísla položiek uvedené **tučným písmom** sa vzťahujú na obrázok a zoznam dielov na opačnej strane.

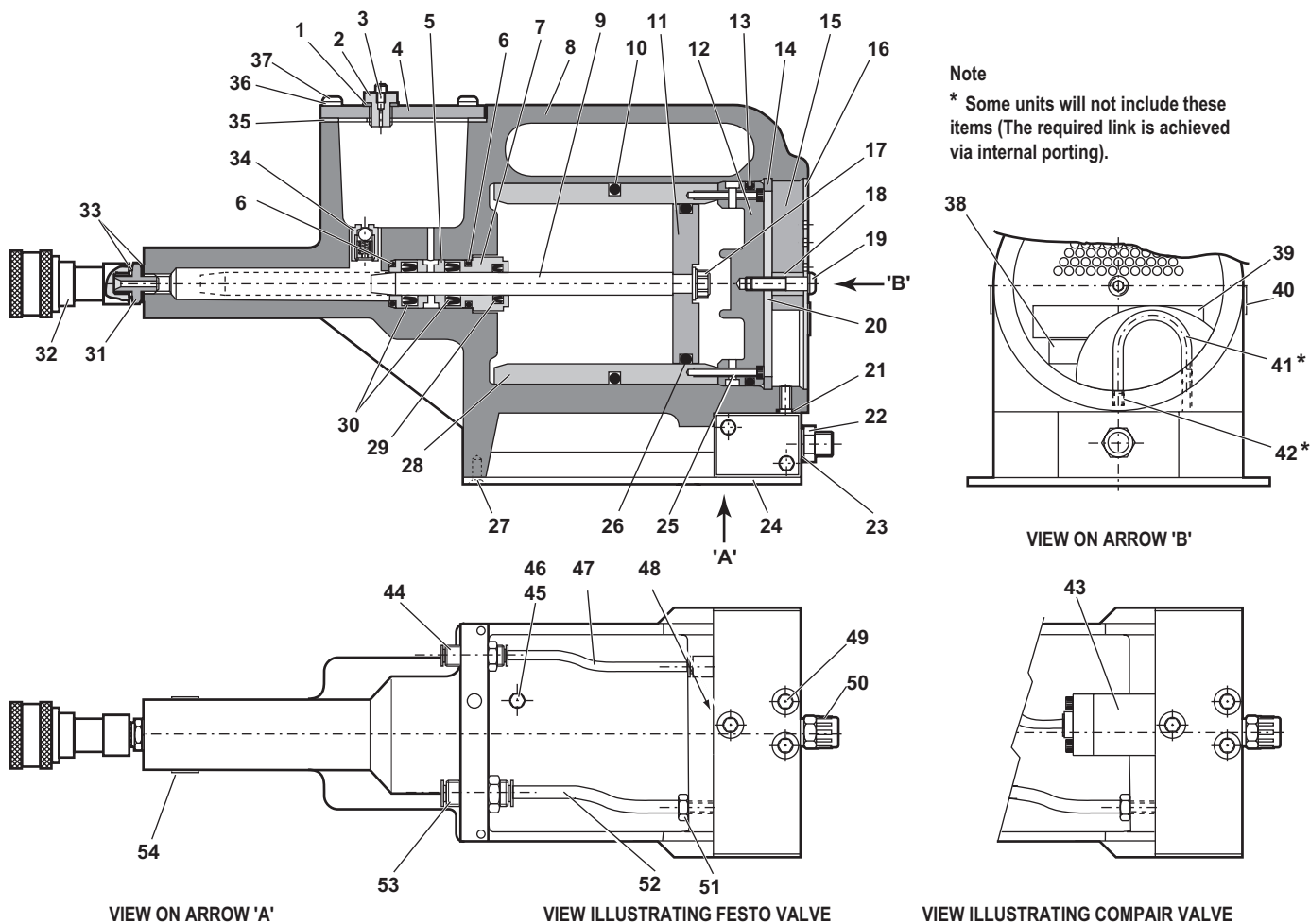
- Zostava telesa ventilu **34** sa musí opätovne namontovať pomocou lepidla na utesnenie závitov.
- Zmontujte zostavu piesta pomocou novej matice **17**.
- Koncový kryt **12** sa musí správne umiestniť do pridržiavacieho krúžka **14**. Náradie sa nesmie používať, ak nie je nasadený koncový kryt.

DÔLEŽITÉ

Pri demontáži náradia a pred jeho uvedením do prevádzky je **VŽDY** nevyhnutné naplnenie.

6.5 OCHRANA ŽIVOTNÉHO PROSTREDIA

Zaistite zhodu s platnými predpismi o likvidácii. Zlikvidujte všetky odpadové produkty v schválenom zariadení na likvidáciu odpadu alebo v prevádzke tak, aby ste nevystavovali zamestnancov ani životné prostredie nebezpečenstvu.

6.6 ZOSILŇOVAČ 07531-02200

Note

* Some units will not include these items (The required link is achieved via internal porting).

*Vzťahuje sa na položky zahrnuté v servisnej súprave náradia 0753 MklI. Úplný zoznam nájdete na strane 174. Čísla položiek uvedené **tučným písmom** sa vzťahujú na obrázok a zoznam dielov na opačnej strane.

ZOZNAM DIELOV 07531-02200														
POLOŽKA	Č. DIELU	POPIS	MNŽ.	NAHRADNÉ DIELY	POLOŽKA	Č. DIELU	POPIS	MNŽ.	NAHRADNÉ DIELY	POLOŽKA	Č. DIELU	POPIS	MNŽ.	NAHRADNÉ DIELY
1	07003-00037	TESNENIE	1	1	28	07531-00201	OBJÍMKA	1	-				1	-
2	07240-00211	PLNIACA SKRUTKA	1	-	29	07003-00337	OKRAJOVÉ TESNENIE	1	1				1	1
3	07001-00418	ODVZDUŠŇOVACIA SKRUTKA	1	1	30	07003-00336	OKRAJOVÉ TESNENIE	2	2				2	2
4	07240-00210	KRYCIA DOSKA	1	-	31	07005-00406	KONEKTOR	1	-				1	-
5	71420-02006	TESNIACE PUZDRO	1	-	32	07005-00759	RÝCHLOUPÍŇACÍ KONEKTOR	1	-				1	-
6	07003-00153	TESNIACI KRÚŽOK	2	-	33	07003-00142	TESNENIE	2	2				2	1
7	71420-02007	TESNIACA ZÁTKA	1	-	34	07240-00400	ZOSTAVA KRYTU VENTILU	1	-				1	-
8	71420-02300	ZOSTAVA TELA	1	-	35	07240-00209	TESNENIE	1	1				1	1
9	71420-02008	TYČ Piestu	1	-	36	07002-00073	PODLOŽKA	4	4				4	1
10	07003-00182	TESNIACI KRÚŽOK	1	1	37	07001-00554	SKRUTKA	4	4				4	1
11	07531-00202	VZDUCHOVÝ PIEST	1	-	38	07007-01504	ŠTÍTOK	1	-				1	-
12	07531-00204	KONCOVÝ KRYT	1	-	39	07240-00217	ŠTÍTOK	1	-				1	-
13	07003-00183	TESNIACI KRÚŽOK	1	1	40	07531-00205	ŠTÍTOK	2	-				2	-
14	07004-00069	PRIDRŽIAVACÍ KRÚŽOK	1	1	41	07005-00596	* PLASTOVÁ RÚRKA 6 mm	-	-				-	-
15	07240-00213	PENOVÝ TLMIČ	1	1	42	07245-00103	* ODSÁVACÍ KONEKTOR	2	-				2	-
16	07240-00214	KRYT TLMIČA	1	-	43	07005-00590	VENTIL COMPAIR	1	1				1	1
17	07002-00017	MATICA	1	1	44	07005-01431	PREPÁŽKOVÝ KONEKTOR	1	1				1	1
18	07240-00215	ROZPERA	1	-	45	07005-00668	ZÁTKA M5	1	-				1	-
19	07001-00417	SKRUTKA	1	1	46	07005-00670	TESNIACI KRÚŽOK M5	1	-				1	-
20	07240-00216	PRIDRŽIAVACIA DOSKA	1	-	47	07005-01084	PLASTOVÁ RÚRKA 4 mm (150 mm)	-	-				-	-
21	*07003-00042	TESNIACI KRÚŽOK	1	1	48	07005-01524	VENTIL TYPU FESTO	1	1				1	-
22	07005-00041	KONEKTOR	1	-	49	07001-00176	SKRUTKA	3	-				3	-
23	07003-00065	PODLOŽKA	1	-	50	07007-00292	ČERVENÁ ZÁTKA 1/4" BSP	1	-				1	-
24	07240-00220	OCHRANNÁ DOSKA	1	-	51	07005-00647	KONEKTOR	1	-				1	-
25	07001-00375	SKRUTKA	2	-	52	07005-01085	PLASTOVÁ RÚRKA 6 mm (150 mm)	-	-				-	-
26	07003-00238	TESNIACI KRÚŽOK	1	1	53	07005-00855	PREPÁŽKOVÁ SPOJKA	1	-				1	-
27	07001-00396	SKRUTKA	4	-	54	73200-02022	BEZPEČNOSTNÝ ŠTÍTOK	1	-				1	-

7. PLNENIE

Pri demontáži náradia a pred jeho uvedením do prevádzky je VŽDY nevyhnutné naplnenie. Môže byť tiež potrebné obnoviť plný zdvih po značnom použití, keď môže byť zdvih znížený a upínadlá nie sú úplne umiestnené jednou činnosťou spúšťača.

7.1 INFORMÁCIE O OLEJI

Odporúčany olej na naplnenie je Hyspin® VG32 a AWS 32 k dispozícii v 0,5 l (číslo dielu 07992-00002) alebo jedno galónových nádobách (číslo dielu 07992-00006). Pozrite si nižšie uvedené bezpečnostné údaje.

7.2 OLEJ HYSPIN® VG32 A AWS 32 – BEZPEČNOSTNÉ ÚDAJE

Prvá pomoc

POKOŽKA:

Dôkladne umyte mydlom a vodou čo najskôr. Náhodný kontakt nevyžaduje okamžitú pozornosť. Krátkodobý kontakt nevyžaduje okamžitú pozornosť.

POŽITIE:

Okamžite vyhľadajte lekársku pomoc. NEVYVOLÁVAJTE zvracanie.

OČI:

Okamžite vyplachujte vodou po dobu niekoľkých minút. Aj keď NIE je primárnym dráždením, môže dôjsť k malému podráždeniu po kontakte.

Oheň

Vhodné hasiace prostriedky: CO₂, suchý prášok, pena alebo vodná hmla. NEPOUŽÍVAJTE vodné trysky.

Životné prostredie

LIKVIDÁCIA ODPADU: Prostredníctvom autorizovaného dodávateľa na licencovanom mieste. Môže byť spálený. Použitý výrobok môže byť odoslaný na opätovné spracovanie.

ÚNIK: Zabráňte vniknutiu do odtoku, kanalizácie a vodných tokov. Nasajte pomocou savého materiálu.

Zaobchádzanie

Používajte ochranu očí, nepriepustné rukavice (napr. z PVC) a plastovú zásteru. Používajte v dobre vetranom priestore.

Skladovanie

Žiadne špeciálne opatrenia.

7.3 POSTUP PLNENIA

DÔLEŽITÉ

NEPOUŽÍVAJTE SPÚŠŤ, AK JE ODSTRÁNENÁ ODVZDUŠŇOVACIA SKRUTKA

Všetky činnosti by sa mali vykonávať na čistej lavici s čistými rukami v čistom priestore.

Uistite sa, že nový olej je dokonale čistý a neobsahuje vzduchové bubliny.

Údržba sa musí vždy vykonať tak, aby sa zabezpečilo, že žiadne cudzie teleso nevojde do nástroja alebo nemôže dôjsť k vážnej škode.

- Odstráňte skrutku **2** a tesnenie **1** z plastovej krycej dosky **4** na nádržke zosilňovača.
- Nalejte plniaci olej do nádržky, kým nebude približne 12 mm (1/2") od vrchu.
- Znovu nasadte skrutku **2** a tesnenie **1**.
- Jednotku zosilňovača pripojte k prívodu vzduchu. Odstráňte skrutku z nádržky.
- Keď je pištoľová jednotka 07536 namontovaná na jednotke zosilňovača a udržiavaná pod úrovňou zosilňovača, odskrutkujte odvzdušňovaciu skrutku **64** zo zostavy odvzdušňovacej zátky **43** na náradí 07536 o dve otáčky a nechajte olej vytečť z náradia.
- Keď olej voľne vyteká a netvorí sa vzduchové bubliny, dotiahnite odvzdušňovaciu skrutku.
- Nádržku na jednotke zosilňovača doplňte plniacim olejom.
- Nechajte náradie bežať v cykloch dovtedy, kým sa vzduchové bubliny prítomné v oleji nevytlačia do olejovej nádrže.

Čísla položiek uvedené **tučným písmom** sa vzťahujú na celkové zostavy a zoznamy dielov na stranách 179 – 182.

8. DIAGNOSTIKA PORÚCH

PRÍZNAK	MOŽNÁ PRÍČINA	RIEŠENIE	STRANA REFERENCIE
Náradie neumiestňuje upevňovacie prvky	Nízky tlak vzduchu.	Zvýšte tlak vzduchu	
	Nedostatok mazania.	Mazací nástroj v mieste vstupu vzduchu	
	Vysoké zaťaženie preťahováka.	Skontrolujte uchytenie upínadla a veľkosť otvoru aplikácie	
	Skontrolujte správnu veľkosť vretena.		
	Chvostové čeluste vypnuté.	Zapnite chvostové čeluste	
	Vzduch v hydraulickom systéme.	Pozrite „Postup naplnenia“	184
„Vreteno sa kľže“ - čeluste neuchytia vreteno	Opotrebované alebo špinavé chvostové čeluste.	V prípade potreby vyčistite alebo obnovte	
	„Nedostatok tlaku vzduchu/objemu.“	Zvýšte tlak vzduchu/objem	
	„Spínač chvostových čelustí nefunkčný.“	Vymeňte spínač	
	„Vzduch uniká do chvostových čelustí.“	Vymeňte tesniace krúžky na pieste 11	
	Vreteno porušené a nedosahuje chvostové čeluste.	Vymeňte vreteno	
	Porucha v pneumatickej riadiacej skrinke.	Kontaktujte personál spoločnosti Stanley Engineered Fastening	
Čeluste neuvoľnia vreteno	Špinavé chvostové čeluste alebo puzdro čelustí.	Vyčistite a namažte	
	Chybný spínač chvostovej čeluste.	Vymeňte tesniace krúžky	
	Signál zachyteného vzduchu	Skontrolujte pneumatické vedenia	
	Porucha v pneumatickej riadiacej skrinke	Kontaktujte personál spoločnosti Stanley Engineered Fastening	
Upínadlá nie sú zásobované cez čeluste ústia	Chvostové čeluste nie sú zapnuté.	Zapnite chvostové čeluste	
	Opotrebované chvostové čeluste.	Obnovte chvostové čeluste	
	Nesprávna orientácia kurzora.	Namontujte, zaistite správnu orientáciu	
	Nesprávny kurzor	Namontujte správny kurzor	
	Nesprávne čeluste ústia.	Nasadte správny mechanizmus ústia	
	Pružina upínadla vretena nesedí.	Namontujte pružinu upínadla vretena	
	Dĺžka upínadla vretena	Namontujte správne upínadlo vretena	
	Nesprávna medzera medzi hlavcou upínadla a čelustami ústia pri nabití.	Nastavte medzeru na 1,5 mm – 3 mm (1/16" – 1/8") Pozrite „Vkladanie nástroja“	171-172
	Kurzor uviazol.	Očistite a namažte kurzor	
	opotrebovaný vzduchový kurzor	Obnovte kurzor	
	Nesprávne namontovaná pružina upínadla vretena.	Namontujte pružinu upínadla vretena	
Opotrebovaná alebo zlomená vratná pružina hlavne	Vymeňte spätnú pružinu hlavne		
Nadmerné opotrebovanie chvostových čelustí	Vysoké zaťaženie preťahováka.	Skontrolujte veľkosť a hrúbku aplikačného otvoru a schopnosť uchytenia upevňovacieho prvku	
Napájanie viac ako jedným upínadlom naraz	Vreteno sa kľže.	Skontrolujte časť „Vreteno sa kľže“, úroveň 2	
	Nesprávna medzera medzi hlavcou upínadla a čelustami ústia pri nabití	Nastavte medzeru na 1,5 mm – 3 mm (1/16" – 1/8") Pozrite si časť „Vkladanie nástroja“ na strane	171-172

Ďalšie príznaky alebo poruchy by mali byť hlásené vášmu miestnemu autorizovanému distribútorovi alebo servisnému stredisku Stanley Engineered Fastening.

POZNÁMKY

9. ES VYHLÁSENIE O ZHODE

My, spoločnosť **Stanley Engineered Fastening, so sídlom na adrese Stanley House, Works Road, Letchworth Garden City, Hertfordshire, SG6 1JY SPOJENÉ KRÁĽOVSTVO**, vyhlasujeme výhradne na vlastnú zodpovednosť, že produkt:

Popis: **Hydropneumatické náradie na opakované rýchle umiestňovanie nitov**

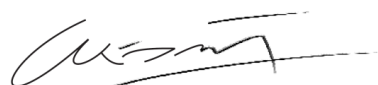
Model: **07536**

na ktorý sa vzťahuje toto vyhlásenie, dosahuje zhodu s nasledujúcimi harmonizovanými normami:

ISO 12100: 2010	EN ISO 3744: 2010
EN ISO 11202: 2010	EN ISO 11148-1: 2011
EN ISO 4413: 2010	BS EN 28662-1: 1993
EN ISO 4414: 2010	EN ISO 20643: 2008+A1: 2012
EN ISO 28927-5:2009+A1: 2015	ES100118-rev. 17: 2017

Technická dokumentácia je zostavená v súlade s Prílohou VII, a to v súlade s nasledujúcou normou: **2006/42/ES Smernica o strojových zariadeniach** (odvoláva sa na Štatutárne nástroje 2008 č. 1597 - (Bezpečnostné) nariadenia pri dodávke strojov).

Podpísaný uskutočňuje toto vyhlásenie v mene spoločnosti STANLEY Engineered Fastening



A. K. Seewraj

Director of Engineering, Spojené kráľovstvo

Avdel UK Limited, Stanley House, Works Road, Letchworth Garden City, Hertfordshire, SG6 1JY SPOJENÉ KRÁĽOVSTVO

Miesto vystavenia: **Letchworth Garden City, Spojené kráľovstvo**

Dátum vystavenia: **01-01-2021**

Podpísaný je zodpovedný za vytvorenie technického súboru pre produkty predávané v Európskej únii a vykonáva toto prehlásenie v mene spoločnosti Stanley Engineered Fastening.

Matthias Appel

Vedúci tímu pre technickú dokumentáciu

Stanley Engineered Fastening, Tucker GmbH, Max-Eyth-Str.1, 35394 Gießen, Nemecko



Toto strojové zariadenie je v súlade so Smernica o strojných zariadeniach 2006/42/ES

10. PREHLÁSENIE O ZHODE VO VB

My, spoločnosť **Stanley Engineered Fastening, so sídlom na adrese Stanley House, Works Road, Letchworth Garden City, Hertfordshire, SG6 1JY SPOJENÉ KRÁĽOVSTVO**, vyhlasujeme výhradne na vlastnú zodpovednosť, že produkt:

Popis: **Hydropneumatické náradie na opakované rýchle umiestňovanie nitov**


Model: **07536**

na ktorý sa vzťahuje toto vyhlásenie, dosahuje zhodu s nasledujúcimi určenými normami:

ISO 12100: 2010	EN ISO 3744: 2010
EN ISO 11202: 2010	EN ISO 11148-1: 2011
EN ISO 4413: 2010	BS EN 28662-1: 1993
EN ISO 4414: 2010	EN ISO 20643: 2008+A1: 2012
EN ISO 28927-5:2009+A1: 2015	ES100118-rev. 17: 2017

Technická dokumentácia sa zostavila v súlade s (bezpečnostnými) nariadeniami pri dodávke strojov 2008, S.I. 2008/1597 (v znení neskorších predpisov).

Podpísaný uskutočňuje toto vyhlásenie v mene spoločnosti STANLEY Engineered Fastening



A. K. Seewraj

Director of Engineering, Spojené kráľovstvo

Avdel UK Limited, Stanley House, Works Road, Letchworth Garden City, Hertfordshire,
SG6 1JY SPOJENÉ KRÁĽOVSTVO

Miesto vystavenia: **Letchworth Garden City, Spojené kráľovstvo**

Dátum vystavenia: **01-01-2021**



Toto strojové zariadenie je v súlade so
Predpisy o dodávkach strojových zariadení (bezpečnosť) z
roku 2008,
S.I. 2008/1597 (v znení neskorších predpisov)

11. CHRÁŇTE SVOJU INVESTÍCIU!

ZÁRUKA NA NÁRADIE NA SLEPÉ NITY Stanley® Engineered Fastening

Spoločnosť STANLEY® Engineered Fastening garantuje, že každé elektrické náradie bolo starostlivo vyrobené a pri bežnom používaní a údržbe nebude vykazovať materiálové ani výrobné nedostatky po dobu jedného (1) roka.

Táto záruka sa vzťahuje výlučne na prvého kupujúceho náradia pre pôvodné použitie.

Výluky:

Bežné opotrebenie.

Pravidelná údržba, oprava a náhradné diely vyvstávajúce z bežného opotrebenia sú vyňaté z krytia.

Hrubé a nenáležité používanie.

Poruchy alebo poškodenia vyvstávajúce z nenáležitej obsluhy, skladovania, nevhodného či hrubého používania, nehody alebo zanedbania (napr. fyzické poškodenia) sú vyňaté z krytia.

Neautorizovaný servis alebo modifikácia.

Nedostatky alebo škody vyvstávajúce zo servisu, testovania modifikácií, inštalácie, údržby, pozmeňovania alebo akejkoľvek modifikácie realizovanej kýmkoľvek iným ako zástupcom spoločnosti STANLEY® Engineered Fastening alebo jej autorizovaným servisným strediskom sú vyňaté z krytia.

Všetky ostatné záruky, či už výslovné alebo odvodené, vrátane záruky na predajnosť či vhodnosť na konkrétny účely sú týmto vylúčené.

V prípade, ak dôjde k poruche náradia a chcete si naň uplatniť záručné krytie, náradie okamžite vráťte do nášho továrenského autorizovaného servisného strediska vo vašom najbližšom okolí. Zoznam autorizovaných servisných stredísk spoločnosti STANLEY® Engineered Fastening v USA a Kanade žiadajte na bezplatnom telefónnom čísle (877)364 2781.

Mimo USA a Kanady navštívte našu webovú stránku **www.StanleyEngineeredFastening.com**, kde nájdete najbližšie zastupiteľstvo spoločnosti STANLEY Engineered Fastening.

Spoločnosť STANLEY Engineered Fastening následne bezplatne vymení akýkoľvek diel alebo diely, o ktorých sa zistí, že sú chybné vinou chybného materiálu alebo dielenského vyhotovenia a na vlastné náklady zabezpečí zaslanie náradia späť k vám. Toto predstavuje náš jediný záväzok, ktorý nám vyplýva z tejto záruky.

Spoločnosť STANLEY Engineered Fastening nebude za žiadnych okolností niesť zodpovednosť za akékoľvek dôsledkové či špeciálne škody vyvstávajúce zo zakúpenia či používania tohto náradia.

Zaregistrujte si svoje náradie na umiestňovanie slepých nitov on-line.

Ak si chcete zaregistrovať záruku online, navštívte nás na adrese <https://www.stanleyengineeredfastening.com/support/warranty-registration-form>

Ďakujeme, že ste si vybrali náradie značky Stanley Assembly Technologies od spoločnosti STANLEY® Engineered Fastening.

©2021 Stanley Black & Decker inc.
Vse pravice pridržane.

Brez predhodnega pisnega dovoljenja STANLEY Engineered Fastening, informacij, ki so navedene v tem gradivu, ni dovoljeno reproducirati niti jih javno objavljati na kakršni koli način in preko nobenih sredstev (elektronsko ali mehansko). Te informacije so osnovane na podatkih, znanih v trenutku predstavitve tega izdelka. STANLEY Engineered Fastening izvaja politiko nenehnih izboljšav izdelkov, zato so slednji lahko predmet sprememb. Informacije, ki so navedene, se nanašajo na izdelke, ki jih dobavlja STANLEY Engineered Fastening. Zato STANLEY Engineered Fastening ne more biti odgovorno za kakršno koli škodo, ki nastane zaradi odstopanj od prvotnih specifikacij izdelka.

Informacije so zbrane in zasnovane z največjo možno skrbnostjo. Vsekakor pa STANLEY Engineered Fastening ne sprejema nobene odgovornosti v zvezi z vsemi napakami v informacijah in tudi ne odgovarja za tovrstne posledice. STANLEY Engineered Fastening ne odgovarja za škodo, ki izhaja iz dejanj tretjih oseb. Delovna imena, trgovska imena, registrirane blagovne znamke itd., ki jih uporablja Stanley Engineered Fastening, ne bi smeli obravnavati kot prosto dostopne, vendar je treba, v skladu z zakonodajo s področja zaščite blagovnih znamk, slednje obravnavati z odgovornostjo.

1. VARNOSTNE DEFINICIJE	192
1.1 SPLOŠNA VARNOSTNA PRAVILA	192
1.2 NEVARNOST IZVRŽENIH DELCEV	192
1.3 NEVARNOSTI MED DELOVANJEM	193
1.4 NEVARNOSTI PRI PONAVLJAJOČIH SE GIBIH	193
1.5 NEVARNOSTI PRI UPORABI DODATNE OPREME	193
1.6 NEVARNOSTI NA DELOVNEM MESTU	193
1.7 NEVARNOSTI ZARADI HRUPA	193
1.8 NEVARNOSTI ZARADI TRESLJAJEV	194
1.9 DODATNA VARNOSTNA NAVODILA ZA PNEVMATSKA IN HIDRAVLIČNA ORODJA	194
2. SPECIFIKACIJE	195
2.1 SPECIFIKACIJA ZA ORODJE 07536	195
2.2 SPECIFIKACIJA ZA OJAČEVALNIK 07531	195
3. PREDVIDENA UPORABA	196
3.1 MERE ORODJA – MODEL 07536	196
4. ZAČETEK DELOVANJA	197
4.1 DOVOD ZRAKA	197
4.2 ZRAČNI DRSNIKI	198
4.3 POLNJENJE IN PONOVO POLNJENJE ORODJA	198
4.4 DELOVNI POSTOPEK	200
5. SERVISIRANJE ORODJA	201
5.1 KRMILNA NAPRAVA PNEVMATIKE	201
5.2 DNEVNO	201
5.3 TEDENSKO	201
5.4 VARNOSTNI PODATKI ZA LITIJEVO MAST MOLY EP 3753	201
5.5 SERVISNI KOMPLET	202
5.6 ORODJE ZA DRSNIK ZRAKA, SKLOP OJAČEVALNIKA IN KRMILNE NAPRAVE 07536-02100	203
6. VZDRŽEVANJE	204
6.1 DEMONTAŽA 07536-02200	204
6.2 SPLOŠNO SESTAVLJANJE ORODJA PODSTAVKA 07536-02200	206
6.3 SEZNAM SESTAVNIH DELOV ORODJA PODSTAVKA 07536-02200	207
6.4 NAVODILA ZA RAZSTAVLJANJE	208
6.5 VAROVANJE OKOLJA	209
6.6 OJAČEVALNIK 07531-02200	209
7. POLNJENJE	211
7.1 PODROBNOSTI O OLJU	211
7.2 VARNOSTNI PODATKI ZA OLJI OLJU HYPSPIN® VG 32 IN AWS 32	211
7.3 POSTOPEK POLNJENJA	211
8. DIAGNOSTICIRANJE NAPAK	212
9. IZJAVA ES O SKLADNOSTI	214
10. IZJAVA O SKLADNOSTI ZA ZDRUŽENO KRALJESTVO	215
11. ZAŠČITITE SVOJO NALOŽBO!	216



Ta priročnik za uporabo mora prebrati vsaka oseba, ki namešča ali uporablja orodje, pri čemer je obvezno upoštevati naslednje varnostne predpise.



Med uporabo orodja vedno nosite zaščito za oči, odporno proti udarcem. Stopnjo zahtevane zaščite je treba oceniti pred vsako uporabo.







Zaščito sluha uporabljajte v skladu z delodajalčevimi navodili in kot jo zahtevajo predpisi o zaščiti zdravja in varnosti na delovnem mestu.



Uporaba orodja lahko izpostavi upravljavčeve roke nevarnostim, vključno z drobljenjem, udarcem, rezom, odrgninam in vročini. Za zaščito rok nosite primerne rokavice.

1. VARNOSTNE DEFINICIJE

Definicije spodaj opisujejo stopnjo resnosti sleherne opozorilne besede. Preberite navodila in bodite pozorni na te simbole.

-  **NEVARNOST:** Prikazuje neposredno nevarno situacijo, ki bo povzročila smrt ali resno poškodbo, če je ne preprečite.
-  **OPOZORILO:** Prikazuje potencialno nevarno situacijo, ki lahko povzroči smrt ali hude telesne poškodbe, če je ne preprečite.
-  **PREVIDNOST:** Pomeni morebitno nevarno situacijo, ki bi lahko povzročila manjšo ali srednje hudo poškodbo, če je ne preprečite.
-  **POZOR:** Uporaba brez opozorilnega simbola prikazuje morebitno nevarno situacijo, ki lahko povzroči materialno škodo, če se ji ne izognete.

Nepravilna uporaba ali vzdrževanje tega izdelka lahko povzroči hude telesne poškodbe in materialno škodo. Pred uporabo opreme zato pazljivo preberite ter razumite vsa opozorila in navodila za uporabo. Zaradi zmanjševanja tveganja za požar, električni udar ali telesne poškodbe, je pri uporabi električnega orodja treba upoštevati osnovne varnostne ukrepe.

VSA OPOZORILA IN NAVODILA ZA UPORABO SHRANITE ZA KASNEJŠO UPORABO

1.1 SPLOŠNA VARNOSTNA PRAVILA

- Za več nevarnosti preberite in razumite varnostna navodila pred nameščanjem uporabo, popraviljem vzdrževanjem, menjavo opreme na orodju ali, ko delate v njegovi bližini. Napake lahko povzročijo hude telesne poškodbe.
- Orodje sme namestiti, nastavljati ali uporabljati le kvalificirani in usposobljeni upravljavec.
- NE uporabljajte ga izven predvidene oblike nameščanja slepih zakovic STANLEY Engineered Fastening.
- Uporabljajte le dele, vijake in opremo, ki jo priporoča proizvajalec.
- NE spreminjajte orodja. Spremembe lahko zmanjšajo učinkovitost varnostnih ukrepov in povečajo tveganje za upravljavca. Vsaka predelava orodja, ki jo izvede uporabnik je v celoti njegova odgovornost, hkrati pa tovrstno dejanje izniči vse veljavne garancije.
- Ne zavržite varnostnih navodil, dajte jih upravljavcu.
- Ne uporabljajte orodja, če je poškodovano.
- Pred uporabo orodja preverite nastavitvev, pritrditev ali prosto gibanje premikajočih se delov, njihovo brezhibnost in druge pogoje, ki lahko vodijo do nevarnosti pri delu. Poškodbe naj, pred nadaljnjo uporabo orodja, odpravi ustrezno usposobljeni strokovnjak. Pred zagonom orodja z njega odstranite vse ključne in pripomočke za nastavljanje.
- V rednih časovnih razmikih je treba pregledati orodje in zagotoviti, da so podatki o zmogljivosti in oznake, tega dela standarda ISO 11148, pravilno označene na orodju. Zaposleni/uporabniki morajo za nabavo nadomestnih označevalnih nalepk kontaktirati s proizvajalcem, če je treba.
- Poskrbite, da bo orodje vedno v varnem delovnem stanju, hkrati pa ga redno pregledujte glede morebitnih poškodb in delovanja. Orodje naj razstavlja le usposobljeno osebje. Orodja nikoli ne razstavljajte brez predhodne preučitve navodil za vzdrževanje.

1.2 NEVARNOST IZVRŽENIH DELCEV

- Pred vsakim vzdrževanjem, nastavljanjem, prilagajanjem, nameščanjem ali odstranjevanjem sklopa nosu oz. opreme odklopite orodje od zrak.
- Zavedajte se, da napake pri obdelovancu ali opremi, tudi samega vstavljenega orodja, lahko ustvarijo izstrelke z veliko hitrostjo.
- Med uporabo orodja vedno nosite zaščito za oči, odporno proti udarcem. Stopnjo zahtevane zaščite je treba oceniti pred vsako uporabo.
- Sočasno je treba oceniti tudi tveganje za druge.
- Zagotovite, da bo obdelovanec varno pritrjen.

- Preverite, ali je sredstvo za zaščito proti izstrelkom vijakov in/ali trnov nameščeno in deluje.
- Opozorite glede možnemu sunkovitemu izvrženju trnov iz sprednjega dela orodja.
- NE upravljajte orodja, ki je usmerjeno proti ljudem.

1.3 NEVARNOSTI MED DELOVANJEM

- Uporaba orodja lahko izpostavi upravljavčeve roke nevarnostim, vključno z drobljenjem, udarcem, rezom, odrgrinam in vročini. Za zaščito rok nosite primerne rokavice.
- Upravljavci in vzdrževalci morajo biti fizično zmožni, da obvladajo velikost, težo in moč orodja.
- Orodje držite pravilno, bodite pripravljene za odzive ob običajnih ali nenadnih gibih in na voljo morata biti obe roki.
- Ročaji orodja naj bodo vedno suhi, čisti in brez olja ter masti.
- Med upravljanjem orodja ohranajte ravnotežje telesa in stabilno stojo.
- Ob prekinitvi hidravlične oskrbe sprožite postopek zagon-in-ustavitev naprave.
- Uporabljajte le maziva, ki jih je priporočil proizvajalec.
- Izogibajte se stiku s hidravlično tekočino. Če slučajno pride do stika, prizadeti del temeljito izperite z vodo ter tako zmanjšajte nevarnost za draženje kože.
- Varnostni listi za vsa hidravlična olja in maziva so na voljo na zahtevo pri vašem dobavitelju orodij.
- Izognite se neprimernemu položaju telesa, ker je za te položaje zelo verjetno, da se takrat ne boste sposobni odzvati na običajno ali nepričakovano premikanje orodja.
- Če je orodje pritrjeno na napravo za vzmetenje zagotovite, da bo pritrdiv varna.
- Zavedajte se tveganjem drobljenja ali stiskanja, če nos opreme ni nameščen.
- NE uporabljajte orodja, ki ima odstranjeno ohišje nosu.
- Pred začetkom dela morate imeti roke na varni oddaljenosti od orodja.
- Med prenašanjem orodja nikoli ne držite prsta na sprožilnem stikalu, kajti slednjega bi lahko po nesreči aktivirali ter povzročili poškodbe.
- Orodja NIKOLI NE mečite, ali ga uporabljajte namesto kladiva.
- Pazite, da odpadni trni zakovic ne bodo povzročali nevarnosti.

1.4 NEVARNOSTI PRI PONAVLJAJOČIH SE GIBIH

- Ob uporabi orodja, bo upravljavec morda občutili neudobje v dlaneh, rokah, ramenih, vratu ali drugih delih telesa.
- Med uporabo orodja mora upravljavec zavzeti udobni položaj telesa in ohranjati stabilno stojo ter se izogibati nevarnim ali neuravnoveženim položajem telesa. Upravljavec mora spreminjati držo med dolgimi nalogami, to lahko pomaga, da se izogne neudobju in utrujenosti.
- Če upravljavec začuti znake, kot so trajno ali pojavljajoče se neudobje, bolečino, kljuvanje, zbadanje, odrevenelost, pekoči občutek ali okornost, potem teh znakov ne sme prezreti. Sporočiti jih mora delodajalcu in se posvetovati z zdravnikom.

1.5 NEVARNOSTI PRI UPORABI DODATNE OPREME

- Pred namestitvijo ali odstranjevanjem sklopa nosu oz. dodatne opreme odklopite orodje z dovoda zraka.
- Uporabljajte le velikosti in tipe opreme in potrošnega materiala, ki ju je priporočil proizvajalec orodja, ne uporabljajte drugih tipov ali velikosti opreme oz. potrošnega materiala.

1.6 NEVARNOSTI NA DELOVNEM MESTU

- Zdrsi, spotiki in padci so najpogostejši vzroki za poškodbe na delovnem mestu. Zavedajte se, da so spolzka tla posledica uporabe orodja in nevarnost spotika povzročajo cevi za zrak ali hidravlične cevi.
- Bodite pozorni v neznanem okolju. Tam obstajajo skrite nevarnosti, kot so električni ali drugi oskrbovalni kabli.
- Orodje ni namenjeno za uporabo v potencialno eksplozivnem ozračju in ni izolirano proti stiku z električnim tokom.
- Prepričajte se, da tam ni električnih kablov, plinskih cevi itd., ki lahko povzročijo nevarnost, če jih poškodujete med uporabo orodja.
- Bodite primerno oblečeni. Ne nosite ohlapnih oblačil ali nakita. Ohranajte lase, obleko in rokavice proč od premikajočih se delov opreme. Ohlapna oblačila, nakit ali dolgi lasje se lahko zapletejo v premikajoče se dele.
- Pazite, da odpadni trni zakovic ne bodo povzročali nevarnosti.

1.7 NEVARNOSTI ZARADI HRUPA

- Izpostavljenosti visoki ravni hrupa lahko povzroči trajno in nepopravljivo izgubo sluha in druge težave, kot so tinitus (zvonjenje, brnenje, žvižganje ali brenčanje v ušesih). Zato sta bistveni ocena tveganja in izvajanje ustreznega nadzora za ta tveganja.
- Ustrezni nadzori za zmanjšanje tveganja lahko vključujejo dejanja, kot so materiali za blaženje, ki preprečujejo "zvonjenje" obdelovanca.
- Zaščito sluha nosite v skladu z delodajalčevimi navodili in kot jo zahtevajo predpisi o zdravju in varnosti na delovnem mestu.
- Da bi preprečili nepotrebno povečanje ravni hrupa, delajte in vzdržujte stroj po priporočilih in teh navodilih.

1.8 NEVARNOSTI ZARADI TRESLJAJEV

- Izpostavljenost tresljam lahko povzroči poškodbe na dlaneh in rokah zaradi prekinitev živcev in oskrbe s krvjo.
- Ko delate na hladnem nosite topla delovna oblačila in poskrbite, da bodo dlani tople in suhe.
- Če začutite odrevenelost, zbadanje, bolečino ali postane koža na prstih in dlaneh bleda, prenehajte uporabljati orodje, povejte delodajalcu o teh pojavih in se posvetujte z zdravnikom.
- Kjer koli je mogoče, podprite težo orodja s stolom, napenjalnikom ali izravnalnikom treslajev, ker lahko tako lažje držite orodje, če je podprto.

1.9 DODATNA VARNOSTNA NAVODILA ZA PNEVMATSKA IN HIDRAVLIČNA ORODJA

- Tlak zraka v dovodu zraka ne sme presežati 7 barov (100 psi).
- Zrak, ki je pod tlakom, lahko povzroči hude poškodbe.
- Vklapljenega orodja nikoli ne pustite brez nadzora. Ko orodja ne uporabljate ali pred zamenjavo dodatne opreme ali popravili odklopite cev za dovod zraka z orodja.
- Nikoli NE obračajte orodja tako, da bo odprtina za odvod zraka na zbiralniku odpadnih trnov obrnjena proti vam ali komurkoli drugemu. Nikoli ne usmerite curka zraka nase ali na ljudi v okolici.
- Cevi, ki zaradi tlaka opletajo, lahko povzročijo hude telesne poškodbe. Vedno preverite, ali cevi in priključki niso poškodovani oz. zrahljani.
- Pred uporabo orodja preverite brezhibnost zračnih cevi ter drugih povezav. Ne mečite težkih predmetov na cevi. Močni udarec lahko povzroči notranje poškodbe in privede do prezgodnje odpovedi cevi.]
- Hladen zrak usmerite stran od rok.
- Kadar koli uporabljate univerzalne vrtljive sklopke (razcepne sklopke), morate namestiti zatiče za zapahnitev in uporabiti varovalni kabel za cevi, da bi zavarovali cev pred morebitnimi napakami prikljopa cevi na orodje ali cevi na cev.
- Orodja nikoli NE dvigujte tako, da ga držite za cev. Za dvigovanje vedno uporabite ročaj.
- Odprtine za prezračevanje morajo biti vedno pretočne.
- Pazite, da v hidravlični sistem ne bo zašla umazanija in drugi tujki, ki bi lahko povzročili okvare.
- Olje, ki je pod tlakom, lahko povzroči hude poškodbe.
- Pred uporabo preverite, ali hidravlične cevi niso poškodovane. Vsi hidravlični priključki morajo biti pred uporabo čisti, trdno priključeni in zategnjeni. Ne mečite težkih predmetov na cevi. Udarec cevi z ostrim predmetom lahko povzroči notranje poškodbe in privede do prezgodnje odpovedi cevi.
- NE vlecite ali premikajte ojačevalne enote tako, da uporabljate cevi. Vedno uporabljajte ročaj enote.
- Uporabljajte samo čisto olje in opremo za polnjenje.
- Uporabljajte samo priporočene hidravlične tekočine.
- Najvišja temperatura hidravlične tekočine na dotoku je 100 °C (212 °F).

▲ OPOZORILO: Med običajno in pravilno uporabo trnov pride do manjše obrabe in naravno se pokaže oznaka, zato je treba redno preverjati preveliko obrabo in oznake, še posebej pa biti pozoren na premer glave, območje prijema čeljusti nastavka stebela ali močno rjavenje stebela ter močen zvin trna. Trni, ki so se poškodovali med uporabo, so lahko s silo izvrženi iz orodja. Uporabnik je sam odgovoren za zamenjavo trnov, preden se ti premočno obrabijo in vedno pred največjim številom priporočenih namestitev. Obrnite se na predstavnika družbe STANLEY Engineered Fastening, ki vam bo sporočil vrednost tako, da z našim umerjenim orodjem za merjenje izmeril obremenitev posnemanja pri vašem načinu uporabe.

Pri STANLEY Engineered Fastening je politika nenehno razvijanje in izboljševanje orodij, zato si pridržujemo pravico do sprememb specifikacij kateregakoli izdelka, brez predhodnega obvestila.

2. SPECIFIKACIJE

2.1 SPECIFIKACIJA ZA ORODJE 07536

Zračni tlak	Najmanjši - največji	5–7 bara (70–100 lbf/in ²)
Prosta količina zraka: potrebna	Pri 5,1 barih/75 lbf/in ²	2,6 litra (0,09 ft ³)
Hod	Najmanj	25 mm (1 in)
Vlečna sila	Pri 5,5 barih/80 lbf/in ²	3,89 kN (875 lbf)
Čas ciklusa	Približno	1 sekunda
Teža	Pištola	1,2 kg (2,64 lb)

2.2 SPECIFIKACIJA ZA OJAČEVALNIK 07531

Zračni tlak	Najmanjši - največji	5–7 barov (70–100 lbf/in ²)
Stopnja ojačanja		32:1

Vrednost hrupa določena v skladu s testno kodo hrupa ISO 15744 in ISO 3744.		07536
Raven zvočne moči z oceno A dB(A), L_{WA}	Negotovost hrupa: $k_{WA} = 2,3$ dB(A)	79,5 dB(A)
Raven zvočnega tlaka z oceno A na delovni postaji dB(A), L_{pA}	Negotovost hrupa: $k_{pA} = 2,3$ dB(A)	68,5 dB(A)
Konica emisije zvočnega tlaka z oceno C dB(C), L_{pC} , konica	Negotovost hrupa: $k_{pC} = 2,5$ dB(C)	96,9 dB(C)
Vrednost tresljajev določena v skladu s testno kodo tresljajev ISO 20643 in ISO 5349.		07536
Raven emisij tresljajev, a_{hd} :	Negotovost tresljajev: $k = 0,25$ m/s ²	0,97 m/s ²
Zagotovljena vrednost emisije tresljajev v skladu z EN 12096		

3. PREDVIDENA UPORABA

Pnevmatsko orodje tipa 07536 namenjeno namestitvi hitrostnih kovc Avlug® 1/16", zato je idealno orodje za serijsko ali tekočo montažo pri najrazličnejših načinih uporabe v vseh industrijskih panogah.

Ročno orodje in ojačevalnik sta bila testirana kot ločena izdelka in skupaj. Uporabljati jih je treba samo skupaj in v nobene druge namene. Za podrobnosti o povezavi glejte »Začetek delovanja« na strani 197-200.

Prikazane so številke delov za naročilo celotnega orodja, vendar brez opreme za nos.

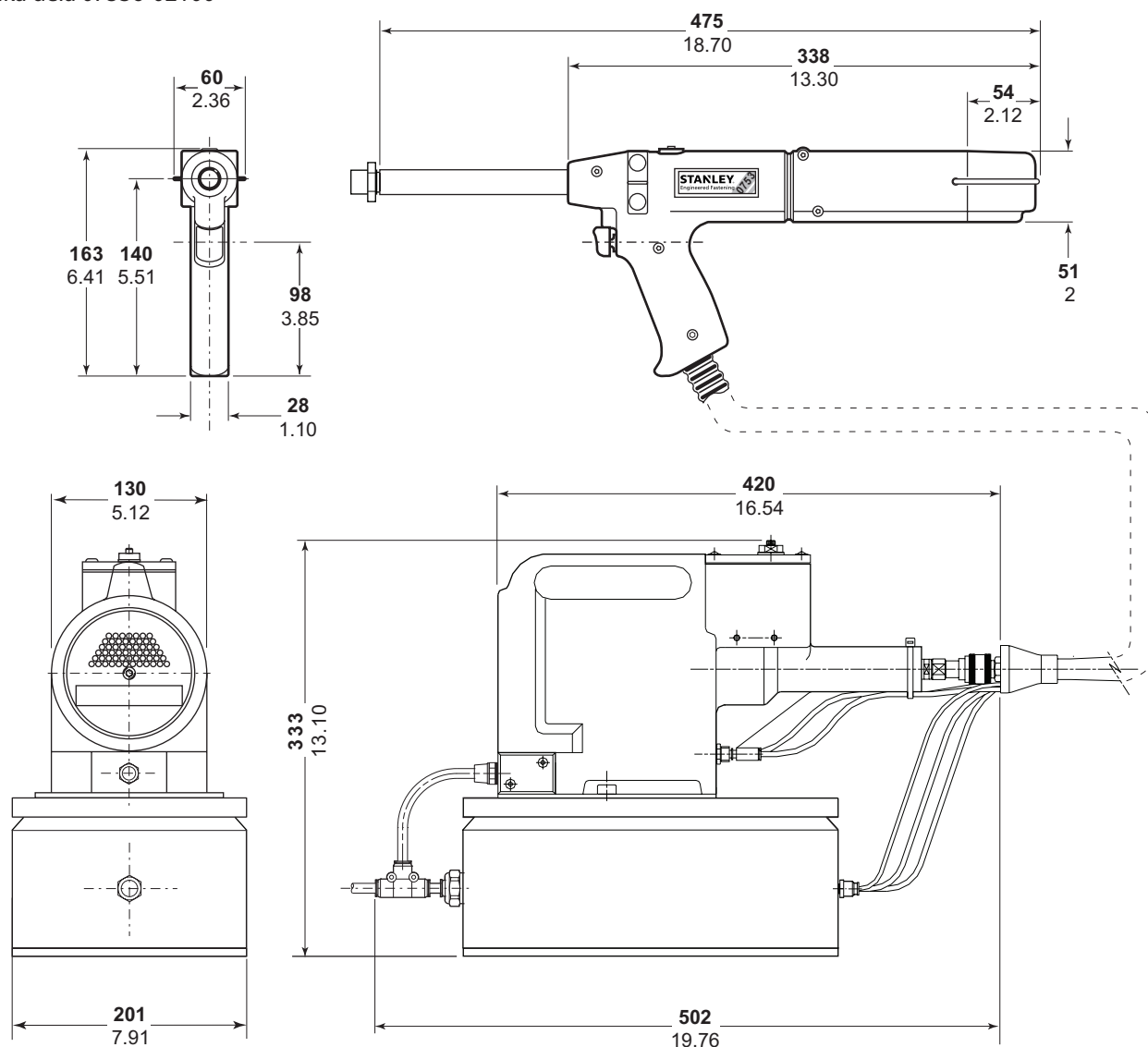
Številka orodja za model 07536 je 07536-02200.

Glejte splošne sklope na straneh 203–210.

NE uporabljajte naprave v vlažnih pogojih ali v prisotnosti vnetljivih tekočin in plinov.

3.1 MERE ORODJA – MODEL 07536

Številka dela 07536-02100



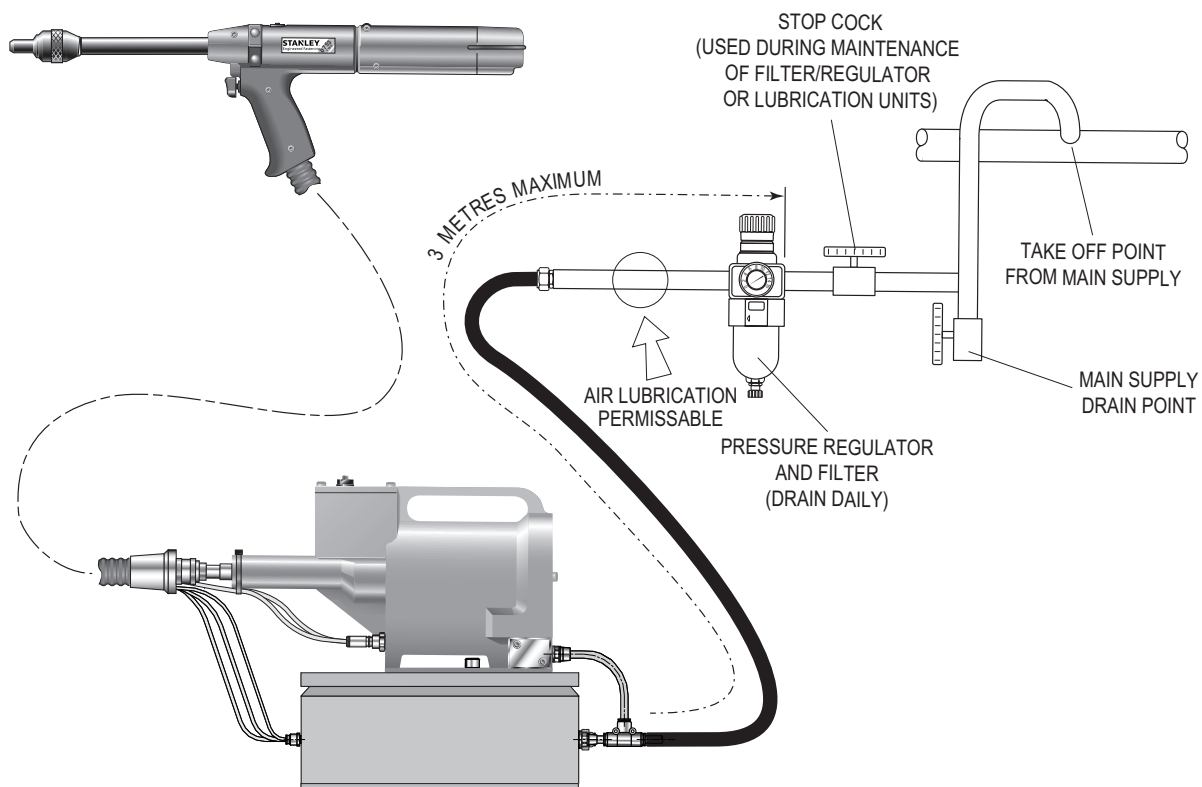
Dimenzije v mm.

4. ZAČETEK DELOVANJA

4.1 DOVOD ZRAKA

Vsa orodja delujejo na stisnjeni zrak pri optimalnem tlaku 5,5 barov. Priporočamo uporabo regulatorjev tlaka in sistemov za samodejno mazanje/filtriranje na glavnem dovodu zraka. Da bi zagotovili največjo življenjsko dobo orodja in minimalno vzdrževanje orodja, jih je treba namestiti na razdalji 3 metre od orodja (glejte spodnji diagram).

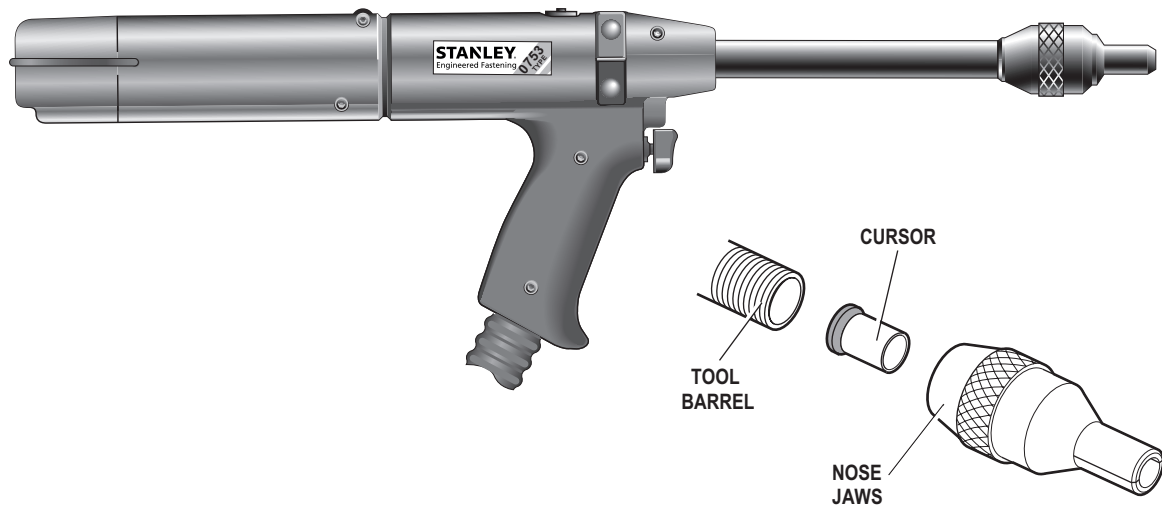
Cevi za dovod zraka morajo zagotavljati vsaj 150 % večjo zmogljivost tlaka od največjega tlaka, vzpostavljenega v sistemu, oziroma prenesti 10 barov, kar koli je višje. Cevi za zrak morajo biti odporne proti olju, zunanji del mora biti odporen na odrgnjenje in morajo biti ojačane, kjer lahko pogoji delovanja povzročijo poškodbe. Vse dovodne cevi za zrak morajo imeti najmanjši premer vsaj 6,4 mm ali 1/4 palca.



Pri priključitvi orodja na ojačevalnik in glavni dovod zraka sledite spodnjim korakom:

- Potisnite konec večje hidravlične cevi iz orodja v priključek za hitro sprostitev na koncu ojačevalnika.
- Na sprednji strani ojačevalnika (glejte stan 203):
 - Potisnite modri pnevmatski vod (4 mm OD) v nastavke reduktorja, ki se nahaja v levem pregradnem vijačnem priključku.
 - Črni pnevmatski vod (4 mm OD) potisnite v plastični obroček desnega pregradnega vijačnega priključka.
- Na sprednji strani krmilne naprave (glejte stan 203):
 - potisnite srebrni pnevmatski vod (3 mm OD) v reduktor z oznako "Cursor" na sprednji strani krmilne naprave - (leva) stran.
 - potisnite zeleni pnevmatski vod (4 mm OD) v reduktor z oznako "Repne čeljusti" na sprednji strani krmilne naprave - sredina.
 - potisnite beli pnevmatski vod (4 mm OD) v reduktor z oznako "Signal" na sprednji strani krmilne naprave - (desna) stran.
- Namestite pnevmatsko cev med moškim priključkom na zadnji strani ojačevalnika in glavnim dovodom zraka.

4.2 ZRAČNI DRSNIKI



Izbira zračnega drsnika

Glejte ločeni list s podatki 07900-00863 za sestavne dele sklopa nosu.

DRSNIK

POMEMBNO

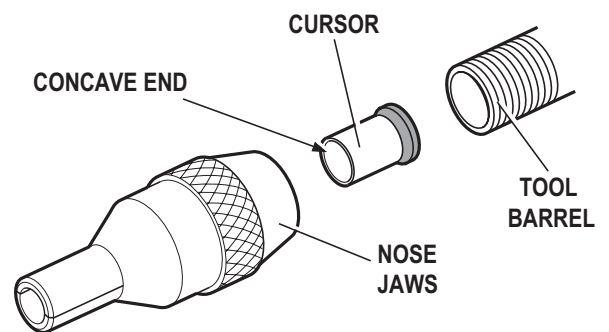
Če je nameščen napačno, bo drsnik preprečil polnjenje orodja in podajanje pritrdilnih elementov.

Čeprav je drsnik ob dobavi orodja nameščen pravilno, priporočamo, da pred namestitvijo opreme za nos preverite njegovo usmerjenost. Z napeto vzmetjo, rahlo izbočenim koncem mora drsnik kazati proti sprednjemu delu orodja, kot je prikazano na sliki.

Da bi obrnili usmeritev drsnika, postopajte po naslednjih korakih:

Pri naslednjem postopku je treba biti zelo previden. Paziti je treba, da se izognete valju in štrlečemu dročniku.

- Odstranite nosni sklop, če ga imate.
- V orodje vstavite do konca prazen dročnik.
- Zaprite repne čeljusti **32**, tako da vklopite stikalo repnih čeljusti (elementa **18** in **19**).
- Drsnik bo po kratkem času izskočil iz valja.
- Odprite repne čeljusti **32**, tako da izklopite stikalo repnih čeljusti (elementa **18** in **19**), to bo sprostilo dročnik.
- Odstranite drsnik z dročnika in ga vstavite v valj.



4.3 POLNJENJE IN PONOVO POLNJENJE ORODJA

POMEMBNO

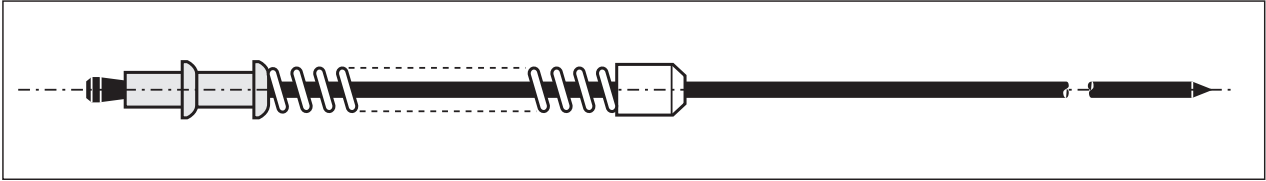
Sestavni del tega postopka sta nalaganje orodja in namestitev opreme za nos na orodje.

Ko naročite celotno orodje ali sistem, običajno prejmete vso opremo za nos, ki jo potrebujete za pritrdilni element za namestitev.

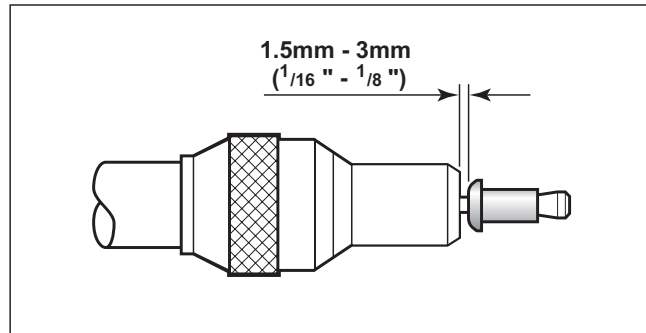
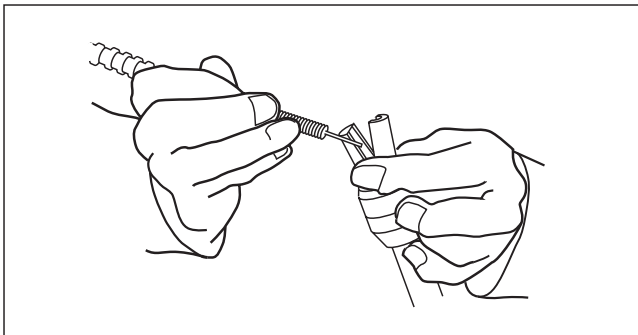
Če ste prejeli nosne čeljusti, dročnike in vzmeti sledilnika dročnika, nadaljujte s polnjenjem orodja in namestitvijo opreme za nos, kot je prikazano spodaj.

Polnjenje orodja

- Priključite dovod zraka na orodje.
- Odprite repne čeljusti **32**, ki držijo dročnik, tako da izklopite stikalo repne čeljusti (elementa **18** in **19**).
- Na valj orodja privijte izbrano nosno čeljust **44**.
- * V konec repa pritrdilnih elementov vstavite dročnik skozi papirno blazinico.
- Potisnite vzmet sledilnika dročnika na dročnik in se prepričajte, ali je usmerjen pravilno.



- Primite končni del trna in odstranite papirni ovoj okrog pritrdilnih elementov.
- Odprite čeljusti nosu z obračanjem zunanega obroča na grebenu delovnih čeljusti, ali s potiskanjem konca čeljusti navzven, kot je prikazano spodaj levo.
- Vstavite že sestavljeni trn, vzmet sledilnika trna in pritrdilne elemente v čeljusti nosu, dokler prvi pritrdilni element za namestitvev ne štrli iz čeljusti nosu.
- Zaprite čeljusti nosu in prilagodite nos tako, da prvi pritrdilni element štrli iz nosu za 1,5–3 mm ($1/16$ do $1/8$ palca), kot je prikazano na sliki spodaj desno.
- Zaprite repne čeljusti **32**, da zagotovite oprijem dročnika, tako da vklopite stikalo repne čeljusti (elementa **18** in **19**).



Ponovno polnjenje orodja

- Odprite repne čeljusti **32** orodja tako, da izklopite repne čeljusti (elementa **18** in **19**).
- Odprite čeljusti nosu ter izvlecite prazen trn in vzmet sledilnika trna iz orodja.
- Znova napolnite orodje tako, da upoštevate zgornja navodila in začnete pri koraku•*.

Nastavitev orodja - le nastavljiv sklop nosu

Vstavite predhodno sestavljen dročnik (glejte Polnjenje orodja -*) ali dročnik za enkratno uporabo proti omejevalniku v sestavu batov repnih čeljust **60**.

Medtem ko držite dročnik, zaprite repne čeljusti **32**, ki držijo dročnik, tako da vklopite stikalo repne čeljusti (**18** in **19**).

Na valj orodja privijte matico za zapahnitev **44**.

Obrnite sklop nosu na valj **44**.

Nastavite nosni sklop tako, da prvi pritrdilni element štrli za 1,5 mm - 3 mm ($1/16$ ''- $1/8$ ''), kot je prikazano na sliki na strani 199.

Zategnite varovalno matico proti sklopu nosu, da preprečite premikanje sklopa nosne čeljusti.

Ponovno polnjenje orodja

Odprite repne čeljusti orodja tako, da izklopite stikalo za zadnje čeljusti (**18-19**).

Odprite čeljusti in iz orodja izvlecite prazen dročnik in sledilno vzmet.

Vstavite nov dročnik ob omejevalnik znotraj orodja in zaprite repne čeljusti **32**, ki držijo dročnik, tako da vklopite stikalo repnih čeljusti (**18 in 19**).

Zaprite repne čeljusti **32**.

4.4 DELOVNI POSTOPEK**POMEMBNO**

Pred začetkom uporabe orodja morate poskrbeti za pravilno usmerjenost kazalčka in opreme za nos.

- Pritrdilni element, ki štrli iz čeljusti nosu, potisnite v celoti v odprtine za namestitev in pri tem poskrbite, da je orodje vedno kvadratno.
- Pritisnite sprožilo in ga ne izpustite – glava trna je povlečena skozi pritrdilni element in tako pritrdi pritrdilni element na mesto namestitve.
- Odstranite orodje.
- Spustite sprožilo. Naslednji pritrdilni element bo samodejno podan skozi čeljusti nosu in bo pripravljen za namestitev.

5. SERVISIRANJE ORODJA

Poleg rednega servisiranja morate izvesti tudi celovit pregled, in sicer vsako leto ali vsakih 500.000 ciklov, kar koli je prej.

POMEMBNO

Delodajalec je odgovoren, da zagotovi, da bodo navodila za vzdrževanje posredovana ustreznemu osebju. Upravljavec ne sme vzdrževati ali popravljati orodja, razen, če je bil ustrezno usposobljen.

5.1 KRMILNA NAPRAVA PNEVMATIKE

POMEMBNO

Pod nobenimi pogoji ni dovoljeno odpreti krmilne naprave. Naprava je zaprt element. Notranje nastavitve so prednastavljene in jih ni dovoljeno spreminjati ali posegati vanje. To krmilno napravo lahko razstavi samo pooblaščen osebje STANLEY Engineered Fastening.



PREVIDNOST: Nikoli za čiščenje nekovinskih delov orodja ne uporabljajte kemičnih sredstev ali drugih močnih kemikalij. Take kemikalije lahko oslabijo materiale, iz katerih so izdelani ti deli.

5.2 DNEVNO

- Vsak dan, pred uporabo ali ob prvi uporabi orodja. Če mazalka ni nameščena na dovodu zraka, v odprtino za dovod zraka ojačevalnika nalijte nekaj kapljic čistega mazalnega olja. Če orodje uporabljate neprekinjeno, morate vsaki dve do tri ure z njega odklopiti cevi za zrak in vanj kapniti nekaj kapljic olja.
- Preverite tesnjenje zraka in olja. Zamenjajte poškodovane cevi in spojke.
- Če filter ni nameščen na regulatorju tlaka, odzračite zračni vod, da iz njega odstranite nakopičeno umazanijo ali vodo, preden priklopite cev za zrak na ojačevalnik. Če filtre obstaja, izpraznite vodo iz njega.
- Preverite, ali imate pravilno opremo za nos.
- Redno pregledjte dročnike in se prepričajte, ali na njih niso opazni znaki obrabe ali poškodb, ob tem pa upoštevajte število namestitev (preberite varnostna navodila na strani 192-194).

5.3 TEDENSKO

- Izvedite vse zgoraj opisane postopke dnevnega servisiranja.
- Odstranite, pregledjte, očistite in namažite čeljusti nastavka (glejte »Cilinder čeljusti nastavka« v »Vzdrževanje« na strani 204).
- Preverite, ali je raven olja v ojačevalniku približno 12 mm (1/2 palca) pod prozorno ploščo pokrova.

5.4 VARNOSTNI PODATKI ZA LITJEVO MAST MOLY EP 3753

Mast lahko naročite posamezno, številka dela je navedena v Kompletu za servis na strani 202.

Prva pomoč

KOŽA:

ker je mast popolnoma odporna proti vodi je najbolje, da jo odstranite z odobrenim emulgirnim čistilom za kožo.

ZAUŽITJE:

Zagotovite da bo posameznik popil 30 ml magnezijevega mleka, najbolje v kozarca mleka.

OČI:

draži, a ni škodljivo. Izperite z vodo in poiščite medicinsko pomoč.

Požar

PLAMENIŠČE: Nad 220 °C.

Ni razvrščeno kot vnetljivo.

Primerna sredstva za gašenje: CO₂, halon ali curki vode, če sredstva uporabljajo izkušeni upravljavci.

Okolje

Zberite za sežig ali odstranjevanje med odpadke na odobrenem odlagališču.

Rokovanje

Uporabite zaščitno kremo ali rokavice, odporne proti olju.

Shranjevanje

Ne shranite v bližini vročine ali sredstev, ki povzročajo oksidacijo.

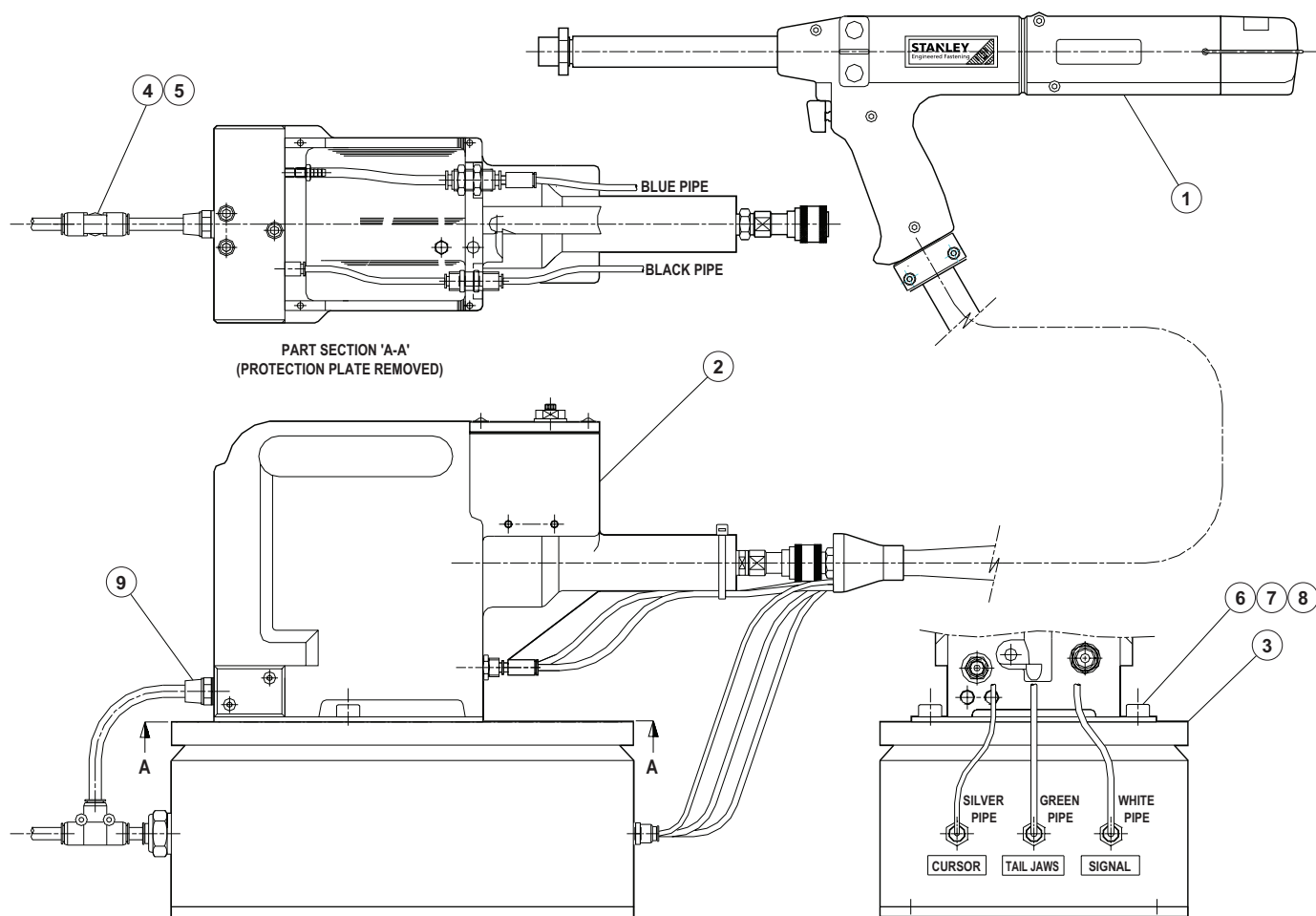
5.5 SERVISNI KOMPLET

Priporočamo, da za vse servise uporabite servisni komplet (številka dela 07900-05300).

SERVISNI KOMPLET					
ŠT. DELA	OPIS	KOLIČINA	ŠT. DELA	OPIS	KOLIČINA
07900-00157	KLEŠČE ZA VARNOSTNI OBROČ	1	07900-00352	KAVELJ ZA ODSTRANJEVANJE TESNILA	1
07900-00006	LOPATICA	1	07900-00710	KLJUČ ZA ODSTRANJEVANJE ČEPA VALJA	1
07900-00446	EKSTRAKTOR	1	07900-00725	KROGLA	1
07900-00603	ČELJUSTI PRIMEŽA SODA	1	07900-00243	IZVIJAČ	1
07900-00520	3/8" DROG	1	07900-00717	KLJUČ OJAČEVALNIKA	1
07900-00521	1/4" PALICA	1	07900-00013	1/8" KLJUČ IMBUS	1
07900-00602	KROGLA ZA MONTAŽO O-OBROČA	1	07900-00617	PAKET VEČNAMENSKIH TESNIL LOCTITE® 574 50 ml	1
07900-00595	KLJUČ 18 mm	1	07900-00469	IMBUS KLJUČ 2,5 mm	1
07900-00434	KLJUČ Z ZEVOM 32 mm	1	07900-00351	IMBUS KLJUČ 3 mm	1
07900-00237	3/8" × 5/16" B.S.W. KLJUČ	1	07900-00224	IMBUS KLJUČ 4 mm	1
07900-00012	9/16" × 5/8" KLJUČ	1	07900-00225	IMBUS KLJUČ 5 mm	1
07900-00008	7/16" × 1/2" KLJUČ	1	07992-00020	80g TIN MOLY LITIJEVA MAST EP 3753	1

Pomnite: Če ni drugače navedeno, so velikosti ključev izmerjene z zevom ključa.

5.6 ORODJE ZA DRSENIK ZRAKA, SKLOP OJAČEVALNIKA IN KRMILNE NAPRAVE 07536-02100



ELEMENT	ŠT. DELA	OPIS	KOLIČINA
1	07536-02200	ROČNO ORODJE ZA DRSENIK ZRAKA	1
2	07531-02200	ORODJE OJAČEVALNIKA	1
3	07007-02024	KRMILNA NAPRAVA DRSENIKA ZRAKA	1
4	07005-10071	T-PRIKLJUČEK	1
5	07005-10072	CEV 8 MM (2,50 m)	1
6	74405-12080	SPREMENJENI NUTSERT M8	8
7	07001-00469	VIJAK M8 × 15 POKROVA GLAVE	2
8	07002-00105	PODLOŽKA M8	4
9	07005-01573	MOŠKI PRIKLJUČEK CEVI 8 MM	1
10	07005-01977	MOŠKI/ŽENSKI REDUCIRNI ELEMENT 6 MM/4 MM	1

6. VZDRŽEVANJE

Vsakih 500.000 ciklov je treba orodje v celoti razstaviti in namesto obrabljenih, poškodovanih sestavnih delov, oz. po priporočilu, je treba vstaviti nove. Pred sestavljanjem je treba vsa O-tesnila in tesnila zamenjati ter namazati z litijevo mastjo Moly EP 3753.

POMEMBNO

Varnostna navodila so navedena na strani 4.

Delodajalec je odgovoren, da zagotovi, da bodo navodila za vzdrževanje posredovana ustreznemu osebju. Upravljavec ne sme vzdrževati ali popravljati orodja, razen, če je bil ustrezno usposobljen.

Zračni vod je treba pred kakršnim koli poskusom servisiranja ali razstavljanja odklopiti, razen če je izrecno navedeno drugače.

Priporočamo, da vsakršna razstavljanje izvajate v čistih pogojih.

Preden razstavite orodje, morate odstraniti opremo za nos.

Za popolno servisiranje orodja svetujemo, da nadaljujete z demontažo podsklopov v spodnjem vrstnem redu, potem ko ste odklopili hidravlično cev iz ojačevalne enote, zračne cevi z ojačevalne cevi in krmilno napravo, da bi ločili pištolo od ojačevalnika.

Pred vzdrževanjem je treba odstraniti morebitno nevarne snovi, ki bi se lahko nakopičile na stroju zaradi delovnih postopkov.

6.1 DEMONTAŽA 07536-02200

CILINDER REPNE ČELJUSTI

- Ročno obrnite pritrdilno sponko **53** navzgor in odstranite končni pokrov **59**.
- Z imbus ključem* odstranite en vijak pokrova glave **6**, s čimer zagotovite, da se ves zrak, ujet v cilindru repne čeljusti, izprazni. Odstranite drugi vijak s pokrovčkom **6**.
- Izvlecite zadnji čep **50**. **Pomnite:** Na zadnji strani vtiča je 5 mm navoj za lažje izvlečenje.
- Izvlecite sestavne dele zadnje čeljusti za zrak, ki jih sestavljajo sklop batov zadnje čeljusti **60**, omejevalnik **52**, okroglo tesnilo **12** in čeljusti **32**.
- Izvlecite preostale sestavne dele, ki jih sestavljata vzmet 36 in ohišje čeljusti **42**.
- Prosta dolžina vzmeti **36** mora biti 38,1 mm (1,5"). Po potrebi zamenjajte.
- Odstranite okroglo tesnilo sklopa bata **11**.
- Odklopite zračni drsnik cevi Concertina (zeleni) **49** s kolenastega priključka **22**.
- Odklopite zračni drsnik cevi Concertina (srebrni) **38** z zobčastega kolena **30**.
- Z imbus ključem* odstranite z ročaja orodja vseh pet pritrdilnih vijakov iz kotanje ročaja **3**, **4** in vse štiri matice **8**.
- Primite cev **44** v primežu z mehкими čeljustmi*, da se izognete poškodbam.
- Z nasadnim ključem* odvijte čep soda **46** in s ključem z odprtim koncem* preprečite obračanje soda **44**.
- Iz orodja izvlecite cilindar repne čeljusti **47**.
- Odstranite okroglo tesnilo **14**, torni trak **41** in povratno vzmet valja **37**.
- Pred sestavljanjem prevlecite sprednji del repne čeljusti **32**, kji je v stiku z ohišjem čeljusti **42**.
- Sestavite v obratnem vrstnem redu demontaže.

HIDRAVLIČNI BAT

- Odstranite cilindar repne čeljusti **47**, kot je opisano prej.
- Primite ogrodje **45** v primežu z mehкими čeljustmi, da se izognete poškodbam, popustite omejevalnik hoda **40**.
- Z imbus ključem*, odvijte vijak **5**, ki vpenja preklopni blok **54** na valj **44**.

* Nanaša se na elemente, vključene v servisni komplet 0753 Mkll. Za celoten seznam glejte stran 202.

Številke delov v **kreпки pisavi** se nanašajo na seznam splošnih sklopov in sestavnih delov na straneh 206–207.

- Trdo držite orodje in izvlecite valj **44** iz trupa **45** (morda bo majhna količina hidravličnega olja brizgnila iz notranjosti sklopa glave).
- Previdno odstranite bat **39**, da ne poškodujete izvrtine glave.
- Odstranite tesnilo **16**.
- Tesnilo **17** je težko odstraniti, ne da bi ga poškodovali, lahko pa ostane na mestu med čiščenjem (če nanj ne vpliva postopek čiščenja). Če pa je tesnilo **17** treba zamenjati, nadaljujte na naslednji način:
- Z lopatico* odstranite tesnilo **17** iz ogrodja **45**, pri tem pazite, da ne poškodujete votlin in izvrtin ogrodja. Odstranjeno tesnilo **17** JE TREBA zavreči.
- Če želite zamenjati tesnilo **17**, odvijajte sklop izpustnega čepa **43**, dokler notranja stran ni poravnana z notranjo izvrtino ogrodja **45**. To bo zagotovilo gladki prehod za vstavljanje novega tesnila **17** skozi zadnji del **45** ogrodja.
- Prepričajte se, ali je tesnilo **17** dobro namazano in pravilno obrnjeno, tako da je odprt konec tesnila obrnjen proti zadnjim repnim čeljustim.
- Sestavite v obratnem vrstnem redu demontaže.

SKLOP SPROŽILA

- Za demontažo/servis sklopa odstranite pokrove z orodja, kot je bilo opisano prej.
- Odklopite vse zračne cevi s sklopa in pazite, da ju ne poškodujete. Odstranite sklop.
- S ključem* odvijte zadrževalno napravo **34** in jo odstranite. Pazite, da ohranite vzmet **31**.
- Odščipnite okroglo tesnilo **10** in pazite, da ne poškodujete vretena 35 in zadrževalne naprave **34**.
- Očistite in ponovno sestavite z novim O-obročem **10**.
- Preverite dolžino vzmeti **31**, ki mora biti 12,7 mm (0,5") proste dolžine – po potrebi zamenjajte.
- Sestavite v obratnem vrstnem redu demontaže.

VENTIL ZA VKLOP/IZKLOP ČELJUSTI NASTAVKA

- Enota je zasnovana tako, da je med življenjsko dobo orodja potreben minimalni servis.
- Če je treba razstaviti ventil, ravnajte na naslednji način:
- Odstranite ohišje sprožila **56** kot je opisano v razdelku "Hidravlični bat".
- Z izvijačem* previdno odstranite kromirano podložko z zvezdastim zaklepanjem **18** z navitja čeljusti zračnega nastavka **55** in zavrzite podložko.
- Odstranite navitje čeljusti zračnega nastavka **55** iz stikalnega bloka **54**.
- Pazite, da ne poškodujete navitja čeljusti zračnega nastavka **55**, odstranite O-obročje **12**.
- Očistite navitje in znova namestite nove O-obročje **12** s pomočjo montažne krogel* in jih vstavite v stikalni blok **54**, pri čemer upoštevajte usmerjenost.
- Namestite novo kromirano podložko z zvezdastim zapahom **18** v primež z mehko čeljustjo, da preprečite poškodbe. NE UPORABLJAJTE S SILO.
- Sestavite v obratnem vrstnem redu demontaže.

ROČAJ IN KONČNA KAPICA

- Očistite in pregledajte ali vdolbine niso razpokane oz. kako drugače poškodovane.

DRSNIK

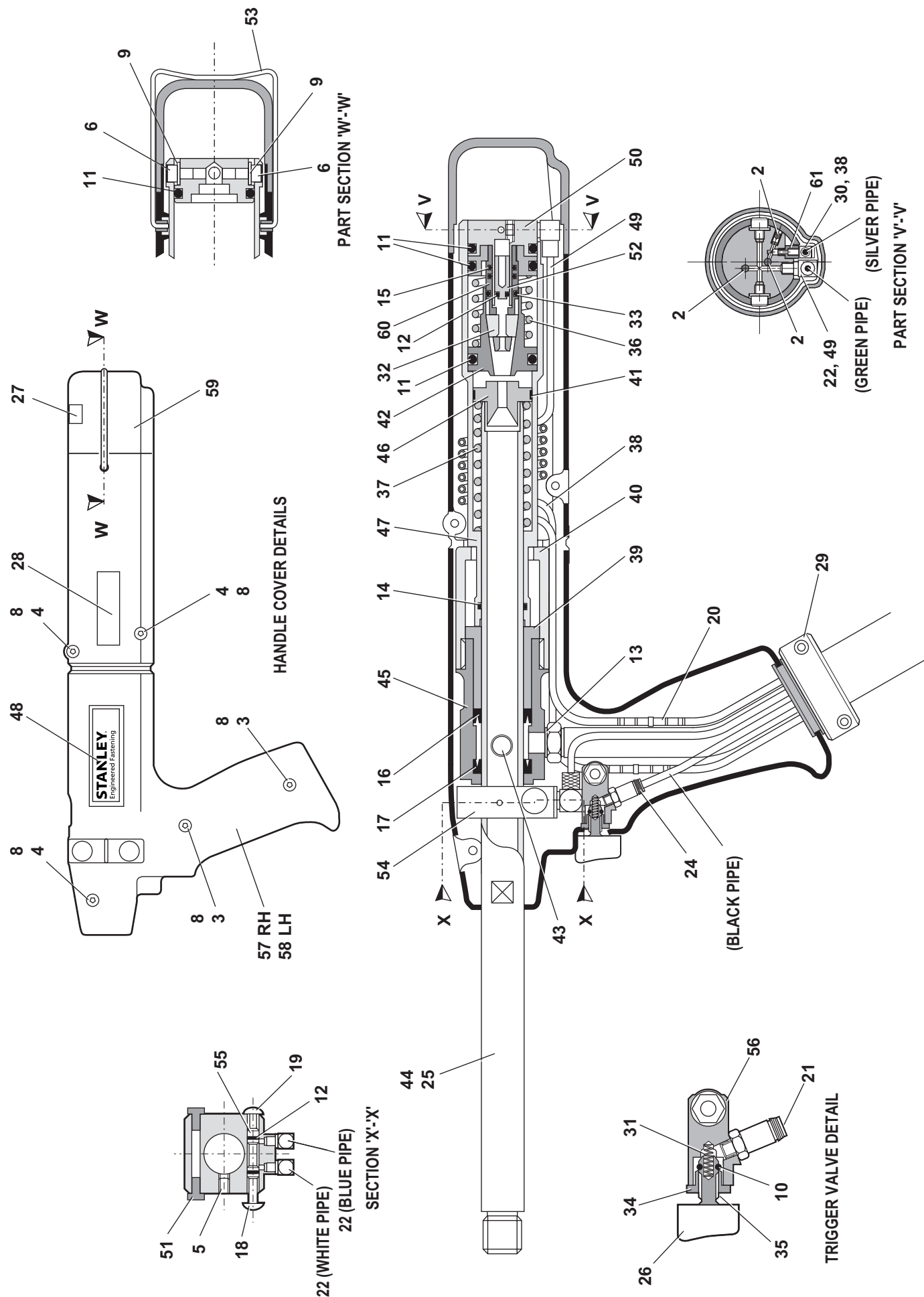
- Mehanski sklop drsnika očistite in občasno nanesite nekoliko olja.

POMEMBNO

**Preverite orodje v skladu z dnevnim in tedenskim servisiranjem.
Polnjenje je treba VEDNO izvesti po razstavljanju in pred začetkom uporabe orodja.**

* Nanaša se na elemente, vključene v servisni komplet 0753 Mkl. Za celoten seznam glejte stran 202.
Številke delov v **krepki pisavi** se nanašajo na seznam splošnih sklopov in sestavnih delov na straneh 206–207.

6.2 SPLOŠNO SESTAVLJANJE ORODJA PODSTAVKA 07536-02200



6.3 SEZNAM SESTAVNIH DELOV ORODJA PODSTAVKA 07536-02200

SEZNAM DELOV ZA 07536-02200										
ELEMENT	ŠT. DELA	OPIS	KOLIČINA	REZERVNI DELI	ELEMENT	ŠT. DELA	OPIS	KOLIČINA	REZERVNI DELI	
1	07007-00392	KABELSKA VEZICA (NI PRIKAZANA)	1	-	34	07220-00803	ZADRŽEVALNA NAPRAVA	1	-	
2	07001-00499	DOLGI VIJAK ZA NASTAVITEV PODNOŽJA M3x5	3	-	35	07241-00208	VRETENO	1	-	
3	07001-00262	DOLGI VIJAK POKROVA GLAVE PODNOŽJA M4x22	1	-	36	07154-00404	VZMET	1	-	
4	07001-00401	DOLGI VIJAK POKROVA GLAVE PODNOŽJA m4x10	4	-	37	07490-03002	POVRATNA VZMET SODA	1	-	
5	07001-00404	DOLGI VIJAK POKROVA GLAVE PODNOŽJA M5 x 6	1	-	38	07536-02211	CEV DRSNIKA ZA ZRAK CONCERTINA 3 MM - SREBRNA	1	-	
6	07001-00504	DOLGI VIJAK POKROVA GLAVE PODNOŽJA m4x6	2	2	39	07536-00203	BAT	1	-	
7					40	07530-00204	OMEJEVALNIK HODA	1	-	
8	07002-00134	M4 IMBUS MATICA	4	-	41	07530-00206	TORNI TRAK	1	1	
9	07002-00153	PODLOŽKA M4 [PLASTIČNA]	2	-	42	07536-00208	OHIŠJE ČELJUSTI	1	-	
10	07003-00022	OKROGLO TESNILO	1	-	43	07530-00500	SKLOP IZPUSTNEGA ČEPA [ELEMENTI 62 DO 65] ●	1	-	
11	07003-00113	OKROGLO TESNILO	3	3	44	07536-02201	SOD	1	-	
12	07003-00121	OKROGLO TESNILO	3	3	45	07530-02202	OGRODJE	1	-	
13	07003-00142	VEZNO TESNILO BSP 1/8"	1	1	46	07530-02205	ČEP VALJA	1	-	
14	07003-00167	OKROGLO TESNILO	1	1	47	07536-02207	CILINDER REPNE ČELJUSTI	1	-	
15	07003-00386	OKROGLO TESNILO	2	-	48	07530-02210	NALEPKA	2	-	
16	07003-00236	TESNILO [DINAMIČNO]	1	1	49	07536-02212	CEV DRSNIKA ZA ZRAK CONCERTINA 3 MM - ZELENA	1	-	
17	07003-00237	TESNILO [STATIČNO]	1	-	50	07536-02213	ZADNJI ČEP	1	-	
18	07004-00058	1/8-PALČNA KROMIRANA PODLOŽKA Z ZVEZDASTIM ZAKLEPANJEM	1	-	51	07530-00310	SLEPI ČEP	2	-	
19	07004-00059	ČRNA PODLOŽKA Z ZVEZDASTIM ZAKLEPANJEM 1/8"	1	-	52	07536-02214	OMEJEVALNIK	1	-	
20	07005-10073	PRIKLJUČEK 3 MM	1	-	53	07530-02220	SPONKA	1	-	
21	07005-01357	PRIKLJUČEK VRSTE OBROČKA	1	-	54	07530-02301	PREKLOPNI BLOK	1	-	
22	07005-01571	KOLENČNI PRIKLJUČEK	3	-	55	07530-02302	NAVITJE ČELJUSTI ZRAČNEGA PRIKLJUČKA	1	-	
23	07536-02216	VAROVALNA MATICA	1	-	56	07530-02311	OHIŠJE SPROŽILCA	1	-	
24	07005-10074	PRIKLJUČEK 2 MM	1	-	57	07536-02601	SKLOP VDOLBINE ROČAJA ZA DESNO ROKO	1	-	
25	07007-00017	PROTIPRAŠNA KAPICA	1	-	58	07536-02602	SKLOP VDOLBINE ROČAJA ZA LEVOI ROKO	1	-	
26	07007-00300	GUMB SPROŽILCA	1	-	59	07530-02603	KONČNA KAPICA	1	-	
27	73200-02022	VARNOSTNA NALEPKA	1	-	60	07536-02800	SKLOP BATA REPNE ČELJUSTI	1	-	
28	07007-01504	NALEPKA CE	1	-	61	07536-02215	ADAPTER ZA NAMEŠČANJE	1	-	
29	07008-00438	SKLOP GIBKE CEVI	1	-	62	07003-00142	● VEZNO TESNILO (NI PRIKAZANO)	1	1	
30	07005-01323	ZOBČASTO KOLENO M3	1	-	63	07003-00194	● VEZNO TESNILO (NI PRIKAZANO)	1	1	
31	07125-00215	VZMET	1	-	64	07001-00442	● VIJAK (NI PRIKAZAN)	1	1	
32	07151-00403	ČELJUSTI NASTAVKA	1	2	65	07530-00501	● VTIČ (NI PRIKAZAN)	1	-	
33	07003-00016	OKROGLO TESNILO	1							

6.4 NAVODILA ZA RAZSTAVLJANJE

- Pri razstavljanju sklopa ojačevalnika najprej odklopite cev za dovod zraka z vhodnega priključka ojačevalnika **22**.
- Z imbus ključem* popustite štiri vijake **27** in odstranite varovalno ploščo **24**.
- Odklopite sprožilno cev **47** iz ojačevalnega ventila **43** ali **48** tako, da pritisnete zunanji obroček in izvlečete cev.
- Odstranite prekrivno ploščo **4** in tesnilo **35** tako, da z imbus ključem odstranite vijake **37** in podložke **36**.
- Prepričajte se, da tesnilo ni poškodovano, saj lahko le nepoškodovano zagotavlja ustrezno tesnjenje, ko ga znova namestite.
- Preobrnite sestavo ojačevalnika in olje iz rezervoarja izpustite v primerno posodo.
- S primernim ključem* odstranite priključek za hitro sprostitvev **32** ter priključek **31** in tesnila **33**.
- Odstranite ventil ojačevalnika **43** ali **48** tako, da s primernim ključem* odstranite pritrdilne vijake, pri tem pa pazite na OKROGLO TESNILO **21** na odlitku ohišja ojačevalnika.
- S primernim imbus ključem* odstranite vijak **19** ter pokrov dušilca **16**, penasti dušilec **15**, distančnik **18** in oporno ploščo **20**.
- Snemite 6-milimetrsko plastično cev **41** z vakuumskih priključkov **42**.
- Izpod podnožja vložka ojačevalnika vstavite 3-milimetrski ključ imbus* skozi dve odprtini in odvijte vakuumske priključke **42**. Pomnite:
 - Pazite, saj so vakuumski priključki pritrjeni in zatesnjeni s sredstvom Loctite® 574.
 - Če imate težave pri odstranjevanju vakuumskih priključkov, jih lahko prevrtate s svedrom premera $\frac{3}{16}$ palca ali 4,7 mm.
- Za sestavljanje vakuumskih priključkov **42** upoštevajte spodnja navodila: -
 - Vakuumske priključke namočite v ustrezen temeljni premaz, npr. Perma Bond A905
 - V navojno odprtino ojačevalnika kapnite kapljico sredstva Loctite® 574.
 - S podnožja vložka ojačevalnika vstavite ključ imbus* skozi izvrtino. Preden vstavite ključ imbus* v vakuumski priključek, se prepričajte, da na njem ni sredstva Loctite 574.
 - Zavrtite ključ imbus in hkrati nanesite sredstvo Loctite 574 na podnožje vakuumskega priključka.
 - Privijte vakuumski priključek na ojačevalnik in se prepričajte, ali je na podnožju pritrdilnega elementa dovolj sredstva Loctite 574, tako da navoj ni viden.
- Z izvijačem previdno odstranite notranji pritrdilni obroč **14**. Očistite in pregledajte utor ter se prepričajte, da na njem ni opaznih znakov poškodb.
- Z ekstraktorjem* vstavite moški navojni del v končni pokrov **12** in ga umaknite vzdolž objemke ojačevalnika **28** ter O-tesnil **10** in **13**.
- Vstavite drog* skozi odprtino priključka na sprednjem delu ohišja ojačevalnika ter izbijte batnico **9** in sklop bata.
- S primernim ključem imbus* odvijte vijaka **25** in odstranite končni pokrov **12** iz objemke ojačevalnika **28**.
- Odstranite tesnilni čep **7** s ključem*.
- Vstavite drog* skozi odprtino priključka na sprednjem delu ohišja ojačevalnika ter potisnite tesnilo ohišja **5** ter z njimi povezana okrogla tesnila in ustnična tesnila.
- S primernim ključem* odstranite sklop ohišja ventila **34** z glavnega ohišja. Očistite ga s pihanjem nizkotlačnega zračnega curka.
- Odstranite batnico **9** iz pnevmatskega bata ojačevalnika **11** tako, da primete prvih 20 mm (3/4") droga s primežem z mehкими čeljustmi, pri tem pa pazite, da ne poškodujete ali označite delovne površine.
- S primernim ključem* odvijte varovalno matico **17**.
- Sestavite v obratnem vrtnem redu razstavljanja, pri tem pa upoštevajte naslednje:
 - Očistite vse dele in zamenjajte vsa O-tesnila.
 - Vsa tesnila namažite z litijevo mastjo Moly.

* Nanaša se na izdelke, vključene v servisni komplet 0753 Mkll. Za celoten seznam glejte stran 202.
Številke delov v **krepki pisavi** se nanašajo na sliko in seznam delov.

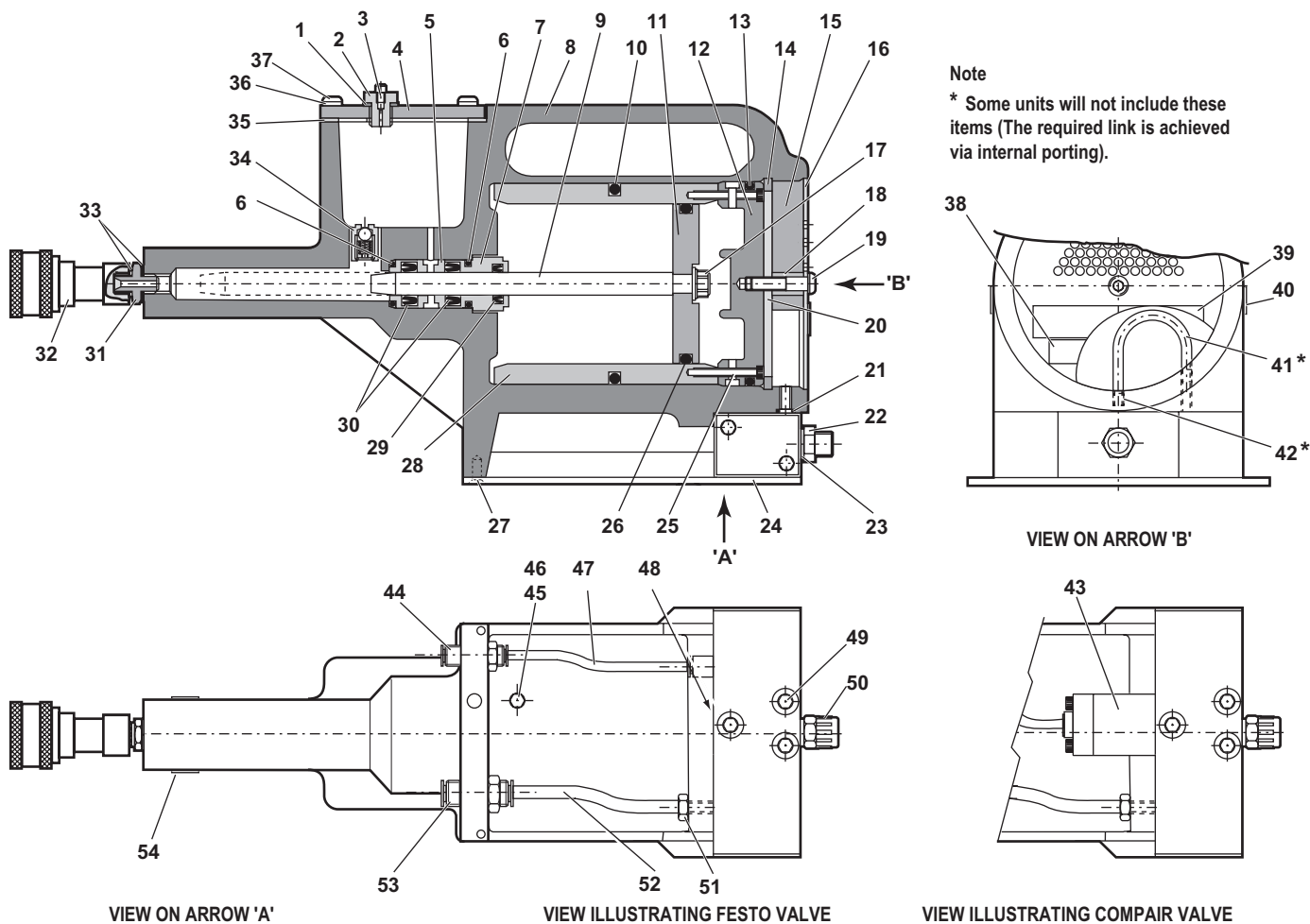
- Sklop ohišja ventila **34** morate znova namestiti s tesnilnim lepilom za navoje.
- Sklop bata sestavite z novo matico **17**.
- Končni pokrov **12** morate namestiti pravilno v pritrdilni obroč **14**. Orodja ne smete uporabljati, če končni pokrov ni nameščen.

POMEMBNO

Polnjenje je treba VEDNO izvesti po razstavljanju in pred začetkom uporabe orodja.

6,5 VAROVANJE OKOLJA

Zagotovite skladnost s predpisi, ki se uporabljajo za odstranjevanje med odpadke. Vse odpadne izdelke odstranite na zbirno mesto ali obrat, ki ima certifikat, da ne bi izpostavili nevarnosti osebja in okolja.

6.6 OJAČEVALNIK 07531-02200

* Nanaša se na izdelke, vključene v servisni komplet 0753 Mkll. Za celoten seznam glejte stran 202.
Številke delov v **krepki pisavi** se nanašajo na sliko in seznam delov.

SEZNAM DELOV ZA 07531-02200											
ELEMENT	ŠT. DELA	OPIS	KOLIČINA	REZERVNI DELI	ELEMENT	ŠT. DELA	OPIS	KOLIČINA	REZERVNI DELI	KOLIČINA	REZERVNI DELI
1	07003-00037	TESNILO	1	1	28	07531-00201	OBJEMKA	1	-	1	-
2	07240-00211	ČEP POLNILNE ODPRTINE	1	-	29	07003-00337	TESNILO NA USTJU	1	1	1	1
3	07001-00418	IZPUSTNI VIJAK	1	1	30	07003-00336	TESNILO NA USTJU	2	2	2	2
4	07240-00210	PREKRIVNA PLOŠČA	1	-	31	07005-00406	PRIKLJUČEK	1	1	1	-
5	71420-02006	TESNILO OHIŠJA	1	-	32	07005-00759	PRIKLJUČEK, KI SE SPROSTI HITRO	1	1	1	-
6	07003-00153	OKROGLO TESNILO	2	-	33	07003-00142	TESNILO	2	2	1	1
7	71420-02007	TESNILNI ČEP	1	-	34	07240-00400	SKLOP OHIŠJA VENTILA	1	1	1	-
8	71420-02300	SKLOP OHIŠJA	1	-	35	07240-00209	TESNILO	1	1	1	1
9	71420-02008	BATNICA	1	-	36	07002-00073	PODLOŽKA	4	4	1	1
10	07003-00182	OKROGLO TESNILO	1	1	37	07001-00554	VIJAK	4	4	1	1
11	07531-00202	PNEVMATSKI BAT	1	-	38	07007-01504	NALEPKA	1	1	-	-
12	07531-00204	KONČNI POKROV	1	-	39	07240-00217	NALEPKA	1	1	-	-
13	07003-00183	OKROGLO TESNILO	1	1	40	07531-00205	NALEPKA	2	2	-	-
14	07004-00069	PRIKIDILNI OBROČ	1	1	41	07005-00596	* PLASTIČNA CEV 6 mm	-	-	-	-
15	07240-00213	PENASTI DUŠILEC	1	1	42	07245-00103	* VAKUUMSKI PRIKLJUČEK	2	2	-	-
16	07240-00214	POKROV DUŠILCA	1	-	43	07005-00590	COMPAIR VENTIL	1	1	1	1
17	07002-00017	MATICA	1	1	44	07005-01431	PREGRADNI VIJAČNI PRIKLJUČEK	1	1	1	1
18	07240-00215	DISTANČNIK	1	-	45	07005-00668	ČEP M5	1	1	-	-
19	07001-00417	VIJAK	1	1	46	07005-00670	TESNILNI OBROČ M5	1	1	-	-
20	07240-00216	OPORNA PLOŠČA	1	-	47	07005-01084	PLASTIČNA CEV 4 mm (150 mm)	-	-	-	-
21	*07003-00042	OKROGLO TESNILO	1	1	48	07005-01524	FESTO VENTIL	1	1	1	-
22	07005-00041	PRIKLJUČEK	1	-	49	07001-00176	VIJAK	3	3	-	-
23	07003-00065	PODLOŽKA	1	-	50	07007-00292	RDEČA KAPICA BSP 1/4"	1	1	-	-
24	07240-00220	VAROVALNA PLOŠČA	1	-	51	07005-00647	PRIKLJUČEK	1	1	-	-
25	07001-00375	VIJAK	2	-	52	07005-01085	PLASTIČNA CEV 6 mm (150 mm)	-	-	-	-
26	07003-00238	OKROGLO TESNILO	1	1	53	07005-00855	VIJAČNA TESNILKA	1	1	-	-
27	07001-00396	VIJAK	4	-	54	73200-02022	VARNOSTNA NALEPKA	1	1	-	-

7. POLNJENJE

Polnjenje je treba VEDNO izvesti po razstavljanju in pred začetkom uporabe orodja. Po pogosti uporabi bo morda treba obnoviti tudi polni hod, če se je hod skrajšal in pritrilni elementi niso popolnoma nameščeni z enim pritiskom sprožilca.

7.1 PODROBNOSTI O OLJU

Priporočeno olje za polnjenje je Hyspin® VG32 in AWS 32, ki je na voljo v 0,5 litra (številka dela 07992-00002) ali v posodi 1 galon (številka dela 07992-00006). Oglejte si spodnje varnostne podatke.

7.2 VARNOSTNI PODATKI ZA OLJI OLJU HYSPIN® VG 32 IN AWS 32

Prva pomoč

KOŽA:

Čim prej temeljito umijte z milom in vodo. V primeru nenamerne stika takojšnje ukrepanje ni potrebno. V primeru kratkega stika takojšnje ukrepanje ni potrebno.

ZAUŽITJE:

Takoj poiščite zdravniško pomoč. NE spodbujajte bruhanja.

OČI:

Takoj in več minut spirajte z vodo. Čeprav NI primarno dražilo, lahko po stiku pride do manjšega draženja.

Požar

Primerna sredstva za gašenje: CO₂, suh prah, pena in vodna meglica. NE uporabljajte vodnih curkov.

Okolje

ODLAGANJE ODPADNIH SNOVI: Prek pooblaščenega pogodbenika na odobreno odlagališče. Primerno za sežiganje. Rabljen izdelek je mogoče vrniti za reklamacijo.

RAZLITJE: Preprečite razlitje v odtoke, kanalizacijo in vodotoke. Absorbirajte s absorpcijskim materialom.

Rokovanje

Uporabljajte zaščito za oči, neprepustne rokavice (npr. iz PVC-ja) in plastični predpasnik. Uporabljajte v dobro prezračenem prostoru.

Shranjevanje

Ni posebnih previdnostnih ukrepov.

7.3 POSTOPEK POLNJENJA

POMEMBNO

NE UPORABLJAJTE SPROŽILNIKA, KO JE IZPUSTNI VIJAK ODSTRANJEN

Vse postopke morate izvesti na čisti delovni mizi, s čistimi rokami in v čistem prostoru.

Prepričajte se, da je novo olje popolnoma čisto in ne vsebuje zračnih mehurčkov.

VEDNO pazite, da v orodje ne vstopijo nobeni tujki, saj lahko v nasprotnem primeru pride do resnih poškodb.

- Odstranite vijak **2** in tesnilo **1** s plastične prekrivne plošče **4** na rezervoarju ojačevalnika.
- Nalijte olje v rezervoar, dokler ni približno 1/2-palca (12 mm) od vrha.
- Zamenjajte vijak **2** in tesnilo **1**.
- Na dovod zraka namestite enoto ojačevalnika. Odstranite vijak iz rezervoarja.
- Ko je 07536 pištola nameščena na ojačevalno enoto in jo držite pod nivojem ojačevalne enote, odvijte izpustni vijak **64** s sklopa izpustnega čepa **43** na orodju 07536 pustite, da olje izteče iz orodja.
- Ko olje prosto teče in brez zračnih mehurčkov, privijte izpustni vijak.
- Rezervoar na ojačevalniku napolnite z oljem za mazanje.
- Zaganjajte orodje, dokler zračni mehurčki, prisotni v olju, ne odtečejo v rezervoar za olje.

8. DIAGNOSTICIRANJE NAPAK

SIMPTOM	MOŽNI VZROK	POPRAVILO	REF. STRAN
Orodje ne bo namestilo prijema	Nizek zračni tlak.	Povečajte zračni tlak	
	Pomanjkanje mazanja.	Orodje namažite na mestu dovoda zraka	
	Velika obremenitev zaradi obrabe.	Preverite prijem žebnja in velikost luknje aplikacije	
	Preverite pravilno velikost trna.		
	Izklopljene čeljusti nastavka.	Vklopite čeljusti repa	
	Zrak v hidravličnem sistemu.	Glejte »Postopek mazanja«	211
»Zdrs trna« – čeljusti ne primejo trna	Obrabljene ali umazane čeljusti nastavka.	Očistite ali zamenjajte kot je treba	
	'Nezadosten zračni tlak/prostornina.	Povečajte zračni tlak/prostornino	
	'Stikalo čeljusti nastavka ne deluje.	Zamenjajte stikalo	
	'Zrak uhaja v čeljust nastavka.	Zamenjajte O-obročje na batu 11	
	Trn je zlomljen in ne doseže čeljusti nastavka.	Zamenjajte trn	
	Napaka v pnevmatski krmilni napravi.	Kontaktirajte z osebjem Stanley Engineered Fastening	
Čeljusti ne sprostijo dročnika	Umazane repne čeljusti ali ohišje čeljusti.	Očistite in namažite	
	Okvara stikala repne čeljusti.	Zamenjajte okrogla tesnila	
	Signal ujetega zraka	Preverite pnevmatsko napeljavo	
	Napaka v pnevmatski krmilni napravi	Kontaktirajte z osebjem Stanley Engineered Fastening	
Žebnji se ne podajajo skoti nos čeljusti	Čeljusti nastavka niso vklopljene.	Vklopite čeljusti repa	
	Obrabljena čeljust nastavka.	Zamenjajte čeljusti nastavka	
	Usmeritev kazalčka ni pravilna.	Ponovno namestite in zagotovite pravilno usmeritev	
	Nepravilen kazalček	Namesti pravilen kazalček	
	Napačne čeljusti nosu.	Namestite pravilne čeljusti nosu	
	Vzmet sledilnika trna ni nameščen.	Namestite pravo vzmet sledilnika dročnika	
	Dolžina sledilnika dročnika	Namestite pravi sledilnik dročnika	
	Nepravilni razmak med glavo žebnja in čeljustmi nosu pri obremenitvi.	Nastavite vrzel na 1,5–3 mm (1/16–1/8") Glejte »Polnjenje orodja«	199-200
	Kazalček se zatika.	Očistite in naoljite kazalček	
	obrabljeni zračni drsnik	Zamenjajte drsnik	
	Nameščena napačna vzmet sledilnika dročnika.	Namestite pravo vzmet sledilnika dročnika	
Obrabljena ali zlomljena povratna vzmet valja	Zamenjajte povratno vzmet valja		
Prevelika obrabljenost repne čeljusti	Velika obremenitev zaradi obrabe.	Preverite velikost lukenj aplikacije in debelino ter zmožnost prijema žebnja	
Podajanje več kot enega žebnja sočasno	Zdrs trna.	Preverite kot za »zdrs trna«, stopnja 2	
	Nepravilni razmak med glavo žebnja in čeljustmi nosu pri obremenitvi	Nastavite vrzel na 1,5–3 mm (1/16–1/8") Glejte »Polnjenje orodja« na strani	199-200

O drugih znakih ali napakah obvestite svojega pooblaščenega lokalnega distributerja družbe Stanley Engineered Fastening ali servisni center.

OPOMBE

9. IZJAVA ES O SKLADNOSTI

Podjetje **Stanley Engineered Fastening, Stanley House, Works Road, Letchworth Garden City, Hertfordshire, SG6 1JY ZDRUŽENO KRALJESTVO**, izjavlja s polno odgovornostjo, da je naš izdelek:

Opis: Hidro-pnevmatsko repetitivno orodje za hitrostne kovice

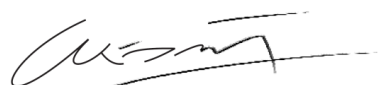
Model: 07536

na katerega se nanaša ta izjava, v skladu s temi usklajenimi standardi:

ISO 12100:2010	EN ISO 3744:2010
EN ISO 11202:2010	EN ISO 11148-1:2011
EN ISO 4413:2010	BS EN 28662-1:1993
EN ISO 4414:2010	EN ISO 20643:2008+A1:2012
EN ISO 28927-5:2009+A1:2015	ES100118-rev 17:2017

Tehnična dokumentacija je sestavljena skladno z dodatkom VII, v skladu z naslednjo direktivo: **Direktiva o strojih 2006/42/ES** (izvedbeni predpisi št. 1597 iz leta 2008 – (varnostni) predpisi o dobavi strojev).

Podpisani podaja to izjavo v imenu podjetja STANLEY Engineered Fastening



A. K. Seewraj
Direktor inženiringa, ZK

Avdel UK Limited, Stanley House, Works Road, Letchworth Garden City, Hertfordshire,
SG6 1JY ZDRUŽENO KRALJESTVO

Kraj izdaje: Letchworth Garden City, ZK

Datum izdaje: 01-01-2021

Podpisani je odgovoren za sestavo tehnične dokumentacije za izdelke, ki so naprodaj v Evropski uniji, in daje to izjavo v imenu podjetja Stanley Engineered Fastening.

Matthias Appel

Vodja ekipe za tehnično dokumentacijo

Stanley Engineered Fastening, Tucker GmbH, Max-Eyth-Str.1,
35394 Gießen, Nemčija



Ta stroj je skladen z
direktivo Stroji 2006/42/ ES

STANLEY
Engineered Fastening

10. IZJAVA O SKLADNOSTI ZA ZDRUŽENO KRALJESTVO

Podjetje **Stanley Engineered Fastening, Stanley House, Works Road, Letchworth Garden City, Hertfordshire, SG6 1JY ZDRUŽENO KRALJESTVO**, izjavlja s polno odgovornostjo, da je naš izdelek:

Opis: Hidro-pnevmatsko repetitivno orodje za hitrostne kovice

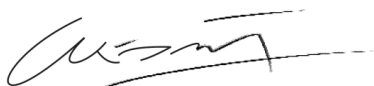
Model: 07536

na katerega se nanaša ta izjava, v skladu s temi navedenimi standardi:

ISO 12100:2010	EN ISO 3744:2010
EN ISO 11202:2010	EN ISO 11148-1:2011
EN ISO 4413:2010	BS EN 28662-1:1993
EN ISO 4414:2010	EN ISO 20643:2008+A1:2012
EN ISO 28927-5:2009+A1:2015	ES100118-rev 17:2017

Tehnična dokumentacija je sestavljena v skladu z (varnostnimi) predpisi o dobavi strojev iz leta 2008, S.I. 2008/1597 (kakor so bili spremenjeni).

Podpisani podaja to izjavo v imenu podjetja STANLEY Engineered Fastening



A. K. Seewraj
Direktor inženiringa, ZK

Avdel UK Limited, Stanley House, Works Road, Letchworth Garden City, Hertfordshire,
SG6 1JY ZDRUŽENO KRALJESTVO

Kraj izdaje: Letchworth Garden City, ZK

Datum izdaje: 01-01-2021



Ta stroj je skladen z
(varnostnimi) predpisi o dobavi strojev iz leta 2008,
S.I. 2008/1597 (dopolnjen)

11. ZAŠČITITE SVOJO NALOŽBO!

Stanley® Engineered Fastening ZA SLEPE KOVICE

STANLEY® Engineered Fastening jamči, da so bila vsa orodja skrbno izdelana in da bodo, pri normalni uporabi, brez napak v materialu in izdelavi za obdobje enega (1) leta.

Ta garancija velja za prvotnega kupca orodja in le za namensko uporabo.

Izključitve:

Normalna obraba.

Periodično vzdrževanje, popravila in nadomestni deli zaradi normalne obrabe so izključeni iz kritja.

Zloraba in napačna uporaba.

Okvara ali poškodba, ki je posledica nepravilnega delovanja, skladiščenja, napačne uporabe ali zlorabe, nesreče ali malomarnosti, kot tudi materialne poškodbe, so izključene iz kritja.

Nepooblaščen servisiranje ali predelava.

Okvare ali poškodbe, ki izhajajo iz servisiranja, prilagoditve za testiranje, montaže, vzdrževanja, rekonstrukcije ali kakršnekoli spremembe, ki je ni izvedlo osebje STANLEY Engineered Fastening, ali njegov pooblaščen servisni center, so izključene iz kritja.

Vse druge garancije, bodisi izražene ali naznačene, vključno z vsemi garancijami o trgovski kakovosti in ustreznosti za namen, so izključene.

Če opazite, da orodje ni skladno z garancijskimi zagotovili, ga takoj dostavite najbližjemu pooblaščenemu servisnemu centru. Za seznam pooblaščenih servisnih centrov STANLEY® Engineered Fastening V ZDA ali Kanadi, se obrnite na nas s klicem na brezplačno telefonsko številko (877) 364 2781.

Izven ZDA in Kanade, obiščite našo spletno stran **www.StanleyEngineeredFastening.com** in poiščite najbližje servisno središče STANLEY Engineered Fastening.

STANLEY Engineered Fastening bo nato brezplačno zamenjal katerikoli del ali dele, za katere bomo ugotovili, da so v okvari zaradi okvare v materialu ali izdelavi, ter vam vrnil popravljeno orodje. To predstavlja našo izključno obveznost znotraj te garancije.

Družba STANLEY Engineered Fastening v nobenem primeru ni odgovorna za kakršno koli posledično ali posebno škodo, ki izhaja iz nakupa ali uporabe tega orodja.

Registrirajte orodje za slepe kovice na spletu.

Za registracijo svoje garancije prek spleta, nas obiščite na <https://www.stanleyengineeredfastening.com/support/warranty-registration-form>

Zahvaljujemo se vam za izbiro orodja blagovne znamke STANLEY® Engineered Fastening's Stanley Assembly Technologies.

© 2021 Stanley Black & Decker, Inc.
 Все права защищены.

Предоставленная информация запрещена к воспроизведению и опубликованию любым способом (электронным и механическим) без предварительного разрешения компании STANLEY Engineered Fastening в письменной форме. Предоставленная информация основана на известных данных на момент выпуска продукта. Компания STANLEY Engineered Fastening соблюдает политику постоянного улучшения изделий, поэтому в дальнейшем изделия могут быть модифицированы. Предоставленная информация относится к поставляемой компанией STANLEY Engineered Fastening продукции. Поэтому компания STANLEY Engineered Fastening не может нести ответственности за убытки и повреждения вследствие внесения изменений в исходные спецификации.

Информация была тщательным образом собрана и отобрана. Тем не менее, компания STANLEY Engineered Fastening не несет ответственности за ошибки в данной информации и их последствия. Компания STANLEY Engineered Fastening не несет ответственности за повреждения вследствие действий третьих лиц. В соответствии с законодательством по защите товарных знаков рабочие названия, товарные знаки, зарегистрированные товарные знаки и т. п., используемые компанией STANLEY Engineered Fastening, не должны рассматриваться как бесплатные.

1. ОПРЕДЕЛЕНИЯ БЕЗОПАСНОСТИ	218
1.1 ОБЩАЯ БЕЗОПАСНОСТЬ	218
1.2 РИСК ЛЕТАЮЩИХ ПРЕДМЕТОВ	219
1.3 РИСКИ, СВЯЗАННЫЕ С ЭКСПЛУАТАЦИЕЙ	219
1.4 РИСКИ, СВЯЗАННЫЕ С ПОВТОРЯЮЩИМИСЯ ДВИЖЕНИЯМИ	219
1.5 РИСКИ, СВЯЗАННЫЕ С ПРИНАДЛЕЖНОСТЯМИ	219
1.6 РИСКИ НА РАБОЧЕМ МЕСТЕ.....	219
1.7 РИСКИ, СВЯЗАННЫЕ С ШУМОМ.....	220
1.8 РИСКИ, СВЯЗАННЫЕ С ВИБРАЦИЕЙ.....	220
1.9 ДОПОЛНИТЕЛЬНЫЕ ПРАВИЛА ТЕХНИКИ БЕЗОПАСНОСТИ ДЛЯ ПНЕВМАТИЧЕСКИХ И ГИДРАВЛИЧЕСКИХ ИНСТРУМЕНТОВ.....	220
2. СПЕЦИФИКАЦИИ	221
2.1 СПЕЦИФИКАЦИИ ДЛЯ ИНСТРУМЕНТА 07536.....	221
2.2 СПЕЦИФИКАЦИИ ДЛЯ УСИЛИТЕЛЯ 07531	221
3. ПРЕДНАЗНАЧЕНИЕ.....	222
3.1 РАЗМЕРЫ ИНСТРУМЕНТА — МОДЕЛЬ 07536.....	222
4. ВВОД В ЭКСПЛУАТАЦИЮ	223
4.1 ПОДАЧА ВОЗДУХА.....	223
4.2 ПНЕВМАТИЧЕСКИЕ КУРСОРЫ.....	224
4.3 ЗАРЯДКА И ПЕРЕЗАРЯДКА ИНСТРУМЕНТА	224
4.4 ПРОЦЕДУРА ЭКСПЛУАТАЦИИ	226
5. ОБСЛУЖИВАНИЕ ИНСТРУМЕНТА	227
5.1 ПНЕВМАТИЧЕСКИЙ БЛОК УПРАВЛЕНИЯ.....	227
5.2 ЕЖЕДНЕВНО.....	227
5.3 ЕЖЕНЕДЕЛЬНО	227
5.4 ЛИТИЕВАЯ СМАЗКА С МОЛИБДЕНОМ EP 3753 — ДАННЫЕ ПО БЕЗОПАСНОСТИ.....	227
5.5 КОМПЛЕКТ ДЛЯ ТЕХНИЧЕСКОГО ОБСЛУЖИВАНИЯ	228
5.6 УЗЕЛ ПНЕВМАТИЧЕСКОГО КУРСОРА, УСИЛИТЕЛЯ И БЛОКА УПРАВЛЕНИЯ 07536-02100.....	229
6. ОБСЛУЖИВАНИЕ	230
6.1 РАЗБОРКА 07536-02200	230
6.2 СБОРОЧНЫЙ ЧЕРТЕЖ ОСНОВНОГО ИНСТРУМЕНТА 07536-02200	233
6.3 ПЕРЕЧЕНЬ ДЕТАЛЕЙ ОСНОВНОГО ИНСТРУМЕНТА 07536-02200	234
6.4 ИНСТРУКЦИИ ПО РАЗБОРКЕ.....	235
6.5 ЗАЩИТА ОКРУЖАЮЩЕЙ СРЕДЫ	236
6.6 УСИЛИТЕЛЬ 07531-02200	236
7. ПРОКАЧКА.....	238
7.1 ПОДРОБНАЯ ИНФОРМАЦИЯ О МАСЛЕ	238
7.2 ДАННЫЕ ПО БЕЗОПАСНОСТИ МАСЛА HUSPIN® VG32 И AWS 32	238
7.3 ПРОЦЕДУРА ПРОКАЧКИ.....	238
8. ДИАГНОСТИКА НЕИСПРАВНОСТЕЙ	239
9. ЗАЯВЛЕНИЕ О СООТВЕТСТВИИ НОРМАМ ЕС	241
10. ЗАЯВЛЕНИЕ О СООТВЕТСТВИИ НОРМАМ СОЕДИНЕННОГО КОРОЛЕВСТВА	242
11. ЗАЩИТИТЕ СВОИ ВЛОЖЕНИЯ!.....	243



Перед введением данного инструмента в эксплуатацию необходимо прочесть настоящее руководство пользователя, обращая особое внимание на технику безопасности.



Всегда используйте ударостойкие защитные очки при работе с инструментом. Степень необходимой защиты надо оценивать для каждого использования.







Используйте средства защиты органов слуха согласно инструкциям работодателя и правилам охраны труда и техники безопасности.



Использование инструмента может быть опасным для оператора, например, имеется риск раздробления рук, ударов, порезов, получения ссадин и ожогов. Надевайте подходящие перчатки для защиты рук.

1. ОПРЕДЕЛЕНИЯ БЕЗОПАСНОСТИ

Ниже описывается уровень опасности, обозначаемый каждым из предупреждений. Прочитайте руководство и обратите внимание на эти символы.

-  **ОПАСНО!** Обозначает опасную ситуацию, которая неизбежно приведет к серьезной травме или смертельному исходу в случае несоблюдения соответствующих мер безопасности.
-  **ОСТОРОЖНО!** Указывает на потенциально опасную ситуацию, которая, в случае несоблюдения соответствующих мер безопасности, может привести к серьезной травме или смертельному исходу.
-  **ВНИМАНИЕ!** Указывает на потенциально опасную ситуацию, которая, в случае несоблюдения соответствующих мер безопасности, может стать причиной травм средней или легкой степени тяжести.
-  **ВНИМАНИЕ!** При использовании без условного обозначения указывает на потенциально опасную ситуацию, которая в случае несоблюдения соответствующих мер безопасности может привести к повреждению оборудования.

Неправильное обращение или обслуживание данного продукта может привести к серьезным травмам и повреждению имущества. Перед началом эксплуатации данного инструмента необходимо прочесть все предупреждения и инструкции по эксплуатации. При использовании механических инструментов необходимо соблюдать основные меры предосторожности, чтобы избежать риска травм.

СОХРАНИТЕ ВСЕ ПРЕДУПРЕЖДЕНИЯ И ИНСТРУКЦИИ ДЛЯ ДАЛЬНЕЙШЕГО ИСПОЛЬЗОВАНИЯ

1.1 ОБЩАЯ БЕЗОПАСНОСТЬ

- Прочитайте и усвойте все правила техники безопасности касательно всех рисков перед установкой, эксплуатацией, ремонтом, техническим обслуживанием, заменой дополнительных принадлежностей или работой рядом с инструментом. Несоблюдение данного требования может привести к серьезной травме.
- Установкой, регулировкой и эксплуатацией инструмента должны заниматься только квалифицированные и обученные операторы.
- Данный инструмент разрешается использовать только для установки потайных заклепок STANLEY Engineered Fastening.
- Совместно с данным инструментом разрешается использовать только части, крепежные элементы и дополнительные принадлежности, рекомендованные производителем.
- ЗАПРЕЩАЕТСЯ вносить какие-либо изменения в конструкцию инструмента. Изменения могут снизить эффективность мер безопасности и повысить риски для оператора. Любое внесение изменений в конструкцию инструмента, выполненное клиентом самостоятельно, является ответственностью клиента и аннулирует настоящую гарантию.
- Не выбрасывайте правила техники безопасности; передайте их оператору.
- Не используйте инструмент, если он поврежден.
- Перед использованием проверьте, нет ли заклинивания движущих деталей, нет ли повреждения деталей и других условий, которые влияют на работу инструмента. В случае обнаружения повреждений, прежде чем приступить к эксплуатации инструмента, его нужно отремонтировать. Перед эксплуатацией снимите регулировочные или гаечные ключи.
- Инструменты следует периодически проверять на сохранность и читаемость значений и маркировок, требуемых данной частью ISO 11148. При необходимости замены этикеток с маркировками, сотрудник/пользователь должен обратиться за запасными к производителю.
- Для обеспечения правильной работы инструмента обученный персонал должен осуществлять своевременное обслуживание и проверку состояния инструмента. Любые работы по разборке инструмента должен выполнять только соответствующим образом обученный персонал. Запрещается разбирать инструмент без ознакомления с инструкциями по обслуживанию.

1.2 РИСК ЛЕЯЩИХ ПРЕДМЕТОВ

- Перед выполнением каких-либо операций по обслуживанию инструмента или его регулировке, снятию или установке узла наконечника или дополнительных принадлежностей, отключите инструмент от подачи воздуха.
- Имейте в виду, что поломка заготовки или дополнительной принадлежности или даже самого вставленного инструмента может привести к появлению высокоскоростных летящих предметов.
- Всегда используйте ударостойкие защитные очки при работе с инструментом. Степень необходимой защиты надо оценивать для каждого использования.
- Также необходимо оценить риски для окружающих.
- Убедитесь, что заготовка надежно закреплена.
- Убедитесь, что средства защиты от выброса крепежного элемента и/или сердечник установлены на место и находятся в рабочем состоянии.
- Предупреждайте возможный выброс сердечника из передней части инструмента.
- ЗАПРЕЩАЕТСЯ направлять инструмент на людей.

1.3 РИСКИ, СВЯЗАННЫЕ С ЭКСПЛУАТАЦИЕЙ

- Использование инструмента может подвергнуть руки оператора опасностям, например раздроблению, ударам, порезам, ссадинам и нагреву. Надевайте подходящие перчатки для защиты рук.
- Операторы и технический персонал должны быть физически способны справиться с размером, массой и мощностью инструмента.
- Правильно удерживайте инструмент, будьте готовы противодействовать нормальному или резким внезапным движениям. Работайте обеими руками.
- Следите за тем, чтобы рукоятки инструмента были сухими, чистыми и не испачканными маслом и смазочными материалами.
- Сохраняйте устойчивое положение тела и крепко стойте на ногах при работе с инструментом.
- Отпустите пусковое устройство при перебое гидравлического питания.
- Используйте только смазки, рекомендованные производителем.
- Контакт с гидравлической жидкостью следует избегать. Тщательно промойте место попадания жидкости на кожу, чтобы снизить возможность возникновения высыпаний.
- Паспорта безопасности материалов для всех гидравлических жидкостей и смазок можно запросить у поставщика инструмента.
- Избегайте нахождения в неподходящих позах, так как они, скорее всего, не позволят противодействовать нормальному или неожиданному движению инструмента.
- Если инструмент закреплен на подвеске, убедитесь в надежности крепления.
- Учитывайте риск раздробления или защемления, если оборудование наконечника не установлено.
- ЗАПРЕЩАЕТСЯ эксплуатировать инструмент со снятым корпусом наконечника.
- Перед началом работы с инструментом убедитесь, что в месте работы достаточно пространства для рук оператора.
- При переноске инструмента с одного места на другое, соблюдайте осторожность, чтобы случайно не нажать на пусковой механизм инструмента.
- Не роняйте инструмент и не используйте его вместо молотка.
- Следите за тем, чтобы отработанные сердечники заклепок не создавали опасности.

1.4 РИСКИ, СВЯЗАННЫЕ С ПОВТОРЯЮЩИМИСЯ ДВИЖЕНИЯМИ

- При использовании инструмента, оператор может ощутить дискомфорт ладоней, рук, плеч, шеи или других частей тела.
- При использовании инструмента, оператору следует принять удобное положение, при этом твердо стоя на ногах и избегая неудобных или неустойчивых поз. Оператору следует менять позу во время продолжительной работы, так как это может помочь предотвратить дискомфорт и усталость.
- Если оператор испытывает постоянный или периодический дискомфорт, боль, пульсацию, гудение, покалывание, жжение или скованность, то эти предупредительные сигналы не следует игнорировать. Оператор должен доложить об этом работодателю и обратиться за помощью к квалифицированному медицинскому работнику.

1.5 РИСКИ, СВЯЗАННЫЕ С ПРИНАДЛЕЖНОСТЯМИ

- Отключите инструмент от подачи воздуха перед установкой или снятием узла наконечника или принадлежностей.
- Используйте только размеры и типы принадлежностей и расходных материалов, рекомендованные производителем инструмента; не используйте другие типы или размеры принадлежностей или расходных материалов.

1.6 РИСКИ НА РАБОЧЕМ МЕСТЕ

- Скольжение, спотыкание и падение являются основными причинами травм на рабочем месте. Следите за скользкими поверхностями, создаваемыми использованием инструмента, а также рисками спотыкания, создаваемыми пневмолиниями или гидравлическими шлангами.
- Находясь в незнакомой среде, действуйте осторожно. Возможно присутствие скрытых опасностей, например, электропроводки или других технических коммуникаций.

- Инструмент не предназначен для использования в потенциально взрывоопасной среде и не оснащен изоляцией для предотвращения удара электрическим током.
- Убедитесь, что рядом нет электрических кабелей или газопроводов и т. п., которые могут создать опасную ситуацию при повреждении инструментом.
- Выбирайте одежду правильно. Не носите свободную одежду и ювелирные украшения. Следите за тем, чтобы волосы, одежда и перчатки не попадали под движущиеся детали. Возможно наматывание свободной одежды, ювелирных изделий и длинных волос на движущиеся детали.
- Следите за тем, чтобы отработанные сердечники заклепок не создавали опасности.

1.7 РИСКИ, СВЯЗАННЫЕ С ШУМОМ

- Высокий уровень шума без использования надлежащей защиты может привести к полной потере слуха и прочим проблемам, таким как тиннитус (звон, гудение, свист или жужжание в ушах). Поэтому, важно выполнить оценку рисков и использовать соответствующие средства снижения этих опасностей.
- Соответствующие средства снижения риска могут включать в себя использование амортизирующих материалов для предотвращения «звона» заготовок.
- Используйте средства защиты органов слуха согласно инструкциям работодателя и правилам охраны труда и техники безопасности.
- Эксплуатацию и техническое обслуживание инструмента следует выполнять в соответствии с инструкциями, чтобы избежать ненужного повышения уровня шума.

1.8 РИСКИ, СВЯЗАННЫЕ С ВИБРАЦИЕЙ

- Воздействие вибрации может привести к повреждениям нервной системы и системы кровообращения рук и ног.
- Носите теплую одежду при работе в холодную погоду и держите руки теплыми и сухими.
- Если вы испытываете онемение, покалывание, боль или побледнение кожи на пальцах или руках, прекратите использование инструмента, доложите об этом работодателю и обратитесь к врачу.
- Везде, где это возможно, поддерживайте инструмент с помощью стола, натяжного инструмента или стабилизатора, так как это позволяет облегчить усилие, необходимое для поддержки инструмента.

1.9 ДОПОЛНИТЕЛЬНЫЕ ПРАВИЛА ТЕХНИКИ БЕЗОПАСНОСТИ ДЛЯ ЭЛЕКТРОПНЕВМАТИЧЕСКИХ И ЭЛЕКТРОГИДРАВЛИЧЕСКИХ ИНСТРУМЕНТОВ

- Рабочее давление не должно превышать 7 бар (100 фунтов на квадратный дюйм).
- Воздух под давлением может привести к серьезным травмам.
- Не оставляйте рабочий инструмент без внимания. Отсоединяйте шланг подачи воздуха, если инструмент не используется, а также перед заменой дополнительных принадлежностей или ремонтом.
- ЗАПРЕЩАЕТСЯ направлять отверстие отвода воздуха коллектора сердечников заклепок на оператора и других лиц. Не направляйте воздушный поток на себя или кого-либо еще.
- Сорванные шланги могут привести к серьезным травмам. Всегда проверяйте шланги и фитинги на предмет повреждений или ослабления.
- Перед эксплуатацией проверьте воздухопроводы на наличие повреждений, а также проверьте надежность соединений. Не роняйте тяжелые предметы на шланги. Острые предметы могут нанести при падении внутренние повреждения, которые приведут к преждевременному выходу шланга из строя.]
- Холодный воздух следует направлять в сторону от рук.
- При использовании универсальных скручиваемых муфт (зубчатых муфт) необходимо устанавливать фиксаторы и использовать предохранительные тросы для предотвращения возможных неисправностей соединений от шланга к инструменту или от шланга к шлангу.
- ЗАПРЕЩАЕТСЯ поднимать заклепочник за шланг. Поднимайте заклепочник только за рукоятку.
- Не закрывайте вентиляционные отверстия инструмента.
- Следите за тем, чтобы в гидравлической системе не было грязи и прочих инородных веществ, так как это приведет к поломке инструмента.
- Масло под давлением может привести к серьезным травмам.
- Перед эксплуатацией, проверьте гидравлические шланги на наличие повреждений. Все гидравлические соединения должны быть чисты, полностью вставлены и затянуты перед работой. Не роняйте тяжелые предметы на шланги. Острые предметы могут стать причиной внутренних повреждений шланга при падении.
- ЗАПРЕЩАЕТСЯ тянуть или перемещать гидравлический насосный блок за шланги. Обязательно используйте рукоятку на устройстве.
- Используйте только чистое масло и оборудование для заправки.
- Допускается использование только рекомендуемых гидравлических жидкостей.
- Максимальная температура гидравлической жидкости на впуске должна составлять 100 °C (212 °F).

▲ ОСТОРОЖНО! Несмотря на то, что при нормальном и правильном использовании сердечника, естественно, происходит его износ и остаются отметины, необходимо регулярно проверять сердечник на чрезмерный износ и отметины, уделяя особое внимание диаметру головки, области захвата хвостовых губок, сильной точечной коррозии

хвостовика и любым деформациям сердечника. Сердечники, которые выходят из строя во время использования, могут самопроизвольно вывалиться из инструмента. Заказчик несет ответственность за своевременную замену сердечников, до того как они будут чрезмерно изношены и до достижения максимального количества размещений. Свяжитесь с вашим представителем STANLEY Engineered Fastening, чтобы узнать это значение путем измерения материала и нагрузки на протяжку с помощью калиброванного измерительного инструмента.

Политика STANLEY Engineered Fastening нацелена на непрерывное развитие и улучшение продукции, и мы оставляем за собой право вносить изменения в спецификацию любого изделия без предварительного уведомления.

2. СПЕЦИФИКАЦИИ

2.1 СПЕЦИФИКАЦИИ ДЛЯ ИНСТРУМЕНТА 07536

Давление воздуха	Минимальное — максимальное	5–7 бар (70–100 фунт-сила/дюйм ²)
Необходимый свободный объем воздуха	При 5,1 бар/75 фунт-сила/дюйм ²	2,6 л (0,09 фут. ³)
Ход	Мин.	25 мм (1 дюйма)
Сила втягивания	При 5,5 бар/80 фунт-сила/дюйм ²	3,89 кН (875 фунт-сила)
Время цикла	Приблизительно	1 секунда
Масса	Пистолетный	1,2 кг (2,64 фунта)

2.2 СПЕЦИФИКАЦИИ ДЛЯ УСИЛИТЕЛЯ 07531

Давление воздуха	Минимальное — максимальное	5–7 бар (70–100 фунт-сила/дюйм ²)
Соотношение усиления		32:1

Значения шума, определенные согласно методам контроля шума ISO 15744 и ISO 3744.		07536
Уровень акустической мощности по кривой A в дБ(A), L_{WA}	Погрешность шума: $k_{WA} = 2.3$ дБ(A)	79.5 дБ(A)
Уровень акустического давления по кривой A на рабочей станции дБ(A), L_{pA}	Погрешность шума: $k_{pA} = 2.3$ дБ(A)	68.5 дБ(A)
Уровень акустического давления пиковой эмиссии по кривой C в дБ(C), L_{pC} , пик	Погрешность шума: $k_{pC} = 2.5$ дБ(C)	96.9 дБ(C)
Значения вибрации, определенные согласно методам испытаний на вибрации согласно ISO 20643 и ISO 5349		07536
Уровень эмиссии вибрации, a_{hd} :	Погрешность вибрации: $k = 0.25$ м/с ²	0.97 м/с ²
Заявленные значения эмиссии вибрации в соответствии с требованиями EN 12096		

3. ПРЕДНАЗНАЧЕНИЕ

Легкий ручной пневматический инструмент типа 07536 предназначен для установки 1/16-дюймовых крепежных элементов кроме Avlug®, что идеально подходит для серийной или поточной сборки, позволяя использовать инструмент в широком спектре видов применений во всех областях промышленности.

Ручной инструмент и усилитель были испытаны как отдельные устройства и вместе. Их можно использовать только вместе и ни для каких других целей. См. «Ввод в эксплуатацию» на стр. 223-226 получения подробной информации о подключении.

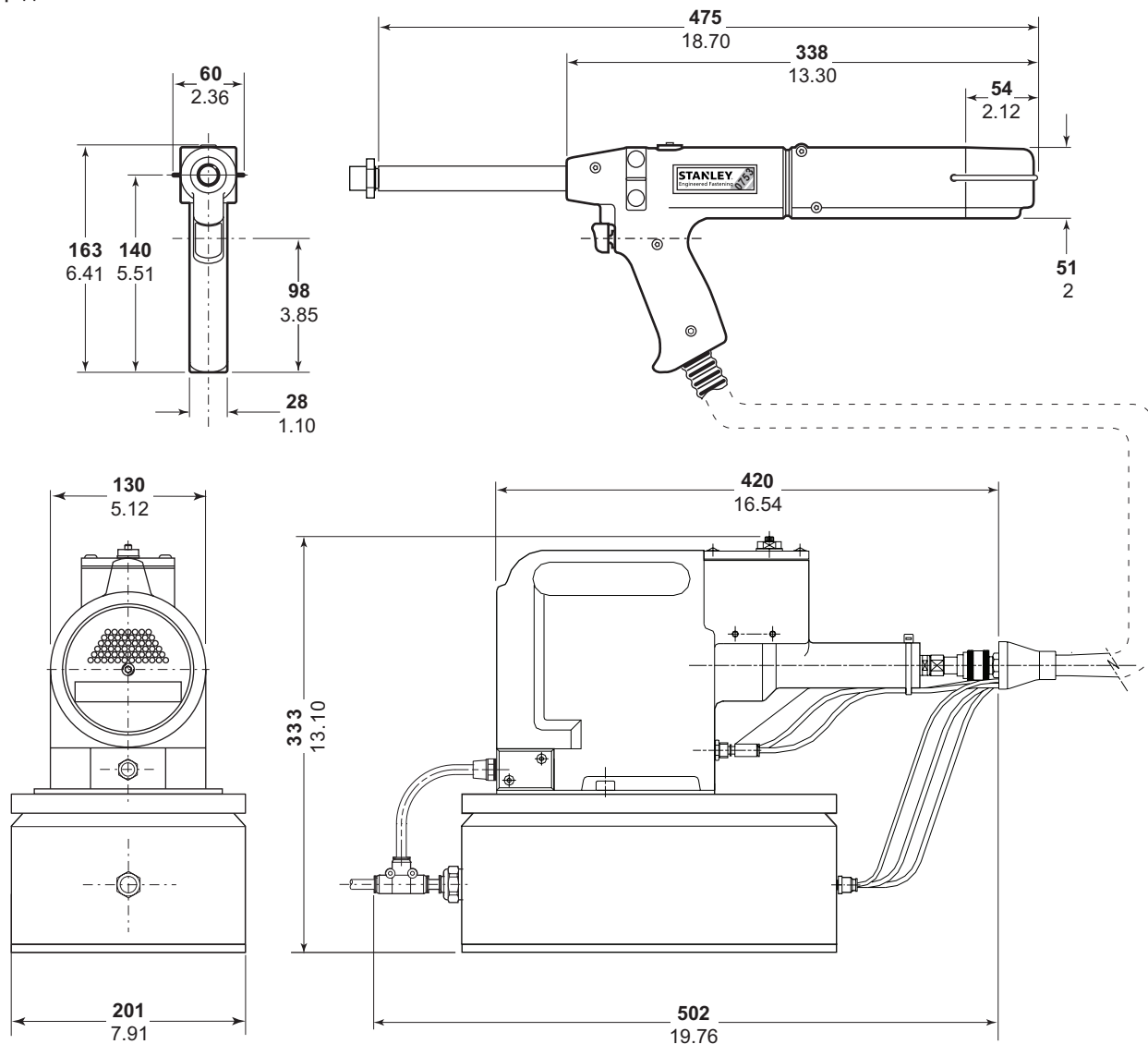
Номера деталей указаны для заказа всего инструмента, включая усилитель и все шланги, но без оборудования наконечника.

Номер инструмента для модели 07536 — 07536-02200.
См. сборочные чертежи на стр. 229-237.

НЕ используйте в условиях повышенной влажности или поблизости от легковоспламеняющихся жидкостей или газов.

3.1 РАЗМЕРЫ ИНСТРУМЕНТА — МОДЕЛЬ 07536

Номер детали 07536-02100



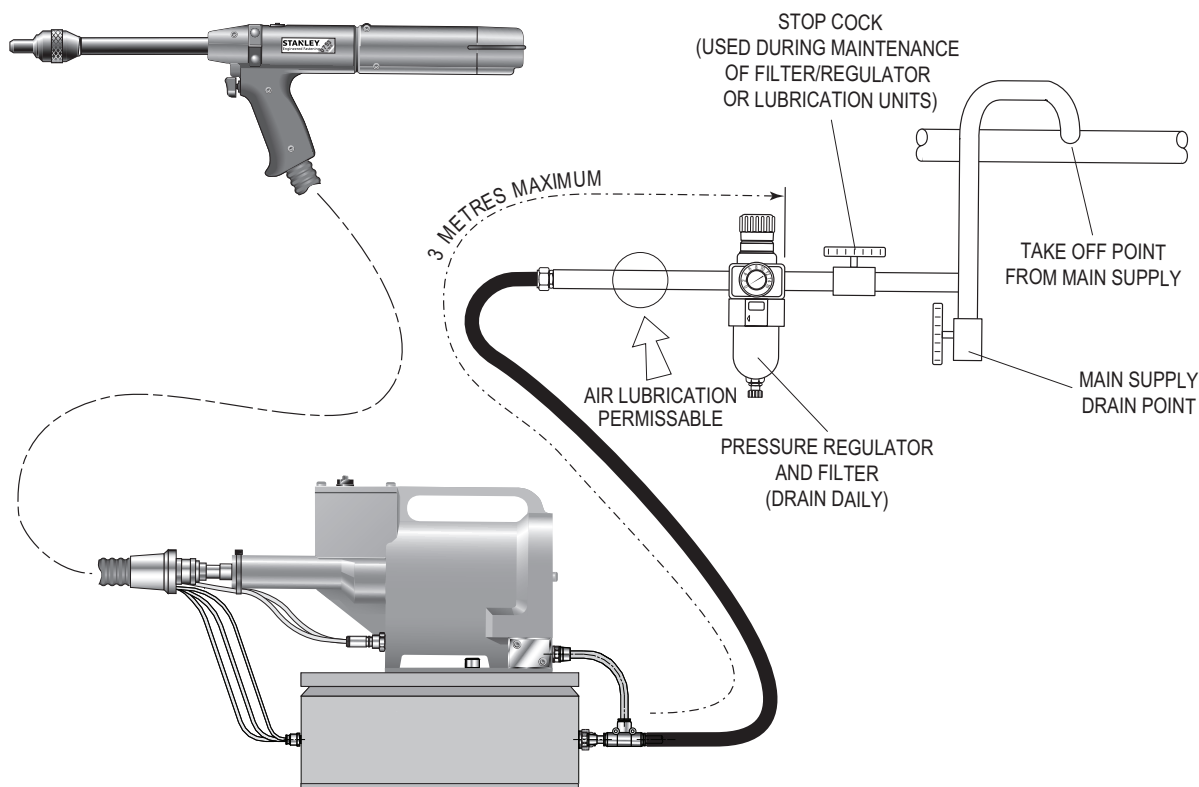
Размеры в мм.

4. ВВОД В ЭКСПЛУАТАЦИЮ

4.1 ПОДАЧА ВОЗДУХА

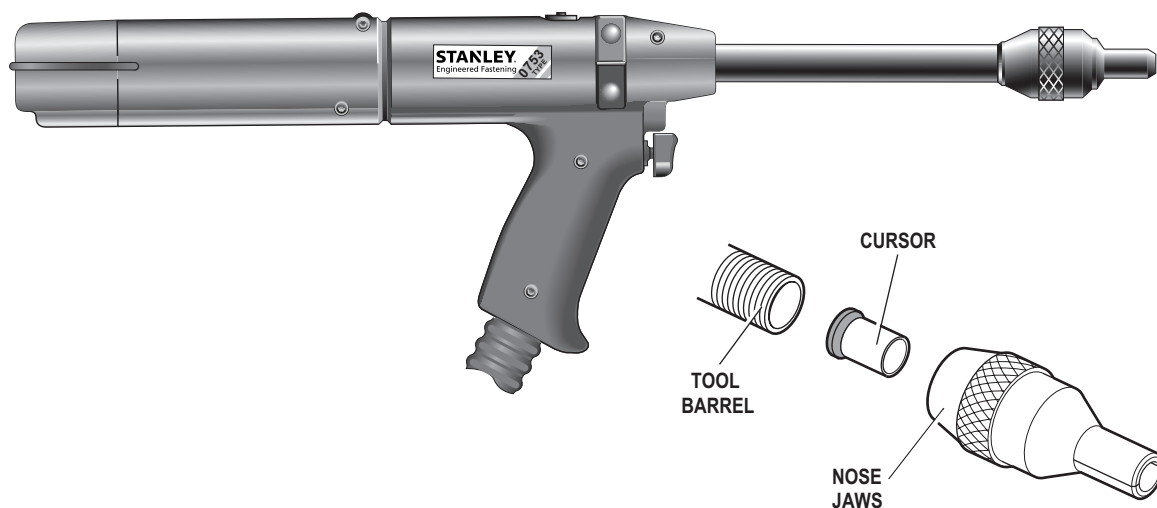
Для всех инструментов необходима подача воздуха с оптимальным давлением 5,5 бар. Рекомендуем использовать регуляторы давления и системы автоматической смазки/фильтрации на источнике подачи воздуха. Чтобы обеспечить максимальный срок службы инструмента и минимальные затраты времени на техническое обслуживание, их следует устанавливать не дальше 3 м от инструмента (см. схему ниже).

Минимальное эффективное рабочее давление воздушных шлангов должно составлять 150 % от максимального давления системы или 10 бар, в зависимости от большего значения. Пневматические шланги должны быть маслостойкими, износоустойчивыми и, в случае, если условия эксплуатации могут привести к повреждению шлангов, армированными. Все воздушные шланги должны обладать внутренним диаметром НЕ МЕНЕЕ 6,4 мм или 1/4 дюйма.



- Следуйте нижеприведенным шагам при подключении инструмента к усилителю и главному источнику воздуха:
- Вставьте конец большого гидравлического шланга от инструмента в быстроразъемное соединение на конце усилителя.
- На передней стороне усилителя (см. стр. 229):
 - Вставьте синюю пневмолинию (наружный диаметр 4 мм) в переходник, который находится в левом переборочном разъеме.
 - Вставьте черную пневмолинию (наружный диаметр 4 мм) в пластмассовую манжету правого переборочного разъема.
- На передней стороне блока управления (см. стр. 229):
 - Вставьте серебристую пневмолинию (наружный диаметр 3 мм) в переходник с пометкой «Cursor» (курсор) на лицевой стороне блока управления — с левой стороны.
 - Вставьте зеленую пневмолинию (наружный диаметр 4 мм) в переходник с пометкой «Tail Jaws» (хвостовые губки) на лицевой стороне блока управления — с левой стороны.
 - Вставьте белую пневмолинию (наружный диаметр 4 мм) в переходник с пометкой «Signal» (сигнал) на лицевой стороне блока управления — с правой стороны.
- Установите пневматический шланг между штыревым разъемом в задней части усилителя и главным источником воздуха.

4.2 ПНЕВМАТИЧЕСКИЕ КУРСОРЫ



Выбор пневматического курсора

См. отдельный лист данных 07900-00863 для компонентов узла наконечника.

КУРСОР

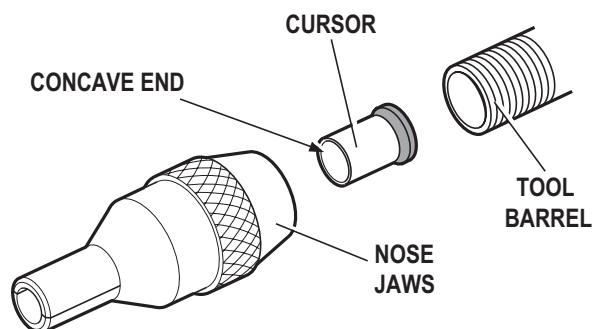
ВАЖНО!
Если курсор установлен неправильно, зарядка инструмента подача крепежных элементов будет невозможна.

Хотя при поставке инструмента курсор в нем расположен правильно, мы рекомендуем проверить ориентацию курсора перед установкой оборудования наконечника. Слегка вогнутый конец курсора должен быть направлен в сторону передней части инструмента, как показано на рисунке.

Чтобы изменить ориентацию курсора, выполните следующие действия:

При выполнении следующей процедуры следует соблюдать предельную осторожность. Будьте осторожны и не заденьте ствол или выступающий сердечник.

- Снимите узел наконечника, если таковой установлен.
- Полностью вставьте пустой сердечник в инструмент.
- Закройте хвостовые губки **32**, включив переключатель хвостовых губок (позиции **18** и **19**).
- Курсор выскочит из ствола с небольшой задержкой.
- Откройте хвостовые губки **32**, выключив переключатель хвостовых губок (позиции **18** и **19**), что высвободит сердечник.
- Снимите курсор с сердечника и вставьте курсор в ствол.



4.3 ЗАРЯДКА И ПЕРЕЗАРЯДКА ИНСТРУМЕНТА

ВАЖНО!
Процедуры зарядки инструмента и установки оборудования наконечника нераздельны.

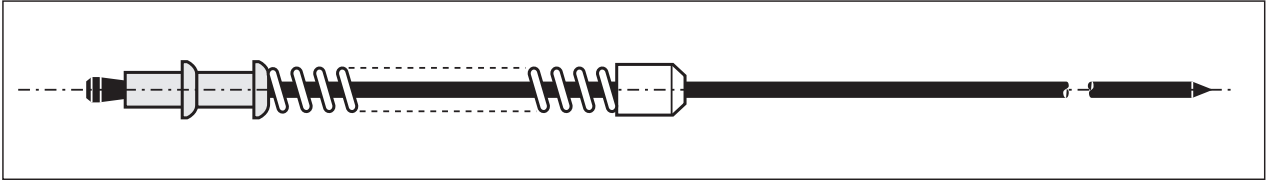
Собранный инструмент или система, как правило, поставляются со всем оборудованием наконечника для установки крепежных элементов.

Если ваш инструмент поставляется с носовыми губками, сердечниками и пружинами-толкателями, перейдите к зарядке инструмента и установке оборудования наконечника, как показано ниже.

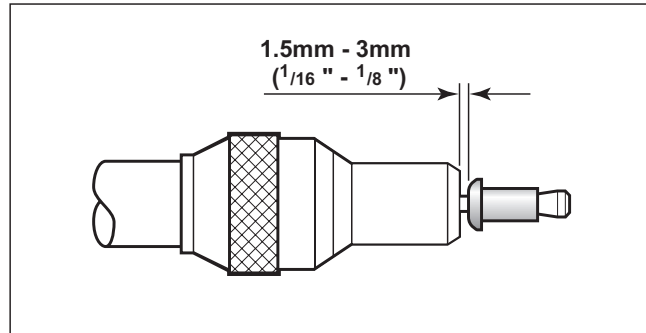
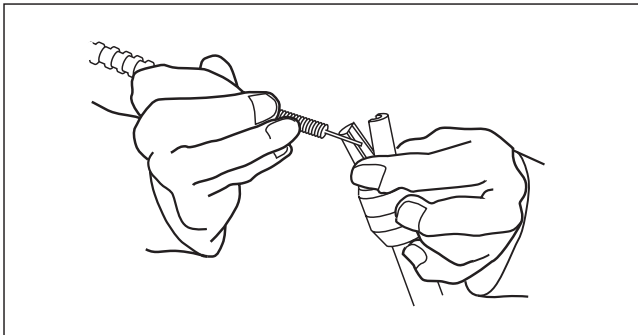
Номера позиций, выделенные **жирным шрифтом**, относятся к сборочному чертежу и перечню деталей для инструмента 07536-02200 на стр. 233-234.

Зарядка инструмента

- Подключите подачу воздуха к инструменту.
- Откройте хвостовые губки **32**, удерживающие сердечник, выключив переключатель хвостовых губок (позиции **18** и **19**).
- Наверните выбранные носовые губки на ствол **44** инструмента.
- * Вставьте сердечник в хвостовую часть крепежного элемента с помощью бумажной подвески.
- Установите на сердечник пружину-толкатель, правильно развернув ее.



- Захватив хвостовую часть сердечника, оторвите бумажную подвеску вокруг крепежных элементов.
- Раскройте носовые губки либо путем вращения наружного кольца на кулачковых губках, либо выталкиванием концов губки наружу, как показано на рисунке слева внизу.
- Вставьте предварительно собранный сердечник, пружину-толкатель и крепежные элементы в носовые губки до тех пор, пока первый крепежный элемент не будет выступать из носовых губок.
- Закройте носовые губки и отрегулируйте их так, чтобы первый крепежный элемент выступал на 1,5–3 мм ($1/16$ – $1/8$ дюйма), как показано на рисунке справа внизу.
- Закройте хвостовые губки **32**, чтобы обеспечить захват сердечника, включив переключатель хвостовых губок (позиции **18** и **19**).



Перезарядка инструмента

- Откройте хвостовые губки **32**, выключив переключатель хвостовых губок (позиции **18** и **19**).
- Раскройте носовые губки и вытяните пустой сердечник и пружину-толкатель из инструмента.
- Перезарядите инструмент следуя инструкциям выше, начиная с этапа *.

Регулировка инструмента — только для регулируемых узлов наконечника

Вставьте заранее собранный сердечник (см. «Зарядка инструмента» *) или одноразовый сердечник вплотную к упору в узле поршня хвостовых губок **60**.

Держа сердечник, закройте хвостовые губки **32**, удерживающие сердечник, включив переключатель хвостовых губок (**18** и **19**).

Наверните стопорную гайку на ствол **44** инструмента.

Наверните узел наконечника на ствол **44**.

Отрегулируйте узел наконечника так, чтобы первый крепежный элемент выступал на 1,5–3 мм ($1/16$ – $1/8$ дюйма), как показано на рисунке на стр. 225.

Номера позиций, выделенные **жирным шрифтом**, относятся к сборочному чертежу и перечню деталей для инструмента 07536-02200 на стр. 233-234.

Затяните стопорную гайку на узле наконечника, чтобы исключить движение узла носовых губок.

Перезарядка инструмента

Откройте хвостовые губки инструмента, выключив переключатель хвостовых губок (**18-19**).

Откройте губки и вытяните пустой сердечник и пружину-толкатель из инструмента.

Вставьте и прислоните новый сердечник к упору внутри инструмента и закройте хвостовые губки **32**, удерживающие сердечник, включив переключатель хвостовых губок (**18** и **19**).

Закройте хвостовые губки **32**.

4.4 ПРОЦЕДУРА ЭКСПЛУАТАЦИИ

ВАЖНО!

Перед эксплуатацией инструмента обязательно проверьте правильность ориентации курсора и установки оборудования наконечника.

- Вставьте выступающий из носовых губок крепежный элемент в отверстия материала полностью и убедитесь, что инструмент установлен под прямым углом.
- Нажмите на пусковой выключатель, не отпуская его. Головка сердечника протягивается через крепежный элемент, устанавливая его в заготовку.
- Снимите инструмент.
- Отпустите пусковой выключатель. Следующий крепежный элемент автоматически подается в носовые губки и готов к установке.

5. ОБСЛУЖИВАНИЕ ИНСТРУМЕНТА

Для корректной работы инструмента необходимо выполнять его регулярное обслуживание, а также проводить комплексную проверку каждый год или через каждые 500 000 циклов, в зависимости от того, что наступит ранее.

ВАЖНО!

Работодатель несет ответственность за обеспечение передачи инструкций по техническому обслуживанию соответствующему персоналу.

Оператор не должен заниматься техническим обслуживанием или ремонтом инструмента в отсутствие соответствующего обучения.

5.1 ПНЕВМАТИЧЕСКИЙ БЛОК УПРАВЛЕНИЯ

ВАЖНО!

Пневматический блок не разрешается открывать ни при каких условиях. Блок является неразборной деталью. Внутренние настройки заданы на заводе и не должны подвергаться изменениям или вмешательству. Разбирать данный блок управления разрешается только уполномоченному персоналу STANLEY Engineered Fastening.

▲ ВНИМАНИЕ! Никогда не пользуйтесь растворителями или другими сильнодействующими химическими веществами для чистки неметаллических частей инструмента. Эти химикаты могут ослаблять структуру материала, используемого для производства таких деталей.

5.2 ЕЖЕДНЕВНО

- Ежедневно перед использованием или при введении инструмента в эксплуатацию. Добавьте несколько капель чистого смазочного масла в воздухозаборник усилителя, если источник воздуха не оборудован замасливающим устройством. Если инструмент постоянно используется, пневматический шланг необходимо отключать от источника подачи воздуха и смазывать каждые два или три часа.
- Проверьте на наличие утечек воздуха и масла. Изношенные или поврежденные шланги и соединения следует заменять.
- Если на регулятор давления не установлен фильтр, после каждого отключения пневматического шланга необходимо удалять воздух из пневмолинии, чтобы удалить из него грязь или воду. Если фильтр установлен, опустошите его.
- Убедитесь, что установлено правильное оборудование наконечника.
- Регулярно проверяйте сердечники на предмет повреждений, следя за количеством размещений (ознакомьтесь с правилами техники безопасности на стр. 218–220).

5.3 ЕЖЕНЕДЕЛЬНО

- Выполняйте все указанные выше процедуры ежедневного обслуживания.
- Снимайте, проверяйте, очищайте и смазывайте хвостовые губки (см. «Цилиндр хвостовых губок» в разделе «Техническое обслуживание» на стр. 230).
- Проверьте уровень масла в блоке усилителя и убедитесь, что он находится на уровне в примерно 12 мм (1/2 дюйма) ниже прозрачной крышки.

5.4 ЛИТИЕВАЯ СМАЗКА С МОЛИБДЕНОМ EP 3753 — ДАННЫЕ ПО БЕЗОПАСНОСТИ

Смазку можно заказать в виде одного изделия, номер детали приведен в комплекте для технического обслуживания на стр. 228.

Первая помощь

КОЖА

Поскольку смазка является полностью водостойкой, ее лучше удалить одобренным эмульсированным средством для мытья кожи.

ПОПАДАНИЕ ВНУТРЬ

Дайте пострадавшему выпить 30 мл гидроксида магния, предпочтительно вместе со стаканом молока.

ГЛАЗА

Раздражает, но причиняет вреда. Промойте водой и обратитесь за медицинской помощью.

Возгорание

ТЕМПЕРАТУРА ВОСПЛАМЕНЕНИЯ: выше 220 °С.

Не считается горючей.

Подходящие средства пожаротушения: CO₂, хладон или водный туман при достаточно опытном операторе.

Окружающая среда

Соскоблите для сжигания или утилизации на подходящей площадке.

Обращение

Используйте защитный крем или маслостойкие перчатки.

Хранение

Храните вдали от источников тепла и окислителей.

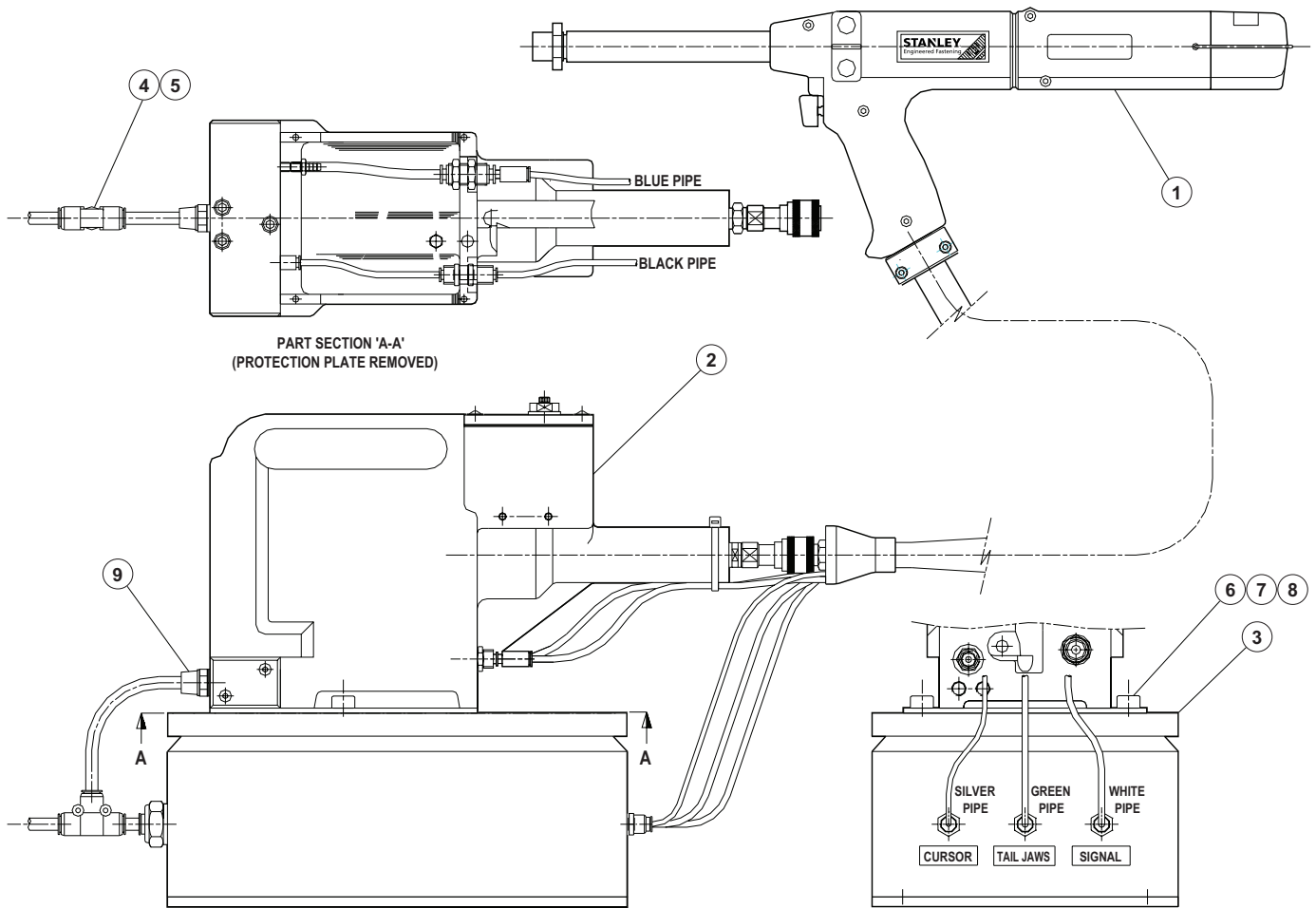
5.5 КОМПЛЕКТ ДЛЯ ТЕХНИЧЕСКОГО ОБСЛУЖИВАНИЯ

Рекомендуем использовать комплект для технического обслуживания (номер детали 07900-05300) для всех работ по обслуживанию.

НАБОР ДЛЯ ТЕХНИЧЕСКОГО ОБСЛУЖИВАНИЯ					
НОМЕР ДЕТАЛИ ЭЛЕМЕНТА	ОПИСАНИЕ	КОЛИЧЕСТВО	НОМЕР ДЕТАЛИ ЭЛЕМЕНТА	ОПИСАНИЕ	КОЛИЧЕСТВО
07900-00157	КУСАЧКИ ДЛЯ ПРУЖИННЫХ КОЛЕЦ	1	07900-00352	КРЮК ДЛЯ СНЯТИЯ УПЛОТНЕНИЙ	1
07900-00006	ШПАТЕЛЬ	1	07900-00710	КЛЮЧ ДЛЯ СНЯТИЯ ЗАГЛУШКИ СТВОЛА	1
07900-00446	ЭКСТРАКТОР	1	07900-00725	ПАТРОН	1
07900-00603	ГУБКИ ДЛЯ ТИСОК ДЛЯ СТВОЛА	1	07900-00243	ОТВЕРТКА	1
07900-00520	ШТОК 3/8 ДЮЙМА	1	07900-00717	ГАЕЧНЫЙ КЛЮЧ УСИЛИТЕЛЯ	1
07900-00521	ШТОК 1/4 ДЮЙМА	1	07900-00013	ШЕСТИГРАННЫЙ КЛЮЧ 1/8 ДЮЙМА	1
07900-00602	СБОРОЧНЫЙ ПАТРОН УПЛОТНИТЕЛЬНОГО КОЛЬЦА	1	07900-00617	УНИВЕРСАЛЬНАЯ СМАЗКА LOCTITE® 574 50 мл	1
07900-00595	ГАЕЧНЫЙ КЛЮЧ 18 мм	1	07900-00469	ШЕСТИГРАННЫЙ КЛЮЧ 2,5 мм	1
07900-00434	ГАЕЧНЫЙ КЛЮЧ 32 мм	1	07900-00351	ШЕСТИГРАННЫЙ КЛЮЧ 3 мм	1
07900-00237	ГАЕЧНЫЙ КЛЮЧ ПОД РЕЗЬБУ ВИТВОРТА 3/8 ДЮЙМА × 5/16 ДЮЙМА	1	07900-00224	ШЕСТИГРАННЫЙ КЛЮЧ 4 мм	1
07900-00012	ШЕСТИГРАННЫЙ КЛЮЧ 9/16 ДЮЙМА × 5/8 ДЮЙМА	1	07900-00225	ШЕСТИГРАННЫЙ КЛЮЧ 5 мм	1
07900-00008	ШЕСТИГРАННЫЙ КЛЮЧ 7/16 ДЮЙМА × 1/2 ДЮЙМА	1	07992-00020	ЛИТИЕВАЯ СВЯЗКА С МОЛИБДЕНОМ EP 3753 В БАНКЕ, 80 г	1

Примечание. Размеры гаечных ключей измерены по сечению гайки или головки винта, если не указано иначе.

5.6 УЗЕЛ ПНЕВМАТИЧЕСКОГО КУРСОРА, УСИЛИТЕЛЯ И БЛОКА УПРАВЛЕНИЯ 07536-02100



ПОЗИЦИЯ	№ ДЕТАЛИ	ОПИСАНИЕ	КОЛ-ВО
1	07536-02200	РУЧНОЙ ПНЕВМАТИЧЕСКИЙ КУРСОР	1
2	07531-02200	УСИЛИТЕЛЬ	1
3	07007-02024	БЛОК УПРАВЛЕНИЯ ПНЕВМАТИЧЕСКОГО КУРСОРА	1
4	07005-10071	Т-ОБРАЗНЫЙ РАЗЪЕМ	1
5	07005-10072	8 мм ТРУБКА (2,50 м)	1
6	74405-12080	МОДИФИЦИРОВАННАЯ ЗАКЛАДНАЯ ГАЙКА М8	8
7	07001-00469	ВИНТ С ЦИЛИНДРИЧЕСКОЙ ГОЛОВКОЙ И УГЛУБЛЕНИЕМ ПОД КЛЮЧ М8 × 15	2
8	07002-00105	ШАЙБА М8	4
9	07005-01573	ШТЫРЕВОЙ РАЗЪЕМ ПОД ТРУБКУ 8 мм	1
10	07005-01977	ШТЫРЕВОЙ/ГНЕЗДОВОЙ ПЕРЕХОДНИК 6 мм/4 мм	1

6. ОБСЛУЖИВАНИЕ

Каждые 500 000 циклов, инструмент следует полностью разбирать, с использованием новых компонентов для замены изношенных, поврежденных или согласно рекомендациям. Все уплотнительные кольца и уплотнения следует обновить и смазать литиевой смазкой с молибденом EP 3753 перед обратной сборкой.

ВАЖНО!

Правила техники безопасности приведены на стр. 4.

Работодатель несет ответственность за обеспечение передачи инструкций по техническому обслуживанию соответствующему персоналу.

Оператор не должен заниматься техническим обслуживанием или ремонтом инструмента в отсутствие соответствующего обучения.

Перед любой работой по техническому обслуживанию или разборкой обязательно отключите подачу воздуха, если в инструкции не указано иначе.

Рекомендуется проводить все работы по разборке в чистой среде.

Перед разборкой инструмента необходимо снять все носовое оборудование.

Для комплексного обслуживания инструмента рекомендуется разобрать подузлы в приведенном ниже порядке после отсоединения гидравлического шланга от блока усилителя, а пневмолиний — от усилителя и блока управления, тем самым отделив пистолетный блок от блока усилителя.

Перед техническим обслуживанием необходимо очистить машину от опасных веществ, которые могли отложиться на ней в ходе работы.

6.1 РАЗБОРКА 07536-02200

ЦИЛИНДР ХВОСТОВЫХ ГУБОК

- Вручную поднимите фиксатор **53** и снимите торцевую крышку **59**.
- С помощью шестигранного ключа*, выверните один винт с цилиндрической головкой **6**, обеспечив таким образом выход оставшегося воздуха из цилиндра хвостовых губок. Выверните второй винт с цилиндрической головкой **6**.
- Извлеките заднюю пробку **50**. **Примечание.** Чтобы облегчить извлечение, с задней стороны пробки предусмотрена резьба 5 мм.
- Извлеките пневматические компоненты хвостовых губок, включающие в себя узел поршня хвостовых губок **60**, упор **52**, уплотнительное кольцо **12** и губки **32**.
- Извлеките оставшиеся компоненты, состоящие из пружины 36 и корпуса губок **42**.
- Длина пружины **36** в свободном состоянии должна составлять 38,1 мм (1,5 дюйма). При необходимости, замените.
- Снимите уплотнительное кольцо узла поршня **11**.
- Отсоедините проволочную трубку (зеленую) **49** от коленчатого разъема **22**.
- Отсоедините проволочную трубку (серебряную) **38** от завершенного углового штуцера **30**.
- С помощью шестигранного ключа, выверните все винты крепления молдинга рукоятки **3**, **4** и отверните все четыре гайки **8** от рукоятки инструмента.
- Зажмите ствол **44** в тисках, предварительно надев на них мягкие губки во избежание повреждений.
- С помощью накидного гаечного ключа*, выверните заглушку ствола **46**, предварительно зафиксировав ствол **44** с помощью двустороннего гаечного ключа*.
- Извлеките цилиндр хвостовых губок **47** из инструмента.
- Снимите уплотнительное кольцо **14**, противоконтактную полосу **41** и возвратную пружину ствола **37**.
- Покройте лицевую сторону хвостовых губок **32** литиевой смазкой с молибденом, обеспечив контакт с корпусом хвостовых губок **42**, перед сборкой.

* См. позиции, включенные в комплект для технического обслуживания 0753 MkII. Полный список см. на стр. 228. Номера элементов, выделенные **жирным шрифтом**, относятся к общим схемам и перечням деталей на стр. 233–234.

- Соберите в порядке, обратном порядку разборки.

ГИДРАВЛИЧЕСКИЙ ПОРШЕНЬ

- Снимите цилиндр хвостовых губок **47**, как описано ранее.
- Зажмите корпус **45** в тисках, предварительно надев на них мягкие губки во избежание повреждений, после чего снимите ограничитель хода **40**.
- Выверните винт **5**, крепящий блок переключателя **54** стволу **44** шестигранным ключом*.
- Крепко возьмитесь за инструмент и извлеките ствол **44** из корпуса **45** (при этом из узла головки может выплеснуться немного гидравлического масла).
- Аккуратно снимите поршень **39**, чтобы не повредить внутренний канал головки.
- Снимите уплотнение **16**.
- Уплотнение **17** затруднительно снять, не повредив его, но можно оставить на месте на время чистки (при условии, что оно не будет затронуто процедурой чистки). Тем не менее, если уплотнение **17** требуется заменить, выполните следующие действия:
- С помощью шпателя*, извлеките уплотнение **17** из корпуса **45**, соблюдая осторожность, чтобы не повредить отверстия и каналы в корпусе. Извлеченное уплотнение **17** повторному использованию НЕ подлежит.
- Чтобы заменить уплотнение **17**, выверните узел воздуховыпускной пробки **43** так, чтобы его внутренняя сторона была на одном уровне со внутренним каналом корпуса **45**. Это обеспечит гладкий проход для установки нового уплотнения **17** через заднюю часть корпуса **45**.
- Убедитесь, что уплотнение **17** хорошо смазано и установлено в правильном направлении, открытым концом уплотнения по направлению к задним губкам.
- Выполните сборку в порядке, обратном порядку разборки.

УЗЕЛ ПУСКОВОГО ВЫКЛЮЧАТЕЛЯ

- Для разборки/обслуживания узла, снимите крышки с инструмента, как описано ранее.
- Отсоедините все пневматические шланги от узла, соблюдая осторожность, чтобы не повредить его. Снимите узел.
- С помощью гаечного ключа*, открутите зажимное приспособление **34** и снимите его. Удерживайте пружину на месте **31**.
- Снимите уплотнительное кольцо **10**, стараясь не повредить гнезда шпинделя **35** и зажимного приспособления **34**.
- Очистите и повторно соберите, используя новое уплотнительное кольцо **10**.
- Проверьте длину пружины **31**, которая должна составлять 12,7 мм (0,5 дюйма) в свободном состоянии — при необходимости, замените.
- Выполните сборку в порядке, обратном порядку разборки.

КЛАПАН ВКЛ./ВЫКЛ. ХВОСТОВЫХ ГУБОК

- Конструкция данного блока подразумевает минимум необходимого обслуживания на протяжении всего срока эксплуатации инструмента.
- При необходимости разобрать клапан, действуйте следующим образом:
- Снимите корпус пускового выключателя **56** согласно разделу «Гидравлический поршень».
- С помощью отвертки*, аккуратно извлеките хромированную зубчатую стопорную шайбу **18** из катушки пневматических хвостовых губок **55** и утилизируйте шайбу.
- Извлеките катушку пневматических хвостовых губок **55** из блока переключателя **54**.
- Действуя осторожно, чтобы не повредить катушку пневматических хвостовых губок **55**, снимите уплотнительные кольца **12**.

* См. позиции, включенные в комплект для технического обслуживания 0753 MkII. Полный список см. на стр. 228. Номера элементов, выделенные **жирным шрифтом**, относятся к общим схемам и перечням деталей на стр. 233–234.

- Очистите катушку и установите новые уплотнительные кольца **12** с помощью сборочного патрона и вставьте катушку в блок переключателя **54** в правильном направлении.
- Установите новую хромированную зубчатую стопорную шайбу **18**, зажав ее в тисках с мягкими губками во избежание повреждений. НЕ ПРИМЕНЯЙТЕ ИЗБЫТОЧНОЕ УСИЛИЕ.
- Выполните сборку в порядке, обратном порядку разборки.

РУКОЯТКА И ТОРЦЕВАЯ КРЫШКА

- Очистите и проверьте молдинги на предмет наличия трещин или других повреждений.

КУРСОР

- Периодически очищайте и смазывайте узел курсора небольшим количеством легкого масла.

ВАЖНО!

**Регулярно проверяйте инструмент в ходе ежедневного и еженедельного обслуживания.
После разборки инструмента ВСЕГДА выполняйте прокачку перед началом эксплуатации.**

* См. позиции, включенные в комплект для технического обслуживания 0753 MkII. Полный список см. на стр. 228. Номера элементов, выделенные **жирным шрифтом**, относятся к общим схемам и перечням деталей на стр. 233–234.

6.3 ПЕРЕЧЕНЬ ДЕТАЛЕЙ ОСНОВНОГО ИНСТРУМЕНТА 07536-02200

ПЕРЕЧЕНЬ ДЕТАЛЕЙ 07536-02200										
ПОЗИЦИЯ	НОМЕР ДЕТАЛИ	ОПИСАНИЕ	КОЛ-ВО ЧАСТИ	ПОЗИЦИЯ	НОМЕР ДЕТАЛИ	ОПИСАНИЕ	КОЛ-ВО ЧАСТИ	КОЛ-ВО ЧАСТИ	КОЛ-ВО ЧАСТИ	КОЛ-ВО ЧАСТИ
1	07007-00392	КАБЕЛЬНАЯ СТЯЖКА (НЕ ПОКАЗАНА)	1	34	07220-00803	ЗАЖИМНОЕ ПРИСПОСОБЛЕНИЕ	1	1	-	-
2	07001-00499	ДЛИННЫЙ УСТАНОВОЧНЫЙ ВИНТ М3x5	3	35	07241-00208	ШПИНДЕЛЬ	1	1	-	-
3	07001-00262	ДЛИННЫЙ ВИНТ С ВНУТРЕННИМ ШЕСТИГРАННИКОМ М4x22	1	36	07154-00404	ПРУЖИНА	1	1	-	-
4	07001-00401	ДЛИННЫЙ ВИНТ С ВНУТРЕННИМ ШЕСТИГРАННИКОМ М4x10	4	37	07490-03002	ВОЗВРАТНАЯ ПРУЖИНА СТВОЛА	1	1	-	-
5	07001-00404	ДЛИННЫЙ УСТАНОВОЧНЫЙ ВИНТ С ГОЛОВКОЙ ПОД КЛЮЧ М5x6	1	38	07536-02211	ПРОВОЛОЧНАЯ ТРУБКА ПНЕВМАТИЧЕСКОГО КУРСОРА 3 ММ СЕРЕБРЯНАЯ	1	1	-	-
6	07001-00504	ДЛИННЫЙ ВИНТ С ВНУТРЕННИМ ШЕСТИГРАННИКОМ М4x6	2	39	07536-00203	ПОРШЕНЬ	1	1	-	-
7				40	07530-00204	ОГРАНИЧИТЕЛЬ ХОДА	1	1	-	-
8	07002-00134	ШЕСТИГРАННАЯ ГАЙКА М4	4	41	07530-00206	ПРОТИВОКОНТАКТНАЯ ПОЛОСА	1	1	1	1
9	07002-00153	ШАЙБА М4 [ПЛАСТМАССОВАЯ]	2	42	07536-00208	КОРПУС ГУБОК	1	1	-	-
10	07003-00022	УПЛОТНИТЕЛЬНОЕ КОЛЬЦО	1	43	07530-00500	УЗЕЛ ПРОБКИ ДЛЯ УДАЛЕНИЯ ВОЗДУХА [ПОЗ. 62-65] ●	1	1	-	-
11	07003-00113	УПЛОТНИТЕЛЬНОЕ КОЛЬЦО	3	44	07536-02201	СТВОЛ	1	1	-	-
12	07003-00121	УПЛОТНИТЕЛЬНОЕ КОЛЬЦО	3	45	07530-02202	КОРПУС	1	1	-	-
13	07003-00142	ЦЕЛЬНОЕ УПЛОТНЕНИЕ BSP 1/8 ДЮЙМА	1	46	07530-02205	ЗАГЛУШКА СТВОЛА	1	1	-	-
14	07003-00167	УПЛОТНИТЕЛЬНОЕ КОЛЬЦО	1	47	07536-02207	ЦИЛИНДР ХВОСТОВЫХ ГУБОК	1	1	-	-
15	07003-00386	УПЛОТНИТЕЛЬНОЕ КОЛЬЦО	2	48	07530-02210	ЭТИКЕТКА	2	2	-	-
16	07003-00236	УПЛОТНЕНИЕ [ДИНАМИЧЕСКОЕ]	1	49	07536-02212	ПРОВОЛОЧНАЯ ТРУБКА ПНЕВМАТИЧЕСКОГО КУРСОРА 4 ММ ЗЕЛЕНАЯ	1	1	-	-
17	07003-00237	УПЛОТНЕНИЕ [ФИКСИРОВАННОЕ]	1	50	07536-02213	ЗАДНЯЯ ПРОБКА	1	1	-	-
18	07004-00058	ЗУБЧАТАЯ СТОПОРНАЯ ШАЙБА 1/8 ДЮЙМА, ХРОМИРОВАННАЯ	1	51	07530-00310	ПРОБКА-ЗАГЛУШКА	2	2	-	-
19	07004-00059	ЗУБЧАТАЯ СТОПОРНАЯ ШАЙБА 1/8 ДЮЙМА, ЧЕРНАЯ	1	52	07536-02214	ОГРАНИЧИТЕЛЬ	1	1	-	-
20	07005-10073	РАЗЪЕМ 3 ММ	1	53	07530-02220	ЗАЖИМ	1	1	-	-
21	07005-01357	РАЗЪЕМ МАНЖЕТНОГО ТИПА	1	54	07530-02301	БЛОК ПЕРЕКЛЮЧАТЕЛЯ	1	1	-	-
22	07005-01571	КОЛЕНЧАТЫЙ РАЗЪЕМ	3	55	07530-02302	КАТУШКА ПНЕВМАТИЧЕСКИХ ХВОСТОВЫХ ГУБОК	1	1	-	-
23	07536-02216	СТОПОРНАЯ ГАЙКА	1	56	07530-02311	КОРПУС ПУСКОВОГО МЕХАНИЗМА	1	1	-	-
24	07005-10074	РАЗЪЕМ 2 ММ	1	57	07536-02601	УЗЕЛ МОЛДИНГА РУКОЯТКИ ПОД ПРАВУЮ РУКУ	1	1	-	-
25	07007-00017	ПЫЛЕЗАЩИТНЫЙ КОЛПАК	1	58	07536-02602	УЗЕЛ МОЛДИНГА РУКОЯТКИ ПОД ЛЕВУЮ РУКУ	1	1	-	-
26	07007-00300	ПУСКОВАЯ КНОПКА	1	59	07530-02603	ТОРЦЕВАЯ КРЫШКА	1	1	-	-
27	73200-02022	ПРЕДУПРЕДИТЕЛЬНАЯ ЭТИКЕТКА	1	60	07536-02800	УЗЕЛ ПОРШНЯ ХВОСТОВЫХ ГУБОК	1	1	-	-
28	07007-01504	НАКЛЕЙКА С МАРКИРОВКОЙ SE	1	61	07536-02215	ПЕРЕХОДНИК ФИТИНГА	1	1	-	-
29	07008-00438	УЗЕЛ ГИБКОГО ШЛАНГА	1	62	07003-00142	● ЦЕЛЬНОЕ УПЛОТНЕНИЕ (НЕ ПОКАЗАНО)	1	1	1	1
30	07005-01323	ЗАЕРШЕННЫЙ УГЛОВОЙ ШТУЦЕР М3	1	63	07003-00194	● ЦЕЛЬНОЕ УПЛОТНЕНИЕ (НЕ ПОКАЗАНО)	1	1	1	1
31	07125-00215	ПРУЖИНА	1	64	07001-00442	● ВИНТ (НЕ ПОКАЗАН)	1	1	1	1
32	07151-00403	ХВОСТОВЫЕ ГУБКИ	1 пара	65	07530-00501	● ПРОБКА (НЕ ПОКАЗАНА)	1	1	-	-
33	07003-00016	УПЛОТНИТЕЛЬНОЕ КОЛЬЦО	1							

6.4 ИНСТРУКЦИИ ПО РАЗБОРКЕ

- При разборке узла усилителя, сначала отсоедините шланг подачи воздуха к разъему впуска усилителя **22**.
- С помощью шестигранного ключа* выверните четыре винта **27** и снимите защитную панель **24**.
- Отсоедините шланг пускового выключателя **47** от клапана усилителя **43** или **48**, нажав на внешнюю манжету и вытянув шланг.
- Снимите крышку **4** и прокладку **35**, вывернув винты **37** и шайбы **36** с помощью шестигранного ключа*.
- Убедитесь, что прокладка не повреждена и обеспечивает надлежащее уплотнение.
- Переверните узел усилителя и слейте масло из бака в подходящий контейнер.
- С помощью подходящего гаечного ключа* снимите быстроразъемное соединение **32** вместе с разъемом **31** и уплотнениями **33**.
- Снимите клапан усилителя **43** или **48**, вывернув винты крепления подходящим гаечным ключом, и сохраните установленное в корпусе усилителя уплотнительное кольцо **21**.
- С помощью подходящего шестигранного ключа* выверните винт **19** и снимите крышку глушителя **16**, поролоновый глушитель **15**, промежуточное кольцо **18** и прижимную планку **20**.
- Снимите пластиковую трубу 6 мм **41** с вакуумных разъемов **42**.
- Вставьте шестигранный ключ 3 мм* в два отверстия на основании усилителя и выверните вакуумные разъемы **42**.
Примечание.
 - Соблюдайте осторожность, так как вакуумные разъемы закреплены с помощью Loctite® 574.
 - Если извлечение затруднено, вакуумные разъемы можно высверлить с помощью перфоратора со сверлом диаметром $\frac{3}{16}$ дюйма или 4,7 мм.
- Для сборки вакуумных разъемов **42** необходимо выполнить следующую процедуру. -
 - Погрузите вакуумные разъемы в подходящую грунтовку, например Perma Bond A905
 - Нанесите каплю Loctite® 574 в резьбовое отверстие усилителя.
 - Вставьте шестигранный ключ* в отверстие на основании усилителя. Убедитесь, что на шестигранном ключе* нет Loctite® 574 перед тем, как вставить его в вакуумный разъем.
 - Поворачивайте шестигранный ключ, одновременно нанося Loctite® 574 на основание вакуумного разъема.
 - Наверните вакуумный разъем на усилитель, убедившись, что на основание фитинга нанесено достаточно Loctite® 574, чтобы резьба не была видна.
- С помощью отвертки аккуратно снимите внутреннее стопорное кольцо **14**. Очистите и проверьте канавку на предмет повреждений.
- С помощью экстрактора* вставьте конец с наружной резьбой в торцевую крышку **12** и вытащите ее вместе со втулкой **28** и уплотнительными кольцами **10** и **13**.
- Вставьте шток* в отверстие разъема на передней стороне корпуса усилителя и вытолкните шток поршня **9** и узел поршня.
- С помощью подходящего шестигранного ключа* выверните два винта **25** и снимите торцевую крышку **12** со втулки усилителя **28**.
- Снимите уплотняющую пробку **7** с помощью гаечного ключа*.
- Вставьте шток* в отверстие разъема на передней стороне корпуса усилителя и вытолкните корпус уплотнения **5** и связанные с ним уплотнительные кольца и манжетные уплотнения.
- С помощью подходящего гаечного ключа* снимите узел корпуса клапана **34** с основного корпуса. Очистите узел, продувая потоком воздуха с низким давлением.
- Снимите шток поршня **9** с пневматического поршня **11** усилителя, захватив первые 20 мм (3/4 дюйма) штока в тиски с мягкими губками, соблюдая осторожность, чтобы не повредить рабочую поверхность.
- С помощью подходящего гаечного ключа* выверните стопорную гайку **17**.
- Соберите в порядке, обратном порядку разборки, соблюдая все нижеприведенные условия.

* См. позиции, включенные в комплект для технического обслуживания 0753 MkII. Полный список см. на стр. 228. Номера элементов, выделенные **жирным шрифтом**, относятся к рисунку и перечню деталей на странице напротив.

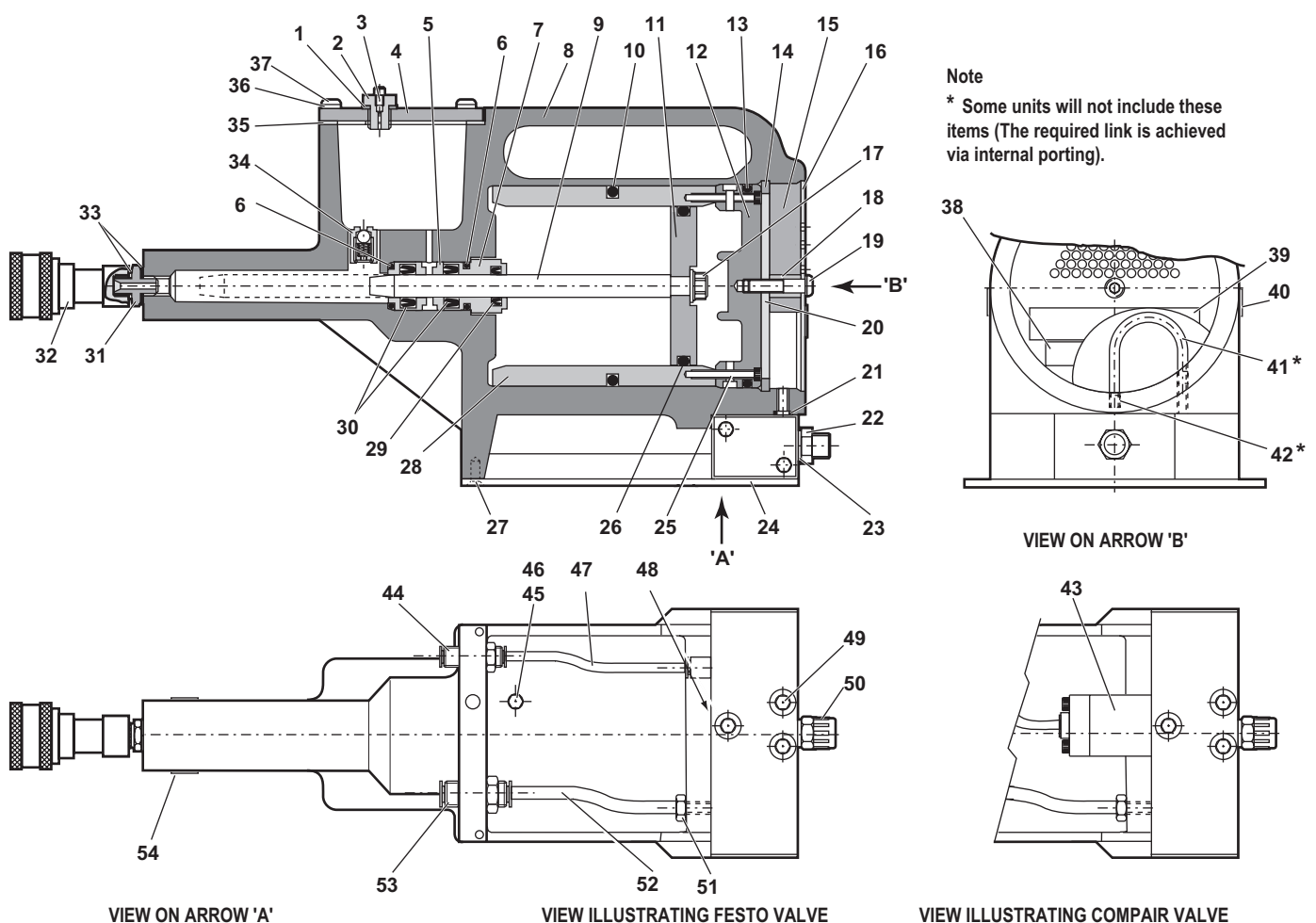
- Очистите все детали и обновите все уплотнительные кольца.
- Смажьте все уплотнения литиевой смазкой с молибденом.
- Узел корпуса клапана **34** должен быть установлен обратно с использованием герметика для резьбовых соединений.
- Установите узел поршня, используя новую гайку **17**.
- Торцевая крышка **12** должна быть правильно установлена в стопорном кольце **14**. Запрещается эксплуатировать инструмент без установленной торцевой крышки.

ВАЖНО!
После разборки инструмента **ВСЕГДА** выполняйте прокачку перед началом эксплуатации.

6.5 ЗАЩИТА ОКРУЖАЮЩЕЙ СРЕДЫ

Обеспечьте соблюдение применимого законодательства по утилизации. Утилизируйте все отходы на соответствующих предприятиях или площадках, чтобы не подвергать персонал и окружающую среду опасности.

6.6 УСИЛИТЕЛЬ 07531-02200



* См. позиции, включенные в комплект для технического обслуживания 0753 MkII. Полный список см. на стр. 228. Номера элементов, выделенные **жирным шрифтом**, относятся к рисунку и перечню деталей на странице напротив.

ПЕРЕЧЕНЬ ДЕТАЛЕЙ 07531-02200									
ПОЗИЦИЯ	НОМЕР ДЕТАЛИ	ОПИСАНИЕ	КОЛ-ВО	ЗАПАСНЫЕ ЧАСТИ	ПОЗИЦИЯ	НОМЕР ДЕТАЛИ	ОПИСАНИЕ	КОЛ-ВО	ЗАПАСНЫЕ ЧАСТИ
1	07003-00037	УПЛОТНЕНИЕ	1	1	28	07531-00201	МУФТА	1	-
2	07240-00211	ПРОБКА С РЕЗЬБОЙ	1	-	29	07003-00337	МАНЖЕТНОЕ УПЛОТНЕНИЕ	1	1
3	07001-00418	ВОЗДУХОВЫПУСКНОЙ ВИНТ	1	1	30	07003-00336	МАНЖЕТНОЕ УПЛОТНЕНИЕ	2	2
4	07240-00210	КРЫШКА	1	-	31	07005-00406	РАЗЪЕМ	1	-
5	71420-02006	УПЛОТНЕНИЕ КОРПУСА	1	-	32	07005-00759	БЫСТРОСЪЕМНЫЙ РАЗЪЕМ	1	-
6	07003-00153	УПЛОТНИТЕЛЬНОЕ КОЛЬЦО	2	-	33	07003-00142	УПЛОТНЕНИЕ	2	1
7	71420-02007	УПЛОТНЯЮЩАЯ ПРОБКА	1	-	34	07240-00400	УЗЕЛ КОРПУСА КЛАПАНА	1	-
8	71420-02300	УЗЕЛ КОРПУСА	1	-	35	07240-00209	ПРОКЛАДКА	1	1
9	71420-02008	ШТОК ПОРШНЯ	1	-	36	07002-00073	ШАЙБА	4	1
10	07003-00182	УПЛОТНИТЕЛЬНОЕ КОЛЬЦО	1	1	37	07001-00554	ВИНТ	4	1
11	07531-00202	ПНЕВМАТИЧЕСКИЙ ПОРШЕНЬ	1	-	38	07007-01504	ЭТИКЕТКА	1	-
12	07531-00204	ТОРЦЕВАЯ КРЫШКА	1	-	39	07240-00217	ЭТИКЕТКА	1	-
13	07003-00183	УПЛОТНИТЕЛЬНОЕ КОЛЬЦО	1	1	40	07531-00205	ЭТИКЕТКА	2	-
14	07004-00069	СТОПОРНОЕ КОЛЬЦО	1	1	41	07005-00596	* ПЛАСТИКОВАЯ ТРУБА 6 мм	-	-
15	07240-00213	ПОРОЛОНОВЫЙ ГЛУШИТЕЛЬ	1	1	42	07245-00103	* ВАКУУМНЫЙ РАЗЪЕМ	2	-
16	07240-00214	КРЫШКА ГЛУШИТЕЛЯ	1	-	43	07005-00590	КЛАПАН СОМРАЙР	1	1
17	07002-00017	ГАЙКА	1	1	44	07005-01431	ПЕРЕБОРОЧНЫЙ РАЗЪЕМ	1	1
18	07240-00215	ПРОМЕЖУТОЧНОЕ КОЛЬЦО	1	-	45	07005-00668	ПРОБКА М5	1	-
19	07001-00417	ВИНТ	1	1	46	07005-00670	УПЛОТНЯЮЩЕЕ КОЛЬЦО М5	1	-
20	07240-00216	ПРИЖИМНАЯ ПЛАНКА	1	-	47	07005-01084	ПЛАСТИКОВАЯ ТРУБА 4 мм (150 мм)	-	-
21	*07003-00042	УПЛОТНИТЕЛЬНОЕ КОЛЬЦО	1	1	48	07005-01524	КЛАПАН FESTO	1	-
22	07005-00041	РАЗЪЕМ	1	-	49	07001-00176	ВИНТ	3	-
23	07003-00065	ШАЙБА	1	-	50	07007-00292	REDCAP BSP 1/4 дюйма	1	-
24	07240-00220	ЗАЩИТНАЯ ПЛАСТИНА	1	-	51	07005-00647	РАЗЪЕМ	1	-
25	07001-00375	ВИНТ	2	-	52	07005-01085	ПЛАСТИКОВАЯ ТРУБА 6 мм (150 мм)	-	-
26	07003-00238	УПЛОТНИТЕЛЬНОЕ КОЛЬЦО	1	1	53	07005-00855	ПЕРЕХОДНОЙ ПАТРУБОК	1	-
27	07001-00396	ВИНТ	4	-	54	73200-02022	ПРЕДУПРЕДИТЕЛЬНАЯ ЭТИКЕТКА	1	-

7. ПРОКАЧКА

После разборки инструмента ВСЕГДА выполняйте прокачку перед началом эксплуатации. Также может потребоваться восстановление полного хода, так как при значительном использовании ход может снизиться, что приведет к неполной установке крепежных элементов при одном нажатии выключателя.

7.1 ПОДРОБНАЯ ИНФОРМАЦИЯ О МАСЛЕ

Для прокачки насоса перед запуском рекомендуется масло Huspin® VG32 и AWS 32, доступное в емкостях объемом 0,5 л (номер детали 07992-00002) или один галлон (номер 07992-00006). Данные по безопасности см. ниже.

7.2 ДАННЫЕ ПО БЕЗОПАСНОСТИ МАСЛА HUSPIN® VG32 И AWS 32

Первая помощь

КОЖА

Тщательно промойте водой с мылом как можно быстрее. При случайном контакте срочные меры не требуются. При кратковременном контакте срочные меры не требуются.

ПОПАДАНИЕ ВНУТРЬ

Немедленно обратитесь за медицинской помощью. НЕ ВЫЗЫВАЙТЕ рвоту.

ГЛАЗА

Немедленно промойте водой в течение нескольких минут. Несмотря на то, что масло НЕ ЯВЛЯЕТСЯ первичным раздражителем, после контакта возможно незначительное раздражение.

Возгорание

Подходящие средства пожаротушения: CO₂, сухой порошок, пена или водяной туман. НЕ используйте водяную струю.

Окружающая среда

УТИЛИЗАЦИЯ ОТХОДОВ Посредством авторизованного подрядчика на лицензированном участке. Допускается сжигание. Отработавшее изделие следует отправить на утилизацию.

УТЕЧКА Не допускайте попадания в стоки, канализацию или водотоки. Соберите с помощью абсорбирующего материала.

Обращение

Используйте защитные очки, защитные перчатки (например, перчатки из ПВХ) и пластиковый фартук. Работайте в хорошо проветриваемом месте.

Хранение

Никаких особых мер предосторожности не требуется.

7.3 ПРОЦЕДУРА ПРОКАЧКИ

ВАЖНО!

ЗАПРЕЩАЕТСЯ НАЖИМАТЬ НА ПУСКОВОЙ ВЫКЛЮЧАТЕЛЬ, ПОКА ВОЗДУХОВЫПУСКНОЙ ВИНТ СНЯТ

Проводите все работы в чистой среде, следя за соблюдением чистоты.

Убедитесь, что новое масло чистое и в нем нет воздушных пузырей.

ВСЕГДА соблюдайте осторожность, чтобы не допустить попадания посторонних веществ в инструмент. В противном случае возможно серьезное повреждение инструмента.

- Выверните винт **2** и уплотнение **1** из пластмассовой крышки **4** на бачке усилителя.
- Заливайте масло для прокачки в бачок до тех пор, пока оно не достигнет уровня в примерно 1/2 дюйма (12 мм) от верхушки.
- Установите винт **2** и уплотнение **1** на место.
- Подключите блок усилителя к источнику воздуха. Извлеките пробку из резервуара.
- Установив пистолетный блок 07536 в блок усилителя и держа его ниже уровня блока усилителя, выкрутите воздуховыпускной винт **64** из узла воздуховыпускной пробки **43** на инструменте 07536 на два оборота и дайте маслу вытечь из инструмента.
- Когда масло начнет течь свободно и без пузырей воздуха, затяните воздуховыпускной винт.
- Долейте масло для прокачки в бачок блока усилителя.
- Выполняйте рабочий цикл инструмента до тех пор, пока все пузыри воздуха в масле не выйдут в маслобак.

Номера элементов, выделенные **жирным шрифтом**, относятся к общим схемам и перечням деталей на стр. 233-236.

8. ДИАГНОСТИКА НЕИСПРАВНОСТЕЙ

НЕИСПРАВНОСТЬ	ВОЗМОЖНАЯ ПРИЧИНА	СПОСОБ УСТРАНЕНИЯ	ССЫЛКА НА СТР.
Инструмент не ставит заклепку	Низкое давление воздуха.	Увеличьте давление воздуха	
	Недостаток смазки.	Смажьте инструмент в точке входного воздушного патрубка	
	Высокая нагрузка на протяжку. Проверьте правильность размера сердечника.	Проверьте захват заклепки и размер отверстия	
	Хвостовые губки выключены.	Включите хвостовые губки	
	Воздух в гидравлической системе.	См. «Процедура прокачки»	238
«Проскальзывание сердечника» — губки не захватывают сердечник	Изнюшенные или грязные хвостовые губки.	Очистите или замените по мере необходимости	
	'Недостаточное давление/объем воздуха.	Увеличьте давление/объем воздуха	
	'Переключатель хвостовых губок не функционирует.	Замените переключатель	
	'Утечка воздуха в хвостовых губках.	Замените уплотнительные кольца поршня 11	
	Сердечник сломан и не достает до хвостовых губок.	Замените сердечник	
Неисправность в пневматическом блоке управления.	Обратитесь в Stanley Engineered Fastening		
Губки не отпускают сердечник	Грязные хвостовые губки или корпус губок.	Очистите и смажьте	
	Неисправность переключателя хвостовых губок.	Замените уплотнительные кольца	
	Сигнал застрявшего воздуха	Проверьте пневмолинии	
	Неисправность в пневматическом блоке управления	Обратитесь в Stanley Engineered Fastening	
Крепежные элементы не проходят сквозь носовые губки	Хвостовые губки не включены.	Включите хвостовые губки	
	Изнюшенные хвостовые губки.	Замените хвостовые губки	
	Неправильная ориентация курсора.	Установите курсор заново в правильном направлении	
	Неправильный курсор	Установите правильный курсор	
	Неправильные носовые губки.	Установите правильные носовые губки	
	Пружина-толкатель сердечника не установлена.	Установите правильную пружину-толкатель	
	Длина толкателя сердечника	Установите правильный толкатель сердечника	
	Неправильный зазор между головкой крепежного элемента и загруженными носовыми губками.	Установите зазор в 1,5–3 мм (1/16–1/8 дюйма) См. «Зарядка инструмента»	225-226
	Залипание курсора.	Очистите курсор и нанесите на него смазку	
	изношенный пневматический курсор	Замените курсор	
	Установлена неправильная пружина-толкатель сердечника.	Установите правильную пружину-толкатель	
Изношенная или сломанная возвратная пружина ствола	Замените возвратную пружину ствола		
Чрезмерный износ хвостовой губки	Высокая нагрузка на протяжку.	Проверьте размер и толщину отверстий и способность захвата заклепки	
Подача более чем одной заклепки за раз	Проскальзывание сердечника.	См. «Проскальзывание сердечника», этап 2	
	Неправильный зазор между головкой крепежного элемента и загруженными носовыми губками	Установите зазор в 1,5–3 мм (1/16–1/8 дюйма) См. «Зарядка инструмента» на стр.	225-226

О других неисправностях следует сообщить местному авторизованному продавцу Stanley Engineered Fastening или в сервисный центр.

ПРИМЕЧАНИЯ

9. ЗАЯВЛЕНИЕ О СООТВЕТСТВИИ НОРМАМ ЕС

Мы, **Stanley Engineered Fastening, Stanley House, Works Road, Letchworth Garden City, Hertfordshire, SG6 1JY СОЕДИНЕННОЕ КОРОЛЕВСТВО**, принимаем на себя полную ответственность за то что продукт:

Описание: Гидропневматический автоматический инструмент для заклепок скоростной установки

Модель: 07536

на который распространяется данная декларация, соответствует следующим согласованным стандартам:

ISO 12100:2010	EN ISO 3744:2010
EN ISO 11202:2010	EN ISO 11148-1:2011
EN ISO 4413:2010	BS EN 28662-1:1993
EN ISO 4414:2010	EN ISO 20643:2008+A1:2012
EN ISO 28927-5:2009+A1:2015	ES100118-ред. 17:2017

Техническая документация составлена в соответствии с Приложением VII, в соответствии с директивой: **2006/42/ЕС Директива о безопасности машин и оборудования** (нормативный акт от 2008 г. № 1597 — Правила (безопасности электропитания машин).

Нижеподписавшийся делает настоящее заявление от имени компании STANLEY Engineered Fastening



A. K. Seewraj

Директор инженерного отдела, Соединенное Королевство

Avdel UK Limited, Stanley House, Works Road, Letchworth Garden City, Hertfordshire, SG6 1JY СОЕДИНЕННОЕ КОРОЛЕВСТВО

Место выпуска: Letchworth Garden City, Соединенное Королевство

Дата выпуска: 01-01-2021

Нижеподписавшееся лицо несет ответственность за составление технической документации для продукции, распространяемой в Европейском союзе и составил данную декларацию по поручению компании Stanley Engineered Fastening.

Matthias Appel

Руководитель рабочей группы по технологической документации

Stanley Engineered Fastening, Tucker GmbH, Max-Eyth-Str.1, 35394 Gießen, Германия



Данное устройство соответствует
Директива ЕС по машинам, механизмам и машинному
оборудованию 2006/42/ЕС

10. ЗАЯВЛЕНИЕ О СООТВЕТСТВИИ НОРМАМ СОЕДИНЕННОГО КОРОЛЕВСТВА

Мы, **Stanley Engineered Fastening, Stanley House, Works Road, Letchworth Garden City, Hertfordshire, SG6 1JY СОЕДИНЕННОЕ КОРОЛЕВСТВО**, принимаем на себя полную ответственность за то что продукт:

Описание: Гидропневматический автоматический инструмент для заклепок скоростной установки

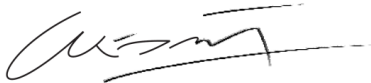
Модель: 07536

на который распространяется данная декларация, соответствует следующим стандартам:

ISO 12100:2010	EN ISO 3744:2010
EN ISO 11202:2010	EN ISO 11148-1:2011
EN ISO 4413:2010	BS EN 28662-1:1993
EN ISO 4414:2010	EN ISO 20643:2008+A1:2012
EN ISO 28927-5:2009+A1:2015	ES100118-ред. 17:2017

Технологическая документация составлена в соответствии с Правилами (безопасности) электропитания машин от 2008 г., нормативно-правовой акт 2008/1597 (с поправками).

Нижеподписавшийся делает настоящее заявление от имени компании STANLEY Engineered Fastening



A. K. Seewraj

Директор инженерного отдела, Соединенное Королевство

Avdel UK Limited, Stanley House, Works Road, Letchworth Garden City, Hertfordshire, SG6 1JY СОЕДИНЕННОЕ КОРОЛЕВСТВО

Место выпуска: Letchworth Garden City, Соединенное Королевство

Дата выпуска: 01-01-2021



Данное устройство соответствует
Правилам (безопасности) электропитания машин от
2008 г.,
нормативно-правовой акт 2008/1597 (с поправками)

11. ЗАЩИТИТЕ СВОИ ВЛОЖЕНИЯ!

ГАРАНТИЯ НА ЗАКЛЕПОЧНИК ДЛЯ ПОТАЙНЫХ ЗАКЛЕПОК Stanley® Engineered Fastening

STANLEY® Engineered Fastening гарантирует, что все электроинструменты изготовлены с полной ответственностью и не содержат дефектов материалов и производства при нормальном использовании на протяжении одного (1) года.

Данная гарантия применима только к первой покупке для начального использования.

Исключения:

Нормальный износ.

Гарантия не включает периодическое техническое обслуживание, ремонт и замену частей вследствие износа.

Небрежное и неправильное обращение.

Дефекты и повреждения, ставшие причиной неправильной эксплуатации, хранения, небрежного и неправильного обращения, несчастных случаев и пренебрежения положениями, не покрываются гарантией.

Не авторизованное техническое обслуживание или модификации.

Данная гарантия не распространяется на дефекты и повреждения, ставшие причиной обслуживания, регулировки, установки, обслуживания, и модификаций любыми лицами, кроме представителей STANLEY® Engineered Fastening, или ее официальных центров обслуживания.

Все остальные гарантии, явные или подразумеваемые, включая любые гарантии товарности или пригодности для конкретной цели, настоящим исключаются.

Если данный инструмент не соответствует гарантии, немедленно верните инструмент в ближайший авторизованный сервисный центр. Чтобы получить список авторизованных сервисных центров компании STANLEY® Engineered Fastening в США и Канаде, свяжитесь с нами по бесплатному номеру (877) 364 2781.

Для пользователей вне США и Канады существует сайт **www.StanleyEngineeredFastening.com**, на котором приведены адреса мест деятельности компании STANLEY Engineered Fastening.

Компания STANLEY Engineered Fastening обязуется бесплатно заменять любые компоненты устройства, имеющие дефект в результате использования несоответствующих материалов или работы низкого качества, и вернуть инструмент пользователю. Это является нашим единственным обязательством в рамках настоящей гарантии. Компания STANLEY Engineered Fastening не несет ответственности за любые убытки и ущерб в результате приобретения или использования данного инструмента.

Зарегистрируйте свой заклепочник для потайных заклепок в Интернете.

Для регистрации гарантии в Интернете, перейдите по адресу <https://www.stanleyengineeredfastening.com/support/warranty-registration-form>

Благодарим за выбор инструмента марки Stanley Assembly Technologies от STANLEY® Engineered Fastening.

حقوق الطبع والنشر © لعام 2021 محفوظة لشركة Stanley Black & Decker, Inc. جميع الحقوق محفوظة.

يحظر إعادة إنتاج المعلومات المقدّمة و/أو الإعلان عنها بأي طريقة ومن خلال أي وسيلة (إلكترونيًا أو ميكانيكيًا) دون إذن كتابي صريح مسبق من شركة STANLEY Engineered Fastening. وتستند المعلومات المقدّمة إلى المواصفات المعروفة في لحظة إنتاج هذا المنتج. وتتبع شركة STANLEY Engineered Fastening سياسة التحسين المستمر للمنتجات، ولذلك قد تخضع المنتجات للتغيير. والمعلومات المقدّمة تنطبق على المنتج طالما أنه تم تسليمه من قبل شركة STANLEY Engineered Fastening. ولذلك، لا يمكن مساءلة شركة STANLEY Engineered Fastening عن أي ضرر ناتج من الانحرافات عن المواصفات الأصلية للمنتج.

لقد تم تجميع المعلومات المتوفرة بأقصى قدر من العناية. ولن تقبل شركة STANLEY Engineered Fastening تحمل أي مسؤولية عن أي أخطاء في المعلومات أو عما يترتب عليها. كما لن تقبل الشركة تحمل أي مسؤولية عن أي ضرر ناتج عن أنشطة قامت بها أطراف أخرى. يجب ألا يتم اعتبار أسماء العمل والأسماء التجارية والعلامات التجارية المسجلة، وغيرها مما استخدمته شركة STANLEY Engineered Fastening، على أنها أسماء وعلامات مجانية، وذلك بموجب التشريع المتعلق بحماية العلامات التجارية.

246	تعريفات السلامة	1
246	1.1 قواعد السلامة العامة	
246	1.2 مخاطر المقذوفات	
246	1.3 مخاطر التشغيل	
247	1.4 مخاطر الحركات المتكررة	
247	1.5 مخاطر الملحقات	
247	1.6 مخاطر مكان العمل	
247	1.7 مخاطر الضوضاء	
247	1.8 مخاطر الاهتزاز	
247	1.9 تعليمات إضافية للسلامة للأداة الهوائية والهيدروليكية	
249	المواصفات	2
249	2.1 مواصفات الأداة 07536	
249	2.2 مواصفات المكثف 07531	
250	الغرض من الاستخدام	3
250	3.1 أبعاد الأداة - الطراز 07536	
251	التشغيل	4
251	4.1 إمداد الهواء	
252	4.2 مؤشرات الهواء	
252	4.3 تحميل الأداة وإعادة تحميلها	
254	4.4 إجراء التشغيل	
255	صيانة الأداة	5
255	5.1 صندوق التحكم الهوائي	
255	5.2 الإجراءات اليومية	
255	5.3 الإجراءات الأسبوعية	
255	5.4 بيانات السلامة لشحم MOLY LITHIUM GREASE EP 3753	
256	5.5 مجموعة الصيانة	
257	5.6 أداة مؤشر الهواء والمكثف ومجموعة صندوق التحكم 07536-02100	
258	الصيانة	6
258	6.1 تفكيك الأداة 07536-02200	
260	6.2 التجميع العام للأداة الأساسية طراز 07536-02200	
261	6.3 قائمة الأجزاء للأداة الأساسية طراز 07536-02200	
262	6.4 تعليمات التفكيك	
263	6.5 حماية البيئة	
263	6.6 تفكيك الأداة 07531-02200	
265	التجهيز	7
265	7.1 تفاصيل الزيت	
265	7.2 بيانات سلامة زيت HYSPI® VG32 وAWS 32	
265	7.3 إجراء التجهيز	
266	تشخيص الأخطاء	8
268	بيان المطابقة لتعليمات المجموعة الأوروبية (EC)	9
269	إعلان توافق المملكة المتحدة	10
270	احم استثمارك!	11

يجب قراءة دليل التعليمات من قبل أي شخص يقوم بتركيب هذه الأداة أو تشغيلها مع إيلاء اهتمام خاص بقواعد السلامة التالية.



قم دائماً بارتداء أدوات مقاومة للصدمات لحماية العين أثناء تشغيل الأداة. ويجب أن يتم تقييم مستوى الحماية المطلوبة لكل حالة استخدام على حدة.



استخدم وسائل حماية السمع وفقاً لتعليمات صاحب العمل وحسب الضرورة بموجب لوائح الصحة المهنية ولوائح السلامة المتبعة.



يمكن أن يؤدي استخدام الأداة إلى تعريض يدي المشغل للمخاطر، بما في ذلك السحق والتصادم والقطع والكشط والحرارة. ارتد قفازات مناسبة لحماية اليدين.



1. تعريفات السلامة

توضح التعريفات التالية مستوى حدة كل كلمة من كلمات الإشارة. يُرجى قراءة الدليل والانتباه إلى هذه الرموز.

⚠️ خطر: يشير إلى موقف خطير وشيك الحدوث وسيؤدي إلى الوفاة أو إصابة خطيرة ما لم يتم تجنبه.

⚠️ تحذير: يشير إلى موقف خطير محتمل قد يؤدي إلى الوفاة أو إصابة خطيرة ما لم يتم تجنبه.

⚠️ تنبيه: يشير إلى موقف محتمل خطير قد يؤدي إلى إصابة صغيرة أو متوسطة ما لم يتم تجنبه.

⚠️ تنبيه: مُستخدم دون رمز تنبيه السلامة للإشارة إلى موقف محتمل خطير قد يلحق ضرراً بالملكات، إذا لم يتم تجنبه.

قد يؤدي التشغيل أو الصيانة غير السليمة لهذا المنتج إلى إصابة خطيرة وتضرر الممتلكات. اقرأ واستوعب جميع التحذيرات والتعليمات التشغيل قبل استخدام هذه المعدة. وعند استخدام الأدوات الكهربائية، يجب دائماً اتباع احتياطات السلامة الأساسية للحد من خطر وقوع الإصابة الشخصية.

قم بحفظ جميع التحذيرات والتعليمات للرجوع إليها في المستقبل

1.1 قواعد السلامة العامة

- بسبب المخاطر المتعددة، قم بقراءة تعليمات السلامة وفهمها قبل تركيب الملحقات أو تشغيلها أو إصلاحها أو صيانتها أو تغييرها، أو قبل العمل بالقرب من الأداة. يمكن أن يؤدي عدم عمل ذلك إلى التعرض لخطر بدني خطير.
- يجب ألا يقوم إلا المشغلين المؤهلين والمدربين بتركيب الأداة أو ضبطها أو استخدامها.
- لا تستخدم هذه المعدة لأغراض بخلاف الأغراض التي تم تصميمها من أجلها، والمتمثلة في تركيب براشيم STANLEY Engineered Fastening القابلة للقص.
- لا تستخدم سوى الأجزاء وأدوات التثبيت والملحقات الموصى بها من قبل الشركة المصنعة.
- لا تقم بإجراء أي تعديلات على الأداة. يمكن أن تقلل التعديلات التي يتم إجراؤها من فاعلية إجراءات السلامة، كما يمكن أن تزيد من المخاطر التي يكون المشغل معرضاً لها. ويتحمل العميل المسؤولية الكاملة عن أي تعديل يقوم به، كما أن تلك التعديلات تؤدي إلى إبطال أي ضمانات سارية.
- لا تتخلص من تعليمات السلامة؛ قم بإعطائها إلى المشغل.
- لا تستخدم الأداة إذا كانت تالفة.
- قبل الاستخدام، قم بالفحص لاستكشاف أي حالات عدم محاذاة أو انثناء الأجزاء المتحركة، وانكسار الأجزاء، وأي حالة أخرى تؤثر على تشغيل الأداة. وفي حالة تعطل الأداة، فاعمل على صيانتها قبل الاستخدام. قم بإزالة أي مفتاح ضبط أو ربط قبل الاستخدام.
- يتم فحص الأدوات بشكل دوري للتحقق من تمييز التصنيفات والعلامات التي تكون ضرورية بموجب هذا الجزء من معيار ISO 11148 بشكل واضح على الأداة. يتصل صاحب العمل / المستخدم الجهة المصنعة من أجل الحصول على ملصقات التمييز البديلة متى كان ذلك ضرورياً.
- يجب صيانة الأداة في حالة عمل آمنة في جميع الأوقات وفحصها على فترات منتظمة بحثاً عن التلف والتحقق من عملها بالشكل المطلوب من قبل أفراد مدربين. وعدم إجراء أي تفكيك إلا من قبل أفراد مدربين. لا تقم بتفكيك هذه الأداة دون الرجوع المسبق إلى تعليمات الصيانة.

1.2 مخاطر المقذوفات

- فصل هذه الأداة عن مصدر الطاقة الهوائية قبل إجراء أي عمليات صيانة عليها، وعند محاولة ضبط تركيبية الأنف أو الملحقات أو تعديلها أو إزالتها.
- انتبه إلى أن فشل قطعة العمل أو الملحقات، أو حتى الأداة التي تم تركيبها نفسها، يمكن أن يؤدي إلى إنتاج مقذوفات سريعة للغاية.
- قم دائماً بارتداء أدوات مقاومة للصدمات لحماية العين أثناء تشغيل الأداة. ويجب أن يتم تقييم مستوى الحماية المطلوبة لكل حالة استخدام على حدة.
- كما يلزم كذلك تقييم المخاطر التي تحيق بالآخرين في هذا الوقت.
- تحقق من تثبيت أداة العمل بشكل محكم.
- تحقق من توافر وسائل الحماية من المقذوفات الناجمة عن أدوات التثبيت و / أو الشياق في مكانها ومن أنها تعمل بشكل جيد.
- انتبه إلى القذف غير المقصود للشياق من مقدمة الأداة.
- لا تقم بتشغيل الأداة أثناء توجيهها نحو أي شخص (أشخاص).

1.3 مخاطر التشغيل

- يمكن أن يؤدي استخدام الأداة إلى تعريض أيادي المشغل للمخاطر، بما في ذلك السحق والصدم والقطع والكشط والحرارة. ارتد قفازات مناسبة لحماية اليدين.
- يمكن للمشغلين والأشخاص المسؤولين عن الصيانة التعامل مع كتلة الأداة ووزنها وطاقتها من الناحية البدنية.
- امسك الأداة بالشكل الصحيح؛ وكن على استعداد لمقاومة حركتها العادية أو المفاجئة، واجعل كلتا يديك متاحتين للتعامل مع الأداة.
- حافظ على جفاف مفاصل الأداة ونظافتها وخلوها من أي زيوت وشحوم.
- حافظ على أن تكون وضعية جسمك متوازنة وثبات قدميك أثناء تشغيل الأداة.
- حرر أداة التشغيل والإيقاف في حالة أي مقاطعة لإمداد الطاقة الهيدروليكية.

- لا تستخدم إلا مواد التشحيم التي توصي بها جهة التصنيع.
- يجب تجنب ملامسة السائل الهيدروليكي. ويجب اتخاذ إجراءات السلامة للغسل الجيد إذا حدث تلامس مع السائل لتقليل احتمالية الطفح الجلدي.
- تتاح أوراق بيانات سلامة المواد لجميع مواد التشحيم والزيوت الهيدروليكية من مورد الأداة عند الطلب.
- تجنب الأوضاع غير المناسبة حيث إنه من المحتمل ألا تسمح مثل تلك الأوضاع بمقاومة الحركة الطبيعية أو غير المتوقعة للأداة.
- إذا تم تثبيت الأداة بجهاز تعليق، فتتحقق من إحكام ذلك التثبيت.
- انتبه لمخاطر السحق أو الانضغاط إذا لم يتم تركيب معدة المقدمة.
- لا تقم بتشغيل الأداة أثناء إزالة مبيت المقدمة.
- يلزم وجود مسافة عازلة كافية وعدم ملامسة أيدي المشغل للأداة قبل متابعة العمل.
- عند حمل الأداة من مكان إلى آخر، أبعاد اليدين عن زناد التشغيل لتجنب تشغيلها بشكل غير متعمد.
- تجنب إساءة استخدام الأداة بتعريضها للسقوط أو استخدامها كمطرقة.
- يجب توخي الحذر لضمان عدم تسبب الشياق المستخدم في أي خطر.

1.4 مخاطر الحركات المتكررة

- أثناء استخدام الأداة، يمكن أن يعاني المشغل من عدم الراحة بشكل أو بآخر في اليدين أو الذراعين أو الكتفين أو الرقبة أو في أجزاء أخرى من الجسم.
- أثناء استخدام الأداة، يجب أن يستخدم المشغل وضعية مريحة مع التحقق من رسوخ القدمين وتجنب الوضعيات غير المضبوطة أو التي لا تساعد على ضمان التوازن. يجب أن يقوم المشغل بتغيير الوضعيات أثناء المهام الطويلة؛ حيث إن ذلك يمكن أن يساعد على تجنب الشعور بعدم الراحة والإجهاد.
- إذا شعر المشغل بأعراض مثل الشعور بعدم الراحة أو الألم أو الخفقان أو الألم الخفيف أو الوخز أو الخدر أو الحرقنة أو التصلب بصفة دائمة أو متكررة، يجب ألا يتجاهل علامات التحذير تلك. يجب أن يخبر المشغل صاحب العمل بذلك وأن يستشر محترف رعاية صحية مؤهل بها.

1.5 مخاطر الملحقات

- أفضل الأداة عن مصدر الطاقة الهوائية قبل تركيب أو إزالة مجموعة الأنف أو الملحقات.
- لا تستخدم إلا مقاسات وأنواع الملحقات والمواد الاستهلاكية التي توصي بها الجهة المصنعة للأداة؛ ولا تستخدم أنواع وأحجام الملحقات أو المواد الاستهلاكية الأخرى.

1.6 مخاطر مكان العمل

- يعد الانزلاق والتعثر والسقوط من الأسباب الرئيسية وراء الإصابات في مكان العمل. توخ الحذر من الأسطح الزلقة التي تنجم عن استخدام الأداة، وكذلك من مخاطر التعثر الناجمة عن خط الهواء أو الخرطوم الهيدروليكي.
- تعامل بكل عناية وحذر في البيئات التي لا تكون معتادًا عليها. فقد تكون هناك مخاطر غير ظاهرة، مثل خطوط الكهرباء أو غير ذلك من خطوط المرافق.
- الأداة غير مصممة للاستخدام في البيئات التي يحتمل أن تتعرض للانفجار، كما أنها ليست معزولة ضد الطاقة الكهربائية عند ملامستها.
- تحقق من عدم وجود كابلات كهربائية أو أنابيب غاز أو ما إلى ذلك من الأشياء التي يمكن أن تتسبب في ظهور المخاطر إذا تعرضت للتلف بفعل استخدام الأداة.
- ارتد الملابس المناسبة. لا ترتدي ملابس فضفاضة أو جواهر. أبعاد الشعر والملابس والقفاذات عن الأجزاء المتحركة. فقد تعلق الملابس الفضفاضة أو الجواهر أو الشعر الطويل في الأجزاء المتحركة.
- يجب توخي الحذر لضمان عدم تسبب الشياق المستخدم في أي خطر.

1.7 مخاطر الضوضاء

- يمكن أن يتسبب التعرض لمستويات مرتفعة من الضوضاء إلى فقد دائم في السمع بما يسبب الإعاقة فيه وإلى غير ذلك من المشكلات، مثل طنين الأذن (الرنين أو الصفير أو الأزيز أو الطنين في الأذنين). وبالتالي، من الضروري تقييم المخاطر واستخدام الضوابط المناسبة التي تتناسب مع هذه المخاطر.
- يمكن أن تشمل الضوابط المناسبة للحد من المخاطر على إجراءات مثل استخدام مواد التخميد من أجل منع قطع العمل من "الرنين".
- استخدم وسائل حماية السمع وفقاً لتعليمات صاحب العمل وحسب الضرورة بموجب لوائح الصحة المهنية ولوائح السلامة المتبعة.
- قم بتشغيل الأداة والحفاظ عليها وفقاً للتوصيات الواردة في دليل التعليمات، من أجل الحيلولة دون أي زيادة غير ضرورية في مستوى الضوضاء.

1.8 مخاطر الاهتزاز

- يمكن أن يتسبب التعرض للاهتزاز في إصابة الأعصاب بأضرار تسبب الإعاقات وكذلك بأضرار في إمداد الدم لليدين والذراعين.
- ارتد الملابس الدافئة أثناء العمل في ظروف الطقس البارد، وحافظ على جفاف ودفء يديك.
- إذا شعرت بالخدر أو الوخز أو الألم أو بابيضاض في بشرة الأصابع أو اليدين، فتوقف عن استخدام الأداة، وأخبر صاحب العمل واستشر طبيباً.
- متى أمكن، ادمع وزن الأداة من خلال الوقوف أو الشد أو التوازن، نظراً لأنك يمكنك حينها الإمساك بالأداة بشكل أخف لدعمها.

1.9 تعليمات إضافية للسلامة لأدوات الطاقة الهوائية والهيدروليكية

- يجب ألا يتجاوز هواء إمداد التشغيل 7 بارات (100 رطل لكل بوصة مربعة).
- يمكن أن يتسبب الهواء المضغوط في التعرض لإصابات خطيرة.
- لا تترك أداة التشغيل دون رقابة أبداً. أفضل خرطوم الهواء عندما لا تكون الأداة قيد الاستخدام أو قبل تغيير الملحقات أو أثناء إجراء عمليات الإصلاح.
- لا تسمح بوضع فتحة عادم الهواء الموجودة في مجمع الشياق باتجاه عمال التشغيل أو غيرهم من الأشخاص المتواجدين. لا تقم بتوجيه الهواء نحو نفسك أو نحو أي شخص آخر على الإطلاق.
- الخراطيم غير المحكمة يمكن أن تتسبب في إصابات خطيرة. دائماً افحص الخراطيم والتراكيبات بحثاً عن أي أضرار أو عدم إحكام في التثبيت.
- قبل الاستخدام، افحص خطوط الهواء بحثاً عن أي تلف، ويجب تثبيت جميع الوصلات. تجنب إسقاط الأشياء الثقيلة على الخراطيم. فقد يؤدي الاصطدام الشديد إلى إحداث تلف داخلي وعطل ميكرو في الخرطوم.
- يجب توجيه الهواء البارد بعيداً عن اليدين.
- عندما يتم استخدام قوارن التني العامة (قوارن المشابك)، يجب أن يتم تركيب مسامير القفل كما يجب استخدام كابلات السلامة السوطية من أجل الحماية من احتمالية فشل اتصال الخرطوم بالأداة أو اتصال الخراطيم ببعضها البعض.
- لا ترفع أداة التركيب مستخدماً الخرطوم. واستخدم دائماً مقبض أداة التركيب.
- يجب ألا يتم سد أو تغطية فتحات التهوية.
- أخرج الأوساخ والأشياء الغريبة من النظام الهيدروليكي للأداة، لأن هذا سيؤدي إلى تعطل الأداة.
- يمكن أن يتسبب الزيت المضغوط في التعرض لإصابات خطيرة.

- قبل الاستخدام، قم بفحص الخراطيم الهيدروليكية لاستكشاف وجود أي أضرار. يجب أن تكون جميع الوصلات الهيدروليكية نظيفة ومعشقة بالكامل ومحكمة الربط قبل التشغيل. تجنب إسقاط الأشياء الثقيلة على الخراطيم. فقد يؤدي الاصطدام الشديد إلى إحداث تلف داخلي وعطل مبكر في الخرطوم.
- لا تسحب وحدة التكتيف أو تحركها باستخدام الخراطيم. استخدم دائماً مقبض الوحدة.
- لا تستخدم سوى الزيت النظيف ومعدات التعبئة.
- لا تستخدم سوى السوائل الهيدروليكية الموصى بها فقط.
- الحد الأقصى لدرجة حرارة السائل الهيدروليكي عند المدخل هي 100 درجة مئوية (212 درجة فهرنهايت).



تحذير: بينما قد يحدث مقدار صغير من البلي والتآكل بشكل طبيعي عبر الاستخدام الطبيعي والصحيح للسياقات، يتعين فحصها باستمرار بحثاً عن كميات البلي والتآكل الزائدة، مع توخي الانتباه بشكل خاص لقطر الرأس ومساحة إمساك الفك الخلفي للساق أو التنقر الشديد للساق أو أي اهتراء في الشياق. قد تخرج الشياقات التي تتعطل أثناء الاستخدام عنوة من الأداة. تقع المسؤولية على العميل في ضمان أن الشياقات يتم استبدالها قبل وقوع مستويات زائدة من البلي وبشكل دائم قبل الوصول إلى العدد الموصى به من عمليات التثبيت. اتصل بمندوب STANLEY Engineered Fastening لديك، والذي سيتيح لك معرفة الشكل من خلال قياس حمل الشوكة لاستخدامك من خلال أداة القياس التي تمت معايرتها.

تتميز سياسة STANLEY Engineered Fastening بالتحسين والتطوير المستمر للمنتجات، وهي تحتفظ بحقوقها في تغيير مواصفات أي منتج دون إخطار مسبق.

2. المواصفات

2.1 مواصفات الأداة 07536

الحد الأدنى - الحد الأقصى	الحد الأدنى - الحد الأقصى	الحد الأدنى - الحد الأقصى	الحد الأدنى - الحد الأقصى
7 5 - بار (100 70 رطل قوة/بوصة ²)	75/ رطل قوة/بوصة ²	5.1 @ بار	2.6 لتر (0.09 قدم ³)
25 مم (1 بوصة)	الحد الأدنى	الحد الأدنى	3.89 كيلو نيوتن (875 رطل قوة)
1 ثانية	تقريبًا	80/ رطل قوة/بوصة ²	1.2 كجم (2.64 رطل)
	المسدس		

2.2 مواصفات المكثف 07531

الحد الأدنى - الحد الأقصى	الحد الأدنى - الحد الأقصى	الحد الأدنى - الحد الأقصى
7 5 - بار (100 70 رطل قوة / بوصة ²)	32:1	نسبة إحكام الربط

07536	تم تحديد قيم الضوضاء وفقًا لاختبارات الضوضاء وفقًا للمعيار ISO 3744 و ISO 15744.	
79.5 ديسيبل (أ)	الشك في الضوضاء: $k_{WA} = 2.3$ ديسيبل (أ)	مستوى طاقة الصوت المقدرة "A" بالديسيبل (أ)، L_{WA}
68.5 ديسيبل (أ)	الشك في الضوضاء: $k_{PA} = 2.3$ ديسيبل (أ)	مستوى ضغط صوت الانبعاثات المقدر "A" في محطة العمل بالديسيبل (L_{PA} ، A)
96.9 ديسيبل (ج)	الشك في الضوضاء: $k_{pC} = 2.5$ ديسيبل (ج)	مستوى ذروة ضغط صوت الانبعاثات المقدر "C" بالديسيبل (ج)، L_{pC} ، الذروة
07536	تم تحديد قيم الاهتزاز وفقًا لاختبارات الاهتزاز وفقًا للمعيار ISO 5349 و ISO 20643.	
0.97 م/ث ²	الاهتزاز غير المؤكد: 0.25 م/ث ²	مستوى انبعاثات الاهتزاز، a_{hd}
قيم انبعاثات الاهتزازات المعلن عنها وفقًا للمعيار EN 12096		

3. الغرض من الاستخدام

الأداة الهوائية 07536 عبارة عن أداة خفيفة الوزن محمولة باليد مصممة لوضع Avlug® مقاس 16/1 بوصة ما يجعلها مثالية لمجموعة التدفق الجزئي داخل مجموعة واسعة من التطبيقات بجميع المجالات.

تم اختبار الأداة اليدوية والمكثف كعنصرين منفصلين وتم دمجهما معًا. ويجب استخدامهما معًا فقط وللغرض المخصص وليس لأي أغراض أخرى. راجع قسم "التشغيل" في الصفحة 251-254 للحصول على تفاصيل الاتصال.

ولطلب أداة كاملة، ستظهر أرقام الأجزاء باستثناء معدة المقدمة.

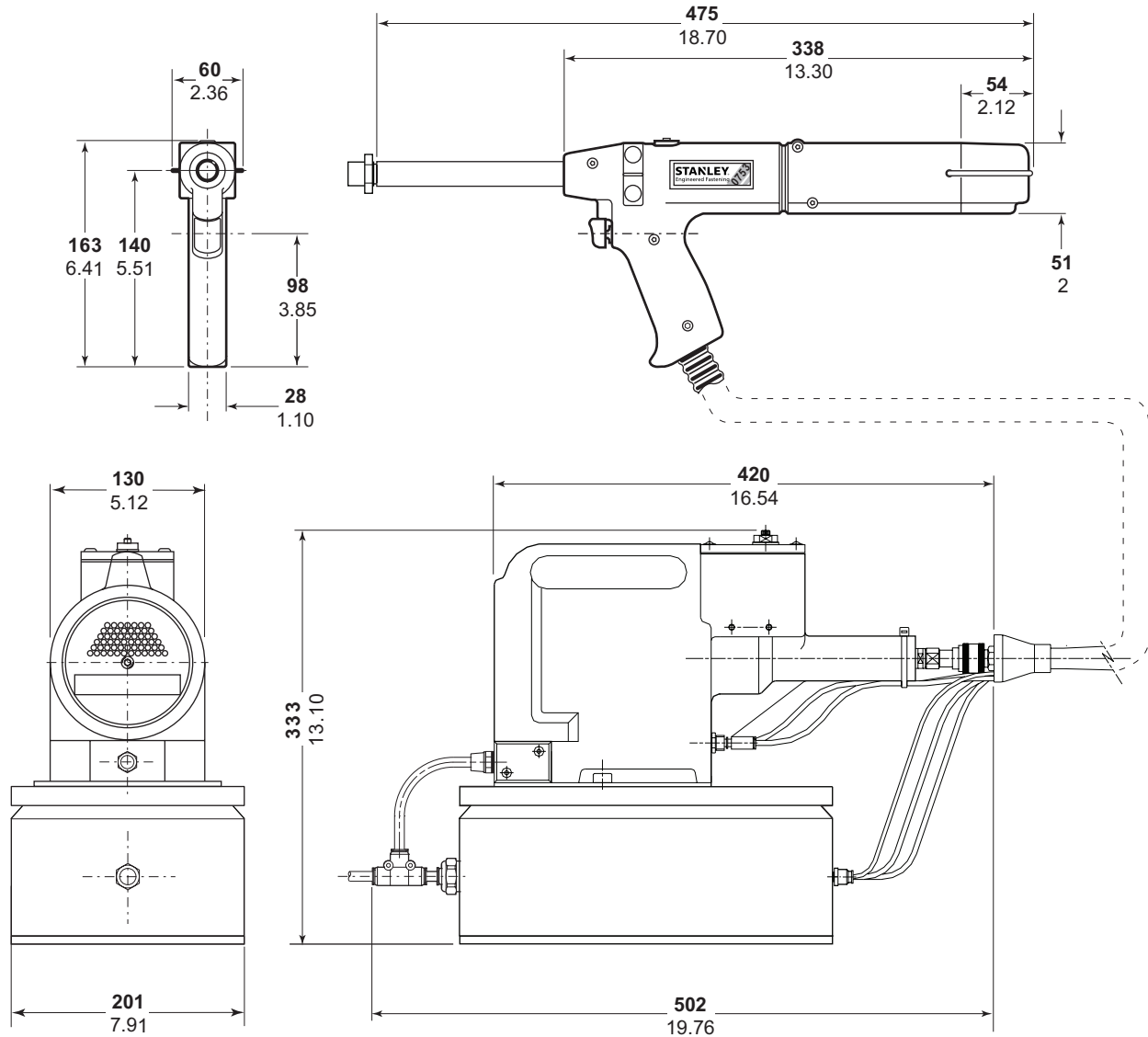
رقم الأداة للطراز 07536 هو 02200-07536.

انظر التجميع العام في الصفحات 254-264.

يجب عدم استخدام الأداة في الأجواء الرطبة أو في وجود غازات أو سوائل قابلة للاشتعال.

3.1 أبعاد الأداة - الطراز 07536

رقم الجزء 02100-07536



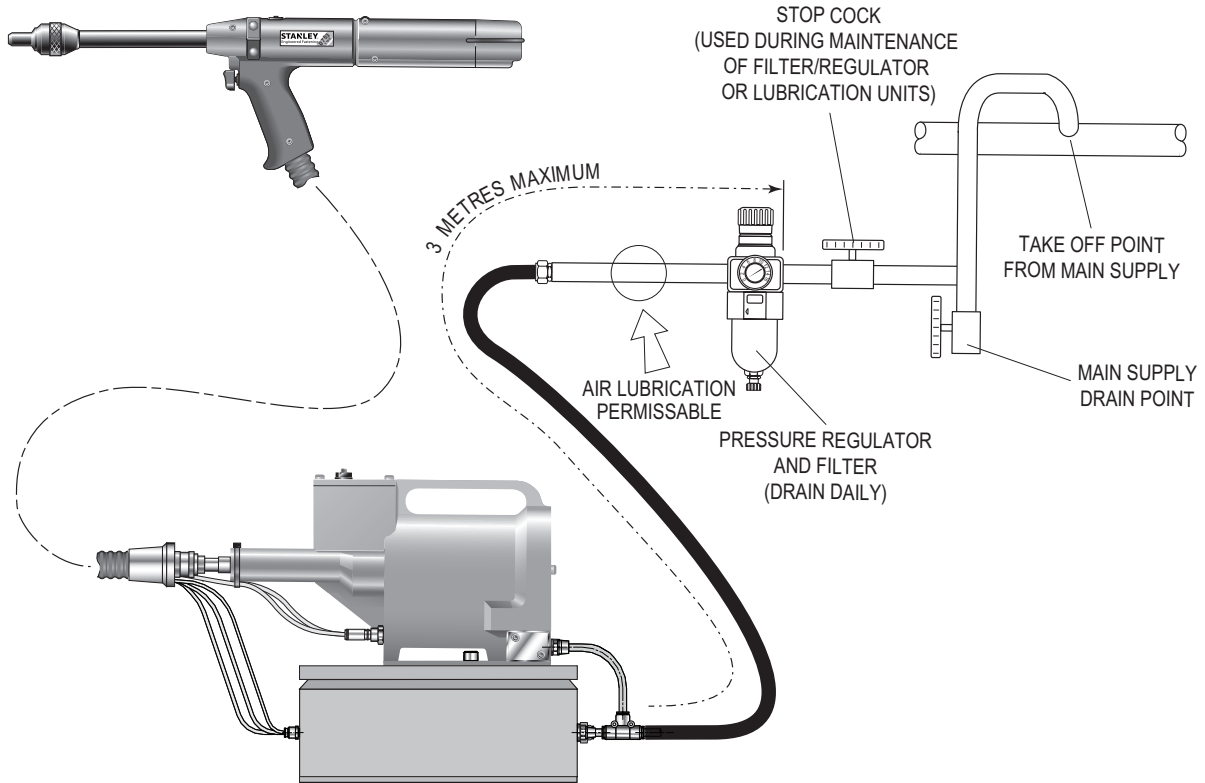
الأبعاد بالمللي.

4. التشغيل

4.1 إمداد الهواء

يتم تشغيل جميع الأدوات باستخدام الهواء المضغوط بمستوى ضغط أدناه 5.5 بارات. نوصي باستخدام منظمات الضغط وأنظمة التزييت/الترشيح الآلية في مصدر الهواء الرئيسي. لضمان أقصى عمر للأداة والحد الأدنى من صيانة الأداة، يجب تركيبها في نطاق 3 أمتار من الأداة (انظر الرسم البياني أدناه).

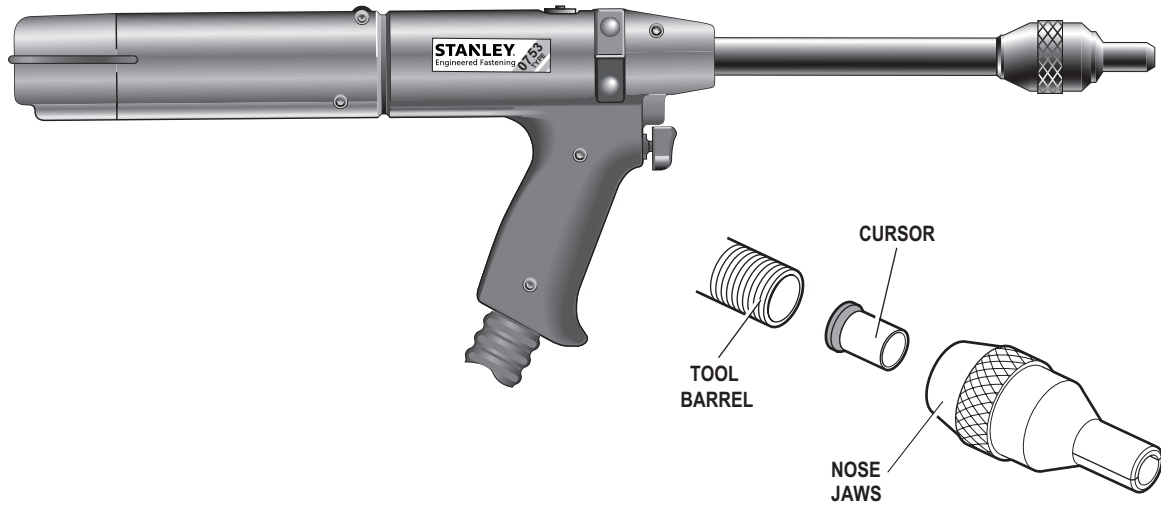
يتعين أن تحتوي خرطوم إمداد الهواء على معدل ضغط فعال عند العمل أدناه 150% من أقصى ضغط تم إنتاجه في النظام أو 10 بارات، أيهما كان أعلى. أن تكون خرطوم الهواء مقاومة للزيت وذات سطح خارجي مقاوم للكشط ومحمي، لأن ظروف التشغيل قد تؤدي إلى تلف الخرطوم. يجب أن يكون الحد الأدنى لقطر الفتحة لكل خرطوم إمداد الهواء 6.4 مم أو 4/1 بوصة.



اتبع الخطوات التالية عند توصيل الأداة بالمكثف وإمداد الهواء الرئيسي:

- ادفع طرف الخرطوم الهيدروليكي الكبير من الأداة في موصل التحرير السريع بطرف المكثف.
- بالوجه الأمامي للمكثف (راجع الصفحة 257):
- ادفع الخط الهوائي الأزرق (4 مم كثافة صوتية) في الوصلة المصغرة الموجود في موصل الحاجز الأيسر.
- ادفع الخط الهوائي الأسود (4 مم كثافة صوتية) في الطوق البلاستيكي لموصل الحاجز الأيمن.
- بالوجه الأمامي لصندوق التحكم (راجع الصفحة 257):
- ادفع الخط الهوائي الفضي (3 مم كثافة صوتية) في الوصلة المصغرة التي تحمل كلمة "المؤشر" بالوجه الأمامي لصندوق التحكم - الجانب الأيسر.
- ادفع الخط الهوائي الأخضر (4 مم كثافة صوتية) في الوصلة المصغرة التي تحمل كلمة "الفكوك الخلفية" بالوجه الأمامي لصندوق التحكم - الوسط.
- ادفع الخط الهوائي الأبيض (4 مم كثافة صوتية) في الوصلة المصغرة التي تحمل كلمة "الإشارة" بالوجه الأمامي لصندوق التحكم - الجانب الأيمن.
- قم بتركيب الخرطوم الهوائي بين الموصل الذكر في مؤخرة المكثف ومصدر إمداد الهواء الرئيسي.

4.2 مؤشرات الهواء



اختيار مؤشر الهواء
انظر صحيفة البيانات المنفصلة 00863-07900 لمكونات مجموعة المقدمة.

المؤشر

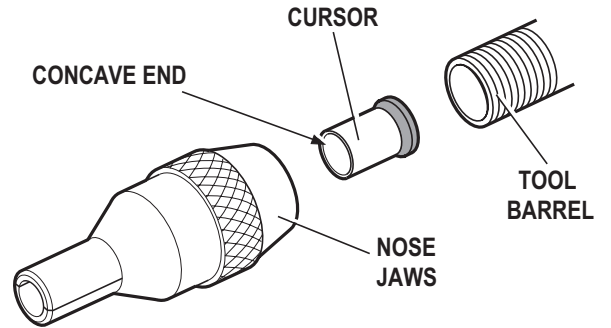
مهم
إذا تلاعب بشكل غير صحيح، فلن يسمح المؤشر بتحميل الأداة وتغذية أدوات التثبيت.

في حالة ما إذا تتم تركيب المؤشر بشكل صحيح عند امتلاك الأداة، نوصيك بالتحقق من الاتجاه قبل تركيب معدة المقدمة. يتعين أن يشير طرف المؤشر المقعر بعض الشيء، باتجاه مقدمة الأداة كما هو موضح في الشكل التوضيحي.

لعكس اتجاه المؤشر، اتبع الخطوات التالية:

ويجب توخي الحذر الشديد عند القيام بالإجراء التالي. يجب توخي الحذر لتجنب ماسورة الدفع والشياق البارز.

- قم بإزالة مجموعة المقدمة إن وُجدت.
- أدخل شياقاً فارغاً إدخالاً كاملاً في الأداة.
- أغلق الفك الخلفية **32**، باستخدام مفتاح تشغيل الفك الخلفي (العنصرين **18** و **19**).
- بعد مهلة قصيرة، سيخرج المؤشر من ماسورة الدفع.
- افتح الفك الخلفية **32**، باستخدام مفتاح إيقاف تشغيل الفك الخلفي (العنصرين **18** و **19**)، وسيؤدي ذلك إلى تحرير الشياق.
- أخرج المؤشر من الشياق وأدخله في ماسورة الدفع.



4.3 تحميل الأداة وإعادة تحميلها

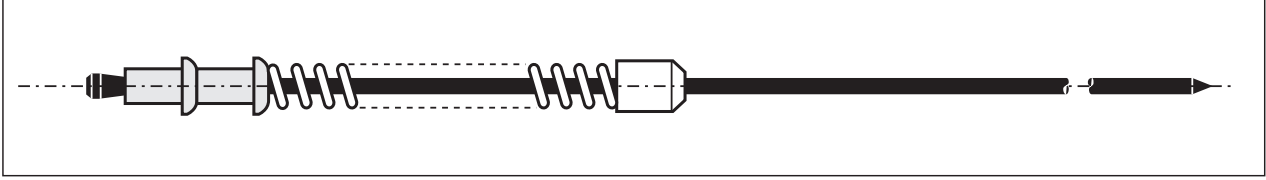
مهم
يعد الإجراء الخاص بتحميل الأداة والخاص بتركيب معدة المقدمة في الأداة، إجراءً تكاملياً.

في حالة طلب أداة أو نظام بالكامل، سيتم تزويدك بشكل عادي بكل معدات المقدمة المطلوبة لأداة التثبيت المراد تركيبها.

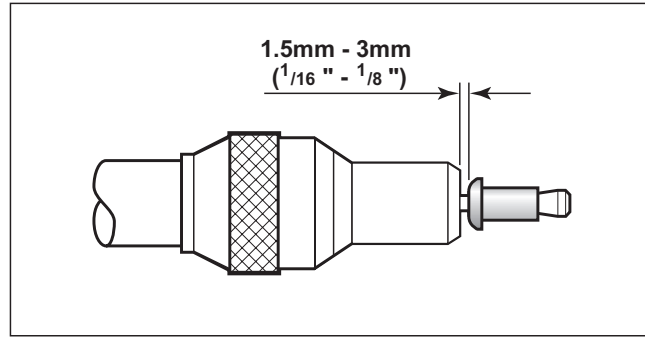
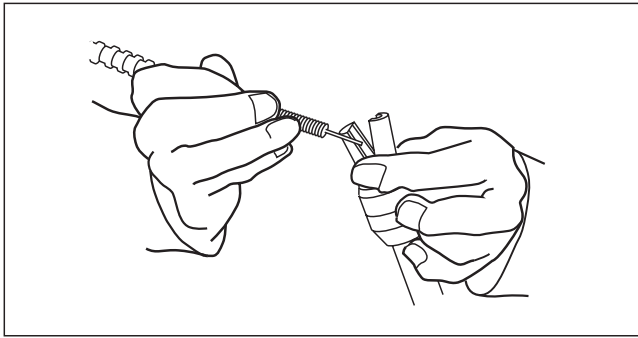
في حالة تزويدك بفك المقدمة، فستبدأ الشياقات والزنبركات الملحقة بالشياق في تحميل الأداة وتركيب معدة المقدمة كما هو موضح في الصفحة التالية.

تحميل الأداة

- قم بتوصيل مصدر إمداد الهواء بالأداة.
- افتح الفك الخلفيين **32** الذين يمسكان الشياق، عن طريق غلق مفتاح الفك الخلفي (العنصرين **18** و **19**).
- قم بتثبيت براغي فكوك المقدمة المحددة في الشياق **44** داخل الأداة.
- أدخل الشياق داخل الطرف الخلفي من أدوات التثبيت من خلال الغلاف الورقي.
- أزرع الزنبرك التابع للشياق داخل الشياق مع التأكد من الاتجاه الصحيح.



- من خلال الإمساك بالطرف الخلفي للشياق، مزق الغلاف الورقي الموجود حول أدوات التثبيت.
- افتح فكوك المقدمة من خلال إدارة الحلقة الخارجية في الفكوك المشغلة بالكامل أو من خلال الدفع باتجاه طرفي الفك، كما هو موضح أدناه في الجهة اليسرى.
- أدخل الشياق المجمع مسبقاً والزنبرك التابع للشياق وأدوات التثبيت داخل فكوك المقدمة حتى تبرز أداة التثبيت الأولى المراد تركيبها خارج فك المقدمة.
- أغلق فكوك المقدمة واضبطها بحيث تبرز أداة التثبيت الأولى لمسافة تتراوح من 1.5 مم إلى 3 مم (16/1 بوصة إلى 8/1 بوصة) كما هو موضح في الشكل التوضيحي الوارد أدناه ناحية اليمين.
- أغلق الفكوك الخلفية **32** لضمان الإمساك بالشياق، باستخدام مفتاح تشغيل الفك الخلفي (العنصرين **18** و **19**).



إعادة تحميل الأداة

- افتح الفك الخلفيين **32** للأداة، عن طريق غلق مفتاح الفك الخلفي (العنصرين **18** و **19**).
- افتح الفكوك الأمامية واسحب الشياق الفارغ والزنبرك التابع للشياق خارج الأداة.
- أعد تحميل الأداة باتتباع التعليمات الواردة أعلاه، بدءاً بالمرحلة *****.

ضبط الأداة - مجموعات المقدمة القابلة للضبط فقط

- أدخل الشياق الذي تم تجميعه مسبقاً (انظر تحميل الأداة *****) أو الشياق القابل للتخلص منه مقابل السدادة داخل مجموعة مكبس الفك الخلفي **60**.
- أثناء الإمساك بالشياق، أغلق الفك الخلفيين **32** الذين يمسكان الشياق، باستخدام مفتاح تشغيل الفك الخلفي (18 و 19).
- قم بربط صامولة التثبيت في ماسورة الدفع **44** بالأداة.
- أدر مجموعة المقدمة في ماسورة الدفع **44**.
- اضبط مجموعة المقدمة بحيث تبرز أداة التثبيت الأولى لمسافة تتراوح من 1.5 مم إلى 3 مم (16/1 بوصة إلى 8/1 بوصة) كما هو موضح في الشكل التوضيحي الوارد في الصفحة **253**.
- أحكم ربط صامولة القفل مقابل مجموعة المقدمة لمنع مجموعة فك المقدمة من الحركة.

إعادة تحميل الأداة

- افتح الفك الخلفيين للأداة، باستخدام مفتاح إيقاف تشغيل الفك الخلفي (18-19).
- افتح الفكوك واسحب الشياق الفارغ والزنبرك التابع خارج الأداة.
- أدخل الشياق الجديد مقابل السدادة أيضاً، وأغلق الفك الخلفيين **32** الذين يمسكان الشياق، باستخدام مفتاح تشغيل الفك الخلفي (18 و 19).
- أغلق الفك الخلفيين **32**.

4.4 إجراء التشغيل

مهم
يتعين عليك التحقق من صحة اتجاه المؤشر ومعدة المقدمة قبل محاولة تشغيل الأداة.

- ادفع أداة التثبيت، حتى تبرز من فكوك المقدمة بشكل كامل داخل فتحات الاستخدام للتأكد من أن الأداة يتم الإمساك بها في وضع مستوي.
- قم بتشغيل زناد التشغيل دون تحريره - يتم سحب الشياق عبر أداة التثبيت، لتكوين أداة التثبيت في الاستخدام.
- قم بإزالة الأداة.
- حرر زناد التشغيل. سيتم عرض أداة التثبيت التالية تلقائيًا خلال فكوك المقدمة، وتكون جاهزة للتركيب.

5. صيانة الأداة

يجب إجراء صيانة دورية وفحص شامل سنويًا أو كل 500.000 دورة، أيهما أقرب.

مهم

يكون صاحب العمل مسؤولاً عن التحقق من إعطاء تعليمات صيانة الأداة إلى الأشخاص المناسبين. يجب ألا يشارك المشغل في عملية الصيانة أو الإصلاح للأداة إلا إذا تم تدريبه على ذلك بالشكل المناسب.

5.1 صندوق التحكم الهوائي

مهم

يجب عدم فتح الصندوق الهوائي تحت أي ظرف من الظروف. لأن الصندوق يُعد عنصرًا مغلقًا. يتم ضبط التعديلات الداخلية مسبقًا ويجب عدم تغييرها أو العبث بها. ويجب عدم تفكيك صندوق التحكم هذا إلا من خلال موظفي التثبيت المعتمدين من شركة STANLEY.



تنبيه: لا تستخدم أبدًا المذيبات أو المواد الكيميائية القوية الأخرى في تنظيف الأجزاء غير المعدنية الموجودة في الأداة. فقد تؤدي هذه المواد الكيميائية إلى إضعاف المواد المستخدمة في هذه الأجزاء.

5.2 الإجراءات اليومية

- يتعين بشكل يومي، وقبل الاستخدام أو عند تشغيل الأداة للمرة الأولى. سكب بضع قطرات من زيت التشحيم النظيف والخفيف في مدخل الهواء في المعزز في حالة عدم تركيب مشحمة في مصدر إمداد الهواء. وفي حالة استخدام الأداة باستمرار، فيجب فصل خرطوم الهواء عن مصدر الهواء الرئيسي وتشحيم الأداة كل مدة تتراوح ما بين ساعتين وثلاث ساعات.
- فحص التسريبات الهوائية والسائلة. يتعين استبدال الخراطيم والقوارن التالفة أو البالية.
- وفي حالة عدم وجود فلتر في منظم الضغط، فقم بتصريف الهواء لتفريغه من الماء أو الأوساخ المتراكمة قبل توصيل خرطوم الهواء بالمعزز. في حالة وجود فلتر، قم بتجفيفه.
- تحقق من صحة معدة المقدمة.
- افحص الشياقات بشكل دوري للتأكد من عدم وجود علامات اهتراء أو تلف مع مراقبة عدد عمليات التثبيت (اقرأ تعليمات السلامة في الصفحة 246-247).

5.3 الإجراءات الأسبوعية

- قم بتنفيذ "الإجراءات اليومية" بشكل كامل كما هو موضح أعلاه.
- قم بإزالة وفحص وتنظيف وتشحيم الفك الخلفية (راجع "أسطوانة الفك الخلفي" في "قسم الصيانة" في صفحة 258).
- تحقق من مستوى الزيت في مستودع وحدة المعزز بحجم 12مم (2/1 بوصة) تقريبًا، أسفل لوحة الغطاء الشفاف.

5.4 بيانات السلامة لشحم MOLY LITHIUM GREASE EP 3753

يمكن طلب الشحم كمنتج منفرد، حيث يظهر رقم الجزء في صفحة مجموعة الصيانة 256.

الإسعافات الأولية

البشرة:

حيث إن الشحم مقاوم للمياه بشكل كامل، من الأفضل أن تتم إزالته باستخدام منظف بشرة مستحلب.

البلع:

تحقق من شرب الشخص لمقدار 30 مل من حليب المغنيسيا، ويفضل أن يتم ذلك باستخدام كوب حليب.

العيان:

يسبب التهيج، إلا أنه لا يضر بها. قم بغسل العينين بالماء، واطلب الحصول على الرعاية الطبية.

الحريق

نقطة الاشتعال: فوق 220 درجة مئوية.

غير مصنف على أنه مادة قابلة للاشتعال.

مواد الإطفاء المناسبة: ثاني أكسيد الكربون أو الهالون أو المياه المرشوشة في حالة استخدامها من خلال مشغل يمتلك الخبرة والاحتراافية.

البيئة

يتم فركه لحرقه أو التخلص منه في موقع معتمد لذلك.

التعامل معه

استخدم دهانًا عازلاً أو قفازات مقاومة للزيت.

التخزين

بعيدًا عن مصادر الحرارة وعوامل الأكسدة.

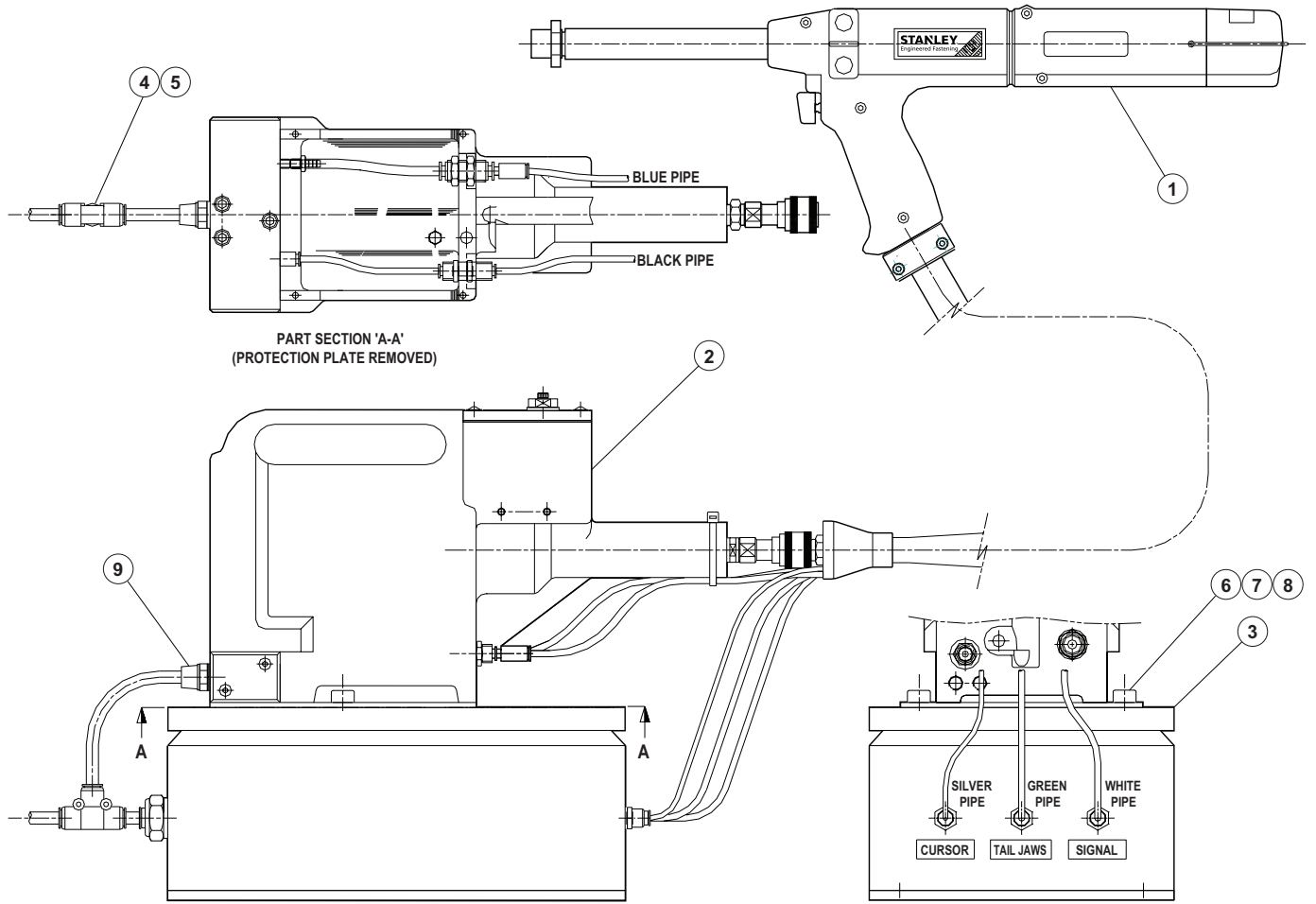
5.5 مجموعة الصيانة

بالنسبة لكل عمليات الصيانة، نوصي باستخدام مجموعة الصيانة (رقم الجزء 05300-07900).

مجموعة الصيانة					
العدد	الوصف	رقم جزء العنصر	العدد	الوصف	رقم جزء العنصر
1	خطاف إزالة السدادة	07900-00352	1	كماشة دائرية	07900-00157
1	إزالة سدادة ماسورة الدفع باستخدام مفتاح الربط	07900-00710	1	سكين المعجون	07900-00006
1	الكرة	07900-00725	1	مستخرج	07900-00446
1	المفك	07900-00243	1	فكا ملزمة ماسورة الدفع	07900-00603
1	مفتاح ربط المكثف	07900-00717	1	قضيب بقطر 8/3 بوصة	07900-00520
1	مفتاح ALLEN مقاس 1/8 بوصة	00013-07900	1	قضيب بقطر 1/4 بوصة	07900-00521
1	عبوة LOCTITE MULTI-GASKET 574 سعة 50 مل	00617-07900	1	كرة تجميع الحلقة الدائرية "O"	07900-00602
1	مفتاح ALLEN مقاس 2.5 مم	00469-07900	1	مفتاح ربط 18 مم	07900-00595
1	مفتاح ALLEN مقاس 3 مم	00351-07900	1	مفتاح ربط 32 مم	07900-00434
1	مفتاح ALLEN مقاس 4 مم	00224-07900	1	مبعاد B.S.W. مقاس 3/8 بوصة × 5/16 بوصة.	07900-00237
1	مفتاح ALLEN مقاس 5 مم	00225-07900	1	مفتاح ربط مقاس 9/16 × 5/8 بوصة	07900-00012
1	TIN MOLY LITHIUM GREASE شحم EP 3753 وزن 80 جرامًا	00020-07992	1	مفتاح ربط مقاس 7/16 × 1/2 بوصة	07900-00008

ملاحظة: يتم قياس مقاسات مفاتيح الربط (عبر الأجزاء المستوية)، ما لم يتم تحديد غير ذلك.

5.6 أداة مؤشر الهواء والمكثف ومجموعة صندوق التحكم 07536-02100



العدد	الوصف	رقم الجزء	العنصر
1	أداة يدوية لمؤشر الهواء	07536-02200	1
1	أداة المكثف	07531-02200	2
1	صندوق التحكم في مؤشر الهواء	07007-02024	3
1	موصل على شكل T	07005-10071	4
1	أنبوب 8 مم (2.50 م)	07005-10072	5
8	صامولة برشامة M8 معدلة	12080-74405	6
2	15 برغي رأس غطاء مقبس M8	00469-07001	7
4	جلبة M8	00105-07002	8
1	أنبوب موصل ذكر 8 مم	01573-07005	9
1	وصلة مصغرة ذكر/أنثى 6 مم / 4 مم	01977-07005	10

6. الصيانة

يجب تفكيك الأداة بشكل كامل كل 500000 دورة، وتركيب مكونات جديدة بها متى كانت هناك مكونات تالفة أو بالية أو حسب التوصيات. ويجب أن يتم تجديد كل الحلقات "الدائرية" والسدادات وتشحيمها باستخدام شحم Moly Lithium EP 3753 قبل تجميعها.

مهم

تظهر تعليمات السلامة في الصفحة 4.

يكون صاحب العمل مسؤولاً عن التحقق من إعطاء تعليمات صيانة الأداة إلى الأشخاص المناسبين. يجب ألا يشارك المشغل في عملية الصيانة أو الإصلاح للأداة إلا إذا تم تدريبه على ذلك بالشكل المناسب.

يتعين فصل أنبوب الهواء قبل إجراء أي صيانة أو إجراء عملية تفكيك، إلا إذا كانت هناك تعليمات بخلاف ذلك.

يتعين أن يتم تنفيذ أي عملية تفكيك في بيئة نظيفة.

قبل تفكيك الأداة، ستحتاج إلى إزالة معدات المقدمة.

بالنسبة إلى الصيانة الإجمالية للأداة، ننصحك بالمضي قدمًا في تفكيك المجموعات الفرعية بالترتيب الموضح أدناه بعد قطع الخرطوم الهيدروليكي من وحدة المكثف وخطوط الهواء من صمام المكثف وصندوق التحكم، ومن ثم فصل وحدة المسدس عن وحدة المكثف.

وتتبع إزالة المواد التي يحتمل أن تكون خطيرة والتي يُحتمل ترسيبها على الجهاز نتيجة لعمليات التشغيل قبل الصيانة.

6.1 تفكيك الأداة 07536-02200

أسطوانة الفك الخلفي

- اقلب مشبك الاحتجاز 53 يدويًا وأزل الغطاء الطرفي 59.
- باستخدام مفتاح Allen*، قم بإزالة برغي رأس الغطاء 6 لضمان تصريف أي هواء محتبس في أسطوانة الفك الخلفي. قم بإزالة برغي رأس الغطاء الثاني 6.
- اسحب السدادة الخلفية 50. ملاحظة: للمساعدة في عملية الإخراج، يوجد خيط مقاس 5 مم على الوجه الخلفي للسدادة.
- أخرج مكونات الفك الخلفي الهوائية، والتي تتألف من مجموعة مكبس الفك الخلفي 60، والسدادة 52، والحلقة "الدائرية" 12، والفكين 32.
- أخرج المكونات المتبقية التي تتألف من الزنبرك 36 ومببب الفك 42.
- يجب أن يكون الطول الحر للزنبرك 38.1 36 مم (1.5 بوصة). واستبدلها إذا لزم الأمر.
- قم بإزالة حلقة سدادة مجموعة المكبس "الدائرية" 11.
- افصل الأنابيب الحلزونية لمؤشر الهواء (أخضر) 49 من موصل الكوع 22.
- افصل الأنابيب الحلزونية لمؤشر الهواء (فضي) 38 من الكوع الشائك 30.
- باستخدام مفتاح Allen*، قم بإزالة جميع براغي التثبيت ذات المقبض الخماسي 3، 4 والصواميل الأربعة كلها 8 من مقبض الأداة.
- أمسك ماسورة الدفع 44 في ملزمة باستخدام الفكين الناعمين لتجنب التلف.
- باستخدام مفتاح ربط صندوقي*، قم بفك قابس ماسورة الدفع 46، مع منع دوران ماسورة الدفع 44 باستخدام مفتاح ربط مفتوح الطرف*.
- اسحب أسطوانة الفك الخلفي 47 من الأداة.
- قم بإزالة الحلقة الدائرية 14 وشريط الفك 41 وزنبرك إرجاع ماسورة الدفع 37.
- قم بتغطية وجه الفكوك الخلفية 32 بشحم مولي ليثيوم الملامسة لمببب الفك 42، قبل التجميع.
- قم بالتجميع بالترتيب العكسي للتفكيك.

المكبس الهيدروليكي

- قم بإزالة أسطوانة الفك الخلفي 47 كما هو موضح سابقًا.
- أمسك الجسم 45 في ملزمة باستخدام الفكين الناعمين لتجنب التلف، وفك محدد الأشواط 40.
- باستخدام مفتاح Allen*، قم بفك البرغي 5 الذي يثبت كتلة المحول 54 بماسورة الدفع 44.
- أمسك الأداة بقوة واسحب ماسورة الدفع 44 من الجسم 45 (قد تخرج كمية صغيرة من الزيت الهيدروليكي من داخل مجموعة الرأس).
- قم بإزالة المكبس 39 بعناية حتى لا تتلف فتحة الرأس.
- أزل السدادة 16.

* يشير إلى العناصر المضمنة في طقم خدمة الطراز MkII 0753. للحصول على القائمة الكاملة، انظر الصفحة 256. تشير كل الأرقام الواردة بالخط العريض إلى التجميعات العامة وقوائم الأجزاء في الصفحات 260-261.

- يصعب إزالة السدادة 17 دون إتلافها، ولكن يمكن أن تظل في مكانها أثناء التنظيف (بشرط ألا تتأثر بعملية التنظيف). ومع ذلك، إذا كانت السدادة 17 تتطلب التجديد، فتابع قدمًا على النحو التالي:
- باستخدام الملعقة*، افتح السدادة 17 من الجسم 45، مع الحرص على عدم إتلاف تجويف الجسم والفتحات. يجب التخلص من السدادة 17 التي تتم إزالتها.
- لاستبدال السدادة 17، قم بفك مجموعة سدادة التصريف 43 حتى يصبح الوجه الداخلي مساويًا للتجويف الداخلي للجسم 45. سيوفر هذا ممرًا سلسًا لإدخال السدادة الجديدة 17 عبر الجزء الخلفي من الجسم 45.
- تأكد من تشحيم 17 السدادة جيدًا واستخدام الطريقة الصحيحة بحيث يكون الطرف المفتوح للسدادة مواجهًا للفكوك الخلفية.
- قم بإكمال التجميع بالترتيب العكسي للتفكيك.

مجموعة الزناد

- لتفكيك/ تجميع الصيانة، قم بإزالة الأغشية من الأداة كما هو موضح سابقًا.
- افصل جميع خراطيم الهواء عن المجموعة، مع الحرص على عدم إتلافها. قم بإزالة المجموعة.
- باستخدام مفتاح ربط*، قم بفك الحاجز 34 ثم إزالته. احرص على الحفاظ على الزنبرك 31.
- ارفع الحلقة "الدائرية" 10 مع الحرص على عدم إتلاف ركيزة محور الدوران 35 والحاجز 34.
- قم بتنظيف وإعادة التجميع باستخدام حلقة "دائرية" جديدة 10.
- تحقق من طول الزنبرك 31 الذي يجب أن يكون طوله 12.7 مم (0.5 بوصة) - واستبدله إذا لزم الأمر.
- التجميع بترتيب عكسي للتفكيك.

صمام تشغيل / إيقاف تشغيل الفك الخلفي

- تم تصميم الوحدة بحيث لا تتطلب إلا الحد الأدنى من الصيانة طوال عمر الأداة.
- إذا كان من الضروري فك الصمام، فتابع قدمًا كما يلي:
- قم بإزالة مبيت الزناد 56 كما هو موضح في قسم "المكبس الهيدروليكي".
- باستخدام مفك*، قم بإزالة جلبة Star-lock المصنوعة من الكروم 18 بعناية من بكرة الفك الخلفي الهوائي 55 وتخلص من الجلبة.
- استخراج بكرة الفك الخلفي الهوائي 55 من كتلة المحول 54.
- مع الحرص على عدم إتلاف بكرة الفك الخلفي الهوائي 55، قم بإزالة الحلقات "الدائرية" 12.
- نظف البكرة وأعد تركيب الحلقات "الدائرية" 12 الجديدة باستخدام كرة التجميع* وأدخلها في كتلة المحول 54، مع الانتباه إلى اتجاهها.
- قم بتركيب جلبة Star-lock المصنوعة من الكروم 18 الجديدة عن طريق تثبيتها في الملمزة باستخدام الفك الناعم لمنع التلف. لا تستخدم القوة غير الضرورية.
- قم بإكمال التجميع بالترتيب العكسي للتفكيك.

المقبض والغطاء النهائي

- قم بتنظيف وفحص القوالب بحثًا عن التشققات أو أي أضرار أخرى.

المؤشر

- قم بتنظيف وتزييت مجموعة المؤشر من حين لآخر بالقليل من الزيت الخفيف.

مهم

افحص الأداة مقابل الصيانة اليومية والأسبوعية.
تعد عملية التحضير "دائمًا" ضرورية بعد القيام بفك الأداة وقبل تشغيلها.

* يشير إلى العناصر المضمنة في طقم خدمة الطراز MkII 0753. للحصول على القائمة الكاملة، انظر الصفحة 256.
تشير كل الأرقام الواردة بالخط العريض إلى التجميعات العامة وقوائم الأجزاء في الصفحات 260-261.

6.3 قائمة الأجزاء للأداة الأساسية طراز 07536-02200

07536-02200 قوائم الأجزاء									
الكمية	قطع الغيار	الوصف	رقم الجزء	العنصر	الكمية	قطع الغيار	الوصف	رقم الجزء	العنصر
-	1	الحاجز	00803-07220	34	-	1	رابط الكابلات (غير معروض)	00392-07007	1
-	1	محور الدوران	00208-07241	35	-	3	5 براغي طقم المقبس طويلة M3	00499-07001	2
-	1	زنبرك	00404-07154	36	-	1	22 براغي غطاء رأس مقبس طويل M4	00262-07001	3
-	1	زنبرك إرجاع ماسورة الدفع	03002-07490	37	-	4	10 براغي غطاء رأس مقبس طويل M4	00401-07001	4
-	1	أنبوب حلزوني لمؤشر الهواء 3 مم - فضي	02211-07536	38	-	1	6 براغي طقم رأس المقبس طويلة M5	00404-07001	5
-	1	المكبس	00203-07536	39	2	2	6 براغي غطاء رأس مقبس طويل M4	00504-07001	6
-	1	محدد الأشواط	00204-07530	40	-	-	-	-	7
1	1	شريط الفرق	00206-07530	41	-	4	صامولة سداسية M4	00134-07002	8
-	1	مبيت الفك	00208-07536	42	-	2	جلبه M4 [بلاستيكية]	00153-07002	9
-	1	مجموعة سدادة التصريف [العناصر من 62 إلى 65] ●	00500-07530	43	-	1	الحلقة الدائرية	00022-07003	10
-	1	ماسورة الدفع	02201-07536	44	3	3	الحلقة الدائرية	00113-07003	11
-	1	الهيكل	02202-07530	45	3	3	الحلقة الدائرية	00121-07003	12
-	1	قابس ماسورة الدفع	02205-07530	46	1	1	سدادة BSP مربوطة مقاس 8/1 بوصة	00142-07003	13
-	1	أسطوانة الفك الخلفي	02207-07536	47	1	1	الحلقة الدائرية	00167-07003	14
-	2	الملصق	02210-07530	48	-	2	الحلقة الدائرية	00386-07003	15
-	1	أنبوب حلزوني لمؤشر الهواء 4 مم - أخضر	02212-07536	49	1	1	السدادة [إيناميكية]	00236-07003	16
-	1	السدادة الخلفية	02213-07536	50	-	1	السدادة [ثابتة]	00237-07003	17
-	2	قابس التفريغ	00310-07530	51	-	1	جلبه STARLOCK مقاس 8/1 بوصة من الكروم	00058-07004	18
-	1	السدادة	02214-07536	52	-	1	جلبه STARLOCK مقاس 8/1 بوصة سوداء اللون	00059-07004	19
-	1	مشبك	02220-07530	53	-	1	موصل 3 مم	10073-07005	20
-	1	كتلة المحول	02301-07530	54	-	1	موصل من نوع الطوق	01357-07005	21
-	1	بكرة الفك الخلفي الهوائي	02302-07530	55	-	3	موصل الكوع	01571-07005	22
-	1	مبيت الزناد	02311-07530	56	-	1	صامولة التثبيت	02216-07536	23
-	1	التعامل مع القوالب باستخدام اليد اليمنى	02601-07536	57	-	1	موصل 2 مم	10074-07005	24
-	1	التعامل مع القوالب باستخدام اليد اليسرى	02602-07536	58	-	1	غطاء الغبار	00017-07007	25
-	1	الغطاء الطرفي	02603-07530	59	-	1	زر الزناد	00300-07007	26
-	1	مجموعة مكبس الفك الخلفي	02800-07536	60	-	1	ملصق السلامة	02022-73200	27
-	1	معدة المحول	02215-07536	61	-	1	ملصق علامة CE	01504-07007	28
1	1	السدادة المربوطة (غير معروضة)	00142-07003	62	-	1	مجموعة الخرطوم المرن	00438-07008	29
1	1	السدادة المربوطة (غير معروضة)	00194-07003	63	-	1	كوع شاتك 3م	01323-07005	30
1	1	براعي (غير معروض)	00442-07001	64	-	1	زنبرك	00215-07125	31
-	1	سدادة (غير معروضة)	00501-07530	65	2	1	الفكوك الخلفية	00403-07151	32
-	-	-	-	-	-	1	الحلقة الدائرية	00016-07003	33

6.4 تعليمات التفكيك

- عند تفكيك مجموعة المعزز، قم أولاً بفصل خرطوم إمداد الهواء بموصل مدخل المعزز **22**.
- باستخدام مفتاح Allen * قم بفك البراغي الأربعة **27** ثم أزل لوحة الحماية **24**.
- افصل خرطوم زناد التشغيل **47** من صمام المكثف **43** أو **48** عن طريق الضغط على الطوق الخارجي وسحب الخرطوم.
- أزل لوحة الغطاء **4** والحشية **35** بإزالة البراغي **37** والفلات **36** باستخدام مفتاح Allen*.
- تأكد من أن الحشية غير تالفة لضمان إغلاق مناسب للمجموعة.
- اقلب مجموعة المعزز رأساً على عقب وقم بتجفيف الزيت من المستودع الموجود في حاوية مناسبة.
- أزل موصل الإصدار السريع **32** جيئاً إلى جنب مع الموصل **31** والسدادات **33** باستخدام مفتاح ربط مناسب*.
- أزل صمام المعزز **43** أو **48** بإزالة براغي التثبيت باستخدام مفتاح ربط مناسب مع الانتباه لإبعاد الحلقة "الدائرية" **21** الموجودة في هيكل جسم المعزز.
- أزل البرغي **19** باستخدام مفتاح Allen*، ثم أزل غطاء كاتم الصوت **16** وكاتم الصوت الرغوي **15** والمبادل **18** ولوحة الاحتجاز **20**.
- اسحب الأنبوب البلاستيكي مقاس 6 مم **41** من موصلات التفريغ **42**.
- من قاعدة المعزز، أدخل مفتاح Allen مقاس 3 مم * خلال الفتحتين وقم بفك برغي موصلات التفريغ **42**. ملاحظة:
- يتعين توخي الحذر، حيث أن موصلات التفريغ يتم قفلها وإغلاقها في مكانها باستخدام Loctite® 574.
- إذا تعذرت إزالة موصلات التفريغ، يمكن أن يتم ثقبها باستخدام مثقاب بقطر 16/3 بوصة أو 4.7 مم.
- لإعادة تجميع موصلات التفريغ **42**، يتعين اتباع الإجراء التالي: -
- قم بغمر موصلات التفريغ في دهان مناسب، على سبيل المثال Perma Bond A905
- ضع نقطة من Loctite® 574 في فتحة المعزز ذات السنون اللولبية.
- من قاعدة المعزز، أدخل مفتاح Allen * خلال الفتحة. تأكد أن مفتاح Allen* خالياً من Loctite® 574 قبل إدخاله في موصل التفريغ.
- أدر مفتاح Allen أثناء استخدام Loctite® 574 إلى قاعدة موصل التفريغ.
- اربط برغي موصل التفريغ، مع التأكد من وجود كمية كافية من Loctite® 574 في قاعدة التركيبة بحيث يكون السن اللولبي غير ظاهر.
- باستخدام مفك براغي، أزل بحذر حلقة الاحتجاز الداخلية **14**. قم بتنظيف كل فجوة وفحصها لاكتشاف أي تآكل أو تلف.
- باستخدام مستخرج*، أدخل الطرف الذكر المزود بسن لولبي داخل الغطاء الطرفي **12** وقم بسحبه مع جلبة المعزز **28** والحلقات "الدائرية" **10** و **13**.
- أدخل القضيب* خلال فتحة الموصل الموجودة في مقدمة جسم المعزز وانقر فوق قضيب المكبس **9** ومجموعة المكبس.
- باستخدام مفتاح Allen*، قم بفك البرغيين **25** وإزالة الغطاء الطرفي **12** من جلبة المعزز **28**.
- أزل حاجز السدادة **7** باستخدام مفتاح ربط*.
- أدخل القضيب* خلال فتحة الموصل الموجود في مقدمة جسم المعزز، ثم ادفع مبيت السدادة **5** للخارج، وقم بربط الحلقات "الدائرية" وسدادات الحافة.
- أزل مجموعة مبيت الصمام **34** من الجسم الرئيسي باستخدام مفتاح ربط* مناسب. قم بالتنظيف من خلال النفخ باستخدام نافث هواء منخفض الضغط.
- أزل قضيب المكبس **9** من مكبس هواء المعزز **11** بإمساك مسافة **20** مم (4/3 بوصة) من القضيب في الملزمة التي تم تركيبها باستخدام الفكوك اللينة، مع توخي الحذر لعدم تلف سطح العمل أو التأثير عليه.
- فك صامولة التثبيت **17** باستخدام مفتاح ربط مناسب*.
- قم بالتجميع بالترتيب العكسي للتفكيك، مع مراعاة ما يلي:
- قم بتنظيف كل الأجزاء وتجديد الحلقات "الدائرية".
- قم بتشحيم كل السدادات باستخدام شحم Moly Lithium.
- يتعين إعادة تركيب مجموعة مبيت الصمام **34** باستخدام شريط لاصق لمنع التسرب.
- قم بتجميع مجموعة المكبس باستخدام صامولة جديدة **17**.
- يتعين تركيب الغطاء الطرفي **12** بشكل صحيح داخل حلقة الاحتجاز **14**. يتعين ألا يتم تشغيل الأداة إذا تمت إزالة الغطاء الطرفي.

مهم

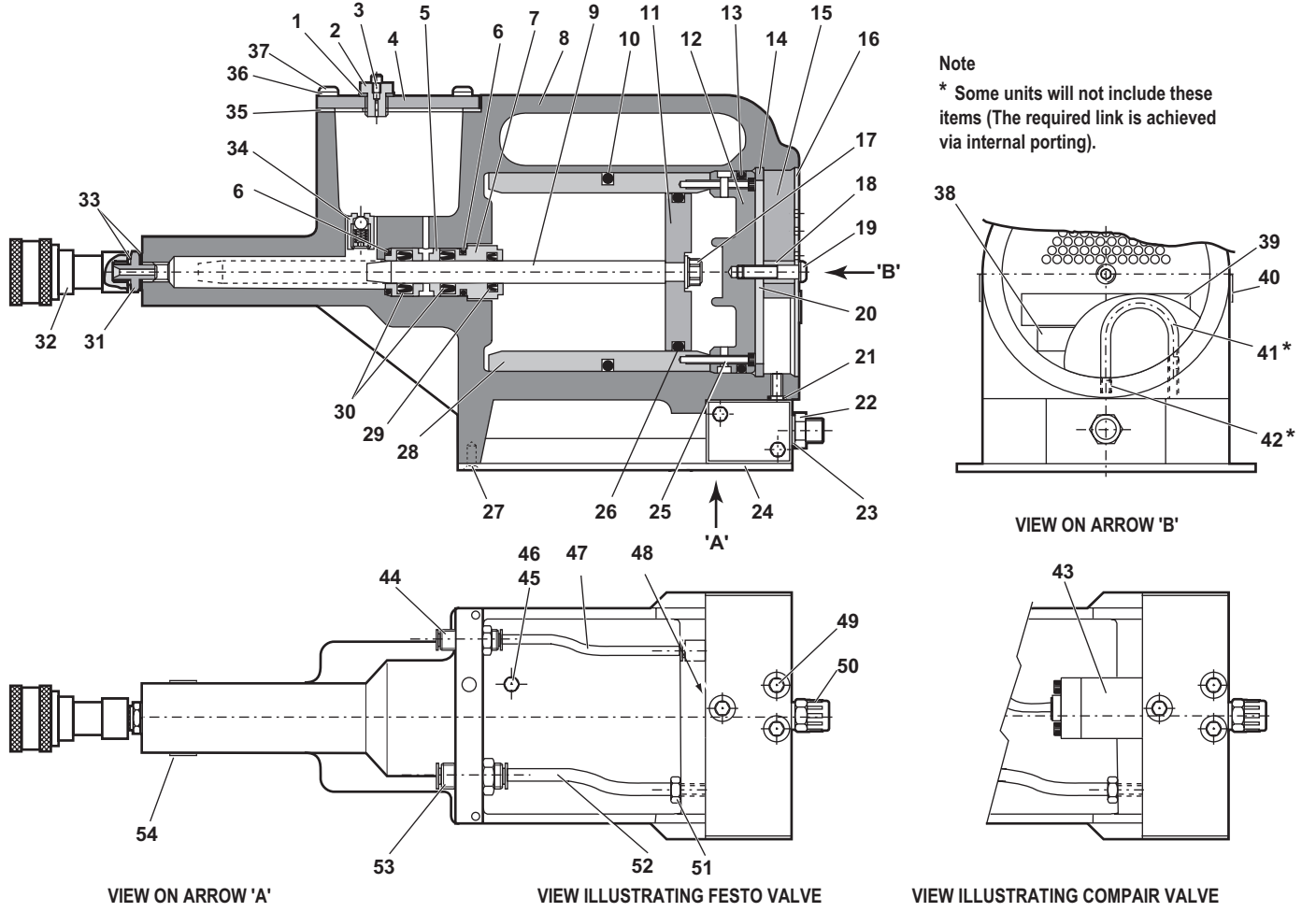
تعد عملية التحضير "دائمًا" ضرورية بعد القيام بفك الأداة وقبل تشغيلها.

* يشير إلى العناصر المضمنة في طقم خدمة الطراز MKII 0753. للحصول على القائمة الكاملة، انظر الصفحة 256. تشير كل الأرقام الواردة بالخط العريض إلى الشكل التوضيحي وقائمة الأجزاء المقابلة.

6.5 حماية البيئة

تحقق من الالتزام باللوائح السارية للتخلص من الأجهزة. تخلص من كل الأجهزة التالفة في منشأة معتمدة لتجميع النفايات أو أحد المواقع المعدة لذلك، بحيث لا يتم تعريض الأشخاص والبيئة للمخاطر.

6.6 تفكيك الأداة 07531-02200



* يشير إلى العناصر المضمنة في طقم خدمة الطراز MKII 0753. للحصول على القائمة الكاملة، انظر الصفحة 256. تشير كل الأرقام الواردة بالخط العريض إلى الشكل التوضيحي وقائمة الأجزاء المقابلة.

02200-07531 قائمة الأجزاء								
العنصر	رقم الجزء	الوصف	الكمية قطع الغيار	العنصر	رقم الجزء	الوصف	الكمية قطع الغيار	العنصر
1	00037-07003	السدادة	1	28	00201-07531	جلبة	1	-
2	00211-07240	برغي الملء	1	29	00337-07003	سدادة الحافة	1	1
3	00418-07001	برغي التصريف	1	30	00336-07003	سدادة الحافة	2	2
4	00210-07240	لوحة الغطاء	1	31	00406-07005	الموصل	1	-
5	02006-71420	مبيت السدادة	1	32	00759-07005	موصل الإصدار السريع	1	-
6	00153-07003	الحلقة الدائرية	2	33	00142-07003	السدادة	2	1
7	02007-71420	حاجز السدادة	1	34	00400-07240	مجموعة مبيت الصمام	1	-
8	02300-71420	مجموعة الجسم	1	35	00209-07240	الحشية	1	1
9	02008-71420	قضيب المكبس	1	36	00073-07002	الفلكة	4	1
10	00182-07003	الحلقة الدائرية	1	37	00554-07001	البرغي	4	1
11	00202-07531	مكبس الهواء	1	38	01504-07007	الملصق	1	-
12	00204-07531	الغطاء الطرفي	1	39	00217-07240	الملصق	1	-
13	00183-07003	الحلقة الدائرية	1	40	00205-07531	الملصق	2	-
14	00069-07004	حلقة الاحتجاز	1	41	00596-07005	أنبوب بلاستيكي مقاس 6 مم*	-	-
15	00213-07240	كاتم الصوت الرغوي	1	42	00103-07245	*موصل التفريغ	2	-
16	00214-07240	غطاء كاتم الصوت	1	43	00590-07005	صمام COMPAIR	1	1
17	00017-07002	صامولة	1	44	01431-07005	موصل الحاجز	1	1
18	00215-07240	مباعد	1	45	00668-07005	السداد M5	1	-
19	00417-07001	البرغي	1	46	00670-07005	حلقة منع التسرب M5	1	-
20	00216-07240	لوحة الاحتجاز	1	47	01084-07005	أنبوب بلاستيكي مقاس 4مم (150 مم)	-	-
21	07003-00042*	الحلقة الدائرية	1	48	01524-07005	صمام FESTO	1	-
22	00041-07005	الموصل	1	49	00176-07001	البرغي	3	-
23	00065-07003	الفلكة	1	50	00292-07007	BSP بالغطاء الأحمر مقاس 1/4 بوصة	1	-
24	00220-07240	لوحة الحماية	1	51	00647-07005	الموصل	1	-
25	00375-07001	البرغي	2	52	01085-07005	أنبوب بلاستيكي مقاس 6مم (150 مم)	-	-
26	00238-07003	الحلقة الدائرية	1	53	00855-07005	مجموعة الحاجز	1	-
27	00396-07001	البرغي	4	54	02022-73200	ملصق السلامة	1	-

7. التجهيز

تعد عملية التحضير "دائمًا" ضرورية بعد القيام بفك الأداة وقبل تشغيلها. قد يكون من الضروري استعادة الشوط الكامل بعد الاستخدام الواسع، ويمكن حينئذ خفض الشوط و لن يتم تركيب أدوات التثبيت بالكامل من خلال تشغيل مفتاح التشغيل مرة واحدة.

7.1 تفاصيل الزيت

الزيت الموصى به للتشغيل هو زيت Hyspin® VG32 و AWS 32 المتوفر في 0.5 لتر (رقم الجزء 00002-07992) أو عبوات جالون واحد (رقم الجزء 00006-07992). يُرجى الاطلاع على بيانات السلامة الموضحة أدناه.

7.2 بيانات سلامة زيت Hyspin® VG32 و AWS 32

الإسعافات الأولية

البشرة:

يتعين غسلها جيدًا بالماء والصابون في أقرب وقت ممكن عمليًا. لا يتطلب الاتصال غير الرسمي الانتباه الفوري. الاتصال قصير المدى لا يتطلب انتباهًا فوريًا.

البلع:

يتعين طلب الاهتمام الطبي على الفور. لا تعتمد القيء.

العيان:

يتعين غسل بالماء على الفور لعدة دقائق. على الرغم من أنه ليس تهيجًا أوليًا، إلا أنه قد يحدث تهيج بسيط عقب ملامسته.

الحريق

مواد الإطفاء المناسبة: ثاني أكسيد الكربون، أو البودرة الجافة، أو المسحوق الرغوي أو رذاذ المياه. لا تستخدم رشاشات المياه.

البيئة

التخلص من المخلفات: عبر متعاقد معتمد إلى موقع مرخص. قد يتم الاحتراق. المنتجات المستخدمة قد يتم إرسالها للإصلاح. التسرب: يمنع الدخول في المجاري والمصارف أو المجاري المائية. يتم الامتصاص باستخدام مادة ماصة.

التعامل معه

ارتدِ واقى العينين والقفازات غير النفاذة (على سبيل المثال من مادة PVC) ومئزر بلاستيكي. استخدمه في منطقة جيدة التهوية.

التخزين

لا توجد تدابير خاصة.

7.3 إجراء التجهيز

مهم

لا تقم بتشغيل زناد التشغيل بينما تقوم بإزالة برغي التصريف
يتعين تنفيذ كل العمليات على طاولة نظيفة وبأيدٍ نظيفة في بيئة نظيفة.
تأكد من أن الزيت الجديد نظيف تمامًا وخالي من فقاعات الهواء.
يتعين توخي الحذر في جميع الأوقات، وذلك لضمان عدم دخول عناصر غريبة في الأداة أو قد تحدث تلفيات بالغة.

- قم بفك البرغي 2 ومانع التسرب 1 من لوحة الغطاء البلاستيكي 4 على خزان المكثف.
- صب زيت التجهيز في الخزان حتى يصبح على بعد حوالي 2/1 بوصة (12 مم) من الجزء العلوي.
- استبدل البرغي 2 والسدادة 1.
- قم بتوصيل وحدة المكثف بمصدر إمداد الهواء. قم بإزالة البرغي من الخزان.
- مع تركيب وحدة المسدس 07536 في وحدة المكثف وتثبيتها أسفل مستوى وحدة المكثف، قم بفك مسمار التصريف 64 من مجموعة سدادة التصريف 43 في أداة 07536 بمقدار لفتين مع السماح للزيت بالتدفق خارج الأداة.
- عندما يتسرب الزيت بحرية وعندما يكون خاليًا من فقاعات الهواء، اربط مسمار التصريف.
- قم بتعبئة الخزان الموجود في وحدة المكثف بزيت التجهيز.
- قم بتدوير الأداة حتى يتم طرد أي فقاعات هواء موجودة في الزيت في خزان الزيت.

ملاحظات

9. بيان المطابقة لتعليمات المجموعة الأوروبية (EC)

نعلن نحن، **Stanley Engineered Fastening** و **Stanley House** و **Works Road** و **Letchworth Garden City** و **Hertfordshire**، **SG6 1JY UNITED KINGDOM** بموجب مسؤوليتنا الفردية أن المنتج:

الوصف: أداة التكرار المائية الهوائية للبراشيم السريعة

الطراز: 07536

الذي يرتبط به هذا الإعلان متوافق مع المعايير المتسقة التالية:

EN ISO 3744:2010	ISO 12100:2010
EN ISO 11148-1:2011	EN ISO 11202:2010
BS EN 28662-1:1993	EN ISO 4413:2010
EN ISO 20643:2008+A1:2012	EN ISO 4414:2010
ES100118-المراجعة 17:2017	EN ISO 28927-5:2009+A1:2015

تم تأليف الوثائق الفنية وفقاً للملحق VII ، وفقاً للمعيار التالي: **EC/42/2006** توجيه الماكينات (الأدوات القانونية 2008 رقم 1597 - توفير مراجع لوائح توفير الماكينات (السلامة)).

قام الموقع أدناه بإجراء إعلان المطابقة هذا نيابة عن شركة **STANLEY Engineered Fastening**



أيه كيه سيوراج

مدير قسم الهندسة، المملكة المتحدة

,Avdel UK Limited, Stanley House, Works Road, Letchworth Garden City, Hertfordshire
SG6 1JY UNITED KINGDOM

مكان الإصدار: Letchworth Garden City, UK

تاريخ الإصدار: 2021-01-01

الشخص الموقع أدناه مسؤول عن إعداد الملف الفني للمنتجات المخصصة للبيع في الاتحاد الأوروبي ويقوم بهذا الإعلان نيابة عن شركة **Stanley Engineered Fastening**.

ماتياس أبيل

قائد فريق التوثيق الفني

,Stanley Engineered Fastening, Tucker GmbH, Max-Eyth-Str. 1
Gießen 35394 ، ألمانيا

هذا الجهاز متوافق مع
توجيه الماكينات رقم EC/2006/42



STANLEY
Engineered Fastening

10. إعلان توافق المملكة المتحدة

نعلن نحن، Hertfordshire و Letchworth Garden City و Works Road و Stanley House و Stanley Engineered Fastening ،SG6 1JY UNITED ،KINGDOM بموجب مسؤوليتنا الفردية أن المنتج:

الوصف: أداة التكرار المانبة الهوائية للبراشيم السريعة

الطراز: 07536

الذي يرتبط به هذا الإعلان متوافق مع المعايير المحددة التالية:

EN ISO 3744:2010	ISO 12100:2010
EN ISO 11148-1:2011	EN ISO 11202:2010
BS EN 28662-1:1993	EN ISO 4413:2010
EN ISO 20643:2008+A1:2012	EN ISO 4414:2010
17:2017 ES100118-المراجعة	EN ISO 28927-5:2009+A1:2015

يتم تجميع الوثائق الفنية وفقاً للوائح توفير الآلات (السلامة) لعام 2008 ، 1597/S.I. 2008 (بصيغته المعدلة).

قام الموقع أدناه بإجراء إعلان المطابقة هذا نيابة عن شركة STANLEY Engineered Fastening



أيه كيه سيوراج

مدير قسم الهندسة، المملكة المتحدة

,Avdel UK Limited, Stanley House, Works Road, Letchworth Garden City, Hertfordshire
SG6 1JY UNITED KINGDOM

مكان الإصدار: Letchworth Garden City, UK

تاريخ الإصدار: 2021-01-01

هذا الجهاز متوافق مع
لوائح (السلامة) لتوريد الآلات لعام 2008 ،
S.I. 2008/1597 (حسب تعديلاته)

**UK
CA**

11. احم استثمارك!

ضمان أداة تثبيت البرايشم المخفية من Stanley® Engineered تضمن شركة STANLEY® Engineered Fastening أن جميع الأدوات الكهربائية قد تم تصنيعها بعناية وأنها خالية من العيوب في موادها وصنعتها في ظل الاستخدام العادي والصيانة لمدة سنة واحدة (1).

يسري هذا الضمان على فترة الشراء الأولى للأداة للاستخدام الأصلي فقط.

الاستثناءات:

التآكل والاهتراء الطبيعي.

يستثنى من تغطية الضمان عمليات الإصلاح والصيانة الدورية واستبدال أجزاء بسبب الاهتراء والتآكل الطبيعي.

سوء الاستخدام.

يُستثنى من تغطية الضمان العيوب أو الأضرار الناجمة عن التخزين أو التشغيل غير السليم أو ناجمة عن سوء استخدام أو حادث أو إهمال، كالأضرار المادية.

التعديل أو الصيانة غير المعتمدة.

يستثنى من تغطية الضمان العيوب أو الأضرار الناجمة عن عمليات الصيانة أو اختبارات الضبط أو التركيب أو الصيانة أو التغيير أو التعديل بواسطة أي طرف آخر خلاف شركة STANLEY® Engineered Fastening أو مراكز الصيانة المعتمدة التابعة لها.

كما يُستثنى من هذا الضمان جميع الضمانات الأخرى، الصريحة أو الضمنية، بما في ذلك أي ضمانات خاصة بالترويج أو الملائمة لأغراض تم استثنائها في هذا الضمان.

في حالة عدم توافر شروط الضمان الخاص بهذه الأداة، يُرجى إعادتها على الفور إلى أقرب موقع لمركز خدمة معتمد تابع لمصنعا. وللاطلاع على قائمة بمراكز الصيانة المعتمدة التابعة لشركة STANLEY® Engineered Fastening في الولايات المتحدة أو كندا، يُرجى الاتصال بنا على رقم الاتصال المجاني 1 (877)364 2781.

ومن خارج الولايات المتحدة وكندا، يُرجى زيارة موقعنا على الويب www.StanleyEngineeredFastening.com لتعرّف على أقرب موقع تابع لشركة STANLEY Engineered Fastening.

وحيث أننا سنتكفل شركة STANLEY Engineered Fastening وبدون أي تكاليف باستبدال أي جزء أو أجزاء نكتشف أنها معيبة بسبب مادة أو صناعة معيبة وإعادة الأداة التي تم دفع الأموال لها مسبقاً. وهذا هو التزامنا الوحيد بموجب هذا الضمان.

لا تتحمل شركة STANLEY Engineered Fastening تحت أي ظرف من الظروف أي مسؤولية عن الأضرار التبعية أو الخاصة التي تنشأ عن شراء هذه الأداة أو استخدامها.

تسجيل أداة تثبيت البرايشم القابلة للقص على الإنترنت.

لتسجيل الضمان الخاص بك عبر الإنترنت، يُرجى زيارتنا على الموقع الإلكتروني

<https://www.stanleyengineeredfastening.com/support/warranty-registration-form>

شكراً لاختيارك أداة العلامة التجارية Stanley Assembly Technologies من شركة STANLEY® Engineered Fastening.

©2021 Stanley Black & Decker inc.
Visas tiesības aizsargātas.

Šeit sniegto informāciju nedrīkst nekādā veidā un ar nekādiem līdzekļiem (elektroniski vai mehāniski) pavairot un/vai publiskot bez uzņēmuma STANLEY Engineered Fastening iepriekšējas skaidri izteiktas un rakstiskas atļaujas. Sniegtās informācijas pamatā ir dati, kas zināmi šī izstrādājuma ieviešanas brīdī. Uzņēmums STANLEY Engineered Fastening īsteno nepārtrauktu izstrādājumu uzlabošanas politiku un tādēļ izstrādājumiem var tikt veiktas izmaiņas. Šī informācija attiecas uz izstrādājumu, kā to paredzējis uzņēmums STANLEY Engineered Fastening. Tāpēc STANLEY Engineered Fastening neuzņemas atbildību par zaudējumiem, kas radušies, novirzoties no izstrādājuma sākotnējiem tehniskajiem datiem.

Pieejamā informācija ir sastādīta ar vislielāko rūpību. Tomēr STANLEY Engineered Fastening neatbild par informācijas nepilnībām un no tā izrietošām sekām. STANLEY Engineered Fastening neatbild par bojājumiem, kas radušies trešo pušu veiktu darbību rezultātā. Darba nosaukumus, komercnosaukumus, reģistrētas preču zīmes u. c., ko izmanto uzņēmums STANLEY Engineered Fastening, nedrīkst uzskatīt kā brīvi lietojamus saskaņā ar tiesību aktiem par preču zīmju aizsardzību.

1. DROŠĪBAS DEFINĪCIJAS	272
1.1. VISPĀRĪGI DROŠĪBAS NOTEIKUMI	272
1.2. GAISĀ IZSVIESTU PRIEKŠMETU RADĪTI RISKI	272
1.3. AR DARBU SAISTĪTI RISKI	273
1.4. ATKĀRTOTU KUSTĪBU RADĪTI RISKI	273
1.5. AR PAPILDAPRĪKOJUMU SAISTĪTI RISKI	273
1.6. AR DARBA ZONU SAISTĪTI RISKI	273
1.7. AR TROKSNI SAISTĪTI RISKI	273
1.8. AR VIBRĀCIJU SAISTĪTI RISKI	274
1.9. PAPILDU DROŠĪBAS NORĀDĪJUMI PNEIMATISKAJIEM UN HIDRAULISKAJIEM INSTRUMENTIEM	274
2. SPECIFIKĀCIJAS	275
2.1. 07536 INSTRUMENTA SPECIFIKĀCIJAS	275
2.2. 07531 PASTIPRINĀTĀJA SPECIFIKĀCIJAS	275
3. PAREDZĒTĀ LIETOŠANA	276
3.1. INSTRUMENTA IZMĒRI — 07536 MODELIS	276
4. EKSPLOATĀCIJAS SĀKŠANA	277
4.1. GAISA PADEVE	277
4.2. GAISA KURSORI	278
4.3. INSTRUMENTA PIELĀDĒŠANA UN ATKĀRTOTA PIELĀDĒŠANA	278
4.4. EKSPLOATĀCIJAS KĀRTĪBA	280
5. INSTRUMENTA APKOPE	281
5.1. PNEIMATISKĀS VADĪBAS KĀRBA	281
5.2. IKDIENAS APKOPE	281
5.3. IKNEDĒĻAS APKOPE	281
5.4. MOLIBDĒNU SATUROŠA LITIJA SMĒRVIELA EP 3753 — DROŠĪBAS DATI	281
5.5. APKOPES KOMPLEKTS	282
5.6. GAISA KURSORA INSTRUMENTS, PASTIPRINĀTĀJS UN VADĪBAS BLOKS 07536-02100	283
6. APKOPE	284
6.1. 07536-02200 DEMONTĀŽA	284
6.2. PAMATINSTRUMENTA 07536-02200 VISPĀRĪGĀ MONTĀŽA	286
6.3. PAMATINSTRUMENTA 07536-02200 DETAĻU SARAKSTS	287
6.4. DEMONTĀŽAS NORĀDĪJUMI	288
6.5. VIDES AIZSARDZĪBA	289
6.6. PASTIPRINĀTĀJS 07531-02200	289
7. UZPILDĪŠANA	291
7.1. INFORMĀCIJA PAR EĻĻU	291
7.2. HYPIN® VG32 UN AWS 32 EĻĻAS DROŠĪBAS DATI	291
7.3. UZPILDĪŠANAS PROCEDŪRA	291
8. KĻŪDU DIAGNOSTIKA	292
9. EK ATBILSTĪBAS DEKLARĀCIJA	294
10. APVIENOTĀS KARALISTES ATBILSTĪBAS DEKLARĀCIJA	295
11. AIZSARGĀJIET VĒRTĪGO IEGULDĪJUMU!	296



Ši lietošanas rokasgrāmata ir jāizlasa visām personām, kas uzstāda vai lieto šo instrumentu, īpaši ievērojot turpmāk redzamos drošības noteikumus.



Strādājot ar instrumentu, vienmēr valkājiet triecienizturīgus acu aizsardzības līdzekļus. Vajadzīgā aizsardzības klase ir jānovērtē katram konkrētajam lietojumam.



Izmantojiet dzirdes aizsardzības līdzekļus atbilstīgi darba devēja norādījumiem un arodveselības un darba drošības prasībām.



Strādājot ar instrumentu, operatora rokas ir pakļautas riskam, tostarp saspiešanas, trieciena, sagriešanas, nobrāzumu un apdegumu riskam. Lai aizsargātu rokas, valkājiet piemērotus cimdus.

1. DROŠĪBAS DEFINĪCIJAS

Turpmāk redzamajās definīcijās izskaidrota signālvārdu nopietnības pakāpe. Lūdzu, izlasiet šo rokasgrāmatu un pievērsiet uzmanību šiem apzīmējumiem.

⚠ BĪSTAMI! Norāda draudošu bīstamu situāciju, kuras rezultātā, ja to nenovērš, iestājas nāve vai tiek gūti smagi ievainojumi.

⚠ BRĪDINĀJUMS! Norāda iespējami bīstamu situāciju, kuras rezultātā, ja to nenovērš, var iestāties nāve vai gūt smagus ievainojumus.

⚠ UZMANĪBU! Norāda iespējami bīstamu situāciju, kuras rezultātā, ja to nenovērš, var gūt nelielus vai vidēji smagus ievainojumus.

⚠ UZMANĪBU! Ja šo signālvārdu lieto bez brīdinājuma apzīmējuma par drošību, tas norāda iespējami bīstamu situāciju, kuras rezultātā, ja to nenovērš, var radīt materiālos zaudējumus.

Šī izstrādājuma nepareizas ekspluatācijas vai apkopes rezultātā var gūt smagus ievainojumus un radīt materiālos zaudējumus. Pirms instrumenta lietošanas izlasiet un izprotiet visus brīdinājumus un ekspluatācijas norādījumus. Ekspluatējot elektroinstrumentus, vienmēr jāievēro galvenie drošības noteikumi, lai mazinātu ievainojuma risku.

SAGLABĀJIET VISUS BRĪDINĀJUMUS UN NORĀDĪJUMUS TURPMĀKĀM UZZIŅĀM

1.1. VISPĀRĪGI DROŠĪBAS NOTEIKUMI

- Attiecībā uz vairākiem riskiem izlasiet un izprotiet drošības norādījumus pirms instrumenta uzstādīšanas, ekspluatācijas, remontēšanas, apkopes, piederumu nomaiņas vai darbošanās instrumenta tuvumā. Pretējā gadījumā var gūt smagus ievainojumus.
- Instrumentu drīkst uzstādīt, regulēt un lietot tikai kvalificēti un apmācīti lietotāji.
- Neizmantojiet instrumentu citiem nolūkiem, kā tikai tiem, ko noteicis uzņēmums STANLEY Engineered Fastening.
- Izmantojiet tikai ražotāja ieteiktās detaļas, stiprinājumus un piederumus.
- Instrumentu nedrīkst pārveidot. Visi pārveidojumi var mazināt drošības pasākumu efektivitāti un palielināt riskus, kam pakļauts operators. Ja klients pārveido instrumentu, viņš pilnībā uzņemas atbildību par to, un visas attiecināmās garantijas zaudē spēku.
- Neizmetiet drošības norādījumus atkritumos; izsniedziet tos operatoram.
- Nestrādājiet ar instrumentu, ja tas ir bojāts.
- Pirms lietošanas pārbaudiet, vai kustīgās detaļas ir pareizi savienotas un nostiprinātas, vai detaļas nav bojātas, kā arī vai nav kāds cits apstāklis, kas varētu ietekmēt instrumenta darbību. Ja instruments ir bojāts, pirms ekspluatācijas tas ir jāsalabo. Pirms lietošanas noņemiet visas regulēšanas vai uzgriežņatslēgas.
- Instrumenti ir regulāri jāpārbauda, lai pārlicinātos, vai šajā standarta ISO 11148 daļā noteiktie vērtējumi un marķējumi uz instrumenta ir skaidri redzami. Vajadzības gadījumā darba devējam vai lietotājam ir jāsaazinās ar ražotāju, lai iegūtu jaunas marķējuma uzlīmes.
- Apmācītiem speciālistiem vienmēr jāuztur instruments drošā darba stāvoklī un regulāri jāpārbauda, vai nav bojājumu vai darbības traucējumu. Instrumenta izjaukšanu drīkst veikt tikai apmācīti speciālisti. Instrumentu drīkst izjaukt tikai tad, ja vispirms ir izlasīti apkopes norādījumi.

1.2. GAISĀ IZSVIESTU PRIEKŠMETU RADĪTI RISKI

- Pirms apkopes veikšanas, regulēšanas vai priekšgala aprīkojuma vai piederumu uzstādīšanas vai noņemšanas gaisa padeve ir jāatvieno no instrumenta.
- Darba materiāla vai piederumu kļūmes dēļ vai nepareizi ievietojot instrumentu, gaisā var tikt izsviestas šķembas.
- Strādājot ar instrumentu, vienmēr valkājiet triecienizturīgus acu aizsardzības līdzekļus. Vajadzīgā aizsardzības klase ir jānovērtē katram konkrētajam lietojumam.
- Vienlaikus jāizvērtē arī citām personām radītie riski.
- Apstrādājamajam materiālam ir jābūt cieši nostiprinātam.

- Pārbaudiet, vai stiprinājumu un/vai tapņu izmešanas aizsarglīdzekļi ir uzstādīti un darbojas.
- Brīdiniet apkārtējos par tapņu iespējamu spēcīgu izmešanu no instrumenta priekšdaļas.
- Darba laikā nevērsiet instrumentu pret citu(-ām) personu(-ām).

1.3. AR DARBU SAISTĪTI RISKI

- Strādājot ar instrumentu, operatora rokas ir pakļautas riskam, tostarp saspiešanas, trieciena, sagriešanas, nobrāzumu un apdegumu riskam. Lai aizsargātu rokas, valkājiet piemērotus cimdus.
- Operatoriem un apkopes personālam ir jāspēj fiziski apieties ar instrumenta gabarītiem, svaru un jaudu.
- Turiet instrumentu pareizi; esiet gatavs līdzsvarot parastu vai spēju instrumenta kustību, kā arī turēt to ar abām rokām.
- Rūpējieties, lai instrumenta rokturi vienmēr būtu sausi, tīri un uz tiem nebūtu smērvielu.
- Strādājot ar instrumentu, saglabājiet līdzsvarotu ķermeņa pozīciju un stabilu stāju.
- Ja ir pārtraukta hidrauliskā padeve, atļaidiet instrumenta iedarbināšanas un apturēšanas mehānismu.
- Lietojiet tikai ražotāja ieteiktās smērvielas.
- Uzmanieties, lai nenonāktu saskarē ar hidraulisko šķidrumu. Ja tomēr nonākat saskarē ar hidraulisko šķidrumu, rūpīgi mazgājiet skarto vietu, lai nerastos izsitumi uz ādas.
- Šī instrumenta piegādātājs pēc pieprasījuma sniedz materiālu drošības datu lapas par hidrauliskajām eļļām un smērvielām.
- Neieņemiet nepiemērotu ķermeņa pozīciju, citādi pastāv lielāka iespējamība, ka nevarēsiet līdzsvarot normālu vai spēju instrumenta kustību.
- Ja instruments ir iestiprināts iekarē, pārliecinieties, vai tas ir droši nofiksēts.
- Ja nav uzstādīts priekšgala aprikojums, pastāv sadragāšanas vai saspiešanas risks.
- Ar instrumentu nedrīkst strādāt, ja ir noņemts priekšgala aprikojums.
- Pirms darba sākšanas jāpārliecinās, vai ir pietiekami daudz vietas operatora rokām.
- Pārnēsājot instrumentu no vienas vietas uz otru, neturiet rokas uz slēdža, lai instrumentu nejauši neiedarbinātu.
- Nelietojiet instrumentu ļaunprātīgi, piemēram, to metot zemē vai lietojot āmura vietā.
- Jāievēro piesardzība, lai neizraisītu bīstamību nolauzto tapņu dēļ.

1.4. ATKĀRTOTU KUSTĪBU RADĪTI RISKI

- Strādājot ar instrumentu, operators var sajūst diskomfortu plaukstās, rokās, plecos, kaklā un citās ķermeņa daļās.
- Strādājot ar instrumentu, operatoram ieteicams ieņemt ērtu pozīciju, vienlaikus stāvēt stabili un izvairīties no neērtām vai nestabilām pozām. Ilgstoša darba laikā operatoram ir ieteicams mainīt pozu, lai nerastos diskomforts un nogurums.
- Ja operators izjūt tādus simptomus kā ilgstošs vai regulārs diskomforts, sāpes, pulsējošas vai smeldzošas sāpes, tirpšana, nejutīgums, dedzinoša sajūta vai stīvums, šādus brīdinājuma signālus nedrīkst ignorēt. Operatoram par tiem jāziņo darba devējam un jāvēršas pie kvalificēta veselības aprūpes speciālista.

1.5. AR PAPILDAPRĪKOJUMU SAISTĪTI RISKI

- Pirms priekšgala aprikojuma vai piederumu uzstādīšanas vai noņemšanas gaisa padeve ir jāatvieno no instrumenta.
- Izmantojiet tikai tādus piederumu un izejmateriālu izmērus un veidus, kādus instrumentam ir ieteicis ražotājs; neizmantojiet cita izmēra vai veida piederumus vai izejmateriālus.

1.6. AR DARBA ZONU SAISTĪTI RISKI

- Ievainojumi darba zonā galvenokārt rodas paslīdēšanas, paklupšanas un kritienu dēļ. Uzmanieties no slidenām virsmām, kas radušās instrumenta lietošanas rezultātā, kā arī no paklupšanas riska, ko izraisa gaisa padeves un hidrauliskās šļūtenes.
- Ievērojiet piesardzību nepazīstamās vietās. Var pastāvēt arī slēpti riski, piemēram, elektrības vai citi inženiertehniskie tīkli.
- Instruments nav paredzēts lietošanai potenciāli sprādzienbīstamā vidē, un tas nav izolēts pret saskari ar elektrisko strāvu.
- Pārliecinieties, vai tuvumā nav elektrības vadu, gāzes vadu utt., kas varētu radīt risku, ja tos sabojātu ar instrumentu.
- Valkājiet piemērotu apģērbu. Nevalkājiet pārāk brīvu apģērbu vai rotaslietas. Netuviniet matus, apģērbu un cimdus kustīgām detaļām. Brīvs apģērbs, rotaslietas vai gari mati var ieķerties kustīgajās detaļās.
- Jāievēro piesardzība, lai neizraisītu bīstamību nolauzto tapņu dēļ.

1.7. AR TROKSNI SAISTĪTI RISKI

- Augsts trokšņu līmenis var radīt neatgriezenisku dzirdes invaliditāti, kā arī citas problēmas, piemēram, tinītu (zvanišana, dūkšana, džinkstēšana vai sikšana ausīs). Tāpēc ir būtiski, lai tiktu veikts šī riska novērtējums un īstenoti atbilstīgi riska ierobežošanas pasākumi.
- Riska ierobežošanas pasākumos ietilpst, piemēram, skaņu slāpējoši materiāli, kas novērš apstrādājamā materiāla skanēšanu.
- Izmantojiet dzirdes aizsardzības līdzekļus atbilstīgi darba devēja norādījumiem un arodveselības un darba drošības prasībām.
- Eksploatējiet instrumentu un veiciet tam apkopi, kā norādīts šajā lietošanas rokasgrāmatā, lai lieki nepaaugstinātu trokšņa līmeni.

1.8. AR VIBRĀCIJU SAISTĪTI RISKI

- Vibrācija var izraisīt neatgriezeniskus plaukstu un roku nervu un asinsrites sistēmas bojājumus.
- Valkājiet siltu apģērbu, strādājot aukstumā, un rūpējieties, lai rokas būtu siltas un sausas.
- Ja pirkstos vai plaukstās parādās nejūtīgums, tirpšana, sāpes vai ādas bālums, pārtrauciet darbu ar instrumentu, ziņojiet par to darba devējam un vērsieties pie ārsta.
- Ja vien iespējams, balstiet instrumenta svaru uz statīva, spriegotāja vai izlīdzinātāja, jo tādējādi instrumentu varēsiet izmantot ar vieglāku satvērienu.

1.9. PAPILDU DROŠĪBAS NORĀDĪJUMI PNEIMATISKAJIEM UN HIDRAULISKAJIEM ELEKTROINSTRUMENTIEM

- Darba gaisa padeves spiediens nedrīkst pārsniegt 7 bārus (100 PSI).
- Gaisa zem spiediena var izraisīt smagus ievainojumus.
- Iedarbinātu instrumentu nedrīkst atstāt bez uzraudzības. Ja instruments netiek lietots, kā arī mainot piederumus vai veicot remontdarbus, atvienojiet gaisa šļūteni.
- Tapņu savācēja gaisa izplūdes atvere nedrīkst būt vērsta pret operatoru vai citām personām. Gaisu nedrīkst vērst pret sevi vai citām personām.
- Šļūteņu pātagveida kustība var izraisīt smagus ievainojumus. Vienmēr pārbaudiet, vai šļūtenes un savienojumi nav bojāti vai vaļīgi.
- Pirms darba pārbaudiet, vai nav bojāti gaisa vadi; visiem savienojumiem jābūt cieši nostiprinātiem. Nemetiet smagus priekšmetus uz šļūtenēm. Ass trieciens var izraisīt šļūteņu iekšējus bojājumus un būtiski saīsināt to kalpošanas laiku.
- Aukstam gaisam jābūt novirzītam prom no rokām.
- Izmantojot universālos griežamos savienojumus (izciļņsavienojumus), ir jābūt uzstādītām bloķēšanas tapām un jāizmanto pātagveida kustības ierobežošanas drošības kabeļi, lai izvairītos no iespējamās savienojuma kļūmes starp šļūteni un instrumentu vai citu šļūteni.
- Neceliet instrumentu aiz šļūtenes. Šim nolūkam izmantojiet instrumenta rokturi.
- Ventilācijas atveres nedrīkst būt nosprostotas vai nosegtas.
- Iztīriet netīrumus un svešķermeņus no instrumenta hidrauliskās sistēmas, citādi tie izraisīs darbības traucējumus.
- Eļļa zem spiediena var izraisīt smagus ievainojumus.
- Pirms lietošanas pārbaudiet, vai hidrauliskās šļūtenes nav bojātas. Visiem hidrauliskajiem savienojumiem pirms lietošanas ir jābūt tīriem, pilnībā savienotiem un cieši noslēgtiem. Nemetiet smagus priekšmetus uz šļūtenēm. Ass trieciens var izraisīt šļūteņu iekšējus bojājumus un būtiski saīsināt to kalpošanas laiku.
- Pastiprinātāju nedrīkst vilkt vai pārvietot, izmantojot šļūtenes. Vienmēr lietojiet instrumenta rokturi.
- Lietojiet tikai tīru eļļu un uzpildīšanas iekārtu.
- Drīkst izmantot tikai ieteiktos hidrauliskos šķidrumus.
- Hidrauliskā šķidruma maksimālā temperatūra pie iekārtas ir 100 °C (212 °F).

▲ BRĪDINĀJUMS! Kaut arī normālas un pareizas lietošanas rezultātā tapņi ir pakļauti nelielam nolietojumam un skrāpējumiem, tapņi ir regulāri jāpārbauda, vai nav novērojams pārmērīgs nolietojums un skrāpējumi, īpašu uzmanību pievēršot galvas diametram, aizmugurējo spīļu satveršanas zonai uz kāta, dziļiem robiem kātā vai tapņu deformācijai. Ja darba laikā tapnim rodas kāda nepilnība, tas var tikt ar spēku izsviests no instrumenta. Lietotājs atbild par laicīgu tapņu nomaiņu pirms pārmērīga nolietojuma pazīmju konstatēšanas un vienmēr pirms maksimālā kniedēšanas reižu skaita sasniegšanas. Sazinieties ar vietējo STANLEY Engineered Fastening pārstāvi, lai uzzinātu precīzu skaitu, izmērot caurvīlces spēku ar mūsu kalibrētu mērīšanas rīku.

STANLEY Engineered Fastening īsteno nepārtrauktas izstrādājumu pilnveides un uzlabošanas politiku, tāpēc mēs paturam tiesības mainīt izstrādājumu tehniskos datus bez iepriekšēja brīdinājuma.

2. SPECIFIKĀCIJAS

2.1. 07536 INSTRUMENTA SPECIFIKĀCIJAS

Gaisa spiediens	Minimālais – maksimālais	5–7 bāri (70–100 lbf/in ²)
Nepieciešamais brīvā gaisa tilpums	pie 5,1 bāriem / 75 lbf/in ²	2,6 litri (0,09 ft ³)
Gājiens	Minimālais	25 mm (1 colla)
Vilkšanas spēks	pie 5,5 bāriem / 80 lbf/in ²	3,89 kN (875 lbf)
Cikla laiks	Aptuveni	1 sekunde
Svars	Pistole	1,2 kg (2,64 mārc.)

2.2. 07531 PASTIPRINĀTĀJA SPECIFIKĀCIJAS

Gaisa spiediens	Minimālais – maksimālais	5–7 bāri (70–100 lbf/in ²)
Pastiprināšanas koeficients		32:1

Trokšņa vērtības noteiktas saskaņā ar trokšņa pārbaudes kodeksu ISO 15744 un ISO 3744.		07536
A-izsvartais skaņas jaudas līmenis dB(A), L_{WA}	Trokšņa neprecizitāte: $k_{WA} = 2,3$ dB(A)	79,5 dB(A)
A-izsvartais skaņas spiediena emisijas līmenis darba stacijā dB(A), L_{pA}	Trokšņa neprecizitāte: $k_{pA} = 2,3$ dB(A)	68,5 dB(A)
C-izsvartais skaņas spiediena emisijas augstākais līmenis dB(C), L_{pC} , augstākajā punktā	Trokšņa neprecizitāte: $k_{pC} = 2,5$ dB(C)	96,9 dB(C)
Vibrācijas vērtības noteiktas saskaņā ar vibrāciju testa kodeksu ISO 20643 un ISO 5349.		07536
Vibrācijas emisijas līmenis, a_{hd} :	Vibrācijas neprecizitāte: $k = 0,25$ m/s ²	0,97 m/s ²
Deklarētās vibrācijas emisiju vērtības saskaņā ar EN 12096		

3. PAREDZĒTĀ LIETOŠANA

Pneimatiskais 07536 instruments ir viegls rokas instruments, kas paredzēts 1/16 collas Avlug® kniežu kniedēšanai, tāpēc tas ir ideāli piemērots sērīveida vai plūsmliņijas montāžai visdažādākajiem darbu veidiem un visu veidu nozarēs.

Rokas instruments un pastiprinātājs ir pārbaudīti gan kā atsevišķi elementi, gan apvienotā veidā. Tie ir obligāti jālieto kopā, un tos nevar izmantot citiem nolūkiem. Sīkāku informāciju par savienojumu skatiet sadaļā "Eksploatācijas sākšana" 277.–280. lpp.

Detāļu numuri ir norādīti, lai pasūtītu visu instrumentu, neskaitot priekšgala aprīkojuma.

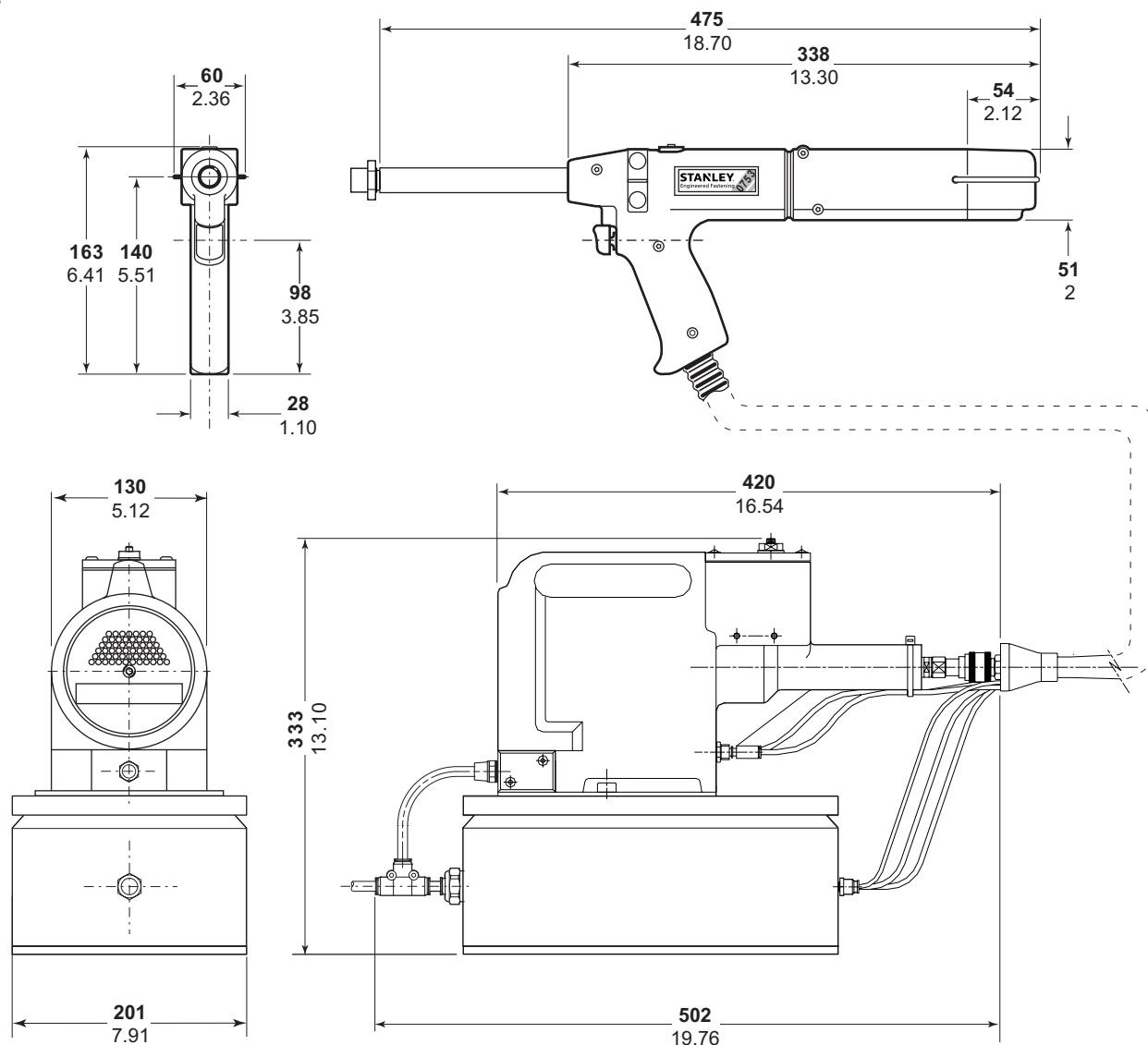
07536 modeļa instrumenta numurs ir 07536-02200.

Skatiet informāciju par vispārīgo montāžu 283.–290. lpp.

Nelietojiet mitros apstākļos vai viegli uzliesmojošu šķidrumu un gāzu klātbūtnē.

3.1. INSTRUMENTA IZMĒRI — 07536 MODELIS

Detāļu numurs 07536-02100



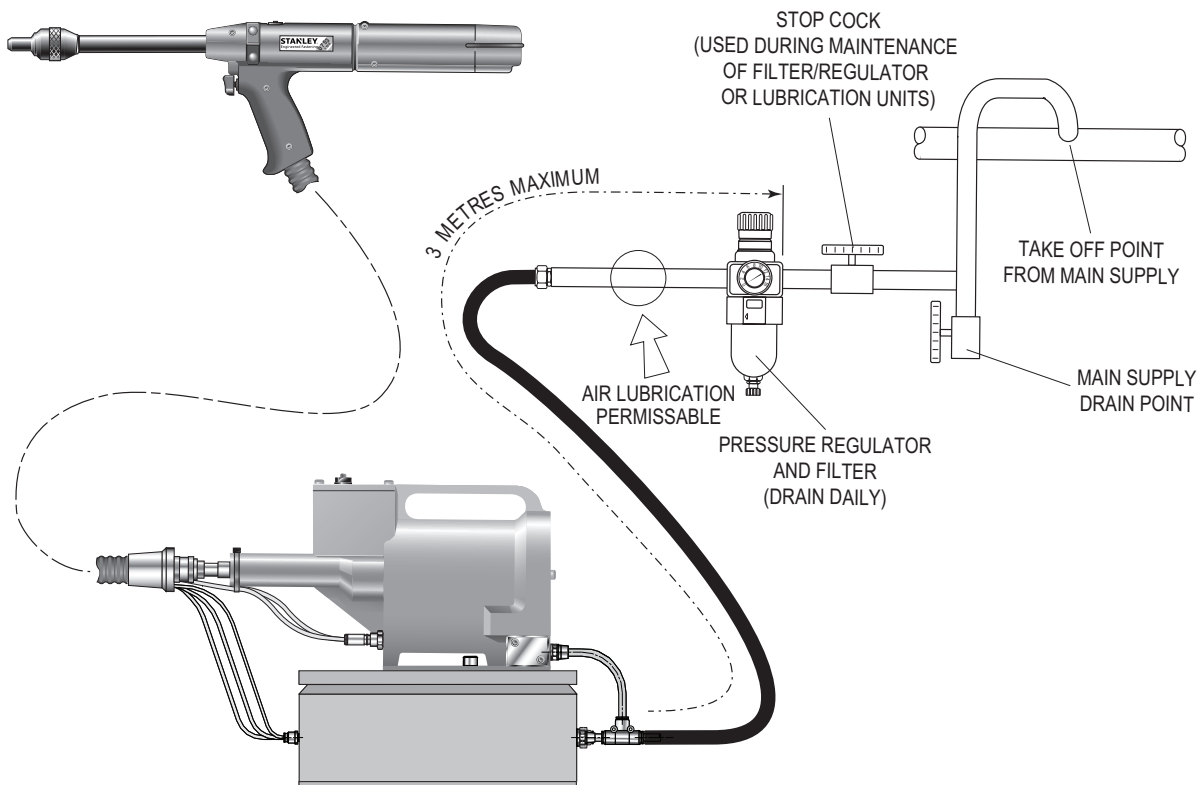
Izmēri milimetros.

4. EKSPLOATĀCIJAS SĀKŠANA

4.1. GAISA PADEVE

Visi instrumenti tiek darbināti ar saspiestu gaisu, kura optimālais spiediens ir 5,5 bāri. Galvenajai gaisa padevei ir ieteicams izmantot spiediena regulatorus un automātiskās eļļošanas/filtrēšanas sistēmas. Lai nodrošinātu maksimālu instrumenta darbību un minimālu vajadzību pēc apkopes, minētie elementi ir jāuzstāda 3 metru diapazonā no instrumenta (sk. diagrammu).

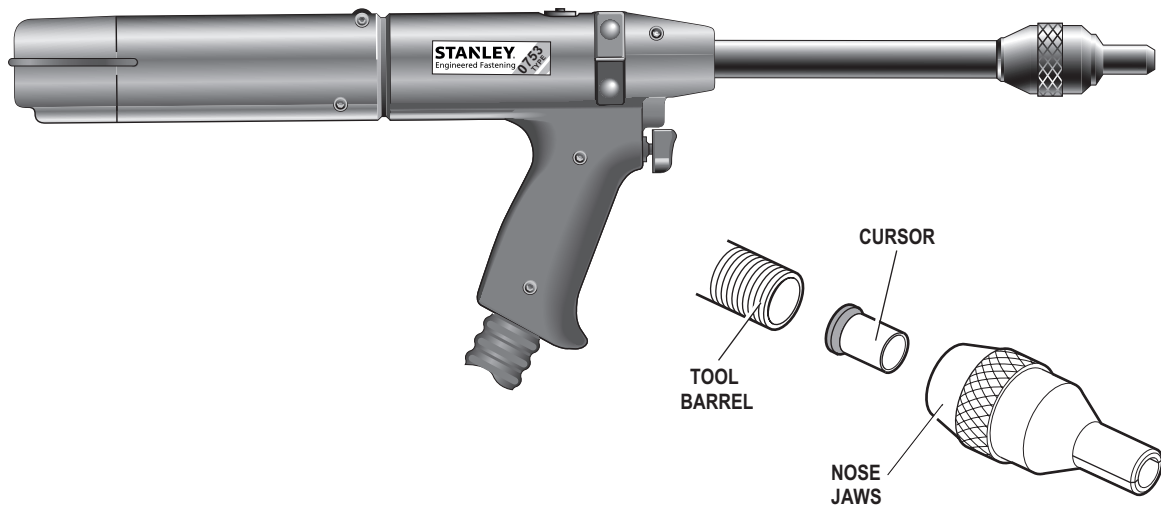
Gaisa padeves šļūtenju minimālais efektīvais darba spiediens ir vai nu 150 % no maksimālā sistēmas spiediena, vai 10 bāri — atkarībā no tā, kura vērtība ir lielāka. Gaisa padeves šļūtenēm jābūt eļļas izturīgām, ar nodilumizturīgu ārējo virsmu un stiegrotām, ja darba apstākļu ietekmē šļūtenes var tikt sabojātas. Visu gaisa padeves šļūtenju iekšējam diametram ir jābūt vismaz 6,4 mm jeb 1/4 collu lielam.



Savienojot instrumentu ar pastiprinātāju un galveno gaisa padevi, rīkojieties šādi.

- Iespiediet instrumenta lielās hidrauliskās šļūtenes galu ātri atbrīvojamā savienotājā, kas atrodas pastiprinātāja galā.
- Pastiprinātāja priekšpusē (sk. 283. lpp.):
 - Iespiediet zilo pneimatisko (ār. diam.: 4 mm) līniju reduktora savienotājā, kas atrodas kreisās puses starpsienas savienotājā.
 - Iespiediet melno pneimatisko (ār. diam.: 4 mm) līniju labās puses starpsienas savienotāja plastmasas ieliktnī.
- Vadības bloka priekšpusē (sk. 283. lpp.):
 - Iespiediet sudrabkrāsas pneimatisko (ār. diam.: 3 mm) līniju reduktorā, kas apzīmēts ar "Cursor", vadības bloka priekšpusē pa kreisi.
 - Iespiediet zaļo pneimatisko (ār. diam.: 4 mm) līniju reduktorā, kas apzīmēts ar "Tail Jaws", vadības bloka priekšpusē pa vidu.
 - Iespiediet balto pneimatisko (ār. diam.: 4 mm) līniju reduktorā, kas apzīmēts ar "Signal", vadības bloka priekšpusē pa labi.
- Uzstādiet pneimatisko šļūteni starp pastiprinātāja aizmugurē esošo vīrišķo savienotāju un galveno gaisa padevi.

4.2. GAISA KURSORI



Gaisa kursora izvēle

Sk. atsevišķu datu lapu 07900-00863 par priekšgala aprīkojuma komponentēm.

KURSORS

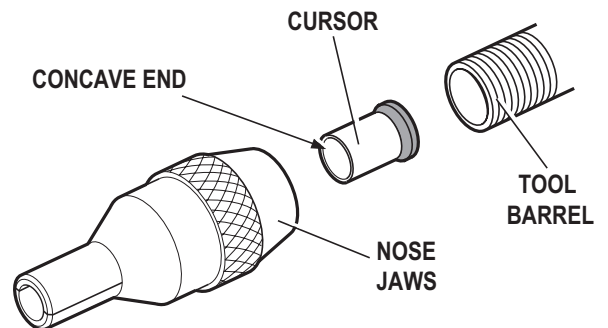
SVARĪGI!
Ja kursors ir uzstādīts nepareizi, tas neļauj pielādēt instrumentu un padot kniedes.

Kaut arī kursors ir uzstādīts pareizi jaunam instrumentam, ieteicams pārbaudīt tā ievirzi pirms priekšgala aprīkojuma uzstādīšanas. Mazliet ieliektajam kursora galam jābūt vērstam pret instrumenta priekšgalu, kā norādīts attēlā.

Lai apvērstu kursoru otrādi, rīkojieties šādi.

Jāievēro ārkārtīga piesardzība, veicot tālāk minēto procedūru. Jāuzmanās, lai izvairītos no čaulas un izvirzītā tapņa.

- Noņemiet priekšgala aprīkojumu, ja ir uzstādīts.
- Pilnībā ievietojiet tukšu tapni instrumentā.
- Aizveriet aizmugurējās spīles **32**, ieslēdzot aizmugurējo spīļu slēdzi (**18** un **19**).
- Kursors pēc īsa aizkaves brīža izvirzās no čaulas.
- Atzveriet aizmugurējās spīles **32**, izslēdzot aizmugurējo spīļu slēdzi (**18** un **19**). Šādi tiek atbrīvots tapnis.
- Noņemiet kursoru no tapņa un ievietojiet kursoru čaulā.



4.3. INSTRUMENTA PIELĀDĒŠANA UN ATKĀRTOTA PIELĀDĒŠANA

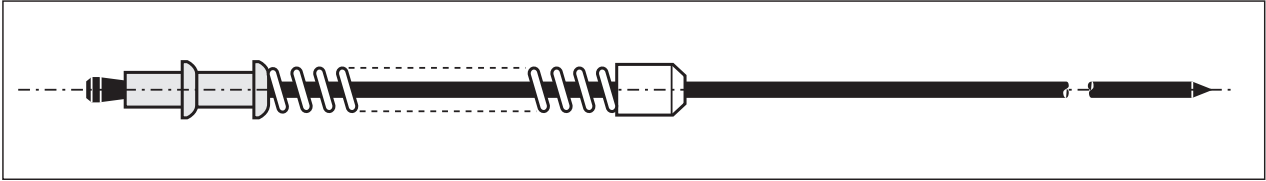
SVARĪGI!
Procedūra instrumenta pielādēšanai un priekšgala aprīkojuma uzstādīšanai uz instrumenta ir ļoti svarīga.

Pasūtot instrumentu vai sistēmu ar pilnu komplektāciju, parasti tiek piegādāts viss priekšgala aprīkojums, kas nepieciešams kniedes iedzišanai.

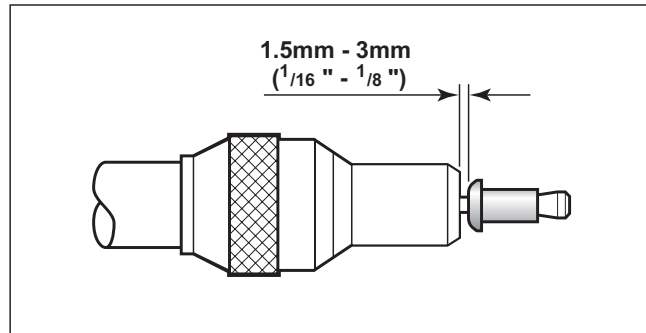
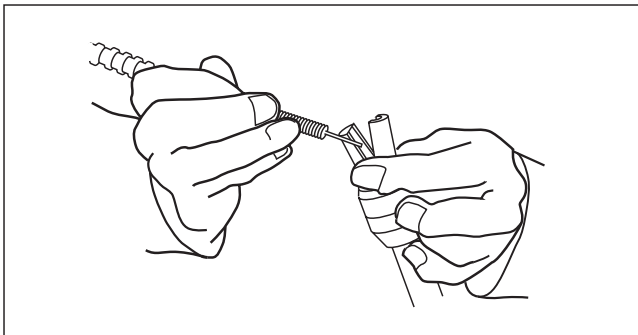
Ja komplektācijā ietilpst priekšgala spīles, tapņi un tapņa bīdītājas atsperes, pielādējiet instrumentu un uzstādiet priekšgala aprīkojumu, kā norādīts tālāk.

Instrumenta pielādēšana

- Pievienojiet instrumentam gaisa padevi.
- Atveriet aizmugurējās spīles **32**, ar kurām satverts tapnis, izslēdzot aizmugurējo spīļu slēdzi (**18** un **19**).
- Uzskrūvējiet izvēlētās priekšgala spīles uz instrumenta čaulas **44**.
- * Ievietojiet tapni kniežu aizmugurējā galā caur papīra čaulu.
- Uzstūmiet tapņa bīdītāju atsperi uz tapņa, ievērojot pareizu orientāciju.



- Satveriet tapņa aizmugurējo galu un noplēsiet papīra čaulu, kas aplikta ap kniedēm.
- Atveriet priekšgala spīles, pagriežot ārējo gredzenu izciļņpārslēdzēja spīlēm vai arī spiežot spīļu galus uz āru, kā norādīts tālāk attēlā pa kreisi.
- Ievietojiet priekšgala spīlēs iepriekš salikto tapni, tapņa bīdītāju atsperi un kniedes, līdz pirmā kniede, kas jāiedzen, ir izvirzīta no priekšgala spīlēm.
- Aizveriet priekšgala spīles un noregulējiet tā, lai pirmā kniede būtu izvirzīta par 1,5 mm – 3 mm ($1/16$ – $1/8$ collas), kā norādīts attēlā apakšējā labā stūrī.
- Aizveriet aizmugurējās spīles **32**, lai tapnis būtu satverts, ieslēdzot aizmugurējo spīļu slēdzi (**18** un **19**).



Instrumenta atkārtota pielādēšana

- Atveriet instrumenta aizmugurējās spīles **32**, izslēdzot aizmugurējo spīļu slēdzi (**18** un **19**).
- Atveriet priekšgala spīles un izvelciet no instrumenta tukšo tapni un tapņa bīdītāju atsperi.
- Atkārtoti pielādējiet instrumentu saskaņā ar iepriekš minētajiem norādījumiem, sākot no posma •*.

Instrumenta iestatīšana — tikai regulējamam priekšgala aprīkojumam

Ievietojiet iepriekš salikto tapni (sk. •* posmu sadaļā "Instrumenta pielādēšana") vai vienreiz lietojamo tapni pret aizmugurējo spīļu virzuļa mezgla **60** aizturi.

Turot tapni, aizveriet aizmugurējās spīles **32**, ar kurām satverts tapnis, ieslēdzot aizmugurējo spīļu slēdzi (**18** un **19**).

Uzskrūvējiet kontruzgriezni uz instrumenta čaulas **44**.

Uzskrūvējiet priekšgala aprīkojumu uz čaulas **44**.

Noregulējiet priekšgala aprīkojumu tā, lai pirmā kniede būtu izvirzīta par 1,5–3 mm ($1/16$ – $1/8$ collas), kā norādīts attēlā 279. lpp.

Pievelciet kontruzgriezni pret priekšgala aprīkojumu, lai priekšgala spīles nekustētos.

Instrumenta atkārtota pielādēšana

Atveriet instrumenta aizmugurējās spīles, izslēdzot aizmugurējo spīļu slēdzi (**18–19**).

Atveriet spīles un izvelciet no instrumenta tukšo tapni un tapņa bīdītāju atsperi.

Ievietojiet jaunu tapni pret aizturi instrumentā un aizveriet aizmugurējās spīles **32**, ar kurām satverts tapnis, ieslēdzot aizmugurējo spīļu slēdzi (**18 un 19**).

Aizveriet aizmugurējās spīles **32**.

4.4. EKSPLUATĀCIJAS KĀRTĪBA**SVARĪGI!**

Pirms instrumenta ekspluatācijas jāpārbauda, vai kursora ievirze un priekšgala aprīkojums ir pareizi.

- Iespiediet kniedi, kas izvirzīta no priekšgala spīlēm, līdz galam apstrādājamā materiāla caurumos, raugoties, lai instruments tiktu turēts taisni.
- Nospiediet mēlīti un neatlaidiet to — tapņa galva tiek izvilka caur kniedi, pareizi iestrādājot kniedi materiālā.
- Noņemiet instrumentu.
- Atlaidiet mēlīti. Nākamā kniede automātiski izvirzās un ir redzama priekšgala spīlēs, un ir gatava iedzišanai.

5. INSTRUMENTA APKOPE

Instrumentam ir jāveic regulāra apkope un reizi gadā vai ik pēc 500 000 cikliem — atkarībā no tā, kas notiek ātrāk, — ir jāveic pilnā pārbaude.

SVARĪGI!

Darba devējs ir atbildīgs par to, lai attiecīgajiem darbiniekiem tiktu sniegti norādījumi par instrumenta apkopi. Operators neveic instrumenta apkopi vai remontu, ja vien nav attiecīgi apmācīts to veikt.

5.1. PNEIMATISKĀS VADĪBAS KĀRBA

SVARĪGI!

Pneimatiskās vadības kārbu nekādā gadījumā nedrīkst atvērt. Šis bloks ir slēgts elements. Iekšējie iestatījumi ir iepriekš noteikti, un tos nedrīkst mainīt vai pārveidot. Vadības bloku drīkst demontēt tikai pilnvaroti STANLEY Engineered Fastening speciālisti.

⚠ UZMANĪBU! Instrumenta detaļu tīrīšanai, kas nav no metāla, nedrīkst izmantot šķīdinātājus vai citas asas ķīmiskas vielas. Šīs ķīmiskās vielas var sabojāt šo detaļu materiālu.

5.2. IKDIENAS APKOPE

- Katru dienu, pirms lietošanas vai pirmo reizi sākot ekspluatēt instrumentu, ielejiet pastiprinātāja gaisa ieplūdē dažus pilienus tīras smērēļļas, ja gaisa padeves sistēmā nav uzstādīts eļļotājs. Ja instruments darbojas nepārtraukti, ik pēc divām vai trim stundām jāatvieno gaisa šļūtene no galvenās gaisa padeves sistēmas un instruments ir jāeļļo.
- Pārbaudiet, vai nav gaisa un eļļas noplūdes. Jānomaina bojāti savienotāji un šļūtenes.
- Ja uz spiediena regulatora nav uzstādīts filtrs, pirms gaisa šļūtenes pievienošanas pastiprinātājam vispirms iztukšojiet gaisa vadu, lai no tā iztīrītu uzkrājušos netīrumus vai ūdeni. Ja ir uzstādīts filtrs, iztukšojiet to.
- Pārbaudiet, vai ir pareizais priekšgala aprīkojums.
- Regulāri pārbaudiet, vai tapņiem nav nodiluma vai bojājuma pazīmju, uzraugot iedzišanas reižu skaitu (sk. drošības norādījumus 272.–274. lpp.).

5.3. IKNEDĒĻAS APKOPE

- Veiciet visas ikdienas apkopes procedūras, kā aprakstīts iepriekš.
- Noņemiet, pārbaudiet, notīriet un ieeļļojiet aizmugurējās spīles (sk. sadaļas "Apkope" iedaļu "Aizmugurējo spīļu cilindrs" 284. lpp.).
- Pārbaudiet, vai eļļas līmenis pastiprinātāja bloka tvertnē ir aptuveni 12 mm (1/2 collas) zem caurspīdīgās pārsega plāksnes.

5.4. MOLIBDĒNU SATUROŠĀ LITIJA SMĒRVIELA EP 3753 — DROŠĪBAS DATI

Smērvielu var pasūtīt kā atsevišķu preci, detaļas numurs ir norādīts 282. lpp. sadaļā par apkopes komplektu.

Pirmā palīdzība

SASKARE AR ĀDU

Tā kā smērviela ir pilnībā ūdensizturīga, to vislabāk noņemt ar apstiprinātu emulģējošu ādas tīrīšanas līdzekli.

NORIŠANA

Lieciet cietušajam izdzert 30 ml magnija hidroksīda, vēlams, izšķīdinātu glāzē piena.

SASKARE AR ACĪM

Karinoša iedarbība bez bīstamības. Skalojiet ar ūdeni un meklējiet medicīnisku palīdzību.

Ugunsdrošība

UZLIESMOŠANAS PUNKTS: virs 220 °C.

Viela nav klasificēta kā uzliesmojoša.

Piemēroti ugunsdzēsšanas līdzekļi: CO₂, halona vai ūdens smidzināšana, ja to veic pieredzējis operators.

Vides aizsardzība

Savāciet, lai sadedzinātu vai utilizētu apstiprinātā savākšanas punktā.

Manipulācijas

Izmantojiet aizsargkrēmu vai pret eļļu izturīgus cimdus.

Uzglabāšana

Sargiet vielu no karstuma un oksidējošām vielām.

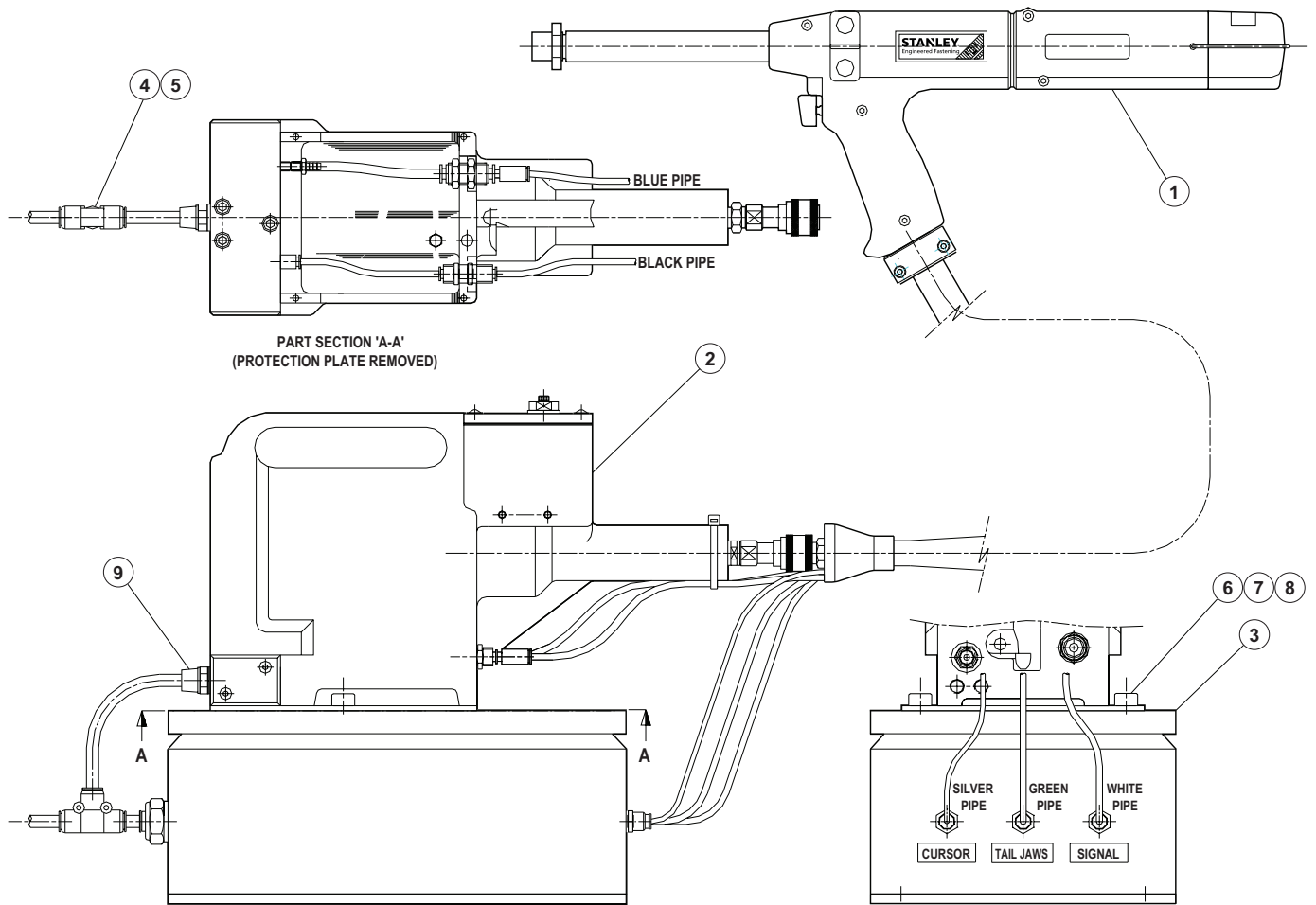
5.5. APKOPES KOMPLEKTS

Visām apkopēm ieteicams izmantot apkopes komplektu (detaļas numurs 07900-05300).

APKOPES KOMPLEKTS					
POZĪCIJAS DETAĻAS NR.	APRAKSTS	DAUDZ.	POZĪCIJAS DETAĻAS NR.	APRAKSTS	DAUDZ.
07900-00157	APAĻĀS KNAIBLES	1	07900-00352	BLĪVES NOŅEMŠANAS ĀĶIS	1
07900-00006	LĀPSTIŅA	1	07900-00710	ČAULAS AIZBĀŽŅA IZŅEMŠANAS ATSLĒGA	1
07900-00446	EKSTRAKTORS	1	07900-00725	LIGZDA	1
07900-00603	ČAULAS SKRŪVSPĪĻU SPĪLES	1	07900-00243	SKRŪVGRIEZIS	1
07900-00520	3/8" KĀTS	1	07900-00717	PASTIPRINĀTĀJA ATSLĒGA	1
07900-00521	1/4" KĀTS	1	07900-00013	1/8" SEŠSTŪRU UZGRIEŽŅATSLĒGA	1
07900-00602	GREDZENBLĪVES MONTĀŽAS LIGZDA	1	07900-00617	LOCTITE® MULTI-GASKET 574, 50 ml IEPAKOJUMS	1
07900-00595	18 mm UZGRIEŽŅATSLĒGA	1	07900-00469	2,5 mm SEŠSTŪRU UZGRIEŽŅATSLĒGA	1
07900-00434	32 mm UZGRIEŽŅATSLĒGA	1	07900-00351	3 mm SEŠSTŪRU UZGRIEŽŅATSLĒGA	1
07900-00237	3/8" × 5/16" B.S.W. UZGRIEŽŅATSLĒGA	1	07900-00224	4 mm SEŠSTŪRU UZGRIEŽŅATSLĒGA	1
07900-00012	9/16" × 5/8" UZGRIEŽŅATSLĒGA	1	07900-00225	5 mm SEŠSTŪRU UZGRIEŽŅATSLĒGA	1
07900-00008	7/16" × 1/2" UZGRIEŽŅATSLĒGA	1	07992-00020	80 g BUNDŽA AR MOLIBDĒNU SATUROŠU LITIJA SMĒRVIELU EP 3753	1

Piezīme. Uzgriežņatslēgu izmēri tiek noteikti pa plakni (A/F), ja vien nav norādīts citādi.

5.6. GAISA KURSORA INSTRUMENTS, PASTIPRINĀTĀJS UN VADĪBAS BLOKS 07536-02100



POZĪCIJA	DETAĻAS NR.	APRAKSTS	DAUDZ.
1	07536-02200	GAISA KURSORA ROKAS INSTRUMENTS	1
2	07531-02200	PASTIPRINĀTĀJA INSTRUMENTS	1
3	07007-02024	GAISA KURSORA VADĪBAS BLOKS	1
4	07005-10071	T VEIDA SAVIENOTĀJS	1
5	07005-10072	8 MM CAURULE (2,50 m)	1
6	74405-12080	MODIFICĒTS M8 NUTSERT	8
7	07001-00469	M8 × 15 CILINDRISKA GALVSKRŪVE	2
8	07002-00105	M8 WASHER	4
9	07005-01573	VĪRĪŠĶĀ SAVIENOTĀJA 8 MM CAURULE	1
10	07005-01977	VĪRĪŠĶAIS/SIEVIŠĶAIS REDUKTORS 6 MM / 4 MM	1

6. APKOPE

Ik pēc 500 000 cikliem instruments ir pilnībā jāizjauc un nolietotas vai bojātas detaļas, kā arī tādas, ko ieteicams periodiski mainīt, ir jānomaina pret jaunām. Visas gredzenblīves un blīves ir jāatjauno un jāapstrādā ar molibdēnu saturošu litija smērvielu EP 3753 pirms atkārtotas montāžas.

SVARĪGI!

Drošības norādījumus skatiet 4. lpp.

Darba devējs ir atbildīgs par to, lai attiecīgajiem darbiniekiem tiktu sniegti norādījumi par instrumenta apkopi. Operators neveic instrumenta apkopi vai remontu, ja vien nav attiecīgi apmācīts to veikt.

Gaisa līnija ir jāatvieno pirms apkopes vai demontāžas, ja vien nav īpaši norādīts citādi.

Demontāžu ieteicams veikt tīros apstākļos.

Pirms instrumenta demontāžas vispirms ir jānoņem priekšgala aprīkojums.

Lai veiktu pilnīgu instrumentu apkopi, ieteicams turpināt apakšmezglu demontāžu norādītajā secībā pēc tam, kad hidrauliskā šļūtene ir atvienota no pastiprinātāja bloka un gaisa līnijas ir atvienotas no pastiprinātāja un vadības bloka, tādējādi atdalot pistoles bloku no pastiprinātāja bloka.

Pirms apkopes ir jānotīra potenciāli bīstamas vietas, kas varētu būt uzkrājušās instrumentā un uz tā darba procesu rezultātā.

6.1. 07536-02200 DEMONTĀŽA

AIZMUGURĒJO SPĪĻU CILINDRS

- Manuāli pagrieziet fiksējošo skavu **53** uz augšu un noņemiet uzgali **59**.
- Ar sešstūru uzgriežņatslēgu* izskrūvējiet vienu galvskrūvi **6** tā, lai tiktu izvadīts aizmugurējo spīļu cilindriā iesprostotais gaiss. Izskrūvējiet otru galvskrūvi **6**.
- Izvelciet aizmugurējo aizbāzni **50**. **Piezīme.** Lai būtu vieglāk izvilkt, aizbāžņa aizmugurējā daļā ir 5 mm vītne.
- Izvelciet gaisa aizmugurējo spīļu komponentes, kas sastāv no aizmugurējo spīļu virzuļa mezgla **60**, aiztura **52**, gredzenblīves **12** un spīlēm **32**.
- Izvelciet atlikušās komponentes, kas sastāv no atsperes **36** un spīļu korpusa **42**.
- Atsperes **36** brīvajam garumam jābūt 38,1 mm (1,5 collas). Vajadzības gadījumā nomainiet.
- Noņemiet virzuļa mezgla gredzenblīvi **11**.
- Atvienojiet gaisa kursora krokcauruli (zaļa) **49** no lokveida savienojuma **22**.
- Atvienojiet gaisa kursora krokcauruli (sudrabkrāsas) **38** no apmales līkuma **30**.
- Ar sešstūru uzgriežņatslēgu* izskrūvējiet no instrumenta roktura uzlikas visas piecas roktura stiprinājuma skrūves **3, 4** un noņemiet visus četrus uzgriežņus **8**.
- Satveriet čaulu **44** skrūvspīlēs ar mīkstām spailēm, lai izvairītos no bojājumiem.
- Ar mucīņatslēgu* atskrūvējiet čaulas aizbāzni **46**, turot čaulu **44** ar galatslēgu*, lai tā negrieztos.
- Novelciet aizmugurējo spīļu cilindru **47** nost no instrumenta.
- Noņemiet gredzenblīvi **14**, ieklāju **41** un cilindra atvilkšanas atsperi **37**.
- Pirms montāžas pārklājiet aizmugurējo spīļu **32** virsmu, kas pieskaras spīļu korpusam **42**, ar molibdēnu saturošu litija smērvielu.
- Lai samontētu, veiciet demontāžas procesu apgrieztā secībā.

HIDRAULISKAIS VIRZULIS

- Noņemiet aizmugurējo spīļu cilindru **47**, kā aprakstīts iepriekš.
- Satveriet korpusu **45** skrūvspīlēs ar mīkstām spailēm, lai izvairītos no bojājumiem; atvienojiet gājiena ierobežotāju **40**.
- Ar sešstūru uzgriežņatslēgu* atskrūvējiet skrūvi **5**, ar kuru slēdža bloks **54** ir piestiprināts pie cilindra **44**.

* Attiecas uz 0753 MklI apkopes komplektā iekļautajiem piederumiem. Pilnu sarakstu sk. 282. lpp.

Pozīciju numuri **treknrakstā** attiecas uz vispārīgo montāžu un detaļu sarakstu 286.–287. lpp.

- Stingri turiet instrumentu un novelciet čaulu **44** nost no korpusa **45** (neliels daudzums hidrauliskās eļļas tiek izspiests no galvas mezgla).
- Uzmanīgi noņemiet virzuli **39**, lai nesabojātu galvas atveri.
- Noņemiet blīvi **16**.
- Blīvi **17** ir grūti noņemt, to nesabojājot, bet tīrīšanas laikā tā var palikt vietā (ja tīrīšanas process to neietekmē). Ja tomēr blīve **17** ir jānomaina, rīkojieties šādi.
- Ar lāpstīņu* izņemiet blīvi **17** no korpusa **45**, uzmanoties, lai nesabojātu korpusa dobumu un atveres. Noņemtā blīve **17** ir jāznīcina.
- Lai nomainītu blīvi **17**, atskrūvējiet atgaisošanas aizbāzni **43** līdz iekšpuses priekšējā virsma ir vienā līmenī ar korpusa **45** iekšējo atveri. Tas izveido vienmērīgu kanālu jaunas blīves **17** ievietošanai caur korpusa **45** aizmuguri.
- Blīvei **17** ir jābūt labi ieeļļotai un pareizi novietotai tā, lai blīves atvērtais gals būtu vērsts pret aizmugurējo spīļu aizmugurējo daļu.
- Lai samontētu, veiciet demontāžas procesu apgrieztā secībā.

MĒLĪTES MEZGLS

- Lai demontētu/apkoptu mezglu, noņemiet instrumentam pārsegu, kā norādīts iepriekš.
- Atvienojiet visas gaisa šļūtenes no mezgla, rīkojoties uzmanīgi, lai tās nesabojātu. Noņemiet mezglu.
- Ar uzgriežņatslēgu* atskrūvējiet aizmuguri **34** un noņemiet. Parūpējieties par atsperes saglabāšanu **31**.
- Atstumiet gredzenblīvi **10**, uzmanoties, lai nesabojātu vārpstas **35** un aizmuguri **34** ligzdas.
- Notīriet un samontējiet atpakaļ, izmantojot jaunu gredzenblīvi **10**.
- Pārbaudiet atsperes **31** garumu, kam jābūt 12,7 mm (0,5") brīvam garumam; vajadzības gadījumā nomainiet.
- Lai samontētu, veiciet demontāžas procesu apgrieztā secībā.

AIZMUGURĒJO SPĪĻU IESLĒGŠANAS/IZSLĒGŠANAS VĀRSTS

- Iekārta ir konstruēta tā, lai instrumenta kalpošanas laikā būtu nepieciešama minimāla apkope.
- Ja ir jāizjauc vārsts, rīkojieties šādi.
- Noņemiet mēlītes korpusu **56**, kā norādīts sadaļā "Hidrauliskais virzulis".
- Ar skrūvgriezi* uzmanīgi noņemiet hromēto zvaigzņveida paplāksni **18** no gaisa aizmugurējo spīļu spoles **55** un izmetiet paplāksni.
- Izvelciet gaisa aizmugurējo spīļu spoli **55** no slēdža bloka **54**.
- Ievērojot piesardzību, lai nesabojātu gaisa aizmugurējo spīļu spoli **55**, noņemiet gredzenblīves **12**.
- Notīriet spoli un uzmontējiet jaunas gredzenblīves **12**, izmantojot montāžas ligzdu*, un ievietojiet slēdža blokā **54**, ievērojot tā ievirzi.
- Lai novērstu bojājumus, uzstādiet jauno hromēto zvaigzņveida paplāksni **18**, satverot to skrūvspilēs ar mīkstām spailēm. NEPIELIETOJIET PĀRMĒRĪGU SPĒKU.
- Lai samontētu, veiciet demontāžas procesu apgrieztā secībā.

ROKTURIS UN UZGALIS

- Notīriet un pārbaudiet uzlikas, vai nav plaisu vai citu bojājumu.

KURSORS

- Ik pa laikam notīriet un ieeļļojiet kursoru ar nelielu daudzumu vieglas eļļas.

SVARĪGI!

**Pārbaudiet instrumentu saskaņā ar ikdienas un iknedēļas apkopi.
Pēc instrumenta demontāžas un pirms lietošanas VIENMĒR ir jāveic uzpildīšana.**

* Attiecas uz 0753 Mkll apkopes komplektā iekļautajiem piederumiem. Pilnu sarakstu sk. 282. lpp.
Pozīciju numuri **treknrakstā** attiecas uz vispārīgo montāžu un detaļu sarakstu 286.–287. lpp.

6.3. PAMATINSTRUMENTA 07536-02200 DETAĻU SARAKSTS

07536-02200 DETAĻU SARAKSTS										
POZĪCIJA	DETAĻAS NR.	APRAKSTS	APRAKSTS	DETAĻAS NR.	APRAKSTS	DAUDZ.	POZĪCIJA	REZ. DALAS	DAUDZ.	REZ. DALAS
1	07007-00392	KABEĻA ATSAITE (NAV ATTĒLOTA)	AIZTURIERICE	07220-00803		1	34	-	1	-
2	07001-00499	M3x5 GARA CILINDRISKA REGULĒŠANAS SKRŪVE	VĀRPSTA	07241-00208		3	35	-	1	-
3	07001-00262	M4x22 GARA CILINDRISKA GALVSKRŪVE	ATSPERE	07154-00404		1	36	-	1	-
4	07001-00401	M4x10 GARA CILINDRISKA GALVSKRŪVE	ČAULAS ATVIKŠANAS ATSPERE	07490-03002		4	37	-	1	-
5	07001-00404	M5x6 GARA CILINDRISKA REGULĒŠANAS SKRŪVE	3 MM GAISA KURSORA KROKCAURULE, SUDRABKRASA	07536-02211		1	38	-	1	-
6	07001-00504	M4x6 GARA CILINDRISKA GALVSKRŪVE	VIRZULIS	07536-00203		2	39	2	1	-
7			GĀJIENA IEROBEŽOTĀJS	07530-00204			40		1	-
8	07002-00134	M4 SEŠSTŪRU UZGRIEZNIS	IEKLĀJS	07530-00206		4	41	-	1	1
9	07002-00153	M4 PĀPLĀKSNE [PLASTMASAS]	SPIĻU KORPUSS	07536-00208		2	42	-	1	-
10	07003-00022	GREDZENBLĪVE	ATGAISOŠANAS AIZBĀZNIS [62-65] ●	07530-00500		1	43	-	1	-
11	07003-00113	GREDZENBLĪVE	ČAULA	07536-02201		3	44	3	1	-
12	07003-00121	GREDZENBLĪVE	KORPUSS	07530-02202		3	45	3	1	-
13	07003-00142	1/8" BSP NOSLĒGTAIS BLĪVĒJUMS	ČAULAS AIZBĀZNIS	07530-02205		1	46	1	1	-
14	07003-00167	GREDZENBLĪVE	AIZMUGURĒJO SPIĻU CILINDRS	07536-02207		1	47	1	1	-
15	07003-00386	GREDZENBLĪVE	MARKĒJUMS	07530-02210		2	48	-	2	-
16	07003-00236	BLĪVE [DINAMISKA]	4 MM GAISA KURSORA KROKCAURULE, ZAĻA	07536-02212		1	49	1	1	-
17	07003-00237	BLĪVE [STATISKA]	AIZMUGURĒJAIS AIZBĀZNIS	07536-02213		1	50	-	1	-
18	07004-00058	1/8" ZVAIGŽŅVEIDA PĀPLĀKSNE, HROMĒTA	NOSLĒGAIZBĀZNIS	07530-00310		1	51	-	2	-
19	07004-00059	1/8" ZVAIGŽŅVEIDA PĀPLĀKSNE, MELNA	AIZTURIS	07536-02214		1	52	-	1	-
20	07005-10073	3 MM SAVIENOTĀJS	SKAVA	07530-02220		1	53	-	1	-
21	07005-01357	SPIĻVEIDA SAVIENOTĀJS	SLĒDŽA BLOKS	07530-02301		1	54	-	1	-
22	07005-01571	LOKVEIDA SAVIENOJUMS	GAISA AIZMUGURĒJO SPIĻU SPOLE	07530-02302		3	55	-	1	-
23	07536-02216	KONTRUZGRIEZNIS	MĒĻĪTES KORPUSS	07530-02311		1	56	-	1	-
24	07005-10074	2 MM SAVIENOTĀJS	ROKTURA UZLIKA, LABĀ ROKA	07536-02601		1	57	-	1	-
25	07007-00017	UZGALIS PRET PUTEKĻIEM	ROKTURA UZLIKA, KREISĀ ROKA	07536-02602		1	58	-	1	-
26	07007-00300	MĒĻĪTES POGA	GALA UZGALIS	07530-02603		1	59	-	1	-
27	73200-02022	DROŠĪBAS MARKĒJUMS	AIZMUGURĒJO SPIĻU VIRZUĻA MEZGLS	07536-02800		1	60	-	1	-
28	07007-01504	CE ZĪME	SAVIENOTĀJADAPTERS	07536-02215		1	61	-	1	-
29	07008-00438	LOKANĀ ŠĻŪTENE	●NOSLĒGTAIS BLĪVĒJUMS (NAV ATTĒLOTS)	07003-00142		1	62	-	1	1
30	07005-01323	M3 APMALES LĪKUMS	●NOSLĒGTAIS BLĪVĒJUMS (NAV ATTĒLOTS)	07003-00194		1	63	-	1	1
31	07125-00215	ATSPERE	●SKRŪVE (NAV ATTĒLOTA)	07001-00442		1	64	-	1	1
32	07151-00403	AIZMUGURĒJĀS SPĪLES	●AIZBĀZNIS (NAV ATTĒLOTS)	07530-00501		1	65	2	1	-
33	07003-00016	GREDZENBLĪVE				1				

6.4. DEMONTĀŽAS NORĀDĪJUMI

- Demontējot pastiprinātāja mezglu, vispirms atvienojiet gaisa padeves šļūteni no pastiprinātāja ieejas savienotāja **22**.
- Ar sešstūru uzgriežņatslēgu* izskrūvējiet četras skrūves **27** un noņemiet aizsargplāksni **24**.
- Atvienojiet mēlītes šļūteni **47** no pastiprinātāja vārsta **43** vai **48**, nospiežot ārējo uznavu un izvelkot šļūteni.
- Noņemiet pārsegplāksni **4** un starpliku **35**, ar sešstūru uzgriežņatslēgu* izskrūvējot skrūves **37** un noņemot paplāksnes **36**.
- Pārbaudiet, vai starplika nav bojāta, lai nodrošinātu pareizu blīvējumu.
- Apgrieziet pastiprinātāja mezglu un noteciniet eļļu no rezervuāra piemērotā traukā.
- Ar piemērotu uzgriežņatslēgu* noņemiet ātri atbrīvojamu savienotāju **32** kopā ar savienotāju **31** un blīvēm **33**.
- Ar piemērotu uzgriežņatslēgu izskrūvējot fiksācijas skrūves, noņemiet pastiprinātāja vārstu **43** vai **48** tā, lai atstātu vietā gredzenblīvi **21**, kas atrodas pastiprinātāja korpusa veidnē.
- Ar piemērotu sešstūru uzgriežņatslēgu* izskrūvējiet skrūvi **19** un tad noņemiet klusinātāja vāku **16**, putu klusinātāju **15**, starpliku **18** un aizturplāksni **20**.
- Novelciet 6 mm plastmasas cauruli **41** nost no vakuuma savienotājiem **42**.
- No pastiprinātāja pamatnes caur abiem caurumiem ievietojiet 3 mm sešstūru uzgriežņatslēgu* un atskrūvējiet vakuuma savienotājus **42**. Piezīme.
 - Jāievēro piesardzība, jo vakuuma savienotāji ir bloķēti un hermētiski noslēgti, izmantojot Loctite® 574.
 - Ja vakuuma savienotājus ir grūti noņemt, tos var izurbt ar $\frac{3}{16}$ collas jeb 4,7 mm diametra urbi.
- Lai samontētu atpakaļ vakuuma savienotājus **42**, ir jāievēro šāda procedūra. -
 - Iemērciet vakuuma savienotājus piemērotā gruntējumā, piem., Perma Bond A905.
 - Uzklājiet vienu pilieni Loctite® 574 uz pastiprinātāja vītņotās atveres virsmas.
 - No pastiprinātāja pamatnes caur caurumu ievietojiet sešstūru uzgriežņatslēgu*. Pirms sešstūru uzgriežņatslēgas* ievietošanas vakuuma savienotājā pārliecinieties, vai uz tās nav Loctite® 574 pēdas.
 - Pagrieziet sešstūru uzgriežņatslēgu, vienlaikus uzklājot Loctite® 574 uz vakuuma savienotāja pamatnes.
 - Ieskrūvējiet vakuuma savienotāju pastiprinātājā, raugoties, lai stiprinājuma pamatnē būtu pietiekami daudz Loctite® 574 un lai vītne tādējādi nebūtu redzama.
- Ar skrūvgriezi uzmanīgi noņemiet iekšējo aizturgredzenu **14**. Notīriet rievu un pārbaudiet, vai tā nav bojāta.
- Izmantojot ekstraktoru*, ievietojiet vīrišķās vītnes galu gala pārsegā **12** un izvelciet to kopā ar pastiprinātāja uznavu **28** un gredzenblīvēm **10** un **13**.
- Ievietojiet kātu* caur savienotāja atveri pastiprinātāja korpusa priekšpusē un pasītiēt ārā virzuļa kātu **9** un virzuļa mezglu.
- Ar sešstūru uzgriežņatslēgu* izskrūvējiet divas skrūves **25** un noņemiet gala pārsegu **12** no pastiprinātāja uznavas **28**.
- Ar uzgriežņatslēgu* noņemiet blīvējuma aizbāzni **7**.
- Ievietojiet kātu* caur savienotāja atveri pastiprinātāja korpusa priekšpusē un izspiediet blīves korpusu **5** un ar to saistītās gredzenblīves un manšetblīves.
- Ar piemērotu uzgriežņatslēgu* noņemiet vārsta korpusa mezglu **34** no galvenā korpusa. Iztīriet to, izpūšot ar zema spiediena gaisa strūklu.
- Noņemiet virzuļa kātu **9** no pastiprinātāja gaisa virzuļa **11**, satverot kāta pirmos 20 mm ($\frac{3}{4}$ collas) skrūvspilēs ar mīkstām spailēm tā, lai nesabojātu un nesaskrāpētu darba virsmu.
- Ar piemērotu uzgriežņatslēgu* atskrūvējiet kontruzgriezni **17**.
- Lai samontētu, veiciet demontāžas procesu apgrieztā secībā, ņemot vērā šādus norādījumus.
- Notīriet visas detaļas un atjaunojiet visas gredzenblīves.
- Ieziediet visas blīves ar molibdēnu saturošu litija smērvielu.
- Vārsta korpusa mezgls **34** ir jāsamontē, izmantojot vītņu hermētiķi.

* Attiecas uz 0753 MkII apkopes komplektā iekļautajiem piederumiem. Pilnu sarakstu sk. 282. lpp.
Pozīciju numuri **treknrakstā** attiecas uz ilustrāciju un detaļu sarakstu pretējā pusē.

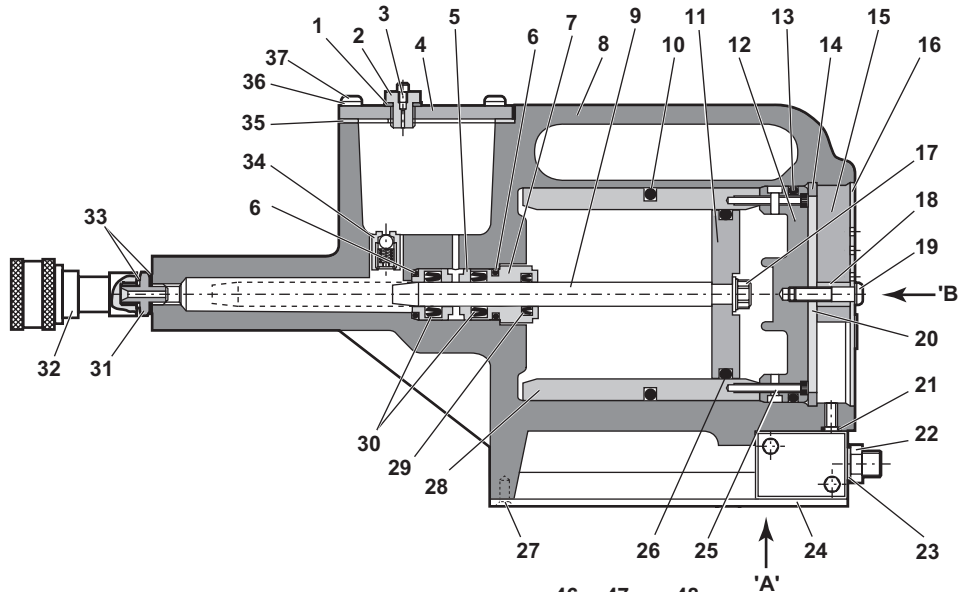
- Samontējiet virzuļa mezglu, izmantojot jaunu uzgriezni **17**.
- Gala pārsegam **12** jābūt pareizi uzstādītam aizturgredzena **14** iekšpusē. Instrumentu nedrīkst darbināt, ja gala pārsegs nav uzstādīts.

SVARĪGI!

Pēc instrumenta demontāžas un pirms lietošanas VIENMĒR ir jāveic uzpildīšana.

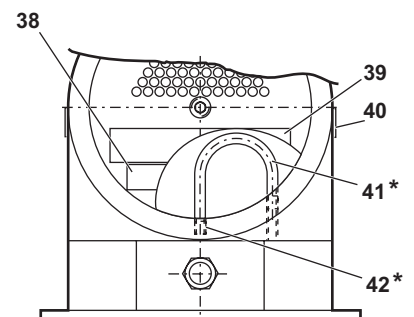
6.5 VIDES AIZSARDZĪBA

Ievērojiet spēkā esošos normatīvos aktus par atkritumu utilizāciju. Nododiet visus nolietotos izstrādājumus apstiprinātā atkritumu savākšanas iekārtā vai punktā, lai neapdraudētu darbiniekus un vidi.

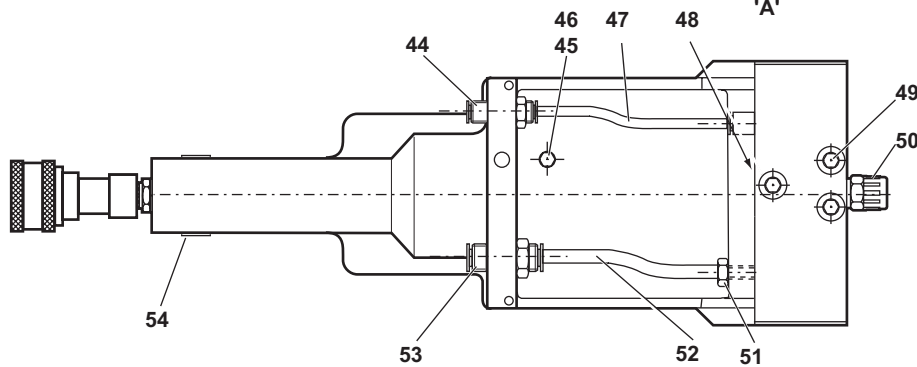
6.6. PASTIPRINĀTĀJS 07531-02200

Note

* Some units will not include these items (The required link is achieved via internal porting).

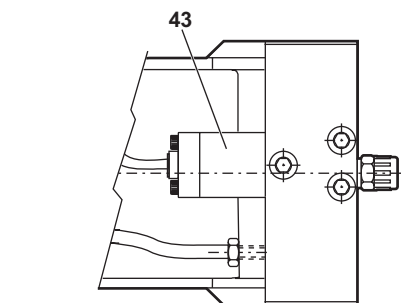


VIEW ON ARROW 'B'



VIEW ON ARROW 'A'

VIEW ILLUSTRATING FESTO VALVE



VIEW ILLUSTRATING COMPAIR VALVE

* Attiecas uz 0753 MkII apkopes komplektā iekļautajiem piederumiem. Pilnu sarakstu sk. 282. lpp.
Pozīciju numuri **treknrakstā** attiecas uz ilustrāciju un detaļu sarakstu pretējā pusē.

07531-02200 DETAĻU SARAKSTS									
POZĪCIJA	DETAĻAS NR.	APRAKSTS	DAUDZ.	REZ. DALAS	POZĪCIJA	DETAĻAS NR.	APRAKSTS	DAUDZ.	REZ. DALAS
1	07003-00037	BLĪVE	1	1	28	07531-00201	UZMAVA	1	-
2	07240-00211	IELIETNES SKRŪVE	1	-	29	07003-00337	MANŠETBLĪVE	1	1
3	07001-00418	ATGAISOŠANAS SKRŪVE	1	1	30	07003-00336	MANŠETBLĪVE	2	2
4	07240-00210	PĀRSEGPLĀKSNE	1	-	31	07005-00406	SAVIENOTĀJS	1	-
5	71420-02006	BLĪVES KORPUSS	1	-	32	07005-00759	ĀTRI ATBRĪVOJAMS SAVIENOTĀJS	1	-
6	07003-00153	GREDZENBLĪVE	2	-	33	07003-00142	BLĪVE	2	1
7	71420-02007	BLĪVĒJUMA AIZBĀZNIS	1	-	34	07240-00400	VĀRSTA KORPUSA MEZGLS	1	-
8	71420-02300	KORPUSS	1	-	35	07240-00209	STARPLIKA	1	1
9	71420-02008	VIRZUĻA KĀTS	1	-	36	07002-00073	PAPLĀKSNE	4	1
10	07003-00182	GREDZENBLĪVE	1	1	37	07001-00554	SKRŪVE	4	1
11	07531-00202	GAISA VIRZULIS	1	-	38	07007-01504	MARĶĒJUMS	1	-
12	07531-00204	GALA PĀRSEGS	1	-	39	07240-00217	MARĶĒJUMS	1	-
13	07003-00183	GREDZENBLĪVE	1	1	40	07531-00205	MARĶĒJUMS	2	-
14	07004-00069	AIZTURGREDZENS	1	1	41	07005-00596	* 6 mm PLASTMASAS CAURULE	-	-
15	07240-00213	PUTU KLUSINĀTĀJS	1	1	42	07245-00103	* VAKUUMA SAVIENOTĀJS	2	-
16	07240-00214	KLUSINĀTĀJA VĀKS	1	-	43	07005-00590	COMPAIR VĀRSTS	1	1
17	07002-00017	UZGRIEZNIS	1	1	44	07005-01431	STARPSIENAS SAVIENOTĀJS	1	1
18	07240-00215	STARPLIKA	1	-	45	07005-00668	M5 AIZBĀZNIS	1	-
19	07001-00417	SKRŪVE	1	1	46	07005-00670	M5 BLĪBGREDZENS	1	-
20	07240-00216	AIZTURPLĀKSNE	1	-	47	07005-01084	4 mm PLASTMASAS CAURULE (150 mm)	-	-
21	*07003-00042	GREDZENBLĪVE	1	1	48	07005-01524	FESTO VĀRSTS	1	-
22	07005-00041	SAVIENOTĀJS	1	-	49	07001-00176	SKRŪVE	3	-
23	07003-00065	PAPLĀKSNE	1	-	50	07007-00292	1/4" BSP SARKANAIS VĀCIŅŠ	1	-
24	07240-00220	AIZSARGPLĀKSNE	1	-	51	07005-00647	SAVIENOTĀJS	1	-
25	07001-00375	SKRŪVE	2	-	52	07005-01085	6 mm PLASTMASAS CAURULE (150 mm)	-	-
26	07003-00238	GREDZENBLĪVE	1	1	53	07005-00855	STARPSIENAS SAVIENOJUMS	1	-
27	07001-00396	SKRŪVE	4	-	54	73200-02022	DROŠĪBAS MARĶĒJUMS	1	-

7. UZPILDĪŠANA

Pēc instrumenta demontāžas un pirms lietošanas VIENMĒR ir jāveic uzpildīšana. Ja pēc ilgstošas lietošanas gājiens ir samazinājies un kniedes nav pilnībā iedzītas ar vienu mēlītes darbību, var būt nepieciešams arī atjaunot pilnu gājienu.

7.1. INFORMĀCIJA PAR EĻĻU

Ieteicamā eļļa uzpildīšanai ir Hyspin® VG32 un AWS 32, kas pieejama 0,5 l (detaļas numurs 07992-00002) vai 1 gal tilpuma tvertnēs (detaļas numurs 07992-00006). Skatiet tālāk norādītos drošības datus.

7.2. HYSPIN® VG32 UN AWS 32 EĻĻAS DROŠĪBAS DATI

Pirmā palīdzība

SASKARE AR ĀDU

Rūpīgi nomazgājiet ar ziepēm un ūdeni, tiklīdz tas ir iespējams. Neregulāras saskares gadījumā nav nepieciešama tūlītēja medicīniska palīdzība. Īslaicīgas saskares gadījumā nav nepieciešama tūlītēja medicīniska palīdzība.

NORIŠANA

Nekavējoties meklējiet medicīnisku palīdzību. Neizraisiet vemšanu.

SASKARE AR ACĪM

Nekavējoties skalojiet ūdenī. Kaut arī nav primārais kairinātājs, pēc saskares var rasties neliels kairinājums.

Ugunsdrošība

Piemēroti ugunsdzēsšanas līdzekļi: CO₂, sausais pulveris, putas vai ūdens migliņa. Nelietojiet ūdens strūklu.

Vides aizsardzība

ATKRITUMU UTILIZĀCIJA Ar licencēta darbuzņēmēja starpniecību uz licencētu savākšanas punktu. Drīkst sadedzināt.

Izmantoto vielu drīkst nosūtīt meliorācijai.

IZŠĻAKSTĪTA VIELA Novērsiet iekļūšanu notekās, kanalizācijā un ūdenstecēs. Savāciet ar absorbējošu materiālu.

Manipulācijas

Valkājiet acu aizsargus, necaurļaidīgus cimdus (piemēram, PVC) un plastmasas priekšautu. Lietojiet labi vēdinātās vietās.

Uzglabāšana

Nav īpašu piesardzības pasākumu.

7.3. UZPILDĪŠANAS PROCEDŪRA

SVARĪGI!

NEDARBINIET MĒLĪTI, KAMĒR ATGAISOŠANAS SKRŪVE IR NOŅEMTA

Visas darbības jāveic uz tīra darbagalda ar tīrām rokām tīrā zonā.

Jaunajai eļļai ir jābūt pilnīgi tīrai un bez gaisa burbuļiem.

Vienmēr ir jāievēro piesardzība, lai instrumentā nenokļūtu svešķermeņi, pretējā gadījumā var rasties nopietni bojājumi.

- Izskrūvējiet skrūvi **2** un noņemiet blīvi **1** no pastiprinātāja tvertnes plastmasas pārsegplāksnes **4**.
- Ielejiet uzpildes eļļu tvertnē, līdz tā atrodas aptuveni 12 mm (1/2 collas) no augšas.
- Ieskrūvējiet skrūvi **2** un uzstādiet atpakaļ blīvi **1**.
- Savienojiet pastiprinātāju ar gaisa padevi. Izskrūvējiet skrūvi no tvertnes.
- Ja 07536 pistoles bloks ir uzstādīts pie pastiprinātāja un tiek turēts zem pastiprinātāja līmeņa, paskrūvējiet vaļīgāk atgaisošanas skrūvi **64** no instrumenta 07536 atgaisošanas aizbāžņa **43** par diviem apgriezieniem un ļaujiet eļļai izplūst no instrumenta.
- Kad eļļa tek brīvi un bez gaisa burbuļiem, pievelciet atgaisošanas skrūvi.
- Uzpildiet pastiprinātāja tvertni ar uzpildes eļļu.
- Cikliski darbiniet instrumentu, līdz eļļā esošie gaisa burbuļi tiek izvadīti eļļas tvertnē.

Posīciju numuri **treknrakstā** attiecas uz vispārīgo montāžu un detaļu sarakstu 286.–289. lpp.

8. KĻŪDU DIAGNOSTIKA

PROBLĒMA	IESPĒJAMĀIS CĒLONIS	RISINĀJUMS	LPP.	
Instrumenta neiedzen kniedes	Zems gaisa spiediens	Palieliniet gaisa spiedienu		
	Eļļošanas neesamība	Eļļojiet instrumentu gaisa ieplūdes vietā		
	Liels caurvelces spēks	Pārbaudiet kniedes saķeri un cauruma izmēru materiālā		
	Pārbaudiet, vai ir pareizā izmēra tapnis			
	Aizmugurējās spīles ir izslēgtas	Ieslēdziet aizmugurējās spīles		
	Hidrauliskajā sistēmā ir gaiss	Sk. sadaļu "Uzpildīšanas procedūra"	291	
Tapņa slīdēšana — spīles nesatver tapni	Nolietotas vai netīras aizmugurējās spīles	Notīriet vai vajadzības gadījumā atjaunojiet		
	'Nepietiekams gaisa spiediens vai tilpums	Palieliniet gaisa spiedienu vai tilpumu		
	'Aizmugurējo spīļu slēdzis nedarbojas	Nomainiet slēdzi		
	'Gaisa noplūde aizmugurējās spīlēs	Atjaunojiet virzuļa 11 gredzenblīves		
	Tapnis ir bojāts un neaizsniedz aizmugurējās spīles	Nomainiet tapni		
Kļūme pneimatiskās vadības blokā	Sazinieties ar Stanley Engineered Fastening speciālistiem			
Spīles neatlaiž tapni	Netīras aizmugurējās spīles vai spīļu korpusi	Notīriet un ieeļļojiet		
	Bojāts aizmugurējo spīļu slēdzis	Nomainiet gredzenblīves		
	Iesprostota gaisa signāls	Pārbaudiet pneimatiskās līnijas		
	Kļūme pneimatiskās vadības blokā	Sazinieties ar Stanley Engineered Fastening speciālistiem		
Kniedes nevar padot pa priekšgala spīlēm	Aizmugurējās spīles nav ieslēgtas	Ieslēdziet aizmugurējās spīles		
	Nolietotas aizmugurējās spīles	Atjaunojiet aizmugurējās spīles		
	Kursora ievirze ir nepareiza	Uzstādiet no jauna pareizajā ievirzē		
	Nepareizs kursors	Uzstādiet pareizo kursoru		
	Nepareizas priekšgala spīles	Uzstādiet pareizās priekšgala spīles		
	Nav uzstādīta tapņa bīdītāja atspere	Uzstādiet pareizo tapņa bīdītāja atspere		
	Tapņa bīdītāja garums	Uzstādiet pareizo tapņa bīdītāju		
	Nepareiza atstarpe starp kniedes galvu un priekšgala spīlēm, kad pielādēts	Iestatiet 1,5–3 mm (1/16–1/8 collas) atstarpi Sk. sadaļu "Instrumenta pielādēšana"	279-280	
	Kursors pielip	Notīriet un ieeļļojiet kursoru		
	Nolietots gaisa kursors	Atjaunojiet kursoru		
	Uzstādīta nepareiza tapņa bīdītāja atspere	Uzstādiet pareizo tapņa bīdītāja atspere		
	Nolietota vai salūzusi čaulas atvilkšanas atspere	Nomainiet čaulas atvilkšanas atspere		
Pārmērīgs aizmugurējo spīļu nolietojums	Liels caurvelces spēks	Pārbaudiet materiāla biezumu un caurumu izmēru un kniedes saķeri		
Vienas kniedes vietā tiek padotas vairākas	Tapņa slīdēšana	Sk. punktu par tapņa slīdēšanu, 2. posms		
	Nepareiza atstarpe starp kniedes galvu un priekšgala spīlēm, kad pielādēts	Iestatiet 1,5–3 mm (1/16–1/8 collas) atstarpi Sk. sadaļu "Instrumenta pielādēšana" lpp.:	279-280	

Par citām problēmām vai kļūdām jāziņo vietējam Stanley Engineered Fastening pilnvarotam izplatītājam vai remontdarbīcai.

PIEZĪMES

9. EK ATBILSTĪBAS DEKLARĀCIJA

Mēs, **Stanley Engineered Fastening, Stanley House, Works Road, Letchworth Garden City, Hertfordshire, SG6 1JY, APVIENOTĀ KARALISTE**, ar savu vienpersonisko atbildību paziņojam, ka izstrādājums

Apraksts: Cikliskis ātro kniežu hidropneimatiskais instruments

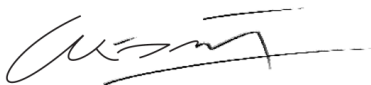
Modelis: 07536

uz ko attiecas šī deklarācija, atbilst šādiem saskaņotajiem standartiem:

ISO 12100:2010	EN ISO 3744:2010
EN ISO 11202:2010	EN ISO 11148-1:2011
EN ISO 4413:2010	BS EN 28662-1:1993
EN ISO 4414:2010	EN ISO 20643:2008+A1:2012
EN ISO 28927-5:2009+A1:2015	ES100118-rev 17:2017

Tehniskā dokumentācija ir sastādīta saskaņā ar VII. pielikumu atbilstīgi šādai direktīvai: **2006/42/EK — Mašīnu direktīva** (AK tiesību akts "Statutory Instruments 2008 No 1597 — The Supply of Machinery (Safety) Regulations").

Persona, kas šeit parakstījusies, STANLEY Engineered Fastening vārdā sniedz šo apliecinājumu



A. K. Seewraj

inženiertehniskās nodaļas priekšsēdētājs, Apvienotā Karaliste

Avdel UK Limited, Stanley House, Works Road, Letchworth Garden City, Hertfordshire, SG6 1JY, APVIENOTĀ KARALISTE

Izdošanas vieta: Letchworth Garden City, Apvienotā Karaliste

Izdošanas datums: 01.01.2021.

Persona, kas šeit parakstījusies, atbild par tehnisko datu sagatavošanu izstrādājumiem, kurus pārdod Eiropas Savienībā, un Stanley Engineered Fastening vārdā izstrādā šo apliecinājumu.

Matthias Appel

tehniskās dokumentācijas grupas vadītājs

Stanley Engineered Fastening, Tucker GmbH, Max-Eyth-Str.1, 35394 Gießen, Vācija



Šis instruments atbilst
Mašīnu direktīva 2006/42/EK

10. APVIENOTĀS KARALISTES ATBILSTĪBAS DEKLARĀCIJA

Mēs, **Stanley Engineered Fastening, Stanley House, Works Road, Letchworth Garden City, Hertfordshire, SG6 1JY, APVIENOTĀ KARALISTE**, ar savu vienpersonisko atbildību paziņojam, ka izstrādājums

Apraksts: Cikliskis ātro kniežu hidropneimatiskais instruments

Modelis: 07536

uz ko attiecas šī deklarācija, atbilst šādiem specializētajiem standartiem:

ISO 12100:2010	EN ISO 3744:2010
EN ISO 11202:2010	EN ISO 11148-1:2011
EN ISO 4413:2010	BS EN 28662-1:1993
EN ISO 4414:2010	EN ISO 20643:2008+A1:2012
EN ISO 28927-5:2009+A1:2015	ES100118-rev 17:2017

Tehniskā dokumentācija ir sastādīta saskaņā ar tiesību aktu "Supply of Machinery (Safety) Regulations 2008, S.I. 2008/1597" (ar grozījumiem).

Persona, kas šeit parakstījusies, STANLEY Engineered Fastening vārdā sniedz šo apliecinājumu



A. K. Seewraj

inženiertehniskās nodaļas priekšsēdētājs, Apvienotā Karaliste

Avdel UK Limited, Stanley House, Works Road, Letchworth Garden City, Hertfordshire, SG6 1JY, APVIENOTĀ KARALISTE

Izdošanas vieta: Letchworth Garden City, Apvienotā Karaliste

Izdošanas datums: 01.01.2021.



Šis instruments atbilst
tiesību aktam "Supply of Machinery (Safety) Regulations 2008,
S.I. 2008/1597" (ar grozījumiem)

11. AIZSARGĀJIET VĒRTĪGO IEGULDĪJUMU!

Stanley® Engineered Fastening SLĒPTO KNIEŽU KNIEDĒTĀJA GARANTĪJA

STANLEY® Engineered Fastening garantē, ka visi elektroinstrumenti ir ražoti ar vislielāko rūpību un viena (1) gada laikā tiem nerodas materiālu vai darba kvalitātes defekti, ja tos lieto un apkopj tā, kā paredzēts.

Šī instrumenta garantija attiecas tikai uz instrumenta pirmo pircēju un tā pirmreizējo lietošanu.

Izņēmumi

Normāls nolietojums un nodilums

Garantija neattiecas uz regulāru apkopi, remontdarbiem un rezerves daļām normāla nolietojuma un nodiluma dēļ.

Ļaunprātīga un nepareiza lietošana

Garantija neattiecas uz defektiem un bojājumiem, kas radušies nepareizas ekspluatācijas, glabāšanas, ļaunprātīgas vai nepareizas lietošanas, negadījumu vai nolaidības rezultātā, piemēram, fiziskiem bojājumiem.

Neatjauta apkalpošana vai pārveidošana

Garantija neattiecas uz defektiem vai bojājumiem, kas radušies tādu apkalpošanas, pārbaudes regulēšanas, uzstādīšanas, apkopes, pārveidošanas vai modifikācijas darbu rezultātā, ko veikušas trešās personas, nevis uzņēmums STANLEY® Engineered Fastening vai tā pilnvarotie apkopes centri.

Nav spēkā nekādas citas tiešas vai netiešas garantijas, tostarp tādas, kas garantē komerciālo kvalitāti un piemērotību īpašam mērķim.

Ja instruments neatbilst šai garantijai, nekavējoties nogādājiet to tuvākajā uzņēmuma pilnvarotajā apkopes centrā. Lai uzzinātu visus STANLEY® Engineered Fastening pilnvarotos apkopes centrus ASV vai Kanādā, zvaniet pa bezmaksas tālruna numuru (877)364 2781.

Lai atrastu tuvāko centru ārpus ASV vai Kanādas, apmeklējiet mūsu tīmekļa vietni **www.StanleyEngineeredFastening.com**.

Uzņēmums STANLEY Engineered Fastening bez maksas nomainīs visas detaļas, ko tas ir atzinis par bojātām materiālu vai darba kvalitātes defektu dēļ, un tad nogādās jums atpakaļ jauniegādāto instrumentu. Tas ir mūsu vienīgais pienākums saskaņā ar šo garantiju.

STANLEY Engineered Fastening nekādā gadījumā neatbild par izrietošiem vai faktiskiem zaudējumiem, kas radušies, iegādājoties šo instrumentu.

Reģistrējiet slēpto kniežu instrumentu tiešsaistē.

Lai reģistrētu garantiju tiešsaistē, apmeklējiet tīmekļa vietni

<https://www.stanleyengineeredfastening.com/support/warranty-registration-form>

Pateicamies, ka izvēlējāties Stanley Assembly Technologies zīmola instrumentu, ko ražo STANLEY® Engineered Fastening.

© „Stanley Black & Decker, Inc.“, 2021 m.
Visos teisės saugomos.

Pateiktos informacijos negalima jokiais būdais ir priemonėmis (elektroninėmis ar mechaninėmis) atkurti ir (arba) viešinti, prieš tai negavus aiškaus rašytinio „STANLEY Engineered Fastening“ sutikimo. Pateikta informacija yra pagrįsta šio įrenginio pristatymo metu žinomais duomenimis. „STANLEY Engineered Fastening“ laikosi nuolatinio gaminių tobulinimo politikos, todėl jos gaminiai gali būti modifikuojami. Pateikta informacija yra taikytina tokiam gaminiui, kokį jį pristatė „STANLEY Engineered Fastening“. Todėl „STANLEY Engineered Fastening“ neprisiima atsakomybės už jokią žalą, patirtą pakeitus originalias gaminio specifikacijas.

Esama informacija parengta itin kruopščiai. Visgi „STANLEY Engineered Fastening“ neprisiima jokios atsakomybės nei dėl informacijos klaidų, nei dėl jų padarinių. „STANLEY Engineered Fastening“ neprisiima atsakomybės už žalą, patirtą dėl trečiųjų šalių vykdytos veiklos. „STANLEY Engineered Fastening“ naudojami praktiniai pavadinimai, prekių pavadinimai, registruotieji prekių ženklai ir kt. neturi būti traktuojami kaip nemokami: jiems taikomi atitinkami prekių ženklų apsaugos teisės aktai.

1. SAUGOS APIBRĖŽTYS	298
1.1 BENDROSIOS SAUGOS TAIŠYKLĖS.....	298
1.2 ATŠOKOS PAVOJAI	298
1.3 EKSPLOATACIJOS PAVOJAI	299
1.4 KARTOTINIŲ JUDESIŲ PAVOJAI	299
1.5 PRIEDŲ PAVOJAI	299
1.6 DARBO VIETOS PAVOJAI.....	299
1.7 TRIUKŠMO PAVOJAI.....	299
1.8 VIBRACIJOS PAVOJAI	299
1.9 PAPILDOMOS PNEUMATINIŲ IR HIDRAULINIŲ ĮRANKIŲ SAUGOS INSTRUKCIJOS.....	300
2. SPECIFIKACIJOS	301
2.1 07536 ĮRANKIO SPECIFIKACIJA.....	301
2.2 07531 STIPRINTUVO SPECIFIKACIJA.....	301
3. NAUDOJIMO PASKIRTIS	302
3.1 ĮRANKIO MATMENYS. 07536 MODELIS.....	302
4. EKSPLOATACIJOS PRADŽIA	303
4.1 ORO TIEKIMAS	303
4.2 PNEUMATINIAI ŽYMEKLIAI.....	304
4.3 ĮRANKIO UŽTAISYMAS IR UŽTAISYMAS IŠ NAUJO	304
4.4 NAUDOJIMAS	306
5. ĮRANKIO PRIEŽIŪRA.....	307
5.1 PNEUMATINĖ VALDYMO DĖŽUTĖ.....	307
5.2 KASDIEN	307
5.3 KAS SAVAITĘ.....	307
5.4 MOLIBDENO DISULFIDO IR LIČIO TEPALAS EP 3753 SAUGOS DUOMENYS.....	307
5.5 PRIEŽIŪROS RINKINYS	308
5.6 PNEUMATINIO ŽYMEKLIO ĮRANKIS, STIPRINTUVO IR VALDYMO DĖŽUTĖS MAZGAS 07536-02100	309
6. TECHNINĖ PRIEŽIŪRA	310
6.1 07536-02200 IŠARDYMAS	310
6.2 BENDRASIS BAZINIO ĮRANKIO 07536-02200 MAZGAS	312
6.3 BAZINIO ĮRANKIO 07536-02200 DALIŲ SĄRAŠAS	313
6.4 IŠMONTAVIMO INSTRUKCIJOS.....	314
6.5 APLINKOSAUGA.....	315
6.6 07531-02200 STIPRINTUVAS	315
7. PRIPILDYMAS	317
7.1 INFORMACIJA APIE ALYVĄ	317
7.2 ALYVŲ „HYPIN® VG32“ IR AWS 32 SAUGOS DUOMENYS	317
7.3 PRIPILDYMO PROCEDŪRA	317
8. TRIKČIŲ DIAGNOSTIKA.....	318
9. EB ATITIKTIES DEKLARACIJA.....	320
10. JK ATITIKTIES DEKLARACIJA	321
11. APSAUGOKITE SAVO INVESTICIJĄ!.....	322



Šią naudojimo instrukciją privalo perskaityti visi, kurie montuoja šį įrankį arba juo naudojasi, atkreipdami ypatingą dėmesį į toliau pateiktas saugos taisykles.



Visada nešiokite smūgiams atsparias akių apsaugos priemones. Kiekvieną kartą prieš naudojantis reikia įvertinti reikiamos apsaugos lygį.



Klausos apsaugos priemonėmis naudokitės pagal darbdavio nurodymus ir tiek, kiek reikalaujama profesinės sveikatos apsaugos ir saugos reglamentuose.



Dirbdamas įrankiu, operatorius gali susižaloti rankas, pvz., susitraiškyti, susitrenkti, įsipjauti ir įsibrėžti bei nusideginti. Rankų apsaugai mūvėkite reikiamas pirštines.

1. SAUGOS APIBRĖŽTYS

Toliau pateiktos apibrėžtys apibūdina kiekvieno signalinio žodelio griežtumą. Perskaitykite šį naudotojo vadovą ir atkreipkite dėmesį į šiuos simbolius.

- ⚠ PAVOJUS!** Reiškia pavojingą situaciją, kurios neišvengus bus rimtai arba net mirtinai susižalota.
- ⚠ ĮSPĖJIMAS!** Reiškia potencialią pavojingą situaciją, kurios neišvengus, galima žūti arba sunkiai susižaloti.
- ⚠ PERSPĖJIMAS!** Nurodo potencialią pavojingą situaciją, kurios neišvengus galima nesunkiai arba vidutiniškai sunkiai susižaloti.
- ⚠ ATSARGIAI!** Reiškia potencialiai pavojingą situaciją, kuri, jeigu jos neišvengti, galėtų baigtis turtui padaryta žala.

Netinkamai naudojant arba prižiūrint šį gaminį, galima sunkiai susižaloti arba sugadinti turtą. Prieš pradėdami naudotis šiuo įrenginiu, perskaitykite ir išsiaiškinkite visus įspėjimus ir eksploatacijos instrukcijas. Naudodamiesi elektriniais įrankiais, laikykitės pagrindinių saugos atsargumo priemonių, kad sumažintumėte pavojų susižaloti.

IŠSAUGOKITE VISUS ĮSPĖJIMUS IR NURODYMUS, KAD GALĖTUMĖTE PASINAUDOTI ATEITYJE

1.1 BENDROSIOS SAUGOS TAISYKLĖS

- Kad išvengtumėte daugelio pavojų, prieš montuodami, eksploatuodami, remontuodami, atlikdami techninę apžiūrą, keisdami priedus arba dirbdami šalia prietaiso, perskaitykite saugos instrukcijas ir jas supraskite. To nepadarę rizikuojate rimtai susižaloti.
- Įrankį sumontuoti, reguliuoti ir naudoti gali tik kvalifikuoti ir išmokyti operatoriai.
- NENAUDOKITE ne pagal numatytą „STANLEY Engineered Fastening“ paskirtį, t.y. įleidžiamosioms kniedinėms veržlėms įkniedyti.
- Naudokite tik gamintojo rekomenduojamas detales, tvirtinimo elementus ir priedus.
- NEMODIFIKUOKITE prietaiso. Modifikacijos gali sumažinti saugos priemonių veiksmingumą bei padidinti riziką operatoriui. Už bet kokį kliento atliktą įrankio konstrukcijos pakeitimą atsako išskirtinai klientas ir tokiu atveju bet kokia garantija nebegalioja.
- Neišmeskite saugos instrukcijų; atiduokite jas operatoriui.
- Nenaudokite įrankio, jei pastarasis buvo sugadintas.
- Prieš naudojimą patikrinkite, ar nėra išsiderinusių arba stringančių judamųjų dalių, įtrūkusių dalių ir bet kokių kitų gedimų, kurie turi įtakos įrankių veikimui. Jeigu yra gedimų, prieš pradėdant elektrinį įrankį naudoti, jį privaloma sutaisyti. Prieš naudojimą pašalinkite visus reguliavimo raktus arba veržliarakčius.
- Įrankis turi būti periodiškai tikrinamas siekiant užtikrinti, kad įrankio klasė ir ženkliniai, reikalaujami pagal ISO 11148 standartą, yra įskaitomai matomi ant įrankio. Norėdamas gauti ženklų etiketes, kai būtina, darbdavys / naudotojas turi kreiptis į gamintoją.
- Įrankis visada privalo būti tinkamai prižiūrimas, kad juo būtų saugu naudotis; kvalifikuoti specialistai privalo reguliariai jį tikrinti, ar nėra gedimų, ir ar jis tinkamai veikia. Visus ardymo darbus privalo atlikti tik kvalifikuoti specialistai. Neardykite šio įrankio, prieš tai neperskaitę techninės priežiūros instrukcijų.

1.2 ATŠOKOS PAVOJAI

- Prieš atlikdami techninės priežiūros, bandydami sureguliuoti, prisukti arba nuimti priekinės dalies įtaisą arba priedus, atjunkite prietaisą nuo oro tiekimo.
- Nepamirškite, kad sujudėjęs ruošiniui arba priedui, arba net iš po paties įtvirtinto įrankio dideliu greičiu gali atšokti skeveldros.
- Visada nešiokite apsaugai nuo smūgio skirtas akių apsaugos priemones. Kiekvieną kartą prieš naudojantis reikia įvertinti reikiamos apsaugos lygį.
- Kiekvieną kartą taip pat būtina įvertinti riziką kitiems asmenims.
- Įsitikinkite, kad ruošinys saugiai užfiksuotas.
- Patikrinkite, kad vietoje yra veiksmingos apsaugos priemonės, jei atšoktų tvirtinimo elementas ir (arba) kartotuvus.

- Įspėkite kitus apie stiprios spaudiklio atšokos nuo įrankio priekio tikimybę.
- NEDIRBKITE įrankiu, kai jis nukreiptas į kitą (-us) asmenį (-is).

1.3 EKSPLOATACIJOS PAVOJAI

- Dirbdamas įrankiu operatorius gali susižaloti rankas, kaip antai, susitraiškyti, susitrenkti, įsipjauti ir įsibrėžti bei nusideginti. Rankų apsaugai mūvėkite reikiamas pirštines.
- Operatoriai ir techninės priežiūros personalas turi būti fiziškai stiprūs, kad galėtų dirbti dideliu, sunkiu ir galingu įrankiu.
- Teisingai laikykite įrankį; būkite pasiruošę suvaldyti įprastinį arba staigų judesį abiem rankomis.
- Įrankio rankenos turi būti sausos, švarios ir neištepotos alyva arba tepalu.
- Dirbdami įrankiu nepraraskite kūno padėties balanso ir tvirtai stovėkite ant kojų.
- Jei nutrūktų hidraulinis tiekimas, atleiskite pradžios ir stabdos įtaisą.
- Naudokite tik gamintojo rekomenduojamus tepalus.
- Venkite kontakto su hidrauliniu skysčiu. Sąlyčio atveju nedelsdami nusiprauskite vandeniu, kad išvengtumėte galimų odos bėrimų.
- Pareikalavus įrankio tiekėjas gali pateikti visų hidraulinių alyvų ir tepalų produktų saugos duomenų lapų duomenis.
- Venkite nepatogios laikysenos, nes tokiose padėtyje, tikėtina, kad galite nesuvaldyti įprastinio arba netikėto įrankio judesio.
- Jei įrankis užfiksuojamas ant pakabos įrenginio, įsitikinkite, kad jis laikosi saugiai.
- Jeigu neuždėjote priekinės dalies įtaiso, saugokitės sutraiškymo arba sužnybimo rizikos.
- NENAUDOKITE įrankio, kai nuimtas priekinės dalies įtaiso apgaubas.
- Prieš pradėdami darbą, įrankio naudotojo rankos turi būti tinkamu atstumu.
- Pernešdami įrankį iš vienos vietos į kitą, rankas laikykite atokiai nuo gaiduko, kad netyčia neįjungtumėte įrankio.
- SAUGOKITE įrankį nuo smūgių ir kritimų, nenaudokite jo vietoj plaktuko.
- Privaloma pasirūpinti, kad panaudoti spaudikliai nekeltų pavojaus.

1.4 KARTOTINIŲ JUDESIŲ PAVOJAI

- Dirbdamas įrankiu, operatorius gali pajusti rankų, plaštakų, pečių, kaklo arba kitų kūno dalių diskomfortą.
- Naudodamasis įrankiu, operatorius turi prisitaikyti patogioje padėtyje, kad jaustųsi tvirtai stovįs ant kojų ir vengtų nepatogios arba išbalansuojančios laikysenos. Jei užduotis trunka ilgesnį laiką, operatorius turi keisti laikyseną; tai padės jam išvengti diskomforto ir nuovargio.
- Jei operatorius jaučia simptomus, tokius kaip nuolatinis arba atsikartojantis diskomfortas, skausmas, tvinkčiojimas, gėla, dygčiojimas, tirpimas, deginimo pojūtis arba sustingimas, šių ženklų nereikėtų nepaisyti. Operatorius apie tai turi informuoti darbdavį ir pasikonsultuoti su kvalifikuotu sveikatos priežiūros specialistu.

1.5 PRIEDŲ PAVOJAI

- Prieš montuodami arba nuimdami priekinės dalies įtaisą arba priedą, atjunkite įrankio oro tiekimą.
- Naudokite tik tokio dydžio ir tipo priedus ir vartojamąsias dalis, kurias rekomenduoja įrankio gamintojas; nenaudokite kitokio dydžio ir tipo priedų arba vartojamųjų dalių.

1.6 DARBO VIETOS PAVOJAI

- Svarbiausios susižalojimo darbo vietoje priežastys yra paslydimas, užkliuvimas ir pargriuvimas. Saugokitės dėl įrankio naudojimo atsiradusių slidžių paviršių. Taip pat žiūrėkite, kad neužkliūtumėte už oro linijos arba hidraulinės žarnos.
- Nepažįstamoje aplinkoje elkitės atsargiai. Ten gali būti paslėptų pavojų, pvz., elektros kabelių ar kitų komunalinių linijų.
- Įrankis nėra skirtas naudoti potencialiai sprogioje aplinkoje bei neturi izoliacijos apsaugai nuo kontakto su elektros energija.
- Įsitikinkite, kad šalia nėra elektros laidų, dujų vamzdžių ir kitko, kas gali sukelti pavojų pažeidus naudojant įrankį.
- Tinkamai apsirenkite. Nedėvėkite plačių drabužių arba papuošalų. Plaukus, drabužius ir pirštines laikykite atokiau nuo judančių dalių. Judančios dalys gali įtraukti laisvus drabužius, papuošalus ar ilgus plaukus.
- Privaloma pasirūpinti, kad panaudoti spaudikliai nekeltų pavojaus.

1.7 TRIUKŠMO PAVOJAI

- Dėl ilgalaikio didelio triukšmo poveikio gali visam laikui, nepagydomai sutrikti klausa bei atsirasti kitų problemų, kaip antai tinitas (skambėjimas, zvimbimas, švilpimas arba spengimas ausyse). Dėl šios priežasties būtina įvertinti pavojus ir imtis reikiamų priemonių.
- Atitinkamos valdymo priemonės rizikos sumažinimui gali apimti tokius veiksmus, kaip antai garso slopinimo medžiaga, kuri neleisėtų ruošiniui „skambėti“.
- Klausos apsaugos priemonėmis naudokitės pagal darbdavio nurodymus ir tiek, kiek reikalauja užimtumo sveikatos ir saugos reglamentai.
- Dirbkite ir laikykite įrankį taip, kaip rekomenduojama instrukcijų vadove, kad išvengtumėte bereikalingo triukšmo lygio padidėjimo.

1.8 VIBRACIJOS PAVOJAI

- Vibracijos poveikis gali patologiškai pažeisti nervus ir kraujo cirkuliaciją rankoms ir plaštakoms.

- Dirbdami šaltu oru, dėvėkite šiltus drabužiu, o rankas laikykite šiltai ir sausai.
- Jei jaučiate kurios nors kūno dalies tirpimą, dygčiojimą, skausmą arba pirštų odos išbalimą, nebedirbkite įrankiu, informuokite savo darbdavį bei kreipkitės į gydytoją.
- Kai įmanoma, perkeltkite įrankio svorį ant stovo, įtempiklio arba pusiausviros priemonės, nes tokiu atveju bus lengviau suėmus laikyti įrankį.

1.9 PAPILDOMOS PNEUMATINIŲ IR HIDRAULINIŲ ELEKTRINIŲ ĮRANKIŲ SAUGOS INSTRUKCIJOS

- Darbinis tiekiamo oro slėgis turi būti ne didesnis nei 7 barai (100 PSI).
- Suslėgtas oras gali rimtai sužaloti.
- Niekada nepalikite veikiančio įrankio be priežiūros. Kai įrankis nenaudojamas, prieš keisdami priedus arba vykdydami remonto darbus, atjunkite oro žarną.
- Nenukreipkite spaudiklių rinktuvo oro išleidimo angos į save arba kitus žmones. Niekada nenukreipkite oro srovės į save ar kitus žmones.
- Čaižios žarnos gali rimtai sužaloti. Visada patikrinkite, ar nepažeistos ir neatsilaisvinusios žarnos bei jungiamosios detalės.
- Prieš naudojimą patikrinkite, ar nepažeistos oro linijos; visos jungtys privalo būti tvirtai užveržtos. Nemėtykite ant žarnų sunkių daiktų. Smarkus smūgis gali sukelti vidinį pažeidimą ir žarna gali pirma laiko trūkti.]
- Nukreipkite šaltą orą nuo rankų.
- Jei naudojamos universalios susukamos movos (krumpliotos movos), apsaugai nuo galimo žarnos atsikabinimo nuo įrankio arba nuo kitos žarnos, įmontuojamos fiksuojamosios šerdys ir naudojami kontrolinės saugos kabeliai.
- NEKELKITE įrankio už žarnos. Visuomet imkite už kniedytuvo rankenos.
- Neužkimškite ir neuždenkite ventiliacijos angų.
- Saugokite įrankio hidraulinę sistemą, kad į ją nepatektų purvo ir pašalinių medžiagų, antraip sutriks įrankio veikimas.
- Suslėgta alyva gali sunkiai sužaloti.
- Prieš naudojimą patikrinkite, ar nepažeistos hidraulinės žarnos. Prieš darbą visos hidraulinės jungtys turi būti švarios, gerai sukabintos ir sandarios. Nemėtykite ant žarnų sunkių daiktų. Smarkus smūgis gali sukelti vidinį pažeidimą ir žarna gali pirma laiko trūkti.
- NETRAUKITE arba nejudinkite stiprintuvo suėmę už žarnų. Visuomet naudokite įrenginio rankeną.
- Naudokite tik švarią alyvos ir pildymo įrangą.
- Galima naudoti tik rekomenduojamus hidraulinius skysčius.
- Aukščiausia hidraulinio skysčio temperatūra ties įleidimo anga yra 100 °C (212 °F).

⚠ ĮSPĖJIMAS! Nors įprastai ir teisingai naudojant spaudiklius, galimas šioks toks nusidėvėjimas ir žymių atsiradimas, juos būtina reguliariai apžiūrėti, ar nėra per didelio nusidėvėjimo ir žymių atsiradimo. Ypač svarbu atkreipti dėmesį į galvutės skersmenį, jungiamojo įtaiso galinio griebtuvo sukibimo sritį arba didelę jungiamojo įtaiso koroziją ir spaudiklio deformaciją. Spaudikliai, kurie sudyla eksploataavimo metu, gali priverstinai išsprūsti iš įrankio. Kliento atsakomybė yra užtikrinti, kad spaudikliai yra pakeisti iki jiems pasiekus perteklinį eksploataavimo lygį arba nusidėvėjimą ir visada iki maksimalaus rekomenduojamo operacijų skaičiaus. Susisiekite su bendrovės STANLEY Engineered Fastening“ atstovu, kuris, kalibruotu matavimo įrankiu išmatavęs plėstuvo apkrovą, informuos jus, koks tai skaičius.

„STANLEY Engineered Fastening“ politika – nuolat plėtoti ir tobulinti gaminius. Todėl mes pasiliegame teisę be išankstinio įspėjimo keisti bet kurio gaminio specifikacijas.

2. SPECIFIKACIJOS

2.1 07536 ĮRANKIO SPECIFIKACIJA

Oro slėgis	Minimalus – maksimalus	5–7 bar (70–100 lbf/in ²)
Reikiamas nesuslėgto oro tūris:	Esant 5,1 bar /75 lbf/in ²	2,6 litro (0,09 ft ³)
Eiga	Minimalus	25 mm (1 col.)
Traukos jėga	Esant 5,5 bar /80 lbf/in ²	3,89 kN (875 lbf)
Ciklo trukmė	Apie	1 sek.
Svoris	Pistoletas	1,2 kg (2.64 lb)

2.2 07531 STIPRINTUVO SPECIFIKACIJA

Oro slėgis	Minimalus – maksimalus	5–7 bar (70–100 lbf/in ²)
Stiprinimo santykis		32:1

Triukšmo reikšmės nustatomos pagal ISO 15744 ir ISO 3744.		07536
A svertinis garso galios lygis dB(A), L_{WA}	Triukšmo neapibrėžtis: $k_{WA} = 2,3$ dB(A)	79,5 dB(A)
A svertinis garso emisijos slėgio lygis darbo vietoje dB(A), L_{pA}	Triukšmo neapibrėžtis: $k_{pA} = 2,3$ dB(A)	68,5 dB(A)
C svertinis pikinis garso emisijos slėgio lygis dB(C), L_{pC} , pikinis	Triukšmo neapibrėžtis: $k_{pC} = 2,5$ dB(C)	96,9 dB(C)
Vibracijos vertės nustatomos pagal vibracijos tyrimų taisykles ISO 20643 ir ISO 5349.		07536
Vibracijos emisijos lygis, a_{hd} :	Vibracijos neapibrėžtis: $k = 0,25$ m/s ²	0,97 m/s ²
Deklaruosios vibracijos emisijos vertės pagal EN 12096		

3. NAUDOJIMO PASKIRTIS

Pneumatinis įrankis 07536 yra lengvas rankinis įrankis, skirtas 1/16 col. Avlug® tvirtinimo elementams kniedyti, todėl idealiai tinka montuoti partijomis arba linija tiekiamoms tvirtinimo detalėms įvairiose pramonės srityse.

Rankinis įtaisas ir stiprintuvas buvo išbandyti kaip atskiri elementai ir derinyje. Jie turi būti naudojami kartu, nenaudokite jų kitam tikslui. Informacijos apie sujungimą žr. „Eksploatacijos pradžia“ 303–306 psl.

Dalių numeriai pateikti įrankio, bet ne ant priekinės dalies įtaiso, sumontavimo tvarka.

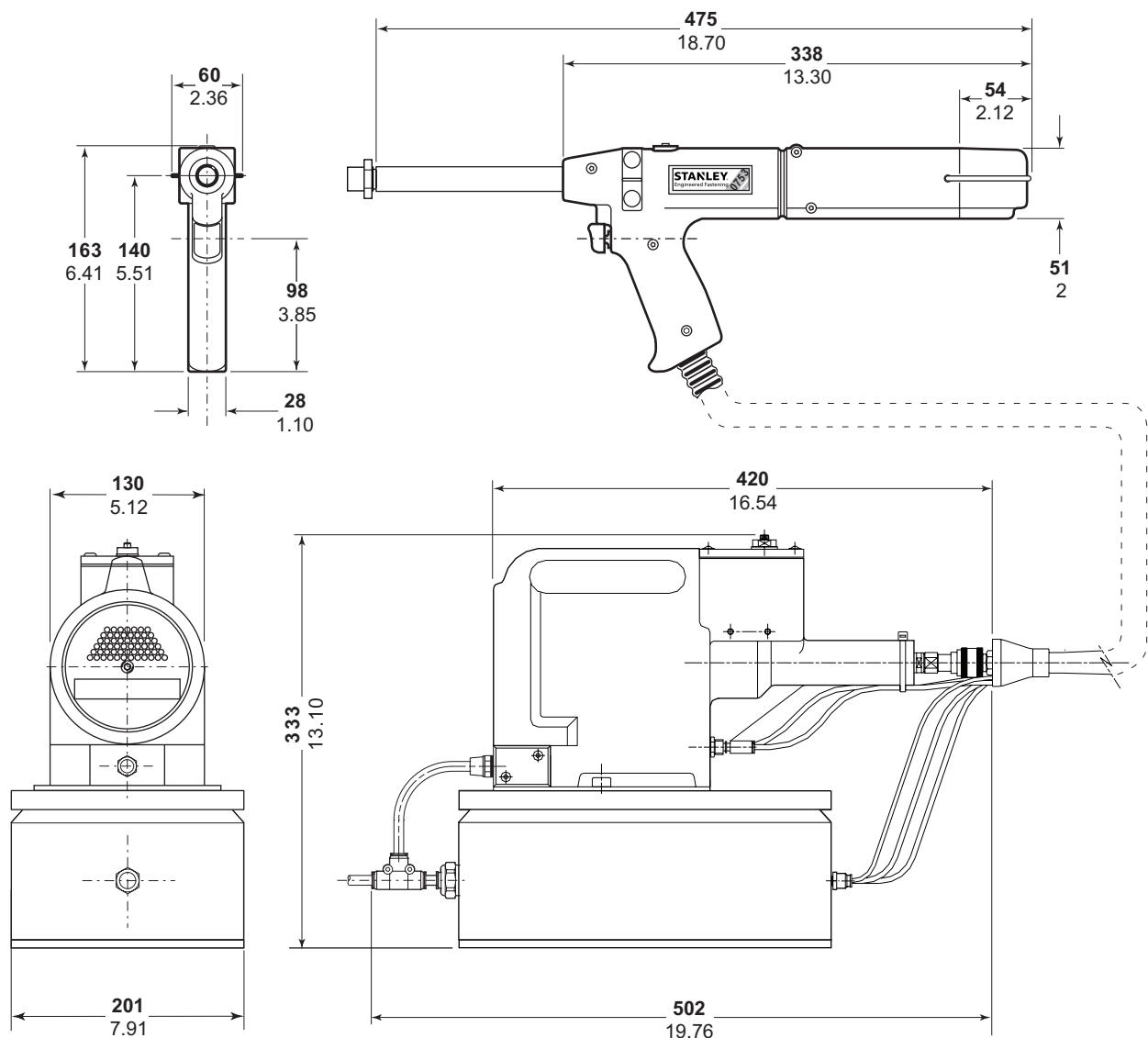
Įrankio, skirto 07536 modeliui, numeris yra 07536-02200.

Žr. bendruosius mazgus 309–316.

NENAUDOKITE drėgnoje aplinkoje, šalia liepsniųjų skysčių ar dujų.

3.1 ĮRANKIO MATMENYS. 07536 MODELIS

Dalies numeris 07536-02100



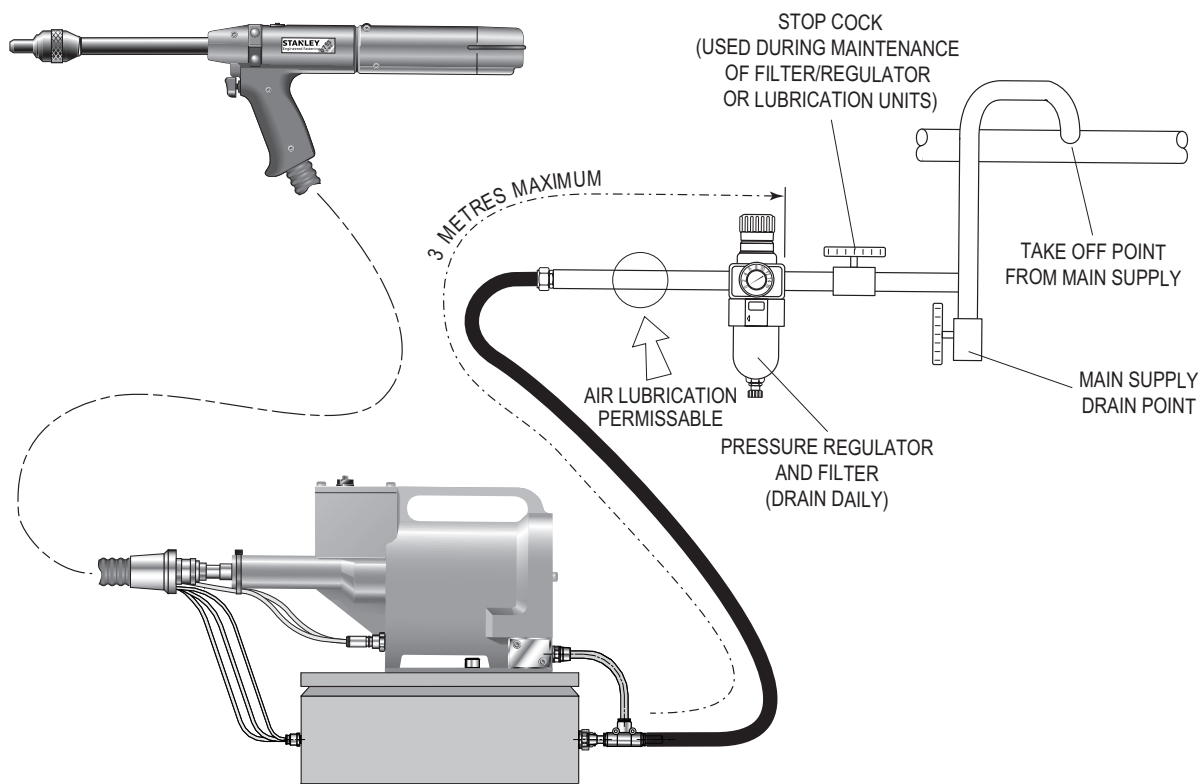
Matmenys mm.

4. EKSPLOATACIJOS PRADŽIA

4.1 ORO TIEKIMAS

Visuose įrankiuose naudojamas suslėgtasis oras, kurio optimalus slėgis yra 5,5 barai. Pagrindinėje oro tiekimo sistemoje rekomenduojame naudoti slėgio reguliatorius ir automatines tepimo alyva / filtravimo sistemas. Siekiant užtikrinti maksimalią įrankio naudojimo trukmę ir minimalią techninę priežiūrą, sistemas reikia įrengti ne toliau kaip 3 metrus nuo įrankio (žr. diagramą toliau).

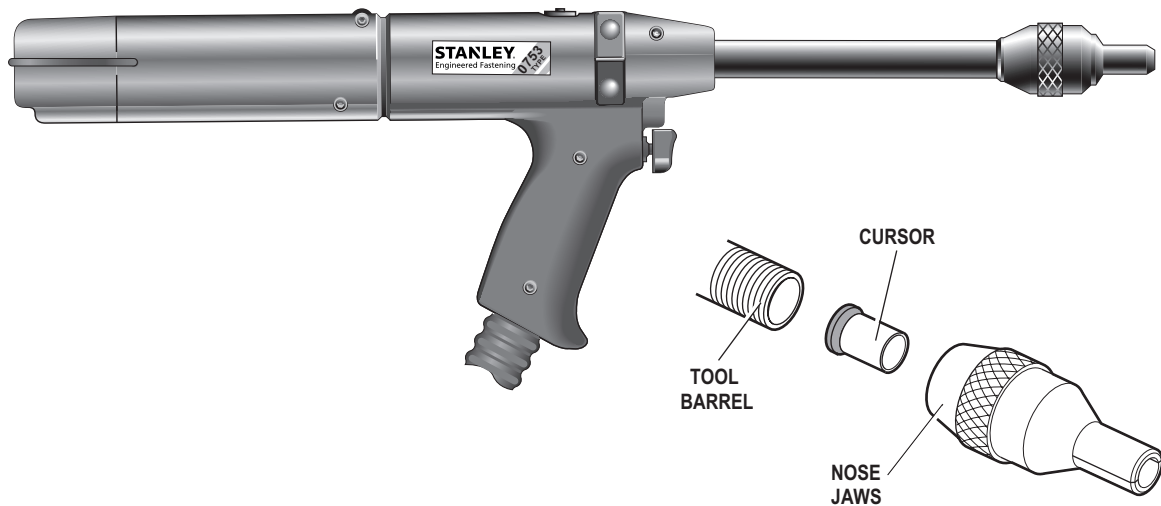
Pneumatinėse žarnos susidaro minimalus darbinis efektyvusis slėgis, kuris yra lygus 150 % maksimalaus sistemoje sudaromo slėgio arba 10 barų (pagal tai, kuris aukštesnis). Pneumatinės žarnos privalo būti atsparios alyvai, jų išorė turi būti atspari nudilimui ir sustiprinta, nes sudėtingomis darbo sąlygomis žarnos gali būti pažeistos. Visos žarnos TURI būti mažiausiai 6,4 milimetro arba 1/4 col. vidinio skersmens.



Prijungdami įrankį prie stiprintuvo ir pagrindinės oro tiekimo sistemos, atlikite toliau aprašytus veiksmus:

- Užstumkite didelės hidraulinės žarnos, einančios nuo įrankio, galą ant greitai išardomos jungties stiprintuvo gale.
- Ant stiprintuvo priekinio paviršiaus (žr. 309 psl.):
 - Stumkite mėlyną pneumatinę (4 mm išorinio skersmens) liniją į reduktoriaus tvirtinimo elementą, esantį kairės pusės pertvaros jungtyje.
 - Stumkite juodą pneumatinę (4 mm išorinio skersmens) liniją į plastikinę įvorę, esančią dešinės pusės pertvaros jungtyje.
- Ant valdymo dėžutės priekinio paviršiaus (žr. 309 psl.):
 - Įspauskite sidabrinę pneumatinę (3 mm išorinio skersmens liniją) į reduktorių, pažymėtą „Žymeklis“ ant valdymo dėžutės priekinio paviršiaus, kairėje pusėje.
 - Įspauskite pilką pneumatinę (4 mm išorinio skersmens liniją) į reduktorių, pažymėtą „Galiniai griebtuvai“ ant valdymo dėžutės priekinio paviršiaus, viduryje.
 - Įspauskite baltą pneumatinę (4 mm išorinio skersmens liniją) į reduktorių, pažymėtą „Signalas“ ant valdymo dėžutės priekinio paviršiaus, dešinėje pusėje.
- Tarp kištukinės jungties stiprintuvo gale ir pagrindinės oro tiekimo sistemos uždėkite pneumatinę žarną.

4.2 PNEUMATINIAI ŽYMEKLIAI



Pneumatinio žymeklio pasirinkimas

Priekinės dalies įtaiso komponentus žr. atskirame duomenų lape 07900-00863.

ŽYMEKLIS

SVARBU

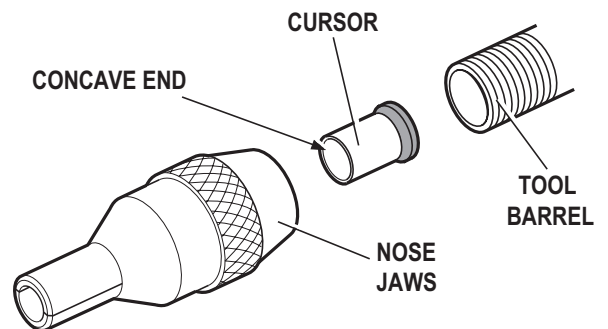
Neteisingai įstatytas žymeklis neleis užtaisyti įrankio ir blokuos tvirtinimo detalių tiekimą.

Nors įrankio pristatymo metu žymeklis bus įstatytas teisingai, rekomenduojame prieš tvirtinant priekinės dalies įtaisą, patikrinti žymeklio orientavimą. Šiek tiek įgaubtas žymeklio antgalis turi būti nukreiptas į priekinę įrankio pusę, kaip rodoma iliustracijoje.

Norėdami, kad žymeklio orientavimas būtų atvirkštinis, atlikite šiuos veiksmus:

Atliekant šią procedūrą būtina dirbti labai atsargiai. Dirbkite atsargiai, kad išvengtumėte vamzdžio ir išsikišančio spaudiklio.

- Jei yra, nuimkite priekinės dalies įtaisą.
- Iki galo įstatykite į įrankį tuščią spaudiklį.
- Uždarykite galinius griebtuvus **32**, įjungdami galinių griebtuvų jungiklį (**18** ir **19** elementai).
- Netrukus iš vamzdžio išsikiš žymeklis.
- Atidarykite galinius griebtuvus **32**, išjungdami galinių griebtuvų jungiklį (**18** ir **19** elementai), taip bus atleistas spaudiklis.
- Išimkite žymeklį iš spaudiklio ir įstatykite jį į vamzdį.



4.3 ĮRANKIO UŽTAISYMAS IR UŽTAISYMAS IŠ NAUJO

SVARBU

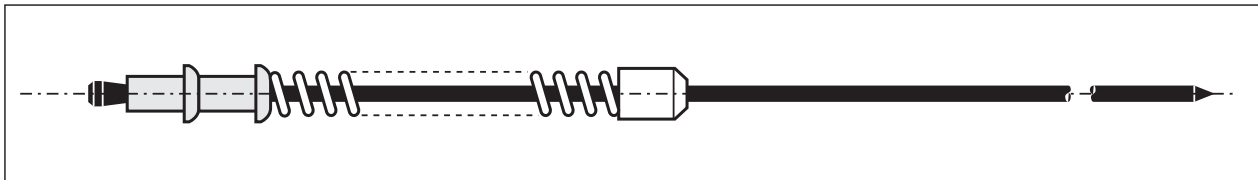
Įrankio užtaisymo ir priekinės dalies įtaiso uždėjimo ant įrankio procedūra yra nedaloma.

Užsakant visą įrankį ar sistemą paprastai pristatomas ir priekinės dalies įtaisas, reikalingas kniedijamai tvirtinimo detalei.

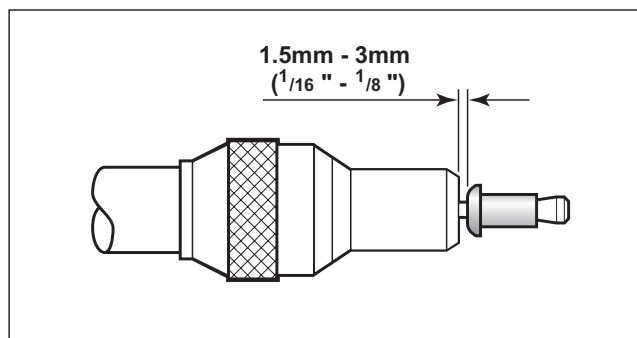
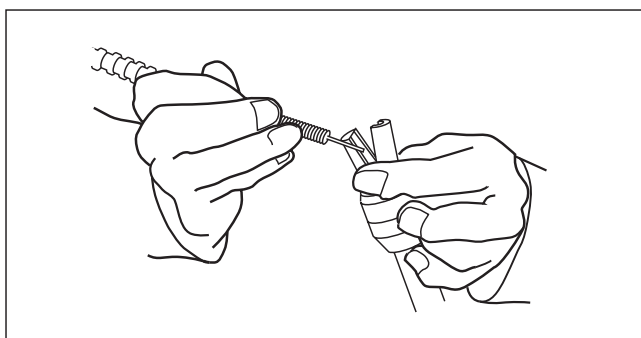
Jei gavote priekinius griebtuvus, spaudiklį ir spaudiklio kartotuvo spyruokles, toliau užtaisykite įrankį ir uždėkite priekinės dalies įtaisą kaip parodyta toliau.

Įrankio užtaisymas

- Prijunkite oro tiekimo sistemą prie įrankio.
- Atidarykite galinius griebtuvus **32**, kurie suima spaudiklį, išjungdami galinių griebtuvų jungiklį (**18** ir **19** elementai).
- Prisukite pasirinktus priekinės dalies griebtuvus prie įrankio vamzdžio **44**.
- * Įstatykite spaudiklį į galinę tvirtinimo detalių dalį, panaudodami popierinį skirtuką.
- Slinkite spaudiklio kartotuvo spyruoklę ant spaudiklio, užtikrindami teisingą orientavimą.



- Suspausdami galinę spaudiklio dalį, nuplėškite popierinį skirtuką nuo tvirtinimo detalių.
- Atverkite priekinės dalies griebtuvus arba sukdami kumštelių griebtuvų išorės žiedą, arba stumdami į išorę griebtuvų galus, kaip nurodoma iliustracijoje kairėje.
- Įstatykite iš anksto surinktą spaudiklį, spaudiklio kartotuvo spyruoklę ir tvirtinimo detales į priekinius griebtuvus, kol pirmoji kniedijama tvirtinimo detalė išsikiš iš priekinių griebtuvų.
- Uždarykite priekinius griebtuvus ir sureguliuokite juos taip, kad pirmoji tvirtinimo detalė išsikištų 1,5–3 mm (nuo 1/16 iki 1/8 col.), kaip parodyta iliustracijoje dešinėje.
- Uždarykite galinius griebtuvus **32**, kad spaudiklis būtų suimtas, įjungdami galinių griebtuvų jungiklį (**18** ir **19** elementai).

**Pakartotinis įrankio užtaisymas**

- Atidarykite galinius griebtuvus **32**, išjungdami galinius griebtuvus (**18** ir **19** elementai).
- Atidarykite priekinius griebtuvus ir ištraukite tuščią spaudiklį ir spaudiklio kartotuvo spyruoklę iš įrankio.
- Iš naujo užtaisykite įrankį, vadovaudamiesi anksčiau pateiktomis instrukcijomis, pradėkite nuo •*.

Įrankio nustatymas. Tik reguliuojamiems priekinės dalies įtaisams

Įstatykite iš anksto sumontuotą spaudiklį (žr. Įrankio užtaisymas •*) arba vienkartinį spaudiklį iki ribotuvo galinių griebtuvų stūmoklio mazge **60**.

Laikydami spaudiklį atidarykite galinius griebtuvus **32**, kurie suima spaudiklį, įjungdami galinių griebtuvų jungiklį (**18** ir **19**).
Prisukite antveržlę prie įrankio vamzdžio **44**.

Įsukite priekinės dalies įtaisą į vamzdį **44**.

Sureguliuokite priekinės dalies įtaisą taip, kad pirmoji tvirtinimo detalė išsikištų 1,5–3 mm (nuo 1/16 iki 1/8 col.), kaip parodyta iliustracijoje 305 psl.

Sukite antveržlę į priekinės dalies įtaisą, kad priekinės dalies įtaiso griebtuvų mazgas nesisuktų.

Pakartotinis įrankio užtaisymas

Atidarykite įrankio galinius griebtuvus, išjungdami galinių griebtuvų jungiklį (18–19).

Atidarykite griebtuvus ir ištraukite tuščią spaudiklį ir kartotuvo spyruoklę iš įrankio.

Įstatykite naują spaudiklį iki ribotuvo įrankyje ir uždarykite galinius griebtuvus **32**, kurie suima spaudiklį, įjungdami galinių griebtuvų jungiklį (18 ir 19).

Uždarykite galinius griebtuvus **32**.

4.4 NAUDOJIMAS**SVARBU**

Prieš pradėdami dirbti įrankiu turite patikrinti, ar tinkama žymeklio ir priekinės dalies įtaiso kryptis.

- Iki galo įspauskite tvirtinimo detalę, išsikišančią iš priekinių griebtuvų į darbinio paviršiaus skylę, įsitikinkite, kad įrankis yra laikomas statmenai.
- Neatleisdami spauskite gaiduką, spaudiklio galvutė yra traukiama per tvirtinimo detalę, įleisdama tvirtinimo detalę į darbinį paviršių.
- Nuimkite įrankį.
- Atleiskite gaiduką. Kita tvirtinimo detalė bus automatiškai paduodama per priekinius griebtuvus, paruošta kniedyti.

5. ĮRANKIO PRIEŽIŪRA

Priežiūros darbus ir išsamų patikrinimą būtina kasmet arba kas 500 000 ciklų (pagal tai, kas pirmiau).

SVARBU

Darbdavio atsakomybė yra užtikrinti, kad susiję personalo nariai gavo įrankio techninės priežiūros instrukcijas. Įrankio techninės priežiūros arba remonto darbų negali atlikti pats operatorius, nebent jis tinkamai išmokytas.

5.1 PNEUMATINĖ VALDYMO DĖŽUTĖ

SVARBU

Jokiu būdu negalima atidaryti pneumatinės dėžutės. Dėžutė yra uždaras elementas. Visi reikiami vidiniai sureguliuojimai yra atlikti, todėl jų negalima keisti ar modifikuoti. Šią valdymo dėžutę gali išmontuoti tik įgaliotas „STANLEY Engineered Fastening“ personalas.

▲ PERSPĖJIMAS! Nemetalinių įrankio dalių niekada nevalykite tirpikliais ar kitais stipriais chemikalais. Šie chemikalai gali susilpninti šioms dalims panaudotas plastmasines medžiagas.

5.2 KASDIEN

- Kasdien, prieš naudojimą arba pirmą kartą pradėdant naudoti įrankį. Prieš naudojimą arba pirmą kartą naudodamiesi įrankiu, įpilkite į įrankio oro įleidimo angą kelis lašus švarios, neklampios tepimo alyvos. Jeigu įrankis bus naudojamas be perstojo, oro žarną reikia atjungti nuo pagrindinės oro tiekimo sistemos ir įrankį tepti kas dvi ar tris valandas.
- Patikrinkite, ar nėra oro ir (arba) alyvos nuotėkių. Pakeiskite pažeistas žarnas ir movas.
- Jeigu slėgio reguliatoriuje nėra filtro, prieš prijungdami oro žarną prie stiprintuvo, išvalykite oro liniją, kad joje neliktų susikaupusių nešvarumų arba vandens. Jeigu įrengtas filtras, ištuštinkite jį.
- Patikrinkite, ar tinkamas priekinės dalies įtaisas.
- Reguliariai tikrinkite, ar nepažeisti ir nesusidėvėję spaudikliai, stebėdami kniedijimo vietas (skaitykite saugos instrukcijas 298–300 psl.).

5.3 KAS SAVAITĘ

- Atlikite visas anksčiau skyriuje „Kasdien“ aprašytas procedūras.
- Nuimkite, apžiūrėkite, išvalykite ir patepkite galinius griebtuvus (žr. „Galinių griebtuvų cilindras“ ir „Techninės priežiūros skyrius“ 310 psl.).
- Patikrinkite, ar alyvos lygis stiprintuvo talpykloje yra maždaug 12 mm (1/2 col.) žemiau skaidrios dangčio plokštės.

5.4 MOLIBDENO DISULFIDO IR LIČIO TEPALAS EP 3753 SAUGOS DUOMENYS

Tepalą galima užsisakyti kaip atskirą prekę. Dalies numerį rasite Priežiūros rinkinyje, 308 puslapyje.

Pirmoji pagalba

PATEKUS ANT ODO

Kadangi tepalas yra visiškai atsparus vandeniui, geriausias būdas nuvalyti juo paveiktą odą yra emulsinis odos valiklis.

PRARIJUS

Liepkite nukentėjusias išgerti 30 ml pieno su magnio oksidu, pageidautina pieno puodelyje.

PATEKUS Į AKIS

Dirgina, tačiau nėra pavojingas. Praplaukite vandeniu ir kreipkitės į gydytoją.

Gaisras

PLIŪPSNIO TAŠKAS: Virš 220 °C.

Neklasifikuojamas kaip degus.

Tinkamos gesinimo priemonės: CO₂, halonas arba vandens čiurkšlė, jei dirba patyręs operatorius.

Aplinka

Surinkite deginimui arba šalinimui aprobuotoje įstaigoje.

Tvarkymas

Naudokite apsauginį kremą arba alyvai atsparias pirštines.

Laikymas

Laikykite atokiau nuo šilumos ir oksiduotis galinčių medžiagų.

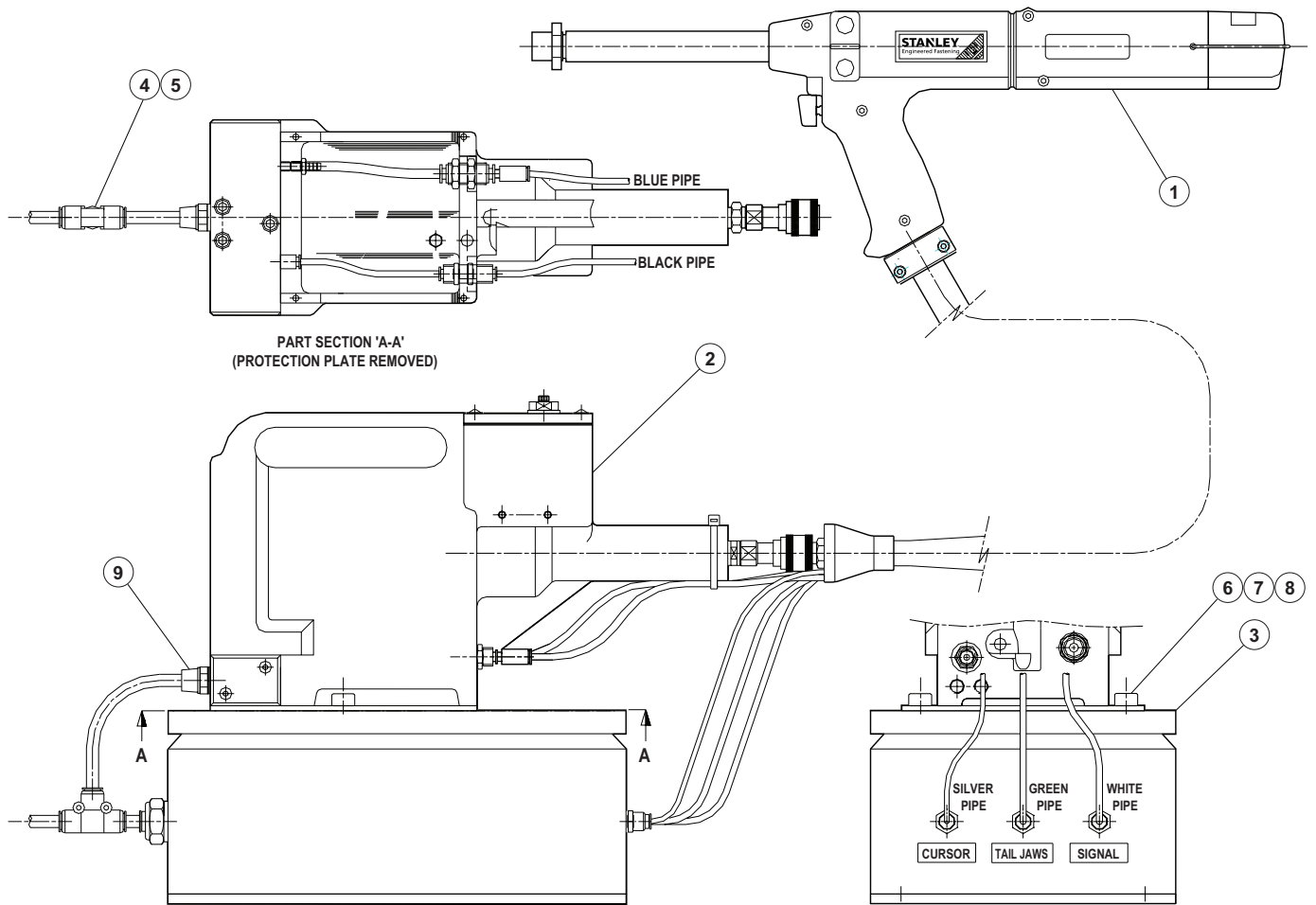
5.5 PRIEŽIŪROS RINKINYS

Visiems priežiūros darbams rekomenduojame naudoti Priežiūros rinkinį (dalies numeris 07900-05300).

PRIEŽIŪROS RINKINYS					
DALIES NR.	APRAŠAS	NR. IŠ	DALIES NR.	APRAŠAS	NR. IŠ
07900-00157	SPYRUOKLINIO ŽIEDO REPLĖS	1	07900-00352	SANDARIKLIO NUĖMIMO KABLYS	1
07900-00006	MENTELĖ	1	07900-00710	VAMZDŽIO KAMŠČIO NUĖMIMO VERŽLIARAKTIS	1
07900-00446	TRAUKTUVAS	1	07900-00725	CILINDRINĖ FORMA	1
07900-00603	VAMZDŽIO SPAUSTUVO GRIEBTUVAI	1	07900-00243	ATSUKTUVAS	1
07900-00520	$\frac{3}{8}$ COL. STRYPAS	1	07900-00717	STIPRINTUVO VERŽLIARAKTIS	1
07900-00521	$\frac{1}{4}$ COL. STRYPAS	1	07900-00013	$\frac{1}{8}$ COL. ŠEŠIABRIAUNIS LENKTAS VERŽLIARAKTIS	1
07900-00602	SANDARINIMO ŽIEDO SURINKIMO CILINDRINĖ FORMA	1	07900-00617	„LOCTITE® MULTI-GASKET 574“ 50 ml PAKUOTĖ	1
07900-00595	18 mm VERŽLIARAKTIS	1	07900-00469	2,5 mm ŠEŠIABRIAUNIS LENKTAS RAKTAS	1
07900-00434	32 mm VERŽLIARAKTIS	1	07900-00351	3 mm ŠEŠIABRIAUNIS LENKTAS RAKTAS	1
07900-00237	$\frac{3}{8}$ COL. × $\frac{5}{16}$ COL. B.S.W. VERŽLIARAKTIS	1	07900-00224	4 mm ŠEŠIABRIAUNIS LENKTAS RAKTAS	1
07900-00012	$\frac{9}{16}$ COL. × $\frac{5}{8}$ COL. VERŽLIARAKTIS	1	07900-00225	5 mm ŠEŠIABRIAUNIS LENKTAS RAKTAS	1
07900-00008	$\frac{7}{16}$ COL. × $\frac{1}{2}$ COL. VERŽLIARAKTIS	1	07992-00020	80 g SKARDINĖ MOLIBDENO DISULFIDO IR LIČIO TEPALO EP 3753	1

Pastaba. Jei nenurodyta kitaip, veržliarakčių dydžiai matuojami plokščiuosiuose galuose.

5.6 PNEUMATINIO ŽYMEKLIO ĮRANKIS, STIPRINTUVO IR VALDYMO DĖŽUTĖS MAZGAS 07536-02100



EIL. NR.	DALIES Nr.	APRAŠAS	NR. IŠ
1	07536-02200	PNEUMATINIO ŽYMEKLIO RANKINIS ĮRANKIS	1
2	07531-02200	STIPRINTUVO ĮRANKIS	1
3	07007-02024	PNEUMATINIS ŽYMEKLIS, VALDYMO DĖŽUTĖ	1
4	07005-10071	T FORMOS JUNGTIS	1
5	07005-10072	8 MM VAMZDELIAI (2,50 m)	1
6	74405-12080	MODIFIKUOTAS M8 VERŽLĖS ĮDĖKLAS	8
7	07001-00469	M8 × 15 VARŽTAS SU LIZDINE GALVUTE	2
8	07002-00105	M8 POVERŽLĖ	4
9	07005-01573	8 MM VAMZDŽIO KIŠTUKINĖ JUNGTIS	1
10	07005-01977	6 MM / 4 MM KIŠTUKINIS / LIZDINIS REDUKTORIUS	1

6. TECHNINĖ PRIEŽIŪRA

Kasmet arba kas 500 000 darbo ciklų (pagal tai, kas įvyksta anksčiau) visiškai išardykite įrankį ir naudokite naujus komponentus vietoje nusidėvėjusių, sugadintų arba kaip rekomenduojama. Visi sandarinimo žiedai ir tarpinės turėtų būti atnaujinami ir tepami molibdeno disulfido-ličio tepalu EP 3753 tepalu prieš surinkimą.

SVARBU

Saugos instrukcijos pateiktos 4 psl.

Darbdavio atsakomybė yra užtikrinti, kad susiję personalo nariai gavo įrankio techninės priežiūros instrukcijas. Įrankio techninės priežiūros arba remonto darbų negali atlikti pats operatorius, nebent jis tinkamai išmokytas.

Prieš pradėdant priežiūros ar ardymo darbus reikia atjungti oro liniją, nebent būtų nurodyta kitaip.

Visus ardymo darbus rekomenduojama atlikti švarioje vietoje.

Prieš išardydami įrankį turite nuimti priekinės dalies įtaisą.

Prieš pradėdant visą įrankio priežiūrą, rekomenduojame pradėti nuo antrinių mazgų išardymo toliau parodyta tvarka: atjungti hidraulinę žarną nuo stiprintuvo ir gaiduko pneumatines linijas nuo stiprintuvo ir valdymo dėžutės, tada atskirti pistoleto bloką nuo stiprintuvo bloko.

Prieš atliekant techninės priežiūros darbus reikia pašalinti potencialiai pavojingas medžiagas, kurios galėjo nusėsti mašinoje darbo proceso metu.

6.1 07536-02200 IŠARDYMAS

GALINIŲ GRIEBTUVŲ CILINDRAS

- Rankomis pastumkite fiksuojamąjį spaustuką **53** aukštyn ir nustumkite galinį dangtelį **59**.
- Šešiabriauniu lenktu raktu* išsukite vieną varžtą su galvute **6**, tada įsitikinkite, kad išleistas visas galinių griebtuvų cilindre susikaupęs oras. Išsukite antrąjį varžtą su galvute **6**.
- Ištraukite galinį kamštį **50**. **Pastaba.** Tam, kad ištraukti būtų lengviau, kamščio galiniame paviršiuje yra 5 mm sriegis.
- Ištraukite pneumatinius galinių griebtuvų komponentus, tai yra: galinių griebtuvų stūmoklio mazgą **60**, ribotuvą **52**, apvalų sandarinimo žiedą **12** ir griebtuvus **32**.
- Ištraukite likusius komponentus: spyruoklę **36** ir griebtuvų korpusą **42**.
- Laisvas spyruoklės **36** ilgis turi būti 38,1 mm (1,5 col.). Prireikus pakeiskite.
- Išimkite stūmoklio mazgo sandariklio apvalų sandarinimo žiedą **11**.
- Atjunkite pneumatinio žymeklio koncertinos vamzdelį (žalią) **49** nuo alkūnės jungties **22**.
- Atjunkite pneumatinio žymeklio koncertinos vamzdelį (sidabrinį) **38** nuo dygiuotosios alkūnės **30**.
- Šešiabriauniu raktu* išimkite visus penkis lietas rankenos dalis laikančius varžtus **3**, **4** ir visas keturias veržles **8** iš įrankio rankenos.
- Suimkite vamzdį **44** spaustuvais, naudodami minkštus griebtuvus*, kad nepažeistumėte.
- Vamzdelio formos veržliarakčiu* atsukite vamzdžio kaištį **46**, veržliarakčiu atviru galu* prilaikykite vamzdį **44**, kad nesisuktų.
- Ištraukite galinių griebtuvų cilindą **47** iš įrankio.
- Nuimkite apvalų sandarinimo žiedą **14**, guminę juostą **41** ir vamzdžio grįžtamąją spyruoklę **37**.
- Prieš sumontuodami patepkite galinių griebtuvų **32** paviršių, besiliečiantį prie griebtuvų korpuso **42**, molibdeno sulfido ir ličio tepalu.
- Sumontuokite atvirkštine išardymui tvarka.

HIDRAULINIS STŪMOKLIS

- Nuimkite galinių griebtuvų cilindą **47**, kaip aprašyta anksčiau.
- Suimkite korpusą **45** spaustuvais, naudodami minkštus griebtuvus, kad nepažeistumėte, nuimkite eigos ribotuvą **40**.

* Nurodo elementus, esančius 0753 MkII priežiūros rinkinyje. Išsamų dalių sąrašą žr. 308 psl. Visi skaičiai **paryškintu** šriftu siejami su bendraisiais mazgais ir dalių sąrašais 312–313 psl.

- Lenktu šešiabriauniu veržliarakčiu* atlaisvinkite varžtą **5**, kuris prispaudžia jungiklių bloką **54** prie vamzdžio **44**.
- Tvirtai laikydami įrankį ištraukite vamzdį **44** ir korpuso **45** (iš galvutės mazgo vidaus gali ištekėti nedidelis kiekis hidraulinės alyvos).
- Atsargiai išimkite stūmoklį **39**, kad nepažeistumėte galvutės kanalo.
- Nuimkite sandariklį **16**.
- Sandariklį **17** sunku išimti jo nepažeidus, tačiau valant jis gali likti vietoje (jei nebus pažeistas valant). Tačiau jei sandariklį **17** reikia atnaujinti, atlikite šiuos veiksmus:
- Mentelė* išstumkite sandariklį **17** iš korpuso **45**, būkite atsargūs, kad nepažeistumėte korpuso ertmės ir kanalų. Išimtą sandariklį **17** REIKIA išmesti.
- Norėdami pakeisti sandariklį **17**, atsukite išleidimo kamščio mazgą **43**, kol vidinis paviršius bus viename lygyje su korpuso **45** vidiniu sriegiu. Taip bus galima sklandžiai įstumti naują sandariklį **17** per korpuso galą **45**.
- Įsitikinkite, kad sandariklis **17** yra gerai pateptas ir tinkamai uždėtas: sandariklio atvirasis galas nukreiptas į galinius griebtuvus.
- Sumontuokite atvirkštine išardymui tvarka.

GAIDUKO MAZGAS

- Norėdami išardyti / remontuoti mazgą, nuo įrankio nuimkite dangčius, kaip aprašyta anksčiau.
- Atsargiai, kad nepažeistumėte, atjunkite visas oro žarnas nuo mazgo. Išimkite mazgą.
- Veržliarakčiu* išsukite fiksatorių **34** ir nuimkite jį. Atsargiai prilaikykite spyruoklę **31**.
- Išstumkite apvalų sandarinimo žiedą **10**, darykite tai atsargiai, kad nepažeistumėte suklio **35** ir fiksatoriaus **34** lizdų.
- Išvalykite ir vėl sumontuokite, naudodami naują apvalų sandarinimo žiedą **10**.
- Patikrinkite spyruoklės **31** ilgį, turi būti 12,7 mm (0,5 col.) laisvasis ilgis, jei reikia, pakeiskite.
- Sumontuokite atvirkštine išardymui tvarka.

GALINIŲ GRIEBTUVŲ ĮJUNGIMO / IŠJUNGIMO VOŽTUVAS

- Įrenginys yra sukonstruotas taip, kad jo naudojimo metu reikalautų kuo mažiau techninės priežiūros.
- Jei būtina išardyti vožtuvą, atlikite šiuos veiksmus:
- Nuimkite gaiduko korpusą **56**, kaip aprašyta skyriuje „Hidraulinis stūmoklis“.
- Atsuktuvu* atsargiai nuimkite chromuotą žvaigždės formos poveržlę **18** nuo pneumatinės galinių griebtuvų ritės **55** ir išmeskite poveržlę.
- Ištraukite pneumatine galinių griebtuvų ritę **55** iš jungiklio bloko **54**.
- Atsargiai, stengdamiesi nepažeisti pneumatinės galinių griebtuvų ritės **55**, nuimkite apvalius sandarinimo žiedus **12**.
- Išvalykite ir uždėkite naują sandarinimo žiedą **12**, naudodami cilindrinę sumontavimo formą*, tada įstatykite jungiklio bloką **54**, atkreipdami dėmesį į jo kryptį.
- Uždėkite naują chromuotą žvaigždės formos poveržlę **18** suspausdami spaustuvoose minkštais griebtuvais, kad nepažeistumėte. PER DAUG NESPAUSKITE.
- Sumontuokite atvirkštine išardymui tvarka.

RANKENA IR GALINIS DANGTELIS

- Išvalykite lietas dalis, patikrinkite, ar nėra įtrūkimų ar kitų pažeidimų.

ŽYMEKLIS

- Kartas nuo karto nedideliu šviesios alyvos kiekiu išvalykite ir patepkite pneumatinio žymeklio mazgą.

SVARBU

**Atlikdami kasdienę ir kasavaitinę priežiūrą patikrinkite įrankį.
Jei įrankis buvo išardytas ir prieš juo dirbant VISADA būtina jį pripildyti.**

* Nurodo elementus, esančius 0753 MkII priežiūros rinkinyje. Išsamų dalių sąrašą žr. 308 psl.
Visi skaičiai **paryškintu** šriftu siejami su bendraisiais mazgais ir dalių sąrašais 312–313 psl.

6.3 BAZINIO ĮRANKIO 07536-02200 DALIŲ SĄRAŠAS

07536-02200 DALIŲ SĄRAŠAI										
EIL. NR.	DALIES Nr.	APRAŠAS	KIEKIS	ATSARGINĖS DALIES	EIL. NR.	DALIES Nr.	APRAŠAS	KIEKIS	ATSARGINĖS DALIES	
1	07007-00392	Laidu virvė (NEPARODYTA)	1	-	34	07220-00803	FIKSATORIUS	1	-	
2	07001-00499	M3 x 5 ILGAS REGULIAVIMO VARŽTAS SU LIZDINE GALVUTE	3	-	35	07241-00208	SUKLYS	1	-	
3	07001-00262	M4x22 ILGAS VARŽTAS SU LIZDINE GALVUTE	1	-	36	07154-00404	SPYRUOKLĖ	1	-	
4	07001-00401	M4x10 ILGAS VARŽTAS SU LIZDINE GALVUTE	4	-	37	07490-03002	VAMZDŽIO GRĮŽTAMOJI SPYRUOKLĖ	1	-	
5	07001-00404	M5x6 ILGAS REGULIAVIMO VARŽTAS SU LIZDINE GALVUTE	1	-	38	07536-02211	3 MM PNEUMATINIO ŽYMEKLIO KONCERTINOS VAMZDELIS, SIDABRINIS	1	-	
6	07001-00504	M4x6 ILGAS VARŽTAS SU LIZDINE GALVUTE	2	2	39	07536-00203	STŪMOKLIS	1	-	
7					40	07530-00204	EIGOS RIBOTUVAS	1	-	
8	07002-00134	M4 ŠEŠIABRIAUJĖ VERŽLĖ	4	-	41	07530-00206	GUMINĖ JUOSTA	1	1	
9	07002-00153	M4 POVERŽLĖ [PLASTIKINĖ]	2	-	42	07536-00208	GRIEBTUVŲ KORPUSAS	1	-	
10	07003-00022	APVALUS SANDARINIMO ŽIEDAS	1	-	43	07530-00500	ISLEIDIMO KAMŠČIO MAZGAS [62-65 ELEMENTAI] ●	1	-	
11	07003-00113	APVALUS SANDARINIMO ŽIEDAS	3	3	44	07536-02201	VAMZDIS	1	-	
12	07003-00121	APVALUS SANDARINIMO ŽIEDAS	3	3	45	07530-02202	KORPUSAS	1	-	
13	07003-00142	1/8 COL. BSP SUTVIRTINTAS SANDARIKLIS	1	1	46	07530-02205	VAMZDŽIO KAMŠČIS	1	-	
14	07003-00167	APVALUS SANDARINIMO ŽIEDAS	1	1	47	07536-02207	GALINIŲ GRIEBTUVŲ CILINDRAS	1	-	
15	07003-00386	APVALUS SANDARINIMO ŽIEDAS	2	-	48	07530-02210	ETIKETĖ	2	-	
16	07003-00236	SANDARIKLIS [DINAMINIS]	1	1	49	07536-02212	4 MM PNEUMATINIO ŽYMEKLIO KONCERTINOS VAMZDELIS, ŽALIAS	1	-	
17	07003-00237	SANDARIKLIS [STATINIS]	1	-	50	07536-02213	GALINIS KAMŠČIS	1	-	
18	07004-00058	1/8 COL. CHROMUOTA ŽVAIGŽDĖS FORMOS POVERŽLĖ	1	-	51	07530-00310	UŽPILDYMO KAMŠČIS	2	-	
19	07004-00059	1/8 COL. JUODA ŽVAIGŽDĖS FORMOS POVERŽLĖ	1	-	52	07536-02214	RIBOTUVAS	1	-	
20	07005-10073	3 MM JUNGTTIS	1	-	53	07530-02220	SPAUSTUKAS	1	-	
21	07005-01357	MOVOS TIPO JUNGTTIS	1	-	54	07530-02301	JUNGKILIO BLOKAS	1	-	
22	07005-01571	ALKUNĖS JUNGTTIS	3	-	55	07530-02302	PNEUMATINĖ GALINIŲ GRIEBTUVŲ RITĖ	1	-	
23	07536-02216	ANTVERŽLĖ	1	-	56	07530-02311	GAIDUKO KORPUSAS	1	-	
24	07005-10074	2 MM JUNGTTIS	1	-	57	07536-02601	RANKENOS LIETŲ DALIŲ MAZGAS, DEŠINĖS PUSĖS	1	-	
25	07007-00017	DULKIŲ DANGTELIS	1	-	58	07536-02602	RANKENOS LIETŲ DALIŲ MAZGAS, KAIRĖS PUSĖS	1	-	
26	07007-00300	GAIDUKAS	1	-	59	07530-02603	GALINIS DANGTELIS	1	-	
27	73200-02022	SAUGOS ETIKETĖ	1	-	60	07536-02800	GALINIŲ GRIEBTUVŲ STŪMOKLIO MAZGAS	1	-	
28	07007-01504	CE ŽENKLAS	1	-	61	07536-02215	TVIRTINIMO ELEMENTO ADAPTERIS	1	-	
29	07008-00438	LANKSTUS ŽARNOS MAZGAS	1	-	62	07003-00142	● SUTVIRTINTAS SANDARIKLIS (NEPARODYTAS)	1	1	
30	07005-01323	M3 DYGIUOTOJI ALKUNĖ	1	-	63	07003-00194	● SUTVIRTINTAS SANDARIKLIS (NEPARODYTAS)	1	1	
31	07125-00215	SPYRUOKLĖ	1	-	64	07001-00442	● VARŽTAS (NEPARODYTAS)	1	1	
32	07151-00403	GALINIAI GRIEBTUVAI	1	-	65	07530-00501	● KAMŠČIS (NEPARODYTAS)	1	-	
33	07003-00016	APVALUS SANDARINIMO ŽIEDAS	1	2						

6.4 IŠMONTAVIMO INSTRUKCIJOS

- Išmontuodami stiprintuvo bloką pirmiausia atjunkite oro tiekimo žarną nuo stiprintuvo įleidimo jungties **22**.
- Šešiabriauniu lenktu raktu* atsukite keturis varžtus **27** ir nuimkite apsauginę plokštę **24**.
- Atjunkite gaiduko žarną **47** nuo stiprintuvo vožtuvo **43** arba **48**, spausdami išorinę movą ir ištraukdami žarną.
- Nuimkite dangčio plokštę **4** ir tarpinę **35**, išsukdami varžtus **37** ir poveržles **36** šešiabriauniu lenktu raktu*.
- Siekdami užtikrinti tinkamą mazgo sandarinimą patikrinkite, ar tarpinė nepažeista.
- Paverskite stiprintuvo mazgą ir išleiskite alyvą iš talpyklos į tinkamą indą.
- Tinkamu veržliarakčiu* nuimkite greitai išardomą jungtį **32** su jungtimi **31** ir sandarikliais **33**.
- Nuimkite stiprintuvo vožtuvą **43** arba **48**, tinkamu veržliarakčiu išsukę fiksuojamuosius varžtus. Dirbkite atsargiai, kad paliktumėte apvalų sandarinimo žiedą **21**, esantį stiprintuvo korpuse.
- Tinkamu šešiabriauniu lenktu raktu* išsukite varžtą **19**, tada nuimkite slopintuvo dangtį **16**, slopintuvą **15** iš putplasčio, skyriklį **18** ir fiksavimo plokštę **20**.
- Ištraukite 6 mm plastikinį vamzdelį **41** iš vakuuminės jungties **42**.
- Iš stiprintuvo pagrindo įkiškite 3 mm šešiabriaunį lenktą raktą * per dvi skylės ir atsukite vakuumines jungtis **42**.
Pastaba.
 - Dirbkite atsargiai, nes vakuuminės jungtys užfiksuotos ir užsandarintos „Loctite® 574“.
 - Jei nuimti sunku, vakuumines jungtis galima išgręžti $\frac{3}{16}$ col. arba 4,7 mm skersmens grąžtu.
- Norėdami vėl surinkti vakuumines jungtis **42**, turite vadovautis šia procedūra: -
 - Pamirkykite vakuumines jungtis tinkamame paviršiaus aktyviklyje, pvz., „Perma Bond A905“
 - Užtepkite lašelį „Loctite® 574“ ant stiprintuvo srieginės angos.
 - Įkiškite šešiabriaunį lenktą raktą* nuo pagrindo per skylę. Prieš įstatydami į vakuuminę jungtį, įsitikinkite, kad ant šešiabriaunio lenkto rakto * nėra „Loctite® 574“.
 - Sukite šešiabriaunį lenktą raktą tepdami „Loctite® 574“ ant vakuuminės jungties pagrindo.
 - Įsukite vakuuminę jungtį į stiprintuvą, tikrindami, ar ant tvirtinimo detalės pagrindo yra pakankamai „Loctite® 574“ ir nesimato sriegio.
- Atsuktuvu atsargiai išimkite vidinį fiksavimo žiedą **14**. Nuvalykite ir patikrinkite griovelį, ar nepažeistas.
- Trauktuvu* įstatykite kištukinį srieginį galą į galinį dangtį **12** ir ištraukite jį su stiprintuvo mova **28** ir sandarinimo žiedais **10** ir **13**.
- Įkiškite strypą* per jungties angą stiprintuvo korpuso priekyje ir išstumkite stūmoklio strypą **9** ir stūmoklio mazgą.
- Tinkamu šešiabriauniu lenktu raktu* atsukite du varžtus **25** ir nuimkite galinį dangtį **12** nuo stiprintuvo movos **28**.
- Veržliarakčiu* nuimkite sandariklio kamštį **7**.
- Įkiškite strypą* per jungties angą stiprintuvo korpuso priekyje ir išstumkite sandariklio korpusą **5** ir susijusius sandarinimo žiedus ir briaunų sandariklius.
- Nuimkite vožtuvo korpuso mazgą **34** nuo pagrindinio korpuso, naudodami tinkamą veržliarakčių*. Išvalykite prapūsdami žemo slėgio oro srautu.
- Nuimkite stūmoklio strypą **9** nuo stiprintuvo oro stūmoklio **11**, suimdami pirmuosius 20 mm (3/4 col.) strypo spaustuviu minkštais griebtuvais, dirbkite atsargiai, kad nepažeistumėte ar nesubraižytumėte darbinio paviršiaus.
- Išsukite fiksavimo veržlę **17**, naudodami tinkamą veržliarakčių*.
- Sumontuokite atvirkštine tvarka, atkreipkite dėmesį į šiuos punktus:
 - Išvalykite visas dalis ir atnaujinkite visus sandarinimo žiedus.
 - Visus sandariklius patepkite molibdeno disulfido ir ličio tepalu.
 - Vožtuvo korpuso mazgą **34** reikia uždėti naudojant sriegių sandarinimo klijus.
 - Sumontuokite stūmoklio mazgą, naudodami naują veržlę **17**.

* Nurodo elementus, esančius 0753 MkII priežiūros rinkinyje. Išsamų dalių sąrašą žr. 308 psl.
Visi skaičiai **paryškintu** šriftu siejami su iliustracijomis ir dalių sąrašu priešais.

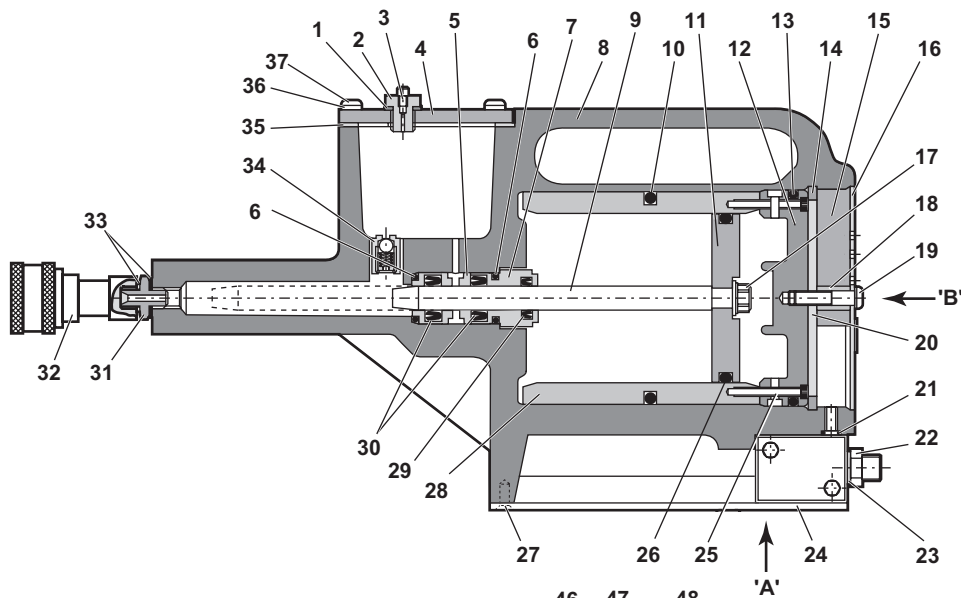
- Galinį dangtį **12** reikia tinkamai įdėti fiksavimo žiedo **14** viduje. Jei neįdėtas galinis dangtis, įrankio negalima naudoti.

SVARBU

Jei įrankis buvo išardytas ir prieš juo dirbant VISADA būtina jį pripildyti.

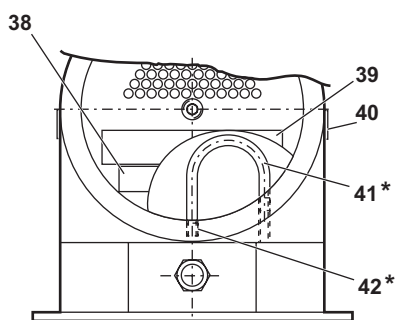
6.5 APLINKOSAUGA

Laikykitės galiojančių utilizavimo reglamentų. Visas atliekas nugabenkite į atitinkamą atliekų tvarkymo punktą arba įmonę, kad nekeltumėte pavojaus nei personalui, nei aplinkai.

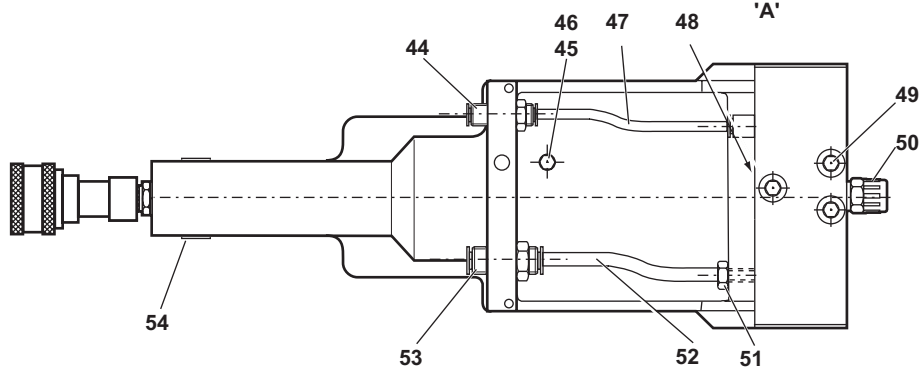
6.6 07531-02200 STIPRINTUVAS

Note

* Some units will not include these items (The required link is achieved via internal porting).

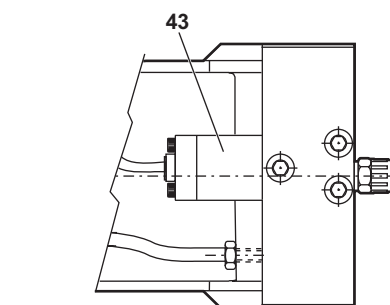


VIEW ON ARROW 'B'



VIEW ON ARROW 'A'

VIEW ILLUSTRATING FESTO VALVE



VIEW ILLUSTRATING COMPAIR VALVE

* Nurodo elementus, esančius 0753 MkII priežiūros rinkinyje. Išsamų dalių sąrašą žr. 308 psl. Visi skaičiai **paryškintu** šriftu siejami su iliustracijomis ir dalių sąrašu priešais.

07531-02200 DALIŲ SĄRAŠAS										
EIL. NR.	DALIES Nr.	APRAŠAS	KIEKIS	ATSARGINĖS DALIES	EIL. NR.	DALIES Nr.	APRAŠAS	KIEKIS	ATSARGINĖS DALIES	ATSAUGINĖS DALIES
1	07003-00037	SANDARIKLIS	1	1	28	07531-00201	MOVA	1	-	-
2	07240-00211	PRIPILDYMO VARŽTAS	1	-	29	07003-00337	BRIAUNIŲ SANDARIKLIS	1	1	1
3	07001-00418	IŠLEIDIMO VARŽTAS	1	1	30	07003-00336	BRIAUNIŲ SANDARIKLIS	2	2	2
4	07240-00210	DANGČIO PLOKŠTĖ	1	-	31	07005-00406	JUNGTIS	1	1	-
5	71420-02006	SANDARIKLIO KORPUSAS	1	-	32	07005-00759	GREITAI IŠARDOMA JUNGTIS	1	1	-
6	07003-00153	APVALUS SANDARINIMO ŽIEDAS	2	-	33	07003-00142	SANDARIKLIS	2	2	1
7	71420-02007	SANDARIKLIO KAMŠTIS	1	-	34	07240-00400	VOŽTUVO KORPUSO MAZGAS	1	1	-
8	71420-02300	KORPUSO MAZGAS	1	-	35	07240-00209	TARPIKLIS	1	1	1
9	71420-02008	STŪMOKLIO STRYPAS	1	-	36	07002-00073	POVERŽLĖ	4	4	1
10	07003-00182	APVALUS SANDARINIMO ŽIEDAS	1	1	37	07001-00554	VARŽTAS	4	4	1
11	07531-00202	ORO ĮLEIDIMO STŪMOKLIS	1	-	38	07007-01504	ETIKETĖ	1	1	-
12	07531-00204	GALINIS DANGTIS	1	-	39	07240-00217	ETIKETĖ	1	1	-
13	07003-00183	APVALUS SANDARINIMO ŽIEDAS	1	1	40	07531-00205	ETIKETĖ	2	2	-
14	07004-00069	FIKSAVIMO ŽIEDAS	1	1	41	07005-00596	* 6 mm PLASTIKINIS VAMZDELIS	-	-	-
15	07240-00213	SLOPINTUVAS IŠ PUTPLASČIO	1	1	42	07245-00103	* VAKUUMINĖ JUNGTIS	2	2	-
16	07240-00214	SLOPINTUVO DANGTIS	1	-	43	07005-00590	„COMPAIR“ VOŽTUVAS	1	1	1
17	07002-00017	VERŽLĖ	1	1	44	07005-01431	PERTVAROS JUNGTIS	1	1	1
18	07240-00215	TARPIKLIS	1	-	45	07005-00668	M5 KAIŠTIS	1	1	-
19	07001-00417	VARŽTAS	1	1	46	07005-00670	M5 SANDARINIMO ŽIEDAS	1	1	-
20	07240-00216	FIKSAVIMO PLOKŠTĖ	1	-	47	07005-01084	4 mm PLASTIKINIS VAMZDELIS (150 mm)	-	-	-
21	*07003-00042	APVALUS SANDARINIMO ŽIEDAS	1	1	48	07005-01524	„FESTO“ VOŽTUVAS	1	1	-
22	07005-00041	JUNGTIS	1	-	49	07001-00176	VARŽTAS	3	3	-
23	07003-00065	POVERŽLĖ	1	-	50	07007-00292	1/4" BSP RAUDONAS DANGTELIS	1	1	-
24	07240-00220	APSAUGINĖ PLOKŠTĖ	1	-	51	07005-00647	JUNGTIS	1	1	-
25	07001-00375	VARŽTAS	2	-	52	07005-01085	6 mm PLASTIKINIS VAMZDELIS (150 mm)	-	-	-
26	07003-00238	APVALUS SANDARINIMO ŽIEDAS	1	1	53	07005-00855	PERTVAROS SUJUNGIMAS	1	1	-
27	07001-00396	VARŽTAS	4	-	54	73200-02022	SAUGOS ETIKETĖ	1	1	-

7. PRIPILDYMAS

Jei įrankis buvo išardytas ir prieš juo dirbant VISADA būtina jį pripildyti. Taip pat po naudojimo tam tikrą laiką gali prireikti atkurti visą eigą, kai eiga galimai sumažėja ir tvirtinimo detalės ne iki galo įkniedijamos vienu gaiduko paspaudimu.

7.1 INFORMACIJA APIE ALYVĄ

Pripildymui rekomenduojama alyva yra „Hyspin® VG32“ ir AWS 32, kurios galima įsigyti 0,5 l (dalies numeris 07992--00002) arba vieno galono (dalies numeris 07992--00006) talpyklose. Žr. saugos duomenis toliau.

7.2 ALYVŲ „HYSPIN® VG32“ IR AWS 32 SAUGOS DUOMENYS

Pirmoji pagalba

PATEKUS ANT ODOS

Kuo greičiau kruopščiai nuplaukite odą muilu ir vandeniu. Atsitiktinis sąlytis nereikalauja dėmesio. Trumpalaikis sąlytis nereikalauja dėmesio.

PRARIJUS

Nedelsdami kreipkitės į gydytoją. NESKATINKITE vėmimo.

PATEKUS Į AKIS

Skubiai kelias minutes plaukite vandeniu. Nors NĖRA labai dirginanti medžiaga, iškart po sąlyčio gali sukelti nedidelį dirginimą.

Gaisras

Tinkamos gesinimo priemonės: CO₂, sausi milteliai, putos ar vandens rūkas. NENAUDOKITE vandens srovės.

Aplinka

ATLIEKŲ ŠALINIMAS Atlieka įgaliotas rangovas, gabendamas į licencijuotą įstaigą. Galima deginti. Naudotą gaminį galima išsiųsti utilizavimui.

ALYVAI IŠSILIEJUS Neleiskite patekti į lietaus ir nuotekų sistemas bei vandens telkinius. Surinkite, naudodami absorbuojančias medžiagas.

Tvarkymas

Dėvėkite akių apsaugas, nelaidžias pirštines (pvz., iš PVC) ir plastikinę prijuostę. Naudokite gerai vėdinamoje vietoje.

Laikymas

Nėra specialiųjų atsargumo priemonių.

7.3 PRIPILDYMO PROCEDŪRA

SVARBU

NENAUDOKITE GAIDUKO, JEI IŠIMTAS IŠLEIDIMO SRAIGTAS

Visus veiksmus reikia atlikti ant švaraus darbatalio, švariamomis rankomis ir švarioje vietoje.

Įsitikinkite, kad nauja alyva yra visiškai švari, be oro burbuliukų.

Visada BŪTINA dirbti atsargiai, siekiant užtikrinti, kad į įrankį nepateks jokių pašalinių medžiagų, antraip galimi dideli pažeidimai.

- Nuimkite varžtą **2** ir sandariklį **1** nuo stiprintuvo talpyklos plastikinės dangčio plokštės **4**.
- Pilkite pripildymo alyvą į talpyklą, kol nuo viršaus liks nepripilta maždaug 1/2 col. (12 mm).
- Vėl uždėkite varžtą **2** ir sandariklį **1**.
- Prijunkite stiprintuvą prie oro tiekimo sistemos. Nuimkite varžtą nuo talpyklos.
- Kai 07536 pistoleto blokas pritvirtintas prie stiprintuvo ir laikomas žemiau stiprintuvo bloko lygio, dviem pasukimais atsukite išleidimo varžtą **64** nuo išleidimo kamščio mazgo **43** ant 07536 įrankio, kad leistumėte alyvai ištekėti iš įrankio.
- Kai alyva pradeda laisvai tekėti ir nelieka oro burbuliukų, prisukite išleidimo varžtą.
- Pripilkite į stiprintuvo talpyklą pripildymo alyvos.
- Leiskite įrankiui veikti, kol alyvos talpykloje esančioje alyvoje neliks oro burbuliukų.

Visi skaičiai **paryškintu** šriftu siejami su bendraisiais mazgais ir dalių sąrašais 312–315 psl.

8. TRIKČIŲ DIAGNOSTIKA

POŽYMIS	GALIMA PRIEŽASTIS	KAIP PAŠALINTI	TAISYMAS
Įrankis neknedija	Žemas oro slėgis.	Padidinkite oro slėgį	
	Nepakankamas tepimas.	Patepkite įrankį ties oro įleidimo vieta	
	Didelė plėstuvo apkrova.	Patikrinkite tvirtinimo detalės sugriebimą ir paskirties angos dydį	
	Patikrinkite, ar spaudiklis tinkamo dydžio.		
	Galiniai griebtuvai išjungti.	Įjunkite galinius griebtuvus	
	Oras hidraulinėje sistemoje.	Žr. „Pripildymo procedūra“	317
„Slysta spaudiklis“ – griebtuvai nesugriebia spaudiklio	Nusidėvėjo arba susitėpė galiniai griebtuvai.	Išvalykite arba atnaujinkite pagal poreikį	
	‘Nepakankamas oro slėgis / kiekis.	Padidinkite oro slėgį / kiekį	
	‘Galiniai griebtuvai neveikia.	Pakeiskite jungiklį	
	‘Oro nuotėkis į galinius griebtuvus.	Atnaujinkite 11 stūmoklio sandarinimo žiedus	
	Spaudiklis sulūžęs ir nepasiekia galinių griebtuvų.	Pakeiskite spaudiklį	
	Pneumatinės sistemos valdymo dėžutės gedimas.	Kreipkitės į „Stanley Engineered Fastening“ personalą	
Griebtuvai neatlaisvina spaudiklio	Nešvarūs galiniai griebtuvai arba griebtuvų korpusas.	Išvalykite ir patepkite	
	Sugedęs galinių griebtuvų jungiklis.	Pakeiskite sandarinimo žiedus	
	Įstrigęs pneumatinis signalas	Patikrinkite pneumatinės linijas	
	Pneumatinės sistemos valdymo dėžutės gedimas	Kreipkitės į „Stanley Engineered Fastening“ personalą	
Nevyksta tvirtinimo detalių tiekimas per priekinius griebtuvus	Galiniai griebtuvai neįjungti.	Įjunkite galinius griebtuvus	
	Nusidėvėjo galiniai griebtuvai.	Atnaujinkite galinius griebtuvus	
	Neteisingas žymeklio orientavimas.	Pataisykite užtikrindami teisingą orientavimą	
	Netinkamas žymeklis	Uždėkite tinkamą žymeklį	
	Netinkami priekiniai griebtuvai.	Naudokite tinkamus priekinius griebtuvus	
	Nėra spaudiklio kartotuvo spyruoklės.	Įdėkite tinkamą spaudiklio kartotuvo spyruoklę	
	Spaudiklio kartotuvo ilgis	Įdėkite tinkamą spaudiklio kartotuvą	
	Netinkama anga esant apkrovai tarp tvirtinimo detalės galvutės ir priekinių griebtuvų.	Nustatykite 1,5–3 mm (1/16- 1/8 col.) Žr. „Įrankio užtaisymas“	305-306
	Limpa žymeklis.	Nuvalykite ir patepkite žymeklį	
	Nusidėvėjo pneumatinis žymeklis	Atnaujinkite žymeklį	
	Įdėta netinkama spaudiklio kartotuvo spyruoklė.	Įdėkite tinkamą spaudiklio kartotuvo spyruoklę	
Nusidėvėjusi arba sulūžusi vamzdžio grįžtamoji spyruoklė	Pakeiskite vamzdžio grįžtamąją spyruoklę		
Per daug nusidėvėjo galinis griebtuvas	Didelė plėstuvo apkrova.	Patikrinkite tikslinės skylės dydį ir storį bei tvirtinimo detalę	
	Tiekiami daugiau nei viena tvirtinimo detalė vienu metu	Slysta spaudiklis. Neteisinga anga esant apkrovai tarp tvirtinimo detalės galvutės ir priekinių griebtuvų	Patikrinkite informaciją „Slysta spaudiklis“, 2 etapas Nustatykite 1,5–3 mm (1/16- 1/8 col.) Žr. „Įrankio užtaisymas“, psl.

Apie kitokius požymius arba gedimus reikėtų pranešti vietiniam „Stanley Engineered Fastening“ atstovui arba remonto centrai.

PASTABOS

9. EB ATITIKTIES DEKLARACIJA

Mes, „Stanley Engineered Fastening“, Stanley House, Works Road, Letchworth Garden City, Hertfordshire, SG6 1JY UNITED KINGDOM (JK), atsakingai pareiškiame, kad šis gaminy:

Aprašas: Hidraulinis-pneumatinis ciklinio kniedijimo įrankis

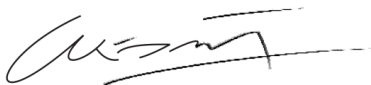
Modelis: 07536

kuriam taikoma ši deklaracija, atitinka šiuos suderintus standartus:

ISO 12100:2010	EN ISO 3744:2010
EN ISO 11202:2010	EN ISO 11148-1:2011
EN ISO 4413:2010	BS EN 28662-1:1993
EN ISO 4414:2010	EN ISO 20643:2008+A1:2012
EN ISO 28927-5:2009+A1:2015	ES100118-red. 17:2017

Techninė dokumentacija yra sudaryta atsižvelgiant į VII skyrių, atsižvelgiant į šią Direktyvą: **2006/42/EB Mašinų direktyvą** (Įstatyminiai dokumentai 2008 Nr. 1597 - Mašinų tiekimo (saugos) reglamentai).

Toliau pasirašęs asmuo pateikia šią deklaraciją bendrovės „STANLEY Engineered Fastening“ vardu



A. K. Seewraj

Technikos direktorius, JK

Avdel UK Limited, Stanley House, Works Road, Letchworth Garden City, Hertfordshire, SG6 1JY UNITED KINGDOM (Jungtinė Karalystė)

Išdavimo vieta: Letchworth Garden City, JK

Išdavimo data: 01-01-2021

Toliau pasirašęs asmuo yra atsakingas už Europos Sąjungoje parduodamų gaminių techninės bylos sukūrimą ir pateikia šią deklaraciją „Stanley Engineered Fastening“ vardu.

Matthias Appel

Techninės dokumentacijos parengimo darbo grupės vadovas

Stanley Engineered Fastening, Tucker GmbH, Max-Eyth-Str.1, 35394 Gießen, Vokietija



Šis mechanizmas atitinka
2006/42/EB mašinų direktyvą

STANLEY
Engineered Fastening

10. JK ATITIKTIES DEKLARACIJA

Mes, „Stanley Engineered Fastening“, Stanley House, Works Road, Letchworth Garden City, Hertfordshire, SG6 1JY UNITED KINGDOM (JK), atsakingai pareiškiame, kad šis gaminys:

Aprašas: Hidraulinis-pneumatinis ciklinio kniedijimo įrankis

Modelis: 07536

kuriam taikoma ši deklaracija, atitinka šiuos specialius standartus:

ISO 12100:2010	EN ISO 3744:2010
EN ISO 11202:2010	EN ISO 11148-1:2011
EN ISO 4413:2010	BS EN 28662-1:1993
EN ISO 4414:2010	EN ISO 20643:2008+A1:2012
EN ISO 28927-5:2009+A1:2015	ES100118-red. 17:2017

Techninė dokumentacija yra sudaryta atsižvelgiant į Mašinų tiekimo (saugos) reglamentą, 2008 m., S.I. 2008/1597 (su pakeitimais).

Toliau pasirašęs asmuo pateikia šią deklaraciją bendrovės „STANLEY Engineered Fastening“ vardu



A. K. Seewraj

Technikos direktorius, JK

Avdel UK Limited, Stanley House, Works Road, Letchworth Garden City, Hertfordshire, SG6 1JY UNITED KINGDOM (Jungtinė Karalystė)

Išdavimo vieta: Letchworth Garden City, JK

Išdavimo data: 01-01-2021



Šis mechanizmas atitinka
Mašinų tiekimo (saugos) reglamentą 2008 m.,
S.I. 2008/1597 (su pakeitimais).

11. APSAUGOKITE SAVO INVESTICIJĄ!

„Stanley® Engineered Fastening“ KNIEDYTUVO GARANTIJA

„STANLEY® Engineered Fastening“ garantuoja, kad visi elektriniai įrankiai yra kruopščiai pagaminti, ir kad įprastai juos naudojant jie neturės medžiagų ir gamybos defektų, bei suteikia jiems vienerių (1) metų techninės priežiūros garantiją.

Ši garantija taikoma tik pirmajam įrankio pirkėjui, naudojančiam įrankį pagal paskirtį.

Išimtys:

Įprastas nusidėvėjimas

Netaikoma periodinei techninei priežiūrai, remontui ir normaliai besidėvinčioms dalims.

Piktnaudžiavimas ir netinkamas naudojimas

Garantija netaikoma gedimams arba žalai, patirtai dėl netinkamo naudojimo, laikymo ar piktnaudžiavimo, nelaimingų atsitikimų ar aplaidumo, pavyzdžiui, fiziniams gaminio paviršiaus apgadinimams (įtrūkimams, įbrėžimams ir pan.)

Neleistina priežiūra arba modifikacijos

Garantija netaikoma gedimams ar apgadinimams, atsiradusiems teikiant techninės priežiūros paslaugas, tikrinant, reguliuojant, montuojant, prižiūrint, pakeitus arba modifikavus gaminį kam nors kitam, nei „STANLEY® Engineered Fastening“ arba jų įgaliotiesiems techninės priežiūros centrams.

Netaikoma jokių kitų aiškiai išreikštų ar numanomų garantijų, įskaitant visas tinkamumo konkrečiai paskirčiai ir prekybos garantijas.

Jei šis įrankis neatitinka garantinių reikalavimų, nedelsdami pristatykite įrankį į artimiausią mūsų gamyklos įgaliotąjį servisą centrą. Norėdami gauti „STANLEY® Engineered Fastening“ įgaliotųjų techninės priežiūros centrų, esančių JAV arba Kanadoje, sąrašą, skambinkite mums nemokamu telefono numeriu (877) 364 2781.

Naudotojams už JAV ir Kanados ribų: apsilankykite mūsų svetainėje www.StanleyEngineeredFastening.com ir sužinosite artimiausio „STANLEY Engineered Fastening“ centro adresą.

Tada „STANLEY Engineered Fastening“ nemokamai pakeis bet kurią detalę arba detales, kurios, atlikus patikrą, bus nustatytos kaip turinčios medžiaginių arba gamybinių defektų, ir grąžins jums įrankį (turi būti iš anksto sumokėta už siuntimą). Tai vienintelis mūsų įsipareigojimas pagal šią garantiją.

„STANLEY Engineered Fastening“ jokiais atvejais neatsako už jokus su pasekmėmis susijusius ar ypatingus nuostolius, patirtus įsigijus šį įrankį arba juo naudojantis.

Užregistruokite savo kniedytuvą internete.

Norėdami užregistruoti savo garantiją internete, apsilankykite mūsų interneto svetainėje <https://www.stanleyengineeredfastening.com/support/warranty-registration-form>

Dėkojame, kad pasirinkote „STANLEY® Engineered Fastening’s Stanley Assembly Technologies“ prekyženklį įrankį.

©2021 Stanley Black & Decker Inc.
Kõik õigused kaitstud.

Esitatud teavet ei tohi ühelgi viisil ja ühelgi teel (elektrooniliselt ega mehaaniliselt) reprodutseerida ja/või avalikustada STANLEY Engineered Fasteningi eelneva sõnaselge kirjaliku loata. Esitatud teave põhineb toote turuleviimise ajal teadaolevatel andmetel. STANLEY Engineered Fasteningi eesmärk on oma tooteid järjepidevalt edasi arendada ja seetõttu võivad tooted muutuda. Esitatud teave kehtib STANLEY Engineered Fasteningi tarnitud toote kohta. Seetõttu ei saa STANLEY Engineered Fasteningi pidada vastutavaks ühegi toote originaalspetsifikatsioonidest kõrvalekaldumisega kaasneva kahju eest.

Saadaolev teave on koostatud ülimalt põhjalikkusega. Ent STANLEY Engineered Fastening ei võta sellegipoolest vastutust ühegi vea eest, mis puudutab teavet, ega sellest tulenevate tagajärgede eest. STANLEY Engineered Fastening ei vastuta kahjude eest, mis tulenevad kolmandate osapoolte tegevusest. Vastavalt kaubamärgiseadusele ei ole STANLEY Engineered Fasteningi kasutatud töönimed, kaubanimed, registreeritud kaubamärgid jms tasuta kasutamiseks.

1. OHUTUSALASED MÕISTED	324
1.1 ÜLDISED OHUTUSEESKIRJAD	324
1.2 ÕHKUPAISKUMISE OHT	324
1.3 SEADME KASUTAMISEGA SEOTUD OHUD	325
1.4 KORDUVATE LIIGUTUSTEGA SEOTUD OHUD	325
1.5 LISAVARUSTUSEGA SEOTUD OHUD	325
1.6 TÖÖKOHAGA SEOTUD OHUD.....	325
1.7 MÜRAGA SEOTUD OHUD	325
1.8 VIBRATSIOONIGA SEOTUD OHUD.....	326
1.9 TÄIENDAVID OHUTUSNÕUDED PNEUMAATILISE JA HÜDRAULILISE ELEKTRITÖÖRIISTA KASUTAMISEL.....	326
2. SPETSIFIKATSIOONID	327
2.1 SEADME 07536 TEHNILISED ANDMED	327
2.2 VÕIMENDI 07531 TEHNILISED ANDMED	327
3. ETTENÄHTUD OTSTARVE	328
3.1 SEADME MÕÖTMED – MUDEL 07536.....	328
4. KASUTUSELEVÕTMINE	329
4.1 ÕHUVARUSTUS	329
4.2 ÕHUKURSORID.....	330
4.3 SEADME TÄITMINE	330
4.4 KASUTAMINE.....	332
5. SEADME HOOLDUS.....	333
5.1 PNEUMOSÜSTEEMI JUHTIMISPLOKK	333
5.2 IGA PÄEV.....	333
5.3 KORD NÄDALAS.....	333
5.4 MOLÜBDEENLIITIUMMÄARDE EP 3753 OHUTUSTEAVE.....	333
5.5 HOOLDUSKOMPLEKT	334
5.6 ÕHUKURSORI TÖÖRIIST, VÕIMENDI JA JUHTIMISPLOKK 07536-02100	335
6. HOOLDUS	336
6.1 07536-02200 LAHTIVÕTMINE	336
6.2 KOOSTEJONIS: PÕHISEADE 07536-02200.....	338
6.3 OSADE LOEND: PÕHISEADE 07536-02200.....	339
6.4 LAHTIVÕTMISE JUHISED	340
6.5 KESKKONNAKAITSE	341
6.6 VÕIMENDI 07531-02200.....	341
7. EELTÄITMINE	343
7.1 TEAVE ÕLI KOHTA.....	343
7.2 HYPIN® VG32 JA AWS 32 ÕLI OHUTUSTEAVE.....	343
7.3 EELTÄITMINE	343
8. DIAGNOSTIKA	344
9. EÜ VASTAVUSDEKLARATSIOON.....	346
10. UK VASTAVUSDEKLARATSIOON	347
11. KAITSKE OMA INVESTEERINGUT!	348



Kõik, kes seadet paigaldavad või kasutavad, peavad selle kasutusjuhendi läbi lugema, pöörates erilist tähelepanu järgmistele ohutuseeskirjadele.



Seadme kasutamise ajal tuleb alati kanda löögikindlat silmade kaitset. Igal kasutuskorral tuleb hinnata vajalikku kaitse taset.







Kasutage kuulmiskaitsevahendeid, järgides tööandja juhiseid ning töötervishoiu ja tööohutuse nõudeid.



Seadme kasutamisega kaasneb käte vigastamise oht, näiteks muljumine, löögid ning löike-, hõörde- ja põletusvigastused. Käte kaitsmiseks kandke sobivaid kindaid.

1. OHUTUSALASED MÕISTED

Allpool toodud määratlused kirjeldavad iga märksõna olulisuse astet. Lugege juhend läbi ja pöörake tähelepanu järgmistele sümbolitele.

-  **OHT!** Tähistab tõenäolist ohuolukorda, mis juhul, kui seda ei väldita, lõppeb surma või raskete kehavigastustega.
-  **HOIATUS!** Tähistab võimalikku ohuolukorda, mis juhul, kui seda ei väldita, võib lõppeda surma või raskete kehavigastustega.
-  **ETTEVAATUST!** Tähistab võimalikku ohuolukorda, mis juhul, kui seda ei väldita, võib lõppeda kerge või keskmise raskusastmega kehavigastusega.
-  **ETTEVAATUST!** Kui kasutatakse ohutusele viitava hoiatussümboliga, viitab see potentsiaalselt ohtlikule olukorrale, mis juhul, kui seda ei väldita, võib lõppeda varalise kahjuga.

Selle toote väärkasutamine või vale hooldus võib lõppeda raskete vigastuste ja varalise kahjuga. Enne seadme kasutamist lugege kõik hoiatused ja kasutusjuhised läbi ning tehke need endale selgeks. Vigastusohu vähendamiseks tuleb elektritööriistade kasutamisel alati rakendada põhilisi ettevaatusabinõusid.

HOIDKE KÕIK HOIATUSED JA JUHISED TULEVIKU TARVIS ALLES

1.1 ÜLDISED OHUTUSEESKIRJAD

- Ohtlike olukordade vältimiseks lugege enne seadme paigaldamist, kasutamist, parandamist, hooldamist, tarvikute vahetamist või seadme läheduses töötamist ohutusjuhised läbi ja tehke nende sisu endale selgeks. Kui seda nõuet eiratakse, võivad tagajärjeks olla rasked kehavigastused.
- Seadet tohivad paigaldada, reguleerida ja kasutada ainult kvalifitseeritud ja koolitatud isikud.
- ÄRGE kasutage seadet muuks kui ettenähtud otstarbeks (milleks on STANLEY Engineered Fasteningi neetide paigaldamine).
- Kasutage ainult tootja soovitatud osi, kinnitusvahendeid ja tarvikuid.
- ÄRGE muutke seadme ehitust. Muudatused võivad vähendada ohutusmeetmete tõhusust ja suurendada kasutajaga seotud riske. Seadme ehituse muutmine tühistab kõik kehtivad garantiid ja igasuguste seadme juures tehtud muudatuste eest vastutab täies ulatuses klient.
- Ärge visake ohutusjuhiseid ära; andke need seadme kasutajale.
- ÄRGE kasutage seadet, kui see on kahjustatud.
- Enne kasutamist kontrollige, et liikuvad osad asetseksid kohakuti, et kõik osad oleksid terved ja et puuduksid muud tingimused, mis võivad mõjutada seadme tööd. Kui seade on kahjustada saanud, laske see enne kasutamist korda teha. Enne kasutamist eemaldage kõik reguleerimis- ja mutrivõtmed.
- Kontrollige korrapäraselt, et seadmel oleks selgelt nähtavad standardile ISO 11148 vastavad andmed ja märgistus. Vajaduse korral peab tööandja/kasutaja tellima seadme tootjalt asendussildid.
- Seadet tuleb alati hoida ohutus töökorras ning pädevad spetsialistid peavad selle töökorda ja kahjustuste puudumist regulaarselt kontrollima. Seadet tohivad lahti võtta ainult vastava väljaõppega spetsialistid. Ärge võtke seda seadet lahti, kui te ei ole eelnevalt tutvunud hooldusjuhistega.

1.2 ÕHKUPAISKUMISE OHT

- Enne igasuguseid hooldustöid ja otsiku või tarvikute reguleerimist, paigaldamist või eemaldamist tuleb hüdropumba ühendus seadmega katkestada.
- Arvestage, et tooriku, tarvikute või seadme enda purunemisel võivad tükid suure kiirusega õhku paiskuda.
- Seadme kasutamise ajal tuleb alati kanda löögikindlat silmade kaitset. Igal kasutuskorral tuleb hinnata vajalikku kaitse taset.
- Ühtlasi tuleb hinnata ka teistega seotud riske.
- Veenduge, et töödeldav detail oleks korralikult kinnitatud.
- Kontrollige, kas kinnitusdetaili ja/või südamikü väljumise eest kaitsmise vahendid on paigas ja töötavad.

- Hoiatage, et südamikud võivad seadme esiosast jõuliselt välja paiskuda.
- ÄRGE käivitage seadet, kui see on inimes(t)e poole suunatud.

1.3 SEADME KASUTAMISEGA SEOTUD OHUD

- Seadme kasutamise kaasnep käte vigastamise oht, näiteks muljumine, löögid ning löike-, hõörde- ja põletusvigastused. Käte kaitsmiseks kandke sobivaid kindaid.
- Seadme kasutajatel ja hooldustehnikutel peab olema seadme käsitemiseks vajalik keheline võimekus, arvestades selle mõõtmeid, kaalu ja võimsust.
- Hoidke seadet õigesti käes; olge valmis kasutama jõudu seadme tavaliste või ootamatute liikumiste vastu ning hoidke mõlemad käed kasutusvalmis.
- Hoolitsege, et seadme käepide oleks kuiv, puhas ning vaba õlist ja määretest.
- Hoidke keha hästi tasakaalus ning seiske seadmega töötamisel kindlal pinnal.
- Hüdraulikavarustuse katkemise korral vabastage käivitus- ja seiskamisseade.
- Kasutage ainult tootja soovitatud määreid.
- Vältige kokkupuudet hüdrovedelikuga. Kokkupuute korral tuleb kokkupuutunud kohta hoolega pesta, et vähendada võimalikke lööbeid.
- Kõigi hüdroõlide ja määrete ohutuskaarte saab küsida seadme tarnijalt.
- Vältige ebasobivaid asendeid, kuna need ei võimalda seadme tavapärasele või ootamatule liikumisele piisavalt tugevat vastupanu osutada.
- Kui seade on kinnitatud riputussüsteemi külge, veenduge, et see oleks korralikult fikseeritud.
- Kui otsik pole paigaldatud, hoiduge muljumise ja pitsumise ohust.
- ÄRGE kasutage seadet, kui otsiku kest on eemaldatud.
- Enne jätkamist peavad seadme kasutaja käed olema täiesti vabad.
- Seadet ühest kohast teise kandes hoidke käsi päästikust eemal, et vältida tahtmatut käivitamist.
- ÄRGE väärkasutage seadet, lastes sellel kukkuda või kasutades seda haamrina.
- Kasutatud südamike puhul tuleb hoolitseda selle eest, et need ei põhjustaks ohte.

1.4 KORDUVATE LIIGUTUSTEGA SEOTUD OHUD

- Seadme kasutaja võib seadme kasutamisel tunda ebamugavust kätes, käsivartes, õlgades, kaelas või muudes kehaosades.
- Seadme kasutamise ajal tuleb võtta mugav kehahoiak, seista kindlal pinnal ning vältida tavatuid ja tasakaalu ohustavaid asendeid. Pikemat aega töötades peaks seadme kasutaja muutma aeg-ajalt kehahoiakut – see aitab vältida ebamugavust ja väsimist.
- Kui seadme kasutaja kogeb selliseid sümptomeid nagu püsiv või korduv ebamugavustunne, valu, tuikamine, valulikkus, kipitus, tuimus, põletustunne või jäikus, ei tohiks neid hoiatavaid märke tähelepanuta jätta. Kasutaja peab neist teada andma tööandjale ning konsulteerima kvalifitseeritud tervishoiutöötajaga.

1.5 LISAVARUSTUSEGA SEOTUD OHUD

- Enne otsiku või lisatarviku paigaldamist või eemaldamist ühendage seade õhuvarustusest lahti.
- Kasutage ainult seadme tootja soovitatud suuruses ja tüüpi tarvikuid ning kulumaterjale; ärge kasutage muud tüüpi või suurusega tarvikuid ja kulumaterjale.

1.6 TÖÖKOHAGA SEOTUD OHUD

- Töökohal saadakse viga peamiselt libastumise, komistamise ja kukkumise tagajärjel. Arvestage seadme kasutamisest tuleneva pindade libedusega ning õhu- või hüdrovoolikuga seotud komistamisohuga.
- Võõras kohas tegutsege ettevaatlikult. Seal võivad olla varjatud ohud, näiteks elektrikaablid või muud trassid.
- Seade ei ole mõeldud kasutamiseks potentsiaalselt plahvatusohtlikus keskkonnas ning sellel ei ole kaitseisolatsiooni kasutaja kaitsmiseks elektrivoolu eest.
- Veenduge, et puuduvad elektrikaablid, gaasitorud jms, mis võivad seadme kasutamisel kahjustada saada ja põhjustada ohte.
- Riidetuge sobivalt. Ärge kandke lehvivaid rõivaid ega ehteid. Hoidke juuksed, riided ja kindad liikuvatest osadest eemal. Lehvivad riided, ehted ja pikad juuksed võivad jääda liikuvate osade vahele.
- Kasutatud südamike puhul tuleb hoolitseda selle eest, et need ei põhjustaks ohte.

1.7 MÜRAGA SEOTUD OHUD

- Kõrge müratase võib põhjustada püsivat kuulmislangust ja kuulmispuuet ning muid vaevusi, näiteks tinnitust (tirin, kumin, vilin või kohisemine kõrvades). Seetõttu peab selliste ohtudega kindlasti arvestama ning vajaduse korral tuleb rakendada sobivaid meetmeid.
- Sellisteks ohte vähendavateks meetmeteks võivad olla ka tegevused, nagu näiteks materjalide heliisoleerimine nende tirisemise vähendamiseks.
- Kasutage kuulmiskaitsevahendeid, järgides tööandja juhiseid ning töötervishoiu ja tööohutuse nõudeid.
- Kasutage ja hooldage seadet vastavalt kasutusjuhendile, et vältida mürataseme asjatut tõusu.

1.8 VIBRATSIOONIGA SEOTUD OHUD

- Vibratsioon võib kahjustada käte ja käsivarte närve ning verevarustust.
- Külmaoludes töötades kandke sooja riietust ning hoidke oma käsi soojas ja kuivas.
- Sõrmede või käte tuimuse, surina, valu või kahvatuks muutumise korral lõpetage seadme kasutamine, teavitage oma tööandjat ning pöörduge arsti poole.
- Kui vähegi võimalik, laske seadme raskusel toetuda pukile, pingutile või tasakaalustajale, sest siis saab seadet lödvemalt käes hoida.

1.9 TÄIENDAVID OHUTUSNÕUDED PNEUMAATILISTE JA HÜDRAULILISTE ELEKTRITÖÖRIISTADE KASUTAMISEL

- Õhuvarustuse rõhk ei tohi ületada 7 bar (100 psi).
- Rõhu all olev õhk võib põhjustada raskeid vigastusi.
- Töötavat seadet ei tohi jätta järelevalveta. Ühendage õhuvoolik lahti, kui seadet ei kasutata, enne tarvikute vahetamist või parandustööd.
- ÄRGE suunake südamikete kollektori esikülje õhu väljalaskeavasid enda ega teiste inimeste poole. Mingil juhul ei tohi suunata suruõhku enda ega kellelegi teise poole.
- Laperdav voolik võib põhjustada raskeid vigastusi. Enne seadme kasutamist veenduge alati, et voolikud ja liitmikud ei oleks kahjustatud ega nõrgalt ühendatud.
- Enne kasutamist kontrollige õhuühendusi kahjustuste suhtes; kõik ühendused peavad olema kindlad. Ärge pillake voolikute peale raskeid esemeid. Tugev löök võib põhjustada sisemisi kahjustusi, mille tagajärjel võivad voolikud enneaegselt puruneda.
- Külma õhk tuleb suunata kätest eemale.
- Universaalsete pöördliitmike (nukkliitmike) kasutamisel peab paigaldama lukustustihvtid ja viskumiskaitsetrossid ohutuse tagamiseks seadme ning vooliku või voolikute ühenduse katkemisel.
- ÄRGE tõstke needipüstolit voolikust hoides. Kasutage alati needipüstoli käepidet.
- Õhuavasid ei tohi blokeerida ega kinni katta.
- Vältige mustuse või võõrkehade/-ainete sattumist seadme hüdroüsteemi, kuna selle tagajärjeks võivad olla seadme rikked.
- Rõhu all olev õli võib põhjustada raskeid vigastusi.
- Enne kasutamist kontrollige, et hüdrovoolikutel ei oleks kahjustusi. Kõik hüdraulikalüitmikud peavad enne kasutamist olema puhtad, korralikult ühendatud ja lekkekindlad. Ärge pillake voolikute peale raskeid esemeid. Tugev löök võib põhjustada sisemisi kahjustusi, mille tagajärjel võivad voolikud enneaegselt puruneda.
- ÄRGE tõmmake ega liigutage võimendusseadet voolikute abil. Kasutage alati seadme käepidet.
- Kasutage ainult puhast õli ja täiteseadmeid.
- Kasutada tohib ainult soovitatud hüdrovedelikke.
- Hüdrovedeliku maksimaalne temperatuur sisselaskeava juures on 100 °C (212 °F).

⚠ HOIATUS! Kuigi südamikete tavapärase ja korrekse kasutamise korral esineb vähest kulumist ja täkkeit, tuleb neid liigse kulumise ja täkete suhtes korrapäraselt kontrollida, pöörates erilist tähelepanu pea läbimõõdule, tagumise haaratsi haardepinnale ning varre tugevale kontaktväsimumisele ja südamiku deformatsioonile. Kasutamise käigus purunevad südamikud võivad seadmest suure hooga välja paiskuda. Klient peab tagama südamikete vahetamine enne ülemäärast kulumist ning alati enne soovitusliku maksimaalse töötusklite arvu täitumist. Võtke ühendust STANLEY Engineered Fasteningi esindajaga, kes mõõdab kalibreeritud testri abil teie rakenduse koormuse.

Kuna STANLEY Engineered Fasteningil on tavaks oma tooteid pidevalt edasi arendada ja täiustada, jätame endale õiguse iga toote tehnilisi andmeid etteteatamata muuta.

2. SPETSIFIKATSIOONID

2.1 SEADME 07536 TEHNILISED ANDMED

Õhurõhk	Min–max	5–7 bar (70–100 lbf/in ²)
Vajaliku vaba õhu maht	@ 5,1 bar / 75 lbf/in ²	2,6 liitrit (0,09 ft ³)
Käik	Min	25 mm (1 tolli)
Tõmbejõud	@ 5,5 bar / 80 lbf/in ²	3,89 kN (875 lbf)
Tsükli kestus	Ligikaudu	1 sekund
Kaal	Püstol	1,2 kg (2,64 lb)

2.2 VÕIMENDI 07531 TEHNILISED ANDMED

Õhurõhk	Min–max	5–7 bar (70–100 lbf/in ²)
Võimenduse määr		32 : 1

Müraväärtused on määratud vastavalt ISO 15744 ja ISO 3744 mürakatse nõuetele.		07536
A-kaalutud helivõimsuse tase dB(A), L _{WA}	Müra määramatus: k _{WA} = 2,3 dB(A)	79,5 dB(A)
A-kaalutud helirõhu tase töökohas dB(A), L _{pA}	Müra määramatus: k _{pA} = 2,3 dB(A)	68,5 dB(A)
C-kaalutud maksimaalne helirõhu tase dB(C), L _{pC} tipp	Müra määramatus: k _{pC} = 2,5 dB(C)	96,9 dB(C)
Vibratsiooniväärtused on määratud vastavalt ISO 20643 ja ISO 5349 vibratsioonikatse nõuetele.		07536
Vibratsioonitase, a _{hd} :	Vibratsiooni määramatus: k = 0,25 m/s ²	0,97 m/s ²
Deklareeritud vibratsioonitugevus vastavalt standardile EN 12096		

3. ETTENÄHTUD OTSTARVE

Pneumaatiline seade 07536 on käeshoitav kerge tööriist, mis on mõeldud 1/16" Avlug®-i neetide paigaldamiseks, mistõttu sobib see ideaalselt kasutamiseks kõikides tööstusharudes erinevatel koosteliinidel.

Käeshoitavat tööriista ja võimendit on katsetatud nii eraldi kui ka koos. Neid tohib kasutada ainult koos ja mitte muuks otstarbeks. Ühendamise kohta leiate täpsemat teavet jaotisest „Kasutuselevõtmine“ lk 329–332.

Koodide järgi saab tellida komplektse seadme ilma otsikuta.

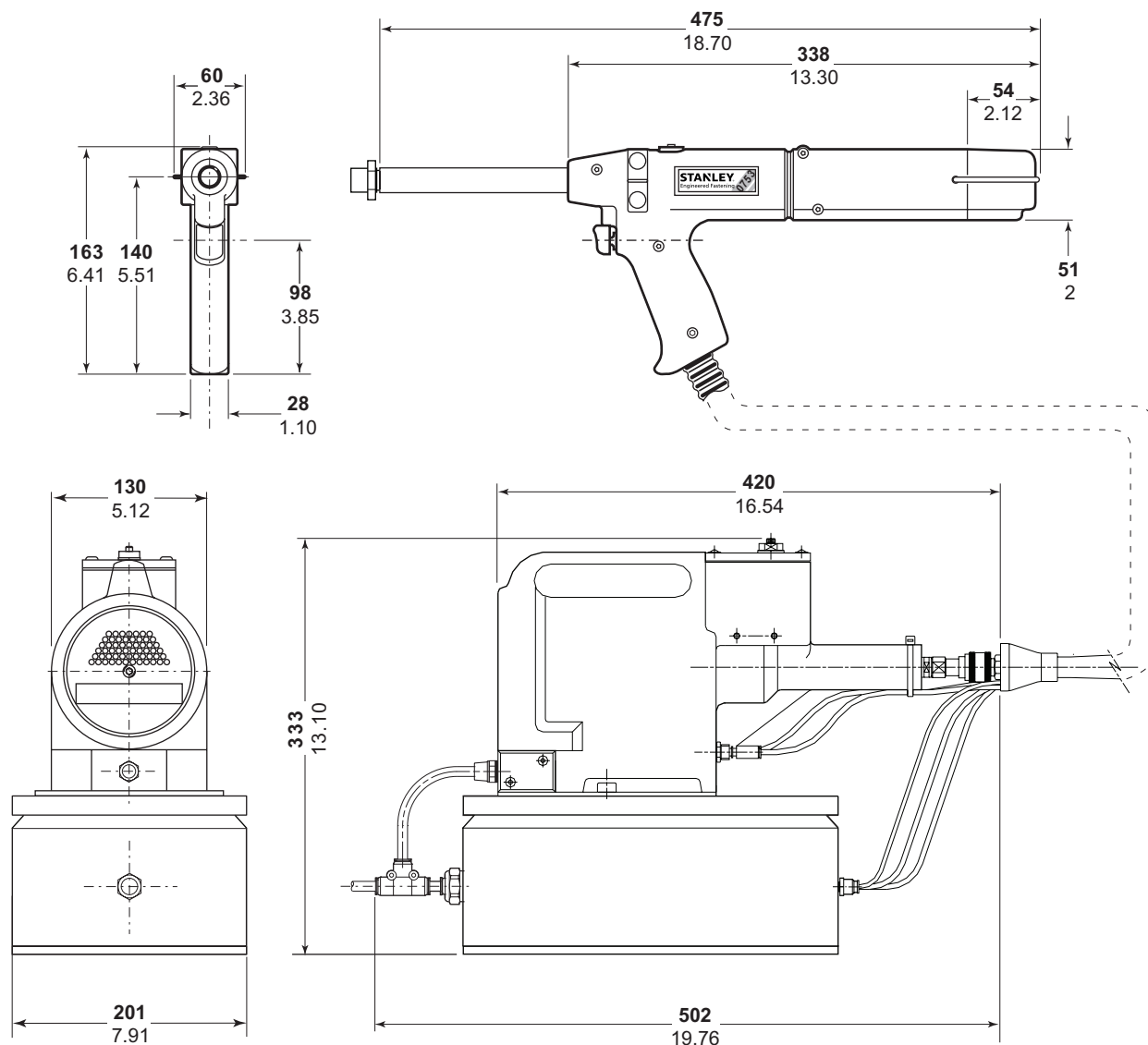
Mudeli 07536 tootekood on 07536-02200.

Vt koostejooniseid lk 335–342.

ÄRGE kasutage seadet niiskes keskkonnas ega tuleohtlike vedelike või gaaside vahetus läheduses.

3.1 SEADME MÕÖTMED – MUDEL 07536

Osa number 07536-02100



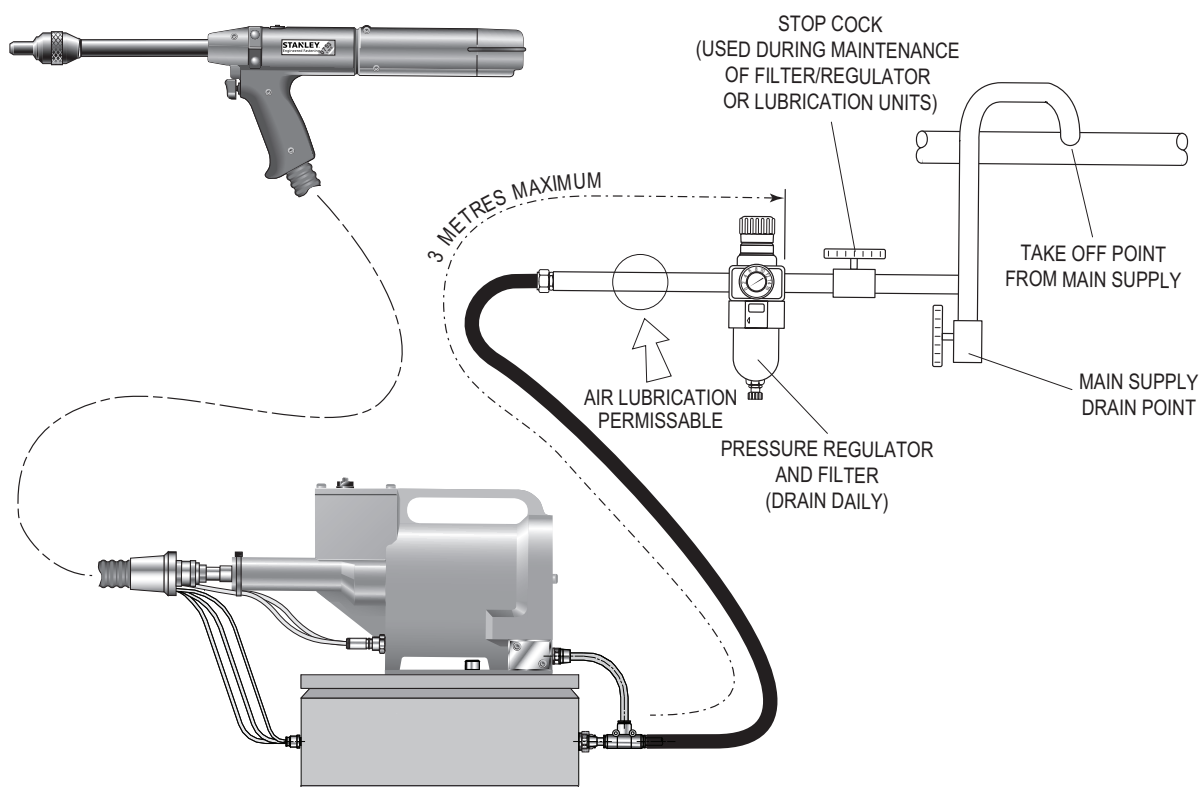
Mõõtmed, mm.

4. KASUTUSELEVÕTMINE

4.1 ÕHUVARUSTUS

Kõik seadmed töötavad suruõhuga optimaalsel rõhul 5,5 bar. Peamise õhuvarustuse puhul soovitame kasutada rõhuregulaatoreid ja automaatseid õlitamis-/filtreerimissüsteeme. Et seade võimalikult kaua vastu peaks ja vajaks minimaalselt hooldust, tuleb need paigaldada seadmest 3 meetri kaugusele (vt allolevat joonist).

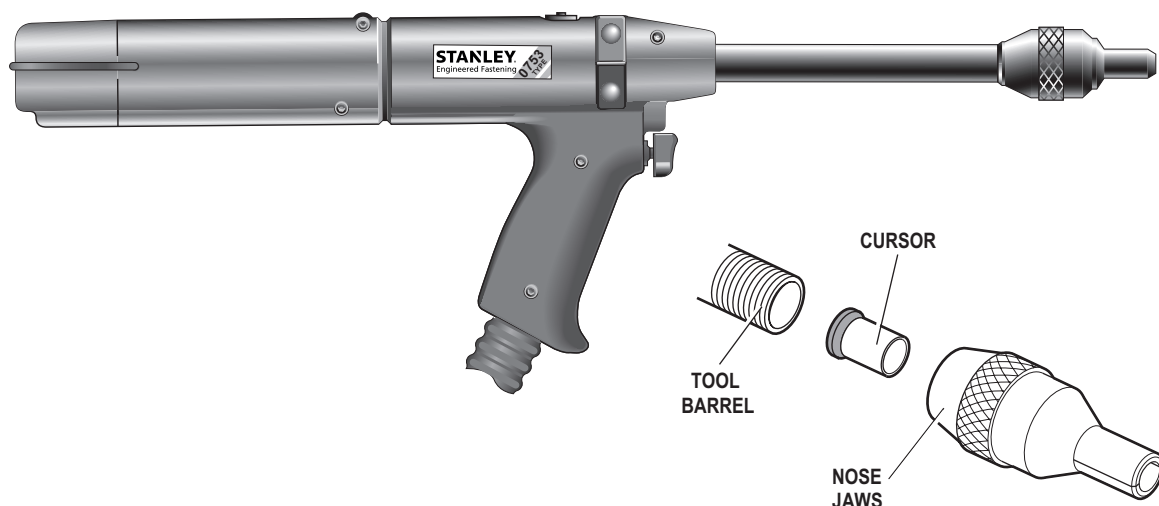
Õhuvarustuse voolikute kasulik töö rõhk peab olema vähemalt 150% süsteemis tekkivast maksimaalsest rõhust või 10 bar, vastavalt sellele, kumb on suurem. Õhuvoolikud peavad olema õlikindlad, neil peab olema abrasiõnikindel väliskülg ning need peavad olema soomustatud kohtades, kus voolikud võivad saada kahjustada. Kõikide õhuvoolikute ava läbimõõt PEAB olema vähemalt 6,4 millimeetrit või 1/4 tolli.



Seadme ühendamisel võimendi ja peamise õhuliiniga järgige alltoodud juhiseid:

- Suruge suure hüdrovooliku ots seadmest võimendi otsas olevasse kiirliitmikku.
- Võimendi esiküljel (vt lk 335):
 - Lükake sinine pneumovoolik (välisläbimõõt 4 mm) ahendusliitmikku, mis asub vasakpoolse vaheliitmikus.
 - Lükake must pneumovoolik (välisläbimõõt 4 mm) parempoolse vaheliitmiku plastpadrunisse.
- Juhtimisploki esiküljel (vt lk 335):
 - Lükake hõbedane pneumovoolik (välisläbimõõt 3 mm) juhtimisploki vasakpoolsel küljel asuvasse reduktorisse, millel on kirjas „Cursor“.
 - Lükake roheline pneumovoolik (välisläbimõõt 4 mm) juhtimisploki esikülje keskel asuvasse reduktorisse, millel on kirjas „Tail Jaws“.
 - Lükake valge pneumovoolik (välisläbimõõt 4 mm) juhtimisploki parempoolsel küljel asuvasse reduktorisse, millel on kirjas „Signal“.
- Paigaldage pneumovoolik võimendi tagaküljel oleva väliskeermega liitmiku ja õhuvarustuse vahele.

4.2 ÕHUKURSORID



Õhukursori valimine

Otsiku osade kohta leiate teavet eraldi andmelehel 07900-00863.

KURSOR

TÄHELEPANU!

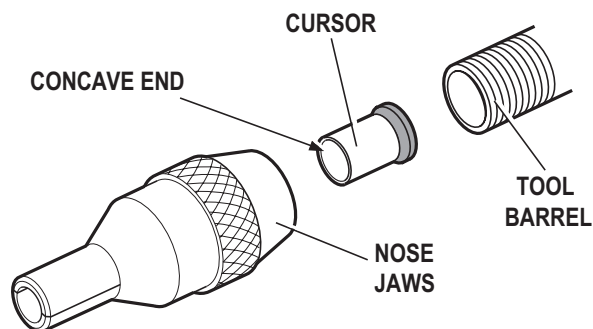
Kui kursor on valesti paigaldatud, ei ole võimalik seadet täita ega neete sööta.

Kuigi kursor on seadme tarnimisel õiges asendis, soovitame enne otsiku paigaldamist kontrollida selle suunda. Kursori veidi nõgus ots peaks olema suunatud seadme esiosa poole, nagu joonisel näidatud.

Kursori suuna muutmiseks toimige järgmiselt.

Järgmiste toimingute tegemisel tuleb olla äärmiselt ettevaatlik. Tuleb olla ettevaatlik ning hoiduda trumlist ja väljaulatuvast südamikust.

- Eemaldage otsik, kui see on olemas.
- Sisestage tühi südamik lõpuni seadmesse.
- Sulgege tagumised haaratsid **32**, lülitades sisse tagumise haaratsi lüliti (**18** ja **19**).
- Kursor hüppab väikese viivitusega trumlist välja.
- Avage tagumised haaratsid **32**, lülitades välja tagumise haaratsi lüliti (**18** ja **19**), mille tulemusena vabaneb südamik.
- Eemaldage kursor südamikust ja sisestage kursor trumlisse.



4.3 SEADME TÄITMINE

TÄHELEPANU!

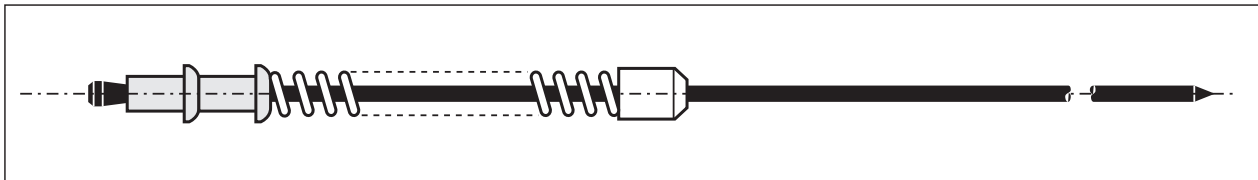
Seadme täitmise ja otsiku seadme külge paigaldamise protseduur on lahutamatu.

Täieliku seadme või süsteemi tellimisel tarnitakse tavaliselt kõik neetide paigaldamiseks vajalikud tarvikud.

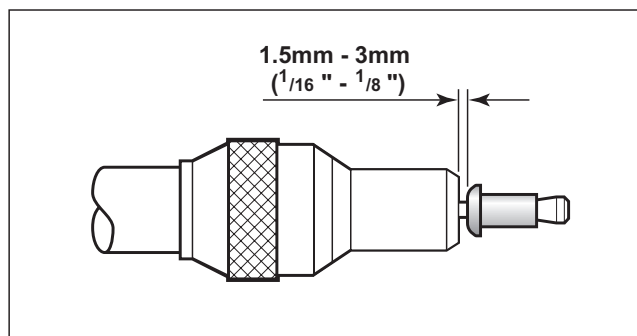
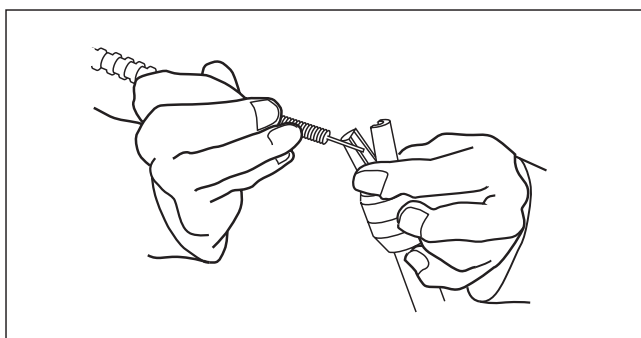
Kui teil on olemas otsiku haarats, südamikud ja südamiku tõukurvedrud, täitke seade ja paigaldage otsik, nagu allpool näidatud.

Seadme täitmine

- Ühendage seadme õhuvarustus.
- Avage tagumised haaratsid **32**, mis hoiavad südamikku kinni, lülitades tagumise haaratsi lüliti välja (**18 ja 19**).
- Kravige valitud eesmised haaratsid seadme trumli **44** külge.
- * Sisestage südamik läbi paberi kinnitusvahendi tagumisse otsa.
- Lükake südamiku tõukurvedru õiget pidi südamiku otsa.



- Südamiku tagumisest otsast kinni hoides rebige paber kinnitusvahendite küljest ära.
- Avage eesmised haaratsid, pöörates välimist rõngast nukkhaaratsitel või lükates haaratsite otsad väljapoole, nagu näidatud allpool vasakul.
- Sisestage eelnevalt kokkupandud südamik, südamiku tõukurvedru ja needid otsiku haaratsite vahele, nii et esimene paigaldatav neet ulatub otsiku haaratsist välja.
- Sulgege otsiku haaratsid ja reguleerige nii, et esimene neet ulatuks 1,5–3 mm ($1/16''$ kuni $1/8''$) välja, nagu näidatud all paremal oleval joonisel.
- Sulgege tagumised haaratsid **32**, et südamik oleks kindlas haardes, lülitades sisse tagumise haaratsi lüliti (**18 ja 19**).



Seadme korduv täitmine

- Avage seadme tagumised haaratsid **32**, lülitades need välja (**18 ja 19**).
- Avage otsiku haaratsid ja tõmmake tühi südamik ja südamiku tõukurvedru seadmest välja.
- Täitke seade uuesti, järgides eespool toodud juhiseid alates punktist •*.

Tööriista seadistamine – ainult reguleeritavad otsikud

Sisestage eelnevalt kokkupandud südamik (vt Seadme täitmine •*) või ühekordne südamik vastu tagumise haaratsi kolvi **60** tükist.

Hoides südamikust kinni, avage seda paigal hoidvad tagumised haaratsid **32**, lülitades tagumise haaratsi lüliti sisse (**18 ja 19**).

Kravige lukustusmutter seadme trumli **44** külge.

Keerake otsik trumli **44** otsa.

Reguleerige otsikut nii, et esimene neet ulatuks 1,5–3 mm ($1/16''$ – $1/8''$) välja, nagu näidatud joonisel lk 331.

Kinnitage lukustusmutter vastu otsikut, et vältida otsiku haaratsite liikumist.

Seadme korduv täitmine

Avage seadme tagumised haaratsid, lülitades välja tagumise haaratsi lüliti (**18–19**).

Avage haaratsid ning tõmmake tühi südamik ja tõukurvedru seadmest välja.

Sisestage uus südamik vastu seadmes olevat tõkist ja sulgege südamikku kinni hoidvad tagumised haaratsid **32**, lülitades sisse tagumise haaratsi lüliti (**18 ja 19**).

Sulgege tagumised haaratsid **32**.

4.4 KASUTAMINE**TÄHELEPANU!**

Enne seadme kasutamist tuleb kontrollida, kas kursori asetus ja otsik on õiged.

- Lükake otsiku haaratsist väljaulatuv neet paigaldusaukudesse, jälgides, et seade asetseks otse.
- Hoidke päästikut all – südamiku ots tõmmatakse läbi needi, mille tulemusena paigaldatakse neet toorikusse.
- Eemaldage seade.
- Vabastage päästik. Otsiku haaratsite vahele ilmub automaatselt järgmine neet, mis on paigaldamiseks valmis.

5. SEADME HOOLDUS

Seadet tuleb korrapäraselt hooldada ning kord aastas või iga 500 000 töötükli järel, olenevalt sellest, kumb jõuab varem kätte, tuleb teha põhjalik ülevaatus.

TÄHELEPANU!

Tööandja kohus on tagada, et seadme hooldusjuhised edastatakse vastavatele töötajatele. Kasutaja ei tohib seadet ise hooldada ega parandada, kui tal puudub vastav väljaõpe.

5.1 PNEUMOSÜSTEEMI JUHTIMISPLOKK

TÄHELEPANU!

Mitte mingil juhul ei tohi pneumosüsteemi plokki avada. Juhtimisplakk on suletud süsteem. Sisemised seadistused on eelseadistatud ja neid ei tohi muuta ega rikkuda. Seda juhtimisplakki tohivad lahti võtta ainult STANLEY Engineered Fasteningi volitatud töötajad.

▲ ETTEVAATUST! Ärge kasutage tööriista mittemetallist osade puhastamiseks lahusteid ega muid tugeva toimega kemikaale. Need kemikaalid võivad nimetatud osade materjale nõrgendada.

5.2 IGA PÄEV

- Iga päev, enne kasutamist või seadme esmakordsel kasutuselevõtmisel. Kui õhuvarustus on ilma määrdeseadmeta, tilgutage võimendi õhu sisselaskeavasse mõni tilk puhast määrdeõli. Kui tööriista kasutatakse pidevalt, tuleb õhuvoolik õhu põhitoiteühendusest katkestada ja tööriista tuleb iga kahe kuni kolme tunni tagant määrda.
- Kontrollige õhu- ja õlilekkeid. Kahjustatud voolikud ja liitmikud tuleb välja vahetada.
- Kui rõhuregulaatoril pole filtrit, laske õhuühendusest õhk välja, et tühjendada see kogunenud mustusest või veest enne õhuvooliku ühendamist võimendiga. Filtri olemasolu korral laske see tühjaks.
- Kontrollige, et otsik oleks õige.
- Kontrollige südamikke korrapäraselt kulumise ja kahjustuste suhtes, jälgides paigalduste arvu (vt ohutuseeskirju lk 324–326).

5.3 KORD NÄDALAS

- Tehke kõik eespool kirjeldatud igapäevase hoolduse toimingud.
- Eemaldage, kontrollige, puhastage ja määrige tagumisi haaratseid (vt „Tagumise haaratsi silinder“ jaotises „Hooldus“, lk 336).
- Kontrollige, et õlitase võimendusseadme mahutis oleks umbes 12 mm (1/2") läbipaistvast katteplaadist allpool.

5.4 MOLÜBDEENLIITUMMÄÄRDE EP 3753 OHUTUSTEAVE

Määret saab tellida eraldi, tootekood on toodud hoolduskomplekti teemas lk 334.

Esmaabi

NAHALE SATTUMISEL:

Kuna määre on täiesti veekindel, on kõige otstarbekam eemaldada see nõuetekohase emulgeeriva nahapuhastusvahendiga.

ALLANEELAMISEL:

Kannatanule tuleb sisse joota 30 ml magneesiumhüdrosiidi, soovitavalt segatuna tassitäie piimaga.

SILMA SATTUMISEL:

Ärritav, kuid mitte kahjulik. Loputada veega ja pöörduda arsti poole.

Tulekahju

LEEKPUNKT: > 220 °C.

Ei ole klassifitseeritud tuleohtlikuks.

Sobivad kustutusvahendid: CO₂, haloon või pihustatud vesi, kui seda rakendab kogenud kasutaja.

Keskkond

Pühkige kaabitsaga kokku ja laske põletada või hävitada ametlikus käitlemiskohas.

Käsitsemine

Kasutage kaitsekreemi või õlikindlaid kindaid.

Hoiustamine

Eemal kuumusest ja oksüdeerivatest ainetest.

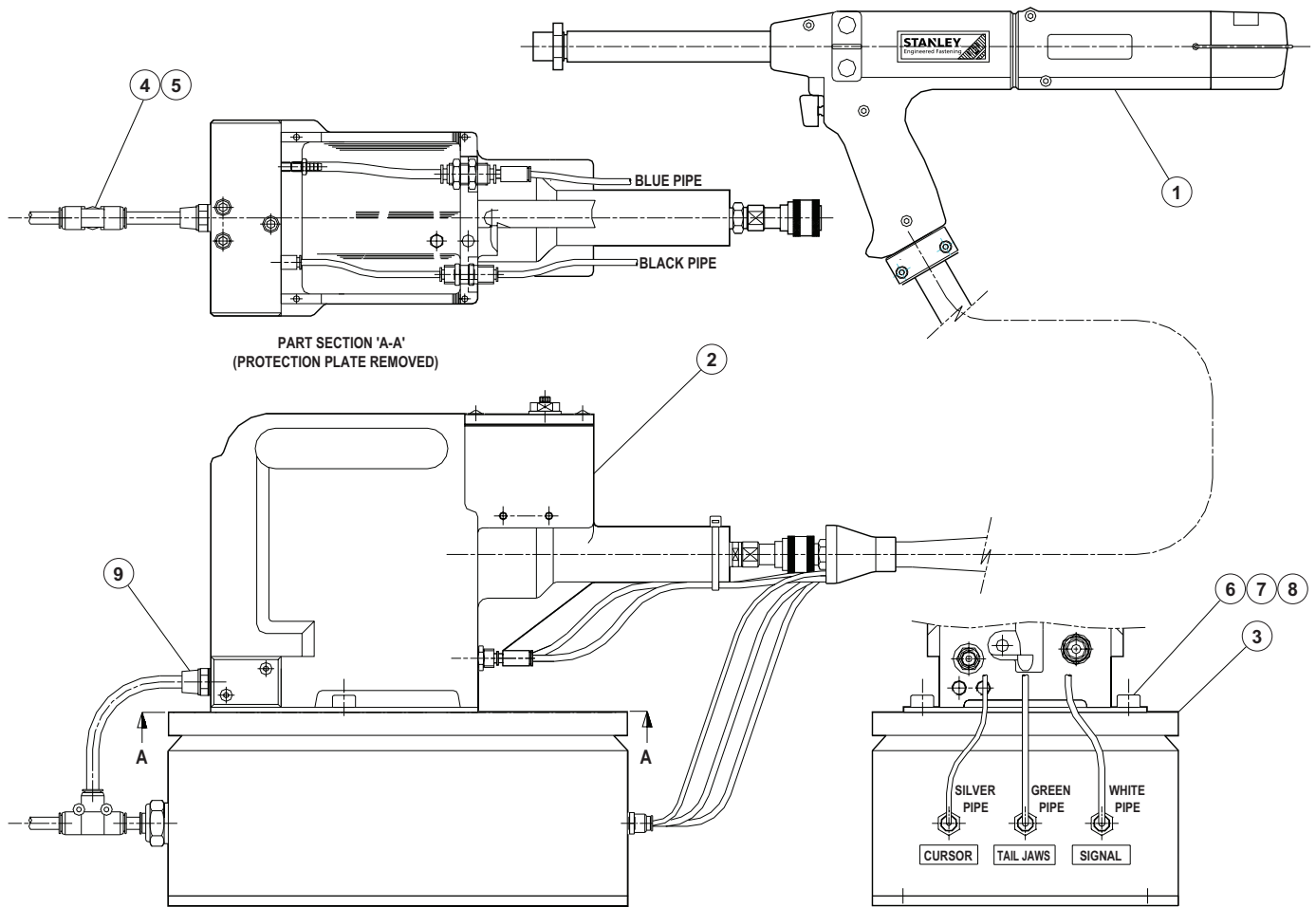
5.5 HOOLDUSKOMPLEKT

Kõigi hooldustööde puhul soovitame kasutada hoolduskomplekti (osa number 07900-05300).

HOOLDUSKOMPLEKT					
TOOTEKOOD	KIRJELDUS	KOGUS	TOOTEKOOD	KIRJELDUS	KOGUS
07900-00157	ÜMARTANGID	1	07900-00352	TIHENDI EEMALDAMISE KONKS	1
07900-00006	SPAATEL	1	07900-00710	TRUMLI KORGI EEMALDAMISE VÕTI	1
07900-00446	TÕMMITS	1	07900-00725	KUUL	1
07900-00603	TRUMLI KRUUSTANGID	1	07900-00243	KRUVIKEERAJA	1
07900-00520	3/8" VARRAS	1	07900-00717	VÕIMENDI MUTRIVÕTI	1
07900-00521	1/4" VARRAS	1	07900-00013	1/8" KUUSKANTVÕTI	1
07900-00602	RÕNGASTIHENDI PAIGALDAMISE SEADE	1	07900-00617	LOCTITE® MULTI-GASKET 574 50 ml PAKK	1
07900-00595	18 mm MUTRIVÕTI	1	07900-00469	2,5 mm KUUSKANTVÕTI	1
07900-00434	32 mm MUTRIVÕTI	1	07900-00351	3 mm KUUSKANTVÕTI	1
07900-00237	3/8" × 5/16" B.S.W. MUTRIVÕTI	1	07900-00224	4 mm KUUSKANTVÕTI	1
07900-00012	9/16" × 5/8" MUTRIVÕTI	1	07900-00225	5 mm KUUSKANTVÕTI	1
07900-00008	7/16" × 1/2" MUTRIVÕTI	1	07992-00020	80 g KARP MOLÜBDEENLIITIUMMÄÄRET EP 3753	1

Märkus! Mutrivõtmete suurust mõõdetakse ühest tasapinnast teiseni, kui ei ole märgitud teisiti.

5.6 ÕHUKURSORI TÖÖRIIST, VÕIMENDI JA JUHTIMISPLOKK 07536-02100



OSA	KOOD	KIRJELDUS	KOGUS
1	07536-02200	ÕHUKURSORI KÄSITÖÖRIIST	1
2	07531-02200	VÕIMENDI TÖÖRIIST	1
3	07007-02024	ÕHUKURSORI JUHTIMISPLOKK	1
4	07005-10071	T-LIITMIK	1
5	07005-10072	8 MM VOOLIK (2,50 m)	1
6	74405-12080	MODIFITSEERITUD M8 NUTSERT	8
7	07001-00469	M8 × 15 PESAPEAKRUVI	2
8	07002-00105	M8 SEIB	4
9	07005-01573	VÄLISKEERMEGA LIITMIKUGA 8 MM TORU	1
10	07005-01977	VÄLIS-/SISEKEERMEGA ÜLEMINEK 6 MM / 4 MM	1

6. HOOLDUS

Iga 500 000 töötükli järel tuleb seade täielikult lahti võtta ja asendada kulunud, kahjustatud või soovitude kohaselt vahetamisele kuuluvad osad uute osadega. Kõik O-rõngad ja tihendid tuleb enne seadme kokkupanemist välja vahetada ja määrada molübdeenliitiummäärdega EP 3753.

TÄHELEPANU!
Ohutusekirjad leiata lk 4.
Tööandja kohus on tagada, et seadme hooldusjuhised edastatakse vastavatele töötajatele.
Kasutaja ei tohib seadet ise hooldada ega parandada, kui tal puudub vastav väljaõpe.

Õhuvarustus tuleb enne hooldust või lahtivõtmist katkestada, kui ei ole ette nähtud teisiti.

Kõik demonteerimistoimingud on soovitatav teha puhtas keskkonnas.

Enne seadme lahtivõtmist tuleb eemaldada otsik.

Seadme täielikuks hoolduseks soovitame võtta vastu alakoostud allpool näidatud järjekorras, olles eelnevalt hüdrovooliku võimendist ning õhuliinid võimendist ja juhtimisplokist lahti ühendanud ja seega eraldanud püstoli võimendusseadmest.

Enne hooldust tuleb eemaldada potentsiaalselt ohtlikud ained, mis võisid töö käigus seadmesse ladestuda.

6.1 07536-02200 LAHTIVÕTMINE

TAGUMISE HAARATSI SILINDER

- Pöörake kinnitusklamber **53** käsitsi üles ja eemaldage otsakork **59**.
- Eemaldage kuuskantvõtme* abil üks pesapeakruvi **6**, lastes tagumise haaratsi silindrisse jäänud õhul välja voolata. Eemaldage teine pesapeakruvi **6**.
- Tõmmake tagumine kork **50** välja. **Märkus!** Väljatõmbamise hõlbustamiseks on pistiku tagaküljel 5 mm keere.
- Eemaldage tagumise haaratsi osad, milleks on tagumise haaratsi kolb **60**, tõkis **52**, rõngastihend **12** ja haaratsid **32**.
- Eemaldage ülejäänud osad, milleks on vedru **36** ja haaratsi korpus **42**.
- Vedru **36** nõtkepikkus peab olema 38,1 mm (1,5"). Vajadusel vahetage välja.
- Eemaldage kolvi rõngastihend **11**.
- Ühendage õhukursori lõõtstoru (roheline) **49** põlvliitmikust **22** lahti.
- Ühendage õhukursori lõõtstoru (hõbedane) **38** sakilise torupõlve **30** küljest lahti.
- Eemaldage seadme käepidemest kuuskantvõtme* abil kõik viis käepideme katte kinnituskrugi **3**, **4** ja kõik neli mutrit **8**.
- Pange trummel **44** kruustangide vahele, mis peaksid kahjustuste vältimiseks olema pehmendusega*.
- Keerake trumli kork **46** otsmutrivõtme* lahti, hoides trumlit **44** lehtvõtme* kinni, et see ei pöörleks.
- Tõmmake tagumise haaratsi silinder **47** seadme küljest lahti.
- Eemaldage rõngastihend **14**, hõrderiba **41** ja trumli tagastusvedru **37**.
- Enne kokkupanemist katke molübdeenliitiummäärdega tagumise haaratsi **32** pind, mis puutub kokku haaratsi korpusega **42**.
- Kokkupanemine käib lahtivõtmisele vastupidises järjekorras.

HÜDROKOLB

- Eemaldage tagumise haaratsi silinder **47**, nagu eespool kirjeldatud.
- Pange korpus **45** pehmendusega kruustangide vahele ja vabastage käigupikkuse piiraja **40**.
- Keerake kuuskantvõtme* lahti kruvi 5, hoiab lülitiplokki **54** trumli **44** küljes.
- Hoidke seadet kindlas haardes ja tõmmake trummel **44** korpusest **45** välja (otsikust võib tulla veidi hüdroöli).

* Viitab 0753 MKII hoolduskomplekti kuuluvatele osadele. Täieliku loendi leiata lk 334.

Paksus kirjas olevad numbrid viitavad koostejoonisele ja osade loendile lk 338–339.

- Eemaldage kolb **39** ettevaatlikult, et mitte kahjustada otsiku ava.
- Eemaldage tihend **16**.
- Tihendit **17** on raske kahjustamata eemaldada, aga selle võib puhastamise ajaks paigale jätta (tingimusel, et puhastusprotsess seda ei mõjuta). Kui tihend **17** vajab vahetamist, toimige järgmiselt.
- Eemaldage spaatli* abil korpusest **45** tihend **17**, püüdes mitte kahjustada korpuse õõnt ja auke. Eemaldatud tihend **17** TULEB ära visata.
- Tihendi **17** vahetamiseks keerake õhutuskork **43** lahti, kuni sisepind on korpuse **45** sisemise avaga ühel joonel. Siis saab läbi korpuse **45** tagaosa paigaldada uue tihendi **17**.
- Veenduge, et tihend **17** on korralikult määritud ja õiget pidi ning tihendi lahtine ots on suunatud tagumiste haaratsite poole.
- Kokkupanemine toimub lahtivõtmisele vastupidises järjekorras.

PÄÄSTIKUMEHCHANISM

- Seadme lahtivõtmiseks/hooldamiseks eemaldage katted, nagu eespool kirjeldatud.
- Ühendage kõik õhuvoolikud süsteemist lahti, vältides nende kahjustamist. Eemaldage süsteem.
- Keerake fiksaator **34** mutrivõtmega* lahti ja eemaldage. Jälgige, et vedru **31** ära ei kaoks.
- Eemaldage rõngastihend **10**, vältides võlli **35** ja fiksaatori **34** toetuspinna kahjustamist.
- Puhastage ja paigaldage uuesti, kasutades uut rõngasihendit **10**.
- Kontrollige vedru **31** pikkust – nõtkepikkus peab olema 12,7 mm (0,5") – vajadusel vahetage välja.
- Paigaldamine käib lahtivõtmisele vastupidises järjekorras.

TAGUMISE HAARATSI AVAMIS-/SULGEMISVENTIIL

- Seade on konstrueeritud nii, et see vajaks võimalikult vähe hooldust.
- Kui ventiil on vaja lahti võtta, toimige järgmiselt.
- Eemaldage päästiku korpus **56**, nagu kirjeldatakse jaotises „Hüdraulikakolb“.
- Eemaldage tagumise haaratsi pooli **55** küljest kruvikeerajaga* ettevaatlikult Chrome Star-lock seib **18** ja visake see minema.
- Tõmmake tagumise haaratsi pool **55** lülitusplokkist **54** välja.
- Eemaldage rõngasihendid **12**, püüdes mitte kahjustada tagumise haaratsi pooli **55**.
- Puhastage pool ja paigaldage koostetööriista* abil uued rõngasihendid **12** ning sisestage lülitusplokki **54**, jälgides õiget asetust.
- Paigaldage uus Chrome Star-lock seib **18**, kasutades kahjustuste vältimiseks pehmenusega kruustange. ÄRGE RAKENDAGE LIIGSET JÕUDU.
- Kokkupanemine toimub lahtivõtmisele vastupidises järjekorras.

KÄEPIDE JA OTSAKORK

- Puhastage ja kontrollige katteid pragude või muude kahjustuste suhtes.

KURSOR

- Puhastage ja õlitage kursorit aeg-ajalt vähese kergõliga.

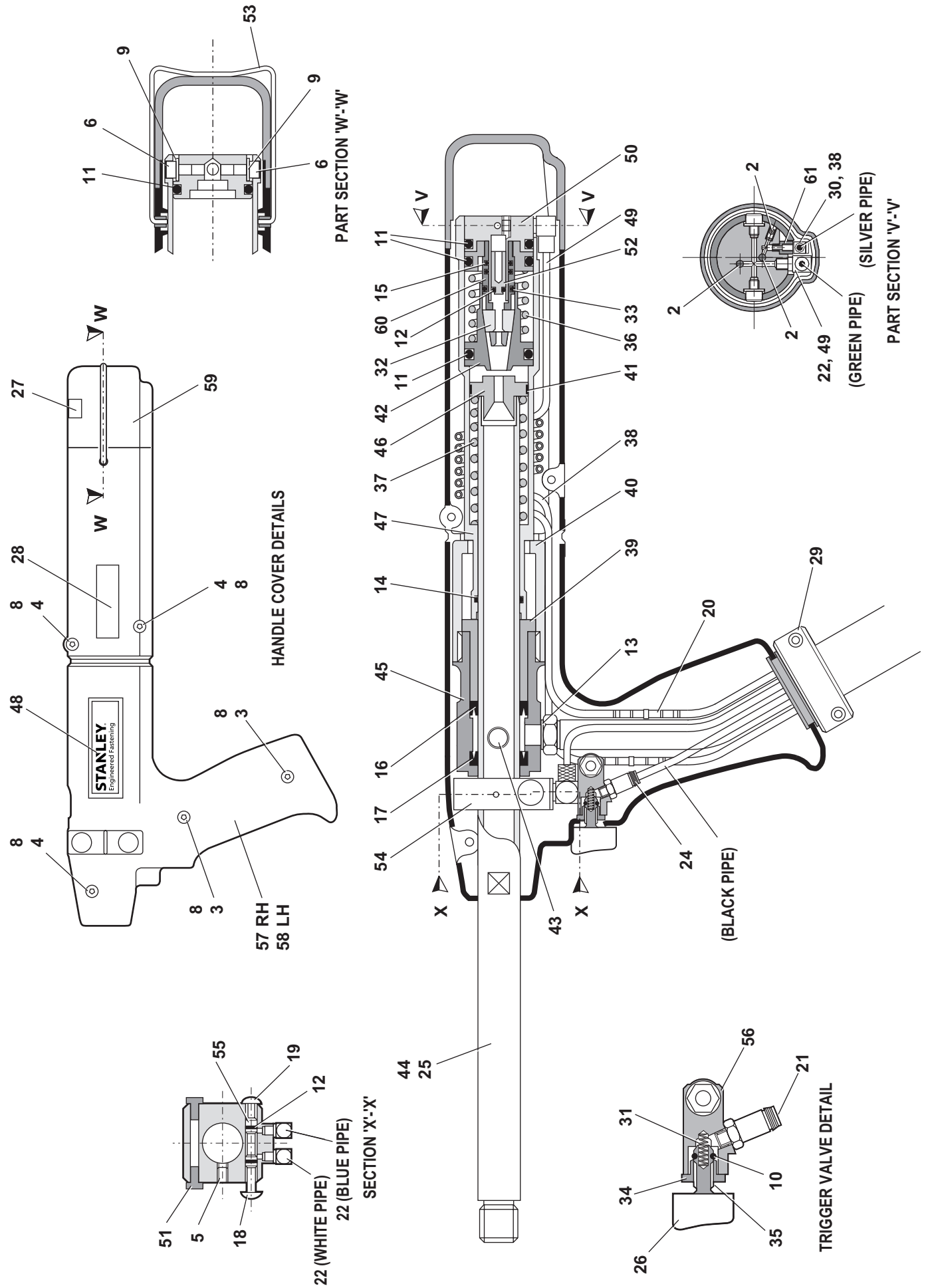
TÄHELEPANU!

**Kontrollige seadme igapäevase ja iganädalase hoolduse vajadust.
Pärast seadme lahtivõtmist ja enne kasutamist on ALATI vajalik eeltäitmine.**

* Viitab 0753 MKII hoolduskomplekti kuuluvatele osadele. Täieliku loendi leiata lk 334.

Paksus kirjas olevad numbrid viitavad koosteejoonisele ja osade loendile lk 338–339.

6.2 KOOSTEJOONIS: PÕHISEADE 07536-02200



6.3 OSADE LOEND: PÕHISEADE 07536-02200

07536-02200 OSADE LOEND									
OSA	OSA NR	KIRJELDUS	TK	VARUOSAD	OSA	OSA NR	KIRJELDUS	TK	VARUOSAD
1	07007-00392	KAABLIKÕIDIK (POLE NÄIDATUD)	1	-	34	07220-00803	FIKSAATOR	1	-
2	07001-00499	M3 × 5 PIKK PESAPEAGA KINNITUSKRUVI	3	-	35	07241-00208	VÖLL	1	-
3	07001-00262	M4 × 22 PIKK PESAPEAKRUVI	1	-	36	07154-00404	VEDRU	1	-
4	07001-00401	M4 × 10 PIKK PESAPEAKRUVI	4	-	37	07490-03002	TRUMLI TAGASTUSVEDRU	1	-
5	07001-00404	M5 × 6 PIKK PESAPEAGA KINNITUSKRUVI	1	-	38	07536-02211	3 MM ÕHUKURSORI LÖÖTSTORU – HÖBEDANE	1	-
6	07001-00504	M4 × 6 PIKK PESAPEAKRUVI	2	2	39	07536-00203	KOLB	1	-
7					40	07530-00204	KÄIGUPIKKUSE PIIRAJA	1	-
8	07002-00134	M4 KUUSKANTMUTTER	4	-	41	07530-00206	HÕÖRDERIBA	1	1
9	07002-00153	M4 SEIB [PLAST]	2	-	42	07536-00208	HAARATSI KORPUS	1	-
10	07003-00022	RÕNGASTIHEND	1	-	43	07530-00500	TÜHJENDUSKORK [62–65] ●	1	-
11	07003-00113	RÕNGASTIHEND	3	3	44	07536-02201	TRUMMEL	1	-
12	07003-00121	RÕNGASTIHEND	3	3	45	07530-02202	KORPUS	1	-
13	07003-00142	1/8" BSP LIITIHEND	1	1	46	07530-02205	TRUMLI KORK	1	-
14	07003-00167	RÕNGASTIHEND	1	1	47	07536-02207	TAGUMISE HAARATSI SILINDER	1	-
15	07003-00386	RÕNGASTIHEND	2	-	48	07530-02210	SILT	2	-
16	07003-00236	TIHEND [DÜNAAMILINE]	1	1	49	07536-02212	4 MM ÕHUKURSORI LÖÖTSTORU – ROHELINE	1	-
17	07003-00237	TIHEND [STAATILINE]	1	-	50	07536-02213	TAGUMINE KORK	1	-
18	07004-00058	1/8" STARLOCK-SEIB, KROOM	1	-	51	07530-00310	TÜHJENDUSKORK	2	-
19	07004-00059	1/8" STARLOCK-SEIB, MUST	1	-	52	07536-02214	PIIRAJA	1	-
20	07005-10073	3 MM LIITMIK	1	-	53	07530-02220	KLAMBER	1	-
21	07005-01357	PADRUNLIITMIK	1	-	54	07530-02301	LÜLITUSPLOKK	1	-
22	07005-01571	PÕLVLIITMIK	3	-	55	07530-02302	TAGUMISE HAARATSI POOL	1	-
23	07536-02216	LUKUSTUSMUTTER	1	-	56	07530-02311	PÄÄSTIKU KORPUS	1	-
24	07005-10074	2 MM LIITMIK	1	-	57	07536-02601	KÄEPIDEME KATE, PAREMPOOLNE	1	-
25	07007-00017	TOLMUKORK	1	-	58	07536-02602	KÄEPIDEME KATE, VASAKPOOLNE	1	-
26	07007-00300	PÄÄSTIKNUPP	1	-	59	07530-02603	OTSAKORK	1	-
27	73200-02022	HOIATUSSILT	1	-	60	07536-02800	TAGUMISE HAARATSI KOLB	1	-
28	07007-01504	CE-MÄRGISE SILT	1	-	61	07536-02215	PAIGALDUSADAPTER	1	-
29	07008-00438	PAINDUV VOOLIK	1	-	62	07003-00142	●LIITIHEND (POLE NÄIDATUD)	1	1
30	07005-01323	M3 SAKILINE TORUPÕLV	1	-	63	07003-00194	●LIITIHEND (POLE NÄIDATUD)	1	1
31	07125-00215	VEDRU	1	-	64	07001-00442	●KRUVI (POLE NÄIDATUD)	1	1
32	07151-00403	TAGUMISED HAARATSID	1 paar	2	65	07530-00501	●KORK (POLE NÄIDATUD)	1	-
33	07003-00016	RÕNGASTIHEND	1						

6.4 LAHTIVÕTMISE JUHISED

- Võimendi demonteerimisel ühendage esmalt õhuvoolik võimendi sisselaskeliitmiku **22** küljest lahti.
- Vabastage kuuskantvõtme* abil neli kruvi **27** ja eemaldage kaitseplaat **24**.
- Ühendage päästiku voolik **47** võimendi ventiilist **43** või **48** lahti, vajutades väljalaskepadrunit ja tõmmates vooliku välja.
- Eemaldage katteplaat **4** ja tihend **35**, vabastades kuuskantvõtme* abil kruvid **37** ja seibid **36**.
- Veenduge, et tihend poleks kahjustatud, et kokkupanemisel oleks tagatud vajalik hermeetilisus.
- Pöörake võimendi ümber ja laske õli mahutist sobivasse anumasse.
- Eemaldage sobiva mutrivõtme* abil kiirliitmik **32** koos liitmiku **31** ja tihenditega **33**.
- Eemaldage võimendi ventiil **43** või **48** – selleks eemaldage kinnituskruvid sobiva mutrivõtmega, hoides samal ajal kinni rõngastihendit **21**, mis paikneb võimendi korpuse valandis.
- Eemaldage kruvi **19** sobiva kuuskantvõtme* abil ja eemaldage summuti kate **16**, vahtsummuti **15**, vahedetail **18** ja kinnitusplaat **20**.
- Tõmmake 6 mm plasttoru **41** vaakumliitmike **42** küljest lahti.
- Sisestage 3 mm kuuskantvõti* võimendi põhja alt läbi kahe augu ja keerake vaakumliitmikud **42** lahti. Märkus!
 - Tuleb olla ettevaatlik, kuna vaakumliitmikud on Loctite® 574 abil fikseeritud ja tihendatud.
 - Kui vaakumliitmikke on raske eemaldada, saab need välja puurida $\frac{3}{16}$ " või 4,7 mm läbimõõduga puuriga.
- Vaakumliitmike **42** kokkupanemiseks tuleb järgida järgmisi juhiseid: –
 - Leotage vaakumliitmikke sobivas krundis, nagu Perma Bond A905.
 - Pange võimendi keermestatud auku tilk hermeetikut Loctite® 574.
 - Torgake kuuskantvõti* võimendi põhja alt läbi augu. Veenduge, et kuuskantvõtme* küljes ei oleks hermeetikut Loctite® 574, enne kui selle vaakumliitmikku sisestate.
 - Keerake kuuskantvõtit, määrides samal ajal vaakumliitmiku alusele hermeetikut Loctite® 574.
 - Keerake vaakumliitmik võimendisse, jälgides, et liitmiku põhjas oleks piisavalt hermeetikut Loctite® 574, nii et keeret poleks näha.
- Eemaldage kruvikeerajaga ettevaatlikult sisemine kinnitusvõru **14**. Puhastage soont ja kontrollige, et sellel ei oleks kahjustusi.
- Kasutades tõmmitsat*, sisestage keermestatud ots otsakattesse **12** ning tõmmake see koos võimendi hülsiga **28** ja rõngastihenditega **10** ja **13** välja.
- Sisestage varras* läbi võimendi korpuse esiosas oleva ühendusava ning tõmmake kolvivarras **9** ja kolb välja.
- Keerake sobiva kuuskantvõtme* abil lahti kaks kruvi **25** ja eemaldage otsakate **12** võimendi hülsist **28**.
- Eemaldage tihenduskork **7** mutrivõtmega*.
- Sisestage varras* läbi võimendi korpuse esiosas asuva ühendusaugu ja lükake tihendi korpus **5** ning sellega seotud rõngastihendid ja huuletihendid välja.
- Eemaldage ventiili korpus **34** sobiva mutrivõtme* abil korpuse küljest. Puhastage madala rõhuga õhujoaga läbi puhudes.
- Eemaldage kolvivarras **9** võimendi õhukolvist **11**, pannes varda esiosa 20 mm (3/4") pikkuselt pehmenusega kruustangide vahele, vältides tööpinna kahjustamist või täkestamist.
- Keerake lukustusmutter **17** sobiva mutrivõtmega* lahti.
- Kokkupanemine toimub lahtivõtmisele vastupidises järjekorras, võttes arvesse järgmisi punkte:
 - Puhastage kõik osad ja vahetage kõik rõngastihendid.
 - Määrige kõiki tihendeid molübdeenliitiummäärdega.
 - Ventiili korpus **34** tuleb uuesti paigaldada, kasutades keermetihendusliimi.
 - Komplekteerige kolvisüsteem uue mutriga **17**.

* Viitab 0753 MKII hoolduskomplekti kuuluvatele osadele. Täieliku loendi leiata lk 334.

Paksus kirjas olevad numbrid viitavad juuresolevale joonisele ja osade loendile.

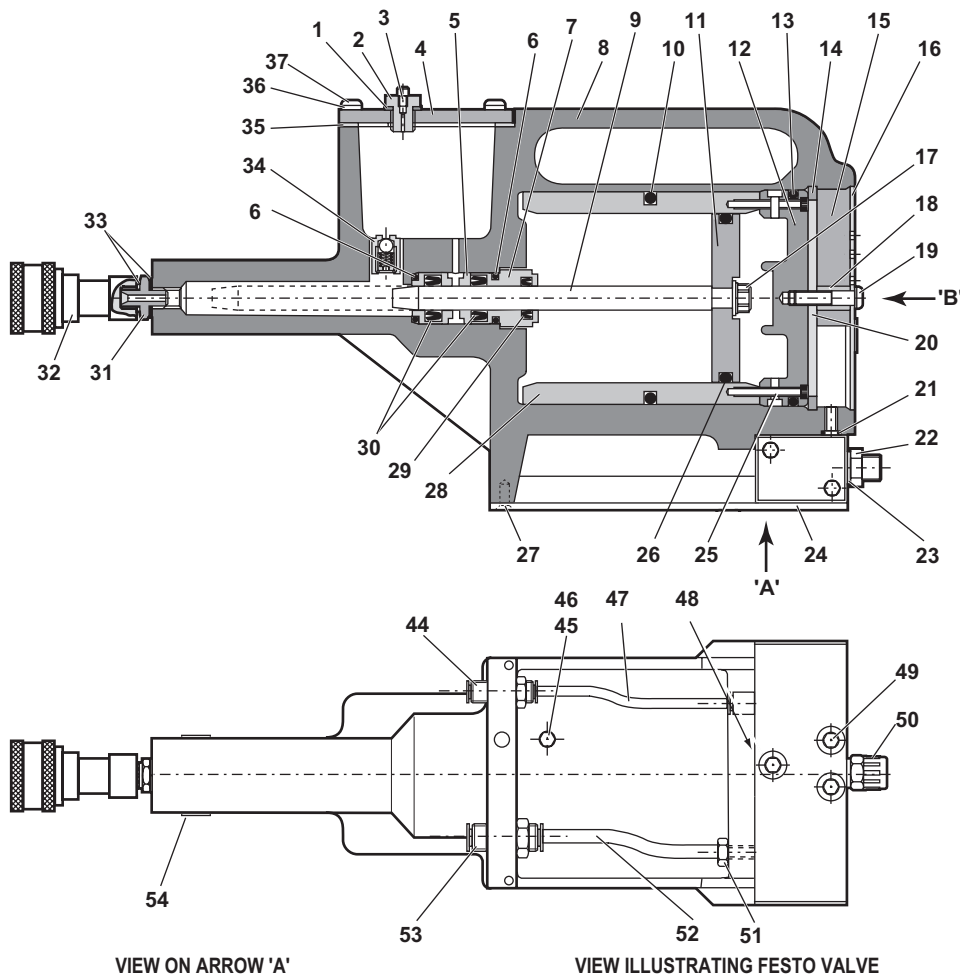
- Otsakate **12** peab olema kinnitussvõru **14** sees õigesti paigaldatud. Seadet ei tohi kasutada, kui otsakate on paigaldamata jäetud.

TÄHELEPANU!
Pärast seadme lahtivõtmist ja enne kasutamist on ALATI vajalik eeltäitmine.

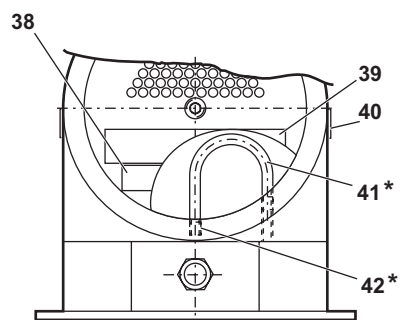
6.5 KESKKONNAKAITSE

Tagage vastavus kehtivatele jäätmekäitluse nõuetele. Kõik jäätmed tuleb toimetada heakskiidetud jäätmekäitlusettevõttesse või prügilasse, et vältida ohtu töötajatele ja keskkonnale.

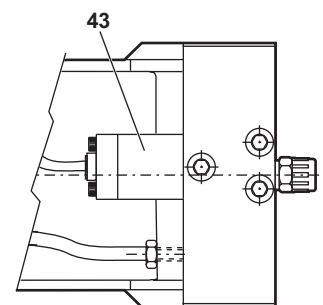
6.6 VÕIMENDI 07531-02200



Note
 * Some units will not include these items (The required link is achieved via internal porting).



VIEW ON ARROW 'B'



VIEW ILLUSTRATING COMPAIR VALVE

VIEW ON ARROW 'A'

VIEW ILLUSTRATING FESTO VALVE

* Viitab 0753 MKII hoolduskomplekti kuuluvatele osadele. Täieliku loendi leiab lk 334.
Paksus kirjas olevad numbrid viitavad juuresolevale joonisele ja osade loendile.

07531-02200 OSADE LOEND									
OSA	OSA NR	KIRJELDUS	TK	VARUOSAD	OSA	OSA NR	KIRJELDUS	TK	VARUOSAD
1	07003-00037	TIHEND	1	1	28	07531-00201	HÜLSS	1	-
2	07240-00211	TÄITEKRUVI	1	-	29	07003-00337	HUULTIHEND	1	1
3	07001-00418	ÕHUTUSKRUVI	1	1	30	07003-00336	HUULTIHEND	2	2
4	07240-00210	KATTEPLAAT	1	-	31	07005-00406	LIITMIK	1	-
5	71420-02006	TIHENDI KORPUS	1	-	32	07005-00759	KIIRLIITMIK	1	-
6	07003-00153	RÕNGASTIHEND	2	-	33	07003-00142	TIHEND	2	1
7	71420-02007	TIHENDI KORK	1	-	34	07240-00400	VENTIILI KORPUS	1	-
8	71420-02300	KORPUSE KOKKUPANEMINE	1	-	35	07240-00209	LAMETIHEND	1	1
9	71420-02008	KOLVIVARRAS	1	-	36	07002-00073	SEIB	4	1
10	07003-00182	RÕNGASTIHEND	1	1	37	07001-00554	KRUVI	4	1
11	07531-00202	ÕHUKOLB	1	-	38	07007-01504	SILT	1	-
12	07531-00204	OTSAKATE	1	-	39	07240-00217	SILT	1	-
13	07003-00183	RÕNGASTIHEND	1	1	40	07531-00205	SILT	2	-
14	07004-00069	HOIDEVÕRU	1	1	41	07005-00596	* 6 mm PLASTTORU	-	-
15	07240-00213	VAHTSUMMUTI	1	1	42	07245-00103	* VAAKUMLIITMIK	2	-
16	07240-00214	SUMMUTI KATE	1	-	43	07005-00590	COMPAIR-VENTIIL	1	1
17	07002-00017	MUTTER	1	1	44	07005-01431	VAHELIITMIK	1	1
18	07240-00215	VAHEPUKS	1	-	45	07005-00668	M5 KORK	1	-
19	07001-00417	KRUVI	1	1	46	07005-00670	M5 TIHENDUSRÕNGAS	1	-
20	07240-00216	KINNITUSPLAAT	1	-	47	07005-01084	4 mm PLASTTORU (150 mm)	-	-
21	* 07003-00042	RÕNGASTIHEND	1	1	48	07005-01524	FESTO VENTIIL	1	-
22	07005-00041	LIITMIK	1	-	49	07001-00176	KRUVI	3	-
23	07003-00065	SEIB	1	-	50	07007-00292	1/4" BSP KORK	1	-
24	07240-00220	KAITSEPLAAT	1	-	51	07005-00647	LIITMIK	1	-
25	07001-00375	KRUVI	2	-	52	07005-01085	6 mm PLASTTORU (150 mm)	-	-
26	07003-00238	RÕNGASTIHEND	1	1	53	07005-00855	VAHELÜLI	1	-
27	07001-00396	KRUVI	4	-	54	73200-02022	HOIATUSSILT	1	-

7. EELTÄITMINE

Pärast seadme lahtivõtmist ja enne kasutamist on ALATI vajalik eeltäitmine. Samuti võib osutuda vajalikuks täieliku käigu taastamine pärast ulatuslikku kasutamist, millega seoses võib käigu pikkus väheneda, mistõttu ei õnnestu neete päästiku ühe vajutusega korralikult paigaldada.

7.1 TEAVE ÖLI KOHTA

Eeltäitmiseks soovitatav õli on Hyspin® VG32 ja AWS 32, mis on saadaval 0,5-liitrites (tootekood 07992-00002) või ühegallonilistes (tootekood 07992-00006) mahutites. Vaadake alltoodud ohutusteavet.

7.2 HYSPIN® VG32 JA AWS 32 ÖLI OHUTUSTEAVE

Esmaabi

NAHALE SATTUMISEL:

Peske esimesel võimalusel põhjalikult vee ja seebiga. Juhusliku kokkupuute korral ei ole vaja kohest tähelepanu. Lühiajalise kokkupuute korral ei ole vaja kohest tähelepanu.

ALLANEELAMISEL:

Pöörduge kohe arsti poole. ÄRGE kutsuge esile oksendamist.

SILMA SATTUMISEL:

Loputada kohe mitu minutit veega. Kuigi EI OLE esmane ärritaja, võib pärast kokkupuudet tekkida kerge ärritus.

Tulekahju

Sobivad kustutusvahendid: CO₂, kuivpulber, vaht või veeudu. ÄRGE kasutage veejuga.

Keskkond

JÄÄTMETE KÕRVALDAMINE: Volitatud alltöövõtja kaudu selleks ettenähtud kohta. Võib põletada. Kasutatud toote võib saata taaskasutamiseks.

MAHAVOOLAMISEL: Vältige äravoolutorudesse, kanalisatsiooni ja veekogudesse sattumist. Leotage imava materjaliga.

Käsitsemine

Kandke silmade kaitset, mitteläbilaskvaid kindaid (nt PVC) ja plastist põlle. Kasutada hea ventilatsiooniga kohas.

Hoiustamine

Erilisi ettevaatusabinõusid pole.

7.3 EELTÄITMINE

TÄHELEPANU!

ÄRGE VAJUTAGE PÄÄSTIKUT ÖHUTUSKRUVI EEMALDAMISE AJAL
Kõik toimingud tuleb teha puhtal pingil, puhaste kätega ja puhtas kohas.
Uus õli peab olema täiesti puhas ja õhumullideta.

Alati TULEB olla ettevaatlik, et seadmesse ei satuks võõrkehasid, muidu võivad tekkida tõsised kahjustused.

- Eemaldage kruvi **2** ja tihend **1** võimendi mahuti plastist katteplaadilt **4**.
- Valage mahutisse eeltäiteõli, kuni see ulatub ülaservast umbes 12 mm (1/2 tolli) kaugusele.
- Paigaldage uuesti kruvi **2** ja tihend **1**.
- Ühendage võimendi õhuvarustusega. Eemaldage mahuti kruvi.
- Kui püstol 07536 on paigaldatud võimendusseadme külge ja seda hoitakse allpool võimendusseadme taset, keerake 07536 tühjenduskruvi **64** tühjenduskorgi **43** küljest lahti ja laske õlil seadmest välja voolata.
- Kui õli voolab vabalt ja ilma õhumullideta, pingutage õhutuskruvi.
- Täitke võimendusseadme mahuti eeltäiteõliga.
- Laske seadmel töötada, kuni õlis olevad õhumullid väljuvad õlipaaki.

8. DIAGNOSTIKA

PROBLEEM	VÕIMALIK PÕHJUS	LAHENDUS	LK
Neeti ei paigaldata.	Madal õhurõhk.	Suurendage õhurõhku.	
	Vähe määret.	Määrige õhu sisselaskeava.	
	Suur koormus.	Kontrollige needi haarduvust ja paigaldusava suurust.	
	Kontrollige, kas südamik on õiges mõodus.		
	Tagumised haaratsid välja lülitatud.	Lülitage tagumised haaratsid sisse.	
	Õhk hüdraulikasüsteemis.	Vt „Eeltäitmine“.	343
Südamik libiseb – haaratsid ei võta südamikust kinni.	Tagumised haaratsid kulunud või määrdunud.	Puhastage või vajadusel vahetage välja.	
	Õhurõhk või -maht ebapiisav.	Suurendage õhurõhku/mahtu.	
	Tagumise haaratsi lüliti ei tööta.	Vahetage lüliti välja.	
	Õhk lekib tagumistesse haaratsitesse.	Vahetage kolvi 11 rõngastihendid välja.	
	Südamik katki ja ei ulatu tagumiste haaratsiteni.	Vahetage südamik välja.	
Pneumaatilise juhtimisploki rike.	Võtke ühendust Stanley Engineered Fasteningi töötajatega.		
Haaratsid ei vabasta südamikku.	Tagumised haaratsid või haaratsi korpus määrdunud.	Puhastage ja määrige.	
	Tagumise haaratsi lüliti rikkis.	Asendage rõngastihendid.	
	Süsteemi jäänud õhu signaal.	Kontrollige pneumovoolikuid.	
	Pneumaatilise juhtimisploki rike.	Võtke ühendust Stanley Engineered Fasteningi töötajatega.	
Neete ei söödeta eesmistest haaratsite kaudu.	Tagumised haaratsid pole sisse lülitatud.	Lülitage tagumised haaratsid sisse.	
	Tagumised haaratsid kulunud.	Tagumised haaratsid vajavad väljavahetamist.	
	Kursor valet pidi.	Paigaldage õiget pidi tagasi.	
	Vale kursor.	Paigaldage õige kursor.	
	Valed eesmised haaratsid.	Paigaldage õiged eesmised haaratsid.	
	Südamiku tõukevedru pole paigaldatud.	Paigaldage südamiku õige tõukurvedru.	
	Südamiku tõukuri pikkus.	Paigaldage õige südamiku tõukur.	
	Needipea ja eesmistest haaratsite vahe vale suurusega.	Seadke vahe suuruseks 1,5–3 mm (1/16"–1/8"). Vt „Seadme täitmine“.	331–332
	Kursor kiilub kinni.	Puhastage ja õlitage kursor.	
	Õhukursor kulunud.	Vahetage kursor välja.	
	Paigaldatud südamiku tõukevedru on vale.	Paigaldage südamiku õige tõukurvedru.	
Trumli tagastusvedru kulunud või katki.	Paigaldage uuesti trumli tagastusvedru.		
Tagumised haaratsid tugevalt kulunud.	Suur koormus.	Kontrollige materjali paksust ja ava suurust ning neetide haardevõimet.	
Korraga söödetakse mitu neeti.	Südamiku libisemine.	Kontrollige samamoodi nagu punktis 2 südamiku libisemist.	
	Needipea ja eesmistest haaratsite vahe vale suurusega.	Seadke vahe suuruseks 1,5–3 mm (1/16"–1/8"). Vt märgitud lk „Seadme täitmine“.	331–332

Muudest sümptomitest või riketest tuleb teatada Stanley Engineered Fasteningi kohalikule esindusele või remonditöökojale.

MÄRKUSED

9. EÜ VASTAVUSDEKLARATSIOON

Stanley Engineered Fastening, Stanley House, Works Road, Letchworth Garden City, Hertfordshire, SG6 1JY ÜHENDKUNINGRIIK, kinnitab ainuvastutajana, et toode:

Kirjeldus: Hüdropneumaatiline kiirneedipüstol

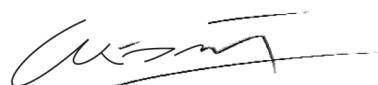
Mudel: 07536

mida käesolev deklaratsioon puudutab, vastab järgmistele ühtlustatud standarditele:

ISO 12100:2010	EN ISO 3744:2010
EN ISO 11202:2010	EN ISO 11148-1:2011
EN ISO 4413:2010	BS EN 28662-1:1993
EN ISO 4414:2010	EN ISO 20643:2008+A1:2012
EN ISO 28927-5:2009+A1:2015	ES100118-rev 17:2017

Tehniline dokumentatsioon on koostatud vastavalt VII lisa kooskõlas järgmise direktiiviga: **2006/42/EÜ – masinadirektiiv** (juriidilist jõudu omavad dokumendid 2008 nr 1597 – masinate tarnimise (ohutuse) eeskirjad).

Allakirjutanu on vormistanud käesoleva deklaratsiooni STANLEY Engineered Fasteningi nimel.



A. K. Seewraj
Tehnoloogijuht, UK

Avdel UK Limited, Stanley House, Works Road, Letchworth Garden City, Hertfordshire, SG6 1JY ÜHENDKUNINGRIIK

Väljaandmise koht: Letchworth Garden City, UK

**Väljaandmise
kuupäev:** 01.01.2021

Allakirjutanu on vastutav Euroopa Liidus müüdavate toodete tehnilise toimiku koostamise eest ja on vormistanud deklaratsiooni Stanley Engineered Fasteningi nimel.

Matthias Appel
Tehnilise dokumentatsiooni töörühma juht
Stanley Engineered Fastening, Tucker GmbH, Max-Eyth-Str. 1,
35394 Gießen, Saksamaa



Käesolev seade vastab järgmistele nõuetele:
Masinadirektiiv 2006/42/EÜ

STANLEY
Engineered Fastening

10.UK VASTAVUSDEKLARATSIOON

Stanley Engineered Fastening, Stanley House, Works Road, Letchworth Garden City, Hertfordshire, SG6 1JY ÜHENDKUNINGRIIK, kinnitab ainuvastutajana, et toode:

Kirjeldus: Hüdropneumaatiline kiirneedipüstol

Mudel: 07536

mida käesolev deklaratsioon puudutab, vastab järgmistele asjaomastele standarditele:

ISO 12100:2010	EN ISO 3744:2010
EN ISO 11202:2010	EN ISO 11148-1:2011
EN ISO 4413:2010	BS EN 28662-1:1993
EN ISO 4414:2010	EN ISO 20643:2008+A1:2012
EN ISO 28927-5:2009+A1:2015	ES100118-rev 17:2017

Tehniline dokumentatsioon on koostatud vastavalt masinate tarnimise (ohutuse) eeskirjadele 2008, S.I. 2008/1597 (muudetud).

Allakirjutanu on vormistanud käesoleva deklaratsiooni STANLEY Engineered Fasteningi nimel.



A. K. Seewraj

Tehnoloogijaht, UK

Avdel UK Limited, Stanley House, Works Road, Letchworth Garden City, Hertfordshire, SG6 1JY ÜHENDKUNINGRIIK

Väljaandmise koht: Letchworth Garden City, UK

**Väljaandmise
kuupäev:** 01.01.2021



Käesolev seade vastab järgmistele nõuetele:
Masinate tarnimise (ohutuse) eeskirjad 2008,
S.I. 2008/1597 (muudetud)

11.KAITSKE OMA INVESTEERINGUT!

Stanley® Engineered Fasteningi NEEDIPÜSTOLI GARANTII

STANLEY® Engineered Fastening garanteerib, et kõik elekritööriid on hoolikalt valmistatud ja neil ei esine materjali- ega tootmisdefekte tavatingimustes kasutades ja hooldades ühe (1) aasta jooksul.

Garantii kehtib seadme esmaostjale ainult ettenähtud otstarbel kasutamiseks.

Erandid

Tavapärase kulumine

Garantii ei kata tavapärasest kulumisest tingitud perioodilist hooldust, remonti ega osade vahetust.

Kuritarvitamine ja väärkasutamine

Garantii ei hõlma defekte ega kahjustusi, mis on tingitud valesti kasutamisest, hoiustamisest, väärkasutamisest või kuritarvitamisest, õnnetusest või hooletusest (nt füüsiline kahju).

Volitamata hooldus või muudatused

Garantii ei hõlma defekte ega kahjustusi, mis on tingitud kellegi muu kui STANLEY Engineered Fasteningi või tema volitatud hooldusesinduse poolsest teenindusest, seadistuste testimisest, paigaldusest, hooldusest, muutmisest või modifitseerimisest.

Käesolevaga välistatakse kõik muud otsesed ja kaudsed garantiid, sealhulgas igasugused garantiid seoses turustatavuse või otstarbeks sobivusega.

Kui seade ei vasta garantiile, saatke see viivitamata lähimasse meie tehase volitatud hooldusesindusse. STANLEY® Engineered Fasteningi USA või Kanada volitatud hooldusesinduste nimekirja saamiseks helistage meie tasuta numbril (877)364 2781.

Kui asute väljaspool USA-d ja Kanadat, külastage meie veebilehte **www.StanleyEngineeredFastening.com**, et leida teile lähim STANLEY Engineered Fasteningi esindus.

Sel juhul vahetab STANLEY Engineered Fastening tasuta välja osa või osad, mille tuvastame materjali- või tootmisdefektist tuleneva vea, ning tagastab seadme omal kulul. See on meie ainuvastutus antud garantii põhjal.

STANLEY Engineered Fastening ei ole mitte mingil juhul vastutav kaudse või erandliku kahju eest, mis tuleneb selle seadme ostmisest või kasutamisest.

Registreerige oma needipüstol internetis

Registreerige oma garantii internetiaadressil

<https://www.stanleyengineeredfastening.com/support/warranty-registration-form>

Täname, et valisite STANLEY® Engineered Fasteningi seadme kaubamärgiga Stanley Assembly Technologies.

©2021 Stanley Black & Decker Inc.
Με την επιφύλαξη κάθε δικαιώματος.

Οι παρεχόμενες πληροφορίες δεν επιτρέπεται να αναπαραχθούν εν όλω ή εν μέρει και/ή να δημοσιοποιηθούν με οποιονδήποτε τρόπο (ηλεκτρονικά ή μηχανικά) χωρίς προηγούμενη ρητή και γραπτή άδεια από τη STANLEY Engineered Fastening. Οι παρεχόμενες πληροφορίες βασίζονται στα δεδομένα που ήταν γνωστά κατά την ημερομηνία της εισαγωγής του προϊόντος αυτού στην αγορά. Η STANLEY Engineered Fastening ακολουθεί μια πολιτική συνεχούς βελτίωσης του προϊόντος και επομένως τα προϊόντα μπορεί να υπόκεινται σε αλλαγή. Οι παρεχόμενες πληροφορίες έχουν εφαρμογή στο προϊόν όπως αυτό παραδίδεται από τη STANLEY Engineered Fastening. Επομένως, η STANLEY Engineered Fastening δεν μπορεί να θεωρηθεί υπεύθυνη για οποιαδήποτε ζημιά προκληθεί λόγω αποκλίσεων από τις αρχικές προδιαγραφές του προϊόντος.

Οι διαθέσιμες πληροφορίες έχουν στοιχειοθετηθεί με τη μέγιστη προσοχή. Ωστόσο, η STANLEY Engineered Fastening δεν θα αποδεχθεί καμία ευθύνη σε σχέση με τυχόν σφάλματα στις πληροφορίες ούτε και για τις συνέπειες αυτών. Η STANLEY Engineered Fastening δεν θα αποδεχθεί καμία ευθύνη για ζημιές προκαλούμενες από δραστηριότητες πραγματοποιούμενες από τρίτους. Οι ονομασίες εργασίας, οι εμπορικές ονομασίες, τα καταχωρημένα εμπορικά σήματα κλπ. που χρησιμοποιούνται από την STANLEY Engineered Fastening δεν θα πρέπει να θεωρούνται ότι είναι ελεύθερα, βάσει της νομοθεσίας περί της προστασίας των εμπορικών σημάτων.

1. ΟΡΙΣΜΟΙ ΑΣΦΑΛΕΙΑΣ	350
1.1 ΓΕΝΙΚΟΙ ΚΑΝΟΝΕΣ ΑΣΦΑΛΕΙΑΣ	350
1.2 ΚΙΝΔΥΝΟΙ ΑΠΟ ΕΚΤΙΝΑΣΣΟΜΕΝΑ ΑΝΤΙΚΕΙΜΕΝΑ	350
1.3 ΚΙΝΔΥΝΟΙ ΑΠΟ ΤΗ ΛΕΙΤΟΥΡΓΙΑ	351
1.4 ΚΙΝΔΥΝΟΙ ΑΠΟ ΕΠΑΝΑΛΛΑΜΒΑΝΟΜΕΝΕΣ ΚΙΝΗΣΕΙΣ	351
1.5 ΚΙΝΔΥΝΟΙ ΑΠΟ ΑΞΕΣΟΥΑΡ	351
1.6 ΚΙΝΔΥΝΟΙ ΑΠΟ ΤΟΝ ΧΩΡΟ ΕΡΓΑΣΙΑΣ	351
1.7 ΚΙΝΔΥΝΟΙ ΑΠΟ ΘΟΥΡΥΒΟ	352
1.8 ΚΙΝΔΥΝΟΙ ΑΠΟ ΚΡΑΔΑΣΜΟΥΣ	352
1.9 ΠΡΟΣΘΕΤΕΣ ΟΔΗΓΙΕΣ ΑΣΦΑΛΕΙΑΣ ΓΙΑ ΠΝΕΥΜΑΤΙΚΟ ΚΑΙ ΥΔΡΑΥΛΙΚΟ ΕΡΓΑΛΕΙΟ	352
2. ΠΡΟΔΙΑΓΡΑΦΕΣ	353
2.1 ΠΡΟΔΙΑΓΡΑΦΗ ΓΙΑ ΕΡΓΑΛΕΙΟ 07536	353
2.2 ΠΡΟΔΙΑΓΡΑΦΗ ΓΙΑ 07531 ΠΟΛΛΑΠΛΑΣΙΑΣΤΗ ΠΙΕΣΗΣ	353
3. ΠΡΟΒΛΕΠΟΜΕΝΗ ΧΡΗΣΗ	354
3.1 ΔΙΑΣΤΑΣΕΙΣ ΕΡΓΑΛΕΙΟΥ - ΜΟΝΤΕΛΟ 07536	354
4. ΘΕΣΗ ΣΕ ΥΠΗΡΕΣΙΑ	355
4.1 ΠΑΡΟΧΗ ΑΕΡΑ	355
4.2 ΔΡΟΜΕΙΣ ΑΕΡΑ	356
4.3 ΦΟΡΤΩΣΗ ΚΑΙ ΕΠΑΝΑΦΟΡΤΩΣΗ ΤΟΥ ΕΡΓΑΛΕΙΟΥ	356
4.4 ΛΕΙΤΟΥΡΓΙΚΗ ΔΙΑΔΙΚΑΣΙΑ	358
5. ΣΕΡΒΙΣ ΤΟΥ ΕΡΓΑΛΕΙΟΥ	359
5.1 ΠΝΕΥΜΑΤΙΚΟ ΚΟΥΤΙ ΕΛΕΓΧΟΥ	359
5.2 ΚΑΘΗΜΕΡΙΝΑ	359
5.3 ΚΑΘΕ ΕΒΔΟΜΑΔΑ	359
5.4 ΓΡΑΣΟ ΜΟΛΥΒΔΑΙΝΙΟΥ-ΛΙΘΙΟΥ ΕΡ 3753 - ΔΕΔΟΜΕΝΑ ΑΣΦΑΛΕΙΑΣ	359
5.5 ΚΙΤ ΣΕΡΒΙΣ	360
5.6 ΣΥΓΚΡΟΤΗΜΑ ΕΡΓΑΛΕΙΟΥ ΔΡΟΜΕΑ ΑΕΡΑ, ΠΟΛΛΑΠΛΑΣΙΑΣΤΗ ΠΙΕΣΗΣ & ΚΟΥΤΙΟΥ ΕΛΕΓΧΟΥ 07536-02100	361
6. ΣΥΝΤΗΡΗΣΗ	362
6.1 ΑΠΟΣΥΝΑΡΜΟΛΟΓΗΣΗ 07536-02200	362
6.2 ΓΕΝΙΚΟ ΣΧΕΔΙΟ ΣΥΝΑΡΜΟΛΟΓΗΣΗΣ ΤΟΥ ΒΑΣΙΚΟΥ ΕΡΓΑΛΕΙΟΥ 07536-02200	365
6.3 ΛΙΣΤΑ ΕΞΑΡΤΗΜΑΤΩΝ ΓΙΑ ΤΟ ΒΑΣΙΚΟ ΕΡΓΑΛΕΙΟ 07536-02200	366
6.4 ΟΔΗΓΙΕΣ ΑΠΟΣΥΝΑΡΜΟΛΟΓΗΣΗΣ	367
6.5 ΠΡΟΣΤΑΣΙΑ ΤΟΥ ΠΕΡΙΒΑΛΛΟΝΤΟΣ	368
6.6 ΠΟΛΛΑΠΛΑΣΙΑΣΤΗΣ ΠΙΕΣΗΣ 07531-02200	368
7. ΑΡΧΙΚΗ ΠΛΗΡΩΣΗ	370
7.1 ΛΕΠΤΟΜΕΡΕΙΕΣ ΓΙΑ ΤΟ ΛΑΔΙ	370
7.2 ΛΑΔΙ HYSRIN® VG32 ΚΑΙ AWS 32 - ΔΕΔΟΜΕΝΑ ΑΣΦΑΛΕΙΑΣ	370
7.3 ΔΙΑΔΙΚΑΣΙΑ ΑΡΧΙΚΗΣ ΠΛΗΡΩΣΗΣ	370
8. ΔΙΑΓΝΩΣΗ ΒΛΑΒΩΝ	371
9. ΔΗΛΩΣΗ ΣΥΜΜΟΡΦΩΣΗΣ ΕΚ	373
10. ΔΗΛΩΣΗ ΣΥΜΜΟΡΦΩΣΗΣ ΗΝ. ΒΑΣΙΛΕΙΟΥ	374
11. ΠΡΟΣΤΑΤΕΨΤΕ ΤΗΝ ΕΠΕΝΔΥΣΗ ΣΑΣ!	375



Αυτό το εγχειρίδιο οδηγιών πρέπει να το διαβάσει κάθε άτομο που εγκαθιστά ή χρησιμοποιεί το εργαλείο, δίνοντας ιδιαίτερη προσοχή στους κανόνες ασφαλείας που ακολουθούν.



Πάντα κατά τη λειτουργία του εργαλείου να φοράτε προστασία ματιών ανθεκτική σε πρόσκρουση. Ο βαθμός προστασίας που απαιτείται θα πρέπει να αξιολογείται για κάθε χρήση.



Χρησιμοποιείτε προστασία ακοής σύμφωνα με τις οδηγίες του εργοδότη και όπως απαιτείται από τους κανονισμούς υγιεινής και ασφάλειας εργασίας.



Η χρήση του εργαλείου μπορεί να εκθέσει τα χέρια του χειριστή σε κινδύνους, περιλαμβανομένης σύνθλιψης, προσκρούσεων, κοψιμάτων και εκδορών, καθώς και θερμότητας. Φοράτε κατάλληλα γάντια για να προστατεύετε τα χέρια σας.

1. ΟΡΙΣΜΟΙ ΑΣΦΑΛΕΙΑΣ

Οι παρακάτω ορισμοί περιγράφουν το επίπεδο βαρύτητας για κάθε προειδοποιητική λέξη. Παρακαλούμε διαβάστε το εγχειρίδιο και δώστε προσοχή σε αυτά τα σύμβολα.

⚠ ΚΙΝΔΥΝΟΣ: Υποδεικνύει μια επικείμενη επικίνδυνη κατάσταση, η οποία, αν δεν αποφευχθεί, θα έχει ως συνέπεια θάνατο ή σοβαρό τραυματισμό.

⚠ ΠΡΟΕΙΔΟΠΟΙΗΣΗ: Υποδεικνύει μια δυνητικά επικίνδυνη κατάσταση, η οποία, αν δεν αποφευχθεί, θα μπορούσε να προκαλέσει θάνατο ή σοβαρό τραυματισμό.

⚠ ΠΡΟΣΟΧΗ: Υποδεικνύει μια δυνητικά επικίνδυνη κατάσταση, η οποία, εάν δεν αποφευχθεί, ενδέχεται να προκαλέσει τραυματισμό μικρής ή μέτριας σοβαρότητας.

⚠ ΠΡΟΣΟΧΗ: Όταν χρησιμοποιείται χωρίς το σύμβολο προειδοποίησης ασφαλείας ενημερώνει για μια δυνητικά επικίνδυνη κατάσταση η οποία, αν δεν αποφευχθεί, μπορεί να έχει ως αποτέλεσμα υλικές ζημιές.

Η ακατάλληλη χρήση ή συντήρηση αυτού του προϊόντος θα μπορούσε να έχει ως αποτέλεσμα σοβαρό τραυματισμό και υλικές ζημιές. Διαβάστε και κατανοήστε όλες τις προειδοποιήσεις και τις οδηγίες χρήσης πριν χρησιμοποιήσετε αυτόν τον εξοπλισμό. Όταν χρησιμοποιείτε εργαλεία ισχύος, πρέπει να τηρείτε πάντα βασικές προφυλάξεις ασφαλείας για να μειώσετε τον κίνδυνο τραυματισμού.

ΦΥΛΑΞΤΕ ΟΛΕΣ ΤΙΣ ΠΡΟΕΙΔΟΠΟΙΗΣΕΙΣ ΚΑΙ ΟΔΗΓΙΕΣ ΓΙΑ ΜΕΛΛΟΝΤΙΚΗ ΑΝΑΦΟΡΑ

1.1 ΓΕΝΙΚΟΙ ΚΑΝΟΝΕΣ ΑΣΦΑΛΕΙΑΣ

- Για πολλαπλούς κινδύνους, διαβάστε και κατανοήστε τις οδηγίες ασφαλείας πριν την εγκατάσταση, τη χρήση, την επισκευή, τη συντήρηση, την αλλαγή αξεσουάρ ή την εργασία κοντά στο εργαλείο. Σε αντίθετη περίπτωση μπορεί να προκύψει σοβαρή σωματική βλάβη.
- Μόνο εξειδικευμένοι και εκπαιδευμένοι χειριστές επιτρέπεται να εγκαθιστούν, ρυθμίζουν ή χρησιμοποιούν το εργαλείο.
- ΜΗ χρησιμοποιείτε το εργαλείο εκτός της προβλεπόμενης χρήσης του, που είναι η τοποθέτηση τυφλών πριτσινιών της STANLEY Engineered Fastening.
- Χρησιμοποιείτε μόνο εξαρτήματα, στοιχεία στερέωσης και αξεσουάρ που συνιστά ο κατασκευαστής.
- ΜΗΝ τροποποιήσετε το εργαλείο. Οι τροποποιήσεις μπορούν να μειώσουν την αποτελεσματικότητα των μέτρων ασφαλείας και να αυξήσουν τους κινδύνους για τον χειριστή. Η ευθύνη για οποιαδήποτε τροποποίηση γίνει στο εργαλείο από τον πελάτη θα βαρύνει αποκλειστικά και πλήρως τον πελάτη και μια τέτοια ενέργεια θα ακυρώσει όλες τις ισχύουσες εγγυήσεις.
- Μην πετάξετε τις οδηγίες ασφαλείας, αλλά δίνετε τις στον χειριστή.
- Μη χρησιμοποιήσετε το εργαλείο αν έχει υποστεί ζημιά.
- Πριν τη χρήση, ελέγξτε για εσφαλμένη ευθυγράμμιση ή φρακάρισμα κινούμενων μερών, θραύση εξαρτημάτων και οποιαδήποτε άλλη συνθήκη η οποία επηρεάζει τη λειτουργία του εργαλείου. Αν το εργαλείο έχει υποστεί ζημιά, φροντίστε να επισκευαστεί πριν το χρησιμοποιήσετε. Αφαιρέστε κάθε εργαλείο ή κλειδί ρύθμισης πριν τη χρήση.
- Τα εργαλεία θα πρέπει να επιθεωρούνται τακτικά για να επαληθεύεται ότι τα ονομαστικά στοιχεία και οι σημάσεις που απαιτούνται από αυτό τμήμα του ISO 11148 επισημαίνονται με ευανάγνωστο τρόπο πάνω στο εργαλείο. Ο εργοδότης/ο χρήστης θα πρέπει να επικοινωνήσει με τον κατασκευαστή για να αποκτήσει ανταλλακτικές ετικέτες σήμανσης όταν χρειαστεί.
- Το εργαλείο πρέπει να διατηρείται πάντα σε ασφαλή κατάσταση εργασίας και να εξετάζεται σε τακτικά διαστήματα από εκπαιδευμένο προσωπικό για ζημιές και καλή λειτουργία. Οποιαδήποτε διαδικασία αποσυναρμολόγησης θα γίνεται μόνο από εκπαιδευμένο προσωπικό. Μην αποσυναρμολογήσετε το εργαλείο χωρίς να έχετε προηγουμένως μελετήσει τις οδηγίες συντήρησης.

1.2 ΚΙΝΔΥΝΟΙ ΑΠΟ ΕΚΤΙΝΑΣΣΟΜΕΝΑ ΑΝΤΙΚΕΙΜΕΝΑ

- Αποσυνδέστε το εργαλείο από την παροχή αέρα πριν πραγματοποιήσετε οποιαδήποτε εργασία συντήρησης ή επιχειρήσετε να ρυθμίσετε, τοποθετήσετε ή αφαιρέσετε ένα συγκρότημα μύτης ή αξεσουάρ.

- Να έχετε υπόψη σας ότι τυχόν μηχανική αστοχία του αντικειμένου εργασίας ή των αξεσουάρ, ή ακόμα και του ίδιου του εργαλείου που έχει εισαχθεί, μπορεί να προκαλέσει την εκτόξευση σωματιδίων υπό υψηλή ταχύτητα.
- Πάντα κατά τη λειτουργία του εργαλείου να φοράτε προστασία ματιών ανθεκτική σε πρόσκρουση. Ο βαθμός προστασίας που απαιτείται θα πρέπει να αξιολογείται για κάθε χρήση.
- Επίσης τότε θα πρέπει να αξιολογούνται και οι κίνδυνοι για άλλους.
- Διασφαλίζετε ότι το αντικείμενο εργασίας είναι στερεωμένο σταθερά.
- Ελέγξτε ότι το μέσο προστασίας από εκτόξευση στοιχείου στερέωσης και/ή ατράκτου είναι στη θέση του και είναι λειτουργικό.
- Προειδοποιήστε έναντι πιθανής ισχυρής εκτόξευσης ατράκτων από το μπροστινό μέρος του εργαλείου.
- ΜΗ χρησιμοποιείτε εργαλείο που έχει κατευθυνθεί προς οποιοδήποτε άτομο (ή άτομα).

1.3 ΚΙΝΔΥΝΟΙ ΑΠΟ ΤΗ ΛΕΙΤΟΥΡΓΙΑ

- Η χρήση του εργαλείου μπορεί να εκθέσει τα χέρια του χειριστή σε κινδύνους, περιλαμβανομένης σύνθλιψης, προσκρούσεων, κοψιμάτων και εκδορών, καθώς και θερμότητας. Φοράτε κατάλληλα γάντια για να προστατεύετε τα χέρια σας.
- Οι χειριστές και το προσωπικό συντήρησης θα πρέπει να είναι σωματικά ικανοί να χειρίζονται τον όγκο, το βάρος και την ισχύ του εργαλείου.
- Κρατάτε το εργαλείο σωστά: να είστε έτοιμοι να αντιδράσετε σε κανονικές ή απότομες κινήσεις, και να έχετε και τα δύο χέρια σας διαθέσιμα.
- Διατηρείτε τις λαβές του εργαλείου στεγνές, καθαρές και απαλλαγμένες από λάδι και γράσο.
- Διατηρείτε μια ισορροπημένη στάση σώματος και ασφαλή στήριξη στα πόδια σας όταν χρησιμοποιείτε το εργαλείο.
- Ελευθερώστε τη διάταξη εκκίνησης-διακοπής λειτουργίας σε περίπτωση διακοπής της υδραυλικής παροχής.
- Χρησιμοποιείτε μόνο λιπαντικά που συνιστά ο κατασκευαστής.
- Πρέπει να αποφεύγετε την επαφή με υδραυλικό υγρό. Για να ελαχιστοποιήσετε την πιθανότητα ερυθρημάτων, πρέπει να προσέχετε να πλένεστε σχολαστικά σε περίπτωση επαφής.
- Δελτία δεδομένων ασφαλείας για όλα τα υδραυλικά λάδια και λιπαντικά είναι διαθέσιμα από τον προμηθευτή του εργαλείου σας κατόπιν αιτήματος.
- Αποφεύγετε μη ενδεδειγμένες στάσεις σώματος, επειδή πιθανότατα αυτές οι θέσεις δεν θα σας επιτρέψουν να αντιδράσετε σε κανονική ή μη αναμενόμενη κίνηση του εργαλείου.
- Αν το εργαλείο έχει στερεωθεί σε μια διάταξη ανάρτησης, βεβαιωθείτε ότι η στερέωση είναι ασφαλής.
- Έχετε υπόψη σας τον κίνδυνο σύνθλιψης ή συμπίεσης αν δεν έχει τοποθετηθεί εξοπλισμός μύτης.
- ΜΗ χρησιμοποιήσετε το εργαλείο αν έχει αφαιρεθεί το περίβλημα μύτης.
- Απαιτείται επαρκής απόσταση για τα χέρια του χειριστή του εργαλείου πριν τη συνέχεια.
- Όταν μεταφέρετε το εργαλείο από θέση σε θέση, κρατάτε τα χέρια μακριά από τη σκανδάλη για να αποφύγετε αθέλητη ενεργοποίηση.
- ΜΗΝ κακομεταχειρίζεστε το εργαλείο ρίχνοντάς το κάτω ή χρησιμοποιώντας το σαν σφυρί.
- Θα πρέπει να φροντίζετε να διασφαλίζετε ότι οι άχρηστες άτρακτοι δεν δημιουργούν κίνδυνο.

1.4 ΚΙΝΔΥΝΟΙ ΑΠΟ ΕΠΑΝΑΛΑΜΒΑΝΟΜΕΝΕΣ ΚΙΝΗΣΕΙΣ

- Κατά τη χρήση του εργαλείου, ο χειριστής μπορεί να αισθανθεί δυσφορία στα χέρια, στους βραχίονες, στους ώμους, στον αυχένα ή σε άλλα μέρη του σώματος.
- Κατά τη χρήση του εργαλείου, ο χειριστής θα πρέπει να υιοθετήσει μια άνετη στάση σώματος ενώ διατηρεί ασφαλή στήριξη στα πόδια του και αποφεύγει άβολες ή μη ευσταθείς στάσεις σώματος. Ο χειριστής θα πρέπει να αλλάζει στάση σώματος κατά τη διάρκεια παρατεταμένων εργασιών, επειδή αυτό μπορεί να βοηθήσει στην αποφυγή της δυσφορίας και της κόπωσης.
- Αν ο χειριστής αισθανθεί συμπτώματα όπως επίμονη ή επαναλαμβανόμενη δυσφορία, στιγμιαίο ή διαρκή πόνο, παλμικό αίσθημα, μυρμηγκιασμα, μούδιασμα, αίσθηση καύσου ή δυσκαμψία, δεν πρέπει να αγνοήσει αυτά τα προειδοποιητικά σήματα. Ο χειριστής θα πρέπει να το αναφέρει στον εργοδότη και να συμβουλευτεί έναν εξειδικευμένο επαγγελματία υγείας.

1.5 ΚΙΝΔΥΝΟΙ ΑΠΟ ΑΞΕΣΟΥΑΡ

- Αποσυνδέετε το εργαλείο από την παροχή αέρα πριν τοποθετήσετε ή αφαιρέσετε το συγκρότημα μύτης ή κάποιο αξεσουάρ.
- Χρησιμοποιείτε μόνο μεγέθη και τύπους αξεσουάρ και αναλώσιμων που συνιστά ο κατασκευαστής του εργαλείου - μη χρησιμοποιείτε άλλους τύπους ή μεγέθη αξεσουάρ ή αναλώσιμων.

1.6 ΚΙΝΔΥΝΟΙ ΑΠΟ ΤΟΝ ΧΩΡΟ ΕΡΓΑΣΙΑΣ

- Τα γλιστρήματα, τα παραπατήματα και οι πτώσεις είναι από τις κύριες αιτίες τραυματισμών στον χώρο εργασίας. Προσέχετε τις ολισθηρές επιφάνειες που προκύπτουν από τη χρήση του εργαλείου και επίσης τους κινδύνους παραπατήματος που προκαλούνται από τη χρήση αγωγού αέρα ή υδραυλικού εύκαμπτου σωλήνα.
- Ενεργείτε με προσοχή σε περιβάλλοντα με τα οποία δεν είστε εξοικειωμένοι. Μπορεί να υπάρχουν κρυφοί κίνδυνοι, όπως αγωγοί ρεύματος ή άλλων παροχών κοινής ωφελείας.
- Το εργαλείο δεν προορίζεται για χρήση σε δυνητικά εκρήξιμες ατμόσφαιρες και δεν διαθέτει μόνωση έναντι επαφής με ηλεκτρικό ρεύμα.

- Να βεβαιώνετε ότι δεν υπάρχουν ηλεκτρικά καλώδια, σωλήνες αερίων κλπ., που μπορούν να προκαλέσουν κίνδυνο αν υποστούν ζημιά από τη χρήση του εργαλείου.
- Φοράτε κατάλληλο ρουχισμό. Μη φοράτε ρούχα με χαλαρή εφαρμογή ούτε κοσμήματα. Κρατάτε τα μαλλιά, τα ρούχα και τα γάντια σας μακριά από κινούμενα μέρη. Τα ρούχα με χαλαρή εφαρμογή, τα κοσμήματα και τα μακριά μαλλιά μπορούν να πιαστούν σε κινούμενα μέρη.
- Θα πρέπει να φροντίζετε να διασφαλίζετε ότι οι άχρηστες άτρακτοι δεν δημιουργούν κίνδυνο.

1.7 ΚΙΝΔΥΝΟΙ ΑΠΟ ΘΟΡΥΒΟ

- Η έκθεση σε υψηλά επίπεδα θορύβου χωρίς προστασία μπορεί να προκαλέσει μόνιμη απώλεια ακοής και κώφωση, αλλά και άλλα προβλήματα όπως εμβοή (ήχος σαν κουδούνισμα, βούισμα, σφύριγμα ή μουρμουρητό στα αυτιά). Επομένως, είναι απαραίτητη μια αξιολόγηση κινδύνων και η εφαρμογή κατάλληλων μέτρων ελέγχου για τους κινδύνους αυτούς.
- Τα κατάλληλα μέτρα ελέγχου για τη μείωση του κινδύνου μπορεί να περιλαμβάνουν ενέργειες όπως η χρήση υλικών απόσβεσης για τη αποτροπή της δημιουργία ήχου "κουδουνίσματος" από τα αντικείμενα εργασίας.
- Χρησιμοποιείτε προστασία ακοής σύμφωνα με τις οδηγίες του εργοδότη και όπως απαιτείται από τους κανονισμούς υγιεινής και ασφάλειας εργασίας.
- Χρησιμοποιείτε και συντηρείτε το εργαλείο όπως συνιστάται στο εγχειρίδιο οδηγιών, για να αποτρέψετε άσκοπη αύξηση των επιπέδων θορύβου.

1.8 ΚΙΝΔΥΝΟΙ ΑΠΟ ΚΡΑΔΑΣΜΟΥΣ

- Η έκθεση σε κραδασμούς μπορεί να προκαλέσει βλάβη σε βαθμό αναπηρίας στα νεύρα και στην παροχή αίματος των χεριών και των βραχιόνων.
- Να φοράτε ζεστό ρουχισμό όταν εργάζεστε σε κρύες συνθήκες, και να διατηρείτε τα χέρια σας ζεστά και στεγνά.
- Αν αισθανθείτε μούδιασμα, μυρμήγκιασμα, πόνο ή άσπρισμα του δέρματος στα δάχτυλα ή στα χέρια σας, σταματήστε τη χρήση του εργαλείου, ενημερώστε τον εργοδότη σας και συμβουλευτείτε γιατρό.
- Όταν είναι εφικτό, υποστηρίξτε το βάρος του εργαλείου σε μια βάση, εντατήρα ή συσκευή ισορρόπησης, επειδή τότε μπορεί να χρησιμοποιηθεί ελαφρύτερο κράτημα για την υποστήριξη του εργαλείου.

1.9 ΠΡΟΣΘΕΤΕΣ ΟΔΗΓΙΕΣ ΑΣΦΑΛΕΙΑΣ ΓΙΑ ΠΝΕΥΜΑΤΙΚΑ & ΥΔΡΑΥΛΙΚΑ ΕΡΓΑΛΕΙΑ ΙΣΧΥΟΣ

- Η παροχή αέρα λειτουργίας δεν πρέπει να υπερβαίνει τα 7 bar (100 psi).
- Ο αέρας υπό πίεση μπορεί να προκαλέσει βαρύτατο τραυματισμό.
- Ποτέ μην αφήνετε το εργαλείο χωρίς επίβλεψη όταν είναι ενεργοποιημένο. Αποσυνδέετε τον εύκαμπτο σωλήνα αέρα όταν δεν χρησιμοποιείτε το εργαλείο, πριν αλλάξετε αξεσουάρ ή όταν πραγματοποιείτε επισκευές.
- ΜΗΝ αφήνετε το άνοιγμα εξόδου αέρα στη μετωπική επιφάνεια του συλλέκτη αξόνων να είναι στραμμένο προς την κατεύθυνση του χειριστή ή άλλων ατόμων. Ποτέ μην κατευθύνετε τον αέρα προς τον εαυτό σας ή οποιονδήποτε άλλον.
- Οι εύκαμπτοι σωλήνες που πλαταγίζουν μπορούν να προκαλέσουν βαρύ τραυματισμό. Πάντα να ελέγχετε για εύκαμπτους σωλήνες ή εξαρτήματα σύνδεσης που έχουν υποστεί ζημιά ή έχουν λασκάρει.
- Πριν τη χρήση, ελέγξτε τους αγωγούς αέρα για ζημιές - όλες οι συνδέσεις πρέπει να είναι καλά σφιγμένες. Μη ρίχνετε βαριά αντικείμενα πάνω στους εύκαμπτους σωλήνες. Ένα δυνατό χτύπημα μπορεί να προκαλέσει εσωτερικές ζημιές και να οδηγήσει σε πρόωρη αστοχία εύκαμπτου σωλήνα.
- Ο κρύος αέρας πρέπει να κατευθύνεται μακριά από τα χέρια.
- Όταν χρησιμοποιείτε γενικής χρήσης συζεύξεις συστροφής (συζεύξεις με ειδικές σιαγόνες), θα πρέπει να εγκαθίστανται πείροι ασφάλισης και συρματόσχοινα ασφαλείας για έλεγχο του πλαταγίσματος, για προστασία από ενδεχόμενη αστοχία σύνδεσης εύκαμπτου σωλήνα προς εργαλείο ή εύκαμπτου σωλήνα προς εύκαμπτο σωλήνα.
- ΜΗΝ ανυψώνετε το εργαλείο τοποθέτησης κρατώντας τον εύκαμπτο σωλήνα. Πάντα χρησιμοποιείτε τη λαβή του εργαλείου τοποθέτησης.
- Οι οπές εξαερισμού δεν πρέπει να εμποδίζονται ή να καλύπτονται.
- Κρατάτε τις ακαθαρσίες και τα ξένα υλικά έξω από το υδραυλικό σύστημα του εργαλείου, γιατί αυτά θα προκαλέσουν δυσλειτουργία του εργαλείου.
- Το λάδι υπό πίεση μπορεί να προκαλέσει βαρύτατο τραυματισμό.
- Πριν τη χρήση, επιθεωρήστε τους υδραυλικούς εύκαμπτους σωλήνες για ζημιές. Όλες οι υδραυλικές συνδέσεις πρέπει να είναι καθαρές, πλήρως συνδεδεμένες και συσφιγμένες πριν τη λειτουργία. Μη ρίχνετε βαριά αντικείμενα πάνω στους εύκαμπτους σωλήνες. Ένα δυνατό χτύπημα μπορεί να προκαλέσει εσωτερικές ζημιές και να οδηγήσει σε πρόωρη αστοχία του εύκαμπτου σωλήνα.
- ΜΗΝ τραβάτε ή μετακινείτε τη μονάδα πολλαπλασιαστή πίεσης χρησιμοποιώντας τους εύκαμπτους σωλήνες. Πάντα χρησιμοποιείτε τη λαβή της μονάδας.
- Χρησιμοποιείτε μόνο καθαρό λάδι και επίσης καθαρό εξοπλισμό πλήρωσης.
- Επιτρέπεται να χρησιμοποιούνται μόνο τα συνιστώμενα υδραυλικά υγρά.
- Η μέγιστη θερμοκρασία του υδραυλικού υγρού στην είσοδο είναι 100 °C (212 °F).

⚠ ΠΡΟΕΙΔΟΠΟΙΗΣΗ: Αν και λόγω κανονικής και σωστής χρήσης των ατράκτων είναι φυσιολογικό να εμφανίζονται μικρή φθορά και σημάδια, οι άτρακτοι πρέπει να εξετάζονται τακτικά για υπερβολική φθορά ή σημάδια, και να δίνεται ιδιαίτερη προσοχή στη διάμετρο της κεφαλής, στην περιοχή του κορμού όπου πιάνουν οι πίσω σιαγόνες και σε μεγάλο

βαθμού δημιουργία εσοχών στον κορμό και οποιαδήποτε παραμόρφωση της ατράκτου. Οι άτρακτοι που τυχόν υποστούν αστοχία κατά τη χρήση θα μπορούσαν να εκτιναχτούν με δύναμη από το εργαλείο. Αποτελεί ευθύνη του πελάτη να διασφαλίσετε ότι οι άτρακτοι αντικαθίστανται πριν προκύψουν υπερβολικά επίπεδα φθοράς και πάντα πριν τον μέγιστο συνιστώμενο αριθμό τοποθετήσεων στοιχείων στερέωσης. Επικοινωνήστε με τον τοπικό σας αντιπρόσωπο STANLEY Engineered Fastening που θα σας ενημερώσει σχετικά με αυτόν τον αριθμό μετρώντας το φορτίο διάνοιξης της εφαρμογής σας με το βαθμονομημένο μας εργαλείο μέτρησης.

Η πολιτική της STANLEY Engineered Fastening είναι πολιτική συνεχούς ανάπτυξης και βελτίωσης των προϊόντων και επιφυλασσόμαστε του δικαιώματος να αλλάζουμε τις προδιαγραφές οποιουδήποτε προϊόντος χωρίς προηγούμενη ειδοποίηση.

2. ΠΡΟΔΙΑΓΡΑΦΕΣ

2.1 ΠΡΟΔΙΑΓΡΑΦΗ ΓΙΑ ΕΡΓΑΛΕΙΟ 07536

Πίεση αέρα	Ελάχιστη - Μέγιστη	5-7 bar (70-100 lbf/in ²)
Απαιτούμενος Όγκος ελεύθερου αέρα	@ 5,1 bar /75 lbf/in ²	2,6 λίτρα (0,09 ft ³)
Διαδρομή	Ελάχιστη	25 mm (1 ίντσες)
Δύναμη έλξης	@ 5,5 bar /80 lbf/in ²	3,89 kN (875 lbf)
Χρόνος κύκλου λειτουργίας	Περίπου	1 δευτερόλεπτο
Βάρος	Πιστόλι	1,2 kg (2,64 lb)

2.2 ΠΡΟΔΙΑΓΡΑΦΗ ΓΙΑ 07531 ΠΟΛΛΑΠΛΑΣΙΑΣΤΗ ΠΙΕΣΗΣ

Πίεση αέρα	Ελάχιστη - Μέγιστη	5-7 bar (70-100 lbf/in ²)
Λόγος πολλαπλασιασμού		32:1

Τιμές θορύβου καθορισμένες σύμφωνα με το πρότυπο δοκιμών θορύβου ISO 15744 και ISO 3744.		07536
A-σταθμισμένη στάθμη ηχητικής ισχύος dB(A), L_{WA}	Αβεβαιότητα θορύβου: $k_{WA} = 2,3$ dB(A)	79,5 dB(A)
A-σταθμισμένη στάθμη ηχητικής πίεσης εκπομπής στον σταθμό εργασίας dB(A), L_{pA}	Αβεβαιότητα θορύβου: $k_{pA} = 2,3$ dB(A)	68,5 dB(A)
C-σταθμισμένη στάθμη ηχητικής πίεσης εκπομπής αιχμής dB(C), L_{pC} αιχμής	Αβεβαιότητα θορύβου: $k_{pC} = 2,5$ dB(C)	96,9 dB(C)
Τιμές κραδασμών προσδιορισμένες σύμφωνα με το πρότυπο δοκιμών κραδασμών ISO 20643 και ISO 5349.		07536
Στάθμη εκπομπής κραδασμών, a_{hd} :	Αβεβαιότητα κραδασμών: $k = 0,25$ m/s ²	0,97 m/s ²
Δηλωμένες τιμές εκπομπών κραδασμών σύμφωνα με το EN 12096		

3. ΠΡΟΒΛΕΠΟΜΕΝΗ ΧΡΗΣΗ

Το πνευματικό εργαλείο 07536 είναι ένα ελαφρύ εργαλείο χειρός που έχει σχεδιαστεί για την τοποθέτηση στοιχείων στερέωσης 1/16" Ανιγυ®, κάτι που το κάνει ιδανικό για συναρμολόγηση σε παρτίδες ή σε γραμμή παραγωγής σε μια μεγάλη ποικιλία εφαρμογών σε όλους τους βιομηχανικούς κλάδους.

Το εργαλείο χειρός και ο πολλαπλασιαστής έχουν δοκιμαστεί ως ξεχωριστά είδη και συνδυαστεί. Πρέπει να χρησιμοποιούνται μόνο μαζί και για κανένα άλλο σκοπό. Ανατρέξτε στην ενότητα "Θέση σε υπηρεσία" στη σελίδα 355-358 για λεπτομέρειες σχετικά με τη σύνδεση.

Παρουσιάζονται οι αριθμοί ανταλλακτικών για την παραγγελία ενός πλήρους εργαλείου αλλά χωρίς εξοπλισμό μύτης.

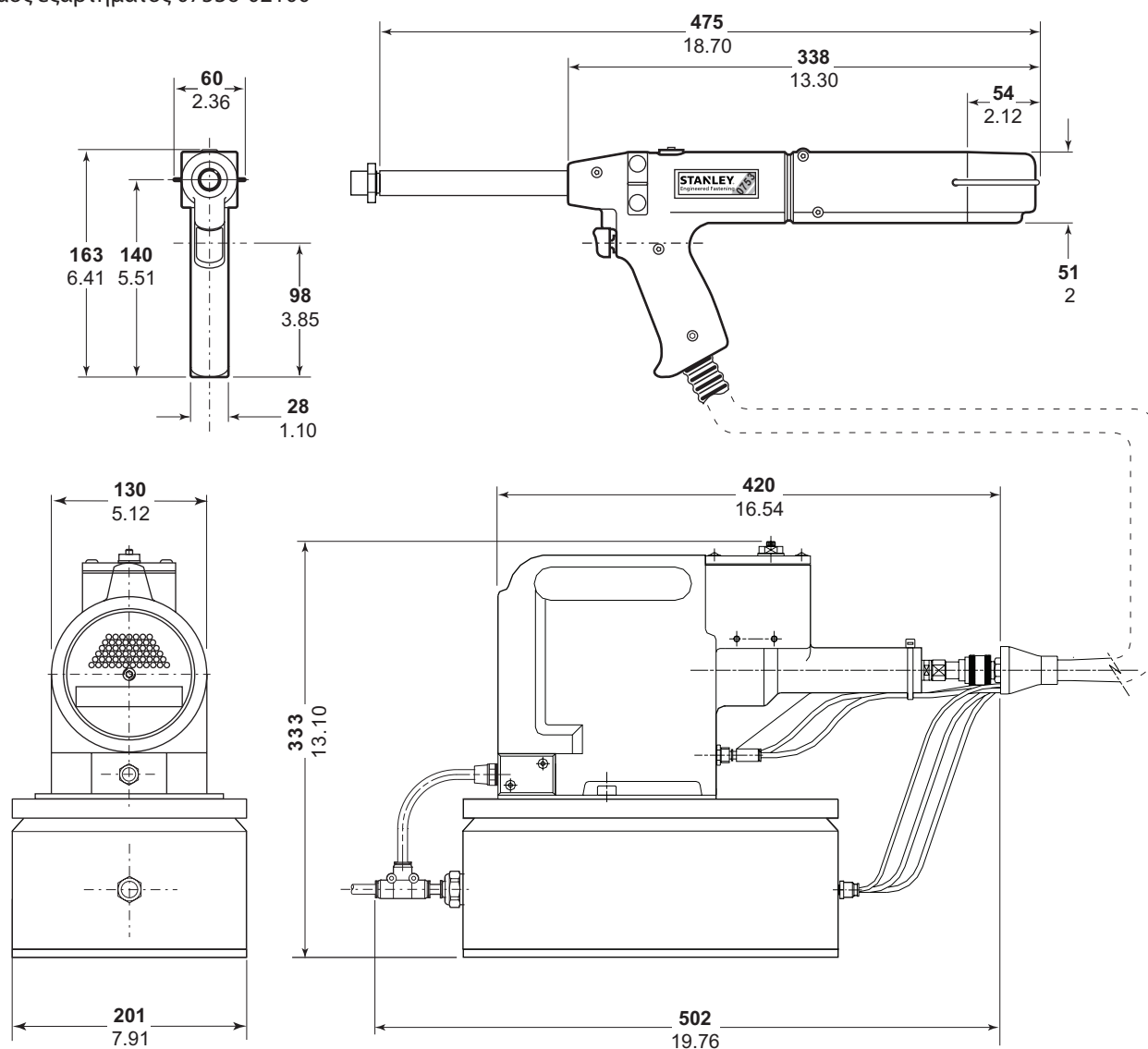
Ο αριθμός εργαλείου για το μοντέλο 07536 είναι 07536-02200.

Δείτε τα γενικά σχέδια συναρμολόγησης στις σελίδες 361-369.

ΜΗ χρησιμοποιείτε το εργαλείο υπό υγρές συνθήκες ή με την παρουσία εύφλεκτων υγρών ή αερίων.

3.1 ΔΙΑΣΤΑΣΕΙΣ ΕΡΓΑΛΕΙΟΥ - ΜΟΝΤΕΛΟ 07536

Αριθμός εξαρτήματος 07536-02100



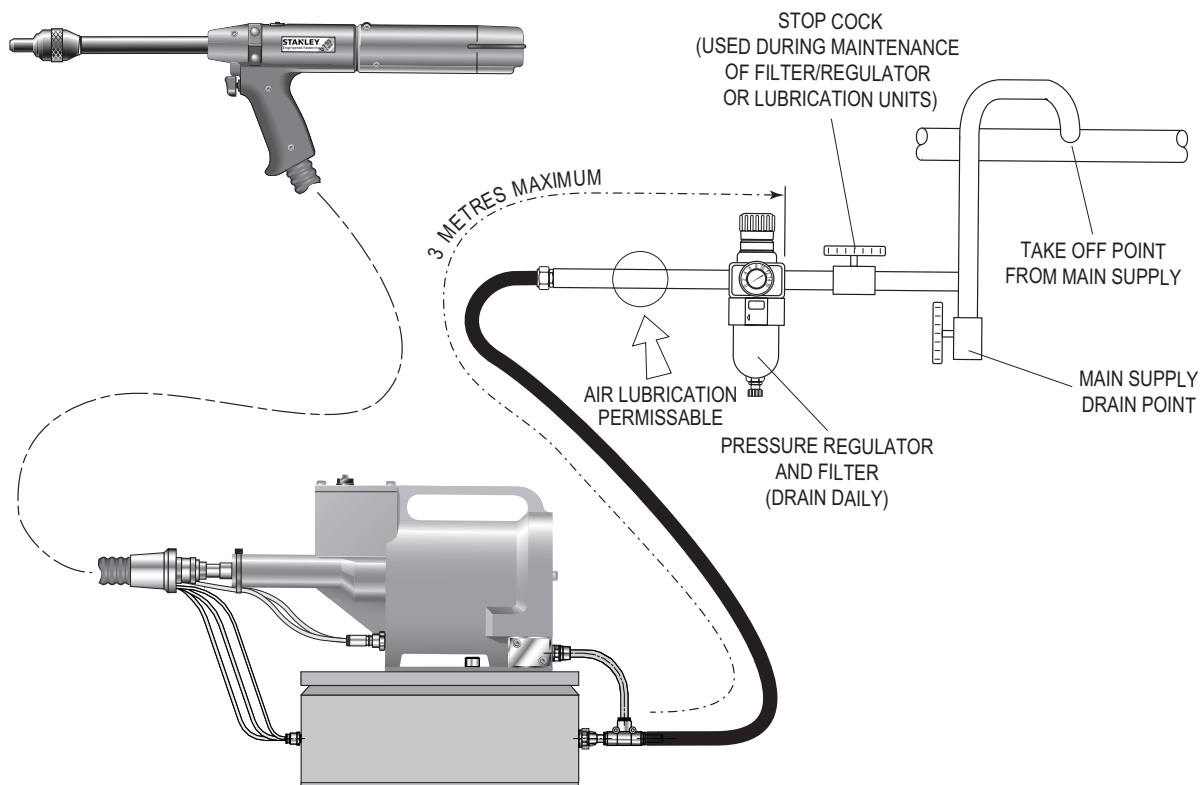
Διαστάσεις σε mm.

4. ΘΕΣΗ ΣΕ ΥΠΗΡΕΣΙΑ

4.1 ΠΑΡΟΧΗ ΑΕΡΑ

Όλα τα εργαλεία λειτουργούν με πεπιεσμένο αέρα σε βέλτιστο επίπεδο πίεσης 5,5 bar. Συνιστούμε να χρησιμοποιούνται στην κύρια παροχή αέρα ρυθμιστές πίεσης και συστήματα αυτόματης λίπανσης/ φιλτραρίσματος. Για να εξασφαλίζεται η μέγιστη διάρκεια ζωής και η ελάχιστη απαίτηση συντήρησης του εργαλείου, αυτά πρέπει να τοποθετούνται εντός 3 μέτρων από το εργαλείο (βλ. παρακάτω διάγραμμα).

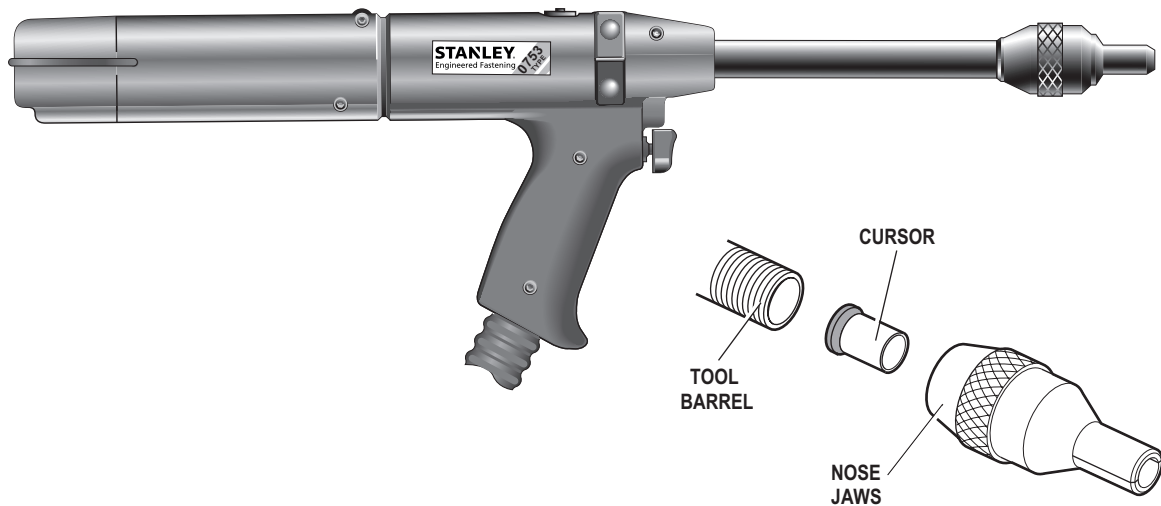
Οι εύκαμπτοι σωλήνες παροχής αέρα θα πρέπει να έχουν ελάχιστη ονομαστική ωφέλιμη πίεση λειτουργίας της τάξης του 150% της μέγιστης πίεσης που παράγεται στο σύστημα ή 10 bar, όποιο είναι μεγαλύτερο. Οι εύκαμπτοι σωλήνες αέρα θα πρέπει να είναι ανθεκτικοί σε λάδι, σε απόξεση εξωτερικά και να είναι θωρακισμένοι όπου οι συνθήκες λειτουργίας μπορεί να επιφέρουν ζημιές στους εύκαμπτους σωλήνες. Όλοι οι εύκαμπτοι σωλήνες παροχής αέρα ΠΡΕΠΕΙ να έχουν ελάχιστη εσωτερική διατομή 6,4 χιλιοστά ή 1/4 της ίντσας.



Ακολουθήστε τα παρακάτω βήματα όταν συνδέετε το εργαλείο στον πολλαπλασιαστή πίεσης και στην κύρια παροχή αέρα:

- Ωθήστε το άκρο του μεγάλου υδραυλικού εύκαμπτου σωλήνα από το εργαλείο μέσα στον ταχυσύνδεσμο που υπάρχει στο άκρο του πολλαπλασιαστή πίεσης.
- Στην πρόσοψη του πολλαπλασιαστή πίεσης (βλ. σελίδα 361):
 - Ωθήστε την μπλε γραμμή πεπιεσμένου αέρα (4 mm εξωτ. διάμ.) μέσα στον σύνδεσμο συστολής που βρίσκεται στον αριστερό σύνδεσμο της πλάκας.
 - Ωθήστε τη μαύρη γραμμή πεπιεσμένου αέρα (4 mm εξωτ. διάμ.) μέσα στο πλαστικό κολάρο του δεξιού συνδέσμου της πλάκας.
- Στην πρόσοψη του κουτιού ελέγχου (βλ. σελίδα 361):
 - Ωθήστε την ασημί γραμμή πεπιεσμένου αέρα (εξωτ. διάμ. 3 mm) μέσα στον σύνδεσμο συστολής με σήμανση "Cursor" (Δρομέας) στην πρόσοψη του κουτιού ελέγχου - αριστερή πλευρά.
 - Ωθήστε την πράσινη γραμμή πεπιεσμένου αέρα (εξωτ. διάμ. 4 mm) μέσα στον σύνδεσμο συστολής με σήμανση "Tail Jaws" (Σιαγόνες πίσω τμήματος) στην πρόσοψη του κουτιού ελέγχου - μέσον.
 - Ωθήστε τη λευκή γραμμή πεπιεσμένου αέρα (εξωτ. διάμ. 4 mm) μέσα στον σύνδεσμο συστολής με σήμανση "Signal" (Σήμα) στην πρόσοψη του κουτιού ελέγχου - δεξιά πλευρά.
- Συνδέστε έναν εύκαμπτο σωλήνα πεπιεσμένου αέρα ανάμεσα στον αρσενικό σύνδεσμο στο πίσω μέρος του πολλαπλασιαστή πίεσης και την κύρια παροχή αέρα.

4.2 ΔΡΟΜΕΙΣ ΑΕΡΑ



Επιλογή δρομέα αέρα

Ανατρέξτε στο ξεχωριστό δελτίο δεδομένων 07900-00863 για τα εξαρτήματα συγκροτήματος μύτης.

ΔΡΟΜΕΑΣ

ΣΗΜΑΝΤΙΚΟ

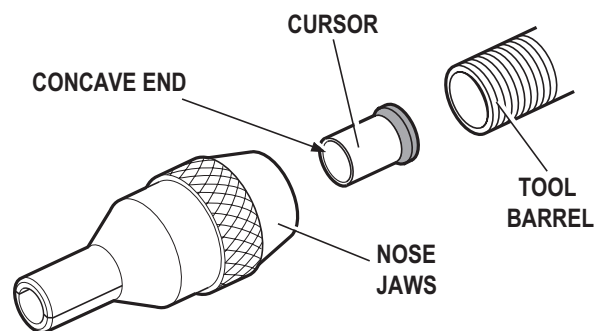
Αν έχει τοποθετηθεί λανθασμένα, ο δρομέας δεν θα επιτρέπει τη φόρτωση του εργαλείου και την τροφοδοσία των στοιχείων στερέωσης.

Αν και ο δρομέας θα έχει τοποθετηθεί με σωστό προσανατολισμό κατά την παράδοση του εργαλείου, συνιστούμε ωστόσο να ελέγξετε τον προσανατολισμό του πριν τοποθετήσετε τον εξοπλισμό μύτης. Το ελαφρά κυρτό άκρο του δρομέα θα πρέπει να είναι στραμμένο προς το μπροστινό μέρος του εργαλείου, όπως δείχνει η εικόνα.

Για να αντιστρέψετε τον προσανατολισμό του δρομέα, ακολουθήστε αυτά τα βήματα:

Πρέπει να είστε εξαιρετικά προσεκτικοί με τη διαδικασία που ακολουθεί. Πρέπει να προσέξετε να αποφεύγετε την κάννη και την προεξέχουσα άτρακτο.

- Αφαιρέστε το συγκρότημα μύτης αν υπάρχει.
- Εισάγετε μια κενή άτρακτο πλήρως μέσα στο εργαλείο.
- Κλείστε τις σιαγόνες πίσω τμήματος **32**, ενεργοποιώντας τον διακόπτη σιαγόνων πίσω τμήματος (στοιχεία **18** και **19**).
- Ο δρομέας θα πεταχτεί έξω από την κάννη μετά από μια μικρή καθυστέρηση.
- Ανοίξτε τις σιαγόνες πίσω τμήματος **32**, απενεργοποιώντας τον διακόπτη σιαγόνων πίσω τμήματος (στοιχεία **18** και **19**) και έτσι θα ελευθερωθεί η άτρακτος.
- Αφαιρέστε τον δρομέα από την άτρακτο και εισάγετε τον δρομέα στην κάννη.



4.3 ΦΟΡΤΩΣΗ ΚΑΙ ΕΠΑΝΑΦΟΡΤΩΣΗ ΤΟΥ ΕΡΓΑΛΕΙΟΥ

ΣΗΜΑΝΤΙΚΟ

Η διαδικασία φόρτωσης του εργαλείου και τοποθέτησης του εξοπλισμού μύτης στο εργαλείο είναι καίριας σημασίας.

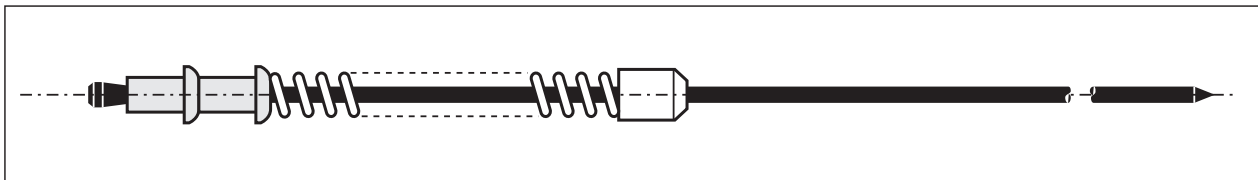
Όταν παραγγέλνετε ένα πλήρες εργαλείο ή σύστημα, κανονικά θα προμηθευτείτε όλο τον εξοπλισμό μύτης που απαιτείται για το στοιχείο στερέωσης που πρέπει να τοποθετείτε.

Αν σας έχουν παραδοθεί σιαγόνες μύτης, άτρακτοι και ελατήρια καθοδήγησης ατράκτου, προχωρήστε με τη φόρτωση του εργαλείου και την τοποθέτηση του εξοπλισμού μύτης όπως δείχνει η εικόνα που ακολουθεί.

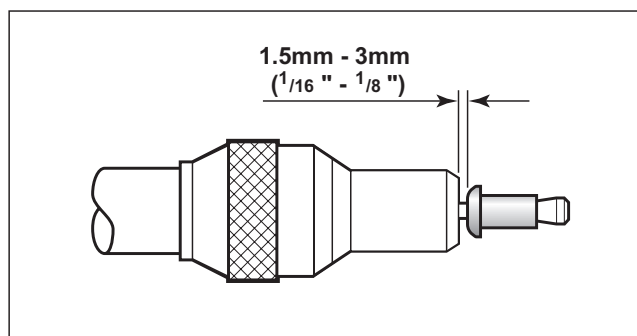
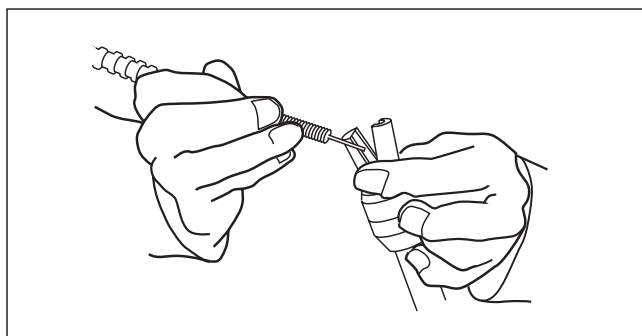
Οι αριθμοί στοιχείων σε **έντονη γραφή** αναφέρονται στο γενικό σχέδιο συναρμολόγησης και στη λίστα εξαρτημάτων για το εργαλείο 07536-02200 στις σελίδες 365-366.

Φόρτωση του εργαλείου

- Συνδέστε την παροχή αέρα στο εργαλείο.
- Ανοίξτε τις σιαγόνες πίσω τμήματος **32** που πιάνουν την άτρακτο, απενεργοποιώντας τον διακόπτη σιαγόνων πίσω τμήματος (στοιχεία **18** και **19**).
- Βιδώστε τις επιλεγμένες σιαγόνες μύτης πάνω στην κάννη **44** του εργαλείου.
- * Εισάγετε μια άτρακτο στο πίσω άκρο των στοιχείων στερέωσης μέσω του χάρτινου φορέα.
- Περάστε το ελατήριο καθοδήγησης ατράκτου πάνω στην άτρακτο εξασφαλίζοντας σωστό προσανατολισμό.



- Πιάνοντας το πίσω άκρο της ατράκτου, σχίστε τον χάρτινο φορέα γύρω από τα στοιχεία στερέωσης.
- Ανοίξτε τις σιαγόνες μύτης είτε περιστρέφοντας τον εξωτερικό δακτύλιο στις σιαγόνες λειτουργίας μέσω εκκέντρου είτε πιέζοντας προς τα έξω τα άκρα των σιαγόνων, όπως φαίνεται κάτω αριστερά.
- Εισάγετε την ήδη συναρμολογημένη άτρακτο, το ελατήριο καθοδήγησης ατράκτου και στοιχεία στερέωσης στις σιαγόνες μύτης έως ότου το πρώτο στοιχείο στερέωσης που θα τοποθετηθεί προεξέχει από τη σιαγόνα μύτης.
- Κλείστε τις σιαγόνες μύτης και προσαρμόστε έτσι ώστε το πρώτο στοιχείο στερέωσης να προεξέχει 1,5 mm - 3 mm ($1/16$ " έως $1/8$ "), όπως δείχνει η εικόνα κάτω δεξιά.
- Κλείστε τις σιαγόνες πίσω τμήματος **32** για να διασφαλίσετε ότι πιάνουν την άτρακτο, ενεργοποιώντας τον διακόπτη σιαγόνων πίσω τμήματος (στοιχεία **18** και **19**).



Επαναφόρτωση του εργαλείου

- Ανοίξτε τις σιαγόνες πίσω τμήματος **32** του εργαλείου, απενεργοποιώντας τον διακόπτη σιαγόνων πίσω τμήματος (στοιχεία **18** και **19**).
- Ανοίξτε τις σιαγόνες μύτης και τραβήξτε την κενή άτρακτο και το ελατήριο καθοδήγησης ατράκτου έξω από το εργαλείο.
- Επαναφορτώστε το εργαλείο ακολουθώντας τις παραπάνω οδηγίες, ξεκινώντας από το στάδιο *.

Ρύθμιση του εργαλείου - Μόνο ρυθμιζόμενα συγκροτήματα μύτης

Εισάγετε την προηγούμενα τοποθετημένη άτρακτο (βλ. Φόρτωση του εργαλείου *) ή την άτρακτο μίας χρήσης σε πλήρη επαφή με το στοπ μέσα στο συγκρότημα εμβόλου σιαγόνων πίσω τμήματος **60**.

Ενώ κρατάτε την άτρακτο, κλείστε τις σιαγόνες πίσω τμήματος **32** που πιάνουν την άτρακτο, ενεργοποιώντας τον διακόπτη σιαγόνων πίσω τμήματος (στοιχεία **18** και **19**).

Βιδώστε το παξιμάδι ασφάλισης πάνω στην κάννη **44** του εργαλείου.

Περιστρέψτε το συγκρότημα μύτης πάνω στην κάννη **44**.

Οι αριθμοί στοιχείων σε **έντονη γραφή** αναφέρονται στο γενικό σχέδιο συναρμολόγησης και στη λίστα εξαρτημάτων για το εργαλείο 07536-02200 στις σελίδες 365-366.

Προσαρμόστε το συγκρότημα μύτης έτσι ώστε το πρώτο στοιχείο στερέωσης να προεξέχει κατά 1,5 mm-3 mm ($1/16''$ - $1/8''$), όπως δείχνει η εικόνα στη σελίδα 357.

Σφίξτε το παξιμάδι ασφάλισης πάνω στο συγκρότημα μύτης για να αποτρέψετε τη μετακίνηση του συγκροτήματος σιαγόνων μύτης.

Επαναφόρτωση του εργαλείου

Ανοίξτε τις σιαγόνες πίσω τμήματος του εργαλείου, απενεργοποιώντας τον διακόπτη σιαγόνων πίσω τμήματος (**18-19**).

Ανοίξτε τις σιαγόνες και τραβήξτε την κενή άτρακτο και το ελατήριο καθοδήγησης έξω από το εργαλείο.

Εισάγετε την καινούργια άτρακτο σε επαφή με το στοπ μέσα στο εργαλείο, και κλείστε τις σιαγόνες πίσω τμήματος **32** που πιάνουν την άτρακτο, ενεργοποιώντας τον διακόπτη σιαγόνων πίσω τμήματος (**18** και **19**).

Κλείστε τις σιαγόνες πίσω τμήματος **32**.

4.4 ΛΕΙΤΟΥΡΓΙΚΗ ΔΙΑΔΙΚΑΣΙΑ

ΣΗΜΑΝΤΙΚΟ

Πρέπει να ελέγξετε ότι είναι σωστός ο προσανατολισμός του δρομέα και ο εξοπλισμός μύτης, πριν επιχειρήσετε να χρησιμοποιήσετε το εργαλείο.

- Ωθήστε το στοιχείο στερέωσης που προεξέχει από τις σιαγόνες μύτης ώστε να εισέλθει πλήρως στις οπές τις εφαρμογής διασφαλίζοντας ότι το εργαλείο διατηρείται σε κάθετη θέση.
- Πατήστε τη σκανδάλη χωρίς να την αφήσετε - το εργαλείο τραβά την κεφαλή της ατράκτου μέσα από το στοιχείο στερέωσης, διαμορφώνοντας το τελικό σχήμα του στοιχείου στερέωσης μέσα στην εφαρμογή.
- Αφαιρέστε το εργαλείο.
- Ελευθερώστε τη σκανδάλη. Το επόμενο στοιχείο στερέωσης θα παρουσιαστεί αυτόματα μέσα από τις σιαγόνες μύτης και θα είναι έτοιμο για τοποθέτηση.

5. ΣΕΡΒΙΣ ΤΟΥ ΕΡΓΑΛΕΙΟΥ

Θα πρέπει να διενεργείται τακτικό σέρβις και μια διεξοδική επιθεώρηση πρέπει να διεξάγεται κάθε χρόνο ή κάθε 500.000 κύκλους λειτουργίας, όποιο προκύψει πρώτο.

ΣΗΜΑΝΤΙΚΟ

- Ο εργοδότης είναι υπεύθυνος να διασφαλίσει ότι οι οδηγίες συντήρησης του εργαλείου παραδίδονται στο κατάλληλο προσωπικό.
- Ο χειριστής δεν θα πρέπει να εμπλέκεται στη συντήρηση ή επισκευή του εργαλείου εκτός αν έχει λάβει την κατάλληλη εκπαίδευση.

5.1 ΠΝΕΥΜΑΤΙΚΟ ΚΟΥΤΙ ΕΛΕΓΧΟΥ

ΣΗΜΑΝΤΙΚΟ

Σε καμία περίπτωση δεν πρέπει να ανοιχτεί το πνευματικό κουτί. Το κουτί είναι μια κλειστή μονάδα. Οι εσωτερικές ρυθμίσεις είναι προρρυθμισμένες και δεν πρέπει να τροποποιηθούν ή να αλλοιωθούν. Μόνο Εξουσιοδοτημένο προσωπικό της STANLEY Engineered Fastening επιτρέπεται να αποσυναρμολογήσει αυτό το κουτί ελέγχου.

▲ ΠΡΟΣΟΧΗ: Μη χρησιμοποιείτε ποτέ διαλύτες ή άλλα ισχυρά χημικά για τον καθαρισμό των μη μεταλλικών τμημάτων του εργαλείου. Αυτά τα χημικά μπορεί να αποδυναμώσουν τα υλικά που χρησιμοποιούνται σ' αυτά τα εξαρτήματα.

5.2 ΚΑΘΗΜΕΡΙΝΑ

- Κάθε μέρα, πριν τη χρήση ή πριν τη θέση του εργαλείου σε υπηρεσία. Προσθέστε λίγες σταγόνες καθαρού λαδιού λίπανσης στην είσοδο αέρα του πολλαπλασιαστή πίεσης, αν δεν έχει τοποθετηθεί λιπαντήρας στην παροχή αέρα. Αν το εργαλείο υποβάλλεται σε συνεχή χρήση, ο εύκαμπτος σωλήνας αέρα πρέπει να αποσυνδέεται από την κύρια παροχή αέρα και το εργαλείο να λιπαίνεται κάθε δύο έως τρεις ώρες.
- Ελέγξτε για διαρροές αέρα και λαδιού. Οι εύκαμπτοι σωλήνες και σύνδεσμοι που έχουν υποστεί ζημιά πρέπει να αντικατασταθούν.
- Αν δεν υπάρχει φίλτρο στο ρυθμιστή πίεσης, εξαερώστε τον αγωγό αέρα για να τον καθαρίσετε από συσσωρευμένες ακαθαρσίες ή νερό πριν συνδέσετε τον εύκαμπτο σωλήνα αέρα στον πολλαπλασιαστή πίεσης. Αν υπάρχει φίλτρο, αποστραγγίστε το.
- Ελέγξτε ότι ο εξοπλισμός μύτης είναι σωστός.
- Ελέγχετε τις ατράκτους τακτικά για ενδείξεις φθοράς ή ζημιάς παρακολουθώντας τον αριθμό τοποθετήσεων (διαβάστε τις οδηγίες ασφαλείας στη σελίδα 350-352).

5.3 ΚΑΘΕ ΕΒΔΟΜΑΔΑ

- Διενεργήστε όλες τις διαδικασίες για "Κάθε μέρα" όπως περιγράφηκαν παραπάνω.
- Αφαιρέστε, επιθεωρήστε, καθαρίστε και γρασάρετε τις σιαγόνες πίσω τμήματος (ανατρέξτε στο τμήμα "Κύλινδρος σιαγόνων πίσω τμήματος" στην ενότητα "Συντήρηση", σελίδα 362).
- Ελέγξτε ότι η στάθμη λαδιού στο ρεζερβουάρ της μονάδας πολλαπλασιαστή πίεσης είναι περίπου 12 mm (1/2") κάτω από τη διαφανή πλάκα κάλυψης.

5.4 ΓΡΑΣΟ ΜΟΛΥΒΔΑΙΝΙΟΥ-ΛΙΘΙΟΥ EP 3753 - ΔΕΔΟΜΕΝΑ ΑΣΦΑΛΕΙΑΣ

Μπορείτε να παραγγείλετε γράσο μεμονωμένα, ο αριθμός εξαρτήματος αναφέρεται στο Kit σέρβις στη σελίδα 360.

Πρώτες Βοήθειες

ΔΕΡΜΑ:

Επειδή το γράσο είναι πλήρως ανθεκτικό σε νερό, η αφαίρεσή του γίνεται καλύτερα με ένα εγκεκριμένο γαλακτωματοποιητικό καθαριστικό δέρματος.

ΚΑΤΑΠΟΣΗ:

Βεβαιωθείτε ότι το επηρεαζόμενο άτομο θα πει 30 ml γάλα μαγνησίας, κατά προτίμηση αραιωμένο σε ένα φλιτζάνι γάλα.

ΜΑΤΙΑ:

Ερεθιστικό αλλά όχι επιβλαβές. Πλύνετε με νερό και ζητήστε ιατρική βοήθεια.

Φωτιά

ΣΗΜΕΙΟ ΑΝΑΦΛΕΞΗΣ: Πάνω από 220 °C.

Δεν ταξινομείται ως εύφλεκτο.

Κατάλληλα μέσα πυρόσβεσης: CO₂, Halon (διχλωροδιφθορομεθάνιο) ή ψεκάσμος νερού αν εφαρμοστεί από έμπειρο χειριστή.

Περιβάλλον

Συγκεντρώστε με απόξεση για αποτέφρωση ή τελική διάθεση σε εγκεκριμένη θέση.

Χειρισμός

Χρησιμοποιήστε κρέμα φραγμού ή γάντια ανθεκτικά σε λάδι.

Αποθήκευση

Μακριά από θερμότητα και οξειδωτικούς παράγοντες.

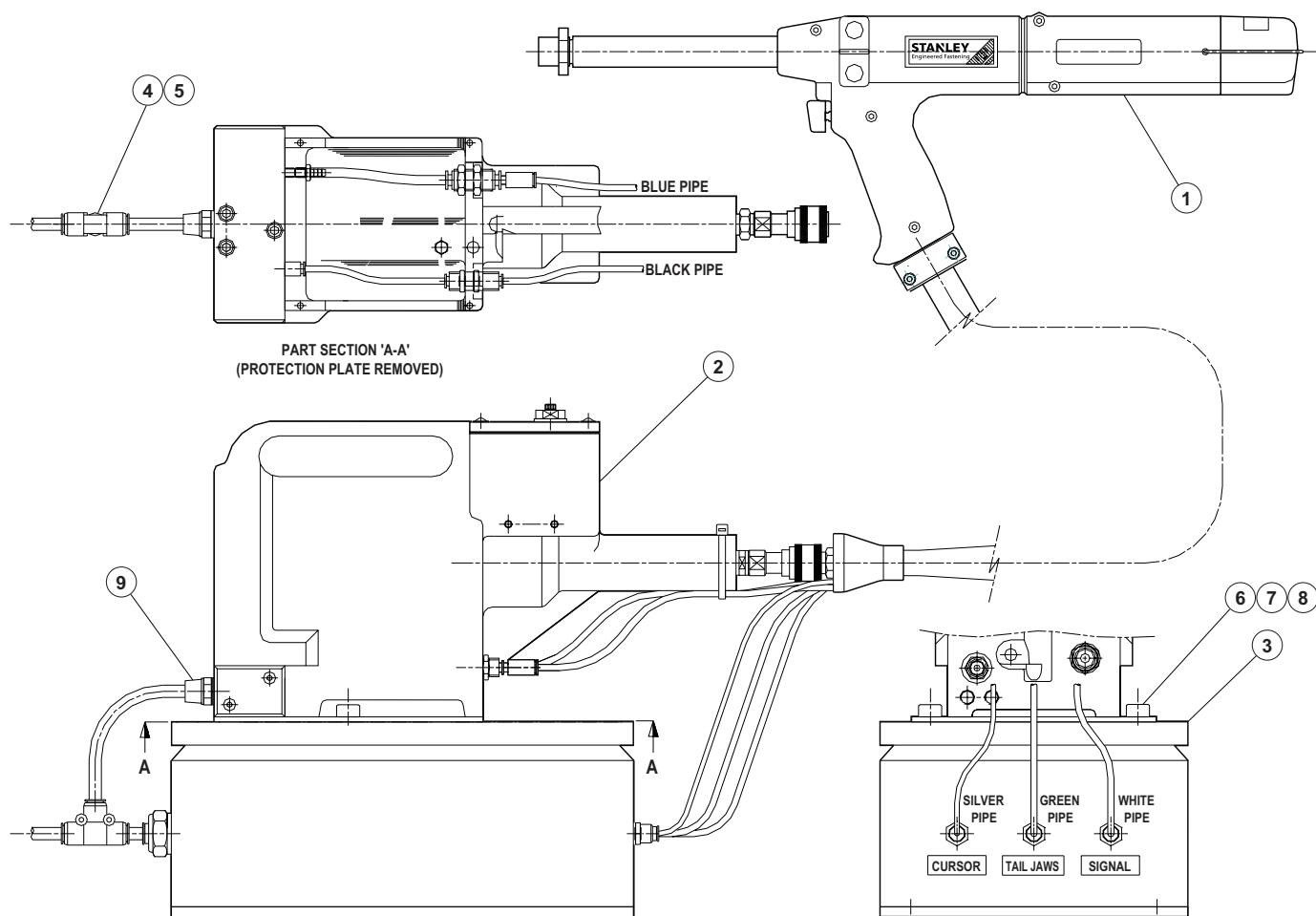
5.5 ΚΙΤ ΣΕΡΒΙΣ

Για όλες τις εργασίες σέρβις συνιστούμε τη χρήση του κιτ σέρβις (αριθμός ανταλλακτικού 07900-05300).

ΚΙΤ ΣΕΡΒΙΣ					
ΑΡΙΘ. ΑΝΤΑΛΛΑΚΤ.	ΠΕΡΙΓΡΑΦΗ	ΑΡ. ΠΟΣ.	ΑΡΙΘ. ΑΝΤΑΛΛΑΚΤ.	ΠΕΡΙΓΡΑΦΗ	ΑΡ. ΠΟΣ.
07900-00157	ΠΕΝΣΑ ΑΣΦΑΛΕΙΩΝ CIRCLIP	1	07900-00352	ΑΓΚΙΣΤΡΟ ΑΦΑΙΡΕΣΗΣ ΣΤΕΓΑΝΟΠΟΙΗΣΗΣ	1
07900-00006	ΣΠΑΤΟΥΛΑ	1	07900-00710	ΚΛΕΙΔΙ ΑΦΑΙΡΕΣΗΣ ΤΑΠΑΣ ΚΑΝΝΗΣ	1
07900-00446	ΕΞΟΛΚΕΑΣ	1	07900-00725	ΕΡΓΑΛΕΙΟ ΣΥΝΑΡΜΟΛΟΓΗΣΗΣ	1
07900-00603	ΣΙΑΓΟΝΕΣ ΜΕΓΓΕΝΗΣ ΚΑΝΝΗΣ	1	07900-00243	ΚΑΤΣΑΒΙΔΙ	1
07900-00520	ΡΑΒΔΟΣ 3/8"	1	07900-00717	ΚΛΕΙΔΙ ΠΟΛΛΑΠΛΑΣΙΑΣΤΗ ΠΙΕΣΗΣ	1
07900-00521	ΡΑΒΔΟΣ 1/4"	1	07900-00013	ΚΛΕΙΔΙ ΑΛΕΝ 1/8"	1
07900-00602	ΕΡΓΑΛΕΙΟ ΤΟΠΟΘΕΤΗΣΗΣ ΔΑΚΤΥΛΙΩΝ ΚΥΚΛΙΚΗΣ ΔΙΑΤΟΜΗΣ	1	07900-00617	ΣΥΣΚΕΥΑΣΙΑ 50 ml LOCTITE® MULTI- GASKET 574	1
07900-00595	ΚΛΕΙΔΙ 18 mm	1	07900-00469	ΚΛΕΙΔΙ ΑΛΕΝ 2,5 mm	1
07900-00434	ΚΛΕΙΔΙ 32 mm	1	07900-00351	ΚΛΕΙΔΙ ΑΛΕΝ 3 mm	1
07900-00237	ΚΛΕΙΔΙ 3/8" × 5/16"	1	07900-00224	ΚΛΕΙΔΙ ΑΛΕΝ 4 mm	1
07900-00012	ΚΛΕΙΔΙ 9/16" × 5/8"	1	07900-00225	ΚΛΕΙΔΙ ΑΛΕΝ 5 mm	1
07900-00008	ΚΛΕΙΔΙ 7/16" × 1/2"	1	07992-00020	ΚΟΥΤΙ 80 g ΓΡΑΣΟ ΜΟΛΥΒΔΑΙΝΙΟΥ- ΛΙΘΙΟΥ EP 3753	1

Σημείωση: Τα μεγέθη κλειδιών μετρώνται ως απόσταση απέναντι πλευρών, εκτός αν αναφέρεται κάτι διαφορετικό.

5.6 ΣΥΓΚΡΟΤΗΜΑ ΕΡΓΑΛΕΙΟΥ ΔΡΟΜΕΑ ΑΕΡΑ, ΠΟΛΛΑΠΛΑΣΙΑΣΤΗ ΠΙΕΣΗΣ & ΚΟΥΤΙΟΥ ΕΛΕΓΧΟΥ 07536-02100



ΣΤΟΙΧΕΙΟ	ΑΡ. ΕΞΑΡΤ.	ΠΕΡΙΓΡΑΦΗ	ΑΡ. ΠΟΣ.
1	07536-02200	ΕΡΓΑΛΕΙΟΥ ΧΕΙΡΟΣ ΔΡΟΜΕΑ ΑΕΡΑ	1
2	07531-02200	ΠΟΛΛΑΠΛΑΣΙΑΣΤΗΣ ΠΙΕΣΗΣ ΕΡΓΑΛΕΙΟΥ	1
3	07007-02024	ΚΟΥΤΙ ΕΛΕΓΧΟΥ ΔΡΟΜΕΑ ΑΕΡΑ	1
4	07005-10071	ΣΥΝΔΕΣΜΟΣ T	1
5	07005-10072	ΣΩΛΗΝΩΣΗ 8 MM (2,50 m)	1
6	74405-12080	ΤΡΟΠΟΠΟΙΗΜΕΝΟ M8 NUTSERT ΕΝΘΕΤΟ ΜΕ ΕΣΩΤΕΡΙΚΟ ΣΠΕΙΡΩΜΑ	8
7	07001-00469	ΒΙΔΑ M8 x 15 ΚΥΛΙΝΔΡΙΚΗΣ ΚΕΦΑΛΗΣ ΑΛΕΝ	2
8	07002-00105	ΡΟΔΕΛΑ M8	4
9	07005-01573	ΑΡΣΕΝΙΚΟΣ ΣΥΝΔΕΣΜΟΣ ΣΩΛΗΝΑ 8 MM	1
10	07005-01977	ΣΥΣΤΟΛΗ ΑΡΣΕΝΙΚΟ/ ΘΗΛΥΚΟ 6 MM /4 MM	1

6. ΣΥΝΤΗΡΗΣΗ

Κάθε 500.000 κύκλους χρήσης το εργαλείο θα πρέπει να αποσυναρμολογείται τελείως και να χρησιμοποιούνται νέα εξαρτήματα για όποια είναι φθαρμένα, έχουν υποστεί ζημιά ή όταν συνιστάται. Όλοι οι δακτύλιοι κυκλικής διατομής και οι στεγανοποιήσεις θα πρέπει να αντικαθίστανται και να λιπαίνονται με γράσο μολυβδαινίου-λιθίου EP 3753 πριν την τοποθέτηση.

ΣΗΜΑΝΤΙΚΟ

Οι οδηγίες ασφαλείας βρίσκονται στη σελίδα 4.

Ο εργοδότης είναι υπεύθυνος να διασφαλίσει ότι οι οδηγίες συντήρησης του εργαλείου παραδίδονται στο κατάλληλο προσωπικό.

Ο χειριστής δεν θα πρέπει να εμπλέκεται στη συντήρηση ή επισκευή του εργαλείου εκτός αν έχει λάβει την κατάλληλη εκπαίδευση.

Ο αγωγός παροχής αέρα πρέπει να αποσυνδέεται πριν από οποιαδήποτε εργασία σέρβις ή αποσυναρμολόγησης, εκτός αν υπάρχει διαφορετική ρητή οδηγία.

Συνιστάται οποιαδήποτε εργασία αποσυναρμολόγησης να πραγματοποιείται σε καθαρές συνθήκες.

Πριν αποσυναρμολογήσετε το εργαλείο, θα χρειαστεί να αφαιρέσετε τον εξοπλισμό μύτης.

Για το γενικό σέρβις του εργαλείου συνιστούμε να προχωρήσετε στην αποσυναρμολόγηση των επί μέρους συγκροτημάτων με τη σειρά που φαίνεται παρακάτω αφού αποσυνδέσετε τον υδραυλικό εύκαμπτο σωλήνα από τη μονάδα πολλαπλασιαστή πίεσης, τις γραμμές αέρα από τον πολλαπλασιαστή πίεσης και το κουτί ελέγχου, διαχωρίζοντας έτσι τη μονάδα πιστολιού από τη μονάδα πολλαπλασιαστή πίεσης.

Οι δυνητικά επικίνδυνες ουσίες που θα μπορούσαν να έχουν αποθεθεί πάνω στο μηχάνημα ως αποτέλεσμα των διαδικασιών εργασίας πρέπει να απομακρυνθούν πριν τη συντήρηση.

6.1 ΑΠΟΣΥΝΑΡΜΟΛΟΓΗΣΗ 07536-02200

ΚΥΛΙΝΔΡΟΣ ΣΙΑΓΟΝΩΝ ΠΙΣΩ ΤΜΗΜΑΤΟΣ

- Γυρίστε χειροκίνητα το κλιπ συγκράτησης **53** προς τα πάνω και αφαιρέστε το κάλυμμα άκρου **59**.
- Χρησιμοποιώντας ένα κλειδί Άλεν*, αφαιρέστε μία βίδα κυλινδρικής κεφαλής **6** διασφαλίζοντας ότι εκτονώνεται τυχόν παγιδευμένος αέρας στον κύλινδρο σιαγόνων πίσω τμήματος. Αφαιρέστε τη δεύτερη βίδα κυλινδρικής κεφαλής **6**.
- Τραβήξτε έξω την πίσω τάπα **50**. **Σημείωση:** Για υποβοήθηση στην εξαγωγή υπάρχει ένα σπείρωμα 5 mm στην πίσω όψη της τάπας.
- Αφαιρέστε τα εξαρτήματα αέρα σιαγόνων πίσω τμήματος, που αποτελούνται από το συγκρότημα εμβόλου σιαγόνων πίσω τμήματος **60**, στοπ **52**, δακτύλιο κυκλικής διατομής **12** και σιαγόνες **32**.
- Αφαιρέστε τα υπόλοιπα εξαρτήματα, που αποτελούνται από το ελατήριο 36 και το περίβλημα σιαγόνων **42**.
- Το ελεύθερο μήκος του ελατηρίου **36** θα πρέπει να είναι 38,1 mm (1,5"). Αντικαταστήστε αν χρειάζεται.
- Αφαιρέστε τον δακτύλιο κυκλικής διατομής στεγανοποίησης συγκροτήματος εμβόλου **11**.
- Αποσυνδέστε τον σωλήνα αέρα τύπου ακορντεόν του δρομέα (πράσινος) **49** από τον γωνιακό σύνδεσμο **22**.
- Αποσυνδέστε τον σωλήνα αέρα τύπου ακορντεόν του δρομέα (ασημί) **38** από τον γωνιακό σύνδεσμο εύκαμπτου σωλήνα **30**.
- Χρησιμοποιώντας ένα κλειδί Άλεν*, αφαιρέστε και τις πέντε βίδες στερέωσης των μορφοποιημένων ενθέτων λαβής **3, 4** και τα τέσσερα παξιμάδια **8** από τη λαβή του εργαλείου.
- Συγκρατήστε την κάννη **44** σε μια μέγγενη χρησιμοποιώντας μαλακές σιαγόνες* για την αποφυγή ζημιάς.
- Χρησιμοποιώντας ένα σωληνωτό κλειδί*, ξεβιδώστε την τάπα κάννης **46**, εμποδίζοντας την περιστροφή της κάννης **44** με χρήση ενός γερμανικού κλειδιού*.
- Τραβήξτε τον κύλινδρο σιαγόνων πίσω τμήματος **47** από το εργαλείο.
- Αφαιρέστε τον δακτύλιο κυκλικής διατομής **14**, τη λωρίδα τριβής **41** και το ελατήριο επαναφοράς κάννης **37**.

* Ανατρέξτε στα στοιχεία που συμπεριλαμβάνονται στο κιτ σέρβις του 0753 MkII. Για πλήρη λίστα βλ. σελίδα 360.

Οι αριθμοί στοιχείων σε **έντονη γραφή** αναφέρονται στο γενικό σχέδιο συναρμολόγησης και στη λίστα εξαρτημάτων στις σελίδες 365-366.

- Αλείψτε τη μετωπική επιφάνεια των σιαγόνων πίσω τμήματος **32** με γράσο μολυβδαινίου-λιθίου, σε επαφή με το περίβλημα σιαγόνων **42**, πριν τη συναρμολόγηση.
- Συναρμολογήστε με αντίστροφη σειρά από της αποσυναρμολόγησης.

ΥΔΡΑΥΛΙΚΟ ΕΜΒΟΛΟ

- Αφαιρέστε τον κύλινδρο σιαγόνων πίσω τμήματος **47** όπως περιγράφηκε προηγουμένως.
- Συγκρατήστε τον κορμό **45** σε μια μέγγενη χρησιμοποιώντας μαλακές σιαγόνες* για την αποφυγή ζημιάς και ξεβιδώστε τον περιοριστή διαδρομής **40**.
- Χρησιμοποιώντας ένα κλειδί Άλεν*, λασκάρετε τη βίδα **5** που συσφίγγει το μπλοκ διακόπτη **54** στην κάννη **44**.
- Κρατήστε το εργαλείο σταθερά και τραβήξτε την κάννη **44** από τον κορμό **45** (μια μικρή ποσότητα υδραυλικού λαδιού θα εξαχθεί από το εσωτερικό του συγκροτήματος κεφαλής).
- Αφαιρέστε προσεκτικά το έμβολο **39** ώστε να μην υποστεί ζημιά το άνοιγμα υποδοχής της κεφαλής.
- Αφαιρέστε τη στεγανοποίηση **16**.
- Η στεγανοποίηση **17** είναι δύσκολο να αφαιρεθεί χωρίς να υποστεί ζημιά, αλλά μπορεί να παραμείνει στη θέση της κατά τον καθαρισμό (εφόσον δεν επηρεαστεί από τη διαδικασία καθαρισμού). Αν ωστόσο η στεγανοποίηση **17** χρειάζεται αντικατάσταση, προχωρήστε ως εξής:
- Χρησιμοποιώντας σπάτουλα*, αφαιρέστε με δράση μοχλού τη στεγανοποίηση **17** από τον κορμό **45**, προσέχοντας να μην προξενήσετε ζημιά στην κοιλότητα και στα ανοίγματα υποδοχής στον κορμό. Η στεγανοποίηση **17** που αφαιρέθηκε ΠΡΕΠΕΙ να πεταχτεί.
- Για να αντικαταστήσετε τη στεγανοποίηση **17**, ξεβιδώστε το συγκρότημα τάπας εξαέρωσης **43** έως ότου η εσωτερική μετωπική επιφάνεια είναι στο ίδιο επίπεδο με το εσωτερικό άνοιγμα υποδοχής του κορμού **45**. Με αυτόν τον τρόπο θα δημιουργηθεί μια ομαλή δίοδος για την εισαγωγή μιας καινούργιας στεγανοποίησης **17** μέσα από το πίσω μέρος του κορμού **45**.
- Βεβαιωθείτε ότι η στεγανοποίηση **17** είναι καλά γρασαρισμένη και σωστά προσανατολισμένη με το ανοικτό άκρο της στεγανοποίησης στραμμένο προς τις πίσω σιαγόνες πίσω άκρου.
- Ολοκληρώστε τη συναρμολόγηση με αντίστροφη σειρά από της αποσυναρμολόγησης.

ΣΥΓΚΡΟΤΗΜΑ ΣΚΑΝΔΑΛΗΣ

- Για αποσυναρμολόγηση/ σέρβις του συγκροτήματος, αφαιρέστε τα καλύμματα από το εργαλείο όπως περιγράφηκε πιο πάνω.
- Αποσυνδέστε όλους τους εύκαμπτους σωλήνες αέρα από το συγκρότημα, προσέχοντας να μην τους προξενήσετε ζημιά. Αφαιρέστε το συγκρότημα.
- Χρησιμοποιώντας ένα κλειδί*, ξεβιδώστε το εξάρτημα συγκράτησης **34** και αφαιρέστε το. Προσέξτε να κρατήσετε το ελατήριο **31**.
- Ανασηκώστε με δράση μοχλού και αφαιρέστε τον δακτύλιο κυκλικής διατομής **10** προσέχοντας να μην προξενήσετε ζημιά στις επιφάνειες έδρασης της ατράκτου 35 και του εξαρτήματος συγκράτησης **34**.
- Καθαρίστε και επανασυναρμολογήστε χρησιμοποιώντας έναν δακτύλιο κυκλικής διατομής **10**.
- Ελέγξτε το μήκος του ελατηρίου **31** το οποίο πρέπει να είναι 12,7 mm (0,5") ελεύθερο μήκος – αντικαταστήστε το αν χρειάζεται.
- Συναρμολογήστε με σειρά αντίστροφη από της αποσυναρμολόγησης.

ΒΑΛΒΙΔΑ ΕΝΕΡΓΟΠΟΙΗΣΗΣ/ ΑΠΕΝΕΡΓΟΠΟΙΗΣΗΣ ΣΙΑΓΟΝΩΝ ΠΙΣΩ ΤΜΗΜΑΤΟΣ

- Η μονάδα έχει σχεδιαστεί έτσι ώστε να έχει την ελάχιστη απαίτηση σέρβις κατά τη διάρκεια της ζωής του εργαλείου.
- Αν ωστόσο χρειαστεί να αποσυναρμολογήσετε τη βαλβίδα, προχωρήστε ως εξής:
- Αφαιρέστε το περίβλημα σκανδάλης **56** όπως περιγράφεται στην ενότητα "Υδραυλικό έμβολο".
- Χρησιμοποιώντας ένα κατσαβίδι*, αφαιρέστε προσεκτικά την επιχρωμιωμένη αστεροειδή ροδέλα ασφάλισης **18** από το εμβολοειδές βύσμα αέρα σιαγόνων πίσω τμήματος **55** και πετάξτε τη ροδέλα.

* Ανατρέξτε στα στοιχεία που συμπεριλαμβάνονται στο kit σέρβις του 0753 MkII. Για πλήρη λίστα βλ. σελίδα 360.

Οι αριθμοί στοιχείων σε **έντονη γραφή** αναφέρονται στο γενικό σχέδιο συναρμολόγησης και στη λίστα εξαρτημάτων στις σελίδες 365-366.

- Εξάγετε το εμβολοειδές βύσμα αέρα σιαγόνων πίσω τμήματος **55** από το μπλοκ διακόπτη **54**.
- Προσέχοντας να μην προξενήσετε ζημιά στο εμβολοειδές βύσμα αέρα σιαγόνων πίσω τμήματος **55**, αφαιρέστε τους δακτυλίους κυκλικής διατομής **12**.
- Καθαρίστε το εμβολοειδές βύσμα και επανατοποθετήστε καινούργιους δακτυλίους κυκλικής διατομής **12** χρησιμοποιώντας το εργαλείο συναρμολόγησης* και τοποθετήστε το μέσα στο μπλοκ διακόπτη **54**, προσέχοντας τον προσανατολισμό του.
- Τοποθετήστε καινούργια επιχρωμιωμένη αστεροειδή ροδέλα ασφάλισης **18** συσφίγγοντας σε μια μέγγενη με μαλακές σιαγόνες, για την αποτροπή ζημιάς. ΜΗ ΧΡΗΣΙΜΟΠΟΙΗΣΕΤΕ ΑΣΚΟΠΗ ΔΥΝΑΜΗ.
- Ολοκληρώστε τη συναρμολόγηση με αντίστροφη σειρά από της αποσυναρμολόγησης.

ΛΑΒΗ ΚΑΙ ΚΑΛΥΜΜΑ ΑΚΡΟΥ

- Καθαρίστε και επιθεωρήστε τα μορφοποιημένα ένθετα για ρωγμές ή άλλες ζημιές.

ΔΡΟΜΕΑΣ

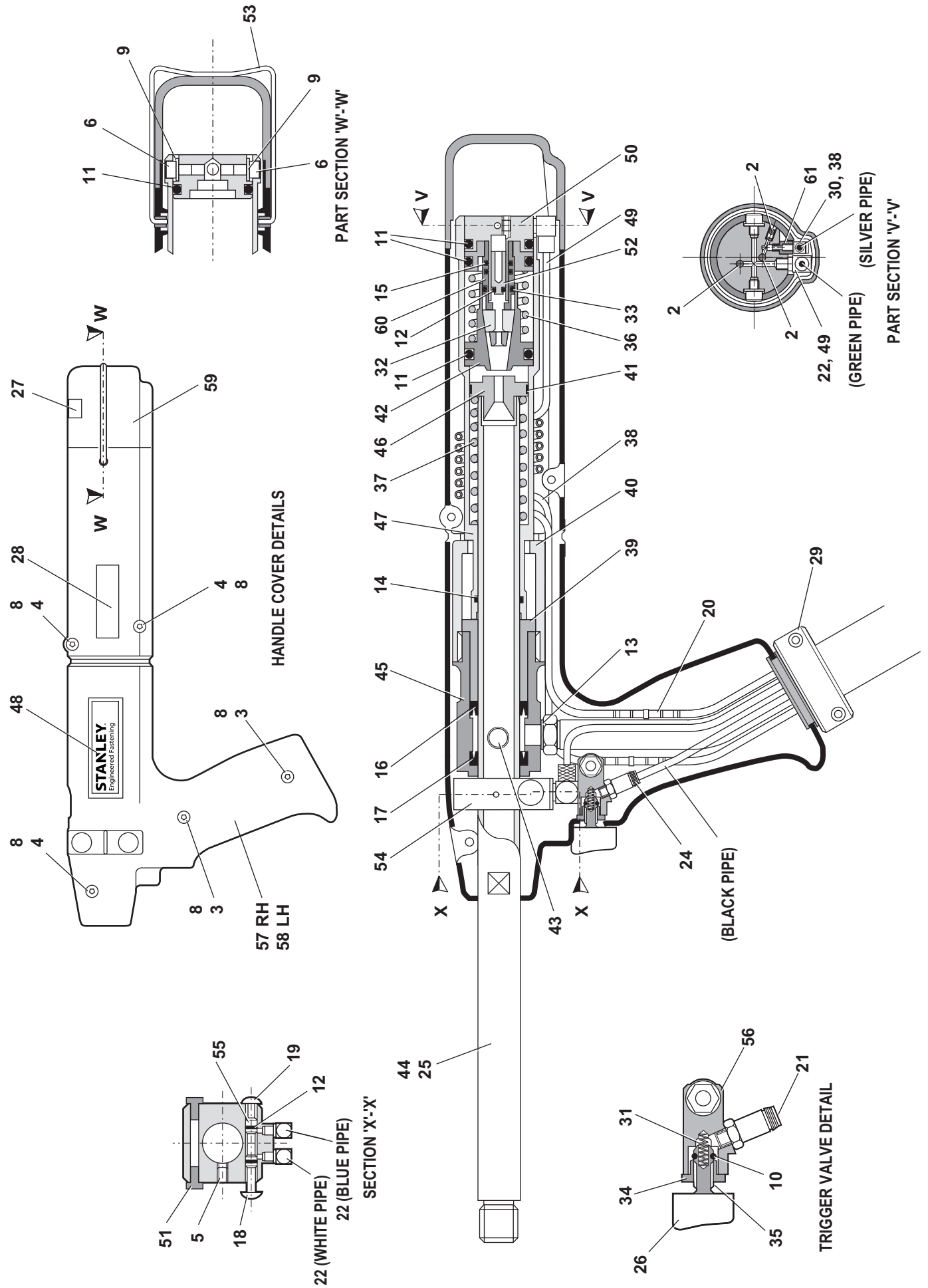
- Κατά διαστήματα καθαρίζετε και λιπαίνετε με λάδι το συγκρότημα δρομέα χρησιμοποιώντας μικρή ποσότητα λαδιού.

ΣΗΜΑΝΤΙΚΟ

**Ελέγξτε το εργαλείο σύμφωνα με το σέρβις για κάθε μέρα και κάθε εβδομάδα.
Η αρχική πλήρωση είναι ΠΑΝΤΑ απαραίτητη μετά την αποσυναρμολόγηση του εργαλείου και πριν τη χρήση του.**

* Ανατρέξτε στα στοιχεία που συμπεριλαμβάνονται στο κιτ σέρβις του 0753 MkII. Για πλήρη λίστα βλ. σελίδα 360.
Οι αριθμοί στοιχείων σε **έντονη γραφή** αναφέρονται στο γενικό σχέδιο συναρμολόγησης και στη λίστα εξαρτημάτων στις σελίδες 365-366.

6.2 ΓΕΝΙΚΟ ΣΧΕΔΙΟ ΣΥΝΑΡΜΟΛΟΓΗΣΗΣ ΤΟΥ ΒΑΣΙΚΟΥ ΕΡΓΑΛΕΙΟΥ 07536-02200



6.3 ΛΙΣΤΑ ΕΞΑΡΤΗΜΑΤΩΝ ΓΙΑ ΤΟ ΒΑΣΙΚΟ ΕΡΓΑΛΕΙΟ 07536-02200

ΛΙΣΤΑ ΕΞΑΡΤΗΜΑΤΩΝ 07536-02200									
ΣΤΟΙΧΕΙΟ	ΑΡ. ΕΞΑΡΤ.	ΠΕΡΙΓΡΑΦΗ	ΠΟΣ. ΕΦΕΔΡΙΚΑ	ΣΤΟΙΧΕΙΟ	ΑΡ. ΕΞΑΡΤ.	ΠΕΡΙΓΡΑΦΗ	ΠΟΣ. ΕΦΕΔΡΙΚΑ	ΠΟΣ. ΕΦΕΔΡΙΚΑ	
1	07007-00392	ΔΕΜΑΤΙΚΟ ΚΑΛΩΔΙΟΝ (ΔΕΝ ΠΑΡΟΥΣΙΑΖΕΤΑΙ)	1	34	07220-00803	ΕΞΑΡΤΗΜΑ ΣΥΓΚΡΑΤΗΣΗΣ	1	1	-
2	07001-00499	ΜΑΚΡΙΑ ΒΙΔΑ Μ3 x 5 ΚΕΦΑΛΗ ΑΛΕΝ	3	35	07241-00208	ΑΤΡΑΚΤΟΣ	1	1	-
3	07001-00262	ΜΑΚΡΙΑ ΒΙΔΑ Μ4 x 22 ΜΕ ΚΕΦΑΛΗ ΑΛΕΝ	1	36	07154-00404	ΕΛΑΤΗΡΙΟ	1	1	-
4	07001-00401	ΜΑΚΡΙΑ ΒΙΔΑ Μ4 x 10 ΜΕ ΚΕΦΑΛΗ ΑΛΕΝ	4	37	07490-03002	ΕΛΑΤΗΡΙΟ ΕΠΑΝΑΦΟΡΑΣ ΚΑΝΙΝΗΣ	1	1	-
5	07001-00404	ΜΑΚΡΙΑ ΒΙΔΑ Μ5 x 6 ΚΕΦΑΛΗ ΑΛΕΝ	1	38	07536-02211	ΣΩΛΗΝΑΣ ΑΕΡΑ 3 ΜΜ ΤΥΠΟΥ ΑΚΟΡΝΤΕΟΝ ΤΟΥ ΔΡΟΜΕΑ - ΑΣΗΜΙ	1	1	-
6	07001-00504	ΜΑΚΡΙΑ ΒΙΔΑ Μ4 x 6 ΜΕ ΚΕΦΑΛΗ ΑΛΕΝ	2	39	07536-00203	ΕΜΒΟΛΟ	1	1	-
7				40	07530-00204	ΠΕΡΙΟΡΙΣΤΗΣ ΔΙΑΔΡΟΜΗΣ	1	1	-
8	07002-00134	ΕΞΑΓΩΓΙΚΟ ΠΑΞΙΜΑΔΙ Μ4	4	41	07530-00206	ΛΟΡΙΔΑ ΤΡΙΒΗΣ	1	1	1
9	07002-00153	ΡΟΔΕΛΑ Μ4 [ΠΛΑΣΤΙΚΗ]	2	42	07536-00208	ΠΕΡΙΒΛΗΜΑ ΣΙΑΓΟΝΩΝ	1	1	-
10	07003-00022	ΔΑΚΤΥΛΙΟΣ ΚΥΚΛΙΚΗΣ ΔΙΑΤΟΜΗΣ	1	43	07530-00500	ΣΥΓΚΡΟΤΗΜΑ ΤΑΠΑΣ ΕΞΑΕΡΩΣΗΣ ΣΤΟΙΧΕΙΑ 62 ΕΩΣ 65] ●	1	1	-
11	07003-00113	ΔΑΚΤΥΛΙΟΣ ΚΥΚΛΙΚΗΣ ΔΙΑΤΟΜΗΣ	3	44	07536-02201	ΚΑΝΝΗ	1	1	-
12	07003-00121	ΔΑΚΤΥΛΙΟΣ ΚΥΚΛΙΚΗΣ ΔΙΑΤΟΜΗΣ	3	45	07530-02202	ΚΟΡΜΟΣ	1	1	-
13	07003-00142	ΣΥΓΚΟΛΛΗΤΗ ΣΤΕΓΑΝΟΠΟΙΗΣΗ 1/8" BSP	1	46	07530-02205	ΤΑΠΑ ΚΑΝΝΗΣ	1	1	-
14	07003-00167	ΔΑΚΤΥΛΙΟΣ ΚΥΚΛΙΚΗΣ ΔΙΑΤΟΜΗΣ	1	47	07536-02207	ΚΥΛΙΝΔΡΟΣ ΣΙΑΓΟΝΩΝ ΠΙΣΩ ΤΜΗΜΑΤΟΣ	1	1	-
15	07003-00386	ΔΑΚΤΥΛΙΟΣ ΚΥΚΛΙΚΗΣ ΔΙΑΤΟΜΗΣ	2	48	07530-02210	ΕΤΙΚΕΤΑ	2	2	-
16	07003-00236	ΣΤΕΓΑΝΟΠΟΙΗΣΗ [ΔΥΝΑΜΙΚΗ]	1	49	07536-02212	ΣΩΛΗΝΑΣ ΑΕΡΑ 4 ΜΜ ΤΥΠΟΥ ΑΚΟΡΝΤΕΟΝ ΤΟΥ ΔΡΟΜΕΑ - ΠΡΑΣΙΝΟΣ	1	1	-
17	07003-00237	ΣΤΕΓΑΝΟΠΟΙΗΣΗ [ΣΤΑΤΙΚΗ]	1	50	07536-02213	ΠΙΣΩ ΤΑΠΑ	1	1	-
18	07004-00058	ΕΠΙΧΡΩΜΙΩΜΕΝΗ ΑΣΤΕΡΟΕΙΔΗΣ ΡΟΔΕΛΑ ΑΣΦΑΛΙΣΗΣ 1/8"	1	51	07530-00310	ΤΑΠΑ ΠΩΜΑΤΙΣΜΟΥ	2	2	-
19	07004-00059	ΜΑΥΡΗ ΑΣΤΕΡΟΕΙΔΗΣ ΡΟΔΕΛΑ ΑΣΦΑΛΙΣΗΣ 1/8"	1	52	07536-02214	ΣΤΟΠ	1	1	-
20	07005-10073	ΣΥΝΔΕΣΜΟΣ 3 ΜΜ	1	53	07530-02220	ΚΛΙΠ	1	1	-
21	07005-01357	ΣΥΝΔΕΣΜΟΣ ΤΥΠΟΥ ΚΟΛΑΡΟΥ	1	54	07530-02301	ΜΠΛΟΚ ΔΙΑΚΟΠΤΗ	1	1	-
22	07005-01571	ΓΩΝΙΑΚΟΣ ΣΥΝΔΕΣΜΟΣ	3	55	07530-02302	ΕΜΒΟΛΟΙΔΕΣ ΒΥΣΜΑ ΑΕΡΑ ΣΙΑΓΟΝΩΝ ΠΙΣΩ ΤΜΗΜΑΤΟΣ	1	1	-
23	07536-02216	ΠΑΞΙΜΑΔΙ ΑΣΦΑΛΙΣΗΣ	1	56	07530-02311	ΠΕΡΙΒΛΗΜΑ ΣΚΑΝΔΑΛΗΣ	1	1	-
24	07005-10074	ΣΥΝΔΕΣΜΟΣ 2 ΜΜ	1	57	07536-02601	ΣΥΓΚΡΟΤΗΜΑ ΜΟΡΦΟΠΟΙΗΜΕΝΩΝ ΕΝΘΕΤΩΝ ΛΑΒΗΣ, ΔΕΞΙΟΥ ΧΕΡΙΟΥ	1	1	-
25	07007-00017	ΚΑΠΑΚΙ ΠΡΟΣΤΑΣΙΑΣ ΑΠΟ ΣΚΟΝΗ	1	58	07536-02602	ΣΥΓΚΡΟΤΗΜΑ ΜΟΡΦΟΠΟΙΗΜΕΝΩΝ ΕΝΘΕΤΩΝ ΛΑΒΗΣ, ΑΡΙΣΤΕΡΟΥ ΧΕΡΙΟΥ	1	1	-
26	07007-00300	ΚΟΥΜΠΙ ΣΚΑΝΔΑΛΗΣ	1	59	07530-02603	ΑΚΡΑΙΟ ΚΑΛΥΜΜΑ	1	1	-
27	73200-02022	ΕΤΙΚΕΤΑ ΑΣΦΑΛΕΙΑΣ	1	60	07536-02800	ΣΥΓΚΡΟΤΗΜΑ ΕΜΒΟΛΟΥ ΣΙΑΓΟΝΩΝ ΠΙΣΩ ΤΜΗΜΑΤΟΣ	1	1	-
28	07007-01504	ΕΤΙΚΕΤΑ ΣΗΜΑΤΟΣ CE	1	61	07536-02215	ΠΡΟΣΑΡΜΟΓΕΑΣ ΕΞΑΡΤΗΜΑΤΟΣ ΣΥΝΔΕΣΗΣ	1	1	-
29	07008-00438	ΣΥΓΚΡΟΤΗΜΑ ΕΥΚΑΜΠΤΟΥ ΣΩΛΗΝΑ	1	62	07003-00142	● ΣΥΓΚΟΛΛΗΤΗ ΣΤΕΓΑΝΟΠΟΙΗΣΗ (ΔΕΝ ΠΑΡΟΥΣΙΑΖΕΤΑΙ)	1	1	1
30	07005-01323	Μ3 ΓΩΝΙΑΚΟΣ ΣΥΝΔΕΣΜΟΣ ΕΥΚΑΜΠΤΟΥ ΣΩΛΗΝΑ	1	63	07003-00194	● ΣΥΓΚΟΛΛΗΤΗ ΣΤΕΓΑΝΟΠΟΙΗΣΗ (ΔΕΝ ΠΑΡΟΥΣΙΑΖΕΤΑΙ)	1	1	1
31	07125-00215	ΕΛΑΤΗΡΙΟ	1	64	07001-00442	● ΒΙΔΑ (ΔΕΝ ΠΑΡΟΥΣΙΑΖΕΤΑΙ)	1	1	1
32	07151-00403	ΠΙΣΩ ΣΙΑΓΟΝΕΣ	1	65	07530-00501	● ΤΑΠΑ (ΔΕΝ ΠΑΡΟΥΣΙΑΖΕΤΑΙ)	1	1	-
33	07003-00016	ΔΑΚΤΥΛΙΟΣ ΚΥΚΛΙΚΗΣ ΔΙΑΤΟΜΗΣ	1						

6.4 ΟΔΗΓΙΕΣ ΑΠΟΣΥΝΑΡΜΟΛΟΓΗΣΗΣ

- Κατά την αποσυναρμολόγηση του συγκροτήματος πολλαπλασιαστή πίεσης, πρώτα αποσυνδέστε τον εύκαμπτο σωλήνα παροχής αέρα προς τον σύνδεσμο **22** της εισόδου του πολλαπλασιαστή πίεσης.
- Χρησιμοποιώντας ένα κλειδί Άλεν* ξεβιδώστε τις τέσσερις βίδες **27** και αφαιρέστε την προστατευτική πλάκα **24**.
- Αποσυνδέστε τον εύκαμπτο σωλήνα σκανδάλης **47** από τη βαλβίδα πολλαπλασιαστή πίεσης **43** ή **48** πιέζοντας το κολάρο εξόδου και αποσύροντας τον εύκαμπτο σωλήνα.
- Αφαιρέστε την πλάκα καλύμματος **4** και το στεγανοποιητικό **35** αφαιρώντας τις βίδες **37** και τις ροδέλες **36** με τη βοήθεια κλειδιού Άλεν*.
- Βεβαιωθείτε ότι το στεγανοποιητικό δεν έχει υποστεί ζημιά, για να διασφαλίσετε σωστή στεγανοποίηση στο συγκρότημα.
- Αντιστρέψτε το συγκρότημα πολλαπλασιαστή πίεσης και αποστραγγίστε το λάδι από το ρεζερβουάρ σε ένα κατάλληλο δοχείο.
- Αφαιρέστε τον ταχυσύνδεσμο **32** μαζί με τον σύνδεσμο **31** και τις στεγανοποιήσεις **33** χρησιμοποιώντας κατάλληλο κλειδί*.
- Αφαιρέστε τη βαλβίδα πολλαπλασιαστή πίεσης **43** ή **48** αφαιρώντας τις βίδες στερέωσης με ένα κατάλληλο κλειδί προσέχοντας να διατηρήσετε τον δακτύλιο κυκλικής διατομής **21** στη θέση του στον χυτό κορμό του πολλαπλασιαστή πίεσης.
- Αφαιρέστε τη βίδα **19** χρησιμοποιώντας ένα κατάλληλο κλειδί Άλεν* και αφαιρέστε το κάλυμμα σιγαστήρα **16**, τον σιγαστήρα αφρώδους υλικού **15**, τον αποστάτη **18** και την πλάκα συγκράτησης **20**.
- Τραβήξτε και αφαιρέστε τον πλαστικό σωλήνα 6 mm **41** από τους συνδέσμους υποπίεσης **42**.
- Από τη βάση του πολλαπλασιαστή πίεσης εισάγετε ένα κλειδί Άλεν 3 mm* μέσα από τις δύο οπές και ξεβιδώστε τους συνδέσμους υποπίεσης **42**. Σημείωση:
 - Πρέπει να δοθεί προσοχή επειδή οι σύνδεσμοι υποπίεσης είναι ασφαλισμένοι και σφραγισμένοι στη θέση τους με χρήση Loctite 574.
 - Αν είναι δύσκολο να αφαιρεθούν, μπορείτε να αφαιρέσετε τους συνδέσμους υποπίεσης με διάτρηση χρησιμοποιώντας ένα τρυπάνι διαμέτρου $\frac{3}{16}$ " ή 4,7 mm.
- Για να επανατοποθετήσετε τους συνδέσμους υποπίεσης **42**, πρέπει να ακολουθήσετε την εξής διαδικασία: -
 - Καλύψτε τους συνδέσμους υποπίεσης με κατάλληλο αστάρι, δηλ. Perma Bond A905
 - Τοποθετήστε μια σταγόνα Loctite® 574 στην οπή με σπείρωμα του πολλαπλασιαστή πίεσης.
 - Από τη βάση του πολλαπλασιαστή πίεσης εισάγετε το κλειδί Άλεν* μέσα από την οπή. Βεβαιωθείτε ότι το κλειδί Άλεν* είναι απαλλαγμένο από Loctite® 574 πριν το εισαγάγετε στον σύνδεσμο υποπίεσης.
 - Περιστρέψτε το κλειδί Άλεν ενώ εφαρμόζετε Loctite® 574 στη βάση του συνδέσμου υποπίεσης.
 - Βιδώστε τον σύνδεσμο υποπίεσης στον πολλαπλασιαστή πίεσης, διασφαλίζοντας ότι υπάρχει αρκετό Loctite® 574 στη βάση του εξαρτήματος σύνδεσης ώστε να μην είναι ορατό το σπείρωμα.
- Χρησιμοποιώντας ένα κατσαβίδι, αφαιρέστε προσεκτικά τον εσωτερικό δακτύλιο συγκράτησης **14**. Καθαρίστε και επιθεωρήστε την αυλάκωση για ενδείξεις ζημιάς.
- Χρησιμοποιώντας εξολκέα*, εισάγετε το άκρο με αρσενικό σπείρωμα στο κάλυμμα άκρου **12** και αποσύρετέ το μαζί με το χιτώνιο **28** και τους δακτυλίους κυκλικής διατομής **10** και **13** του πολλαπλασιαστή πίεσης.
- Εισάγετε τη ράβδο* μέσα από το άνοιγμα συνδέσμου στο μπροστινό μέρος του κορμού του πολλαπλασιαστή πίεσης και χτυπήστε προσεκτικά για να βγει η ράβδος εμβόλου **9** και το συγκρότημα εμβόλου.
- Χρησιμοποιώντας ένα κατάλληλο κλειδί Άλεν, ξεβιδώστε δύο βίδες **25** και αφαιρέστε το κάλυμμα άκρου **12** από το χιτώνιο **28** του πολλαπλασιαστή πίεσης.
- Αφαιρέστε την τάπα σφράγισης **7** με κλειδί*.
- Εισάγετε τη ράβδο* μέσα από το άνοιγμα συνδέσμου στο μπροστινό μέρος του κορμού του πολλαπλασιαστή πίεσης και σπρώξτε έξω το περίβλημα στεγανοποίησης **5** και τους σχετικούς δακτυλίους κυκλικής διατομής και στεγανοποιήσεις με χείλος.
- Αφαιρέστε το συγκρότημα περιβλήματος βαλβίδας **34** από τον κύριο κορμό χρησιμοποιώντας ένα κατάλληλο κλειδί*. Καθαρίστε φυσώντας από μέσα με έναν πίδακα αέρα χαμηλής πίεσης.

* Ανατρέξτε στα στοιχεία που συμπεριλαμβάνονται στο κιτ σέρβις του 0753 MkII. Για πλήρη λίστα βλ. σελίδα 360.

Οι αριθμοί στοιχείων σε **έντονη γραφή** αναφέρονται στην απέναντι εικόνα και λίστα εξαρτημάτων.

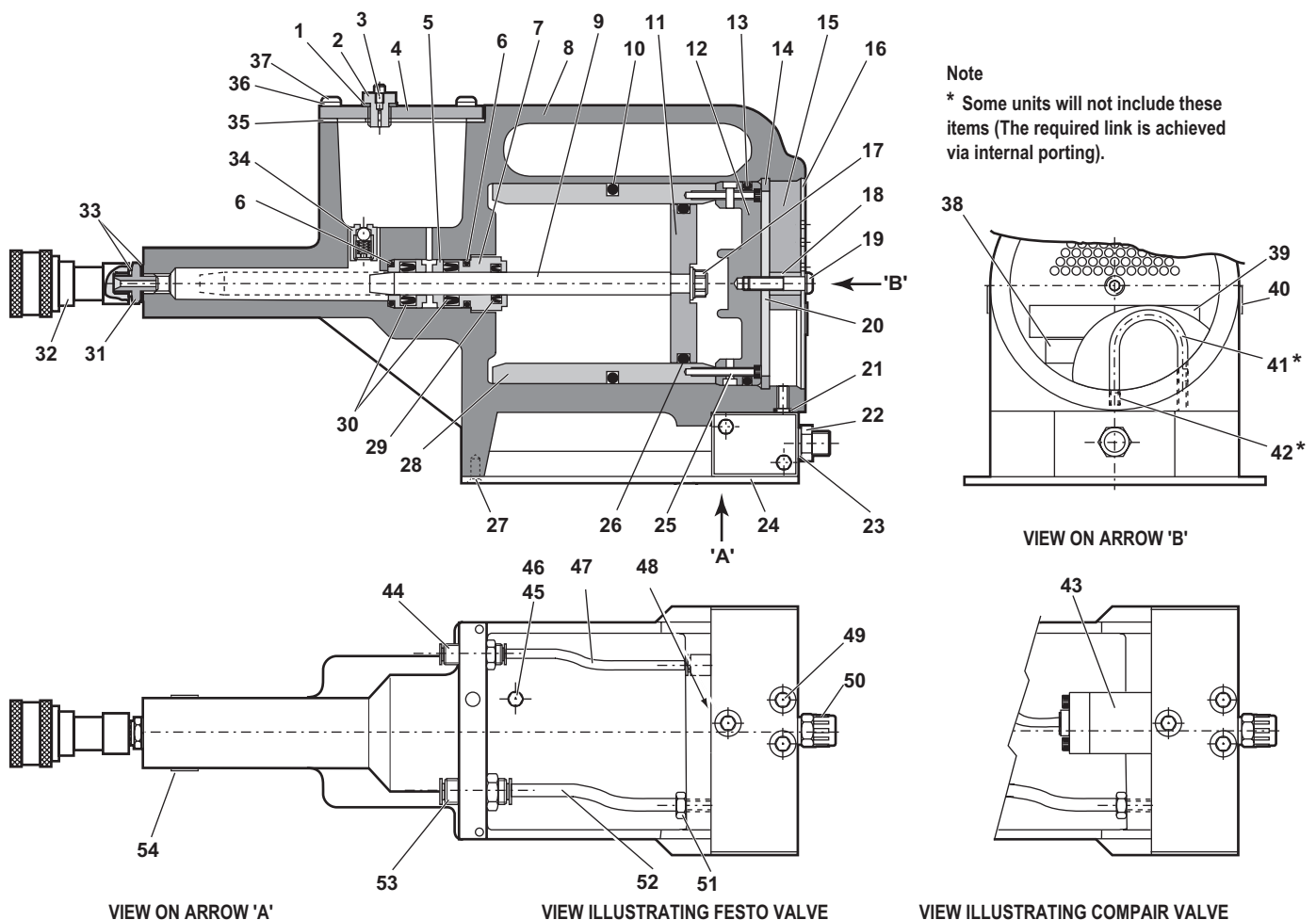
- Αφαιρέστε τη ράβδο εμβόλου **9** από το έμβολο αέρα **11** του πολλαπλασιαστή πίεσης πιάνοντας τα πρώτα 20 mm (3/4") της ράβδου σε μια μέγγενη με μαλακές σιαγόνες, προσέχοντας να μην προξενήσετε ζημιά στην επιφάνεια εργασίας και να μην τη σημαδέψετε.
- Ξεβιδώστε το παξιμάδι ασφάλισης **17** χρησιμοποιώντας ένα κατάλληλο κλειδί*.
- Συναρμολογήστε με σειρά αντίστροφη από της αποσυναρμολόγησης, προσέχοντας τα εξής:
- Καθαρίστε όλα τα εξαρτήματα και αντικαταστήστε όλους τους δακτυλίους κυκλικής διατομής.
- Λιπάνετε όλες τις στεγανοποιήσεις με γράσο μολυβδαινίου-λιθίου.
- Το συγκρότημα περιβλήματος βαλβίδας **34** πρέπει να επανατοποθετηθεί με χρήση μιας κόλλας ασφάλισης σπειρωμάτων.
- Συναρμολογήστε το συγκρότημα εμβόλου χρησιμοποιώντας ένα καινούργιο παξιμάδι **17**.
- Το κάλυμμα άκρου **12** πρέπει να τοποθετηθεί σωστά μέσα στον δακτύλιο συγκράτησης **14**. Το εργαλείο δεν πρέπει να χρησιμοποιηθεί αν δεν έχει τοποθετηθεί το κάλυμμα άκρου.

ΣΗΜΑΝΤΙΚΟ

Η αρχική πλήρωση είναι ΠΑΝΤΑ απαραίτητη μετά την αποσυναρμολόγηση του εργαλείου και πριν τη χρήση του.

6.5 ΠΡΟΣΤΑΣΙΑ ΤΟΥ ΠΕΡΙΒΑΛΛΟΝΤΟΣ

Διασφαλίστε συμμόρφωση με τους εφαρμόσιμους κανονισμούς τελικής διάθεσης αποβλήτων. Απορρίψτε όλα τα απόβλητα προϊόντα σε εγκεκριμένη εγκατάσταση ή θέση απόρριψης αποβλήτων ώστε να μην εκτίθενται το προσωπικό και το περιβάλλον σε κινδύνους.

6.6 ΠΟΛΛΑΠΛΑΣΙΑΣΤΗΣ ΠΙΕΣΗΣ 07531-02200

* Ανατρέξτε στα στοιχεία που συμπεριλαμβάνονται στο κιτ σέρβις του 0753 MkII. Για πλήρη λίστα βλ. σελίδα 360. Οι αριθμοί στοιχείων σε **έντονη γραφή** αναφέρονται στην απέναντι εικόνα και λίστα εξαρτημάτων.

ΛΙΣΤΑ ΕΞΑΡΤΗΜΑΤΩΝ 07531-02200											
ΣΤΟΙΧΕΙΟ	ΑΡ. ΕΞΑΡΤ.	ΠΕΡΙΓΡΑΦΗ	ΠΟΣ. ΕΦΕΔΡΙΚΑ	ΣΤΟΙΧΕΙΟ	ΑΡ. ΕΞΑΡΤ.	ΠΕΡΙΓΡΑΦΗ	ΠΟΣ. ΕΦΕΔΡΙΚΑ	ΣΤΟΙΧΕΙΟ	ΑΡ. ΕΞΑΡΤ.	ΠΕΡΙΓΡΑΦΗ	ΠΟΣ. ΕΦΕΔΡΙΚΑ
1	07003-00037	ΣΤΕΓΑΝΟΠΟΙΗΣΗ	1	28	07531-00201	ΧΙΤΩΝΙΟ	1	28	07531-00201	ΧΙΤΩΝΙΟ	1
2	07240-00211	ΒΙΔΑ ΠΛΗΡΩΣΗΣ	1	29	07003-00337	ΣΤΕΓΑΝΟΠΟΙΗΣΗ ΜΕ ΧΕΙΛΟΣ	1	29	07003-00337	ΣΤΕΓΑΝΟΠΟΙΗΣΗ ΜΕ ΧΕΙΛΟΣ	1
3	07001-00418	ΒΙΔΑ ΕΞΑΕΡΩΣΗΣ	1	30	07003-00336	ΣΤΕΓΑΝΟΠΟΙΗΣΗ ΜΕ ΧΕΙΛΟΣ	2	30	07003-00336	ΣΤΕΓΑΝΟΠΟΙΗΣΗ ΜΕ ΧΕΙΛΟΣ	2
4	07240-00210	ΠΛΑΚΑ ΚΑΛΥΜΜΑΤΟΣ	1	31	07005-00406	ΣΥΝΔΕΣΜΟΣ	1	31	07005-00406	ΣΥΝΔΕΣΜΟΣ	1
5	71420-02006	ΠΕΡΙΒΛΗΜΑ ΣΤΕΓΑΝΟΠΟΙΗΣΗΣ	1	32	07005-00759	ΤΑΧΥΣΥΝΔΕΣΜΟΣ	1	32	07005-00759	ΤΑΧΥΣΥΝΔΕΣΜΟΣ	1
6	07003-00153	ΔΑΚΤΥΛΙΟΣ ΚΥΚΛΙΚΗΣ ΔΙΑΤΟΜΗΣ	2	33	07003-00142	ΣΤΕΓΑΝΟΠΟΙΗΣΗ	2	33	07003-00142	ΣΤΕΓΑΝΟΠΟΙΗΣΗ	2
7	71420-02007	ΤΑΠΑ ΣΤΕΓΑΝΟΠΟΙΗΣΗΣ	1	34	07240-00400	ΣΥΓΚΡΟΤΗΜΑ ΠΕΡΙΒΛΗΜΑΤΟΣ ΒΑΛΒΙΔΑΣ	1	34	07240-00400	ΣΥΓΚΡΟΤΗΜΑ ΠΕΡΙΒΛΗΜΑΤΟΣ ΒΑΛΒΙΔΑΣ	1
8	71420-02300	ΣΥΓΚΡΟΤΗΜΑ ΚΟΡΜΟΥ	1	35	07240-00209	ΣΤΕΓΑΝΟΠΟΙΗΤΙΚΟ	1	35	07240-00209	ΣΤΕΓΑΝΟΠΟΙΗΤΙΚΟ	1
9	71420-02008	ΡΑΒΔΟΣ ΕΜΒΟΛΟΥ	1	36	07002-00073	ΡΟΔΕΛΑ	4	36	07002-00073	ΡΟΔΕΛΑ	4
10	07003-00182	ΔΑΚΤΥΛΙΟΣ ΚΥΚΛΙΚΗΣ ΔΙΑΤΟΜΗΣ	1	37	07001-00554	ΒΙΔΑ	4	37	07001-00554	ΒΙΔΑ	4
11	07531-00202	ΕΜΒΟΛΟ ΑΕΡΑ	1	38	07007-01504	ΕΠΙΚΕΤΑ	1	38	07007-01504	ΕΠΙΚΕΤΑ	1
12	07531-00204	ΚΑΛΥΜΜΑ ΑΚΡΟΥ	1	39	07240-00217	ΕΠΙΚΕΤΑ	1	39	07240-00217	ΕΠΙΚΕΤΑ	1
13	07003-00183	ΔΑΚΤΥΛΙΟΣ ΚΥΚΛΙΚΗΣ ΔΙΑΤΟΜΗΣ	1	40	07531-00205	ΕΠΙΚΕΤΑ	2	40	07531-00205	ΕΠΙΚΕΤΑ	2
14	07004-00069	ΔΑΚΤΥΛΙΟΣ ΣΥΓΚΡΑΤΗΣΗΣ	1	41	07005-00596	* ΠΛΑΣΤΙΚΟΣ ΣΩΛΗΝΑΣ 6 mm	-	41	07005-00596	* ΠΛΑΣΤΙΚΟΣ ΣΩΛΗΝΑΣ 6 mm	-
15	07240-00213	ΣΙΓΑΣΤΗΡΑΣ ΑΦΡΟΔΟΥΣ ΥΛΙΚΟΥ	1	42	07245-00103	* ΣΥΝΔΕΣΜΟΣ ΥΠΟΠΙΕΣΗΣ	2	42	07245-00103	* ΣΥΝΔΕΣΜΟΣ ΥΠΟΠΙΕΣΗΣ	2
16	07240-00214	ΚΑΛΥΜΜΑ ΣΙΓΑΣΤΗΡΑ	1	43	07005-00590	ΒΑΛΒΙΔΑ COMPAIR	1	43	07005-00590	ΒΑΛΒΙΔΑ COMPAIR	1
17	07002-00017	ΠΑΞΙΜΑΔΙ	1	44	07005-01431	ΣΥΝΔΕΣΜΟΣ ΤΡΟΠΕΤΟΥ	1	44	07005-01431	ΣΥΝΔΕΣΜΟΣ ΤΡΟΠΕΤΟΥ	1
18	07240-00215	ΑΠΟΣΤΑΤΗΣ	1	45	07005-00668	ΤΑΠΑ Μ5	1	45	07005-00668	ΤΑΠΑ Μ5	1
19	07001-00417	ΒΙΔΑ	1	46	07005-00670	ΔΑΚΤΥΛΙΟΣ ΣΤΕΓΑΝΟΠΟΙΗΣΗΣ Μ5	1	46	07005-00670	ΔΑΚΤΥΛΙΟΣ ΣΤΕΓΑΝΟΠΟΙΗΣΗΣ Μ5	1
20	07240-00216	ΠΛΑΚΑ ΣΥΓΚΡΑΤΗΣΗΣ	1	47	07005-01084	ΠΛΑΣΤΙΚΟΣ ΣΩΛΗΝΑΣ 4 mm (150 mm)	-	47	07005-01084	ΠΛΑΣΤΙΚΟΣ ΣΩΛΗΝΑΣ 4 mm (150 mm)	-
21	*07003-00042	ΔΑΚΤΥΛΙΟΣ ΚΥΚΛΙΚΗΣ ΔΙΑΤΟΜΗΣ	1	48	07005-01524	ΒΑΛΒΙΔΑ FESTO	1	48	07005-01524	ΒΑΛΒΙΔΑ FESTO	1
22	07005-00041	ΣΥΝΔΕΣΜΟΣ	1	49	07001-00176	ΒΙΔΑ	3	49	07001-00176	ΒΙΔΑ	3
23	07003-00065	ΡΟΔΕΛΑ	1	50	07007-00292	ΚΟΚΚΙΝΟ ΚΑΠΑΚΙ 1/4" BSP	1	50	07007-00292	ΚΟΚΚΙΝΟ ΚΑΠΑΚΙ 1/4" BSP	1
24	07240-00220	ΠΡΟΣΤΑΤΕΥΤΙΚΗ ΠΛΑΚΑ	1	51	07005-00647	ΣΥΝΔΕΣΜΟΣ	1	51	07005-00647	ΣΥΝΔΕΣΜΟΣ	1
25	07001-00375	ΒΙΔΑ	2	52	07005-01085	ΠΛΑΣΤΙΚΟΣ ΣΩΛΗΝΑΣ 6 mm (150 mm)	-	52	07005-01085	ΠΛΑΣΤΙΚΟΣ ΣΩΛΗΝΑΣ 6 mm (150 mm)	-
26	07003-00238	ΔΑΚΤΥΛΙΟΣ ΚΥΚΛΙΚΗΣ ΔΙΑΤΟΜΗΣ	1	53	07005-00855	ΡΑΚΟΡ ΤΡΟΠΕΤΟΥ	1	53	07005-00855	ΡΑΚΟΡ ΤΡΟΠΕΤΟΥ	1
27	07001-00396	ΒΙΔΑ	4	54	73200-02022	ΕΠΙΚΕΤΑ ΑΣΦΑΛΕΙΑΣ	1	54	73200-02022	ΕΠΙΚΕΤΑ ΑΣΦΑΛΕΙΑΣ	1

7. ΑΡΧΙΚΗ ΠΛΗΡΩΣΗ

Η αρχική πλήρωση είναι ΠΑΝΤΑ απαραίτητη μετά την αποσυναρμολόγηση του εργαλείου και πριν τη χρήση του. Επίσης μπορεί να είναι απαραίτητη η επαναφορά της πλήρους διαδρομής μετά από παρατεταμένη χρήση, όταν η διαδρομή μπορεί να μειωθεί και τα στοιχεία στερέωσης να μην τοποθετούνται πλήρως με ένα πάτημα της σκανδάλης.

7.1 ΛΕΠΤΟΜΕΡΕΙΕΣ ΓΙΑ ΤΟ ΛΑΔΙ

Το συνιστώμενο λάδι πλήρωσης είναι το Hyspin® VG 32 και AWS 32 που είναι διαθέσιμο σε δοχεία 0,5 L (αριθμός ανταλλακτικού 07992-00002) ή ενός γαλονιού (αριθμός ανταλλακτικού 07992-00006). Δείτε το δεδομένα ασφαλείας παρακάτω.

7.2 ΛΑΔΙ HYSPIN® VG32 ΚΑΙ AWS 32 - ΔΕΔΟΜΕΝΑ ΑΣΦΑΛΕΙΑΣ

Πρώτες Βοήθειες

ΔΕΡΜΑ:

Πλύνετε σχολαστικά με σαπούνι και νερό το συντομότερο δυνατόν. Μετά από μικρής έκτασης επαφή δεν απαιτείται άμεση αντιμετώπιση. Μετά από σύντομη επαφή δεν απαιτείται άμεση αντιμετώπιση.

ΚΑΤΑΠΟΣΗ:

Ζητήστε άμεσα ιατρική βοήθεια. ΜΗΝ προκαλέσετε εμετό.

ΜΑΤΙΑ:

Ξεπλύνετε άμεσα με νερό για αρκετά λεπτά. Παρόλο που ΔΕΝ είναι πρωτοπαθώς ερεθιστική ουσία, μπορεί να προκύψει ελαφρός ερεθισμός μετά από επαφή.

Φωτιά

Κατάλληλα μέσα πυρόσβεσης: CO₂, ξηρή σκόνη, αφρός ή ομίχλη νερού. ΜΗ χρησιμοποιείτε πίδακες νερού.

Περιβάλλον

ΤΕΛΙΚΗ ΔΙΑΘΕΣΗ ΑΠΟΒΛΗΤΩΝ: Μέσω εγκεκριμένου εργολάβου σε αδειοδοτημένη τοποθεσία. Μπορεί να αποτεφρωθεί. Το χρησιμοποιημένο προϊόν μπορεί να αποσταλεί για εκ νέου αξιοποίηση.

ΤΥΧΑΙΑ ΕΚΧΥΣΗ: Αποτρέψτε την είσοδο σε αποχετεύσεις, υπνόμους και υδάτινα ρεύματα. Να απορροφάται με απορροφητικό υλικό.

Χειρισμός

Φοράτε προστασία ματιών, αδιαπέραστα γάντια (π.χ. από PVC) και πλαστική ποδιά. Να χρησιμοποιείται σε καλά αεριζόμενο χώρο.

Αποθήκευση

Δεν απαιτούνται ειδικές προφυλάξεις.

7.3 ΔΙΑΔΙΚΑΣΙΑ ΑΡΧΙΚΗΣ ΠΛΗΡΩΣΗΣ

ΣΗΜΑΝΤΙΚΟ

ΜΗΝ ΠΑΤΗΣΕΤΕ ΤΗ ΣΚΑΝΔΑΛΗ ΕΝΩ ΕΧΕΙ ΑΦΑΙΡΕΘΕΙ Η ΒΙΔΑ ΕΞΑΕΡΩΣΗΣ

Όλες οι εργασίες θα πρέπει να πραγματοποιούνται σε καθαρό πάγκο, με καθαρά χέρια και σε καθαρό χώρο. Βεβαιωθείτε ότι το καινούργιο λάδι είναι απόλυτα καθαρό και απαλλαγμένο από φυσαλίδες αέρα. Πάντα ΠΡΕΠΕΙ να προσέχετε για να διασφαλίζετε ότι δεν θα εισέλθουν ξένα υλικά στο εργαλείο, διαφορετικά μπορεί να προκύψει σοβαρή ζημιά.

- Αφαιρέστε τη βίδα **2** και τη στεγανοποίηση **1** από την πλαστική πλάκα καλύμματος **4** στο ρεζερβουάρ του πολλαπλασιαστή πίεσης.
- Προσθέστε το λάδι πλήρωσης στο ρεζερβουάρ έως ότου είναι περίπου 1/2" (12 mm) από το πάνω μέρος.
- Επανατοποθετήστε τη βίδα **2** και τη στεγανοποίηση **1**.
- Συνδέστε τη μονάδα πολλαπλασιαστή πίεσης στην παροχή αέρα. Αφαιρέστε τη βίδα από το ρεζερβουάρ.
- Με τη μονάδα πιστολιού 07536 τοποθετημένη στη μονάδα πολλαπλασιαστή πίεσης και διατηρώντας την κάτω από το επίπεδο της μονάδας πολλαπλασιαστή πίεσης, ξεβιδώστε τη βίδα εξαέρωσης **64** από το συγκρότημα τάπας εξαέρωσης **43** στο εργαλείο 07536 κατά δύο στροφές και αφήστε να τρέξει λάδι από το εργαλείο.
- Όταν το λάδι τρέχει ελεύθερα και είναι απαλλαγμένο από φυσαλίδες αέρα, σφίξτε τη βίδα εξαέρωσης.
- Συμπληρώστε το ρεζερβουάρ στη μονάδα πολλαπλασιαστή πίεσης με λάδι αρχικής πλήρωσης.
- Διενεργήστε κύκλους λειτουργίας του εργαλείου έως ότου τυχόν φυσαλίδες αέρα που υπάρχουν στο λάδι εκδιωχθούν προς το ρεζερβουάρ λαδιού.

Οι αριθμοί στοιχείων σε **έντονη γραφή** αναφέρονται στο γενικό σχέδιο συναρμολόγησης και στη λίστα εξαρτημάτων στις σελίδες 365-368.

8. ΔΙΑΓΝΩΣΗ ΒΛΑΒΩΝ

ΣΥΜΠΤΩΜΑ	ΠΙΘΑΝΗ ΑΙΤΙΑ	ΛΥΣΗ	ΑΝΑΦ. ΣΕΛΙΔΑΣ
Το εργαλείο δεν τοποθετεί στοιχεία στερέωσης	Χαμηλή πίεση αέρα.	Αυξήστε την πίεση αέρα	
	Έλλειψη λίπανσης.	Λιπάνετε το εργαλείο στο σημείο εισόδου αέρα	
	Υψηλό φορτίο διάνοιξης.	Ελέγξτε το κράτημα του στοιχείου στερέωσης και το μέγεθος οπών της εφαρμογής	
	Ελέγξτε αν το μέγεθος της ατράκτου είναι σωστό.		
	Απενεργοποιημένες σιαγόνες πίσω τμήματος.	Ενεργοποιήστε τις σιαγόνες πίσω τμήματος	
	Αέρας στο υδραυλικό σύστημα.	Βλ. "Διαδικασία αρχικής πλήρωσης"	370
"Ολίσθηση της ατράκτου" – οι σιαγόνες δεν πιάνουν την άτρακτο	Φθαρμένες ή λερωμένες σιαγόνες πίσω τμήματος.	Καθαρίστε ή αντικαταστήστε όπως χρειάζεται	
	' Ανεπαρκής πίεση/όγκος αέρα.	Αυξήστε την πίεση/τον όγκο αέρα	
	' Μη λειτουργικός διακόπτης σιαγόνων πίσω τμήματος.	Αντικαταστήστε τον διακόπτη	
	' Διαρροές αέρα προς τις σιαγόνες πίσω τμήματος.	Αντικαταστήστε τους δακτυλίους 'Ο' στο έμβολο 11	
	Άτρακτος σπασμένη και δεν φθάνει στις σιαγόνες πίσω τμήματος.	Αντικαταστήστε την άτρακτο	
	Βλάβη στο πνευματικό κουτί ελέγχου.	Επικοινωνήστε με το προσωπικό της Stanley Engineered Fastening	
Οι σιαγόνες δεν ελευθερώνουν την άτρακτο	Λερωμένες σιαγόνες πίσω τμήματος ή περίβλημα σιαγόνων.	Καθαρίστε και λιπάνετε	
	Βλάβη διακόπτη σιαγόνων πίσω τμήματος.	Αντικαταστήστε τους δακτυλίους κυκλικής διατομής	
	Σήμα παγιδευμένου αέρα	Ελέγξτε τις σωληνώσεις πεπιεσμένου αέρα	
	Βλάβη στο πνευματικό κουτί ελέγχου	Επικοινωνήστε με το προσωπικό της Stanley Engineered Fastening	
Δεν τροφοδοτούνται στοιχεία στερέωσης μέσα από τις σιαγόνες μύτης	Σιαγόνες πίσω τμήματος μη ενεργοποιημένες.	Ενεργοποιήστε τις σιαγόνες πίσω τμήματος	
	Φθαρμένες σιαγόνες πίσω τμήματος.	Αντικαταστήστε τις σιαγόνες πίσω τμήματος	
	Λανθασμένος προσανατολισμός δρομέα.	Επανατοποθετήστε, εξασφαλίζοντας σωστό προσανατολισμό	
	Λανθασμένος δρομέας	Τοποθετήστε σωστό δρομέα	
	Λανθασμένες σιαγόνες μύτης.	Τοποθετήστε σωστές σιαγόνες μύτης	
	Δεν έχει τοποθετηθεί ελατήριο καθοδήγησης ατράκτου.	Τοποθετήστε σωστό ελατήριο καθοδήγησης ατράκτου	
	Μήκος ελατηρίου καθοδήγησης ατράκτου	Τοποθετήστε σωστό ελατήριο καθοδήγησης ατράκτου	
	Λανθασμένο διάκενο μεταξύ κεφαλής στοιχείου στερέωσης και σιαγόνων μύτης σε φορτωμένη κατάσταση.	Ρυθμίστε το διάκενο σε 1,5 mm - 3 mm (1/16" - 1/8") Βλ. 'Φόρτωση του εργαλείου'	357-358
	Ο δρομέας κολλάει.	Καθαρίστε και λαδώστε τον δρομέα	
	Φθαρμένος δρομέας αέρα	Αντικαταστήστε τον δρομέα	
	Έχει τοποθετηθεί λανθασμένο ελατήριο καθοδήγησης ατράκτου.	Τοποθετήστε σωστό ελατήριο καθοδήγησης ατράκτου	
Φθαρμένο ή σπασμένο ελατήριο επαναφοράς κάννης	Αντικαταστήστε το ελατήριο επαναφοράς κάννης		
Υπερβολική φθορά των πίσω σιαγόνων	Υψηλό φορτίο διάνοιξης.	Ελέγξτε το μέγεθος οπών της εφαρμογής και το πάχος καθώς και την ικανότητα κρατήματος των στοιχείων στερέωσης	
Τροφοδοτούνται περισσότερα από ένα στοιχεία στερέωσης τη φορά	Ολίσθηση της ατράκτου.	Ελέγξτε σύμφωνα με το τμήμα "Ολίσθηση της ατράκτου", στάδιο 2	
	Λανθασμένο διάκενο μεταξύ κεφαλής στοιχείου στερέωσης και σιαγόνων μύτης σε φορτωμένη κατάσταση	Ρυθμίστε το διάκενο σε 1,5 mm - 3 mm (1/16" - 1/8") Βλ. 'Φόρτωση του εργαλείου' στη σελίδα	357-358

Άλλα συμπτώματα ή βλάβες θα πρέπει να τα αναφέρετε στον τοπικό σας εξουσιοδοτημένο διανομέα ή κέντρο επισκευών της Stanley Engineered Fastening.

ΣΗΜΕΙΩΣΕΙΣ

9. ΔΗΛΩΣΗ ΣΥΜΜΟΡΦΩΣΗΣ ΕΚ

Εμείς, η εταιρεία **Stanley Engineered Fastening, Stanley House, Works Road, Letchworth Garden City, Hertfordshire, SG6 1JY UNITED KINGDOM (ΗΝΩΜΕΝΟ ΒΑΣΙΛΕΙΟ)**, δηλώνουμε με αποκλειστική μας ευθύνη ότι το προϊόν:

Περιγραφή: Υδρο-πνευματικό επαναληπτικό εργαλείο για πριτσίνια ταχείας τοποθέτησης

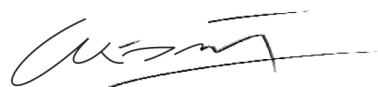
Μοντέλο: 07536

το οποίο αφορά η παρούσα δήλωση βρίσκεται σε συμμόρφωση με τα ακόλουθα εναρμονισμένα πρότυπα:

ISO 12100:2010	EN ISO 3744:2010
EN ISO 11202:2010	EN ISO 11148-1:2011
EN ISO 4413:2010	BS EN 28662-1:1993
EN ISO 4414:2010	EN ISO 20643:2008+A1:2012
EN ISO 28927-5:2009+A1:2015	ES100118-αναθ. 17:2017

Ο τεχνικός φάκελος συντάχθηκε σύμφωνα με το Παράρτημα VII, σύμφωνα με την ακόλουθη οδηγία: **2006/42/ΕΚ Οδηγία περί μηχανημάτων** (Διάταγμα Ην. Βασιλείου 2008 Αρ. 1597 - Κανονισμοί (ασφαλείας) περί προμήθειας μηχανημάτων αντίστοιχα).

Ο κάτωθι υπογεγραμμένος δηλώνει τα παρόντα εξ ονόματος της STANLEY Engineered Fastening



A. K. Seewraj

Τεχνικός Διευθυντής, Ην. Βασιλείου

Avdel UK Limited, Stanley House, Works Road, Letchworth Garden City, Hertfordshire, SG6 1JY UNITED KINGDOM (Ην. Βασίλειο)

Τοποθεσία έκδοσης: Letchworth Garden City, Ην. Βασίλειο

Ημερομηνία έκδοσης: 01-01-2021

Ο κάτωθι υπογεγραμμένος είναι υπεύθυνος για την κατάρτιση του τεχνικού φακέλου για προϊόντα πωλούμενα στην Ευρωπαϊκή Ένωση και δηλώνει τα παρόντα εκ μέρους της Stanley Engineered Fastening.

Matthias Appel

Αρχηγός Ομάδας Τεχνικής Τεκμηρίωσης

Stanley Engineered Fastening, Tucker GmbH, Max-Eyth-Str.1, 35394 Gießen, Germany (Γερμανία)



Αυτό το μηχάνημα συμμορφώνεται με την οδηγία περί μηχανημάτων 2006/42/ΕΚ

10. ΔΗΛΩΣΗ ΣΥΜΜΟΡΦΩΣΗΣ ΗΝ. ΒΑΣΙΛΕΙΟΥ

Εμείς, η εταιρεία **Stanley Engineered Fastening, Stanley House, Works Road, Letchworth Garden City, Hertfordshire, SG6 1JY UNITED KINGDOM (ΗΝΩΜΕΝΟ ΒΑΣΙΛΕΙΟ)**, δηλώνουμε με αποκλειστική μας ευθύνη ότι το προϊόν:

Περιγραφή: Υδρο-πνευματικό επαναληπτικό εργαλείο για πριτσίνια ταχείας τοποθέτησης


Μοντέλο: 07536

το οποίο αφορά η παρούσα δήλωση βρίσκεται σε συμμόρφωση με τα ακόλουθα καθορισμένα πρότυπα:

ISO 12100:2010	EN ISO 3744:2010
EN ISO 11202:2010	EN ISO 11148-1:2011
EN ISO 4413:2010	BS EN 28662-1:1993
EN ISO 4414:2010	EN ISO 20643:2008+A1:2012
EN ISO 28927-5:2009+A1:2015	ES100118-αναθ. 17:2017

Η τεχνική τεκμηρίωση συντάσσεται σύμφωνα με τους Κανονισμούς (ασφαλείας) προμήθειας μηχανημάτων 2008, Διάταγμα Ην. Βασιλείου 2008/1597 (όπως τροποποιήθηκε).

Ο κάτωθι υπογεγραμμένος δηλώνει τα παρόντα εξ ονόματος της STANLEY Engineered Fastening



A. K. Seewraj

Τεχνικός Διευθυντής, Ην. Βασιλείου

Avdel UK Limited, Stanley House, Works Road, Letchworth Garden City, Hertfordshire, SG6 1JY UNITED KINGDOM (Ην. Βασίλειο)

Τοποθεσία έκδοσης: Letchworth Garden City, Ην. Βασίλειο

Ημερομηνία έκδοσης: 01-01-2021



Αυτό το μηχάνημα συμμορφώνεται με τους Κανονισμούς (ασφαλείας) περί προμήθειας μηχανημάτων 2008, Διάταγμα Ην. Βασιλείου 2008/1597 (όπως τροποποιήθηκε)

11. ΠΡΟΣΤΑΤΕΨΤΕ ΤΗΝ ΕΠΕΝΔΥΣΗ ΣΑΣ!

Stanley® Engineered Fastening - ΕΓΓΥΗΣΗ ΕΡΓΑΛΕΙΟΥ ΤΥΦΛΩΝ ΠΡΙΤΣΙΝΙΩΝ

Η STANLEY® Engineered Fastening εγγυάται ότι όλα τα εργαλεία ισχύος έχουν κατασκευαστεί με μεγάλη προσοχή και ότι θα είναι απαλλαγμένα από ελάττωμα σε υλικό και εργασία υπό κανονική χρήση και σέρβις, για περίοδο ενός (1) έτους.

Η εγγύηση αυτή έχει εφαρμογή για τον πρώτο αγοραστή του εργαλείου για αρχική χρήση.

Εξαιρέσεις:

Κανονική φθορά.

Περιοδική συντήρηση, επισκευές και ανταλλακτικά λόγω κανονικής φθοράς εξαιρούνται από την κάλυψη.

Κακομεταχείριση & κακή χρήση.

Εξαιρούνται από την κάλυψη βλάβες ή ζημιές από ακατάλληλη λειτουργία, αποθήκευση, κακή χρήση ή κακομεταχείριση, ατύχημα ή αμέλεια, όπως φυσική ζημιά.

Μη εξουσιοδοτημένο σέρβις ή τροποποίηση.

Εξαιρούνται από την κάλυψη βλάβες ή ζημιές που προκύπτουν από σέρβις, δοκιμή, ρύθμιση, εγκατάσταση, συντήρηση, μετατροπή ή τροποποίηση με οποιονδήποτε τρόπο από οποιονδήποτε άλλον πλην της STANLEY® Engineered Fastening, ή τα εξουσιοδοτημένα κέντρα σέρβις της.

Με το παρόν αποκλείονται όλες οι άλλες εγγυήσεις, ρητές ή σιωπηρές, περιλαμβανομένων οποιονδήποτε εγγυήσεων εμπορευσιμότητας ή καταλληλότητας για συγκεκριμένη χρήση.

Σε περίπτωση που το προϊόν δεν ανταποκριθεί στην περίοδο εγγύησης, επιστρέψτε άμεσα το εργαλείο στο εξουσιοδοτημένο από το εργοστάσιό μας σημείο σέρβις που βρίσκεται πιο κοντά σας. Για μια λίστα εξουσιοδοτημένων κέντρων σέρβις STANLEY® Engineered Fastening σε ΗΠΑ ή Καναδά, επικοινωνήστε μαζί μας στον αριθμό μας δωρεάν κλήσης (877)364 2781.

Εκτός ΗΠΑ και Καναδά, επισκεφθείτε τον ιστότοπό μας www.StanleyEngineeredFastening.com για να βρείτε την πλησιέστερή σας τοποθεσία STANLEY Engineered Fastening.

Τότε η STANLEY Engineered Fastening θα αντικαταστήσει, χωρίς δική σας χρέωση, οποιοδήποτε εξάρτημα ή εξαρτήματα βρούμε ότι έχουν υποστεί βλάβη λόγω ελαττωματικού υλικού ή εργασίας, και θα επιστρέψουμε το υλικό με προπληρωμένη αποστολή. Αυτό αποτελεί τη μοναδική μας υποχρέωση βάσει της παρούσας εγγύησης.

Σε καμία περίπτωση δεν θα φέρει η STANLEY Engineered Fastening την ευθύνη για οποιοσδήποτε παρεπόμενες ή ειδικές ζημιές προερχόμενες από την αγορά ή τη χρήση του παρόντος εργαλείου.

Καταχωρίστε online το εργαλείο σας τυφλών πριτσινιών.

Για να καταχωρίσετε την εγγύησή σας online, επισκεφθείτε μας στο <https://www.stanleyengineeredfastening.com/support/warranty-registration-form>

Ευχαριστούμε που επιλέξατε ένα εργαλείο μάρκας Stanley Assembly Technologies της STANLEY® Engineered Fastening.

©2021 Stanley Black & Decker inc.
Tüm Hakları Saklıdır.

Burada sunulan bilgiler, STANLEY Engineered Fastening'den önceden açık ve yazılı izin alınmadan kopyalanamaz ve/veya herhangi bir şekilde (elektronik veya mekanik olarak) açıklanamaz. Burada sunulan bilgiler, bu ürünün piyasaya sunulduğu anda bilinen verilere bağlı olarak belirlenmiştir. STANLEY Engineered Fastening devamlı ürün geliştirme politikasına sahiptir ve bu yüzden ürünler değişebilir. Burada sunulan bilgiler, STANLEY Engineered Fastening'in sunduğu şekildeki ürün için geçerlidir. Bu yüzden, STANLEY Engineered Fastening ürünün orijinal özelliklerindeki farklılıklardan dolayı ortaya çıkan hasarlardan sorumlu tutulamaz.

Burada sunulan bilgiler büyük dikkatle hazırlanmıştır. Fakat, STANLEY Engineered Fastening bilgilerinin hatalı olması veya bunun yaratacağı sorunlarla ilgili sorumluluk kabul etmemektedir. STANLEY Engineered Fastening, üçüncü kişilerin yürüttüğü etkinliklerden ortaya çıkan hasarlar konusunda sorumluluk kabul etmeyecektir. STANLEY Engineered Fastening tarafından kullanılan iş isimleri, ticari isimler, tescilli ticari markalar vs. ticari markaların korunması ile ilgili kanunlar uyarınca ücretsiz olduğu anlaşılmayacaktır.

1. GÜVENLİK TANIMLARI	378
1.1 GENEL GÜVENLİK KURALLARI.....	378
1.2 CİSİM FIRLAMA TEHLİKELERİ.....	378
1.3 ÇALIŞMA TEHLİKELERİ.....	379
1.4 TEKRARLAYAN HAREKET TEHLİKELERİ.....	379
1.5 AKSESUAR TEHLİKELERİ.....	379
1.6 İŞYERİ TEHLİKELERİ.....	379
1.7 GÜRÜLTÜ TEHLİKELERİ.....	379
1.8 TİTREŞİM TEHLİKELERİ.....	380
1.9 PNÖMATİK VE HİDROLİK ALET İÇİN EK GÜVENLİK TALİMATLARI.....	380
2. ÖZELLİKLER	381
2.1 07536 ALETİ İÇİN TEKNİK ÖZELLİKLER.....	381
2.2 07531 GÜÇLENDİRİCİ İÇİN TEKNİK ÖZELLİKLER.....	381
3. KULLANIM AMACI	382
3.1 ALET EBATLARI - 07536 MODEL.....	382
4. HİZMETE ALINMASI	383
4.1 HAVALI BESLEME.....	383
4.2 HAVALI SÜRGÜLER.....	384
4.3 ALETİN DOLDURULMASI VE YENİDEN DOLDURULMASI.....	384
4.4 ÇALIŞTIRMA PROSEDÜRÜ.....	386
5. ALET BAKIMI	387
5.1 PNÖMATİK KUMANDA KUTUSU.....	387
5.2 GÜNLÜK.....	387
5.3 HAFTALIK.....	387
5.4 MOLY LITHIUM GREASE EP 3753 GÜVENLİK VERİLERİ.....	387
5.5 SERVİS KİTİ.....	388
5.6 HAVALI SÜRGÜ ALET, GÜÇLENDİRİCİ VE KUMANDA KUTUSU TERTİBATI 07536-02100.....	389
6. BAKIM	390
6.1 DEMONTE ETME 07536-02200.....	390
6.2 TABAN ALETİNİN GENEL KURULUMU 07536-02200.....	392
6.3 TABAN ALETİ PARÇA LİSTESİ 07536-02200.....	393
6.4 DEMONTAJ TALİMATLARI.....	394
6.5 ÇEVRENİN KORUNMASI.....	395
6.6 GÜÇLENDİRİCİ 07531-02200.....	395
7. HAZIRLAMA	397
7.1 YAĞ BİLGİLERİ.....	397
7.2 HYPIN® VG 32 VE AWS 32 YAĞ GÜVENLİK VERİLERİ.....	397
7.3 HAZIRLAMA PROSEDÜRÜ.....	397
8. ARIZA TEŞHİS	398
9. AB UYGUNLUK BEYANI	400
10. İNGİLTERE UYGUNLUK BEYANI	401
11. YATIRIMINIZI KORUYUN!	402



Bu aleti kullanacak veya montajını yapacak her kişi, aşağıdaki güvenlik kurallarına özellikle dikkat ederek bu kullanım kılavuzunu okumalıdır.



Aletin çalışması sırasında daima darbeye dayanıklı göz koruması kullanın. Gereken koruma derecesi her kullanım için özel değerlendirilmelidir.



İşveren talimatlarına uygun olarak, iş sağlığı ve güvenliği yönetmeliklerinin gerektirdiği şekilde işitme koruması kullanın.



Aletin kullanımı sırasında operatörün elleri ezilme, çarpma, kesilme, sıyrılmaya ve yüksek ısı gibi tehlikelere maruz bırakabilir. Elleri korumak için uygun eldiven takın.

1. GÜVENLİK TANIMLARI

Aşağıdaki tanımlar her işaret sözcüğü ciddiyet derecesini gösterir. Lütfen kılavuzu okuyun ve bu simgelere dikkat edin.

⚠ TEHLİKE: Engellenmemesi halinde ölüm veya ciddi yaralanma ile sonuçlanabilecek çok yakın bir tehlikeli durumu gösterir.

⚠ UYARI: Engellenmemesi halinde ölüm veya ciddi yaralanma ile sonuçlanabilecek potansiyel bir tehlikeli durumu gösterir.

⚠ DİKKAT: Engellenmemesi halinde önemsiz veya orta dereceli yaralanma ile sonuçlanabilecek potansiyel bir tehlikeli durumu gösterir.

⚠ DİKKAT: Güvenlik uyarısı sembolü olmadan kullanılması, kaçınılmadığında üründe hasara neden olabilecek potansiyel tehlikeli bir durumu gösterir.

Bu ürünün uygun olmayan şekilde kullanım veya bakımı, ciddi yaralanmalara veya üründe hasara neden olabilir. Bu ekipmanı kullanmadan önce, tüm uyarı ve çalıştırma talimatlarını okuyup anlayın. Elektrikli aletleri kullanırken, kişisel yaralanma riskini azaltmak için temel güvenlik önlemlerine her zaman uyulmalıdır.

BÜTÜN UYARI VE GÜVENLİK TALİMATLARINI İLERİDE BAKMAK ÜZERE MUHAFAZA EDİN

1.1 GENEL GÜVENLİK KURALLARI

- Birden fazla tehlike için, aksesuarları takmadan, çalıştırmadan, tamir etmeden, bakımını yapmadan, değiştirmeden veya aletin yakınında çalışma yapmadan önce güvenlik talimatlarını okuyun ve anlayın. Bunun yapılmaması ciddi bedensel yaralanmalara neden olabilir.
- Alet yalnızca deneyimli ve eğitilmiş operatörler tarafından monte edilmeli, ayarlanmalı veya kullanılmalıdır.
- STANLEY Engineered Fastening Kör Perçinleri çakmanın dışında bir amaçla kullanmayın.
- Sadece üreticinin tavsiye ettiği parçaları, ekleri ve aksesuarları kullanın.
- Alet üzerinde değişiklik YAPMAYIN. Değişiklikler güvenlik önlemlerinin etkinliğini azaltabilir ve operatöre yönelik riskleri artırabilir. Müşterinin alet üzerinde yapacağı tüm değişiklikler kendi sorumluluğunda olup aletin garantisini geçersiz kılar.
- Güvenlik talimatlarını atmayın; bu talimatları operatöre verin.
- Hasar görmüş bir aleti kullanmayın.
- Kullanmadan önce, hareketli parçalardaki hizalama hatalarını ve tutuklukları, parçalardaki kırılmalar ve aletin çalışmasını etkileyecek tüm diğer koşulları kontrol edin. Hasarlı ise, aleti kullanmadan önce tamir ettirin. Kullanmadan önce, anahtarları veya penseleri çıkarın.
- Aletler, ISO 11148'in bu bölümünün gerektirdiği derecelendirme ve işaretlerin alet üzerinde okunaklı bir şekilde işaretlendiğini doğrulamak için periyodik olarak kontrol edilmelidir. İşveren/kullanıcı gerektiğinde yedek markalama etiketleri almak için üreticiye başvurulmalıdır.
- Alet sürekli güvenli çalışır halde tutulmalı ve arıza ve çalışır durumu açısından eğitilmiş personel tarafından düzenli aralıklarla kontrol edilmelidir. Demontaj işlemi, sadece eğitilmiş personel tarafından gerçekleştirilecektir. Aleti, önceden bakım talimatlarına danışmadan demonte etmeyin.

1.2 CİSİM FIRLAMA TEHLİKELERİ

- Bakım ya da ayar yapmadan veya burun tertibatını ya da aksesuarlarını takmadan veya çıkarmadan önce aletin hava beslemesinden bağlantısını kesin.
- İş parçası veya aksesuarlar ya da takılı aletin kendisinin arızalanması durumunda perçinlerin yüksek hızla fırlayabileceğini unutmayın.
- Aletin çalışması sırasında daima darbeye dayanıklı göz koruması kullanın. Gereken koruma derecesi her kullanım için özel değerlendirilmelidir.
- Bu sırada başkalarına yönelik riskler de değerlendirilmelidir.
- İş parçasının sağlam bir şekilde sabitlendiğinden emin olun.

- Perçin ve/veya mandrelin fırlamasından korunma araçlarının yerinde ve çalışır durumda olduğunu kontrol edin.
- Mandrellerin aletin önünden hızla fırlama ihtimaline karşı dikkatli olun.
- Aleti herhangi bir kişiye dönük halde ÇALIŞTIRMAYIN.

1.3 ÇALIŞMA TEHLİKELERİ

- Aletin kullanımı sırasında operatörün elleri ezilme, çarpma, kesilme, sıyrılma ve yüksek ısı gibi tehlikelere maruz bırakabilir. Elleri korumak için uygun eldiven takın.
- Operatörler ve bakım personelinin, alet kütlesi, ağırlığı ve gücünü kontrol edebilmeleri gerekir.
- Aleti doğru şekilde tutun, normal veya ani hareketlere reaksiyon göstermek için hazır olun ve her iki elinizi de kullanın. Alet tutma yerlerini kuru, temiz, yağ ve gresten arınmış olarak muhafaza edin.
- Aleti çalıştırırken dengeli bir vücut pozisyonu sağlayın ve yere sağlam bir şekilde basın.
- Hidrolik beslemenin kesilmesi durumunda başlatma-durdurma düzeneğini serbest bırakın.
- Sadece üretici tarafından önerilen yağlayıcıları kullanın.
- Hidrolik sıvı ile teması önlenmelidir. Döküntü olasılığını en aza indirmek için, temas halinde iyice yıkanmaya özen gösterilmelidir.
- Tüm hidrolik yağlar ve yağlayıcılara ait Malzeme Güvenlik Bilgi Formu verileri alet tedarikçinizden talep edilebilir.
- Bazı duruş pozisyonları aletin normal veya beklenmedik hareketine reaksiyon vermenizi engelleyebileceği için uygun olmayan duruşlardan kaçının.
- Alet bir süspansiyon cihazına sabitlenmişse, sabitlemenin güvenli olduğundan emin olun.
- Burun donanımı takılmadığında ezilme veya sıkışma riskine dikkat edin.
- Aleti burun mahfazası takılı değilken KULLANMAYIN.
- Aleti kullanacak kişiler, kullanmadan önce ellerini yeterince uzakta tutmalıdır.
- Aleti bir yerden bir yere taşıırken, istemeden çalıştırmamak için elinizi tetikten uzak tutun.
- Aleti yere düşürmeyin veya bir çekiç olarak KULLANMAYIN.
- Harcanmış mandrellerin bir tehlike yaratmamasına özen gösterilmelidir.

1.4 TEKRARLAYAN HAREKET TEHLİKELERİ

- Bir elektrikli el aleti kullanırken, eller, kollar, omuzlar, boyun veya vücudun diğer uzuvlarında bir rahatsızlık hissedebilirsiniz.
- Operatör, aleti kullanırken güvenli bir duruş sağlamalı, uygunsuz veya dengesiz pozisyonlardan kaçınarak rahat bir duruş benimsemelidir. Operatör uzun süreli görevler sırasında vücudun duruş pozisyonunu değiştirerek rahatsızlık ve yorgunluğun önlenmesine yardımcı olabilir.
- Operatör sürekli veya tekrarlayan rahatsızlık, ağrı, zonklama, sızı, karıncalanma, uyuşma, yanma hissi veya sertlik gibi semptomlar yaşarsa, bu uyarı işaretlerini mutlaka dikkate almalıdır. Operatör bu durumu işverenine derhal bildirmeli ve deneyimli bir sağlık personeline danışmalıdır.

1.5 AKSESUAR TEHLİKELERİ

- Burun tertibatını veya aksesuarını takmadan veya çıkarmadan önce aletin hava beslemesinden bağlantısını kesin.
- Yalnızca aletin üreticisi tarafından önerilen boyut ve türdeki aksesuarları ve sarf malzemelerini kullanın; başka tür veya boyutta aksesuar veya sarf malzemelerini kullanmayın.

1.6 İŞYERİ TEHLİKELERİ

- Kaymalar, takılmalar ve düşmeler işyerinde yaralanmaların ana nedenleridir. Aletin kullanımının neden olduğu kaygan yüzeylere ve ayrıca hava borusu veya hidrolik hortumun neden olduğu takılma tehlikelerine dikkat edin.
- Tanımadığınız yerlerde dikkatli ilerleyin. Elektrik kabloları veya diğer borular gibi gizli tehlikeler mevcut olabilir.
- Bu alet potansiyel olarak patlayıcı olan ortamlarda kullanım için tasarlanmamıştır ve elektrik temasına karşı yalıtımlı değildir.
- Alet kullanılırken hasar gördüğünde tehlikeye neden olabilecek herhangi bir elektrik kablosu, gaz borusu vb. bulunmadığından emin olun.
- Uygun şekilde giyinin. Bol elbiseler giymeyin ve takı takmayın. Saçınızı, elbiselerinizi ve eldivenlerinizi hareketli parçalardan uzak tutun. Bol elbiseler ve takılar veya uzun saç hareketli parçalara takılabilir.
- Harcanmış mandrellerin bir tehlike yaratmamasına özen gösterilmelidir.

1.7 GÜRÜLTÜ TEHLİKELERİ

- Yüksek gürültü seviyelerine maruz kalma, kalıcı düzeyde işitme kaybına ve kulak çınlaması (zil sesi, vınlama, kulaklarda ısıklı sesi veya uğultu) gibi diğer sorunlara neden olabilir. Bu nedenle, risk değerlendirmesinin yapılması ve bu tehlikeler için uygun kontrollerin uygulanması önemlidir.
- Riski azaltmak için uygun önlemler arasında iş parçalarının "ses çıkarmasını" engellemeye dönük ses yalıtım materyallerinin kullanımı gibi eylemler sayılabilir.
- İşverenin talimatlarına uygun olarak, iş sağlığı ve güvenliği yönetmeliklerinin gerektirdiği şekilde işitme koruması kullanın.
- Gürültü seviyesinde gereksiz bir artışı önlemek için aleti kullanım kılavuzunda tavsiye edildiği şekilde kullanın ve bakımını yapın.

1.8 TİTREŞİM TEHLİKELERİ

- Titreşime maruz kalmak sınırlarda hasara yol açabilir, ellere ve kollara olan kan akışını engelleyebilir.
- Soğuk yerlerde çalışırken sıcak giysiler giyin, ellerinizi sıcak ve kuru tutun.
- Cildinizde, parmaklarınızda veya ellerinizde uyuşukluk, karıncalanma, ağrı veya beyazlık varsa, aleti kullanmayı bırakın, işvereninize bildirin ve bir doktora danışın.
- Mümkünse, aletin ağırlığını bir stand, gergi mekanizması veya dengeleyici ile destekleyin, çünkü sonrasında aletin desteklenmesi için daha hafif bir kavrama kullanılabilir.

1.9 PNÖMATİK VE HİDROLİK ELEKTRİKLİ ALETLER İÇİN EK GÜVENLİK TALİMATLARI

- Çalıştırma hava beslemesi, 7 barı (100 PSI) aşmamalıdır.
- Basınçlı hava ciddi yaralanmalara neden olabilir.
- Aleti çalışır halde başı boş bırakmayın. Alet kullanılmadığında, aksesuarları değiştirmeden önce ya da onarımları yaparken hava hortumunu ayırın.
- Mandrel kollektörü hava çıkışının operatör veya diğer kişilere doğru yönelmesine izin VERMEYİN. Havayı asla kendinize veya başkasına yönlendirmeyin.
- Çarpan hortumlar ciddi yaralanmalara neden olabilir. Hortum ve bağlantı parçalarını hasar veya gevşeme açısından daima kontrol edin.
- Kullanmadan önce, hava hatlarında hasar olup olmadığını ve güvenli olduğunu kontrol edin. Hortumların üzerine ağır eşyalar koymayın. Keskin bir cisimle temas iç kısımda hasara ve hortumun erken arızalanmasına neden olabilir.]
- Soğuk hava ellerden uzağa yönlendirilmelidir.
- Üniversal kıvrımlı kaplinler (tırnaklı kaplinler) her kullanıldığında, kilit pimleri takılmalı ve muhtemel hortum ile alet veya hortum ile hortum arasında bağlantı arızasına karşı korunmak için emniyet kabloları kullanılmalıdır.
- Perçin yerleştirme aletini hortumundan KALDIRMAYIN. Her zaman yerleştirme aleti kavrama yerini kullanın.
- Havalandırma delikleri tıkanmamalı veya kapatılmamalıdır.
- Aletin hidrolik sisteminde kir ve yabancı madde birikmesine izin vermeyin, bu, aletin arızalanmasına neden olacaktır.
- Basınç altındaki yağ ciddi yaralanmalara neden olabilir.
- Kullanmadan önce, hidrolik hortumlarda hasar olup olmadığını inceleyin. Çalıştırmadan önce tüm hidrolik bağlantılar temiz, tam olarak takılı ve sıkı olmalıdır. Hortumların üzerine ağır eşyalar koymayın. Keskin bir temas iç hasara ve hortumun erken arızalanmasına neden olabilir.
- Güçlendirici ünitesini, hortumları kullanarak çekmeyin veya HAREKET ETTİRMEYİN. Daima ünitenin tutma yerini kullanın.
- Yalnızca temiz yağ ve doldurma ekipmanı kullanın.
- Yalnızca önerilen hidrolik sıvılar kullanılabilir.
- Hidrolik sıvının girişteki maksimum sıcaklığı 100°C'dir (212°F).

⚠ UYARI: Mandrellerin normal ve doğru kullanımı sonucunda doğal olarak az miktarda aşınma ve işaretlenme meydana gelse de, kafa çapına, şaftın kuyruk çene kavrama alanına veya şafttaki ağır çukurluğa ve herhangi bir mandrel distorsiyonuna özellikle dikkat ederek, aşırı aşınma ve işaretleme açısından düzenli olarak incelenmelidir. Kullanım sırasında sorun yaratan mandreller aletten hızla fırlayabilir. Mandrellerin aşırı düzeyde aşınmadan ve her zaman önerilen maksimum yerleştirme sayısından önce değiştirilmesini sağlamak müşterinin sorumluluğundadır. Uygulamanızın rayba yükünü, kalibre edilmiş ölçüm aletimizle ölçerek bu rakamın ne olduğunu size bildirecek olan STANLEY Engineered Fastening temsilcinize başvurun.

STANLEY Engineered Fastening politikası, sürekli ürün geliştirme ve iyileştirme çalışmalarından biridir ve herhangi bir bildirimde bulunmaksızın herhangi bir ürün özelliklerini değiştirme hakkımızı saklı tutarız.

2. ÖZELLİKLER

2.1 07536 ALETİ İÇİN TEKNİK ÖZELLİKLER

Hava Basıncı	Minimum - Maksimum	5-7 bar (70-100 lbf/in ²)
Gereken Serbest Hava Hacmi	@ 5,1 bar /75 lbf/in ²	2,6 litre (0,09 ft ³)
Strok	Minimum	25 mm (1 in)
Çekme Gücü	@ 5,5 bar /80 lbf/in ²	3,89 kN (875 lbf)
Döngü süresi	Yaklaşık olarak	1 saniye
Ağırlık	Tabanca	1,2 kg (2,64 lb)

2.2 07531 GÜÇLENDİRİCİ İÇİN TEKNİK ÖZELLİKLER

Hava Basıncı	Minimum - Maksimum	5-7 bar (70-100 lbf/in ²)
Güçlendirme Oranı		32:1

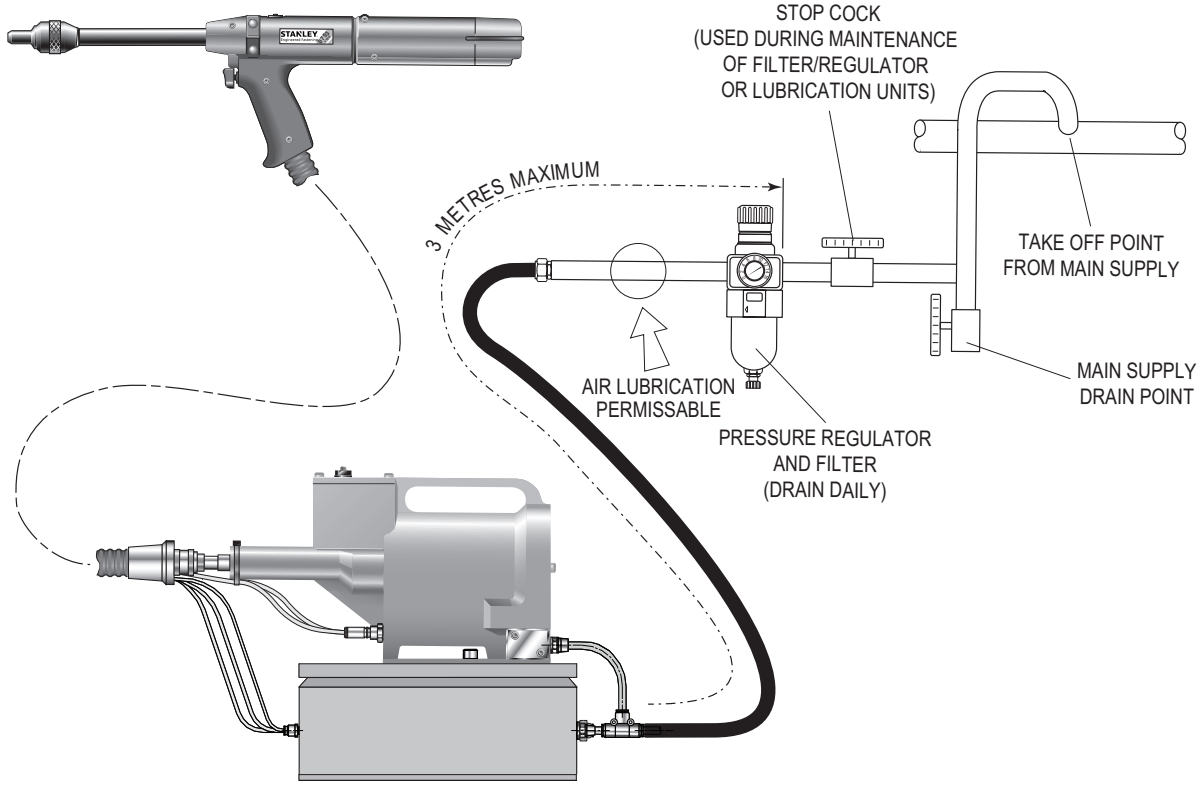
Gürültü testi kodu ISO 15744 ve ISO 3744 uyarınca belirlenmiş gürültü değerleri.		07536
A ağırlıklı ses gücü seviyesi dB(A), L_{WA}	Belirsiz gürültü: $k_{WA} = 2,3$ dB(A)	79,5 dB(A)
İş istasyonunda A ağırlıklı emisyon ses basıncı seviyesi dB(A), L_{pA}	Belirsiz gürültü: $k_{pA} = 2,3$ dB(A)	68,5 dB(A)
C-ağırlıklı tepe emisyon ses basıncı seviyesi dB(C), L_{pC} , tepe	Belirsiz gürültü: $k_{pC} = 2,5$ dB(C)	96,9 dB(C)
Titreşim test kodu ISO 20643 ve ISO 5349 uyarınca belirlenmiş titreşim değerleri.		07536
Titreşim emisyon seviyesi, a_{hd} :	Belirsiz titreşim: $k = 0,25$ m/s ²	0,97 m/s ²
EN 12096 uyarınca beyan edilen titreşim emisyon değerleri		

4. HİZMETE ALINMASI

4.1 HAVALI BESLEME

Tüm aletler, 5,5 bar optimum basınçlı hava ile çalışır. Ana hava beslemesinde basınç regülatörleri ve otomatik yağlama/filtreleme sistemlerinin kullanılmasını tavsiye ederiz. Maksimum alet ömrü ve minimum alet bakımı sağlamak için, bunlar aletin 3 metre yakınına takılmalıdır (aşağıdaki şemaya bakın).

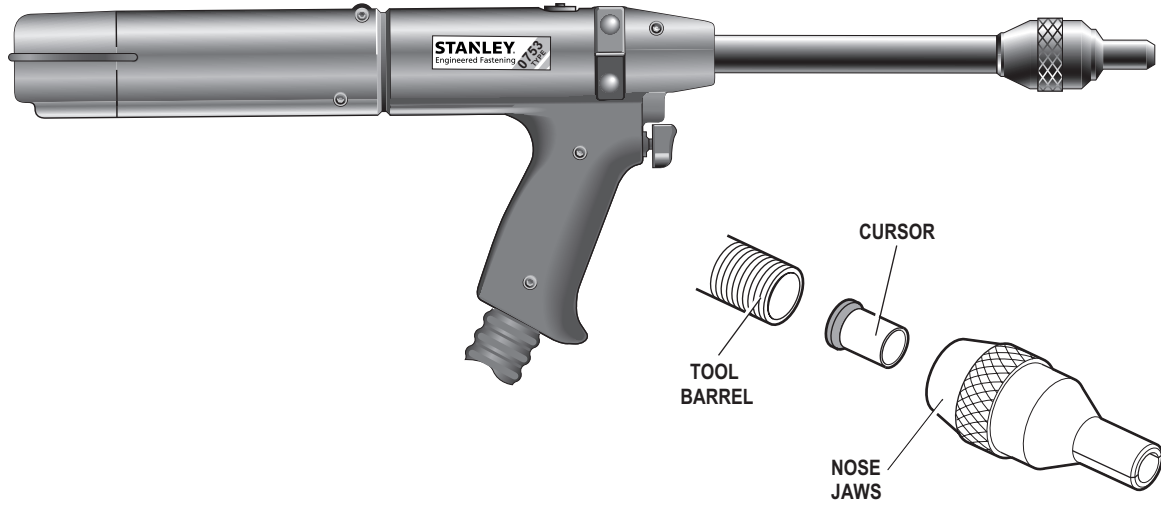
Hava besleme hortumlarının minimum etkin çalışma basıncı, hangisi daha yüksekse, en az sistemin ürettiği maksimum basıncın %150'si veya 10 bar olmalıdır. Hava hortumları, yağa dayanıklı, dış kısımları aşınmaya dirençli olmalı ve çalışma koşullarının hortumlarda hasara neden olabileceği yerlerde korumalı olmalıdır. Tüm hava besleme hortumlarının iç çapı minimum 6,4 milimetre veya 1/4 inç OLMALIDIR.



Aleti güçlendiriciye ve ana hava kaynağına bağlarken aşağıdaki adımları izleyin:

- Aletten gelen hidrolik hortumun geniş ucunu, güçlendiricinin ucundaki hızlı bağlama-çözme konektörüne itin.
- Güçlendiricinin ön yüzünde (Bkz. sayfa 389):
 - Mavi pnömatik (4mm Dış Çap) hattı, sol bölme sacı konektöründe bulunan redüktör bağlantısına itin.
 - Siyah pnömatik (4mm Dış Çap) hattı sağ bölme sacı konektörünün plastik halkasına itin.
- Kumanda kutusunun ön yüzünde (Bkz. sayfa 389):
 - Gümüş pnömatik (3mm OD) hattını kumanda kutusunun - Sol taraf ön yüzündeki 'Sürgü' etiketli redüktörün içine itin.
 - Yeşil pnömatik (4mm OD) hattını kumanda kutusunun - orta taraf, ön yüzündeki 'Kuyruk Çeneleri' etiketli redüktörün içine itin.
 - Beyaz pnömatik (4mm OD) hattını kumanda kutusunun - Sağ taraf ön yüzündeki 'Sinyal' etiketli redüktörün içine itin.
- Güçlendiricinin arkasındaki erkek konektör ile ana hava kaynağı arasına bir pnömatik hortum takın.

4.2 HAVALI SÜRGÜLER



Havalı Sürgü Seçimi

Burun montajı bileşenleri için ayrı veri sayfası 07900-00863'e bakın.

SÜRGÜ

ÖNEMLİ

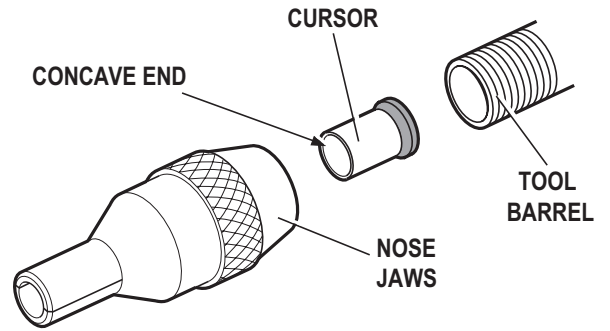
Yanlış takılırsa, sürgü, aletin yüklenmesine ve perçinlerin beslenmesine izin vermez.

Alet satışı sunulduğunda sürgü doğru şekilde takılsa da, burun ekipmanını takmadan önce yönünü kontrol etmenizi öneririz. Sürgünün hafif içbükey ucu şekilde gösterildiği gibi aletin ön tarafına bakıyor olmalıdır.

Sürgünün yönünü tersine çevirmek için şu adımları izleyin:

Aşağıdaki prosedürü gerçekleştirirken son derece dikkatli olunmalıdır. Namlu ve çıkıntı yapan mandrelden kaçınmak için özen gösterilmelidir.

- Varsa Burun Tertibatını çıkarın.
- Boş bir mandreli tamamen alete sokun.
- Kuyruk Çenelerini **32** kapatmak için kuyruk çene anahtarını (parça **18** ve **19**) açın.
- Kısa bir gecikmeden sonra sürgü namludan dışarı çıkacaktır.
- Kuyruk Çenelerini **32** açmak için kuyruk çene anahtarını (parça **18** ve **19**) kapatın, bu işlem mandreli serbest bırakır.
- Sürgüyü mandrelden çıkarın ve namluya yerleştirin.



4.3 ALETİN DOLDURULMASI VE YENİDEN DOLDURULMASI

ÖNEMLİ

Aleti yükleme ve uç ekipmanının alete takılması prosedürü ayrılmaz bir bütündür.

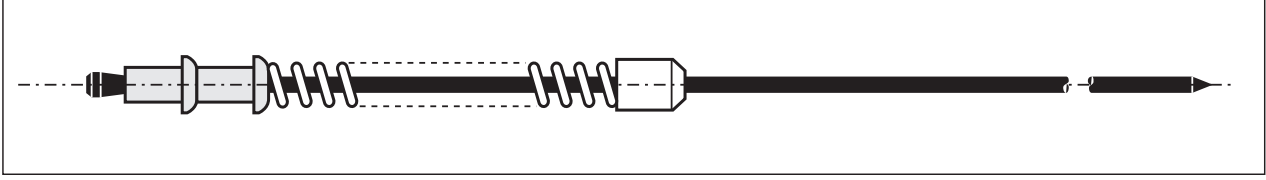
Komple bir alet veya sistem sipariş ettiğinizde, normalde, perçinin yerleştirilmesi için gereken tüm burun ekipmanı ürün ile birlikte verilecektir.

Size bir burun çenesi verildiyse, mandreller ve mandrel takip yayları, aşağıda gösterildiği gibi aletin doldurulması ve burun ekipmanının takılması ile devam eder.

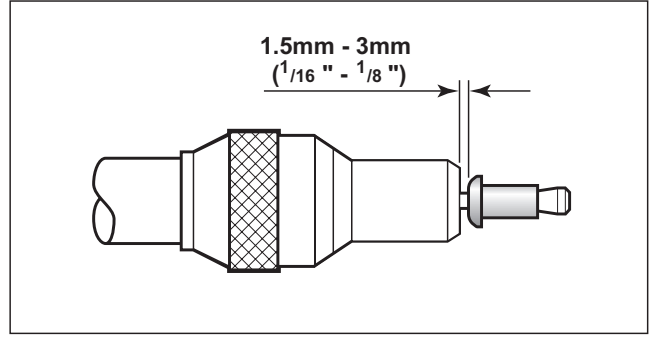
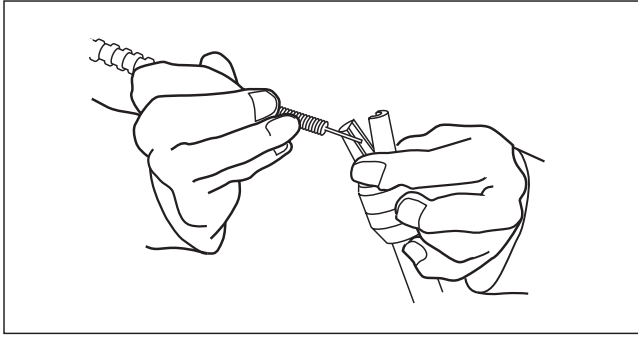
Koyu yazılan parça numaraları, 07536-02200 model alet için genel montaj çizimine ve parça listesine atıfta bulunur, bkz. sayfa 392-393.

Aletin Doldurulması

- Hava beslemesini alete takın.
- Kuyruk çene anahtarını kapatarak (parça **18** ve **19**) mandreli kavrayan Kuyruk Çenelerini **32** açın.
- Seçilen burun çenelerini aletin Namlusuna **44** vidalayın.
- * Kağıt bölmesinden perçinlerin kuyruk ucuna bir mandrel yerleştirin.
- Mandrel takip yayını doğru yöne dikkat ederek mandrel üzerine kaydırın.



- Mandrenin kuyruk ucunu kavrayarak, kağıt bölmesini perçinlerin etrafından yırtın.
- Burun çenelerini, Kam tarafından çalıştırılan çenelerin dış halkasını döndürerek veya aşağıda gösterildiği gibi çene uçlarını dışarı doğru iterek açın.
- Önceden monte edilmiş mandreli, mandrel takip yayını ve bağlantı elemanlarını, yerleştirilecek ilk bağlantı parçası burun çenesinden dışarı çıkana kadar burun çenelerine sokun.
- Burun çenelerini kapatın ve aşağıdaki sağdaki resimde gösterildiği gibi ilk perçin 1,5mm - 3mm ($1/16''$ - $1/8''$) çıkacak şekilde ayarlayın.
- Mandrelin kavrandığından emin olmak için kuyruk çene anahtarını açarak (parça **18** ve **19**) Kuyruk Çenelerini **32** kapatın.

**Aletin Yeniden Doldurulması**

- Kuyruk çenelerini kapatarak (parça **18** ve **19**) aletin Kuyruk Çenelerini **32** açın.
- Burun çenelerini açın ve boş mandreli ve mandrel takip yayını aletten dışarı çekin.
- Yukarıdaki talimatları şu aşamadan itibaren takip ederek aleti yeniden yükleyin •*.

Aletin Ayarlanması - Yalnızca Ayarlanabilir Burun Tertibatları İçin

Önceden monte edilmiş mandreli (bkz. Aletin Doldurulması •*) veya tek kullanımlık mandreli Kuyruk Çenesi Piston Tertibatı **60** içindeki durdurucuya yerleştirin.

Bir yandan mandreli tutarken, kuyruk çene anahtarını açarak (parça **18** ve **19**) mandreli kavrayan Kuyruk Çenelerini **32** kapatın.

Kilit somununu aletin Namlusuna **44** vidalayın.

Burun tertibatını Namluya **44** çevirin.

Burun tertibatını ayarlayın ve aşağıdaki sağdaki resimde gösterildiği gibi, ilk perçin 1,5mm-3mm ($1/16''$ - $1/8''$) çıkacak şekilde ayarlayın, sayfa 385.

Burun çene tertibatının hareket etmesini önlemek için kilit somununu burun tertibatına doğru sıkın.

Koyu yazılan parça numaraları, 07536-02200 model alet için genel montaj çizimine ve parça listesine atıfta bulunur, bkz. sayfa 392-393.

Aletin Yeniden Doldurulması

Kuyruk çenelerini kapatarak (18-19) aletin kuyruk çenelerini açın.

Çeneleri açın ve boş mandreli ve takip yayını aletten dışarı çekin.

Yeni mandreli de içindeki durdurucuya dayayın ve kuyruk çene anahtarını açarak (parça 18 ve 19) mandreli kavrayan Kuyruk Çenelerini 32 kapatın.

Kuyruk Çenelerini 32 kapatın.

4.4 ÇALIŞTIRMA PROSEDÜRÜ**ÖNEMLİ**

Aleti çalıştırmadan önce sürgü yönünün ve uç ekipmanının doğru olduğunu kontrol etmelisiniz.

- Perçini burun çenelerinden dışarı taşıyacak şekilde uygulama deliklerine tam olarak iterek aletin kare olmasını sağlayınız.
- Tetiği serbest bırakmadan çalıştırın - mandrel başı, perçinin içinden çekilerek perçini uygulamanın içine yerleştirir.
- Aleti çıkartın.
- Tetik düğmesini bırakın. Bir sonraki perçin, yerleştirmeye hazır olarak burun çenelerinden otomatik olarak sunulacaktır.

5. ALET BAKIMI

Her yıl veya her 500.000 döngüde bir (hangisi önce gerçekleşirse) düzenli bakım ve kapsamlı bir muayene yapılmalıdır.

ÖNEMLİ

Alet bakım talimatlarının uygun personele verilmesini sağlamaktan işveren sorumludur. Operatör, uygun şekilde eğitim almadığı sürece aletin bakım veya onarımına dahil olmamalıdır.

5.1 PNÖMATİK KUMANDA KUTUSU

ÖNEMLİ

Hiçbir koşulda pnömatik kutu açılmamalıdır. Kutu kapalı bir parçadır. Dahili ayarlar önceden yapılmıştır ve asla değiştirilmemeli veya kurcalanmamalıdır. Bu kumanda kutusunu yalnızca Yetkili STANLEY Engineered Fastening personeli sökebilir.

⚠ DİKKAT: Aletin metalik olmayan parçalarını temizlemek için asla çözücü veya başka sert kimyasal kullanmayın. Bu kimyasallar bu parçalarda kullanılan malzemeleri güçsüzleştirir.

5.2 GÜNLÜK

- Her gün, aleti ilk kez kullanmadan veya kullanıma açmadan önce. Hava kaynağında yağlayıcı yoksa güçlendiricinin hava girişine birkaç damla temiz ve ince alıştırma yağı dökün. Alet devamlı olarak kullanılacaksa, hava hortumu temel hava kaynağından çıkarılmalı ve alet iki ila üç saatte bir yağlanmalıdır.
- Hava ve yağ kaçaklarını kontrol edin. • Hasar görmüş hortumlar ve kaplinler değiştirilmelidir.
- Basınç regülatöründe filtre yoksa, hortumu güçlendiriciye bağlamadan önce biriken su ve kirin temizlenmesi için hava hattına kuvvetlice üfleyin. Filtre varsa, boşaltın.
- Burun ekipmanının doğru olduğunu kontrol edin.
- Yerleştirme sayısını izleyerek mandrelleri aşınma veya hasar belirtileri açısından düzenli olarak kontrol edin (güvenlik talimatlarını okuyun, sayfa 378-380).

5.3 HAFTALIK

- Yukarıda açıklandığı gibi tüm "Günlük" prosedürleri gerçekleştirin.
- Kuyruk Çenelerini çıkarın, inceleyin, temizleyin ve gresleyin ("Bakım Bölümü" içerisinde yer alan "Kuyruk Çene Silindiri" kısmına bakın, bkz. Sayfa 390).
- Güçlendirici Ünite haznesindeki yağ seviyesinin şeffaf kapak plakasının yaklaşık 12 mm (1/2") altında olduğunu kontrol edin.

5.4 MOLY LITHIUM GREASE EP 3753 GÜVENLİK VERİLERİ

Gres tek başına sipariş edilebilir, parça numarası Servis Kitinde gösterilir, bkz. sayfa 388.

İlk Yardım

CİLT:

Gres tamamen suya dayanıklı olduğu için onaylı bir emülsifiye edici cilt temizleyiciyle tamamen çıkartılmalıdır.

YUTMA:

Maruz kalan kişinin 30ml Magnezyum Sütü içmesini sağlayın.

GÖZLER:

Tahriş eder fakat zararlı değildir. Su ile yıkayın ve tıbbi yardım alın.

Yangın

PARLAMA NOKTASI: 220°C üzeri.

Yanıcı olarak sınıflandırılmamıştır.

Uygun yangın söndürme aracı: Deneyimli bir operatör tarafından uygulandığı takdirde CO₂, Halon veya su püskürtme.

Çevreyi Koruma

Onaylı bir tesiste yakma ya da bertaraf etme için hurdaya ayırın.

Elleçleme

Koruyucu krem veya yağa dayanıklı eldiven kullanın.

Saklama

Isıdan ve oksitleyici maddelerden uzak tutun.

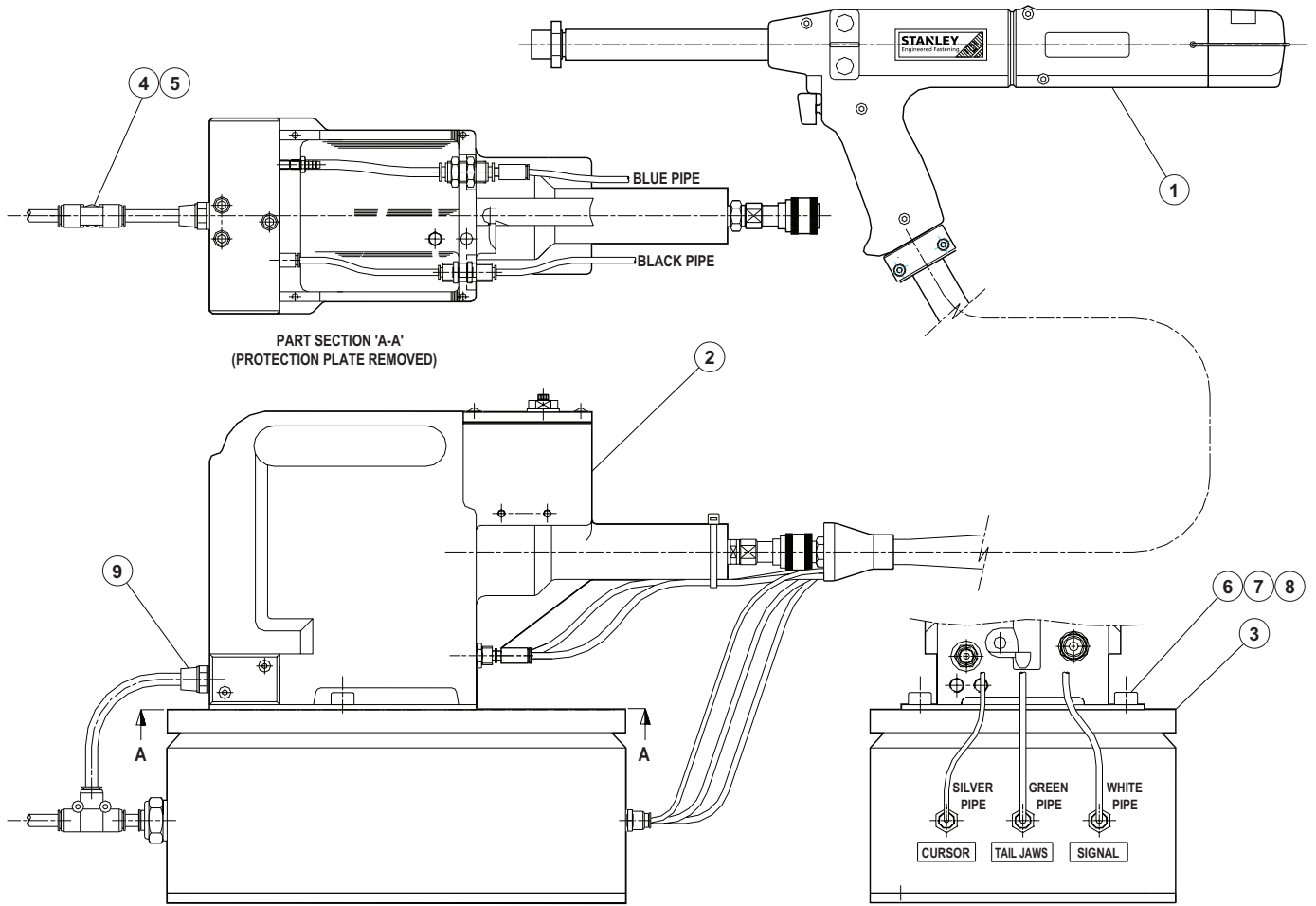
5.5 SERVİS KİTİ

Tüm servis işlemleri için Servis Kitinin kullanılmasını öneririz (parça numarası 07900-05300).

SERVİS KİTİ					
ÖĞE PARÇA NO	AÇIKLAMA	N° KAPALI	ÖĞE PARÇA NO	AÇIKLAMA	N° KAPALI
07900-00157	SEGMAN PENSESİ	1	07900-00352	CONTA SÖKME KANCASI	1
07900-00006	SPATULA	1	07900-00710	NAMLU TAPASI ÇIKARMA ANAHTARI	1
07900-00446	EKSTRAKTÖR	1	07900-00725	TOPUZ	1
07900-00603	NAMLU MENGENE ÇENELERİ	1	07900-00243	TORNAVİDA	1
07900-00520	3/8" ÇUBUK	1	07900-00717	GÜÇLENDİRİCİ ANAHTARI	1
07900-00521	1/4" ÇUBUK	1	07900-00013	1/8" ALYAN ANAHTARI	1
07900-00602	'O' HALKA MONTAJ TOPUZU	1	07900-00617	LOCTITE® ÇOKLU CONTA 574 50ml PAKET	1
07900-00595	18mm ANAHTAR	1	07900-00469	2,5mm ALYAN ANAHTARI	1
07900-00434	32mm ANAHTAR	1	07900-00351	3mm ALYAN ANAHTARI	1
07900-00237	3/8" × 5/16" B.S.W. ANAHTAR	1	07900-00224	4mm ALYAN ANAHTARI	1
07900-00012	9/16" × 5/8" ANAHTAR	1	07900-00225	5mm ALYAN ANAHTARI	1
07900-00008	7/16" × 1/2" ANAHTAR	1	07992-00020	80g TIN MOLY LITHIUM GRES EP 3753	1

Not: Anahtar boyutları, aksi belirtilmedikçe 'daireler arası genişlik' olarak ölçülür.

5.6 HAVALI SÜRGÜ ALET, GÜÇLENDİRİCİ VE KUMANDA KUTUSU TERTİBATI 07536-02100



ÖGE	PARÇA NO	AÇIKLAMA	No KAPALI
1	07536-02200	HAVALI SÜRGÜLÜ EL ALETİ	1
2	07531-02200	GÜÇLENDİRİCİ ALET	1
3	07007-02024	HAVALI SÜRGÜLÜ KUMANDA KUTUSU	1
4	07005-10071	T KONEKTÖR	1
5	07005-10072	8 MM BORU (2,50 m)	1
6	74405-12080	MODİFİYE M8 NUTSERT PERÇİN SOMUNU	8
7	07001-00469	M8 × 15 SOKET BAŞLI KAPAK VİDASI	2
8	07002-00105	M8 PUL	4
9	07005-01573	ERKEK KONEKTÖR 8MM BORU	1
10	07005-01977	ERKEK/DİŞİ REDÜKTÖR 6MM /4MM	1

6. BAKIM

Her yıl veya her 500.000 döngüde bir, alet tamamen sökülmesi ve aşınmış ve hasar görmüş parçaların yerine veya önerildiğinde yeni parçalar kullanılmalıdır. Tüm 'O' halkaları ve contaları, montajdan önce yenilenmeli ve Moly Lithium EP 3753 gresle yağlanmalıdır.

ÖNEMLİ

Güvenlik Talimatları için bkz. sayfa 4.

Alet bakım talimatlarının uygun personele verilmesini sağlamaktan işveren sorumludur. Operatör, uygun şekilde eğitim almadığı sürece aletin bakım veya onarımına dahil olmamalıdır.

Aksi özellikle belirtilmedikçe, herhangi bir servis bakımı veya sökme girişiminden önce hava kaynağının bağlantısı kesilmelidir.

Herhangi bir sökme işleminin temiz koşullarda yapılması tavsiye edilir.

Aleti sökmeden önce burun ekipmanını çıkarmanız gerekir.

Toplam alet bakımı için, hidrolik hortumu güçlendirici üniteden ve hava borularını güçlendiriciden ve kumanda kutusundan ayırdıktan ve böylece tabanca ünitesini güçlendirici üniteden ayırdıktan sonra, alt tertibatların aşağıda gösterilen sırayla sökülmesine devam etmenizi tavsiye ederiz.

Çalışma süreçleri sonucunda makinede birikmiş olabilecek potansiyel olarak tehlikeli maddeler, bakımdan önce temizlenmelidir.

6.1 DEMONTE ETME 07536-02200

KUYRUK ÇENE SİLİNDİRİ

- Kavrayıcı Klipsi **53** manuel olarak yukarı çevirin ve Uç Kapağı **59** çıkartın.
- Kuyruk çene silindirinde sıkışan havanın boşaldığından emin olarak bir Uç Kapak Vidasını **6** Alyan Anahtarıyla* sökün. İkinci Kapak Başlı Vidayı **6** çıkarın.
- Arka Tapayı **50** dışarı doğru çekin. **Not:** Çıkarmaya yardımcı olmak için tapanın arka yüzünde 5 mm'lik bir diş vardır.
- Kuyruk Çenesi Piston Tertibatı **60**, Durdurucu **52**, 'O' Halka **12** ve Çenelerden **32** oluşan hava kuyruk çenesi bileşenlerini çekin.
- Yay **36** ve Çene Muhafazasından **42** oluşan diğer bileşenleri çıkarın.
- Yayın **36** serbest uzunluğu 38,1 mm (1,5") olmalıdır. Gerekirse değiştirin.
- Piston tertibat contası 'O' Halkasını **11** çıkarın.
- Havalı Sürgü Concertina Borusunu (Yeşil) **49** Dirsek Konektöründen **22** ayırın.
- Havalı Sürgü Concertina Borusunu (Gümüş) **38** Çengelli Dirsekten **30** ayırın.
- Bir Alyan Anahtarı* kullanarak, vidaları **3**, **4** ve dört Somunun **8** tümünü sabitleyen beş tutamak kalıbının hepsini alet tutamağından çıkarın.
- Hasarı önlemek için Namluyu **44** yumuşak çeneler kullanarak bir mengenede tutun.
- Bir lokma anahtarı* kullanarak, Namlu Tapasını **46** sökün, açık uçlu bir anahtar* kullanarak Namlunun **44** dönmesini önleyin.
- Kuyruk Çene Silindirini **47** aletten çekin.
- 'O' Halkası **14**, Sürtünme Şeridi **41** ve Namlu Geri Dönüş Yayını **37** çıkarın.
- Montajdan önce Kuyruk Çenelerinin **32** Çene Muhafazası **42** ile temas edecek yerleri Moly Lityum gres ile kaplayın.
- Demontaj işlemine göre tersi sırayla geri monte edin.

HİDROLİK PİSTON

- Kuyruk Çene Silindirini **47** daha önce açıklandığı gibi çıkarın.
- Hasarı önlemek için Gövdeyi **45** yumuşak çeneler kullanarak bir mengenede tutun, Strok Sınırlayıcıyı **40** sökün.

* 0753 MkII Servis Kitinde bulunan öğeleri ifade eder. Tam liste için bkz. sayfa 388.

Koyu yazılan parça numaraları genel montaj mekanizmalarını ve parça listesini ifade eder, bkz. sayfa 392-393.

- Bir Alyan Anahtarı* kullanarak, Anahtar Bloğunu **54** Namluya **44** kenetleyen Vidayı **5** gevşetin.
- Aleti sıkıca tutun ve Namluyu **44** Gövdeden **45** çekin (kafa tertibatının içinden az miktarda hidrolik yağ çıkabilir).
- Kafa deliğine zarar vermemek için Pistonu **39** dikkatlice çıkarın.
- Contayı **16** çıkartın.
- Contanın **17** zarar vermeden çıkarılması zordur, fakat temizlik sırasında yerinde kalabilir (temizleme işleminden etkilenmemesi şartıyla). Bununla birlikte, Contanın **17** yenilenmesi gerektiriyorsa, aşağıdaki işlemle devam edin:
- Spatula* kullanarak, gövde boşluğuna ve deliklere zarar vermemeye dikkat ederek, Contayı **17** Gövdeden **45** çıkarın. Çıkartılan conta **17** ATILMALIDIR.
- Contayı **17** değiştirmek için, Boşaltma Tapası Tertibatını **43** iç yüz Gövdenin **45** iç deliği ile aynı hizaya gelene kadar sökün. Bu, yeni bir Contanın **17** Gövdenin **45** arkasından yerleştirilmesi için düzgün bir geçiş sağlayacaktır.
- Contanın **17** iyi yağlandığından ve contanın açık ucu arka kuyruk çenelerine bakacak şekilde doğru yönde olduğundan emin olun.
- Montaj işlemini demontaj prosedürüne göre tersi sırayla tamamlayın.

TETİK MEKANİZMASI

- Mekanizma montaj grubunu sökmek/bakımını yapmak için, daha önce açıklandığı gibi aletten kapakları çıkarın.
- Hasar vermemeye dikkat ederek tüm hava hortumlarını montaj grubundan ayırın. Montaj grubunu sökün.
- Bir anahtar* kullanarak Tutucunun **34** vidalarını çıkartın ve sökün. Yay **31** yerinde turmaya dikkat edin.
- 'O' Halkayı **10** çıkartın, bunu yaparken Yay 35 ve Tutucu **34** yataklarına zarar vermemeye dikkat edin.
- Temizleyin ve yeni bir 'O' Halka **10** kullanarak geri takın.
- Yay **31** uzunluğunu 12,7mm (0.5") serbest uzunlukta olduğundan emin olacak şekilde kontrol edin – gerekirse değiştirin.
- Demontaj işlemine göre tersi sırayla monte edin.

KUYRUK ÇENE AÇMA/KAPAMA VALFİ

- Bu ünite, aletin ömrü boyunca minimum bakım gerektirecek şekilde tasarlanmıştır.
- Valfi sökmek gerekirse, aşağıdaki işlemleri yapın:
- Tetik Muhafazasını **56** "Hidrolik Piston" bölümünde açıklandığı gibi çıkarın.
- Bir tornavida* kullanarak, Krom Star-lock Pulu **18** Hava Kuyruk Çene Makarasından **55** dikkatlice çıkarın ve pulu atın.
- Hava Kuyruk Çene Makarasını **55** Anahtar Bloğundan **54** çıkarın.
- Hava Kuyruk Çene Makarasına **55** zarar vermemeye dikkat ederek, 'O' Halkalarını **12** çıkarın.
- Makarayı temizleyin ve montaj topuzunu* kullanarak yeni 'O' Halkaları **12** yeniden takın ve yönünü dikkate alarak Anahtar Bloğuna **54** yerleştirin.
- Hasarı önlemek için bir yumuşak çeneli mengenyeyi kullanarak Yeni Krom Star-lock Pulu **18** takın. GEREKSİZ GÜÇ KULLANMAYIN.
- Montaj işlemini demontaj prosedürüne göre tersi sırayla tamamlayın.

KOL & UÇ KAPAĞI

- Kalıpları temizleyin ve çatlaklar veya diğer hasarlar için inceleyin.

SÜRGÜ

- Sürgü grubunu arada bir temizleyin ve hafif yağ ile yağlayın.

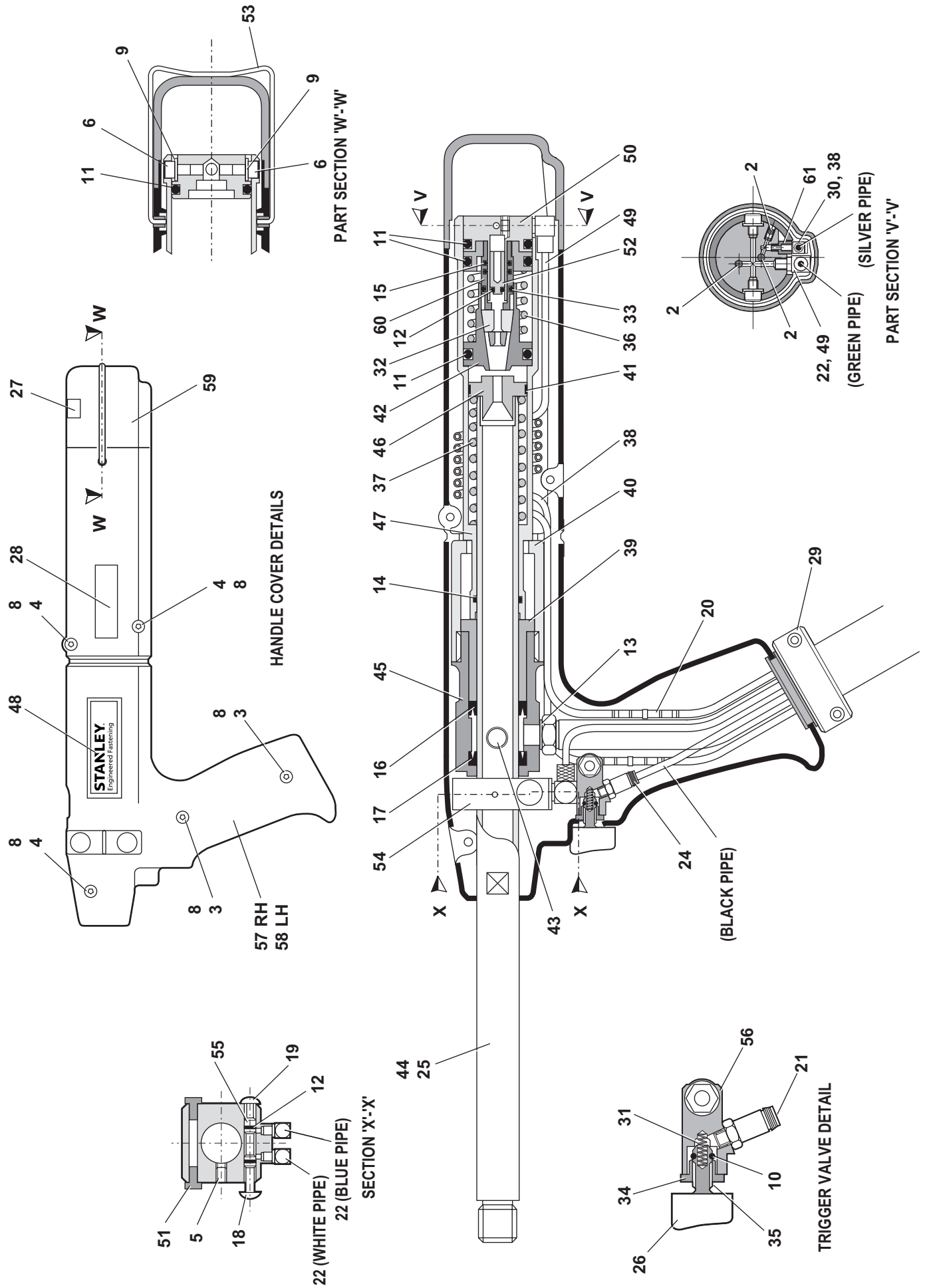
ÖNEMLİ

**Aleti günlük ve haftalık bakım çizelgesine göre kontrol edin.
Alet söküldükten sonra ve çalıştırmadan önce HER ZAMAN hazırlama gereklidir.**

* 0753 MkII Servis Kitinde bulunan öğeleri ifade eder. Tam liste için bkz. sayfa 388.

Koyu yazılan parça numaraları genel montaj mekanizmalarını ve parça listesini ifade eder, bkz. sayfa 392-393.

6.2 TABAN ALETİNİN GENEL KURULUMU 07536-02200



6.3 TABAN ALETİ PARÇA LİSTESİ 07536-02200

07536-02200 PARÇA LİSTELERİ										
ÖGE	PARÇA NO	AÇIKLAMA	MIKTAR	YEDEK	ÖGE	PARÇA NO	AÇIKLAMA	MIKTAR	YEDEK	YEDEK
1	07007-00392	KABLO BAĞI (GÖRÜNMEMEKTEDİR)	1	-	34	07220-00803	TUTUCU	1	-	-
2	07001-00499	M3 x 5 UZUN SOKET AYAR VIDASI	3	-	35	07241-00208	MİL	1	-	-
3	07001-00262	M4 x 22 UZUN SOKET BAŞLI KAPAK VIDASI	1	-	36	07154-00404	YAY	1	-	-
4	07001-00401	M4 x 10 UZUN SOKET BAŞLI KAPAK VIDASI	4	-	37	07490-03002	NAMLU DÖNÜŞ YAYI	1	-	-
5	07001-00404	M5 x 6 UZUN SOKET BAŞLI AYAR VIDASI	1	-	38	07536-02211	3MM HAVALI SÜRGÜ CONCERTINA BORU - GÜMÜŞ	1	-	-
6	07001-00504	M4 x 6 UZUN SOKET BAŞLI KAPAK VIDASI	2	2	39	07536-00203	PİSTON	1	-	-
7					40	07530-00204	STROK SINIRLAYICI	1	-	-
8	07002-00134	M4 ALTIĞEN SOMUN	4	-	41	07530-00206	SÜRTÜNME ŞERİDİ	1	1	1
9	07002-00153	M4 PUL [PLASTİK]	2	-	42	07536-00208	ÇENE MUHAFAZASI	1	-	-
10	07003-00022	'O' HALKASI	1	-	43	07530-00500	BOŞALTIMA TAPASI DÜZENLEĞİ [PARÇA 62 - 65]	1	-	-
11	07003-00113	'O' HALKASI	3	3	44	07536-02201	NAMLU	1	-	-
12	07003-00121	'O' HALKASI	3	3	45	07530-02202	GÖVDE	1	-	-
13	07003-00142	1/8" BSP BAĞLAYICI CONTA	1	1	46	07530-02205	NAMLU TAPASI	1	-	-
14	07003-00167	'O' HALKASI	1	1	47	07536-02207	KUYRUK ÇENE SİLİNDİRİ	1	-	-
15	07003-00386	'O' HALKASI	2	-	48	07530-02210	ETİKET	2	-	-
16	07003-00236	CONTA [DİNAMİK]	1	1	49	07536-02212	4MM HAVALI SÜRGÜ CONCERTINA BORU - YEŞİL	1	-	-
17	07003-00237	CONTA [STATİK]	1	-	50	07536-02213	ARKA TAPA	1	-	-
18	07004-00058	1/8" STARLOCK PUL KROM	1	-	51	07530-00310	KÖRLEME TAPASI	2	-	-
19	07004-00059	1/8" STARLOCK PUL SIYAH	1	-	52	07536-02214	DURDURUCU	1	-	-
20	07005-10073	3MM KONEKTÖR	1	-	53	07530-02220	KLIPS	1	-	-
21	07005-01357	HALKA TİP KONEKTÖR	1	-	54	07530-02301	ANAHTAR BLOĞU	1	-	-
22	07005-01571	DIRSEK KONEKTÖR	3	-	55	07530-02302	HAVA KUYRUK ÇENE MAKARASI	1	-	-
23	07536-02216	KİLİT SOMUNU	1	-	56	07530-02311	TETİK MUHAFAZASI	1	-	-
24	07005-10074	2MM KONEKTÖR	1	-	57	07536-02601	TUTAMAK KALIP TERTİBATI SAĞ	1	-	-
25	07007-00017	TOZ KAPAĞI	1	-	58	07536-02602	TUTAMAK KALIP TERTİBATI SOL	1	-	-
26	07007-00300	TETİK DÜĞMESİ	1	-	59	07530-02603	UÇ KAPAĞI	1	-	-
27	73200-02022	GÜVENLİK ETİKETİ	1	-	60	07536-02800	KUYRUK ÇENE PİSTON TERTİBATI	1	-	-
28	07007-01504	CE İŞARETİ ETİKETİ	1	-	61	07536-02215	RAKOR ADAPTÖRÜ	1	-	-
29	07008-00438	ESNEK HORTUM TERTİBATI	1	-	62	07003-00142	● BAĞLAYICI CONTA (GÖRÜNMEMEKTEDİR)	1	1	1
30	07005-01323	M3 ÇENGELLİ DIRSEK	1	-	63	07003-00194	● BAĞLAYICI CONTA (GÖRÜNMEMEKTEDİR)	1	1	1
31	07125-00215	YAY	1	-	64	07001-00442	● VIDA (GÖRÜNMEMEKTEDİR)	1	1	1
32	07151-00403	KUYRUK ÇENELER	1	2	65	07530-00501	● TAPA (GÖRÜNMEMEKTEDİR)	1	-	-
33	07003-00016	'O' HALKASI	1	-						

6.4 DEMONTAJ TALİMATLARI

- Güçlendirici düzeneğini sökerken, önce güçlendirici giriş Konnektörüne **22** giden hava besleme hortumunu ayırın.
- Bir Alyan Anahtarı* kullanarak dört Vidayı **27** sökün ve Koruyucu Plakayı **24** çıkartın.
- Dış halkayı bastırarak ve hortumu çekerek, tetik hortumunu **47** Güçlendirici Valfi **43** veya **48** seçeneğinden ayırın.
- Kapak Plakası **4** ve Contayı **35** sökün, bunun için önce Vidaları **37** ve ardından Rondelaları **36** Alyan Anahtarı* kullanarak çıkartın.
- Düzenekte yeterli sızdırmazlık sağlamak için contanın hasar görmediğinden emin olun.
- Güçlendirici düzeneğini ters çevirin ve haznedeki yağı uygun bir kaba boşaltın.
- Hızlı Bağlama-Çözme Konektörünü **32** Konektör **31** ve Contalar **33** ile birlikte, uygun bir anahtar* kullanarak sökün.
- Sabitleme vidalarını uygun bir anahtarla* sökerek Güçlendirici Valfini **43** veya **48** çıkartın, Güçlendirici Gövde Muhafazasında bulunan 'O' Halkayı **21** yerinde tutmaya özen gösterin.
- Uygun bir Alyan Anahtarı* kullanarak Vidayı **19** sökün, Susturucu Kapağı **16**, Köpük Susturucu **15**, Aralık Parçası **18** ve Tutma Plakasını çıkartın **20**.
- 6 mm Plastik Boruyu **41** Vakum Konektörlerinden **42** çekerek çıkartın.
- 3 mm Alyen Anahtarını* Güçlendiricinin tabanındaki iki delikten geçirin ve Vakum Konektörlerini **42** sökün. Not:
 - Vakum konektörleri Loctite® 574 kullanılarak yerine kilitlenip mühürlendiğinden dikkatli olunmalıdır.
 - Çıkarılması zorsa, vakum konektörleri 3/16" veya 4,7 mm çapında bir matkap kullanılarak delinebilir.
- Vakum Konektörlerini **42** yerine geri takmak için aşağıdaki prosedür uygulanmalıdır: -
 - Vakum konektörlerini örn. Perma Bond A905 gibi uygun bir astara batırın
 - Güçlendirici dişli deliğine bir damla Loctite® 574 koyun.
 - Alyen Anahtarını* Güçlendiricinin tabanından deliğe doğru geçirin. Vakum konektörüne takmadan önce Alyan Anahtarının* Loctite® 574 içermediğinden emin olun.
 - Loctite® 574'ü vakum konektörünün tabanına uygularken Alyan Anahtarını çevirin.
 - Vakum konektörünü güçlendiriciye vidalayın, bağlantının tabanında dış görünmeyecek şekilde yeterli Loctite® 574 olduğundan emin olun.
- Bir tornavida kullanarak, dahili Tutma Halkasını **14** dikkatlice çıkartın. Oluğu temizleyin ve hasar belirtisi açısından inceleyin.
- Bir Ekstraktör* kullanarak, erkek dişli ucu Uç Kapağına **12** takın ve onu Güçlendirici Manşonu **28** ve 'O' Halkaları **10** ve **13** boyunca çekin.
- Çubuğu* yoğunlaştırıcı gövdesinin önündeki konektör ağzından geçirin ve Piston Çubuğu **9** ve Piston Düzeneğine hafifçe vurun.
- Uygun bir Alyan Anahtarı* kullanarak iki Vidayı **25** sökün ve Uç Kapağı **12** Güçlendirici Manşonundan **28** çıkartın.
- Conta Tapasını **7** anahtarla* çıkartın.
- Çubuğu* güçlendirici gövdesinin önündeki konektör ağzından geçirin ve Conta Muhafazasını **5** ve ilgili 'O' halkalarını ve dudak tipi contaları dışarı doğru itin.
- Uygun bir anahtar* kullanarak Valf Yuva Düzeneğini **34** ana gövdeden çıkartın. Düşük basınçlı hava üfleyici ile üfleyerek temizleyin.
- Çalışma yüzeyine zarar vermemeye veya çizmemeye dikkat ederek, çubuğun ilk 20 mm'sini (3/4") yumuşak çenelerle donatılmış bir mengeneyle kavramak suretiyle Piston Çubuğunu **9** güçlendirici Hava Pistonundan **11** çıkartın.
- Uygun bir anahtar* kullanarak Kilit Somununu **17** sökün*.
- Aşağıdakilere dikkat ederek sökme sırasının tersini izleyip monte edin:
- Tüm parçaları temizleyin ve tüm 'O' halkalarını yenileyin.
- Moly Lityum gres kullanarak tüm contaları yağlayın.
- Valf Yuva Düzeneği **34** bir dişli sızdırmazlık yapıştırıcısı kullanılarak yeniden takılmalıdır.

* 0753 MkII Servis Kitinde bulunan öğeleri ifade eder. Tam liste için bkz. sayfa 388.

Koyu yazılan öğe numaraları yandaki çizime ve parça listesine atıfta bulunur.

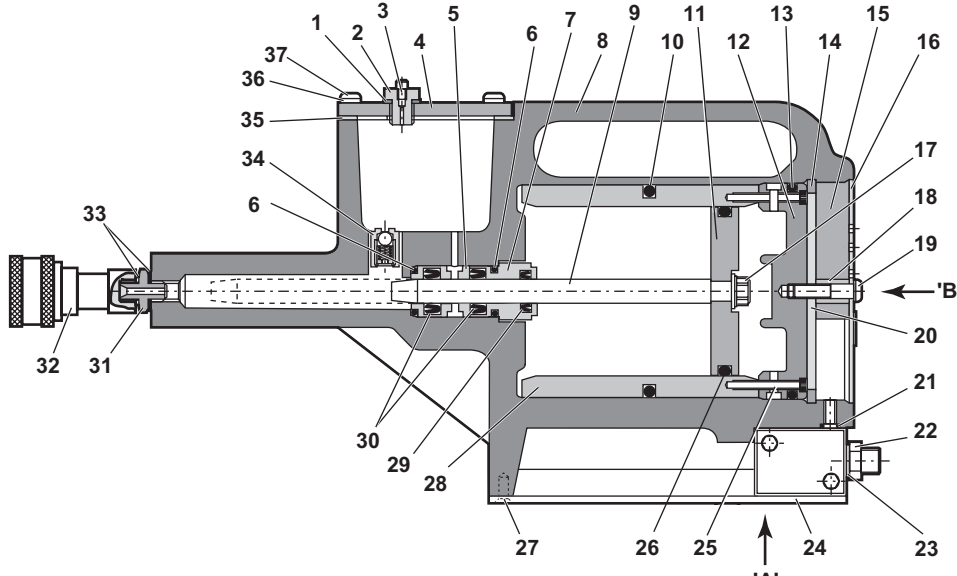
- Yeni bir Somun **17** kullanarak Piston Düzenliğini monte edin.
- Uç Kapak **12** Tutma Halkasının **14** içine doğru şekilde takılmalıdır. Uç kapağı çıkarılmışsa alet çalıştırılmamalıdır.

ÖNEMLİ

Alet söküldükten sonra ve çalıştırmadan önce HER ZAMAN hazırlama gereklidir.

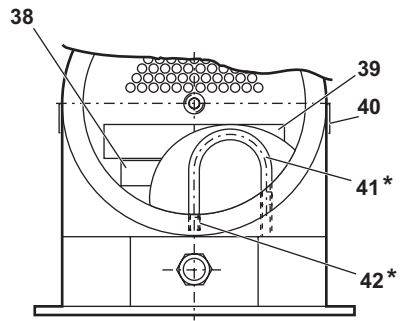
6.5 ÇEVRENİN KORUNMASI

Yürürlükteki bertaraf etme yönetmeliklerine uygunluğu sağlayın. Personeli ve çevreyi tehlikeye maruz bırakmamak için tüm atık ürünleri onaylanmış bir atık tesisi veya sahasında bertaraf edin.

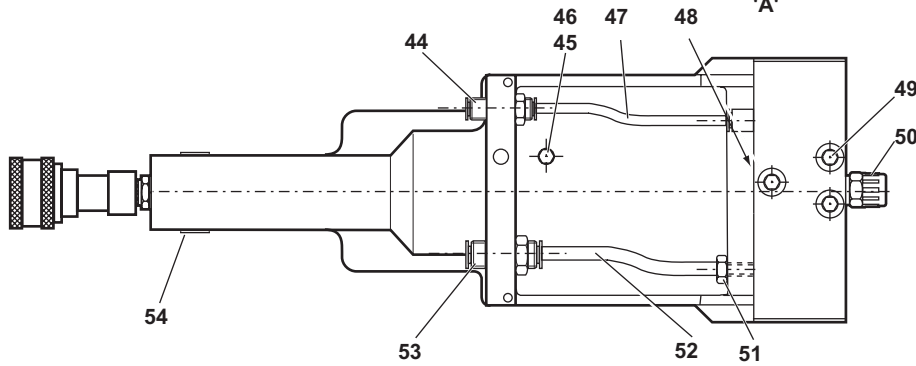
6.6 GÜÇLENDİRİCİ 07531-02200

Note

* Some units will not include these items (The required link is achieved via internal porting).

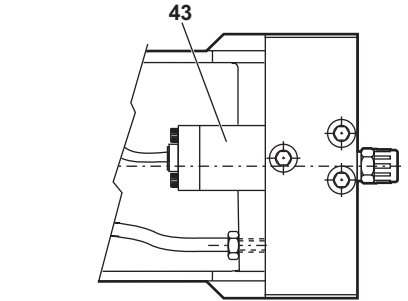


VIEW ON ARROW 'B'



VIEW ON ARROW 'A'

VIEW ILLUSTRATING FESTO VALVE



VIEW ILLUSTRATING COMPAIR VALVE

* 0753 MkII Servis Kitinde bulunan öğeleri ifade eder. Tam liste için bkz. sayfa 388.

Koyu yazılan öğe numaraları yandaki çizime ve parça listesine atıfta bulunur.

07531-02200 PARÇA LİSTESİ									
ÖĞE	PARÇA NO	AÇIKLAMA	MİKTAR	YEDEK	ÖĞE	PARÇA NO	AÇIKLAMA	MİKTAR	YEDEK
1	07003-00037	CONTA	1	1	28	07531-00201	MANŞON	1	-
2	07240-00211	DOLGU VİDASI	1	-	29	07003-00337	DUDAK TİPİ CONTA	1	1
3	07001-00418	BOŞALTMA VİDASI	1	1	30	07003-00336	DUDAK TİPİ CONTA	2	2
4	07240-00210	KAPAK PLAKASI	1	-	31	07005-00406	KONEKTÖR	1	-
5	71420-02006	CUNTA MUHAFAZASI	1	-	32	07005-00759	HIZLI BAĞLAMA-ÇÖZME KONEKTÖRÜ	1	-
6	07003-00153	'O' HALKASI	2	-	33	07003-00142	CONTA	2	1
7	71420-02007	CONTA TAPASI	1	-	34	07240-00400	VALF YUVA DÜZENEĞİ	1	-
8	71420-02300	GÖVDE DÜZENEĞİ	1	-	35	07240-00209	TİP CONTA	1	1
9	71420-02008	PİSTON ÇUBUĞU	1	-	36	07002-00073	RONDELA	4	1
10	07003-00182	'O' HALKASI	1	1	37	07001-00554	VİDA	4	1
11	07531-00202	HAVALI PİSTON	1	-	38	07007-01504	ETİKET	1	-
12	07531-00204	UÇ KAPAK	1	-	39	07240-00217	ETİKET	1	-
13	07003-00183	'O' HALKASI	1	1	40	07531-00205	ETİKET	2	-
14	07004-00069	TUTMA HALKASI	1	1	41	07005-00596	* 6mm PLASTİK BORU	-	-
15	07240-00213	KÖPÜK SUSTURUCU	1	1	42	07245-00103	* VAKUM KONEKTÖRÜ	2	-
16	07240-00214	SUSTURUCU KAPAK	1	-	43	07005-00590	KARŞILAŞTIRMA VANASI	1	1
17	07002-00017	SOMUN	1	1	44	07005-01431	BÖLME SACI KONEKTÖRÜ	1	1
18	07240-00215	ARA PARÇASI	1	-	45	07005-00668	M5 TAPA	1	-
19	07001-00417	VİDA	1	1	46	07005-00670	M5 SIZDIRMAZLIK HALKASI	1	-
20	07240-00216	TUTMA PLAKASI	1	-	47	07005-01084	4mm PLASTİK BORU (150mm)	-	-
21	*07003-00042	'O' HALKASI	1	1	48	07005-01524	FESTO VALF	1	-
22	07005-00041	KONEKTÖR	1	-	49	07001-00176	VİDA	3	-
23	07003-00065	RONDELA	1	-	50	07007-00292	1/4" BSP KIRMIZI KAPAK	1	-
24	07240-00220	KORUMA PLAKASI	1	-	51	07005-00647	KONEKTÖR	1	-
25	07001-00375	VİDA	2	-	52	07005-01085	6mm PLASTİK BORU (150mm)	-	-
26	07003-00238	'O' HALKASI	1	1	53	07005-00855	BULKHEAD UNION	1	-
27	07001-00396	VİDA	4	-	54	73200-02022	GÜVENLİK ETİKETİ	1	-

7. HAZIRLAMA

Alet sökildükten sonra ve çalıştırmadan önce HER ZAMAN hazırlama gereklidir. Ayrıca, strokun azaltılabildiği ve perçinlerin tetiğin tek bir hareketiyle tam olarak yerleştirilemediği, önemli bir kullanımdan sonra tam stroku eski haline getirmek gerekli olabilir.

7.1 YAĞ BİLGİLERİ

Hazırlama için önerilen yağ, 0,5 l (parça numarası 07992-00002) veya bir galonluk kaplarda (parça numarası 07992-00006) bulunan Hyspin® VG32 ve AWS 32'dir. Lütfen aşağıdaki güvenlik verilerine bakın.

7.2 HYSPIN® VG 32 VE AWS 32 YAĞ GÜVENLİK VERİLERİ

İlk Yardım

CİLT:

Mümkün olan en kısa sürede sabun ve suyla iyice yıkayın. Anlık temas, hemen müdahale gerektirmez. Kısa süreli temas, hemen müdahale gerektirmez.

YUTMA:

Derhal tıbbi yardım alın. Kusmaya ZORLAMAYIN.

GÖZLER:

Derhal müdahale edip birkaç dakika boyunca suyla yıkayın. Birincil derecede tahriş edici olmasa da, temastan sonra küçük bir tahriş meydana gelebilir.

Yangın

Uygun yangın söndürme aracı: CO₂, kuru toz, köpük veya su sisi. Su püskürtücü KULLANMAYIN.

Çevreyi Koruma

ATIKLARIN BERTARAF EDİLMESİ: Yetkili yüklenici aracılığıyla lisanslı bir atık sahasına. Yakılabilir. Kullanılmış ürün iade için gönderilebilir.

DÖKÜLME: Kanalizasyona ve su kanallarına girmesini önleyin. Emici malzeme ile emdirin.

Elleçleme

Koruyucu gözlük, su geçirmez eldivenler (örn. PVC) ve plastik önlük giyin. İyi havalandırmaya sahip bir ortamda kullanın.

Saklama

Herhangi bir özel önlem gerekmez.

7.3 HAZIRLAMA PROSEDÜRÜ

ÖNEMLİ

HAVA BOŞALTMA VİDASI ÇIKARILIRKEN TETİĞİ ÇALIŞTIRMAYIN

Tüm işlemler temiz bir tezgah üzerinde, temiz ellerle temiz bir alanda yapılmalıdır.

Yeni yağın tamamen temiz olduğundan ve hava kabarcığı içermediğinden emin olun.

Alete hiçbir yabancı maddenin girmemesini sağlamak için her zaman dikkatli olunmalıdır, aksi takdirde ciddi hasar meydana gelebilir.

- Vida **2** ve Contayı **1** güçlendirici haznesinin üzerindeki Plastik Kapak plakasından **4** çıkartın.
- Doldurma yağını üstten yaklaşık 1/2" (12mm) olana kadar hazneye dökün.
- Vidayı **2** ve Contayı **1** geri takın.
- Güçlendirici ünitesini hava kaynağına bağlayın. Vidayı haznedden çıkarın.
- 07536 tabanca ünitesi güçlendirici üniteye takılıken ve güçlendirici ünite seviyesinin altında tutulurken, 07536 aletindeki Boşaltma Vidasını **64** Boşaltma Tapası Düzeneginden **43** iki tur çevirerek sökün ve yağın aletten dışarı akmasını bekleyin.
- Yağ serbestçe aktığında ve hava kabarcığı kalmadığında, hava boşaltma vidasını sıkın.
- Güçlendirici üniteye hazneyi hazırlama yağı ile doldurun.
- Yağda bulunan hava kabarcıkları yağ haznesine atılana kadar aleti çalıştırın.

Koyu yazılan parça numaraları genel montaj mekanizmaları ve parça listesini ifade eder, bkz. sayfa 392-395.

8. ARIZA TEŞHİSİ

ARIZA BELİRTİSİ	OLASI NEDEN	ÇÖZÜM	SAYFA REF.
Alet perçin yerleştirmiyor	Düşük hava basıncı.	Hava basıncını artırın	
	Yağ eksikliği.	Aleti hava giriş noktasında yağlayın	
	Yüksek rayba yükü.	Perçin sapını ve uygulama deliğinin boyutunu kontrol edin	
	Doğru boyutta mandrel olup olmadığını kontrol edin.		
	Kuyruk çeneleri kapalı.	Kuyruk çenelerini açın	
	Hidrolik sistemde hava.	Bkz. 'Hazırlama Prosedürü'	397
'Mandrel Kayması' - çeneler mandrel kavramıyor	Aşınmış veya kirli kuyruk çeneleri.	Gerektiği gibi temizleyin veya yenileyin	
	'Yetersiz hava basıncı/hacmi.	Hava basıncını/hacmini artırın	
	'Kuyruk çene düğmesi çalışmıyor.	Düğmeyi değiştirin	
	'Kuyruk çenelerinde yağ kaçağı.	Piston 11 üzerindeki 'O' halkaları yenileyin	
	Mandrel kırılmış ve kuyruk çenelerine ulaşmıyor.	Mandrel değiştirin	
	Pnömatik kumanda kutusunda arıza.	Stanley Engineered Fastening personeliyle iletişime geçin	
Çeneler mandrel bırakmıyor	Kirli kuyruk çeneleri veya çene muhafazası.	Temizleyin ve yağlayın	
	Arızalı kuyruk çene düğmesi.	'O' halkaları değiştirin	
	Sıkışmış hava sinyali	Pnömatik borularını kontrol edin	
	Pnömatik kumanda kutusunda arıza	Stanley Engineered Fastening personeliyle iletişime geçin	
Bağlantı elemanları burun çenelerine beslenemiyor	Kuyruk çeneleri açılmamış.	Kuyruk çenelerini açın	
	Aşınmış kuyruk çeneleri.	Kuyruk çenelerini yenileyin	
	Sürgü yönü yanlış.	Doğru yönü sağlayarak yeniden takın	
	Hatalı sürgü	Doğru sürgüyü takın	
	Hatalı burun çeneleri.	Doğru burun çenelerini takın	
	Mandrel takip yayı takılı değil.	Doğru mandrel takip yayını takın	
	Mandrel takipçi uzunluğu	Doğru mandrel takipçisi takın	
	Yüklendiğinde perçin kafası ve burun çeneleri arasındaki boşluk hatalı.	Boşluğu 1,5mm - 3mm (1/16- 1/8") olarak ayarlayın Bkz. 'Aletin Doldurulması'	385-386
	Sürgü takılıyor.	Sürgüyü temizleyin ve yağlayın	
	aşınmış havalı sürgü	Sürgüyü yenileyin	
	Hatalı mandrel takip yayı takılı.	Doğru mandrel takip yayını takın	
	Aşınmış veya kırılmış namlu dönüş yayı	Namlu dönüş yayını değiştirin	
Aşırı kuyruk çene aşınması	Yüksek rayba yükü.	Uygulama deliği boyutunu ve kalınlığını ve perçin kavrama kabiliyetini kontrol edin	
Tek seferde birden fazla perçin besleme	Mandrel kayması.	'Mandrel Kayması' açısından kontrol edin, aşama 2	
	Yüklendiğinde perçin kafası ve burun çeneleri arasındaki boşluk hatalı	Boşluğu 1,5mm - 3mm (1/16- 1/8") olarak ayarlayın Bkz. 'Aletin Doldurulması', sayfa	385-386

Diğer arıza belirtileri yerel Stanley Engineered Fastening yetkili bayisine veya onarım merkezine bildirilmelidir.

NOTLAR

9. AB UYGUNLUK BEYANI

Biz **Stanley Engineered Fastening, Stanley House, Works Road, Letchworth Garden City, Hertfordshire, SG6 1JY UNITED KINGDOM** olarak, tüm sorumluluğu tarafımıza ait olmak üzere ürün konusunda şunları beyan ederiz:

Açıklama: Hızlı Perçinler için Hidro Pnömatik Yineleme Aleti

Model: 07536

ürünü, uyumlu hale getirilmiş aşağıdaki standartların gerekliliklerini karşılamaktadır:

ISO 12100:2010	EN ISO 3744:2010
EN ISO 11202:2010	EN ISO 11148-1:2011
EN ISO 4413:2010	BS EN 28662-1:1993
EN ISO 4414:2010	EN ISO 20643:2008+A1:2012
EN ISO 28927-5:2009+A1:2015	ES100118-rev 17:2017

Teknik belge aşağıdaki Yönetmelik uyarınca, Ek VII ile uyumludur: **2006/42/EC Makine Direktifi** (Kanun Hükmündeki Kararname 2008 No 1597 - Makine Temini (Güvenlik) Yönetmelikleri tarafından ifade edilir).

Aşağıda imzası bulunanlar bu beyanı STANLEY Engineered Fastening adına yapar

A. K. Seewraj

Mühendislik Birimi Direktörü, BK

Avdel UK Limited, Stanley House, Works Road, Letchworth Garden City, Hertfordshire,
SG6 1JY UNITED KINGDOM

Düzenlendiği Yer: Letchworth Garden City, BK

Düzenleme tarihi: 01-01-2021

Aşağıda imzası bulunan kişi, Avrupa Birliğinde satılan ürünler için teknik dosyanın hazırlanmasından sorumludur ve bu beyanı Stanley Engineered Fastening adına yapmaktadır.

Matthias Appel

Teknik Dokümantasyon Takım Lideri

Stanley Engineered Fastening, Tucker GmbH, Max-Eyth-Str.1,
35394 Gießen, Almanya



Bu makine aşağıdaki direktifle uyumludur
Makine Direktifi 2006/42/EC

STANLEY
Engineered Fastening

10.İNGİLTERE UYGUNLUK BEYANI

Biz **Stanley Engineered Fastening, Stanley House, Works Road, Letchworth Garden City, Hertfordshire, SG6 1JY UNITED KINGDOM** olarak, tüm sorumluluğu tarafımıza ait olmak üzere ürün konusunda şunları beyan ederiz:

Açıklama: Hızlı Perçinler için Hidro Pnömatik Yineleme Aleti

Model: 07536

ürünü, tanımlanmış aşağıdaki standartların gerekliliklerini karşılamaktadır:

ISO 12100:2010	EN ISO 3744:2010
EN ISO 11202:2010	EN ISO 11148-1:2011
EN ISO 4413:2010	BS EN 28662-1:1993
EN ISO 4414:2010	EN ISO 20643:2008+A1:2012
EN ISO 28927-5:2009+A1:2015	ES100118-rev 17:2017

Teknik dokümantasyon, Makine Tedarik (Güvenlik) Yönetmelikleri 2008, S.I. 2008/1597 (değiştirildiği şekliyle) uyarınca derlenmiştir.

Aşağıda imzası bulunanlar bu beyanı STANLEY Engineered Fastening adına yapar



A. K. Seewraj

Mühendislik Birimi Direktörü, BK

Avdel UK Limited, Stanley House, Works Road, Letchworth Garden City, Hertfordshire,
SG6 1JY UNITED KINGDOM

Düzenlendiği Yer: Letchworth Garden City, BK

Düzenleme tarihi: 01-01-2021

**UK
CA**

Bu makine aşağıdaki direktifle uyumludur
Makine Temini (Güvenlik) Düzenlemeleri 2008,
S.I. 2008/1597 (değiştirildiği şekliyle) ile uyumludur

11. YATIRIMINIZI KORUYUN!

Stanley® Engineered Fastening KÖR PERÇİN ALETİ GARANTİ BİLGİLERİ

STANLEY Engineered Fastening, tüm elektrikli aletlerinin dikkatli şekilde üretildiğini ve bunların bir (1) yıl boyunca normal kullanım ve servis altında malzeme veya işçilikten kaynaklanan bir bozukluk göstermeyeceğini garanti etmektedir.

Bu garanti, aletin orijinal kullanımı için ilk satın alınışı için geçerlidir.

İstisnalar:

Normal yıpranma ve aşınma.

Düzenli bakım, tamir ve normal yıpranma ve aşınma sebepli parçaların değiştirilmesi, bu garantinin kapsamında değildir.

Suistimal ve İstismar.

Yanlış kullanım, depolama, kötü amaçlı veya hatalı kullanım, kaza veya ihmal sonucu ortaya çıkan fiziksel hasar gibi arıza veya hasarlar, bu garantinin kapsamı dışındadır.

Yetkisiz Servis veya Tadilat.

STANLEY Engineered Fastening veya yetkili servis merkezleri dışında birinin gerçekleştirdiği servis, test ayarlaması, kurulum, bakım, değişiklik veya tadilattan ortaya çıkan bozukluklar ve hasarlar, bu garantinin kapsamında değildir.

Buradaki sebepler için, tüm pazarlanabilirlik ve elverişlilik garantileri dahil ifade edilen veya ima edilen tüm diğer garantiler bundan böyle kabul edilmemektedir.

Bu aletin garantiyi karşılamaması durumunda, aleti derhal size en yakın fabrika yetkili servis merkezine gönderin. ABD ve Kanada'da bulunan STANLEY® Engineered Fastening Yetkili Servis Merkezlerinin listesi için, ücretsiz (877) 364 2781 numarasından bize ulaşabilirsiniz.

ABD ve Kanada dışındaysanız, size en yakın STANLEY Engineered Fastening merkezi için www.StanleyEngineeredFastening.com web sitesini ziyaret edin.

Bu durumda STANLEY Engineered Fastening hatalı malzeme veya işçilik sebebiyle olduğu belirlenen bozuk parça veya parçaları ücretsiz olarak değiştirecek ve ücretsiz olarak geri gönderecektir. Bu, bizim bu garanti içindeki tek yükümlülüğümüzü temsil etmektedir.

STANLEY Engineered Fastening hiçbir durumda bu aletin satın alınması veya kullanılmasından ortaya çıkan dolaylı veya özel hasarlardan sorumlu tutulmayacaktır.

Kör Perçin Aletinizi çevrimiçi kaydedin.

Garantinizi çevrimiçi olarak kaydetmek için, <https://www.stanleyengineeredfastening.com/support/warranty-registration-form> adresini ziyaret edin

STANLEY® Engineered Fastening tarafından üretilen Stanley Assembly Technologies Marka aleti seçtiğiniz için teşekkür ederiz.

STANLEY
Engineered Fastening

STANLEY Engineered Fastening

STANLEY House, Works Road
Letchworth Garden City
Hertfordshire, United Kingdom
SG6 1JY
Tel: +44 1582 900 000
Fax: +44 1582 900 001



Holding your world together®

Find your closest STANLEY Engineered Fastening location on
www.stanleyEngineeredFastening.com/contact
For an authorized distributor nearby please check
www.stanleyEngineeredFastening.com/econtact/distributors

Manual Number	Issue	C/N
07900-00846_EEU	C	21/099

STANLEY
Assembly Technologies

Stanley Engineered Fastening — a division of Stanley Black and Decker — is the global leader in precision fastening and assembly solutions. Our industry-leading brands, Avdel®, Integra™, Nelson®, Optia™, POP®, Stanley® Assembly Technologies, and Tucker®, elevate what our customers create. Backed by a team of passionate and responsive problem-solvers, we empower engineers who are changing the world.

STANLEY ENGINEERED FASTENING FAMILY OF BRANDS

AVDEL

INTEGRA

NELSON

OPTIA

POP

STANLEY
Assembly Technologies

TUCKER