

N900b FACS  
Flexible Arc Control System  
Battery-Powered 1/2" Drawn Arc Stud Welder

Patented battery-powered design delivers hundreds of welds from a single charge

**Cordless = Unparalleled Flexibility**

Weld nearly anywhere, with no need for a heavy, high-voltage power cable to limit worksite access.

**Portable**

Weighing about 65 pounds, this machine is easy to move around. The integrated handle makes it even easier.

**High Capacity**

The N900b battery will charge fully in just 2-3 hours and then will deliver hundreds of welds on that charge. A single battery charge will weld about 1,200 1/4" diameter studs, 400 3/8" diameter studs, or over 200 1/2" diameter studs. Connecting the charger to the welder and a standard single phase household power outlet will charge the battery in between welds, providing nearly twice the capacity.

**Multifunction LCD Touch Screen**

The new FACS-equipped N900b uses a bright 7" LCD touch screen display. This tough and extremely versatile display provides a whole new level of communication to the user.

**Advanced Stud Welder Battery Control System**

The N900b's rechargeable lithium iron phosphate (LFP) battery is monitored to protect it from high temperatures, input overcharging, as well as output overload.

**Intrinsically Safe LFP battery**

LFP batteries are resistant to catching fire or exploding during rapid charge/discharge. They are virtually incombustible due to the chemical stability of their iron phosphate cathode material. LFP batteries are also environmentally friendly, containing no toxic heavy metals or caustic materials.

**External Battery Charger**

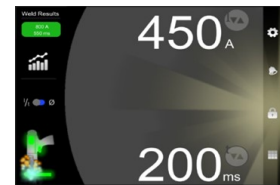
100-240V Charger is included with the weld system and will accommodate most single phase input power. The charger can be connected while welding to trickle charge while in use.

**Plug & Play Motorized Gun Options**

The new motorized gun driver module developed for the FACS system can simply replace the standard solenoid gun driver and connector.

**Advanced Microprocessors & Communications**

FACS uses cutting-edge microprocessor controls and will expand connectivity in the future for weld data.





**STANLEY**  
Engineered Fastening



**NELSON**<sup>®</sup>

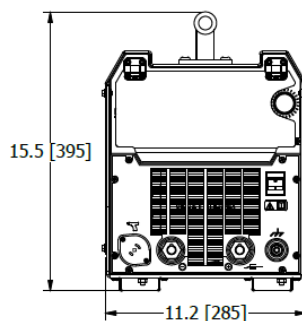
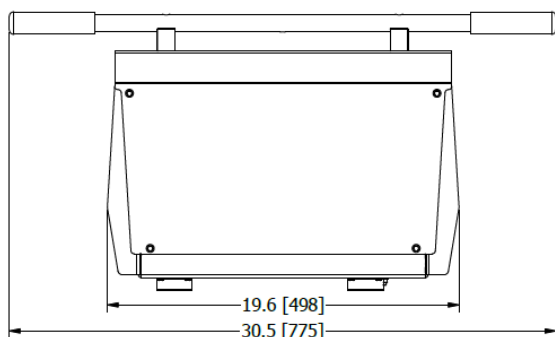
## N900b FACS

Flexible Arc Control System

Battery-Powered 1/2" Drawn Arc Welder

Welder Specifications		N900b	
Welding Process		Drawn Arc, Short Cycle, Gas Arc	
Welding Current (I)		100A—900A Continuously Adjustable	
Welding Time (T)		5ms—550ms Continuously Adjustable	
Weight (welder only)		65 lbs (30kg)	
Dimensions (L x W x H)		30.5" (78cm) x 11.25" (28cm) x 15.5" (40cm)	
Enclosure Rating		IP21	
Weld Rates	1/2"	4	Studs/Min
	3/8"	11	Studs/Min
Display		FACS Touch Screen	

Battery Specifications	Value
Charger Input Voltage	100V—240V @ 50/60Hz
Charger Input Current	7A
Nominal Battery Voltage	53 VDC
Operating Temperature Range	0 to 40° C
Storage temperature Range	-20° to 60° C
Battery Charge Time, Max	3 hours
Welds per Charge (estimated)	3/16" - 1600
	1/4" - 1200
	3/8" - 400
	1/2" - 200



Stanley Engineered Fastening — a division of Stanley Black & Decker — is the global leader in precision fastening and assembly solutions. Our industry-leading brands elevate what our customers create. Backed by a team of passionate and responsive problem-solvers, we empower engineers to create the future.

STANLEY ENGINEERED FASTENING FAMILY OF BRANDS

AVDEL

INTEGRA

NELSON

OPTIA

POP

STANLEY  
Assembly Technologies

TUCKER