

- EN Hydro-Pneumatic Power Tool
- FRC Outil électrique hydropneumatique
- ESM Herramienta hidroneumática
- PTB Ferramenta Elétrica Hidropneumática



0753 MKII Type - Repetition Tool for Speed Rivets - 07530 / 07531 / 07532

Hydro-Pneumatic Power Tool

©2021 STANLEY Black & Decker
All rights reserved.

The information provided may not be reproduced and/or made public in any way and through any means (electronically or mechanically) without prior explicit and written permission from STANLEY Engineered Fastening. The information provided is based on the data known at the moment of the introduction of this product. STANLEY Engineered Fastening pursues a policy of continuous product improvement and therefore the products may be subject to change. The information provided is applicable to the product as delivered by STANLEY Engineered Fastening. Therefore, STANLEY Engineered Fastening cannot be held liable for any damage resulting from deviations from the original specifications of the product.

The information available has been composed with the utmost care. However, STANLEY Engineered Fastening will not accept any liability with respect to any faults in the information nor for the consequences thereof. STANLEY Engineered Fastening will not accept any liability for damage resulting from activities carried out by third parties. The working names, trade names, registered trademarks, etc. used by STANLEY Engineered Fastening should not be considered as being free, pursuant to the legislation with respect to the protection of trademarks.

CONTENT

1. SAFETY DEFINITIONS	4
1.1 GENERAL SAFETY RULES	4
1.2 PROJECTILE HAZARDS	4
1.3 OPERATING HAZARDS.....	5
1.4 REPETITIVE MOTIONS HAZARDS.....	5
1.5 ACCESSORY HAZARDS	5
1.6 WORKPLACE HAZARDS.....	5
1.7 NOISE HAZARDS.....	5
1.8 VIBRATION HAZARDS.....	5
1.9 ADDITIONAL SAFETY INSTRUCTIONS FOR PNEUMATIC AND HYDRAULIC TOOLS.....	6
2. SPECIFICATIONS.....	7
2.1 SPECIFICATION FOR 0753 MK II TYPE TOOL.....	7
2.2 SPECIFICATION FOR 07531 INTENSIFIER.....	7
3. INTENT OF USE.....	8
3.1 TOOL DIMENSIONS - 07530 MKII MODEL.....	9
3.2 TOOL DIMENSIONS - 07532 MKII MODEL.....	9
4. PUTTING INTO SERVICE.....	10
4.1 AIR SUPPLY	10
4.2 CURSOR	12
4.3 LOADING AND RELOADING THE TOOL	12
4.4 OPERATING PROCEDURE.....	13
4.5 PLACING EQUIPMENT.....	13
5. SERVICING THE TOOL.....	14
5.1 DAILY	14
5.2 WEEKLY	14
5.3 MOLY LITHIUM GREASE EP 3753 SAFETY DATA.....	14
5.4 SERVICE KIT.....	15
6. MAINTENANCE.....	16
6.1 DISMANTLING 07530-02200 MKII	16
6.2 DISMANTLING 07532-02200 MKII	18
6.3 GENERAL ASSEMBLY OF BASE TOOL 07530-02200 MKII	20
6.4 PARTS LIST FOR BASE TOOL 07530-02200 MKII.....	21
6.5 GENERAL ASSEMBLY OF BASE TOOL 07532-02200 MKII	22
6.6 PARTS LIST FOR BASE TOOL 07532-02200 MKII.....	23
6.7 INTENSIFIER 07531-02200 - MAINTENANCE.....	24
6.8 INTENSIFIER 07531-02200.....	25
6.9 PILOT VALVE 07005-00590 - MAINTENANCE	27
6.10 PROTECTING THE ENVIRONMENT	27
6.11 PILOT VALVE 07005-00590 - SPARES INFORMATION.....	28
7. PRIMING	29
7.1 OIL DETAILS.....	29
7.2 HYPIN VG 32 AND AWS 32 OIL SAFETY DAT.....	29
7.3 PRIMING PROCEDURE.....	29
8. FAULT DIAGNOSIS	30
9. EC DECLARATION OF CONFORMITY	32
10. UK DECLARATION OF CONFORMITY.....	33
11. PROTECT YOUR INVESTMENT!	34



This instruction manual must be read by any person installing or operating this tool with particular attention to the following safety rules.



Always wear impact-resistant eye protection during operation of the tool. The grade of protection required should be assessed for each use.







Use hearing protection in accordance with employer's instructions and as required by occupational health and safety regulations.



Use of the tool can expose the operator's hands to hazards, including crushing, impacts, cuts and abrasions and heat. Wear suitable gloves to protect hands.

1. SAFETY DEFINITIONS

The definitions below describe the level of severity for each signal word. Please read the manual and pay attention to these symbols.

-  **DANGER:** Indicates an imminently hazardous situation which, if not avoided, will result in death or serious injury.
-  **WARNING:** Indicates a potentially hazardous situation which, if not avoided, could result in death or serious injury.
-  **CAUTION:** Indicates a potentially hazardous situation which, if not avoided, may result in minor or moderate injury.
-  **CAUTION:** Used without the safety alert symbol indicates a potentially hazardous situation which, if not avoided, may result in property damage.

Improper operation or maintenance of this product could result in serious injury and property damage. Read and understand all warnings and operating instructions before using this equipment. When using power tools, basic safety precautions must always be followed to reduce the risk of personal injury.

SAVE ALL WARNINGS AND INSTRUCTIONS FOR FUTURE REFERENCE

1.1 GENERAL SAFETY RULES

- For multiple hazards, read and understand the safety instructions before installing, operating, repairing, maintaining, changing accessories on, or working near the tool. Failure to do so can result in serious bodily injury.
- Only qualified and trained operators must install, adjust or use the tool.
- DO NOT use outside the design intent of placing STANLEY Engineered Fastening Blind Rivets.
- Use only parts, fasteners, and accessories recommended by the manufacturer.
- DO NOT modify the tool. Modifications can reduce the effectiveness of safety measures and increase the risks to the operator. Any modification to the tool undertaken by the customer will be the customer's entire responsibility and void any applicable warranties.
- Do not discard the safety instructions; give them to the operator.
- Do not use the tool if it has been damaged.
- Prior to use, check for misalignment or binding of moving parts, breakage of parts, and any other condition that affects the tool's operation. If damaged, have the tool serviced before using. Remove any adjusting key or wrench before use.
- Tools shall be inspected periodically to verify that the ratings and markings required by this part of ISO 11148 are legibly marked on the tool. The employer/user shall contact the manufacturer to obtain replacement marking labels when necessary.
- The tool must be maintained in a safe working condition at all times and examined at regular intervals for damage and function by trained personnel. Any dismantling procedure will be undertaken only by trained personnel. Do not dismantle this tool without prior reference to the maintenance instructions.

1.2 PROJECTILE HAZARDS

- Disconnect the tool from the air supply before performing any maintenance, attempting to adjust, fit or remove a nose assembly or accessories.
- Be aware that failure of the workpiece or accessories, or even of the inserted tool itself can generate high-velocity projectiles.
- Always wear impact-resistant eye protection during operation of the tool. The grade of protection required should be assessed for each use.
- The risks to others should also be assessed at this time.
- Ensure that the workpiece is securely fixed.
- Check that the means of protection from ejection of fastener and/or mandrel is in place and is operative.
- Warn against the possible forcible ejection of mandrels from the front of the tool.
- DO NOT operate a tool that is directed towards any person(s).

1.3 OPERATING HAZARDS

- Use of the tool can expose the operator's hands to hazards, including crushing, impacts, cuts and abrasions and heat. Wear suitable gloves to protect hands.
- Operators and maintenance personnel shall be physically able to handle the bulk, weight and power of the tool.
- Hold the tool correctly; be ready to counteract normal or sudden movements and have both hands available.
- Keep tool handles dry, clean, and free from oil and grease.
- Maintain a balanced body position and secure footing when operating the tool.
- Release the start-and-stop device in the case of an interruption of the hydraulic supply.
- Use only lubricants recommended by the manufacturer.
- Contact with hydraulic fluid should be avoided. To minimise the possibility of rashes, care should be taken to wash thoroughly if contact occurs.
- Material Safety Data Sheets for all hydraulic oils and lubricants is available on request from your tool supplier.
- Avoid unsuitable postures as it is likely for these positions not to allow counteracting of normal or unexpected movement of the tool.
- If the tool is fixed to a suspension device, make sure that the fixation is secure.
- Beware of the risk of crushing or pinching if nose equipment is not fitted.
- DO NOT operate tool with the nose casing removed.
- Adequate clearance is required for the tool operator's hands before proceeding.
- When carrying the tool from place to place keep hands away from the trigger to avoid inadvertent activation.
- DO NOT abuse the tool by dropping or using it as a hammer.
- Care should be taken to ensure that spent mandrels do not create a hazard.

1.4 REPETITIVE MOTIONS HAZARDS

- When using the tool, the operator can experience discomfort in the hands, arms, shoulders, neck or other parts of the body.
- While using the tool, the operator should adopt a comfortable posture whilst maintaining a secure footing and avoiding awkward or off-balance postures. The operator should change posture during extended tasks; this can help avoid discomfort and fatigue.
- If the operator experiences symptoms such as persistent or recurring discomfort, pain, throbbing, aching, tingling, numbness, burning sensations or stiffness, these warning signs should not be ignored. The operator should tell the employer and consult a qualified health professional.

1.5 ACCESSORY HAZARDS

- Disconnect the tool from the air supply before fitting or removing the nose assembly or accessory.
- Use only sizes and types of accessories and consumables that are recommended by the manufacturer of the tool; do not use other types or sizes of accessories or consumables.

1.6 WORKPLACE HAZARDS

- Slips, trips and falls are major causes of workplace injury. Be aware of slippery surfaces caused by use of the tool and also of trip hazards caused by the air line or hydraulic hose.
- Proceed with care in unfamiliar surroundings. There can be hidden hazards, such as electricity or other utility lines.
- The tool is not intended for use in potentially explosive atmospheres and is not insulated against contact with electric power.
- Ensure that there are no electrical cables, gas pipes, etc., which can cause a hazard if damaged by use of the tool.
- Dress properly. Do not wear loose clothing or jewellery. Keep your hair, clothing and gloves away from moving parts. Loose clothes, jewellery or long hair can be caught in moving parts.
- Care should be taken to ensure that spent mandrels do not create a hazard.

1.7 NOISE HAZARDS

- Exposure to high noise levels can cause permanent, disabling hearing loss and other problems, such as tinnitus (ringing, buzzing, whistling or humming in the ears). Therefore, risk assessment and the implementation of appropriate controls for these hazards are essential.
- Appropriate controls to reduce the risk may include actions such as damping materials to prevent workpieces from "ringing".
- Use hearing protection in accordance with employer's instructions and as required by occupational health and safety regulations.
- Operate and maintain the tool as recommended in the instruction manual, to prevent an unnecessary increase in the noise level.

1.8 VIBRATION HAZARDS

- Exposure to vibration can cause disabling damage to the nerves and blood supply of the hands and arms.
- Wear warm clothing when working in cold conditions and keep your hands warm and dry.

- If you experience numbness, tingling, pain or whitening of the skin in your fingers or hands, stop using the tool, tell your employer and consult a physician.
- Where possible Support the weight of the tool in a stand, tensioner or balancer, because a lighter grip can then be used to support the tool.

1.9 ADDITIONAL SAFETY INSTRUCTIONS FOR PNEUMATIC & HYDRAULIC POWER TOOLS

- The operating supply air must not exceed 7 bar (100 PSI).
- Air under pressure can cause severe injury.
- Never leave operating tool unattended. Disconnect air hose when tool is not in use, before changing accessories or when making repairs.
- DO NOT let air exhaust opening on the mandrel collector face in the direction of the operator or other persons. Never direct air at yourself or anyone else.
- Whipping hoses can cause severe injury. Always check for damaged or loose hoses and fittings.
- Prior to use, inspect airlines for damage, all connections must be secure. Do not drop heavy objects on hoses. A sharp impact may cause internal damage and lead to premature hose failure.]
- Cold air shall be directed away from hands.
- Whenever universal twist couplings (claw couplings) are used, lock pins shall be installed and whipcheck safety cables shall be used to safeguard against possible hose-to-tool or hose-to-hose connection failure.
- DO NOT lift the placing tool by the hose. Always use the placing tool handle.
- Vent holes must not become blocked or covered.
- Keep dirt and foreign matter out of the hydraulic system of the tool as this will cause the tool to malfunction.
- Oil under pressure can cause severe injury.
- Prior to use, inspect hydraulic hoses for damage. All hydraulic connections must be clean, fully engaged and tight before operation. Do not drop heavy objects on hoses. A sharp impact may cause internal damage and lead to premature hose failure.
- DO NOT pull or move the intensifier unit using the hoses. Always use the unit handle.
- Use only clean oil and filling equipment.
- Only recommended hydraulic fluids may be used.
- Maximum temperature of the hydraulic fluid at the inlet is 100°C (212°F).

⚠ WARNING: While a small amount of wear and marking will naturally occur through normal and correct use of mandrels, they must be regularly examined for excessive wear and marking, with particular attention to the head diameter, the tail jaw gripping area of the shank or heavy pitting of the shank and any mandrel distortion. Mandrels which fail during use could forcibly exit the tool. It is the customer's responsibility to ensure that mandrels are replaced before any excessive levels of wear and always before the maximum recommended number of placings. Contact your STANLEY Engineered Fastening representative who will let you know what that figure is by measuring the broach load of your application with our calibrated measuring tool.

STANLEY Engineered Fastening policy is one of continuous product development and improvement and we reserve the right to change the specification of any product without prior notice.

2. SPECIFICATIONS

2.1 SPECIFICATION FOR 0753 MK II TYPE TOOL

Air Pressure	Minimum - Maximum	5-7 bar (70-100 lbf/in ²)
Free Air Volume Required	@ 5.1 bar /75 lbf/in ²	2.6 litres (0.09 ft ³)
Stroke	Minimum	30.0 mm (1.18 in)
Pull Force	@ 5.5 bar /80 lbf/in ²	3.89 kN (875 lbf)
Cycle time	Approximately	1 second
Weight	Pistol	1.2 kg (2.64 lb)

2.2 SPECIFICATION FOR 07531 INTENSIFIER

Air Pressure	Minimum - Maximum	5-7 bar (70-100 lbf/in ²)
Intensification Ratio		32:1

Noise values determined according to noise test code ISO 15744 and ISO 3744.		0753
A-weighted sound power level dB(A), L_{WA}	Uncertainty noise: $k_{WA} = 2.3$ dB(A)	85.7 dB(A)
A-weighted emission sound pressure level at the work station dB(A), L_{pA}	Uncertainty noise: $k_{pA} = 2.3$ dB(A)	74.8 dB(A)
C-weighted peak emission sound pressure level dB(C), L_{pC} , peak	Uncertainty noise: $k_{pC} = 2.5$ dB(C)	97.9 dB(C)
Vibration values determined according to vibration test code ISO 20643 and ISO 5349.		0753
Vibration emission level, a_{hd} :	Uncertainty vibration: $k = 0.19$ m/s ²	0.73 m/s ²
Declared vibration emission values in accordance with EN 12096		

3. INTENT OF USE

The pneumatic 0753 MkII type tool is designed to place Stanley Engineered Fastening speed fasteners (except 1/16" Avlug®) making it ideal for batch or flowline assembly in a wide variety of applications throughout all industries.

The Hand Tool and Intensifier have been tested as separate items and combined. They must only be used together and for no other purposes. Refer to "Putting into Service" on page 10 for connection details.

Both models, the 07530 MkII and 07532 MkII are hand-held lightweight tools. Their only difference lies in the location of the hose entry.

The top entry on the 07532 MkII tool allows suspension from an added mounting plate, see drawing opposite. Part numbers are shown to order a complete tool including the intensifier and all hoses but no nose equipment.

The pistol number for the 07530 MkII model is 07530-02200 and is 07532-02200 for the 07532 MkII model. See the general assemblies on pages 20-23.

Both models will place the same fasteners and both will place most repetition fasteners, as shown in the table below.

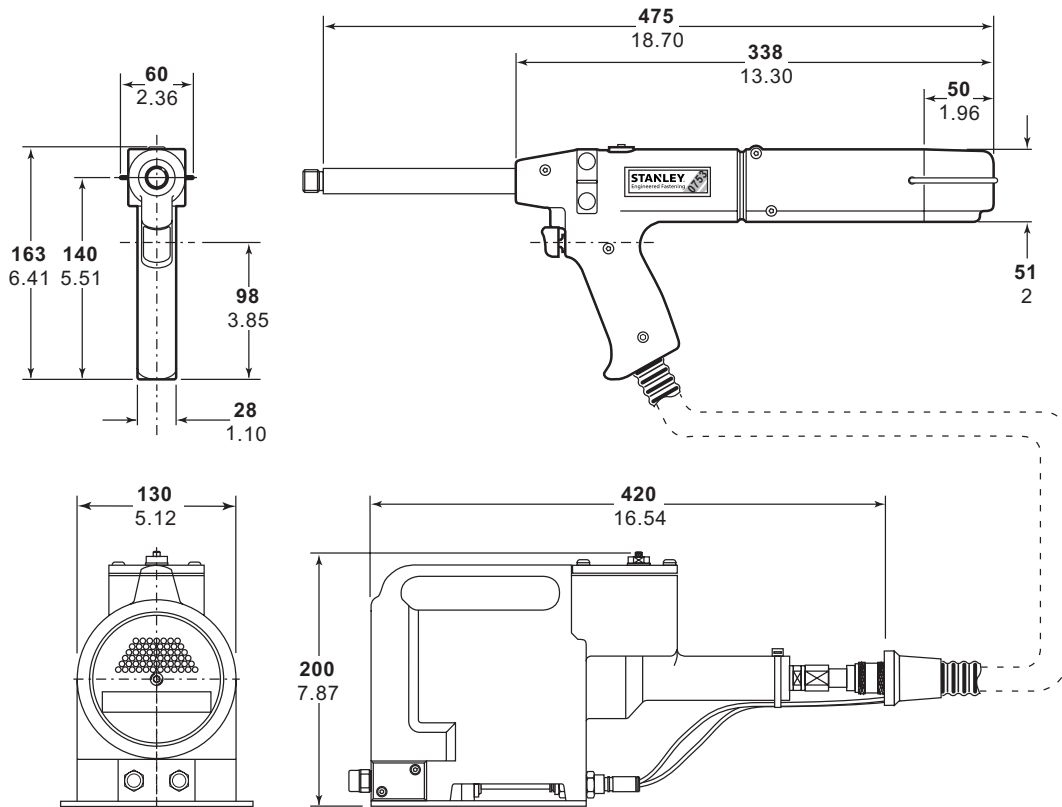
Both models make use of the same nose equipment. Reference must be made to the Accessories manual (07900-09508) when selecting compatible components for the type and size of fastener used in your application.

DO NOT use under wet conditions or in the presence of flammable liquids or gases.

FASTENER NAME	FASTENER SIZE											
	3/32"	1/8"	5/32"	3/16"	1/4"	2.5mm 2.8mm	3mm	3.5mm	4mm	6mm	M2.5 4-40 UNC	M3 6-32 UNC
CHOBERT®	●	●	●	●	●							
GROVIT®	●	●	●	●								
AVLUG®	●	●										
BRIV®	●	●	●	●						●		
RIVSCREW®						●	●	●	●			
AVTRONIC®						●						
AVSERT®											●	●
NEOSPEED(R)		●	●	●								

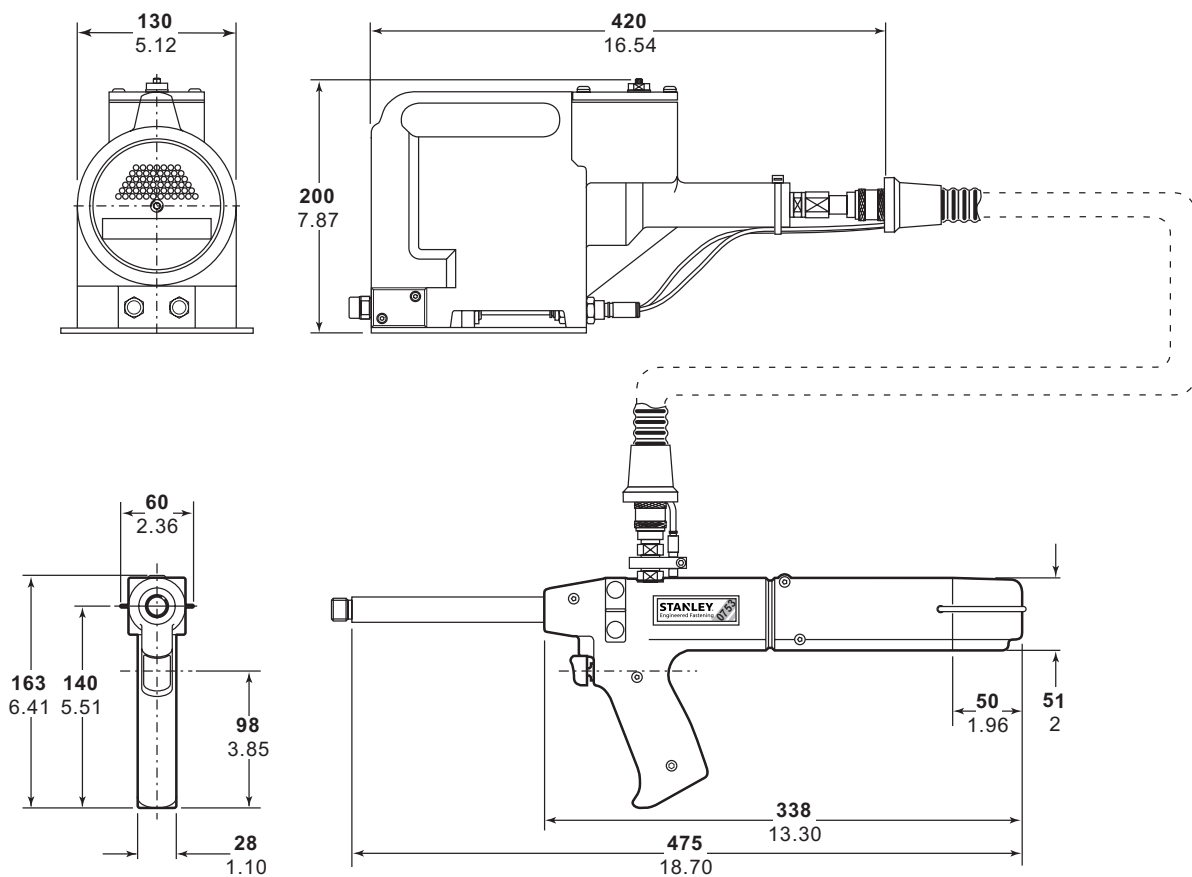
3.1 TOOL DIMENSIONS - 07530 MKII MODEL

Part Number 07530-02100



3.2 TOOL DIMENSIONS - 07532 MKII MODEL

Part Number 07532-02100



Dimensions shown in **bold** are millimetres. Other dimensions are in inches.

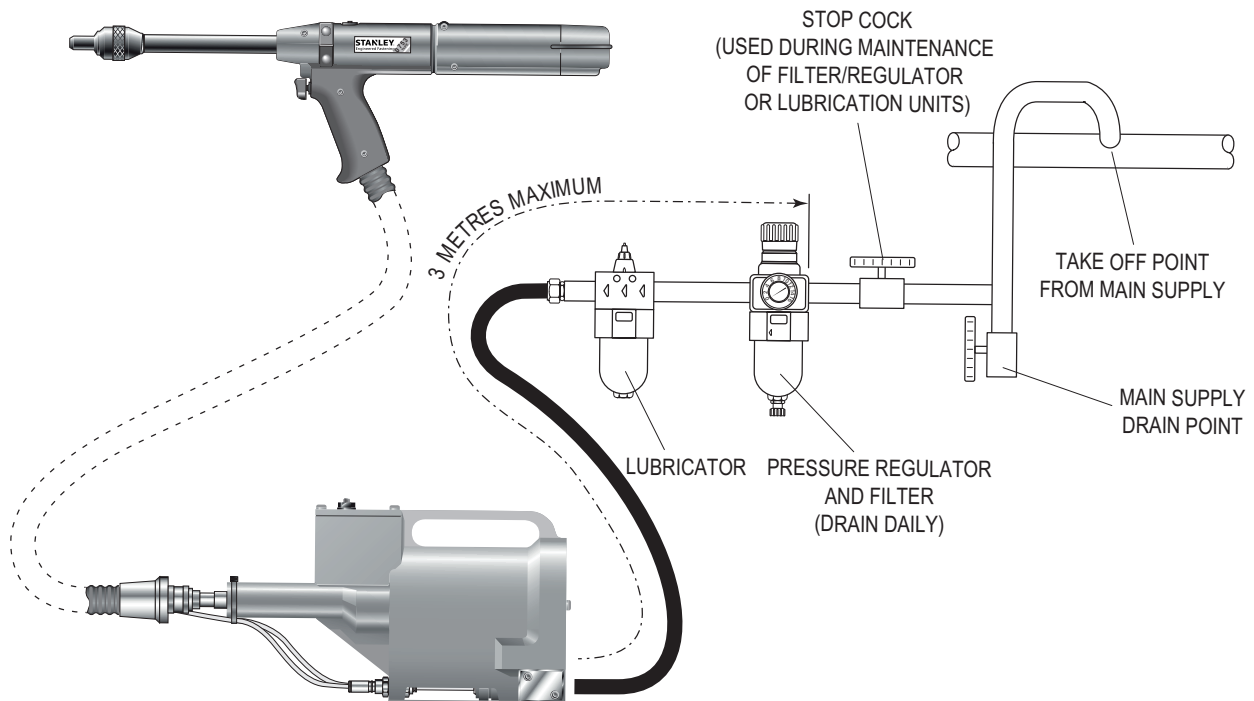
4. PUTTING INTO SERVICE

4.1 AIR SUPPLY

All tools are operated with compressed air at an optimum pressure of 5.5 bar. We recommend the use of pressure regulators and automatic oiling/filtering systems on the main air supply. To ensure maximum tool life and minimum tool maintenance they should be fitted within 3 metres of the tool (see diagram below).

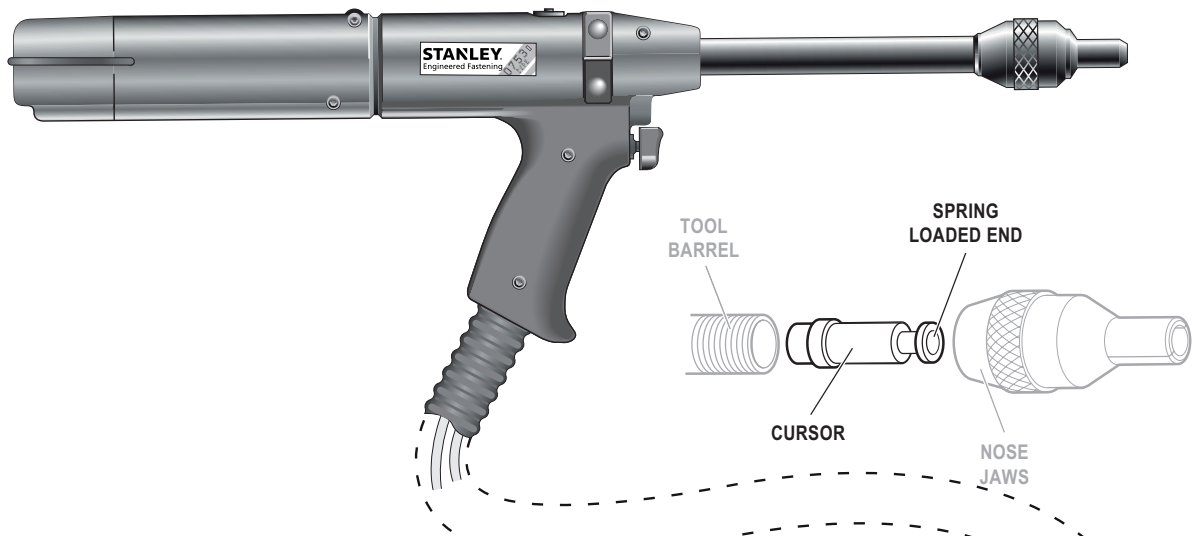
Air supply hoses should have a minimum working effective pressure rating of 150% of the maximum pressure produced in the system or 10 bar, whichever is the highest. Air hoses should be oil resistant, have an abrasion resistant exterior and should be armoured where operating conditions may result in hoses being damaged. All air supply hoses MUST have a minimum bore diameter of 6.4 millimetres or 1/4 inch.

Read daily servicing details page 14.



Follow the steps below when connecting the tool to the intensifier and main air supply:

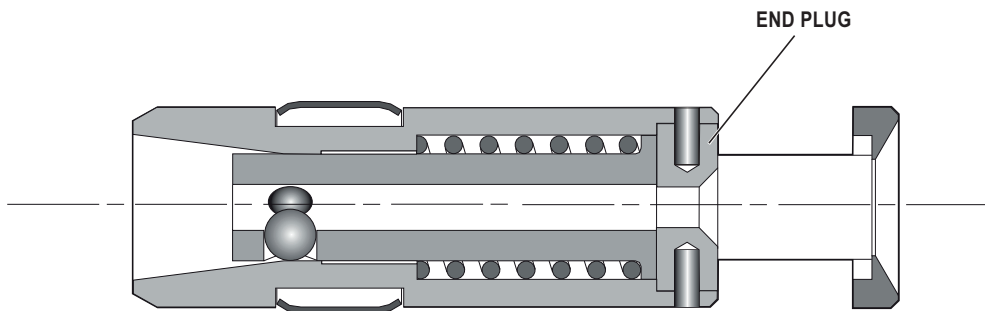
- Push the end of the large hydraulic hose from the tool into the quick release connector on the end of the intensifier.
- On the front face of the intensifier:
 - Push the blue pneumatic (4mm OD) line into the reducer fitting which is located in the left hand bulkhead connector.
 - Push the black pneumatic (4mm OD) line into the plastic collet of the right hand bulkhead connector.
- Fit a pneumatic hose between the male connector at the rear of the intensifier and main air supply.



For reference there are three different mechanical cursor types:

- 07271-01100 Used for Standard mandrels and $\frac{5}{32}$ " Disposable mandrels
- 07279-05843 Used for $\frac{1}{8}$ " Disposable mandrels
- 07279-05845 Used for $\frac{3}{16}$ " Disposable mandrels

The difference in the above assemblies is the internal diameter of the End Plug.



These are colour coded see below:

MECHANICAL CURSOR PART NO.	END PLUG PART NO.	COLOUR	HOLE DIAMETER (mm)
07271-01100	07150-00402	PLAIN STEEL	2.7
07279-05843	07159-05844	GOLD	2.2
07279-05845	07159-05846	SILVER	3.3

4.2 CURSOR

IMPORTANT

If fitted incorrectly, the cursor will not allow feeding of the fasteners.

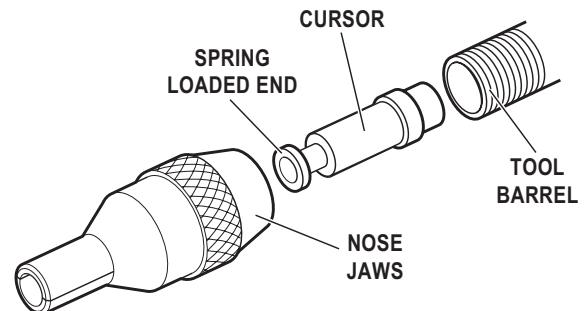
While the cursor will be fitted the correct way round when the tool is supplied, we recommend that you check its orientation before fitting the nose equipment. The sprung loaded, slightly concave, end of the cursor should point towards the front of the tool as shown in the illustration.

When fitted the correct way round, the cursor will easily slide out of the barrel when a mandrel is pushed into its centre then pulled back.

To reverse the orientation of the cursor, follow these steps:

Item numbers in **bold** refer to the general assembly and parts list for the 07530-02200 MkII type on pages 20-21. For the 07532-02200 MkII type, the procedure is the same but the part numbers must be taken from the general assembly and parts list on pages 22-23.

- Remove the clip **47** and slide off end cap **38**.
- Using an Allen Key, remove one cap head screw **44** ensuring that any trapped air is exhausted. remove the second cap head screw **44**.
- Pull out rear plug **46**.
- Pull out tail jaw piston assembly **14** together with jaws **9**.
- Lift out spring **13** and jaw housing **8**.
- Insert a mandrel into the hole in the rear end of barrel **25** until it protrudes through the front of the barrel, then pull out the mandrel and cursor together through the front.
- Reassemble components in reverse order.
- Insert Mechanical Cursor Assembly **5** into the front of the barrel, correct way round.



4.3 LOADING AND RELOADING THE TOOL

IMPORTANT

The procedure for loading the tool and for fitting the nose equipment to the tool is integral.

When ordering a complete tool or system you will normally be supplied with all the nose equipment required for the fastener to be placed.

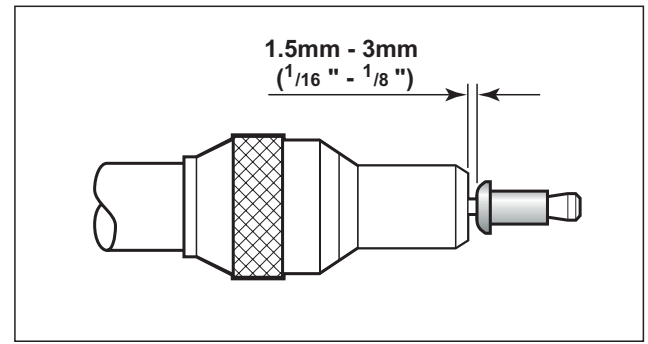
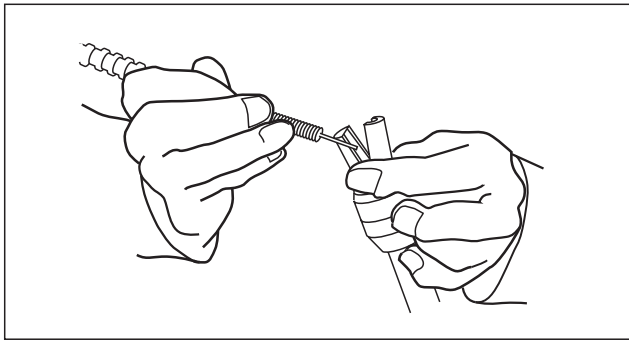
To identify nose equipment components or to select the correct elements, read the nose equipment section, in the accessories manual (07900-09508).

If you have been supplied with a nose jaw, mandrels and mandrel follower springs proceed with loading the tool and fitting the nose equipment as shown overleaf.

Item numbers in **bold** refer to the general assembly and parts list for the 07530-02200 MkII type on pages 20-21. For the 07532-02200 MkII type, the procedure is the same but the part numbers must be taken from the general assembly and parts list on pages 22-23.

Loading the Tool

- Connect the air supply to the tool.
- Open tail jaws **9** which grip the mandrel, by switching off the tail jaw switch (items **26** and **30**).
- Screw selected nose jaws onto barrel **25** of the tool.
- Insert a mandrel into the tail end of the fasteners through the paper pod.
- Slide the mandrel follower spring onto the mandrel ensuring correct orientation, as shown in the accessories manual (part number 07900-09508).
- Gripping the tail end of the mandrel, tear off the paper pod from around the fasteners.
- Open the nose jaws either by rotating the outer ring on Cam operated jaws or by pushing outwards on the jaw ends, as illustrated below left.
- Insert the previously assembled mandrel, mandrel follower spring and fasteners into the nose jaws until the first fastener to be placed is protruding from the nose jaw.
- Close the nose jaws and adjust so that the first fastener protrudes by 1.5mm - 3mm ($1/16''$ to $1/8''$), as shown in the illustration below right.
- Close the tail jaws to ensure the mandrel is gripped, by switching on the tail jaw switch (items **26** and **30**).



Reloading the Tool

- Open tail jaws **9** of tool.
- Open the nose jaws and pull the empty mandrel and mandrel follower spring out of the tool.
- Reload the tool by following the above instructions, starting at stage.

4.4 OPERATING PROCEDURE

IMPORTANT

You must check that the cursor orientation and the nose equipment are correct before attempting to operate the tool.

- Push the fastener, protruding from the nose jaws, fully into the application holes ensuring that the tool is held square.
- Operate the trigger without releasing - the mandrel head is pulled through the fastener, forming the fastener into the application.
- Remove the tool.
- Release the trigger. The next fastener will be automatically presented through the nose jaws, ready for placing.

4.5 PLACING EQUIPMENT

All nose equipment, mandrels, follower springs and other accessories can be found in the accessories manual (part number 07900-09508).

Item numbers in **bold** refer to the general assembly and parts list for the 07530-02200 MkII type on pages 20-21. For the 07532-02200 MkII type, the procedure is the same but the part numbers must be taken from the general assembly and parts list on pages 22-23.

5. SERVICING THE TOOL

Regular servicing should be carried out and a comprehensive inspection performed annually or every 500,000 cycles, whichever is sooner.

IMPORTANT

**The employer is responsible for ensuring that tool maintenance instructions are given to the appropriate personnel.
The operator should not be involved in maintenance or repair of the tool unless properly trained.**

5.1 DAILY

- Daily, before use or when first putting the tool into service. Pour a few drops of clean lubricating oil into the air inlet of the intensifier if no lubricator is fitted on air supply. If the tool is in continuous use, the air hose should be disconnected from the main air supply and the tool lubricated every two to three hours.
- Check for air and oil leaks. If damaged, hoses and couplings should be replaced.
- If there is no filter on the pressure regulator, bleed the airline to clear it of accumulated dirt or water before connecting the air hose to the intensifier. If there is a filter, drain it.
- Check that the nose equipment is correct.
- Check mandrels regularly for signs of wear or damage monitoring the number of placings (read the safety instructions on page 4 - 6).

5.2 WEEKLY

- Conduct the full "Daily" procedures as described above.
- Remove, inspect, clean and grease the Tail Jaws (refer to "Tail Jaw Cylinder" in the "Maintenance Section" page 16).
- Check oil level in the intensifier Unit reservoir is approximately 12mm (1/2") below the transparent cover plate.

⚠ CAUTION: Never use solvents or other harsh chemicals for cleaning the non-metallic parts of the tool. These chemicals may weaken the materials used in these parts

5.3 MOLY LITHIUM GREASE EP 3753 SAFETY DATA

Grease can be ordered as a single item, the part number is shown in the service kit page 15.

First Aid

SKIN:

As the grease is completely water resistant it is best removed with an approved emulsifying skin cleaner.

INGESTION:

Ensure the individual drinks 30ml Milk of Magnesia, preferably in a cup of milk.

EYES:

Irritant but not harmful. Irrigate with water and seek medical attention.

Fire

FLASH POINT: Above 220°C.

Not classified as flammable.

Suitable extinguishing media: CO₂, Halon or water spray if applied by an experienced operator.

Environment

Scrape up for burning or disposal on approved site.

Handling

Use barrier cream or oil resistant gloves

Storage

Away from heat and oxidising agent.

5.4 SERVICE KIT

For all servicing we recommend the use of the service kit (part number 07900-05300).

SERVICE KIT					
ITEM PART N°	DESCRIPTION	N° OFF	ITEM PART N°	DESCRIPTION	N° OFF
07900-00157	CIRCLIP PLIERS	1	07900-00352	SEAL REMOVAL HOOK	1
07900-00006	SPATULA	1	07900-00710	BARREL PLUG REMOVAL SPANNER	1
07900-00446	EXTRACTOR	1	07900-00725	BULLET	1
07900-00603	BARREL VICE JAWS	1	07900-00243	SCREWDRIVER	1
07900-00520	3/8" ROD	1	07900-00717	INTENSIFIER SPANNER	1
07900-00521	1/4" ROD	1	07900-00013	1/8" ALLEN KEY	1
07900-00602	'O' RING ASSEMBLY BULLET	1	07900-00617	LOCTITE MULTI-GASKET 574 50ml PACK	1
07900-00595	18mm SPANNER	1	07900-00469	2.5mm ALLEN KEY	1
07900-00434	32mm SPANNER	1	07900-00351	3mm ALLEN KEY	1
07900-00237	3/8" x 5/16" B.S.W. SPANNER	1	07900-00224	4mm ALLEN KEY	1
07900-00012	9/16" x 5/8" SPANNER	1	07900-00225	5mm ALLEN KEY	1
07900-00008	7/16" x 1/2" SPANNER	1	07992-00020	80g TIN MOLY LITHIUM GREASE EP 3753	1

Note: Spanner sizes are measured 'across flats' unless otherwise specified.

6. MAINTENANCE

Every 500,000 cycles the tool should be completely dismantled and new components should be used where worn, damaged or when recommended. All 'O' rings and seals should be renewed and lubricated with Moly Lithium grease EP 3753 before assembling.

IMPORTANT

Safety Instructions appear on page 4 - 6.

**The employer is responsible for ensuring that tool maintenance instructions are given to the appropriate personnel.
The operator should not be involved in maintenance or repair of the tool unless properly trained.**

The airline must be disconnected before any servicing or dismantling is attempted, unless specifically instructed otherwise.

It is recommended that any dismantling operation be carried out in clean conditions.

Dismantling of the 07530 MkII and 07532 MkII are covered separately. For the 07530 MkII refer to the dismantling procedures below and for the 07532 MkII refer to pages 16-18. Item numbers in bold refer to the general assemblies and parts lists for the respective model on pages 20-23.

Prior to dismantling the tool, you will need to remove the nose equipment.

For total tool servicing we advise that you proceed with the dismantling of sub-assemblies in the order shown below after having disconnected the hydraulic hose from the intensifier unit and the trigger air line from the intensifier valve, thus separating the pistol unit from the intensifier unit.

The potentially dangerous substances that could have deposited on the machine as a result of work processes must be removed before maintenance.

6.1 DISMANTLING 07530-02200 MKII

To dismantle the 07532-02200 MkII refer to pages 18-19.

TAIL JAW CYLINDER

- Manually flip the Clip **47** up and remove the End Cap **38**.
- Using an Allen Key*, remove one Cap Head Screw **44** ensuring that any trapped air in the tail jaw cylinder is exhausted. Remove the second Cap Head Screw **44**.
- Pull out Rear Plug **46**.
- Extract air tail jaw components, comprising Tail Jaw Piston Assembly **14**, Spring **13**, Jaws **9** and Jaw Housing **8**.
- Remove plug at rear of piston assembly using an Allen Key* and a bar through the large slot in the turret.
- Clean out turret using a 4.7mm (³/₁₆") drill and replace plug using a non-hardening sealing compound, e.g. Loctite Multi-gasket 574*.
- Remove piston seal 'O' Ring **10**.
- Using an Allen Key*, remove all five handle moulding securing Screws **34**, **39** and Nuts **33** from the tool handle.
- Grip Barrel **25** in a vice using soft jaws* to avoid damage.
- Using a box spanner*, unscrew Barrel Plug **7**, preventing Barrel **25** turning by using an open ended spanner*.
- Disconnect Air Tail Jaw Concertina Tube **12** from Switch Block **28** and pull Tail Jaw Cylinder **6** from tool.
- Remove 'O' Ring **4**, Rubbing Strip **15** and Barrel Return Spring **16**.
- Free length of Spring **13** should be 38.1mm (1.5"). Replace if necessary.
- Coat the tail jaws with Moly Lithium grease before assembling.
- Assemble in reverse order of dismantling.

* Refers to items included in the 0753 MkII service kit. For complete list see page 15.
Item numbers in **bold** refer to the general assemblies and parts lists on pages 22-23.

HYDRAULIC PISTON

- Remove Tail Jaw Cylinder **6** as described earlier.
- Grip Body **19** in vice using soft jaws* to avoid damage, undo Stroke Limiter **17**.
- Grip Barrel **25** in soft jaw vice, pull Body **19** from Barrel **25** (a small quantity of hydraulic oil will be ejected from inside body).
- Remove Piston **18** carefully so as not to damage body bore.
- Remove Seal **3**.
- Seal **1** is difficult to remove without damaging, but can remain in place during cleaning (provided it is not affected by cleaning process). If however, Seal **1** requires renewing proceed as follows:
- Using spatula*, prise out Seal **1** from Body **19**, taking care not to damage body cavity and bores. The removed Seal **1** MUST be discarded.
- To replace Seal **1**, unscrew Hydraulic Hose Assembly **22** and fit a spare Bleed Plug Assembly **2** screwing it in to bring inside face level with internal bore.
- Unscrew existing bleed plug until inside face is level with internal bore. This will provide a smooth passage for insertion of new Seal **1** through rear of body.
- Ensure the seal is well greased and the correct way round with the open end of the seal facing the rear tail jaws.
- Complete assembly in reverse order of dismantling.

TRIGGER ASSEMBLY

- To dismantle/service assembly, remove covers from the tool as described earlier.
- Disconnect all air hoses from assembly, taking care not to damage them. Remove assembly.
- Using a spanner*, unscrew the Retainer **49** and remove. Take care to keep the Spring **50**.
- Prise off the 'O' Ring **53** taking care not to damage the Spindle **54** and Retainer **49** seatings.
- Clean and re-assemble using a new 'O' Ring **53**.
- Check length of Spring **50** which must be 12.7mm (0.5") free length – replace if necessary.
- Assembly in reverse order of dismantling.

TAIL JAW ON/OFF VALVE

- The unit is designed so that minimum of servicing is required during the life of the tool.
- If it is necessary to dismantle valve, proceed as follows:
- Disconnect air hose from assembly, taking care not to damage them. Remove assembly.
- Using an Allen Key*, loosen Screw **27** clamping assembly to Barrel **25** and remove assembly.
- Using a screwdriver*, carefully remove the Chrome Star-lock Washer **26** from Air Tail Jaw Spool **29** and discard washer.
- Extract Air Tail Jaw Spool **29** from Switch Block **28**.
- Taking care not to damage the Air Tail Jaw Spool **29**, remove the 'O' Rings **31**.
- Clean spool and refit new 'O' Rings **31** using assembly bullet* and insert into Switch Block **28**, noting its orientation.
- Fit New Chrome Star-lock Washer **26** by clamping in vice using a soft jaw vice to prevent damage. DO NOT USE UNDUE FORCE.
- Complete assembly in reverse order of dismantling.

TAIL JAW PRESSURE NON-RETURN VALVE

- The Non-return Valve **21** is located in the tool handle.
- To remove/replace the Non-return Valve **21** depress the bulk head fittings and withdraw the Blue Plastic Tube **23** from both ends.
- When replacing the Non-return Valve **21**, note the orientation.

* Refers to items included in the 0753 MkII service kit. For complete list see page 15.
Item numbers in **bold** refer to the general assemblies and parts lists on pages 22-23.

HANDLE & END CAP

- Clean and inspect mouldings for cracks or other damage.

CURSOR

- Clean and oil Mechanical Cursor Assembly **5** occasionally with a little light oil.

IMPORTANT

**Check the tool against daily and weekly servicing.
Priming is ALWAYS necessary after the tool has been dismantled and prior to operating.**

6.2 DISMANTLING 07532-02200 MKII

To dismantle the 07530-02200 MkII refer to pages 16-18.

TAIL JAW CYLINDER

- Manually flip the Clip **54** up and remove the End Cap **45**.
- Using an Allen Key*, remove one cap head Screw **51** ensuring that any trapped air in the tail jaw cylinder is exhausted. Remove the second cap head Screw **51**.
- Push forward Rear Plug **53** against Spring **20** and release quickly to allow Rear Plug **53** to fall away.
- Extract air tail jaw components, comprising Tail Jaw Piston Assembly **21**, Spring **20**, Jaws **16** and Jaw Housing **15**.
- Remove plug at rear of piston assembly using an Allen Key* and a bar through the large slot in the turret.
- Clean out turret using a 4.7mm (³/₁₆") drill and replace plug using a non-hardening sealing compound, e.g. Loctite Multi-gasket 574*.
- Remove piston seal 'O' Ring **17**.
- Using an Allen Key*, remove all five handle moulding securing Screws **41**, **46** and Nuts **40** from the tool handle.
- Grip Barrel **31** in a vice using soft jaws* to avoid damage.
- Using a box spanner*, unscrew Barrel Plug **14**, preventing Barrel **31** turning by using an open ended spanner*.
- Disconnect Air Tail Jaw Concertina Tube **19** from Switch Block **35** and pull Tail Jaw Cylinder **12** from tool.
- Remove 'O' Ring **10**, Rubbing Strip **22** and Barrel Return Spring **13**.
- Free length of Spring **20** should be 38.1mm (1.5"). Replace if necessary.
- Coat the tail jaws with Moly Lithium grease before assembling.
- Assemble in reverse order of dismantling.

HYDRAULIC PISTON

- Remove Tail Jaw Cylinder **12** as described earlier.
- Grip Body **25** in vice using soft jaws* to avoid damage, undo Stroke Limiter **23**.
- Grip Barrel **31** in soft jaw vice, pull Body **25** from Barrel **31** (a small quantity of hydraulic oil will be ejected from inside body).
- Remove Piston **24** carefully so as not to damage body bore.
- Remove Seal **9**.
- Seal **1** is difficult to remove without damaging, but can remain in place during cleaning (provided it is not affected by cleaning process). If however, Seal **1** requires renewing proceed as follows:
- Using spatula*, prise out Seal **1** from Body **25**, taking care not to damage body cavity and bores. The removed Seal **1** MUST be discarded.

* Refers to items included in the 0753 MkII service kit. For complete list see page 15.
Item numbers in **bold** refer to the general assemblies and parts lists on pages 22-23.

- To replace Seal **1**, disconnect Hydraulic Hose Assembly **63** and all the associated air pipes. Unscrew Self Closing Coupler **6**, remove Suspension Mounting Plate **4**, unscrew the Adapter Top Hose **2** and fit a spare Bleed Plug Assembly **30** screwing it into bring the inside face level with the internal bore.
- Unscrew existing bleed plug until inside face is level with internal bore. This will provide a smooth passage for insertion of new Seal **1** through rear of body.
- Ensure the seal is well greased and the correct way round with the open end of the seal facing the rear tail jaws.
- Complete assembly in reverse order of dismantling.

TRIGGER ASSEMBLY

- To dismantle/service assembly, remove covers from the tool as described earlier.
- Disconnect all air hoses from assembly, taking care not to damage them. Remove assembly.
- Using a spanner*, unscrew the Retainer **56** and remove. Take care to keep the Spring **57**.
- Prise off the 'O' Ring **60** taking care not to damage the Spindle **61** and Retainer **56** seatings.
- Clean and re-assemble using a new 'O' Ring **60**.
- Check length of Spring **57** which must be 12.7mm (0.5") free length – replace if necessary.
- Assembly in reverse order of dismantling.

TAIL JAW ON/OFF VALVE

- The unit is designed so that minimum of servicing is required during the life of the tool.
- If it is necessary to dismantle valve, proceed as follows:
- Disconnect air hose from assembly, taking care not to damage them. Remove assembly.
- Using an Allen Key*, loosen Screw **34** clamping assembly to Barrel **31** and remove assembly.
- Using a screwdriver*, carefully remove the Chrome Star-lock Washer **33** from Air Tail Jaw Spool **36** and discard washer.
- Extract Air Tail Jaw Spool **36** from Switch Block **35**.
- Taking care not to damage the Air Tail Jaw Spool **36**, remove the 'O' Rings **38**.
- Clean spool and refit new 'O' Rings **38** using assembly bullet* and insert into Switch Block **35**, noting its orientation.
- Fit New Chrome Star-lock Washer **33** by clamping in vice using soft Jaws to prevent damage. DO NOT USE UNDUE

FORCE.

- Complete assembly in reverse order of dismantling.

TAIL JAW PRESSURE NON-RETURN VALVE

- The Non-return Valve **26** is located in the tool handle.
- To remove/replace the Non-return Valve **26** depress the bulk head fittings and withdraw Blue Plastic Tube **27** from both ends.
- When replacing the Non-return Valve **26**, note the orientation.

HANDLE & END CAP

- Clean and inspect mouldings for cracks or other damage.

CURSOR

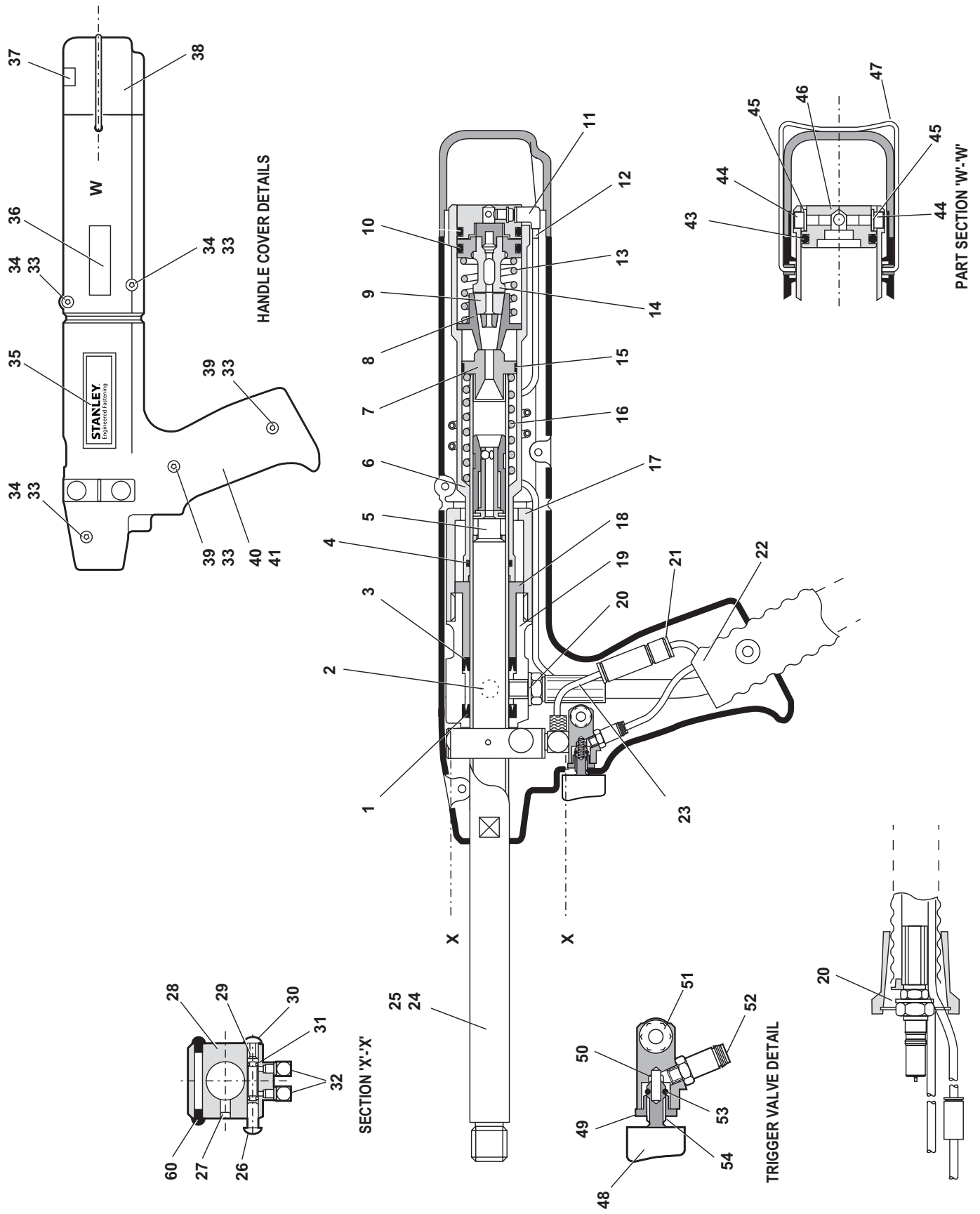
- Clean and oil Mechanical Cursor Assembly **11** occasionally with a little light oil.

IMPORTANT

**Check the tool against daily and weekly servicing.
Priming is ALWAYS necessary after the tool has been dismantled and prior to operating.**

* Refers to items included in the 0753 MkII service kit. For complete list see page 15.
Item numbers in **bold** refer to the general assemblies and parts lists on pages 22-23.

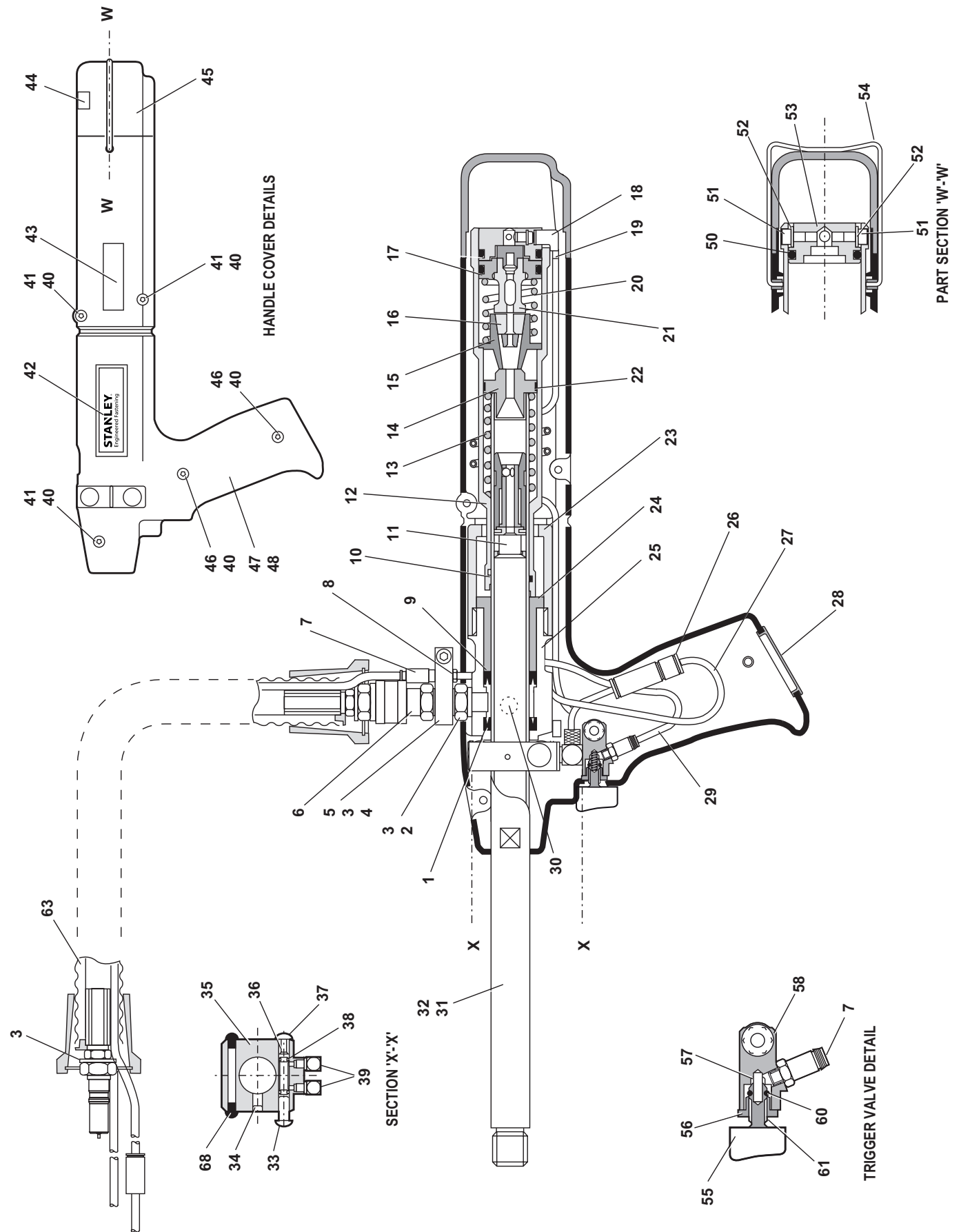
6.3 GENERAL ASSEMBLY OF BASE TOOL 07530-02200 MKII



6.4 PARTS LIST FOR BASE TOOL 07530-02200 MKII

07530-02200 PARTS LIST									
ITEM	PART N°	DESCRIPTION	QTY	SPARES	ITEM	PART N°	DESCRIPTION	QTY	SPARES
1	07003-00237	SEAL (STATIC)	1	-	30	07004-00059	1/8" STARLOCK WASHER BLACK	1	-
2	07530-00500	BLEED PLUG ASSEMBLY (ITEMS 56 to 59)	1	-	31	07003-00121	'O' RING	2	3
3	07003-00236	SEAL (DYNAMIC)	1	1	32	07005-01571	ELBOW CONNECTOR	2	-
4	07003-00167	'O' RING	1	1	33	07002-00134	M4 HEX NUT	5	-
5	07271-01100	MECHANICAL CURSOR ASSEMBLY	1	-	34	07001-00401	M4 × 10 LONG SOCKET HEAD CAP SCREW	3	-
6	07530-02207	TAIL JAW CYLINDER	1	-	35	07530-02210	LABEL	2	-
7	07530-02205	BARREL PLUG	1	-	36	07007-01504	CE MARK LABEL	1	-
8	07530-00208	JAW HOUSING	1	-	37	73200-02022	SAFETY LABEL	1	-
9	07151-00403	JAWS	2	2	38	07530-02603	END CAP	1	-
10	07003-00113	'O' RING	1	2	39	07001-00262	M4 × 22 LONG SOCKET HEAD CAP SCREW	2	-
11	07005-01972	L TYPE THREADED NIPPLE	1	-	40	07530-02601	MODIFIED HANDLE MOULDING (RIGHT)	1	-
12	07530-02211	AIR TAIL JAW CONCERTINA TUBE	1	-	41	07530-02602	MODIFIED HANDLE MOULDING (LEFT)	1	-
13	07154-00404	SPRING	1	-	43	07003-00113	'O' RING	1	-
14	07530-02800	TAIL JAW PISTON ASSEMBLY	1	-	44	07001-00504	M4 × 6 LONG SOCKET HEAD CAP SCREW	2	2
15	07530-00206	RUBBING STRIP	1	1	45	07002-00153	M4 WASHER PLASTIC	2	-
16	07490-03002	BARREL RETURN SPRING	1	-	46	07530-02213	REAR PLUG	1	-
17	07530-00204	STROKE LIMITER	1	-	47	07530-02220	CLIP	1	-
18	07530-00203	PISTON	1	-	48	07007-00300	TRIGGER BUTTON	1	-
19	07530-02202	BODY	1	-	49	07220-00803	RETAINER	1	-
20	07003-00142	1/8" BSP BONDED SEAL	2	2	50	07125-00215	SPRING	1	-
21	07005-01973	NON-RETURN VALVE	1	-	51	07530-02311	TRIGGER HOUSING	1	-
22	07008-00423	HYDRAULIC HOSE ASSEMBLY	1	-	52	07005-01357	COLLET TYPE CONNECTOR	1	-
23	07005-01083	4mm O/D BLUE PLASTIC TUBE	60 mm	-	53	07003-00022	'O' RING	1	-
24	07007-00017	DUST CAP	1	-	54	07241-00208	SPINDLE	1	-
25	07530-02201	BARREL	1	-	56	07003-00142	● BONDED SEAL	1	1
26	07004-00058	1/8" STARLOCK WASHER CHROME	1	-	57	07003-00194	● BONDED SEAL	1	1
27	07001-00404	M5 × 6 LONG SOCKET HEAD SCREW	1	-	58	07001-00442	● SCREW	1	-
28	07530-02301	SWITCH BLOCK	1	-	59	07530-00501	● PLUG	1	-
29	07530-02302	AIR TAIL JAW SPOOL	1	-	60	07530-00310	BLANKING PLUGS	2	

6.5 GENERAL ASSEMBLY OF BASE TOOL 07532-02200 MKII



6.6 PARTS LIST FOR BASE TOOL 07532-02200 MKII

07532-02200 PARTS LIST									
ITEM	PART N°	DESCRIPTION	QTY	SPARES	ITEM	PART N°	DESCRIPTION	QTY	SPARES
1	07003-00237	SEAL (STATIC)	1	-	34	07001-00404	M5 × 6 LONG SOCKET HEAD SCREW	1	-
2	07532-00203	ADAPTOR TOP HOSE	1	-	35	07530-02301	SWITCH BLOCK	1	-
3	07003-00142	1/8" BSP BONDED SEAL	4	2	36	07530-02302	AIR TAIL JAW SPOOL	1	-
4	07532-02202	SUSPENSION MOUNTING PLATE	1	-	37	07004-00059	1/8" STARLOCK WASHER BLACK	1	-
5	07532-00205	MODIFIED SCREW	1	-	38	07003-00121	'O' RING	2	3
6	07005-00759	SELF CLOSING COUPLER	1	-	39	07005-01571	ELBOW CONNECTOR	2	-
7	07005-01357	COLLET TYPE CONNECTOR	3	-	40	07002-00134	M4 HEX NUT	5	-
8	07005-01325	BARBED STRAIGHT CONNECTOR	2	-	41	07001-00401	M4 × 10 LONG SOCKET HEAD CAP SCREW	3	-
9	07003-00236	SEAL (DYNAMIC)	1	1	42	07530-02210	LABEL	2	-
10	07003-00167	'O' RING	1	1	43	07007-01504	CE MARK LABEL	1	-
11	07271-01100	MECHANICAL CURSOR ASSEMBLY	1	-	44	73200-02022	SAFETY LABEL	1	-
12	07530-02207	TAIL JAW CYLINDER	1	-	45	07530-02603	END CAP	1	-
13	07490-03002	BARREL RETURN SPRING	1	-	46	07001-00262	M4 × 22 LONG SOCKET HEAD CAP SCREW	2	-
14	07530-02205	BARREL PLUG	1	-	47	07532-02208	MODIFIED HANDLE MOULDING (RIGHT)	1	-
15	07530-00208	JAW HOUSING	1	-	48	07532-02209	MODIFIED HANDLE MOULDING (LEFT)	1	-
16	07151-00403	JAWS	2	2	50	07003-00113	'O' RING	1	-
17	07003-00113	'O' RING	1	2	51	07001-00504	M4 × 6 LONG SOCKET HEAD CAP SCREW	2	2
18	07005-01972	L TYPE THREADED NIPPLE	1	-	52	07002-00153	M4 WASHER PLASTIC	2	-
19	07530-02211	AIR TAIL JAW CONCERTINA TUBE	1	-	53	07530-02213	REAR PLUG	1	-
20	07154-00404	SPRING	1	-	54	07530-02220	CLIP	1	-
21	07530-02800	TAIL JAW PISTON ASSEMBLY	1	-	55	07007-00300	TRIGGER BUTTON	1	-
22	07530-00206	RUBBING STRIP	1	1	56	07220-00803	RETAINER	1	-
23	07530-00204	STROKE LIMITER	1	-	57	07125-00215	SPRING	1	-
24	07530-00203	PISTON	1	-	58	07530-02311	TRIGGER HOUSING	1	-
25	07530-02202	BODY	1	-	60	07003-00022	'O' RING	1	-
26	07005-01973	NON-RETURN VALVE	1	-	61	07241-00208	SPINDLE	1	-
27	07005-01083	4mm O/D BLUE PLASTIC TUBE	350 mm	-	63	07008-00414	HYDRAULIC HOSE ASSEMBLY	1	-
28	07532-02215	SEALING PLUG	1	-	64	07003-00142	● BONDED SEAL	1	1
29	07005-01084	4mm O/D BLACK PLASTIC TUBE	220 mm	-	65	07003-00194	● BONDED SEAL	1	1
30	07530-00500	BLEED PLUG ASSEMBLY (ITEMS 64 to 67)	1	-	66	07001-00442	● SCREW	1	-
31	07530-02201	BARREL	1	-	67	07530-00501	● PLUG	1	-
32	07007-00017	DUST CAP	1	-	68	07530-00310	BLANKING PLATE	2	-
33	07004-00058	1/8" STARLOCK WASHER CHROME	1	-					

6.7 INTENSIFIER 07531-02200 - MAINTENANCE

Dismantling Instructions

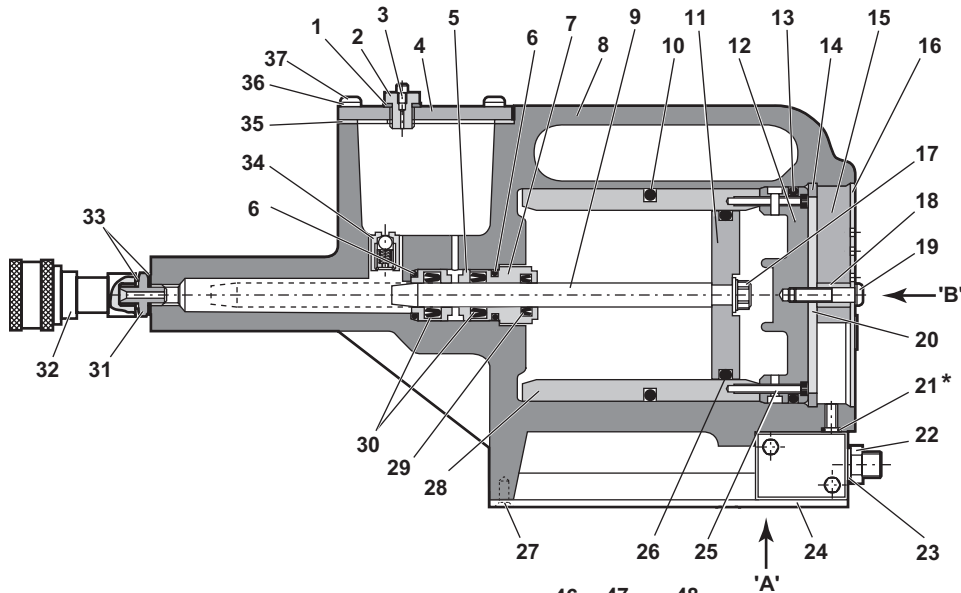
- When dismantling the intensifier assembly, first disconnect the air supply hose to intensifier inlet Connector **22**.
- Using an Allen Key* undo four Screws **27** and remove Protection Plate **24**.
- Disconnect the trigger hose (item 22 on page 20 or item 29 on page 22) from the intensifier Valve **43** or **48** by depressing the outlet collet and withdrawing the hose.
- Remove Cover Plate **4** and Gasket **35** by removing Screws **37** and Washers **36** using Allen Key*.
- Ensure that gasket is not damaged to ensure a proper seal on assembly.
- Invert intensifier assembly and drain oil from reservoir into a suitable container.
- Remove Quick Release Connector **32** together with Connector **31** and Seals **33** with suitable spanner*.
- Remove intensifier Valve **43** or **48** by removing the fixing screws with a suitable spanner taking care to retain 'O' Ring **21** located in the Intensifier Body Casting.
- Remove Screw **19** using a suitable Allen Key* and remove Silencer Cover **16**, Foam Silencer **15**, Spacer **18** and Retaining Plate **20**.
- Pull off the 6mm Plastic Tube **41** from Vacuum Connectors **42**.
- From the base of the intensifier insert a 3mm Allen Key * through the two holes and unscrew the Vacuum Connectors **42**. Note:
 - Care must be taken as the vacuum connectors are locked and sealed in place using Loctite 574.
 - If difficult to remove, the vacuum connectors can be drilled out using a $\frac{3}{16}$ " or 4.7mm diameter drill.
- To reassemble the Vacuum Connectors **42**, the following procedure must be followed: -
 - Soak the vacuum connectors in a suitable primer, i.e. Perma Bond A905
 - Place a drop of Loctite 574 in the intensifier threaded hole.
 - From the base of the intensifier insert the Allen Key * through the hole. Ensure that the Allen Key * is free from Loctite 574 before inserting into the vacuum connector.
 - Rotate the Allen Key while applying Loctite 574 to the base of the vacuum connector.
 - Screw the Vacuum connector into the intensifier, ensuring that there is sufficient Loctite 574 at the base of the fitting such the thread is not visible.
- Using a screwdriver, carefully remove internal Retaining Ring **14**. Clean and inspect groove for sign of damage.
- Using Extractor*, insert male threaded end into End Cover **12** and withdraw it along with intensifier Sleeve **28** and 'O' Rings **10** and **13**.
- Insert Rod* through the connector orifice at the front of the intensifier body and tap out Piston Rod **9** and Piston Assembly.
- Using a suitable Allen Key*, unscrew two Screws **25** and remove End Cover **12** from intensifier Sleeve **28**.
- Remove Seal Plug **7** with spanner*.
- Insert rod* through connector orifice at the front of the intensifier body and push out Seal Housing 5 and associated 'O' rings and lip seals.
- Remove Valve Housing Assembly **34** from the main body with a suitable spanner*. Clean by blowing through with a low-pressure air jet.
- Remove Piston Rod **9** from intensifier Air Piston **11** by gripping the first 20 mm ($\frac{3}{4}$ ") of the rod in a vice fitted with soft jaws, taking care not to damage or mark the working surface.
- Unscrew locking Nut **17** with a suitable spanner*.
- Assemble in the reverse order of dismantling, observing the following:
 - Clean all parts and renew all 'O' rings.
 - Lubricate all seals using Moly Lithium grease.
 - Valve Housing Assembly **34** must be refitted using a thread sealing adhesive.
 - Assemble the Piston Assembly using a new Nut **17**.

* Refers to items included in the 0753 MkII service kit. For complete list see page 15.
Item numbers in **bold** refer to the illustration and parts list opposite.

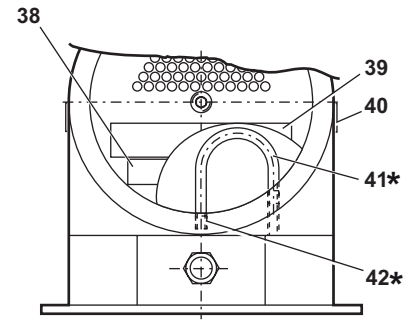
- End Cover **12** must be fitted correctly inside Retaining Ring **14**. The tool must not be operated if the end cover has been omitted.

IMPORTANT
Priming is ALWAYS necessary after the tool has been dismantled and prior to operating.

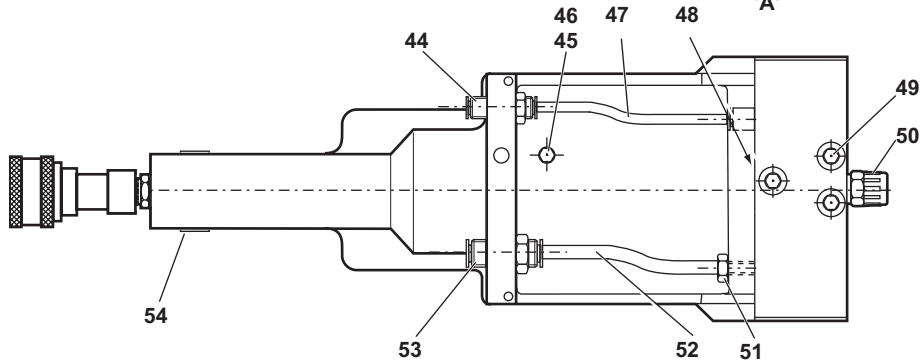
6.8 INTENSIFIER 07531-02200



Note
 * Some units will not include these items
 (The required link is achieved via internal porting)

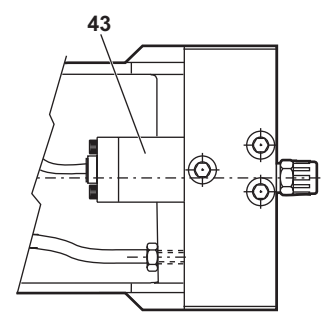


VIEW ON ARROW 'B'



VIEW ON ARROW 'A'

VIEW ILLUSTRATING FESTO VALVE



VIEW ILLUSTRATING COMPAIR VALVE

* Refers to items included in the 0753 MkII service kit. For complete list see page 15. Item numbers in **bold** refer to the illustration and parts list opposite.

07531-02200 PARTS LIST									
ITEM	PART N°	DESCRIPTION	QTY	SPARES	ITEM	PART N°	DESCRIPTION	QTY	SPARES
1	07003-00037	SEAL	1	1	28	07531-00201	SLEEVE	1	-
2	07240-00211	FILLER SCREW	1	-	29	07003-00337	LIP SEAL	1	1
3	07001-00418	BLEED SCREW	1	1	30	07003-00336	LIP SEAL	2	2
4	07240-00210	COVER PLATE	1	-	31	07005-00406	CONNECTOR	1	-
5	71420-02006	SEAL HOUSING	1	-	32	07005-00759	QUICK RELEASE CONNECTOR	1	-
6	07003-00153	'O' RING	2	-	33	07003-00142	SEAL	2	1
7	71420-02007	SEAL PLUG	1	-	34	07240-00400	VALVE HOUSING ASSEMBLY	1	-
8	71420-02300	BODY ASSEMBLY	1	-	35	07240-00209	GASKET	1	1
9	71420-02008	PISTON ROD	1	-	36	07002-00073	WASHER	4	1
10	07003-00182	'O' RING	1	1	37	07001-00554	SCREW	4	1
11	07531-00202	AIR PISTON	1	-	38	07007-01504	LABEL	1	-
12	07531-00204	END COVER	1	-	39	07240-00217	LABEL	1	-
13	07003-00183	'O' RING	1	1	40	07531-00205	LABEL	2	-
14	07004-00069	RETAINING RING	1	1	41	07005-00596	* 6mm PLASTIC TUBE	-	-
15	07240-00213	FOAM SILENCER	1	1	42	07245-00103	* VACUUM CONNECTOR	2	-
16	07240-00214	SILENCER COVER	1	-	43	07005-00590	COMPAIR VALVE	1	1
17	07002-00017	NUT	1	1	44	07005-01431	BULKHEAD CONNECTOR	1	1
18	07240-00215	SPACER	1	-	45	07005-00668	M5 PLUG	1	-
19	07001-00417	SCREW	1	1	46	07005-00670	M5 SEALING RING	1	-
20	07240-00216	RETAINING PLATE	1	-	47	07005-01084	4mm PLASTIC TUBE (150mm)	-	-
21	*07003-00042	'O' RING	1	1	48	07005-01524	FESTO VALVE	1	-
22	07005-00041	CONNECTOR	1	-	49	07001-00176	SCREW	3	-
23	07003-00065	WASHER	1	-	50	07007-00292	1/4" BSP REDCAP	1	-
24	07240-00220	PROTECTION PLATE	1	-	51	07005-00647	CONNECTOR	1	-
25	07001-00375	SCREW	2	-	52	07005-01085	6mm PLASTIC TUBE (150mm)	-	-
26	07003-00238	'O' RING	1	1	53	07005-00855	BULKHEAD UNION	1	-
27	07001-00396	SCREW	4	-	54	73200-02022	SAFETY LABEL	1	-

6.9 PILOT VALVE 07005-00590 - MAINTENANCE

Dismantling Instructions

Please note that these service instructions refer to the Compair valve where fitted.

Servicing of the valve is limited to the removal/replacement of 'O' rings.

- Remove Screws **24** and remove pilot assembly.
- Remove Piston **11** and discard 'O' Rings **3, 10, 4** and **5**.
- Remove Screws **26** and **21** and remove End Caps **22** and **25**.
- Withdraw Pistons **12** and **18** and remove 'O' Rings **7** and **9** from pistons.
- Withdraw Spool **16** from bore, taking care not to damage surface of spool and remove location Washers **14** and **17**, 'O' Ring **8**, Spacers **15** and 'O' Ring **6** from each end of valve body.
- Remove five interface 'O' Rings **4**.
- Discard ALL 'O' rings removed.
- Clean all parts with paraffin or white spirit. DO NOT USE SOLVENTS. Dry all parts.
- Lightly smear bores of valve Body **23**, pilot valve Body **19**, both End Caps **22** and **25** and all replacement 'O' rings with CENTOPLEX 2 grease.
- Fit new 'O' Rings **10, 4** and **5** to Piston **11** and insert into pilot valve body.
- Fit new 'O' Rings **3, 10** and **6** to pilot valve body, place Top Cap **20** in position and secure pilot valve assembly to main valve Body **23** with Screws **24**. Ensure that the interface seal housing faces upward with the G1/4 at the bottom. Ensure orientation of Piston **11** is correct.
- With main valve Body **23** in the same position, fit green location Washer **17** to the left hand side of the valve assembly.
- Starting from the right hand side of the valve, assemble alternately 'O' Rings **8** and Spacers **15** (6 seals and 5 spacers) and finally complete the stack assembly with white location Washer **14**.
- Lightly smear Spool **16** with CENTOPLEX 2 grease, supplied with the service kit, and slide spool through seal/spacer stack.
- Fit 'O' Rings **9** and **7** to respective Pistons **18** and **12**, fit 'O' Rings **6** to ends of main valve Body **23**.
- Insert pistons into End Caps **25** and **22** and assemble end caps to valve, taking care to locate piston shafts into holes in the ends of Spool **16**.
- Secure end cap assemblies to main valve Body **23** with Screws **26** and **21**.
- Fit interface 'O' Rings **4** into their housings in the main valve body.
- If the pipe connection to the pilot assembly is damaged, replace Plastic Collet **2** and lift out the 'O' Ring **1** from Cartridge **27**.
- Fit new 'O' Ring **1** and insert Plastic Collet **2** into Cartridge **27**.

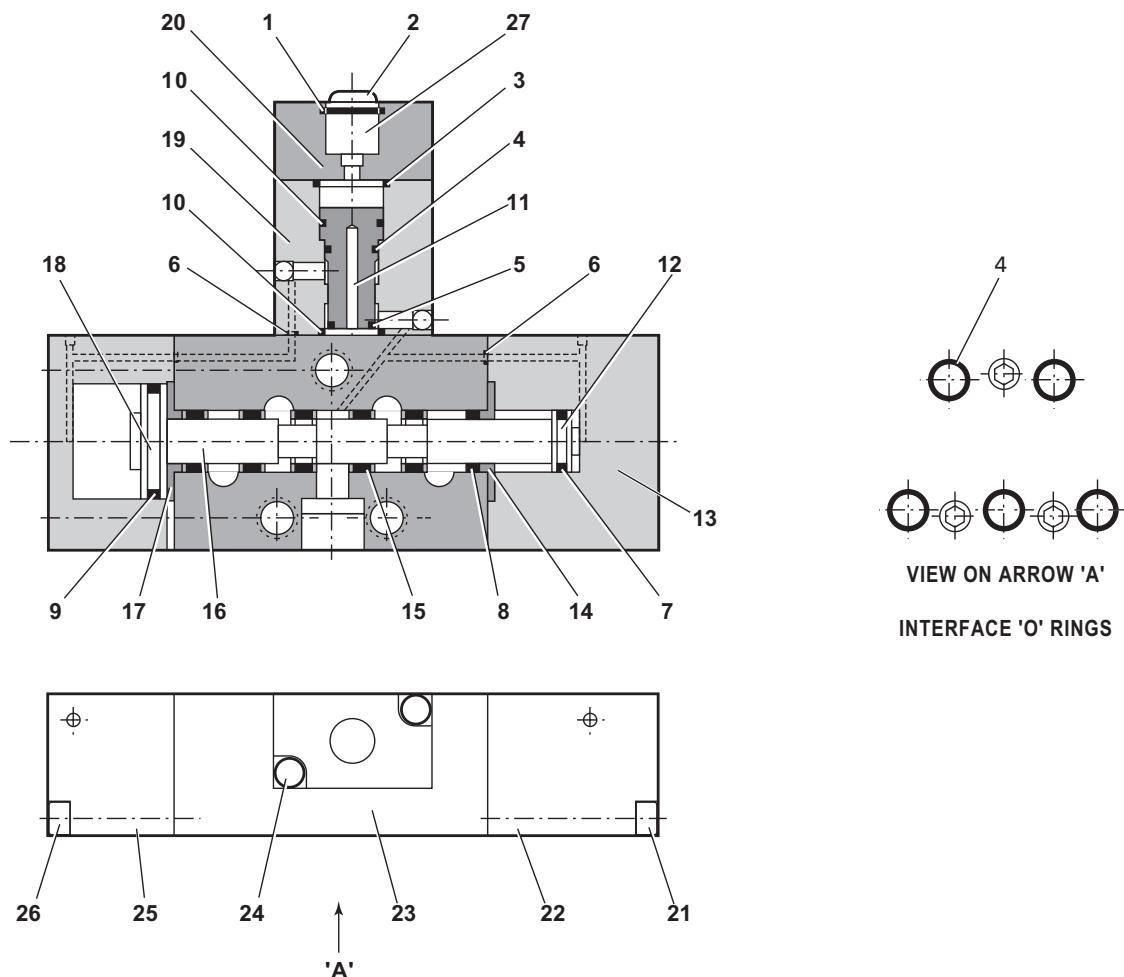
6.10 PROTECTING THE ENVIRONMENT

Assure conformity with applicable disposal regulations. Dispose all waste products at an approved waste facility or site so as not to expose personnel and the environment to hazards.

IMPORTANT

Priming is ALWAYS necessary after the tool has been dismantled and prior to operating.

6.11 PILOT VALVE 07005-00590 - SPARES INFORMATION



07005-00590 VALVE PARTS LIST									
ITEM	PART N°	DESCRIPTION	QTY	SPARES	ITEM	PART N°	DESCRIPTION	QTY	SPARES
1	07005-00599	* 'O' RING	-	-	15	-	† SPACER	5	-
2	07005-00598	* PLASTIC COLLET	-	-	16	-	† SPOOL	1	-
3	07003-00204	* 'O' RING	1	-	17	-	† WASHER	1	-
4	07003-00103	* 'O' RING	6	-	18	-	† PISTON	1	-
5	07003-00042	* 'O' RING	1	-	19	-	† BODY	1	-
6	07003-00121	* 'O' RING	4	-	20	-	† TOP CAP	1	-
7	08005-00127	* 'O' RING	1	-	21	-	† SCREW	2	-
8	07003-00105	* 'O' RING	6	-	22	-	† END CAP	1	-
9	07003-00178	* 'O' RING	1	-	23	-	† BODY	1	-
10	07003-00017	* 'O' RING	2	-	24	-	† SCREW	2	-
11	-	† PISTON	1	-	25	-	† END CAP	1	-
12	-	† PISTON	1	-	26	-	† SCREW	2	-
13	07005-00590	VALVE ASSEMBLY	-	-	27	-	† CARTRIDGE	1	-
14	-	† WASHER	1	-					

* Together these items make up a Service Kit for the valve with the addition of one Centplex 2 tube of grease, the kit is available from Avdel, part number 07005-01538.

† Not available as a spare

7. PRIMING

Priming is ALWAYS necessary after the tool has been dismantled and prior to operating. It may also be necessary to restore the full stroke after considerable use, when the stroke may be reduced and fasteners are not fully placed by one operation of the trigger.

7.1 OIL DETAILS

The recommended oil for priming is Hyspin VG32 and AWS 32 available in 0.5l (part number 07992-00002) or one gallon containers (part number 07992-00006). Please see safety data below.

7.2 HYSPIN VG 32 AND AWS 32 OIL SAFETY DAT

First Aid

SKIN:

Wash thoroughly with soap and water as soon as possible. Casual contact requires no immediate attention. Short term contact requires no immediate attention.

INGESTION:

Seek medical attention immediately. DO NOT induce vomiting.

EYES:

Irrigate immediately with water for several minutes. Although NOT a primary irritant, minor irritation may occur following contact.

Fire

Suitable extinguishing media: CO₂, dry powder, foam or water fog. DO NOT use water jets.

Environment

WASTE DISPOSAL: Through authorised contractor to a licensed site. May be incinerated. Used product may be sent for reclamation.

SPILLAGE: Prevent entry into drains, sewers and water courses. Soak up with absorbent material.

Handling

Wear eye protection, impervious gloves (e.g. of PVC) and a plastic apron. Use in well ventilated area.

Storage

No special precautions.

7.3 PRIMING PROCEDURE

IMPORTANT

DO NOT OPERATE THE TRIGGER WHILE THE BLEED SCREW IS REMOVED

All operations should be carried out on a clean bench, with clean hands in a clean area.

Ensure that the new oil is perfectly clean and free from air bubbles.

Care **MUST** be taken at all times, to ensure that no foreign matter enters the tool, or serious damage may result.

- Remove Screw **2** and Seal **1** from Plastic Cover plate **4** on the intensifier reservoir.
- Pour the priming oil into the reservoir until it is approximately 1/2" (12mm) from the top.
- Replace Screw **2** and Seal **1**.
- Connect the intensifier unit to the air supply. Remove screw from reservoir.
- With the pistol unit fitted to the intensifier unit and held below the level of the intensifier unit, unscrew Bleed Screw **58** from Bleed Plug Assembly **2** on the 07530 Mk II tool or Bleed Screw **66** from Bleed Plug Assembly **30** on the 07532 Mk II tool two turns and allow oil to flow out of the tool.
- When the oil runs freely and free of air bubbles, tighten the bleed screw.
- Top up the reservoir on the intensifier unit with priming oil.
- Cycle the tool until any air bubbles present in the oil are expelled into the oil reservoir.

Item numbers in **bold** refer to the general assemblies and parts lists pages 20-23.

8. FAULT DIAGNOSIS

SYMPTOM	POSSIBLE CAUSE	REMEDY	PAGE REF.
Tool will not place fastener	Low air pressure.	Increase air pressure	
	Lack of lubrication.	Lubricate tool at air inlet point	
	High broach load.	Check fastener grip and application hole size	
	Check for correct size mandrel.		
	Worn or broken tail jaws.	New tail jaws	
	Tail jaws switched off.	Switch on tail jaws	
	Air in hydraulic system.	See 'Priming Procedure'	29
'Mandrel Slip' - jaws will not grip mandrel	Worn or dirty tail jaws.	Clean or renew as necessary	
	'Insufficient air pressure/volume.	Increase air pressure/volume	
	'Tail jaw switch inoperable.	Replace switch	
	'Air leaks to tail jaws.	Renew 'O' rings on piston 8	
	Mandrel broken and not reaching tail jaws.	Replace mandrel	
	Defective non-return valve.	Replace non-return valve	
Jaws will not release mandrel	Dirty tail jaws or jaw housing.	Clean and lubricate	
	Faulty tail jaw switch.	Replace 'O' rings	
Fasteners will not feed through nose jaws	Tail jaws not switched on.	Switch on tail jaws	
	Worn tail jaws.	Renew tail jaws	
	Cursor orientation incorrect.	Refit, ensuring correct orientation	
	Incorrect cursor	Fit correct cursor	
	Incorrect nose jaws.	Fit correct nose jaws	
	Mandrel follower spring not fitted.	Fit correct mandrel follower spring	
	Incorrect gap between fastener head and nose jaws when loaded.	Set gap to 1.5mm - 3mm ($1/16'' - 1/8''$) See 'Loading the Tool'	13
	Cursor sticking.	Clean and oil cursor	
	Weak outer spring around cursor.	Renew cursor	
Incorrect mandrel follower spring fitted.	Fit correct mandrel follower spring		
Excessive tail jaw wear	High broach load.	Check application hole size and thickness and fastener grip capability	
Feeding more than one fastener at a time	Mandrel slip.	Check as for 'Mandrel Slip', stage 2	
	Incorrect gap between fastener head and nose jaws when loaded	Set gap to 1.5mm - 3mm ($1/16'' - 1/8''$) See 'Loading the Tool' on page	13

Other symptoms or failures should be reported to your local Avdel authorised distributor or repair centre.

NOTES

9. EC DECLARATION OF CONFORMITY

We, **Stanley Engineered Fastening, Stanley House, Works Road, Letchworth Garden City, Hertfordshire, SG6 1JY UNITED KINGDOM**, declare under our sole responsibility that the product:

Description: **Hydro-Pneumatic Repetition Tool for Speed Rivets**

Model: **07530 / 07531 / 07532**

to which this declaration relates is in conformity with the following harmonized standards:

ISO 12100:2010	EN ISO 3744:2010
EN ISO 11202:2010	EN ISO 11148-1:2011
EN ISO 4413:2010	BS EN 28662-1:1993
EN ISO 4414:2010	EN ISO 20643:2008+A1:2012
EN ISO 28927-5:2009+A1:2015	ES100118-rev 17:2017

Technical documentation is compiled in accordance with Annex VII, in accordance with the following Directive: **2006/42/EC The Machinery Directive** (Statutory Instruments 2008 No 1597 - The Supply of Machinery (Safety) Regulations refers).

The undersigned makes this declaration on behalf of STANLEY Engineered Fastening



A. K. Seewraj
Director of Engineering, UK

Avdel UK Limited, Stanley House, Works Road, Letchworth Garden City, Hertfordshire,
SG6 1JY UNITED KINGDOM

Place of issue: **Letchworth Garden City, UK**

Date of issue: **27/08/2021**

The undersigned is responsible for compilation of the technical file for products sold in the European Union and makes this declaration on behalf of Stanley Engineered Fastening.

Matthias Appel
Team Leader Technical Documentation
Stanley Engineered Fastening, Tucker GmbH, Max-Eyth-Str.1,
35394 Gießen, Germany

 **This machinery is in conformity with
Machinery Directive 2006/42/EC**

STANLEY
Engineered Fastening

10.UK DECLARATION OF CONFORMITY

We, **Stanley Engineered Fastening, Stanley House, Works Road, Letchworth Garden City, Hertfordshire, SG6 1JY UNITED KINGDOM**, declare under our sole responsibility that the product:

Description: **Hydro-Pneumatic Repetition Tool for Speed Rivets**


Model: **07530 / 07531 / 07532**

to which this declaration relates is in conformity with the following designated standards:

ISO 12100:2010	EN ISO 3744:2010
EN ISO 11202:2010	EN ISO 11148-1:2011
EN ISO 4413:2010	BS EN 28662-1:1993
EN ISO 4414:2010	EN ISO 20643:2008+A1:2012
EN ISO 28927-5:2009+A1:2015	ES100118-rev 17:2017

Technical documentation is compiled in accordance with the Supply of Machinery (Safety) Regulations 2008, S.I. 2008/1597 (as amended).

The undersigned makes this declaration on behalf of STANLEY Engineered Fastening



A. K. Seewraj

Director of Engineering, UK

Avdel UK Limited, Stanley House, Works Road, Letchworth Garden City, Hertfordshire,
SG6 1JY UNITED KINGDOM

Place of issue: **Letchworth Garden City, UK**

Date of issue: **27/08/2021**



This machinery is in conformity with
Supply of Machinery (Safety) Regulations 2008,
S.I. 2008/1597 (as amended)

11. PROTECT YOUR INVESTMENT!

Stanley® Engineered Fastening BLIND RIVET TOOL WARRANTY

STANLEY® Engineered Fastening warrants that all power tools have been carefully manufactured and that they will be free from defect in material and workmanship under normal use and service for a period of one (1) year.

This warranty applies to the first time purchaser of the tool for original use only.

Exclusions:

Normal wear and tear.

Periodic maintenance, repair and replacement parts due to normal wear and tear are excluded from coverage.

Abuse & Misuse.

Defect or damage that results from improper operation, storage, misuse or abuse, accident or neglect, such as physical damage are excluded from coverage.

Unauthorized Service or Modification.

Defects or damages resulting from service, testing adjustment, installation, maintenance, alteration or modification in any way by anyone other than STANLEY® Engineered Fastening, or its authorized service centres, are excluded from coverage.

All other warranties, whether expressed or implied, including any warranties of merchantability or fitness for purpose are hereby excluded.

Should this tool fail to meet the warranty, promptly return the tool to our factory authorized service centre location nearest you. For a list of STANLEY® Engineered Fastening Authorized Service Centres in the US or Canada, contact us at our toll free number (877)364 2781.

Outside the US and Canada, visit our website www.StanleyEngineeredFastening.com to find your nearest STANLEY Engineered Fastening location.

STANLEY Engineered Fastening will then replace, free of charge, any part or parts found by us to be defective due to faulty material or workmanship, and return the tool prepaid. This represents our sole obligation under this warranty.

In no event shall STANLEY Engineered Fastening be liable for any consequential or special damages arising out of the purchase or use of this tool.

Register Your Blind Rivet Tool online.

To register your warranty online, visit us at

<https://www.stanleyengineeredfastening.com/support/warranty-registration-form>

Thank you for choosing a STANLEY® Engineered Fastening's Stanley Assembly Technologies Brand tool.

©2021 STANLEY Black & Decker
Tous droits réservés.

Les renseignements fournis ne peuvent pas être reproduits et/ou rendus publics d'aucune façon et par aucun moyen (électronique ou mécanique) sans autorisation écrite et explicite préalable de STANLEY Engineered Fastening. Les renseignements fournis sont basés sur des données connues au moment de l'introduction de ce produit. STANLEY Engineered Fastening applique une politique d'amélioration en permanence des produits et par conséquent, les produits peuvent être modifiés. Les renseignements fournis sont applicables au produit tels que présentés par STANLEY Engineered Fastening. Par conséquent, STANLEY Engineered Fastening ne peut pas être tenu responsable des dommages résultant de différences par rapport aux caractéristiques initiales du produit.

Les renseignements disponibles ont été rédigés avec la plus grande attention. Cependant, STANLEY Engineered Fastening n'acceptera aucune responsabilité quant au respect de toute erreur dans ces renseignements ni les conséquences qui en découleraient. STANLEY Engineered Fastening n'acceptera aucune responsabilité quant aux dommages résultant d'activités effectuées par des tiers. Les noms de travail, les noms commerciaux, les marques déposées, etc. utilisés par STANLEY Engineered Fastening ne doivent pas être considérés comme étant libres, en vertu de la loi relative à la protection des marques de commerce.

TABLE DES MATIÈRES

1. DÉFINITIONS LIÉES À SÉCURITÉ.....	38
1.1 RÈGLES GÉNÉRALES DE SÉCURITÉ.....	38
1.2 RISQUES LIÉS AUX PROJECTILES.....	38
1.3 RISQUES LIÉS À L'UTILISATION.....	39
1.4 RISQUES LIÉS AUX MOUVEMENTS RÉPÉTITIFS	39
1.5 RISQUES LIÉS AUX ACCESSOIRES.....	39
1.6 RISQUES EN MILIEU DE TRAVAIL	39
1.7 RISQUES LIÉS AU BRUIT.....	40
1.8 RISQUES LIÉS À LA VIBRATION.....	40
1.9 INSTRUCTIONS DE SÉCURITÉ SUPPLÉMENTAIRES POUR LES OUTILS PNEUMATIQUES ET HYDRAULIQUES.....	40
2. CARACTÉRISTIQUES	41
2.1 CARACTÉRISTIQUES DE L'OUTIL DE TYPE 0753 MK II	41
2.2 CARACTÉRISTIQUE DE L'INTENSIFICATEUR 07531.....	41
3. UTILISATION PRÉVUE	42
3.1 DIMENSIONS DE L'OUTIL – MODÈLE 07530 MKII	43
3.2 DIMENSIONS DE L'OUTIL – MODÈLE 07532 MKII	43
4. MISE EN SERVICE.....	44
4.1 ALIMENTATION EN AIR	44
4.2 CURSEUR.....	46
4.3 CHARGEMENT ET RECHARGEMENT DE L'OUTIL	46
4.4 MODE DE FONCTIONNEMENT.....	47
4.5 MISE EN PLACE DE L'ÉQUIPEMENT.....	47
5. ENTRETIEN DE L'OUTIL	48
5.1 QUOTIDIENNEMENT.....	48
5.2 HEBDOMADAIRE	48
5.3 FICHE SIGNALÉTIQUE DE LA GRAISSE MOLY LITHIUM EP 3753.....	48
5.4 NÉCESSAIRE D'ENTRETIEN	49
6. ENTRETIEN.....	50
6.1 DÉMONTAGE DE 07530-02200 MKII.....	50
6.2 DÉMONTAGE DE 07532-0200 MKII.....	52
6.3 ASSEMBLAGE GÉNÉRAL DE L'OUTIL DE BASE 07530--02200 MKII.....	55
6.4 LISTE DE PIÈCES POUR L'OUTIL DE BASE 07530--02200 MKII	56
6.5 ASSEMBLAGE GÉNÉRAL DE L'OUTIL DE BASE 07532-02200 MKII	57
6.6 LISTE DE PIÈCES POUR L'OUTIL DE BASE 07532--02200 MKII	58
6.7 INTENSIFICATEUR 07531-02200 – ENTRETIEN	59
6.8 INTENSIFICATEUR 07531-02200.....	60
6.9 VANNE PILOTE 07005-00590 – ENTRETIEN	62
6.10 PROTÉGER L'ENVIRONNEMENT	62
6.11 VANNE PILOTE 07005-00590 – INFORMATIONS SUR LES PIÈCES DE RECHANGE	63
7. AMORÇAGE	64
7.1 DÉTAILS SUR L'HUILE.....	64
7.2 FICHES SIGNALÉTIQUES DES HUILES HYSPIV VG 32 ET AWS 32.....	64
7.3 MODE D'AMORÇAGE.....	64
8. DIAGNOSTIC DE PANNE.....	65
9. DÉCLARATION DE CONFORMITÉ CE	67
10. DÉCLARATION DE CONFORMITÉ R-U.....	68
11. PROTÉGEZ VOTRE INVESTISSEMENT!.....	69



Ce guide d'utilisation doit être lu par toute personne qui installe ou utilise cet outil avec une attention particulière aux règles de sécurité suivantes.



Portez toujours une protection oculaire résistant aux impacts durant l'utilisation de l'outil. Le niveau de protection requis doit être évalué pour chaque utilisation.







Utilisez une protection auditive conforme aux instructions de l'employeur et tel que requis par les réglementations liées à la santé et la sécurité au travail.



L'utilisation de l'outil peut exposer les mains de l'utilisateur aux risques, incluant l'écrasement, les impacts, les coupes, les éraflures et la chaleur. Portez des gants appropriés pour protéger vos mains.

1. DÉFINITIONS LIÉES À SÉCURITÉ

Les définitions suivantes décrivent le niveau de sévérité pour chaque mot-indicateur. Veuillez lire le guide et porter attention à ces symboles.

-  **DANGER** : Indique une situation dangereuse imminente qui, si elle ne peut être évitée, entraînera la mort ou des blessures graves.
-  **AVERTISSEMENT** : Indique une situation potentiellement dangereuse qui, si elle ne peut être évitée, pourrait entraîner la mort ou des blessures graves.
-  **ATTENTION** : Indique une situation potentiellement dangereuse qui, si elle n'est pas évitée, peut entraîner une blessure légère ou modérée.
-  **ATTENTION** : Utilisé sans le symbole d'alerte de sécurité indique une situation potentiellement dangereuse qui, si elle n'est pas évitée, peut entraîner des dommages matériels.

Une utilisation ou un entretien inappropriés de ce produit pourrait entraîner une blessure grave ou des dommages matériels. Lisez et comprenez tous les avertissements et toutes les instructions d'utilisation avant d'utiliser cet équipement. Lorsque vous utilisez des outils électriques, des consignes de sécurité de base doivent être suivies afin de réduire le risque de blessures corporelles.

CONSERVEZ TOUS LES AVERTISSEMENTS ET LES INSTRUCTIONS POUR RÉFÉRENCE ULTÉRIEURE

1.1 RÈGLES GÉNÉRALES DE SÉCURITÉ

- Pour les risques multiples, lisez et comprenez les consignes de sécurité avant d'installer, d'utiliser, de réparer, d'entretenir, de changer les accessoires ou de travailler près de l'outil. Ne pas le faire peut entraîner une blessure corporelle grave.
- Seulement les utilisateurs formés et qualifiés doivent installer, ajuster ou utiliser l'outil.
- NE PAS utiliser dans un autre but que la mise en place des rivets aveugles de STANLEY Engineered Fastening.
- Utilisez seulement des pièces, des fixations et des accessoires recommandés par le fabricant.
- NE PAS modifier l'outil. Les modifications peuvent réduire l'efficacité des mesures de sécurité et augmenter les risques pour l'utilisateur. Toute modification de l'outil entreprise par le client sera l'entière responsabilité du client et annulera toute garantie applicable.
- Ne pas jeter les consignes de sécurité; donnez-les à l'utilisateur.
- Ne pas utiliser l'outil s'il a été endommagé.
- Avant d'utiliser, vérifiez si les pièces en mouvement sont mal alignées ou fixes, s'il y a des bris des pièces et tout autre état qui affecte l'utilisation de l'outil électrique. S'il est endommagé, faites réparer l'outil avant de l'utiliser. Retirez toute clé de réglage avant de l'utiliser.
- Les outils doivent être inspectés régulièrement afin de vérifier les caractéristiques nominales et les inscriptions requises par cette partie de la norme ISO 11148 sont indiquées lisiblement sur l'outil. L'employeur/utilisateur doit contacter le fabricant pour obtenir des étiquettes de remplacement au besoin.
- L'outil doit être maintenu dans un état de fonctionnement sécuritaire en tout temps, vérifié régulièrement pour des dommages et utilisé par du personnel qualifié. Toute procédure de démontage sera entreprise seulement par du personnel qualifié. Ne pas démonter cet outil sans référence préalable aux instructions d'entretien.

1.2 RISQUES LIÉS AUX PROJECTILES

- Débranchez l'outil de l'alimentation en air avant d'effectuer tout entretien, d'essayer de régler, d'installer ou de retirer un embout ou des accessoires.
- Sachez que la défaillance de la pièce de travail ou des accessoires ou même l'outil inséré lui-même peut générer des projectiles à haute vitesse.
- Portez toujours une protection oculaire résistant aux impacts durant l'utilisation de l'outil. Le niveau de protection requis doit être évalué pour chaque utilisation.

- Les risques pour autrui doivent aussi être évalués à ce moment.
- Assurez-vous que la pièce de travail est fixée solidement.
- Assurez-vous que le moyen de protection contre l'éjection de la fixation et/ou du mandrin est en place et fonctionnelle.
- Prémunissez-vous contre l'éjection puissante possible des mandrins à l'avant de l'outil.
- NE PAS utiliser un outil qui est dirigé vers toute personne.

1.3 RISQUES LIÉS À L'UTILISATION

- L'utilisation de l'outil peut exposer les mains de l'utilisateur aux risques, incluant l'écrasement, les impacts, les coupes, les éraflures et la chaleur. Portez des gants appropriés pour protéger vos mains.
- Les utilisateurs et le personnel d'entretien doivent être physiquement en mesure de manipuler le volume, le poids et la puissance de l'outil.
- Tenez l'outil correctement; soyez prêt à contrer les mouvements normaux ou brusques et ayez les deux mains disponibles.
- Gardez les poignées sèches, propres et exemptes d'huile et de graisse.
- Maintenez une position corporelle équilibrée et un aplomb solide lorsque vous utilisez l'outil.
- Relâchez le dispositif de démarrage et d'arrêt en cas d'interruption de l'alimentation hydraulique.
- Utilisez seulement les lubrifiants recommandés par le fabricant.
- Le contact avec le liquide hydraulique doit être évité. Afin de minimiser la possibilité d'éruptions cutanées, des précautions doivent être prises pour laver en profondeur si un contact se produit.
- Les fiches signalétiques pour toutes les huiles hydrauliques et tous les lubrifiants sont disponibles sur demande chez votre fournisseur d'outils.
- Évitez des postures inappropriées, car il est probable que ces postures ne permettent pas de contrer les mouvements normaux ou inattendus de l'outil.
- Si l'outil est fixé à un dispositif de suspension, assurez-vous que la fixation est sécuritaire.
- Attention aux risques d'écrasement ou de pincement si l'équipement de l'embout n'est pas installé.
- NE PAS utiliser l'outil avec le boîtier de l'embout retiré.
- Un espace approprié est requis pour les mains de l'utilisateur avant de procéder.
- Lorsque vous transportez l'outil d'un endroit à l'autre, gardez vos mains loin de la gâchette afin d'éviter une activation par inadvertance.
- NE PAS abuser de l'outil en l'échappant ou en l'utilisant comme un marteau.
- Des précautions doivent être prises pour assurer que les mandrins usés ne constituent pas un danger.

1.4 RISQUES LIÉS AUX MOUVEMENTS RÉPÉTITIFS

- Lors de l'utilisation de l'outil, l'utilisateur peut ressentir un inconfort dans les mains, les bras, les épaules, le cou ou d'autres parties du corps.
- Pendant qu'il utilise l'outil, l'utilisateur doit adopter une posture confortable tout en maintenant un aplomb sécuritaire et en évitant des postures inconfortables ou déséquilibrées. L'utilisateur doit modifier sa posture durant les tâches prolongées; cela peut aider à éviter l'inconfort et la fatigue.
- Si l'utilisateur ressent des symptômes comme un inconfort persistant ou récurrent, de la douleur, des sensations de pulsations, de crampes, de picotements, d'engourdissements, de brûlures ou de raideur, ces avertissements ne doivent pas être ignorés. L'utilisateur doit le dire à l'employeur et consultez un professionnel de la santé.

1.5 RISQUES LIÉS AUX ACCESSOIRES

- Déconnectez l'outil de l'alimentation de l'air avant d'ajuster ou de retirer l'assemblage de l'embout ou l'accessoire.
- Utilisez seulement les tailles et les types d'accessoires ou de produits consommables qui sont recommandés par le fabricant de l'outil; ne pas utiliser d'autres tailles ou types d'accessoires ou des produits consommables.

1.6 RISQUES EN MILIEU DE TRAVAIL

- Les glissements, trébucher et les chutes sont des causes majeures des blessures en milieu de travail. Tenez compte des surfaces glissantes causées par l'utilisation de l'outil et les risques de trébucher causés par les conduites d'air ou le tuyau hydraulique.
- Soyez prudent dans les environnements inconnus. Il peut y avoir des dangers cachés comme l'électricité ou d'autres câbles de services publics.
- L'outil n'est pas conçu pour une utilisation en atmosphères potentiellement explosives et il n'est isolé contre le contact avec l'électricité.
- Assurez-vous qu'il n'y a aucun câble électrique, tuyau de gaz, etc. qui peut causer un danger s'il est endommagé par l'utilisation de l'outil.
- Habillez-vous convenablement. Ne pas porter de vêtements amples ou des bijoux. Gardez vos cheveux, vos vêtements et vos gants hors de portée des pièces en mouvement. Les vêtements amples, les bijoux ou les cheveux longs peuvent se coincer dans les pièces en mouvement.
- Des précautions doivent être prises pour assurer que les mandrins usés ne constituent pas un danger.

1.7 RISQUES LIÉS AU BRUIT

- L'exposition à des niveaux élevés du bruit peut causer une perte de l'ouïe invalidante permanente et d'autres problèmes comme l'acouphène (tintements, bourdonnements, sifflements ou vrombissements dans les oreilles). Ainsi, l'évaluation des risques et la mise en œuvre des contrôles appropriés pour ces risques sont essentielles.
- Les contrôles appropriés pour réduire les risques peuvent comprendre des mesures comme des matériaux insonorisant afin d'empêcher le « tintement » des pièces de travail.
- Utilisez une protection auditive conforme aux instructions de l'employeur et tel que requis par les réglementations liées à la santé et la sécurité au travail.
- Utilisez et maintenez l'outil conformément aux recommandations du guide d'utilisation afin de prévenir une augmentation non nécessaire du niveau du bruit.

1.8 RISQUES LIÉS À LA VIBRATION

- L'exposition à la vibration peut causer des dommages invalidants aux nerfs et à l'apport sanguin aux mains et aux bras.
- Portez des vêtements chauds lorsque vous travaillez dans le froid et gardez vos mains propres et sèches.
- Si vous ressentez des engourdissements, des picotements, de la douleur ou un blanchiment de la peau de doigts ou des mains, cessez d'utiliser l'outil, avisez votre employeur et consultez un médecin.
- Lorsque c'est possible, soutenez le poids de l'outil sur un support, un tensionneur ou un dispositif d'équilibre parce qu'une prise plus légère peut alors être utilisée pour soutenir l'outil.

1.9 INSTRUCTIONS DE SÉCURITÉ SUPPLÉMENTAIRES POUR LES OUTILS PNEUMATIQUES ET HYDRAULIQUES

- L'alimentation de l'air opérationnelle ne doit pas excéder 7 bars (100 PSI).
- L'air sous pression peut causer une blessure grave.
- Ne jamais laisser l'outil fonctionner sans surveillance. Déconnectez le tuyau d'air lorsque l'outil n'est pas utilisé, avant de changer les accessoires ou lors de réparations.
- NE PAS laisser l'ouverture de l'évacuation de l'air sur le collecteur du mandrin orientée en direction de l'utilisateur ou d'autres personnes. Ne jamais diriger l'air vers vous-même ou toute autre personne.
- Frapper les tuyaux peut causer une blessure grave. Vérifiez toujours s'il y a des tuyaux et des raccords endommagés ou desserrés.
- Avant l'utilisation, inspectez les conduites d'air pour voir s'il y a des dommages, toutes les connexions doivent être sécuritaires. Ne pas échapper des objets lourds sur les tuyaux. Un impact considérable peut causer des dommages internes et entraîner une défaillance prématurée des tuyaux.]
- L'air froid doit être dirigé loin des mains.
- Lorsque des raccords tournants universels (raccords à griffes) sont utilisés, les goupilles de sécurité doivent être installées et les câbles de sécurité pour tuyaux doivent être utilisés contre une possible défaillance d'une connexion tuyau à outil ou tuyau à tuyau.
- NE PAS lever l'outil de mise en place par le tuyau. Utilisez toujours la poignée de l'outil de mise en place.
- Les trous d'aération peuvent s'obstruer et être couverts.
- Gardez la saleté et les corps étrangers hors du système hydraulique de l'outil puisque cela causera un mauvais fonctionnement de l'outil.
- L'huile sous pression peut causer une blessure grave.
- Avant l'utilisation, inspectez les flexibles hydrauliques en termes de dommages. Tous les raccords hydrauliques doivent être propres, complètement insérés et étanches avant utilisation. Ne pas échapper des objets lourds sur les tuyaux. Un impact considérable peut causer des dommages internes et entraîner une défaillance prématurée des tuyaux.
- NE PAS tirer ou déplacer l'intensificateur à l'aide des tuyaux. Utilisez toujours la poignée de l'unité.
- Utiliser seulement de l'huile et de l'équipement de remplissage propres.
- Utiliser seulement les fluides hydrauliques recommandés.
- La température maximale du fluide hydraulique en entrée est de 100°C (212°F).

▲ AVERTISSEMENT : Bien qu'une petite quantité d'usure et de marques se produit naturellement par l'utilisation normale et correcte des mandrins, ils doivent être régulièrement examinés en cas d'usure et de marques excessives, en apportant une attention particulière au diamètre de la tête, la zone de saisie des mâchoires de la queue de la tige ou des piqûres abondantes sur la tige et toute déformation de mandrin. Les mandrins défectueux durant l'utilisation pourraient sortir avec force de l'outil. C'est la responsabilité du client d'assurer que les mandrins sont remplacés avant tout niveau excessif ou usure et toujours avant le nombre maximum de poses recommandé. Contactez votre représentant STANLEY Engineered Fastening qui vous dira quel est ce chiffre en mesurant la charge de broches de votre application avec un notre outil de mesure calibré.

La politique STANLEY Engineered Fastening est une politique de développement et d'amélioration en permanence et nous nous réservons le droit de modifier les caractéristiques de tout produit sans préavis.

2. CARACTÉRISTIQUES

2.1 CARACTÉRISTIQUES DE L'OUTIL DE TYPE 0753 MK II

Pression de l'air	Minimum – Maximum	5-7 bar (70-100 lbf/po ²)
Volume d'air libre requis	à 5,1 bar /75 lbf/po ²	2,6 litres (0,09 pi ³)
Course	Minimum	30,0 mm (1,18 pi)
Force de traction	à 5,5 bar /80 lbf/po ²	3.89 kN (875 lbf)
Durée du cycle :	Environ	1 seconde
Poids	Pistolet	1,2 kg (2,64 lb)

2.2 CARACTÉRISTIQUE DE L'INTENSIFICATEUR 07531

Pression de l'air	Minimum – Maximum	5-7 bar (70-100 lbf/po ²)
Coefficient d'intensification		32:1

Valeurs de bruits déterminées selon les codes de test de bruit ISO 15744 et ISO 3744.		0753
Niveau acoustique pondéré A dB(A), L _{WA}	Bruit incertain : k _{WA} = 2.3 dB(A)	85.7 dB(A)
Niveau de pression acoustique pondéré A à la station de travail dB(A), L _{PA}	Bruit incertain : k _{PA} = 2.3 dB(A)	74.8 dB(A)
Niveau de pression acoustique du pic pondéré C dB(C), L _{pC} , pic	Bruit incertain : k _{pC} = 2.5 dB(C)	97.9 dB(C)
Valeurs de vibration déterminées selon les codes de test de vibration ISO 20643 et ISO 5349.		0753
Niveau d'émissions de vibrations, a _{hd} :	Vibration incertaine : k = 0.19 m/s ²	0.73 m/s ²
Valeurs d'émissions de vibrations déclarées conformément à la norme EN 12096		

3. UTILISATION PRÉVUE

L'outil pneumatique de type 0753 MkII est conçu pour placer les fixations rapides Stanley Engineered Fastening (à l'exception de Avlug® de 1/16 po), ce qui en fait l'outil idéal pour l'assemblage en ligne par lots dans une grande variété d'applications dans tous les secteurs.

L'outil à main et l'intensificateur ont été testés séparément et combinés. Ils ne doivent être utilisés qu'ensemble et à aucune autre fin. Consultez la section « Mise en service » à la page 44 pour les détails de connexion.

Les deux modèles, le 07530 MkII et le 07532 MkII sont des outils manuels légers. Leur seule différence réside dans l'emplacement de l'entrée du tuyau.

L'entrée supérieure de l'outil 07532 MkII permet de le suspendre à une plaque de montage supplémentaire, voir le schéma ci-contre. Les numéros de pièces sont indiqués pour commander un outil complet comprenant l'intensificateur et tous les tuyaux, mais pas l'embout.

Le numéro de pistolet pour le modèle 07530 MkII est 07530-02200 et est 07532-02200 pour le modèle 07532 MkII. Voir les assemblages généraux aux pages 54-58.

Les deux modèles posent les mêmes fixations et tous deux posent la plupart des fixations à répétition, comme indiqué dans le tableau ci-dessous.

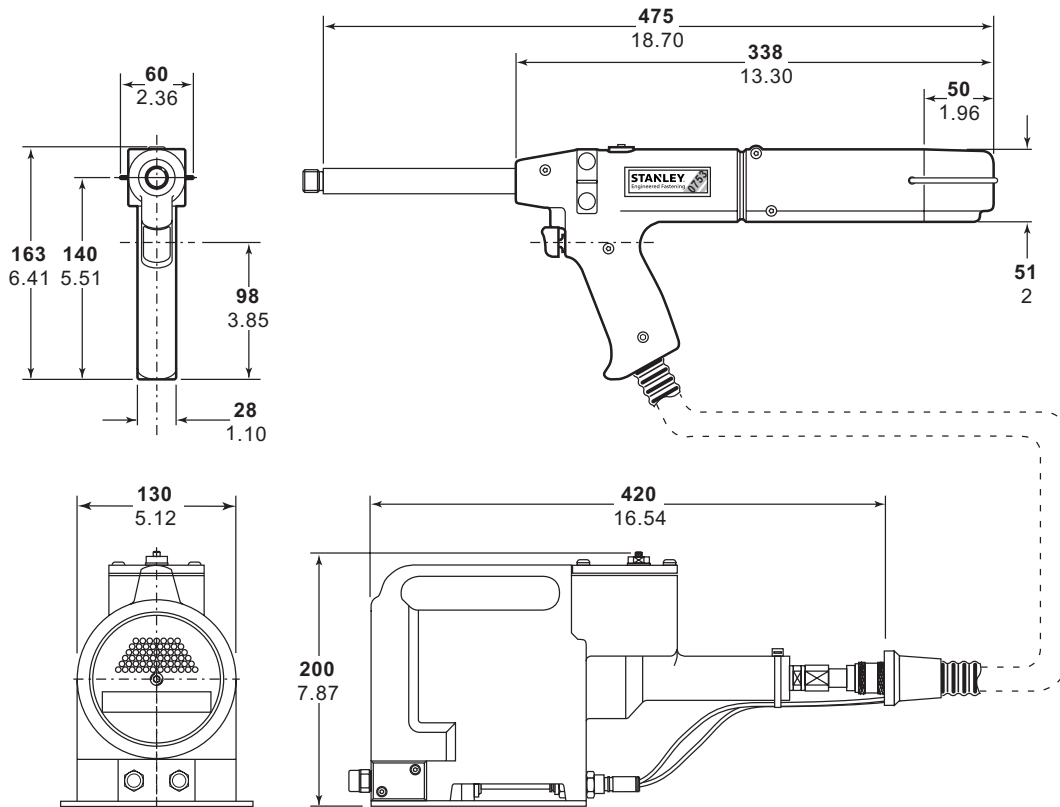
Les deux modèles utilisent le même équipement d'embout. Il est nécessaire de se référer au manuel des accessoires (07900-09508) lors de la sélection des composants compatibles avec le type et la taille de la fixation utilisée dans votre application.

NE PAS utiliser en conditions mouillées ou en présence de liquides ou de gaz inflammables.

NOM DE FIXATION	TAILLE DES FIXATIONS											
	3/32 po	1/8 po	5/32 po	3/16 po	1/4 po	2,5 mm 2,8 mm	3 mm	3,5 mm	4 mm	6 mm	M2.5 4-40 UNC	M3 6-32 UNC
CHOBERT®	●	●	●	●	●							
GROVIT®	●	●	●	●								
AVLUG®	●	●										
BRIV®	●	●	●	●						●		
RIVSCREW®						●	●	●	●			
AVTRONIC®						●						
AVSERT®											●	●
NEOSPEED(R)		●	●	●								

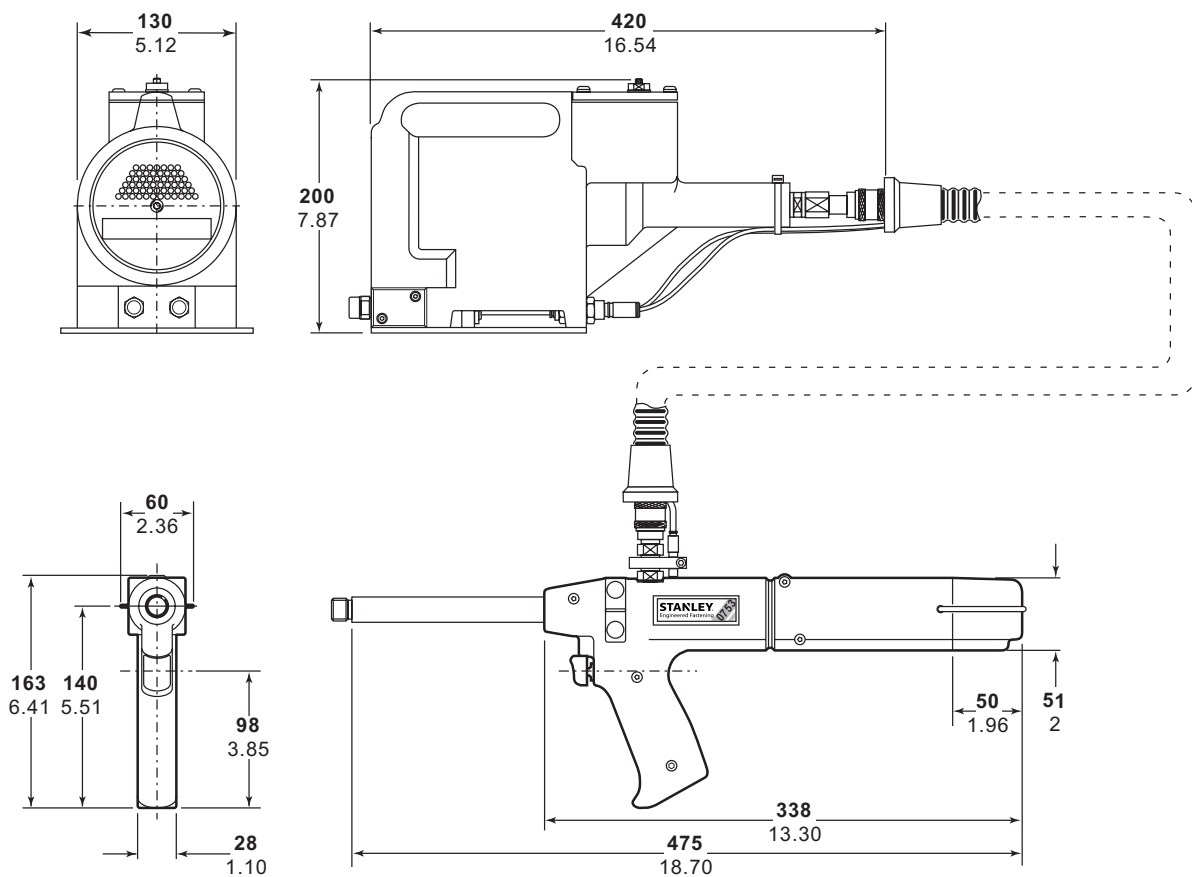
3.1 DIMENSIONS DE L'OUTIL – MODÈLE 07530 MKII

Numéro de pièce 07530-02100



3.2 DIMENSIONS DE L'OUTIL – MODÈLE 07532 MKII

Numéro de pièce 07532-02100



Les dimensions indiquées **en gras** sont exprimées en millimètres. Les autres dimensions sont exprimées en pouces.

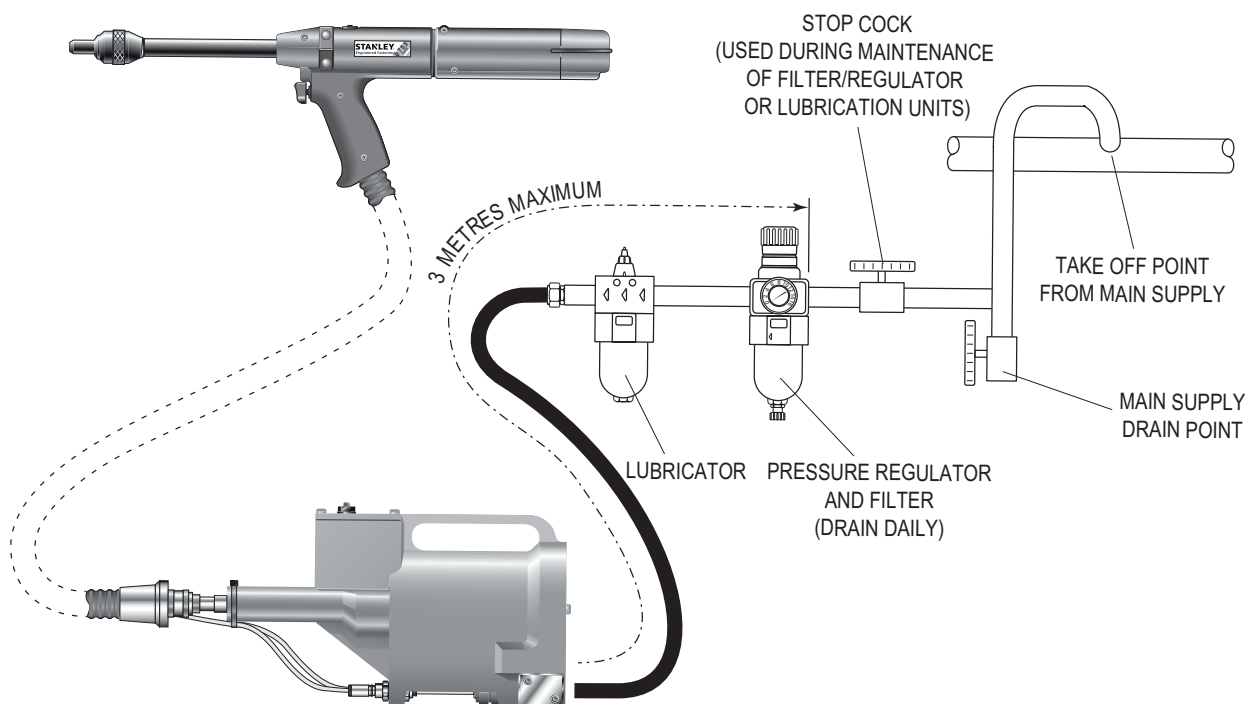
4. MISE EN SERVICE

4.1 ALIMENTATION EN AIR

Tous les outils sont utilisés avec de l'air comprimé à une pression optimale de 5,5 bars. Nous recommandons l'utilisation de régulateurs de pression et de systèmes automatiques d'huilage/filtrage sur l'alimentation principale en air. Pour garantir une durée de vie maximale et un entretien minimal de l'outil, ils doivent être installés à moins de 3 mètres de l'outil (voir le schéma ci-dessous).

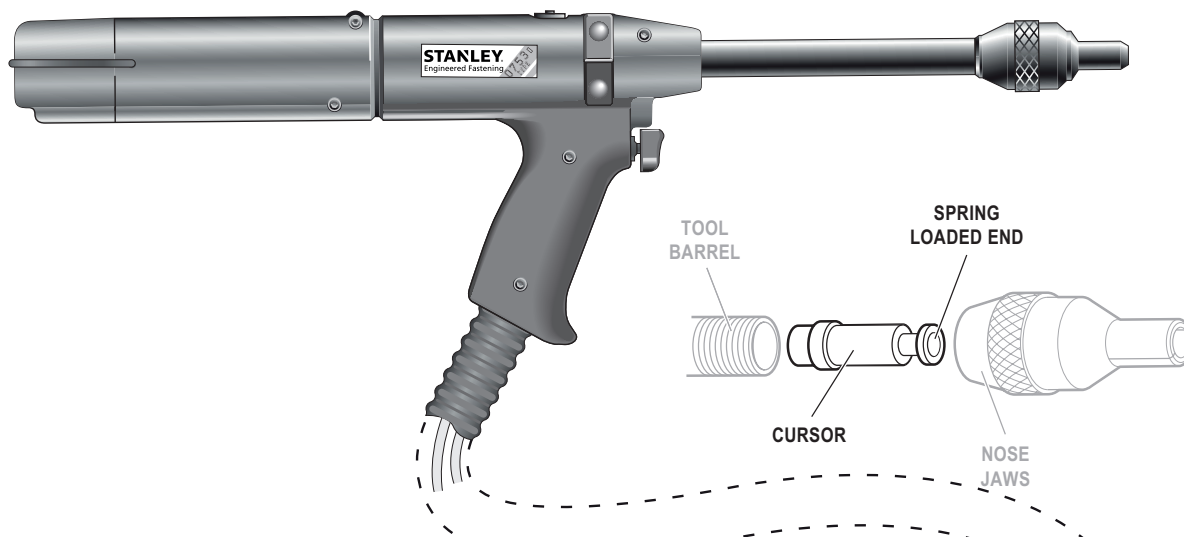
Les tuyaux d'alimentation de l'air doivent avoir une pression nominale efficace de fonctionnement minimum de 150 % d'une pression maximale produite dans le système ou de 10 bars, selon la valeur la plus élevée. Les tuyaux d'air doivent être résistant à l'huile, avoir un extérieur résistant à l'abrasion et être armés où les conditions d'utilisation peuvent faire en sorte que les tuyaux soient endommagés. • Tous les tuyaux d'alimentation en air DOIVENT avoir un diamètre d'alésage minimum de 6,4 millimètres ou 1/4 pouces.

Voir les détails de l'entretien quotidien à la page 48.



Suivez les étapes ci-dessous pour connecter l'outil à l'intensificateur et à l'alimentation principale en air :

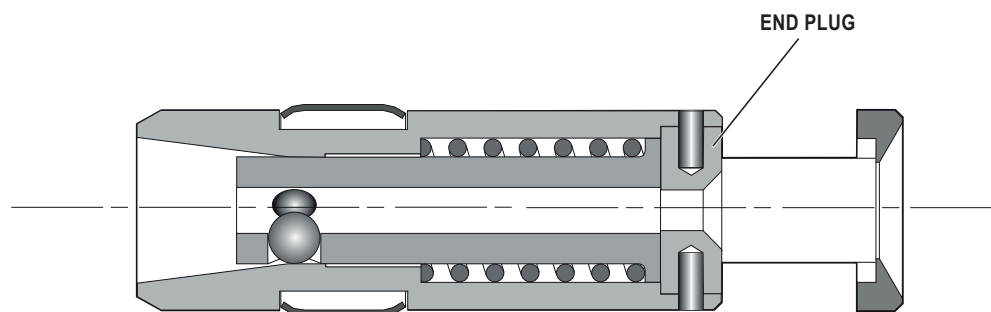
- Poussez l'extrémité du grand tuyau hydraulique de l'outil dans le connecteur à libération rapide situé à l'extrémité de l'intensificateur.
- Sur la face avant de l'intensificateur :
 - Poussez la conduite pneumatique bleue (4 mm de diamètre extérieur) dans le raccord réducteur situé dans le connecteur de cloison gauche.
 - Poussez la conduite pneumatique noire (4 mm de diamètre extérieur) dans la bague de serrage en plastique du raccord de cloison de droite.
- Installez un tuyau pneumatique entre le connecteur mâle à l'arrière de l'intensificateur et l'alimentation en air principale.



Pour référence, il existe trois types de curseurs mécaniques différents :

- 07271-01100 Utilisé pour les mandrins standards et les mandrins jetables 5/32 po
- 07279-05843 Utilisé pour les mandrins jetables 1/8 po
- 07279-05845 Utilisé pour les mandrins jetables 3/16 po

La différence dans les assemblages ci-dessus est le diamètre interne du bouchon d'extrémité.



Ceux-ci sont codés par couleur, voir ci-dessous :

NO. DE PIÈCE CURSEUR MÉCANIQUE	NO. DE PIÈCE BOUCHON D'EXTRÉMITÉ	COULEUR	DIAMÈTRE DU TROU (mm)
07271-01100	07150-00402	ACIER NOIR	2,7
07279-05843	07159-05844	OR	2,2
07279-05845	07159-05846	ARGENT	3,3

4.2 CURSEUR

IMPORTANT

S'il n'est pas bien fixé, le curseur ne permettra pas l'alimentation des fixations.

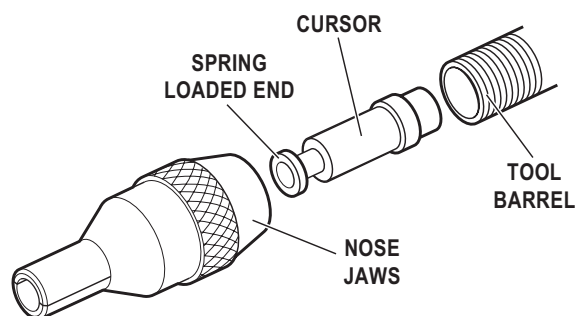
Même si le curseur sera fixé de la bonne façon lorsque l'outil est fourni, nous vous recommandons de vérifier son orientation avant de fixer l'équipement de l'embout. L'extrémité à ressort, légèrement concave du curseur doit pointer vers l'avant de l'outil comme affiché dans l'illustration.

S'il est fixé de la bonne façon, le curseur glissera facilement hors du canon lorsque le mandrin est poussé au centre, puis reculé.

Pour inverser l'orientation du curseur, suivez ces étapes :

Les numéros de pièces **en gras** font référence au plan d'assemblage général et à la liste des pièces pour le type 07530-02200 MkII aux pages 54-56. Pour le type 07532-02200 MkII, la procédure est la même mais les numéros de pièces doivent être extraits de l'assemblage général et de la liste des pièces aux pages 57-58.

- Retirez l'attache **47** et faites glisser le capuchon d'extrémité **38**.
- À l'aide d'une clé hexagonale, retirez une vis à tête cylindrique **44** en veillant à évacuer tout l'air enfermé.
- Retirez le bouchon arrière **46**.
- Retirez le piston de la mâchoire de queue **14** ainsi que les mâchoires **9**.
- Sortez le ressort **13** et le boîtier de la mâchoire **8**.
- Insérez un mandrin dans le trou de l'extrémité arrière du canon **25** jusqu'à ce qu'il sorte par l'avant du canon, puis retirez le mandrin et le curseur ensemble par l'avant.
- Réassemblez les composants dans l'ordre inverse.
- Insérez l'ensemble curseur mécanique **5** dans l'avant du canon, dans le bon sens.



4.3 CHARGEMENT ET RECHARGEMENT DE L'OUTIL

IMPORTANT

La procédure de chargement de l'outil et de fixation de l'équipement de l'embout sur l'outil est intégrale.

Si vous commandez un outil ou un système complet, vous recevrez normalement tout l'équipement d'embout requis pour la fixation à placer.

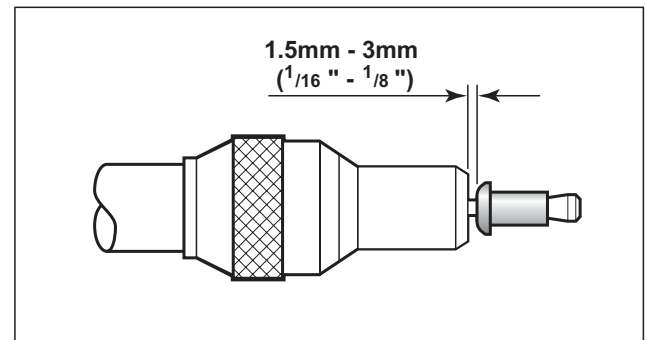
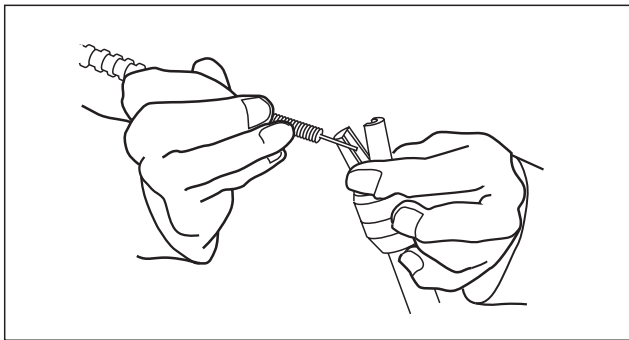
Pour identifier les composants de l'équipement d'embout ou pour sélectionner les éléments corrects, consultez la section sur l'équipement d'embout, dans le manuel des accessoires (07900-09508).

Si vous avez reçu un mâchoire d'embout, des mandrins et des ressorts suiveurs de mandrin, chargez l'outil et installez l'embout comme indiqué au verso.

Les numéros de pièces **en gras** font référence au plan d'assemblage général et à la liste des pièces pour le type 07530-02200 MkII aux pages 54-56. Pour le type 07532-02200 MkII, la procédure est la même mais les numéros de pièces doivent être extraits de l'assemblage général et de la liste des pièces aux pages 57-58.

Chargement de l'outil

- Branchez l'alimentation en air à l'outil.
- Ouvrez les mâchoires de queue **9** qui saisissent le mandrin, en désactivant l'interrupteur des mâchoires de queue (éléments **26** et **30**).
- Vissez les mâchoires de l'embout sélectionné dans le canon **25** de l'outil.
- Insérez un mandrin dans l'extrémité de la queue des fixations à travers la capsule de papier.
- Faites glisser le ressort suiveur de mandrin sur le mandrin en veillant à l'orienter correctement, comme indiqué dans le manuel des accessoires (numéro de pièce 07900-09508).
- Saisissez l'extrémité de la queue du mandrin, déchirez la capsule de café autour des fixations.
- Ouvrez les mâchoires de l'embout soit en tournant l'anneau extérieur sur les mâchoires à came ou en poussant les extrémités des mâchoires vers l'extérieur, comme illustré ci-dessous à gauche.
- Insérez le mandrin, le ressort suiveur de mandrin et les fixations précédemment assemblés dans les mâchoires d'embout jusqu'à ce que la première fixation à placer dépasse de la mâchoire d'embout.
- Fermez les mâchoires d'embout et ajustez-les de manière à ce que la première fixation dépasse de 1,5 mm-3 mm ($1/16$ po à $1/8$ po), comme le montre l'illustration ci-dessous à droite.
- Fermez les mâchoires de queue pour assurer la prise du mandrin, en activant l'interrupteur des mâchoires de queue (éléments **26** et **30**).



Rechargement de l'outil

- Ouvrez les mâchoires de queue **9** de l'outil.
- Ouvrez les mâchoires d'embout et sortez le mandrin vide et le ressort suiveur de mandrin de l'outil.
- Rechargez l'outil en suivant les instructions ci-dessus, en commençant par l'étape .

4.4 MODE DE FONCTIONNEMENT

IMPORTANT

Vous devez vérifier que l'orientation du curseur et l'équipement de l'embout sont corrects avant de tenter d'utiliser l'outil.

- Poussez la fixation, qui dépasse des mâchoires de l'embout, à fond dans les trous de l'application en veillant à ce que l'outil soit maintenu à l'équerre.
- Actionnez la gâchette sans la relâcher – la tête du mandrin est tirée à travers la fixation, formant la fixation dans l'application.
- Retirez l'outil.
- Relâchez la gâchette. La fixation suivante sera automatiquement présentée par les mâchoires d'embout, prête à être placée.

4.5 MISE EN PLACE DE L'ÉQUIPEMENT

Tous les équipements d'embout, mandrins, ressorts suiveurs et autres accessoires se trouvent dans le manuel des accessoires (numéro de pièce 07900-09508).

Les numéros de pièces **en gras** font référence au plan d'assemblage général et à la liste des pièces pour le type 07530-02200 MkII aux pages 54-56. Pour le type 07532-02200 MkII, la procédure est la même mais les numéros de pièces doivent être extraits de l'assemblage général et de la liste des pièces aux pages 57-58.

5. ENTRETIEN DE L'OUTIL

Un entretien régulier doit être effectué et une inspection complète doit être effectuée annuellement ou chaque 500 000 cycles, selon ce qui est plus tôt.

IMPORTANT

L'employeur est responsable d'assurer que les instructions d'entretien sont données au personnel approprié. L'utilisateur doit ne pas s'impliquer dans l'entretien ou les réparations de l'outil à moins d'avoir été formé de façon appropriée.

5.1 QUOTIDIENNEMENT

- Quotidiennement, avant l'utilisation ou lors de la première mise en service de l'outil. Versez quelques gouttes d'huile lubrifiante propre dans l'entrée d'air du multiplicateur si l'alimentation en air ne comporte pas de lubrificateur. Si l'outil est utilisé en permanence, le tuyau d'air doit être débranché de l'alimentation principale en air et l'outil doit être lubrifié toutes les deux ou trois heures.
- Vérifiez l'absence de fuites d'air et d'huile. S'ils sont endommagés, les tuyaux et les raccords doivent être remplacés.
- S'il n'y a aucun filtre sur le régulateur de pression, purgez la conduite d'air pour la nettoyer de la saleté ou de l'eau accumulée avant de connecter le tuyau d'air à l'insificateur. S'il y a un filtre, égouttez-le.
- Vérifiez que l'équipement d'embout est correct.
- Vérifiez régulièrement que les mandrins ne présentent pas de signes d'usure ou de détérioration; contrôlez le nombre de placements (consultez les consignes de sécurité à la page 38-40).

5.2 HEBDOMADAIRE

- Effectuez toutes les procédures « quotidienne » comme décrit ci-dessus.
- Retirez, inspectez, nettoyez et graissez les mâchoires de queue (reportez-vous à la section « Cylindre des mâchoires de queue » dans la section « Entretien » page 50).
- Vérifiez le niveau d'huile dans le réservoir de l'intensificateur. Le réservoir de l'unité se trouve à environ 12 mm (1/2 po) sous la plaque de capot transparente.



ATTENTION : Ne jamais utiliser de solvant ou d'autres produits chimiques forts pour le nettoyage des pièces non métalliques de l'outil. Ces produits chimiques peuvent affaiblir les matériaux utilisés dans ces pièces

5.3 FICHE SIGNALÉTIQUE DE LA GRAISSE MOLY LITHIUM EP 3753

La graisse peut être commandée comme article séparé, la référence est indiquée sur la page du nécessaire d'entretien 49.

Premiers soins

PEAU :

Étant donné que la graisse est complètement résistante à l'eau, il vaut mieux l'enlever avec nettoyeur émulsifiant pour la peau approuvé.

INGESTION :

Assurez-vous que la personne boive 30 ml de lait de magnésie, de préférence dans une tasse de lait.

YEUX :

Irritant, mais pas dangereux. Irriguez avec de l'eau et consultez un médecin.

Feu

POINT D'ÉCLAIR : Au-dessus de 220 °C.

Non classé comme inflammable.

Moyens d'extinction appropriés : CO₂, halon ou jet d'eau si appliqué par un utilisateur expérimenté.

Environnement

Rassemblez pour l'incinération ou l'élimination dans un site approuvé.

Manutention

Utilisez une crème barrière ou des gants résistant à l'huile

Entreposage

À l'écart de la chaleur et des oxydants.

5.4 NÉCESSAIRE D'ENTRETIEN

Pour tous les travaux d'entretien, nous recommandons l'utilisation du nécessaire d'entretien (numéro de pièce 07900--05300).

NÉCESSAIRE D'ENTRETIEN :					
N° DE PIÈCE DE L'ARTICLE	DESCRIPTION	N° OFF	N° DE PIÈCE DE L'ARTICLE	DESCRIPTION	N° OFF
07900-00157	PINCES À ANNEAU DE RETENUE	1	07900-00352	CROCHET DE RETRAIT DU JOINT	1
07900-00006	SPATULE	1	07900-00710	CLÉ DE RETRAIT DU BOUCHON DU CANON	1
07900-00446	EXTRACTEUR	1	07900-00725	BALLE	1
07900-00603	MÂCHOIRES DE L'ÉTAU DU CANON	1	07900-00243	TOURNEVIS	1
07900-00520	3/8 po ROD	1	07900-00717	CLÉ D'INTENSIFICATEUR	1
07900-00521	1/4 po ROD	1	07900-00013	CLÉ HEXAGONALE DE 1/8 po	1
07900-00602	BALLE D'ASSEMBLAGE DU JOINT TORIQUE	1	07900-00617	BLOC MULTI-JOINTS LOCTITE 574 50 ml	1
07900-00595	CLÉ de 18 mm	1	07900-00469	CLÉ HEXAGONALE de 2,5 mm	1
07900-00434	CLÉ de 32 mm	1	07900-00351	CLÉ HEXAGONALE de 3 mm	1
07900-00237	3/8 po × 5/16 po B-S-W· CLÉ	1	07900-00224	CLÉ HEXAGONALE de 4 mm	1
07900-00012	CLÉ de 9/16 po × 5/8 po	1	07900-00225	CLÉ HEXAGONALE de 5 mm	1
07900-00008	CLÉ de 7/16 po × 1/2 po	1	07992-00020	GRAISSE AU LITHIUM TIN MOLY EP 3753 80 g	1

Remarque : Les tailles des clés sont mesurées « à plat », sauf indication contraire.

6. ENTRETIEN

- L'outil doit être complètement démonté tous les 500 000 cycles et des composants neufs doivent être utilisés s'ils sont usés, endommagés ou lorsque cela est recommandé. Tous les joints toriques et les joints d'étanchéité doivent être renouvelés et lubrifiés avec la graisse Moly Lithium EP 3753 avant d'être assemblés.

IMPORTANT

Les consignes de sécurité figurent à la page 38 - 40.

L'employeur est responsable d'assurer que les instructions d'entretien sont données au personnel approprié. L'utilisateur doit ne pas s'impliquer dans l'entretien ou les réparations de l'outil à moins d'avoir été formé de façon appropriée.

La conduite d'air doit être débranchée avant toute tentative d'entretien ou de démontage, sauf instructions contraires spécifiques.

Il est recommandé que toute opération de démontage soit effectuée dans des conditions propres.

Les démontages des modèles 07530 MkII et 07532 MkII sont couverts séparément. Pour le 07530 MkII, consultez les procédures de démontage ci-dessous et pour le 07532 MkII, consultez les pages 50-52. Les numéros de pièces en gras renvoient aux assemblages généraux et aux listes de pièces pour le modèle respectif aux pages 54-58.

Avant de démonter l'outil, vous devrez retirer l'équipement d'embout.

Pour un entretien complet de l'outil, nous vous conseillons de procéder au démontage des sous-ensembles dans l'ordre indiqué ci-dessous après avoir débranché le tuyau hydraulique de l'unité d'intensification et la conduite d'air de déclenchement de la vanne d'intensification, séparant ainsi l'unité de pistolet de l'unité d'intensification.

Les substances potentiellement dangereuses qui peuvent s'être déposées sur la machine à la suite de processus de travail doivent être éliminées avant l'entretien.

6.1 DÉMONTAGE DE 07530-02200 MKII

Pour démonter le 07532-02200 MkII, voir les pages 52-54.

CYLINDRE DE MÂCHOIRES DE QUEUE

- Basculez manuellement l'attache **47** vers le haut et retirez le capuchon d'extrémité **38**.
- À l'aide d'une clé hexagonale*, retirez une vis à tête cylindrique **44** en vous assurant que l'air emprisonné dans le cylindre des mâchoires de queue est évacué. Retirez la deuxième vis à tête cylindrique **44**.
- Retirez le bouchon arrière **46**.
- Retirez les composants de la mâchoire de queue à air, comprenant le piston de la mâchoire de queue **14**, le ressort **13**, les mâchoires **9** et le boîtier de la mâchoire **8**.
- Retirez le bouchon à l'arrière du piston à l'aide d'une clé hexagonale* et d'une barre à travers la grande fente de la tourelle.
- Nettoyez la tourelle à l'aide d'un foret de 4,7 mm ($\frac{3}{16}$ po) et remettez le bouchon en place en utilisant un composé d'étanchéité non durcissant, par exemple Loctite Multi-gasket 574*.
- Retirez le joint torique du piston **10**.
- À l'aide d'une clé hexagonale*, retirez les cinq vis **34** et **39** et les écrous **33** de la poignée de l'outil.
- Saisissez le canon **25** dans un étau en utilisant des mâchoires souples* pour éviter de l'endommager.
- À l'aide d'une clé plate*, dévissez le bouchon du canon **7**, en empêchant le canon **25** de tourner à l'aide d'une clé à fourche*.
- Débranchez le tube en accordéon de la mâchoire de queue **12** du bloc de commutation **28** et retirez le cylindre des mâchoires de queue **6** de l'outil.
- Retirez le joint torique **4**, la bande de frottement **15** et le ressort de retour du canon **16**.
- La longueur libre du ressort **13** doit être de 38,1 mm (1,5 po). Remplacez-les si nécessaire.
- Appliquez de la graisse Moly Lithium sur les mâchoires de queue avant de les assembler.

* Fait référence aux éléments inclus dans le nécessaire d'entretien du 0753 MkII. Pour la liste complète, voir page 49. Tous les numéros **en gras** font référence à l'assemblage général et à la liste des pièces dans les pages 57-58.

- Montez dans l'ordre inverse du démontage.

PISTON HYDRAULIQUE

- Retirez le cylindre **6** de la mâchoire de queue comme décrit précédemment.
- Saisissez le corps **19** dans un étau en utilisant des mâchoires souples pour ne pas l'endommager, défaites le limiteur de course **17**.
- Saisissez le canon **25** dans un étau à mâchoires souples, retirez le corps **19** du canon **25** (une petite quantité d'huile hydraulique sera éjectée de l'intérieur du corps).
- Retirez le piston **18** avec précaution afin de ne pas endommager l'alésage du corps.
- Retirez le joint **3**.
- Le joint **1** est difficile à retirer sans l'endommager, mais il peut rester en place pendant le nettoyage (à condition qu'il ne soit pas affecté par le processus de nettoyage). Si toutefois le joint **1** doit être remplacé, procéder comme suit :
- À l'aide d'une spatule*, retirez le joint **1** du corps **19**, en prenant soin de ne pas endommager la cavité et les alésages du corps. Le joint **1** retiré DOIT être mis au rebut.
- Pour remplacer le joint **1**, dévissez le tuyau hydraulique **22** et installez un bouchon de purge de rechange **2** en le vissant pour que la face intérieure soit au même niveau que l'alésage interne.
- Dévissez le bouchon de purge existant jusqu'à ce que la face intérieure soit au niveau de l'alésage interne. Cela permet d'obtenir un passage lisse pour l'insertion du nouveau joint **1** à travers l'arrière du corps.
- Assurez-vous que le joint est bien graissé et dans le bon sens, l'extrémité ouverte du joint faisant face aux mâchoires de queue arrière.
- Terminez le montage dans l'ordre inverse du démontage.

ASSEMBLAGE DE LA GÂCHETTE

- Pour démonter/entretenir l'ensemble, retirez les capots de l'outil comme décrit précédemment.
- Débranchez tous les tuyaux d'air de l'ensemble, en prenant soin de ne pas les endommager. Retirez l'ensemble.
- A l'aide d'une clé*, dévissez le dispositif de retenue **49** et retirez-le. Veillez à conserver le ressort **50**.
- Retirez le joint torique **53** en veillant à ne pas endommager la tige **54** et les sièges du dispositif de retenue **49**.
- Nettoyez et réassemblez en utilisant un nouveau joint torique **53**.
- Vérifiez la longueur du ressort **50** qui doit être de 12,7 mm (0,5 po) de longueur libre – remplacez-le si nécessaire.
- Montez dans l'ordre inverse du démontage.

VANNE MARCHE/ARRÊT POUR MÂCHOIRES DE QUEUE

- L'unité est conçue de manière à ce qu'un minimum d'entretien soit nécessaire pendant la durée de vie de l'outil.
- S'il est nécessaire de démonter la vanne, procédez comme suit :
- Débranchez les tuyaux d'air de l'ensemble, en prenant soin de ne pas les endommager. Retirez l'ensemble.
- À l'aide d'une clé hexagonale*, desserrez la vis **27** qui fixe l'ensemble au canon **25** et retirez l'ensemble.
- À l'aide d'un tournevis*, retirez avec précaution la rondelle chromée **26** de la bobine **29** de la mâchoire de queue d'air et jetez la rondelle.
- Retirez la bobine de la mâchoire de queue d'air **29** du bloc d'interrupteur **28**.
- En prenant soin de ne pas endommager la bobine de la mâchoire de queue d'air **29**, retirez les joints toriques **31**.
- Nettoyez la bobine et remontez les nouveaux joints toriques **31** à l'aide de la balle de montage* et insérez-les dans le bloc de l'interrupteur **28**, en respectant leur orientation.
- Montez la nouvelle rondelle chromée **26** en la serrant dans un étau à mâchoires souples pour éviter de l'endommager. N'UTILISEZ PAS DE FORCE EXCESSIVE.
- Terminez le montage dans l'ordre inverse du démontage.

* Fait référence aux éléments inclus dans le nécessaire d'entretien du 0753 MkII. Pour la liste complète, voir page 49. Tous les numéros **en gras** font référence à l'assemblage général et à la liste des pièces dans les pages 57-58.

VANNE ANTI-RETOUR DE PRESSION POUR MÂCHOIRES DE QUEUE

- La vanne anti-retour **21** est située dans la poignée de l'outil.
- Pour retirer/remplacer la vanne anti-retour **21**, appuyez sur les raccords de tête et retirez le tube en plastique bleu **23** des deux extrémités.
- Lors du remplacement de la vanne anti-retour **21**, respectez son orientation.

POIGNÉE ET CAPUCHON D'EXTRÉMITÉ

- Nettoyez et inspectez les moulures pour détecter les fissures ou autres dommages.

CURSEUR

- Nettoyez et huilez de temps en temps l'ensemble du curseur mécanique **5** avec un peu d'huile légère.

IMPORTANT

**Vérifiez l'outil par rapport à l'entretien quotidien et hebdomadaire.
L'amorçage est TOUJOURS nécessaire après le démontage de l'outil et avant son utilisation.**

6.2 DÉMONTAGE DE 07532-0200 MKII

Pour démonter le 07530-02200 MkII, voir les pages 50-52.

CYLINDRE DE MÂCHOIRES DE QUEUE

- Basculez manuellement l'attache **54** vers le haut et retirez le capuchon d'extrémité **45**.
- À l'aide d'une clé hexagonale*, retirez une vis à tête cylindrique **51** en vous assurant que l'air emprisonné dans le cylindre des mâchoires de queue est évacué. Retirez la deuxième vis à tête cylindrique **51**.
- Poussez le bouchon arrière **53** vers l'avant contre le ressort **20** et le relâchez rapidement pour permettre au bouchon arrière **53** de tomber.
- Retirez les composants de la mâchoire de queue à air, comprenant le piston de la mâchoire de queue **21**, le ressort **20**, les mâchoires **16** et le boîtier de la mâchoire **15**.
- Retirez le bouchon à l'arrière du piston à l'aide d'une clé hexagonale* et d'une barre à travers la grande fente de la tourelle.
- Nettoyez la tourelle à l'aide d'un foret de 4,7 mm ($\frac{3}{16}$ po) et remettez le bouchon en place en utilisant un composé d'étanchéité non durcissant, par exemple Loctite Multi-gasket 574*.
- Retirez le joint torique du piston **17**.
- À l'aide d'une clé hexagonale*, retirez les cinq vis **41** et **46** et les écrous **40** de la poignée de l'outil.
- Saisissez le canon **31** dans un étau en utilisant des mâchoires souples* pour éviter de l'endommager.
- À l'aide d'une clé plate*, dévissez le bouchon du canon **14**, en empêchant le canon **31** de tourner à l'aide d'une clé à fourche*.
- Débranchez le tube en accordéon de la mâchoire de queue **19** du bloc de commutation **35** et retirez le cylindre des mâchoires de queue **12** de l'outil.
- Retirez le joint torique **10**, la bande de frottement **22** et le ressort de retour du canon **13**.
- La longueur libre du ressort **20** doit être de 38,1 mm (1,5 po). Remplacez-les si nécessaire.
- Appliquez de la graisse Moly Lithium sur les mâchoires de queue avant de les assembler.
- Montez dans l'ordre inverse du démontage.

PISTON HYDRAULIQUE

- Retirez le cylindre **12** de la mâchoire de queue comme décrit précédemment.
- Saisissez le corps **25** dans un étau en utilisant des mâchoires souples pour ne pas l'endommager, défaites le limiteur de course **23**.

* Fait référence aux éléments inclus dans le nécessaire d'entretien du 0753 MkII. Pour la liste complète, voir page 49.
Tous les numéros **en gras** font référence à l'assemblage général et à la liste des pièces dans les pages 57-58.

- Saisissez le canon **31** dans un étau à mâchoires souples, retirez le corps **25** du canon **31** (une petite quantité d'huile hydraulique sera éjectée de l'intérieur du corps).
- Retirez le piston **24** avec précaution afin de ne pas endommager l'alésage du corps.
- Retirez le joint **9**.
- Le joint **1** est difficile à retirer sans l'endommager, mais il peut rester en place pendant le nettoyage (à condition qu'il ne soit pas affecté par le processus de nettoyage). Si toutefois le joint **1** doit être remplacé, procéder comme suit :
- À l'aide d'une spatule*, retirez le joint **1** du corps **25**, en prenant soin de ne pas endommager la cavité et les alésages du corps. Le joint **1** retiré DOIT être mis au rebut.
- Pour remplacer le joint **1**, débranchez le tuyau hydraulique **63** et tous les tuyaux d'air associés. Dévissez le coupleur à fermeture automatique **6**, retirez la plaque de montage de la suspension **4**, dévissez le tuyau supérieur de l'adaptateur **2** et installez un ensemble de bouchon de purge de rechange **30** en le vissant pour amener la face intérieure au niveau de l'alésage interne.
- Dévissez le bouchon de purge existant jusqu'à ce que la face intérieure soit au niveau de l'alésage interne. Cela permet d'obtenir un passage lisse pour l'insertion du nouveau joint **1** à travers l'arrière du corps.
- Assurez-vous que le joint est bien graissé et dans le bon sens, l'extrémité ouverte du joint faisant face aux mâchoires de queue arrière.
- Terminez le montage dans l'ordre inverse du démontage.

ASSEMBLAGE DE LA GÂCHETTE

- Pour démonter/entretenir l'ensemble, retirez les capots de l'outil comme décrit précédemment.
- Débranchez tous les tuyaux d'air de l'ensemble, en prenant soin de ne pas les endommager. Retirez l'ensemble.
- À l'aide d'une clé*, dévissez le dispositif de retenue **56** et retirez-le. Veillez à conserver le ressort **57**.
- Retirez le joint torique **60** en veillant à ne pas endommager la tige **61** et les sièges du dispositif de retenue **56**.
- Nettoyez et réassemblez en utilisant un nouveau joint torique **60**.
- Vérifiez la longueur du ressort **57** qui doit être de 12,7 mm (0,5 po) de longueur libre – remplacez-le si nécessaire.
- Montez dans l'ordre inverse du démontage.

VANNE MARCHE/ARRÊT POUR MÂCHOIRES DE QUEUE

- L'unité est conçue de manière à ce qu'un minimum d'entretien soit nécessaire pendant la durée de vie de l'outil.
- S'il est nécessaire de démonter la vanne, procédez comme suit :
- Débranchez les tuyaux d'air de l'ensemble, en prenant soin de ne pas les endommager. Retirez l'ensemble.
- À l'aide d'une clé hexagonale*, desserrez la vis **34** qui fixe l'ensemble au canon **31** et retirez l'ensemble.
- À l'aide d'un tournevis*, retirez avec précaution la rondelle chromée **33** de la bobine **36** de la mâchoire de queue d'air et jetez la rondelle.
- Retirez la bobine de la mâchoire de queue d'air **36** du bloc d'interrupteur **35**.
- En prenant soin de ne pas endommager la bobine de la mâchoire de queue d'air **36**, retirez les joints toriques **38**.
- Nettoyez la bobine et remontez les nouveaux joints toriques **38** à l'aide de la balle de montage* et insérez-les dans le bloc de l'interrupteur **35**, en respectant leur orientation.
- Montez la nouvelle rondelle chromée **33** en la serrant dans un étau à mâchoires souples pour éviter de l'endommager.
N'UTILISEZ PAS DE FORCE

EXCESSIVE.

- Terminez le montage dans l'ordre inverse du démontage.

VANNE ANTI-RETOUR DE PRESSION POUR MÂCHOIRES DE QUEUE

- La vanne anti-retour **26** est située dans la poignée de l'outil.

* Fait référence aux éléments inclus dans le nécessaire d'entretien du 0753 MkII. Pour la liste complète, voir page 49.
Tous les numéros **en gras** font référence à l'assemblage général et à la liste des pièces dans les pages 57-58.

- Pour retirer/remplacer la vanne anti-retour **26**, appuyez sur les raccords de tête et retirez le tube en plastique bleu **27** des deux extrémités.
- Lors du remplacement de la vanne anti-retour **26**, respectez son orientation.

POIGNÉE ET CAPUCHON D'EXTRÉMITÉ

- Nettoyez et inspectez les moulures pour détecter les fissures ou autres dommages.

CURSEUR

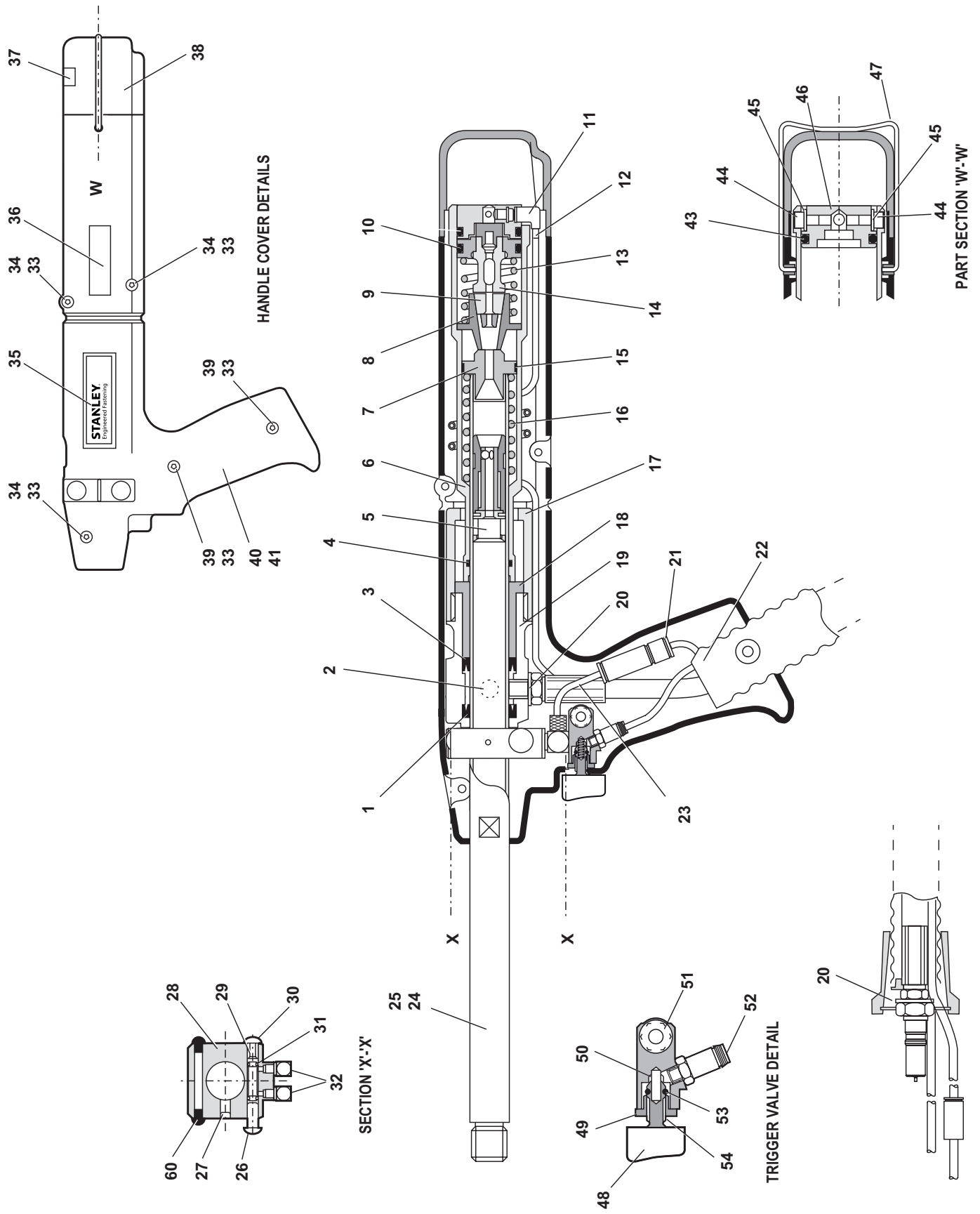
- Nettoyez et huilez de temps en temps l'ensemble du curseur mécanique **11** avec un peu d'huile légère.

IMPORTANT

**Vérifiez l'outil par rapport à l'entretien quotidien et hebdomadaire.
L'amorçage est TOUJOURS nécessaire après le démontage de l'outil et avant son utilisation.**

* Fait référence aux éléments inclus dans le nécessaire d'entretien du 0753 MkII. Pour la liste complète, voir page 49.
Tous les numéros **en gras** font référence à l'assemblage général et à la liste des pièces dans les pages 57-58.

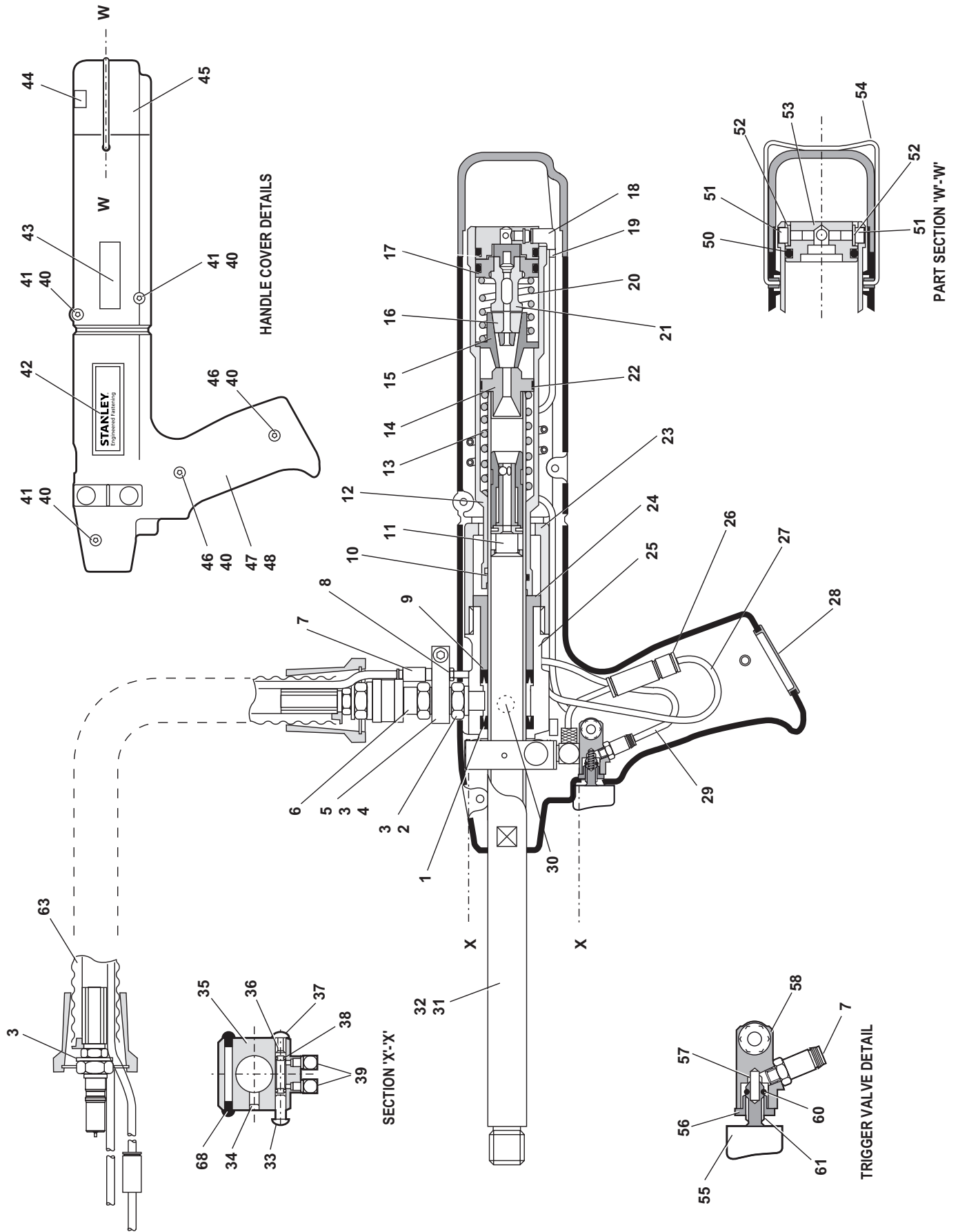
6.3 ASSEMBLAGE GÉNÉRAL DE L'OUTIL DE BASE 07530--02200 MKII



6.4 LISTE DE PIÈCES POUR L'OUTIL DE BASE 07530--02200 MKII

ARTICLE	N° DE LA PIÈCE	DESCRIPTION	PIÈCES DE RECHANGE	QTE	ARTICLE	N° DE LA PIÈCE	DESCRIPTION	PIÈCES DE RECHANGE	QTE	PIÈCES DE RECHANGE
1	07003-00237	JOINT (STATIQUE)	1	-	30	07004-00059	RONDELLE STAR-LOCK NOIR 1/8 po		1	-
2	07530-00500	ENSEMBLE DE BOUTON DE PURGE (ARTICLES 56 à 59)	1	-	31	07003-00121	JOINT TORIQUE		2	3
3	07003-00236	JOINT (DYNAMIQUE)	1	1	32	07005-01571	CONNECTEUR COUDÉ		2	-
4	07003-00167	JOINT TORIQUE	1	1	33	07002-00134	ÉCROU HEXAGONAL M4		5	-
5	07271-01100	ENSEMBLE CURSEUR MÉCANIQUE	1	-	34	07001-00401	VIS À TÊTE CYLINDRIQUE LONGUE M4 x 10		3	-
6	07530-02207	CYLINDRE DE MÂCHOIRES DE QUEUE	1	-	35	07530-02210	ÉTIQUETTE		2	-
7	07530-02205	BOUCHON DE CANON	1	-	36	07007-01504	ÉTIQUETTE DE LA MARQUE CE		1	-
8	07530-00208	BOÎTIER DE MÂCHOIRES	1	-	37	73200-02022	ÉTIQUETTE DE SÉCURITÉ		1	-
9	07151-00403	MÂCHOIRES	2	2	38	07530-02603	CAPUCHON D'EXTRÉMITÉ		1	-
10	07003-00113	JOINT TORIQUE	1	2	39	07001-00262	VIS À TÊTE CYLINDRIQUE LONGUE M4 x 22		2	-
11	07005-01972	RACCORD FILETÉ DE TYPE L	1	-	40	07530-02601	MOULURE DE POIGNÉE MODIFIÉE (DROITE)		1	-
12	07530-02211	TUBE ACCORDÉON À MÂCHOIRES EN QUEUE D'AIR	1	-	41	07530-02602	MOULURE DE POIGNÉE MODIFIÉE (GAUCHE)		1	-
13	07154-00404	RESSORT	1	-	43	07003-00113	JOINT TORIQUE		1	-
14	07530-02800	ASSEMBLAGE DE PISTON DE MÂCHOIRES DE QUEUE	1	-	44	07001-00504	VIS À TÊTE CYLINDRIQUE LONGUE M4 x 6		2	2
15	07530-00206	BANDE DE FROTTEMENT	1	1	45	07002-00153	RONDELLE EN PLASTIQUE M4		2	-
16	07490-03002	RESSORT DE RETOUR DU CANON	1	-	46	07530-02213	BOUCHON ARRIÈRE		1	-
17	07530-00204	LIMITEUR DE COURSE	1	-	47	07530-02220	ATTACHE		1	-
18	07530-00203	PISTON	1	-	48	07007-00300	BOUTON DE GÂCHETTE		1	-
19	07530-02202	CORPS	1	-	49	07220-00803	DISPOSITIF DE RETENTION		1	-
20	07003-00142	JOINT COLLÉ 1/8 po BSP	2	2	50	07125-00215	RESSORT		1	-
21	07005-01973	VANNE ANTIRETOUR	1	-	51	07530-02311	BOÎTIER DE GÂCHETTE		1	-
22	07008-00423	ASSEMBLAGE DE TUYAU HYDRAULIQUE	1	-	52	07005-01357	CONNECTEUR À BAGUE DE SERRAGE		1	-
23	07005-01083	TUBE PLASTIQUE BLEU O/D 4 mm	60 mm	-	53	07003-00022	JOINT TORIQUE		1	-
24	07007-00017	CAPUCHON ANTI-POUSSIÈRE	1	-	54	07241-00208	TIGE		1	-
25	07530-02201	CANON	1	-	56	07003-00142	● BAGUE COMPOSITE		1	1
26	07004-00058	RONDELLE STAR-LOCK CHROME 1/8 po	1	-	57	07003-00194	● BAGUE COMPOSITE		1	1
27	07001-00404	VIS À TÊTE CREUSE LONGUE M5 x 6	1	-	58	07001-00442	● VIS		1	-
28	07530-02301	BLOC D'INTERRUPTEURS	1	-	59	07530-00501	● BOUCHON		1	-
29	07530-02302	BOBINE DE MÂCHOIRES DE QUEUE D'AIR	1	-	60	07530-00310	BOUCHONS DE FERMETURE		2	-

6.5 ASSEMBLAGE GÉNÉRAL DE L'OUTIL DE BASE 07532-02200 MKII



6.6 LISTE DE PIÈCES POUR L'OUTIL DE BASE 07532--02200 MKII

LISTE DES PIÈCES 07532-02200										
ARTICLE	N° DE LA PIÈCE	DESCRIPTION	QTE	PIÈCES DE RECHANGE	ARTICLE	N° DE LA PIÈCE	DESCRIPTION	QTE	PIÈCES DE RECHANGE	ARTICLE
1	07003-00237	JOINT (STATIQUE)	1	-	34	07001-00404	VIS À TÊTE CREUSE LONGUE M5 x 6	1	-	
2	07532-00203	ADAPTATEUR TUYAU SUPÉRIEUR	1	-	35	07530-02301	BLOC D'INTERRUPTEURS	1	-	
3	07003-00142	JOINT COLLÉ 1/8 po BSP	4	2	36	07530-02302	BOBINE DE MÂCHOIRES DE QUEUE D'AIR	1	-	
4	07532-02202	PLAQUE DE MONTAGE DE LA SUSPENSION	1	-	37	07004-00059	RONDELLE STAR-LOCK NOIR 1/8 po	1	-	
5	07532-00205	VIS MODIFIÉE	1	-	38	07003-00121	JOINT TORIQUE	2	3	
6	07005-00759	COUPLEUR À FERMETURE AUTOMATIQUE	1	-	39	07005-01571	CONNECTEUR COUDÉ	2	-	
7	07005-01357	CONNECTEUR À BAGUE DE SERRAGE	3	-	40	07002-00134	ÉCROU HEXAGONAL M4	5	-	
8	07005-01325	CONNECTEUR DROIT BARBÉ	2	-	41	07001-00401	VIS À TÊTE CYLINDRIQUE LONGUE M4 x 10	3	-	
9	07003-00236	JOINT (DYNAMIQUE)	1	1	42	07530-02210	ÉTIQUETTE	2	-	
10	07003-00167	JOINT TORIQUE	1	1	43	07007-01504	ÉTIQUETTE DE LA MARQUE CE	1	-	
11	07271-01100	ENSEMBLE CURSEUR MÉCANIQUE	1	-	44	73200-02022	ÉTIQUETTE DE SÉCURITÉ	1	-	
12	07530-02207	CYLINDRE DE MÂCHOIRES DE QUEUE	1	-	45	07530-02603	CAPUCHON D'EXTRÉMITÉ	1	-	
13	07490-03002	RESSORT DE RETOUR DU CANON	1	-	46	07001-00262	VIS À TÊTE CYLINDRIQUE LONGUE M4 x 22	2	-	
14	07530-02205	BOUCHON DE CANON	1	-	47	07532-02208	MOULURE DE POIGNÉE MODIFIÉE (DROITE)	1	-	
15	07530-00208	BOÎTIER DE MÂCHOIRES	1	-	48	07532-02209	MOULURE DE POIGNÉE MODIFIÉE (GAUCHE)	1	-	
16	07151-00403	MÂCHOIRES	2	2	50	07003-00113	JOINT TORIQUE	1	-	
17	07003-00113	JOINT TORIQUE	1	2	51	07001-00504	VIS À TÊTE CYLINDRIQUE LONGUE M4 x 6	2	2	
18	07005-01972	RACCORD FILETÉ DE TYPE L	1	-	52	07002-00153	RONDELLE EN PLASTIQUE M4	2	-	
19	07530-02211	TUBE ACCORDEON À MÂCHOIRES EN QUEUE D'AIR	1	-	53	07530-02213	BOUCHON ARRIÈRE	1	-	
20	07154-00404	RESSORT	1	-	54	07530-02220	ATTACHE	1	-	
21	07530-02800	ASSEMBLAGE DE PISTON DE MÂCHOIRES DE QUEUE	1	-	55	07007-00300	BOULTON DE GÂCHETTE	1	-	
22	07530-00206	BANDE DE FROTTEMENT	1	1	56	07220-00803	DISPOSITIF DE RETENTION	1	-	
23	07530-00204	LIMITEUR DE COURSE	1	-	57	07125-00215	RESSORT	1	-	
24	07530-00203	PISTON	1	-	58	07530-02311	BOÎTIER DE GÂCHETTE	1	-	
25	07530-02202	CORPS	1	-	60	07003-00022	JOINT TORIQUE	1	-	
26	07005-01973	VANNE ANTIRETOUR	1	-	61	07241-00208	TIGE	1	-	
27	07005-01083	TUBE PLASTIQUE BLEU O/D 4 mm	350 mm	-	63	07008-00414	ASSEMBLAGE DE TUYAU HYDRAULIQUE	1	-	
28	07532-02215	BOUCHON D'ÉTANCHÉITÉ	1	-	64	07003-00142	● BAGUE COMPOSITE	1	1	
29	07005-01084	TUBE PLASTIQUE NOIR O/D 4 mm	220 mm	-	65	07003-00194	● BAGUE COMPOSITE	1	1	
30	07530-00500	ENSEMBLE DE BOULTON DE PURGE (ARTICLES 64 à 67)	1	-	66	07001-00442	● VIS	1	-	
31	07530-02201	CANON	1	-	67	07530-00501	● BOUCHON	1	-	
32	07007-00017	CAPUCHON ANTI-POUSSIÈRE	1	-	68	07530-00310	PLAQUE D'OBTURATION	2	-	
33	07004-00058	RONDELLE STAR-LOCK CHROME 1/8 po	1	-						

6.7 INTENSIFICATEUR 07531-02200 – ENTRETIEN

Instructions de démontage

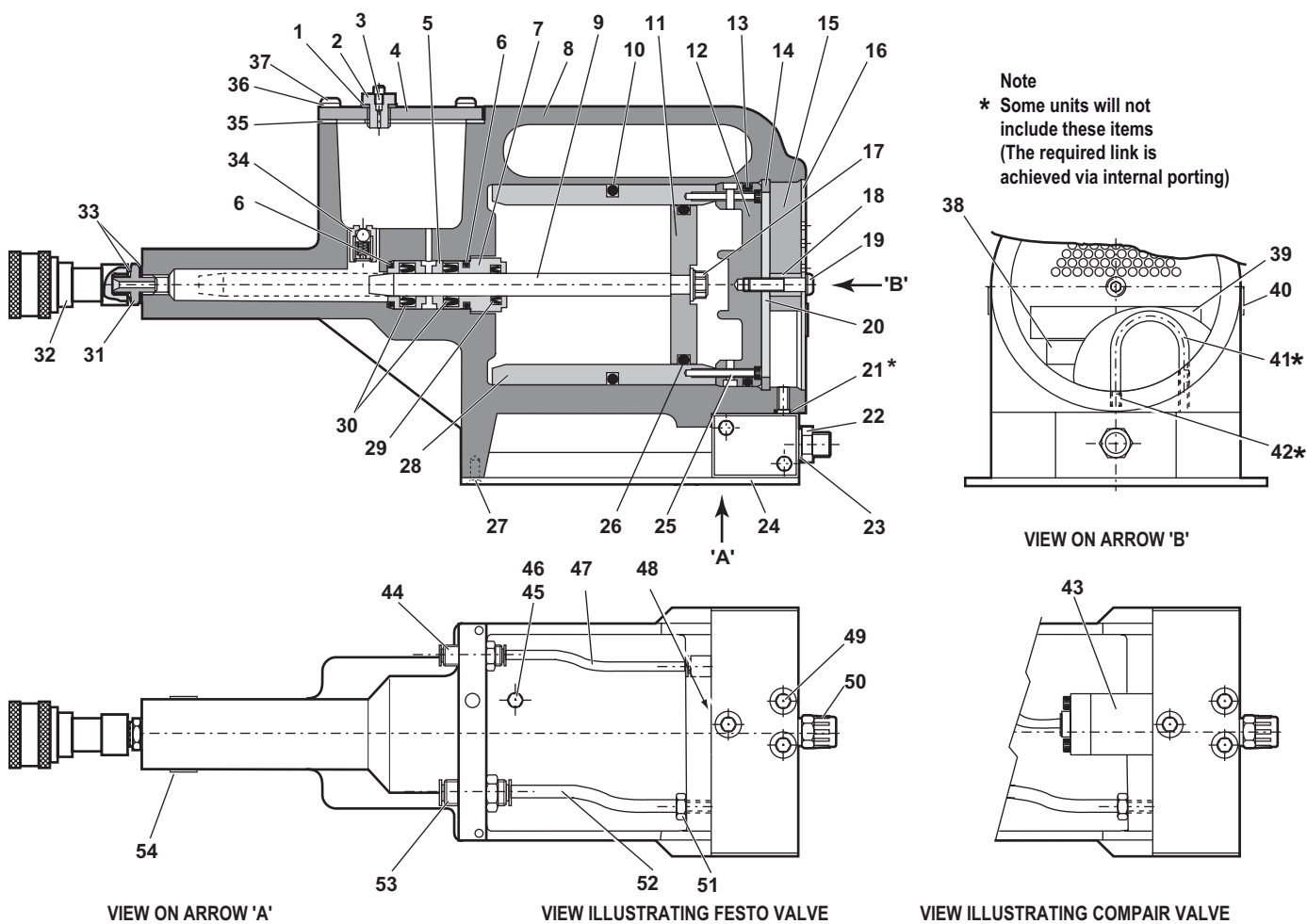
- Lors du démontage de l'ensemble de l'intensificateur, commencez par débrancher le tuyau d'alimentation en air du connecteur d'entrée de l'intensificateur **22**.
- À l'aide d'une clé hexagonale*, dévissez les quatre vis **27** et retirez la plaque de protection **24**.
- Débranchez le tuyau de déclenchement (article 22 en page 54 ou article 29 en page 57) de la vanne **43** ou **48** de l'intensificateur en appuyant sur la bague de sortie et en retirant le tuyau.
- Retirez la plaque de protection **4** et le joint **35** en enlevant les vis **37** et les rondelles **36** à l'aide de la clé hexagonale*.
- Assurez-vous que le joint n'est pas endommagé pour garantir une bonne étanchéité de l'ensemble.
- Inversez l'ensemble du multiplicateur et vidangez l'huile du réservoir dans un conteneur approprié.
- Retirez le connecteur à libération rapide **32** ainsi que le connecteur **31** et les joints **33** à l'aide d'une clé appropriée*.
- Retirez la vanne **43** ou **48** du multiplicateur en retirant les vis de fixation à l'aide d'une clé appropriée en veillant à conserver le joint torique **21** situé dans le moulage du corps l'intensificateur.
- Retirez la vis **19** à l'aide d'une clé hexagonale adaptée* et retirez le capot du silencieux **16**, le silencieux en mousse **15**, l'entretoise **18** et la plaque de retenue **20**.
- Retirez le tuyau en plastique de 6 mm **41** des connecteurs d'aspiration **42**.
- Depuis la base de l'amplificateur, insérez une clé hexagonale de 3 mm * dans les deux trous et dévissez les connecteurs d'aspiration **42**. Remarque :
 - Il faut faire attention, car les connecteurs à vide sont verrouillés et scellés en place à l'aide de Loctite 574.
 - S'ils sont difficiles à retirer, les connecteurs à vide peuvent être percés à l'aide d'un foret de $\frac{3}{16}$ po ou 4,7 mm de diamètre.
- Pour réassembler les connecteurs à vide **42**, il faut suivre la procédure suivante : -
 - Trempez les connecteurs de vide dans un apprêt approprié, par exemple Perma Bond A905.
 - Placez une goutte de Loctite 574 dans le trou fileté de l'intensificateur.
 - Depuis la base de l'intensificateur, insérez la clé hexagonale * dans le trou. Assurez-vous que la clé hexagonale* est exempte de Loctite 574 avant de l'insérer dans le connecteur de vide.
 - Faites tourner la clé hexagonale tout en appliquant de la Loctite 574 à la base du connecteur de vide.
 - Vissez le connecteur de vide dans l'intensificateur, en vous assurant qu'il y a suffisamment de Loctite 574 à la base du raccord pour que le filetage ne soit pas visible.
- À l'aide d'un tournevis, retirez soigneusement la bague de retenue interne **14**. Nettoyez et inspectez la rainure pour détecter tout signe de dommage.
- À l'aide d'un extracteur*, insérez l'extrémité fileté mâle dans le capot **12** et retirez-la avec le manchon de l'intensificateur **28** et les joints toriques **10** et **13**.
- Insérez la tige* dans l'orifice du connecteur à l'avant du corps de l'intensificateur et retirez la tige de piston **9** et le piston.
- À l'aide d'une clé hexagonale* appropriée, dévissez les deux vis **25** et retirez le capot **12** de la douille **28** de l'intensificateur.
- Retirez le bouchon d'étanchéité **7** à l'aide d'une clé*.
- Insérez la tige* dans l'orifice du connecteur situé à l'avant du corps de l'intensificateur et extraire le boîtier d'étanchéité **5**, les joints toriques et les joints à lèvres associés.
- Retirez le boîtier de vanne **34** du corps principal à l'aide d'une clé appropriée*. Nettoyez en soufflant à travers avec un jet d'air à basse pression.
- Retirez la tige de piston **9** du piston d'air de l'intensificateur **11** en saisissant les premiers 20 mm ($\frac{3}{4}$ po) de la tige dans un étau équipé de mâchoires souples, en veillant à ne pas endommager ou marquer la surface de travail.
- Dévissez l'écrou de verrouillage **17** à l'aide d'une clé appropriée*.
- Reassemblez dans l'ordre inverse du démontage, en respectant les points suivants :
 - Nettoyez toutes les pièces et renouvelez tous les joints toriques.
 - Lubrifiez tous les joints à l'aide de graisse Moly Lithium.

* Fait référence aux éléments inclus dans le nécessaire d'entretien du 0753 MkII. Pour la liste complète, voir page 49. Tous les numéros **en gras** font référence à l'illustration et à la liste des pièces ci-contre.

- L'ensemble du boîtier de la vanne **34** doit être remonté en utilisant un adhésif d'étanchéité pour filetage.
- Assemblez l'ensemble du piston en utilisant un nouvel écrou **17**.
- Le capot **12** doit être monté correctement à l'intérieur de la bague de retenue **14**. L'outil ne doit pas être utilisé si le capot d'extrémité a été omis.

IMPORTANT

L'amorçage est **TOUJOURS** nécessaire après le démontage de l'outil et avant son utilisation.

6.8 INTENSIFICATEUR 07531-02200

* Fait référence aux éléments inclus dans le nécessaire d'entretien du 0753 MkII. Pour la liste complète, voir page 49. Tous les numéros **en gras** font référence à l'illustration et à la liste des pièces ci-contre.

LISTE DES PIÈCES 07531-02200

ARTICLE	N° DE LA PIÈCE	DESCRIPTION	QTÉ	PIÈCES DE RECHANGE	ARTICLE	N° DE LA PIÈCE	DESCRIPTION	QTÉ	PIÈCES DE RECHANGE
1	07003-00037	JOINT D'ÉTANCHÉITÉ	1	1	28	07531-00201	MANCHON	1	-
2	07240-00211	VIS DE REMPLISSAGE	1	-	29	07003-00337	JOINT À LÈVRES	1	1
3	07001-00418	VIS DE PURGE	1	1	30	07003-00336	JOINT À LÈVRES	2	2
4	07240-00210	PLAQUE DE CAPOT	1	-	31	07005-00406	CONNECTEUR	1	-
5	71420-02006	BOÎTIER D'ÉTANCHÉITÉ	1	-	32	07005-00759	CONNECTEUR À LIBÉRATION RAPIDE	1	-
6	07003-00153	JOINT TORIQUE	2	-	33	07003-00142	JOINT D'ÉTANCHÉITÉ	2	1
7	71420-02007	BOUCHON D'ÉTANCHÉITÉ	1	-	34	07240-00400	ENSEMBLE DU BOÎTIER DE VANNE	1	-
8	71420-02300	ENSEMBLE DU CORPS	1	-	35	07240-00209	JOINT	1	1
9	71420-02008	TIGE DU PISTON	1	-	36	07002-00073	RONDELLE	4	1
10	07003-00182	JOINT TORIQUE	1	1	37	07001-00554	VIS	4	1
11	07531-00202	PISTON À AIR	1	-	38	07007-01504	ÉTIQUETTE	1	-
12	07531-00204	CAPOT D'EXTRÉMITÉ	1	-	39	07240-00217	ÉTIQUETTE	1	-
13	07003-00183	JOINT TORIQUE	1	1	40	07531-00205	ÉTIQUETTE	2	-
14	07004-00069	BAGUE DE RETENUE	1	1	41	07005-00596	* TUYAU EN PLASTIQUE 6 mm	-	-
15	07240-00213	SILENCIEUX EN MOUSSE	1	1	42	07245-00103	* CONNECTEUR À VIDE	2	-
16	07240-00214	CAPOT DE SILENCIEUX	1	-	43	07005-00590	VANNE COMPAIR	1	1
17	07002-00017	ÉCROU	1	1	44	07005-01431	CONNECTEUR DE CLOISON	1	1
18	07240-00215	ENTRETOISE	1	-	45	07005-00668	BOUCHON M5	1	-
19	07001-00417	VIS	1	1	46	07005-00670	BAGUE D'ÉTANCHÉITÉ M5	1	-
20	07240-00216	PLAQUE DE RETENUE	1	-	47	07005-01084	TUYAU EN PLASTIQUE 4 mm (150 mm)	-	-
21	*07003-00042	JOINT TORIQUE	1	1	48	07005-01524	VANNE FESTO	1	-
22	07005-00041	CONNECTEUR	1	-	49	07001-00176	VIS	3	-
23	07003-00065	RONDELLE	1	-	50	07007-00292	CAPUCHON ROUGE BSP 1/4 po	1	-
24	07240-00220	PLAQUE DE PROTECTION	1	-	51	07005-00647	CONNECTEUR	1	-
25	07001-00375	VIS	2	-	52	07005-01085	TUYAU EN PLASTIQUE 6 mm (150 mm)	-	-
26	07003-00238	JOINT TORIQUE	1	1	53	07005-00855	UNITÉ DE CLOISON	1	-
27	07001-00396	VIS	4	-	54	73200-02022	ÉTIQUETTE DE SÉCURITÉ	1	-

6.9 VANNE PILOTE 07005-00590 – ENTRETIEN

Instructions de démontage

Veillez noter que ces consignes d'entretien concernent la vanne Compair lorsqu'elle est installée.

L'entretien de la vanne se limite au retrait/remplacement des joints toriques.

- Retirez les vis **24** et retirez l'ensemble du pilote.
- Retirez le piston **11** et jetez les joints toriques **3, 10, 4** et **5**.
- Retirez les vis **26** et **21** et retirez les capuchons d'extrémité **22** et **25**.
- Retirez les pistons **12** et **18** et retirez les joints toriques **7** et **9** des pistons.
- Retirez la bobine **16** de l'alésage, en prenant soin de ne pas endommager la surface de la bobine et retirez les rondelles de positionnement **14** et **17**, le joint torique **8**, les entretoises **15** et le joint torique **6** de chaque extrémité du corps de la vanne.
- Retirez les cinq joints toriques d'interface **4**.
- Jetez TOUS les joints toriques retirés.
- Nettoyez toutes les pièces avec de la paraffine ou du white-spirit. N'UTILISEZ PAS DE SOLVANTS. Séchez toutes les pièces.
- Enduisez légèrement les alésages du corps de la vanne **23**, du corps de la vanne pilote **19**, des deux capuchons d'extrémité **22** et **25** et de tous les joints toriques de remplacement avec de la graisse CENTOPLEX 2.
- Fixez les nouveaux joints toriques **10, 4** et **5** sur le piston **11** et insérez-les dans le corps de la vanne pilote.
- Fixez les nouveaux joints toriques **3, 10** et **6** sur le corps de la vanne pilote **20**, mettez le capuchon supérieur **20** en place et fixez l'ensemble de la vanne pilote au corps de la vanne principale **23** avec les vis **24**. Assurez-vous que le boîtier du joint d'interface est orienté vers le haut avec le G1/4 en bas. Assurez-vous que l'orientation du piston **11** est correcte.
- Le corps de la vanne principale **23** étant dans la même position, monter la rondelle verte **17** sur le côté gauche de l'ensemble de la vanne.
- En partant du côté droit de la vanne, montez alternativement les joints toriques **8** et les entretoises **15** (6 joints et 5 entretoises) et terminez l'assemblage de la pile avec la rondelle blanche **14**.
- Enduisez légèrement la bobine **16** de graisse CENTOPLEX 2, fournie avec le nécessaire d'entretien, et faites glisser la bobine dans la pile de joints/entretoises.
- Fixez les joints toriques **9** et **7** sur les pistons respectifs **18** et **12**, fixez les joints toriques **6** aux extrémités du corps principal de la vanne **23**.
- Insérez les pistons dans les capuchons d'extrémité **25** et **22** et assemblez les capuchons d'extrémité à la vanne, en prenant soin de placer les arbres de piston dans les trous des extrémités de la bobine **16**.
- Fixez l'ensemble des embouts sur le corps principal de la vanne **23** avec les vis **26** et **21**.
- Fixez les joints toriques d'interface **4** dans leur boîtier dans le corps de la vanne principale.
- Si le raccordement du tuyau à l'ensemble pilote est endommagé, remplacer la douille en plastique **2** et retirer le joint torique **1** de la cartouche **27**.
- Fixez le nouveau joint torique **1** et insérez le collet en plastique **2** dans la cartouche **27**.

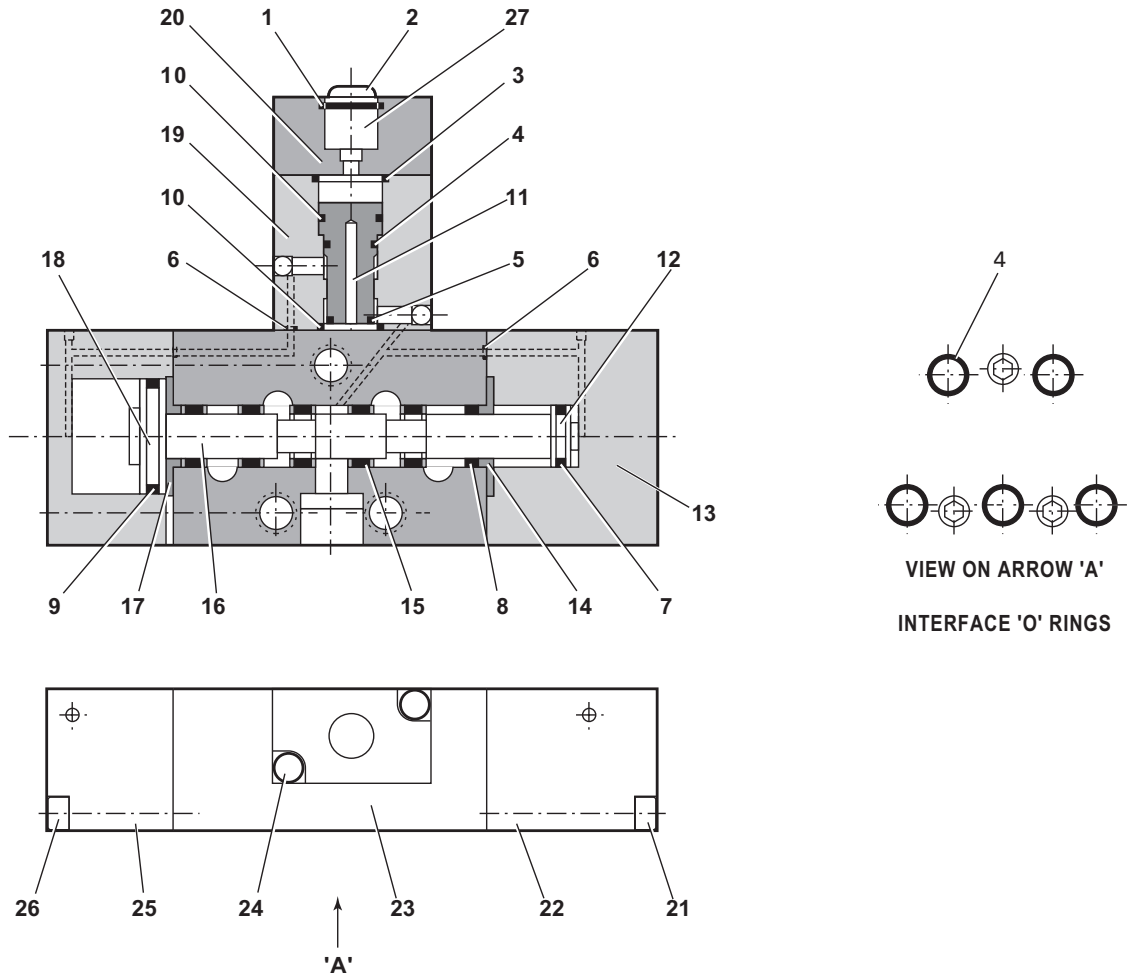
6.10 PROTÉGER L'ENVIRONNEMENT

Assurez-vous de la conforme aux réglementations applicables sur l'élimination. Éliminez tous les déchets dans une installation ou un site de gestion des déchets approuvé afin de ne pas exposer le personnel et l'environnement aux dangers.

IMPORTANT

L'amorçage est TOUJOURS nécessaire après le démontage de l'outil et avant son utilisation.

6.11 VANNE PILOTE 07005-00590 – INFORMATIONS SUR LES PIÈCES DE RECHANGE



LISTE DES PIÈCES DE LA VANNE 07005-00590

ARTICLE	N° DE LA PIÈCE	DESCRIPTION	QTÉ	PIÈCES DE RECHANGE	ARTICLE	N° DE LA PIÈCE	DESCRIPTION	QTÉ	PIÈCES DE RECHANGE
1	07005-00599	* JOINT TORIQUE	-	-	15	-	† ENTRETOISE	5	-
2	07005-00598	* COLLIER EN PLASTIQUE	-	-	16	-	† BOBINE	1	-
3	07003-00204	* JOINT TORIQUE	1	-	17	-	† RONDELLE	1	-
4	07003-00103	* JOINT TORIQUE	6	-	18	-	† PISTON	1	-
5	07003-00042	* JOINT TORIQUE	1	-	19	-	† CORPS	1	-
6	07003-00121	* JOINT TORIQUE	4	-	20	-	† CAPUCHON SUPÉRIEUR	1	-
7	08005-00127	* JOINT TORIQUE	1	-	21	-	† VIS	2	-
8	07003-00105	* JOINT TORIQUE	6	-	22	-	† CAPUCHON D'EXTRÉMITÉ	1	-
9	07003-00178	* JOINT TORIQUE	1	-	23	-	† CORPS	1	-
10	07003-00017	* JOINT TORIQUE	2	-	24	-	† VIS	2	-
11	-	† PISTON	1	-	25	-	† CAPUCHON D'EXTRÉMITÉ	1	-
12	-	† PISTON	1	-	26	-	† VIS	2	-
13	07005-00590	ASSEMBLAGE DE VANNE	-	-	27	-	† CARTOUCHE	1	-
14	-	† RONDELLE	1	-					

* L'ensemble de ces éléments constitue un nécessaire d'entretien pour la vanne avec l'ajout d'un tube de graisse Centoplex 2. Le nécessaire est disponible chez Avdel, numéro de pièce 07005-01538.

† Non disponible en tant que pièce de rechange

7. AMORÇAGE

L'amorçage est TOUJOURS nécessaire après le démontage de l'outil et avant son utilisation. Il peut également être nécessaire de rétablir la course complète après une utilisation considérable, lorsque la course peut être réduite et que les fixations ne sont pas entièrement placées par une seule opération de la gâchette.

7.1 DÉTAILS SUR L'HUILE

L'huile d'amorçage recommandée est Hyspin VG32 et AWS 32, disponible en contenants de 0,5 l (référence 07992-00002) ou d'un gallon (référence 07992-00006). Veuillez consulter les données de sécurité ci-dessous.

7.2 FICHES SIGNALÉTIQUES DES HUILES HYSPIN VG 32 ET AWS 32

Premiers soins

PEAU :

Lavez soigneusement à l'eau et au savon dès que possible. Un contact occasionnel ne nécessite pas d'attention immédiate. Un contact de courte durée ne nécessite pas de soins immédiats.

INGESTION :

Consultez immédiatement un médecin. NE provoquez PAS de vomissements.

YEUX :

Rincez immédiatement à l'eau pendant plusieurs minutes. Bien qu'il ne s'agisse PAS d'un irritant primaire, une irritation mineure peut se produire après contact.

Incendie

Moyens d'extinction appropriés : CO₂, poudre sèche, mousse ou brouillard d'eau. N'utilisez PAS de jets d'eau.

Environnement

ÉLIMINATION DES DÉCHETS : Par l'intermédiaire d'un entrepreneur autorisé, vers un site autorisé. Peut être incinéré. Le produit usagé peut être envoyé à la récupération.

DÉVERSEMENTS : Empêchez la pénétration dans les drains, les égouts et les cours d'eau. Épongez avec un matériau absorbant.

Manutention

Portez des lunettes de protection, des gants imperméables (par exemple en PVC) et un tablier en plastique. Utilisez dans un endroit bien ventilé.

Entreposage

Aucune précaution particulière.

7.3 MODE D'AMORÇAGE

IMPORTANT

N'ACTIONNEZ PAS LA GÂCHETTE LORSQUE LA VIS DE PURGE EST RETIRÉE.

Toutes les opérations doivent être effectuées sur un établi propre, avec des mains propres et dans une zone propre.

Assurez-vous que l'huile neuve est parfaitement propre et exempte de bulles d'air.

ASSUREZ-vous à tout moment qu'aucun corps étranger ne pénètre dans l'outil, sinon vous risquez de l'endommager gravement.

- Retirez la vis de remplissage **2** et le joint **1** de la plaque de capot en plastique **4** du réservoir de l'intensificateur.
- Versez l'huile d'amorçage dans le réservoir jusqu'à ce qu'il soit à environ 1/2 po (12 mm) du haut.
- Remplacez la vis de **2** et le joint **1**.
- Branchez l'intensificateur à l'alimentation en air. Retirez la vis du réservoir.
- L'unité de pistolet étant montée sur l'unité d'intensificateur et maintenue sous le niveau de l'unité d'intensificateur, dévisser de deux tours la vis de purge **58** de l'ensemble bouchon de purge **2** sur l'outil 07530 Mk II ou la vis de purge **66** de l'ensemble bouchon de purge **30** sur l'outil 07532 Mk II et laisser l'huile s'écouler de l'outil.
- Lorsque l'huile s'écoule librement et sans bulles d'air, serrez la vis de purge.
- Remplissez le réservoir de l'unité d'intensificateur avec de l'huile d'amorçage.
- Faites tourner l'outil jusqu'à ce que toutes les bulles d'air présentes dans l'huile soient expulsées dans le réservoir d'huile.

Tous les numéros **en gras** font référence à l'assemblage général et à la liste des pièces dans les pages 54-58.

8. DIAGNOSTIC DE PANNE

PROBLÈME	CAUSE POSSIBLE	SOLUTION	RÉFÉRENCE PAGE	
L'outil ne permet pas de placer la fixation	Pression d'air faible.	Augmentez la pression d'air		
	Manque de lubrification.	Lubrifiez l'outil au point d'entrée d'air		
	Charge de broches élevée.	Vérifiez la saisie des fixations et la taille de trous de l'application		
	Vérifiez si c'est la bonne taille de mandrin.			
	Mâchoires de la queue usées ou brisées.	Nouvelles mâchoires de queue		
	Mâchoires de queue désactivées.	Activez les mâchoires de queue.		
	Air dans le système hydraulique.	Voir « Procédure d'amorçage ».	64	
« Glissement du mandrin » – les mâchoires ne saisissent pas le mandrin	Mâchoires de la queue usées ou sales	Nettoyez ou renouvelez au besoin		
	'Pression ou volume d'air insuffisant.	Augmentez la pression ou le volume d'air		
	'Interrupteur de mâchoires de queue non fonctionnel.	Remplacez l'interrupteur		
	'Fuites d'air dans les mâchoires de queue.	Remplacez les joints toriques du piston 8		
	Le mandrin est cassé et n'atteint pas les mâchoires de queue.	Remplacez le mandrin		
	Vanne antiretour défectueuse.	Remplacez la vanne antiretour.		
Les mâchoires ne libèrent pas le mandrin	Mâchoires de queue ou boîtier de mâchoires encrassés.	Nettoyez et lubrifiez.		
	Interrupteur de mâchoires de queue défectueux.	Remplacez les joints toriques		
Les fixations ne s'insèrent pas dans les mâchoires de l'embout	Les mâchoires de queue ne sont pas activées.	Activez les mâchoires de queue.		
	Mâchoires de la queue usées.	Renouvelez les mâchoires de queue		
	Mauvaise orientation du curseur	Replacez en vous assurant de la bonne direction		
	Curseur incorrect	Ajustez le curseur de manière correcte		
	Mâchoires de l'embout incorrectes.	Placez correctement les mâchoires de l'embout		
	Le ressort suiveur du mandrin n'est pas fixé.	Fixez correctement le ressort suiveur du mandrin		
	Espace incorrect entre la tête de la fixation et les mâchoires de l'embout lorsque chargé.	Réglez l'espace de 1,5 mm à 3 mm (1/16" - 1/8 po) Voir « Chargement de l'outil »	47	
	Le curseur colle.	Nettoyez et huilez le curseur		
	Ressort extérieur lâche autour du curseur.	Renouvelez le curseur		
	Mauvais ressort suiveur du mandrin fixé.	Fixez correctement le ressort suiveur du mandrin		
Usure excessive des mâchoires de la queue	Charge de broches élevée.	Vérifiez la taille et l'épaisseur du trou de l'application et la capacité d'adhérence de la fixation		
Alimenter plus d'une fixation à la fois	Glissement du mandrin.	Vérifiez comme pour le « Glissement du mandrin », étape 2		
	Espace incorrect entre la tête de la fixation et les mâchoires de l'embout lorsque chargé	Réglez l'espace de 1,5 mm à 3 mm (1/16" - 1/8 po) Voir « Chargement de l'outil » sur la page	47	

Les autres symptômes ou défaillances doivent être signalés au distributeur agréé ou au centre de réparation local d'Avdel.

NOTES

9. DÉCLARATION DE CONFORMITÉ CE

Nous, **Stanley Engineered Fastening, Stanley House, Works Road, Letchworth Garden City, Hertfordshire, SG6 1JY UNITED KINGDOM**, déclarons sous notre seule responsabilité que le produit :

Description: Outil de répétition hydro-pneumatique pour rivets rapides

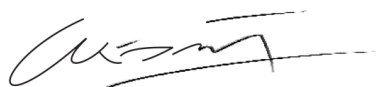
Modèle : 07530 / 07531 / 07532

auquel cette déclaration est liée, est conforme aux normes harmonisées suivantes :

ISO 12100:2010	EN ISO 3744:2010
EN ISO 11202:2010	EN ISO 11148-1:2011
EN ISO 4413:2010	BS EN 28662-1:1993
EN ISO 4414:2010	EN ISO 20643:2008+A1:2012
EN ISO 28927-5:2009+A1:2015	ES100118-rév. 17:2017

La documentation technique est présentée conformément à l'annexe VII, conformément à la directive suivante : **2006/42/CE Directive sur les machines** (Instruments statutaires 2008 No 1597 - La fourniture de machines (sécurité) faisant référence à la réglementation).

Le signataire fait cette déclaration au nom de STANLEY Engineered Fastening



A. K. Seewraj

Directeur du génie, Royaume-Uni

Avdel UK Limited, Stanley House, Works Road, Letchworth Garden City, Hertfordshire, SG6 1JY ROYAUME-UNI

Lieu d'émission : Letchworth Garden City, ROYAUME-UNI

Date d'émission : 27/08/2021

Le signataire est responsable de la compilation du fichier technique pour les produits vendus dans l'Union européenne et fait cette déclaration au nom de Stanley Engineered Fastening.

Matthias Appel

Chef d'équipe Documentation technique

Stanley Engineered Fastening, Tucker GmbH, Max-Eyth-Str.1, 35394 Gießen, Allemagne



Cet équipement est conforme aux
directive sur l'équipement 2006/42/CE

10. DÉCLARATION DE CONFORMITÉ R-U

Nous, **Stanley Engineered Fastening, Stanley House, Works Road, Letchworth Garden City, Hertfordshire, SG6 1JY UNITED KINGDOM**, déclarons sous notre seule responsabilité que le produit :

Description: Outil de répétition hydro-pneumatique pour rivets rapides

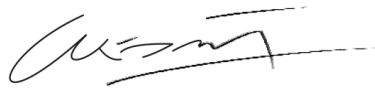
Modèle : 07530 / 07531 / 07532

auquel cette déclaration est liée, est conforme aux normes désignées suivantes :

ISO 12100:2010	EN ISO 3744:2010
EN ISO 11202:2010	EN ISO 11148-1:2011
EN ISO 4413:2010	BS EN 28662-1:1993
EN ISO 4414:2010	EN ISO 20643:2008+A1:2012
EN ISO 28927-5:2009+A1:2015	ES100118-rév. 17:2017

La documentation technique est compilée conformément aux réglementations sur la Fourniture de machines (sécurité) 2008, S.I. 2008/1597 (telle qu'amendée).

Le signataire fait cette déclaration au nom de STANLEY Engineered Fastening



A. K. Seewraj

Directeur du génie, Royaume-Uni

Avdel UK Limited, Stanley House, Works Road, Letchworth Garden City, Hertfordshire,
SG6 1JY ROYAUME-UNI

Lieu d'émission : Letchworth Garden City, ROYAUME-UNI

Date d'émission : 27/08/2021



Cet équipement est conforme aux
réglementations sur la Fourniture de machines (sécurité) 2008,
S.I. 2008/1597 (telle qu'amendée).

11. PROTÉGEZ VOTRE INVESTISSEMENT!

GARANTIE SUR LES OUTILS À RIVETS AVEUGLES Stanley® Engineered Fastening

STANLEY® Engineered Fastening garantit que tous les outils électriques ont été soigneusement fabriqués et qu'ils sont exempts de tout défaut de matériaux et de main-d'œuvre en utilisation normale et l'entretien pendant une période de un (1) an.

Cette garantie s'applique au premier acheteur de l'outil pour l'utilisation originale seulement.

Exclusions :

Usure normale.

L'entretien périodique, les réparations et les pièces de remplacement dus à l'usure normale sont exclus de la couverture.

Abus et mauvaise utilisation.

Une défectuosité ou des dommages résultant d'une utilisation inappropriée, d'entreposage, d'une mauvaise utilisation, d'un abus ou d'une négligence, comme des dommages physiques sont exclus de la couverture.

Service ou modification non autorisé.

Les défectuosités ou les dommages résultant d'un service, d'un ajustement de test, d'une installation, d'un entretien, d'une altération ou d'une modification de quelque façon et par quiconque autre STANLEY® Engineered Fastening ou ses centres de services autorisés, sont exclus de la couverture.

Toutes les autres garanties, qu'elles soient expresses ou implicites, incluant toute garantie de qualité marchande et d'adaptation sont par la présente exclues.

Si cet outil ne respecte pas la garantie, retournez rapidement l'outil à l'emplacement du centre de services autorisés le plus près. Pour une liste des centres de services autorisés STANLEY® Engineered Fastening aux États-Unis ou au Canada, contactez-nous à notre ligne sans frais au (877) 364-2781.

À l'extérieur des États-Unis et du Canada, visitez notre site Web **www.StanleyEngineeredFastening.com** pour trouver votre emplacement STANLEY Engineered Fastening le plus près.

STANLEY Engineered Fastening remplacera alors, sans aucuns frais, une ou des pièces trouvées par nous comme étant défectueuses en raison d'un défaut de fabrication et matériau ou de main-d'œuvre et retournera l'outil prépayé. Cela représente notre seule obligation sous cette garantie.

En aucun cas STANLEY Engineered Fastening ne sera tenu responsable de tout dommage consécutif ou spécial découlant de l'achat ou de l'utilisation de cet outil.

Enregistrez votre outil de rivets aveugles en ligne.

Pour enregistrer votre garantie en ligne, consultez notre site

<https://www.stanleyengineeredfastening.com/support/warranty-registration-form>

Merci d'avoir choisi un outil de la marque Stanley Assembly Technologies de STANLEY® Engineered Fastening.

©2021 STANLEY Black & Decker
Todos los derechos reservados.

La información proporcionada no puede ser reproducida y/o hecha pública de ninguna manera y por ningún medio (electrónico o mecánico) sin el permiso explícito y por escrito previo de STANLEY Engineered Fastening. La información proporcionada se basa en los datos conocidos en el momento de la introducción de este producto. STANLEY Engineered Fastening sigue una política de mejora continua del producto y, por lo tanto, los productos pueden estar sujetos a cambios. La información proporcionada es aplicable al producto tal como lo entrega STANLEY Engineered Fastening. Por lo tanto, STANLEY Engineered Fastening no se responsabiliza por ningún daño que resulte de desviaciones de las especificaciones originales del producto.

La información disponible se redactó con el mayor cuidado. Sin embargo, STANLEY Engineered Fastening no aceptará ninguna responsabilidad con respecto a cualquier falta en la información ni por las consecuencias de la misma. STANLEY Engineered Fastening no aceptará ninguna responsabilidad por daños resultantes de actividades realizadas por terceros. Los nombres de trabajo, nombres comerciales, marcas registradas, etc. utilizados por STANLEY Engineered Fastening no deben considerarse como gratuitos, de conformidad con la legislación con respecto a la protección de marcas comerciales.

CONTENIDO

1. DEFINICIONES DE SEGURIDAD	72
1.1 REGLAS GENERALES DE SEGURIDAD	72
1.2 PELIGROS DE PROYECTILES	72
1.3 PELIGROS DE OPERACIÓN	73
1.4 RIESGOS DE MOVIMIENTOS REPETITIVOS	73
1.5 RIESGOS DE ACCESORIOS	73
1.6 RIESGOS DEL LUGAR DE TRABAJO	73
1.7 RIESGOS DE RUIDO	73
1.8 RIESGOS DE VIBRACIÓN	74
1.9 INSTRUCCIONES ADICIONALES DE SEGURIDAD PARA HERRAMIENTAS NEUMÁTICAS E HIDRÁULICAS	74
2. ESPECIFICACIONES	75
2.1 ESPECIFICACIÓN PARA HERRAMIENTA 0753 TIPO MK II	75
2.2 ESPECIFICACIÓN PARA INTENSIFICADOR 07531	75
3. INTENCIÓN DE USO	76
3.1 DIMENSIONES DE HERRAMIENTA - MODELO 07530 MKII	77
3.2 DIMENSIONES DE HERRAMIENTA - MODELO 07532 MKII	77
4. PUESTA EN SERVICIO	78
4.1 SUMINISTRO DE AIRE	78
4.2 CURSOR	80
4.3 CARGA Y RECARGA DE LA HERRAMIENTA	80
4.4 PROCEDIMIENTO DE OPERACIÓN	81
4.5 EQUIPO DE COLOCACIÓN	81
5. SERVICIO DE HERRAMIENTA	82
5.1 DIARIAMENTE	82
5.2 SEMANALMENTE	82
5.3 DATOS DE SEGURIDAD DE GRASA DE LITIO MOLIBDENO EP 3753	82
5.4 JUEGO DE SERVICIO	83
6. MINTENIMIENTO	84
6.1 DESMANTELAMIENTO DE 07530-02200 MKII	84
6.2 DESMANTELAMIENTO DE 07532-02200 MKII	86
6.3 ENSAMBLE GENERAL DE HERRAMIENTA BASE 07530-02200 MKII	89
6.4 LISTA DE PARTES PARA HERRAMIENTA BASE 07530-02200 MKII	90
6.5 ENSAMBLE GENERAL DE HERRAMIENTA BASE 07532-02200 MKII	91
6.6 LISTA DE PARTES PARA HERRAMIENTA BASE 07532-02200 MKII	92
6.7 INTENSIFICADOR 07531-02200 - MANTENIMIENTO	93
6.8 INTENSIFICADOR 07531-02200	94
6.9 VÁLVULA PILOTO 07005-00590 - MANTENIMIENTO	96
6.10 PROTECCIÓN DEL AMBIENTE	96
6.11 VÁLVULA PILOTO 07005-00590 - INFORMACIÓN DE REPUESTOS	97
7. CEBADO	98
7.1 DETALLES DE ACEITE	98
7.2 DATOS DE SEGURIDAD DE ACEITE HYSPIIN VG 32 Y AWS 32	98
7.3 PROCEDIMIENTO DE CEBADO	98
8. DIAGNÓSTICO DE FALLA	99
9. DECLARACIÓN DE CONFORMIDAD EC	101
10. DECLARACIÓN DE CONFORMIDAD DEL REINO UNIDO	102
11. ¡PROTEJA SU INVERSIÓN!	103



Cualquier persona que instale u opere esta herramienta debe leer este manual de instrucciones, prestando especial atención a las siguientes reglas de seguridad.



Siempre use protección ocular resistente a impactos durante el funcionamiento de la herramienta. El grado de protección requerido debe evaluarse para cada uso.







Use protección auditiva de acuerdo con las instrucciones del empleador y conforme lo exijan las normas de seguridad y salud ocupacional.



El uso de la herramienta puede exponer las manos del operador a riesgos, incluyendo aplastamiento, impacto, cortes, abrasiones y calor. Use guantes adecuados para protegerse las manos.

1. DEFINICIONES DE SEGURIDAD

Las siguientes definiciones describen el nivel de severidad para cada palabra de señal. Por favor lea el manual y ponga atención a estos símbolos.

-  **PELIGRO:** Indica una situación de peligro inminente que, si no se evita, causará la muerte o lesiones graves.
-  **ADVERTENCIA:** Indica una situación potencialmente peligrosa que, de no evitarse, podría causar la muerte o lesiones graves.
-  **PRECAUCIÓN:** Indica una situación potencialmente peligrosa que, si no se evita, puede resultar en lesiones menores o moderadas.
-  **PRECAUCIÓN:** Usado sin el símbolo de alerta de seguridad indica una situación potencialmente peligrosa que, si no se evita, puede resultar en daño a la propiedad.

La operación o el mantenimiento incorrectos de este producto podrían provocar lesiones graves y daños materiales. Lea y comprenda todas las advertencias e instrucciones de funcionamiento antes de usar este equipo. Al usar herramientas eléctricas, siempre se deben seguir las precauciones básicas de seguridad para reducir el riesgo de lesiones personales.

GUARDE TODAS LAS ADVERTENCIAS E INSTRUCCIONES PARA REFERENCIA FUTURA

1.1 REGLAS GENERALES DE SEGURIDAD

- Para riesgos múltiples, lea y comprenda las instrucciones de seguridad antes de instalar, operar, reparar, mantener, cambiar accesorios o trabajar cerca de la herramienta. De lo contrario, puede provocar lesiones corporales graves.
- Sólo operadores calificados y capacitados deben instalar, ajustar o usar la herramienta.
- NO la use fuera de la intención de diseño de colocar remaches ciegos de STANLEY Engineered Fastening.
- Use sólo partes, sujetadores y accesorios recomendados por el fabricante.
- NO modifique la herramienta. Las modificaciones pueden reducir la efectividad de las medidas de seguridad y aumentar los riesgos para el operador. Cualquier modificación a la herramienta realizada por el cliente será bajo su completa responsabilidad y anulará cualquier garantía aplicable.
- No deseche las instrucciones de seguridad; proporciónelas al operador.
- No use la herramienta si se ha dañado.
- Antes de usar, verifique la desalineación o atascamiento de las partes móviles, la ruptura de partes y cualquier otra condición que afecte la operación de la herramienta. Si está dañada, pida que reparen la herramienta antes de usarla. Retire cualquier llave de ajuste o llave inglesa antes de usar.
- Las herramientas se deberán revisar periódicamente para verificar que las clasificaciones y marcas requeridas por esta parte de ISO 11148 estén marcadas de manera legible en la herramienta. El empleador/usuario deberá ponerse en contacto con el fabricante para obtener etiquetas de marcado de reemplazo cuando sea necesario.
- La herramienta debe mantenerse en condiciones de trabajo seguras en todo momento y debe ser revisada en intervalos regulares respecto a daños y funcionamiento por parte de personal capacitado. Cualquier procedimiento de desmantelamiento será realizado sólo por personal capacitado. No desmonte esta herramienta sin referencia previa a las instrucciones de mantenimiento.

1.2 PELIGROS DE PROYECTILES

- Desconecte la herramienta del suministro de aire antes de realizar cualquier mantenimiento, intentar ajustar, adaptar o retirar un ensamble de punta o accesorios.
- Tenga en cuenta que la falla de la pieza de trabajo o accesorios, o incluso de la herramienta insertada en sí, puede generar proyectiles de alta velocidad.
- Use siempre protección ocular resistente a impactos durante el funcionamiento de la herramienta. El grado de protección requerido debe evaluarse para cada uso.
- Los riesgos para otras personas también deben evaluarse en este momento.
- Asegúrese que la pieza de trabajo esté fija de forma segura.
- Verifique que los medios de protección contra la expulsión del sujetador y/o el mandril estén en su lugar y estén operativos.

- Advierta contra la posible expulsión forzada de mandriles desde el frente de la herramienta.
- NO opere una herramienta que esté dirigida hacia ninguna persona(s).

1.3 PELIGROS DE OPERACIÓN

- El uso de la herramienta puede exponer las manos del operador a riesgos, incluyendo aplastamiento, impacto, cortes, abrasiones y calor. Use guantes adecuados para protegerse las manos.
- Los operadores y el personal de mantenimiento deberán ser físicamente capaces de manejar el volumen, el peso y la potencia de la herramienta.
- Sostenga la herramienta correctamente; esté preparado para contrarrestar los movimientos normales o repentinos y tenga ambas manos disponibles.
- Mantenga las manijas de la herramienta secas, limpias y libres de aceite y grasa.
- Mantenga una posición equilibrada del cuerpo y una posición segura cuando opere la herramienta.
- Suelte el dispositivo de arranque y paro en caso de una interrupción del suministro hidráulico.
- Use sólo lubricantes recomendados por el fabricante.
- Debe evitarse el contacto con el fluido hidráulico. Para minimizar la posibilidad de irritación cutánea, se debe tener cuidado de lavar minuciosamente si se produce el contacto.
- Las hojas de datos de seguridad de materiales para todos los aceites y lubricantes hidráulicos están disponibles por solicitud en su proveedor de herramientas.
- Evite posturas inadecuadas ya que es probable que estas posiciones no permitan contrarrestar el movimiento normal o inesperado de la herramienta.
- Si la herramienta se fija a un dispositivo de suspensión, asegúrese que la fijación sea segura.
- Tenga cuidado con el riesgo de aplastamiento o pellizcarse si el equipo de punta no está instalado.
- NO opere la herramienta con la carcasa de la punta retirada.
- Se requiere un espacio libre adecuado para las manos del operador de la herramienta antes de continuar.
- Cuando transporte la herramienta de un lugar a otro, mantenga las manos alejadas del gatillo para evitar la activación accidental.
- NO abuse de la herramienta dejándola caer o utilizándola como martillo.
- Se debe tener cuidado para garantizar que los mandriles gastados no creen un peligro.

1.4 RIESGOS DE MOVIMIENTOS REPETITIVOS

- Al usar la herramienta, el operador puede experimentar molestias en las manos, brazos, hombros, cuello u otras partes del cuerpo.
- Mientras usa la herramienta, el operador debe adoptar una postura cómoda mientras mantiene una posición segura y evita posturas incómodas o desequilibradas. El operador debe cambiar la postura durante las tareas extendidas; esto puede ayudar a evitar molestias y fatiga.
- Si el operador experimenta síntomas como molestias persistentes o recurrentes, dolor, latidos, dolor, hormigueo, entumecimiento, sensación de ardor o rigidez, estas señales de advertencia no deben ignorarse. El operador debe informar al empleador y consultar a un profesional de la salud calificado.

1.5 RIESGOS DE ACCESORIOS

- Desconecte la herramienta del suministro de aire antes de instalar o retirar el ensamble de punta o accesorio.
- Utilice sólo tamaños y tipos de accesorios y consumibles recomendados por el fabricante de la herramienta; no use otros tipos o tamaños de accesorios o consumibles.

1.6 RIESGOS DEL LUGAR DE TRABAJO

- Los resbalones, tropiezos y caídas son las principales causas de lesiones en el lugar de trabajo. Tenga en cuenta las superficies resbaladizas causadas por el uso de la herramienta y también los riesgos de tropiezos causados por la línea de aire o la manguera hidráulica.
- Proceda con cuidado en un entorno desconocido. Puede haber riesgos ocultos, como electricidad u otras líneas de servicios públicos.
- La herramienta no está diseñada para usarse en atmósferas potencialmente explosivas y no está aislada contra el contacto con la energía eléctrica.
- Asegúrese que no haya cables eléctricos, tuberías de gas, etc., que puedan causar un peligro si se dañan con el uso de la herramienta.
- Vístase apropiadamente. No use ropa suelta o joyería. Mantenga su cabello, ropa y guantes lejos de las partes móviles. La ropa suelta, joyería o el cabello largo pueden quedar atrapados en las partes móviles.
- Se debe tener cuidado para garantizar que los mandriles gastados no creen un peligro.

1.7 RIESGOS DE RUIDO

- La exposición a altos niveles de ruido puede causar pérdida auditiva permanente e incapacitante y otros problemas, como tinnitus (ruido de timbre, zumbidos, silbidos o resonación en los oídos). Por lo tanto, la evaluación de riesgos y la implementación de controles apropiados para estos peligros son esenciales.

- Los controles apropiados para reducir el riesgo pueden incluir acciones tales como materiales de amortiguamiento para evitar que las piezas de trabajo "resuenen".
- Use protección auditiva de acuerdo con las instrucciones del empleador y según lo exijan las normas de seguridad y salud ocupacional.
- Opere y mantenga la herramienta como se recomienda en el manual de instrucciones, para evitar un aumento innecesario en el nivel de ruido.

1.8 RIESGOS DE VIBRACIÓN

- La exposición a la vibración puede causar daños incapacitantes en los nervios y el suministro de sangre de las manos y los brazos.
- Use ropa abrigada cuando trabaje en condiciones frías y mantenga sus manos calientes y secas.
- Si experimenta entumecimiento, hormigueo, dolor o blanqueamiento de la piel en sus dedos o manos, deje de usar la herramienta, informe a su empleador y consulte a un médico.
- Siempre que sea posible, soporte el peso de la herramienta en un soporte, tensor o equilibrador, ya que se puede utilizar un agarre más ligero para sostener la herramienta.

1.9 INSTRUCCIONES ADICIONALES DE SEGURIDAD PARA HERRAMIENTAS ELÉCTRICAS NEUMÁTICAS E HIDRÁULICAS

- El aire de suministro de operación no debe exceder los 7 bar (100 PSI).
- El aire bajo presión puede causar lesiones graves.
- Nunca deje la herramienta de operación desatendida. Desconecte la manguera de aire cuando la herramienta no esté en uso, antes de cambiar los accesorios o al realizar reparaciones.
- NO deje la abertura de escape de aire en la cara del recolector de mandril en la dirección del operador u otras personas. Nunca dirija el aire hacia usted u otras personas.
- Las mangueras que se agitan puede causar lesiones graves. Siempre verifique si hay mangueras y accesorios dañados o sueltos.
- Antes de usar, revise las mangueras de aire respecto a daños, todas las conexiones deben estar seguras. No deje caer objetos pesados sobre las mangueras. Un impacto fuerte puede causar daños internos y provocar fallas prematuras en la manguera.]
- El aire frío se debe dirigir lejos de las manos.
- Siempre que se utilicen acoplamientos de torsión universales (acoplamientos de garras), se instalarán pasadores de seguridad y se utilizarán cables de seguridad de protección contra latigazos para proteger contra posibles fallas de conexión de manguera a herramienta o de manguera a manguera.
- NO levante la herramienta de colocación por la manguera. Siempre utilice la manija de la herramienta de colocación.
- No se deben bloquear o cubrir los orificios de ventilación.
- Mantenga la suciedad y materia extraña fuera del sistema hidráulico de la herramienta, ya que esto hará que la herramienta no funcione correctamente.
- El aceite bajo presión puede causar lesiones graves.
- Antes de usar, revise las mangueras hidráulicas respecto a daño. Todas las conexiones hidráulicas deben estar limpias, completamente conectadas y herméticas antes de la operación. No deje caer objetos pesados sobre las mangueras. Un impacto fuerte puede causar daños internos y provocar fallas prematuras en la manguera.
- NO jale ni mueva la unidad del intensificador con las mangueras. Siempre use la manija de la unidad.
- Sólo use aceite y equipo de llenado limpios.
- Sólo se pueden usar fluidos hidráulicos recomendados.
- La temperatura máxima del fluido hidráulico en la entrada es de 100°C (212°F).

⚠ ADVERTENCIA: Si bien se producirá una pequeña cantidad de desgaste y marcado de forma natural a través del uso normal y correcto de los mandriles, deben examinarse regularmente para detectar desgaste y marcado excesivos, con especial atención al diámetro de la cabeza, el área de sujeción de la mordaza trasera del vástago o picaduras pesadas del vástago y cualquier distorsión del mandril. Los mandriles que fallan durante el uso podrían salir de forma forzada de la herramienta. Es responsabilidad del cliente asegurarse que los mandriles se reemplacen antes de cualquier nivel de desgaste excesivo y siempre antes del número máximo recomendado de colocaciones. Póngase en contacto con su representante de STANLEY Engineered Fastening que le informará cuál es esa cifra midiendo la carga de broca de su aplicación con nuestra herramienta de medición calibrada.

La política de STANLEY Engineered Fastening es la mejora y desarrollo continuo del producto y nos reservamos el derecho de cambiar las especificaciones de cualquier producto sin previo aviso.

2. ESPECIFICACIONES

2.1 ESPECIFICACIÓN PARA HERRAMIENTA 0753 TIPO MK II

Presión de aire	Mínima - Máxima	5-7 bar (70-100 lbf/pulg ²)
Volumen de aire libre requerido	@ 5.1 bar /75 lbf/pulg ²	2.6 litros (0.09 pies ³)
Carrera	Mínimo	30.0 mm (1.18 pulg.)
Fuerza de tracción	@ 5.5 bar /80 lbf/pulg ²	3.89 kN (875 lbf)
Tiempo de ciclo	Aproximadamente	1 segundo
Peso	Pistola	1.2 kg (2.64 lbs)

2.2 ESPECIFICACIÓN PARA INTENSIFICADOR 07531

Presión de aire	Mínima - Máxima	5-7 bar (70-100 lbf/pulg ²)
Relación de intensificación		32:1

Valores de ruido determinados de acuerdo con el código de prueba de ruido ISO 15744 e ISO 3744.		0753
Nivel de potencia de sonido ponderado A dB(A), L_{WA}	Ruido de incertidumbre: $k_{WA} = 2.3$ dB(A)	85.7 dB(A)
Nivel de presión de sonido de emisión ponderado A en la estación de trabajo dB(A), L_{pA}	Ruido de incertidumbre: $k_{pA} = 2.3$ dB(A)	74.8 dB(A)
Nivel de presión de sonido de emisión pico ponderado C dB(C), L_{pC} pico	Ruido de incertidumbre: $k_{pC} = 2.5$ dB(C)	97.9 dB(C)
Valores de vibración determinados de acuerdo con el código de prueba de vibración ISO 20643 e ISO 5349.		0753
Nivel de emisión de vibración, a_{hd} :	Vibración de incertidumbre: $k = 0.19$ m/s ²	0.73 m/s ²
Valores de emisión de vibración declarados de acuerdo con EN 12096		

3. INTENCIÓN DE USO

La herramienta neumática 0753 tipo MkII está diseñada para colocar sujetadores rápidos Stanley Engineered Fastening (excepto Avlug® de 1/16") haciéndola ideal para ensamble en línea de flujo de lotes en una amplia variedad de aplicaciones en todas las industrias.

La herramienta manual y el intensificador se han probado como elementos separados y combinados. Sólo deben usarse juntos y para ningún otro propósito. Consulte "Puesta en servicio" en la página 78 para obtener detalles sobre la conexión.

Ambos modelos, el 07530 MkII y el 07532 MkII, son herramientas portátiles ligeras. Su única diferencia radica en la ubicación de la entrada de la manguera.

La entrada superior de la herramienta 07532 MkII permite la suspensión desde una placa de montaje adicional, vea el dibujo al lado. Los números de parte se muestran para pedir una herramienta completa que incluye el intensificador y todas las mangueras, pero no el equipo de punta.

El número de pistola para el modelo 07530 MkII es 07530-02200 y 07532-02200 para el modelo 07532 MkII. Vea los ensamblajes generales en las páginas 88-92.

Ambos modelos colocarán los mismos sujetadores y ambos colocarán la mayoría de los sujetadores de repetición, como se muestra en la tabla a continuación.

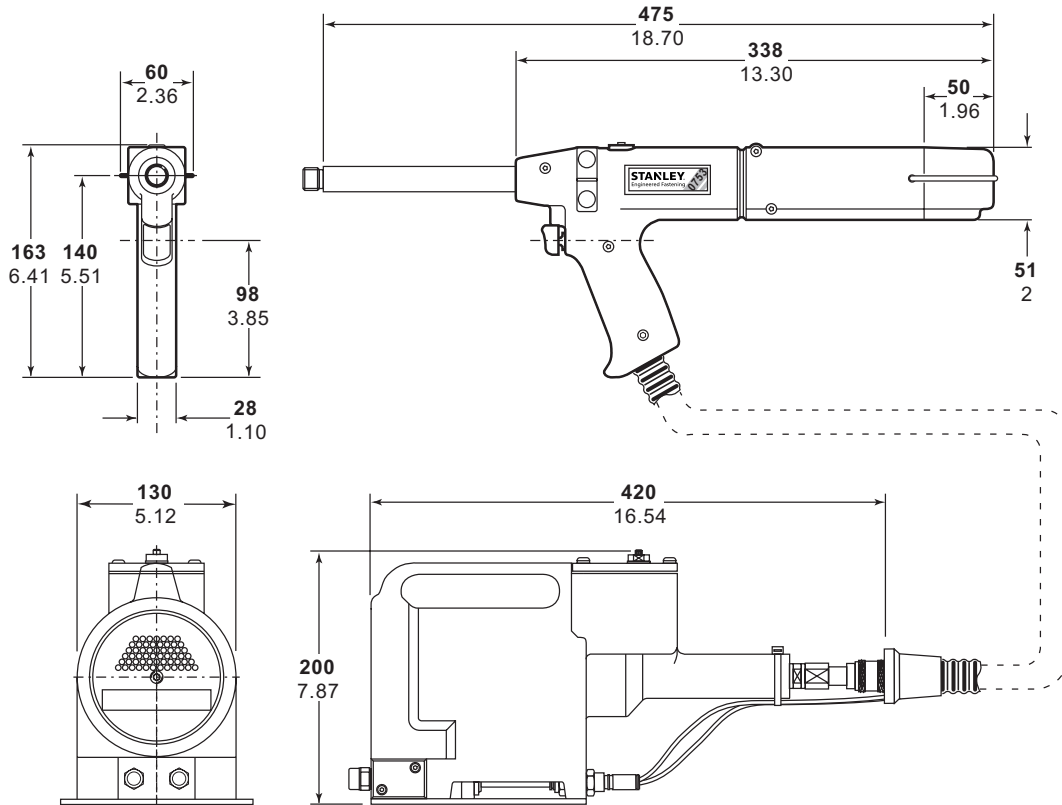
Ambos modelos utilizan el mismo equipo de punta. Se debe tomar como referencia el Manual de accesorios (07900-09508) al seleccionar componentes compatibles para el tipo y tamaño de sujetador usado en su aplicación.

NO lo use en condiciones húmedas o en presencia de líquidos o gases inflamables.

NOMBRE DE SUJETADOR	TAMAÑO DE SUJETADOR											
	3/32"	1/8"	5/32"	3/16"	1/4"	2.5 mm 2.8 mm	3 mm	3.5 mm	4 mm	6 mm	M2.5 4-40 UNC	M3 6-32 UNC
CHOBERT®	●	●	●	●	●							
GROVIT®	●	●	●	●								
AVLUG®	●	●										
BRIV®	●	●	●	●						●		
RIVSCREW®						●	●	●	●			
AVTRONIC®						●						
AVSERT®											●	●
NEOSPEED(R)		●	●	●								

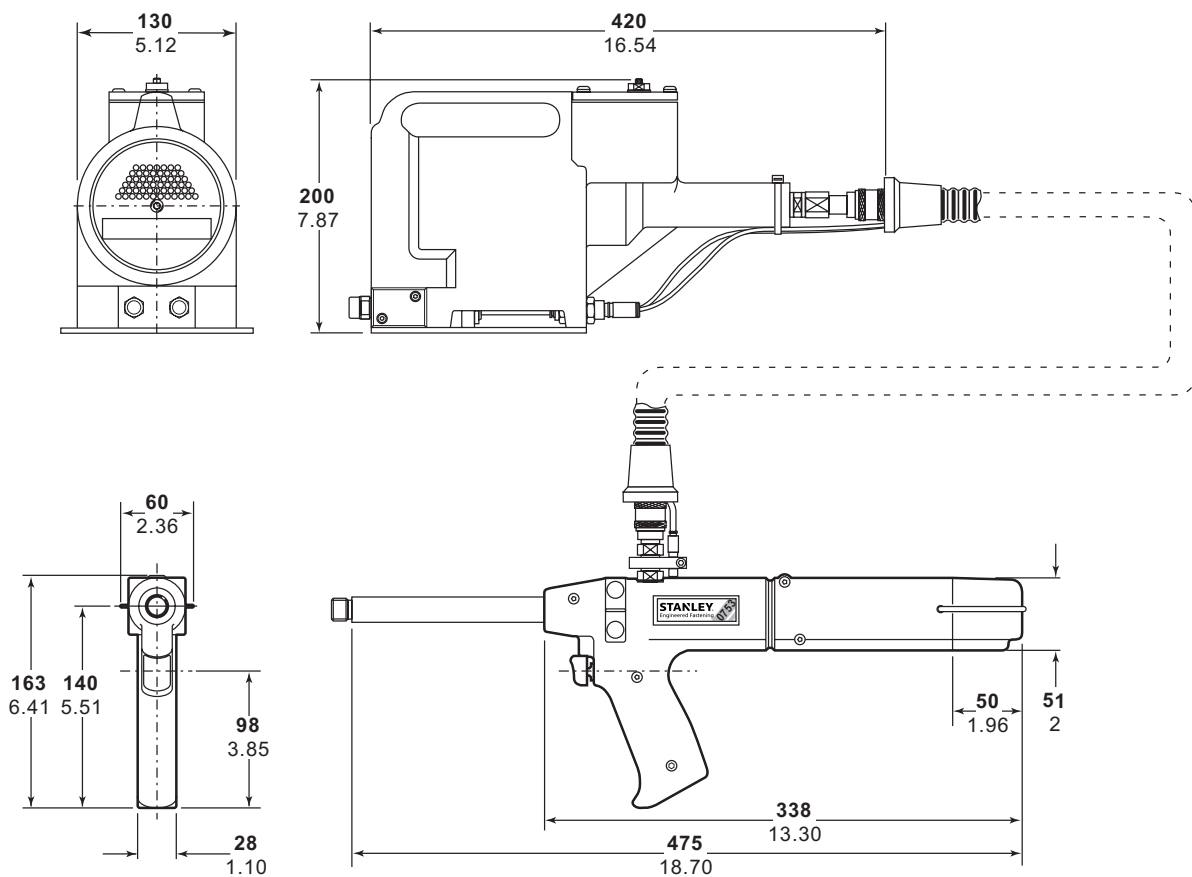
3.1 DIMENSIONES DE HERRAMIENTA - MODELO 07530 MKII

Número de parte 07530-02100



3.2 DIMENSIONES DE HERRAMIENTA - MODELO 07532 MKII

Número de parte 07532-02100



Las dimensiones que se muestran en **negrita** son milímetros. Otras dimensiones están en pulgadas.

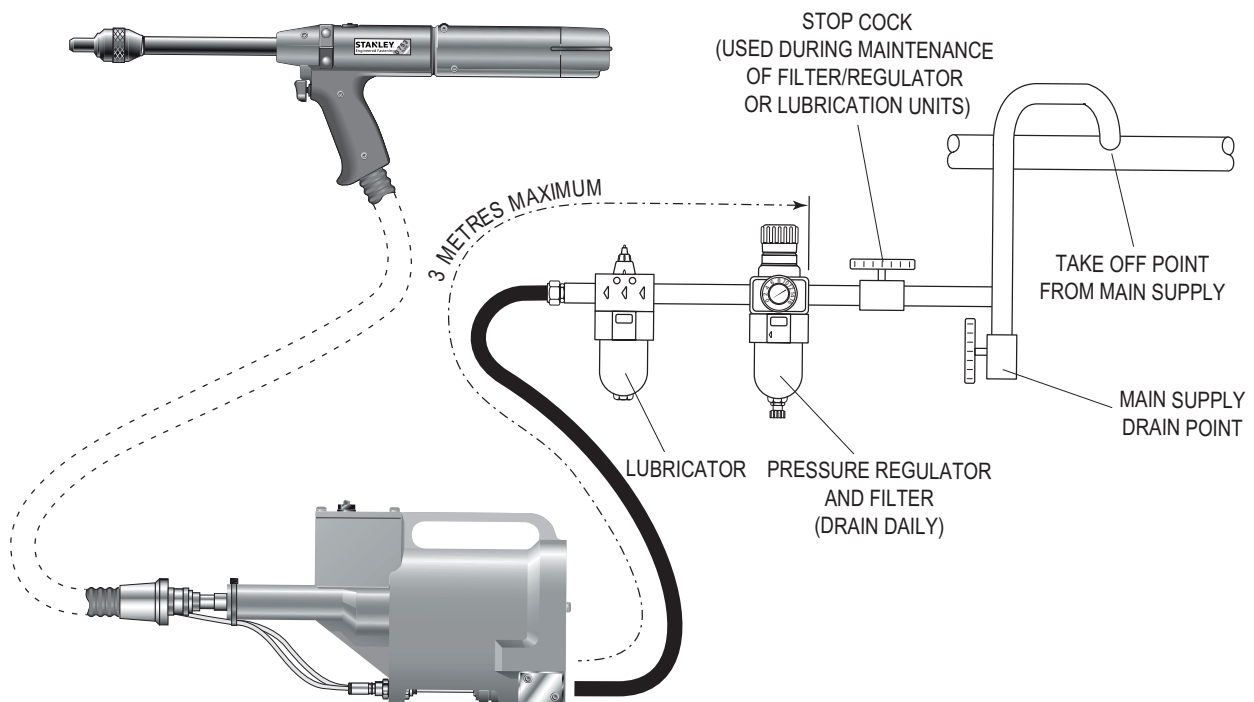
4. PUESTA EN SERVICIO

4.1 SUMINISTRO DE AIRE

Todas las herramientas se operan con aire comprimido en una presión óptima de 5.5 bar. Recomendamos el uso de reguladores de presión y sistemas de aceitado/filtrado automáticos en el suministro de aire principal. Para garantizar la máxima vida útil y el mínimo mantenimiento de la herramienta, deben instalarse a menos de 3 metros de la herramienta (consulte el diagrama a continuación).

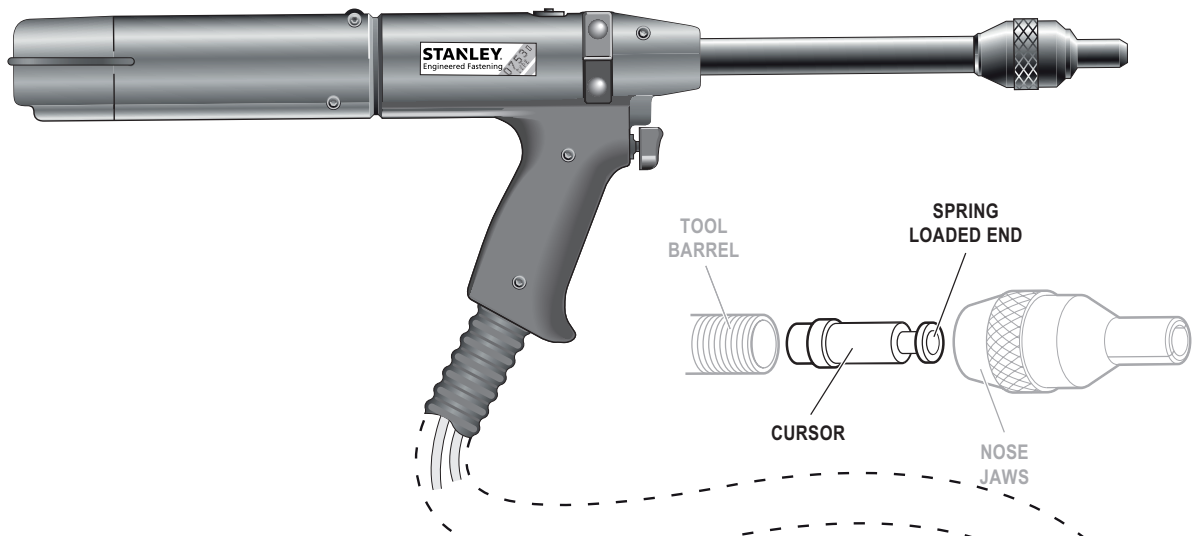
Las mangueras de suministro de aire tendrían una presión efectiva de operación mínima de 150% de la presión máxima producida en el sistema o 10 bar, la que resulte mayor. Las mangueras de aire deben ser resistentes a aceite, tener un exterior resistente a la abrasión y estar blindadas donde las condiciones de operación puedan resultar en que se dañen las mangueras. Todas las mangueras de suministro de aire DEBEN tener un diámetro de orificio mínimo de 6.4 milímetros o 1/4 de pulgada.

Lea los detalles de servicio diario en la página 82.



Siga los pasos a continuación cuando conecte la herramienta al intensificador y al suministro de aire principal:

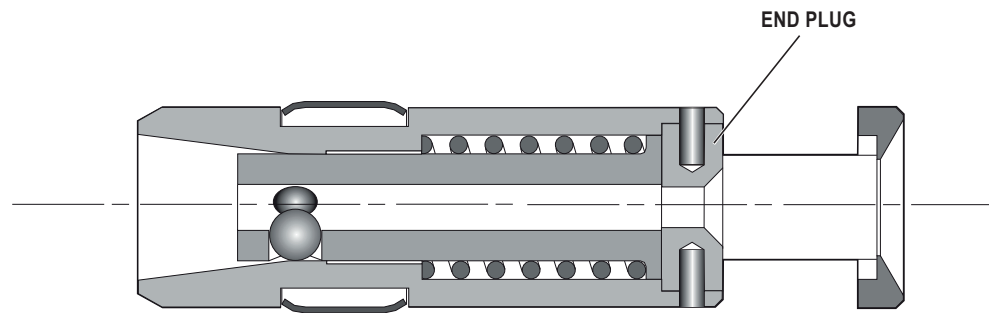
- Empuje el extremo de la manguera hidráulica grande de la herramienta en el conector de liberación rápida en el extremo del intensificador.
- En la cara frontal del intensificador:
 - Empuje la línea neumática azul (4 mm OD) en el accesorio reductor que se encuentra en el conector de la mampara izquierda.
 - Empuje la línea neumática negra (4 mm OD) en el collar de plástico del conector de la mampara derecha.
- Coloque una manguera neumática entre el conector macho en la parte trasera del intensificador y el suministro de aire principal.



Como referencia, hay tres tipos de cursor mecánico diferentes:

- 07271-01100 Usado para mandriles estándar y mandriles desechables de 5/32"
- 07279-05843 Usado para mandriles desechables de 1/8"
- 07279-05845 Usado para mandriles desechables de 3/16"

La diferencia en los ensambles anteriores es el diámetro interno del Tapón de extremo.



Estos están codificados por colores, ver a continuación:

NO. DE PARTE DE CURSOR MECÁNICO	NO. DE PARTE DE TAPÓN DE EXTREMO	COLOR	DIÁMETRO DE ORIFICIO (mm)
07271-01100	07150-00402	ACERO SENCILLO	2.7
07279-05843	07159-05844	ORO	2.2
07279-05845	07159-05846	PLATA	3.3

4.2 CURSOR

IMPORTANTE

Si se ajusta incorrectamente, el cursor no permitirá alimentar los sujetadores.

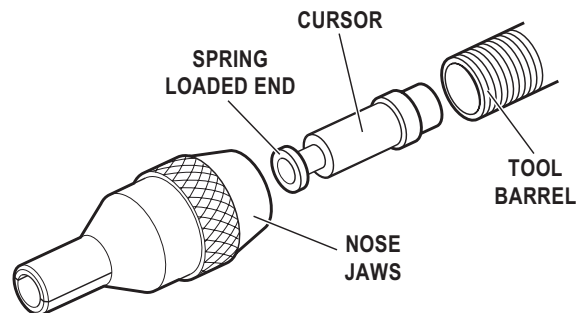
Si bien el cursor estará colocado de la forma correcta cuando se suministre la herramienta, le recomendamos que verifique su orientación antes de colocar el equipo de punta. El extremo del cursor cargado por resorte, ligeramente cóncavo, debe apuntar hacia el frente de la herramienta como se muestra en la ilustración.

Cuando se ajusta de la manera correcta, el cursor se deslizará fácilmente fuera del barril cuando se empuja un mandril hacia su centro y luego se jala hacia atrás.

Para invertir la orientación del cursor, siga estos pasos:

Los números de artículo en **negritas** se refieren al dibujo de ensamble general y la lista de partes para 07530-02200 tipo MkII en las páginas 88-90. Para el tipo 07532-02200 MkII, el procedimiento es el mismo, pero los números de parte deben tomarse del ensamble general y la lista de partes en las páginas 91-92.

- Retire el sujetador **47** y deslice la tapa de extremo **38**.
- Con una llave Allen, retire un tornillo de cabeza prisionera **44** asegurándose que salga el aire atrapado. Retire el segundo tornillo de cabeza prisionera **44**.
- Extraiga el tapón trasero **46**.
- Extraiga el ensamble del pistón de la mordaza trasera **14** junto con las mordazas **9**.
- Levante el resorte **13** y el alojamiento de mordaza **8**.
- Inserte un mandril en el orificio en el extremo trasero del barril **25** hasta que sobresalga a través del frente del barril, después extraiga el mandril y el cursor juntos a través del frente.
- Vuelva a ensamblar los componentes en orden inverso.
- Inserte el ensamble de cursor mecánico **5** en el frente del barril, de la forma correcta.



4.3 CARGA Y RECARGA DE LA HERRAMIENTA

IMPORTANTE

El procedimiento para carga de la herramienta y para instalar el equipo de punta a la herramienta es integral.

Cuando ordene una herramienta o sistema completos, normalmente se le suministrará todo el equipo de punta requerido para el sujetador que se colocará.

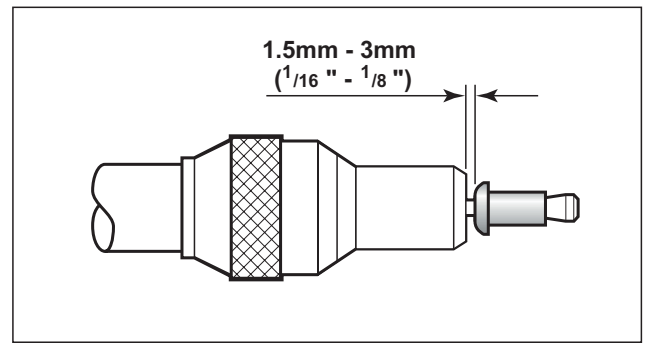
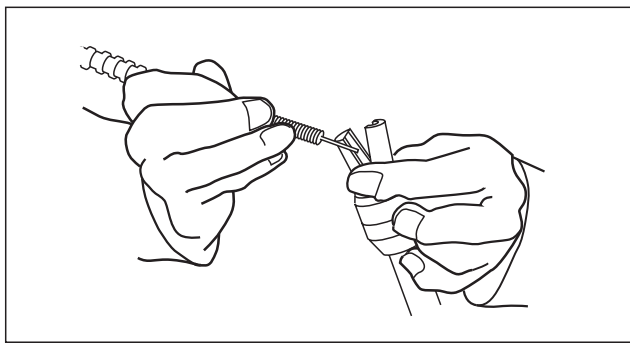
Para identificar los componentes de equipo de punta o para seleccionar los elementos correctos, lea la sección de equipo de punta, en el manual de accesorios (07900-09508).

Si se le suministraron la mordaza de punta, mandriles y resortes de seguidor de mandril continúe con la carga de la herramienta y colocación del equipo de punta como se muestra en el anverso.

Los números de artículo en **negritas** se refieren al dibujo de ensamble general y la lista de partes para 07530-02200 tipo MkII en las páginas 88-90. Para el tipo 07532-02200 tipo MkII, el procedimiento es el mismo, pero los números de parte deben tomarse del ensamble general y la lista de partes en las páginas 91-92.

Carga de la herramienta

- Conecte el suministro de aire a la herramienta.
- Abra las mordazas traseras **9** que sujetan el mandril, apagando el interruptor de la mordaza trasera (artículos **26** y **30**).
- Atornille las mordazas de punta seleccionadas en el barril **25** de la herramienta.
- Inserte un mandril en el extremo posterior de los sujetadores a través de la vaina de papel.
- Deslice el resorte del seguidor del mandril sobre el mandril asegurando la orientación correcta, como se muestra en el manual de accesorios (número de parte 07900-09508).
- Sujetando el extremo trasero del mandril, retire la vaina de papel de alrededor de los sujetadores.
- Abra las mordazas de punta ya sea girando el anillo exterior en las mordazas accionadas por leva o empujando hacia afuera los extremos de la mordaza, como se ilustra a continuación a la izquierda.
- Inserte el mandril previamente ensamblado, el resorte seguidor del mandril y los sujetadores en las mordazas de punta hasta que el primer sujetador a colocase sobresalga de la mordaza de punta.
- Cierre las mordazas de punta y ajuste de forma que el primer sujetador sobresalga 1.5mm - 3mm ($1/16''$ - $1/8''$), como se muestra en la siguiente ilustración a la derecha.
- Cierre las mordazas traseras para asegurarse que el mandril esté sujeto, encendiendo el interruptor de la mordaza trasera (artículos **26** y **30**).



Recarga de la herramienta

- Abra las mordazas traseras **9** de la herramienta.
- Abra las mordazas de punta y extraiga el mandril vacío y el resorte seguidor de mandril de la herramienta.
- Recargue la herramienta siguiendo las instrucciones anteriores, comenzando en la etapa.

4.4 PROCEDIMIENTO DE OPERACIÓN

IMPORTANTE
Debe verificar que la orientación del cursor y el equipo de punta sea correcta antes de intentar operar la herramienta.

- Empuje el sujetador, que sobresale de las mordazas de punta, completamente en los orificios de aplicación asegurando que la herramienta se mantenga nivelada.
- Opere el gatillo sin liberar - la cabeza de mandril sale a través del sujetador, dando forma al sujetador en la aplicación.
- Retire la herramienta.
- Libere el gatillo. El siguiente sujetador se presentará automáticamente a través de las mordazas de punta, listo para la colocación.

4.5 EQUIPO DE COLOCACIÓN

Todo el equipo de punta, mandriles, resortes seguidores y otros accesorios se pueden encontrar en el manual de accesorios (número de parte 07900-09508).

Los números de artículo en **negritas** se refieren al dibujo de ensamble general y la lista de partes para 07530-02200 tipo MkII en las páginas 88-90. Para el tipo 07532-02200 tipo MkII, el procedimiento es el mismo, pero los números de parte deben tomarse del ensamble general y la lista de partes en las páginas 91-92.

5. SERVICIO DE HERRAMIENTA

Se debe realizar el servicio regular y realizarse una inspección comprehensiva anualmente o cada 500,000 ciclos, lo que suceda primero.

IMPORTANTE

El empleador es responsable de garantizar que las instrucciones de mantenimiento de la herramienta se proporcionen al personal apropiado.

El operador no debe participar en el mantenimiento o reparación de la herramienta a menos que esté debidamente capacitado.

5.1 DIARIAMENTE

- Diariamente, antes del uso o cuando ponga la herramienta en servicio por primera vez. Ponga unas cuantas gotas de aceite lubricante limpio en la entrada de aire del intensificador si no hay un lubricador instalado en el suministro de aire. Si la herramienta está en uso continuo, la manguera de aire se debe desconectar del suministro de aire principal y lubricarse la herramienta cada dos a tres horas.
- Revise respecto a fugas de aire y aceite. Si están dañados, las mangueras y acoplamientos deben reemplazarse.
- Si no hay filtro en el regulador de presión, purgue la línea de aire para liberarla de suciedad acumulada o agua antes de conectar la manguera de aire al intensificador. Si hay un filtro, drénelo.
- Revise que el equipo de punta sea correcto.
- Revise los mandriles regularmente respecto a señales de desgaste o daño monitoreando el número de colocaciones (lea las Instrucciones de seguridad en la página 72-74).

5.2 SEMANALMENTE

- Realice los procedimientos "Diarios" como se describe anteriormente.
- Retire, revise, limpie y engrase las mordazas traseras (consulte "Cilindro de mordaza trasera" en la "sección Mantenimiento" en la página 84).
- Revise que el nivel de aceite en el depósito de la unidad de intensificador esté aproximadamente 12mm (1/2") debajo de la placa de la cubierta transparente.

⚠ PRECAUCIÓN: Nunca utilice solventes u otros productos químicos agresivos para limpiar las partes no metálicas de la herramienta. Estos productos químicos pueden debilitar los materiales utilizados en estas partes

5.3 DATOS DE SEGURIDAD DE GRASA DE LITIO MOLIBDENO EP 3753

La grasa se puede pedir como un artículo sencillo, el número de parte se muestra en la página 83 del juego de servicio.

Primeros auxilios

PIEL:

Como la grasa es completamente resistente al agua, es mejor eliminarla con un limpiador emulsionante aprobado para la piel.

INGESTIÓN:

Asegúrese que el individuo beba 30 ml de leche de magnesia, preferiblemente en una taza de leche.

OJOS:

Irritante pero no dañino. Aplique agua y busque atención médica.

Fuego

PUNTO DE INFLAMABILIDAD: Mayor a 220°C.

No clasificado como inflamable.

Medios de extinción adecuados: CO₂, halón o agua pulverizada si lo aplica un operador experimentado.

Medio ambiente

Deseche para la incineración o eliminación en un sitio aprobado.

Manejo

Use crema de barrera o guantes resistentes al aceite

Almacenamiento

Lejos del calor y agentes oxidantes.

5.4 JUEGO DE SERVICIO

Recomendamos el uso del juego de servicio para todo el servicio (número de parte 07900-05300).

JUEGO DE SERVICIO					
ARTÍCULO PARTE N°	DESCRIPCIÓN	No. OFF	ARTÍCULO PARTE N°	DESCRIPCIÓN	No. OFF
07900-00157	PINZAS DE SUJETADOR CIRCULAR	1	07900-00352	GANCHO DE DESINSTALACIÓN DE SELLO	1
07900-00006	ESPÁTULA	1	07900-00710	LLAVE DE DESINSTALACIÓN DE TAPÓN DE BARRIL	1
07900-00446	EXTRACTOR	1	07900-00725	BALA	1
07900-00603	MORDAZAS DE PRENSA DE BARRIL	1	07900-00243	DESTORNILLADOR	1
07900-00520	3/8" ROD	1	07900-00717	LLAVE DE INTENSIFICADOR	1
07900-00521	1/4" ROD	1	07900-00013	LLAVE ALLEN DE 1/8"	1
07900-00602	BALA DE ENSAMBLE DE ANILLO 'O'	1	07900-00617	PAQUETE DE 50ml DE MULTI-EMPAQUE LOCTITE 574	1
07900-00595	LLAVE DE 18mm	1	07900-00469	LLAVE ALLEN 2.5mm	1
07900-00434	LLAVE DE 32mm	1	07900-00351	LLAVE ALLEN 3mm	1
07900-00237	3/8" x 5/16" B·S·W· LLAVE	1	07900-00224	LLAVE ALLEN 4mm	1
07900-00012	LLAVE 9/16" x 5/8"	1	07900-00225	LLAVE ALLEN 5mm	1
07900-00008	LLAVE 7/16" x 1/2"	1	07992-00020	LATA DE 80g DE GRASA DE LITIO MOLIBDENO EP 3753	1

Nota: Los tamaños de llave se miden 'a través de planos' a menos que se especifique de otra manera.

6. MINTENIMIENTO

Cada 500,000 ciclos la herramienta debe desensamblarse por completo y los componentes nuevos deben usarse cuando se encuentren componentes desgastados, dañados o cuando se recomiende. Todos los anillos O y sellos deben renovarse y lubricarse con grasa de litio molibdeno EP 3753 antes del ensamble.

IMPORTANTE

Las instrucciones de seguridad aparecen en la página 72-74.
El empleador es responsable de garantizar que las instrucciones de mantenimiento de la herramienta se proporcionen al personal apropiado.
El operador no debe participar en el mantenimiento o reparación de la herramienta a menos que esté debidamente capacitado.

La línea de aire se debe desconectar antes de intentar cualquier servicio o desmantelamiento, a menos que se indique específicamente de otra manera.

Se recomienda que cualquier operación de desmantelamiento se realice en condiciones limpias.

El desmantelamiento del 07530 MkII y 07532 MkII se cubre por separado. Para el 07530 MkII, consulte los procedimientos de desmontaje a continuación y para el 07532 MkII, consulte las páginas 84-86. Los números de artículo en negrita se refieren a ensambles generales y listas de partes para el modelo respectivo en las páginas 88-92.

Antes de desmantelar la herramienta, deberá quitar el equipo de punta.

Para el mantenimiento total de la herramienta, le recomendamos que proceda con el desmontaje de los subensambles en el orden que se muestra a continuación después de haber desconectado la manguera hidráulica de la unidad de intensificador y la línea de aire del gatillo de la válvula de intensificador, separando así la unidad de pistola de la unidad de intensificador.

Las sustancias potencialmente peligrosas que podrían haberse depositado en la máquina como resultado de los procesos de trabajo deben eliminarse antes del mantenimiento.

6.1 DESMANTELAMIENTO DE 07530-02200 MKII

Para desmontar el 07532-02200 MkII consulte las páginas 86-88.

CILINDRO DE MORDAZA TRASERA

- Gire manualmente el sujetador **47** hacia arriba y retire la tapa de extremo **38**.
- Con una llave Allen*, retire un tornillo prisionero **44** asegurándose que escape el aire atrapado en el cilindro de la mordaza trasera. Retire el segundo tornillo prisionero **44**.
- Extraiga el tapón trasero **46**.
- Extraiga el aire de los componentes de la mordaza trasera, que incluyen el ensamble del pistón de la mordaza trasera **14**, el resorte **13**, las mordazas **9** y el alojamiento de la mordaza **8**.
- Retire el tapón de la parte trasera del ensamble del pistón con una llave Allen* y una barra a través de la ranura grande de la torreta.
- Limpie la torreta con un taladro de 4.7mm (³/₁₆") y reemplace el tapón con un compuesto de sellado que no endurezca, por ej., Multi-junta Loctite 574*.
- Retire el anillo 'O' del sello del pistón **10**.
- Con una llave Allen*, retire las cinco molduras de la manija que sujetan los tornillos **34**, **39** y las tuercas **33** de la manija de la herramienta.
- Sujete el barril **25** en un tornillo de banco con mordazas blandas para evitar daños.
- Con una llave de tubo*, desatornille el tapón cilíndrico **7**, evitando que el cilindro **25** gire con una llave de boca*.
- Desconecte el tubo de concertina de la mordaza trasera neumática **12** del bloque de interruptores **28** y extraiga el cilindro **6** de la mordaza trasera de la herramienta.
- Retire el anillo 'O' **4**, la franja de roce **15** y el resorte de retorno del cilindro **16**.

* Se refiere a los elementos incluidos en el juego de servicio 0753 MkII. Para obtener una lista completa, consulte la página 83. Los números de artículo en **negritas** se refieren al ensamble general y lista de partes en las páginas 91-92.

- La longitud libre del resorte **13** debe ser de 38.1mm (1.5"). Reemplace si es necesario.
- Cubra las mandíbulas traseras con grasa de litio molibdeno antes de ensamblar.
- Ensamble en orden inverso del desmontaje.

PISTON HIDRAULICO

- Retire el cilindro **6** de la mordaza trasera como se describió anteriormente.
- Agarre el cuerpo **19** en un tornillo de banco con mordazas blandas para evitar daños, retire el limitador de carrera **17**.
- Sujete el barril **25** en un tornillo de banco de mandíbula blanda, jale el cuerpo **19** del barril **25** (se expulsará una pequeña cantidad de aceite hidráulico del interior del cuerpo).
- Retire el pistón **18** con cuidado para no dañar el orificio del cuerpo.
- Retire el sello **3**.
- El sello **1** es difícil de quitar sin dañar, pero puede permanecer en su lugar durante la limpieza (siempre que no se vea afectado por el proceso de limpieza). Sin embargo, si es necesario renovar el Sello **1**, proceda de la siguiente manera:
- Con una espátula*, retire el Sello **1** del Cuerpo **19**, teniendo cuidado de no dañar la cavidad del cuerpo y los orificios. El Sello **1** extraído DEBE desecharse.
- Para reemplazar el sello **1**, desatornille el ensamble de manguera hidráulica **22** y coloque un ensamble de tapón de purga **2** de repuesto atornillándolo para que la cara interior quede a nivel con el orificio interno.
- Desatornille el tapón de purga existente hasta que la cara interior esté nivelada con el orificio interno. Esto proporcionará un pasaje suave para la inserción del nuevo Sello **1** a través de la parte trasera del cuerpo.
- Asegúrese que el sello esté bien engrasado y en la forma correcta con el extremo abierto del sello hacia las mordazas traseras.
- Complete el ensamble en orden inverso del desmontaje.

ENSAMBLE DE GATILLO

- Para desmontar/ reparar el ensamble, retire las cubiertas de la herramienta como se describió anteriormente.
- Desconecte todas las mangueras del ensamble, teniendo cuidado de no dañarlas. Retire el ensamble.
- Con una llave*, desatornille el Retenedor **49** y retírelo. Tenga cuidado de conservar el resorte **50**.
- Retire el anillo O **53** teniendo cuidado de no dañar los asientos del husillo **54** y del retenedor **49**.
- Limpie y vuelva a ensamblar con un anillo O nuevo **53**.
- Verifique la longitud del resorte **50**, que debe ser de 12.7mm (0.5") de longitud libre; reemplácelo si es necesario.
- Ensamble en orden inverso del desmontaje.

VÁLVULA DE ABERTURA/CIERRE DE MORDAZA TRASERA

- La unidad está diseñada para que se requiera un mantenimiento mínimo durante la vida útil de la herramienta.
- Si es necesario desmontar la válvula, proceda de la siguiente manera:
- Desconecte la manguera de aire del ensamble, teniendo cuidado de no dañarla. Retire el ensamble.
- Con una llave Allen*, afloje el ensamble de sujeción del tornillo **27** al cilindro **25** y retire el ensamble.
- Con un destornillador*, retire con cuidado la arandela de bloqueo de estrella cromada **26** del carrete de mandíbula neumática trasera **29** y deseche la arandela.
- Extraiga el carrete **29** de la mordaza neumática trasera del bloque de interruptores **28**.
- Teniendo cuidado de no dañar el carrete de la mordaza neumática trasera **29**, retire los anillos 'O' **31**.
- Limpie el carrete y vuelva a colocar los anillos 'O' **31** nuevos con la bala de ensamble* e insértelos en el bloque de interruptores **28**, observando su orientación.
- Coloque la nueva arandela de bloqueo de estrella cromada **26** sujetándola en un tornillo de banco con mordazas blandas para evitar daños. NO USE FUERZA INDEBIDA.
- Complete el ensamble en orden inverso del desmontaje.

* Se refiere a los elementos incluidos en el juego de servicio 0753 MkII. Para obtener una lista completa, consulte la página 83. Los números de artículo en **negritas** se refieren al ensamble general y lista de partes en las páginas 91-92.

VÁLVULA DE NO RETORNO DE PRESIÓN DE MORDAZA TRASERA

- La válvula de no retorno **21** está ubicada en la manija de la herramienta.
- Para retirar/reemplazar la válvula de no retorno **21**, presione los accesorios de la mampara y retire el tubo de plástico azul **23** de ambos extremos.
- Al reemplazar la válvula de no retorno **21**, tenga en cuenta la orientación.

MANIJA Y TAPA DE EXTREMO

- Limpie y revise las molduras en busca de grietas u otros daños.

CURSOR

- Limpie y engrase el ensamblaje del cursor mecánico **5** ocasionalmente con un poco de aceite ligero.

IMPORTANTE

**Verifique la herramienta con el servicio diario y semanal.
El cebado SIEMPRE es necesario después de haber desmantelado la herramienta y antes de la operación.**

6.2 DESMANTELAMIENTO DE 07532-02200 MKII

Para desmontar el 07530-02200 MkII consulte las páginas 84-86.

CILINDRO DE MORDAZA TRASERA

- Gire manualmente el sujetador **54** hacia arriba y retire la tapa de extremo **45**.
- Con una llave Allen*, retire un tornillo prisionero **51** asegurándose que escape el aire atrapado en el cilindro de la mordaza trasera. Retire el segundo tornillo prisionero **51**.
- Empuje el tapón trasero **53** hacia adelante contra el resorte **20** y suéltelo rápidamente para permitir que el tapón trasero **53** se caiga.
- Extraiga el aire de los componentes de la mordaza trasera, que incluyen el ensamblaje del pistón de la mordaza trasera **21**, el resorte **20**, las mordazas **16** y el alojamiento de la mordaza **15**.
- Retire el tapón de la parte trasera del ensamblaje del pistón con una llave Allen* y una barra a través de la ranura grande de la torreta.
- Limpie la torreta con un taladro de 4.7mm ($\frac{3}{16}$ ") y reemplace el tapón con un compuesto de sellado que no endurezca, por ej., Multi-junta Loctite 574*.
- Retire el anillo 'O' del sello del pistón **17**.
- Con una llave Allen*, retire las cinco molduras de la manija que sujetan los tornillos **41**, **46** y las tuercas **40** de la manija de la herramienta.
- Sujete el barril **31** en un tornillo de banco con mordazas blandas para evitar daños.
- Con una llave de tubo*, desatornille el tapón cilíndrico **14**, evitando que el cilindro **31** gire con una llave de boca*.
- Desconecte el tubo de concertina de la mordaza trasera neumática **19** del bloque de interruptores **35** y extraiga el cilindro **12** de la mordaza trasera de la herramienta.
- Retire el anillo 'O' **10**, la franja de roce **22** y el resorte de retorno del cilindro **13**.
- La longitud libre del resorte **20** debe ser de 38.1mm (1.5"). Reemplace si es necesario.
- Cubra las mandíbulas traseras con grasa de litio molibdeno antes de ensamblar.
- Ensamble en orden inverso del desmontaje.

PISTON HIDRAULICO

- Retire el cilindro **12** de la mordaza trasera como se describió anteriormente.

* Se refiere a los elementos incluidos en el juego de servicio 0753 MkII. Para obtener una lista completa, consulte la página 83. Los números de artículo en **negritas** se refieren al ensamblaje general y lista de partes en las páginas 91-92.

- Agarre el cuerpo **25** en un tornillo de banco con mordazas blandas para evitar daños, retire el limitador de carrera **23**.
- Sujete el barril **31** en un tornillo de banco de mandíbula blanda, jale el cuerpo **25** del barril **31** (se expulsará una pequeña cantidad de aceite hidráulico del interior del cuerpo).
- Retire el pistón **24** con cuidado para no dañar el orificio del cuerpo.
- Retire el sello **9**.
- El sello **1** es difícil de quitar sin dañar, pero puede permanecer en su lugar durante la limpieza (siempre que no se vea afectado por el proceso de limpieza). Sin embargo, si es necesario renovar el Sello **1**, proceda de la siguiente manera:
- Con una espátula*, retire el Sello **1** del Cuerpo **25**, teniendo cuidado de no dañar la cavidad del cuerpo y los orificios. El Sello **1** extraído DEBE desecharse.
- Para reemplazar el sello **1**, desconecte el ensamble de manguera hidráulica **63** y todas las tuberías de aire asociadas. Desatornille el acoplador de cierre automático **6**, retire la placa de montaje de la suspensión **4**, desatornille la manguera superior del adaptador **2** y coloque un ensamble de tapón de purga **30** de repuesto atornillándolo para llevar la cara interior al nivel del orificio interno.
- Desatornille el tapón de purga existente hasta que la cara interior esté nivelada con el orificio interno. Esto proporcionará un pasaje suave para la inserción del nuevo Sello **1** a través de la parte trasera del cuerpo.
- Asegúrese que el sello esté bien engrasado y en la forma correcta con el extremo abierto del sello hacia las mordazas traseras.
- Complete el ensamble en orden inverso del desmontaje.

ENSAMBLE DE GATILLO

- Para desmontar/reparar el ensamble, retire las cubiertas de la herramienta como se describió anteriormente.
- Desconecte todas las mangueras del ensamble, teniendo cuidado de no dañarlas. Retire el ensamble.
- Con una llave*, desatornille el Retenedor **56** y retírelo. Tenga cuidado de conservar el resorte **57**.
- Retire el anillo O **60** teniendo cuidado de no dañar los asientos del husillo **61** y del retenedor **56**.
- Limpie y vuelva a ensamblar con un anillo O nuevo **60**.
- Verifique la longitud del resorte **57**, que debe ser de 12.7mm (0.5") de longitud libre; reemplácelo si es necesario.
- Ensamble en orden inverso del desmontaje.

VÁLVULA DE ABERTURA/CIERRE DE MORDAZA TRASERA

- La unidad está diseñada para que se requiera un mantenimiento mínimo durante la vida útil de la herramienta.
- Si es necesario desmontar la válvula, proceda de la siguiente manera:
- Desconecte la manguera de aire del ensamble, teniendo cuidado de no dañarla. Retire el ensamble.
- Con una llave Allen*, afloje el ensamble de sujeción del tornillo **34** al cilindro **31** y retire el ensamble.
- Con un destornillador*, retire con cuidado la arandela de bloqueo de estrella cromada **33** del carrete de mandíbula neumática trasera **36** y deseche la arandela.
- Extraiga el carrete **36** de la mordaza neumática trasera del bloque de interruptores **35**.
- Teniendo cuidado de no dañar el carrete de la mordaza neumática trasera **36**, retire los anillos 'O' **38**.
- Limpie el carrete y vuelva a colocar los anillos 'O' **38** nuevos con la bala de ensamble* e insértelos en el bloque de interruptores **35**, observando su orientación.
- Coloque la nueva arandela de bloqueo de estrella cromada **33** sujetándola en un tornillo de banco con mordazas blandas para evitar daños. NO USE FUERZA

INDEBIDA.

- Complete el ensamble en orden inverso del desmontaje.

* Se refiere a los elementos incluidos en el juego de servicio 0753 MkII. Para obtener una lista completa, consulte la página 83. Los números de artículo en **negritas** se refieren al ensamble general y lista de partes en las páginas 91-92.

VÁLVULA DE NO RETORNO DE PRESIÓN DE MORDAZA TRASERA

- La válvula de no retorno **26** está ubicada en la manija de la herramienta.
- Para retirar/reemplazar la válvula de no retorno **26**, presione los accesorios de la mampara y retire el tubo de plástico azul **27** de ambos extremos.
- Al reemplazar la válvula de no retorno **26**, tenga en cuenta la orientación.

MANIJA Y TAPA DE EXTREMO

- Limpie y revise las molduras en busca de grietas u otros daños.

CURSOR

- Limpie y engrase el ensamble del cursor mecánico **11** ocasionalmente con un poco de aceite ligero.

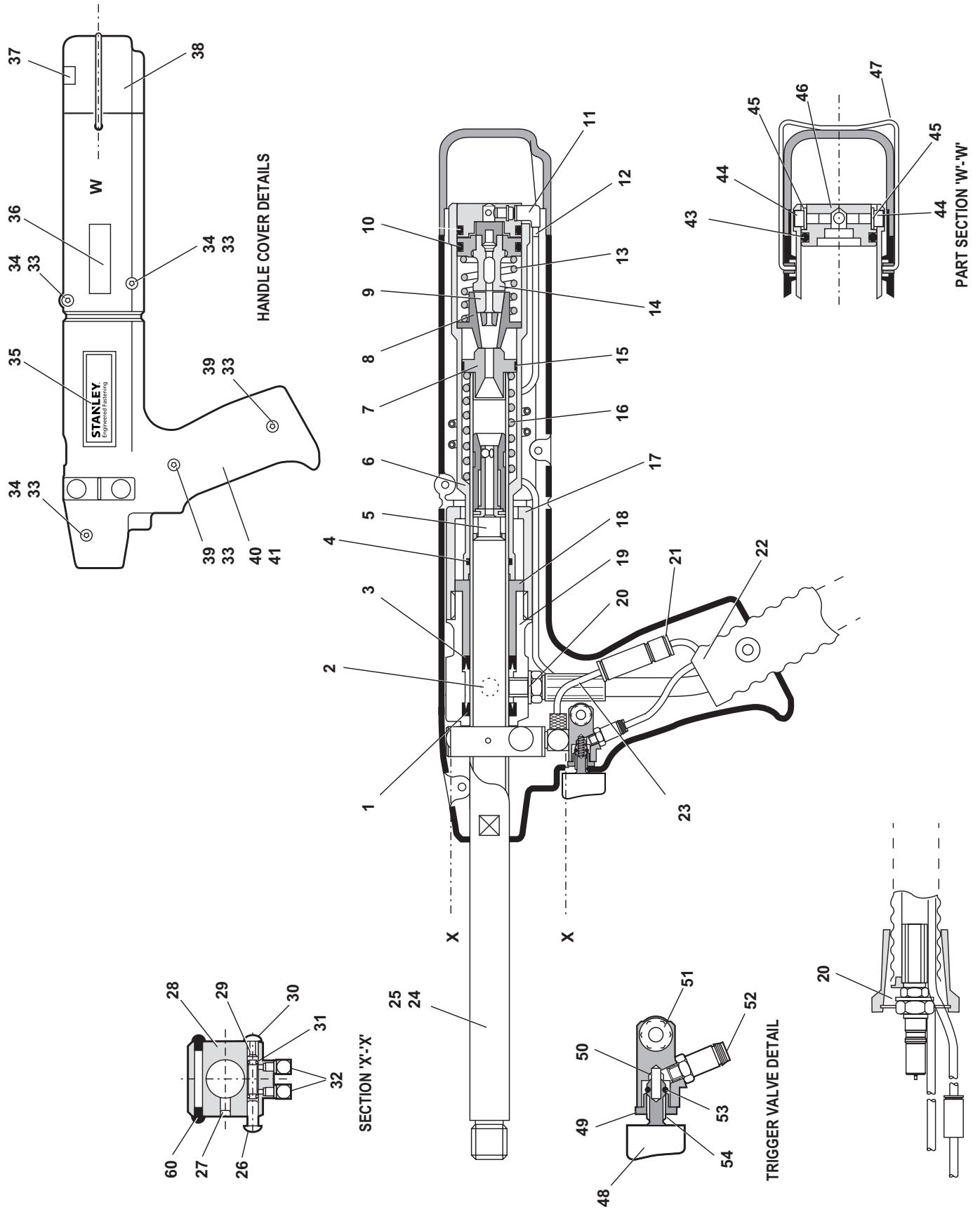
IMPORTANTE

Verifique la herramienta con el servicio diario y semanal.

El cebado SIEMPRE es necesario después de haber desmantelado la herramienta y antes de la operación.

* Se refiere a los elementos incluidos en el juego de servicio 0753 Mkll. Para obtener una lista completa, consulte la página 83. Los números de artículo en **negritas** se refieren al ensamble general y lista de partes en las páginas 91-92.

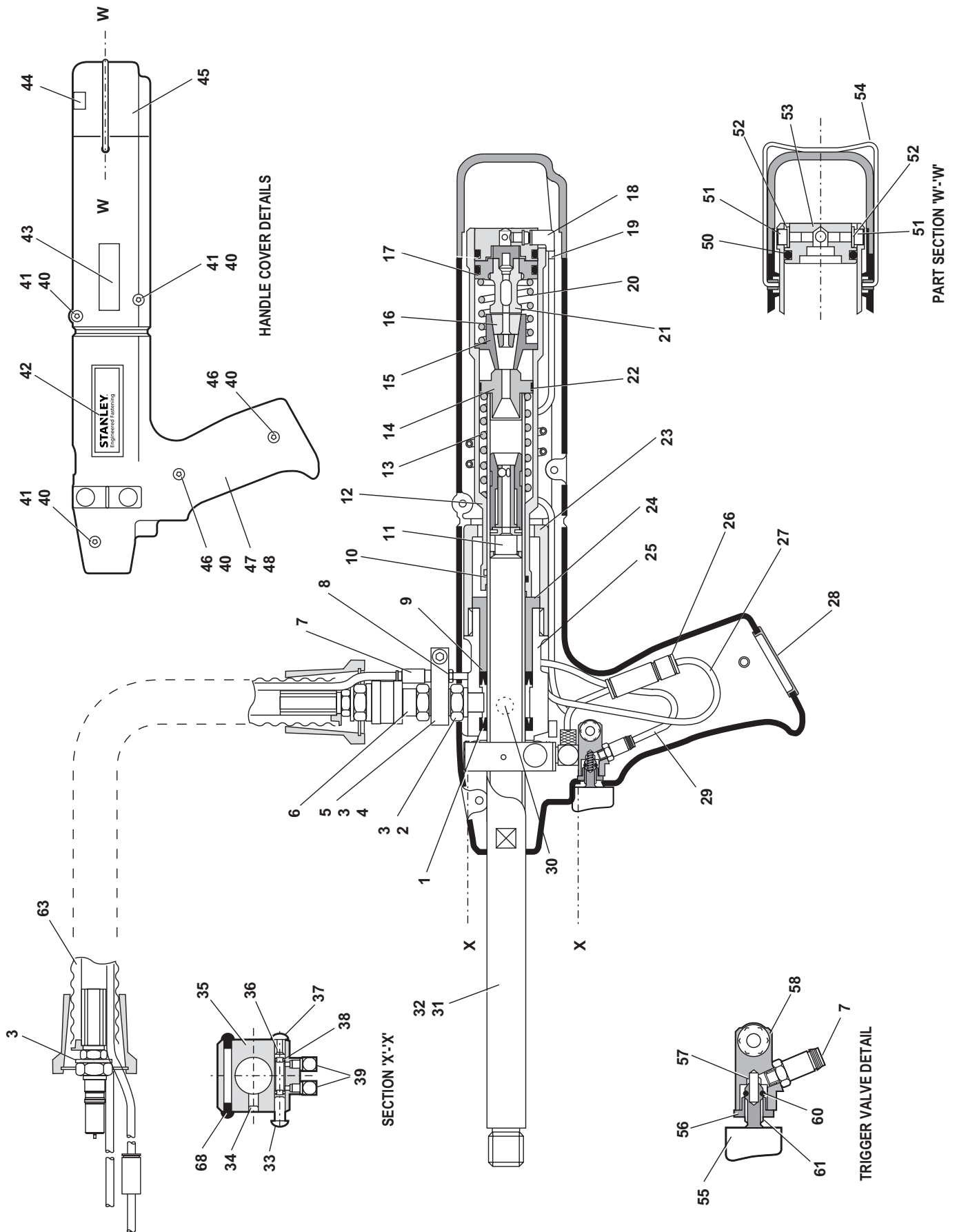
6.3 ENSAMBLE GENERAL DE HERRAMIENTA BASE 07530-02200 MKII



6.4 LISTA DE PARTES PARA HERRAMIENTA BASE 07530-02200 MKII

07530-02200 LISTA DE PARTES							
ELEMENTO	PART NO.	DESCRIPCIÓN	CANT. REPUESTOS	ELEMENTO	PART NO.	DESCRIPCIÓN	CANT. REPUESTOS
1	07003-00237	SELLO (ESTÁTICO)	1	30	07004-00059	ARANDELA STARLOCK 1/8" NEGRA	1
2	07530-00500	ENSAMBLE DE TAPÓN DE PURGA (ARTÍCULOS 56 a 59)	1	31	07003-00121	ANILLO 'O'	2
3	07003-00236	SELLO (DINÁMICO)	1	32	07005-01571	CONECTOR DE CODO	2
4	07003-00167	ANILLO 'O'	1	33	07002-00134	TUERCA HEXAGONAL M4	5
5	07271-01100	ENSAMBLE DE CURSOR MECÁNICO	1	34	07001-00401	TORNILLO PRISIONERO DE CASQUILLO M4 X 10	3
6	07530-02207	CILINDRO DE MORDAZA TRASERA	1	35	07530-02210	ETIQUETA	2
7	07530-02205	TAPÓN DE BARRIL	1	36	07007-01504	ETIQUETA DE MARCA CE	1
8	07530-00208	ALOJAMIENTO DE MORDAZA	1	37	73200-02022	ETIQUETA DE SEGURIDAD	1
9	07151-00403	MORDAZAS	2	38	07530-02603	TAPA DE EXTREMO	1
10	07003-00113	ANILLO 'O'	1	39	07001-00262	TORNILLO PRISIONERO DE CASQUILLO M4 X 22	2
11	07005-01972	NIPLE ROSCADO TIPO L	1	40	07530-02601	MOLDURA DE MANIJA MODIFICADA (DERECHA)	1
12	07530-02211	TUBO DE CONCERTINA DE MORDAZA TRASERA NEUMÁTICA	1	41	07530-02602	MOLDURA DE MANIJA MODIFICADA (IZQUIERDA)	1
13	07154-00404	RESORTE	1	43	07003-00113	ANILLO 'O'	1
14	07530-02800	ENSAMBLE DE PISTÓN DE MORDAZA TRASERA	1	44	07001-00504	TORNILLO PRISIONERO DE CASQUILLO M4 X 6	2
15	07530-00206	FRANJA DE ROCE	1	45	07002-00153	ARANDELA DE PLÁSTICO M4	2
16	07490-03002	RESORTE DE RETORNO DE BARRIL	1	46	07530-02213	TAPÓN TRASERO	1
17	07530-00204	LIMITADOR DE CARRERA	1	47	07530-02220	SUJETADOR	1
18	07530-00203	PISTÓN	1	48	07007-00300	BOTÓN DE GATILLO	1
19	07530-02202	CUERPO	1	49	07220-00803	RETENEDOR	1
20	07003-00142	SELLO ADHERIDO 1/8" BSP	2	50	07125-00215	RESORTE	1
21	07005-01973	VÁLVULA DE NO RETORNO	1	51	07530-02311	ALOJAMIENTO DE GATILLO	1
22	07008-00423	ENSAMBLE DE MANGUERA HIDRÁULICA	1	52	07005-01357	CONECTOR TIPO COLLARÍN	1
23	07005-01083	TUBO DE PLÁSTICO AZUL DE 4mm O/D	60 mm	53	07003-00022	ANILLO 'O'	1
24	07007-00017	TAPA DE POLVO	1	54	07241-00208	HUSILLO	1
25	07530-02201	BARRIL	1	56	07003-00142	● SELLO ADHERIDO	1
26	07004-00058	ARANDELA DE CROMO STARLOCK 1/8"	1	57	07003-00194	● SELLO ADHERIDO	1
27	07001-00404	TORNILLO DE CASQUILLO LARGO M5 X 6	1	58	07001-00442	● TORNILLO	1
28	07530-02301	BLOQUE DE INTERRUPTOR	1	59	07530-00501	● TAPÓN	1
29	07530-02302	CARRETE DE MORDAZA NEUMÁTICA TRASERA	1	60	07530-00310	TAPONES CIEGOS	2

6.5 ENSAMBLE GENERAL DE HERRAMIENTA BASE 07532-02200 MKII



6.6 LISTA DE PARTES PARA HERRAMIENTA BASE 07532-02200 MKII

07532-02200 LISTA DE PARTES										
ELEMENTO	PART NO.	DESCRIPCIÓN	CANT.	REPUESTOS	ELEMENTO	PART NO.	DESCRIPCIÓN	CANT.	REPUESTOS	ELEMENTO
1	07003-00237	SELLO (ESTÁTICO)	1	-	34	07001-00404	TORNILLO DE CASQUILLO LARGO M5 X6	1	-	
2	07532-00203	MANGUERA SUPERIOR DE ADAPTADOR	1	-	35	07530-02301	BLOQUE DE INTERRUPTOR	1	-	
3	07003-00142	SELLO ADHERIDO 1/8" BSP	4	2	36	07530-02302	CARRETE DE MORDAZA NEUMÁTICA TRASERA	1	-	
4	07532-02202	PLACA DE MONTAJE DE SUSPENSIÓN	1	-	37	07004-00059	ARANDELA STARLOCK 1/8" NEGRA	1	-	
5	07532-00205	TORNILLO MODIFICADO	1	-	38	07003-00121	ANILLO 'O'	2	3	
6	07005-00759	ACOPLADOR DE CIERRE AUTOMÁTICO	1	-	39	07005-01571	CONECTOR DE CODO	2	-	
7	07005-01357	CONECTOR TIPO COLLARIN	3	-	40	07002-00134	TUERCA HEXAGONAL M4	5	-	
8	07005-01325	CONECTOR RECTO CON PÚAS	2	-	41	07001-00401	TORNILLO PRISIONERO DE CASQUILLO M4 X 10	3	-	
9	07003-00236	SELLO (DINÁMICO)	1	1	42	07530-02210	ETIQUETA	2	-	
10	07003-00167	ANILLO 'O'	1	1	43	07007-01504	ETIQUETA DE MARCA CE	1	-	
11	07271-01100	ENSAMBLE DE CURSOR MECÁNICO	1	-	44	73200-02022	ETIQUETA DE SEGURIDAD	1	-	
12	07530-02207	CILINDRO DE MORDAZA TRASERA	1	-	45	07530-02603	TAPA DE EXTREMO	1	-	
13	07490-03002	RESORTE DE RETORNO DE BARRIL	1	-	46	07001-00262	TORNILLO PRISIONERO DE CASQUILLO M4 X 22	2	-	
14	07530-02205	TAPÓN DE BARRIL	1	-	47	07532-02208	MOLDURA DE MANIJA MODIFICADA (DERECHA)	1	-	
15	07530-00208	ALOJAMIENTO DE MORDAZA	1	-	48	07532-02209	MOLDURA DE MANIJA MODIFICADA (IZQUIERDA)	1	-	
16	07151-00403	MORDAZAS	2	2	50	07003-00113	ANILLO 'O'	1	-	
17	07003-00113	ANILLO 'O'	1	2	51	07001-00504	TORNILLO PRISIONERO DE CASQUILLO M4 X 6	2	2	
18	07005-01972	NIPLE ROSCADO TIPO L	1	-	52	07002-00153	ARANDELA DE PLÁSTICO M4	2	-	
19	07530-02211	TUBO DE CONCERTINA DE MORDAZA TRASERA NEUMÁTICA	1	-	53	07530-02213	TAPÓN TRASERO	1	-	
20	07154-00404	RESORTE	1	-	54	07530-02220	SUJETADOR	1	-	
21	07530-02800	ENSAMBLE DE PISTÓN DE MORDAZA TRASERA	1	-	55	07007-00300	BOTÓN DE GATILLO	1	-	
22	07530-00206	FRANJA DE ROCE	1	1	56	07220-00803	RETENEDOR	1	-	
23	07530-00204	LIMITADOR DE CARRERA	1	-	57	07125-00215	RESORTE	1	-	
24	07530-00203	PISTÓN	1	-	58	07530-02311	ALOJAMIENTO DE GATILLO	1	-	
25	07530-02202	CUERPO	1	-	60	07003-00022	ANILLO 'O'	1	-	
26	07005-01973	VÁLVULA DE NO RETORNO	1	-	61	07241-00208	HUSILLO	1	-	
27	07005-01083	TUBO DE PLÁSTICO AZUL DE 4mm O/D	350 mm	-	63	07008-00414	ENSAMBLE DE MANGUERA HIDRÁULICA	1	-	
28	07532-02215	TAPÓN DE SELLADO	1	-	64	07003-00142	● SELLO ADHERIDO	1	1	
29	07005-01084	TUBO DE PLÁSTICO NEGRO DE 4mm O/D	220 mm	-	65	07003-00194	● SELLO ADHERIDO	1	1	
30	07530-00500	ENSAMBLE DE TAPÓN DE PURGA (ARTÍCULOS 64 a 67)	1	-	66	07001-00442	● TORNILLO	1	-	
31	07530-02201	BARRIL	1	-	67	07530-00501	● TAPÓN	1	-	
32	07007-00017	TAPA DE POLVO	1	-	68	07530-00310	PLACA CIEGA	2	-	
33	07004-00058	ARANDELA DE CROMO STARLOCK 1/8"	1	-						

6.7 INTENSIFICADOR 07531-02200 - MANTENIMIENTO

Instrucciones de desmontaje

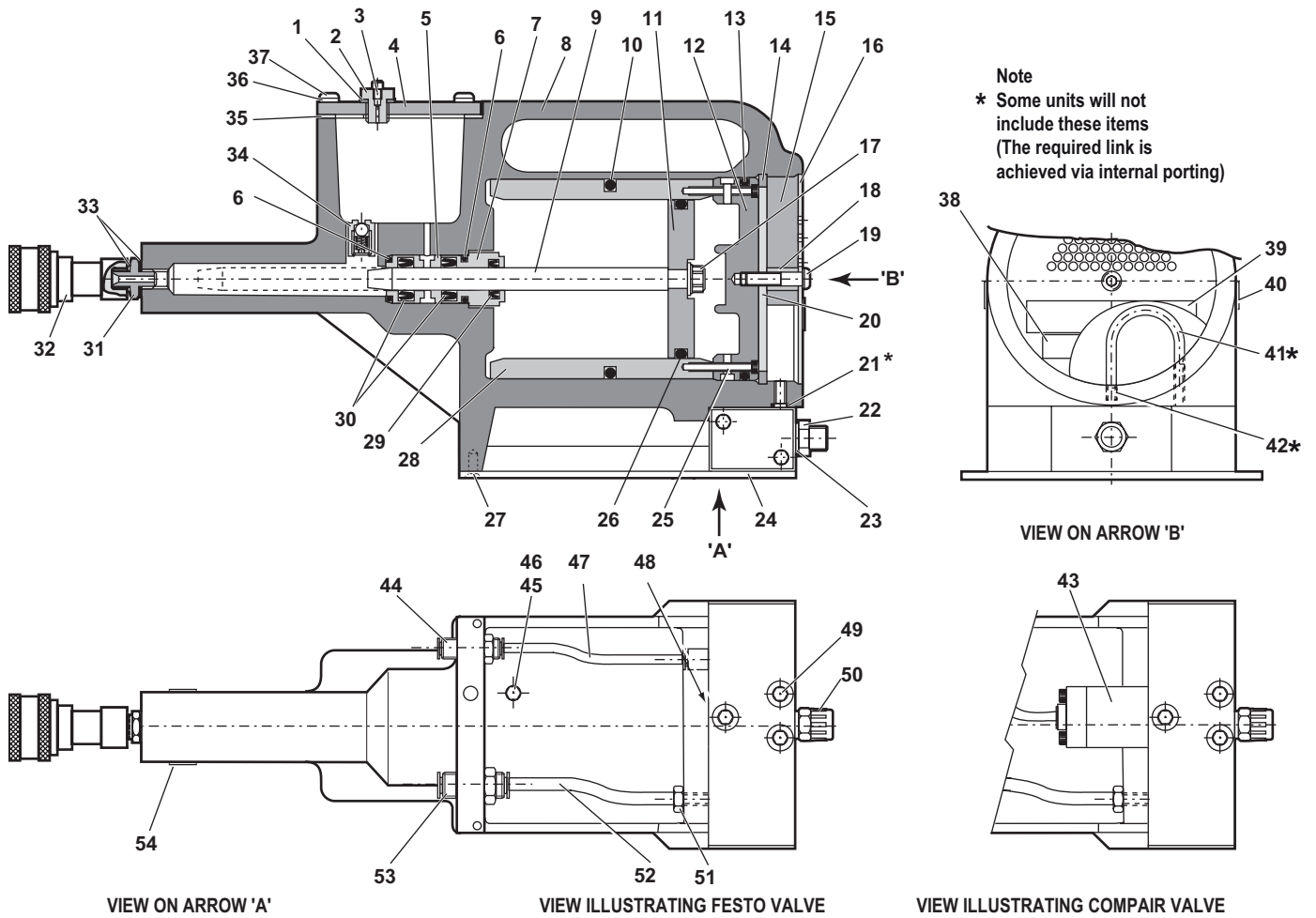
- Al desmantelar el ensamble de intensificador, primero desconecte la manguera de suministro de aire al conector de entrada del intensificador **22**.
- Con una llave Allen* destornille los cuatro tornillos **27** y retire la placa de protección **24**.
- Desconecte la manguera de gatillo (artículo 22 en la página 88 o artículo 29 en la página 91) de la válvula de intensificador **43** o **48** presionando el collarín de salida y retirando la manguera.
- Retire la placa de cubierta **4** y el empaque **35** retirando los tornillos **37** y arandelas **36** con la llave Allen*.
- Asegúrese que el empaque no esté dañado para garantizar el sello adecuado en el ensamble.
- Invierta el ensamble de intensificador y drene el aceite del depósito en un contenedor adecuado.
- Retire el conector de liberación rápida **32** junto con el conector **31** y los sellos **33** con una llave adecuada*.
- Retire la válvula de intensificador **43** o **48** retirando los tornillos de fijación con una llave adecuada teniendo cuidado de retener el anillo 'O' **21** ubicado en la fundición del cuerpo del intensificador.
- Retire el tornillo **19** con una llave Allen adecuada* y retire la cubierta del silenciador **16**, el silenciador de espuma **15**, el espaciador **18** y la placa de retención **20**.
- Extraiga el tubo de plástico de 6mm **41** de los conectores de vacío **42**.
- Desde la base del intensificador inserte una llave Allen de 3mm * a través de los dos orificios y desatornille los conectores de vacío **42**. Nota:
 - Se debe tener cuidado ya que los conectores de vacío están bloqueados y sellados en su lugar con Loctite 574.
 - Si es difícil de retirar, se pueden perforar los conectores de vacío con un taladro de $\frac{3}{16}$ " o 4.7mm de diámetro.
- Para volver a ensamblar los conectores de vacío **42**, se debe seguir el siguiente procedimiento: -
 - Humedezca los conectores de vacío en un primer adecuado, por ej., Perma Bond A905
 - Coloque una gota de Loctite 574 en el orificio roscado del intensificador.
 - Desde la base del intensificador, inserte la llave Allen * a través del orificio. Asegúrese que la llave Allen * esté libre de Loctite 574 antes de insertar en el conector de vacío.
 - Gire la llave Allen mientras aplica Loctite 574 a la base del conector de vacío.
 - Atornille el conector de vacío en el intensificador, asegurándose que haya suficiente Loctite 574 en la base del accesorio de forma que la rosca no sea visible.
- Con un destornillador, retire cuidadosamente el anillo de retención interno **14**. Limpie y revise la ranura respecto a señales de daño.
- Con el Extractor*, inserte el extremo roscado macho en la cubierta de extremo **12** y retírela junto con la camisa del intensificador **28** y los anillos 'O' **10** y **13**.
- Inserte la varilla* a través del orificio del conector en la parte delantera del cuerpo del intensificador y golpee hacia afuera la varilla de pistón **9** y el ensamble de pistón.
- Con una llave Allen adecuada*, desatornille dos tornillos **25** y retire la cubierta de extremo **12** de la camisa del intensificador **28**.
- Retire el tapón de sello **7** con la llave*.
- Inserte la varilla* a través del orificio del conector en el frente del cuerpo del intensificador y empuje hacia afuera el alojamiento del sello 5 y los anillos 'O' relacionados y los sellos de labio.
- Retire el ensamble de alojamiento de la válvula **34** del cuerpo principal con una llave adecuada*. Limpie soplando a través con chorro de aire a baja presión.
- Retire la varilla de pistón **9** del pistón de aire del intensificador **11** sujetando los primeros 20 mm ($\frac{3}{4}$ ") de la varilla en una prensa equipada con mordazas suaves, teniendo cuidado de no dañar o marcar la superficie de trabajo.
- Desatornille la tuerca de bloqueo **17** con una llave adecuada*.
- Ensamble en orden inverso al desmantelamiento, observando lo siguiente:
 - Limpie todas las partes y renueve todos los anillos 'O'.
 - Lubrique todos los sellos con grasa de litio molibdeno.

* Se refiere a los elementos incluidos en el juego de servicio 0753 MkII. Para obtener una lista completa, consulte la página 83. Los números de artículo en **negritas** se refieren a la ilustración y la lista de partes opuesta.

- El ensamble de alojamiento de válvula **34** se debe reacondicionar con un adhesivo de sellado de rosca.
- Monte el ensamble de pistón con una nueva tuerca **17**.
- La cubierta de extremo **12** se debe instalar correctamente dentro del anillo de retención **14**. La herramienta no se debe operar si se omitió la cubierta de extremo.

IMPORTANTE
El cebado SIEMPRE es necesario después de haber desmantelado la herramienta y antes de la operación.

6.8 INTENSIFICADOR 07531-02200



* Se refiere a los elementos incluidos en el juego de servicio 0753 MkII. Para obtener una lista completa, consulte la página 83. Los números de artículo en **negritas** se refieren a la ilustración y la lista de partes opuesta.

07531-02200 LISTA DE PARTES									
ELEMENTO	PART NO.	DESCRIPCIÓN	CANT.	REPUESTOS	ELEMENTO	PART NO.	DESCRIPCIÓN	CANT.	REPUESTOS
1	07003-00037	SELLO	1	1	28	07531-00201	CAMISA	1	-
2	07240-00211	TORNILLO DE RELLENO	1	-	29	07003-00337	SELLO DE LABIO	1	1
3	07001-00418	TORNILLO DE PURGA	1	1	30	07003-00336	SELLO DE LABIO	2	2
4	07240-00210	PLACA DE CUBIERTA	1	-	31	07005-00406	CONECTOR	1	-
5	71420-02006	ALOJAMIENTO DE SELLO	1	-	32	07005-00759	CONECTOR DE LIBERACIÓN RÁPIDA	1	-
6	07003-00153	ANILLO 'O'	2	-	33	07003-00142	SELLO	2	1
7	71420-02007	TAPÓN DE SELLO	1	-	34	07240-00400	ENSAMBLE DE ALOJAMIENTO DE VÁLVULA	1	-
8	71420-02300	ENSAMBLE DE CUERPO	1	-	35	07240-00209	EMPAQUE	1	1
9	71420-02008	VARILLA DE PISTÓN	1	-	36	07002-00073	ARANDELA	4	1
10	07003-00182	ANILLO 'O'	1	1	37	07001-00554	TORNILLO	4	1
11	07531-00202	PISTÓN DE AIRE	1	-	38	07007-01504	ETIQUETA	1	-
12	07531-00204	CUBIERTA	1	-	39	07240-00217	ETIQUETA	1	-
13	07003-00183	ANILLO 'O'	1	1	40	07531-00205	ETIQUETA	2	-
14	07004-00069	ANILLO DE RETENCIÓN	1	1	41	07005-00596	* TUBO DE PLÁSTICO DE 6mm	-	-
15	07240-00213	SILENCIADOR DE ESPUMA	1	1	42	07245-00103	* CONECTOR DE VACÍO	2	-
16	07240-00214	CUBIERTA DE SILENCIADOR	1	-	43	07005-00590	VÁLVULA COMPAIR	1	1
17	07002-00017	TUERCA	1	1	44	07005-01431	CONECTOR DE MAMPARA	1	1
18	07240-00215	ESPACIADOR	1	-	45	07005-00668	TAPÓN M5	1	-
19	07001-00417	TORNILLO	1	1	46	07005-00670	ANILLO DE SELLADO M5	1	-
20	07240-00216	PLACA DE RETENCIÓN	1	-	47	07005-01084	TUBO DE PLÁSTICO DE 4mm (150mm)	-	-
21	*07003-00042	ANILLO 'O'	1	1	48	07005-01524	VÁLVULA FESTO	1	-
22	07005-00041	CONECTOR	1	-	49	07001-00176	TORNILLO	3	-
23	07003-00065	ARANDELA	1	-	50	07007-00292	TAPA ROJA 1/4" BSP	1	-
24	07240-00220	PLACA DE PROTECCIÓN	1	-	51	07005-00647	CONECTOR	1	-
25	07001-00375	TORNILLO	2	-	52	07005-01085	TUBO DE PLÁSTICO DE 6mm (150mm)	-	-
26	07003-00238	ANILLO 'O'	1	1	53	07005-00855	UNIÓN DE MAMPARA	1	-
27	07001-00396	TORNILLO	4	-	54	73200-02022	ETIQUETA DE SEGURIDAD	1	-

6.9 VÁLVULA PILOTO 07005-00590 - MANTENIMIENTO

Instrucciones de desmontaje

Tenga en cuenta que estas instrucciones de servicio se refieren a la válvula Compair si está instalada.

El servicio de la válvula se limita a la desinstalación/reemplazo de los anillos 'O'.

- Retire los tornillos **24** y retire el ensamble del piloto.
- Retire el pistón **11** y deseche los anillos 'O' **3, 10, 4 y 5**.
- Retire los tornillos **26 y 21** y retire las tapas de extremo **22 y 25**.
- Retire los pistones **12 y 18** y retire los anillos 'O' **7 y 9** de los pistones.
- Retire el carrete **16** del orificio, teniendo cuidado de no dañar la superficie del carrete y retire las arandelas de ubicación **14 y 17**, el anillo 'O' **8**, los espaciadores **15** y el anillo 'O' **6** de cada extremo del cuerpo de la válvula.
- Retire los cinco anillos 'O' de la interfaz **4**.
- Deseche TODOS los anillos 'O' retirados.
- Limpie todas las partes con parafina o aguarrás. NO USE SOLVENTES. Seque todas las partes.
- Unte ligeramente los orificios del cuerpo de la válvula **23**, el cuerpo de la válvula piloto **19**, las tapas de extremo **22 y 25** y todos los anillos 'O' de repuesto con grasa CENTOPLEX 2.
- Coloque los anillos 'O' **10, 4 y 5** nuevos en el pistón **11** e insértelos en el cuerpo de la válvula piloto.
- Coloque los anillos 'O' **3, 10 y 6** nuevos en el cuerpo de la válvula piloto, coloque la tapa superior **20** en su posición y fije el ensamble de la válvula piloto al cuerpo **23** de la válvula principal con los tornillos **24**. Asegúrese que el alojamiento del sello de interfaz mire hacia arriba con el G1/4 en la parte inferior. Asegúrese que la orientación del pistón **11** sea correcta.
- Con el cuerpo de la válvula principal **23** en la misma posición, coloque la Arandela de ubicación verde **17** en el lado izquierdo del ensamble de la válvula.
- Comenzando desde el lado derecho de la válvula, ensamble alternativamente los anillos 'O' **8** y los espaciadores **15** (6 sellos y 5 espaciadores) y finalmente complete el ensamblaje de la pila con la Arandela de ubicación blanca **14**.
- Unte ligeramente el carrete **16** con grasa CENTOPLEX 2, suministrada con el juego de servicio, y deslice el carrete a través de la pila de sellos/espaciadores.
- Coloque los anillos 'O' **9 y 7** en los pistones **18 y 12** respectivos, coloque los anillos 'O' **6** en los extremos del cuerpo de la válvula principal **23**.
- Inserte los pistones en las tapas de extremo **25 y 22** y monte las tapas de extremo en la válvula, teniendo cuidado de ubicar los ejes de los pistones en los orificios de los extremos del carrete **16**.
- Asegure los ensambles de tapas de extremo al cuerpo **23** de la válvula principal con los tornillos **26 y 21**.
- Coloque los anillos 'O' **4** de la interfaz en sus alojamientos en el cuerpo de la válvula principal .
- Si la conexión de tubo al ensamble del piloto está dañada, reemplace el collar de plástico **2** y levante el anillo 'O' **1** del cartucho **27**.
- Coloque un nuevo anillo 'O' **1** e inserte el collar de plástico **2** en el cartucho **27**.

6.10 PROTECCIÓN DEL AMBIENTE

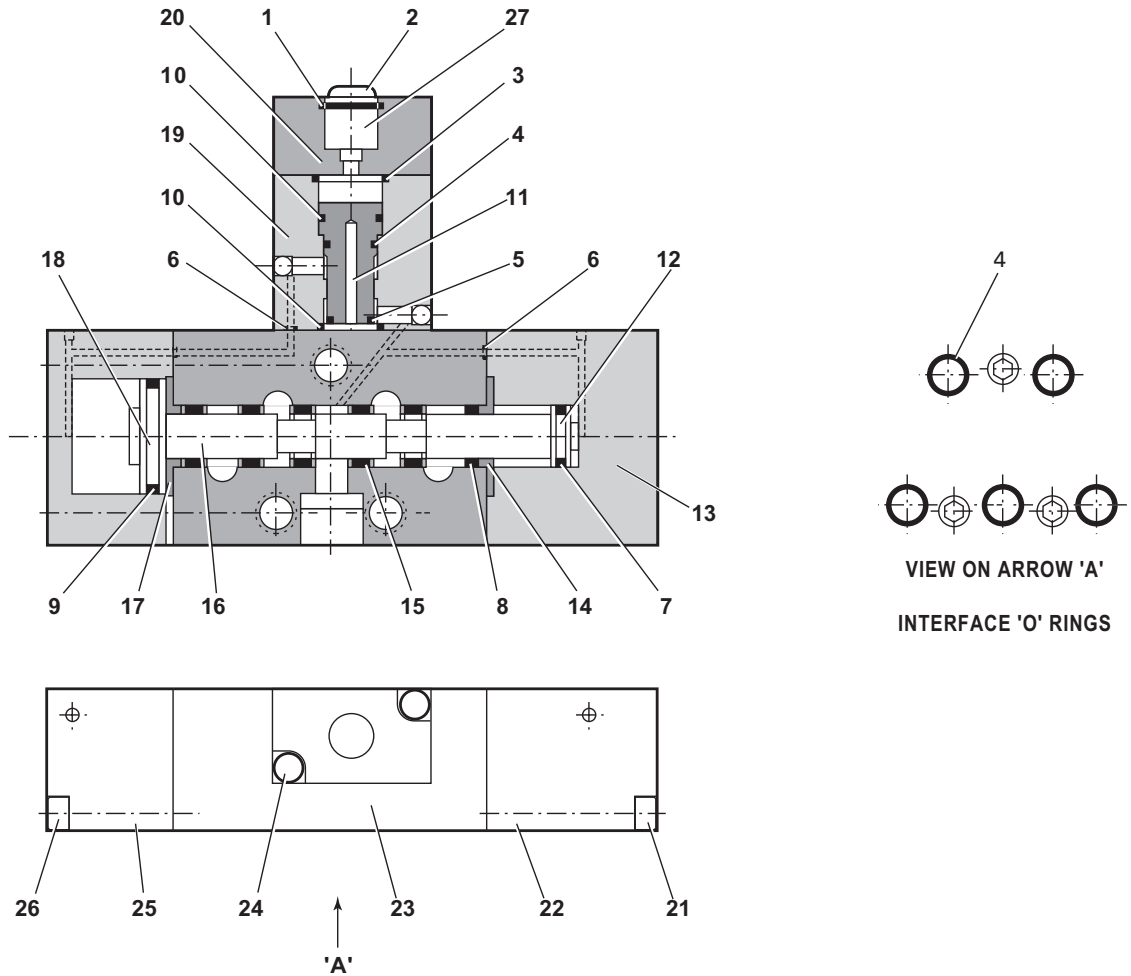
Asegure la conformidad con las regulaciones de eliminación aplicables. Deseche todos los productos de desecho en una instalación o sitio de desechos aprobado para no exponer al personal y al medio ambiente a riesgos.

IMPORTANTE

El cebado SIEMPRE es necesario después de haber desmantelado la herramienta y antes de la operación.

Los números de artículo en **negritas** se refieren a la ilustración y la lista de partes opuesta.

6.11 VÁLVULA PILOTO 07005-00590 - INFORMACIÓN DE REPUESTOS



07005-00590 LISTA DE PARTES DE VÁLVULA									
ELEMENTO	PART NO.	DESCRIPCIÓN	CANT.	REPUESTOS	ELEMENTO	PART NO.	DESCRIPCIÓN	CANT.	REPUESTOS
1	07005-00599	* ANILLO 'O'	-	-	15	-	† ESPACIADOR	5	-
2	07005-00598	* COLLARÍN DE PLÁSTICO	-	-	16	-	† CARRETE	1	-
3	07003-00204	* ANILLO 'O'	1	-	17	-	† ARANDELA	1	-
4	07003-00103	* ANILLO 'O'	6	-	18	-	† PISTÓN	1	-
5	07003-00042	* ANILLO 'O'	1	-	19	-	† CUERPO	1	-
6	07003-00121	* ANILLO 'O'	4	-	20	-	† TAPA SUPERIOR	1	-
7	08005-00127	* ANILLO 'O'	1	-	21	-	† TORNILLO	2	-
8	07003-00105	* ANILLO 'O'	6	-	22	-	† TAPA DE EXTREMO	1	-
9	07003-00178	* ANILLO 'O'	1	-	23	-	† CUERPO	1	-
10	07003-00017	* ANILLO 'O'	2	-	24	-	† TORNILLO	2	-
11	-	† PISTÓN	1	-	25	-	† TAPA DE EXTREMO	1	-
12	-	† PISTÓN	1	-	26	-	† TORNILLO	2	-
13	07005-00590	ENSAMBLE DE VÁLVULA	-	-	27	-	† CARTUCHO	1	-
14	-	† ARANDELA	1	-					

* Juntos, estos elementos forman un juego de servicio para la válvula con la adición de un tubo de grasa Centoplex 2; el juego está disponible en Avdel, número de parte 07005-01538.

† No disponible como repuesto

7. CEBADO

El cebado SIEMPRE es necesario después de haber desmantelado la herramienta y antes de la operación. También puede ser necesario restaurar la carrera completa después del uso considerable, cuando la carrera se pueda reducir y los sujetadores no se coloquen en una operación del gatillo.

7.1 DETALLES DE ACEITE

El aceite recomendado para cebado es Hyspin VG32 y AWS 32 disponibles en contenedores de 0.5l (número de parte 07992-00002) o un galón (número de parte 07992-00006). Consulte los datos de seguridad a continuación.

7.2 DATOS DE SEGURIDAD DE ACEITE HYSPIN VG 32 Y AWS 32

Primeros auxilios

PIEL:

Lave minuciosamente con agua y jabón tan pronto como sea posible. El contacto casual no requiere ninguna atención inmediata. El contacto a corto plazo no requiere atención inmediata.

INGESTIÓN:

Busque atención médica de inmediato. NO induzca el vómito.

OJOS:

Enjuague inmediatamente con agua por varios minutos. Aunque NO es un irritante primario, puede ocurrir irritación menor después del contacto.

Fuego

Medios de extinción adecuados: CO₂, polvo seco, espuma o neblina de agua. NO use chorros de agua.

Medio ambiente

DISPOSICIÓN DE DESPERDICIO: A través de un contratista autorizado en un sitio con licencia. Se puede incinerar. El producto usado se puede enviar para reclamo.

DERRAMES: Evite el ingreso en drenajes, alcantarillas y cursos de agua. Absorba con material absorbente.

Manejo

Use protección para los ojos, guantes impermeables (por ej., PVC) y un delantal de plástico. Use en un área bien ventilada.

Almacenamiento

No hay precauciones especiales.

7.3 PROCEDIMIENTO DE CEBADO

IMPORTANTE

NO OPERE EL GATILLO MIENTRAS EL TORNILLO DE PURGA ESTÉ RETIRADO

Todas las operaciones se deben realizar en un banco limpio, con las manos limpias en un área limpia.

Asegúrese que el aceite nuevo esté perfectamente limpio y libre de burbujas de aire.

Se DEBE tener cuidado en todo momento, para garantizar que no entre material extraño a la herramienta, de lo contrario puede resultar en daño serio.

- Retire el tornillo **2** y el sello **1** de la placa de cubierta de plástico **4** en el depósito del intensificador.
- Vierta el aceite de cebado en el depósito hasta que esté aproximadamente a 1/2" (12 mm) de la parte superior.
- Vuelva a colocar el tornillo **2** y el sello **1**.
- Conecte la unidad de intensificador al suministro de aire. Retire el tornillo del depósito.
- Con la pistola instalada en la unidad de intensificador y sostenida por debajo del nivel de la unidad de intensificador, desatornille el tornillo de purga **58** del ensamble de tapón de purga **2** en la herramienta 07530 Mk II o el tornillo de purga **66** del ensamble de tapón de purga **30** en la herramienta 07532 Mk II dos vueltas y deje que el aceite salga de la herramienta.
- Cuando el aceite fluya libremente y sin burbujas de aire, apriete el tornillo de purga.
- Rellene el depósito de la unidad de intensificador con aceite de cebado.
- Realice un ciclo de la herramienta hasta que las burbujas de aire presentes en el aceite se expulsen al depósito de aceite.

Los números de artículo en **negritas** se refieren al ensamble general y lista de partes en las páginas 88-92.

8. DIAGNÓSTICO DE FALLA

SÍNTOMA	CAUSA POSIBLE	REMEDIO	PÁGINA DE REF.
La herramienta no coloca el sujetador	Baja presión de aire.	Aumente la presión del aire	
	Falta de lubricación.	Lubrique la herramienta en el punto de entrada de aire	
	Alta carga de brocha.	Verifique el agarre del sujetador y el tamaño del orificio de aplicación	
	Verifique el tamaño correcto del mandril.		
	Mordazas traseras desgastadas o rotas.	Nuevas mandíbulas traseras	
	Mordazas traseras apagadas.	Encienda las mordazas traseras	
	Aire en sistema hidráulico.	Ver "Procedimiento de cebado"	98
"Deslizamiento del mandril" - las mordazas no sujetan el mandril	Mordazas traseras desgastadas o sucias.	Limpie o renueve conforme sea necesario	
	'Presión/volumen de aire insuficiente.	Incrementa la presión/volumen de aire	
	'El interruptor de la mandíbula trasera no funciona.	Reemplace el interruptor	
	'Fugas de aire a las mandíbulas traseras.	Renueve los anillos 'O' del pistón 8	
	Mandril roto y no alcanza las mandíbulas traseras.	Reemplace el mandril	
Válvula de no retorno defectuosa.	Reemplace la válvula de no retorno		
Las mordazas no liberarán el mandril	Mordazas traseras o alojamiento de mordaza sucios.	Limpie y lubrique	
	Interruptor de mandíbula trasera defectuoso.	Reemplace los anillos 'O'	
Los sujetadores no se alimentarán a través de las mordazas de punta	Mordazas traseras no encendidas.	Encienda las mordazas traseras	
	Mordazas traseras gastadas.	Renueve las mandíbulas traseras	
	Orientación del cursor incorrecta.	Reajuste asegurando la orientación correcta	
	Cursor incorrecto	Instale el cursor correcto	
	Mordazas de punta incorrectas.	Ajuste las mordazas de punta correctas	
	Resorte de seguidor de mandril no instalado.	Instale el resorte de seguidor del mandril correcto	
	Espacio incorrecto entre la cabeza del sujetador y las mordazas de punta cuando está cargado.	Ajuste el espacio a 1.5mm - 3mm (1/16" - 1/8") Consulte 'Carga de la herramienta'	81
	Cursor atascado.	Limpie y aceite el cursor	
	Resorte exterior débil alrededor del cursor.	Renueve el cursor	
Resorte de seguidor de mandril incorrecto instalado.	Instale el resorte de seguidor del mandril correcto		
Desgaste excesivo de la mordaza	Alta carga de brocha.	Verifique el tamaño y el espesor del orificio de aplicación y la capacidad de agarre del sujetador	
Alimenta más de un sujetador a la vez	Deslizamiento del mandril.	Revise respecto a 'Deslizamiento de mandril', etapa 2	
	Espacio incorrecto entre la cabeza del sujetador y las mordazas de punta cuando está cargado	Ajuste el espacio a 1.5mm - 3mm (1/16" - 1/8") Consulte 'Carga de la herramienta' en la página	81

Se deben informar otros síntomas o fallas a su distribuidor autorizado de Advel o al centro de reparación.

NOTAS

9. DECLARACIÓN DE CONFORMIDAD EC

Nosotros, **Stanley Engineered Fastening, Stanley House, Works Road, Letchworth Garden City, Hertfordshire, SG6 1JY UNITED KINGDOM**, declaramos bajo nuestra exclusiva responsabilidad que el producto:

Descripción: **Herramienta de repetición hidroneumática para remaches rápidos**

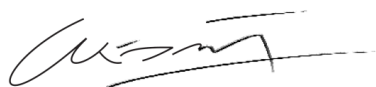
Modelo: **07530 / 07531 / 07532**

con el que se relaciona esta declaración cumple con las siguientes normas armonizadas:

ISO 12100:2010	EN ISO 3744:2010
EN ISO 11202:2010	EN ISO 11148-1:2011
EN ISO 4413:2010	BS EN 28662-1:1993
EN ISO 4414:2010	EN ISO 20643:2008+A1:2012
EN ISO 28927-5:2009+A1:2015	ES100118-rev 17:2017

La documentación técnica se compila de acuerdo con el Anexo VII, de acuerdo con la siguiente Directiva: **Directiva de Maquinaria 2006/42/EC** (Instrumentos Estatuarios 2008 No 1597 - Referido al Suministro de regulaciones de maquinaria (Seguridad)).

El abajo firmante hace esta declaración en nombre de STANLEY Engineered Fastening



A. K. Seewraj

Director de Ingeniería, Reino Unido

Avdel UK Limited, Stanley House, Works Road, Letchworth Garden City, Hertfordshire, SG6 1JY REINO UNIDO

Lugar de emisión: **Letchworth Garden City, Reino Unido**

Fecha de emisión: **27/08/2021**

El abajo firmante es responsable de la recopilación del archivo técnico para los productos vendidos en la Unión Europea y realiza esta declaración en nombre de Stanley Engineered Fastening.

Matthias Appel

Documentación Técnica de Líder de Equipo

Stanley Engineered Fastening, Tucker GmbH, Max-Eyth-Str.1, 35394 Gießen, Alemania



**Esta maquinaria cumple con
Directiva de Maquinaria 2006/42/EC**

10. DECLARACIÓN DE CONFORMIDAD DEL REINO UNIDO

Nosotros, **Stanley Engineered Fastening, Stanley House, Works Road, Letchworth Garden City, Hertfordshire, SG6 1JY UNITED KINGDOM**, declaramos bajo nuestra exclusiva responsabilidad que el producto:

Descripción: Herramienta de repetición hidroneumática para remaches rápidos

Modelo: 07530 / 07531 / 07532

con el que se relaciona esta declaración cumple con las siguientes normas designadas:

ISO 12100:2010	EN ISO 3744:2010
EN ISO 11202:2010	EN ISO 11148-1:2011
EN ISO 4413:2010	BS EN 28662-1:1993
EN ISO 4414:2010	EN ISO 20643:2008+A1:2012
EN ISO 28927-5:2009+A1:2015	ES100118-rev 17:2017

La documentación técnica se recopila de acuerdo con las Regulaciones de Suministro de Maquinaria (Seguridad) de 2008, S.I. 2008/1597 (conforme se modifiquen).

El abajo firmante hace esta declaración en nombre de STANLEY Engineered Fastening



A. K. Seewraj

Director de Ingeniería, Reino Unido

Avdel UK Limited, Stanley House, Works Road, Letchworth Garden City, Hertfordshire, SG6 1JY REINO UNIDO

Lugar de emisión: Letchworth Garden City, Reino Unido

Fecha de emisión: 27/08/2021



Esta maquinaria cumple con
Regulaciones de Suministro de Maquinaria (Seguridad) 2008,
S.I. 2008/1597 (conforme se modifique)

11. ¡PROTEJA SU INVERSIÓN!

Stanley® Engineered Fastening GARANTÍA DE HERRAMIENTA DE REMACHE CIEGO

STANLEY® Engineered Fastening garantiza que todas las herramientas eléctricas se han fabricado cuidadosamente y que estarán libres de defectos de material y mano de obra en condiciones normales de uso y servicio por un período de un (1) año.

Esta garantía se aplica al comprador por primera vez de la herramienta sólo para uso original.

Exclusiones:

Uso y desgaste normal.

El mantenimiento periódico, la reparación y las partes de repuesto debido al desgaste normal se excluyen de la cobertura.

Abuso y mal uso.

Los defectos o daños que resultan de una operación, almacenamiento inadecuados, mal uso o abuso, accidente o negligencia, como daños físicos, están excluidos de la cobertura.

Servicio o modificación no autorizados.

Los defectos o daños resultantes del servicio, ajuste de prueba, instalación, mantenimiento, alteración o modificación de cualquier manera por parte de cualquier persona que no sea STANLEY® Engineered Fastening, o sus centros de servicio autorizados, están excluidos de la cobertura.

Se excluyen todas las demás garantías, ya sean expresas o implícitas, incluidas las garantías de comerciabilidad o idoneidad para un propósito.

Si esta herramienta no cumple con la garantía, devuélvala de inmediato a nuestro centro de servicio autorizado de fábrica más cercano. Para obtener una lista de los Centros de servicio autorizados de STANLEY® Engineered Fastening en los EUA o Canadá, contáctenos en nuestro número de larga distancia gratuito (877) 364 2781.

Fuera de los EUA y Canadá, visite nuestro sitio web **www.StanleyEngineeredFastening.com** para encontrar la ubicación de sujeción de STANLEY Engineered Fastening más cercana.

STANLEY Engineered Fastening entonces reemplazará, sin cargo, cualquier parte o partes que consideremos defectuosas debido a un material o mano de obra defectuosos, y devolverá la herramienta con envío prepago. Esto representa nuestra única obligación bajo esta garantía.

En ningún caso, STANLEY Engineered Fastening será responsable de ningún daño consecuente o especial que surja de la compra o uso de esta herramienta.

Registre su herramienta de remache ciego en línea.

Para registrar su garantía en línea, visítenos en

<https://www.stanleyengineeredfastening.com/support/warranty-registration-form>

Gracias por elegir una herramienta de la marca Stanley Assembly Technologies de STANLEY® Engineered Fastening.

©2021 STANLEY Black & Decker
Todos os direitos reservados.

As informações fornecidas aqui não podem ser reproduzidas e/ou publicadas de qualquer forma e através de qualquer meio (eletrônica ou mecanicamente) sem a permissão prévia explícita e por escrito da STANLEY Engineered Fastening. As informações fornecidas baseiam-se em dados conhecidos no momento do lançamento de esse produto. A STANLEY Engineered Fastening segue uma política de melhoria contínua de produtos, por isso seus produtos podem sofrer alterações. As informações fornecidas aqui se aplicam ao produto entregue pela STANLEY Engineered Fastening. Logo, a STANLEY Engineered Fastening não pode ser responsabilizada por qualquer dano resultante de desvios das especificações originais do produto.

As informações disponíveis foram elaboradas com o máximo cuidado. No entanto, a STANLEY Engineered Fastening não aceitará responsabilidade por quaisquer falhas de informação ou suas conseqüências resultantes disso. A STANLEY Engineered Fastening não aceitará qualquer responsabilidade por danos provenientes de atividades realizadas por terceiros. Os nomes de trabalho, nomes comerciais, marcas comerciais registradas etc. utilizadas pela STANLEY Engineered Fastening não devem ser considerados livres nos termos da legislação referentes à proteção das marcas.

ÍNDICE

1. DEFINIÇÕES DE SEGURANÇA	106
1.1 REGRAS GERAIS DE SEGURANÇA	106
1.2 PERIGOS DE PROJÉTEIS.....	106
1.3 PERIGOS OPERACIONAIS.....	107
1.4 PERIGOS DE MOVIMENTOS REPETITIVOS.....	107
1.5 PERIGOS DE ACESSÓRIOS	107
1.6 PERIGOS NO LOCAL DE TRABALHO.....	107
1.7 PERIGOS DE RUÍDO.....	108
1.8 PERIGOS DE VIBRAÇÃO	108
1.9 INSTRUÇÕES ADICIONAIS DE SEGURANÇA PARA FERRAMENTA PNEUMÁTICAS E HIDRÁULICA.....	108
2. ESPECIFICAÇÕES.....	109
2.1 ESPECIFICAÇÃO PARA A FERRAMENTA TIPO 0753 MK II	109
2.2 ESPECIFICAÇÃO PARA INTENSIFICADOR 07531	109
3. USO PRETENDIDO.....	110
3.1 DIMENSÕES DA FERRAMENTA - MODELO 07530 MKII	111
3.2 DIMENSÕES DA FERRAMENTA - MODELO 07532 MKII	111
4. COLOCAR EM SERVIÇO	112
4.1 ALIMENTAÇÃO DE AR.....	112
4.2 CURSOR	114
4.3 CARREGANDO E RECARREGANDO A FERRAMENTA	114
4.4 PROCEDIMENTO OPERACIONAL.....	115
4.5 EQUIPAMENTO DE APLICAÇÃO.....	115
5. MANUTENÇÃO DA FERRAMENTA	116
5.1 DIARIAMENTE.....	116
5.2 SEMANALMENTE	116
5.3 DADOS DE SEGURANÇA DA GRAXA MOLILÍCIO EP 3753.....	116
5.4 CONJUNTO DE MANUTENÇÃO.....	117
6. MANUTENÇÃO	118
6.1 DESMONTAGEM 07530-02200 MKII	118
6.2 DESMONTAGEM 07532-02200 MKII	120
6.3 CONJUNTO GERAL DA FERRAMENTA DE BASE 07530-02200 MKII	123
6.4 LISTA DE PEÇAS PARA FERRAMENTA DE BASE 07530-02200 MKII	124
6.5 CONJUNTO GERAL DA FERRAMENTA DE BASE 07532-02200 MKII	125
6.6 LISTA DE PEÇAS PARA FERRAMENTA DE BASE 07532-02200 MKII	126
6.7 INTENSIFICADOR 07531-02200 - MANUTENÇÃO.....	127
6.8 INTENSIFICADOR 07531-02200.....	128
6.9 VÁLVULA PILOTO 07005-00590 - MANUTENÇÃO	130
6.10 PROTEÇÃO AO MEIO AMBIENTE.....	130
6.11 VÁLVULA PILOTO 07005-00590 - PEÇAS DE REPOSIÇÃO	131
7. ESCORVA.....	132
7.1 DETALHES DO ÓLEO	132
7.2 DADOS DE SEGURANÇA DO ÓLEO HYSPIV VG 32 E AWS 32.....	132
7.3 PROCEDIMENTO DE ESCORVA.....	132
8. DIAGNÓSTICO DE AVARIAS.....	133
9. DECLARAÇÃO DE CONFORMIDADE DA CE.....	135
10. DECLARAÇÃO DE CONFORMIDADE DO REINO UNIDO.....	136
11. PROTEJA O SEU INVESTIMENTO!	137



Esse manual de instruções deve ser lido por qualquer pessoa que vai instalar ou operar essa ferramenta, e com atenção especial para as seguintes regras de segurança.



Sempre use óculos de proteção resistente a impacto durante a operação da ferramenta. O grau de proteção necessário deve ser avaliado antes de cada uso.



Use proteção auricular de acordo com as instruções do empregador e como exigido por as regulações de saúde e segurança no trabalho.



Uso da ferramenta pode expor as mãos do operador a perigos de esmagamento, impacto, cortes, abrasões e calor. Use luvas apropriadas para proteger suas mãos.

1. DEFINIÇÕES DE SEGURANÇA

As definições abaixo descrevem o nível de gravidade de cada palavra de sinalização. Por favor, leia o manual e preste atenção nestes símbolos.



PERIGO: Indica uma situação de perigo iminente que, se não for evitada, poderá resultar em morte ou ferimentos graves.



ATENÇÃO: Indica uma situação potencialmente perigosa que, se não for evitada, pode resultar em morte ou lesões corporais graves.



CUIDADO: Indica uma situação potencialmente perigosa que, se não for evitada, talvez resulte em ferimentos menores ou moderados.



CUIDADO: Usado sem o símbolo de alerta de segurança indica uma situação potencialmente perigosa que, se não for evitada, poderá resultar em danos materiais.

A operação ou manutenção inadequada deste produto pode resultar em ferimentos graves e danos materiais. Leia e entenda todos os avisos e instruções operacionais antes de utilizar este equipamento. Ao utilizar ferramentas elétricas, siga sempre as precauções básicas de segurança para reduzir o risco de lesões corporais.

GUARDE TODOS AS ADVERTÊNCIAS E INSTRUÇÕES PARA CONSULTA FUTURA

1.1 REGRAS GERAIS DE SEGURANÇA

- Para conhecer seus vários perigos, leia e compreenda as instruções de segurança antes de instalar, operar, reparar, manter, trocar acessórios ou trabalhar próximo da ferramenta. Seu não cumprimento pode resultar em danos corporais graves.
- Somente operadores qualificados e treinados podem instalar, ajustar ou usar a ferramenta.
- NÃO use o produto fora de sua aplicação prevista no projeto da Rebitadeiras de Rebite Cego da STANLEY Engineered Fastening.
- Use somente peças, rebites e acessórios recomendados pelo fabricante.
- NÃO modifique a ferramenta. Modificações podem reduzir a eficiência das medidas de segurança e aumentar os riscos para o operador. Qualquer modificação na ferramenta realizada por o cliente será de sua inteira responsabilidade e invalida quaisquer garantias aplicáveis.
- Não descarte as instruções de segurança, as entregue ao operador.
- Não use a ferramenta se estiver danificada.
- Antes de usar, verifique se há desalinhamentos ou junções de peças móveis, quebra de peças e quaisquer outras condições que afetem o funcionamento da ferramenta. Se ela estiver danificada, envie-a à manutenção antes de usá-la. Remova chaves de ajuste ou chaves fixa antes de usá-la.
- Inspeção as ferramentas periodicamente para verificar se as classificações e marcações obrigatórias para essa peça por ISO 11148 estão visivelmente marcadas na ferramenta. O empregador/usuário deve contatar o fabricante para obter rótulos de marcação de reposição sempre que necessário.
- A ferramenta deve ser sempre mantida em condição operacional segura, e examinada por pessoal treinado em intervalos regulares quanto ao seu funcionamento e à presença de danos. Qualquer procedimento de desmontagem deve ser realizado apenas por pessoal treinado. Não desmonte esta ferramenta sem consultar antes as instruções de manutenção.

1.2 PERIGOS DE PROJÉTEIS

- Desconecte a bateria da ferramenta antes de executar qualquer manutenção, tentar ajustar, encaixar ou remover um conjunto de nariz ou acessórios.
- Esteja atento que avaria na peça de trabalho ou acessórios, ou mesmo em a ferramenta pode gerar projéteis a alta velocidade.
- Sempre use óculos de proteção resistente a impacto durante a operação da ferramenta. O grau de proteção necessário deve ser avaliado antes de cada uso.

- Avalie ao mesmo tempo os riscos para os outros.
- Se certifique que a peça de trabalho está bem presa.
- Controle se os meios de proteção contra ejeção de os grampos e/ou mandril está em seu lugar e está operacional.
- Avise contra a possível ejeção forçada de mandris na parte frontal da ferramenta.
- NÃO opere a ferramenta direcionada a(s) pessoa(s).

1.3 PERIGOS OPERACIONAIS

- O uso da ferramenta pode expor as mãos do operador a perigos de esmagamento, impacto, cortes, abrasões e calor. Use luvas apropriadas para proteger suas mãos.
- Os operadores e pessoal de manutenção devem ser fisicamente capazes de manejar o volume, peso e potência da ferramenta.
- Segure a ferramenta corretamente; esteja pronto a contrariar movimentos normais ou repentinos, e tenha sempre as duas mãos disponíveis.
- Mantenha cabos de ferramentas secos, limpos e sem óleo e graxa.
- Tenha uma posição do corpo equilibrada e com os pés bem pousados durante a operação da ferramenta.
- Solte o mecanismo de partida-e-parada no caso de interrupção em a alimentação hidráulica.
- Use somente lubrificantes recomendados por o fabricante.
- Evite contato com o fluido hidráulico. Para minimizar a possibilidade de erupções, tome cuidado para lavar o local cuidadosamente se o contato ocorrer.
- As Fichas de Especificações de Segurança do Material para todos os óleos e lubrificantes hidráulicos estão disponíveis em seu fornecedor local da ferramenta a pedido.
- Evite posturas não apropriadas, porque essas posições não permitem contrariar movimentos normais ou repentinos da ferramenta.
- Se a ferramenta está fixa a um mecanismo de suspensão, se certifique que a fixação é segura.
- Tenha cuidado com o risco de esmagamento se o equipamento do nariz não estiver montado.
- NÃO opere a ferramenta sem o invólucro do nariz.
- Antes de operar a ferramenta, seus operadores precisam limpar as mãos adequadamente.
- Quando transportar a ferramenta de um lugar a outro, mantenha as mãos afastadas do gatilho para evitar um acionamento acidental.
- NÃO trate mal a ferramenta, a derrubando ou usando como martelo.
- Tome cuidado para assegurar que os mandris gastos não se tornem um perigo.

1.4 PERIGOS DE MOVIMENTOS REPETITIVOS

- Quando estiver usando a ferramenta, o operador pode experimentar algum desconforto em suas mãos, braços, ombros, pescoço ou outras partes do corpo.
- Quando estiver usando a ferramenta, o operador deve adotar uma postura confortável ao mesmo tempo que tem os pés bem colocados e evitar posturas desajeitadas ou sem equilíbrio. O operador deve mudar sua postura durante tarefas longas; isso pode ajudar a evitar desconforto e fadiga.
- Se o operador sente sintomas como desconforto, dor, dor latejante, zumbido, dormência, sensação de queimadura ou rigidez, persistente ou recorrente, não deve ignorar esses sinais de aviso. O operador deve informar o empregador e consultar um profissional de saúde.

1.5 PERIGOS DE ACESSÓRIOS

- Desconecte a ferramenta da alimentação de ar antes de montar ou remover o conjunto ou acessório do nariz.
- Use somente tamanhos e tipos de acessórios e consumíveis recomendados por o fabricante da ferramenta; não use outros tipos ou tamanhos de acessórios ou consumíveis.

1.6 PERIGOS NO LOCAL DE TRABALHO

- Escorregar, tropeçar e quedas são as causas principais de ferimentos no local de trabalho. Tenha cuidado com superfícies deslizantes causadas por o uso da ferramenta e também de perigo de tropeçar causado por as linhas de ar e tubos hidráulicos.
- Em ambientes que não conhece proceda com cuidado. Pode ter perigos escondidos, como linhas de eletricidade e outros serviços.
- A ferramenta não serve para usar em ambientes potencialmente explosivos e não está isolada contra contato com energia elétrica.
- Se certifique que não tem cabos elétricos, tubos de gás, etc. que possam causar um perigo se danificado por a ferramenta.
- Use vestuário adequado. Não use roupas largas ou jóias. Mantenha cabelos, roupas e luvas longe das peças móveis. Roupas largas, jóias ou cabelos longos podem ficar presos nas peças móveis.
- Tome cuidado para assegurar que os mandris gastos não se tornem um perigo.

1.7 PERIGOS DE RUÍDO

- Exposição a altos níveis de ruído pode causar perda de audição permanente e outros problemas, como tinnitus (sons ressoantes, zumbidos, assobios ou zumbidos nos ouvidos). Por isso, a avaliação de risco e implementação de controles apropriados para esses perigos é essencial.
- Controles apropriados para reduzir esse risco podem incluir ações como materiais silenciadores para prevenir ruído sonante das peças de trabalho.
- Use proteção auricular de acordo com as instruções do empregador e como exigido por as regulações de saúde e segurança no trabalho.
- Opere e mantenha a ferramenta como recomendado em o Manual de Instruções, para evitar um aumento desnecessário do nível de ruído.

1.8 PERIGOS DE VIBRAÇÃO

- Exposição a vibração pode causar lesões incapacitantes para os nervos e circulação de sangue nas mãos e braços.
- Use roupa quente se estiver trabalhando no exterior no frio e mantenha suas mãos quentes e secas.
- Se você experimentar dormência, zumbido, dor ou descoloração da pele em os dedos das mãos e mãos, pare de usar a ferramenta, informe seu empregador e consulte um médico.
- Sempre que possível, apóie o peso da ferramenta em um suporte, tensionador ou balanceador, porque assim pode usar um toque mais leve para suportar a ferramenta.

1.9 INSTRUÇÕES ADICIONAIS DE SEGURANÇA PARA FERRAMENTAS PNEUMÁTICAS E HIDRÁULICAS

- A pressão operacional de alimentação não deve exceder 7 bar (100 PSI).
- Ar sob pressão pode causar ferimentos graves.
- Nunca deixe a ferramenta funcionando sozinha. Desconecte a mangueira hidráulica quando a ferramenta não está sendo usada, antes de trocar acessórios ou antes de começar reparações.
- NÃO deixe a abertura de exaustão de ar no coletor de mandril virado para direção do operador ou de outras pessoas. Nunca dirija o ar contra você ou outra pessoa.
- Tubos chicoteando pode causar ferimentos graves. Sempre verifique se os tubos ou fixações têm danos ou estão frouxos.
- Antes do uso, verifique se há danos nas tubulações de ar, todas as conexões precisam estar seguras. Não deixe cair objetos pesados nas mangueiras. Um forte impacto pode causar danos internos e levar a avarias precoces do tubo.]
- Dirija sempre ar frio para longe de suas mãos.
- Sempre que sejam usados acoplamentos de flexão-torção (acoplamento de garra), deve instalar pinos de trava e controle se é necessário usar cabos de segurança para proteger contra possíveis falhas de conexão entre tubo-ferramenta ou tubo-tubo.
- NÃO levante a ferramenta pelas mangueiras. Sempre utilize a empunhadura da ferramenta.
- Orifícios de ventilação não devem estar bloqueadas ou cobertos.
- Não deixe que o sistema hidráulico da ferramenta fique sujo ou com outros materiais, pois isso pode causar um funcionamento incorreto.
- Óleo sob pressão pode causar ferimentos graves.
- Antes de usar, verifique se há danos nos tubos hidráulicos. Todas as conexões hidráulicas devem estar limpas, totalmente encaixadas e apertadas antes da operação. Não deixe cair objetos pesados nas mangueiras. Um forte impacto pode causar danos internos e levar a avarias precoces da mangueira.
- NÃO puxe nem mova a unidade intensificadora usando os tubos. Sempre use a alça da unidade.
- Use apenas óleo e equipamento de abastecimento limpo.
- Apenas os fluidos hidráulicos recomendados podem ser usados.
- Temperatura máxima do fluido hidráulico na entrada é de 100°C (212°F).

⚠ ATENÇÃO: Apesar de ocorrer naturalmente algum gasto e marcação através da utilização normal e correta de mandris, esses devem ser regularmente examinados para ver se tem gasto e marcações excessivas, com particular atenção ao diâmetro da cabeça, área de aderência da garra de cauda ou picadura pesada na espiga ou distorção do mandril. Mandris que falham durante o uso podem sair forçadamente da ferramenta. É da responsabilidade do cliente garantir que os mandris são substituídos antes de ter níveis excessivos ou gasto e sempre antes do número de colocações máximo recomendado. Contate seu representante STANLEY Engineered Fastening que irá dar a conhecer qual é esse número, medindo a carga da brocha de sua aplicação com nossa ferramenta de medição calibrada.

A política da STANLEY Engineered Fastening tem como objetivo a melhoria e o desenvolvimento contínuos dos produtos. Assim, reservamo o direito de alterar as especificações de qualquer produto sem aviso prévio.

2. ESPECIFICAÇÕES

2.1 ESPECIFICAÇÃO PARA A FERRAMENTA TIPO 0753 MK II

Pressão de Ar	Mínimo - Máximo	5 -7 bar (70 -100 lbf/pol ²)
Volume de Ar Livre Necessário	@ 5,1 bar/75 lbf/in ²	2,6 litros (0,09 pés ³)
Curso	Mínimo	30,0 mm (1,18 pol)
Força de Tração	@ 5,5 bar/80 lbf/in ²	3,89 kN (875 lbf)
Tempo de Ciclo	Aproximadamente	1 segundo
Peso	Pistola	1,2 kg (2,64 lb)

2.2 ESPECIFICAÇÃO PARA INTENSIFICADOR 07531

Pressão de Ar	Mínimo - Máximo	5 -7 bar (70 -100 lbf/pol ²)
Proporção de Intensificação		32:1

Valores de ruído determinados de acordo com o teste de ruído do código ISO 15744 e ISO 3744.		0753
Nível acústico ponderado A dB(A), L_{WA}	Incerteza de ruído: $k_{WA} = 2,3$ dB(A)	85,7 dB(A)
Emissão de som com Nível acústico ponderado A na estação de trabalho dB(A), L_{pA}	Incerteza de ruído: $k_{pA} = 2,3$ dB(A)	74,8 dB(A)
Nível de pressão de som com emissão de pico com ponderado C cN(C), L_{pC} , pico	Incerteza de ruído: $k_{pC} = 2,5$ dB(C)	97,9 dB(C)
Valores de vibração determinados de acordo com o código do teste de ruído ISO 20643 e ISO 5349.		0753
Nível de emissão de vibração, a_{hd}	Incerteza de vibração: $k = 0,19$ m/s ²	0,73 m/s ²
Valores de emissão de vibração declarados de acordo com EN 12096		

3. USO PRETENDIDO

A ferramenta tipo 0753 MkII pneumática foi projetada para colocar rebites de fixação rápida da Engineered Fastening (exceto 1/16" Avlug®) tornando-a ideal para montagem na linha de fluxo ou lote em uma ampla variedade de aplicações em todos os setores.

A ferramenta manual e o intensificador foram testados como itens separados e combinados. Eles devem ser usados juntos e sem nenhum outro objetivo. Confira "Colocar em serviço" na página 112 para obter os detalhes da conexão.

Ambos os modelos, 07530 MkII e 07532 MkII, são ferramentas manuais leves. A única diferença está no local da entrada da mangueira.

A entrada superior na ferramenta 07532 MkII permite a suspensão de uma placa de montagem adicional, veja o desenho oposto. Os números de peça são mostrados para montar uma ferramenta completa, incluindo o intensificador e todas as mangueiras, mas sem equipamento de nariz.

O número da pistola para o modelo 07530 MkII é 07530-02200 e 07532-02200 para o modelo 07532 MkII. Confira as informações gerais nas páginas 123-126.

Os modelos colocarão os mesmos rebites e ambos colocarão a maioria dos rebites de repetição, como mostrado na tabela abaixo.

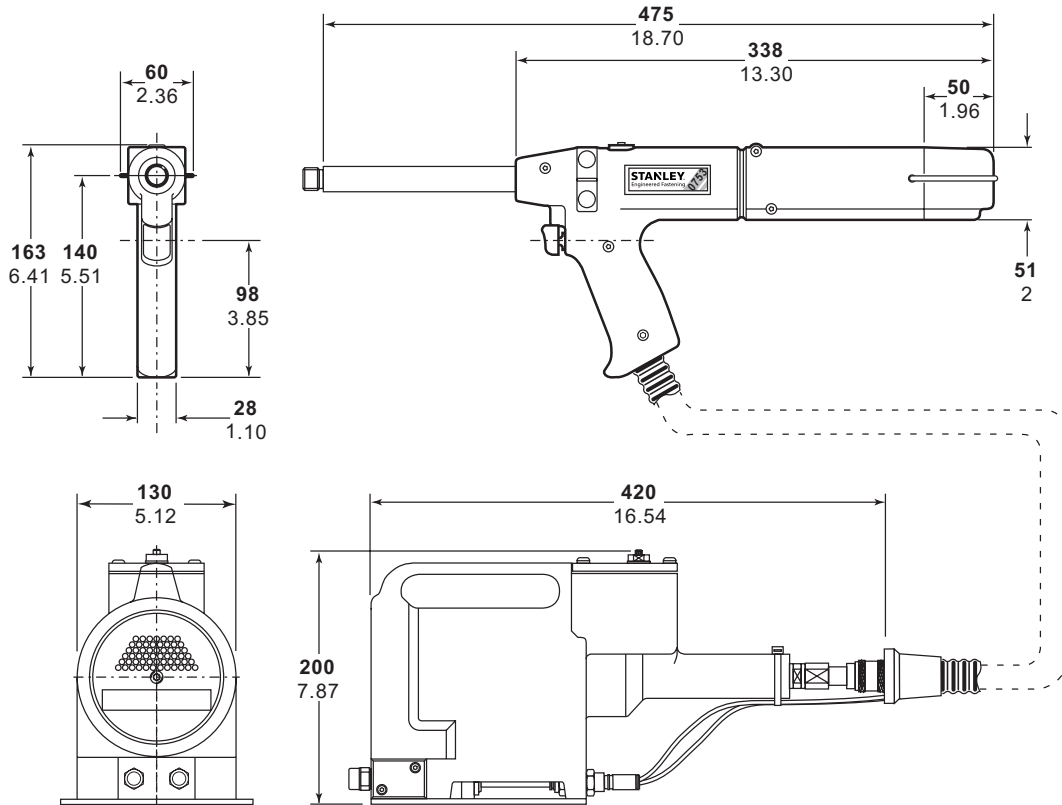
Os modelos usam o mesmo equipamento de nariz. Consulte a seção do manual de acessórios (07900-09508) quando selecionar componentes compatíveis para o tipo e tamanho do fixador usado em seu aplicativo.

NÃO use na presença de umidade ou de gases e líquidos inflamáveis.

NOME DO REBITE	TAMANHO DO REBITE											
	3/32"	1/8"	5/32"	3/16"	1/4"	2,5 mm 2,8 mm	3 mm	3,5 mm	4 mm	6 mm	M2.5 4-40 UNC	M3 6-32 UNC
CHOBERT®	●	●	●	●	●							
GROVIT®	●	●	●	●								
AVLUG®	●	●										
BRIV®	●	●	●	●						●		
RIVSCREW®						●	●	●	●			
AVTRONIC®						●						
AVSERT®											●	●
NEOSPEED(R)		●	●	●								

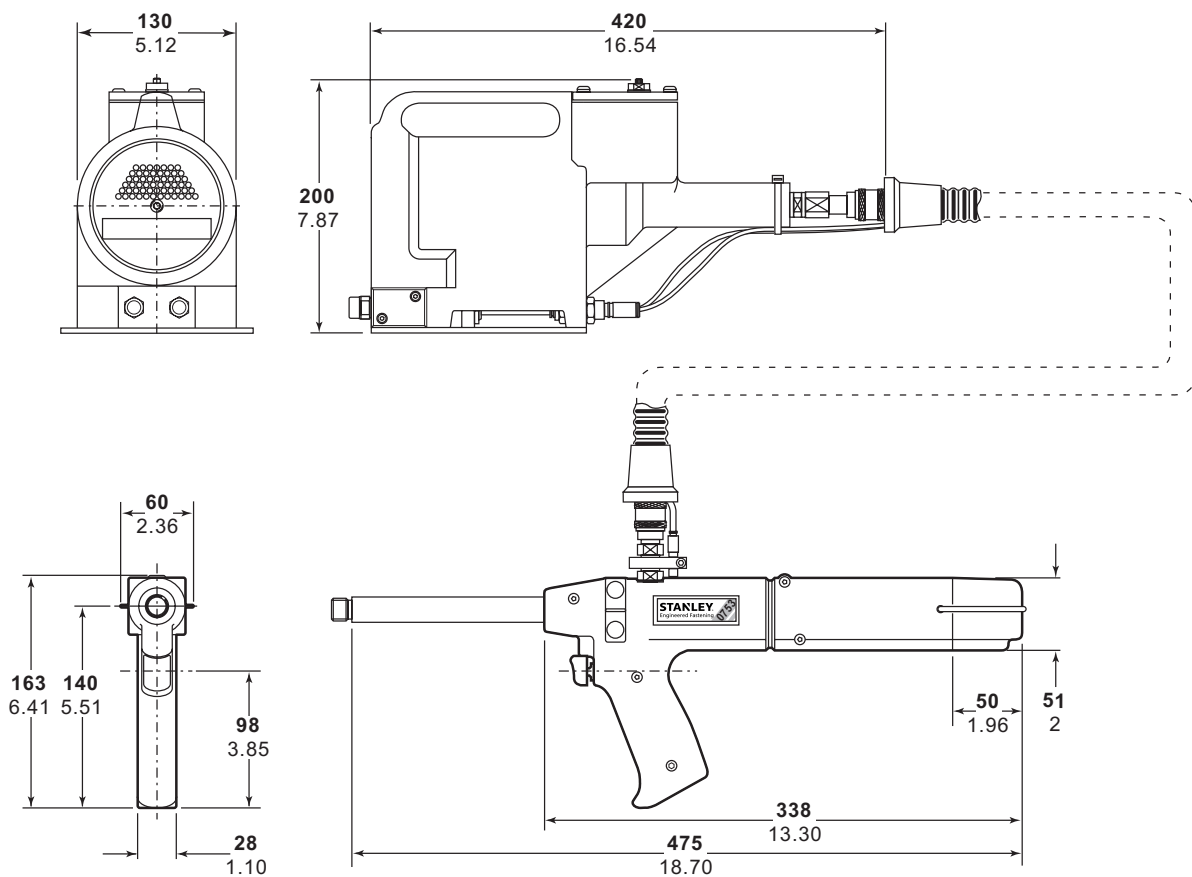
3.1 DIMENSÕES DA FERRAMENTA - MODELO 07530 MKII

Número de Peça 07530-02100



3.2 DIMENSÕES DA FERRAMENTA - MODELO 07532 MKII

Número de Peça 07532-02100



As dimensões mostradas em **negrito** estão em milímetros. As outras dimensões estão em polegadas.

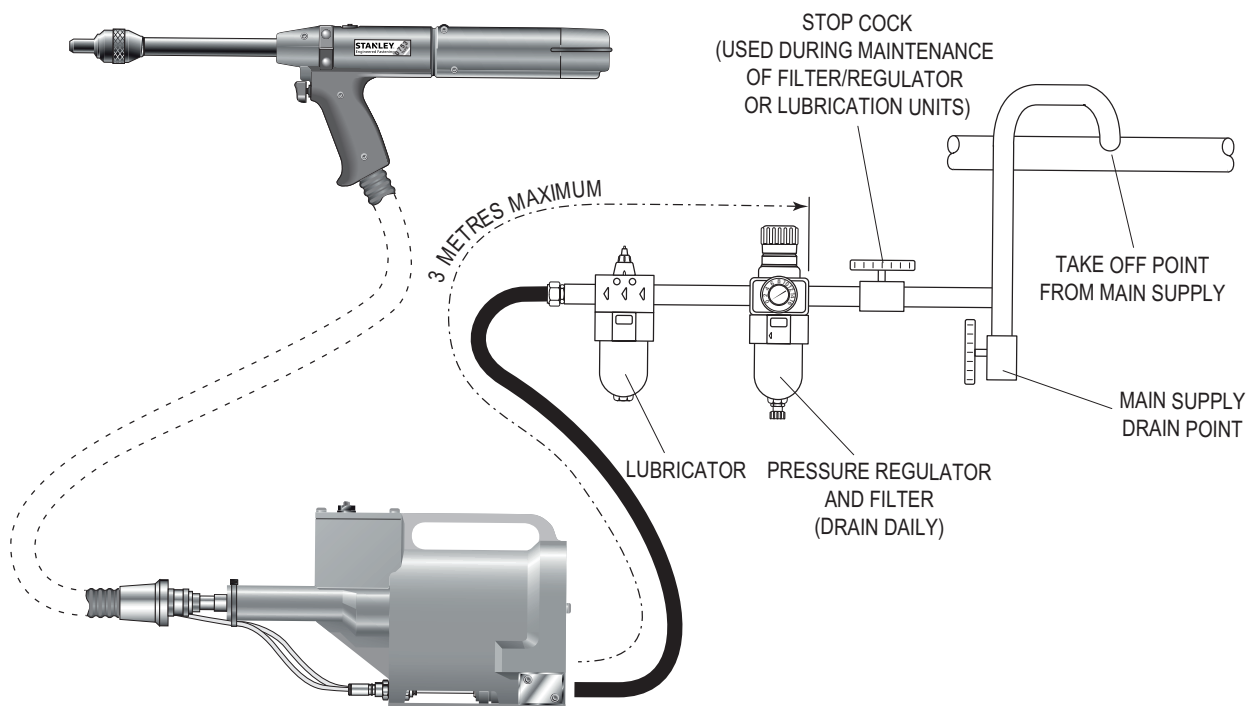
4. COLOCAR EM SERVIÇO

4.1 ALIMENTAÇÃO DE AR

Todas as ferramentas são operadas com ar comprimido a uma pressão ideal de 5,5 bar. Recomendamos o uso de reguladores de pressão e sistemas de filtragem/lubrificação automática na alimentação de ar principal. Para garantir a vida útil máxima da ferramenta e manutenção mínima da ferramenta, deverá ser ajustada dentro de 3 metros da ferramenta (confira o diagrama abaixo).

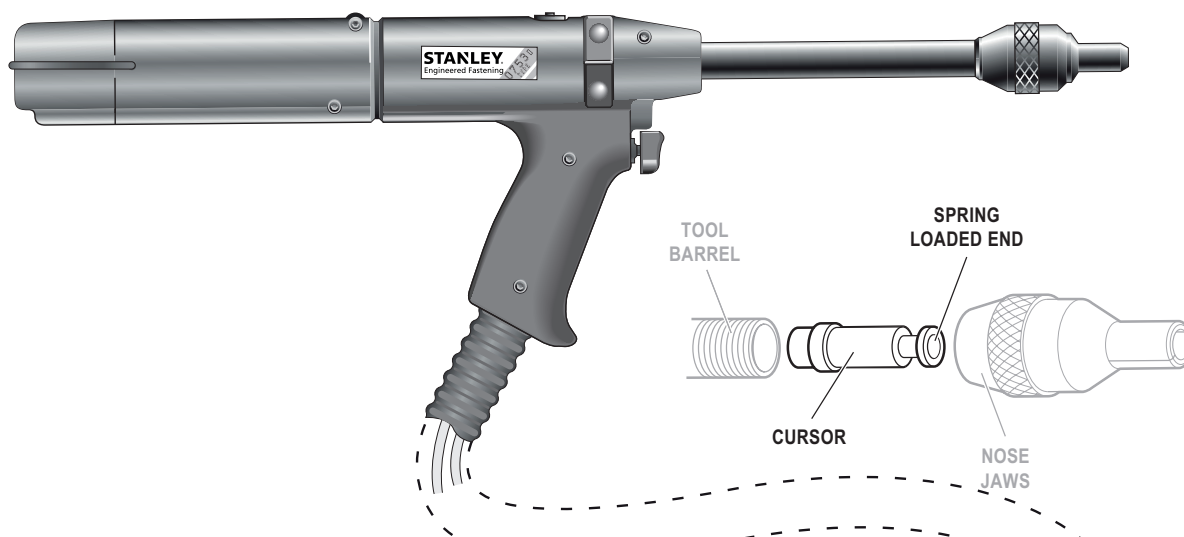
Mangueiras de alimentação de ar devem um nível mínimo de pressão efetiva operacional de 150% da pressão máxima produzida no sistema ou 10 bar, o que for mais alto. As mangueiras de ar devem ser à prova de óleo, ter um exterior resistente à abrasão, e blindadas, onde as condições operacionais possam danificá-las. Todas as mangueiras de ar PRECISAM ter um diâmetro interno mínimo de 6,4 milímetros ou 1/4 polegadas.

Leia os detalhes da manutenção diária na página 116.



Siga as etapas abaixo ao conectar a ferramenta no intensificador e alimentação de ar principal:

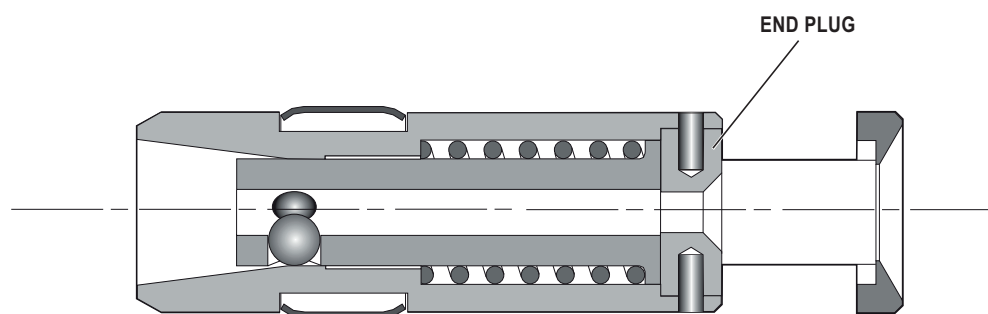
- Empurre a extremidade da mangueira hidráulica maior da ferramenta no conector de remoção rápida na extremidade do intensificador.
- Na face dianteira do intensificador:
 - Empurre a linha pneumática azul (diâmetro externo de 4mm) no encaixe do redutor que está localizado no lado esquerdo do conector de antepara.
 - Empurre a linha pneumática preta (diâmetro externo de 4mm) no colete de plástico no lado direito do conector de antepara.
- Encaixe uma mangueira pneumática entre o conector macho na traseira do intensificador e a alimentação de ar principal.



Para referência, há três tipos diferentes de cursores mecânicos:

- 07271-01100 Usado para mandris standard e mandris descartáveis 5/32"
- 07279-05843 Usado para mandris descartáveis 1/8"
- 07279-05845 Usado para mandris descartáveis 3/16"

A diferença nas montagens acima é o diâmetro interno do plugue de extremidade.



Eles são codificados por cores, veja abaixo:

NÚMERO DE PEÇA DO CURSOR MECÂNICO	NÚMERO DE PEÇA DO PLUGUE DE EXTREMIDADE	COR	DIÂMETRO DO ORIFÍCIO (mm)
07271-01100	07150-00402	AÇO SIMPLES	2,7
07279-05843	07159-05844	OURO	2,2
07279-05845	07159-05846	PRATA	3,3

4.2 CURSOR

IMPORTANTE

Se montado corretamente, o curso não permite alimentação de rebites.

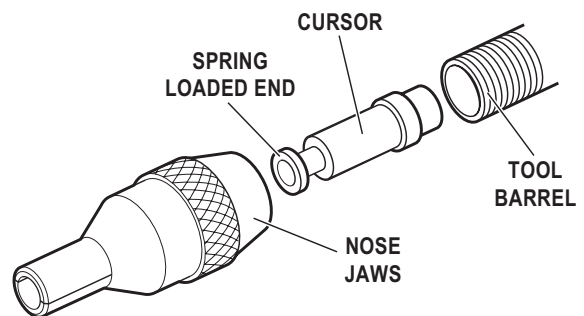
Enquanto o curso irá estar montado na direção correta quando a ferramenta é entregue, recomendamos que você verifique sua orientação antes de montar o equipamento do nariz. A extremidade do cursor, com carregamento por mola e ligeiramente côncava deve estar apontando para a frente da ferramenta, como exibido na ilustração.

Se montado na direção correta, o cursor desliza facilmente para fora do tambor quando o mandril é empurrado para seu centro e em seguida puxado para trás.

Para reverter a orientação do cursor, siga os passos seguintes:

Os números dos itens em **negrito** referem-se à lista de peças e do conjunto geral para tipo 07530-02200 MkII nas páginas 123-124. Para o tipo 07532-02200 MkII, o procedimento é igual, mas os números de peça devem ser obtidos do conjunto geral e da lista de peças nas páginas 125-126.

- Remova o grampo **47** e deslize a tampa final **38**.
- Usando uma chave Allen, remova um parafuso de cabeça cilíndrica **44** garantindo que qualquer ar preso seja removido. Remova o segundo parafuso de cabeça cilíndrica **44**.
- Puxe o plugue traseiro **46**.
- Puxe o conjunto do pistão da garra de cauda **14** junto com as garras **9**.
- Levante a mola **13** e a caixa da garra **8**.
- Insira um mandril no orifício na extremidade traseira da trava **25** até que saia pela dianteira da trava e puxe o mandril e o cursor juntos pela dianteira.
- Remonte os componentes na ordem inversa.
- Insira o conjunto do cursor mecânico **5** na dianteira da trava. Corrija o caminho.



4.3 CARREGANDO E RECARREGANDO A FERRAMENTA

IMPORTANTE

O procedimento para descarregar a ferramenta e o ajuste do equipamento do nariz para a ferramenta é integral.

Quando solicitar uma ferramenta ou sistema completo, você normalmente é fornecido com todo o equipamento do nariz necessário para o fixador ser colocado.

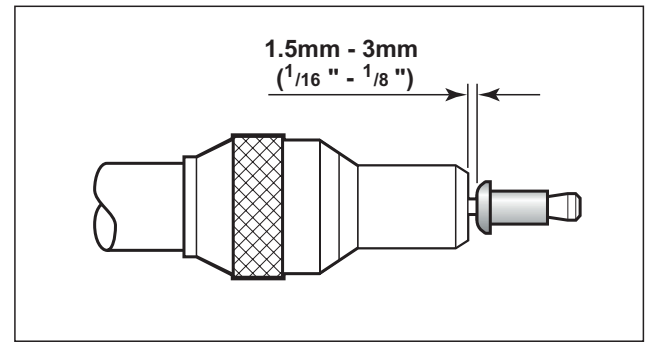
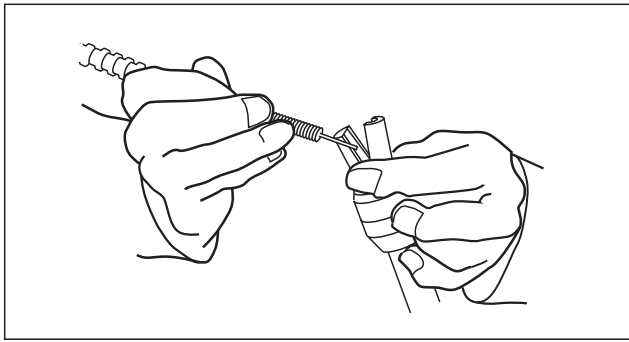
Para identificar os componentes do equipamento do nariz ou selecionar os elementos correto, leia a seção do equipamento do nariz no manual de acessórios (07900-09508).

Se você forneceu uma garra de nariz, mandris e molas do seguidor do mandril, continue com o carregamento da ferramenta e ajuste o equipamento do nariz conforme mostrado no folheto.

Os números dos itens em **negrito** referem-se à lista de peças e do conjunto geral para tipo 07530-02200 MkII nas páginas 123-124. Para o tipo 07532-02200 MkII, o procedimento é igual, mas os números de peça devem ser obtidos do conjunto geral e da lista de peças nas páginas 125-126.

Como carregar a ferramenta

- Conecte a alimentação de ar na ferramenta.
- Abra as garras de caudas **9** que seguram o mandril, desligando a chave da garra de cauda (itens **26** e **30**).
- Aparafuse as garras de cauda selecionadas no tambor **25** da ferramenta.
- Insira um mandril na extremidade da cauda dos fixadores através da bolsa de papel.
- Deslize o seguidor do mandril no mandril garantindo a orientação correta, como mostrado no manual de acessórios (número de peça 07900-09508).
- Segurando a extremidade da cauda do mandril, remova o saco de papel que está em volta dos fixadores.
- Abra as garras do nariz, ou girando o anel exterior nas garras operadas por came, ou empurrando para fora as extremidades das garras, como ilustrado infra à esquerda.
- Insira o mandril previamente montado, mola que segue o mandril e fixadores em as garras do nariz até que o primeiro fixador a ser colocado esteja saindo da garra do nariz.
- Feche as garras do nariz e ajuste para que o primeiro fixador saia cerca de 1,5mm a 3mm ($1/16''$ a $1/8''$), como mostrado na ilustração abaixo à direita.
- Feche as garras de caudas para garantir que o mandril seja fixado, ligando a chave da garra de cauda (itens **26** e **30**).



Como recarregar a ferramenta

- Abra as garras da cauda **9** da ferramenta.
- Abra as garras de nariz e puxe o mandril vazio e a mola do seguidor do mandril para fora da ferramenta.
- Recarregue a ferramenta seguindo as instruções acima, começando no estágio.

4,4 PROCEDIMENTO OPERACIONAL

IMPORTANTE

Você deve verificar que a orientação do cursor e o equipamento no nariz estejam corretos antes de tentar operar a ferramenta.

- Empurre o fixador, saindo das garras do nariz, totalmente nos orifícios da aplicação para garantir que a ferramenta seja mantida quadrada.
- Opere o gatilho sem liberar - o cabeçote do mandril é puxado pelo fixador, formando o fixador na aplicação.
- Remova a ferramenta.
- Solte o gatilho. O próximo fixador será apresentado automaticamente por meio das garras de nariz, prontas para aplicação.

4.5 EQUIPAMENTO DE APLICAÇÃO

Todo o equipamento do nariz, mandris, molas do seguidor e outros acessórios podem ser encontrados no manual de acessórios (número de peça 07900-09508).

Os números dos itens em **negrito** referem-se à lista de peças e do conjunto geral para tipo 07530-02200 MkII nas páginas 123-124. Para o tipo 07532-02200 MkII, o procedimento é igual, mas os números de peça devem ser obtidos do conjunto geral e da lista de peças nas páginas 125-126.

5. MANUTENÇÃO DA FERRAMENTA

Manutenções regulares devem ser executadas e uma inspeção abrangente precisa ser realizada anualmente ou a cada 500.000 ciclos, ou o que ocorrer primeiramente.

IMPORTANTE

O empregador é responsável por certificar que as instruções de manutenção da ferramenta são entregues ao pessoal apropriado.

O operador não deve estar envolvido em a manutenção ou reparação da ferramenta, exceto se tem o treinamento adequado.

5.1 DIARIAMENTE

- Diariamente antes do uso ou quando colocar a ferramenta em serviço pela primeira vez. Coloque algumas gotas de óleo lubrificante leve e limpo na entrada de ar do intensificador, se não houver nenhum lubrificador montado na alimentação de ar. Se a ferramenta estiver em uso contínuo, a mangueira de ar deve ser desligada da fonte de alimentação de ar e a ferramenta lubrificada a cada duas até três horas.
- Verifique se há vazamentos de ar e óleo. Se deve substituir tubos e acoplamentos com dano.
- Se não houver um filtro no regulador de pressão, purgue o tubo de ar para limpá-lo de água e sujeira acumuladas antes de conectar a mangueira de ar ao intensificador. Se houver um filtro, drene-o.
- Confira que o equipamento do nariz está correto.
- Confira os mandris regularmente por sinais de desgaste ou danos monitorando o número de posicionamentos (leia as instruções de segurança na página 106-108).

5.2 SEMANALMENTE

- Conduza os procedimentos "Diários" completos como descrito acima.
- Remova, inspecione, limpe e lubrifique as garras da cauda (consulte "Cilindro da garra da cauda" na "Seção de Manutenção", página 118).
- Confira se o nível de óleo no reservatório da unidade do intensificador é de aproximadamente 12mm (1/2") abaixo da placa de cobertura transparente.

⚠ CUIDADO: Nunca use solventes ou outros produtos químicos para a limpeza das partes não metálicas da ferramenta. Esses produtos químicos podem enfraquecer os materiais utilizados em essas partes

5.3 DADOS DE SEGURANÇA DA GRAXA MOLILÍCIO EP 3753

Pode encomendar a graxa como um artigo único, o número de peça se encontra no Conjunto de Manutenção na página 117.

Primeiros Socorros

PELE:

Como a graxa é completamente resistente a água, é melhor remover com um creme de limpeza de pele emulsionante aprovado.

INGESTÃO:

Se certifique que tem bebidas individuais 30ml de Leite de Magnésio, preferencialmente em um copo de leite.

OLHOS:

Irritante mas não prejudicial. Irrigue com água e procure um médico.

Fogo

PONTO DE IGNIÇÃO: Acima de 220°C.

Não classificado como inflamável.

Agente de extinção apropriado: CO₂, Halon ou pulverização de água se aplicado por um operador experiente.

Meio-ambiente

Recolha para incineração ou descarte em local aprovado.

Manuseio

Use creme de proteção ou luvas resistentes a óleo

Armazenamento

Afastado de agentes de calor e oxidação.

5.4 CONJUNTO DE MANUTENÇÃO

Para todas as manutenções, recomendamos o uso do kit de serviço (número de peça 07900-05300).

CONJUNTO DE MANUTENÇÃO					
Nº DA PEÇA DO ITEM	DESCRIÇÃO	Nº DESLIGADO	Nº DA PEÇA DO ITEM	DESCRIÇÃO	Nº DESLIGADO
07900-00157	ALICATES GRAMPO	1	07900-00352	GANCHO DE REMOÇÃO DA VEDAÇÃO	1
07900-00006	ESPÁTULA	1	07900-00710	CHAVE DE REMOÇÃO DO PLUGUE DO TAMBOR	1
07900-00446	EXTRATOR	1	07900-00725	BALA	1
07900-00603	GARRAS DO TORNO DO TAMBOR	1	07900-00243	CHAVE DE FENDAS	1
07900-00520	3/8" ROD	1	07900-00717	CHAVE DO INTENSIFICADOR	1
07900-00521	1/4" ROD	1	07900-00013	CHAVE ALLEN 1/8"	1
07900-00602	BALA DO CONJUNTO DO ANEL O	1	07900-00617	PACOTE MULTIGAXETAS LOCTITE 574 50ml	1
07900-00595	CHAVE 18mm	1	07900-00469	CHAVE ALLEN 2,5mm	1
07900-00434	CHAVE 32mm	1	07900-00351	CHAVE ALLEN 3mm	1
07900-00237	CHAVE 3/8" x 5/16" B.S.W.	1	07900-00224	CHAVE ALLEN 4mm	1
07900-00012	CHAVE 9/16" x 5/8"	1	07900-00225	CHAVE ALLEN 5mm	1
07900-00008	CHAVE 7/16" x 1/2"	1	07992-00020	LATA DE GRAXA DE MOLILÍTIO 80g EP 3753	1

Nota: Os tamanhos das chaves são medidos entre planos, a menos especificado em contrário.

6. MANUTENÇÃO

A cada 500.000 ciclos a ferramenta deve ser totalmente desmontada e usar novos componentes para substituir os gastos, danificados ou conforme recomendado. Todos os anéis O e vedantes devem ser substituídos e lubrificados com graxa de molilítio EP 3753 antes de montar.

IMPORTANTE

As instruções de segurança aparecem na página 106 - 108.

O empregador é responsável por certificar que as instruções de manutenção da ferramenta são entregues ao pessoal apropriado.

O operador não deve estar envolvido em a manutenção ou reparação da ferramenta, exceto se tem o treinamento adequado.

As linhas suspensas devem ser desconectadas antes de qualquer manutenção ou desmontagem, a menos instruído em contrário.

Recomendamos que qualquer operação de desmontagem seja realizada em condições limpas.

Desmontagem do 07530 MkII e 07532 MkII são cobertos separadamente. Para o 07530 MkII, confira os procedimentos de desmontagem abaixo e para o 07532 MkII, confira as páginas 118-120. Os números dos itens em negrito referem-se às listas de peças e do conjunto geral para o respectivo modelo nas páginas 123-126.

Antes de desmontar a ferramenta, você precisará remover o equipamento do nariz.

Para a manutenção completa da ferramenta, aconselhamos realizar a desmontagem dos subconjuntos conforme mostrado abaixo depois de desconectar a mangueira hidráulica da unidade do intensificador e a linha de ar do gatilho da válvula do intensificador, separando a unidade do pistão da unidade do intensificador.

Substâncias possivelmente perigosas que podem ser depositadas na máquina como resultado dos processos de trabalho devem ser removidas antes da manutenção.

6.1 DESMONTAGEM 07530-02200 MKII

Para desmontar o 07532-02200 MkII, consulte as páginas 120-122.

CILINDRO DA GARRA DE CAUDA

- Gire manualmente o grampo **47** e remova a tampa final **38**.
- Usando uma chave Allen*, remova um parafuso **44**, garantindo que qualquer ar preso no cilindro da garra de cauda seja removido. Remova o segundo parafuso de cabeça cilíndrica **44**.
- Puxe o plugue traseiro **46**.
- Extraia os componentes da garra de cauda, incluindo conjunto do pistão da garra de cauda **14**, mola **13**, garras **9** e caixa da garra **8**.
- Remova o plugue na traseira do conjunto do pistão usando a chave Allen* e uma barra por meio da entrada grande no tambor.
- Limpe o tambor usando uma broca de 4,7mm ($\frac{3}{16}$ " e substitua o plugue usando um composto de vedação não-rígido, por exemplo, Loctite Multi-gaxeta 574*.
- Remova o anel O **10** da vedação do pistão.
- Usando uma chave Allen*, remova os cinco moldes da alça prendendo os parafusos **34**, **39** e as porcas **33** da alça da ferramenta.
- Segure o tambor **25** em um torno usando garras macias para evitar danos.
- Usando uma chave de boca*, desparafuse o plugue do tambor **7**, impedindo que o tambor **25** gire usando uma chave de boca fixa*.
- Desconecte o tubo concertina **12** da garra de cauda de ar do bloco de chaves **28** e puxe o cilindro **6** da garra de cauda da ferramenta.
- Remova o anel O **4**, a fita de proteção **15** e a mola de retorno do tambor **16**.
- O comprimento livre da mola **13** deve ser de 38,1mm (1,5"). Substitua, se necessário.

* Consulte os itens incluídos no conjunto de manutenção 0753 MkII. Para obter uma lista completa, confira a página 117. Os números dos itens em **negrito** referem-se à lista de peças e conjunto geral nas páginas 125-126.

- Revista as garras de cauda com graxa molilítio antes de montar.
- Monte na ordem inversa da desmontagem.

PISTÃO HIDRÁULICO

- Remova o cilindro da garra de cauda **6** como descrito anteriormente.
- Segure a caixa **19** em um torno usando garras macias para evitar danos, desfaça o limitador de curso **17**.
- Segure o tambor **25** no torno de garras macias, puxe a caixa **19** do tambor **25** (uma pequena quantidade de óleo hidráulico será ejetado do interior do corpo).
- Remova o pistão **18** cuidadosamente para não danificar o núcleo da caixa.
- Remova a vedação **3**.
- A vedação **1** é difícil de remover sem danificar, mas pode permanecer no lugar durante a limpeza (desde que não seja afetado pelo processo de limpeza). No entanto, se a vedação **1** exigir renovação, faça o seguinte:
- Usando a espátula*, retire a vedação **1** da caixa **19**, cuidando para não danificar a cavidade da caixa e os núcleos. A vedação **1** removida DEVE ser descartada.
- Para substituir a vedação **1**, desparafuse o conjunto de tubos hidráulicos **22** e encaixe um conjunto plugue de sangria de reposição **2** aparafusando para nivelar a face interna com o orifício interno.
- Desparafuse o plugue de sangria existente até que a face interna esteja nivelada com o núcleo interno. Isso fornecerá uma passagem suave para inserção da nova vedação **1** pela traseira da caixa.
- Garanta que a vedação esteja bem lubrificada e a forma correta redonda com a extremidade aberta da vedação esteja virada para a garra de cauda traseira.
- Monte completamente na ordem inversa da desmontagem.

CONJUNTO DO GATILHO

- Para desmontar/reparar o conjunto, remova as tampas da ferramenta conforme descrito anteriormente.
- Desconecte as mangueiras de ar do conjunto, com cuidado para não danificar. Remova o conjunto.
- Usando uma chave*, desparafuse o retentor **49** e remova. Cuidado para manter a mola **50**.
- Retire o anel O **53** cuidando para não danificar as bases do eixo **54** e o retentor **49**.
- Limpe e remonte usando um novo anel O **53**.
- Confira o comprimento da mola **50** que deve ter 12,7mm (0,5") de comprimento livre – substitua, se necessário.
- Monte na ordem inversa da desmontagem.

VÁLVULA LIGA/DESLIGA DA GARRA DE CAUDA

- A unidade é elaborada para que o mínimo de manutenção seja necessário durante a vida útil da ferramenta.
- Se for necessário desmontar a válvula, proceda da seguinte forma:
- Desconecte a mangueira de ar do conjunto, com cuidado para não danificar. Remova o conjunto.
- Usando uma chave Allen*, afrouxe o parafuso **27** fixando o conjunto no tambor **25** e remova o conjunto.
- Usando uma chave de fenda*, remova cuidadosamente a arruela de trava em estrela cromada **26** do carretel da garra de cauda de ar **29** e descarte-a.
- Extraia o carretel da garra de cauda de ar **29** do bloco de chaves **28**.
- Com cuidado para não danificar o carretel da garra de cauda de ar **29**, remova os anéis O **31**.
- Limpe o carretel e encaixe novos anéis O **31** usando a bala do conjunto* e insira no bloco de chaves **28**, observando sua orientação.
- Ajuste a nova arruela de bloqueio estrela cromada **26** fixando o torno usando as garras macias para impedir danos. NÃO USE FORÇA INDEVIDA.
- Monte completamente na ordem inversa da desmontagem.

* Consulte os itens incluídos no conjunto de manutenção 0753 MkII. Para obter uma lista completa, confira a página 117. Os números dos itens em **negrito** referem-se à lista de peças e conjunto geral nas páginas 125-126.

VÁLVULA DE NÃO RETORNO DE PRESSÃO DA GARRA DE CAUDA

- A válvula de não retorno **21** está localizada na alça da ferramenta.
- Para remover/substituir a válvula de não retorno **21**, pressione os encaixes da cabeça cônica e retire o tubo de plástico azul **23** de ambas as extremidades.
- Quando substituir a válvula de não retorno **21**, observe a orientação.

ALÇA E TAMPA FINAL

- Limpe e inspecione os moldes por rachaduras e outros danos.

CURSOR

- Limpe e lubrifique o conjunto do cursor mecânico **5** ocasionalmente com um pouco de óleo leve.

IMPORTANTE

**Confira a ferramenta por serviço diário e semanal.
A escorva é SEMPRE necessária após a ferramenta ser desmontada e antes da abertura.**

6.2 DESMONTAGEM 07532-02200 MKII

Para desmontar o 07530-02200 MkII, consulte as páginas 118-120.

CILINDRO DA GARRA DE CAUDA

- Gire manualmente o grampo **54** e remova a tampa final **45**.
- Usando uma chave Allen*, remova um parafuso **51**, garantindo que qualquer ar preso no cilindro da garra de cauda seja removido. Remova o segundo parafuso de cabeça cilíndrica **51**.
- Empurre o plugue traseiro **53** para frente contra a mola **20** e libere rapidamente para permitir que o plugue traseiro **53** se afaste.
- Extraia os componentes da garra de cauda, incluindo conjunto do pistão da garra de cauda **21**, mola **20**, garras **16** e caixa da garra **15**.
- Remova o plugue na traseira do conjunto do pistão usando a chave Allen* e uma barra por meio da entrada grande no tambor.
- Limpe o tambor usando uma broca de 4,7mm ($3/16''$) e substitua o plugue usando um composto de vedação não-rígido, por exemplo, Loctite Multi-gaxeta 574*.
- Remova o anel O **17** da vedação do pistão.
- Usando uma chave Allen*, remova os cinco moldes da alça prendendo os parafusos **41**, **46** e as porcas **40** da alça da ferramenta.
- Segure o tambor **31** em um torno usando garras macias para evitar danos.
- Usando uma chave de boca*, desparafuse o plugue do tambor **14**, impedindo que o tambor **31** gire usando uma chave de boca fixa*.
- Desconecte o tubo concertina **19** da garra de cauda de ar do bloco de chaves **35** e puxe o cilindro **12** da garra de cauda da ferramenta.
- Remova o anel O **10**, a fita de proteção **22** e a mola de retorno do tambor **13**.
- O comprimento livre da mola **20** deve ser de 38,1mm (1,5"). Substitua, se necessário.
- Revista as garras de cauda com graxa molilítio antes de montar.
- Monte na ordem inversa da desmontagem.

PISTÃO HIDRÁULICO

- Remova o cilindro da garra de cauda **12** como descrito anteriormente.

* Consulte os itens incluídos no conjunto de manutenção 0753 MkII. Para obter uma lista completa, confira a página 117. Os números dos itens em **negrito** referem-se à lista de peças e conjunto geral nas páginas 125-126.

- Segure a caixa **25** em um torno usando garras macias para evitar danos, desfaça o limitador de curso **23**.
- Segure o tambor **31** no torno de garras macias, puxe a caixa **25** do tambor **31** (uma pequena quantidade de óleo hidráulico será ejetado do interior do corpo).
- Remova o pistão **24** cuidadosamente para não danificar o núcleo da caixa.
- Remova a vedação **9**.
- A vedação **1** é difícil de remover sem danificar, mas pode permanecer no lugar durante a limpeza (desde que não seja afetado pelo processo de limpeza). No entanto, se a vedação **1** exigir renovação, faça o seguinte:
- Usando a espátula*, retire a vedação **1** da caixa **25**, cuidando para não danificar a cavidade da caixa e os núcleos. A vedação **1** removida DEVE ser descartada.
- Para substituir a vedação **1**, desconecte o conjunto de tubos hidráulicos **63** e todos os tubos de ar associados. Desparafuse o acoplador autofechante **6**, remova a placa de montagem da suspensão **4**, desparafuse o mangueira superior do adaptador **2** e encaixe um conjunto de plugue de sangria **30** reserva desparafusando para nivelar a face interna ao orifício interno.
- Desparafuse o plugue de sangria existente até que a face interna esteja nivelada com o núcleo interno. Isso fornecerá uma passagem suave para inserção da nova vedação **1** pela traseira da caixa.
- Garanta que a vedação esteja bem lubrificada e a forma correta redonda com a extremidade aberta da vedação esteja virada para a garra de cauda traseira.
- Monte completamente na ordem inversa da desmontagem.

CONJUNTO DO GATILHO

- Para desmontar/reparar o conjunto, remova as tampas da ferramenta conforme descrito anteriormente.
- Desconecte as mangueiras de ar do conjunto, com cuidado para não danificar. Remova o conjunto.
- Usando uma chave*, desparafuse o retentor **56** e remova. Cuidado para manter a mola **57**.
- Retire o anel O **60** cuidando para não danificar as bases do eixo **61** e o retentor **56**.
- Limpe e remonte usando um novo anel O **60**.
- Confira o comprimento da mola **57** que deve ter 12,7mm (0,5") de comprimento livre – substitua, se necessário.
- Monte na ordem inversa da desmontagem.

VÁLVULA LIGA/DESLIGA DA GARRA DE CAUDA

- A unidade é elaborada para que o mínimo de manutenção seja necessário durante a vida útil da ferramenta.
- Se for necessário desmontar a válvula, proceda da seguinte forma:
- Desconecte a mangueira de ar do conjunto, com cuidado para não danificar. Remova o conjunto.
- Usando uma chave Allen*, afrouxe o parafuso **34** fixando o conjunto no tambor **31** e remova o conjunto.
- Usando uma chave de fenda*, remova cuidadosamente a arruela de trava em estrela cromada **33** do carretel da garra de cauda de ar **36** e descarte-a.
- Extraia o carretel da garra de cauda de ar **36** do bloco de chaves **35**.
- Com cuidado para não danificar o carretel da garra de cauda de ar **36**, remova os anéis O **38**.
- Limpe o carretel e encaixe novos anéis O **38** usando a bala do conjunto* e insira no bloco de chaves **35**, observando sua orientação.
- Ajuste a nova arruela de bloqueio estrela cromada **33** fixando o torno usando as garras macias para impedir danos. NÃO USE FORÇA

INDEVIDA.

- Monte completamente na ordem inversa da desmontagem.

* Consulte os itens incluídos no conjunto de manutenção 0753 MkII. Para obter uma lista completa, confira a página 117. Os números dos itens em **negrito** referem-se à lista de peças e conjunto geral nas páginas 125-126.

VÁLVULA DE NÃO RETORNO DE PRESSÃO DA GARRA DE CAUDA

- A válvula de não retorno **26** está localizada na alça da ferramenta.
- Para remover/substituir a válvula de não retorno **26**, pressione os encaixes da cabeça cônica e retire o tubo de plástico azul **27** de ambas as extremidades.
- Quando substituir a válvula de não retorno **26**, observe a orientação.

ALÇA E TAMPA FINAL

- Limpe e inspecione os moldes por rachaduras e outros danos.

CURSOR

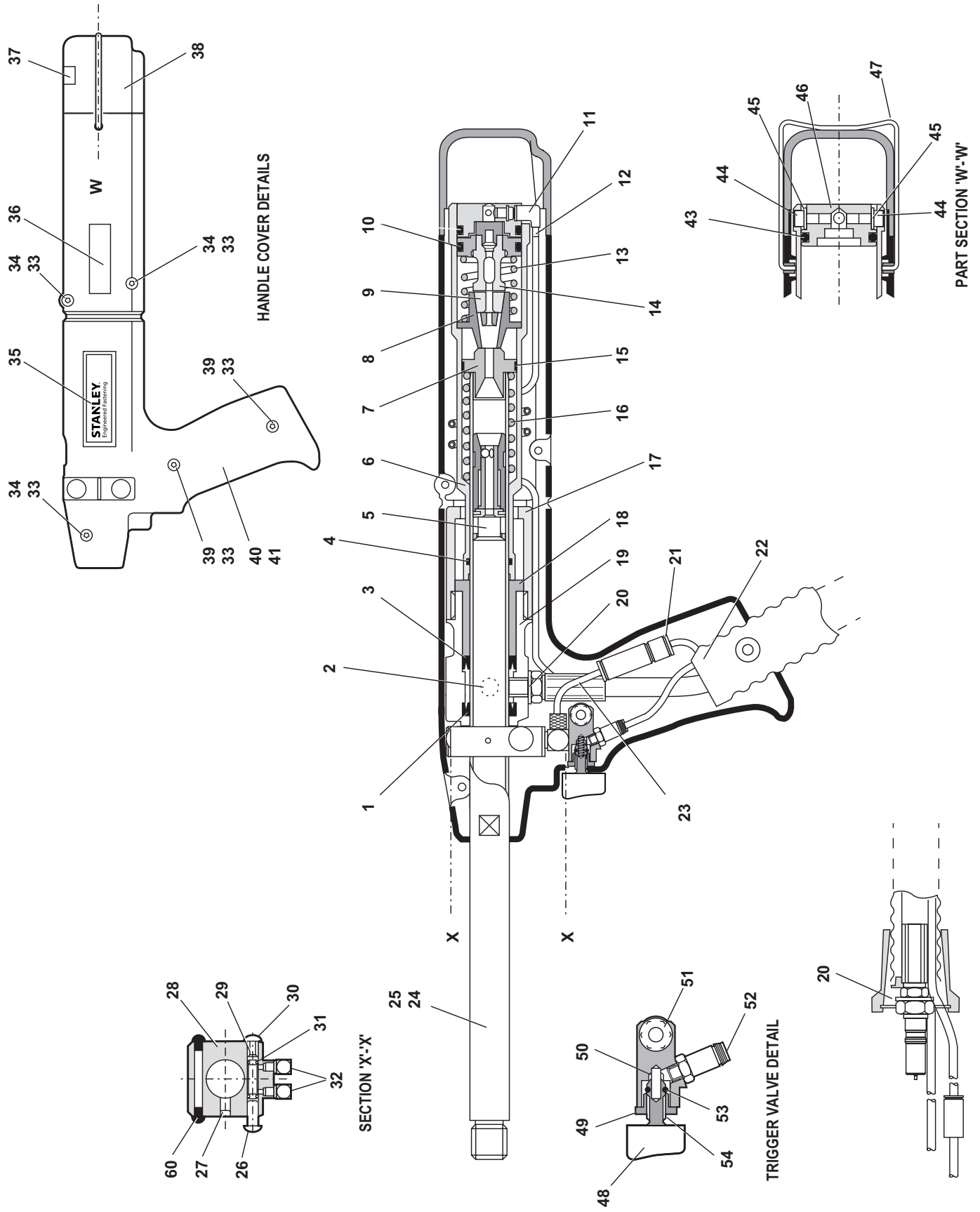
- Limpe e lubrifique o conjunto do cursor mecânico **11** ocasionalmente com um pouco de óleo leve.

IMPORTANTE

**Confira a ferramenta por serviço diário e semanal.
A escorva é SEMPRE necessária após a ferramenta ser desmontada e antes da abertura.**

* Consulte os itens incluídos no conjunto de manutenção 0753 MkII. Para obter uma lista completa, confira a página 117. Os números dos itens em **negrito** referem-se à lista de peças e conjunto geral nas páginas 125-126.

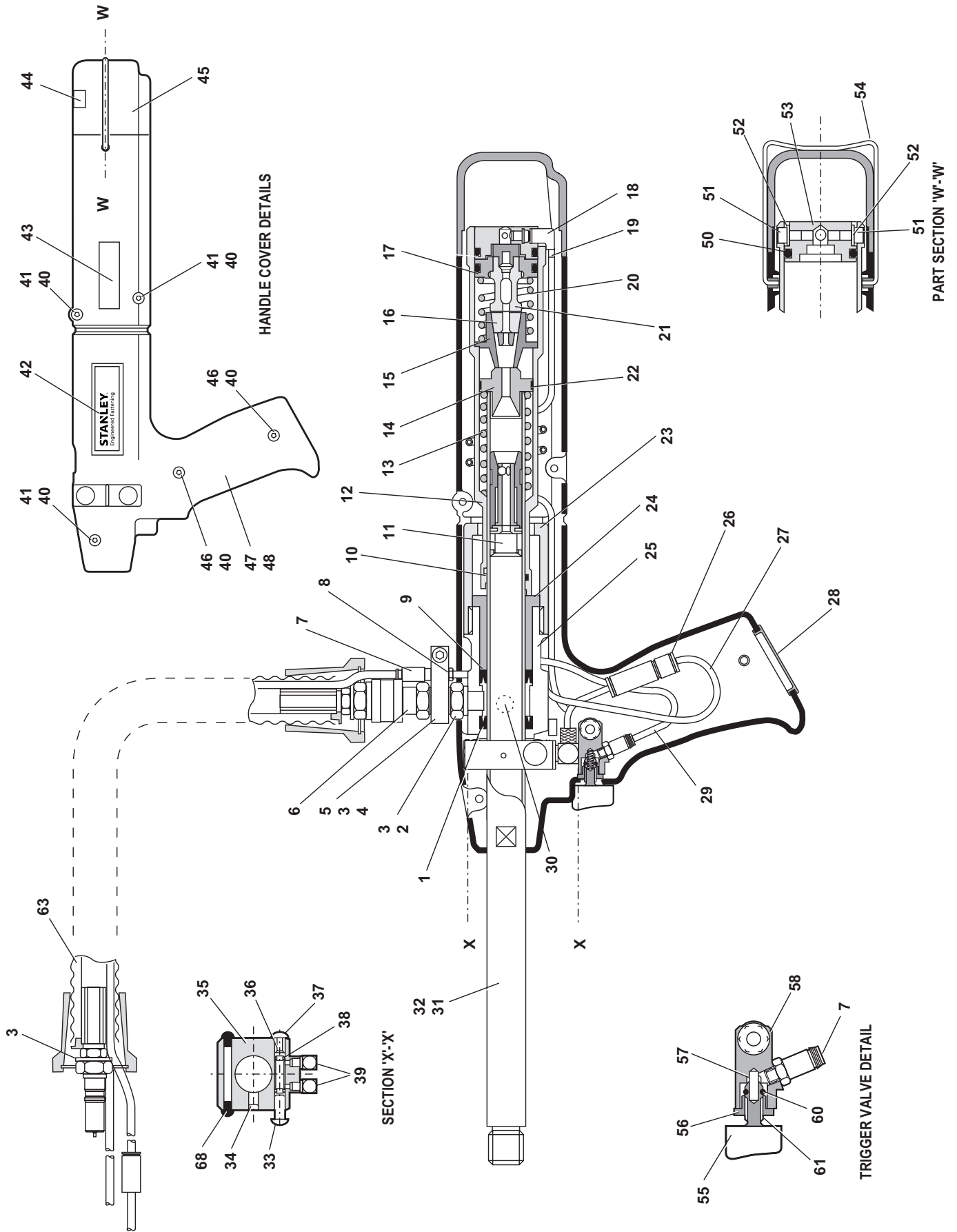
6.3 CONJUNTO GERAL DA FERRAMENTA DE BASE 07530-02200 MKII



6.4 LISTA DE PEÇAS PARA FERRAMENTA DE BASE 07530-02200 MKII

07530-02200 LISTA DE PEÇAS											
ITEM	Nº DE PEÇA	DESCRIÇÃO	QTD	PEÇAS DE REPOSIÇÃO	ITEM	Nº DE PEÇA	DESCRIÇÃO	QTD	PEÇAS DE REPOSIÇÃO	QTD	PEÇAS DE REPOSIÇÃO
1	07003-00237	VEDAÇÃO (ESTÁTICA)	1	-	30	07004-00059	ARRUELA DE BLOQUEIO ESTRELA 1/8" PRETA	1	-	1	-
2	07530-00500	CONJUNTO DO PLUGUE DE SANGRIA (ITENS 56 A 59)	1	-	31	07003-00121	ANEL O	2	-	2	3
3	07003-00236	VEDAÇÃO (DINÂMICA)	1	1	32	07005-01571	CONECTOR DO COTOVELO	2	-	2	-
4	07003-00167	ANEL O	1	1	33	07002-00134	PORCA SEXTAVADA M4	5	-	5	-
5	07271-01100	CONJUNTO DO CURSOR MECÂNICO	1	-	34	07001-00401	PARAFUSO DE CABEÇA SOQUETE M4 x 10 LONGO	3	-	3	-
6	07530-02207	CILINDRO DA GARRA DE CAUDA	1	-	35	07530-02210	ETIQUETA	2	-	2	-
7	07530-02205	PLUGUE DO TAMBOR	1	-	36	07007-01504	ETIQUETA DE MARCAÇÃO DA CE	1	-	1	-
8	07530-00208	CAIXA DA GARRA	1	-	37	73200-02022	RÓTULO DE SEGURANÇA	1	-	1	-
9	07151-00403	GARRAS	2	2	38	07530-02603	TAMPA FINAL	1	-	1	-
10	07003-00113	ANEL O	1	2	39	07001-00262	PARAFUSO DE CABEÇA SOQUETE M4 x 22 LONGO	2	-	2	-
11	07005-01972	BICO ROSQUEADO TIPO L	1	-	40	07530-02601	MOLDE DE ALÇA MODIFICADA (DIREITO)	1	-	1	-
12	07530-02211	TUBO CONCERTINA DA GARRA DE CAUDA DE AR	1	-	41	07530-02602	MOLDE DE ALÇA MODIFICADA (ESQUERDO)	1	-	1	-
13	07154-00404	MOLA	1	-	43	07003-00113	ANEL O	1	-	1	-
14	07530-02800	CONJUNTO DO PISTÃO DA GARRA DE CAUDA	1	-	44	07001-00504	PARAFUSO DE CABEÇA SOQUETE M4 x 6 LONGO	2	-	2	2
15	07530-00206	FITA DE PROTEÇÃO	1	1	45	07002-00153	ARRUELA M4 PLÁSTICA	2	-	2	-
16	07490-03002	MOLA DE RETORNO DO TAMBOR	1	-	46	07530-02213	PLUGUE TRASEIRO	1	-	1	-
17	07530-00204	LIMITADOR DE CURSO	1	-	47	07530-02220	GRAMPO	1	-	1	-
18	07530-00203	PISTÃO	1	-	48	07007-00300	BOTÃO DE DISPARO	1	-	1	-
19	07530-02202	CAIXA	1	-	49	07220-00803	FIXADOR	1	-	1	-
20	07003-00142	VEDAÇÃO METALIZADA 1/8" BSP	2	2	50	07125-00215	MOLA	1	-	1	-
21	07005-01973	VÁLVULA DE NÃO RETORNO	1	-	51	07530-02311	ALOJAMENTO DE DISPARO	1	-	1	-
22	07008-00423	CONJUNTO DE TUBOS HIDRÁULICOS	1	-	52	07005-01357	CONECTOR TIPO COLETE	1	-	1	-
23	07005-01083	TUBO PLÁSTICO AZUL 4mm DE	60 mm	-	53	07003-00022	ANEL O	1	-	1	-
24	07007-00017	GUARDA PÓ	1	-	54	07241-00208	MANDRIL	1	-	1	-
25	07530-02201	TAMBOR	1	-	56	07003-00142	● VEDAÇÃO METALIZADA	1	-	1	1
26	07004-00058	ARRUELA DE BLOQUEIO ESTRELA 1/8" CROMADA	1	-	57	07003-00194	● VEDAÇÃO METALIZADA	1	-	1	1
27	07001-00404	PARAFUSO DE CABEÇA SOQUETE M5 x 6 LONGO	1	-	58	07001-00442	● TRAVA	1	-	1	-
28	07530-02301	BLOCO ALTERNADO	1	-	59	07530-00501	● PLUGUE	1	-	1	-
29	07530-02302	CARRETEL DA GARRA DE CAUDA DE AR	1	-	60	07530-00310	PLUGUES OBTURADORES	2	-	2	-

6.5 CONJUNTO GERAL DA FERRAMENTA DE BASE 07532-02200 MKII



6.6 LISTA DE PEÇAS PARA FERRAMENTA DE BASE 07532-02200 MKII

07532-02200 LISTA DE PEÇAS										
ITEM	Nº DE PEÇA	DESCRIÇÃO	QTD	PEÇAS DE REPOSIÇÃO	ITEM	Nº DE PEÇA	DESCRIÇÃO	QTD	PEÇAS DE REPOSIÇÃO	ITEM
1	07003-00237	VEDAÇÃO (ESTÁTICA)	1	-	34	07001-00404	PARAFUSO DE CABEÇA SOQUETE M5 x 6 LONGO	1	-	
2	07532-00203	MANGUEIRA SUPERIOR DO ADAPTADOR	1	-	35	07530-02301	BLOCO ALTERNADO	1	-	
3	07003-00142	VEDAÇÃO METALIZADA 1/8" BSP	4	2	36	07530-02302	CARTEL DA GARRA DE CAUDA DE AR	1	-	
4	07532-02202	PLACA DE MONTAGEM DE SUSPENSÃO	1	-	37	07004-00059	ARRUELA DE BLOQUEIO ESTRELA 1/8" PRETA	1	-	
5	07532-00205	PARAFUSO MODIFICADO	1	-	38	07003-00121	ANEL O	2	3	
6	07005-00759	ACOPLADOR AUTOFECHANTE	1	-	39	07005-01571	CONECTOR DO COTOVELO	2	-	
7	07005-01357	CONECTOR TIPO COLETE	3	-	40	07002-00134	PORCA SEXTAVADA M4	5	-	
8	07005-01325	CONECTOR RETO REBARBADO	2	-	41	07001-00401	PARAFUSO DE CABEÇA SOQUETE M4 x 10 LONGO	3	-	
9	07003-00236	VEDAÇÃO (DINÂMICA)	1	1	42	07530-02210	ETIQUETA	2	-	
10	07003-00167	ANEL O	1	1	43	07007-01504	ETIQUETA DE MARCAÇÃO DA CE	1	-	
11	07271-01100	CONJUNTO DO CURSOR MECÂNICO	1	-	44	73200-02022	RÓTULO DE SEGURANÇA	1	-	
12	07530-02207	CILINDRO DA GARRA DE CAUDA	1	-	45	07530-02603	TAMPA FINAL	1	-	
13	07490-03002	MOLA DE RETORNO DO TAMBOR	1	-	46	07001-00262	PARAFUSO DE CABEÇA SOQUETE M4 x 22 LONGO	2	-	
14	07530-02205	PLUGUE DO TAMBOR	1	-	47	07532-02208	MOLDE DE ALÇA MODIFICADA (DIREITO)	1	-	
15	07530-00208	CAIXA DA GARRA	1	-	48	07532-02209	MOLDE DE ALÇA MODIFICADA (ESQUERDO)	1	-	
16	07151-00403	GARRAS	2	2	50	07003-00113	ANEL O	1	-	
17	07003-00113	ANEL O	1	2	51	07001-00504	PARAFUSO DE CABEÇA SOQUETE M4 x 6 LONGO	2	2	
18	07005-01972	BICO ROSQUEADO TIPO L	1	-	52	07002-00153	ARRUELA M4 PLÁSTICA	2	-	
19	07530-02211	TUBO CONCERTINA DA GARRA DE CAUDA DE AR	1	-	53	07530-02213	PLUGUE TRASEIRO	1	-	
20	07154-00404	MOLA	1	-	54	07530-02220	GRAMPO	1	-	
21	07530-02800	CONJUNTO DO PISTÃO DA GARRA DE CAUDA	1	-	55	07007-00300	BOTÃO DE DISPARO	1	-	
22	07530-00206	FITA DE PROTEÇÃO	1	1	56	07220-00803	FIXADOR	1	-	
23	07530-00204	LIMITADOR DE CURSO	1	-	57	07125-00215	MOLA	1	-	
24	07530-00203	PISTÃO	1	-	58	07530-02311	ALOJAMENTO DE DISPARO	1	-	
25	07530-02202	CAIXA	1	-	60	07003-00022	ANEL O	1	-	
26	07005-01973	VÁLVULA DE NÃO RETORNO	1	-	61	07241-00208	MANDRIL	1	-	
27	07005-01083	TUBO PLÁSTICO AZUL 4mm DE	350 mm	-	63	07008-00414	CONJUNTO DE TUBOS HIDRÁULICOS	1	-	
28	07532-02215	PLUGUE DE VEDAÇÃO	1	-	64	07003-00142	●VEDAÇÃO METALIZADA	1	1	
29	07005-01084	TUBO PLÁSTICO PRETO 4mm DE	220 mm	-	65	07003-00194	●VEDAÇÃO METALIZADA	1	1	
30	07530-00500	CONJUNTO DO PLUGUE DE SANGRIA (ITENS 64 A 67)	1	-	66	07001-00442	●TRAVA	1	-	
31	07530-02201	TAMBOR	1	-	67	07530-00501	●PLUGUE	1	-	
32	07007-00017	GUARDA PÓ	1	-	68	07530-00310	PLACA DO OBTURADOR	2	-	
33	07004-00058	ARRUELA DE BLOQUEIO ESTRELA 1/8" CROMADA	1	-						

6.7 INTENSIFICADOR 07531-02200 - MANUTENÇÃO

Instruções de desmontagem

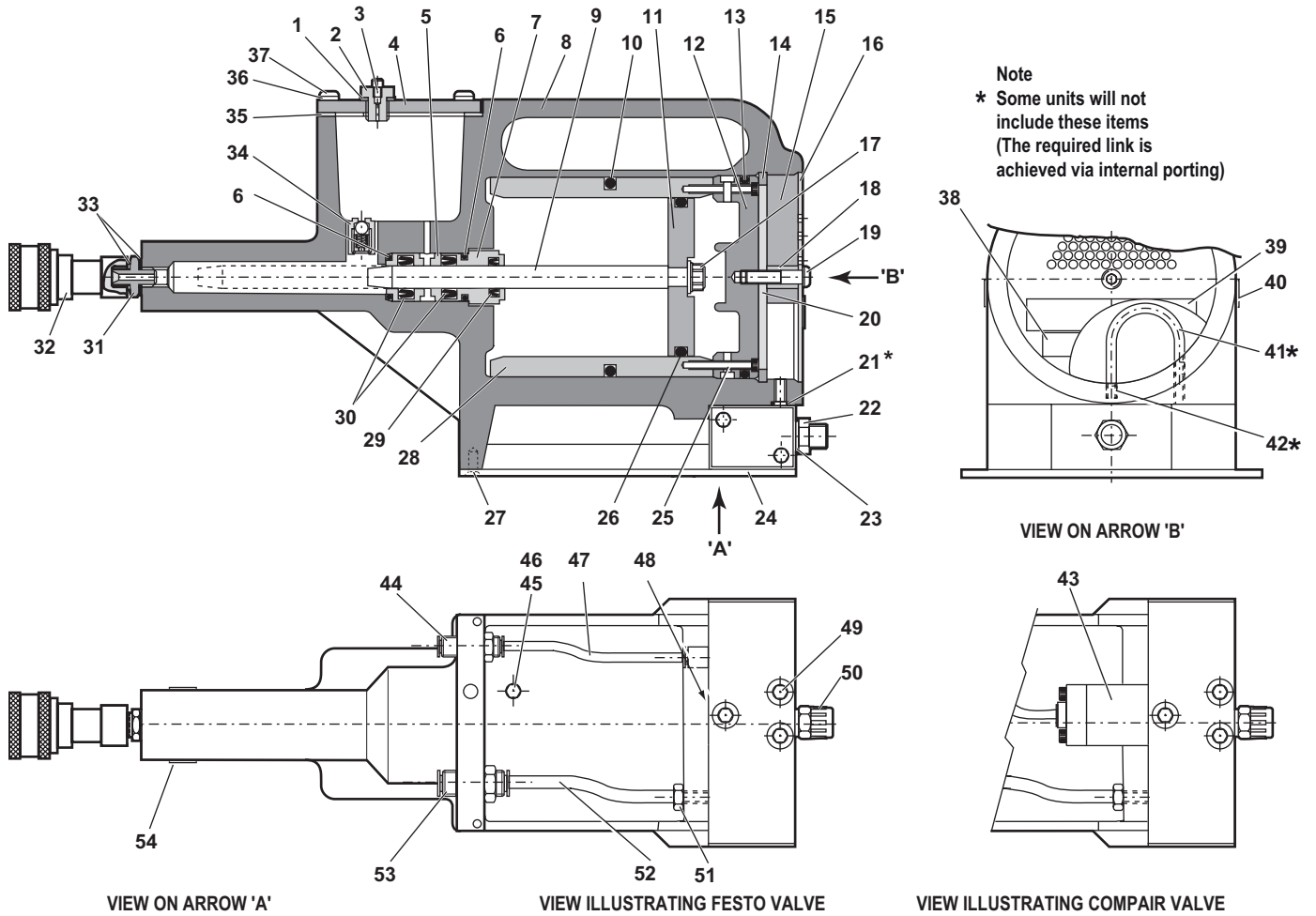
- Quando desmontar o conjunto intensificador, primeiro desconecte a mangueira de alimentação de ar no conector de entrada **22** do intensificador.
- Usando uma chave Allen*, remova quatro parafusos **27** e remova a placa de proteção **24**.
- Desconecte a mangueira de disparo (item 22 na página 123 ou item 29 na página 125) da Válvula do intensificador **43** ou **48** pressionando o mandril externo e retirando a mangueira.
- Remova a placa de cobertura **4** e a gaxeta **35** removendo os parafusos **37** e arruelas **36** usando a chave Allen*.
- Garanta que a gaxeta não esteja danificada para garantir uma vedação correta no conjunto.
- Inverta o conjunto intensificador e drene o óleo do reservatório em um recipiente adequado.
- Remova o conector de liberação rápida **32** junto com o conector **31** e as vedações **33** com uma chave* adequada.
- Remova a válvula intensificadora **43** ou **48** retirando os parafusos de fixação com uma chave adequada com cuidado para manter o anel O **21** localizado na estrutura da caixa do intensificador.
- Remova o parafuso **19** usando uma chave Allen* adequada e remova a tampa do silenciador **16**, o silenciador de espuma **15**, o espaçador **18** e a placa de retenção **20**.
- Puxe o tubo plástico de 6mm **41** dos conectores de vácuo **42**.
- Na base do intensificador, insira uma chave Allen 3mm * pelos dois orifícios e desparafuse os conectores de vácuo **42**.
Nota:
 - Tenha cuidado, pois os conectores de vácuo estão bloqueados e vedados no local usando Loctite 574.
 - Se for difícil remover, os conectores de vácuo podem ser perfurados usando uma furadeira de $\frac{3}{16}$ " ou 4,7mm.
- Para remontar os conectores de vácuo **42**, o seguinte procedimento deve ser seguido: -
 - Umedeça os conectores de vácuo em um primer adequado, por exemplo, Perma Bond A905
 - Coloque uma gota de Loctite 574 no orifício rosqueado do intensificador.
 - Na base do intensificador, insira a chave Allen* pelo orifício. Garanta que a chave Allen* esteja sem Loctite 574 antes de inserir no conector de vácuo.
 - Gire a chave Allen enquanto aplica Loctite 574 na base do conector de vácuo.
 - Aparafuse o conector de vácuo no intensificador, garantindo que há Loctite 574 suficiente na base do encaixe, pois a rosca não está visível.
- Usando uma chave de fenda, remova cuidadosamente o anel de retenção **14** interno. Limpe e inspecione a ranhura por sinais de danos.
- Usando o extrator*, insira a extremidade rosqueada macho na tampa da extremidade **12** e remova junto com a luva **28** e os anéis O **10** e **13** do intensificador.
- Insira a haste* por meio do orifício do conector na frente da caixa do intensificador e toque na haste do pistão **9** e no conjunto do pistão.
- Usando uma chave Allen* adequada, remova os dois parafusos **25** e remova a tampa da extremidade **12** da luva do intensificador **28**.
- Remova o plugue de vedação **7** com chave*.
- Insira a haste* por meio orifício do conector na frente do corpo do intensificador e empurre a caixa de vedação **5**, os anéis O associados e as vedações.
- Remova o conjunto caixa da válvula **34** do corpo principal com uma chave adequada*. Limpe soprando com um jato de ar de baixa pressão.
- Remova a haste do pistão **9** do pistão de ar **11** do intensificador segurando os primeiros 20 mm ($\frac{3}{4}$ " da haste em um torno com garras macias, com cuidado para não danificar ou marcar a superfície de trabalho.
- Desparafuse a porca de bloqueio **17** com uma chave adequada*.
- Monte na ordem inversa de desmontagem, observando o seguinte:
 - Limpe todas as peças e renove todos os anéis em O.
 - Lubrifique todas as vedações usando graxa de molilítio.

* Consulte os itens incluídos no conjunto de manutenção 0753 MkII. Para obter uma lista completa, confira a página 117. Os números dos itens em **negrito** referem-se à lista de peças ilustração oposta.

- O conjunto da caixa da válvula **34** deve ser reajustado usando um adesivo de vedação.
- Monte o conjunto do pistão usando uma nova porca **17**.
- A tampa da extremidade **12** deve ser encaixada corretamente dentro do anel de retenção **14**. A ferramenta deve ser operada se a tampa da extremidade foi omitida.

IMPORTANTE
A escorva é SEMPRE necessária após a ferramenta ser desmontada e antes da abertura.

6.8 INTENSIFICADOR 07531-02200



* Consulte os itens incluídos no conjunto de manutenção 0753 MkII. Para obter uma lista completa, confira a página 117. Os números dos itens em **negrito** referem-se à lista de peças ilustração oposta.

07531-02200 LISTA DE PEÇAS									
ITEM	Nº DE PEÇA	DESCRIÇÃO	QTD	PEÇAS DE REPOSIÇÃO	ITEM	Nº DE PEÇA	DESCRIÇÃO	QTD	PEÇAS DE REPOSIÇÃO
1	07003-00037	VEDAÇÃO	1	1	28	07531-00201	LUVA	1	-
2	07240-00211	PARAFUSO ENCHEDOR	1	-	29	07003-00337	ANEL DE VEDAÇÃO	1	1
3	07001-00418	PARAFUSO DE SANGRIA	1	1	30	07003-00336	ANEL DE VEDAÇÃO	2	2
4	07240-00210	PLACA DA TAMPA	1	-	31	07005-00406	CONECTOR	1	-
5	71420-02006	CAIXA DE VEDAÇÃO	1	-	32	07005-00759	COLETOR DE REMOÇÃO RÁPIDA	1	-
6	07003-00153	ANEL O	2	-	33	07003-00142	VEDAÇÃO	2	1
7	71420-02007	PLUGUE DE VEDAÇÃO	1	-	34	07240-00400	CONJUNTO DA CAIXA DA VÁLVULA	1	-
8	71420-02300	CONJUNTO DA CAIXA	1	-	35	07240-00209	GAXETA	1	1
9	71420-02008	HASTE DO PISTÃO	1	-	36	07002-00073	ARRUELA	4	1
10	07003-00182	ANEL O	1	1	37	07001-00554	TRAVA	4	1
11	07531-00202	PISTÃO DE AR	1	-	38	07007-01504	ETIQUETA	1	-
12	07531-00204	TAMPA DA EXTREMIDADE	1	-	39	07240-00217	ETIQUETA	1	-
13	07003-00183	ANEL O	1	1	40	07531-00205	ETIQUETA	2	-
14	07004-00069	ANEL DE RETENÇÃO	1	1	41	07005-00596	* TUBO PLÁSTICO 6mm	-	-
15	07240-00213	SILENCIADOR DE ESPUMA	1	1	42	07245-00103	* CONECTOR DE VÁCUO	2	-
16	07240-00214	TAMPA DO SILENCIADOR	1	-	43	07005-00590	VÁLVULA COMPAIR	1	1
17	07002-00017	PORCA	1	1	44	07005-01431	CONECTOR DE ANTEPARA	1	1
18	07240-00215	ESPAÇADOR	1	-	45	07005-00668	PLUGUE M5	1	-
19	07001-00417	TRAVA	1	1	46	07005-00670	ANEL DE VEDAÇÃO M5	1	-
20	07240-00216	PLACA DE RETENÇÃO	1	-	47	07005-01084	TUBO PLÁSTICO 4mm (150mm)	-	-
21	*07003-00042	ANEL O	1	1	48	07005-01524	VÁLVULA FESTO	1	-
22	07005-00041	CONECTOR	1	-	49	07001-00176	TRAVA	3	-
23	07003-00065	ARRUELA	1	-	50	07007-00292	REDCAP 1/4" BSP	1	-
24	07240-00220	PLACA DE PROTEÇÃO	1	-	51	07005-00647	CONECTOR	1	-
25	07001-00375	TRAVA	2	-	52	07005-01085	TUBO PLÁSTICO 6mm (150mm)	-	-
26	07003-00238	ANEL O	1	1	53	07005-00855	UNIÃO DA ANTEPARA	1	-
27	07001-00396	TRAVA	4	-	54	73200-02022	RÓTULO DE SEGURANÇA	1	-

6.9 VÁLVULA PILOTO 07005-00590 - MANUTENÇÃO

Instruções de desmontagem

Observe que estas instruções de manutenção referem-se à válvula Compair aplicada.

A manutenção da válvula é limitada à remoção/substituição de anéis O.

- Remova os parafusos **24** e remova o conjunto piloto.
- Remova o pistão **11** e descarte os anéis **O 3, 10, 4 e 5**.
- Remova os parafusos **26 e 21** e remova as tampas finais **22 e 25**.
- Retire os pistões **12 e 18** e remova os anéis **O 7 e 9** dos pistões.
- Retire o carretel **16** do núcleo, com cuidado para não danificar a superfície do carretel, e remova as arruelas de localização **14 e 17**, o anel **I 8**, os espaçadores **15** e o anel **O 6** de cada extremidade da caixa da válvula.
- Remova as cinco interfaces dos anéis **O 4**.
- Descarte TODOS os anéis O removidos.
- Limpe todas as peças com parafina ou benzina. NÃO USE SOLVENTES. Seque todas as peças.
- Lubrifique levemente os núcleos da caixa da válvula **23**, caixa da válvula piloto **19**, as tampas finais **22 e 25** e todos os anéis O de reposição com graxa CENTOPLEX 2.
- Ajuste os novos anéis **O 10, 4 e 5** no pistão **11** e insira na caixa da válvula piloto.
- Ajuste os novos anéis **O 3, 10 e 6** na caixa da válvula piloto, coloque a tampa superior **20** na posição e prenda o conjunto da válvula piloto na caixa da válvula principal **23** com parafusos **24**. Garanta que as faces da caixa de vedação da interface estejam viradas para cima com o G1/4 na parte inferior. Garanta que a orientação do pistão **11** esteja correta.
- Com o corpo da válvula principal **23** na mesma posição, ajuste a arruela de localização verde **17** no lado esquerdo do conjunto da válvula.
- Começando no lado direito da válvula, monte os anéis O alternativos **8** e espaçadores **15** (6 vedações e 5 espaçadores) e conclua o conjunto da pilha com a arruela de localização branca **14**.
- Lubrifique levemente o carretel **16** com graxa CENTOPLEX 2, fornecida com o conjunto de manutenção, e deslize o carretel pela pilha de vedação/espaçador.
- Ajuste os anéis **O 9 e 7** para os respectivos pistões **18 e 12**, ajuste os anéis **O 6** nas extremidades da caixa da válvula principal **23**.
- Insira os pistões nas tampas finais **25 e 22** e monte as tampas finais na válvula, com cuidado para corresponder os eixos do pistão aos orifícios nas extremidades do carretel **16**.
- Prenda os conjuntos da tampa final na caixa da válvula principal **23** com parafusos **26 e 21**.
- Ajuste os anéis **O 4** da interface em seus alojamentos na caixa da válvula principal.
- Se a conexão do tubo para o conjunto piloto estiver danificada, substitua o mandril plástico **2** e levante o anel **O 1** do cartucho **27**.
- Ajuste o novo anel **O 1** e insira o mandril plástico **2** no cartucho **27**.

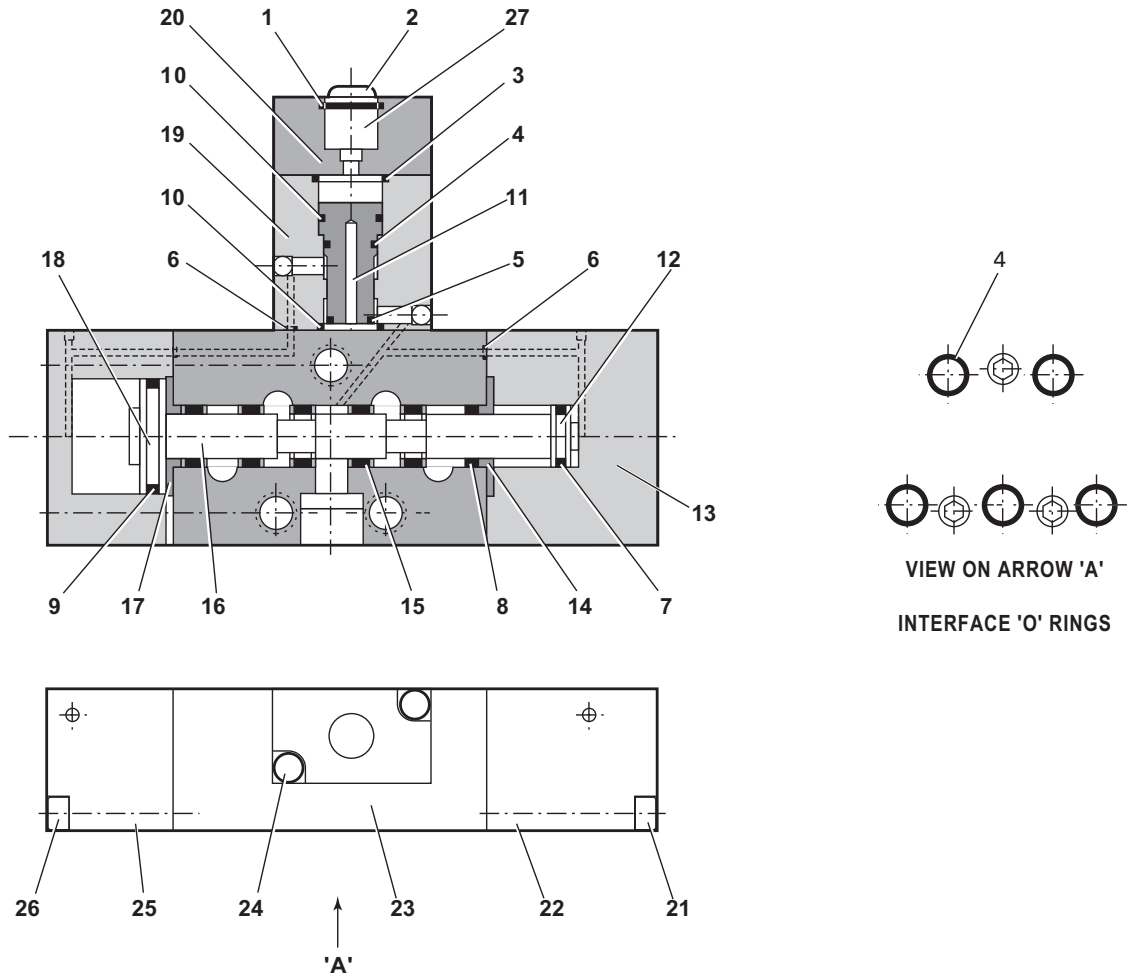
6.10 PROTEÇÃO AO MEIO AMBIENTE

Assegure conformidade com as regras aplicáveis de descarte. Descarte todos os produtos resíduo em uma estação ou local aprovado de resíduos para não expor o pessoal e o meio-ambiente a perigos.

IMPORTANTE

A escorva é SEMPRE necessária após a ferramenta ser desmontada e antes da abertura.

6.11 VÁLVULA PILOTO 07005-00590 - PEÇAS DE REPOSIÇÃO



07005-00590 LISTA DE PEÇAS DA VÁLVULA									
ITEM	Nº DE PEÇA	DESCRIÇÃO	QTD	PEÇAS DE REPOSIÇÃO	ITEM	Nº DE PEÇA	DESCRIÇÃO	QTD	PEÇAS DE REPOSIÇÃO
1	07005-00599	*ANEL O	-	-	15	-	† ESPAÇADOR	5	-
2	07005-00598	*MANDRIL PLÁSTICO	-	-	16	-	† CARRETEL	1	-
3	07003-00204	*ANEL O	1	-	17	-	† ARRUELA	1	-
4	07003-00103	*ANEL O	6	-	18	-	† PISTÃO	1	-
5	07003-00042	*ANEL O	1	-	19	-	† CORPO	1	-
6	07003-00121	*ANEL O	4	-	20	-	† TAMPA SUPERIOR	1	-
7	08005-00127	*ANEL O	1	-	21	-	† PARAFUSO	2	-
8	07003-00105	*ANEL O	6	-	22	-	† TAMPA FINAL	1	-
9	07003-00178	*ANEL O	1	-	23	-	† CORPO	1	-
10	07003-00017	*ANEL O	2	-	24	-	† PARAFUSO	2	-
11	-	† PISTÃO	1	-	25	-	† TAMPA FINAL	1	-
12	-	† PISTÃO	1	-	26	-	† PARAFUSO	2	-
13	07005-00590	CONJUNTO DA VÁLVULA	-	-	27	-	† CARTUCHO	1	-
14	-	† ARRUELA	1	-					

* Juntos estes itens compõe um conjunto de manutenção para a válvula, além de um tubo de graxa Centoplex 2. O conjunto está disponível na Avdel, número de peça 07005-01538.

† Não disponível como peça de reposição

7. ESCORVA

A escorva é SEMPRE necessária após a ferramenta ser desmontada e antes da abertura. Pode ser necessário restaurar o curso completo após uso considerável, quando o curso pode ser reduzido e os fixadores não estejam totalmente posicionados por uma operação do gatilho.

7.1 DETALHES DO ÓLEO

O óleo recomendado para escorva é o Hyspin VG32 e AWS 32 disponível em 0,5 l (número de peça 07992--00002) ou contêineres de um galão (número de peça 07992-00006). Confira os dados de segurança abaixo.

7.2 DADOS DE SEGURANÇA DO ÓLEO HYSPIN VG 32 E AWS 32

Primeiros Socorros

PELE:

Lave cuidadosamente com água e sabão, assim que possível. O contato casual não exige atenção imediata. Contato de curto prazo não exige atenção imediata.

INGESTÃO:

Busque atenção médica imediatamente. NÃO induza o vômito.

OLHOS:

Irrigue imediatamente com água por vários minutos. Embora NÃO seja muito irritante, uma pequena irritação pode ocorrer após o contato.

Fogo

Agente de extinção apropriado: CO₂, pó seco, vapor ou névoa de água. NÃO use jatos de água.

Meio-Ambiente

DESCARTE DE ÁGUA: Por meio do contratado autorizado para um local licenciado. Pode ser incinerado. O produto usado pode ser enviado para reclamação.

DERRAMAMENTO: Impeça a entrada de drenos, esgotos e cursos de água. Seque com material absorvente.

Manuseio

Use proteções de olhos, luvas impermeáveis (por exemplo, de PVC) e um avental de plástico. Use em área bem ventilada.

Armazenamento

Nenhuma precaução especial.

7.3 PROCEDIMENTO DE ESCORVA

IMPORTANTE

NÃO OPERE O GATILHO ENQUANTO O PARAFUSO DE SANGRIA ESTIVER REMOVIDO

Todas as operações devem ser realizadas em uma bancada limpa, com mãos limpas e em uma área limpa.

Garanta que o novo óleo esteja perfeitamente limpo e livre de bolhas de ar.

DEVE-SE ter cuidado a todo o tempo para garantir que nenhum material estranho entre na ferramenta ou poderá resultar em danos graves.

- Remova o parafuso **2** e a vedação **1** da placa da tampa plástica **4** no tanque do intensificador.
- Coloque o óleo de escorva no tanque até que esteja a aproximadamente 1/2" (12mm) do topo.
- Substitua o parafuso **2** e a vedação **1**.
- Conecte a unidade do intensificador à alimentação de ar. Remova o parafuso do tanque.
- Com a unidade de pistola encaixada na unidade do intensificador e mantida abaixo do nível da unidade do intensificador, desparafuse o parafuso de sangria **58** do conjunto do plugue de sangria **2** na ferramenta 07530 Mk II ou parafuso de sangria **66** do conjunto do plugue de sangria **30** na ferramenta 07532 Mk II por dois giros e permita que o óleo escoe da ferramenta.
- Quando o óleo passar livremente e sem bolhas de ar, aperte o parafuso de sangria.
- Abasteça o tanque na unidade do intensificador com óleo de escorva.
- Ative a unidade até que nenhuma bolha de ar esteja presente no óleo expelido no tanque de óleo.

Os números dos itens em **negrito** referem-se à lista de peças e conjunto geral nas páginas 123-126.

8. DIAGNÓSTICO DE AVARIAS

SINTOMA	CAUSA POSSÍVEL	SOLUÇÃO	REF. PÁGINA
A ferramenta não adiciona rebites	Baixa pressão de ar.	Aumente a pressão de ar	
	Falta de lubrificação.	Lubrifique a ferramenta no ponto de entrada de ar	
	Alta carga do alargador.	Verifique a aderência do fixador e tamanho do furo da aplicação	
	Verifique se o mandril tem o tamanho correto.		
	Garras de cauda gastas ou quebradas.	Novas garras de cauda	
	Garras de cauda desligadas.	Ligue as garras de cauda	
	Ar no sistema hidráulico.	Confira "Procedimento de escorva"	132
"Deslize de mandril" - as garras não agarram o mandril	Garras de cauda gasta ou com sujeira.	Limpe ou renove, se necessário	
	' Pressão de ar/volume insuficiente.	Aumente a pressão/volume de ar	
	' Interruptor de garras de cauda inoperável.	Substitua o interruptor	
	' Vazamento de ar nas garras de cauda.	Renova os anéis O no pistão 8	
	Mandril quebrado e não alcançando as garras de cauda.	Substitua o mandril	
	Válvula de não retorno com defeito.	Substitua a válvula de não retorno	
As garras não liberam o mandril	Caixa da garra ou garras de cauda suja.	Limpe e lubrifique	
	Interruptor da garra de cauda com falha.	Substitua os anéis O	
Os fixadores não alimentam através das garras do nariz	Garras de cauda não ligadas.	Ligue as garras de cauda	
	Garras de cauda gastas.	Renove as garras de cauda	
	Orientação incorreta do cursor.	Reajuste, garantindo uma orientação correta	
	Cursor incorreto	Ajuste o cursor correto	
	Garras de nariz incorretas.	Montar garras de nariz incorretas	
	Mola seguidora do mandril não montada.	Monte a mola seguidora do mandril correta	
	Espaço incorreto entre a cabeça do fixador e as garras do nariz quando carregadas.	Defina o espaço para 1,5mm - 3mm (1/16" - 1/8") Confira "Como carregar a ferramenta"	115
	Cursor fica preso.	Limpe e engraxe o cursor	
	Mola exterior fraca em volta do cursor.	Renove o cursor	
	Mola seguidora do mandril montada incorreta.	Monte a mola seguidora do mandril correta	
Gasto excessivo de garra da cauda	Alta carga do alargador.	Verifique o tamanho do furo da aplicação e espessura e a capacidade de aderência do fixador	
Alimentando mais do que um fixador ao mesmo tempo	Deslize do mandril.	Verifique se tem "deslize de mandril", estágio 2	
	Espaço incorreto entre a cabeça do fixador e as garras do nariz quando carregadas	Defina o espaço para 1,5mm - 3mm (1/16" - 1/8") Confira "Como carregar a ferramenta" na página	115

Outros sintomas ou falhas devem ser relatados ao seu distribuidor autorizado da Avdel local ou centro de reparo.

NOTAS

9. DECLARAÇÃO DE CONFORMIDADE DA CE

Nós, **Stanley Engineered Fastening, Stanley House, Works Road, Letchworth Garden City, Hertfordshire, SG6 1JY UNITED KINGDOM**, declaramos sob nossa única responsabilidade que o produto:

Descrição: Ferramenta de repetição hidropneumática para rebites de velocidade

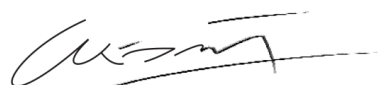
Modelo: 07530 / 07531 / 07532

ao qual esta declaração se refere, está em conformidade com as seguintes normas harmonizadas:

ISO 12100:2010	EN ISO 3744:2010
EN ISO 11202:2010	EN ISO 11148-1:2011
EN ISO 4413:2010	EN ISO 28662-1:1993
EN ISO 4414:2010	EN ISO 20643:2008+A1:2012
EN ISO 28927-5:2009+A1:2015	ES100118-rev 17:2017

Documentação técnica está compilada em conformidade com o Anexo VII, de acordo com a seguinte diretriz: **2006/42/CE A Diretiva de Máquinas** (Instrumentos do Estatuto 2008 No. 1597 - Regulações de Fornecimento de Máquinas (Segurança)).

O abaixo assinado faz essa declaração em representação da STANLEY Engineered Fastening



A. K. Seewraj

Diretor de Engenharia, Reino Unido

Avdel UK Limited, Stanley House, Works Road, Letchworth Garden City, Hertfordshire, SG6 1JY UNITED KINGDOM

Local de publicação: Letchworth Garden City, UK

Data de publicação: 27.08.2021

O abaixo assinado é responsável pelo preenchimento do arquivo técnico para produtos vendidos na União Europeia e faz essa declaração em nome da Stanley Engineered Fastening.

Matthias Appel

Líder da Equipe de Documentação Técnica

Stanley Engineered Fastening, Tucker GmbH, Max-Eyth-Str.1, 35394 Gießen, Alemanha



Essa maquinaria está em conformidade com a Diretiva de Máquinas 2006/42/CE

STANLEY
Engineered Fastening

10. DECLARAÇÃO DE CONFORMIDADE DO REINO UNIDO

Nós, **Stanley Engineered Fastening, Stanley House, Works Road, Letchworth Garden City, Hertfordshire, SG6 1JY UNITED KINGDOM**, declaramos sob nossa única responsabilidade que o produto:

Descrição: Ferramenta de repetição hidropneumática para rebites de velocidade

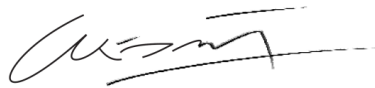
Modelo: 07530 / 07531 / 07532

ao qual esta declaração se refere, está em conformidade com as seguintes normas indicadas:

ISO 12100:2010	EN ISO 3744:2010
EN ISO 11202:2010	EN ISO 11148-1:2011
EN ISO 4413:2010	EN ISO 28662-1:1993
EN ISO 4414:2010	EN ISO 20643:2008+A1:2012
EN ISO 28927-5:2009+A1:2015	ES100118-rev 17:2017

A documentação técnica é preenchida de acordo com os Regulamentos de Fornecimento de Equipamentos (Segurança) 2008, S.I. 2008/1597 (e alterações).

O abaixo assinado faz essa declaração em representação da STANLEY Engineered Fastening



A. K. Seewraj

Diretor de Engenharia, Reino Unido

Avdel UK Limited, Stanley House, Works Road, Letchworth Garden City, Hertfordshire, SG6 1JY UNITED KINGDOM

Local de publicação: Letchworth Garden City, UK

Data de publicação: 27.08.2021



Essa maquinaria está em conformidade com
Regulamentos do Suprimento de Máquinas (Segurança) 2008,
S.I. 2008/1597 (e alterações)

11. PROTEJA O SEU INVESTIMENTO!

Stanley® Engineered Fastening GARANTIA DE FERRAMENTA DE REBITES CEGOS

STANLEY® Engineered Fastening garante que todas as máquinas elétricas foram cuidadosamente fabricadas e não apresentarão defeitos de material nem de fabricação no seu uso normal e para serviços por um período de um (1) ano.

Esta garantia aplica-se ao primeiro comprador da máquina e apenas ao seu uso original.

Exclusões:

Uso e desgaste normal.

Manutenções periódicas, reparos e reposições de peças devido ao uso e ao desgaste normal estão excluídos da cobertura da garantia.

Abuso & Uso Indevido.

Defeitos ou danos resultados de operação incorreta, armazenamento e uso indevidos ou abuso, acidente ou negligência, como danos físicos, estão excluídos da cobertura da garantia.

Modificação ou Manutenção Não Autorizada.

Defeitos ou danos resultantes de operações, testes, ajustes, instalações, manutenções, alterações ou modificações de qualquer forma não realizadas pelo pessoal da STANLEY® Engineered Fastening, ou de seus centros de serviços autorizados, estão excluídos da cobertura da garantia.

Todas as outras garantias, explícitas ou implícitas, incluindo quaisquer garantias de comercialização ou adequação para qualquer propósito, estão excluídas.

Se a máquina não atende aos requisitos de garantia, devolva-a imediatamente ao nosso centro de serviços autorizados de fábrica mais próximo. Para uma lista de postos de assistências técnica autorizados da STANLEY® nos EUA ou Canadá, entre em contato conosco pelo número gratuito (877)364 2781.

Fora dos EUA e Canada, visite o nosso website **www.StanleyEngineeredFastening.com** para encontrar o centro de serviços STANLEY Engineered Fastening mais próximo.

A STANLEY Engineered Fastening trocará então, gratuitamente, qualquer peça ou peças, as quais apresentam defeitos devido a uma falha de material ou de fabricação e, devolverá a máquina pré-paga. Isto representa nossa obrigação única sob esta garantia.

Em nenhuma circunstância a STANLEY Engineered Fastening deverá ser responsabilizada por quaisquer danos resultantes ou especiais oriundos da compra ou uso desta máquina.

Registre sua Rebitadeira on-line.

Para registrar a sua garantia on-line, acesse:

<https://www.stanleyengineeredfastening.com/support/warranty-registration-form>

Agradecemos por escolher uma ferramenta da marca STANLEY® Engineered Fastening de tecnologias Stanley.

STANLEY
Engineered Fastening

STANLEY Engineered Fastening

STANLEY House, Works Road
Letchworth Garden City
Hertfordshire, United Kingdom
SG6 1JY
Tel: +44 1582 900 000
Fax: +44 1582 900 001



Holding your world together®

Find your closest STANLEY Engineered Fastening location on
www.stanleyEngineeredFastening.com/contact
For an authorized distributor nearby please check
www.stanleyEngineeredFastening.com/econtact/distributors

Manual Number	Issue	C/N
07900-00724_NA	C	21/099

STANLEY
Assembly Technologies

Stanley Engineered Fastening — a division of Stanley Black and Decker — is the global leader in precision fastening and assembly solutions. Our industry-leading brands, Avdel®, Integra™, Nelson®, Optia™, POP®, Stanley® Assembly Technologies, and Tucker®, elevate what our customers create. Backed by a team of passionate and responsive problem-solvers, we empower engineers who are changing the world.

STANLEY ENGINEERED FASTENING FAMILY OF BRANDS

AVDEL

INTEGRA

NELSON

OPTIA

POP

STANLEY
Assembly Technologies

TUCKER