



- (EN) Hydro-Pneumatic Power Tool
- (ZHS) 液气工具
- (JA) 油空圧電動ツール



ProSet® XT3 Blind Rivet Tool – 76003  
ProSet® XT4 Blind Rivet Tool – 76004

Hydro-Pneumatic Power Tool

Figure 1

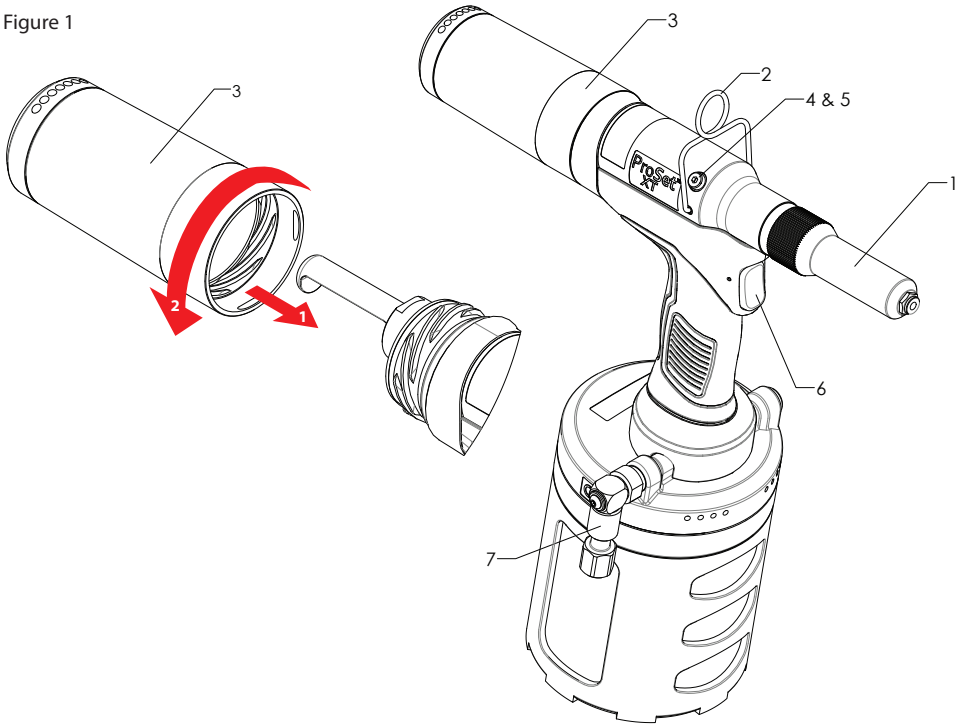


Figure 2

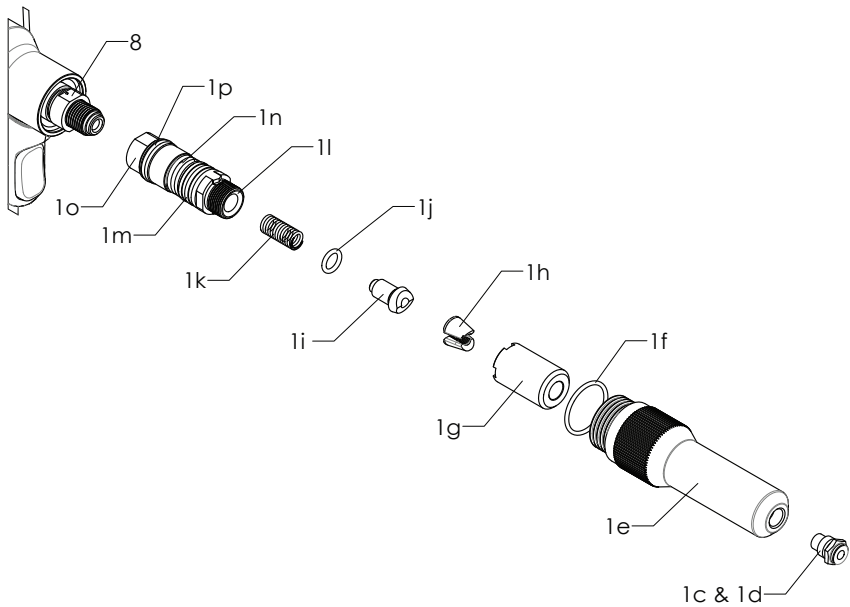


Figure 3

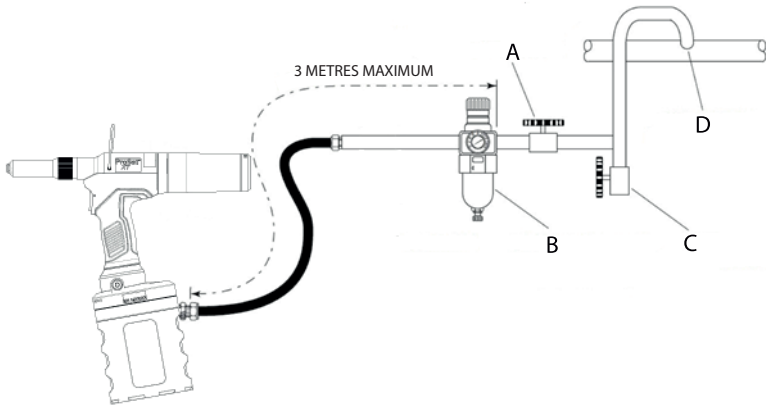


Figure 4

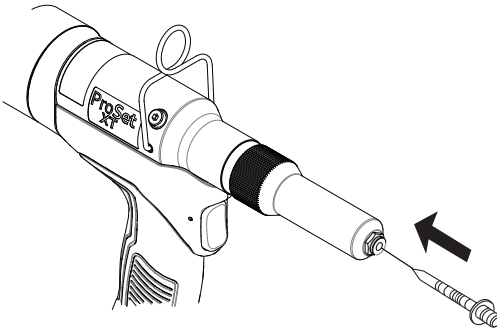


Figure 5

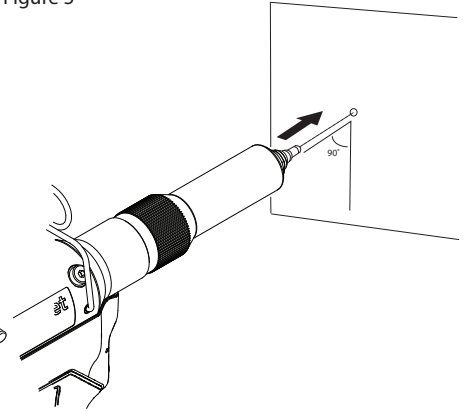
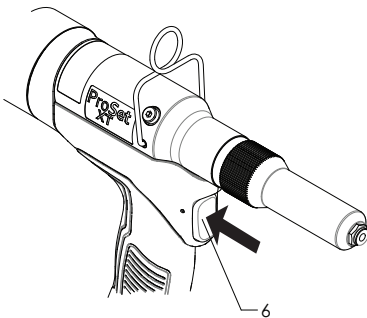


Figure 6



©2017 Stanley Black & Decker inc.  
All rights reserved.

The information provided may not be reproduced and/or made public in any way and through any means (electronically or mechanically) without prior explicit and written permission from STANLEY Engineered Fastening. The information provided is based on the data known at the moment of the introduction of this product. STANLEY Engineered Fastening pursues a policy of continuous product improvement and therefore the products may be subject to change. The information provided is applicable to the product as delivered by STANLEY Engineered Fastening. Therefore, STANLEY Engineered Fastening cannot be held liable for any damage resulting from deviations from the original specifications of the product.

The information available has been composed with the utmost care. However, STANLEY Engineered Fastening will not accept any liability with respect to any faults in the information nor for the consequences thereof. STANLEY Engineered Fastening will not accept any liability for damage resulting from activities carried out by third parties. The working names, trade names, registered trademarks, etc. used by STANLEY Engineered Fastening should not be considered as being free, pursuant to the legislation with respect to the protection of trade marks.

**CONTENT**

- 1. SAFETY DEFINITIONS ..... 4**
- 1.1 GENERAL SAFETY RULES ..... 4
- 1.2 PROJECTILE HAZARDS ..... 4
- 1.3 OPERATING HAZARDS ..... 5
- 1.4 REPETITIVE MOTIONS HAZARDS ..... 5
- 1.5 ACCESSORY HAZARDS ..... 5
- 1.6 WORKPLACE HAZARDS ..... 6
- 1.7 NOISE HAZARDS ..... 6
- 1.8 VIBRATION HAZARDS ..... 6
- 1.9 ADDITIONAL SAFETY INSTRUCTIONS FOR PNEUMATIC POWER TOOLS ..... 6
- 2. SPECIFICATIONS ..... 7**
- 2.1. TOOL SPECIFICATIONS ..... 7
- 2.2 PLACING SPECIFICATIONS ..... 8
- 2.3 THE PACKAGE CONTENTS ..... 9
- 2.4 MAIN COMPONENTS LIST ..... 9
- 2.5 STANDARD NOSE EQUIPMENT ..... 9
- 3. TOOL SET UP ..... 10**
- 3.1 NOSE EQUIPMENT (Ref. fig. 2) ..... 10
- 3.2 AIR SUPPLY (Ref. fig. 3) ..... 10
- 3.3 PRINCIPLE OF OPERATION ..... 11
- 4. OPERATION PROCEDURE ..... 12**
- 4.1 TOOL OPERATION (Ref. fig. 1, 4, 5, 6) ..... 12
- 4.2 EMPTYING THE MANDREL COLLECTOR (Ref. fig. 1) ..... 12
- 5. SERVICING THE TOOL ..... 13**
- 5.1 MAINTENANCE FREQUENCY ..... 13
- 5.2 NOSE EQUIPMENT ..... 13
- 5.3 DAILY SERVICING ..... 13
- 5.4 WEEKLY SERVICING ..... 13
- 5.5 PROTECTING THE ENVIRONMENT ..... 13
- 6. EC-DECLARATION OF CONFORMITY ..... 14**
- 7. UK DECLARATION OF CONFORMITY ..... 15**
- 8. PROTECT YOUR INVESTMENT! ..... 16**
- 8.1 POP® AVDEL® BLIND RIVET TOOL WARRANTY ..... 16
- 8.2 REGISTER YOUR BLIND RIVET TOOL ONLINE ..... 16



This instruction manual must be read by any person installing or operating this tool with particular attention to the following safety rules.



Always wear impact-resistant eye protection during operation of the tool. The grade of protection required should be assessed for each use.



Use hearing protection in accordance with employer's instructions and as required by occupational health and safety regulations.



Use of the tool can expose the operator's hands to hazards, including crushing, impacts, cuts and abrasions and heat. Wear suitable gloves to protect hands.

## 1. SAFETY DEFINITIONS

The definitions below describe the level of severity for each signal word. Please read the manual and pay attention to these symbols.



**DANGER:** Indicates an imminently hazardous situation which, if not avoided, will result in death or serious injury.



**WARNING:** Indicates a potentially hazardous situation which, if not avoided, could result in death or serious injury.



**CAUTION:** Indicates a potentially hazardous situation which, if not avoided, may result in minor or moderate injury.

**CAUTION:** Used without the safety alert symbol indicates a potentially hazardous situation which, if not avoided, may result in property damage.

***Improper operation or maintenance of this product could result in serious injury and property damage. Read and understand all warnings and operating instructions before using this equipment. When using power tools, basic safety precautions must always be followed to reduce the risk of personal injury.***

### SAVE ALL WARNINGS AND INSTRUCTIONS FOR FUTURE REFERENCE

#### 1.1 GENERAL SAFETY RULES

- For multiple hazards, read and understand the safety instructions before installing, operating, repairing, maintaining, changing accessories on, or working near the tool. Failure to do so can result in serious bodily injury.
- Only qualified and trained operators must install, adjust or use the tool.
- DO NOT use outside the design intent of placing STANLEY Engineered Fastening Blind Rivets.
- Use only parts, fasteners, and accessories recommended by the manufacturer.
- DO NOT modify the tool. Modifications can reduce the effectiveness of safety measures and increase the risks to the operator. Any modification to the tool undertaken by the customer will be the customer's entire responsibility and void any applicable warranties.
- Do not discard the safety instructions; give them to the operator.
- Do not use the tool if it has been damaged.
- Prior to use, check for misalignment or binding of moving parts, breakage of parts, and any other condition that affects the tool's operation. If damaged, have the tool serviced before using. Remove any adjusting key or wrench before use.
- Tools shall be inspected periodically to verify that the ratings and markings required by this part of ISO 11148 are legibly marked on the tool. The employer/user shall contact the manufacturer to obtain replacement marking labels when necessary.
- The tool must be maintained in a safe working condition at all times and examined at regular intervals for damage and function by trained personnel. Any dismantling procedure will be undertaken only by trained personnel. Do not dismantle this tool without prior reference to the maintenance instructions.

#### 1.2 PROJECTILE HAZARDS

- Disconnect the air supply from the tool before performing any maintenance, attempting to adjust, fit or remove a nose assembly or accessories.

- Be aware that failure of the workpiece or accessories, or even of the inserted tool itself can generate high-velocity projectiles.
- Always wear impact-resistant eye protection during operation of the tool. The grade of protection required should be assessed for each use.
- The risks to others should also be assessed at this time.
- Ensure that the workpiece is securely fixed.
- Check that the means of protection from ejection of fastener and/or mandrel is in place and is operative.
- DO NOT use the tool without mandrel collector installed.
- Warn against the possible forcible ejection of mandrels from the front of the tool.
- DO NOT operate a tool that is directed towards any person(s).

### **1.3 OPERATING HAZARDS**

- Use of the tool can expose the operator's hands to hazards, including crushing, impacts, cuts and abrasions and heat. Wear suitable gloves to protect hands.
- Operators and maintenance personnel shall be physically able to handle the bulk, weight and power of the tool.
- Hold the tool correctly; be ready to counteract normal or sudden movements and have both hands available.
- Keep tool handles dry, clean, and free from oil and grease.
- Maintain a balanced body position and secure footing when operating the tool.
- Release the start-and-stop device in the case of an interruption of the air supply.
- Use only lubricants recommended by the manufacturer.
- Contact with hydraulic fluid should be avoided. To minimise the possibility of rashes, care should be taken to wash thoroughly if contact occurs.
- Material Safety Data Sheets for all hydraulic oils and lubricants is available on request from your tool supplier.
- Avoid unsuitable postures as it is likely for these positions not to allow counteracting of normal or unexpected movement of the tool.
- If the tool is fixed to a suspension device, make sure that the fixation is secure.
- Beware of the risk of crushing or pinching if nose equipment is not fitted.
- DO NOT operate tool with the nose casing removed.
- Adequate clearance is required for the tool operator's hands before proceeding.
- When carrying the tool from place to place keep hands away from the trigger to avoid inadvertent activation.
- DO NOT abuse the tool by dropping or using it as a hammer.
- Care should be taken to ensure that spent mandrels do not create a hazard.
- The mandrel collector must be emptied when approximately half full.

### **1.4 REPETITIVE MOTIONS HAZARDS**

- When using the tool, the operator can experience discomfort in the hands, arms, shoulders, neck or other parts of the body.
- While using the tool, the operator should adopt a comfortable posture whilst maintaining a secure footing and avoiding awkward or off-balance postures. The operator should change posture during extended tasks; this can help avoid discomfort and fatigue.
- If the operator experiences symptoms such as persistent or recurring discomfort, pain, throbbing, aching, tingling, numbness, burning sensations or stiffness, these warning signs should not be ignored. The operator should tell the employer and consult a qualified health professional.

### **1.5 ACCESSORY HAZARDS**

- Disconnect the tool from the air supply before fitting or removing the nose assembly or accessory.
- Use only sizes and types of accessories and consumables that are recommended by the manufacturer of the tool; do not use other types or sizes of accessories or consumables.

### **1.6 WORKPLACE HAZARDS**

- Slips, trips and falls are major causes of workplace injury. Be aware of slippery surfaces caused by use of the tool and also of trip hazards caused by the air line or hydraulic hose.
- Proceed with care in unfamiliar surroundings. There can be hidden hazards, such as electricity or other utility lines.
- The tool is not intended for use in potentially explosive atmospheres and is not insulated against contact with electric power.
- Ensure that there are no electrical cables, gas pipes, etc., which can cause a hazard if damaged by use of the tool.
- Dress properly. Do not wear loose clothing or jewellery. Keep your hair, clothing and gloves away from moving parts. Loose clothes, jewellery or long hair can be caught in moving parts.
- Care should be taken to ensure that spent mandrels do not create a hazard.

### **1.7 NOISE HAZARDS**

- Exposure to high noise levels can cause permanent, disabling hearing loss and other problems, such as tinnitus (ringing, buzzing, whistling or humming in the ears). Therefore, risk assessment and the implementation of appropriate controls for these hazards are essential.
- Appropriate controls to reduce the risk may include actions such as damping materials to prevent workpieces from “ringing”.
- Use hearing protection in accordance with employer’s instructions and as required by occupational health and safety regulations.
- Operate and maintain the tool as recommended in the instruction manual, to prevent an unnecessary increase in the noise level.
- Ensure that the silencer within the mandrel collector is in place and in good working order when the tool is being operated.

### **1.8 VIBRATION HAZARDS**

- Exposure to vibration can cause disabling damage to the nerves and blood supply of the hands and arms.
- Wear warm clothing when working in cold conditions and keep your hands warm and dry.
- If you experience numbness, tingling, pain or whitening of the skin in your fingers or hands, stop using the tool, tell your employer and consult a physician.
- Where possible support the weight of the tool in a stand, tensioner or balancer, because a lighter grip can then be used to support the tool.

### **1.9 ADDITIONAL SAFETY INSTRUCTIONS FOR PNEUMATIC POWER TOOLS**

- The operating supply air must not exceed 7 bar (100 PSI).
- Air under pressure can cause severe injury.
- Never leave operating tool unattended. Disconnect air hose when tool is not in use, before changing accessories or when making repairs.
- DO NOT let air exhaust opening on the mandrel collector face in the direction of the operator or other persons. Never direct air at yourself or anyone else.
- Whipping hoses can cause severe injury. Always check for damaged or loose hoses and fittings.
- Prior to use, inspect airlines for damage, all connections must be secure. Do not drop heavy objects on hoses. A sharp impact may cause internal damage and lead to premature hose failure.
- Cold air shall be directed away from hands.
- Whenever universal twist couplings (claw couplings) are used, lock pins shall be installed and whipcheck safety cables shall be used to safeguard against possible hose-to-tool or hose-to-hose connection failure.
- DO NOT lift the placing tool by the hose. Always use the placing tool handle.
- Vent holes must not become blocked or covered.
- Keep dirt and foreign matter out of the hydraulic system of the tool as this will cause the tool to malfunction.

**STANLEY Engineered Fastening policy is one of continuous product development and improvement and we reserve the right to change the specification of any product without prior notice.**

## 2. SPECIFICATIONS

The ProSet® XT3 & XT4 are hydro-pneumatic tools designed to place Stanley Engineered Fastening blind rivets at high speed.

The tools feature a vacuum system for rivet retention and trouble free collection of the spent mandrels regardless of tool orientation.

When coupled to the relevant nose equipment the ProSet® XT3 & XT4 can be used to place blind rivets in the range of Ø4.0mm to Ø6.4mm. Refer to the table on page 10 for a list of all rivets that can be placed.

The safety warnings on pages 4 & 6 must be followed at all times.

**DO NOT** use under wet conditions or in the presence of flammable liquids or gases.

### 2.1. TOOL SPECIFICATIONS

	XT3		XT4	
<b>Pull-Force:</b> @ 5.5 bar	17.0 kN	3822 lbf	23.0 kN	5193 lbf
<b>Air Supply Pressure:</b> Min. to Max.	5.0 - 7.0 bar	72.5 - 101.5 lbf/in <sup>2</sup>	5.0 - 7.0 bar	72.5 - 101.5 lbf/in <sup>2</sup>
<b>Oil Pressure:</b> Pull @ 5.5 bar	290 bar	4206 lbf/in <sup>2</sup>	395 bar	5729 lbf/in <sup>2</sup>
<b>Stroke:</b> Minimum Piston Stroke	26.0 mm	1.02 in.	18.0 mm	0.91 in.
<b>Weight:</b> Incl. nose equipment	2.24 kg	4.94 lb	2.26 kg	4.98 lb
<b>Weight:</b> without nose equipment	2.00 kg	4.41 lb	2.02 kg	4.41 lb
<b>Free Air Volume:</b> @ 5.5 bar	6.3 ltr	384.4 in <sup>3</sup>	6.3 ltr	384.4 in <sup>3</sup>
<b>Cycle Time:</b> Approximate	0.9 seconds		1.0 seconds	

<b>Noise values determined according to noise test code ISO 15744 and ISO 3744.</b>		XT3	XT4
A-weighted sound power level dB(A), $L_{WA}$	Uncertainty noise: $k_{WA} = 3.0$ dB(A)	90.3 dB(A)	89.7 dB(A)
A-weighted emission sound pressure level at the work station dB(A), $L_{pA}$	Uncertainty noise: $k_{pA} = 3.0$ dB(A)	79.3 dB(A)	78.7 dB(A)
C-weighted peak emission sound pressure level dB(C), $L_{pC}$ peak	Uncertainty noise: $k_{pC} = 3.0$ dB(C)	82.7 dB(C)	81.5 dB(A)

<b>Vibration values determined according to vibration test code ISO 20643 and ISO 5349.</b>		XT3	XT4
Vibration emission level, $a_{hd}$ :		1.41 m/s <sup>2</sup>	1.80 m/s <sup>2</sup>
Uncertainty vibration: k		0.70 m/s <sup>2</sup>	0.90 m/s <sup>2</sup>
Declared vibration emission values in accordance with EN 12096			



**2.2 PLACING SPECIFICATIONS**

Rivet Type	Rivet Diameter mm [inches]										
	4 [5/32]	4,3	4,8 [3/16]	6	6,4 [1/4]	7	8	9	10	11	12
Open End	●*		●**		●						
Closed End	●*		●**		●						
HR	●*		●		●						
HS					● (3)						
Multi-Grip	●*		●**		●						
TL	●*		●								
T-Rivet (Emhart)	●*		●		●						
Self-Pluggger	●*		●		●						
Ultra Grip (UG) (NPR)					⊗ (3)						
CD					● (3)						
Avex®	● (2)		● (2)		● (2)						
Stavex®	● (2)		● (2)		● (1)(3)						
Avinox®/ Avibulb®	● (2)		● (2)	● (2)							
Avinox®XT / Avibulb®XT					● (1)(3)						
LSR/Bulbex®	● (2)		● (2)								
T-Lok®		● (2)	● (2)								
Avdel® SR	● (2)		● (2)		● (2)						
Hemlok®					● (1)(3)						
Interlock®			⊗ (2)		⊗ (1)(3)						
Maxlok®			● (3)		Ⓞ (3)						
Monobolt®			⊗ (1)(2)		⊗ (1)(3)						
Avtainer®									Ⓞ (1)(3)		
Avseal® (STD)				● (1)(3)		● (1)(3)	● (1)(3)	● (1)(3)	Ⓞ (1)(3)		
Avseal® (Low Press)							● (1)(3)	● (1)(3)	● (1)(3)	Ⓞ (1)(3)	Ⓞ (1)(3)
Q Rivet	● (2)		● (2)		● (2)						
T Rivet (Avdel)			● (1)(2)		● (1)(2)						
Avdelmate®			● (2)		● (2)						
Klamp-Tite® BAPK			⊗ (2)		⊗ (2)						
Klamp-Tite® BAPKTR			⊗ (1)(2)		⊗ (1)(2)						
Avdelok®			● (3)		Ⓞ (3)						

\* Use PRG540-46 jaws and FAN276-064 jaw pusher assembly

\*\* Use PRG540-46 jaws.

● Is applicable for both XT3 and XT4 tool

⊗ Is only applicable for XT3 tool

Ⓞ Is only applicable for XT4 tool

(1) Non-standard nose piece required

(2) Alternative type nose equipment available

(3) Non-standard nose equipment required.

For a full list of compatible nose equipment for each rivet type, together with assembly and maintenance instructions, please refer to the ProSet® nose equipment manual 07900-09414

### 2.3 THE PACKAGE CONTENTS

- 1 ProSet® XT3 or XT4 blind rivet tool.
- 1 set Standard\* Nose Equipment & Nosepieces for 4.8mm [3/16"] and 6.4mm [1/4"] rivets.
- 1 Printed Instruction Manual – region dependent.

### 2.4 MAIN COMPONENTS LIST

Refer to figure 1 & 2 and the table below.

Item	Part Number	Description	Qty
1	76003-15000*	Standard nose equipment	1
2	76003-02022	Suspension hook	1
3	76003-05200	Mandrel collector	1
4	07001-00405	Oil plug	1
5	07003-00194	Seal	1
6	76003-02008	Trigger	1
7	76003-03700	On/Off valve	1
8	71210-02103	Locknut	1

### 2.5 STANDARD NOSE EQUIPMENT

Refer to figure 2 and the table below.

Item	Part Number	Description	Qty
1c	PRN614	Nose Piece - 4.8 mm [3/16"] (Fitted)	1
1d	PRN811	Nose Piece - 6.4 mm [1/4"]	1
1e	76003-15001	Nose casing	1
1f	07003-00067	O ring	1
1g	DPN276-001	Jaw guide	1
1h	PRG540-44	Jaws	1 Set
1i	DPN276-006	Jaw pusher	1
1j	DPN900-060	O ring	1
1k	DPN901-019	Jaw pusher spring	1
1l	76003-15002	Pulling head	1
1m	76003-15004	Jaw guide lock	1
1n	DPN901-020	Spring	1
1o	76003-15003	Pulling head adapter	1
1p	07003-00277	O ring	1

For additional nose equipment please refer to the ProSet® Nose Equipment Manual 07900-09414 or visit [www.stanleyengineeredfastening.com/resource-center/document-library](http://www.stanleyengineeredfastening.com/resource-center/document-library)

For a full list of tool accessories, please refer to the ProSet Accessories Manual 07900-09415.

\* Nose equipment is not supplied with the Proset XT3 Base Tool (76003-01000) and Proset XT4 Base Tool (76004-01000).

### 3. TOOL SET UP

**IMPORTANT - READ THE SAFETY WARNINGS ON PAGE 6 & 8 CAREFULLY BEFORE PUTTING INTO SERVICE.**

**IMPORTANT - THE AIR SUPPLY MUST BE TURNED OFF OR DISCONNECTED BEFORE FITTING OR REMOVING THE NOSE ASSEMBLY.**

#### 3.1 NOSE EQUIPMENT (Ref. fig. 2)

Item numbers in bold refer to the components in figures 1 & 2 and the tables on page 11.

The complete tool will be supplied pre-assembled with the Nose Piece for 4.8mm [3/16"] rivets.

One additional Nose Piece for 6.4mm [1/4"] rivets are supplied separately.

#### Mounting the nose piece

- The air supply must be disconnected.
- Select the correct nose piece for the rivet to be installed.
- Remove the nose casing (**1e**), including nose piece (**1a,b,c, or d**), and O ring (**1f**)
- Remove the nose piece (**1a,b,c or d**) from the nose casing (**1e**)
- Select the relevant size nose piece and assemble in reverse order.

#### Removing complete nose equipment.

- The air supply must be disconnected.
- Remove the nose casing (**1e**), including the nose piece (**1a,b,c or d**), and O ring (**1f**) from the tool.
- Pull back the jaw guide lock (**1m**) against the spring (**1n**) and then remove the jaw guide (**1g**).
- Remove the jaws (**1h**) from the jaw guide (**1g**).
- Remove jaw pusher (**1i**), O ring (**1j**), and Jaw pusher spring (**1k**), from the pulling head (**1l**).
- Remove the pulling head assembly (**1q**) from the tool piston using spanners

#### Mounting the complete nose equipment

- The air supply must be disconnected
- Any worn or damaged part should be replaced.
- Clean and check wear on jaws (**1h**).
- Ensure that the jaw pusher (**1i**) or the jaw pusher spring (**k**) are not distorted.
- Lightly coat jaws (**1h**) with moly lithium grease.
- Drop Jaws (**1h**) into the jaw guide (**1g**).
- Insert jaw pusher (**1i**) and O ring (**1j**) into the pulling head (**1l**).
- Pull back the jaw guide lock (**1m**) and screw the jaw guide (**1g**) fully on to the pulling head (**1l**).
- Release the jaw guide lock (**1m**) and then partially unscrew the jaw guide (**1g**) until the jaw guide lock (**1m**) tooth clicks into the next slot on the jaw guide (**1g**).
- Place nose casing (**1e**) over the jaw guide (**1g**) and tighten fully onto the tool.

Nose assemblies should be serviced at weekly intervals. You should hold some stock of all internal components of the nose assembly and nose tips as they will need regular replacement.

#### 3.2 AIR SUPPLY (Ref. fig. 3)

Components

- Stop cock (used during maintenance of filter/regular or lubricated units)
  - Pressure regulator and filter (daily drain)
  - Main supply drain point
  - Take off point from main supply
- All tools are operated with compressed air at a minimum pressure of 5.0 bar.
  - Pressure regulators and automatic oiling/filtering systems to be used on the main air supply within 3 metres of the tool (see fig. 3).
  - Air supply hoses will have a minimum working effective pressure rating of 150% of the maximum pressure produced in the system or 10 bar, whichever is the highest.

- 
- Air hoses must be oil resistant, have an abrasion resistant exterior and be armoured where operating conditions may result in hoses being damaged.
  - All air hoses **MUST** have a minimum bore diameter of 6.4 millimetres.
  - Check for air leaks. If damaged, hoses and couplings must be replaced by new items.
  - If there is no filter on the pressure regulator, bleed the airline to clear it of accumulated dirt or water before connecting air hose to the tool.

### **3.3 PRINCIPLE OF OPERATION**

**CAUTION - CORRECT SUPPLY PRESSURE IS IMPORTANT FOR PROPER FUNCTION OF THE INSTALLATION TOOL. PERSONAL INJURY OR DAMAGE TO EQUIPMENT MAY OCCUR WITHOUT CORRECT PRESSURES. THE SUPPLY PRESSURE MUST NOT EXCEED THAT LISTED IN THE PLACING TOOL SPECIFICATION**

Item numbers in bold refer to the components in figures 1 & 2 and the tables on page 11.

When the pneumatic hose is connected to the placing tool, the pull and return cycles of the tool are controlled by depressing and releasing the trigger **(6)** located in the handle.

- Air supply is disconnected.
- Connect the appropriate nose equipment as described on page 10 & 12.
- Connect the pneumatic hose to the air on/off valve **(7)**.
- Connect the pneumatic hose mains air supply.
- Switch on the mains supply to the tool by sliding the air on/off valve **(7)** to the up position.
- Air is now be supplied to the tool and the vacuum system is in operation.
- Pull and release the trigger **(6)** a few times to the full stroke of the tool to check operation. Observe action of tool. Check for fluid and/or air leaks.

## 4. OPERATION PROCEDURE

### 4.1 TOOL OPERATION (Ref. fig. 1, 4, 5, 6)

#### Installing a blind rivet

- Ensure that the mandrel collector (3) is fitted.
- Insert rivet mandrel into the nose piece (1a, b, c or d). The vacuum system will retain the rivet in the nose piece.
- Position the tool.
- Ensure nose equipment is at right angle (90°) to the work piece.
- Pull and hold trigger (6) until the rivet is fully set in the application.
- When the rivet has been set completely, release the trigger (6). The tool will return to its initial position automatically. The mandrel is automatically dropped into the mandrel collector (3) by the vacuum system.
- Mandrel collector must be emptied before it is half full.

**CAUTION –DO NOT FORCE THE INSERTION OF A RIVET MANDREL OR RIVET BODY. THIS WILL CAUSE DAMAGE TO THE TOOL AND/OR APPLICATION.**

### 4.2 EMPTYING THE MANDREL COLLECTOR (Ref. fig. 1)

#### CAUTION - DO NOT USE THE TOOL WHEN THE MANDREL COLLECTOR IS REMOVED

- The tool is fitted with a quick connect/release mandrel collector (3).
- A 60° rotation removes or replaces the mandrel collector.
- Removing the mandrel collector (3) from the tool automatically turns OFF the vacuum rivet retention and mandrel extraction system.
- Refitting the mandrel collector turns the vacuum system ON.

## 5. SERVICING THE TOOL

### 5.1 MAINTENANCE FREQUENCY

Regular servicing must be carried out by trained personnel and a comprehensive inspection performed annually or every 500,000 cycles, whichever is sooner.



DISCONNECT AIR SUPPLY



**CAUTION** - *Never use solvents or other harsh chemicals for cleaning the non-metallic parts of the tool. These chemicals may weaken the materials used in these parts.*

### 5.2 NOSE EQUIPMENT

Nose assemblies need to be serviced at weekly intervals or every 5,000 cycles. Hold some stock of all internal components of the nose assembly and nose pieces, they need regular replacement.

- Disconnect the air supply
- Remove the complete nose assembly using the procedure described in section 3.1.
- Inspect all components. Any worn or damaged parts must be replaced by a new part.
- Particularly check wear on the Jaws (**1h**).
- Clean all parts and apply moly lithium Grease (07992-00020) to jaws (**1h**) and taper bore of jaw guide (**1g**).
- Assemble according to fitting instructions in section 3.1.

### 5.3 DAILY SERVICING

- Before use, check the tool, hose and couplings for air leaks and oil leaks. If damaged, remove the tool from service and replace affected items with new parts.
- If there is no filter on the pressure regulator, bleed the airline to clear it of accumulated dirt or water before connecting the air hose to the tool. If there is a filter, drain it.
- Check that the nose equipment (**1**) is correct for the rivet to be placed and that it is fitted properly.
- Check that the stroke of the tool meets the minimum specification (ref. 2.1).
- The mandrel collector (**3**) must fitted to the tool.
- Check that the air chamber is fully tightened onto the tool body.

### 5.4 WEEKLY SERVICING

- Check the tool, hose and couplings for air leaks and oil leaks. If damaged, remove the tool from service and replace affected items with new parts.

For full servicing, troubleshooting and maintenance instructions please refer to the Service Manual Nr. 07900-09410 for the XT3 and 07900-09411 for the XT4.

For Safety Data relating to the grease and oil used in this tool please refer to the Service Manual Nr. 07900-09410 for the XT3 and 07900-09411 for the XT4.

### 5.5 PROTECTING THE ENVIRONMENT

Assure conformity with applicable disposal regulations. Dispose all waste products at an approved waste facility or site so as not to expose personnel and the environment to hazards.

## 6. EC DECLARATION OF CONFORMITY

We, **Stanley Engineered Fastening, Stanley House, Works Road, Letchworth Garden City, Hertfordshire, SG6 1JY UNITED KINGDOM**, declare under our sole responsibility that the product:

**Description:** ProSet® XT3 and ProSet® XT4 Hydro-Pneumatic tools for Blind Rivets

**Model:** POP-Avdel® / 76003 and POP-Avdel® / 76004

to which this declaration relates is in conformity with the following harmonized standards:

ISO 12100:2010	EN ISO 3744:2010
EN ISO 11202:2010	EN ISO 11148-1:2011
EN ISO 4413:2010	BS EN 28662-1:1993
EN ISO 4414:2010	EN ISO 20643:2008+A1:2012
EN ISO 28927-5:2009+A1:2015	ES100118-rev 17:2017

Technical documentation is compiled in accordance with Annex 1, section 1.7.4.1, in accordance with the following Directive:

**2006/42/EC The Machinery Directive**

(Statutory Instruments 2008 No 1597 - The Supply of Machinery (Safety) Regulations refers).

The undersigned makes this declaration on behalf of STANLEY Engineered Fastening.



**A. K. Seewraj**

**Director of Engineering, UK**

Avdel UK Limited, Stanley House, Works Road, Letchworth Garden City, Hertfordshire,  
SG6 1JY UNITED KINGDOM

**Place of Issue:** Letchworth Garden City, UK

**Date of Issue:** 01-13-2017

The undersigned is responsible for compilation of the technical file for products sold in the European Union and makes this declaration on behalf of Stanley Engineered Fastening.

**Matthias Appel**

**Team Leader Technical Documentation**

Stanley Engineered Fastening, Tucker GmbH, Max-Eyth-Str.1,  
35394 Gießen, Germany



**This machinery is in conformity with  
Machinery Directive 2006/42/EC**

## 7. UK DECLARATION OF CONFORMITY

We, **Stanley Engineered Fastening, Stanley House, Works Road, Letchworth Garden City, Hertfordshire, SG6 1JY UNITED KINGDOM**, declare under our sole responsibility that the product:

**Description:**

**ProSet® XT3 and ProSet® XT4 Hydro-Pneumatic tools for Blind Rivets**

**Model:**

**POP-Avdel® / 76003 and POP-Avdel® / 76004**

to which this declaration relates is in conformity with the following designated standards:

ISO 12100:2010	EN ISO 3744:2010
EN ISO 11202:2010	EN ISO 11148-1:2011
EN ISO 4413:2010	BS EN 28662-1:1993
EN ISO 4414:2010	EN ISO 20643:2008+A1:2012
EN ISO 28927-5:2009+A1:2015	ES100118-rev 17:2017

Technical documentation is compiled in accordance with the Supply of Machinery (Safety) Regulations 2008, S.I. 2008/1597 (as amended).

The undersigned makes this declaration on behalf of STANLEY Engineered Fastening.



**A. K. Seewraj**

**Director of Engineering, UK**

Avdel UK Limited, Stanley House, Works Road, Letchworth Garden City, Hertfordshire,  
SG6 1JY UNITED KINGDOM

**Place of Issue:**

**Letchworth Garden City, UK**

**Date of Issue:**

**01-13-2017**



This machinery is in conformity with  
**Supply of Machinery (Safety) Regulations 2008,**  
S.I. 2008/1597 (as amended)



## **8. PROTECT YOUR INVESTMENT!**

### **8.1 POP<sup>®</sup>AVDEL<sup>®</sup> BLIND RIVET TOOL WARRANTY**

STANLEY Engineered Fastening warrants that all power tools have been carefully manufactured and that they will be free from defect in material and workmanship under normal use and service for a period of one (1) year. This warranty applies to the first time purchaser of the tool for original use only.

#### **Exclusions:**

##### **Normal wear and tear.**

Periodic maintenance, repair and replacement parts due to normal wear and tear are excluded from coverage.

##### **Abuse & Misuse.**

Defect or damage that results from improper operation, storage, misuse or abuse, accident or neglect, such as physical damage are excluded from coverage.

##### **Unauthorized Service or Modification.**

Defects or damages resulting from service, testing adjustment, installation, maintenance, alteration or modification in any way by anyone other than STANLEY Engineered Fastening, or its authorized service centres, are excluded from coverage.

All other warranties, whether expressed or implied, including any warranties of merchantability or fitness for purpose are hereby excluded.

Should this tool fail to meet the warranty, promptly return the tool to our factory authorized service centre location nearest you. For a list of POP<sup>®</sup>Avdel<sup>®</sup> Authorized Service Centres in the US or Canada, contact us at our toll free number (877)364 2781.

Outside the US and Canada, visit our website **[www.StanleyEngineeredFastening.com](http://www.StanleyEngineeredFastening.com)** to find your nearest STANLEY Engineered Fastening location.

STANLEY Engineered Fastening will then replace, free of charge, any part or parts found by us to be defective due to faulty material or workmanship, and return the tool prepaid. This represents our sole obligation under this warranty.

In no event shall STANLEY Engineered Fastening be liable for any consequential or special damages arising out of the purchase or use of this tool.

### **8.2 REGISTER YOUR BLIND RIVET TOOL ONLINE.**

To register your warranty online, visit us at

<http://www.stanleyengineeredfastening.com/popavdel-powertools/warranty-card>.

Thank you for choosing a STANLEY Engineered Fastening's POP<sup>®</sup>Avdel<sup>®</sup> Brand tool.

©2017 Stanley Black & Decker inc.

版权所有。本手册仅为英文版的中文译本，仅供参考，最终以英文版为准。

未经史丹利工程紧固系统公司（史丹利百得旗下子公司）的事先明确书面允许，禁止以任何方式以及通过任何电子或机械手段复制和/或公开所提供的信息。本手册提供的信息基于本产品推出时所了解的资料。史丹利工程紧固系统公司致力于不断改进产品，因此公司产品可能随时发生变更。本手册中所提供的信息适用于史丹利工程紧固系统公司交付的产品。因此，史丹利工程紧固系统公司不会对由于与产品出厂技术参数偏差而产生的任何损坏承担责任。

可利用的信息经过精心编辑。但是，史丹利工程紧固系统公司不会对信息错误或因此导致的结果承担任何责任。史丹利工程紧固系统公司不会对由于第三方的行为而导致的损坏承担任何责任。根据注册商标保护法的规定，史丹利工程紧固系统公司使用的机构名称、商标名称、注册商标等资产均不可视为免费。

## 目录

<b>1. 安全说明</b> .....	<b>2</b>
1.1 通用安全规定 .....	2
1.2 发射危害 .....	2
1.3 操作危害 .....	3
1.4 重复性运动危害 .....	3
1.5 附件危害 .....	3
1.6 工作场所危害 .....	4
1.7 噪音危害 .....	4
1.8 振动危害 .....	4
1.9 气动工具附加安全说明 .....	4
<b>2. 规格</b> .....	<b>5</b>
2.1 拉帽枪规格 .....	5
2.2 放置要求 .....	6
2.3 包装内容 .....	7
2.4 主部件清单 .....	7
2.5 标准枪嘴装置 .....	7
<b>3. 拉帽枪设置</b> .....	<b>8</b>
3.1 枪嘴装置（参见图2） .....	8
3.2 气源（参见图3。） .....	8
3.3 工作原理 .....	9
<b>4. 操作程序</b> .....	<b>10</b>
4.1 拉帽枪操作（参见图1、4、5、6） .....	10
4.2 清空心轴收集器（参见图1） .....	10
<b>5. 拉帽枪维护</b> .....	<b>11</b>
5.1 维护频率 .....	11
5.2 枪嘴装置 .....	11
5.3 日常维护 .....	11
5.4 每周维护 .....	11
5.5 环保 .....	11
<b>6. 欧盟符合性声明</b> .....	<b>12</b>
<b>7. 英国符合性声明</b> .....	<b>13</b>
<b>8. 保护你的投资！</b> .....	<b>14</b>
8.1 POP®AVDEL® 拉帽枪保修 .....	14
8.2 在线登记您的拉帽枪 .....	14



安装或操作该拉帽枪的人员必须仔细阅读该《使用手册》，尤其特别注意遵循以下安全说明。



在操作工具期间，请始终佩戴防冲击护目镜。每次使用都应评估所需的防护等级。



根据员工指示以及职业健康与安全法规的要求使用听力保护装置。



使用此工具可能会使操作员的手遭受挤压、撞击、割伤、擦伤和高温等危险。佩戴合适的手套以保护手。

## 1. 安全说明

以下定义对每种警示词的严重等级进行了描述。请阅读本手册，并注意以下标志。



**危险：**表示紧急的危险情况。若不避免，可能会导致人员死亡或严重受伤。



**警告：**表示可能的危险情况。若不避免，可能会导致人员死亡或严重受伤。



**注意：**表示可能的危险情况。若不避免，可能会导致人员轻度或中度受伤。

**注意：**无安全警示标志随附时，表示可能的危险情况。若不避免，可能会导致财产损失。

对本产品操作或维护不当可能会导致人员严重受伤或者财产损失。

在使用本设备之前，阅读并理解所有的警示和操作说明。在使用强力工具时，务必遵循基本的安全注意事项，以降低人员受伤的风险。

### 保存所有警告和说明供未来参考

#### 1.1 通用安全规定

- 对于多种危险，请在安装、操作、维修、保养、更换配件或在该工具附近作业之前，阅读并理解安全说明。未做到这一点可能会导致严重的身体伤害。
- 只有具备资格并经过培训的操作人员才能安装、整或使用拉帽枪。
- 切勿使用史丹利工程紧固系统公司拉帽枪进行设计之外的用途。
- 仅可使用制造商推荐的部件、紧固件和配件。
- 切勿对拉帽枪进行改装。修改会降低安全措施的有效性，并增加操作员的风险。对于由客户对拉帽枪进行的任何改装所导致的后果，客户完全承担责任，所有适用的保修均无效。
- 不要丢弃安全说明，将它们交给使用方。
- 如果损毁请勿使用拉帽枪。
- 在使用之前，检查转动部件是否存在失调或者是否固定妥当、部件是否损坏以及可能影响拉帽枪使用的任何其他状况。若有损坏，在使用之前对拉帽枪进行维修。在使用之前，移除所有的调节键或扳手。
- 应当定期检查工具，以确保在工具上清楚地标出了ISO 11148 要求的额定值和标记。必要时，雇主/用户应联系制造商以获得更换标记标签。
- 该拉帽枪必须始终由经过培训的人员在安全的工作状况下进行维护以及定期对损坏状况进行检查。所有的拆卸工作必须只能由经过培训的人员进行。切勿未事先参照维护说明的情况下拆卸本工具。

#### 1.2 发射危害

- 在进行维护、尝试调整、匹配或移除枪嘴装置或附件之前，断开拉帽枪的供气。
- 请注意，工件或附件甚至插入的工具本身的故障都可能产生高速弹射。
- 在操作工具期间，请始终佩戴防冲击护目镜。每次使用都应评估所需的防护等级。
- 此时也应评估对他人的风险。
- 确保工件牢固固定。
- 检查防止紧固件和/或心轴弹出的保护措施是否到位并且有效。
- 未安装心轴收集器时请勿使用拉帽枪。
- 警告不要强行从工具正面弹出心轴。

- 切勿操作正对着人员的工具。

### 1.3 操作危害

- 使用此工具可能会使操作员的手遭受挤压、撞击、割伤、擦伤和高温等危险。佩戴合适的手套以保护手。
- 操作人员和维护人员应能够在身体上处理工具的主体、重量和动力。
- 正确握住工具，准备承受正常或突然的运动，并准备好双手。
- 保持拉帽枪的手柄干燥、清洁，无油污或油脂。
- 操作拉帽枪时应保持身体平衡、双脚站稳。
- 空气中断时，松开起停装置。
- 仅使用制造商推荐的润滑剂。
- 避免接触液压力。为避免皮疹，可在接触时彻底冲洗。
- 所有液压油和润滑剂的物料安全数据表，可向拉帽枪供应商索取。
- 避免不合适的姿势，因为这些姿势可能无法承受工具的正常或意外运动。
- 如果拉帽枪固定在悬挂装置上，请确保固定牢固。
- 如果未安装枪嘴装置，请当心挤压或夹伤危险。
- 切勿在枪嘴罩拿开的情况下操作拉帽枪。
- 在开始操作之前，需要与操作人员之间保持足够的间隙。
- 在将拉帽枪从一处携带至另外一处时，将手置于远离触发器的位置，避免意外触发。
- 切勿随意将拉帽枪掉落或用作锤子。
- 务必小心，保证心轴不会造成危险。
- 约半满时，心轴收集器必须清空。

### 1.4 重复性运动危害

- 使用工具时，操作员可能会感到手、手臂、肩膀、脖子或身体其他部位不适。
- 使用工具时，操作员应采取舒适的姿势，同时保持双足稳定，并避免尴尬或不平衡的姿势。作业任务较长时，操作员应变换姿势，有助于避免不适合疲劳。
- 如果操作员感觉到持续或反复出现不适、疼痛、脉动、疼痛、刺痛、麻木、灼热感或僵硬等症状，则不应忽略这些警告信号。使用方应告知员工并咨询具备资质的健康专业人士。

### 1.5 附件危害

- 安装或卸下枪嘴组件或附件之前，先将工具从气源上断开。
- 只能使用制造商推荐规格和型号的附件与耗材，不得使用其它类型或规格的附件或耗材。

### 1.6 工作场所危害

- 滑倒，绊倒和跌倒是造成工作场所伤害的主要原因。请注意因使用工具而导致的光滑表面，以及因空气管线或液压软管而引起的绊倒危险。
- 在陌生环境中请小心处理。可能存在隐患，例如电力或其他公用设施线。
- 该工具不适用于有爆炸危险的环境，而且不能与电源绝缘。
- 确保电缆、煤气管等没有损毁，否则会在使用时产生危险。
- 穿戴妥当。切勿穿着宽松的衣服或佩戴首饰。将头发、衣服和手套整理妥当，远离转动部件。宽松的衣服、首饰或者长头发可能会卷入转动部件中。
- 务必小心，保证心轴不会造成危险。

### 1.7 噪音危害

- 暴露于高噪声水平可能会导致永久性失聪和其他问题，例如耳鸣（嗡嗡声、蜂鸣声、吹口哨声）。因此，风险评估和对这些危害采取适当的控制措施至关重要。
- 降低风险的适当控制措施可能包括采取诸如阻尼材料之类的措施，以防止工件“嗡嗡作响”。
- 根据员工指示以及职业健康与安全法规的要求使用听力保护装置。
- 请按照说明手册中的建议操作和维护该工具，防止噪音不必要增加。
- 操作工具时，请确保心轴收集器内的消音器处于适当位置且工作状态良好。

### 1.8 振动危害

- 置身于振动环境会导致对手和手臂的神经和供血造成严重的损害。
- 在寒冷条件下工作时，请穿保暖服，并保持手部暖和干燥。
- 如果手指或手掌麻木、刺痛、疼痛或皮肤变白，请停止使用工具，告诉雇主并咨询医生。
- 尽可能在支架、张紧器或平衡器中支撑工具的重量，因为可以使用较轻的手柄来支撑工具。

### 1.9 气动工具附加安全说明

- 工作气源压力不可超过7巴 (100 PSI)。
- 压力空气可能造成重伤。
- 切勿将拉帽枪置于无人看管的状态。不使用拉帽枪时，更换配件之前或进行维修时，请断开空气软管。
- 请勿让心轴收集器上排气孔对着操作员和其它人员。切勿对自己或任何人直接吹气。
- 接出管可能造成重伤。务必检查软管和配件是否损坏或松动。
- 在使用之前，检查空气管线是否有破损、所有的连接是否牢固。切勿将重物掉落在空气软管上。尖锐的碰撞可能会导致内部损坏，从而引起空气软管过早损坏。
- 冷空气应远离双手。
- 无论何时使用通用扭力联轴器（爪形联轴器），均应安装锁定销，并应使用鞭打式安全电缆来防止可能的软管与工具或软管与软管的连接故障。
- 切勿通过空气软管提起拉帽枪。（操作或移动拉帽枪时）务必始终紧握手柄。
- 排气孔不可堵塞或遮盖。
- 避免灰尘或异物进入拉帽枪的液压系统，以免导致拉帽枪发生故障。

**史丹利工程紧固系统公司致力于持续开发和改进产品，有权随时更改产品规格，恕不提前通知。**

## 2. 规格

ProSet® XT3和XT4是液压气动工具，设计用于高速放置 Stanley Engineered Fastening 盲铆钉。此拉帽枪配有真空系统，可以固定铆钉，并且无故障地收集用完的心轴，无需考虑工具方向。

连接相关枪嘴装置时，ProSet®XT3 和 XT4 可用于放置 $\varnothing 4.0$  mm至 $\varnothing 6.4$  mm的盲铆钉。参见第10页了解所有铆钉可以放置位置的列表。

务必始终遵循第2和4页的安全说明。

请勿在潮湿环境下或有可燃液体或气体的条件下使用。

### 2.1. 拉帽枪规格

	XT3		XT4	
拉力: @ 5.5巴	17.0 kN	3822 lbf	23.0 kN	5193 lbf
气源压力: 最小至最大	5.0 - 7.0巴	72.5 - 101.5 lbf/in <sup>2</sup>	5.0 - 7.0巴	72.5 - 101.5 lbf/in <sup>2</sup>
油压: 拉 @ 5.5巴	290 bar	4206 lbf/in <sup>2</sup>	395 bar	5729 lbf/in <sup>2</sup>
行程活塞最行程:	26.0 mm	1.02 in.	18.0 mm	0.91 in.
重量: 包含枪嘴装置	2.24 kg	4.94 lb	2.26 kg	4.98 lb
重量: 无枪嘴装置	2.00 kg	4.41 lb	2.02 kg	4.41 lb
自由空气量: @ 5.5巴	6.3升	384.4 in <sup>3</sup>	6.3升	384.4 in <sup>3</sup>
循环时间: 约	0.9秒		1.0秒	

噪声值根据噪声测试标准 ISO 15744 和 ISO 3744 进行。		XT3	XT4
A 加权声功率级, $L_{WA}$	不确定噪声: $k_{WA} = 3.0$ dB(A)	90.3 dB(A)	89.7 dB(A)
工作场所 A 加权声压等级 dB(A)、 $L_{pA}$	不确定噪声: $k_{pA} = 3.0$ dB(A)	79.3 dB(A)	78.7 dB(A)
C 加权声压等级 dB(C), $L_{pC}$ , 峰值	不确定噪声: $k_{pC} = 3.0$ dB(C)	82.7 dB(C)	81.5 dB(A)

振动值根据振动测试规定 ISO 20643 和 ISO 5349 确定。		XT3	XT4
振动发射级别, $a_{hd}$ :		1.41 m/s <sup>2</sup>	1.80 m/s <sup>2</sup>
不确定性振动: k		0.70 m/s <sup>2</sup>	0.90 m/s <sup>2</sup>
声明的振动发射值符合 EN 12096			

## 2.2 放置要求

铆钉类型	铆钉直径 mm [inches]										
	4 [5/32]	4,3	4,8 [3/16]	6	6,4 [1/4]	7	8	9	10	11	12
开端	●*		●**		●						
闭端	●*		●**		●						
HR	●*		●		●						
HS					● (3)						
Multi-Grip	●*		●**		●						
TL	●*		●								
T形铆钉 (Emhart)	●*		●		●						
自插头	●*		●		●						
Ultra Grip (UG) (NPR)					⊗ (3)						
CD					● (3)						
Avex®	● (2)		● (2)		● (2)						
Stavex®	● (2)		● (2)		● (1)(3)						
Avinox®/ Avibulb®	● (2)		● (2)	● (2)							
Avinox®XT / Avibulb®XT					● (1)(3)						
LSR/Bulbex®	● (2)		● (2)								
T-Lok®		● (2)	● (2)								
Avdel® SR	● (2)		● (2)		● (2)						
Hemlok®					● (1)(3)						
Interlock®			⊗ (2)		⊗ (1)(3)						
Maxlok®			● (3)		④ (3)						
Monobolt®			⊗ (1) (2)		⊗ (1)(3)						
Avtainer®									④ (1)(3)		
Avseal® (STD)				● (1) (3)		● (1)(3)	● (1)(3)	● (1)(3)	④ (1)(3)		
Avseal® (低 压)						● (1) (3)	● (1)(3)	● (1)(3)	④ (1) (3)	④ (1) (3)	
Q铆钉	● (2)		● (2)		● (2)						
T形铆钉 (Avdel)			● (1) (2)		● (1)(2)						
Avdelmate®			● (2)		● (2)						
Klamp-Tite® BAPK			⊗ (2)		⊗ (2)						
Klamp-Tite® BAPKTR			⊗ (1) (2)		⊗ (1)(2)						
Avdelok®			● (3)		④ (3)						

\* 使用PRG540-46夹爪和FAN276-064 夹爪推杆组件

\*\* 使用PRG540-46夹爪。

● 如果适用于 XT3 和 XT4拉帽枪

(1) 需要非标准枪嘴件

⊗ 如果只适用于 XT3 拉帽枪

(2) 替代型号的枪嘴装置

④ 如果只适用于 XT4 拉帽枪

(3) 需要非标准枪嘴装置。

有关各铆钉类型的兼容枪嘴装置的完整列表，以及安装和维护说明，参见ProSet®枪嘴装置手册 07900-09414

## 2.3 包装内容

- 1 ProSet®XT3 或 XT4 拉帽枪。
- 1 套标准枪嘴装置及枪嘴件（适用于 4.8mm [3/16"] 和 6.4mm [1/4"] 铆钉。
- 1 本印刷使用说明 - 具体区域各有不同

## 2.4 主部件清单

参见图1和2及下表。

序号	零件号	说明	数量
1	76003-15000*	标准枪嘴装置	1
2	76003-02022	吊钩	1
3	76003-05200	心轴收集器	1
4	07001-00405	油塞	1
5	07003-00194	密封	1
6	76003-02008	触发器	1
7	76003-03700	开关阀	1
8	71210-02103	防松螺母	1

## 2.5 标准枪嘴装置

参见图2和下表。

序号	零件号	说明	数量
1c	PRN614	枪嘴件 - 4.8 mm [3/16"] (已安装)	1
1d	PRN811	枪嘴件 - 6.4 mm [1/4"]	1
1e	76003-15001	枪嘴外壳	1
1f	07003-00067	O形圈	1
1g	DPN276-001	夹爪导向装置	1
1h	PRG540-44	夹爪	1套
1i	DPN276-006	夹爪推杆	1
1j	DPN900-060	O形圈	1
1k	DPN901-019	夹爪推杆弹簧	1
1l	76003-15002	拉头	1
1m	76003-15004	夹爪导向锁	1
1n	DPN901-020	弹簧	1
1o	76003-15003	拉头适配器	1
1p	07003-00277	O形圈	1

有关枪嘴装置的更多信息，请参见ProSet®枪嘴装置手册 07900-09414 或访问 [www.stanleyengineeredfastening.com/resource-center/document-library](http://www.stanleyengineeredfastening.com/resource-center/document-library) 有关拉帽枪附件的完整列表，参见ProSet附件手册07900-09415。

\* 枪嘴装置不提供 Proset XT3 Base Tool (76003-01000) 和 Proset XT4 Base Tool (76004-01000)。



### 3. 拉帽枪设置

**重要提示 - 使用拉帽枪之前，请仔细阅读第6页和第8页的安全警告。**

**重要提示 - 在装配或拆卸枪嘴装置之前，必须关闭或断开气源。**

#### 3.1 枪嘴装置（参见图2）

粗体项号涉及第11页图1和2以及表格上的组件。

完整的拉帽枪预装用于4.8mm [3/16"] 铆钉枪嘴件。

适用于6.4mm [1/4"] 铆钉的附加枪嘴件单独提供。

##### 安装枪嘴件

- 空气供给必须断开。
- 针对安装的铆钉选择正确的枪嘴件。
- 取下枪嘴外壳（**1e**）、包括枪嘴件（**1a、b、c或d**）和O圈（**1f**）
- 将枪嘴件（**1a、b、c或d**）从枪嘴外壳（**1e**）取下
- 安装相反顺序选择相关尺寸的枪嘴件和组件。

##### 取下整个枪嘴装置

- 空气供给必须断开。
- 取下枪嘴外壳（**1e**）、包括拉帽枪中的枪嘴件（**1a、b、c或d**）和O圈（**1f**）。
- 逆向（**1n**）弹簧拉回夹爪导向锁（**1m**）并取下夹爪导向装置（**1g**）。
- 从夹爪导向装置（**1g**）取下夹爪（**1h**）。
- 将夹爪推杆（**1i**）、O形圈（**1j**）、夹爪推杆弹簧（**1k**）从拉头（**1l**）中取出。
- 使用夹具将拉头组件（**1q**）从拉帽枪活塞中取出。

##### 安装整个枪嘴装置

- 空气供给必须断开
- 所有已经磨损或损坏的部件必须更换。
- 清洁并检查架爪是否磨损（**1h**）。
- 确保夹爪推杆（**1i**）或夹爪推杆弹簧（**k**）无异常。
- 使用复合锂基油脂稍微涂抹夹爪（**1h**）。
- 放入夹爪（**1h**）至夹爪导向装置（**1g**）中。
- 插入夹爪导向锁（**1i**）和O形圈（**1j**）至拉头（**1l**）中。
- 拉回夹爪导向锁（**1m**）和完全旋入夹爪导向装置（**1g**）至拉头（**1l**）上。
- 松开夹爪导向锁（**1m**）并随后部分松开夹爪导向装置（**1g**），直至夹爪导向锁（**1m**）齿卡入夹爪导向装置（**1g**）的下一个槽。
- 放入枪嘴外壳（**1e**）至夹爪导向装置上（**1g**）并完全拧紧至拉帽枪上。

应每周对枪嘴装置进行一次维护。请储备一定数量枪嘴组件内部部件和枪嘴尖，因为它们需要定期更换。

#### 3.2 气源（参见图3。）

组件

- 停止旋塞（维护过滤器/常规单元或润滑单元期间使用）
- 调压器和过滤器（日程排放）
- 主排放点
- 主供应装置关闭点

- 所有的拉帽枪均采用最低5.0巴压力的压缩空气。
- 位于拉帽枪3米以内的主气源上将采用压力调节器和自动加油/过滤系统（参见图3）。
- 气源软管的最低有效工作压力额定值至少是系统所产生最高压力的150%或10巴（两者取较高值）。
- 空气软管必须耐油，外部耐磨；在软管可能受损的情况下，加装保护层。
- 所有的空气软管必须具有最小6.4毫米的孔径。
- 检查是否存在空气泄漏。若有损坏，必须采用新软管和管接头进行更换。
- 若压力调节器上无过滤器，在将空气管线连接到拉帽枪之前，将空气管线放空，清除累积的灰尘或水。

### 3.3 工作原理

**注意- 正确的气源压力对于拉帽枪的正常使用至关重要。当压力不合适时，可能会导致人员受伤或拉帽枪损坏。**

**气源压力不可超出拉帽枪技术参数中所列的数值。**

粗体项号涉及第11页图1和2以及表格上的组件。

如果气动软管连接至拉帽枪，拉动和返回循环通过抑制和释放手柄上的触发器 **(6)** 进行控制。

- 气源断开。
- 按照第10和12页所述，连接相应的枪嘴装置。
- 连接气动软管至空气开关阀 **(7)**。
- 连接气动软管总气源。
- 通过滑动空气开关阀**(7)**至向上位置开启拉帽的主供应。
- 空气现在供给至拉帽枪，同时真空系统运行。
- 拉动并松开触发器 **(6)** 数次，使拉帽枪全行程运动，借此检查操作情况。注意拉帽枪的操作。检查是否存在液体或空气泄漏。

## 4. 操作程序

### 4.1 拉帽枪操作 (参见图1、4、5、6)

#### 安装盲铆钉

- 确保心轴收集器 (3)已安装。
- 插入铆钉心轴至枪嘴件中 (1a、b、c或d)。真空系统保持铆钉在枪嘴件中。
- 放置拉帽枪。
- 检查枪嘴装置是否与工件垂直 (90° )。
- 拉住触发器 (6) , 直至铆钉完全埋入应用中。
- 如果铆钉已正确埋入, 批准触发器 (6)。拉帽枪自动返回初始位置。心轴自动通过真空系统掉落在心轴收集器 (3)中。
- 半满前, 心轴收集器必须清空。

**注意 - 请勿暴力插入铆钉心轴或铆钉体。这将损毁拉帽枪或应用。**

### 4.2 清空心轴收集器 (参见图 1)

#### 注意 - 心轴收集器取下时请勿使用机器

- 拉帽枪配有快速连接/释放心轴收集器 (3) 。
- 旋转60° 将取下或更换心轴收集器
- 将心轴收集器 (3) 从拉帽枪中取出, 真空铆钉固定和心轴抽回系统自动关闭。
- 重新安装心轴收集器将开启真空系统。

## 5. 拉帽枪维护

### 5.1 维护频率

必须由经过培训的人员对拉帽枪进行定期维护，每年或每使用50万次（先到者为准）进行一次全面检查。



断开气源



注意- 禁止使用溶剂或其他刺激性化学品清洁拉帽枪的非金属部件。这些化学品可能会降低这些部件中所使用材质的性能。

### 5.2 枪嘴装置

应每周或每使用5000次对枪嘴装置进行一次维护。请储备一定数量枪嘴组件内部部件和枪嘴件，因为它们需要定期更换。

- 断开气源。
- 采用与装配手册第3.1.节中的顺序，拆卸整套枪嘴装置。
- 检查所有组件所有已经磨损或损坏的部件必须采用新部件进行更换。
- 特别是检查夹爪是否磨损（**1h**）。
- 清洁所有部件并涂抹复合锂基脂（07992-00020）至夹爪（**1h**）和夹爪导向装置（**1g**）的镗圆锥孔上。
- 根据第3.1节装配手册的说明进行组装。

### 5.3 日常维护

- 使用前，检查拉铆枪、软管和连接器是否漏气、漏油。如果损毁，停用部件并使用新部件更换受影响的部件。
- 若压力调节器上无过滤器，在将空气管线连接到拉帽枪之前，将空气管线放空，清除累积的灰尘或水。如果有过滤器，排空。
- 检查枪嘴装置（**1**）是否妥善安装，保证铆钉能够正确放置。
- 检查拉帽枪的冲程是否符合最低要求（参见2.1）。
- 心轴收集器（**3**）必须安装至拉帽枪。
- 检查气室是否完全拧紧在拉帽枪体上。

### 5.4 每周维护

- 检查拉铆枪、软管和连接器是否漏气、漏油。如果损毁，停用部件并使用新部件更换受影响的部件。有关完整的服务、故障排除和维护说明，参见服务手册编号 07900-09410（XT3）和07900-09411（XT4）。

有关拉帽枪中所使用油脂的安全数据，参见服务手册07900-09410（XT3）和07900-09411（XT4）。

### 5.5 环保

确保符合适用的处置规定。将所有废品弃置于经批准的废品处理设施或场所，以免对人员和环境造成危害。

## 6. 欧盟符合性声明

兹声明, Stanley Engineered Fastening, Stanley House, Works Road, Letchworth Garden City, Hertfordshire, SG6 1JY 英国, 对于下列产品承担单独责任:

**说明:** ProSet® XT3 和 ProSet® XT4 液压气动拉帽枪  
**型号:** POP-Avdel® / 76003 和 POP-Avdel® / 76004

符合以下兼容标准:

ISO 12100:2010	EN ISO 3744:2010
EN ISO 11202:2010	EN ISO 11148-1:2011
EN ISO 4413:2010	BS EN 28662-1:1993
EN ISO 4414:2010	EN ISO 20643:2008+A1:2012
EN ISO 28927-5:2009+A1:2015	ES100118-rev 17:2017

技术文件根据附件1第1.7.4.1节汇编, 符合以下指令:  
2006/42/EC 机械指令  
《法规汇编 2008》第1597条 - 机械供应 (安全) 条例规定。

签名人代表 STANLEY Engineered Fastening。



**A. K. Seewraj**  
工程部总监 (英国)

Avdel UK Limited (地址: Stanley House, Works Road, Letchworth Garden City, Hertfordshire, SG6 1JY 英国)

**签发地点:** Letchworth Garden City, 英国  
**签发日期:** 2017年1月13日

签名下方的 负责汇编在欧盟出售的产品的技术文件, 并代表 Stanley Engineered Fastening 进行此声明。

Matthias Appel  
技术文档团队领导  
Stanley Engineered Fastening, Tucker GmbH, Max-Eyth-Str.1,  
35394 Gießen, 德国

 本机符合  
2006/42/EC 机械指令

## 7. 英国符合性声明

兹声明, Stanley Engineered Fastening, Stanley House, Works Road, Letchworth Garden City, Hertfordshire, SG6 1JY 英国, 对于下列产品承担单独责任:

**说明:** ProSet® XT3 和 ProSet® XT4 液压气动拉帽枪  
**型号:** POP-Avdel® / 76003 和 POP-Avdel® / 76004

符合以下指定标准:

ISO 12100:2010	EN ISO 3744:2010
EN ISO 11202:2010	EN ISO 11148-1:2011
EN ISO 4413:2010	BS EN 28662-1:1993
EN ISO 4414:2010	EN ISO 20643:2008+A1:2012
EN ISO 28927-5:2009+A1:2015	ES100118-rev 17:2017

技术文档是根据《2008 年机械供应（安全）条例》（S.I. 2008/1597）（修订）编制。

签名人代表 STANLEY Engineered Fastening。



**A. K. Seewraj**  
**工程部总监 (英国)**

Avdel UK Limited (地址: Stanley House, Works Road, Letchworth Garden City, Hertfordshire, SG6 1JY 英国)

**签发地点:** Letchworth Garden City, 英国  
**签发日期:** 2017年1月13日



本机符合  
 机械供应（安全）条例规定 2008,  
 (S.I. 2008/1597) (修订)。

## 8. 保护你的投资！

### 8.1 POP®AVDEL® 拉帽枪保修

史丹利工程紧固系统公司在此保证：所有拉帽枪均已经过精心制造，在材质和工艺方面均无缺陷，正常使用情况下提供一(1)年保修。

该保修仅适用于拉帽枪首次购买者按设计用途使用的情况。

#### **例外情况：**

##### **正常磨损**

由于正常磨损而进行的定期维护、维修和更换部件不在保修范围之内。

##### **滥用和误用。**

由于操作和/或存储不当、误用或滥用、事故或疏忽导致的缺陷或损坏不在保修范围之内。

##### **未授权服务或改装。**

由史丹利工程紧固系统公司之外的其他人员或其授权的维修中心以任何方式进行的维修、测试调整、安装、维护、变更或改装而产生的缺陷或损坏不在保修范围之内。

所有其他明示或暗示保修，包括适销性或用途匹配性方面的保修，不包括在本保修范围之内。

若该拉帽枪不符合保修规定，请立即将其返回离您最近的我公司授权维修中心。若要了解美国或加拿大境内的POP®Avdel®授权维修中心情况，请拨打我们的免费电话(877)364 2781，与我们联系。

对于美国和加拿大境外的史丹利工程紧固系统公司分支机构，请访问我们的网站**www.StanleyEngineeredFastening.com**，了解离您最近的分支机构情况。

史丹利工程紧固系统公司将免费更换我们发现的由于故障材质或制造原因而产生缺陷的任何部件，然后采用运费预付的方式将产品返回给客户。这表示我公司完全承担本保修项下的责任。

对于超出本拉帽枪适用范围所导致的任何间接或特殊损坏，我司概不负责。

### 8.2 在线登记您的拉帽枪

若要在线登记您的产品保修，请访问我们的网站：

<http://www.stanleyengineeredfastening.com/popavdel-powertools/warranty-card>。

感谢您选择史丹利工程紧固系统公司的POP®Avdel®拉帽枪。

©2017 Stanley Black & Decker inc.

無断転載禁止

本説明書で示された情報は、STANLEY Engineered Fastening からの事前の明示および書面による許可なしに、いかなる手段 (電子的または機械的) によっても複製かつまたはいかなる方法による公開も許可しません。示された情報は、本製品の紹介時点で知られたデータに基づいています。STANLEY Engineered Fastening は絶え間ない製品開発のポリシーを遂行するため、製品の仕様は変更の対象となる場合があります。示された情報は、STANLEY Engineered Fastening によって納品された時点で製品に適用されます。そのため、STANLEY Engineered Fastening は製品のオリジナルな仕様からかけ離れていることに起因する損傷については責任を持つことはできません。

利用可能な情報は最大限の注意を払って整理しました。しかし、STANLEY Engineered Fastening は情報のいかなる誤りおよびそれが原因で生じる結果に関しても責任を受け入れません。STANLEY Engineered Fastening は、第三者によって行われた行為によって引き起こされた損傷についての責任を受け入れません。STANLEY Engineered Fastening によって使用される作業名、取引き名、登録商標などは、商標保護の観点から自由で法律に準拠するものとはみなされません。

## 目次

1.	安全の定義 .....	2
1.1	一般安全ルール .....	2
1.2	発射の危険 .....	2
1.3	操作の危険 .....	3
1.4	繰返し動作の危険 .....	3
1.5	アクセサリの危険 .....	3
1.6	作業場の危険 .....	4
1.7	ノイズの危険 .....	4
1.8	振動の危険 .....	4
1.9	空圧電動ツールのための追加安全指示 .....	4
2.	仕様 .....	5
2.1.	ツールの仕様 .....	5
2.2	打ち込み仕様 .....	6
2.3	パッケージ内容 .....	7
2.4	主要部品のリスト .....	7
2.5	標準ノーズ装置 .....	7
3.	ツールの準備 .....	8
3.1	ノーズ装置 (写真 2 を参照) .....	8
3.2	エア供給 (図 3 を参照) .....	8
3.3	操作の基本原則 .....	9
4.	操作の手順 .....	10
4.1	ツールの操作 (図1、4、5、6 を参照) .....	10
4.2	マンドレルコレクターを空にする (図 1 を参照) .....	10
5.	ツールの保守 .....	11
5.1	保守の頻度 .....	11
5.2	ノーズ装置 .....	11
5.3	毎日の保守 .....	11
5.4	毎週の保守 .....	11
5.5	環境保護 .....	11
6.	EC 法令順守の宣言 .....	12
7.	英国の適合宣言 .....	13
8.	投資の保護 .....	14
8.1	POP®AVDEL® ブラインドリベット ツールの保証 .....	14
8.2	ブラインドリベット ツール オンラインへの登録 .....	14





この操作説明書は、以下の安全上のルールについて特に注意を払いながらツールを組立てまたは操作をする人に読んで頂く必要があります。



ツールの操作中は、必ず耐衝撃性の目の保護具を着用してください。必要な保護等級は、使用ごとに評価します。



雇用主の指示に応じて、労働安全衛生規制の要求に従い、聴覚保護具を使用してください。



このツールを使用すると、オペレータの手が、つぶれ、衝撃、切り傷、擦り傷、熱などの危険にさらされる可能性があります。適切な手袋を着用して手を保護してください。

## 1. 安全の定義

下記の定義は各シグナルの言葉に対する重大さのレベルを示しています。マニュアルを良く読み、これらの表示に注意を払ってください。



**危険:** この表示を無視した場合、人が死亡または重傷を負うであろう差し迫った危険な状況を示します。



**警告:** この表示を無視した場合、人が死亡または重傷を負う可能性がある潜在的な危険な状況を示します。



**注意:** この表示を無視した場合、経度または中程度の障害を負う場合がある潜在的な危険な状況を示します。

**注意:** 表示を無視した場合、潜在的な危険な状況を示す安全上の警告表示なしで使用すると、資産が損傷を受ける場合があります。

本製品の不適切な操作または保守を行った場合は、重傷および資産の損傷を招く可能性があります。本機を使用する前に、すべての警告および操作の説明を読み理解してください。電動ツールを使用するときは、怪我のリスクを減らすために基本的な安全上の注意を必ず守る必要があります。

今後も参考にして頂くため、警告と取扱い説明書はすべて保管してください

### 1.1 一般安全ルール

- 複数の危険がある場合は、ツールの取り付け、操作、修理、保守、アクセサリの交換、またはツールの近くで作業する前に、安全に関する指示を読んで理解してください。そうしないと、重大な人身事故につながる可能性があります。
- 認定されたトレーニングを受けたオペレータのみが、ツールを取り付け、調整、または使用する必要があります。
- 位置決め STANLEY 締付け工具ブラインド リベットの設計意図を外れた使用はしないでください。
- 製造会社が推奨する部品、締付け具、アクセサリのみを使用してください。
- ツールを改造しないでください。改造すると、安全対策の有効性が低下し、オペレータのリスクが高まります。本機に対する改造がお客様によってなされた場合、すべての責任はお客様になり保証の適用は受けられなくなります。
- 安全上の指示を破棄しないでください。それらをオペレータに渡してください。
- ツールが破損している場合は使用しないでください。
- 使用前には、可動部品の不整列または結合、部品の損傷、その他本機の操作に影響を与える状態がないかを確認してください。損傷がある場合は、使用する前に本機の保守を受けてください。使用する前に調整キーまたはレンチを取り外してください。
- ツールは定期的に点検して、ISO 11148のこの部分に必要な定格とマーキングがツールに判読可能にマークされていることを確認します。雇用者/ユーザーは、必要に応じて製造元に連絡し、交換用のマーキングレベルを入手します。
- 本機は常に安全な作業状態が維持され、訓練を受けた担当者によって損傷や機能を確認するために定期的に検査を受ける必要があります。分解作業は訓練を受けた担当者によってのみ行ってください。保守の説明を予め参照することなく本機を分解しないでください。

### 1.2 発射の危険

- 保守作業の前、ノーズアセンブリまたはアクセサリの調整、取り付け、取外しをする前には本機からエアの供給を外してください。
- ワークピースやアクセサリ、または挿入されたツール自体の故障が高速発射物を生み出す可能性があることに注意してください。

- ツールの操作中は、必ず耐衝撃性の目の保護具を着用してください。必要な保護等級は、使用ごとに評価します。
- この際、他者への危険も評価します。
- ワークピースがしっかりと固定されていることを確認します。
- ファスナーおよび/またはマンドレルの排出から保護する手段が所定の場所にあり、適切に機能していることを確認します。
- マンドレル コレクターを取り付けずにツールを使わないでください。
- ツールの前面からマンドレルが強制的に排出される可能性があることを警告します。
- 人に向けての本機の操作は行わないでください。

### 1.3 操作の危険

- このツールを使用すると、オペレータの手が、つぶれ、衝撃、切り傷、擦り傷、熱などの危険にさらされる可能性があります。適切な手袋を着用して手を保護してください。
- オペレータと保守担当者は、ツールの大きさ、重量、およびパワーを物理的に取り扱うことができる必要があります。
- ツールを正しく保持します。通常または突然の動きに対処する準備をし、両手が使える状態にします。
- 本機のハンドルの部分は乾いたきれいな状態を保ち、油やグリスの付着がないようにしてください。
- ツールを操作するときは、バランスのとれた姿勢を維持し、足場を確保してください。
- エア供給が中断した場合は、スタートアンドストップ（開始停止）装置を解除してください。
- 製造元が推奨する潤滑剤のみを使用してください。
- 油圧油に触れることは避けてください。万一触れてしまった場合は、発疹が出る可能性を最小限にするために、完全に洗い流すように十分注意してください。
- 油圧油および潤滑油のデータシートは、ツール供給者に請求することで利用できます。
- こうした姿勢では、ツールの通常または予期しない動きに対処することがおそろくできないため、不適切な姿勢は避けてください。
- ツールがサスペンション装置に固定されている場合は、固定がしっかりしていることを確認してください。
- ノーズ装置が取り付けられていない場合、つぶされたりつままれたりする危険に注意してください。
- ノーズハウジングを外した状態で操作しないでください。
- 本機のオペレータの手が前進する前に適切なクリアランスが必要です。
- 本機を持ち運ぶ場合は、トリガから手を離して不注意な起動を避けてください。
- 本機をハンマーとして落とすまたは使うことで乱用しないでください。
- 使用したマンドレルが危険にならないように十分注意してください。
- マンドレル コレクターはいっぱいのおよそ半分になったら空にする必要があります。

### 1.4 繰返し動作の危険

- このツールを使用すると、オペレータは手、腕、肩、首、またはその他の体の部分に不快感を覚える可能性があります。
- ツールを使用している間、オペレータは安全な足場を確保し、ぎこちない姿勢やバランスが崩れた姿勢をしないようにしながら、快適な姿勢を保つ必要があります。オペレータは長時間の作業中に姿勢を変える必要があります。それは不快感や疲労を防止するのに役立ちます。
- オペレータに持続するまたは再発する不快感、痛み、ズキズキする痛み、うずくような痛み、チクチクする痛み、しびれ、灼熱感、またはこわばりなどの症状がある場合、これらの警告サインを無視してはいけません。オペレータは雇用主に伝え、資格のある医療専門家に相談してください。

### 1.5 アクセサリの危険

- ノーズアセンブリまたはアクセサリを取り付けたり取り外したりする前に、ツールをエア供給から外します。
- ツールの製造元が推奨するサイズとタイプのアクセサリと消耗品のみを使用してください。他のタイプまたはサイズのアクセサリまたは消耗品を使用しないでください。

### 1.6 作業場の危険

- スリップ、つまずき、転倒は、作業場の怪我の主な原因です。ツールの使用によって引き起こされる滑りやすい表面と、エアラインまたは油圧ホースによって引き起こされるつまずきの危険に注意してください。
- 不慣れた環境の中で注意して続けてください。電気やその他のユーティリティラインなどの隠れた危険がある可能性があります。
- このツールは、爆発の可能性のある雰囲気での使用を想定しておらず、電力との接触に対して絶縁されていません。

- ツールの使用により損傷した場合に危険を引き起こす可能性のある電気ケーブル、ガス管などが無いことを確認してください。
- 衣服をきちんと着用してください。だぶだぶの衣服やジュエリーを身につけないでください。髪、衣服、手袋を可動部分から離してください。だぶだぶの衣服、ジュエリーや長い髪は可動部分に引き込まれる可能性があります。
- 使用したマンドレルが危険にならないように十分注意してください。

#### 1.7 ノイズの危険

- 高いノイズレベルにさらされると、永続的な聴覚障害や耳鳴りなどのその他の問題（耳鳴り、うなり、ヒューヒュー音、プンプン音）を引き起こす可能性があります。そのため、リスク評価とこれらの危険に対する適切な管理の実施が不可欠です。
- リスクを低減するための適切な管理には、ワークピースの「耳鳴り」を防止するための制振材などの処置が含まれる場合があります。
- 雇用主の指示に応じて、労働安全衛生規制の要求に従い、聴覚保護具を使用してください。
- 騒音レベルの不必要な上昇を防ぐために、取扱説明書で推奨されているようにツールを操作し保守してください。
- ツールの操作中は、マンドレルコレクター内の消音器が適切に機能していることを確認してください。

#### 1.8 振動の危険

- 振動にさらされると、手や腕の神経や血液供給に障害を引き起こす可能性があります。
- 寒い場所で作業するときは暖かい服を着て、手を暖かく乾いた状態に保ってください。
- 指や手の皮膚のしびれ、うずき、痛み、または白化を経験した場合は、ツールの使用を中止し、雇用主に連絡して医師に相談してください。
- 軽量のグリップを使用してツールを支持できるため、スタンド、テンショナー、またはバランサーでツールの重量を支えます。

#### 1.9 空圧電動ツールのための追加安全指示

- 運転の供給エアは 7 bar (100 PSI) を超えないようにしてください。
- 加圧エアは重傷を引き起こす可能性があります。
- 本機を人がいない状態で動作させないでください。ツールを使用していないとき、アクセサリを交換する前、または修理を行うときは、エアホースを外してください。
- マンドレル コレクターの正面をオペレータまたはその他の人々の方向に向けてエア排気が開いたままにしないでください。自分や他の人にエアを向けないでください。
- ホースを急に動かすと、重傷を負う可能性があります。ホースや継手の損傷や緩みがないか常に確認してください。
- 使用する前に、エア配管に損傷がないか検査してください。接続部はすべてしっかり締められている必要があります。ホースの上に重い物を落とさないでください。鋭い衝撃は内部の損傷の原因になりホースの欠陥を早期に招く場合があります。
- 冷気は手から遠ざけます。
- ユニバーサルツイストカップリング（クローカップリング）を使用する場合は、必ずロックピンを取り付け、ホイップチェック安全ケーブルを使用して、ホースとツールまたはホースとホースの接続不良が起きないよう保障措施を講じます。
- ホースで位置決めツールを持ち上げないでください。必ず位置決めツールのハンドルを使用してください。
- 通気穴はブロックされたりカバーされたりしないようにしてください。
- 本機が誤動作する原因になるため、本機の油圧システムに汚れ、異物が付かないようにしてください。

STANLEY 締付け工具のポリシーは、絶え間ない製品開発および改善の一つであり、STANLEY は事前の通知なく製品の仕様を変更する権利を有しています。

## 2. 仕様

The ProSet®XT3&XT4は、STANLEY 締付け工具ブラインド リベットを高速で配置するように設計された油空圧工具です。工具の向きに関係なく、リベットの保持と使用済みのマンドレルのトラブルのない収集のための真空システムを備えています。

関係するノイズ装置と共に使えば、ProSet®XT3&XT4を使用して、 $\varnothing$  4.0mm から  $\varnothing$  6.4mm.の範囲のブラインドリベットを打ち付けることができます。打ち付けることができるすべてのリベットの一覧については、10 ページの表を参照してください。

2 ページ、4 ページの安全上の指示は常時順守する必要があります。

濡れた状態や可燃性の液体や気体のある場所では使用しないでください。

### 2.1. ツールの仕様

	XT3		XT4	
引込み力: 5.5 bar 当たり	17.0 kN	3822 lbf	23.0 kN	5193 lbf
エア供給圧: 最小から最大まで	5.0~7 bar	72.5~101.5 lbf/in <sup>2</sup>	5.0~7 bar	72.5~101.5 lbf/in <sup>2</sup>
オイル圧: 5.5 bar 当たり	290 bar	4206 lbf/in <sup>2</sup>	395 bar	5729 lbf/in <sup>2</sup>
ストローク: 最小ピストン ストローク	26.0 mm	1.02 in.	18.0 mm	0.91 in.
重量: ノーズ装置を含めて	2.24 kg	4.94 lb	2.26 kg	4.98 lb
重さ: ノーズ装置を含めない	2.00 kg	4.41 lb	2.02 kg	4.41 lb
フリーエアの体積: 5.5 bar 当たり	6.3 ltr	384.4 in <sup>3</sup>	6.3 ltr	384.4 in <sup>3</sup>
サイクルタイム: 約	0.9 秒		1.0 秒	

ノイズテストコードISO 15744およびISO 3744に従って決定されたノイズ値。		XT3	XT4
A特性音響パワーレベルdB(A)、 $L_{WA}$	不確定ノイズ: $k_{WA} = 3.0$ dB(A)	90.3 dB(A)	89.7 dB(A)
ワークステーションでのA特性放出音圧レベルdB(A)、 $L_{pA}$	不確定ノイズ: $k_{pA} = 3.0$ dB(A)	79.3 dB(A)	78.7 dB(A)
C特性ピーク放出音圧レベルdB(C)、 $L_{pC}$ 、ピーク	不確定ノイズ: $k_{pC} = 3.0$ dB(C)	82.7 dB(C)	81.5 dB(A)

振動テストコードISO 20643およびISO 5349に従って決定された振動値。		XT3	XT4
振動放出レベル $a_{hd}$ :		1.41 m/s <sup>2</sup>	1.80 m/s <sup>2</sup>
不確定振動:k		0.70 m/s <sup>2</sup>	0.90 m/s <sup>2</sup>
EN 12096に基づき宣言された振動放出値			

## 2.2 打ち込み仕様

リベットタイプ	リベット径 mm [inch]										
	4 [5/32]	4,3	4,8 [3/16]	6	6,4 [1/4]	7	8	9	10	11	12
開端	●*		●**		●						
閉端	●*		●**		●						
HR	●*		●		●						
HS					● (3)						
マルチ グリップ	●*		●**		●						
TL	●*		●								
T リベット (Emhart)	●*		●		●						
セルフ充填器	●*		●		●						
ウルトラ グリップ (UG) (NPR)					③ (3)						
CD					● (3)						
Avex®	● (2)		● (2)		● (2)						
Stavex®	● (2)		● (2)		● (1)(3)						
Avinox®/ Avibulb®	● (2)		● (2)	● (2)							
Avinox®XT / Avibulb®XT					● (1)(3)						
LSR/Bulbex®	● (2)		● (2)								
T-Lok®		● (2)	● (2)								
Avdel® SR	● (2)		● (2)		● (2)						
Hemlok®					● (1)(3)						
Interlock®			③ (2)		③ (1)(3)						
Maxlok®			● (3)		④ (3)						
Monobolt®			③ (1)(2)		③ (1)(3)						
Avtainer®									④ (1)(3)		
Avseal® (STD)				● (1)(3)		● (1)(3)	● (1)(3)	● (1)(3)	④ (1)(3)		
Avseal® (低圧)							● (1)(3)	● (1)(3)	● (1)(3)	④ (1)(3)	④ (1)(3)
Q リベット	● (2)		● (2)		● (2)						
T リベット (Av- del)			● (1)(2)		● (1)(2)						
Avdelmate®			● (2)		● (2)						
Klamp-Tite® BAPK			③ (2)		③ (2)						
Klamp-Tite® BAPKTR			③ (1)(2)		③ (1)(2)						
Avdelok®			● (3)		④ (3)						

\* PRG540-46 ジョーと FAN276-064 ジョープッシャーアセンブリを使用

\*\* PRG540-46 ジョーを使用。

● XT3 と XT4 ツール両方に使用できます

③ XT3 ツールにのみ使用できます

④ XT4 ツールにのみ使用できます

(1) 非標準のノーズ ピースが必要で

(2) 代替タイプのノーズ装置が利用可能

(3) 非標準のノーズ装置が必要で。

各リベットタイプに互換性のあるノーズ装置の全リストについては、組立ておよび保守の取扱い説明書と共に、ProSet® ノーズ装置マニュアル 07900-09414 を参照してください

### 2.3 パッケージ内容

- ProSet® XT3 または XT4 ブラインドリベットツール 1 台
- 4.8mm [3/16"] および 6.4mm [1/4"] リベット用標準\*ノーズ装置およびノーズピース 1 式。
- 取扱い説明書 1 冊 - 地域別

### 2.4 主要部品のリスト

図 1 と 2 および下記の表を参照してください。

品目	部品番号	説明	員数
1	76003-15000*	標準ノーズ装置	1
2	76003-02022	懸架フック	1
3	76003-05200	マンドレル コレクター	1
4	07001-00405	オイル プラグ	1
5	07003-00194	シール	1
6	76003-02008	トリガ	1
7	76003-03700	オン/オフ バルブ	1
8	71210-02103	ロックナット	1

### 2.5 標準ノーズ装置

図 2 および下記の表を参照してください。

品目	部品番号	説明	員数
1c	PRN614	ノーズ ピース - 4.8 mm [3/16"] (取り付け後)	1
1d	PRN811	ノーズ ピース - 6.4 mm [1/4"]	1
1e	76003-15001	ノーズケース	1
1f	07003-00067	O リング	1
1g	DPN276-001	ジョー ガイド	1
1h	PRG540-44	ジョー	1 式
1i	DPN276-006	ジョー プッシャー	1
1j	DPN900-060	O リング	1
1k	DPN901-019	ジョー プッシャー スプリング	1
1l	76003-15002	引込みヘッド	1
1m	76003-15004	ジョー ガイド ロック	1
1n	DPN901-020	スプリング	1
1o	76003-15003	引込みヘッド アダプター	1
1p	07003-00277	O リング	1

追加のノーズ装置については ProSet® ノーズ装置のマニュアル 07900-09414 または [www.stanleyengineeredfastening.com/resource-center/document-library](http://www.stanleyengineeredfastening.com/resource-center/document-library) を見てください  
 ツール アクセサリの全リストについては ProSet アクセサリのマニュアル 07900-09415 を参照してください。

\* ノーズ装置は、Proset Xt3ベースツール (76003-01000) およびProset Xt4ベースツール (76004-01000) には付属していません。

### 3. ツールの準備

重要 - サービスに出す前にページ 6、8 の安全上の警告を注意深く読んでください。

重要 - ノーズアセンブリを取り付けるまたは取り外す前には、エアの供給はオフするか切り離す必要があります。

#### 3.1 ノーズ装置 (写真 2 を参照)

大字の品目番号については、図 1 と 2 の部品および 11 ページの表を参照してください。

4.8mm [3/16"] リベット用のノーズ ピースが付いて予め組み立てられた状態の完成ツールで納品されます。

6.4mm [1/4"]リベット用の追加のノーズピースが1つ別個に納品されます。

#### ノーズ ピースを組み立てる

- エアの供給は切り離しておく必要があります。
- 取り付けるリベット用のノーズ ピースを選択します。
- ノーズ ピース (1a、b、c または d) と O リング (1f) の付いたノーズケース (1e) を取り外します。
- ノーズ ピース (1a、b、c または d) をノーズケース (1e) を取り外します。
- 関係するサイズのノーズ ピースを選択して逆の順に組み立てます。

#### 完成したノーズ装置を取り外す

- エアの供給は切り離しておく必要があります。
- ノーズ ピース (1a、b、c または d) と O リング (1f) の付いたノーズケース (1e) をツールから取り外します。
- ジョー ガイド ロック (1m) をスプリング (1n) に対して反対方向に引き戻してからジョー ガイド (1g) を取り外します。
- ジョー (1h) をジョー ガイド (1g) から取り外します。
- ジョー プッシャー (1i)、O リング (1j)、ジョー プッシャー スプリング (1k) を引込みヘッド (1l) から取り外します。
- 引込みヘッドアセンブリ (1q) をツール ピストンからスパナで取り外します。

#### 完成したノーズ装置を取り付ける

- エアの供給は切り離しておく必要があります。
- 摩耗や損傷を受けた部品は交換するべきです。
- ジョー (1h) を清掃して摩耗がないか確認します。
- ジョー プッシャー (1i) またはジョー プッシャー スプリング (k) が歪んでないことを確認します。
- ジョー (1h) にモーリュ・リチウム グリースを軽く塗布します。
- ジョー (1h) をジョー ガイド (1g) の中に落とします。
- ジョー プッシャー (1i) と O リング (1j) を引込みヘッド (1l) の中に挿入します。
- ジョー ガイド ロック (1m) を引き戻して、ジョー ガイド (1g) を引込みヘッド (1l) にしっかりネジで止めます。
- ジョー ガイド ロック (1m) を外してジョー ガイド (1g) ジョー ガイド ロック (1m) の歯がジョー ガイド (1g) の次の溝に当たってカチッと音がするまで、ジョー ガイド (1g) を部分的にネジを回して外します。
- ノーズ ケース (1e) をジョー ガイド (1g) の上に置いてツールの上になんか固定します。

ノーズアセンブリは週に 1 回保守します。ノーズアセンブリのすべての内部部品とノーズチップは、定期的な交換が必要なため、いくつかの在庫を持つべきです。

#### 3.2 エア供給 (図 3 を参照)

##### 部品

- A. 止水栓 ((フィルタ/レギュレータまたは潤滑装置の保守の間に使用))
  - B. 圧力調整器およびフィルター ( 毎日の排水)
  - C. 主な供給排水ポイント
  - D. メイン供給からの取出し箇所
- ツールはすべて最小圧力 5.0 bar の圧縮エアで操作します。

- 圧力レギュレータと自動オイル/フィルタシステムを本機から 3m 以内のメインのエア供給で使用します。(図. 3 を参照)
- エア供給ホースには、システムで作られる最大圧力の 150% または 10 bar のどちらか高い方の最小作業効果的圧力レートがあります。
- エアホースはオイル抵抗があり、外面には摩耗抵抗があり、操作条件がホースの損傷を招く場合がある場所では外側を守られている必要があります。
- すべてのエアホースは必ず 6.4 mm の最小ボア径を持っている必要があります。
- エアの漏れがないか確認します。損傷がある場合、ホースとカップリングは新しいものと交換する必要があります。
- 圧力レギュレータにフィルタがない場合は、エアホースをツールに接続する前にエアラインを抽気して蓄積した汚れまたは水を取り除きます。

### 3.3 操作の基本原則

**注意 - 適切な供給圧は導入ツールの正しい機能発揮に重要です。正しい圧力が供給されないと、人に傷害を与えたり設備に損傷を与えたりする恐れがあります。  
供給圧は表の打付けツールの仕様範囲を超えてはいけません。**

太字の品目番号については、図 1 と 2 の部品および 11 ページの表を参照してください。

空圧ホースを打付けツールに接続すると、ツールの引込みおよび戻りのサイクルは、ハンドルにあるトリガー (6) を押したり開放したりすることで制御されます。

- エアの供給は切り離しておきます。
- 10、12 ページに記載している適切なノーズ装置を接続します。
- 空圧ホースをエアのオン/オフバルブ (7) に接続します。
- 空圧ホースのメイン エア供給を接続します。
- エアのオン/オフバルブ (7) を上の位置にスライドさせてメイン供給のスイッチをオンにします。
- エアがツールに供給されて真空システムが運転中になります。
- トリガー (6) をツールのストロークいっぱいまで数回引込み、開放して操作を確認します。ツールの動きを観察します。油圧油かつまたはエアの漏れがないか確認します。



## 4. 操作の手順

### 4.1 ツールの操作 (図1、4、5、6 を参照)

#### ブラインドリベットを取り付ける

- マンドレル コレクター (3) が取り付けられていることを確認します。
- ノーズ ピース (1a、b、c または d) の中にリベット マンドレルを挿入します。真空システムによってノーズ ピースの中にリベットが保持されます。
- ツールの位置を決めます。
- ノーズ装置がワークに対して直角 (90°) であることを確認します。
- アプリケーションの中でリベットがしっかりセットされるまでトリガー (6) を引込みおよび保持します。
- リベットが完全にセットされたら、トリガー (6) を開放します。ツールは最初の位置に自動的に戻ります。マンドレルは真空システムによってマンドレル コレクター (3) の中に自動的に落ちます。
- マンドレル コレクターは半分が満たされる前に空にする必要があります。

**注意** - リベット マンドレルまたはリベット本体の挿入を無理な力で行わないでください。ツールかつまたはアプリケーションへの損傷の原因となります。

### 4.2 マンドレルコレクターを空にする (図 1 を参照)

**注意** - マンドレル コレクターが取り外されている状態で使用しないでください

- ツールには脱着が容易なマンドレル コレクター (3) が取り付けられます。
- 60°回転することでマンドレル コレクターを脱着できます。
- マンドレル コレクター (3) をツールから取り外すと真空リベット保持およびマンドレル引出しシステムのスイッチが自動的に切れます。
- マンドレル コレクターを再度取り付けると真空システムのスイッチが入ります。

## 5. ツールの保守

### 5.1 保守の頻度

訓練を受けた人によって定期的な保守を行い総合的な検査を年に 1 回または 500,000 サイクル毎のどちらか早い方の時点で行う必要があります。



エア供給の切り離し



注意 - ツールの非金属部品の清掃に溶剤やその他強い薬液を絶対に使わないでください。これらの薬液は部品に使用されている材料を劣化させる場合があります。

### 5.2 ノーズ装置

ノーズアセンブリは週に 1 回または 5,000 サイクル毎に保守することが必要です。ノーズアセンブリのすべての内部部品とノーズ ピースは、定期的な交換が必要なため、いくつかの在庫を持つべきです。

- エアの供給を切り離します。
- ノーズアセンブリ全体をセクション 3.1 に記載の手順で取り外します。
- 部品のすべてを点検します。摩耗や損傷を受けた部品は新しい部品に交換する必要があります。
- 特にジョー (1h) の摩耗は確認します。
- 部品のすべてを清掃してモーリュ・リチウム グリース (07992-00020) をジョー (1h) およびジョー ガイド (1g) のテーパー穴に塗布します。
- セクション 3.1 取付けの説明に従って組み立てます。

### 5.3 毎日の保守

- 使用する前に、ツール、ホースおよびカップリングに油かつエアの漏れがないか確認します。損傷がある場合は、ツールを接続ラインから取り外し、漏れがある部分を新しい部品に交換します。
- 圧力レギュレータにフィルタがない場合は、エアホースをツールに接続する前にエアラインを抽気して蓄積した汚れまたは水を取り除きます。フィルタがある場合は排出します。
- ノーズ装置 (1) がリバットが置かれるのに正しく、適切に取り付けられているかを確認します。
- ツールのストロークが最小の仕様に合っていることを確認します (2.1 を参照)。
- マンドレル コレクター (3) がツールに取り付けられている必要があります。
- エア チャンバーがツール本体にしっかりと固定されていることを確認します。

### 5.4 毎週の保守

- ツール、ホースおよびカップリングに油かつエアの漏れがないか確認します。損傷がある場合は、ツールを接続ラインから取り外し、漏れがある部分を新しい部品に交換します。

すべてのサービス、トラブルシューティング、保守の説明書については、XT3 はサービス マニュアル番号 07900-09410 を、XT4 は 07900-09411 を参照してください。

本ツールに使用するグリースおよびオイルに関する安全性のデータについては、XT3 はサービス マニュアル番号 07900-09410 を、XT4 は 07900-09411 を参照してください。

### 5.5 環境保護

適用される廃棄規制への適合を保証します。人や環境を危険にさらさないように、承認された廃棄物施設またはサイトですべての廃棄物を処分してください。

## 6. EC 法令順守の宣言

当社 Stanley Engineered Fastening; Stanley House, Works Road, Letchworth Garden City, Hertfordshire, SG6 1JY 英国 は自らの責任において本製品について以下の宣言をします。

品目:                    ブラインドリベット用油空圧ツール ProSet® XT3 および ProSet® XT4  
 モデル:                POP-Avdel® / 76003 および POP-Avdel® / 76004

本宣言が本製品に関係するのは製品が以下の対応する規格に準拠しているためです。

ISO 12100:2010	EN ISO 3744:2010
EN ISO 11202:2010	EN ISO 11148-1:2011
EN ISO 4413:2010	BS EN 28662-1:1993
EN ISO 4414:2010	EN ISO 20643:2008+A1:2012
EN ISO 28927-5:2009+A1:2015	ES100118-rev 17:2017

技術文書は以下の指令に対応する付録 1 のセクション 1.7.4.1 に合わせて編集されています。

### 2006/42/EC 機械指令

(法定計器 2008 No 1597 - 機械の供給 (安全) 規制 参照)

署名者は、STANLEY Engineered Fasteningに代わってこの宣言を行います。



A. K. Seewraj

エンジニアリングディレクター、英国

Avdel UK Limited, Stanley House, Works Road, Letchworth Garden City, Hertfordshire, SG6 1JY 英国

発行場所:            Letchworth Garden City, 英国

発行日:              01-13-2017

署名した は、欧州連合で販売されている製品の技術ファイルの編集に責任があり、Stanley Engineered Fasteningに代わってこの宣言を行います。

マティアス・アベル

チームリーダー-技術文書

Stanley Engineered Fastening, Tucker GmbH, Max-Eyth-Str. 1  
 35394 Gießen, ドイツ



本機械は機械指令 2006/42/EC に準拠しています。

## 7. 英国の適合宣言

当社 Stanley Engineered Fastening; Stanley House, Works Road, Letchworth Garden City, Hertfordshire, SG6 1JY 英国 は自らの責任において本製品について以下の宣言をします。

品目:                   ブラインドリベット用油空圧ツール ProSet® XT3 および ProSet® XT4  
 型式:                   POP-Avdel® / 76003 および POP-Avdel® / 76004

本宣言が本製品に関係するのは製品が以下の指定規格に準拠しているためです。

ISO 12100:2010	EN ISO 3744:2010
EN ISO 11202:2010	EN ISO 11148-1:2011
EN ISO 4413:2010	BS EN 28662-1:1993
EN ISO 4414:2010	EN ISO 20643:2008+A1:2012
EN ISO 28927-5:2009+A1:2015	ES100118-rev 17:2017

技術文書は、機械の供給(安全)規制 2008、S.I. 2008/1597(修正済み)に従って編集されています。

署名者は、STANLEY Engineered Fasteningに代わってこの宣言を行います。



A. K. Seewraj

エンジニアリングディレクター、英国

Avdel UK Limited, Stanley House, Works Road, Letchworth Garden City, Hertfordshire,  
 SG6 1JY 英国

発行場所:           Letchworth Garden City, 英国  
 発行日:              01-13-2017



本機は以下の規格に適合しています  
 機械の供給(安全)規制 2008、  
 S.I. 2008/1597(修正済み)

## 8. 投資の保護

### 8.1 POP®AVDEL® ブラインドリベット ツールの保証

STANLEY Engineered Fastening は、全電動ツールが注意深く製造されていること、材料および製造品は 1 年間の通常の使用および保守の下で欠陥が発生しないことを保証します。

本保証は、オリジナルな使用のみを目的としたツールの最初のご購入に対して適用します。

#### 免責条項:

##### 通常の摩耗および亀裂

定期的な保守、修理および通常の摩耗、亀裂による部品の交換は適用対象から除外されます。

##### 不正使用 & 誤使用

物理的な損傷など、不適切な操作、保存、誤使用または不正使用、事故または不注意による欠陥または損傷は適用対象から除外されます。

##### 未承認のサービスまたは改造

STANLEY Engineered Fastening または承認されたサービスセンター以外の者によって行われた保守、テスト調整、取付け、保守、変更または改造による欠陥または損傷は、いかなる方法によるものであっても適用対象から除外されます。

その他すべての保証は、表記されたものまたは暗示されたものであっても、市場性または目的適合性のいかなる保証も含めてここに除外されます。

もし本機が保証を満たさない場合は、速やかに本機を工場が承認した最寄りのサービスセンターに返送してください。米国またはカナダの POP®Avdel® 承認サービスセンターの一覧については、無料ダイヤル番号 (877)364 2781 でご相談ください。

米国 および カナダ以外の地域については、当社の ウェブサイト [www.StanleyEngineeredFastening.com](http://www.StanleyEngineeredFastening.com) を見て、最寄りの STANLEY 締付け工具の店の位置を探してください。

STANLEY Engineered Fastening は、欠陥のある材料または製造品により不良となったと当社が認められた部品またはいくつかの部品についてはどんなものでも無料で交換し、先払いで本機を返送します。このことは本保証の下での当社の唯一の義務であることを示しています。

本機の購入または使用以外のところで発生する重大なまたは特別な損傷に対して、STANLEY Engineered Fastening は何らの責任を負うものではありません。

### 8.2 ブラインドリベット ツール オンラインへの登録

以下の URL を見て品質オンラインに登録してください。

<http://www.stanleyengineeredfastening.com/popavdel-powertools/warranty-card>.

STANLEY Engineered Fastening の POP®Avdel® ブランド ツールをお選び頂きありがとうございます。

**STANLEY**  
Engineered Fastening

**STANLEY Engineered Fastening**

STANLEY House, Works Road  
Letchworth Garden City  
Hertfordshire, United Kingdom  
SG6 1JY  
Tel: +44 1582 900 000  
Fax: +44 1582 900 001



## Holding your world together®

Find your closest STANLEY Engineered Fastening location on  
[www.stanleyengineeredfastening.com/contact](http://www.stanleyengineeredfastening.com/contact)  
For an authorized distributor nearby please check

[www.stanleyengineeredfastening.com/econtact/distributors](http://www.stanleyengineeredfastening.com/econtact/distributors)

Manual Number	Issue	C/N
07900-09407	E	21/082

**STANLEY**  
Assembly Technologies

Stanley Engineered Fastening — a division of Stanley Black and Decker — is the global leader in precision fastening and assembly solutions. Our industry-leading brands, Avdel®, Integra™, Nelson®, Optia™, POP®, Stanley® Assembly Technologies, and Tucker®, elevate what our customers create. Backed by a team of passionate and responsive problem-solvers, we empower engineers who are changing the world.

**STANLEY ENGINEERED FASTENING FAMILY OF BRANDS**

**AVDEL**

**INTEGRA**

**NELSON**

**OPTIA**

**POP**

**STANLEY**  
Assembly Technologies

**TUCKER**