



- Ⓔ Hydro-Electric Power Tool
- Ⓕ Outil hydroélectrique
- Ⓔ Herramienta hidro-eléctrica
- Ⓕ Ferramenta Hidro-Elétrica



AV®30 Installation Tool – 73434-02000

Hydro-Electric Power Tool

©2019 STANLEY Black & Decker All rights reserved.

The information provided may not be reproduced and/or made public in any way and through any means (electronically or mechanically) without prior explicit and written permission from STANLEY Engineered Fastening. The information provided is based on the data known at the moment of the introduction of this product. STANLEY Engineered Fastening pursues a policy of continuous product improvement and therefore the products may be subject to change. The information provided is applicable to the product as delivered by STANLEY Engineered Fastening. Therefore, STANLEY Engineered Fastening cannot be held liable for any damage resulting from deviations from the original specifications of the product.

The information available has been composed with the utmost care. However, STANLEY Engineered Fastening will not accept any liability with respect to any faults in the information nor for the consequences thereof. STANLEY Engineered Fastening will not accept any liability for damage resulting from activities carried out by third parties. The working names, trade names, registered trademarks, etc. used by STANLEY Engineered Fastening should not be considered as being free, pursuant to the legislation with respect to the protection of trade marks.

CONTENT

1. SAFETY DEFINITIONS	4
1.1 GENERAL SAFETY RULE	4
1.2 PROJECTILE HAZARDS	4
1.3 OPERATING HAZARDS	5
1.4 REPETITIVE MOTIONS HAZARDS	5
1.5 ACCESSORY HAZARDS	5
1.6 WORKPLACE HAZARDS	5
1.7 NOISE HAZARDS	6
1.8 VIBRATION HAZARDS	6
1.9 ADDITIONAL SAFETY INSTRUCTIONS FOR HYDRAULIC POWER TOOLS	6
2. SPECIFICATIONS	7
2.1 INTENT OF USE	7
2.2 TOOL SPECIFICATION	7
2.3 TOOL DIMENSIONS	8
3. PUTTING IN SERVICE	9
3.1 PRINCIPAL OF OPERATION	9
3.2 PREPARATION FOR USE	10
4. OPERATING INSTRUCTIONS	11
4.1 TO INSTALL AN AVBOLT® FASTENER	11
4.2 TO INSTALL AN AVDELOK® XT FASTENER	11
5. SERVICING THE TOOL	12
5.1 DAILY SERVICING	12
5.2 WEEKLY SERVICING	12
5.3 ANNUAL SERVICING / EVERY 150K OPERATIONS	12
5.4 SERVICE KIT	12
5.5 SERVICING TOOLS	12
5.6 HYDRAULIC OIL	12
5.7 DISMANTLING INSTRUCTIONS	13
5.8 PROTECTING THE ENVIRONMENT	15
6. GENERAL ASSEMBLY AND PART LIST	16
6.1 GENERAL ASSEMBLY	16
6.2 PARTS LIST	18
7. SAFETY DATA	19
7.1 ENERPACE® HF HYDRAULIC OIL - SAFETY DATA	19
7.2 MOLYLITHIUM GREASE EP 3753 - SAFETY DATA	19
7.3 MOLYKOTE® 111 GREASE - SAFETY DATA	20
8. FAULT DIAGNOSIS	21
9. EC DECLARATION OF CONFORMITY	23
10. UK DECLARATION OF CONFORMITY	24
11. PROTECT YOUR INVESTMENT!	25



This instruction manual must be read by any person installing or operating this tool with particular attention to the following safety warnings and instructions.



Always wear impact-resistant eye protection during operation of the tool. The grade of protection required should be assessed for each use.



Use of the tool can expose the operator's hands to hazards, including crushing, impacts, cuts and abrasions and heat. Wear suitable gloves to protect hands.



Use hearing protection in accordance with employer's instructions and as required by occupational health and safety regulations.

1. SAFETY DEFINITIONS

The definitions below describe the severity for each signal word. Please read the manual and pay attention to these symbols.



DANGER: Indicates an imminently hazardous situation which, if not avoided, will result in death or serious injury.



WARNING: Indicates a potentially hazardous situation which, if not avoided, could result in death or serious injury.



CAUTION: Indicates a potentially hazardous situation which, if not avoided, may result in minor or moderate injury.



CAUTION: Used without safety alert symbol indicates a potentially hazardous situation which, if not avoided, may result in property damage.

Improper operation or maintenance of this product could result in serious injury and property damage. Read and understand all warnings and operating instructions before using this equipment. When using power tools, basic safety precautions must always be followed to reduce the risk of personal injury.

SAVE ALL WARNINGS AND INSTRUCTIONS FOR FUTURE REFERENCE.

1.1 GENERAL SAFETY RULE

- For multiple hazards, read and understand the safety instructions before installing, operating, repairing, maintaining, changing accessories on, or working near the tool. Failure to do so can result in serious bodily injury.
- Only qualified and trained operators must install, adjust or use the tool.
- DO NOT use outside the design intent of placing STANLEY Engineered Fastening Blind Rivets.
- Use only parts, fasteners, and accessories recommended by the manufacturer.
- DO NOT modify the tool. Modifications can reduce the effectiveness of safety measures and increase the risks to the operator. Any modification to the tool undertaken by the customer will be the customer's entire responsibility and void any applicable warranties.
- Do not discard the safety instructions; give them to the operator.
- Do not use the tool if it has been damaged.
- Prior to use, check for misalignment or binding of moving parts, breakage of parts, and any other condition that affects the tool's operation. If damaged, have the tool serviced before using. Remove any adjusting key or wrench before use.
- Tools shall be inspected periodically to verify that the ratings and markings required by this part of ISO 11148 are legibly marked on the tool. The employer/user shall contact the manufacturer to obtain replacement marking labels when necessary.
- The tool must be maintained in a safe working condition at all times and examined at regular intervals for damage and function by trained personnel. Any dismantling procedure will be undertaken only by trained personnel. Do not dismantle this tool without prior reference to the maintenance instructions.

1.2 PROJECTILE HARZARDS

- Disconnect the tool from the hydraulic pump unit before performing any maintenance, attempting to adjust, fit or remove a nose assembly or accessories.
- Be aware that failure of the workpiece or accessories, or even of the inserted tool itself can generate high-velocity projectiles.
- Always wear impact-resistant eye protection during operation of the tool. The grade of protection required should be assessed for each use.

- The risks to others should also be assessed at this time.
- Ensure that the workpiece is securely fixed.
- Check that the means of protection from ejection of fastener and/or mandrel is in place and is operative.
- Warn against the possible forcible ejection of mandrels from the front of the tool.
- DO NOT operate a tool that is directed towards any person(s).

1.3 OPERATING HAZARDS

- Use of the tool can expose the operator's hands to hazards, including crushing, impacts, cuts and abrasions and heat. Wear suitable gloves to protect hands.
- Operators and maintenance personnel shall be physically able to handle the bulk, weight, and power of the tool.
- Hold the tool correctly; be ready to counteract normal or sudden movements and have both hands available.
- Keep tool handles dry, clean, and free from oil and grease.
- Maintain a balanced body position and secure footing when operating the tool.
- Release the start-and-stop device in the case of an interruption of the hydraulic supply.
- Use only lubricants recommended by the manufacturer.
- Contact with hydraulic fluid should be avoided. To minimise the possibility of rashes, care should be taken to wash thoroughly if contact occurs.
- Material Safety Data Sheets for all hydraulic oils and lubricants is available on request from your tool supplier.
- Avoid unsuitable postures as it is likely for these positions not to allow counteracting of normal or unexpected movement of the tool.
- If the tool is fixed to a suspension device, make sure that the fixation is secure.
- Beware of the risk of crushing or pinching if nose equipment is not fitted.
- DO NOT operate tool with the nose casing removed.
- Adequate clearance is required for the tool operator's hands before proceeding.
- When carrying the tool from place to place keep hands away from the trigger to avoid inadvertent activation.
- DO NOT abuse the tool by dropping or using it as a hammer.
- Care should be taken to ensure that spent mandrels do not create a hazard.

1.4 REPETITIVE MOTIONS HAZARDS

- When using the tool, the operator can experience discomfort in the hands, arms, shoulders, neck or other parts of the body.
- While using the tool, the operator should adopt a comfortable posture whilst maintaining a secure footing and avoiding awkward or off-balance postures. The operator should change posture during extended tasks; this can help avoid discomfort and fatigue.
- If the operator experiences symptoms such as persistent or recurring discomfort, pain, throbbing, aching, tingling, numbness, burning sensations or stiff ness, these warning signs should not be ignored. The operator should tell the employer and consult a qualified health professional.

1.5 ACCESSORY HAZARDS

- Disconnect the tool from the hydraulic and electrical supply before fitting or removing the nose assembly or accessory.
- Use only sizes and types of accessories and consumables that are recommended by the manufacturer of the tool; do not use other types or sizes of accessories or consumables.

1.6 WORKPLACE HAZARDS

- Slips, trips and falls are major causes of workplace injury. Be aware of slippery surfaces caused by use of the tool and also of trip hazards caused by the air line or hydraulic hose.
- Proceed with care in unfamiliar surroundings. There can be hidden hazards, such as electricity or other utility lines.
- The tool is not intended for use in potentially explosive atmospheres and is not insulated against contact with electric power.
- Ensure that there are no electrical cables, gas pipes, etc., which can cause a hazard if damaged by use of the tool.
- Dress properly. Do not wear loose clothing or jewellery. Keep your hair, clothing and gloves away from moving parts. Loose clothes, jewellery or long hair can be caught in moving parts.
- Care should be taken to ensure that spent mandrels do not create a hazard.

1.7 NOISE HAZARDS

- Exposure to high noise levels can cause permanent, disabling hearing loss and other problems, such as tinnitus (ringing, buzzing, whistling or humming in the ears). Therefore, risk assessment and the implementation of appropriate controls for these hazards are essential.
- Appropriate controls to reduce the risk may include actions such as damping materials to prevent workpieces from “ringing”.
- Use hearing protection in accordance with employer’s instructions and as required by occupational health and safety regulations.
- Operate and maintain the tool as recommended in the instruction manual, to prevent an unnecessary increase in the noise level.

1.8 VIBRATION HAZARDS

- Exposure to vibration can cause disabling damage to the nerves and blood supply of the hands and arms.
- Wear warm clothing when working in cold conditions and keep your hands warm and dry.
- If you experience numbness, tingling, pain or whitening of the skin in your fingers or hands, stop using the tool, tell your employer and consult a physician.
- Where possible Support the weight of the tool in a stand, tensioner or balancer, because a lighter grip can then be used to support the tool.

1.9 ADDITIONAL SAFETY INSTRUCTIONS FOR HYDRAULIC POWER TOOLS

- The operating hydraulic supply must not exceed 550 bar (8000 PSI).
- Oil under pressure can cause severe injury.
- Do not fit flexible hydraulic hoses rated at less than 700 bar (10,000 PSI) working pressure at a flow rate of 2.73 l/min (200 in 3/min).
- Never leave operating tool unattended. Disconnect hydraulic hose and electrical cable from the pump unit when tool is not in use, before changing accessories or when making repairs.
- Whipping hoses can cause severe injury. Always check for damaged or loose hoses and fittings.
- Prior to use, inspect hydraulic hoses for damage, all hydraulic connections must be clean, fully engaged and tight before operation. Do not drop heavy objects on hoses. A sharp impact may cause internal damage and lead to premature hose failure.
- Whenever universal twist couplings (claw couplings) are used, lock pins shall be installed and whipcheck safety cables shall be used to safeguard against possible hose-to-tool or hose-to-hose connection failure.
- DO NOT lift the placing tool by the hose or electrical cable. Always use the placing tool handle.
- DO NOT pull or move the hydraulic pump unit using the hoses. Always use the pump unit handle or roll cage.
- Keep dirt and foreign matter out of the hydraulic system of the tool as this will cause the tool to malfunction.
- Use only clean oil and filling equipment.
- Only recommended hydraulic fluids may be used.
- Power units require a free flow of air for cooling purposes and should therefore be positioned in a well ventilated area free from hazardous fumes.
- Maximum temperature of the hydraulic fluid at the inlet is 110°C (230°F).

STANLEY Engineered Fastening policy is one of continuous product development and improvement and we reserve the right to change the specification of any product without prior notice.

2. SPECIFICATIONS

2.1 INTENT OF USE

The AV™ 30 Installation Tool is principally a piston and cylinder assembly. When coupled hydraulically and electrically to a compatible hydraulic power source and the relevant nose assembly is attached, it is then used to install 1/2" to 5/8" Avbolt® and 1/2" to 3/4" Avdelok® XT in Industrial Environments.

The placing tool and hydraulic pump unit may only be used in accordance with the operating instructions for placing Stanley Engineered Fastening structural rivets.

Refer to the table below for the list of applicable fasteners and associated nose equipment.
Refer to the datasheets listed in the table for the relevant nose assembly instructions.

DO NOT use under wet conditions or in the presence of flammable liquids or gases.

FASTENER		NOSE ASSEMBLY			NOSE ASSEMBLY DATASHEET
TYPE	SIZE	PART NUMBER	DIM. 'A'	DIM. 'B'	PART NUMBER
AVBOLT®	1/2"	73412-03600	113 mm	43 mm	07900-00905
	5/8"	73412-03400	113 mm	52 mm	07900-00905
AVDELOK® XT	1/2"	73412-03100	113 mm	43 mm	07900-00919
	5/8"	73412-03200	115 mm	48 mm	07900-00919
	3/4"	73412-03300	134 mm	56 mm	07900-00919

*Nose assembly with jaw release.

Refer to the illustration on page 8 for the identification of the nose assembly dimensions 'A' and 'B'.

The safety instructions must be followed at all times.

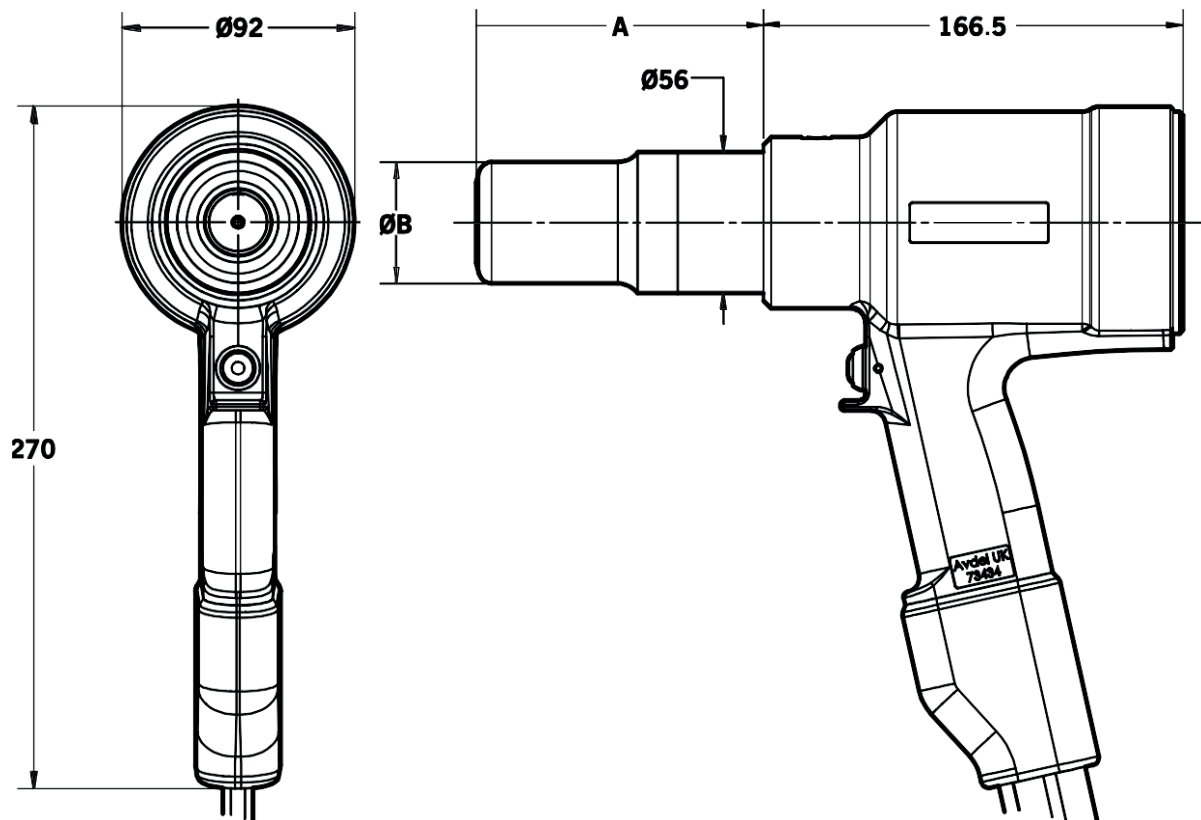
2.2 TOOL SPECIFICATION

	SPECIFICATION	METRIC	IMPERIAL
Force:	Pull at stated pull pressure	175.0 kN	39341.0 lbf
	Push Off at stated return pressure	80.0 kN	17985.0 lbf
Pressure:	Pull	510 bar	7397 PSI
	Return	200 bar	2901 PSI
Stroke:	Piston Stroke	41.0 mm	1.61 in
Weight:	Without nose equipment	6.9 kg	15.3 lb
Hydraulic Oil:	Enerpac® Hydraulic Oil – HF-95X		
Product Range:	Avbolt®	12.7 to 15.9 mm	1/2 to 5/8 in
	Avdelok® XT	12.7 to 19.1 mm	1/2 to 3/4 in
Additional Features:	Stem Ejection – Front or Rear	Front	
	Seal Arrangement	Lip and Wiper Seals	
	Hydraulic Bearing Rings	Yes – Front	
	Protective Handle / Hose Gator	Yes	
	Protective Hose Guard	Yes	
	Hose / Cable Retention Clamps	Yes	

Noise values determined according to noise test code ISO 15744 and ISO 3744.		AV30
A-weighted sound power level dB(A), L_{WA}	Uncertainty noise: $k_{WA} = 3.0$ dB(A)	94.3 dB(A)
A-weighted emission sound pressure level at the work station dB(A), L_{pA}	Uncertainty noise: $k_{pA} = 3.0$ dB(A)	83.3 dB(A)
C-weighted peak emission sound pressure level dB(C), L_{pC} , peak	Uncertainty noise: $k_{pC} = 3.0$ dB(C)	128.1 dB(C)

Vibration values determined according to vibration test code ISO 20643 and ISO 5349		AV30
Vibration emission level, a_{hd} :	Uncertainty vibration: $k = 0.48$ m/s ²	0.952 m/s ²
Declared vibration emission values in accordance with EN 12096		

2.3 TOOL DIMENSIONS



All dimensions are shown in millimetres.

Refer to the table on page 7 for the nose assembly dimensions 'A' and 'B'.

The tool is fitted with two Hydraulic Hoses and an electrical Control Cable, 0.6m in length. Additional hydraulic hose and cable extension lengths are available to order separately as required. Refer to the table below for the available hose assembly lengths and associated part numbers.

HYDRAULIC HOSE ASSEMBLY	
PART NUMBER	HOSE LENGTH
07008-00448	5 Metre
07008-00449	10 Metre
07008-00450	15 Metre

3. PUTTING IN SERVICE

3.1 PRINCIPAL OF OPERATION

IMPORTANT - READ THE SAFETY RULES ON PAGES 4 – 6 AND THE PUMP UNIT INSTRUCTION MANUAL CAREFULLY BEFORE PUTTING INTO SERVICE.

When both hoses and control cable are connected to the Avdel® / Enerpac® hydraulic pump unit, the pull and return cycles of the tool are controlled by depressing and releasing the trigger located in the handle.

When the switch is depressed the solenoid valve, located in the hydraulic pump unit, is energised and directs the pressurised oil flow to the pull side of the piston in the placing tool. This also allows the oil in the return side of the placing tool to return to the reservoir.

During the pull cycles the piston/collet assembly moves towards the rear of the tool allowing the O-ring type cushion to push the follower and jaws forward. If a fastener pin has been inserted in the nose assembly, the jaw set will clamp onto the pintail and assembly will commence.

For Avbolt® and Avdelok® XT the cycle of installation will first clamp the joint to be fastened and then as the anvil continues to move forward the collar will be swaged into the locking grooves of the pin. At the end of the swaging cycle the anvil will come up against the joint and as movement continues the pintail will be broken off.

The trigger switch should be released immediately after pin break occurs. Releasing the trigger switch will cause the solenoid to de-energise and reverse the flow of pressurised oil.

If the trigger is not released, the placing tool piston will continue to move towards the rear of the tool until it reaches the end of its stroke. The pressure in the pull side will then increase until a preset 'High Pressure' value is achieved at the pump. At this point the solenoid valve will automatically de-energise and reverse the flow of pressurised oil to the return side of the placing tool.

In either case, pressurised oil will now flow into the return side of the placing tool, with the oil in the pull side returning to the reservoir.

The forward movement of the piston/collet assembly will eject the installed fastener from the anvil.

At the point of releasing the trigger or when the 'High Pressure' value is achieved, the solenoid valve will de-energise and activate a preset 'Return Timer'. This controls the time that the pump motor will continue run before switching to the idle mode. The timer can be manually set between 5 and 20 seconds to ensure that the placing tool piston always fully returns to the forward position (refer to pump manual 07900-01030, pages 10 and 13).

When the piston returns to the fully forward position, the pressure will increase to preset low pressure value - c200bar. The pump motor will continue to run until the Return Timer has expired. After this time period the motor will stop automatically and valve will switch to the idle position. The solenoid valve will then automatically cycle to release pressurised oil to the reservoir from both the pull and return side of the placing tool.

This keeps the installation tool in the forward position. No pressure will be present in the hydraulic system at this point.

The hydraulic pump unit will automatically start up on depression of the tool trigger switch.

3.2 PREPARATION FOR USE

CAUTION - CORRECT PULL AND RETURN PRESSURES ARE IMPORTANT FOR PROPER FUNCTION OF THE INSTALLATION TOOL. PERSONAL INJURY OR DAMAGE TO EQUIPMENT MAY OCCUR WITHOUT CORRECT PRESSURES. THE PULL AND RETURN PRESSURES SUPPLIED BY THE HYDRAULIC PUMP UNIT MUST NOT EXCEED THOSE PRESSURES LISTED IN THE PLACING TOOL SPECIFICATION.

IMPORTANT – BEFORE PUTTING THE PLACING TOOL AND HYDRAULIC HOSE SET INTO SERVICE:

ENSURE THAT THE PUMP PRESSURE RELIEF VALVES HAVE BEEN SET IN ACCORDANCE WITH THE PUMP INSTRUCTIONS AND THE MAXIMUM PRESSURES SPECIFIED FOR THE PLACING TOOL AND HOSES.

ENSURE THAT THE HOSE KIT IS PRIMED WITH HYDRAULIC FLUID IN ACCORDANCE WITH THE PROCEDURE IN THE PUMP INSTRUCTION MANUAL 07900-01030.

- Ensure the mains power supply to the hydraulic pump unit is switched off.
- Connect the placing tool hydraulic hose quick couplers directly to the pump unit before connecting the electrical control cable. Hoses and control cable must be connected in this order and disconnected in reverse order.
- Switch on the mains supply to the hydraulic pump unit. Wait 5 seconds for the pump unit to complete the boot sequence, before pressing the trigger switch. When all set the LCD screen on the pump unit will display 'AVDEL'.
- During the boot sequence the pump control system identifies any trigger operation as a potential malfunction and prevents the motor from starting. The LCD screen will display 'BUTTON FAULT' in this instance. Reset by switching off the power supply for 10 seconds.
- Ensure that the placing tool is positioned below the pump reservoir tanks. Depress and release the placing tool trigger switch a few times to almost the full stroke of the tool to circulate hydraulic fluid and expel any air from the tool.
- Observe action of tool. Check for fluid leaks and ensure that in the idler mode the piston is in the fully forward position. The placing tool will now be primed.
- Switch off the mains power supply to the hydraulic pump unit and then disconnect the placing tool from the pump unit in reverse order to that described above.
- Now connect the placing tool to the primed hydraulic hose kit and electrical control cable. Then connect hydraulic hose kit quick couplers and the electrical control cable to the pump unit.
- Attach the nose assembly to the tool as per the instructions in the relevant nose assembly datasheet.
- Switch on the mains supply to the hydraulic pump unit as described above.
- Depress and release the placing tool trigger switch a few times to almost the full stroke of the tool to circulate hydraulic fluid.
- The placing tool is now ready for use.

4. OPERATING INSTRUCTIONS

4.1 TO INSTALL AN AVBOLT® FASTENER

- Check work and remove excessive gap. (Gap is the space between components of the Joint. Gap is excessive if not enough pintail sticks through the collar for the nose assembly jaws to grab onto).
- Put Avbolt® fastener into hole.
- Push nose assembly onto the pin until the nose assembly anvil stops against the collar. Tool and nose assembly must be held at right angles (90°) to the work.
- Depress tool trigger switch to start installation cycle.
- When the forward motion of the nose assembly anvil stops and the pintail breaks off, release the trigger. The tool will go into its return stroke and push off the installed fastener. At the end of the return stroke the jaws will partially release the expended pintail which can be removed by tilting the tool nose down.
- Once the installed fastener has been ejected, the tool and nose assembly is ready for the next installation.

4.2 TO INSTALL AN AVDELOK® XT FASTENER

- Check work and remove excessive gap. (Gap is the space between components of the Joint. Gap is excessive if not enough pintail sticks through the collar for the nose assembly jaws to grab onto).
- Put Avdelok® XT fastener into hole.
- Slide Avdelok® XT collar over the pin. (The beveled end of the collar must be towards the nose assembly and tool.)
- Push nose assembly onto the pin until the nose assembly anvil stops against the collar. Tool and nose assembly must be held at right angles (90°) to the work.
- Depress tool trigger switch to start installation cycle.
- When the forward motion of the nose assembly anvil stops and the pintail breaks off, release the trigger. The tool will go into its return stroke and push off the installed fastener. At the end of the return stroke the jaws will partially release the expended pintail which can be removed by tilting the tool nose down.
- Once the installed fastener been ejected, the tool and nose assembly is ready for the next installation.

CAUTION - DO NOT ATTEMPT TO BREAK OFF A PINTAIL WITHOUT THE INSTALLATION OF A COLLAR AS THIS WILL CAUSE THE UNSECURED PORTION OF THE AVDELOK® OR AVBOLT® PINTAIL TO EJECT FROM THE NOSE AT A HIGH SPEED AND FORCE.

5. SERVICING THE TOOL

IMPORTANT - READ SAFETY INSTRUCTIONS ON PAGES 4 - 6. THE EMPLOYER IS RESPONSIBLE FOR ENSURING THAT TOOL MAINTENANCE INSTRUCTIONS ARE GIVEN TO THE APPROPRIATE PERSONNEL. THE OPERATOR SHOULD NOT BE INVOLVED IN MAINTENANCE OR REPAIR OF THE TOOL UNLESS PROPERLY TRAINED. THE TOOL SHALL BE EXAMINED REGULARLY FOR DAMAGE AND MALFUNCTION.

5.1 DAILY SERVICING

- Check placing tool, hoses and quick couplers for oil leaks.
- Worn or damaged hoses and couplings should be replaced.
- Check that the stroke of tool meets the specification.
- Check that the stem deflector is fitted.
- Check that the pump pull / advance pressure relief valve is functioning correctly.
- Check for worn anvil indicated by score marks on the installed collar. This can also be confirmed by referring to the installed data in the fastener catalogue. Excessive wear can cause the anvil to rupture.

5.2 WEEKLY SERVICING

- Dismantle and clean the nose assembly especially the jaws as described in the relevant nose assembly datasheet.
- Check for oil leaks in placing tool, hoses and quick couplers

CAUTION – Never use solvents or other harsh chemicals for cleaning the non-metallic parts of the tool. These chemicals may weaken the materials used in these parts.

5.3 ANNUAL SERVICING / EVERY 150K OPERATIONS

- Every 150,000 cycles the tool should be completely dismantled and new components should be used where worn, damaged or as recommended. All O-rings, back-up rings and seals should be renewed and lubricated with MolyKote® 111 grease before assembling.

5.4 SERVICE KIT

For a complete service the following Service Kit is available:

SERVICE KIT: 73432-99990			
PART NUMBER	DESCRIPTION	PART NUMBER	DESCRIPTION
07005-10118	Quick Coupler - Male	07900-00972	AV30 Front Gland Guide Rod
07005-10120	Quick Coupler - Female	07900-00963	AV30 Piston Guide Sleeve
07900-00958	End Cap Tool Body	07992-00020	Grease – MolyLithium EP3753
07900-00969	AV30 Piston Seal Sleeve	07900-00755	Grease – Molykote® 111
07900-00970	AV30 Piston Seal Plunger	07900-00756	Loctite® 243 Threadlocker
07900-00971	AV30 Piston Bullet - Front		

5.5 SERVICING TOOLS

The following standard tools are also required:

- Allen Key: 2.0 / 3.0 mm
- Open End Flat Spanner: 12 / 14 / 18 / 24 / 45 mm A/F
- PTFE Tape: 10 mm
- Engineers Vice with Jaw Guards – 150 mm

5.6 HYDRAULIC OIL

CAUTION – Use only Enerpac® HF hydraulic oil – the use of any other oil may cause the placing tool and pump to malfunction and will render the placing tool warranty null and void.

Hydraulic oil is available to order under the following part numbers.

HYDRAULIC OIL			
PART NUMBER	07992-00081	07992-00082	07992-00083
Enerpac® Part Number	HF-95X	HF-95Y	HF-95T
Volume	1 Litre	5 Litres	20 Litres
Viscosity	32 mm ² /s	32 mm ² /s	32 mm ² /s

5.7 DISMANTLING INSTRUCTIONS

IMPORTANT – ENSURE THE MAINS POWER SUPPLY TO THE HYDRAULIC PUMP UNIT IS SWITCHED OFF BEFORE REMOVING THE NOSE ASSEMBLY OR DISMANTLING THE PLACING TOOL.

Before Dismantling:

- Uncouple the Quick Couplers **10** and **11** and the electrical Control Cable **14** between the placing tool and the Hydraulic Hose Assembly.
- Remove the nose assembly from the placing tool as per the instructions in the relevant nose assembly datasheet.
- The potentially dangerous substances that could have deposited on the machine as a result of work processes must be removed before maintenance.

For a complete service of the tool, we advise that you proceed with dismantling the tool in the order shown on pages 13 to 15. After dismantling the tool we recommend that you replace all seals.

Head Piston Assembly:

- Using a small flat screwdriver, remove the Pin **41** from the Collet Adapter **40**.
- Unscrew and remove the Collet Adapter **40** from the Piston **1**.
- Clamp the tool handle in a vice with soft jaws so that the tool is pointing nose down.
- Connect the spare *Quick Coupler – Male to the Quick Coupler – Female **11** on the Hydraulic Hose - Return **18**. This will release any pressure from the return side of the Piston **1** and ease the removal of the End cap **17**.
- Insert the *End Cap Assembly Tool body into the End Cap **17**.
- Using a 24 mm A/F spanner, unscrew and remove the End Cap **17**, from the Body **2**.
- Using a small flat screwdriver, remove O-Ring **21** from the End Cap **17** and discard.
- Using a small flat screwdriver or similar tool, remove O-Ring **30** and Spiral Back-up Ring **36**, from the external groove on the End cap **17**, and discard. When removing the seals, take care not to damage the surface of the End cap with the screwdriver.
- Remove the placing tool from the vice and empty the hydraulic oil from the rear of the tool. Remove the spare *Quick Coupler – Male from the Quick Coupler – Female **11**.
- Connect the spare *Quick Coupler - Female to the Quick Coupler – Male **10** on the Hydraulic Hose - Pull **19**. This will release any pressure from the pull side of the Piston **1** and ease the removal of the Piston **1**.
- Screw the *Piston Bullet - Front on to the front of the Piston **1**.
- Place the Body **2** nose up on a bench. Then using a soft mallet, tap the Piston **1** towards the rear of the Body and out the back end, taking care not to damage the bore within the Body.
- Note that when removing the Piston **1**, oil on the pull side of the Piston will leak from the front and rear of the Body **2**.
- When removing the Piston **1**, the Front Seal Gland **15** may be retained on the Piston shaft. If this is the case, unscrew the *Piston Bullet - Front and pull the Front Seal Gland off of the Piston.
- The Piston Seal **26** is a 2-piece seal consisting of an external sealing ring and an inner O-ring. Using a small knife, cut through the external sealing ring and remove from the external groove on the Piston **1**. Then using a small flat screwdriver remove the inner O-ring from the Piston, and discard. When removing the seals, take care not to damage the surface of the Piston.
- If the Front Seal Gland **15** is still retained in the Body **2**. Place the Body nose up on a bench and then push the Front Seal Gland from the front until it is free from the recess within Body. The Front Seal Gland can then be removed from the back end of the Body. Take care not to damage the bore within the Body when doing so.

All numbers in **bold** refer to the General Assembly and Parts List on pages 16, 17 and 18.

* Service Kit on page 12.

- Using a small flat screwdriver remove O-Ring **23** and Spiral Back-up Ring **34**, from the external groove on the Front Seal Gland **15**, and discard. When removing the seals, take care not to damage the surface of the Front Seal Gland with the screwdriver.
- Remove Rod Seal **25** and Wiper Seal **22**, from the internal grooves on the Front Seal Gland **15**, and discard. When removing the seals, take care not to damage the surface of the Front Seal Gland with the screwdriver.
- Remove the Front Bearing Ring **24** and check the part for wear or damage. Discard if necessary.
- Using a small flat screwdriver, remove O-Ring **21** from the Body **2** and discard.
- Remove the spare *Quick Coupler - Female from the Quick Coupler - Male 10 on the Hydraulic Hose - Pull **19**.
- Do not remove Set Screw **42** from the Body **2**.

Assemble in reverse order to dismantling noting the following points:

- Clean all components before assembling.
- To aid assembly of seals apply a light coating of Molykote® 111 grease to all seals, seal grooves, back-up rings and the assembly tools.
- Slide O-Ring **23** over the Front Seal Gland **15** and into the external groove. Insert the Spiral Back-up Ring **34** in the same groove, in front of the installed O-Ring. Refer to the General Assembly and Parts List for the correct orientation of the O-Ring and Spiral Back-up Ring.
- Press the Front Bearing Ring **24** into the internal recess within the Front Seal Gland **15** and then install Rod Seal **25** behind the Front Bearing Ring. Install the Wiper Seal **22** in the front recess of the Front Seal Gland. Refer to the General Assembly to ensure the correct orientation of the Rod Seal and Wiper Seal.
- Lubricate the surface and leading edge of the Body **2** bore into which the Front Seal Gland **15** is to be installed with Molykote® 111 grease.
- Lubricate the spigot on the *Front Gland Guide Rod tool and then place the Front Seal Gland **15**, Rod Seal **25** end first, fully over spigot. Insert *Front Gland Guide Rod into the rear of the Body **2** and then push the Front Seal Gland fully into the bore within the Body. Reasonable force is required to insert Front Seal Gland into the Body, so the use of a press or vice may be necessary. Remove the *Front Gland Guide Rod while ensuring that the Front Seal Gland stays in place.
- Lubricate the seal groove and major external diameter of the Piston **1** with Molykote® 111 grease. Slide the Piston Seal **26** over the front of the major Piston diameter and into the seal groove.
- Screw the *Piston Bullet – Front on to the Piston **1**. Place the *Piston Seal Sleeve over the Piston shaft and then place the outer sealing ring from Piston Seal **26** over the *Piston Seal Sleeve so that it rests on the tapered diameter. Lubricate the surface of the *Piston Seal Sleeve with Molykote® 111 grease.
- Place the *Piston Seal Plunger over the Piston **1** shaft and the *Piston Seal Sleeve so that the open end of the *Piston Seal Plunger rests on the outer sealing ring of Piston Seal **26**. Using the *Piston Seal Plunger, push the outer sealing ring over the *Piston Seal Sleeve and into the Piston seal groove. Reasonable force is required to expand and insert the outer sealing ring on the Piston, so the use of a press or vice is necessary.
- Remove the *Piston Seal Plunger and the *Piston Seal Sleeve from the Piston **1**. Lubricate the *Piston Bullet - Front, Piston shaft and Piston Seal **26** with Molykote® 111 grease.
- Screw the *Piston Guide Sleeve fully into the rear of the Body **2**. Lubricate the bores in both the Body and the *Piston Guide Sleeve with Molykote® 111 grease.
- Connect the spare *Quick Coupler - Female to the Quick Coupler - Male **10** on the Hydraulic Hose - Pull **19**. This will allow air to be released from the pull side of the Piston **1** when inserting the Piston.
- Insert the assembled Piston **1** into the rear of the Body **2** and through the assembled Front Seal Gland **15**. Push the Piston into the fully forward position until it stops against the Front Seal Gland. Hydraulic oil will be expelled from the Hydraulic Hose - Pull **19**. Reasonable force is required to insert the Piston into the Body, so the use of a press or vice may be necessary.
- Remove the spare *Quick Coupler - Female from the Quick Coupler - Male **10** on the Hydraulic Hose - Pull **19**. Remove the *Piston Guide Sleeve from the rear of the Body **2**.
- Slide O-Ring **30** over the End cap **17** and into the external groove. Insert the Spiral Back-up Ring **36** in the same groove, behind the installed O-Ring. Refer to the General Assembly and Parts List for the correct orientation of the O-Ring and Spiral Back-up Ring.
- Press the Rear Bearing Ring **29** into the internal recess within the Rear Seal Gland **16** and then install Rod Seal **28** behind the Rear Bearing Ring. Install the Wiper Seal **31** in the rear recess of the Rear Seal Gland. Refer to the General Assembly to ensure the correct orientation of the Rod Seal and Wiper Seal.

All numbers in **bold** refer to the General Assembly and Parts List on pages 16, 17 and 18.

* Service Kit on page 12.

- Clamp the tool handle in a vice with soft jaws so that the tool is pointing nose down.
- Lubricate the surface and leading edge of the Body **2** bore into which the Rear Seal Gland **16** is to be installed with Molykote® 111 grease.
- Fill the rear of the Body **2** with Enerpac® HF hydraulic oil. Oil level should be just above the rear inlet bore into the Body.
- Connect the spare *Quick Coupler - Male to the Quick Coupler - Female **11** on the Hydraulic Hose – Return **18**. This will allow air to be released from the return side of the Piston **1** when inserting the End cap **17**.
- Lubricate both the internal thread in the Body **2** and the external thread on End Cap **17** with MolyLithium Grease.
- Insert the End Cap **17** into the rear of the Body **2**, taking care not to damage the O-Ring **30** and Spiral Back- up Ring **36** on the Body threads. Screw the End Cap **17** fully into the rear of the Body using the *End Cap Assembly Tool. In doing so, a small amount of oil will be expelled from the Hydraulic Hose - Return **18**.
- Remove the spare *Quick Coupler - Male from the Quick Coupler - Female **11** on the Hydraulic Hose - Return **18**.
- Screw the Collet Adapter **40** on to the Piston **1** until the front face is flush with the end of the Piston. Align the hole in the Collet Adapter with the slot in the end of the Piston and then insert Locking Pin **41**.
- Prime the placing tool as described in Preparation for Use on page 10.

Hose Assembly:

- Remove the two Screws **9** from the Hose Clamp **13** using a 3.0mm Allen Key. Remove the Hose Clamp and Clamp Insert **20** from the Protective Sleeve **37** and Hydraulic Hoses - Return **18** and Pull **19**.
- Using the small flat screwdriver prize the Handle Gator **8** from the handle of Body **2**. Pull the Handle Gator over the Protective Sleeve **37**, Hydraulic Hoses-Return **18** and Pull **19** and remove.
- Cut the Cable Tie **35** and slide back the Protective Sleeve **37** to expose the fittings on the Hydraulic Hoses **18** and **19**. The Hydraulic Hoses can be removed from the Body **2** using 12mm and 14mm spanners.
- The Quick Couplers - Male **10** and Female **11** can be removed from the Hydraulic Hoses **18** and **19** using 18mm and 24mm spanners.
- To remove Trigger Switch **7**, first loosen Cable Gland **38**, so that the Control Cable **14** is free to move within the Body **2**. Then undo M4 Set Screw **12** using a 2.0mm Allen Key.
- Push the Control Cable **14** into the Body **2** and simultaneously pull the Trigger Switch **7** out of the Body to expose the solder joints on the Trigger Switch terminals. Unsolder the terminals to remove the Trigger Switch and Trigger Insert **39**. The Trigger Insert is bonded to the Trigger Switch and cannot be removed.
- The Control Cable **14** can now be pulled from the Body **2** and removed from the Protective Sleeve **37**.

Assemble in reverse order to dismantling noting the following points:

- Prior to assembly clean all threads on the Quick Couplers - Male **10** and Female **11** and the Hydraulic Hoses - Return **18** and Pull **19**. Then apply two to three layers of 10mm PTFE tape to the male threads on both of the Hydraulic Hoses.
- When replacing the Trigger Switch **7** apply *Loctite® 243 to the male thread on the Trigger Switch before assembling the Trigger Insert **39**.
- Apply *Loctite® 243 to M4 Set Screw **12** prior to assembly.
- Once assembled, prime the tool as per the instructions on page 10.

5.8 PROTECTING THE ENVIRONMENT

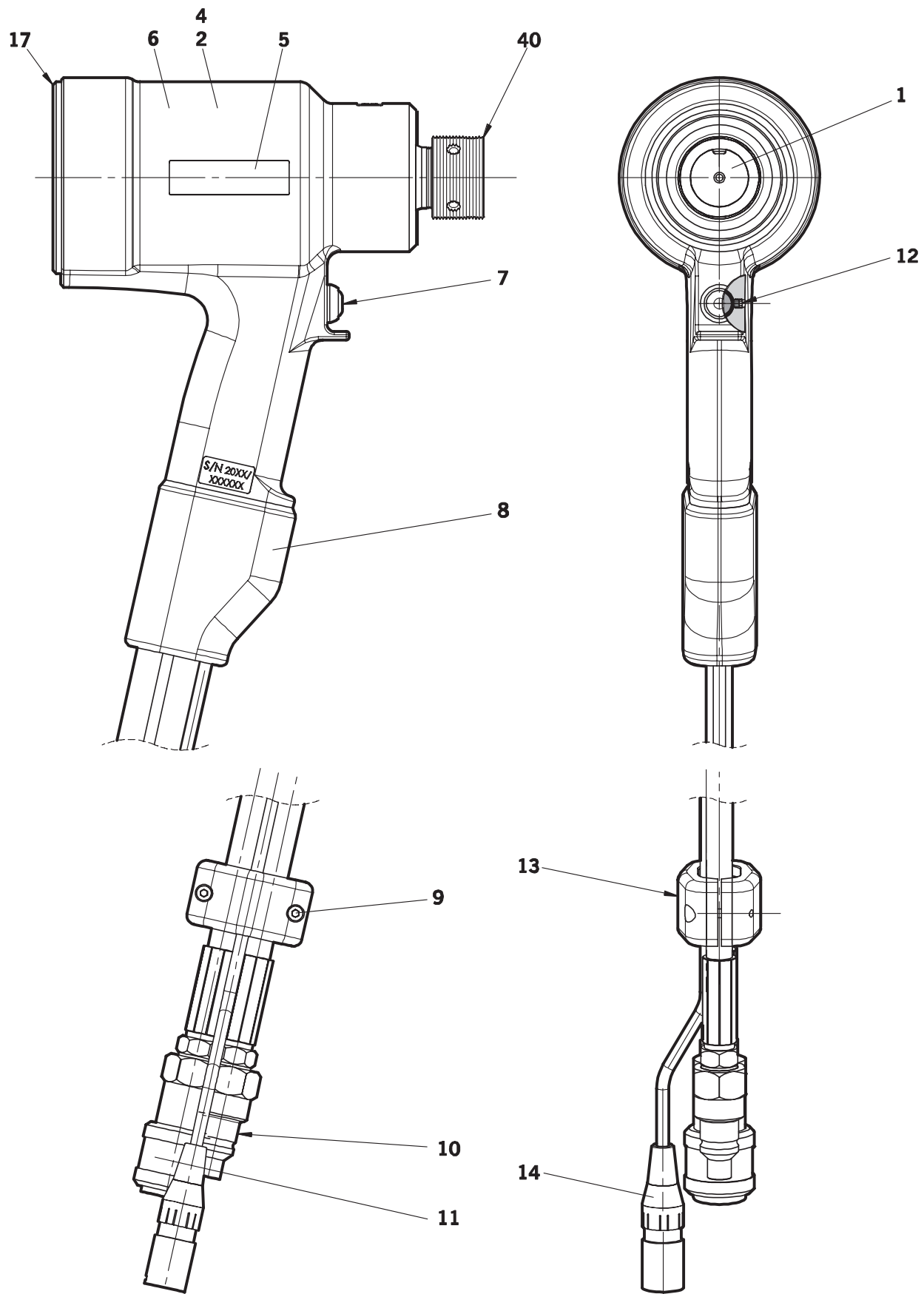
- Assure conformity with applicable disposal regulations. Dispose all waste products at an approved waste facility or site so as not to expose personnel and the environment to hazards.

All numbers in **bold** refer to the General Assembly and Parts List on pages 16, 17 and 18.

* Service Kit on page 12.

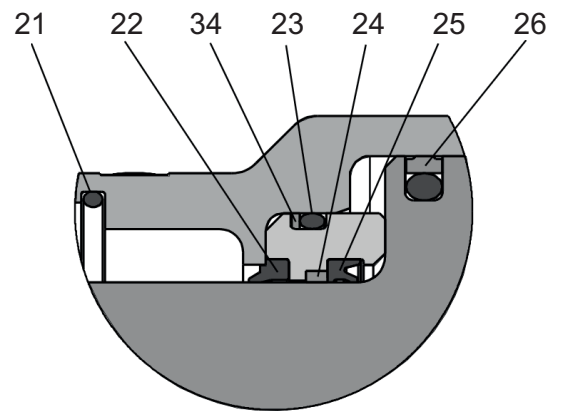
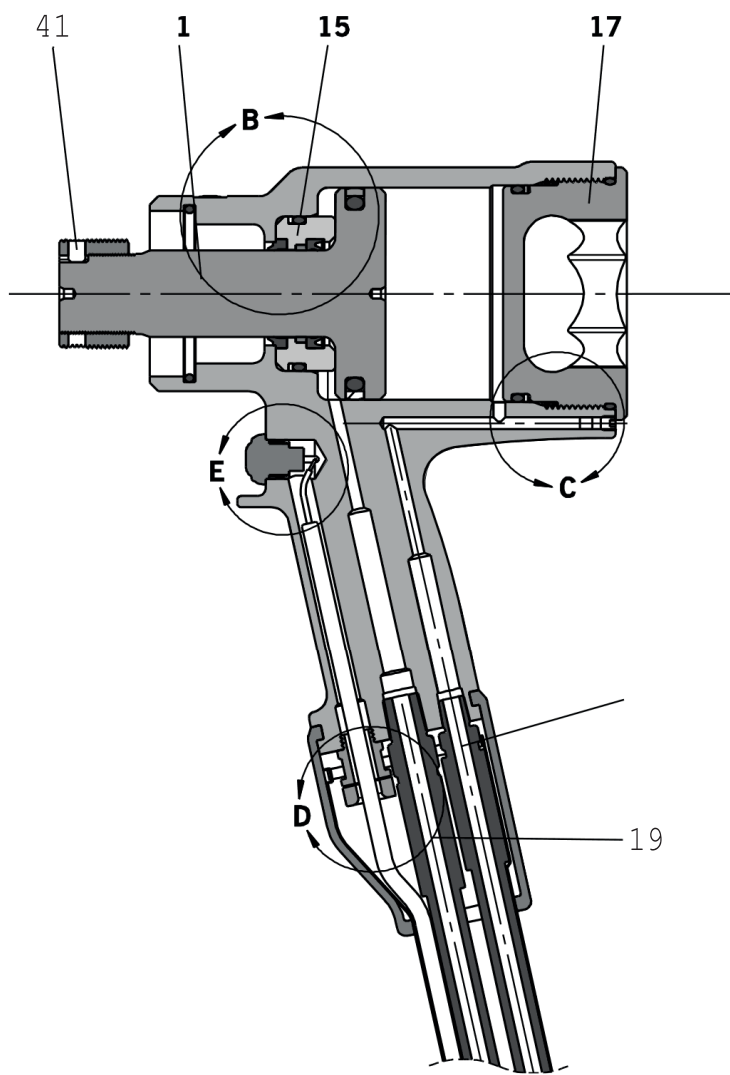
6. GENERAL ASSEMBLY AND PART LIST

6.1 GENERAL ASSEMBLY

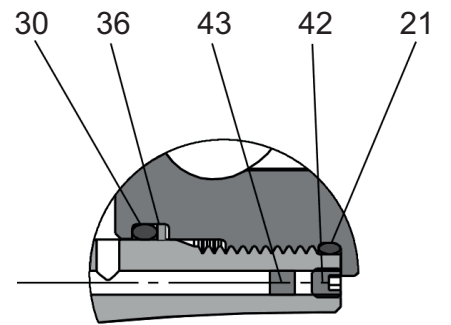


ITEM 37 PROTECTIVE SLEEVE
REMOVED FOR CLARITY

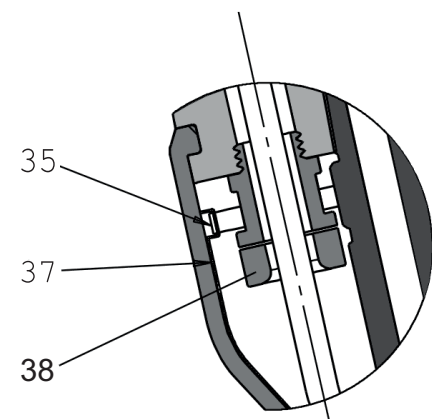
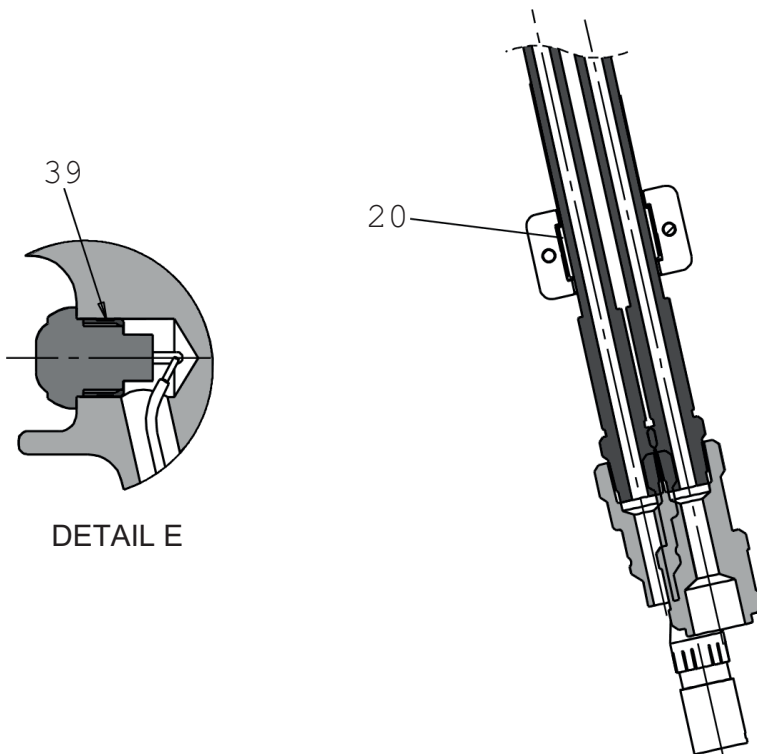
ITEM 37 PROTECTIVE SLEEVE
REMOVED FOR CLARITY



DETAIL B



DETAIL C



DETAIL D

6.2 PARTS LIST

73432-02000 Parts List			
ITEM	PART NUMBER	DESCRIPTION	QTY.
1	73434-02003	PISTON	1
2	73434-02001	BODY	1
3			
4	73425-02016	SAFETY LABEL	1
5	73434-02026	AV30 LABEL	2
6	07007-01504	CE & UKCA LABEL	1
7	07007-02103	TRIGGER SWITCH	1
8	73430-02020	HANDLE GATOR	1
9	07001-00686	M4 X 16 SKT CAP HD SCREW	2
10	07005-10118	QUICK COUPLER - MALE	1
11	07005-10120	QUICK COUPLER - FEMALE	1
12	07001-00479	M4 X 4 SKT SET SCREW	1
13	73430-02023	HOSE CLAMP	1
14	07007-02105	CONTROL CABLE	1
15	73434-02004	FRONT SEAL GLAND	1
16			
17	73434-02005	END CAP	1
18	07005-10119	HYDRAULIC HOSE - RETURN	1
19	07005-10117	HYDRAULIC HOSE - PULL	1
20	73430-02024	CLAMP INSERT	1
21	07003-00463	O-RING	2
22	07003-00452	WIPER SEAL	1
23	07003-00461	O-RING	1
24	73434-02009	FRONT BEARING RING	1
25	07003-00451	ROD SEAL	1
26	07003-00453	PISTON SEAL	1
27			
28			
29			
30	07003-00464	O-RING	1
31			
32			
33			
34	07003-00494	SPIRAL BACK-UP RING	1
35	07007-02032	CABLE TIE	1
36	07003-00496	SPIRAL BACK-UP RING	1
37	07005-10121	PROTECTIVE SLEEVE	0.6m
38	07007-02104	CABLE GLAND	1
39	73430-02008	TRIGGER INSERT	1
40	73434-02012	COLLET ADAPTER	1
41	73434-02013	LOCKING PIN	1
42	07001-00481	M5 X 5 SKT SET SCREW	1
-	07900-01022	AV30 TOOL INSTRUCTION MANUAL	1

7. SAFETY DATA

7.1 ENERPACE® HF HYDRAULIC OIL - SAFETY DATA

FIRST AID

SKIN:

Unlikely to cause harm to the skin on brief or occasional contact but prolonged or exposure may lead to dermatitis. Wash skin thoroughly with soap and water as soon as reasonably practicable. Remove heavily contaminated clothing and wash underlying skin.

ORAL:

Unlikely to cause harm if accidentally swallowed in small doses, though larger quantities may cause nausea and diarrhea. If contamination of the mouth occurs, wash out thoroughly with water. Except as a deliberate act, the ingestion of large amounts of product is unlikely. If it should occur, do not induce vomiting; obtain medical advice. Take person to nearest medical centre.

EYES:

Unlikely to cause more than transient stinging or redness if accidental eye contact occurs. Wash eyes thoroughly with copious quantities of water, ensuring eyelids are held open. Obtain medical advice if any pain or redness develops or persists.

MEDICAL ADVICE:

Treatment should in general be symptomatic and directed to relieving any effects.

Note: High Pressure Applications:

Injections through the skin, resulting from contact with the product at high pressure, constitute a major medical emergency. Injuries may not appear serious at first but within a few hours tissue becomes swollen, discolored and extremely painful with extensive subcutaneous necrosis.

Surgical exploration should be undertaken without delay. Thorough and extensive debridement of the wound and underlying tissue is necessary to minimize tissue loss and prevent or limit permanent damage. Note that high pressure may force the product considerable distances along tissue planes.

DISPOSAL

Remove all spills with inert absorbent material. Ventilate spill area. Place contaminated materials in a disposable container and dispose in a manner consistent with local regulations.

FIRE

FLASH POINT: 200°C.

Extinguish with either dry chemical, foam or carbon dioxide. Do not enter confined space without self contained breathing apparatus.

HANDLING

Use barrier cream or oil resistant gloves.

STORAGE

Undercover and consistent with local regulations for inflammable material.

7.2 MOLYLITHIUM GREASE EP 3753 - SAFETY DATA

Grease can be ordered as a single item, the part number is shown in the Service Kit page 12.

FIRST AID

SKIN:

As the grease is completely water resistant it is best removed with an approved emulsifying skin cleaner.

INGESTION:

Ensure the individual drinks 30ml Milk of Magnesia, preferably in a cup of milk.

EYES:

Irritant but not harmful. Irrigate with water and seek medical attention.

FIRE

FLASH POINT: Above 220°C.

Not classified as flammable.

Suitable extinguishing media: CO₂, Halon or water spray if applied by an experienced operator.

ENVIRONMENT

Scrape up for incineration or disposal on approved site.

HANDLING

Use barrier cream or oil resistant gloves

STORAGE

Away from heat and oxidising agent.

7.3 MOLYKOTE® 111 GREASE - SAFETY DATA

Grease can be ordered as a single item, the part number is shown in the Service Kit page 12.

FIRST AID

SKIN:

No first aid should be needed.

INGESTION:

No first aid should be needed.

EYES:

No first aid should be needed.

INHALATION:

No first aid should be needed.

FIRE

FLASH POINT: Above 101.1°C. (closed cup)

Explosive Properties: No

Suitable Extinguishing Media: Carbon Dioxide Foam, Dry Powder or fine water spray. Water can be used to cool fire exposed containers.

ENVIRONMENT

No adverse effects are predicted.

HANDLING

General ventilation is recommended. Avoid eye contact.

STORAGE

Do not store with oxidizing agents. Keep container closed and store away from water or moisture.

8. FAULT DIAGNOSIS

SYMPTOM	POSSIBLE CAUSE	REMEDY	PAGE REF.
Placing Tool will not operate	Inoperative pump unit	Check pump power supply and refer to pump unit instruction manual	
	Faulty Quick Couplers 10 and 11	Replace Quick Couplers	15
	Trigger Control Cable 14 not connected correctly	Check Control Cable is correctly connected at pump and placing tool	10
Trigger Switch 7 does not function	Damaged Trigger Switch 7 or Control Cable 14	Replace Trigger Switch and/or Control Cable	15
	Pump in local mode	Refer to pump instruction manual	
Pump running but placing tools does not function	Trigger Switch 7 , Control Cable 14 or connector damaged	Replace Trigger Switch and/or Control Cable	15
	Hydraulic Hoses not connected	Check for correct connections at pump and placing tool	10
	Low oil level	Ensure placing tool is filled with oil and correctly primed Refer to pump instruction manual	10
	Placing tool external oil leak	Inspect placing tool – replace worn or damaged components	13 - 15
	Hose Assembly external oil leak	Inspect Hose Assembly – ensure hose connections are tight and/or replace damaged hose connectors	15
	Pump internal/external oil leak	Refer to pump instruction manual	
Placing tool operates erratically	Low or erratic hydraulic pressure supply	Refer to pump instruction manual	
	Worn or damaged hydraulic seals in placing tool	Inspect placing tool – replace worn or damaged seals	13 - 15
	Worn or damaged hydraulic sealing surfaces in placing tool	Inspect placing tool – replace worn or damaged components	13 - 15
	Pump internal/external oil leak	Refer to pump instruction manual	
Pump builds full pressure, but pintail does not break	Breakload greater than placing tool capacity at full pressure	Refer to placing tool specification	7
	Flow to placing tool blocked	Check Quick Couplers 10 and 11 for full engagement	10
	Pump pressure relief value set too low	Adjust pressure relief valve settings – refer to pump instruction manual	
	Pull grooves on fastener pintail stripped	See symptom on page 22	11
	Improper tool operation		11

SYMPTOM	POSSIBLE CAUSE	REMEDY	PAGE REF.
Placing tool Piston 1 will not return	Return flow restricted or blocked	Check Quick Couplers 10 and 11 for full engagement and/or fault	10
	Hydraulic Hoses not connected	Check for correct connections at pump and placing tool	10
	Pump valve malfunction	Refer to pump instruction manual	
	Pump Return Timer setting incorrect – set too low	Adjust Return Timer to recommended setting – refer to pump instruction manual	
Placing tool does not eject the collar from the anvil	Pump return pressure relief valve set too low	Adjust return pressure relief valve to correct setting – refer to pump instruction manual	
	Low or erratic hydraulic pressure supply	Refer to pump instruction manual	
	Worn or damaged hydraulic seals in placing tool	Inspect placing tool – replace worn or damaged seals	13 - 15
	Worn or damaged hydraulic sealing surfaces in placing tool	Inspect placing tool – replace worn or damaged components	13 - 15
	Pump internal/external oil leak	Refer to pump instruction manual	
Pull grooves on fastener pintail stripped during installation	Operator not pushing nose completely onto fastener pintail before operating tool	Instruct operator in correct installation method	11
	Incorrect fastener length / grip length	Use correct fastener	
	Worn or damaged jaw segments	Check and replace jaw set – refer to nose equipment datasheet	11
	Debris in jaw segments and/or pintail grooves	Clean jaw segments – refer to nose equipment datasheet	
	Excessive sheet gap	Close gap between sheets	11
Avdelok® or Avbolt® collar not fully swaged Pintail fails to release from nose equipment	Improper tool operation		11
	Worn Anvil bore	Check and replace Anvil – refer to nose equipment datasheet	
	Incorrect assembly of nose equipment	Refer to nose equipment datasheet	
Placing tool and Hydraulic oil runs hot	Restriction in hydraulic line	Check hydraulic Quick Couplers 10 and 11 and replace if necessary	15
	High ambient temperature		
Hydraulic Quick Couplers 10 and 11 leak oil	Worn O-Ring in body of Quick Coupler Male 10	Replace O-Ring and Back-up Ring in Quick Coupler 10	15

All numbers in **bold** refer to the General Assembly and Parts List on pages 16, 17 and 18.

* Service Kit on page 12.

9. EC DECLARATION OF CONFORMITY

We, **Stanley Engineered Fastening, Stanley House, Works Road, Letchworth Garden City, Hertfordshire, SG6 1JY UNITED KINGDOM**, declare under our sole responsibility that the product:

Description: AV30 HYDRO-ELECTRIC POWER TOOL

Model: AV30 STRUCTURAL TOOL – 73434-02000

to which this declaration relates is in conformity with the following harmonized standards:

ISO 12100:2010	EN ISO 3744:2010
EN ISO 11202:2010	EN ISO 11148-1:2011
EN ISO 4413:2010	EN ISO 20643:2008+A1:2012
EN ISO 4414:2010	ES100118-rev 17:2017
EN ISO 28927-5:2009+A1:2015	

Technical documentation is compiled in accordance with Annex 1, section 1.7.4.1, in accordance with the following Directive: **2006/42/EC The Machinery Directive** (Statutory Instruments 2008 No 1597 - The Supply of Machinery (Safety) Regulations refers).

The undersigned makes this declaration on behalf of STANLEY Engineered Fastening



A. K. Seewraj

Director of Engineering, UK

Avdel UK Limited, Stanley House, Works Road, Letchworth Garden City, Hertfordshire,
SG6 1JY UNITED KINGDOM

Place of issue: Letchworth Garden City, UK

Date of issue: 12-12-2011

The undersigned is responsible for compilation of the technical file for products sold in the European Union and makes this declaration on behalf of Stanley Engineered Fastening.

Matthias Appel

Team Leader Technical Documentation

Stanley Engineered Fastening, Tucker GmbH, Max-Eyth-Str.1,
35394 Gießen, Germany



**This machinery is in conformity with
Machinery Directive 2006/42/EC**

10. UK DECLARATION OF CONFORMITY

We, **Stanley Engineered Fastening, Stanley House, Works Road, Letchworth Garden City, Hertfordshire, SG6 1JY UNITED KINGDOM**, declare under our sole responsibility that the product:

Description: AV30 HYDRO-ELECTRIC POWER TOOL

Model: AV30 STRUCTURAL TOOL – 73434-02000

to which this declaration relates is in conformity with the following harmonized standards:

ISO 12100:2010	EN ISO 3744:2010
EN ISO 11202:2010	EN ISO 11148-1:2011
EN ISO 4413:2010	EN ISO 20643:2008+A1:2012
EN ISO 4414:2010	ES100118-rev 17:2017
EN ISO 28927-5:2009+A1:2015	

Technical documentation is compiled in accordance with the Supply of Machinery (Safety) Regulations 2008, S.I. 2008/1597 (as amended).

The undersigned makes this declaration on behalf of STANLEY Engineered Fastening



A. K. Seewraj

Director of Engineering, UK

Avdel UK Limited, Stanley House, Works Road, Letchworth Garden City, Hertfordshire,
SG6 1JY UNITED KINGDOM

Place of issue: Letchworth Garden City, UK

Date of issue: 12-12-2011



This machinery is in conformity with
Supply of Machinery (Safety) Regulations 2008,
S.I. 2008/1597 (as amended)

11. PROTECT YOUR INVESTMENT!

Stanley® Engineered Fastening BLIND RIVET TOOL WARRANTY

STANLEY® Engineered Fastening warrants that all power tools have been carefully manufactured and that they will be free from defect in material and workmanship under normal use and service for a period of one (1) year.

This warranty applies to the first time purchaser of the tool for original use only.

Exclusions:

Normal wear and tear.

Periodic maintenance, repair and replacement parts due to normal wear and tear are excluded from coverage.

Abuse & Misuse.

Defect or damage that results from improper operation, storage, misuse or abuse, accident or neglect, such as physical damage are excluded from coverage.

Unauthorized Service or Modification.

Defects or damages resulting from service, testing adjustment, installation, maintenance, alteration or modification in any way by anyone other than STANLEY® Engineered Fastening, or its authorized service centres, are excluded from coverage.

All other warranties, whether expressed or implied, including any warranties of merchantability or fitness for purpose are hereby excluded.

Should this tool fail to meet the warranty, promptly return the tool to our factory authorized service centre location nearest you. For a list of STANLEY® Engineered Fastening Authorized Service Centres in the US or Canada, contact us at our toll free number (877)364 2781.

Outside the US and Canada, visit our website www.StanleyEngineeredFastening.com to find your nearest STANLEY Engineered Fastening location.

STANLEY Engineered Fastening will then replace, free of charge, any part or parts found by us to be defective due to faulty material or workmanship, and return the tool prepaid. This represents our sole obligation under this warranty.

In no event shall STANLEY Engineered Fastening be liable for any consequential or special damages arising out of the purchase or use of this tool.

Register Your Blind Rivet Tool online.

To register your warranty online, visit us at

<https://www.stanleyengineeredfastening.com/support/warranty-registration-form>

Thank you for choosing a STANLEY® Engineered Fastening's Stanley Assembly Technologies Brand tool.

©2019 STANLEY Black & Decker Tous droits réservés.

Les renseignements fournis ne peuvent pas être reproduits et/ou rendus publics d'aucune façon et par aucun moyen (électronique ou mécanique) sans autorisation écrite et explicite préalable de STANLEY Engineered Fastening. Les renseignements fournis sont basés sur des données connues au moment de l'introduction de ce produit. STANLEY Engineered Fastening applique une politique d'amélioration en permanence des produits et par conséquent, les produits peuvent être modifiés. Les renseignements fournis sont applicables au produit tels que présentés par STANLEY Engineered Fastening. Par conséquent, STANLEY Engineered Fastening ne peut pas être tenu responsable des dommages résultant de différences par rapport aux caractéristiques initiales du produit.

Les renseignements disponibles ont été rédigés avec la plus grande attention. Cependant, STANLEY Engineered Fastening n'acceptera aucune responsabilité quant au respect de toute erreur dans ces renseignements ni les conséquences qui en découleraient. STANLEY Engineered Fastening n'acceptera aucune responsabilité quant aux dommages résultant d'activités effectuées par des tiers. Les noms de travail, les noms commerciaux, les marques déposées, etc. utilisés par STANLEY Engineered Fastening ne doivent pas être considérés comme étant libres, en vertu de la loi relative à la protection des marques de commerce.

TABLE DES MATIÈRES

1. DÉFINITIONS LIÉES À SÉCURITÉ.....	28
1.1 RÈGLES GÉNÉRALES DE SÉCURITÉ.....	28
1.2 RISQUES LIÉS AUX PROJECTILES	28
1.3 RISQUES LIÉS À L'UTILISATION.....	29
1.4 RISQUES LIÉS AUX MOUVEMENTS RÉPÉTITIFS	29
1.5 RISQUES LIÉS AUX ACCESSOIRES.....	29
1.6 RISQUES EN MILIEU DE TRAVAIL	29
1.7 RISQUES LIÉS AU BRUIT.....	30
1.8 RISQUES LIÉS À LA VIBRATION.....	30
1.9 CONSIGNES DE SÉCURITÉ SUPPLÉMENTAIRES POUR LES OUTILS HYDRAULIQUES	30
2. CARACTÉRISTIQUES	31
2.1 UTILISATION PRÉVUE	31
2.2 CARACTÉRISTIQUES DE L'OUTIL	31
2.3 DIMENSIONS DE L'OUTIL	32
3. MISE EN SERVICE.....	33
3.1 PRINCIPE DE FONCTIONNEMENT	33
3.2 PRÉPARATION POUR L'UTILISATION.....	34
4. CONSIGNES D'UTILISATION	35
4.1 POUR INSTALLER UNE FIXATION AVBOLT®	35
4.2 POUR INSTALLER UNE FIXATION AVDELOK® XT	35
5. ENTRETIEN DE L'OUTIL	36
5.1 ENTRETIEN QUOTIDIEN.....	36
5.2 ENTRETIEN HEBDOMADAIRE	36
5.3 ENTRETIEN ANNUEL / TOUTES LES 150 000 UTILISATIONS.....	36
5.4 NÉCESSAIRE D'ENTRETIEN	36
5.5 OUTILS D'ENTRETIEN	36
5.6 HUILE HYDRAULIQUE	36
5.7 CONSIGNES DE DÉMONTAGE	37
5.8 PROTÉGER L'ENVIRONNEMENT	39
6. ASSEMBLAGE GÉNÉRAL ET LISTE DES COMPASANTS.....	40
6.1 ASSEMBLAGE GÉNÉRAL.....	40
6.2 LISTE DES COMPOSANTS.....	42
7. DONNÉES LIÉES À LA SÉCURITÉ	43
7.1 HUILE HYDRAULIQUE ENERPACE® HF - DONNÉES DE SÉCURITÉ.....	43
7.2 GRAISSE AU LITHIUM MOLY EP 3753 - DONNÉES LIÉES À LA SÉCURITÉ.....	43
7.3 GRAISSE MOLYKOTE® 111 - DONNÉES DE SÉCURITÉ.....	44
8. DIAGNOSTIC DE PANNE	45
9. DÉCLARATION DE CONFORMITÉ CE	47
10. DÉCLARATION DE CONFORMITÉ R-U.....	48
11. PROTÉGEZ VOTRE INVESTISSEMENT!.....	49



Ce guide d'utilisation doit être lu par toute personne qui installe ou utilise cet outil avec une attention particulière aux instructions et avertissements de sécurité suivants.



Portez toujours une protection oculaire résistant aux impacts durant l'utilisation de l'outil. Le niveau de protection requis doit être évalué pour chaque utilisation.



L'utilisation de l'outil peut exposer les mains de l'utilisateur aux risques, incluant l'écrasement, les impacts, les coupes, les éraflures et la chaleur. Portez des gants appropriés pour protéger vos mains.



Utilisez une protection auditive conforme aux instructions de l'employeur et tel que requis par les réglementations liées à la santé et la sécurité au travail.

1. DÉFINITIONS LIÉES À SÉCURITÉ

Les définitions suivantes décrivent la sévérité pour chaque mot-indicateur. Veuillez lire le guide et porter attention à ces symboles.



DANGER : Indique une situation dangereuse imminente qui, si elle ne peut être évitée, entraînera la mort ou des blessures graves.



AVERTISSEMENT : Indique une situation potentiellement dangereuse qui, si elle ne peut être évitée, pourrait entraîner la mort ou des blessures graves.



ATTENTION : Indique une situation potentiellement dangereuse qui, si elle n'est pas évitée, pourrait entraîner une blessure légère ou modérée.



ATTENTION : Utilisé sans le symbole d'alerte de sécurité indique une situation potentiellement dangereuse qui, si elle n'est pas évitée, pourrait entraîner des dommages matériels.

Une utilisation ou un entretien inappropriés de ce produit pourrait entraîner une blessure grave ou des dommages matériels.

Lisez et comprenez tous les avertissements et toutes les instructions d'utilisation avant d'utiliser cet équipement. Lorsque vous utilisez des outils électriques, des consignes de sécurité de base doivent être suivies afin de réduire le risque de blessures corporelles.

CONSERVEZ TOUS LES AVERTISSEMENTS ET TOUTES LES INSTRUCTIONS POUR RÉFÉRENCE ULTÉRIEURE.

1.1 RÈGLES GÉNÉRALES DE SÉCURITÉ

- Pour les risques multiples, lisez et comprenez les consignes de sécurité avant d'installer, d'utiliser, de réparer, d'entretenir, de changer les accessoires ou de travailler près de l'outil. Ne pas le faire peut entraîner une blessure corporelle grave.
- Seulement les utilisateurs formés et qualifiés doivent installer, ajuster ou utiliser l'outil.
- NE PAS utiliser dans un autre but que la mise en place des rivets aveugles de STANLEY Engineered Fastening.
- Utilisez seulement des pièces, des fixations et des accessoires recommandés par le fabricant.
- NE PAS modifier l'outil. Les modifications peuvent réduire l'efficacité des mesures de sécurité et augmenter les risques pour l'utilisateur. Toute modification de l'outil entreprise par le client sera l'entière responsabilité du client et annulera toute garantie applicable.
- Ne pas jeter les consignes de sécurité; donnez-les à l'utilisateur.
- Ne pas utiliser l'outil s'il a été endommagé.
- Avant d'utiliser, vérifiez si les pièces en mouvement sont mal alignées ou fixes, s'il y a des bris des pièces et tout autre état qui affecte l'utilisation de l'outil. S'il est endommagé, faites réparer l'outil avant de l'utiliser. Retirez toute clé de réglage avant de l'utiliser.
- Les outils doivent être inspectés régulièrement afin de vérifier les caractéristiques nominales et les inscriptions requises par cette partie de la norme ISO 11148 sont indiquées lisiblement sur l'outil. L'employeur/utilisateur doit contacter le fabricant pour obtenir des étiquettes de remplacement au besoin.
- L'outil doit être maintenu dans un état de fonctionnement sécuritaire en tout temps, vérifié régulièrement pour des dommages et utilisé par du personnel qualifié. Toute procédure de démontage sera entreprise seulement par du personnel qualifié. Ne pas démonter cet outil sans référence préalable aux instructions d'entretien.

1.2 RISQUES LIÉS AUX PROJECTILES

- Déconnectez l'outil de l'unité de pompe hydraulique avant d'effectuer tout entretien, tenter d'ajuster, installer ou retirer un assemblage d'embout ou des accessoires.

- Sachez que la défaillance de la pièce de travail ou des accessoires ou même l'outil inséré lui-même peut générer des projectiles à haute vitesse.
- Portez toujours une protection oculaire résistant aux impacts durant l'utilisation de l'outil. Le niveau de protection requis doit être évalué pour chaque utilisation.
- Les risques pour autrui doivent aussi être évalués à ce moment.
- Assurez-vous que la pièce de travail est fixée solidement.
- Assurez-vous que le moyen de protection contre l'éjection de la fixation et/ou du mandrin est en place et fonctionnelle.
- Prémunissez-vous contre l'éjection puissante possible des mandrins à l'avant de l'outil.
- NE PAS utiliser un outil qui est dirigé vers toute personne.

1.3 RISQUES LIÉS À L'UTILISATION

- L'utilisation de l'outil peut exposer les mains de l'utilisateur aux risques, incluant l'écrasement, les impacts, les coupes, les éraflures et la chaleur. Portez des gants appropriés pour protéger vos mains.
- Les utilisateurs et le personnel d'entretien doivent être physiquement en mesure de manipuler le volume, le poids et la puissance de l'outil.
- Tenez l'outil correctement; soyez prêt à contrer les mouvements normaux ou brusques et ayez les deux mains disponibles.
- Gardez l'outil sec, propre et exempt d'huile et de graisse.
- Maintenez une position corporelle équilibrée et un aplomb solide lorsque vous utilisez l'outil.
- Relâchez le dispositif de démarrage et d'arrêt en cas d'interruption de l'alimentation hydraulique.
- Utilisez seulement les lubrifiants recommandés par le fabricant.
- Le contact avec le liquide hydraulique doit être évité. Afin de minimiser la possibilité d'éruptions cutanées, des précautions doivent être prises pour laver en profondeur si un contact se produit.
- Les fiches signalétiques pour toutes les huiles hydrauliques et tous les lubrifiants sont disponibles sur demande chez votre fournisseur d'outils.
- Évitez des postures inappropriées, car il est probable que ces postures ne permettent pas de contrer les mouvements normaux ou inattendus de l'outil.
- Si l'outil est fixé à un dispositif de suspension, assurez-vous que la fixation est sécuritaire.
- Attention aux risques d'écrasement ou de pincement si l'équipement de l'embout n'est pas installé.
- NE PAS utiliser l'outil avec le boîtier de l'embout retiré.
- Un espace approprié est requis pour les mains de l'utilisateur avant de procéder.
- Lorsque vous transportez l'outil d'un endroit à l'autre, gardez vos mains loin de la gâchette afin d'éviter une activation par inadvertance.
- NE PAS abuser de l'outil en l'échappant ou en l'utilisant comme un marteau.
- Des précautions doivent être prises pour assurer que les mandrins usés ne constituent pas un danger.

1.4 RISQUES LIÉS AUX MOUVEMENTS RÉPÉTITIFS

- Lors de l'utilisation de l'outil, l'utilisateur peut ressentir un inconfort dans les mains, les bras, les épaules, le cou ou d'autres parties du corps.
- Pendant qu'il utilise l'outil, l'utilisateur doit adopter une posture confortable tout en maintenant un aplomb sécuritaire et en évitant des postures inconfortables ou déséquilibrées. L'utilisateur doit modifier sa posture durant les tâches prolongées; cela peut aider à éviter l'inconfort et la fatigue.
- Si l'utilisateur ressent des symptômes comme un inconfort persistant ou récurrent, de la douleur, des sensations de pulsations, de crampes, de picotements, d'engourdissements, de brûlures ou de raideur, ces avertissements ne doivent pas être ignorés. L'utilisateur doit le dire à l'employeur et consultez un professionnel de la santé.

1.5 RISQUES LIÉS AUX ACCESSOIRES

- Débranchez l'outil de l'alimentation hydraulique et électrique avant de monter ou de démonter l'embout ou un accessoire.
- Utilisez seulement les tailles et les types d'accessoires ou de produits consommables qui sont recommandés par le fabricant de l'outil; ne pas utiliser d'autres tailles ou types d'accessoires ou des produits consommables.

1.6 RISQUES EN MILIEU DE TRAVAIL

- Les glissements, trébucher et les chutes sont des causes majeures des blessures en milieu de travail. Tenez compte des surfaces glissantes causées par l'utilisation de l'outil et les risques de trébucher causés par les conduites d'air ou le tuyau hydraulique.
- Soyez prudent dans les environnements inconnus. Il peut y avoir des dangers cachés comme l'électricité ou d'autres câbles de services publics.

- L'outil n'est pas conçu pour une utilisation en atmosphères potentiellement explosives et il n'est pas isolé contre le contact avec l'électricité.
- Assurez-vous qu'il n'y a aucun câble électrique, tuyau de gaz, etc. qui peut causer un danger s'il est endommagé par l'utilisation de l'outil.
- Habillez-vous convenablement. Ne pas porter de vêtements amples ou des bijoux. Gardez vos cheveux, vos vêtements et vos gants hors de portée des pièces en mouvement. Les vêtements amples, les bijoux ou les cheveux longs peuvent se coincer dans les pièces en mouvement.
- Des précautions doivent être prises pour assurer que les mandrins usés ne constituent pas un danger.

1.7 RISQUES LIÉS AU BRUIT

- L'exposition à des niveaux élevés du bruit peut causer une perte de l'ouïe invalidante permanente et d'autres problèmes comme l'acouphène (tintements, bourdonnements, sifflements ou vrombissements dans les oreilles). Ainsi, l'évaluation des risques et la mise en œuvre des contrôles appropriés pour ces risques sont essentielles.
- Les contrôles appropriés pour réduire les risques peuvent comprendre des mesures comme des matériaux insonorisant afin d'empêcher le « tintement » des pièces de travail.
- Utilisez une protection auditive conforme aux instructions de l'employeur et tel que requis par les réglementations liées à la santé et la sécurité au travail.
- Utilisez et maintenez l'outil conformément aux recommandations du guide d'utilisation afin de prévenir une augmentation non nécessaire du niveau du bruit.

1.8 RISQUES LIÉS À LA VIBRATION

- L'exposition à la vibration peut causer des dommages invalidants aux nerfs et à l'apport sanguin aux mains et aux bras.
- Portez des vêtements chauds lorsque vous travaillez dans le froid et gardez vos mains propres et sèches.
- Si vous ressentez des engourdissements, des picotements, de la douleur ou un blanchiment de la peau des doigts ou des mains, cessez d'utiliser l'outil, avisez votre employeur et consultez un médecin.
- Lorsque c'est possible, soutenez le poids de l'outil sur un support, un tensionneur ou un dispositif d'équilibre parce qu'une prise plus légère peut alors être utilisée pour soutenir l'outil.

1.9 CONSIGNES DE SCURITÉ SUPPLÉMENTAIRES POUR LES OUTILS HYDRAULIQUES

- L'alimentation hydraulique opérationnelle ne doit pas excéder 550 bars (8000 PSI).
- L'huile sous pression peut causer une blessure grave.
- Ne pas installer des tuyaux hydrauliques flexibles de pression de service nominale inférieure à 700 bars (10 000 PSI) à un débit de 2,73 l/min (200 en 3/min).
- Ne jamais laisser l'outil fonctionner sans surveillance. Déconnectez le tuyau hydraulique et le câble électrique de l'unité de la pompe lorsque l'outil n'est pas utilisé avant de changer les accessoires ou lors de réparations.
- Frapper les tuyaux peut causer une blessure grave. Vérifiez toujours s'il y a des tuyaux et des raccords endommagés ou desserrés.
- Avant utilisation, inspectez les tuyaux hydrauliques en termes de dommages ; tous les raccords hydrauliques doivent être propres, entièrement engagés et serrés avant utilisation. Ne pas échapper des objets lourds sur les tuyaux. Un impact considérable peut causer des dommages internes et entraîner une défaillance prématurée des tuyaux.
- Lorsque des raccords tournants universels (raccords à griffes) sont utilisés, les goupilles de sécurité doivent être installées et les câbles de sécurité pour tuyaux doivent être utilisés contre une possible défaillance d'une connexion tuyau à outil ou tuyau à tuyau.
- NE PAS lever l'outil de mise en place par l'embout ou le câble électrique. Utilisez toujours la poignée de l'outil de mise en place.
- NE PAS tirer ou déplacer l'unité de pompe hydraulique à l'aide des tuyaux. Utilisez toujours la poignée de l'unité de la pompe ou la cage roulante.
- Gardez la saleté et les corps étrangers hors du système hydraulique de l'outil puisque cela causera un mauvais fonctionnement de l'outil.
- Utiliser seulement de l'huile et de l'équipement de remplissage propres.
- Utiliser seulement les fluides hydrauliques recommandés.
- Les unités d'alimentation nécessitent une circulation d'air libre aux fins de refroidissement et doivent par conséquent être placées dans une zone bien ventilée et exempte de vapeurs dangereuses.
- La température maximale du fluide hydraulique en entrée est de 110°C (230°F).

La politique STANLEY Engineered Fastening est une politique de développement et d'amélioration en permanence et nous nous réservons le droit de modifier les caractéristiques de tout produit sans préavis.

2. CARACTÉRISTIQUES

2.1 UTILISATION PRÉVUE

L'outil d'installation AV™30 se compose principalement d'un piston et d'un vérin. Lorsqu'il est couplé hydrauliquement et électriquement à une source d'énergie hydraulique compatible et que l'embout correspondant est attaché, il est utilisé pour installer Avbolt® 1/2 po à 5/8 po et Avdelok® XT 1/2 po à 3/4 po dans des environnements industriels.

L'outil de mise en place et l'unité de pompe hydraulique peuvent seulement être utilisés conformément aux consignes d'utilisation pour la mise en place des rivets pour charpente Stanley Engineered Fastening.

Consultez le tableau suivant pour la liste des fixations applicables et de l'équipement de l'embout associé. Consultez les fiches signalétiques énumérées dans le tableau pour les instructions de l'assemblage de l'embout pertinentes.

NE PAS utiliser en conditions mouillées ou en présence de liquides ou de gaz inflammables.

FIXATION		ASSEMBLAGE D'EMBOUT			ASSEMBLAGE D'EMBOUT FICHE SIGNALÉTIQUE
TYPE	TAILLE	NUMÉRO DE PIÈCE	DIM. 'A'	DIM. 'B'	NUMÉRO DE PIÈCE
AVBOLT®	1/2 po	73412-03600	113 mm	43 mm	07900-00905
	5/8 po	73412-03400	113 mm	52 mm	07900-00905
AVDELOK® XT	1/2 po	73412-03100	113 mm	43 mm	07900-00919
	5/8 po	73412-03200	115 mm	48 mm	07900-00919
	3/4 po	73412-03300	134 mm	56 mm	07900-00919

*Assemblage d'embout avec libération de la mâchoire.

Consultez l'illustration à la page 32 pour identifier les dimensions de l'assemblage des embouts « A » et « B ».

Les avertissements de sécurité doivent être suivis en tout temps.

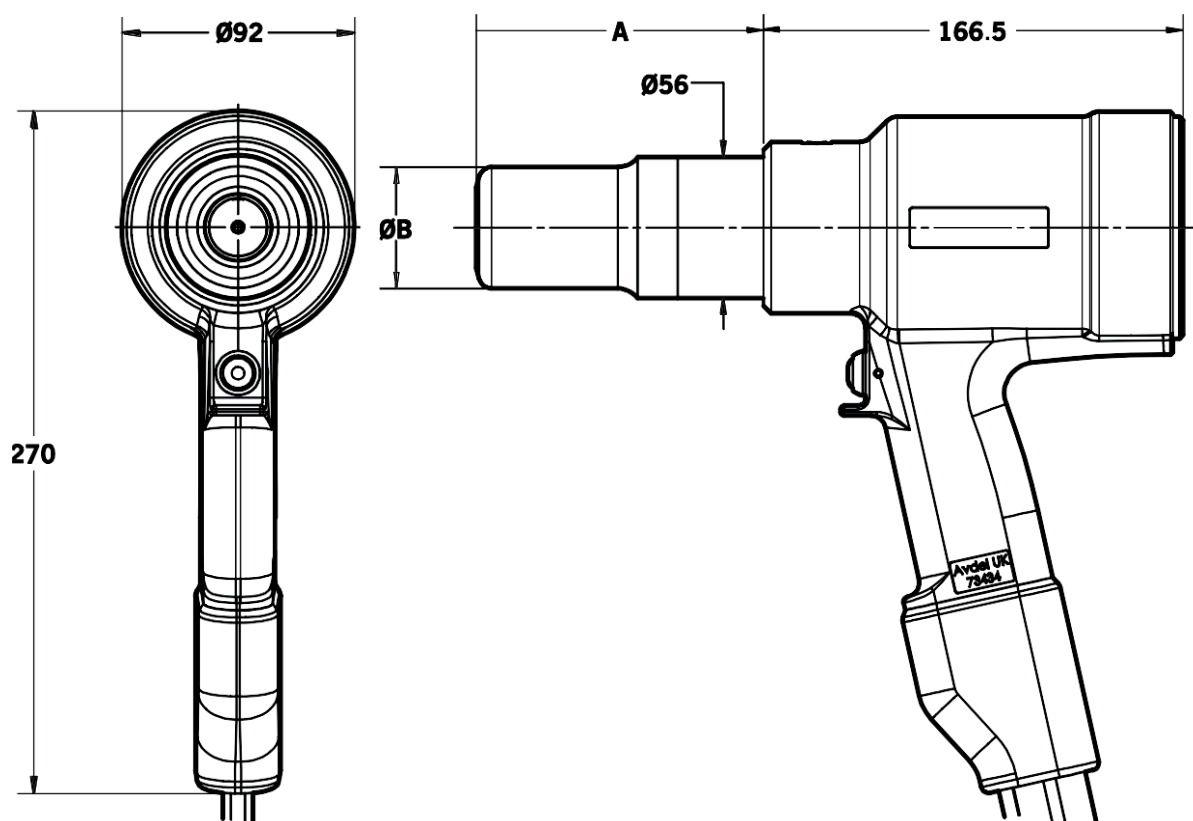
2.2 CARACTÉRISTIQUES DE L'OUTIL

	SPÉCIFICATION	MÉTRIQUE	IMPÉRIALE
Force :	Tirer à pression de traction indiquée	175,0 kN	39341,0 lbf
	Pousser à la pression de retour indiquée	80,0 kN	17985,0 lbf
Pression :	Traction	510 bars	7397 PSI
	Retour	200 bars	2901 PSI
Course :	Course du piston	41,0 mm	1,61 po
Poids :	Sans équipement d'embout	6,9 kg	15,3 lb
Huile hydraulique :	Huile hydraulique Enerpac® – HF-95X		
Gamme de produits :	Avbolt®	12,7 à 15,9 mm	1/2 à 5/8 po
	Avdelok® XT	12,7 à 19,1 mm	1/2 à 3/4 po
Caractéristiques supplémentaires :	Éjection de la tige – avant ou arrière	Avant	
	Joint d'étanchéité	Joints à lèvres et joints racleurs	
	Bagues de roulement hydrauliques	Oui – Avant	
	Poignée protectrice / Tuyau Gator	Oui	
	Protecteur de tuyau	Oui	
	Tuyau / Pincés de retenue des câbles	Oui	

Valeurs de bruits déterminées selon les codes de test de bruit ISO 15744 et ISO 3744.		AV30
Niveau acoustique pondéré A dB(A), L_{WA}	Bruit incertain : $k_{WA} = 3,0$ dB(A)	94,3 dB(A)
Niveau de pression acoustique pondéré A à la station de travail dB(A), L_{pA}	Bruit incertain : $k_{pA} = 3,0$ dB(A)	83,3 dB(A)
Niveau de pression acoustique du pic pondéré C dB(C), L_{pC} , pic	Bruit incertain : $k_{pC} = 3,0$ dB(C)	128,1 dB(C)

Valeurs de bruits déterminées selon les codes de test de vibration ISO 20643 et ISO 5349.		AV30
Niveau d'émissions de vibrations, a_{hd} :	Incertitude de la vibration : $k = 0,48$ m/s ²	0,952 m/s ²
Valeurs d'émissions de vibrations déclarées conformément à la norme EN 12096		

2.3 DIMENSIONS DE L'OUTIL



Toutes les dimensions sont indiquées en millimètres.

Consultez le tableau à la page 31 pour les dimensions de l'assemblage des embouts « A » et « B ».

L'outil est équipé de deux tuyaux hydrauliques et d'un câble de commande électrique mesurant 0,6 m. Un tuyau hydraulique et des rallonges de câbles supplémentaires peuvent être commandés séparément au besoin. Consultez le tableau suivant pour la liste des longueurs d'assemblages d'embouts disponibles et les numéros de pièces associés.

ASSEMBLAGE DE TUYAU HYDRAULIQUE	
NUMÉRO DE PIÈCE	LONGUEUR DU TUYAU
07008-00448	5 mètres
07008-00449	10 mètres
07008-00450	15 mètres

3. MISE EN SERVICE

3.1 PRINCIPE DE FONCTIONNEMENT

IMPORTANT - LISEZ ATTENTIVEMENT LES RÈGLES DE SÉCURITÉ DES PAGES 28 – 30 ET LE GUIDE D'UTILISATION DE L'UNITÉ DE LA POMPE AVANT DE METTRE EN SERVICE

Lorsque les tuyaux et le câble de commande sont connectés à l'unité de pompe hydraulique Avdel® / Enerpac®, les cycles de tractions et de retours de l'outil sont contrôlés en appuyant sur la gâchette située sur la poignée.

Lorsque vous appuyez sur la gâchette, l'électrovalve, située dans l'unité de pompe hydraulique, est stimulée et dirige le flux d'huile pressurisé vers le côté de travail du piston dans l'outil de mise en place. Cela permet aussi à l'huile du côté retour de l'outil de mise en place de retourner au réservoir.

Durant les cycles de traction, l'assemblage de piston/pince de serrage se déplace vers l'arrière de l'outil permettant au coussinet de type joint torique de pousser le fouloir et les mâchoires vers l'avant. Si la tige de fixation a été insérée dans l'assemblage de l'embout, l'ensemble des mâchoires se serrera sur le bout de la tige et l'assemblage commencera.

Pour Avbolt® et Avdelok® XT, le cycle d'installation serrera d'abord le joint à fixer, puis pendant que l'enclume continue à avancer, le collet sera serti dans les rainures de verrouillage de la tige. À la fin du cycle de sertissage, l'enclume se heurtera au joint et alors que le mouvement continue, le bout de la tige se brisera.

La gâchette doit immédiatement être relâchée après que le bris de la tige se soit produit. Relâcher la gâchette fera en sorte que l'électrovalve sera mise hors tension et inversera le flux de l'huile pressurisée.

Si la gâchette n'est pas relâchée, le piston de l'outil de mise en place continuera à se diriger vers l'arrière de l'outil jusqu'à ce qu'il atteigne la fin de sa course. La pression dans le côté traction augmentera alors jusqu'à ce que la valeur « Pression élevée » soit atteinte à la pompe. À ce stade, l'électrovalve sera automatiquement mise hors tension et inversera le flux de l'huile pressurisée vers le côté retour de l'outil de mise en place.

Dans un cas ou l'autre, l'huile pressurisée s'écoulera maintenant dans le côté retour de l'outil de mise en place, avec l'huile dans le côté traction retournant au réservoir.

Le mouvement vers l'avant de l'assemblage de piston/pince de serrage éjectera la fixation installée de l'enclume.

Au moment de relâcher la gâchette ou lorsque la valeur « Pression élevée » est atteinte, l'électrovalve sera mise hors tension et activera la « Minuterie de retour » prédéfinie. Elle contrôle la durée à laquelle le moteur de la pompe continuera à fonctionner avant de passer en mode veille. La minuterie peut être réglée manuellement de 5 à 20 secondes pour assurer que le piston de l'outil de mise en place retourne complètement en position avant (voir le manuel de la pompe 07900--01030, pages 10 et 13).

Lorsque le piston est complètement en position avant, la pression augmentera à la valeur de pression basse prédéfinie - c200bar. Le moteur de la pompe continuera à fonctionner jusqu'à ce que la minuterie de retour soit expirée. Après cette période, le moteur s'arrêtera automatiquement et la valve passera en mode veille. L'électrovalve effectuera alors un cycle pour libérer l'huile pressurisée du réservoir tant du côté traction que du côté retour de l'outil de mise en place.

Cela gardera l'outil d'installation en position avant. Aucune pression ne doit être présente dans le système hydraulique à ce point.

L'unité de la pompe hydraulique démarrera automatiquement lorsque vous appuyez sur la gâchette de l'outil.

3.2 PRÉPARATION POUR L'UTILISATION

ATTENTION : LES BONNES PRESSIONS DE TRACTION ET DE RETOUR SONT IMPORTANTES POUR LE FONCTIONNEMENT APPROPRIÉ DE L'OUTIL D'INSTALLATION. UNE BLESSURE CORPORELLE OU DES DOMMAGES À L'ÉQUIPEMENT PEUVENT SE PRODUIRE SANS LES BONNES PRESSIONS. LES PRESSIONS DE TRACTION ET DE RETOUR FOURNIES PAR L'UNITÉ DE POMPE HYDRAULIQUE NE DOIVENT PAS EXCÉDER CELLES QUI SONT ÉNUMÉRÉES DANS LES CARACTÉRISTIQUES DE L'OUTIL DE MISE EN PLACE.

IMPORTANT – AVANT DE METTRE EN SERVICE L'OUTIL D'INSTALLATION ET L'ENSEMBLE DE FLEX L'HYDRAULIQUE :

ASSUREZ-VOUS QUE LES SOUPAPES DE SÉCURITÉ ONT ÉTÉ RÉGLÉES SELON LES INSTRUCTIONS DE LA POMPE ET QUE LES PRESSIONS MAXIMALES SONT INDIQUÉES POUR L'OUTIL DE MISE EN PLACE ET LES TUYAUX.

ASSUREZ-VOUS QUE L'ENSEMBLE DE TUYAUX EST PRÉPARÉ AVEC DU LIQUIDE HYDRAULIQUE CONFORMÉMENT À LA PROCÉDURE DANS LE GUIDE D'UTILISATION DE LA POMPE 07900-01030.

- Assurez-vous que l'alimentation électrique de l'unité de la pompe hydraulique est éteinte.
- Connectez les raccords rapides des tuyaux hydrauliques de l'outil de mise en place à l'unité de la pompe avant de connecter le câble électrique. Les tuyaux et le câble de commande doivent être connectés dans cet ordre et déconnectés dans l'ordre inverse.
- Mettez en marche l'alimentation du réseau électrique à l'unité de la pompe hydraulique. Attendez 5 secondes pour que l'unité de la pompe termine la séquence d'initialisation avant d'appuyer sur la gâchette. Lorsque tout est prêt, l'écran ACL sur l'unité de la pompe affichera « AVDEL ».
- Durant la séquence d'initialisation, le système de contrôle de la pompe identifie toute utilisation de la gâchette comme dysfonctionnement potentiel et empêche le moteur de démarrer. L'écran ACL affichera « BUTTON FAULT » dans ce cas. Réinitialisez en éteignant l'alimentation électrique pendant 10 secondes.
- Assurez-vous que l'outil de mise en place est placé sous les réservoirs de la pompe. Appuyez et relâchez la gâchette de l'outil de mise en place quelques fois jusqu'à la course complète de l'outil pour faire circuler le liquide hydraulique et expulser l'air de l'outil.
- Observez l'action de l'outil. Vérifiez s'il y a des fuites de liquides et assurez-vous qu'en mode veille le piston est complètement en position avant. L'outil de mise en place sera maintenant prêt.
- Éteignez l'alimentation électrique de l'unité de pompe hydraulique, puis déconnectez l'outil de mise en place de l'unité de la pompe dans l'ordre inverse à celui décrit précédemment.
- Connectez maintenant l'outil de mise en place à l'ensemble de tuyaux hydrauliques préparé et au câble de commande électrique. Connectez ensuite les raccords rapides de l'ensemble de tuyaux hydrauliques et la câble de commande électrique à l'unité de la pompe.
- Fixez l'assemblage de l'embout à l'outil selon les instructions dans la fiche signalétique pertinente de l'assemblage de l'embout.
- Mettez en marche l'alimentation du réseau électrique à l'unité de la pompe hydraulique tel que décrit précédemment.
- Appuyez et relâchez la gâchette de l'outil de mise en place quelques fois jusqu'à la course complète de l'outil pour faire circuler le liquide hydraulique.
- L'outil de mise en place est maintenant prêt à être utilisé.

4. CONSIGNES D'UTILISATION

4.1 POUR INSTALLER UNE FIXATION AVBOLT®

- Vérifiez le travail et éliminez l'écart excessif. (L'écart est l'espace entre les composantes du joint. L'écart est excessif si le bout de la tige ne colle pas suffisamment dans le collet afin que les mâchoires de l'assemblage de l'embout s'y agrippent).
- Mettez une fixation Avbolt® dans un trou.
- Poussez l'assemblage de l'embout sur la tige jusqu'à ce que l'enclume de l'assemblage de l'embout s'arrête contre le collet. L'outil et l'assemblage de l'embout doivent être tenus à angles droits (90°) sur le travail.
- Appuyez sur la gâchette pour démarrer le cycle d'installation.
- Lorsque le mouvement avant de l'enclume de l'assemblage de l'embout s'arrête et que le bout de la tige se brise, relâchez la gâchette. L'outil reviendra à sa course de retour et poussez la fixation installée. À la fin de la course de retour, les mâchoires libèrent partiellement le bout de la tige qui peut être retiré en inclinant l'embout de l'outil vers le bas.
- Une fois que la fixation installée a été éjectée, l'outil et l'assemblage de l'embout sont prêts pour l'installation suivante.

4.2 POUR INSTALLER UNE FIXATION AVDELOK® XT

- Vérifiez le travail et éliminez l'écart excessif. (L'écart est l'espace entre les composantes du joint. L'écart est excessif si le bout de la tige ne colle pas suffisamment dans le collet afin que les mâchoires de l'assemblage de l'embout s'y agrippent).
- Mettez une fixation Avdelok® XT dans un trou.
- Glissez le collet Avdelok® XT sur la tige. (L'extrémité biseautée du collet doit être vers l'assemblage de l'embout et l'outil.)
- Poussez l'assemblage de l'embout sur la tige jusqu'à ce que l'enclume de l'assemblage de l'embout s'arrête contre le collet. L'outil et l'assemblage de l'embout doivent être tenus à angles droits (90°) sur le travail.
- Appuyez sur la gâchette pour démarrer le cycle d'installation.
- Lorsque le mouvement avant de l'enclume de l'assemblage de l'embout s'arrête et que le bout de la tige se brise, relâchez la gâchette. L'outil reviendra à sa course de retour et poussez la fixation installée. À la fin de la course de retour, les mâchoires libèrent partiellement le bout de la tige qui peut être retiré en inclinant l'embout de l'outil vers le bas.
- Une fois que la fixation installée a été éjectée, l'outil et l'assemblage de l'embout sont prêts pour l'installation suivante.

ATTENTION : NE PAS TENTER DE BRISER LE BOUT DE LA TIGE SANS L'INSTALLATION DU COLLET PUISQUE CELA CAUSERA L'ÉJECTION DE LA PARTIE NON SÉCURISÉE DE LA TIGE AVDELOK® OU AVBOLT® DE L'EMBOUT À HAUTE VITESSE ET AVEC FORCE.

5. ENTRETIEN DE L'OUTIL

IMPORTANT – LISEZ LES CONSIGNES DE SÉCURITÉ AUX PAGES 28 - 30. L'EMPLOYEUR EST RESPONSABLE D'ASSURER QUE LES INSTRUCTIONS D'ENTRETIEN SONT DONNÉES AU PERSONNEL APPROPRIÉ. L'UTILISATEUR DOIT NE PAS S'IMPLIQUER DANS L'ENTRETIEN OU LES RÉPARATIONS DE L'OUTIL À MOINS D'AVOIR ÉTÉ FORMÉ DE FAÇON APPROPRIÉE. L'OUTIL DOIT ÊTRE EXAMINÉ RÉGULIÈREMENT EN TERMES DE DOMMAGES ET DE DYSFONCTIONNEMENT.

5.1 ENTRETIEN QUOTIDIEN

- Vérifiez s'il y a des fuites d'huiles sur l'outil de mise en place, les tuyaux et les raccords rapides.
- Les tuyaux et les raccords usés ou endommagés doivent être remplacés.
- Vérifiez si la course de l'outil respecte la spécification.
- Vérifiez si le déflecteur de la tige est bien en place.
- Vérifiez que la traction de la pompe / soupape de sécurité avancée fonctionne correctement.
- Vérifiez l'enclume est usé. Cela est indiqué par des rayures sur le collet installé. Cela peut être confirmé en consultant les données indiquées dans le catalogue de fixations. L'usure excessive peut causer le bris de l'enclume.

5.2 ENTRETIEN HEBDOMADAIRE

- Démontez et nettoyez l'assemblage de l'embout particulièrement les mâchoires comme décrit dans la fiche signalétique de l'assemblage de l'embout.
- Vérifiez s'il y a des fuites d'huile sur l'outil de mise en place, les tuyaux et les raccords rapides.

ATTENTION : Ne jamais utiliser de solvant ou d'autres produits chimiques forts pour le nettoyage des pièces non métalliques de l'outil. Ces produits chimiques peuvent affaiblir les matériaux utilisés dans ces pièces.

5.3 ENTRETIEN ANNUEL / TOUTES LES 150 000 UTILISATIONS

- L'outil doit être complètement démonté tous les 150 000 cycles et des composants neufs doivent être utilisés s'ils sont usés, endommagés ou selon les recommandations. Tous les joints toriques, les bagues d'appui et les joints d'étanchéité doivent être renouvelés et lubrifiés avec de la graisse MolyKote® 111 avant d'assembler.

5.4 NÉCESSAIRE D'ENTRETIEN

Pour un entretien complet, le nécessaire d'entretien suivant est disponible :

NÉCESSAIRE D'ENTRETIEN : 73432-99990			
NUMÉRO DE PIÈCE	DESCRIPTION	NUMÉRO DE PIÈCE	DESCRIPTION
07005-10118	Raccord rapide - Mâle	07900-00972	Tige de guidage du fouloir avant AV30
07005-10120	Raccord rapide - Femelle	07900-00963	Manchon de guidage du piston AV30
07900-00958	Corps d'outil du capuchon d'extrémité	07992-00020	Graisse – MolyLithium EP3753
07900-00969	Manchon du joint de piston AV30	07900-00755	Graisse – Molykote® 111
07900-00970	Plongeur du joint de piston AV30	07900-00756	Adhésif frein-filet Loctite® 243
07900-00971	Balle à piston AV30 - Avant		

5.5 OUTILS D'ENTRETIEN

Les outils standard suivants sont aussi requis :

- Clé hexagonale : 2,0 / 3,0 mm
- Clé plate à extrémité ouverte : 12 / 14 / 18 / 24 / 45 mm A/F
- Ruban PTFE : 10 mm
- Étau de mécanicien avec protecteurs de mâchoires – 150 mm

5.6 HUILE HYDRAULIQUE

ATTENTION : Utilisez seulement de l'huile hydraulique Enerpac® HF : l'utilisation de toute autre huile peut causer un mauvais fonctionnement de l'outil de mise en place et de la pompe et annulera la garantie de l'outil de mise en place.

L'huile hydraulique peut être commandée sous les numéros de pièces suivants.

HUILE HYDRAULIQUE			
NUMÉRO DE PIÈCE	07992-00081	07992-00082	07992-00083
Numéro de pièce Enerpac®	HF-95X	HF-95Y	HF-95T
Volume	1 litre	5 litres	20 litres
Viscosité	32 mm ² /s	32 mm ² /s	32 mm ² /s

5.7 CONSIGNES DE DÉMONTAGE

IMPORTANT : ASSUREZ-VOUS QUE L'ALIMENTATION ÉLECTRIQUE DE L'UNITÉ DE LA POMPE HYDRAULIQUE EST ÉTEINTE AVANT DE RETIRER L'ASSEMBLAGE DE L'EMBOU OU DE DÉMONTÉ DE L'OUTIL DE MISE EN PLACE.

Avant le démontage :

- Désaccouplez les raccords rapides **10** et **11** ainsi que le câble de commande électrique **14** entre l'outil de mise en place et l'ensemble du tuyau hydraulique.
- Retirez l'assemblage de l'embout de l'outil de mise en place selon les instructions dans la fiche signalétique rélevante de l'assemblage de l'embout.
- Les substances potentiellement dangereuses qui peuvent s'être déposées sur la machine à la suite de processus de travail doivent être éliminées avant l'entretien.

Pour un entretien complet de l'outil, nous conseillons de le démonter dans l'ordre indiqué dans les pages 37 à 39. Après le démontage de l'outil, nous vous recommandons de remplacer tous les joints d'étanchéité.

Assemblage du piston de la tête :

- À l'aide d'un petit tournevis plat, retirez la tige **41** de l'adaptateur de la pince de serrage **40**.
- Dévissez et retirez l'adaptateur de la pince de serrage **40** du piston **1**.
- Serrez la poignée de l'outil dans un étau avec des mâchoires souples afin que l'outil pointe l'embout vers le bas.
- Connectez le raccord rapide mâle* de rechange au raccord rapide femelle **11** sur le tuyau hydraulique de retour **18**. Cela libérera toute pression de côté retour du piston **1** et facilitera le retrait du capuchon d'extrémité **17**.
- Insérez le corps d'outil de l'assemblage du capuchon d'extrémité dans le capuchon d'extrémité **17**.
- À l'aide d'une clé A/F 24 mm, dévissez et retirez le capuchon d'extrémité **17** du corps **2**.
- À l'aide d'un petit tournevis plat, retirez le joint torique **21** du capuchon d'extrémité **17** et jetez.
- À l'aide d'un petit tournevis plat ou d'un outil semblable, retirez le joint torique **30** et la bague d'appui en spirale **36** de la rainure externe sur le capuchon d'extrémité **17** et jetez. Lorsque vous retirez les joints, veillez à ne pas endommager la surface du capuchon d'extrémité avec le tournevis.
- Retirez l'outil de mise en place de l'étau et videz l'huile hydraulique de l'arrière de l'outil. Retirez le raccord rapide mâle de rechange* du raccord rapide femelle **11**.
- Connectez le raccord rapide femelle de rechange au raccord rapide mâle **10** sur le tuyau hydraulique de traction **19**. Cela libérera toute pression de côté traction du piston **1** et facilitera le retrait du piston **1**.
- Vissez la balle de piston avant* à l'avant du piston **1**.
- Placez l'embout du corps **2** vers le haut sur un établi. Puis à l'aide d'un maillet souple, tapez sur le piston **1** vers l'arrière du corps et sortez l'extrémité arrière en prenant soin de ne pas endommager l'alésage du corps.
- Remarquez que lors du retrait du piston **1**, l'huile du côté traction du piston s'écoulera de l'avant et de l'arrière du corps **2**.
- Lorsque vous retirez le piston **1**, le dispositif d'étanchéité avant **15** peut être retenu sur l'axe du piston. Si c'est le cas, dévissez la balle du piston avant* et retirez le dispositif d'étanchéité avant du piston.
- Le joint de piston **26** est un joint en 2 morceaux comprenant un joint d'étanchéité externe et un joint torique. À l'aide d'un petit couteau, coupez la bague d'étanchéité externe et retirez-la de la rainure externe sur le piston **1**. Ensuite, retirez le joint torique du piston à l'aide d'un petit tournevis plat et jetez. Lorsque vous retirez les joints, veillez à ne pas endommager la surface du piston.
- Si le dispositif d'étanchéité avant **15** est toujours retenu dans le corps **2**. Placez l'embout du corps vers haut sur un établi, puis poussez le dispositif d'étanchéité avant jusqu'à ce qu'il se libère de l'encoche dans le corps. Le dispositif d'étanchéité

Tous les numéros **en gras** font référence à l'assemblage général et la liste des pièces dans les pages 40, 41 et 42.

*Nécessaire d'entretien sur la page 36.

avant peut alors être retiré de l'extrémité arrière du corps. Veillez à ne pas endommager l'alésage du corps lorsque vous le faites.

- À l'aide d'un petit tournevis plat, retirez le joint torique **23** et la bague d'appui en spirale **34** de la rainure externe sur le dispositif d'étanchéité avant **15** et jetez. Lorsque vous retirez les joints, veillez à ne pas endommager la surface du dispositif d'étanchéité avant avec le tournevis.
- Retirez le joint de tige **25** et le joint racleur **22** des rainures internes sur le dispositif d'étanchéité **15** et jetez. Lorsque vous retirez les joints, veillez à ne pas endommager la surface du dispositif d'étanchéité avant avec le tournevis.
- Retirez la bague de roulement avant **24** et vérifiez la pièce en cas d'usure ou de dommages. Jetez au besoin.
- À l'aide d'un petit tournevis plat, retirez le joint torique **21** du corps **2** et jetez.
- Retirez le raccord rapide femelle* de rechange du raccord rapide mâle 10 sur le tuyau hydraulique de traction **19**.
- Ne pas retirer la vis de pression **42** du corps **2**.

Assemblez dans l'ordre inverse pour démonter en remarquant les points suivants :

- Nettoyez toutes les composantes avant d'assembler.
- Pour aider à assembler les joints, appliquez une légère couche de graisse Molykote® 111 sur tous les joints, les rainures de joints, les bagues d'appui et les outils d'assemblage.
- Glissez le joint torique **23** sur le dispositif d'étanchéité avant **15** dans la rainure externe. Insérez la bague d'appui en spirale **34** dans la même rainure à l'avant du joint torique installé. Consultez l'assemblage général et la liste des pièces pour la bonne orientation du joint torique et de la bague d'appui en spirale.
- Enfoncez la bague de roulement avant **24** dans l'encoche interne dans le dispositif d'étanchéité avant **15**, puis installez le joint de tige **25** derrière la bague de roulement avant. Installez le joint racleur **22** dans l'encoche avant du dispositif d'étanchéité avant. Consultez l'assemblage général pour assurer la bonne orientation du joint de tige et du joint racleur.
- Lubrifiez la surface et le bord d'attaque de l'alésage du corps **2** dans lequel le dispositif d'étanchéité avant **15** doit être installé avec de la graisse Molykote® 111.
- Lubrifiez le bout mâle sur l'outil de la tige de guidage du fouloir avant*, puis placez le dispositif d'étanchéité avant **15**, l'extrémité du joint de tige **25** d'abord, complètement sur le bout mâle. Insérez la tige de guidage du fouloir avant **2**, puis poussez le dispositif d'étanchéité avant complètement dans l'alésage du corps. Une force raisonnable est nécessaire pour insérer le dispositif d'étanchéité avant dans le corps, par conséquent, l'utilisation d'une presse ou un étau peut être nécessaire. Retirez la tige de guidage du fouloir avant* tout en assurant que le dispositif d'étanchéité avant demeure en place.
- Lubrifiez la rainure de joint et le diamètre externe majeur du piston **1** avec de la graisse Molykote® 111. Glissez le joint de piston **26** à l'avant du diamètre majeur du piston et dans la rainure de joint.
- Vissez la balle de piston avant sur le piston **1**. Placez le manchon du joint de piston* sur l'axe du piston, puis placez la bague d'étanchéité externe du joint de piston **26** sur le manchon du joint de piston* afin qu'il s'appuie sur le diamètre conique. Lubrifiez la surface du manchon du joint de piston* avec de la graisse Molykote® 111.
- Placez le plongeur du joint de piston* sur la tige du piston **1** et le manchon du joint de piston* afin que l'extrémité ouverte du plongeur du joint de piston* s'appuie sur la bague d'étanchéité externe du joint de piston **26**. À l'aide du plongeur du joint de piston*, poussez la bague d'étanchéité externe sur le manchon du joint de piston* et dans la rainure du joint de piston. Une force raisonnable est nécessaire pour élargir et insérer la bague d'étanchéité externe sur le piston, par conséquent, l'utilisation d'une presse ou d'un étau est nécessaire.
- Retirez le plongeur du joint de piston* et le manchon du joint de piston du piston **1**. Lubrifiez la balle de piston*, l'axe du piston et le joint de piston **26** avec de la graisse Molykote® 111.
- Vissez complètement le manchon de guidage du piston à l'arrière du corps **2**. Lubrifiez les alésages du corps et le manchon de guidage du piston* avec de la graisse Molykote® 111.
- Connectez le raccord rapide femelle de rechange au raccord rapide mâle **10** sur le tuyau hydraulique de traction **19**. Cela permettra à l'air d'être libéré du côté traction du piston **1** lors de l'insertion du piston.
- Insérez le piston **1** assemblé à l'arrière du corps **2** et dans le dispositif d'étanchéité avant **15** assemblé. Poussez le piston complètement en position avant jusqu'à ce qu'il s'arrête contre le dispositif d'étanchéité avant. L'huile hydraulique sera expulsée du tuyau hydraulique de traction **19**. Une force raisonnable est nécessaire pour insérer le piston dans le corps, par conséquent, l'utilisation d'une presse ou un étau peut être nécessaire.
- Retirez le raccord rapide femelle* de rechange du raccord rapide mâle **10** sur le tuyau hydraulique de traction **19**.
- Retirez complètement le manchon de guidage du piston* de l'arrière du corps **2**.
- Glissez le joint torique **30** sur le capuchon d'extrémité **17** et dans la rainure externe. Insérez la bague d'appui en spirale **36** dans la même rainure derrière le joint torique installé. Consultez l'assemblage général et la liste des pièces pour la bonne orientation du joint torique et de la bague d'appui en spirale.

Tous les numéros **en gras** font référence à l'assemblage général et la liste des pièces dans les pages 40, 41 et 42.

*Nécessaire d'entretien sur la page 36.

- Enfoncez la bague de roulement arrière **29** dans l'encoche interne dans le dispositif d'étanchéité arrière **16**, puis installez le joint de tige **28** derrière la bague de roulement avant. Installez le joint racleur **31** dans l'encoche arrière du dispositif d'étanchéité arrière. Consultez l'assemblage général pour assurer la bonne orientation du joint de tige et du joint racleur.
- Serrez la poignée de l'outil dans un étau avec des mâchoires souples afin que l'outil pointe l'embout vers le bas.
- Lubrifiez la surface et le bord d'attaque de l'alésage du corps **2** dans lequel le dispositif d'étanchéité arrière **16** doit être installé avec de la graisse Molykote® 111.
- Remplissez l'arrière du corps **2** avec de l'huile hydraulique Enerpac® HF. Le niveau d'huile doit être juste au-dessus de l'alésage d'entrée arrière dans le corps.
- Connectez le raccord rapide mâle* de rechange au raccord rapide femelle **11** sur le tuyau hydraulique de retour **18**. Cela permettra à l'air d'être libéré du côté retour du piston **1** lors de l'insertion du capuchon d'extrémité **17**.
- Lubrifiez le filet interne dans le corps **2** et le filet externe du capuchon d'extrémité **17** avec de la graisse MolyLithium.
- Insérez le capuchon d'extrémité **17** à l'arrière du corps **2**, en veillant à ne pas endommager le joint torique **30** et la bague d'appui en spirale **36** sur les filets du corps. Vissez complètement le capuchon d'extrémité **17** à l'arrière du corps à l'aide de l'outil d'assemblage du capuchon d'extrémité*. En faisant ceci, une petite quantité d'huile sera expulsée du tuyau hydraulique de retour **18**.
- Retirez le raccord rapide mâle* de rechange du raccord rapide femelle **11** sur le tuyau hydraulique de retour **18**.
- Vissez l'adaptateur de la pince de serrage **40** sur le piston **1** jusqu'à ce que la face avant soit égale avec l'extrémité du piston. Alignez le trou de l'adaptateur de la pince de serrage avec la fente à l'extrémité du piston, puis insérez la tige de verrouillage **41**.
- Préparez l'outil de mise en place comme décrit dans la préparation pour l'utilisation à la page 34.

Assemblage des tuyaux :

- Retirez les deux vis **9** du collier de serrage du tuyau **13** à l'aide d'une clé hexagonale 3,0mm. Retirez le collier de serrage des tuyaux et la douille de serrage **20** du manchon protecteur **37** et des tuyaux hydrauliques de retour **18** et de traction **19**.
- À l'aide du petit tournevis plat, ouvrez la poignée Gator **8** de la poignée du corps **2**. Tirez la poignée Gator sur le manchon protecteur **37**, les tuyaux hydrauliques de retour **18** et tirez **19** et retirez.
- Coupez le collier de serrage **35** et glissez le manchon protecteur à nouveau **37** pour exposer les raccords sur les tuyaux hydrauliques **18** et **19**. Les tuyaux hydrauliques peuvent être retirés du corps **2** à l'aide des clés 12 mm et 14 mm.
- Les raccords rapides mâle **10** et femelle **11** peuvent être retirés des tuyaux hydrauliques **18** et **19** à l'aide des clés 18 mm et 24 mm.
- Pour retirer la gâchette **7**, desserrez d'abord le dispositif du câble **38**, de sorte que le câble de commande **14** puisse se déplacer librement dans le corps **2**. Dévissez ensuite la vis de pression M4 **12** à l'aide d'une clé hexagonale de 2,0 mm.
- Poussez le câble de commande **14** dans le corps **2** et tirez simultanément la gâchette **7** hors du corps pour exposer les joints de soudure sur les bornes de la gâchette. Dessoudez les bornes pour retirer la gâchette et l'insert de gâchette **39**. L'insert de gâchette est collé à la gâchette et ne peut pas être retiré.
- Le câble de commande **14** peut maintenant être retiré du corps **2** et enlevé du manchon protecteur **37**.

Assemblez dans l'ordre inverse pour démonter en remarquant les points suivants :

- Avant d'assembler, nettoyez tous les filets sur les raccords rapides mâle **10** et femelle **11** et les tuyaux hydrauliques de retour **18** et de traction **19**. Appliquez ensuite deux à trois couches de ruban PTFE 10 mm sur les filets mâles sur les deux tuyaux hydrauliques.
- Lors du remplacement de la gâchette **7**, appliquez du *Loctite® 243 sur le filetage mâle de la gâchette avant d'assembler l'insert de gâchette **39**.
- Appliquez du *Loctite® 243 sur la vis de pression M4 **12** avant l'assemblage.
- Une fois assemblé, préparez l'outil selon les instructions de la page 34.

5.8 PROTÉGER L'ENVIRONNEMENT

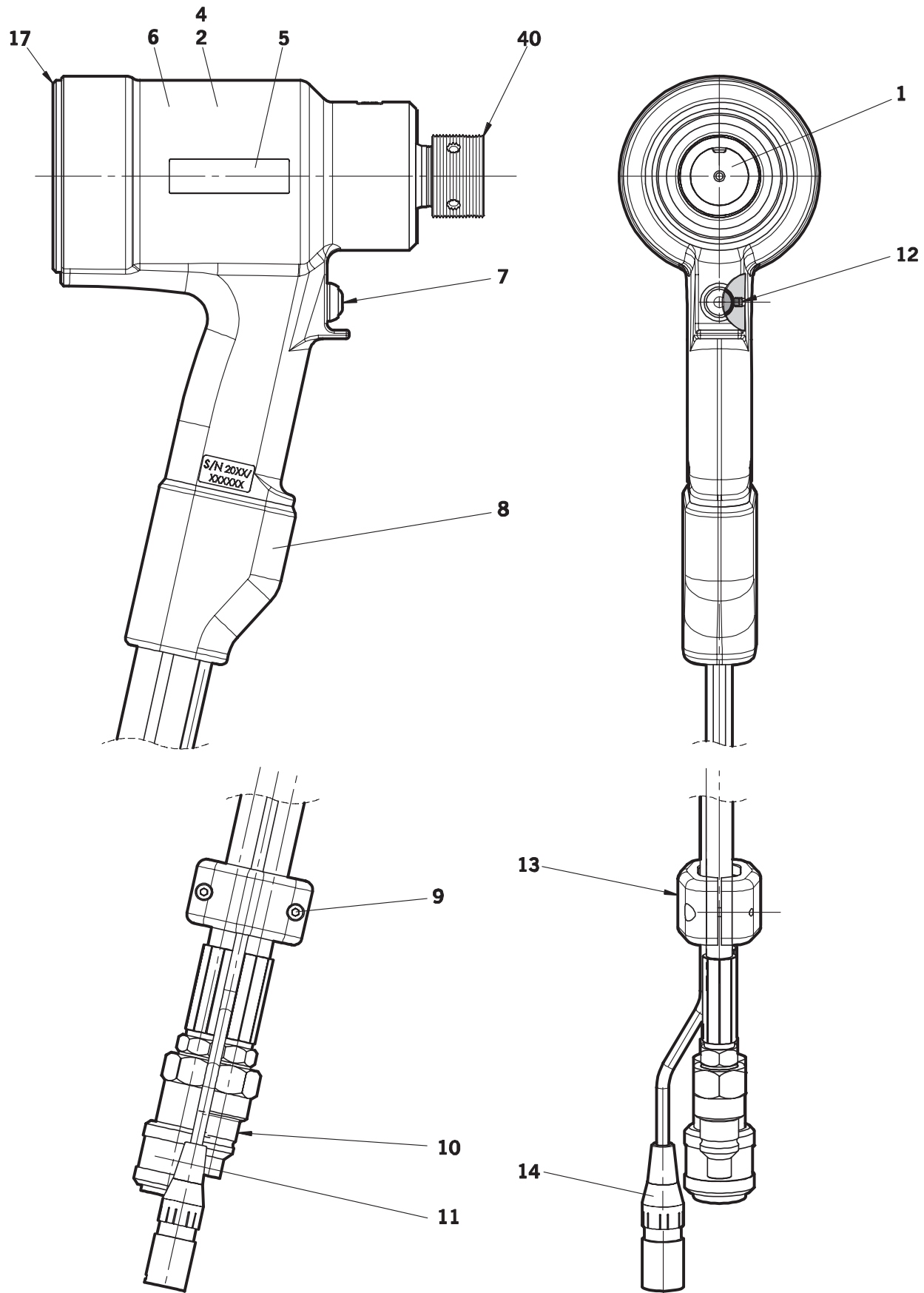
- Assurez-vous de la conforme aux réglementations applicables sur l'élimination. Éliminez tous les déchets dans une installation ou un site de gestion des déchets approuvé afin de ne pas exposer le personnel et l'environnement aux dangers.

Tous les numéros **en gras** font référence à l'assemblage général et la liste des pièces dans les pages 40, 41 et 42.

*Nécessaire d'entretien sur la page 36.

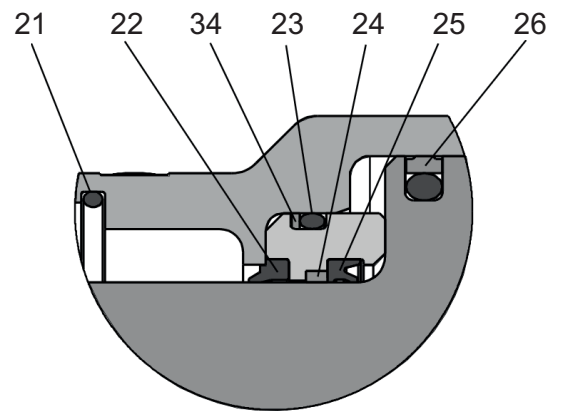
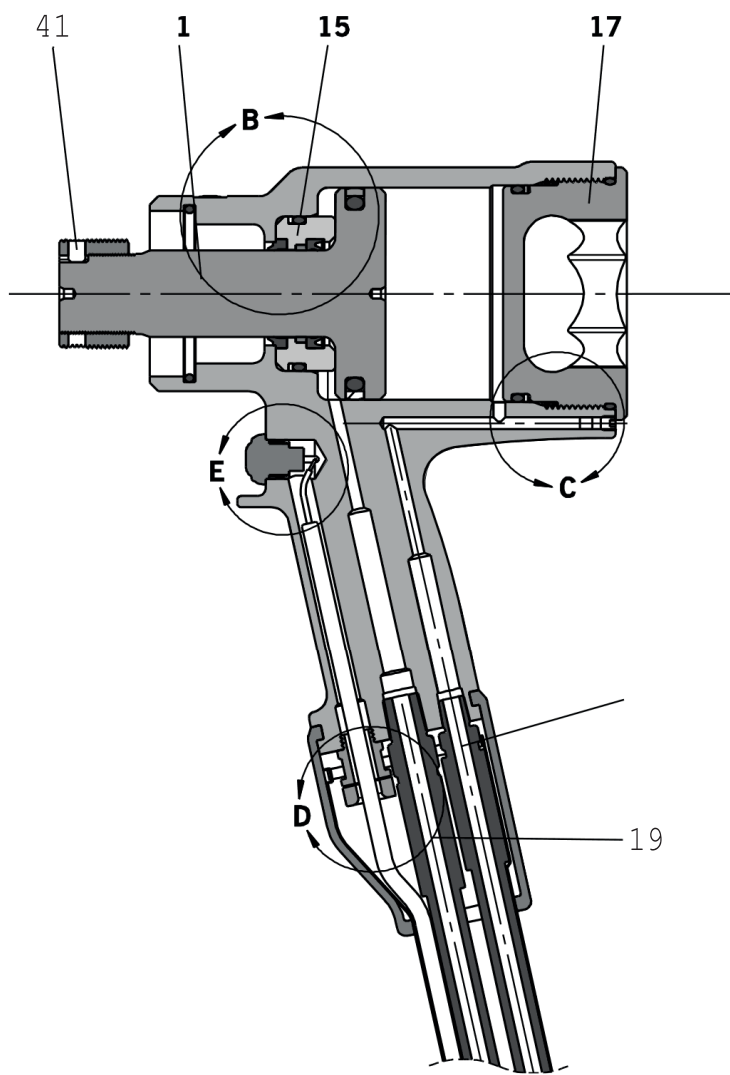
6. ASSEMBLAGE GÉNÉRAL ET LISTE DES COMPASANTS

6.1 ASSEMBLAGE GÉNÉRAL

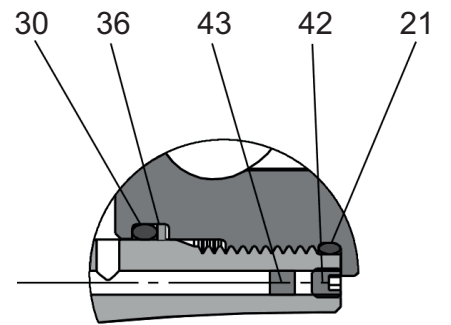


ITEM 37 PROTECTIVE SLEEVE
REMOVED FOR CLARITY

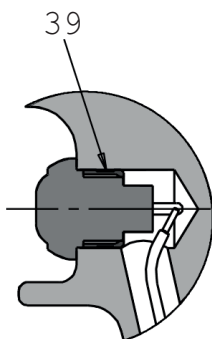
ITEM 37 PROTECTIVE SLEEVE
REMOVED FOR CLARITY



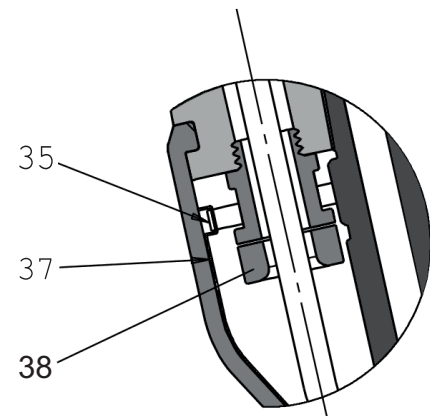
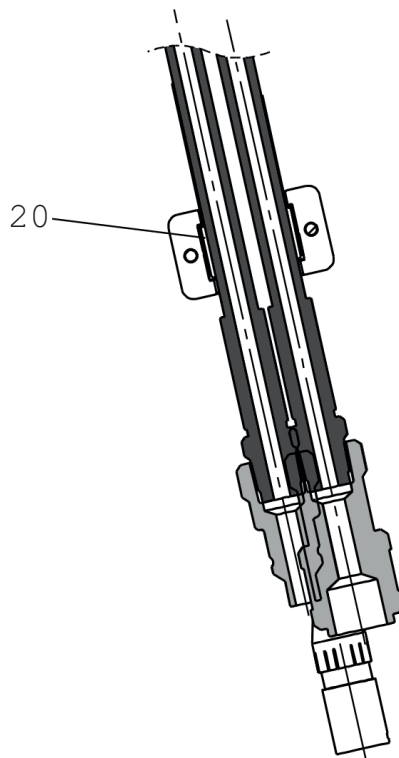
DETAIL B



DETAIL C



DETAIL E



DETAIL D

6.2 LISTE DES COMPOSANTS

Liste des pièces 73432-02000			
ARTICLE	NUMÉRO DE PIÈCE	DESCRIPTION	QTÉ
1	73434-02003	PISTON	1
2	73434-02001	CORPS	1
3			
4	73425-02016	ÉTIQUETTE DE SÉCURITÉ	1
5	73434-02026	ÉTIQUETTE AV30	2
6	07007-01504	ÉTIQUETTE CE & UKCA	1
7	07007-02103	GÂCHETTE	1
8	73430-02020	POIGNÉE GATOR	1
9	07001-00686	M4 X 16 VIS D'ASSEMBLAGE À SIX PANS CREUX	2
10	07005-10118	RACCORD RAPIDE MÂLE	1
11	07005-10120	RACCORD RAPIDE FEMELLE	1
12	07001-00479	M4 X 4 VIS DE PRESSION À TÊTE CREUSE	1
13	73430-02023	COLLIER DE SERRAGE DU TUYAU	1
14	07007-02105	CÂBLE DE COMMANDE	1
15	73434-02004	DISPOSITIF D'ÉTANCHÉITÉ AVANT	1
16			
17	73434-02005	CAPUCHON D'EXTRÉMITÉ	1
18	07005-10119	TUYAU HYDRAULIQUE DE RETOUR	1
19	07005-10117	TUYAU HYDRAULIQUE DE TRACTION	1
20	73430-02024	DOUILLE DE SERRAGE	1
21	07003-00463	JOINT TORIQUE	2
22	07003-00452	JOINT RACLEUR	1
23	07003-00461	JOINT TORIQUE	1
24	73434-02009	BAGUES DE ROULEMENT AVANT	1
25	07003-00451	JOINT DE TIGE	1
26	07003-00453	JOINT DE PISTON	1
27			
28			
29			
30	07003-00464	JOINT TORIQUE	1
31			
32			
33			
34	07003-00494	BAGUE D'APPUI EN SPIRALE	1
35	07007-02032	COLLIER DE SERRAGE	1
36	07003-00496	BAGUE D'APPUI EN SPIRALE	1
37	07005-10121	MANCHON PROTECTEUR	0,6 m
38	07007-02104	DISPOSITIF DU CÂBLE	1
39	73430-02008	INSERT DE LA GÂCHETTE	1
40	73434-02012	ADAPTATEUR DE PINCE DE SERRAGE	1
41	73434-02013	TIGE DE VERROUILLAGE	1
42	07001-00481	M5 X 5 VIS DE PRESSION À TÊTE CREUSE	1
-	07900-01022	MANUEL D'INSTRUCTION DE L'OUTIL AV30	1

7. DONNÉES LIÉES À LA SÉCURITÉ

7.1 HUILE HYDRAULIQUE ENERPACE® HF - DONNÉES DE SÉCURITÉ

PREMIERS SOINS

PEAU :

Lésion cutanée peu probable lors d'un contact bref ou occasionnel mais un contact ou une exposition prolongée peut provoquer une dermatite. Lavez soigneusement la peau à l'eau et au savon dès que possible. Retirez les vêtements très contaminés et lavez la peau qui était en contact avec eux.

BUCCALE :

Lésion peu probable en cas d'ingestion accidentelle de petites doses, bien que des quantités plus importantes puisse provoquer des nausées et de la diarrhée. En cas de contamination buccale, lavez soigneusement à l'eau. Sauf en cas d'acte délibéré, l'ingestion de grandes quantités est improbable. Dans un tel cas, ne provoquez pas de vomissement ; obtenez un avis médical. Emmenez la personne au centre médical le plus proche.

YEUX :

Peu probable de causer plus qu'un picotement passager ou une rougeur en cas de contact oculaire accidentel. Lavez soigneusement les yeux avec une grande quantité d'eau en veillant à maintenir les paupières ouvertes. Obtenez un avis médical en cas de douleur ou de rougeur persistante.

AVIS MÉDICAL :

Le traitement doit en général être symptomatique et viser à soulager les effets éventuels.

Remarque : Applications à haute pression :

Les injections à travers la peau, résultant du contact avec le produit à haute pression, constituent une urgence médicale majeure. Les blessures peuvent ne pas sembler graves au début, mais en quelques heures, les tissus deviennent gonflés, décolorés et extrêmement douloureux, présentant une nécrose sous-cutanée étendue.

Une exploration chirurgicale doit être entreprise sans délai. Un nettoyage approfondi et étendu de la plaie et des tissus sous-jacents est nécessaire pour minimiser la perte de tissus et prévenir ou limiter les dommages permanents. Notez que la pression élevée peut forcer le produit à parcourir des distances considérables le long des plans tissulaires.

ÉLIMINATION

Éliminez toute matière renversée avec une matière absorbante inerte. Ventilez la surface de renversement. Placez les matières contaminées dans un contenant jetable et éliminez-le conformément aux réglementations locales.

INCENDIE

POINT D'ÉCLAIR : 200°C.

Éteignez avec de la poudre, une substance chimique, de la mousse ou du dioxyde de carbone. N'entrez pas dans un espace confiné sans appareil de respiration autonome.

MANUTENTION

Utilisez une crème barrière ou des gants résistant à l'huile.

ENTREPOSAGE

À couvert et conformément aux réglementations locales concernant les matières inflammables.

7.2 GRAISSE AU LITHIUM MOLY EP 3753 - DONNÉES LIÉES À LA SÉCURITÉ

La graisse peut être commandée comme article séparé, la référence est indiquée sur la page du nécessaire d'entretien 36.

PREMIERS SOINS

PEAU :

Étant donné que la graisse est complètement résistante à l'eau, il vaut mieux l'enlever avec nettoyant émulsifiant pour la peau approuvé.

INGESTION :

Assurez-vous que la personne boive 30 ml de lait de magnésie, de préférence dans une tasse de lait.

YEUX :

Irritant, mais pas dangereux. Irriguez avec de l'eau et consultez un médecin.

INCENDIE

POINT D'ÉCLAIR : Au-dessus de 220 °C.

Non classé comme inflammable.

Moyens d'extinction appropriés : CO₂, halon ou jet d'eau si appliqué par un utilisateur expérimenté.

ENVIRONNEMENT

Rassemblez pour l'incinération ou l'élimination dans un site approuvé.

MANUTENTION

Utilisez une crème barrière ou des gants résistant à l'huile

ENTREPOSAGE

À l'écart de la chaleur et des oxydants.

7.3 GRAISSE MOLYKOTE® 111 - DONNÉES DE SÉCURITÉ

La graisse peut être commandée comme article séparé, la référence est indiquée sur la page du nécessaire d'entretien 36.

PREMIERS SOINS

PEAU :

Aucun premier soin nécessaire.

INGESTION :

Aucun premier soin nécessaire.

YEUX :

Aucun premier soin nécessaire.

INHALATION :

Aucun premier soin nécessaire.

INCENDIE

POINT D'ÉCLAIR : Au-dessus de 101,1 °C (en vase clos)

Propriétés d'explosion : Non

Moyens d'extinction appropriés : Mousse de dioxyde de carbone, poudre sèche ou jet d'eau fin. L'eau peut être utilisée pour refroidir les contenants exposés au feu.

ENVIRONNEMENT

Aucun effet indésirable n'est prévu.

MANUTENTION

Une ventilation générale est recommandée. Évitez le contact avec les yeux.

ENTREPOSAGE

Ne pas entreposer avec des oxydants. Gardez le contenant fermé et entreposé à l'abri de l'eau ou de l'humidité.

8. DIAGNOSTIC DE PANNE

PROBLÈME	CAUSE POSSIBLE	SOLUTION	RÉFÉRENCE PAGE
L'outil de mise en place ne fonctionne pas	Unité de la pompe défectueuse	Vérifiez l'alimentation électrique de la pompe et consultez le guide d'utilisation de l'unité de la pompe	
	Mauvais raccords rapides 10 et 11	Remplacez les raccords rapides	39
	Câble de commande de la gâchette 14 non connecté correctement	Vérifiez si le câble de commande est connecté correctement à la pompe et à l'outil de mise en place	34
La gâchette 7 ne fonctionne pas	Gâchette 7 ou câble de commande 14 endommagé	Remplacez la gâchette et/ou le câble de commande	39
	Pompe en mode local	Consultez le guide d'utilisation de la pompe	
	Gâchette 7 ou câble de commande 14 ou connecteur endommagé	Remplacez la gâchette et/ou le câble de commande	39
La pompe fonctionne, mais l'outil de mise en place ne fonctionne pas	Tuyaux hydrauliques non connectés	Vérifiez si les connexions sont correctes à la pompe et à l'outil de mise en place	34
	Niveau d'huile bas	Assurez-vous que l'outil de mise en place est rempli d'huile et correctement préparé. Consultez le guide d'utilisation de la pompe	34
	Fuite d'huile externe de l'outil de mise en place	Inspectez l'outil de mise en place : remplacez les composants usés ou endommagés	37 - 39
	Fuite d'huile externe de l'assemblage des tuyaux	Inspectez l'assemblage des tuyaux : assurez-vous que les connexions des tuyaux sont serrées et/ou remplacez les connecteurs des tuyaux endommagés	39
	Fuite d'huile interne/externe de la pompe	Consultez le guide d'utilisation de la pompe	
L'outil de mise en place fonctionne de façon erratique	Alimentation de la pression hydraulique basse ou erratique	Consultez le guide d'utilisation de la pompe	
	Joints hydrauliques usés ou endommagés dans l'outil de mise en place	Inspectez l'outil de mise en place : remplacez les joints usés ou endommagés	37 - 39
	Surfaces d'étanchéité usées ou endommagées dans l'outil de mise en place	Inspectez l'outil de mise en place : remplacez les composants usés ou endommagés	37 - 39
	Fuite d'huile interne/externe de la pompe	Consultez le guide d'utilisation de la pompe	
La pompe accumule une pression maximale, mais le bout de la tige ne brise pas	Charge de rupture plus grande que la capacité de l'outil de mise en place à pression maximale	Consultez les caractéristiques de l'outil de mise en place	31
	Flux vers l'outil de mise en place bloqué	Vérifiez les raccords rapides 10 et 11 pour un embrayage complet	34
	Valeur de décharge de la pression de la pompe réglée trop basse	Ajustez les réglages de la soupape de sécurité : consultez le guide d'utilisation de la pompe	
	Raccordez les rainures sur le bout de la tige de la fixation dégarnie	Voir le symptôme à la page 46	35
	Utilisation inappropriée de l'outil		35

PROBLÈME	CAUSE POSSIBLE	SOLUTION	RÉFÉRENCE PAGE
Le piston de l'outil de mise en place 1 ne retourne pas	Flux de retour restreint ou bloqué	Vérifiez les raccords rapides 10 et 11 pour un embrayage complet et/ou une panne	34
	Tuyaux hydrauliques non connectés	Vérifiez si les connexions sont correctes à la pompe et à l'outil de mise en place	34
	Mauvais fonctionnement de la soupape de la pompe	Consultez le guide d'utilisation de la pompe	
	Réglage de la minuterie du retour de la pompe incorrect, réglé trop bas	Ajustez la minuterie de retour aux réglages recommandés : consultez le guide d'utilisation de la pompe	
L'outil de mise en place n'éjecte pas le collet de l'enclume	Soupape de sécurité du retour de la pompe réglé trop bas	Ajustez la soupape de sécurité du retour de la pompe aux bons réglages : consultez le guide d'utilisation de la pompe	
	Alimentation de la pression hydraulique basse ou erratique	Consultez le guide d'utilisation de la pompe	
	Joints hydrauliques usés ou endommagés dans l'outil de mise en place	Inspectez l'outil de mise en place : remplacez les joints usés ou endommagés	37 - 39
	Surfaces d'étanchéité usées ou endommagées dans l'outil de mise en place	Inspectez l'outil de mise en place : remplacez les composantes usées ou endommagées	37 - 39
	Fuite d'huile interne/externe de la pompe	Consultez le guide d'utilisation de la pompe	
	L'utilisateur ne pousse pas complètement l'embout sur le bout de la tige de la fixation avant d'utiliser l'outil	Apprenez à l'utilisateur la bonne méthode d'installation	35
Raccordez les rainures sur le bout de la tige de la fixation dégarnie durant l'installation	Longueur de la fixation / longueur de la poignée incorrecte. Segments de mâchoire usés ou endommagés	Utilisez une fixation correcte. Vérifiez et remplacez l'ensemble des mâchoires : consultez la fiche signalétique de l'équipement de l'embout	35
	Débris dans les segments de mâchoires et les rainures du bout de la tige	Nettoyez les segments de mâchoires : consultez la fiche signalétique de l'équipement de l'embout	
	Écart excessif entre les feuilles	Fermez l'écart entre les feuilles	35
Collet Avdelok® ou Avbolt® non complètement serti Le bout de la tige ne réussit pas à se libérer de l'équipement de l'embout	Utilisation inappropriée de l'outil		35
	Alésage de l'enclume usé	Vérifiez et remplacez l'enclume : consultez la fiche signalétique de l'équipement de l'embout	
	Assemblage incorrect de l'équipement de l'embout	Voir la fiche signalétique de l'équipement d'embout	
L'outil de mise en place et l'huile hydraulique deviennent chauds	Restriction dans la conduite hydraulique	Vérifiez les raccords rapides hydrauliques 10 et 11 et remplacez au besoin	39
	Température ambiante élevée		
Les raccords rapides hydrauliques 10 et 11 ont une fuite d'huile	Joint torique usé dans le corps du raccord rapide mâle 10	Remplacez le joint torique et la bague d'appui dans le raccord rapide 10	39

Tous les numéros **en gras** font référence à l'assemblage général et la liste des pièces dans les pages 40, 41 et 42.

*Nécessaire d'entretien sur la page 36.

9. DÉCLARATION DE CONFORMITÉ CE

Nous, **Stanley Engineered Fastening, Stanley House, Works Road, Letchworth Garden City, Hertfordshire, SG6 1JY UNITED KINGDOM**, déclarons sous notre seule responsabilité que le produit :

Description: **OUTIL HYDROÉLECTRIQUE AV30**

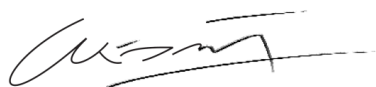
Modèle : **OUTIL POUR CHARPENTE AV30 S – 73434-02000**

auquel cette déclaration est liée, est conforme aux normes harmonisées suivantes :

ISO 12100:2010	EN ISO 3744:2010
EN ISO 11202:2010	EN ISO 11148-1:2011
EN ISO 4413:2010	EN ISO 20643:2008+A1:2012
EN ISO 4414:2010	ES100118-rév. 17:2017
EN ISO 28927-5:2009+A1:2015	

La documentation technique est présentée conformément à l'annexe 1, section 1.7.4.1, conformément à la directive suivante : **2006/42/CE Directive sur les machines** (Instruments statutaires 2008 No 1597 - La fourniture de machines (sécurité) faisant référence à la réglementation).

Le signataire fait cette déclaration au nom de STANLEY Engineered Fastening



A. K. Seewraj

Directeur du génie, Royaume-Uni

Avdel UK Limited, Stanley House, Works Road, Letchworth Garden City, Hertfordshire, SG6 1JY ROYAUME-UNI

Lieu d'émission : **Letchworth Garden City, ROYAUME-UNI**

Date d'émission : **12-12-2011**

Le signataire est responsable de la compilation du fichier technique pour les produits vendus dans l'Union européenne et fait cette déclaration au nom de Stanley Engineered Fastening.

Matthias Appel

Chef d'équipe Documentation technique

Stanley Engineered Fastening, Tucker GmbH, Max-Eyth-Str.1, 35394 Gießen, Allemagne



Cet équipement est conforme aux directive sur l'équipement 2006/42/CE

10. DÉCLARATION DE CONFORMITÉ R-U

Nous, **Stanley Engineered Fastening, Stanley House, Works Road, Letchworth Garden City, Hertfordshire, SG6 1JY UNITED KINGDOM**, déclarons sous notre seule responsabilité que le produit :

Description: OUTIL HYDROÉLECTRIQUE AV30

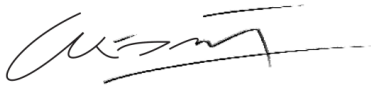
Modèle : OUTIL POUR CHARPENTE AV30 S – 73434-02000

auquel cette déclaration est liée, est conforme aux normes harmonisées suivantes :

ISO 12100:2010	EN ISO 3744:2010
EN ISO 11202:2010	EN ISO 11148-1:2011
EN ISO 4413:2010	EN ISO 20643:2008+A1:2012
EN ISO 4414:2010	ES100118-rév. 17:2017
EN ISO 28927-5:2009+A1:2015	

La documentation technique est compilée conformément aux réglementations sur la Fourniture de machines (sécurité) 2008, S.I. 2008/1597 (et leurs modifications).

Le signataire fait cette déclaration au nom de STANLEY Engineered Fastening



A. K. Seewraj

Directeur du génie, Royaume-Uni

Avdel UK Limited, Stanley House, Works Road, Letchworth Garden City, Hertfordshire,
SG6 1JY ROYAUME-UNI

Lieu d'émission : Letchworth Garden City, ROYAUME-UNI

Date d'émission : 12-12-2011



Cet équipement est conforme aux
réglementations sur la Fourniture de machines (sécurité) 2008,
S.I. 2008/1597 (telle qu'amendée).

11. PROTÉGEZ VOTRE INVESTISSEMENT!

GARANTIE SUR LES OUTILS À RIVETS AVEUGLES Stanley® Engineered Fastening

STANLEY® Engineered Fastening garantit que tous les outils électriques ont été soigneusement fabriqués et qu'ils sont exempts de tout défaut de matériaux et de main-d'œuvre en utilisation normale et l'entretien pendant une période de un (1) an.

Cette garantie s'applique au premier acheteur de l'outil pour l'utilisation originale seulement.

Exclusions :

Usure normale.

L'entretien périodique, les réparations et les pièces de remplacement dus à l'usure normale sont exclus de la couverture.

Abus et mauvaise utilisation.

Une défectuosité ou des dommages résultant d'une utilisation inappropriée, d'entreposage, d'une mauvaise utilisation, d'un abus ou d'une négligence, comme des dommages physiques sont exclus de la couverture.

Service ou modification non autorisé.

Les défectuosités ou les dommages résultant d'un service, d'un ajustement de test, d'une installation, d'un entretien, d'une altération ou d'une modification de quelque façon et par quiconque autre STANLEY® Engineered Fastening ou ses centres de services autorisés, sont exclus de la couverture.

Toutes les autres garanties, qu'elles soient expresses ou implicites, incluant toute garantie de qualité marchande et d'adaptation sont par la présente exclues.

Si cet outil ne respecte pas la garantie, retournez rapidement l'outil à l'emplacement du centre de services autorisés le plus près. Pour une liste des centres de services autorisés STANLEY® Engineered Fastening aux États-Unis ou au Canada, contactez-nous à notre ligne sans frais au (877) 364-2781.

À l'extérieur des États-Unis et du Canada, visitez notre site Web **www.StanleyEngineeredFastening.com** pour trouver votre emplacement STANLEY Engineered Fastening le plus près.

STANLEY Engineered Fastening remplacera alors, sans aucuns frais, une ou des pièces trouvées par nous comme étant défectueuses en raison d'un défaut de fabrication et matériau ou de main-d'œuvre et retournera l'outil prépayé. Cela représente notre seule obligation sous cette garantie.

En aucun cas STANLEY Engineered Fastening ne sera tenu responsable de tout dommage consécutif ou spécial découlant de l'achat ou de l'utilisation de cet outil.

Enregistrez votre outil de rivets aveugles en ligne.

Pour enregistrer votre garantie en ligne, consultez notre site
<https://www.stanleyengineeredfastening.com/support/warranty-registration-form>

Merci d'avoir choisi un outil de la marque Stanley Assembly Technologies de STANLEY® Engineered Fastening.

©2019 STANLEY Black & Decker Todos los derechos reservados.

La información proporcionada no puede ser reproducida y/o hecha pública de ninguna manera y por ningún medio (electrónico o mecánico) sin el permiso explícito y por escrito previo de STANLEY Engineered Fastening. La información proporcionada se basa en los datos conocidos en el momento de la introducción de este producto. STANLEY Engineered Fastening sigue una política de mejora continua del producto y, por lo tanto, los productos pueden estar sujetos a cambios. La información proporcionada es aplicable al producto tal como lo entrega STANLEY Engineered Fastening. Por lo tanto, STANLEY Engineered Fastening no se responsabiliza por ningún daño que resulte de desviaciones de las especificaciones originales del producto.

La información disponible se redactó con el mayor cuidado. Sin embargo, STANLEY Engineered Fastening no aceptará ninguna responsabilidad con respecto a cualquier falta en la información ni por las consecuencias de la misma. STANLEY Engineered Fastening no aceptará ninguna responsabilidad por daños resultantes de actividades realizadas por terceros. Los nombres de trabajo, nombres comerciales, marcas registradas, etc. utilizados por STANLEY Engineered Fastening no deben considerarse como gratuitos, de conformidad con la legislación con respecto a la protección de marcas comerciales.

CONTENIDO

1. DEFINICIONES DE SEGURIDAD	52
1.1 REGLAS GENERALES DE SEGURIDAD	52
1.2 RIESGOS DE PROYECTILES	52
1.3 PELIGROS DE OPERACIÓN	53
1.4 RIESGOS DE MOVIMIENTOS REPETITIVOS	53
1.5 RIESGOS DE ACCESORIOS	53
1.6 RIESGOS DEL LUGAR DE TRABAJO	53
1.7 RIESGOS DE RUIDO	54
1.8 RIESGOS DE VIBRACIÓN	54
1.9 INSTRUCCIONES ADICIONALES DE SEGURIDAD PARA HERRAMIENTAS ELECTROHIDRÁULICAS	54
2. ESPECIFICACIONES	56
2.1 INTENCIÓN DE USO	56
2.2 ESPECIFICACIÓN DE HERRAMIENTA	56
2.3 DIMENSIONES DE HERRAMIENTA	57
3. PUESTA EN SERVICIO	58
3.1 PRINCIPIO DE OPERACIÓN	58
3.2 PREPARACIÓN PARA USO	59
4. INSTRUCCIONES DE OPERACIÓN	60
4.1 PARA INSTALAR UN SUJETADOR AVBOLT®	60
4.2 PARA INSTALAR UN SUJETADOR AVDELOK® XT	60
5. SERVICIO DE HERRAMIENTA	61
5.1 SERVICIO DIARIO	61
5.2 SERVICIO SEMANAL	61
5.3 SERVICIO ANUAL / CADA 150K OPERACIONES	61
5.4 JUEGO DE SERVICIO	61
5.5 HERRAMIENTAS DE SERVICIO	61
5.6 ACEITE HIDRÁULICO	61
5.7 INSTRUCCIONES DE DESMANTELAMIENTO	62
5.8 PROTECCIÓN DEL AMBIENTE	65
6. ENSAMBLE GENERAL Y LISTA DE PARTES	66
6.1 ENSAMBLE GENERAL	66
6.2 LISTA DE PARTES	68
7. DATOS DE SEGURIDAD	69
7.1 ACEITE HIDRÁULICO ENERPACE® HF - DATOS DE SEGURIDAD	69
7.2 GRASA DE MOLIBDENO EP 3753 - DATOS DE SEGURIDAD	69
7.3 GRASA MOLYKOTE® 111 - DATOS DE SEGURIDAD	70
8. DIAGNÓSTICO DE FALLA	71
9. DECLARACIÓN DE CONFORMIDAD EC	73
10. DECLARACIÓN DE CONFORMIDAD DEL REINO UNIDO	74
11. ¡PROTEJA SU INVERSIÓN!	75



Cualquier persona que instale u opere esta herramienta debe leer este manual de instrucciones, prestando especial atención a las siguientes advertencias e instrucciones de seguridad.



Siempre use protección ocular resistente a impactos durante el funcionamiento de la herramienta. El grado de protección requerido debe evaluarse para cada uso.



El uso de la herramienta puede exponer las manos del operador a riesgos, incluyendo aplastamiento, impacto, cortes, abrasiones y calor. Use guantes adecuados para protegerse las manos.



Use protección auditiva de acuerdo con las instrucciones del empleador y conforme lo exijan las normas de seguridad y salud ocupacional.

1. DEFINICIONES DE SEGURIDAD

Las siguientes definiciones describen la severidad para cada palabra de señal. Por favor lea el manual y ponga atención a estos símbolos.



PELIGRO: Indica una situación de peligro inminente que, si no se evita, causará la muerte o lesiones graves.



ADVERTENCIA: Indica una situación potencialmente peligrosa que, de no evitarse, podría causar la muerte o lesiones graves.



PRECAUCIÓN: Indica una situación potencialmente peligrosa que, si no se evita, puede resultar en lesiones menores o moderadas.



PRECAUCIÓN: Usado sin el símbolo de alerta de seguridad indica una situación potencialmente peligrosa que, si no se evita, puede resultar en daño a la propiedad.

La operación o el mantenimiento incorrectos de este producto podrían provocar lesiones graves y daños materiales. Lea y comprenda todas las advertencias e instrucciones de funcionamiento antes de usar este equipo. Cuando use herramientas eléctricas, siempre se deben seguir las precauciones básicas de seguridad para reducir el riesgo de lesiones personales.

GUARDE TODAS LAS ADVERTENCIAS E INSTRUCCIONES PARA REFERENCIA FUTURA.

1.1 REGLAS GENERALES DE SEGURIDAD

- Para riesgos múltiples, lea y comprenda las instrucciones de seguridad antes de instalar, operar, reparar, mantener, cambiar accesorios o trabajar cerca de la herramienta. De lo contrario, puede provocar lesiones corporales graves.
- Sólo operadores calificados y capacitados deben instalar, ajustar o usar la herramienta.
- NO la use fuera de la intención de diseño de colocar remaches ciegos de STANLEY Engineered Fastening.
- Use sólo partes, sujetadores y accesorios recomendados por el fabricante.
- NO modifique la herramienta. Las modificaciones pueden reducir la efectividad de las medidas de seguridad y aumentar los riesgos para el operador. Cualquier modificación a la herramienta realizada por el cliente será bajo su completa responsabilidad y anulará cualquier garantía aplicable.
- No deseche las instrucciones de seguridad; proporciónelas al operador.
- No use la herramienta si se ha dañado.
- Antes de usar, verifique la desalineación o atascamiento de las partes móviles, la ruptura de partes y cualquier otra condición que afecte la operación de la herramienta. Si está dañada, pida que reparen la herramienta antes de usarla. Retire cualquier llave de ajuste o llave inglesa antes de usar.
- Las herramientas se deberán revisar periódicamente para verificar que las clasificaciones y marcas requeridas por esta parte de ISO 11148 estén marcadas de manera legible en la herramienta. El empleador/usuario deberá ponerse en contacto con el fabricante para obtener etiquetas de marcado de reemplazo cuando sea necesario.
- La herramienta debe mantenerse en condiciones de trabajo seguras en todo momento y se debe revisar en intervalos regulares respecto a daños y funcionamiento por parte de personal capacitado. Cualquier procedimiento de desmantelamiento será realizado sólo por personal capacitado. No desmonte esta herramienta sin referencia previa a las instrucciones de mantenimiento.

1.2 RIESGOS DE PROYECTILES

- Desconecte la herramienta de la unidad de bomba hidráulica antes de realizar cualquier mantenimiento, intentar ajustar, adaptar o retirar un ensamble de punta o accesorios.

- Tenga en cuenta que la falla de la pieza de trabajo o accesorios, o incluso de la herramienta insertada en sí, puede generar proyectiles de alta velocidad.
- Siempre use protección ocular resistente a impactos durante el funcionamiento de la herramienta. El grado de protección requerido debe evaluarse para cada uso.
- Los riesgos para otras personas también deben evaluarse en este momento.
- Asegúrese que la pieza de trabajo esté fija de forma segura.
- Verifique que los medios de protección contra la expulsión del sujetador y/o el mandril estén en su lugar y sean operativos.
- Advierta contra la posible expulsión forzada de mandriles desde el frente de la herramienta.
- NO opere una herramienta que esté dirigida hacia ninguna persona(s).

1.3 PELIGROS DE OPERACIÓN

- El uso de la herramienta puede exponer las manos del operador a riesgos, incluyendo aplastamiento, impacto, cortes, abrasiones y calor. Use guantes adecuados para protegerse las manos.
- Los operadores y el personal de mantenimiento deberán ser físicamente capaces de manejar el volumen, el peso y la potencia de la herramienta.
- Sostenga la herramienta correctamente; esté preparado para contrarrestar los movimientos normales o repentinos y tenga ambas manos disponibles.
- Mantenga las manijas de la herramienta secas, limpias y libres de aceite y grasa.
- Mantenga una posición equilibrada del cuerpo y una posición segura cuando opere la herramienta.
- Libere el dispositivo de arranque y paro en caso de una interrupción del suministro hidráulico.
- Use sólo lubricantes recomendados por el fabricante.
- Debe evitarse el contacto con el fluido hidráulico. Para minimizar la posibilidad de irritación cutánea, se debe tener cuidado de lavar minuciosamente si se produce el contacto.
- Las hojas de datos de seguridad de materiales para todos los aceites y lubricantes hidráulicos están disponibles por solicitud en su proveedor de herramientas.
- Evite posturas inadecuadas ya que es probable que estas posiciones no permitan contrarrestar el movimiento normal o inesperado de la herramienta.
- Si la herramienta se fija a un dispositivo de suspensión, asegúrese que la fijación sea segura.
- Tenga cuidado con el riesgo de aplastamiento o pellizcarse si el equipo de punta no está instalado.
- NO opere la herramienta con la carcasa de la punta retirada.
- Se requiere un espacio libre adecuado para las manos del operador de la herramienta antes de continuar.
- Cuando transporte la herramienta de un lugar a otro, mantenga las manos alejadas del gatillo para evitar la activación accidental.
- NO maltrate la herramienta dejándola caer o usándola como un martillo.
- Se debe tener cuidado para garantizar que los mandriles gastados no creen un peligro.

1.4 RIESGOS DE MOVIMIENTOS REPETITIVOS

- Al usar la herramienta, el operador puede experimentar molestias en las manos, brazos, hombros, cuello u otras partes del cuerpo.
- Mientras usa la herramienta, el operador debe adoptar una postura cómoda mientras mantiene una posición segura y evita posturas incómodas o desequilibradas. El operador debe cambiar la postura durante las tareas extendidas; esto puede ayudar a evitar molestias y fatiga.
- Si el operador experimenta síntomas como molestias persistentes o recurrentes, dolor, latidos, dolor, hormigueo, entumecimiento, sensación de ardor o rigidez, estas señales de advertencia no deben ignorarse. El operador debe informar al empleador y consultar a un profesional de la salud calificado.

1.5 RIESGOS DE ACCESORIOS

- Desconecte la herramienta del suministro hidráulico y eléctrico antes de instalar o retirar el ensamble de punta o accesorio.
- Use sólo tamaños y tipos de accesorios y consumibles recomendados por el fabricante de la herramienta; no use otros tipos o tamaños de accesorios o consumibles.

1.6 RIESGOS DEL LUGAR DE TRABAJO

- Los resbalones, tropiezos y caídas son las principales causas de lesiones en el lugar de trabajo. Tenga en cuenta las superficies resbaladizas causadas por el uso de la herramienta y también los riesgos de tropiezos causados por la línea de aire o la manguera hidráulica.

- Continúe con cuidado en ambientes con los que no esté familiarizado. Puede haber riesgos ocultos, como electricidad u otras líneas de servicios públicos.
- La herramienta no está diseñada para usarse en atmósferas potencialmente explosivas y no está aislada contra el contacto con la energía eléctrica.
- Asegúrese que no haya cables eléctricos, tuberías de gas, etc., que puedan causar un peligro si se dañan con el uso de la herramienta.
- Vístase adecuadamente. No use ropa suelta o joyería. Mantenga su cabello, ropa y guantes lejos de las partes móviles. La ropa suelta, joyería o el cabello largo pueden quedar atrapados en las partes móviles.
- Se debe tener cuidado para garantizar que los mandriles gastados no creen un peligro.

1.7 RIESGOS DE RUIDO

- La exposición a altos niveles de ruido puede causar pérdida auditiva permanente e incapacitante y otros problemas, como tinnitus (ruido de timbre, zumbidos, silbidos o resonación en los oídos). Por lo tanto, la evaluación de riesgos y la implementación de controles apropiados para estos peligros son esenciales.
- Los controles apropiados para reducir el riesgo pueden incluir acciones tales como materiales de amortiguamiento para evitar que las piezas de trabajo "resuenen".
- Use protección auditiva de acuerdo con las instrucciones del empleador y conforme lo exijan las normas de seguridad y salud ocupacional.
- Opere y mantenga la herramienta como se recomienda en el manual de instrucciones, para evitar un aumento innecesario en el nivel de ruido.

1.8 RIESGOS DE VIBRACIÓN

- La exposición a la vibración puede causar daños incapacitantes en los nervios y el suministro de sangre de las manos y los brazos.
- Utilice ropa abrigada cuando trabaje en condiciones frías y mantenga sus manos calientes y secas.
- Si experimenta entumecimiento, hormigueo, dolor o blanqueamiento de la piel en sus dedos o manos, deje de usar la herramienta, informe a su empleador y consulte a un médico.
- Siempre que sea posible, soporte el peso de la herramienta en un soporte, tensor o equilibrador, ya que se puede utilizar un agarre más ligero para sostener la herramienta.

1.9 INSTRUCCIONES ADICIONALES DE SEGURIDAD PARA HERRAMIENTAS ELECTROHIDRÁULICAS

- El suministro hidráulico operativo no debe exceder los 550 bar (8000 PSI).
- El aceite bajo presión puede causar lesiones graves.
- No instale mangueras hidráulicas flexibles con una presión de trabajo de menos de 700 bar (10,000 PSI) en un caudal de 2.73 l/min (200 pulg 3/min).
- Nunca deje la herramienta de operación desatendida. Desconecte la manguera hidráulica y el cable eléctrico de la unidad de la bomba cuando la herramienta no esté en uso, antes de cambiar los accesorios o al realizar reparaciones.
- Las mangueras que se agitan puede causar lesiones graves. Siempre verifique si hay mangueras y accesorios dañados o sueltos.
- Antes del uso, revise las mangueras hidráulicas respecto a daño, todas las conexiones hidráulicas deben estar limpias, completamente conectadas y apretadas antes de la operación. No deje caer objetos pesados sobre las mangueras. Un impacto fuerte puede causar daños internos y provocar fallas prematuras en la manguera.
- Siempre que se utilicen acoplamientos de torsión universales (acoplamientos de garras), se instalarán pasadores de seguridad y se utilizarán cables de seguridad de protección contra latigazos para proteger contra posibles fallas de conexión de manguera a herramienta o de manguera a manguera.
- NO levante la herramienta de colocación por la manguera o el cable eléctrico. Siempre utilice la manija de la herramienta de colocación.
- NO jale ni mueva la unidad de bomba hidráulica con las mangueras. Utilice siempre la manija de la unidad de bomba o la jaula antivuelco.
- Mantenga la suciedad y materia extraña fuera del sistema hidráulico de la herramienta, ya que esto hará que la herramienta no funcione correctamente.
- Sólo use aceite y equipo de llenado limpios.
- Sólo se pueden usar fluidos hidráulicos recomendados.
- Las unidades hidráulicas requieren un flujo de aire libre para propósitos de enfriamiento y, por lo tanto, deben colocarse en un área bien ventilada y libre de humos peligrosos.

- La temperatura máxima del fluido hidráulico en la entrada es 110°C (230°F).

La política de STANLEY Engineered Fastening es la mejora y desarrollo continuo del producto y nos reservamos el derecho de cambiar las especificaciones de cualquier producto sin previo aviso.

2. ESPECIFICACIONES

2.1 INTENCIÓN DE USO

La Herramienta de instalación AV™ 30 es principalmente un ensamble de pistón y cilindro. Cuando se acopla hidráulica y eléctricamente a una fuente de energía hidráulica compatible y se coloca el ensamble de punta correspondiente, se utiliza para instalar Avbolt® de 1/2" a 5/8" y Avdelok® XT de 1/2" a 3/4" en entornos Industriales.

La herramienta de colocación y la unidad de bomba hidráulica sólo se pueden usar de acuerdo con las instrucciones de operación para colocar remaches estructurales Stanley Engineered Fastening.

Consulte la tabla a continuación para ver la lista de sujetadores aplicables y el equipo de punta relacionado. Consulte las hojas de datos enumeradas en la tabla para obtener las instrucciones de ensamblaje de nariz relevantes.

NO lo use en condiciones húmedas o en presencia de líquidos o gases inflamables.

SUJETADOR		ENSAMBLE DE PUNTA			ENSAMBLE DE PUNTA HOJA DE DATOS
TIPO	TAMAÑO	NÚMERO DE PARTE	DIM. 'A'	DIM. 'B'	NÚMERO DE PARTE
AVBOLT®	1/2"	73412-03600	113 mm	43 mm	07900-00905
	5/8"	73412-03400	113 mm	52 mm	07900-00905
AVDELOK® XT	1/2"	73412-03100	113 mm	43 mm	07900-00919
	5/8"	73412-03200	115 mm	48 mm	07900-00919
	3/4"	73412-03300	134 mm	56 mm	07900-00919

*Ensamble de punta con liberación de mordaza.

Consulte la ilustración en la página 57 para identificar las dimensiones del ensamble de punta "A" y "B".

Las instrucciones de seguridad deben seguirse en todo momento.

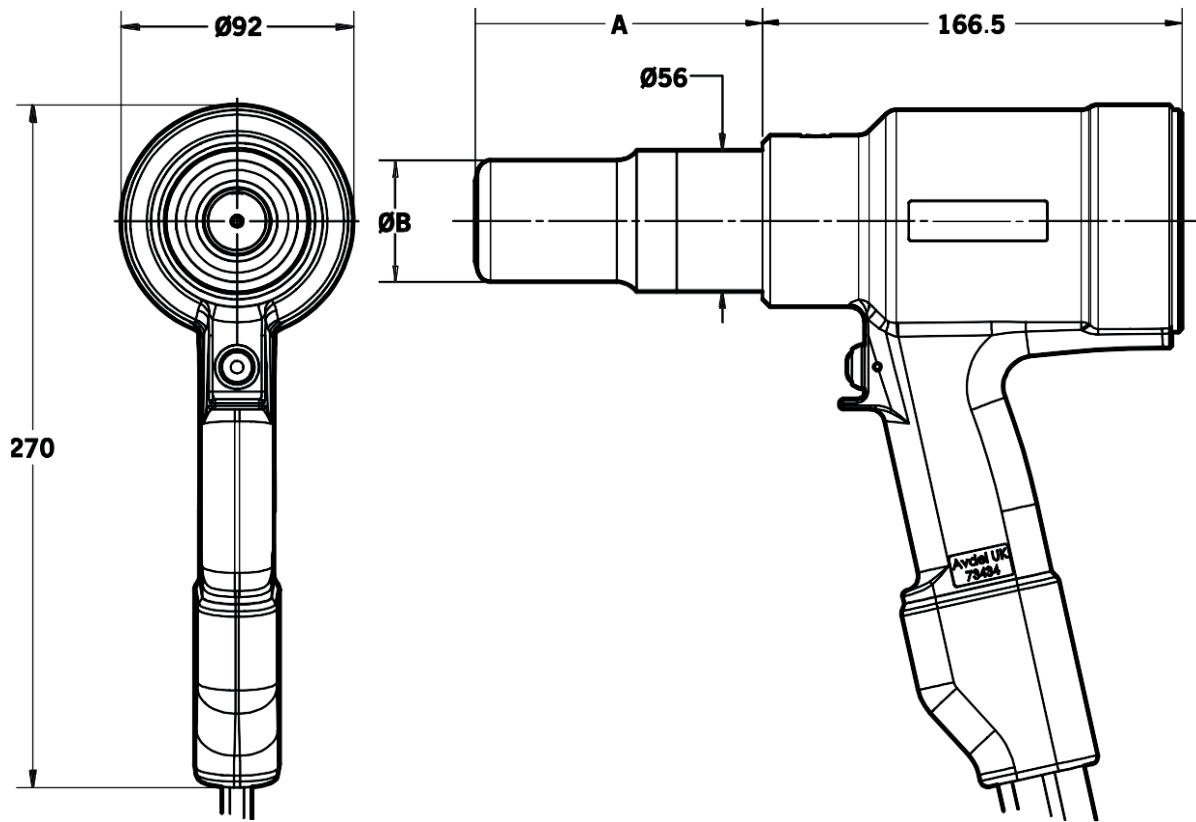
2.2 ESPECIFICACIÓN DE HERRAMIENTA

ESPECIFICACIÓN		MÉTRICA	IMPERIAL
Fuerza:	Tracción en presión de tracción indicada	175.0 kN	39341.0 lbf
	Empuje en presión de retorno indicada	80.0 kN	17985.0 lbf
Presión:	Tracción	510 bar	7397 PSI
	Retorno	200 bar	2901 PSI
Carrera:	Carrera de pistón	41.0 mm	1.61 pulg
Peso:	Sin equipo de punta	6.9 kg	15.3 lb
Aceite hidráulico:	Aceite hidráulico Enerpac® – HF-95X		
Rango de Producto:	Avbolt®	12.7 a 15.9 mm	1/2 a 5/8 pulg
	Avdelok® XT	12.7 a 19.1 mm	1/2 a 3/4 pulg
Características adicionales:	Expulsión de vástago – Delantera o trasera	Delantero	
	Arreglo de sello	Sellos de labio y limpiador	
	Anillos de cojinete hidráulico	Sí – Delantero	
	Manija de protección / Caimán de manguera	Sí	
	Protección de manguera protectora	Sí	
	Abrazaderas de retención de manguera / cable	Sí	

Valores de ruido determinados de acuerdo con el código de prueba de ruido ISO 15744 e ISO 3744.		AV30
Nivel de potencia de sonido ponderado A dB(A), L_{WA}	Ruido de incertidumbre: $k_{WA} = 3.0$ dB(A)	94.3 dB(A)
Nivel de presión de sonido de emisión ponderado A en la estación de trabajo dB(A), L_{pA}	Ruido de incertidumbre: $k_{pA} = 3.0$ dB(A)	83.3 dB(A)
Nivel de presión de sonido de emisión pico ponderado C dB(C), L_{pC} pico	Ruido de incertidumbre: $k_{pC} = 3.0$ dB(C)	128.1 dB(C)

Valores de vibración determinados de acuerdo con el código de prueba de vibración ISO 20643 e ISO 5349.		AV30
Nivel de emisión de vibración, a_{hd} :	Vibración de incertidumbre: $k = 0.48$ m/s ²	0.952 m/s ²
Valores de emisión de vibración declarados de acuerdo con EN 12096		

2.3 DIMENSIONES DE HERRAMIENTA



Todas las dimensiones se muestran en milímetros.

Consulte la tabla en la página 56 para identificar las dimensiones del ensamble de punta 'A' y 'B'.

La herramienta está equipada con dos Mangueras hidráulicas y un cable de control eléctrico, de 0.6m de longitud. Longitudes de manguera hidráulica y extensión de cable adicionales están disponibles para ordenar por separado conforme sea necesario. Consulte la tabla a continuación para conocer las longitudes de ensamble de manguera disponibles y los números de pieza asociados.

ENSAMBLE DE MANGUERA HIDRÁULICA	
NÚMERO DE PARTE	LONGITUD DE MANGUERA
07008-00448	5 Metros
07008-00449	10 Metros
07008-00450	15 Metros

3. PUESTA EN SERVICIO

3.1 PRINCIPIO DE OPERACIÓN

IMPORTANTE - LEA LAS REGLAS DE SEGURIDAD EN LAS PÁGINAS 52 – 55 Y EL MANUAL DE INSTRUCCIONES DE LA UNIDAD DE BOMBA CUIDADOSAMENTE ANTES DE PONER EN SERVICIO.

Cuando tanto las mangueras como el cable de control están conectados a la unidad de bomba hidráulica Avdel® / Enerpac®, los ciclos de extracción y retorno de la herramienta se controlan presionando y soltando el gatillo ubicado en la manija.

Cuando se presiona el interruptor, la válvula solenoide, ubicada en la unidad de bomba hidráulica, se energiza y dirige el flujo de aceite a presión hacia el lado de extracción del pistón en la herramienta de colocación. Esto también permite que el aceite en el lado de retorno de la herramienta de colocación regrese al depósito.

Durante los ciclos de extracción, el ensamble de pistón/collarín se mueve hacia la parte posterior de la herramienta, lo que permite que el cojín de tipo de anillo O empuje el seguidor y las mordazas hacia adelante. Si se ha insertado un pasador de fijación en el ensamble de punta, el juego de mordazas se sujetará a la cola de pato y comenzará el ensamble.

Para Avbolt® y Avdelok® XT, el ciclo de instalación primero sujetará la articulación a sujetar y luego, a medida que el yunque continúe avanzando, el collar se estampará en las ranuras de bloqueo del pasador. Al final del ciclo de estampado, el yunque se topará con la articulación y, a medida que continúe el movimiento, se romperá la cola de pato.

El interruptor de gatillo debe soltarse inmediatamente después de que se rompa el pasador. Al soltar el interruptor del gatillo, el solenoide se desenergiza y revierte el flujo de aceite presurizado.

Si no se suelta el gatillo, el pistón de la herramienta de colocación continuará moviéndose hacia la parte posterior de la herramienta hasta que llegue al final de su carrera. La presión en el lado de tracción aumentará hasta que se alcance un valor predeterminado de 'Alta presión' en la bomba. En este punto, la válvula solenoide desenergizará e invertirá automáticamente el flujo de aceite presurizado hacia el lado de retorno de la herramienta de colocación.

En cualquier caso, el aceite presurizado fluirá ahora hacia el lado de retorno de la herramienta de colocación, y el aceite en el lado de extracción volverá al depósito.

El movimiento hacia adelante del ensamble de pistón/collar expulsará el sujetador instalado del yunque.

En el punto de soltar el gatillo o cuando se alcanza el valor de 'Alta presión', la válvula solenoide se desactivará y activará un 'Temporizador de retorno' preestablecido. Esto controla el tiempo que el motor de la bomba continuará funcionando antes de cambiar al modo inactivo. El temporizador se puede configurar manualmente entre 5 y 20 segundos para garantizar que el pistón de la herramienta de colocación siempre regrese completamente a la posición delantera (consulte el manual de la bomba 07900-01030, páginas 10 y 13).

Cuando el pistón vuelve a la posición completamente hacia adelante, la presión aumentará hasta el valor predeterminado de baja presión - c200bar. El motor de la bomba continuará funcionando hasta que el temporizador de retorno haya expirado. Después de este período de tiempo, el motor se detendrá automáticamente y la válvula cambiará a la posición inactiva. La válvula solenoide cambiará automáticamente para liberar aceite presurizado al depósito desde el lado de extracción y de retorno de la herramienta de colocación.

Esto mantiene la herramienta de instalación en la posición hacia adelante. No habrá presión en el sistema hidráulico en este punto.

La unidad de bomba hidráulica arrancará automáticamente al presionar el interruptor de gatillo de la herramienta.

3.2 PREPARACIÓN PARA USO

PRECAUCIÓN - LAS PRESIONES CORRECTAS DE EXTRACCIÓN Y RETORNO SON IMPORTANTES PARA EL CORRECTO FUNCIONAMIENTO DE LA HERRAMIENTA DE INSTALACIÓN. SE PUEDEN PRODUCIR LESIONES PERSONALES O DAÑOS AL EQUIPO SIN LAS PRESIONES CORRECTAS. LAS PRESIONES DE EXTRACCIÓN Y RETORNO SUMINISTRADAS POR LA UNIDAD DE BOMBA HIDRÁULICA NO DEBEN EXCEDER LAS PRESIONES INDICADAS EN LA ESPECIFICACIÓN DE LA HERRAMIENTA DE COLOCACIÓN.

IMPORTANTE – ANTES DE PONER EN SERVICIO LA HERRAMIENTA Y EL JUEGO DE MANGUERAS HIDRÁULICAS:

ASEGÚRESE QUE LAS VÁLVULAS DE ALIVIO DE PRESIÓN DE LA BOMBA SE HAYAN CONFIGURADO DE ACUERDO CON LAS INSTRUCCIONES DE LA BOMBA Y LAS PRESIONES MÁXIMAS ESPECIFICADAS PARA LA HERRAMIENTA DE COLOCACIÓN Y LAS MANGUERAS.

ASEGÚRESE QUE EL JUEGO DE MANGUERA ESTÉ CEBADO CON FLUIDO HIDRÁULICO DE ACUERDO CON EL PROCEDIMIENTO DEL MANUAL DE INSTRUCCIONES DE LA BOMBA 07900-01030.

- Asegúrese que la fuente de alimentación de la unidad de bomba hidráulica esté apagada.
- Conecte los acopladores rápidos de la manguera hidráulica de la herramienta de colocación directamente a la unidad de la bomba antes de conectar el cable de control eléctrico. Las mangueras y el cable de control deben conectarse en este orden y desconectarse en orden inverso.
- Encienda el suministro de red a la unidad de bomba hidráulica. Espere 5 segundos para que la unidad de bomba complete la secuencia de arranque, antes de presionar el interruptor de gatillo. Cuando todo esté configurado, la pantalla LCD de la unidad de la bomba mostrará "AVDEL".
- Durante la secuencia de arranque, el sistema de control de la bomba identifica cualquier operación de disparo como una posible falla y evita que el motor arranque. La pantalla LCD mostrará "BUTTON FAULT" (Falla de botón) en este caso. Restablezca apagando la fuente de alimentación durante 10 segundos.
- Asegúrese que la herramienta de colocación esté colocada debajo de los tanques de depósito de la bomba. Presione y libere el interruptor de gatillo de la herramienta de colocación varias veces hasta casi la carrera completa de la herramienta para hacer circular el fluido hidráulico y expulsar el aire de la herramienta.
- Observe la acción de la herramienta. Verifique si hay fugas de fluido y asegúrese que en el modo inactivo el pistón esté en la posición completamente hacia adelante. La herramienta de colocación ahora estará cebada.
- Desconecte la fuente de alimentación de la unidad de bomba hidráulica y luego desconecte la herramienta de colocación de la unidad de bomba en orden inverso al descrito anteriormente.
- Ahora conecte la herramienta de colocación al juego de manguera hidráulica cebada y al cable de control eléctrico. A continuación conecte los acopladores rápidos del juego de manguera hidráulica y el cable de control eléctrico a la unidad de la bomba.
- Conecte el ensamble de punta a la herramienta conforme a las instrucciones en la hoja de datos del ensamble de punta correspondiente.
- Encienda el suministro de red a la unidad de bomba hidráulica como se describe anteriormente.
- Presione y suelte el interruptor de gatillo de la herramienta de colocación varias veces hasta casi la carrera completa de la herramienta para hacer circular el fluido hidráulico.
- La herramienta de colocación ahora está lista para usar.

4. INSTRUCCIONES DE OPERACIÓN

4.1 PARA INSTALAR UN SUJETADOR AVBOLT®

- Verifique el trabajo y elimine el espacio excesivo. (El claro es el espacio entre los componentes de la articulación. La separación es excesiva si no se atraviesan suficientes colas de pato a través del collar para que las mordazas del ensamble de punta se sujeten).
- Coloque el sujetador Avbolt® en el orificio.
- Empuje el ensamble de punta sobre el pasador hasta que el yunque del conjunto de la nariz se detenga contra el collar. El ensamble de herramienta y punta debe mantenerse en ángulo recto (90 °) con respecto al trabajo.
- Presione el interruptor de gatillo de la herramienta para iniciar el ciclo de instalación.
- Cuando el movimiento hacia adelante del yunque del ensamble de punta se detiene y la cola de pato se rompe, suelte el gatillo. La herramienta entrará en su carrera de retorno y empujará el sujetador instalado. Al final de la carrera de retorno, las mordazas liberarán parcialmente la cola gastada que se puede quitar inclinando la punta de la herramienta hacia abajo.
- Una vez que se ha expulsado el sujetador instalado, el ensamble de herramienta y punta está listo para la próxima instalación.

4.2 PARA INSTALAR UN SUJETADOR AVDELOK® XT

- Verifique el trabajo y elimine el espacio excesivo. (El claro es el espacio entre los componentes de la articulación. La separación es excesiva si no se atraviesan suficientes colas de pato a través del collar para que las mordazas del ensamble de punta se sujeten).
- Coloque el sujetador Avdelok® XT en el orificio.
- Deslice el collar Avdelok® XT sobre el pasador. (El extremo biselado del collar debe estar hacia el ensamble de punta y la herramienta.)
- Empuje el ensamble de punta sobre el pasador hasta que el yunque del conjunto de la nariz se detenga contra el collar. El ensamble de herramienta y punta debe mantenerse en ángulo recto (90 °) con respecto al trabajo.
- Presione el interruptor de gatillo de la herramienta para iniciar el ciclo de instalación.
- Cuando el movimiento hacia adelante del yunque del ensamble de punta se detiene y la cola de pato se rompe, suelte el gatillo. La herramienta entrará en su carrera de retorno y empujará el sujetador instalado. Al final de la carrera de retorno, las mordazas liberarán parcialmente la cola gastada que se puede quitar inclinando la punta de la herramienta hacia abajo.
- Una vez que se expulsa el sujetador instalado, el ensamble de herramienta y punta está listo para la próxima instalación.

PRECAUCIÓN - NO INTENTE ROMPER UNA COLA DE PATO SIN LA INSTALACIÓN DE UN COLLAR YA QUE ESTO CAUSARÁ QUE LA PORCIÓN NO ASEGURADA DE LA COLA DE PATO AVDELOK® O AVBOLT® SE EXPULSE DE LA PUNTA A ALTA VELOCIDAD Y FUERZA.

5. SERVICIO DE HERRAMIENTA

IMPORTANTE - LEA LAS INSTRUCCIONES DE SEGURIDAD EN LAS PÁGINAS 52 - 55. EL EMPLEADOR ES RESPONSABLE DE GARANTIZAR QUE LAS INSTRUCCIONES DE MANTENIMIENTO DE LA HERRAMIENTA SE PROPORCIONEN AL PERSONAL APROPIADO. EL OPERADOR NO DEBE PARTICIPAR EN EL MANTENIMIENTO O REPARACIÓN DE LA HERRAMIENTA A MENOS QUE ESTÉ DEBIDAMENTE CAPACITADO. LA HERRAMIENTA SE DEBERÁ EXAMINAR REGULARMENTE RESPECTO A DAÑO Y FALLAS.

5.1 SERVICIO DIARIO

- Revise la herramienta de colocación, mangueras y acopladores rápidos para detectar fugas de aceite.
- Las mangueras y acoplamientos desgastados o dañados deben reemplazarse.
- Verifique que la carrera de la herramienta cumpla con las especificaciones.
- Verifique que el deflector del vástago esté instalado.
- Verifique que la válvula de alivio de presión de extracción/avance de la bomba funciona correctamente.
- Verifique el yunque desgastado indicado por las marcas de puntuación en el collar instalado. Esto también se puede confirmar haciendo referencia a los datos instalados en el catálogo de sujetadores. El desgaste excesivo puede causar la ruptura del yunque.

5.2 SERVICIO SEMANAL

- Desmontar y limpiar el ensamble de punta, especialmente las mordazas, tal como se describe en la hoja de datos del ensamble de punta correspondiente.
- Verifique si hay fugas de aceite en la herramienta de colocación, mangueras y acopladores rápidos

PRECAUCIÓN – Nunca use solventes u otros productos químicos fuertes para limpiar las partes no metálicas de la herramienta. Estos productos químicos pueden debilitar los materiales utilizados en estas partes.

5.3 SERVICIO ANUAL / CADA 150K OPERACIONES

- Cada 150,000 ciclos la herramienta debe desensamblarse por completo y los componentes nuevos deben usarse cuando se encuentren componentes desgastados, dañados o conforme lo recomendado. Todas los anillos O, anillos de respaldo y sellos deben renovarse y lubricarse con grasa MolyKote® 111 antes del ensamble.

5.4 JUEGO DE SERVICIO

Para un servicio completo, está disponible el siguiente juego de servicio:

JUEGO DE SERVICIO: 73432-99990			
NÚMERO DE PARTE	DESCRIPCIÓN	NÚMERO DE PARTE	DESCRIPCIÓN
07005-10118	Acoplador rápido - Macho	07900-00972	Varilla guía de sello delantero AV30
07005-10120	Acoplador rápido - Hembra	07900-00963	Camisa guía de pistón AV30
07900-00958	Cuerpo de herramienta de tapa de extremo	07992-00020	Grasa – Litio Molibdeno EP3753
07900-00969	Camisa de sello de pistón AV30	07900-00755	Grasa – Molykote® 111
07900-00970	Émbolo de sello de pistón AV30	07900-00756	Sellador de rosca Loctite® 243
07900-00971	Bala de pistón AV30 - Delantera		

5.5 HERRAMIENTAS DE SERVICIO

También se requieren las siguientes herramientas estándar:

- Llave Allen: 2.0 / 3.0 mm
- Llave hidráulica plana de extremo abierto: 12 / 14 / 18 / 24 / 45 mm A/F
- Cinta PTFE: 10 mm
- Prensa de ingeniero con protecciones de mordaza – 150 mm

5.6 ACEITE HIDRÁULICO

PRECAUCIÓN – Use sólo aceite hidráulico Enerpac® HF, el uso de cualquier otro aceite puede causar una falla de la herramienta de colocación y la bomba y anulará la garantía de la herramienta de colocación.

El aceite hidráulico está disponible bajo pedido con los siguientes números de parte.

ACEITE HIDRÁULICO			
NÚMERO DE PARTE	07992-00081	07992-00082	07992-00083
Número de parte Enerpac®	HF-95X	HF-95Y	HF-95T
Volumen	1 Litro	5 Litros	20 Litros
Viscosidad	32 mm ² /s	32 mm ² /s	32 mm ² /s

5.7 INSTRUCCIONES DE DESMANTELAMIENTO

IMPORTANTE – ASEGÚRESE QUE LA FUENTE DE ALIMENTACIÓN DE LA UNIDAD DE BOMBA HIDRÁULICA ESTÉ APAGADA ANTES DE RETIRAR EL ENSAMBLE DE PUNTA O DESENSAMBLAR LA HERRAMIENTA DE COLOCACIÓN.

Antes de desensamblar:

- Desacople los acopladores rápidos **10** y **11** y el cable de control eléctrico **14** entre la herramienta de colocación y el ensamble de manguera hidráulica.
- Retire el ensamble de punta de la herramienta de colocación conforme a las instrucciones en la hoja de datos del ensamble de punta correspondiente.
- Las sustancias potencialmente peligrosas que podrían haberse depositado en la máquina como resultado de los procesos de trabajo deben eliminarse antes del mantenimiento.

Para un servicio completo de la herramienta, le recomendamos que proceda a desensamblar la herramienta en el orden que se muestra en las páginas 62 a 65. Después de desensamblar la herramienta, le recomendamos que reemplace todos los sellos.

Ensamble de pistón de cabeza:

- Con un destornillador plano pequeño, retire el pasador **41** del adaptador de collar **40**.
- Desenrosque y retire el adaptador de collar **40** del pistón **1**.
- Sujete la manija de la herramienta en un tornillo de banco con mordazas suaves para que la herramienta apunte con la punta hacia abajo.
- Conecte el *Acoplador rápido de repuesto - Macho al Acoplador rápido - hembra **11** en la manguera hidráulica - Retorno **18**. Esto liberará cualquier presión del lado de retorno del pistón **1** y facilitará la extracción de la tapa del extremo **17**.
- Inserte el *Cuerpo de la herramienta del ensamble de la tapa de extremo en la tapa de extremo **17**.
- Con una llave de A/F de 24 mm, desenrosque y retire la Tapa de extremo **17** del Cuerpo **2**.
- Con un destornillador plano pequeño, retire el anillo O **21** de la tapa del extremo **17** y deséchelo.
- Con un destornillador plano pequeño o una herramienta similar, retire el anillo O **30** y el anillo de respaldo en espiral **36** de la ranura externa en la tapa de extremo **17** y deséchelo. Al retirar los sellos, tenga cuidado de no dañar la superficie de la tapa de extremo con el destornillador.
- Retire la herramienta de colocación del tornillo de banco y vacíe el aceite hidráulico desde la parte posterior de la herramienta. Retire el *Acoplador rápido de repuesto - macho del acoplador rápido - hembra **11**.
- Conecte el *Acoplador rápido de repuesto - Hembra al acoplador rápido - Macho **10** en la manguera hidráulica - Extracción **19**. Esto liberará cualquier presión del lado de extracción del pistón **1** y facilitará la extracción del pistón **1**.
- Atornille la *Bala del pistón - Delantera al frente del pistón **1**.
- Coloque el cuerpo **2** con la punta hacia arriba en un banco. Luego, utilizando un mazo suave, golpee el pistón **1** hacia la parte posterior del cuerpo y hacia afuera por la parte trasera, con cuidado de no dañar el orificio dentro del cuerpo.
- Tenga en cuenta que al retirar el pistón **1**, el aceite en el lado de extracción del pistón se escapará de la parte delantera y trasera del cuerpo **2**.
- Al retirar el pistón **1**, el empaque de sellado delantero **15** se puede retener en el eje del pistón. Si este es el caso, desenrosque la *Bala de pistón - Delantera y extraiga el empaque de sellado delantero del pistón.
- El Sello de pistón **26** es un sello de 2 piezas que consiste en un anillo de sellado externo y un anillo O interno. Con un cuchillo pequeño, corte a través del anillo de sellado externo y retire de la ranura externa en el Pistón **1**. Después con un destornillador plano pequeño, retire el anillo O interior del pistón, y deséchelo. Al retirar los sellos, tenga cuidado de no dañar la superficie del pistón.

Todos los números en **negrita** se refieren al Ensamble General y la Lista de partes en las páginas 66, 67 y 68.

*Juego de servicio en página 61.

- Si el empaque de sellado delantero **15** todavía está retenido en el cuerpo **2**. Coloque la punta del cuerpo hacia arriba en un banco y luego empuje el empaque de sellado delantero desde el frente hasta que esté libre del hueco dentro del cuerpo. El empaque de sellado delantero se puede quitar del extremo posterior del cuerpo. Tenga cuidado de no dañar el orificio dentro del cuerpo al hacerlo.
- Con un destornillador plano pequeño, retire el anillo O **23** y el anillo de respaldo en espiral **34** de la ranura externa del empaque de sellado delantero **15** y deséchelo. Al retirar los sellos, tenga cuidado de no dañar la superficie del empaque de sellado delantero con el destornillador.
- Retire el sello de barra **25** y el sello de limpiaparabrisas **22**, de las ranuras internas en el empaque del sello frontal **15**, y deséchelo. Al retirar los sellos, tenga cuidado de no dañar la superficie del empaque de sellado delantero con el destornillador.
- Retire el anillo del cojinete delantero **24** y verifique si la parte está desgastada o dañada. Deseche si es necesario.
- Con un destornillador plano pequeño, retire el anillo O **21** del cuerpo **2** y deséchelo.
- Retire el *Acoplador rápido - Hembra del Acoplador rápido - Macho 10 en la manguera hidráulica - Extracción **19**.
- No retire el tornillo de ajuste **42** del cuerpo **2**.

Ensamble en orden inverso al desmantelamiento observando los siguientes puntos:

- Limpie todos los componentes antes de ensamblar.
- Para ayudar a ensamblar los sellos, aplique una capa ligera de grasa Molykote® 111 a todos los sellos, ranuras de sellado, anillos de respaldo y herramientas de ensamble.
- Deslice el anillo O **23** sobre el empaque de sellado frontal **15** y dentro de la ranura externa. Inserte el anillo de respaldo en espiral **34** en la misma ranura, frente al anillo O instalado. Consulte el Ensamble general y la Lista de partes respecto a la orientación correcta del Anillo O y el anillo de respaldo en espiral.
- Presione el anillo de cojinete delantero **24** en el receso interno dentro del empaque del sello frontal **15** y luego instale el sello de varilla **25** detrás del anillo del cojinete delantero. Instale el sello del limpiador **22** en el receso frontal del empaque del sello frontal. Consulte El Ensamble general para garantizar la orientación correcta del sello del vástago y el sello del limpiador.
- Lubrique la superficie y el borde delantero del orificio del cuerpo **2** en el que se instalará el empaque de sellado frontal **15** con grasa Molykote® 111.
- Lubrique la espiga en la herramienta de *Varilla guía de empaque delantera y luego coloque el empaque del sello frontal **15**, primero el extremo del sello de varilla **25**, completamente sobre la espiga. Inserte la *Varilla de guía de empaque delantero en la parte posterior del cuerpo **2** y luego empuje el empaque del sello delantero completamente dentro del orificio dentro del cuerpo. Se requiere una fuerza razonable para insertar el empaque de sello frontal en el cuerpo, por lo que puede ser necesario utilizar una prensa o un tornillo de banco. Retire la *Varilla guía del empaque delantero mientras se asegura que el empaque del sello delantero permanezca en su lugar.
- Lubrique la ranura del sello y el diámetro externo principal del pistón **1** con grasa Molykote® 111. Deslice el sello del pistón **26** sobre el frente del diámetro del pistón principal y dentro de la ranura del sello.
- Atornille la *Bala del pistón – Delantera en el pistón **1**. Coloque la *Camisa de sello de pistón sobre el eje del pistón y después coloque el anillo de sello exterior del Sello de pistón **26** sobre la *Camisa de sello de pistón de forma que repose sobre el diámetro cónico. Lubrique la superficie de la *Camisa de sello de pistón con grasa Molykote® 111.
- Coloque el *Émbolo de sello de pistón sobre el eje del Pistón **1** y la *Camisa de sello de pistón de forma que el extremo abierto del *Émbolo de sello de pistón se apoye sobre el anillo de sellado exterior del Sello de pistón **26**. Con el *Émbolo de sello de pistón, empuje el anillo de sellado exterior sobre la *Camisa de sello de pistón y dentro de la ranura del sello de pistón. Se requiere una fuerza razonable para expandir e insertar el anillo de sellado exterior en el Pistón, por lo que puede ser necesario utilizar una prensa o un tornillo de banco.
- Retire el *Émbolo de sello de pistón y la *Camisa de sello de pistón del Pistón **1**. Lubrique la *Bala del pistón - delantera, el eje del pistón y sello del pistón **26** con grasa Molykote® 111.
- Atornille completamente la *Camisa de guía del pistón en la parte posterior del Cuerpo **2**. Lubrique los orificios tanto en el cuerpo como en la *Camisa de guía del pistón con grasa Molykote® 111.
- Conecte el *Acoplador rápido de repuesto - Hembra al acoplador rápido - Macho **10** en la manguera hidráulica - Extracción **19**. Esto permitirá que se libere aire del pistón **1** del lado de extracción al insertar el pistón.
- Inserte el pistón **1** ensamblado en la parte posterior del cuerpo **2** y a través del empaque de sello frontal **15** ensamblado. Empuje el pistón a la posición completamente hacia adelante hasta que se detenga contra el empaque del sello delantero. El aceite hidráulico será expulsado de la manguera hidráulica - Extracción **19**. Se requiere una fuerza razonable para insertar el Pistón en el cuerpo, por lo que puede ser necesario utilizar una prensa o un tornillo de banco.

Todos los números en **negrita** se refieren al Ensamble General y la Lista de partes en las páginas 66, 67 y 68.

*Juego de servicio en página 61.

- Retire el *Acoplador rápido - Hembra del Acoplador rápido - Macho **10** en la manguera hidráulica - Extracción **19**. Retire la *camisa guía del pistón de la parte posterior del cuerpo **2**.
- Deslice el anillo O **30** sobre la tapa de extremo **17** y dentro de la ranura externa. Inserte el anillo de respaldo en espiral **36** en la misma ranura, detrás del anillo O instalado. Consulte el Ensamble general y la Lista de partes respecto a la orientación correcta del Anillo O y el anillo de respaldo en espiral.
- Presione el anillo de cojinete trasero **29** en el receso interno dentro del empaque del sello trasero **16** y luego instale el sello de varilla **28** detrás del anillo del cojinete trasero. Instale el sello del limpiador **31** en el receso trasero del empaque del sello trasero. Consulte El Ensamble general para garantizar la orientación correcta del sello del vástago y el sello del limpiador.
- Sujete la manija de la herramienta en un tornillo de banco con mordazas suaves para que la herramienta apunte con la punta hacia abajo.
- Lubrique la superficie y el borde delantero del orificio del cuerpo **2** en el que se instalará el empaque de sellado trasero **16** con grasa Molykote® 111.
- Llene la parte trasera del cuerpo **2** con aceite hidráulico Enerpac® HF. El nivel de aceite debe estar justo arriba del orificio de entrada posterior en el cuerpo.
- Conecte el *Acoplador rápido de repuesto - Macho al Acoplador rápido - hembra **11** en la manguera hidráulica - Retorno **18**. Esto permitirá que se libere aire desde el lado de retorno del pistón **1** al insertar la tapa de extremo **17**.
- Lubrique tanto la rosca interna en el Cuerpo **2** como la rosca externa en la Tapa de extremo **17** con grasa de litio molibdeno.
- Inserte la tapa de extremo **17** en la parte posterior del cuerpo **2**, teniendo cuidado de no dañar el anillo O **30** y el anillo de respaldo en espiral **36** en las roscas del cuerpo. Atornille la tapa de extremo **17** completamente en la parte posterior del cuerpo usando la *Herramienta de ensamble de la tapa de extremo. Al hacerlo, se expulsará una pequeña cantidad de aceite de la manguera hidráulica - Retorno **18**.
- Retire el *Acoplador rápido de repuesto - Macho del Acoplador rápido - hembra **11** en la manguera hidráulica - Retorno **18**.
- Atornille el Adaptador de collar **40** en el pistón **1** hasta que la cara frontal quede al ras con el extremo del pistón. Alinee el orificio en el adaptador de collar con la ranura en el extremo del pistón y luego inserte el pasador de bloqueo **41**.
- Cebe la herramienta de colocación como se describe en Preparación para uso en la página 59.

Ensamble de manguera:

- Retire los dos tornillos **9** de la abrazadera de la manguera **13** con una llave Allen de 3.0mm. Retire la abrazadera de manguera y el inserto de abrazadera **20** de la camisa de protección **37** y las mangueras hidráulicas - retorno **18** y extracción **19**.
- Con el destornillador plano pequeño, extraiga el Caimán de manija **8** de la manija del cuerpo **2**. Jale el caimán de manija sobre la camisa de protección **37**, las mangueras hidráulicas-retorno **18** y extracción **19** y retírelo.
- Corte el amarre de cable **35** y deslice hacia atrás la camisa de protección **37** para exponer los accesorios en las mangueras hidráulicas **18** y **19**. Las mangueras hidráulicas se pueden retirar del cuerpo **2** con llaves hidráulicas de 12mm y 14mm.
- Los acopladores rápidos - macho **10** y hembra **11** se pueden retirar de las mangueras hidráulicas - extracción **18** y **19** con llaves hidráulicas de 18mm y 24mm.
- Para retirar el interruptor de gatillo **7**, primero afloje el empaque de cable **38**, de forma que el Cable de control **14** esté libre para moverse dentro del cuerpo **2**. Después desatornille el tornillo de ajuste M4 **12** con una llave Allen de 2.0mm.
- Empuje el Cable de control **14** en el cuerpo **2** y jale simultáneamente el Interruptor de gatillo **7** del cuerpo para exponer las juntas soldadas en las terminales del interruptor de gatillo. Elimine la soldadura de las terminales para retirar el Interruptor de gatillo y el Inserto de gatillo **39**. El Inserto de gatillo está unido al Interruptor de gatillo y no se puede retirar.
- El Cable de control **14** ahora se puede extraer del cuerpo **2** y retirarse de la camisa de protección **37**.

Ensamble en orden inverso al desmantelamiento observando los siguientes puntos:

- Antes del ensamble, limpie todas las roscas de los Acopladores rápidos - macho **10** y hembra **11**, y las mangueras hidráulicas - retorno **18** y extracción **19**. Luego aplique dos o tres capas de cinta de PTFE de 10mm a las roscas macho en ambas mangueras hidráulicas.

Todos los números en **negrita** se refieren al Ensamble General y la Lista de partes en las páginas 66, 67 y 68.

*Juego de servicio en página 61.

- Cuando vuelva a colocar el Interruptor de gatillo **7** aplique *Loctite® 243 a la rosca macho en el Interruptor de gatillo antes de ensamblar el Inserto de gatillo **39**.
- Aplique *Loctite® 243 al Tornillo de ajuste M4 **12** antes del ensamble.
- Una vez ensamblada, cebe la herramienta conforme a las instrucciones en la página 59.

5.8 PROTECCIÓN DEL AMBIENTE

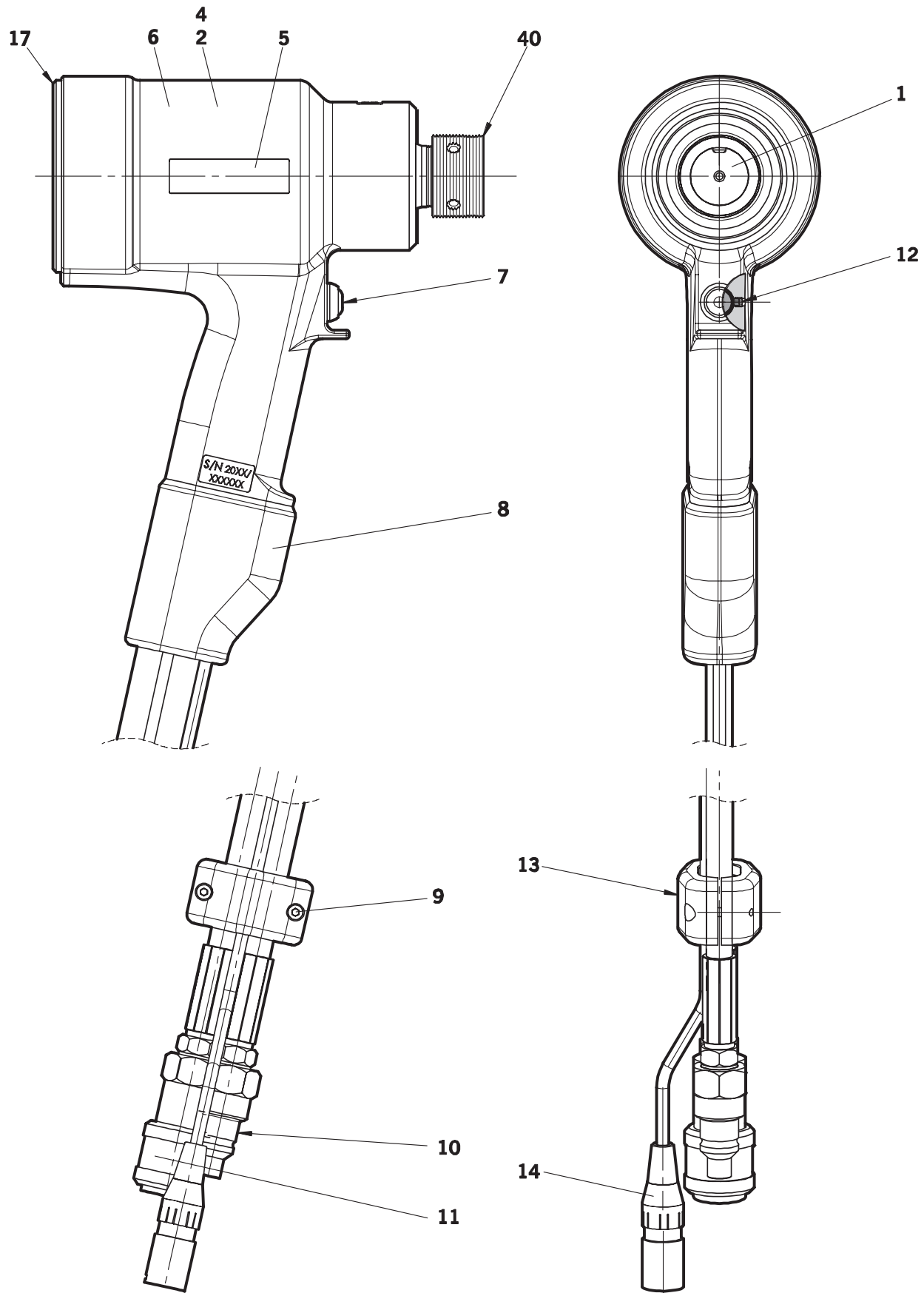
- Asegure la conformidad con las regulaciones de eliminación aplicables. Deseche todos los productos de desecho en una instalación o sitio de desechos aprobado para no exponer al personal y al medio ambiente a riesgos.

Todos los números en **negrita** se refieren al Ensamble General y la Lista de partes en las páginas 66, 67 y 68.

*Juego de servicio en página 61.

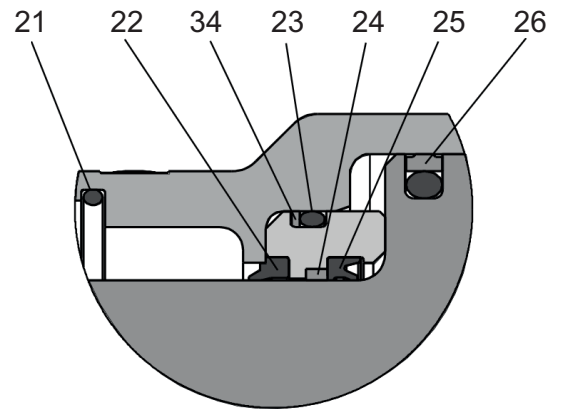
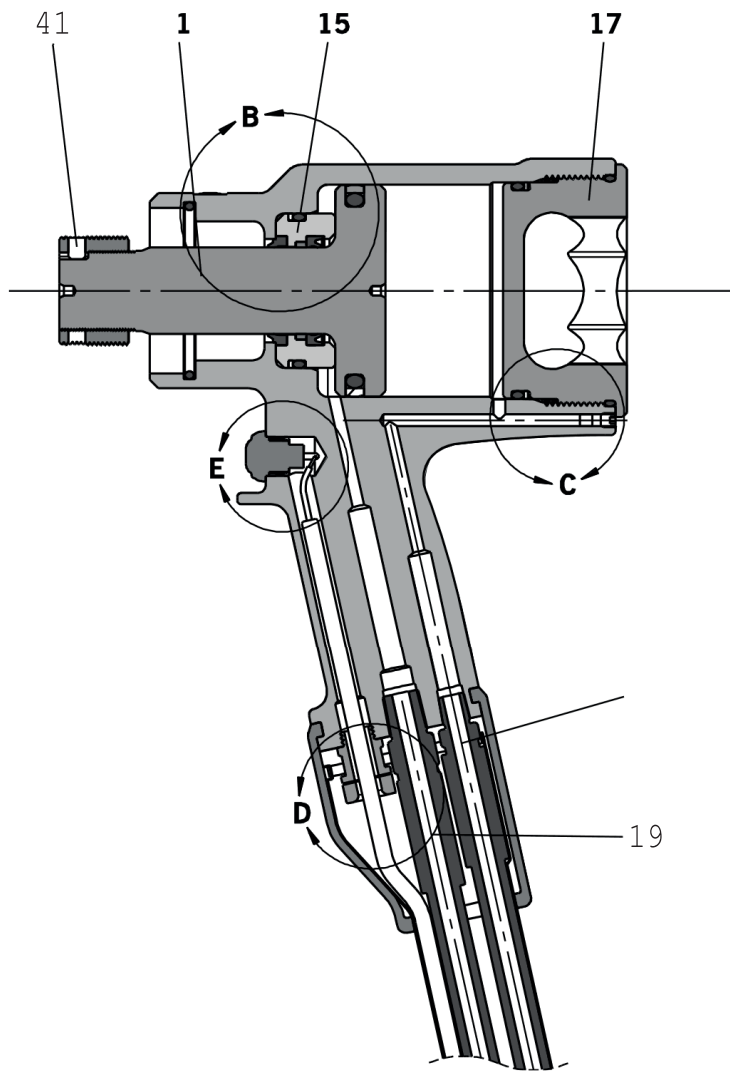
6. ENSAMBLE GENERAL Y LISTA DE PARTES

6.1 ENSAMBLE GENERAL

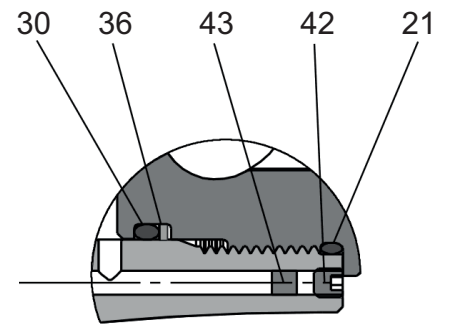


**ITEM 37 PROTECTIVE SLEEVE
REMOVED FOR CLARITY**

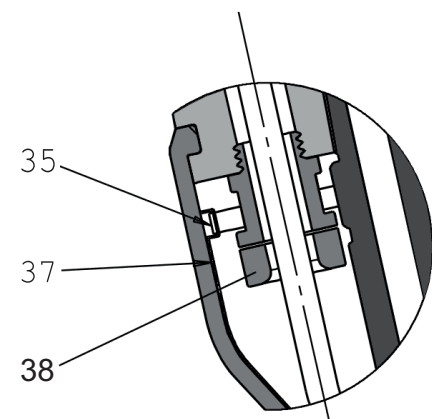
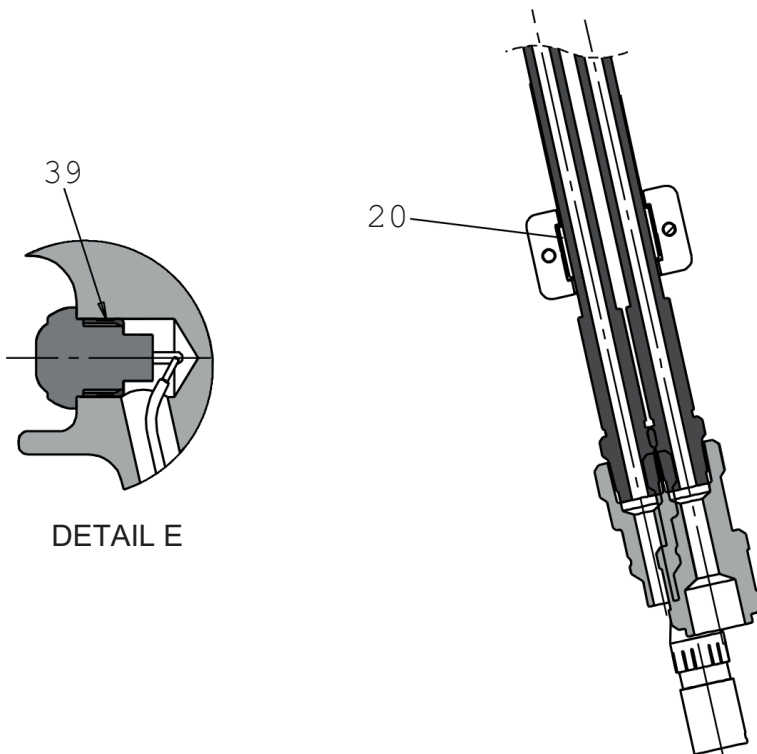
**ITEM 37 PROTECTIVE SLEEVE
REMOVED FOR CLARITY**



DETAIL B



DETAIL C



DETAIL D

6.2 LISTA DE PARTES

73432-02000 Lista de partes			
ELEMENTO	NÚMERO DE PARTE	DESCRIPCIÓN	CANT.
1	73434-02003	PISTÓN	1
2	73434-02001	CUERPO	1
3			
4	73425-02016	ETIQUETA DE SEGURIDAD	1
5	73434-02026	ETIQUETA AV30	2
6	07007-01504	ETIQUETA CE Y UKCA	1
7	07007-02103	INTERRUPTOR DE GATILLO	1
8	73430-02020	CAIMÁN DE MANIJA	1
9	07001-00686	TORNILLO PRISIONERO M4 X 16 SKT HD	2
10	07005-10118	ACOPLADOR RÁPIDO - MACHO	1
11	07005-10120	ACOPLADOR RÁPIDO - HEMBRA	1
12	07001-00479	TORNILLO DE AJUSTE M4 X 4 SKT	1
13	73430-02023	ABRAZADERA DE MANGUERA	1
14	07007-02105	CABLE DE CONTROL	1
15	73434-02004	EMPAQUE DE SELLO DELANTERO	1
16			
17	73434-02005	TAPA DE EXTREMO	1
18	07005-10119	MANGUERA HIDRÁULICA - RETORNO	1
19	07005-10117	MANGUERA HIDRÁULICA - EXTRACCIÓN	1
20	73430-02024	INSERTO DE ABRAZADERA	1
21	07003-00463	ANILLO O	2
22	07003-00452	SELLO DE LIMPIADOR	1
23	07003-00461	ANILLO O	1
24	73434-02009	ANILLO DE COJINETE DELANTERO	1
25	07003-00451	SELLO DE VARILLA	1
26	07003-00453	SELLO DE PISTÓN	1
27			
28			
29			
30	07003-00464	ANILLO O	1
31			
32			
33			
34	07003-00494	ANILLO DE RESPALDO ESPIRAL	1
35	07007-02032	AMARRE DE CABLE	1
36	07003-00496	ANILLO DE RESPALDO ESPIRAL	1
37	07005-10121	CAMISA DE PROTECCIÓN	0.6 m
38	07007-02104	EMPAQUE DE CABLE	1
39	73430-02008	INSERTO DE GATILLO	1
40	73434-02012	ADAPTADOR DE COLLAR	1
41	73434-02013	PASADOR DE BLOQUEO	1
42	07001-00481	TORNILLO DE AJUSTE M5 X 5 SKT	1
-	07900-01022	MANUAL DE INSTRUCCIONES DE HERRAMIENTA AV30	1

7. DATOS DE SEGURIDAD

7.1 ACEITE HIDRÁULICO ENERPACE® HF - DATOS DE SEGURIDAD

PRIMEROS AUXILIOS

PIEL:

Es poco probable que cause daño a la piel por contacto breve u ocasional, pero la exposición prolongada puede provocar dermatitis. Lave la piel minuciosamente con agua y jabón tan pronto como sea razonablemente posible. Quítese la ropa muy contaminada y lave la piel subyacente.

ORAL:

Es poco probable que cause daño si se ingiere accidentalmente en pequeñas dosis, aunque cantidades mayores pueden causar náuseas y diarrea. Si se produce contaminación de la boca, lávese bien con agua. A menos que sea un acto deliberado, es poco probable la ingestión de grandes cantidades de producto. Si ocurriera, no induzca el vómito; obtenga consejo médico. Lleve a la persona al centro médico más cercano.

OJOS:

Es poco probable que cause más que un escozor o enrojecimiento transitorio si ocurre un contacto con los ojos accidental. Lávese bien los ojos con abundante agua, asegurándose que los párpados se mantengan abiertos. Obtenga asesoramiento médico si se desarrolla o persiste algún dolor o enrojecimiento.

CONSEJO MÉDICO:

En general, el tratamiento debe ser sintomático y dirigido a aliviar cualquier efecto.

Nota: Aplicaciones de alta presión:

Las inyecciones a través de la piel, resultantes del contacto con el producto a alta presión, constituyen una emergencia médica importante. Las lesiones pueden no parecer serias al principio, pero en unas pocas horas el tejido se hincha, se decolora y es extremadamente doloroso con una necrosis subcutánea extensa.

Se debe realizar una exploración quirúrgica sin demora. Es necesario un desbridamiento completo y extenso de la herida y el tejido subyacente para minimizar la pérdida de tejido y prevenir o limitar el daño permanente. Tenga en cuenta que la alta presión puede forzar al producto a distancias considerables a lo largo de los planos del tejido.

DISPOSICIÓN

Elimine todos los derrames con material absorbente inerte. Ventile el área del derrame. Coloque los materiales contaminados en un recipiente desechable y deséchelos de acuerdo con las regulaciones locales.

FUEGO

PUNTO DE INFLAMABILIDAD: 200°C.

Extinga con dióxido de carbono, espuma, químico o seco. No entre en espacios confinados sin un aparato de respiración autónomo.

MANEJO

Use crema protectora o guantes resistentes al aceite.

ALMACENAMIENTO

Cubierto y de acuerdo con las regulaciones locales para material inflamable.

7.2 GRASA DE MOLIBDENO EP 3753 - DATOS DE SEGURIDAD

La grasa se puede pedir como un artículo sencillo, el número de parte se muestra en la página 61 del juego de servicio.

PRIMEROS AUXILIOS

PIEL:

Como la grasa es completamente resistente al agua, es mejor eliminarla con un limpiador emulsionante aprobado para la piel.

INGESTIÓN:

Asegúrese que el individuo beba 30 ml de leche de magnesia, preferiblemente en una taza de leche.

OJOS:

Irritante pero no dañino. Aplique agua y busque atención médica.

FUEGO

PUNTO DE INFLAMABILIDAD: Mayor a 220°C.

No clasificado como inflamable.

Medios de extinción adecuados: CO₂, halón o agua pulverizada si lo aplica un operador experimentado.

MEDIO AMBIENTE

Deseche para la incineración o eliminación en un sitio aprobado.

MANEJO

Use crema de barrera o guantes resistentes al aceite

ALMACENAMIENTO

Lejos del calor y agentes oxidantes.

7.3 GRASA MOLYKOTE® 111 - DATOS DE SEGURIDAD

La grasa se puede pedir como un artículo sencillo, el número de parte se muestra en la página 61 del juego de servicio.

PRIMEROS AUXILIOS

PIEL:

No se necesitarían primeros auxilios.

INGESTIÓN:

No se necesitarían primeros auxilios.

OJOS:

No se necesitarían primeros auxilios.

INHALACIÓN:

No se necesitarían primeros auxilios.

FUEGO

PUNTO DE INFLAMABILIDAD: Mayor a 101.1°C. (taza cerrada)

Propiedades explosivas: No

Medios de extinción adecuados: Espuma de dióxido de carbono, polvo seco o rocío de agua fino. Se puede usar agua para enfriar contenedores expuestos al fuego.

MEDIO AMBIENTE

No se predicen efectos adversos.

MANEJO

Se recomienda ventilación general. Evite el contacto con los ojos.

ALMACENAMIENTO

No guarde con agentes oxidantes. Mantenga el contenedor cerrado y guarde lejos de agua o humedad.

8. DIAGNÓSTICO DE FALLA

SÍNTOMA	CAUSA POSIBLE	REMEDIO	PÁGINA DE REF.
La herramienta de colocación no funcionará	Unidad de bomba inoperante	Verifique el suministro de energía de la bomba y consulte el manual de instrucciones de la unidad de la bomba	
	Acopladores rápidos defectuosos 10 y 11	Reemplace los acopladores rápidos	64
	El cable de control del gatillo 14 no está conectado correctamente	Verifique que el cable de control esté conectado correctamente en la bomba y la herramienta de colocación	59
El interruptor de gatillo 7 no funciona	Interruptor de gatillo dañado 7 o cable de control 14	Reemplace el interruptor de gatillo y/o el cable de control	64
	Bomba en modo local	Consulte el manual de instrucciones de la bomba	
La bomba funciona pero la herramienta de colocación no funciona	Interruptor de gatillo 7 , cable de control 14 o conector dañado	Reemplace el interruptor de gatillo y/o el cable de control	64
	Mangueras hidráulicas no conectadas	Verifique las conexiones correctas en la bomba y la herramienta de colocación	59
	Bajo nivel de aceite	Asegúrese que la herramienta de colocación esté llena de aceite y cebada correctamente Consulte el manual de instrucciones de la bomba	59
	Fuga externa de aceite de herramienta de colocación	Revise la herramienta de colocación - reemplace los componentes desgastados o dañados	62 - 65
	Fuga de aceite externa de ensamble de manguera	Revise el ensamble de la manguera - asegúrese que las conexiones de la manguera estén apretadas y/o reemplace los conectores de la manguera dañados	64
	Fuga de aceite interna/externa de bomba	Consulte el manual de instrucciones de la bomba	
La herramienta de colocación funciona de forma irregular	Suministro de presión hidráulica baja o errática	Consulte el manual de instrucciones de la bomba	
	Sellos hidráulicos desgastados o dañados en la herramienta de colocación	Revise la herramienta de colocación - reemplace los sellos desgastados o dañados	62 - 65
	Superficies de sellado hidráulico desgastadas o dañadas en la herramienta de colocación	Revise la herramienta de colocación - reemplace los componentes desgastados o dañados	62 - 65
	Fuga de aceite interna/externa de bomba	Consulte el manual de instrucciones de la bomba	
La bomba acumula presión completa, pero la cola de pato no se rompe	Carga de ruptura mayor que la capacidad de la herramienta de colocación en presión máxima	Consulte la especificación de la herramienta de colocación	56
	Flujo a la herramienta de colocación bloqueada	Verifique los acopladores rápidos 10 y 11 respecto a conexión completa	59
	Valor de alivio de presión de la bomba ajustado demasiado bajo	Ajuste la configuración de la válvula de alivio de presión - consulte el manual de instrucciones de la bomba	
	Ranuras de extracción en la cola de pato del sujetador trasrocadas	Ver síntoma en la página <?>	60
	Operación incorrecta de la herramienta		60

SÍNTOMA	CAUSA POSIBLE	REMEDIO	PÁGINA DE REF.
El pistón de la herramienta de colocación 1 no regresa	Flujo de retorno restringido o bloqueado	Verifique los acopladores rápidos 10 y 11 respecto a una conexión completa y/o falla	59
	Mangueras hidráulicas no conectadas	Verifique las conexiones correctas en la bomba y la herramienta de colocación	59
	Falla de válvula de la bomba	Consulte el manual de instrucciones de la bomba	
	Ajuste de temporizador de retorno de la bomba incorrecto - ajustado demasiado bajo	Ajuste el temporizador de retorno en el ajuste recomendado - consulte el manual de instrucciones de la bomba	
La herramienta de colocación no expulsa el collar del yunque	La válvula de alivio de presión de retorno de la bomba está ajustada demasiado baja	Ajuste la válvula de alivio de presión de retorno en el ajuste correcto - consulte el manual de instrucciones de la bomba	
	Suministro de presión hidráulica baja o errática	Consulte el manual de instrucciones de la bomba	
	Sellos hidráulicos desgastados o dañados en la herramienta de colocación	Revise la herramienta de colocación - reemplace los sellos desgastados o dañados	62 - 65
	Superficies de sellado hidráulico desgastadas o dañadas en la herramienta de colocación	Revise la herramienta de colocación - reemplace los componentes desgastados o dañados	62 - 65
Ranuras de extracción de la cola de pato del sujetador trasrocadas durante la instalación	Fuga de aceite interna/externa de bomba	Consulte el manual de instrucciones de la bomba	
	El operador no empuja la punta por completo sobre la cola de pato del sujetador antes de operar la herramienta	Indique al operador sobre el método de instalación correcto	60
	Longitud de sujetador / longitud de agarre incorrecta	Use el sujetador correcto	
	Segmentos de mordazas desgastados o dañados	Verifique y reemplace el juego de mordaza - consulte la hoja de datos del equipo de punta	60
El collar Avdelok® o Avbolt® no está completamente estampado La cola de pato no se libera del equipo de la punta	Residuos en segmentos de mordaza y/o ranuras de cola de pato	Limpie los segmentos de la mordaza - consulte la hoja de datos del equipo de punta	
	Espacio entre láminas excesivo	Cierre el espacio entre láminas	60
	Operación incorrecta de la herramienta		60
	Orificio de yunque desgastado	Verifique y reemplace el yunque - consulte la hoja de datos del equipo de punta	
La herramienta de colocación y el aceite hidráulico se calientan	Ensamble incorrecto del equipo de punta	Consulte la hoja de datos del equipo de punta	
	Restricción en línea hidráulica	Verifique los acopladores rápidos hidráulicos 10 y 11 y reemplácelos si es necesario	64
	Temperatura ambiente alta		
Acopladores rápidos hidráulicos 10 y 11 fugas de aceite	Anillo O desgastado en el cuerpo del acoplador rápido macho 10	Reemplace el anillo O y el anillo de respaldo en el acoplador rápido 10	64

Todos los números en **negrita** se refieren al Ensamble General y la Lista de partes en las páginas 66, 67 y 68.

*Juego de servicio en página 61.

9. DECLARACIÓN DE CONFORMIDAD EC

Nosotros, **Stanley Engineered Fastening, Stanley House, Works Road, Letchworth Garden City, Hertfordshire, SG6 1JY UNITED KINGDOM**, declaramos bajo nuestra exclusiva responsabilidad que el producto:

Descripción: HERRAMIENTA HIDRO-ELÉCTRICA AV30

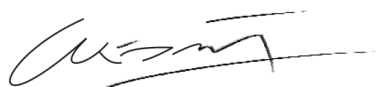
Modelo: HERRAMIENTA ESTRUCTURAL AV30 – 73434-02000

con el que se relaciona esta declaración cumple con las siguientes normas armonizadas:

ISO 12100:2010	EN ISO 3744:2010
EN ISO 11202:2010	EN ISO 11148-1:2011
EN ISO 4413:2010	EN ISO 20643:2008+A1:2012
EN ISO 4414:2010	ES100118-rev 17:2017
EN ISO 28927-5:2009+A1:2015	

La documentación técnica se compila de acuerdo con el anexo 1, sección 1.7.4.1, de acuerdo con la siguiente Directiva: **Directiva de Maquinaria 2006/42/EC** (Instrumentos Estatuarios 2008 No 1597 - Referido al Suministro de regulaciones de maquinaria (Seguridad)).

El abajo firmante hace esta declaración en nombre de STANLEY Engineered Fastening



A. K. Seewraj

Director de Ingeniería, Reino Unido

Avdel UK Limited, Stanley House, Works Road, Letchworth Garden City, Hertfordshire, SG6 1JY REINO UNIDO

Lugar de emisión: Letchworth Garden City, Reino Unido

Fecha de emisión: 12-12-2011

El abajo firmante es responsable de la recopilación del archivo técnico para los productos vendidos en la Unión Europea y realiza esta declaración en nombre de Stanley Engineered Fastening.

Matthias Appel

Documentación Técnica de Líder de Equipo

Stanley Engineered Fastening, Tucker GmbH, Max-Eyth-Str.1, 35394 Gießen, Alemania



Esta maquinaria cumple con
Directiva de Maquinaria 2006/42/EC

10. DECLARACIÓN DE CONFORMIDAD DEL REINO UNIDO

Nosotros, **Stanley Engineered Fastening, Stanley House, Works Road, Letchworth Garden City, Hertfordshire, SG6 1JY UNITED KINGDOM**, declaramos bajo nuestra exclusiva responsabilidad que el producto:

Descripción: HERRAMIENTA HIDRO-ELÉCTRICA AV30

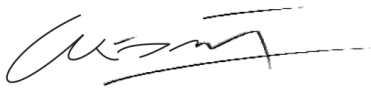
Modelo: HERRAMIENTA ESTRUCTURAL AV30 – 73434-02000

con el que se relaciona esta declaración cumple con las siguientes normas armonizadas:

ISO 12100:2010	EN ISO 3744:2010
EN ISO 11202:2010	EN ISO 11148-1:2011
EN ISO 4413:2010	EN ISO 20643:2008+A1:2012
EN ISO 4414:2010	ES100118-rev 17:2017
EN ISO 28927-5:2009+A1:2015	

La documentación técnica se recopila de acuerdo con las Regulaciones de Suministro de Maquinaria (Seguridad) de 2008, S.I. 2008/1597 (conforme se modifiquen).

El abajo firmante hace esta declaración en nombre de STANLEY Engineered Fastening



A. K. Seewraj

Director de Ingeniería, Reino Unido

Avdel UK Limited, Stanley House, Works Road, Letchworth Garden City, Hertfordshire, SG6 1JY REINO UNIDO

Lugar de emisión: Letchworth Garden City, Reino Unido

Fecha de emisión: 12-12-2011



Esta maquinaria cumple con
Regulaciones de Suministro de Maquinaria (Seguridad) 2008,
S.I. 2008/1597 (conforme se modifique)

11. ¡PROTEJA SU INVERSIÓN!

Stanley® Engineered Fastening GARANTÍA DE HERRAMIENTA DE REMACHA CIEGO

STANLEY® Engineered Fastening garantiza que todas las herramientas eléctricas se han fabricado cuidadosamente y que estarán libres de defectos de material y mano de obra en condiciones normales de uso y servicio por un período de un (1) año.

Esta garantía se aplica al comprador por primera vez de la herramienta sólo para uso original.

Exclusiones:

Uso y desgaste normal.

El mantenimiento periódico, la reparación y las partes de repuesto debido al desgaste normal se excluyen de la cobertura.

Abuso y mal uso.

Los defectos o daños que resultan de una operación, almacenamiento inadecuados, mal uso o abuso, accidente o negligencia, como daños físicos, están excluidos de la cobertura.

Servicio o modificación no autorizados.

Los defectos o daños resultantes del servicio, ajuste de prueba, instalación, mantenimiento, alteración o modificación de cualquier manera por parte de cualquier persona que no sea STANLEY® Engineered Fastening, o sus centros de servicio autorizados, están excluidos de la cobertura.

Se excluyen todas las demás garantías, ya sean expresas o implícitas, incluidas las garantías de comerciabilidad o idoneidad para un propósito.

Si esta herramienta no cumple con la garantía, devuélvala de inmediato a nuestro centro de servicio autorizado de fábrica más cercano. Para obtener una lista de los Centros de servicio autorizados de STANLEY® Engineered Fastening en los EUA o Canadá, contáctenos en nuestro número de larga distancia gratuito (877) 364 2781.

Fuera de los EUA y Canadá, visite nuestro sitio web **www.StanleyEngineeredFastening.com** para encontrar la ubicación de sujeción de STANLEY Engineered Fastening más cercana.

STANLEY Engineered Fastening entonces reemplazará, sin cargo, cualquier parte o partes que consideremos defectuosas debido a un material o mano de obra defectuosos, y devolverá la herramienta con envío prepago. Esto representa nuestra única obligación bajo esta garantía.

En ningún caso, STANLEY Engineered Fastening será responsable de ningún daño consecuente o especial que surja de la compra o uso de esta herramienta.

Registre su herramienta de remache ciego en línea.

Para registrar su garantía en línea, visítenos en

<https://www.stanleyengineeredfastening.com/support/warranty-registration-form>

Gracias por elegir una herramienta de la marca Stanley Assembly Technologies de STANLEY® Engineered Fastening.

©2019 STANLEY Black & Decker Todos os Direitos Reservados.

As informações fornecidas aqui não podem ser reproduzidas e/ou publicadas de qualquer forma e através de qualquer meio (eletrônica ou mecanicamente) sem a permissão prévia explícita e por escrito da STANLEY Engineered Fastening. As informações fornecidas baseiam-se em dados conhecidos no momento do lançamento de esse produto. A STANLEY Engineered Fastening segue uma política de melhoria contínua de produtos, por isso seus produtos podem sofrer alterações. As informações fornecidas se aplicam ao produto entregue pela STANLEY Engineered Fastening. Logo, a STANLEY Engineered Fastening não pode ser responsabilizada por qualquer dano resultante de desvios das especificações originais do produto.

As informações disponíveis foram elaboradas com o máximo cuidado. No entanto, a STANLEY Engineered Fastening não aceitará responsabilidade por quaisquer falhas de informação ou suas conseqüências resultantes disso. A STANLEY Engineered Fastening não aceitará qualquer responsabilidade por danos provenientes de atividades realizadas por terceiros. Os nomes de trabalho, nomes comerciais, marcas comerciais registradas etc. utilizadas pela STANLEY Engineered Fastening não devem ser considerados livres nos termos da legislação referentes à proteção das marcas.

ÍNDICE

1. DEFINIÇÕES DE SEGURANÇA	78
1.1 REGRAS GERAIS DE SEGURANÇA	78
1.2 PERIGOS DE PROJÉTEIS	78
1.3 PERIGOS OPERACIONAIS.....	79
1.4 PERIGOS DE MOVIMENTOS REPETITIVOS	79
1.5 PERIGOS DE ACESSÓRIOS	79
1.6 PERIGOS NO LOCAL DE TRABALHO.....	79
1.7 PERIGOS DE RUÍDO	80
1.8 PERIGOS DE VIBRAÇÃO	80
1.9 INSTRUÇÕES ADICIONAIS DE SEGURANÇA PARA FERRAMENTAS HIDRÁULICAS.....	80
2. ESPECIFICAÇÕES	81
2.1 USO PRETENDIDO.....	81
2.2 ESPECIFICAÇÃO DA FERRAMENTA	81
2.3 DIMENSÕES DA FERRAMENTA	82
3. COLOCAR EM SERVIÇO	83
3.1 PRINCÍPIO DA OPERAÇÃO.....	83
3.2 PREPARAÇÃO PARA USO	84
4. INSTRUÇÕES OPERACIONAIS	85
4.1 COMO INSTALAR UM REBITE AVBOLT®	85
4.2 COMO INSTALAR REBITES AVDELOK® XT	85
5. MANUTENÇÃO DA FERRAMENTA	86
5.1 MANUTENÇÃO DIÁRIA	86
5.2 MANUTENÇÃO SEMANAL	86
5.3 MANUTENÇÃO ANUAL / CADA 150.000 HORAS DE OPERAÇÃO	86
5.4 CONJUNTO DE MANUTENÇÃO	86
5.5 FERRAMENTAS DE MANUTENÇÃO	86
5.6 ÓLEO HIDRÁULICO	86
5.7 INSTRUÇÕES PARA DESMANTELAMENTO.....	87
5.8 PROTEÇÃO AO MEIO AMBIENTE.....	89
6. CONJUNTO GERAL E LISTA DE PEÇAS.....	90
6.1 CONJUNTO GERAL.....	90
6.2 LISTA DE PEÇAS.....	92
7. DADOS DE SEGURANÇA	93
7.1 ÓLEO HIDRÁULICO ENERPAC® HF - DADOS DE SEGURANÇA.....	93
7.2 GRAXA MOLILÍTIÓ EP 3753 - DADOS DE SEGURANÇA	93
7.3 GRAXA MOLYKOTE® 111 - DADOS DE SEGURANÇA	94
8. DIAGNÓSTICO DE AVARIAS	95
9. DECLARAÇÃO DE CONFORMIDADE DA CE.....	97
10. DECLARAÇÃO DE CONFORMIDADE DO REINO UNIDO	98
11. PROTEJA O SEU INVESTIMENTO!	99



Esse manual de instruções deve ser lido por qualquer pessoa que instalará ou operará esta ferramenta, e com atenção especial para as seguintes instruções e avisos de segurança.



Sempre use óculos de proteção resistente a impacto durante a operação da ferramenta. O grau de proteção necessário deve ser avaliado antes de cada uso.



O uso da ferramenta pode expor as mãos do operador a perigos de esmagamento, impacto, cortes, abrasões e calor. Use luvas apropriadas para proteger suas mãos.



Use proteção auricular de acordo com as instruções do empregador e como exigido por as regulações de saúde e segurança no trabalho.

1. DEFINIÇÕES DE SEGURANÇA

As definições abaixo descrevem a gravidade de cada palavra de sinalização. Por favor, leia o manual e preste atenção nestes símbolos.



PERIGO: Indica uma situação de perigo iminente que, se não for evitada, poderá resultar em morte ou ferimentos graves.



ATENÇÃO: Indica uma situação potencialmente perigosa que, se não for evitada, poderá resultar em morte ou lesões corporais graves.



CUIDADO: Indica uma situação potencialmente perigosa que, se não for evitada, talvez resulte em ferimentos leves ou moderados.



CUIDADO: Usado sem o símbolo de alerta de segurança indica uma situação potencialmente perigosa que, se não for evitada, poderá resultar em danos materiais.

A operação ou manutenção inadequada deste produto pode resultar em ferimentos graves e danos materiais. Leia e entenda todos os avisos e instruções operacionais antes de utilizar este equipamento. Quando estiver usando ferramentas elétricas, siga sempre as precauções básicas de segurança para reduzir o risco de lesões corporais.

GUARDE TODOS OS AVISOS E INSTRUÇÕES PARA CONSULTA FUTURA.

1.1 REGRAS GERAIS DE SEGURANÇA

- Para conhecer seus vários perigos, leia e compreenda as instruções de segurança antes de instalar, operar, reparar, manter, trocar acessórios ou trabalhar próximo da ferramenta. Seu não cumprimento pode resultar em danos corporais graves.
- Somente operadores qualificados e treinados podem instalar, ajustar ou usar a ferramenta.
- NÃO use o produto fora de sua aplicação prevista no projeto da Rebitadeiras de Rebite Cego da STANLEY Engineered Fastening.
- Use somente peças, parafusos, e acessórios recomendados pelo fabricante.
- NÃO modifique a ferramenta. Modificações podem reduzir a eficiência das medidas de segurança e aumentar os riscos para o operador. Qualquer modificação na ferramenta realizada por o cliente será de sua inteira responsabilidade e invalida quaisquer garantias aplicáveis.
- Não descarte as instruções de segurança, as entregue ao operador.
- Não use a ferramenta se estiver danificada.
- Antes de usar, verifique se tem desalinhamentos ou junções de peças móveis, quebra de peças e qualquer outras condições que afetem o funcionamento da ferramenta. Se ela estiver danificada, envie-a à manutenção antes de usá-la. Remova chaves de ajuste ou chaves fixa antes de usá-la.
- As ferramentas periodicamente para verificar se as classificações e marcações obrigatórias para essa peça por ISO 11148 estão visivelmente marcadas na ferramenta. O empregador/usuário deve contatar o fabricante para obter rótulos de marcação de reposição sempre que necessário.
- A ferramenta deve ser sempre mantida em condição operacional segura, e examinada por pessoal treinado em intervalos regulares quanto ao seu funcionamento e à presença de danos. Qualquer procedimento de desmontagem deve ser realizado apenas por pessoal treinado. Não desmonte esta ferramenta sem consultar antes as instruções de manutenção.

1.2 PERIGOS DE PROJÉTEIS

- Desligue a bateria da ferramenta antes de executar qualquer manutenção, tentar ajustar, encaixar ou remover um conjunto de nariz ou acessórios.

- Fique atento que avaria na peça de trabalho ou acessórios, ou mesmo em a ferramenta pode gerar projéteis a alta velocidade.
- Sempre use óculos de proteção resistente a impacto durante a operação da ferramenta. O grau de proteção necessário deve ser avaliado antes de cada uso.
- Avalie ao mesmo tempo os riscos para os outros.
- Se certifique que a peça de trabalho está bem presa.
- Controle se os meios de proteção contra ejeção de os grampos e/ou mandril está em seu lugar e está operacional.
- Avise contra a possível ejeção forçada de mandris na parte frontal da ferramenta.
- NÃO opere a ferramenta direcionada a outra/s pessoa/s.

1.3 PERIGOS OPERACIONAIS

- O uso da ferramenta pode expor as mãos do operador a perigos de esmagamento, impacto, cortes, abrasões e calor. Use luvas apropriadas para proteger suas mãos.
- Os operadores e pessoal de manutenção devem ser fisicamente capazes de manejar o volume, peso e potência da ferramenta.
- Segure a ferramenta corretamente; esteja pronto a contrariar movimentos normais ou repentinos, e tenha sempre as duas mãos disponíveis.
- Mantenha as empunhaduras de ferramentas secas, limpas e sem óleo e graxa.
- Tenha uma posição do corpo equilibrada e com os pés bem pousados durante a operação da ferramenta.
- Solte o mecanismo de partida-e-parada no caso de interrupção em a alimentação hidráulica.
- Use somente lubrificantes recomendados por o fabricante.
- Deve-se evitar o contato com o fluido hidráulico. Para minimizar a possibilidade de erupções, tome cuidado para lavar o local cuidadosamente se o contato ocorrer.
- As Fichas de Especificações de Segurança do Material para todos os óleos e lubrificantes hidráulicos estão disponíveis em seu fornecedor local da ferramenta a pedido.
- Evite posturas não apropriadas, porque essas posições não permitem contrariar movimentos normais ou repentinos da ferramenta.
- Se a ferramenta está fixa a um mecanismo de suspensão, se certifique que a fixação é segura.
- Tenha cuidado com o risco de esmagamento se o equipamento do nariz não estiver montado.
- NÃO OPERE a ferramenta sem o invólucro do nariz.
- Antes de operar a ferramenta, os seus operadores precisam limpar as mãos adequadamente.
- Ao transportar a ferramenta de um lugar a outro, mantenha as mãos afastadas do gatilho para evitar um acionamento acidental.
- NÃO derrube a ferramenta ou a use como martelo.
- Tome cuidado para assegurar que os mandris gastos não se tornem um perigo.

1.4 PERIGOS DE MOVIMENTOS REPETITIVOS

- Quando estiver usando a ferramenta, o operador pode experimentar algum desconforto em suas mãos, braços, ombros, pescoço ou outras partes do corpo.
- Quando estiver usando a ferramenta, o operador deve adotar uma postura confortável ao mesmo tempo que tem os pés bem colocados e evitar posturas desajeitadas ou sem equilíbrio. O operador deve mudar sua postura durante tarefas longas; isso pode ajudar a evitar desconforto e fadiga.
- Se o operador sente sintomas como desconforto, dor, dor latejante, zumbido, dormência, sensação de queimadura ou rigidez, persistente ou recorrente, não deve ignorar esses sinais de aviso. O operador deve informar o empregador e consultar um profissional de saúde.

1.5 PERIGOS DE ACESSÓRIOS

- Desconecte a ferramenta da alimentação hidráulica e elétrica antes de montar ou remover o conjunto ou acessório do nariz.
- Use somente tamanhos e tipos de acessórios e consumíveis recomendados por o fabricante da ferramenta; não use outros tipos ou tamanhos de acessórios ou consumíveis.

1.6 PERIGOS NO LOCAL DE TRABALHO

- Escorregar, tropeçar e quedas são as causas principais de ferimentos no local de trabalho. Tenha cuidado com superfícies deslizantes causadas por o uso da ferramenta e também de perigo de tropeçar causado por as linhas de ar e tubos hidráulicos.

- Em ambientes que não conhece proceda com cuidado. Pode ter perigos escondidos, como linhas de eletricidade e outros serviços.
- A ferramenta não serve para usar em ambientes potencialmente explosivos e não está isolada contra contato com energia elétrica.
- Se certifique que não tem cabos elétricos, tubos de gás, etc. que possam causar um perigo se danificado por a ferramenta.
- Vista-se adequadamente. Não use roupas largas ou jóias. Mantenha cabelos, roupas e luvas longe das peças móveis. Roupas largas, jóias ou cabelos longos podem ficar presos nas peças móveis.
- Tome cuidado para assegurar que os mandris gastos não se tornem um perigo.

1.7 PERIGOS DE RUÍDO

- Exposição a altos níveis de ruído pode causar perda de audição permanente e outros problemas, como tinnitus (sons ressoantes, zumbidos, assobios ou zunidos nos ouvidos). Por isso, a avaliação de risco e implementação de controles apropriados para esses perigos é essencial.
- Controles apropriados para reduzir esse risco podem incluir ações como materiais silenciadores para prevenir ruído sonante das peças de trabalho.
- Use proteção auricular de acordo com as instruções do empregador e como exigido por as regulações de saúde e segurança no trabalho.
- Opere e mantenha a ferramenta como recomendado em o Manual de Instruções, para evitar um aumento desnecessário do nível de ruído.

1.8 PERIGOS DE VIBRAÇÃO

- Exposição a vibração pode causar lesões incapacitantes para os nervos e circulação de sangue nas mãos e braços.
- Use roupa quente se estiver trabalhando no exterior no frio e mantenha suas mãos quentes e secas.
- Se você experimentar dormência, zumbido, dor ou descoloração da pele em os dedos das mãos e mãos, pare de usar a ferramenta, informe seu empregador e consulte um médico.
- Sempre que possível, apóie o peso da ferramenta em um suporte, tensionador ou balanceador, porque assim pode usar um toque mais leve para suportar a ferramenta.

1.9 INSTRUÇÕES ADICIONAIS DE SEGURANÇA PARA FERRAMENTAS HIDRÁULICAS

- O ar de alimentação operacional não deve exceder 550 bar (8000 PSI).
- Óleo sob pressão pode causar ferimentos graves.
- Não monte tubos hidráulicos flexíveis com classificação inferior a 700 bar (10.000 PSI) de pressão operacional a uma taxa de fluxo de 2,73 l/min (200 pol 3/min).
- Nunca deixe a ferramenta funcionando sozinha. Desconecte a mangueira hidráulica e o cabo elétrico da unidade da bomba quando a ferramenta não está sendo usada, antes de trocar acessórios ou antes de começar reparações.
- Tubos chicoteando pode causar ferimentos graves. Sempre verifique se os tubos ou fixações têm danos ou estão frouxos.
- Antes do uso, inspecione as mangueiras hidráulicas por danos, todas as conexões hidráulicas devem estar limpas, totalmente engatadas e fixadas antes da operação. Não deixe cair objetos pesados nas mangueiras. Um forte impacto pode causar danos internos e levar a avarias precoces da mangueira.
- Sempre que sejam usados acoplamentos de flexão-torção (acoplamento de garra), deve instalar pinos de trava e controle se é necessário usar cabos de segurança para proteger contra possíveis falhas de conexão entre tubo-ferramenta ou tubo-tubo.
- NÃO use tubos ou cabo elétrico para elevar a ferramenta. Sempre utilize a empunhadura da ferramenta.
- NÃO puxe nem mova a unidade da bomba hidráulica usando os tubos. Sempre use a empunhadura ou caixa com rodas da unidade da bomba.
- Não deixe que o sistema hidráulico da ferramenta fique sujo ou com outros materiais, pois isso pode causar um funcionamento incorreto.
- Use apenas óleo e equipamento de abastecimento limpo.
- Apenas os fluidos hidráulicos recomendados podem ser usados.
- As unidades elétricas exigem um fluxo livre de ar para fins de refrigeração e, portanto, devem ser posicionadas em uma área bem ventilada livre de fumaça perigosa.
- Temperatura máxima do fluido hidráulico na entrada é de 110°C (230°F).

A política da STANLEY Engineered Fastening tem como objetivo a melhoria e o desenvolvimento contínuos dos produtos. Assim, reservamo-nos o direito de alterar as especificações de qualquer produto sem aviso prévio.

2. ESPECIFICAÇÕES

2.1 USO PRETENDIDO

A Ferramenta de Instalação AV™ 30 é principalmente um conjunto de pistão e cilindro. Quando acoplado elétrica e hidráulicamente a uma fonte de energia hidráulica compatível e o conjunto do nariz relevante, é usada para instalar 1/2" a 5/8" Avbolt® e 1/2" a 3/4" Avdelok® XT em Ambientes Industriais.

A ferramenta de aplicação e a unidade da bomba hidráulica pode ser usada somente de acordo com as instruções operacionais para aplicação de rebites estruturais Stanley Engineered Fastening.

Consulte a tabela abaixo para ver a lista de fixadores aplicáveis e o equipamento do nariz associado. Consulte as fichas de dados listadas na tabela para ver as instruções do conjunto de nariz relevante.

NÃO use na presença de umidade ou de gases e líquidos inflamáveis.

FIXADORES		CONJUNTO DO NARIZ			CONJUNTO DO NARIZ FOLHA DE DADOS
TIPO	TAMANHO	NÚMERO DE PEÇA	DIM. 'A'	DIM. 'B'	NÚMERO DE PEÇA
AVBOLT®	1/2"	73412-03600	113 mm	43 mm	07900-00905
	5/8"	73412-03400	113 mm	52 mm	07900-00905
AVDELOK® XT	1/2"	73412-03100	113 mm	43 mm	07900-00919
	5/8"	73412-03200	115 mm	48 mm	07900-00919
	3/4"	73412-03300	134 mm	56 mm	07900-00919

*Conjunto do nariz com liberação da garra.

Consulte a ilustração na página 82 para ver a identificação das dimensões do conjunto do nariz 'A' e 'B'.

As instruções de segurança têm de ser sempre seguidas.

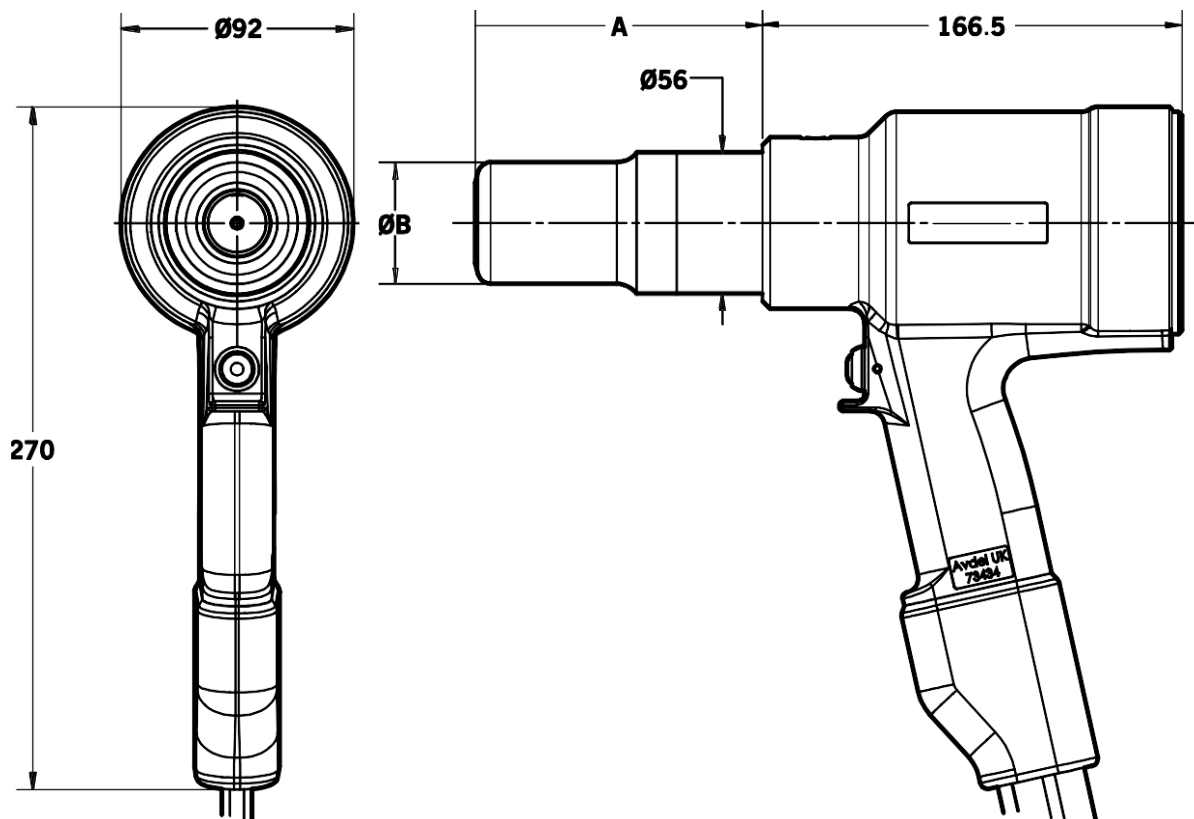
2.2 ESPECIFICAÇÃO DA FERRAMENTA

	ESPECIFICAÇÃO	MÉTRICO	IMPERIAL
Força:	Tração na pressão de tração declarada	175,0kN	39341,0 lbf
	Empurrar para fora na pressão de retorno declarada	80,0kN	17985,0 lbf
Pressão:	Tração	510 bar	7397 PSI
	Retorno	200 bar	2901 PSI
Curso:	Curso do pistão	41,0 mm	1.61 in
Peso:	Sem o nariz	6,9 kg	15,3 lb
Óleo hidráulico:	Óleo hidráulico Enerpac® – HF-95X		
Linha de Produtos:	Avbolt®	12,7 a 15,9 mm	1/2 a 5/8 pol
	Avdelok® XT	12,7 a 19,1 mm	1/2 a 3/4 pol
Características Adicionais:	Ejeção de vapor – Dianteira ou traseira	Frente	
	Esquema do vedante	Aba e vedante de escovas	
	Anéis de rolamento hidráulico	Sim - Frente	
	Empunhadura protetora / Porta de mangueira	Sim	
	Proteção da mangueira	Sim	
	Grampos de retenção de mangueira / cabo	Sim	

Valores de ruído determinados de acordo com o teste de ruído do código ISO 15744 e ISO 3744.		AV30
Nível acústico ponderado A dB(A), L_{WA}	Incerteza de ruído: $k_{WA} = 3,0$ dB(A)	94,3 dB(A)
Emissão de som com Nível acústico ponderado A na estação de trabalho dB(A), L_{pA}	Incerteza de ruído: $k_{pA} = 3,0$ dB(A)	83,3 dB(A)
Nível de pressão de som com emissão de pico com ponderado C cN(C), L_{pC} pico	Incerteza de ruído: $k_{pC} = 3,0$ dB(C)	128,1 dB(C)

Valores de vibração determinados de acordo com o teste de ruído do código ISO 20643 e ISO 5349.		AV30
Nível de emissão de vibração, a_{hd} :	Incerteza de vibração: $k = 0,48$ m/s ²	0,952 m/s ²
Valores de emissão de vibração declarados de acordo com EN 12096		

2.3 DIMENSÕES DA FERRAMENTA



Todas as dimensões são mostradas em milímetros.

Consulte a tabela na página 81 para ver as dimensões do conjunto do nariz 'A' e 'B'.

A ferramenta é ajustada com duas mangueiras hidráulicas e um cabo de controle elétrico de 0,6 m de comprimento. Se pode encomendar separadamente tubos hidráulicos adicionais e extensões de cabo ao comprimento conforme necessário. Consulte a tabela abaixo para ver os comprimentos de conjuntos de tubos disponíveis e números de peça associados.

CONJUNTO DE TUBOS HIDRÁULICOS	
NÚMERO DE PEÇA	COMPRIMENTO DO TUBO
07008-00448	5 metros
07008-00449	10 metros
07008-00450	15 metros

3. COLOCAR EM SERVIÇO

3.1 PRINCÍPIO DA OPERAÇÃO

IIIMPORTANTE - LEIA ATENTAMENTE AS REGRAS DE SEGURANÇA NAS PÁGINAS 78 – 80 E O MANUAL DE INSTRUÇÕES DA UNIDADE DA BOMBA ANTES DE COLOCAR EM SERVIÇO.

Quando os tubos e o cabo de controle estiverem conectados à unidade da bomba hidráulica Avdel®/Enerpac®, os ciclos de tração e retorno da ferramenta são controlados ao pressionar e soltar o gatilho localizado na empunhadura.

Depois de pressionar o interruptor, a válvula solenóide localizada na unidade da bomba é energizada e dirige o fluxo de óleo pressurizado para o lado de tração do pistão da ferramenta de colocação. Isso também permite que o óleo em o lado do retorno da ferramenta de colocação retorne ao reservatório.

Durante o ciclo de tração, o conjunto do pistão/pinça se move na direção da parte de trás da ferramenta, permitindo que a almofada tipo anel O empurre o seguidor e garras para a frente. Se tem um rebite pino inserido no conjunto do nariz, as garras agarram o rebite e o conjunto inicia.

Para Avbolt® e Avdelok® XT, o ciclo da instalação vai primeiro agarrar a junção a ser rebitada, e em seguida conforme a bigorna continuar a se mover em frente, o anel fica fixo em as estrias de trava do pino. No final do ciclo de fixação, a bigorna vai contra a junção e conforme o movimento vai continuando, a ponta do rebite é cortado.

Se deve soltar o interruptor do gatilho logo depois de ocorrer uma quebra de pino. Se soltar o interruptor do gatilho vai desenergizar a solenóide e inverter o fluxo do óleo pressurizado.

Se não soltar o gatilho, o pistão da ferramenta de colocação vai continuar a se mover para a parte de trás da ferramenta até atingir o final de seu curso. A pressão no lado da tração vai aumentar até a atingir o valor de "Alta Pressão" pré-configurado na bomba. A esse ponto, a válvula solenóide desenergiza automaticamente e inverte o fluxo do óleo pressurizado para o lado do retorno da ferramenta de colocação.

Em qualquer caso, o óleo pressurizado vai fluir para o lado de retorno da ferramenta de colocação, com o óleo no lado da tração voltando para o reservatório.

O movimento em frente do conjunto do pistão/pinça ejetam o rebite instalado da bigorna.

Quando estiver soltando o gatilho, ou quando atingir o valor de 'Alta Pressão', a válvula solenóide desenergiza e ativa um 'Relógio de Retorno' pré-configurado. Esse controla o tempo que o motor da bomba vai continuar funcionando antes de mudar para modo de ralenti. O relógio pode ser manualmente definido entre 5 e 20 segundos para assegurar que o pistão da ferramenta de colocação sempre retorna totalmente para a posição em frente (consulte o manual da bomba 07900-01030, páginas 10 e 13).

Quando o pistão volta para a posição toda em frente, a pressão aumenta para o valor de pressão pré-definido - c200bar. O motor da bomba vai continuar funcionando até o Relógio de Retorno expirar. Depois de esse período de tempo, o motor pára automaticamente e a válvula passa para posição de ralenti. A válvula solenóide passa automaticamente a operar para liberar óleo pressurizado para o reservatório, do lado de tração e do lado de retorno da ferramenta de colocação.

Isso mantém a ferramenta de colocação em sua posição para a frente. Não tem pressão presente em o sistema hidráulico neste ponto.

A unidade da bomba hidráulica inicializa automaticamente quando pressionar no interruptor do gatilho da ferramenta.

3.2 PREPARAÇÃO PARA USO

CUIDADO - PRESSÕES DE TRAÇÃO E RETORNO CORRETAS SÃO IMPORTANTES PARA UM FUNCIONAMENTO APROPRIADO DA FERRAMENTA. LESÕES CORPORAIS OU DANOS AO EQUIPAMENTO PODEM OCORRER QUANDO NÃO HOUVER PRESSÕES CORRETAS. AS PRESSÕES DE TRAÇÃO E RETORNO FORNECIDAS POR A UNIDADE DA BOMBA HIDRÁULICA NÃO PODEM EXCEDER AS PRESSÕES LISTADAS NAS ESPECIFICAÇÕES DA FERRAMENTA DE COLOCAÇÃO.

IMPORTANTE - ANTES DE COLOCAR EM SERVIÇO A FERRAMENTA DE COLOCAÇÃO E O CONJUNTO DE TUBOS HIDRÁULICOS:

SE CERTIFIQUE QUE AS VÁLVULAS DE DESCARGA DE PRESSÃO DA BOMBA FORAM CONFIGURADAS DE ACORDO COM AS INSTRUÇÕES DA BOMBA E AS PRESSÕES MÁXIMAS ESPECIFICADAS PARA A FERRAMENTA DE COLOCAÇÃO E TUBOS.

SE CERTIFIQUE QUE O CONJUNTO DE TUBOS ESTÁ CHEIO COM FLUÍDO HIDRÁULICO DE ACORDO COM O PROCEDIMENTO NO MANUAL DE INSTRUÇÕES DA BOMBA 07900-01030.

- Certifique-se que o fornecimento de corrente elétrica para a bomba hidráulica está desligado.
- Conecte os acoplamentos dos tubos hidráulicos da ferramenta de colocação diretamente na bomba, antes de conectar o cabo de controle elétrico. Ligue os tubos e cabo de controle por essa ordem e desconecte por a ordem inversa.
- Ligue o fornecimento de corrente elétrica para a unidade da bomba hidráulica. Aguarde 5 segundos para a unidade da bomba para completar a seqüência de inicialização, antes de pressionar o interruptor do gatilho. Quando tudo estiver pronto, a tela LCD em a unidade da bomba exibe 'AVDEL'
- Durante a seqüência de inicialização, o sistema de controle da bomba identifica operações do gatilho como potenciais avarias e não permite a partida do motor. A tela LCD exibe 'FALHA EM BOTÃO' em esse caso. Desligue a alimentação de energia durante 10 segundos para repôr.
- Se certifique que a ferramenta de colocação está posicionada por baixo dos tanques reservatórios da bomba. Pressione e solte o interruptor do gatilho da ferramenta de colocação algumas vezes até quase o curso completo da ferramenta, para circular fluído hidráulico e expelir ar da ferramenta.
- Observe a ação da ferramenta. Verifique se tem vazamento de fluído e se certifique que em modo ralenti o pistão está em sua posição toda para a frente. A ferramenta de colocação está agora pronta.
- Desligue a alimentação de energia elétrica para a unidade da bomba hidráulica e em seguida desligue a ferramenta de colocação da unidade da bomba em ordem inversa do que está descrito acima.
- Agora, ligue a ferramenta de colocação ao conjunto de tubo hidráulico preparado e cabo de controle elétrico. Em seguida conecte os acoplamentos rápidos do conjunto de tubo hidráulico e o cabo de controle elétrico na unidade da bomba.
- Fixe o conjunto do nariz na ferramenta conforme as instruções na ficha de dados do conjunto do nariz relevante.
- Ligue o fornecimento de corrente elétrica para a unidade da bomba hidráulica conforme descrito supra.
- Pressione e solte o interruptor do gatilho da ferramenta de colocação algumas vezes até quase o curso completo da ferramenta, para circular fluído hidráulico.
- Agora a ferramenta está pronta para funcionar.

4. INSTRUÇÕES OPERACIONAIS

4.1 COMO INSTALAR UM REBITE AVBOLT®

- Verifique seu funcionamento e remova intervalo de espaço excessivo. (Esse intervalo é o espaço entre os componentes da junção. O espaço é excessivo se não tem comprimento suficiente da ponta saindo do anel para que as garras do conjunto do nariz possam segurar).
- Coloque um rebite Avbolt® no furo.
- Empurre o conjunto do nariz para o pino até a bigorna do conjunto do nariz estar contra o anel. A ferramenta e o conjunto do nariz devem estar a ângulos retos (90°) em relação ao trabalho.
- Pressione o interruptor do gatilho da ferramenta para iniciar o ciclo de instalação.
- Quando o movimento em frente da bigorna do conjunto do nariz pára e a ponta foi cortada, solte o gatilho. A ferramenta vai para seu curso de retorno e empurra o rebite instalado para fora. No final do curso de retorno, as garras liberarão parcialmente a ponta expandida, que pode ser removida inclinando o nariz da ferramenta para baixo.
- Depois de o rebite instalado ter sido ejetado, a ferramenta e o conjunto do nariz estão prontos para a instalação seguinte.

4.2 COMO INSTALAR REBITES AVDELOK® XT

- Verifique seu funcionamento e remova intervalo de espaço excessivo. (Esse intervalo é o espaço entre os componentes da junção. O espaço é excessivo se não tem comprimento suficiente da ponta saindo do anel para que as garras do conjunto do nariz possam segurar).
- Coloque um rebite Avdelok® XT no furo.
- Deslize o anel Avdelok® XT por cima do pino. (A ponta chanfrada do anel deve estar virada para o conjunto do nariz e ferramenta).
- Empurre o conjunto do nariz para o pino até a bigorna do conjunto do nariz estar contra o anel. A ferramenta e o conjunto do nariz devem estar a ângulos retos (90°) em relação ao trabalho.
- Pressione o interruptor do gatilho da ferramenta para iniciar o ciclo de instalação.
- Quando o movimento em frente da bigorna do conjunto do nariz pára e a ponta foi cortada, solte o gatilho. A ferramenta vai para seu curso de retorno e empurra o rebite instalado para fora. No final do curso de retorno, as garras liberarão parcialmente a ponta expandida, que pode ser removida inclinando o nariz da ferramenta para baixo.
- Depois de o rebite instalado ter sido ejetado, a ferramenta e o conjunto do nariz estão prontos para a instalação seguinte.

CUIDADO - NÃO TENDE QUEBRAR UMA PONTA SEM A INSTALAÇÃO DE UM ANEL; ISSO PODE CAUSAR QUE A PARTE NÃO FIXADA DA PONTA AVDELOK® OU AVBOLT® PARA EJETAR DO NARIZ A ALTA VELOCIDADE E FORÇA.

5. MANUTENÇÃO DA FERRAMENTA

IMPORTANTE - LEIA AS INSTRUÇÕES DE SEGURANÇA NAS PÁGINAS 78 - 80. O EMPREGADOR É RESPONSÁVEL POR CERTIFICAR QUE AS INSTRUÇÕES DE MANUTENÇÃO DA FERRAMENTA SÃO ENTREGUES AO PESSOAL APROPRIADO. O OPERADOR NÃO DEVE ESTAR ENVOLVIDO EM A MANUTENÇÃO OU REPARAÇÃO DA FERRAMENTA, EXCETO SE TEM O TREINAMENTO ADEQUADO. A FERRAMENTA DEVE SER EXAMINADA REGULARMENTE POR DANOS E MAU FUNCIONAMENTO.

5.1 MANUTENÇÃO DIÁRIA

- Verifique se a ferramenta de colocação, tubos e acoplamentos rápidos tem vazamento de óleo.
- Se deve substituir tubos e acoplamentos com dano ou gasto.
- Verifique se o curso da ferramenta atende à especificação.
- Verifique se o defletor de haste está instalado.
- Verifique se a válvula de descarga de pressão de tração / avanço da bomba está funcionando corretamente.
- Verifique se a bigorna tem gasto, com marcas de estrias no anel instalado. Também pode confirmar isso consultando os dados instalados no catálogo do rebite. Gasto excessivo pode causar rutura na bigorna.

5.2 MANUTENÇÃO SEMANAL

- Desmonte e limpe o conjunto do nariz especialmente as garras como descrito na Ficha de Dados do Conjunto do Nariz.
- Verifique se tem vazamento de óleo na ferramenta de colocação, tubos e acoplamentos rápidos

CUIDADO - Nunca use solventes ou outros produtos químicos para a limpeza das partes não metálicas da ferramenta. Esses produtos químicos podem enfraquecer os materiais utilizados nestas partes.

5.3 MANUTENÇÃO ANUAL / CADA 150.000 HORAS DE OPERAÇÃO

- A cada 150.000 ciclos a ferramenta deve ser totalmente desmontada e usar novos componentes para substituir os gastos, danificados ou conforme recomendado. Todos os anéis O, anéis de reserva e vedantes devem ser substituídos e lubrificados com graxa MolyKote® 111 antes de montar.

5.4 CONJUNTO DE MANUTENÇÃO

Para ter um serviço completo, tem o seguinte Conjunto de Manutenção disponível:

CONJUNTO DE MANUTENÇÃO: 73432-99990			
NÚMERO DE PEÇA	DESCRIÇÃO	NÚMERO DE PEÇA	DESCRIÇÃO
07005-10118	Acoplamento Rápido - Macho	07900-00972	AV30 Glândula Frontal Haste Guia
07005-10120	Acoplamento Rápido - Fêmea	07900-00963	AV30 Casquilho do Guia do Pistão
07900-00958	Tampa Extremidade Caixa da Ferramenta	07992-00020	Graxa – MolyLithium EP3753
07900-00969	AV30 Casquilho do Vedante do Pistão	07900-00755	Graxa – Molykote® 111
07900-00970	AV30 Êmbolo do Vedante de Pistão	07900-00756	Loctite® 243 Fixador de Rosca
07900-00971	AV30 Bala do Pistão - Frontal		

5.5 FERRAMENTAS DE MANUTENÇÃO

Também são necessárias as seguintes ferramentas padrão:

- Chave Allen: 2,0/ 3,0 mm
- Chave de bocas plana: 12 / 14 / 18 / 24 / 45 mm A/F
- Fita PTFE: 10 mm
- Torno técnico com proteção de garra – 150 mm

5.6 ÓLEO HIDRÁULICO

CUIDADO– Use somente óleo hidráulico Enerpac® HF – o uso de qualquer outro óleo pode causar avaria na ferramenta de colocação e bomba e invalida a garantia da ferramenta de colocação.

O óleo hidráulico está disponível para encomendar com os seguintes números de peça.

ÓLEO HIDRÁULICO			
NÚMERO DE PEÇA	07992-00081	07992-00082	07992-00083
Enerpac® Número de Peça	HF-95X	HF-95Y	HF-95T
Volume	1 Litro	5 Litros	20 Litros
Viscosidade	32 mm ² /s	32 mm ² /s	32 mm ² /s

5.7 INSTRUÇÕES PARA DESMANTELAMENTO

IMPORTANTE - SE CERTIFIQUE QUE O FORNECIMENTO DE CORRENTE ELÉTRICA PARA A UNIDADE DA BOMBA HIDRÁULICA ESTÁ DESLIGADO ANTES DE RETIRAR O CONJUNTO DO NARIZ OU DESMANTELAR A FERRAMENTA DE COLOCAÇÃO.

Antes de Desmantelar:

- Desacople os Acopladores Rápidos **10** e **11** e o Cabo de Controle elétrico **14** entre a ferramenta de colocação e o Conjunto de Tubos Hidráulicos.
- Retire o conjunto do nariz da ferramenta conforme as instruções na ficha de dados do conjunto do nariz relevante.
- Substâncias possivelmente perigosas que podem ser depositadas na máquina como resultado dos processos de trabalho devem ser removidas antes da manutenção.

Para manutenção completa da ferramenta, aconselhamos que você proceda com o desmantelamento da ferramenta seguindo a ordem descrita nas páginas da seção 87 a 89. Depois de desmantelar a ferramenta, recomendamos que substitua os vedantes.

Conjunto do Pistão Principal:

- Usando uma chave de parafuso pequena plana, remova o Pino **41** do Adaptador da Pinça **40**.
- Desaperte os parafusos e remova o Adaptador de Pinça **40** do Pistão **1**.
- Aperte a empunhadura da ferramenta em um torno com garras macias com a ferramenta com o nariz apontando para baixo.
- Ligue o *Acoplamento Rápido - Macho de reserva ao Acoplamento Rápido - Fêmea **11** no Tubo Hidráulico - Retorno **18**. Isso vai liberar qualquer pressão do lado do retorno do pistão **1** e facilitar remover a tampa de extremidade **17**.
- Inserir a Tampa Extremidade da Caixa da Ferramenta em a Tampa de Extremidade **17**.
- Usando uma chave 24 mm A/F, desaperte e remova a Tampa de Extremidade **17**, da Caixa **2**.
- Usando uma chave de parafuso pequena plana, remova Anel O **21** da Tampa de Extremidade **17** e descarte.
- Usando uma chave de parafuso pequena plana, remova Anel O **30** e o Anel Espiral Reserva **36**, da estria externa em a Tampa da Extremidade **17** e descarte. Depois de remover os vedantes, tenha cuidado para não danificar a superfície da Tampa de Extremidade com a chave de parafuso.
- Remova a ferramenta de colocação do torno e esvazie o óleo hidráulico da parte de trás da ferramenta. Remova o Acoplamento Rápido - Macho de reserva do Acoplamento Rápido - Fêmea **11**.
- Ligue o *Acoplamento Rápido - Fêmea de reserva ao Acoplamento Rápido - Macho **10** no Tubo Hidráulico - Tração **19**. Isso vai liberar a pressão do lado de tração do pistão **1** e facilitar remover o pistão **1**.
- Aparafuse a *Bala de Pistão - Frontal na frente do Pistão **1**.
- Coloque a Caixa **2** com o nariz para cima em uma bancada de serviço. Em seguida use um martelo macio, bata no Pistão **1** na direção da Caixa e para fora na parte de trás; tenha cuidado para não danificar o furo da Caixa.
- Note que quando remover o Pistão **1**, o óleo em o lado da tração do Pistão vai vazar da parte frontal para a traseira da Caixa **2**.
- Quando remover o Pistão **1**, a Glândula do Vedante Frontal **15** pode ficar presa no eixo do Pistão. Nesse caso, desaperte a *Bala do Pistão - Frontal e puxe a Glândula do Vedante Frontal para fora do Pistão.
- O Vedante de Pistão **26** é um vedante de 2 peças, consistindo de um anel exterior de vedação e um anel O interior. Usando uma faca pequena, corte através do anel de vedante e remova da estria exterior do Pistão **1**. Em seguida, use uma chave de parafuso pequena plana para remover o anel O interior do Pistão, e descartar. Depois de remover os vedantes, tome cuidado para não danificar a superfície do Pistão.
- Se a Glândula do Vedante Frontal **15** ficar presa em a Caixa **2**. Coloque a Caixa com o nariz para cima em uma bancada e em seguida empurre a Glândula do Vedante Frontal a partir da frente até se liberar do encaixe na Caixa. Pode agora

Todos os números em **negrito** se referem ao Conjunto Geral e Lista de Peças em as páginas 90, 91 e 92.

*Conjunto de manutenção na página 86.

remover a Glândula do Vedante Frontal por trás da Caixa. Tenha cuidado para não danificar o furo no interior da Caixa quando fizer isso.

- Usando uma chave de parafuso pequena plana, remova Anel O **23** e o Anel Espiral Reserva **34**, da estria externa na Glândula do Vedante Frontal **15** e descarte. Depois de remover os vedantes, tenha cuidado para não danificar a superfície da Glândula do Vedante Frontal com a chave de parafuso.
- Remova o Vedante do Tirante **25** e Vedante de Escovas **22**, das estrias internas da Glândula do Vedante Frontal **15** e descarte. Depois de remover os vedantes, tenha cuidado para não danificar a superfície da Glândula do Vedante Frontal com a chave de parafuso.
- Remova o Anel de Rolamento Frontal **24** e verifique se a peça tem gasto ou dano. Descarte se necessário.
- Usando uma chave de parafuso pequena plana, remova Anel O **21** da Caixa **2** e descarte.
- Remova o *Acoplamento Rápido - Fêmea de reserva ao Acoplamento Rápido - Macho **10** no Tubo- Tração **19**.
- Não remova o parafuso fêmea **42** da Caixa **2**.

Monte pela ordem inversa de desmontelar anotando os pontos seguintes:

- Limpe todos os componentes antes de montar.
- Para ajudar a montar os vedantes, aplique uma cama fina de graxa Molykote® 111 em todos os vedantes, estrias de vedantes, anéis de reserva e ferramentas de montagem.
- Deslize o Anel O **23** por cima da Glândula do Vedante Frontal **15** e para dentro da estria externa. Insira o Anel Espiral Reserva **34** em a mesma ranhura, em frente ao anel O instalado. Consulte a Montagem Geral e Lista de Peças para conhecer a orientação correta do Anel O e do Anel Espiral Reserva.
- Pressione o Anel de Rolamento Frontal **24** em o encaixe interior da Glândula do Vedante Frontal **15** e em seguida instale o Vedante de Tirante **25** por trás do Anel de Rolamento Frontal. Instale o Vedante de Escovas **22** em o encaixe da frente da Glândula do Vedante Frontal. Consulte Montagem Geral para se certificar que o Vedante de Tirante e o Vedante de Escovas tem a orientação correta.
- Lubrifique a superfície e bordo de alimentação do furo da Caixa **2** em que vai ser instalada a Glândula do Vedante Frontal **15** com graxa Molykote® 111.
- Lubrifique a cavilha na ferramenta do *Tirante Guia da Glândula Frontal **15**, Vedante de Tirante, **25** extremidade primeiro, totalmente por cima da cavilha. Insira o *Tirante Guia da Glândula Frontal na traseira da Caixa **2** e em seguida empurre a Glândula do Vedante Frontal totalmente no furo no interior da Caixa. É necessário usar força razoável para inserir a Glândula do Vedante Frontal na Caixa, por isso pode ser preciso usar um torno. Remova o *Tirante Guia da Glândula Frontal ao mesmo tempo que se certifica que a Glândula do Vedante Frontal fica em seu lugar.
- Lubrifique a ranhura do vedante e o diâmetro grande externo do Pistão **1** com graxa Molykote® 111. Deslize o Vedante de Pistão **26** por cima do diâmetro grande do Pistão e depois em a ranhura do vedante.
- Aparafuse a *Bala de Pistão em o Pistão **1**. Coloque o *Casquilho do Vedante de Pistão por cima do veio do pistão e em seguida, coloque o anel vedante exterior do Vedante de Pistão **26** por cima do *Casquilho do Vedante de Pistão, para que fique pousado em o diâmetro cônico. Lubrifique a superfície do *Casquilho de Vedante de Pistão com graxa Molykote® 111.
- Coloque o *Casquilho do Vedante de Pistão por cima do veio do Pistão **1** e do *Casquilho do Vedante de Pistão, para que a extremidade aberta do *Êmbolo do Vedante de Pistão fique pousada no anel vedante exterior do Vedante de Pistão **26**. Usando o *Êmbolo do Vedante de Pistão, empurre o anel vedante exterior por cima do *Casquilho do Vedante de Pistão e em a estria do Vedante de Pistão. É necessário usar força razoável para inserir o anel vedante exterior em o Pistão, por isso pode ser preciso usar uma prensa ou um torno.
- Remova o *Êmbolo do Vedante de Pistão e *Casquilho do Vedante de Pistão do Pistão **1**. Lubrifique a *Bala do Pistão - Frontal, eixo do Pistão e Vedante de Pistão **26** com graxa Molykote® 111.
- Aparafuse o *Casquilho Guia do Pistão totalmente para a parte de trás da Caixa **2**. Lubrifique os furos em a Caixa e no *Casquilho Guia do Pistão com graxa Molykote® 111.
- Ligue o *Acoplamento Rápido - Fêmea de reserva ao Acoplamento Rápido - Macho **10** no Tubo Hidráulico - Tração **19**. Isso vai permitir liberar o ar do lado da tração do Pistão **1** quando inserir o Pistão.
- Inserir o Pistão **1** montado em a parte de trás da Caixa **2** e através da Glândula do Vedante Frontal **15**. Empurre o Pistão para sua posição total em frente até parar contra a Glândula do Vedante Frontal. O óleo hidráulico vai ser expelido do Tubo Hidráulico- Tração **19**. É necessário usar força razoável para inserir o Pistão na Caixa, por isso pode ser preciso usar um torno.
- Remova o *Acoplamento Rápido - Fêmea de reserva ao Acoplamento Rápido - Macho **10** no Tubo- Tração **19**.
- Remova o *Casquilho Guia do Pistão da parte de trás da Caixa **2**.

Todos os números em **negrito** se referem ao Conjunto Geral e Lista de Peças em as páginas 90, 91 e 92.

*Conjunto de manutenção na página 86.

- Deslize o Anel O **30** por cima da Tampa de Extremidade **17** e para dentro da ranhura externa. Insira o Anel Espiral Reserva **36** em a mesma ranhura, por trás do anel O instalado. Consulte a Montagem Geral e Lista de Peças para conhecer a orientação correta do Anel O e do Anel Espiral Reserva.
- Pressione o Anel de Rolamento Traseiro **29** no encaixe interior da Glândula do Vedante Frontal **16** e em seguida instale o Vedante de Tirante **28** por trás do Anel de Rolamento Frontal. Instale o Vedante de Escovas **31** no encaixe de trás da Glândula do Vedante Traseiro. Consulte Montagem Geral para se certificar que o Vedante de Tirante e o Vedante de Escovas tem a orientação correta.
- Aperte a empunhadura da ferramenta em um torno com garras macias com a ferramenta com o nariz apontando para baixo.
- Lubrifique a superfície e bordo de alimentação do furo da Caixa **2** em que vai ser instalada a Glândula do Vedante Traseira **16** com graxa Molykote® 111.
- Encha a parte de trás da Caixa **2** com óleo hidráulico Enerpac® HF. O nível de óleo deve estar logo acima do furo da entrada traseira na Caixa.
- Ligue o *Acoplamento Rápido - Macho de reserva ao Acoplamento Rápido - Fêmea **11** no Tubo Hidráulico - Retorno **18**. Isso vai permitir liberar o ar do lado da retorno do Pistão **1** quando inserir a Tampa de Extremidade **17**.
- Lubrifique a rosca interna da Caixa **2** e a rosca externa da Tampa de Extremidade **17** com graxa MolyLithium.
- Insira a Tampa de Extremidade **17** em a parte de trás da Caixa **2**, tomando cuidado para não danificar o Anel O **30** e o Anel Espiral Reserva **36** em as roscas da Caixa. Aparafuse a Tampa Extremidade **17** totalmente em a traseira da Caixa usando a *Ferramenta de Tampa Extremidade Caixa. Ao fazer isso, vai ser expelida uma pequena quantidade de óleo do Tubo Hidráulico - Retorno **18**.
- Remova o *Acoplamento Rápido - Macho de reserva ao Acoplamento Rápido - Fêmea **11** no Tubo Hidráulico - Retorno **18**.
- Aparafuse o Adaptador da Pinça **40** em o Pistão **1** até a face frontal estar tocando em a extremidade do Pistão. Alinhe o furo em o Adaptador de Pinça com a ranhura na extremidade do Pistão e em seguida insira o Pino de Trava **41**.
- Prepare a ferramenta de colocação conforme descrito em Preparações para Uso na página 84.

Conjunto de tubos:

- Remova os dois Parafusos **9** de o Grampo de Tubo **13** usando uma chave Allen de 3,0mm. Remova o Grampo de Tubo e Inserção de Grampo **20** do Casquilho Protetor **37** e os Tubo Hidráulico - Retorno **18** e Tração **19**.
- Usando a chave de parafuso pequena plana separe a Empunhadura Gator **8** da empunhadura da Caixa **2**. Puxe a Empunhadura Gator por cima do Casquilho Protetor **37**, Tubo Hidráulico - Retorno **18** e Tração **19** e remova.
- Corte a abraçadeira do Cabo **35** e deslize para fora do Casquilho Protetor **37** para expor as fixações dos Tubos Hidráulicos **18** e **19**. Os Tubos Hidráulicos podem ser removidos da Caixa **2** usando chaves de 12mm e 14mm.
- Os Acoplamento Rápido - Macho **10** e Fêmea **11** podem ser removidos através dos Tubo Hidráulico **18** e **19** usando chaves de 18mm e 24mm.
- Para remover o Interruptor do Gatilho **7**, primeiro solte a Glândula do Cabo **38**, para que o Cabo de Controle **14** esteja livre para se mover dentro da Caixa **2**. Afrouxe o Parafuso do Conjunto M4 **12** usando uma Chave Allen de 2,0mm.
- Empurre o Cabo de Controle **14** na Caixa **2** e puxe simultaneamente o Gatilho de Disparo **7** para fora da Caixa para expor as articulações de solda nos terminais do Interruptor do Gatilho. Retire a solda dos terminais para remover o Interruptor de Gatilho e o Inseto do Gatilho **39**. O Inseto do Gatilho está vinculado ao Interruptor de Gatilho e não pode ser removido.
- O Cabo de Controle **14** agora pode ser puxado da Caixa **2** e removido da Casquilho Protetor **37**.

Monte pela ordem inversa de desmantelar anotando os pontos seguintes:

- Antes de montar, limpe todas as roscas em os Acoplamentos Rápidos - Macho **10** e Fêmea **11** e os Tubo Hidráulico - Retorno **18** e Retorno **19**. Em seguida, aplique duas a três camadas de fita PTFE 10mm para as roscas macho em ambos os Tubos Hidráulicos.
- Quando substituir o Gatilho de Disparo **7**, aplique *Loctite® 243 à rosca macho no Interruptor de Gatilho antes de montar o Inseto do Gatilho **39**.
- Aplique *Loctite® 243 ao Parafuso de Ajuste M4 **12** antes da montagem.
- Depois de montado, prepare a ferramenta conforme as instruções na página 84.

5.8 PROTEÇÃO AO MEIO AMBIENTE

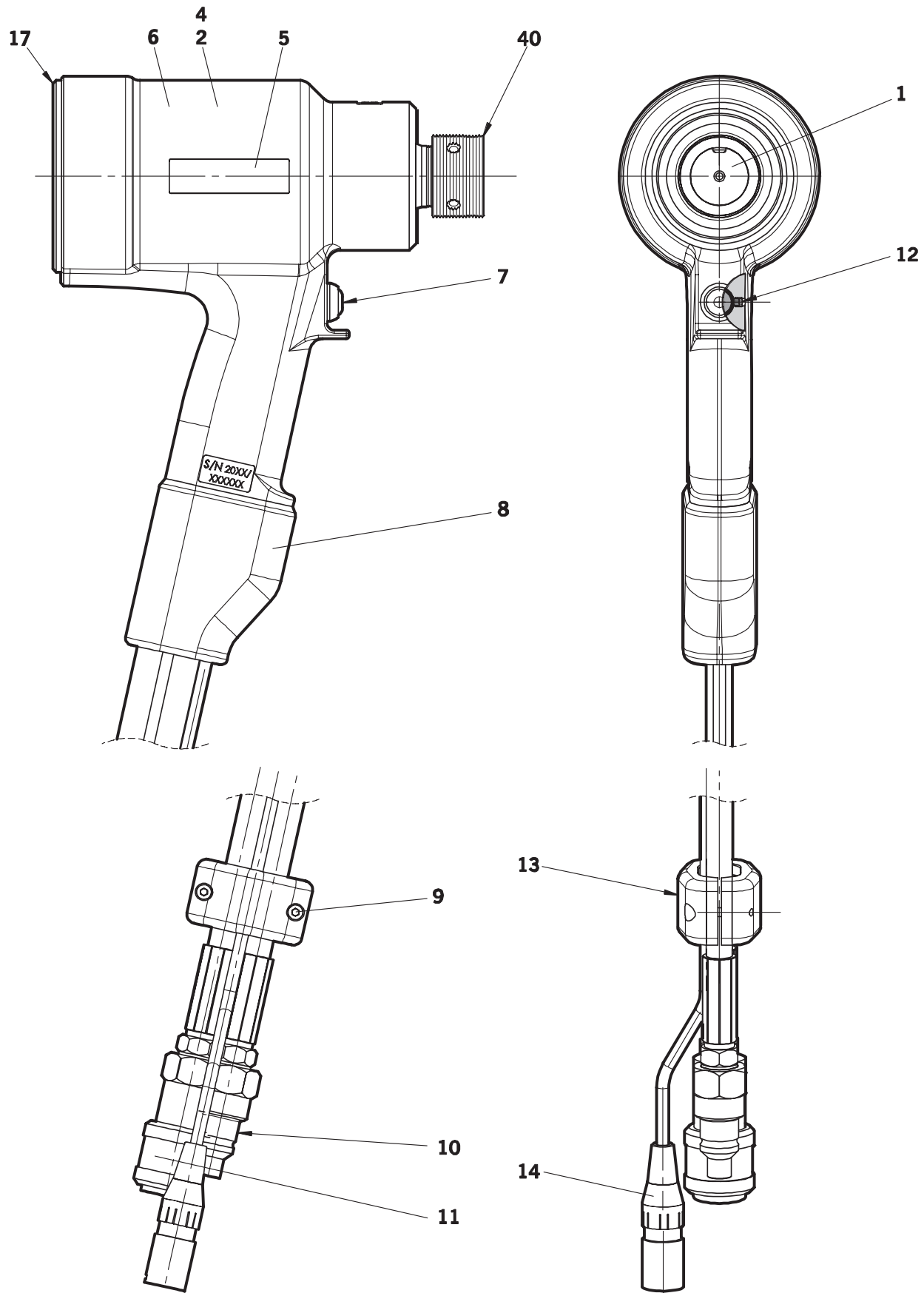
- Assegure conformidade com as regras aplicáveis de descarte. Descarte todos os produtos resíduo em uma estação ou local aprovado de resíduos para não expor o pessoal e o meio-ambiente a perigos.

Todos os números em **negrito** se referem ao Conjunto Geral e Lista de Peças em as páginas 90, 91 e 92.

*Conjunto de manutenção na página 86.

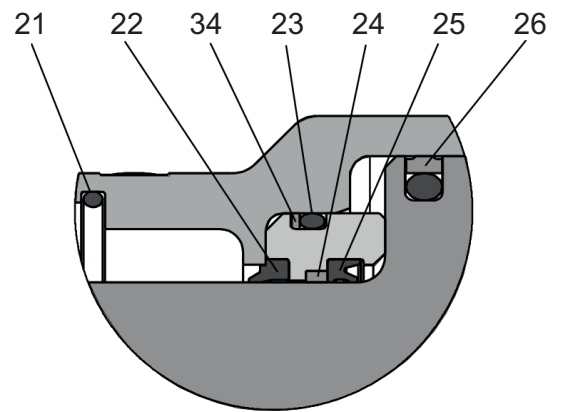
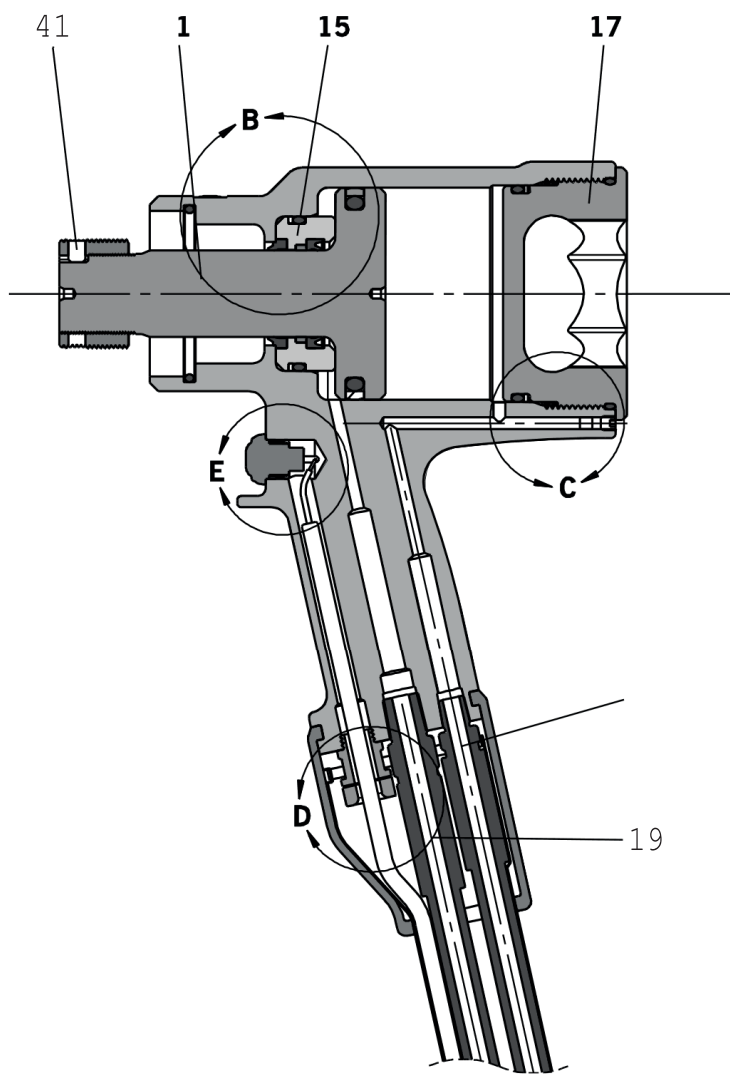
6. CONJUNTO GERAL E LISTA DE PEÇAS

6.1 CONJUNTO GERAL

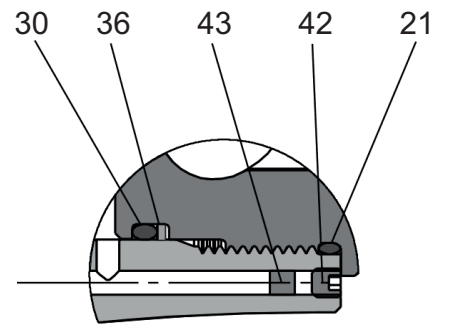


ITEM 37 PROTECTIVE SLEEVE
REMOVED FOR CLARITY

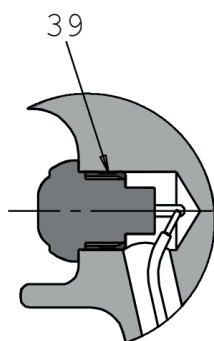
ITEM 37 PROTECTIVE SLEEVE
REMOVED FOR CLARITY



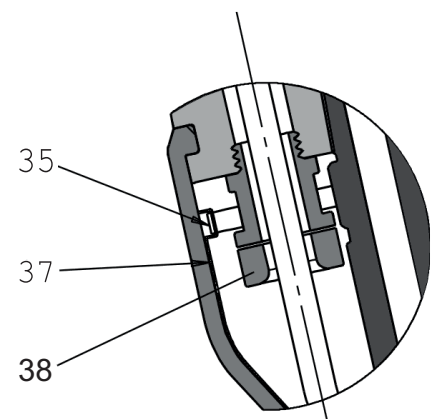
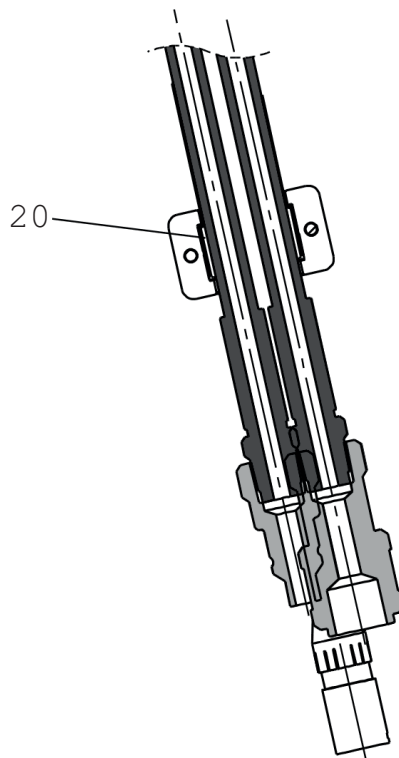
DETAIL B



DETAIL C



DETAIL E



DETAIL D

6.2 LISTA DE PEÇAS

73432-02000 Lista de peças			
ÍTEM	NÚMERO DE PEÇA	DESCRIÇÃO	QTD.
1	73434-02003	PISTÃO	1
2	73434-02001	CAIXA	1
3			
4	73425-02016	RÓTULO DE SEGURANÇA	1
5	73434-02026	RÓTULO AV30	2
6	07007-01504	RÓTULO CE E UKCA	1
7	07007-02103	INTERRUPTOR DE GATILHO	1
8	73430-02020	EMPUNHADURA GATOR	1
9	07001-00686	TAMPA DO PARAFUSO HD M4 X 16 SKT	2
10	07005-10118	ACOPLAMENTO RÁPIDO - MACHO	1
11	07005-10120	ACOPLAMENTO RÁPIDO - FÊMEA	1
12	07001-00479	PARAFUSO FÊMEA M4 X 4 SKT	1
13	73430-02023	GRAMPO DE TUBO	1
14	07007-02105	CABO DE CONTROLE	1
15	73434-02004	GLÂNDULA DO VEDANTE FRONTAL	1
16			
17	73434-02005	TAMPA FINAL	1
18	07005-10119	TUBO HIDRÁULICO - RETORNO	1
19	07005-10117	TUBO HIDRÁULICO - TRAÇÃO	1
20	73430-02024	INSERÇÃO DE GRAMPO	1
21	07003-00463	ANEL-O	2
22	07003-00452	VEDANTE DE ESCOVAS	1
23	07003-00461	ANEL-O	1
24	73434-02009	ANEL DE ROLAMENTO FRONTAL	1
25	07003-00451	VEDAÇÃO DA HASTE	1
26	07003-00453	VEDAÇÃO DO PISTÃO	1
27			
28			
29			
30	07003-00464	ANEL-O	1
31			
32			
33			
34	07003-00494	ANEL ESPIRAL RESERVA	1
35	07007-02032	ABRAÇADEIRA DE CABO	1
36	07003-00496	ANEL ESPIRAL RESERVA	1
37	07005-10121	CASQUILHO PROTETOR	0,6 m
38	07007-02104	GLÂNDULA DO CABO	1
39	73430-02008	INSERTO DO GATILHO	1
40	73434-02012	ADAPTADOR DO COLETE	1
41	73434-02013	PINO DE BLOQUEIO	1
42	07001-00481	M5 X 5 SKT PARAFUSO FÊMEA HD	1
-	07900-01022	MANUAL DE INSTRUÇÕES DA FERRAMENTA AV30	1

7. DADOS DE SEGURANÇA

7.1 ÓLEO HIDRÁULICO ENERPAC® HF - DADOS DE SEGURANÇA

PRIMEIROS SOCORROS

PELE:

É improvável que cause lesões na pele por contato rápido ou ocasional, mas a exposição prolongada pode levar a dermatite. Lave a pele cuidadosamente com água e sabão, assim que razoavelmente possível. Remova as roupas muito contaminadas e lave sob a pele.

ORAL:

É improvável que cause lesões se engolido acidentalmente em pequenas doses, embora grandes quantidades possam causar náusea e diarreia. Se ocorrer contaminação da boca, lave completamente com água. Exceto como uma ação deliberada, a ingestão de grandes quantidades de produto é improvável. Se isso ocorrer, não induza o vômito. Obtenha aconselhamento médico. Leve a pessoa para o centro médico mais próximo.

OLHOS:

É improvável que cause mais do que uma vermelhidão ou um incômodo temporário se ocorrer contato acidental com os olhos. Lave os olhos com cuidado com água em abundância, garantindo que as pálpebras sejam mantidas abertas. Obtenha aconselhamento médico se ocorrer ou em caso de persistência de vermelhidão ou dor.

AUXÍLIO MÉDICO:

O tratamento deve ser geralmente sintomático e direcionado para alívio dos efeitos.

Nota: Aplicações de alta pressão:

Injeções na pele, resultantes do contato com o produto em alta pressão, constituem uma grande emergência médica. Lesões podem não parecer graves primeiro, mas dentro de algumas horas os tecidos podem inchar, descolorir e ser extremamente doloroso com extensa necrose subcutânea.

A exploração cirúrgica deve ser realizada sem atrasos. O desbridamento completo e extenso da ferida e tecido subjacente é necessário para minimizar a perda de tecido e impedir ou limitar os danos permanentes. Observe que alta pressão pode forçar o produto a distâncias consideráveis ao longo dos planos do tecido.

DESCARTE

Remova todos os derramamentos com material absorvente. Ventile a área com derramamento. Coloque o material contaminado em um recipiente descartável e descarte de forma consistente com os regulamentos locais.

FOGO

PONTO DE IGNIÇÃO: 200°C.

Extinquir com pó seco, químico, espuma ou dióxido de carbono. Não entre em espaço confinado sem o equipamento respiratório individual.

MANUSEIO

Use creme de proteção ou luvas resistentes a óleo.

ARMAZENAMENTO

Coberto e consistente com os regulamentos locais para material inflamável.

7.2 GRAXA MOLÍLÍCIO EP 3753 - DADOS DE SEGURANÇA

Pode encomendar a graxa como um artigo único, o número de peça se encontra no Conjunto de Manutenção na página 86.

PRIMEIROS SOCORROS

PELE:

Como a graxa é completamente resistente a água, é melhor remover com um creme de limpeza de pele emulsionante aprovado.

INGESTÃO:

Se certifique que tem bebidas individuais 30ml de Leite de Magnésio, preferencialmente em um copo de leite.

OLHOS:

Irritante mas não prejudicial. Irrigue com água e procure um médico.

FOGO

PONTO DE IGNIÇÃO: Acima de 220°C.

Não classificado como inflamável.

Agente de extinção apropriado: CO₂, Halon ou pulverização de água se aplicado por um operador experiente.

MEIO-AMBIENTE

Recolha para incineração ou descarte em local aprovado.

MANUSEIO

Use creme de proteção ou luvas resistentes a óleo

ARMAZENAMENTO

Afastado de agentes de calor e oxidação.

7.3 GRAXA MOLYKOTE® 111 - DADOS DE SEGURANÇA

Pode encomendar a graxa como um artigo único, o número de peça se encontra no Conjunto de Manutenção na página 86.

PRIMEIROS SOCORROS

PELE:

Não é necessário primeiros socorros.

INGESTÃO:

Não é necessário primeiros socorros.

OLHOS:

Não é necessário primeiros socorros.

INALAÇÃO:

Não é necessário primeiros socorros.

FOGO

PONTO DE IGNIÇÃO: Superior a 101.1°C. (Tapa fechada)

Propriedades Explosivas: Não

Agente de extinção apropriado: Espuma de Dióxido de Carbono, Pó Seco ou pulverizador fino de água. Se pode usar água para resfriar contêineres expostos a fogo.

MEIO-AMBIENTE

Não se prevê efeitos adversos.

MANUSEIO

Se recomenda ventilação geral. Evite contato com os olhos.

ARMAZENAMENTO

Não guarde junto com agentes oxidantes. Mantenha o contêiner fechado e guarde afastado de água ou umidade.

8. DIAGNÓSTICO DE AVARIAS

SINTOMA	CAUSA POSSÍVEL	SOLUÇÃO	REF. PÁGINA
A ferramenta de colocação não funciona	Unidade da bomba não operacional	Verifique a alimentação de energia para a bomba e consulte o manual de instruções da unidade da bomba	
	Acoplamentos Rápidos quebrados 10 e 11	Substitua os Acoplamentos Rápidos	89
	Cabo de Controle do Gatilho 14 não ligado corretamente	Verifique se o Cabo de Controle está ligado corretamente na bomba e ferramenta de colocação	84
	Interruptor de Gatilho 7 ou Cabo de Controle com dano 14	Substitua o Interruptor de Gatilho e/ou o Cabo de Controle	89
Interruptor de Gatilho 7 não está funcionando	Bomba em modo local	Consulte o manual de Instruções da bomba	
	Interruptor de Gatilho 7 ou Cabo de Controle 14 ou conector com dano	Substitua o Interruptor de Gatilho e/ou o Cabo de Controle	89
Bomba funcionando mas a ferramenta de colocação não está funcionando	Tubos Hidráulicos não estão ligados	Verifique se tem as conexões corretas em a bomba e ferramenta de fixação	84
	Nível de óleo baixo	Verifique se a ferramenta de colocação está cheia com óleo e preparada corretamente Consulte o manual de Instruções da bomba	84
	Vazamento externo de óleo na ferramenta de colocação	Inspeccione a ferramenta de colocação - substitua componentes com gasto ou dano	87 - 89
	Vazamento externo de óleo no Conjunto de Tubos	Inspeccione o Conjunto de Tubos – verifique se as conexões de tubo estão apertadas e/ou substitua conectores de tubo danificados	89
	Vazamento interno/externo de óleo na bomba	Consulte o manual de Instruções da bomba	
	A ferramenta de colocação está funcionando erráticamente	Alimentação de pressão hidráulica baixa ou errática	Consulte o manual de Instruções da bomba
Vedantes hidráulicos com gasto ou dano na ferramenta de colocação		Inspeccione a ferramenta de colocação - substitua vedantes com gasto ou dano	87 - 89
Superfícies de vedantes hidráulicos com gasto ou dano na ferramenta de colocação		Inspeccione a ferramenta de colocação - substitua componentes com gasto ou dano	87 - 89
Vazamento interno/externo de óleo na bomba		Consulte o manual de Instruções da bomba	
A bomba gera pressão máxima, mas a ponta do rebite não quebra	A carga de quebra é maior do que a capacidade da ferramenta de colocação a pressão máxima	Consulte as especificações da ferramenta de colocação	81
	Fluxo para ferramenta de colocação bloqueado	Verifique se os Acoplamentos Rápidos 10 e 11 estão bem engatados	84
	Válvula de descarga de pressão da bomba configurada muito baixa	Ajuste as definições da válvula de descarga de pressão – consulte o manual de Instruções da bomba	
	Ranhuradas de tração em ponta do rebite sem cobertura	Veja sintoma na página 96	85
	Operação inapropriada da ferramenta		85

SINTOMA	CAUSA POSSÍVEL	SOLUÇÃO	REF. PÁGINA
Pistão 1 da ferramenta de colocação não retorna	Fluxo de retorno restrito ou bloqueado	Verifique se os Acoplamentos Rápidos 10 e 11 estão bem engatados e/ou se tem quebra	84
	Tubos Hidráulicos não estão ligados	Verifique se tem as conexões corretas em a bomba e ferramenta de fixação	84
	Avaria na válvula da bomba	Consulte o manual de Instruções da bomba	
	Configuração incorreta do Relógio de Retorno da Bomba – definido muito baixo	Ajuste as definições recomendadas do Relógio de Retorno – consulte o manual de Instruções da bomba	
A ferramenta de colocação não ejeta o anel da bigorna	Válvula de descarga de pressão de Retorno da bomba configurada muito baixa	Ajuste as definições da válvula de descarga de pressão para as corretas – consulte o manual de Instruções da bomba	
	Alimentação de pressão hidráulica baixa ou errática	Consulte o manual de Instruções da bomba	
	Vedantes hidráulicos com gasto ou dano na ferramenta de colocação	Inspeccione a ferramenta de colocação - substitua vedantes com gasto ou dano	87 - 89
	Superfícies de vedantes hidráulicos com gasto ou dano na ferramenta de colocação	Inspeccione a ferramenta de colocação - substitua componentes com gasto ou dano	87 - 89
Ranhuras de tração em ponta do rebite sem cobertura durante instalação	Vazamento interno/externo de óleo na bomba	Consulte o manual de Instruções da bomba	
	O operador não está puxando o nariz completamente por cima da ponta do rebite antes de operar a ferramenta	Instruir o operador sobre o método de instalação correto	85
	Comprimento do fixador/empunhador incorreto	Use o fixador correto	
	Segmentos da mandíbula desgastados ou danificados	Verifique e substitua o conjunto da mandíbula – consulte a ficha de dados do equipamento do nariz	85
Anel Avdelok® ou Avbolt® não está totalmente fixo	Sujidade nos segmentos da garra e/ou ranhuras do rebite	Limpe os segmentos da garra – consulte a ficha de dados do equipamento do nariz	
	Intervalo de espaço excessivo	Feche o espaço entre as folhas	85
	Operação inapropriada da ferramenta		85
	Furo da bigorna gasto	Verifique e substitua a Bigorna – consulte a ficha de dados do equipamento do nariz	
Ponta do rebite não se libera do equipamento do nariz	Montagem incorreta do equipamento do nariz	Consulte a ficha de dados do equipamento do nariz	
	Restrição em linha hidráulica	Verifique os Acoplamentos Rápidos hidráulicos 10 e 11 e substituir se necessário	89
Ferramenta de colocação e óleo hidráulico quentes	Temperatura ambiente alta		
Acoplamentos Rápidos Hidráulicos 10 e 11 estão vazando óleo	Anel O gasto em caixa de Acoplamento Rápido Macho 10	Substitua o Anel O e Anel de Reserva no Acoplamento Rápido 10	89

Todos os números em **negrito** se referem ao Conjunto Geral e Lista de Peças em as páginas 90, 91 e 92.

*Conjunto de manutenção na página 86.

9. DECLARAÇÃO DE CONFORMIDADE DA CE

Nós, **Stanley Engineered Fastening, Stanley House, Works Road, Letchworth Garden City, Hertfordshire, SG6 1JY UNITED KINGDOM**, declaramos sob nossa única responsabilidade que o produto:

Descrição: AV30 FERRAMENTA HIDRO-ELÉTRICA

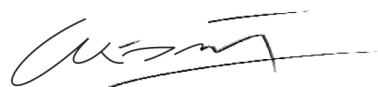
Modelo: AV30 FERRAMENTA ESTRUTURAL – 73434-02000

ao qual esta declaração se refere, está em conformidade com as seguintes normas harmonizadas:

ISO 12100:2010	EN ISO 3744:2010
EN ISO 11202:2010	EN ISO 11148-1:2011
EN ISO 4413:2010	EN ISO 20643:2008+A1:2012
EN ISO 4414:2010	ES100118-rev 17:2017
EN ISO 28927-5:2009+A1:2015	

Documentação técnica está compilada em conformidade com o Anexo 1, seção 1.7.4.1, de acordo com a seguinte diretriz: **2006/42/CE A Diretiva de Máquinas** (Instrumentos do Estatuto 2008 No. 1597 - Regulações de Fornecimento de Máquinas (Segurança)).

O abaixo assinado faz essa declaração em representação da STANLEY Engineered Fastening



A. K. Seewraj

Diretor de Engenharia, Reino Unido

Avdel UK Limited, Stanley House, Works Road, Letchworth Garden City, Hertfordshire,
SG6 1JY UNITED KINGDOM

Local de publicação: Letchworth Garden City, UK

Data de publicação: 12-12-2011

O abaixo assinado é responsável pelo preenchimento do arquivo técnico para produtos vendidos na União Europeia e faz essa declaração em nome da Stanley Engineered Fastening.

Matthias Appel

Líder da Equipe de Documentação Técnica

Stanley Engineered Fastening, Tucker GmbH, Max-Eyth-Str.1,
35394 Gießen, Alemanha



Essa maquinaria está em conformidade com
a Diretiva de Máquinas 2006/42/CE

10. DECLARAÇÃO DE CONFORMIDADE DO REINO UNIDO

Nós, **Stanley Engineered Fastening, Stanley House, Works Road, Letchworth Garden City, Hertfordshire, SG6 1JY UNITED KINGDOM**, declaramos sob nossa única responsabilidade que o produto:

Descrição: AV30 FERRAMENTA HIDRO-ELÉTRICA

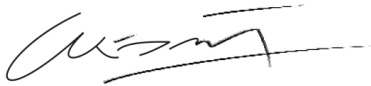
Modelo: AV30 FERRAMENTA ESTRUTURAL – 73434-02000

ao qual esta declaração se refere, está em conformidade com as seguintes normas harmonizadas:

ISO 12100:2010	EN ISO 3744:2010
EN ISO 11202:2010	EN ISO 11148-1:2011
EN ISO 4413:2010	EN ISO 20643:2008+A1:2012
EN ISO 4414:2010	ES100118-rev 17:2017
EN ISO 28927-5:2009+A1:2015	

A documentação técnica é preenchida de acordo com os Regulamentos de Fornecimento de Equipamentos (Segurança) 2008, S.I. 2008/1597 (e alterações).

O abaixo assinado faz essa declaração em representação da STANLEY Engineered Fastening



A. K. Seewraj

Diretor de Engenharia, Reino Unido

Avdel UK Limited, Stanley House, Works Road, Letchworth Garden City, Hertfordshire,
SG6 1JY UNITED KINGDOM

Local de publicação: Letchworth Garden City, UK

Data de publicação: 12-12-2011



Essa maquinaria está em conformidade com
Regulamentos do Suprimento de Máquinas (Segurança) 2008,
S.I. 2008/1597 (e alterações)

11. PROTEJA O SEU INVESTIMENTO!

Stanley® Engineered Fastening GARANTIA DE FERRAMENTA DE REBITES CEGOS

STANLEY® Engineered Fastening garante que todas as máquinas elétricas foram cuidadosamente fabricadas e não apresentarão defeitos de material nem de fabricação no seu uso normal e para serviços por um período de um (1) ano.

Esta garantia aplica-se ao primeiro comprador da máquina e apenas ao seu uso original.

Exclusões:

Uso e desgaste normal.

Manutenções periódicas, reparos e reposições de peças devido ao uso e ao desgaste normal estão excluídos da cobertura da garantia.

Abuso & Uso Indevido.

Defeitos ou danos resultados de operação incorreta, armazenamento e uso indevidos ou abuso, acidente ou negligência, como danos físicos, estão excluídos da cobertura da garantia.

Modificação ou Manutenção Não Autorizada.

Defeitos ou danos resultantes de operações, testes, ajustes, instalações, manutenções, alterações ou modificações de qualquer forma não realizadas pelo pessoal da STANLEY® Engineered Fastening, ou de seus centros de serviços autorizados, estão excluídos da cobertura da garantia.

Todas as outras garantias, explícitas ou implícitas, incluindo quaisquer garantias de comercialização ou adequação para qualquer propósito, estão excluídas.

Se a máquina não atende aos requisitos de garantia, devolva-a imediatamente ao nosso centro de serviços autorizados de fábrica mais próximo. Para uma lista de postos de assistências técnica autorizados da STANLEY® nos EUA ou Canadá, entre em contato conosco pelo número gratuito (877)364 2781.

Fora dos EUA e Canada, visite o nosso website **www.StanleyEngineeredFastening.com** para encontrar o centro de serviços STANLEY Engineered Fastening mais próximo.

A STANLEY Engineered Fastening trocará então, gratuitamente, qualquer peça ou peças, as quais apresentam defeitos devido a uma falha de material ou de fabricação e, devolverá a máquina pré-paga. Isto representa nossa obrigação única sob esta garantia.

Em nenhuma circunstância a STANLEY Engineered Fastening deverá ser responsabilizada por quaisquer danos resultantes ou especiais oriundos da compra ou uso desta máquina.

Registre sua Rebitadeira on-line.

Para registrar a sua garantia on-line, acesse:

<https://www.stanleyengineeredfastening.com/support/warranty-registration-form>

Agradecemos por escolher uma ferramenta da marca STANLEY® Engineered Fastening de tecnologias Stanley.



STANLEY Engineered Fastening
 STANLEY House, Works Road
 Letchworth Garden City
 Hertfordshire, United Kingdom
 SG6 1JY
 Tel: +44 1582 900 000
 Fax: +44 1582 900 001



Holding your world together®

Find your closest STANLEY Engineered Fastening location on
www.stanleyEngineeredFastening.com/contact
 For an authorized distributor nearby please check
www.stanleyEngineeredFastening.com/econtact/distributors

Manual Number	Issue	C/N
07900-01022_NA	B	21/067

STANLEY Assembly Technologies

Stanley Engineered Fastening — a division of Stanley Black and Decker — is the global leader in precision fastening and assembly solutions. Our industry-leading brands, Avdel®, Integra™, Nelson®, Optia™, POP®, Stanley® Assembly Technologies, and Tucker®, elevate what our customers create. Backed by a team of passionate and responsive problem-solvers, we empower engineers who are changing the world.

STANLEY ENGINEERED FASTENING FAMILY OF BRANDS

