



- Ⓔ EN Hydro-Electric Power Tool
- Ⓔ FR Outil électrohydraulique
- Ⓔ DE Hydro-Electric Power Tool
- Ⓔ IT Utensile di installazione elettroidraulico
- Ⓔ PL Narzędzie hydrauliczno-elektryczne
- Ⓔ ES Herramienta hidroeléctrica
- Ⓔ NL Hydro-Electric Power Tool
- Ⓔ DA Hydroelektrisk elværktøj
- Ⓔ FI Hydro-Electric Power Tool
- Ⓔ NO Hydro-Electric Power Tool
- Ⓔ SV Hydroelektriskt kraftverktyg
- Ⓔ PT Ferramenta hidro-eléctrica



AV®30 Installation Tool – 73434-02000

Hydro-Electric Power Tool

©2019 STANLEY Black & Decker All rights reserved.

The information provided may not be reproduced and/or made public in any way and through any means (electronically or mechanically) without prior explicit and written permission from STANLEY Engineered Fastening. The information provided is based on the data known at the moment of the introduction of this product. STANLEY Engineered Fastening pursues a policy of continuous product improvement and therefore the products may be subject to change. The information provided is applicable to the product as delivered by STANLEY Engineered Fastening. Therefore, STANLEY Engineered Fastening cannot be held liable for any damage resulting from deviations from the original specifications of the product.

The information available has been composed with the utmost care. However, STANLEY Engineered Fastening will not accept any liability with respect to any faults in the information nor for the consequences thereof. STANLEY Engineered Fastening will not accept any liability for damage resulting from activities carried out by third parties. The working names, trade names, registered trademarks, etc. used by STANLEY Engineered Fastening should not be considered as being free, pursuant to the legislation with respect to the protection of trade marks.

CONTENT

1. SAFETY DEFINITIONS	4
1.1 GENERAL SAFETY RULE	4
1.2 PROJECTILE HAZARDS	4
1.3 OPERATING HAZARDS	5
1.4 REPETITIVE MOTIONS HAZARDS	5
1.5 ACCESSORY HAZARDS	5
1.6 WORKPLACE HAZARDS.....	5
1.7 NOISE HAZARDS.....	6
1.8 VIBRATION HAZARDS.....	6
1.9 ADDITIONAL SAFETY INSTRUCTIONS FOR HYDRAULIC POWER TOOLS	6
2. SPECIFICATIONS	7
2.1 INTENT OF USE	7
2.2 TOOL SPECIFICATION	7
2.3 TOOL DIMENSIONS.....	8
3. PUTTING IN SERVICE	9
3.1 PRINCIPAL OF OPERATION	9
3.2 PREPARATION FOR USE.....	10
4. OPERATING INSTRUCTIONS	11
4.1 TO INSTALL AN AVBOLT® FASTENER	11
4.2 TO INSTALL AN AVDELOK® XT FASTENER.....	11
5. SERVICING THE TOOL	12
5.1 DAILY SERVICING.....	12
5.2 WEEKLY SERVICING.....	12
5.3 ANNUAL SERVICING / EVERY 150K OPERATIONS.....	12
5.4 SERVICE KIT	12
5.5 SERVICING TOOLS	12
5.6 HYDRAULIC OIL	12
5.7 DISMANTLING INSTRUCTIONS.....	13
5.8 PROTECTING THE ENVIRONMENT	15
6. GENERAL ASSEMBLY AND PART LIST	16
6.1 GENERAL ASSEMBLY	16
6.2 PARTS LIST	18
7. SAFETY DATA	19
7.1 ENERPACE® HF HYDRAULIC OIL - SAFETY DATA.....	19
7.2 MOLYLITHIUM GREASE EP 3753 - SAFETY DATA	19
7.3 MOLYKOTE® 111 GREASE - SAFETY DATA	20
8. FAULT DIAGNOSIS	21
9. EC DECLARATION OF CONFORMITY	23
10. UK DECLARATION OF CONFORMITY	24
11. PROTECT YOUR INVESTMENT!	25



This instruction manual must be read by any person installing or operating this tool with particular attention to the following safety warnings and instructions.



Always wear impact-resistant eye protection during operation of the tool. The grade of protection required should be assessed for each use.



Use of the tool can expose the operator's hands to hazards, including crushing, impacts, cuts and abrasions and heat. Wear suitable gloves to protect hands.



Use hearing protection in accordance with employer's instructions and as required by occupational health and safety regulations.

1. SAFETY DEFINITIONS

The definitions below describe the severity for each signal word. Please read the manual and pay attention to these symbols.



DANGER: Indicates an imminently hazardous situation which, if not avoided, will result in death or serious injury.



WARNING: Indicates a potentially hazardous situation which, if not avoided, could result in death or serious injury.



CAUTION: Indicates a potentially hazardous situation which, if not avoided, may result in minor or moderate injury.



CAUTION: Used without safety alert symbol indicates a potentially hazardous situation which, if not avoided, may result in property damage.

Improper operation or maintenance of this product could result in serious injury and property damage. Read and understand all warnings and operating instructions before using this equipment. When using power tools, basic safety precautions must always be followed to reduce the risk of personal injury.

SAVE ALL WARNINGS AND INSTRUCTIONS FOR FUTURE REFERENCE.

1.1 GENERAL SAFETY RULE

- For multiple hazards, read and understand the safety instructions before installing, operating, repairing, maintaining, changing accessories on, or working near the tool. Failure to do so can result in serious bodily injury.
- Only qualified and trained operators must install, adjust or use the tool.
- DO NOT use outside the design intent of placing STANLEY Engineered Fastening Blind Rivets.
- Use only parts, fasteners, and accessories recommended by the manufacturer.
- DO NOT modify the tool. Modifications can reduce the effectiveness of safety measures and increase the risks to the operator. Any modification to the tool undertaken by the customer will be the customer's entire responsibility and void any applicable warranties.
- Do not discard the safety instructions; give them to the operator.
- Do not use the tool if it has been damaged.
- Prior to use, check for misalignment or binding of moving parts, breakage of parts, and any other condition that affects the tool's operation. If damaged, have the tool serviced before using. Remove any adjusting key or wrench before use.
- Tools shall be inspected periodically to verify that the ratings and markings required by this part of ISO 11148 are legibly marked on the tool. The employer/user shall contact the manufacturer to obtain replacement marking labels when necessary.
- The tool must be maintained in a safe working condition at all times and examined at regular intervals for damage and function by trained personnel. Any dismantling procedure will be undertaken only by trained personnel. Do not dismantle this tool without prior reference to the maintenance instructions.

1.2 PROJECTILE HAZARDS

- Disconnect the tool from the hydraulic pump unit before performing any maintenance, attempting to adjust, fit or remove a nose assembly or accessories.
- Be aware that failure of the workpiece or accessories, or even of the inserted tool itself can generate high-velocity projectiles.
- Always wear impact-resistant eye protection during operation of the tool. The grade of protection required should be assessed for each use.

- The risks to others should also be assessed at this time.
- Ensure that the workpiece is securely fixed.
- Check that the means of protection from ejection of fastener and/or mandrel is in place and is operative.
- Warn against the possible forcible ejection of mandrels from the front of the tool.
- DO NOT operate a tool that is directed towards any person(s).

1.3 OPERATING HAZARDS

- Use of the tool can expose the operator's hands to hazards, including crushing, impacts, cuts and abrasions and heat. Wear suitable gloves to protect hands.
- Operators and maintenance personnel shall be physically able to handle the bulk, weight, and power of the tool.
- Hold the tool correctly; be ready to counteract normal or sudden movements and have both hands available.
- Keep tool handles dry, clean, and free from oil and grease.
- Maintain a balanced body position and secure footing when operating the tool.
- Release the start-and-stop device in the case of an interruption of the hydraulic supply.
- Use only lubricants recommended by the manufacturer.
- Contact with hydraulic fluid should be avoided. To minimise the possibility of rashes, care should be taken to wash thoroughly if contact occurs.
- Material Safety Data Sheets for all hydraulic oils and lubricants is available on request from your tool supplier.
- Avoid unsuitable postures as it is likely for these positions not to allow counteracting of normal or unexpected movement of the tool.
- If the tool is fixed to a suspension device, make sure that the fixation is secure.
- Beware of the risk of crushing or pinching if nose equipment is not fitted.
- DO NOT operate tool with the nose casing removed.
- Adequate clearance is required for the tool operator's hands before proceeding.
- When carrying the tool from place to place keep hands away from the trigger to avoid inadvertent activation.
- DO NOT abuse the tool by dropping or using it as a hammer.
- Care should be taken to ensure that spent mandrels do not create a hazard.

1.4 REPETITIVE MOTIONS HAZARDS

- When using the tool, the operator can experience discomfort in the hands, arms, shoulders, neck or other parts of the body.
- While using the tool, the operator should adopt a comfortable posture whilst maintaining a secure footing and avoiding awkward or off-balance postures. The operator should change posture during extended tasks; this can help avoid discomfort and fatigue.
- If the operator experiences symptoms such as persistent or recurring discomfort, pain, throbbing, aching, tingling, numbness, burning sensations or stiff ness, these warning signs should not be ignored. The operator should tell the employer and consult a qualified health professional.

1.5 ACCESSORY HAZARDS

- Disconnect the tool from the hydraulic and electrical supply before fitting or removing the nose assembly or accessory.
- Use only sizes and types of accessories and consumables that are recommended by the manufacturer of the tool; do not use other types or sizes of accessories or consumables.

1.6 WORKPLACE HAZARDS

- Slips, trips and falls are major causes of workplace injury. Be aware of slippery surfaces caused by use of the tool and also of trip hazards caused by the air line or hydraulic hose.
- Proceed with care in unfamiliar surroundings. There can be hidden hazards, such as electricity or other utility lines.
- The tool is not intended for use in potentially explosive atmospheres and is not insulated against contact with electric power.
- Ensure that there are no electrical cables, gas pipes, etc., which can cause a hazard if damaged by use of the tool.
- Dress properly. Do not wear loose clothing or jewellery. Keep your hair, clothing and gloves away from moving parts. Loose clothes, jewellery or long hair can be caught in moving parts.
- Care should be taken to ensure that spent mandrels do not create a hazard.

1.7 NOISE HAZARDS

- Exposure to high noise levels can cause permanent, disabling hearing loss and other problems, such as tinnitus (ringing, buzzing, whistling or humming in the ears). Therefore, risk assessment and the implementation of appropriate controls for these hazards are essential.
- Appropriate controls to reduce the risk may include actions such as damping materials to prevent workpieces from “ringing”.
- Use hearing protection in accordance with employer’s instructions and as required by occupational health and safety regulations.
- Operate and maintain the tool as recommended in the instruction manual, to prevent an unnecessary increase in the noise level.

1.8 VIBRATION HAZARDS

- Exposure to vibration can cause disabling damage to the nerves and blood supply of the hands and arms.
- Wear warm clothing when working in cold conditions and keep your hands warm and dry.
- If you experience numbness, tingling, pain or whitening of the skin in your fingers or hands, stop using the tool, tell your employer and consult a physician.
- Where possible Support the weight of the tool in a stand, tensioner or balancer, because a lighter grip can then be used to support the tool.

1.9 ADDITIONAL SAFETY INSTRUCTIONS FOR HYDRAULIC POWER TOOLS

- The operating hydraulic supply must not exceed 550 bar (8000 PSI).
- Oil under pressure can cause severe injury.
- Do not fit flexible hydraulic hoses rated at less than 700 bar (10,000 PSI) working pressure at a flow rate of 2.73 l/min (200 in 3/min).
- Never leave operating tool unattended. Disconnect hydraulic hose and electrical cable from the pump unit when tool is not in use, before changing accessories or when making repairs.
- Whipping hoses can cause severe injury. Always check for damaged or loose hoses and fittings.
- Prior to use, inspect hydraulic hoses for damage, all hydraulic connections must be clean, fully engaged and tight before operation. Do not drop heavy objects on hoses. A sharp impact may cause internal damage and lead to premature hose failure.
- Whenever universal twist couplings (claw couplings) are used, lock pins shall be installed and whipcheck safety cables shall be used to safeguard against possible hose-to-tool or hose-to-hose connection failure.
- DO NOT lift the placing tool by the hose or electrical cable. Always use the placing tool handle.
- DO NOT pull or move the hydraulic pump unit using the hoses. Always use the pump unit handle or roll cage.
- Keep dirt and foreign matter out of the hydraulic system of the tool as this will cause the tool to malfunction.
- Use only clean oil and filling equipment.
- Only recommended hydraulic fluids may be used.
- Power units require a free flow of air for cooling purposes and should therefore be positioned in a well ventilated area free from hazardous fumes.
- Maximum temperature of the hydraulic fluid at the inlet is 110°C (230°F).

STANLEY Engineered Fastening policy is one of continuous product development and improvement and we reserve the right to change the specification of any product without prior notice.

2. SPECIFICATIONS

2.1 INTENT OF USE

The AV™ 30 Installation Tool is principally a piston and cylinder assembly. When coupled hydraulically and electrically to a compatible hydraulic power source and the relevant nose assembly is attached, it is then used to install 1/2" to 5/8" Avbolt® and 1/2" to 3/4" Avdelok® XT in Industrial Environments.

The placing tool and hydraulic pump unit may only be used in accordance with the operating instructions for placing Stanley Engineered Fastening structural rivets.

Refer to the table below for the list of applicable fasteners and associated nose equipment. Refer to the datasheets listed in the table for the relevant nose assembly instructions.

DO NOT use under wet conditions or in the presence of flammable liquids or gases.

FASTENER		NOSE ASSEMBLY			NOSE ASSEMBLY DATASHEET
TYPE	SIZE	PART NUMBER	DIM. 'A'	DIM. 'B'	PART NUMBER
AVBOLT®	1/2"	73412-03600	113 mm	43 mm	07900-00905
	5/8"	73412-03400	113 mm	52 mm	07900-00905
AVDELOK® XT	1/2"	73412-03100	113 mm	43 mm	07900-00919
	5/8"	73412-03200	115 mm	48 mm	07900-00919
	3/4"	73412-03300	134 mm	56 mm	07900-00919

*Nose assembly with jaw release.

Refer to the illustration on page 8 for the identification of the nose assembly dimensions 'A' and 'B'.

The safety instructions must be followed at all times.

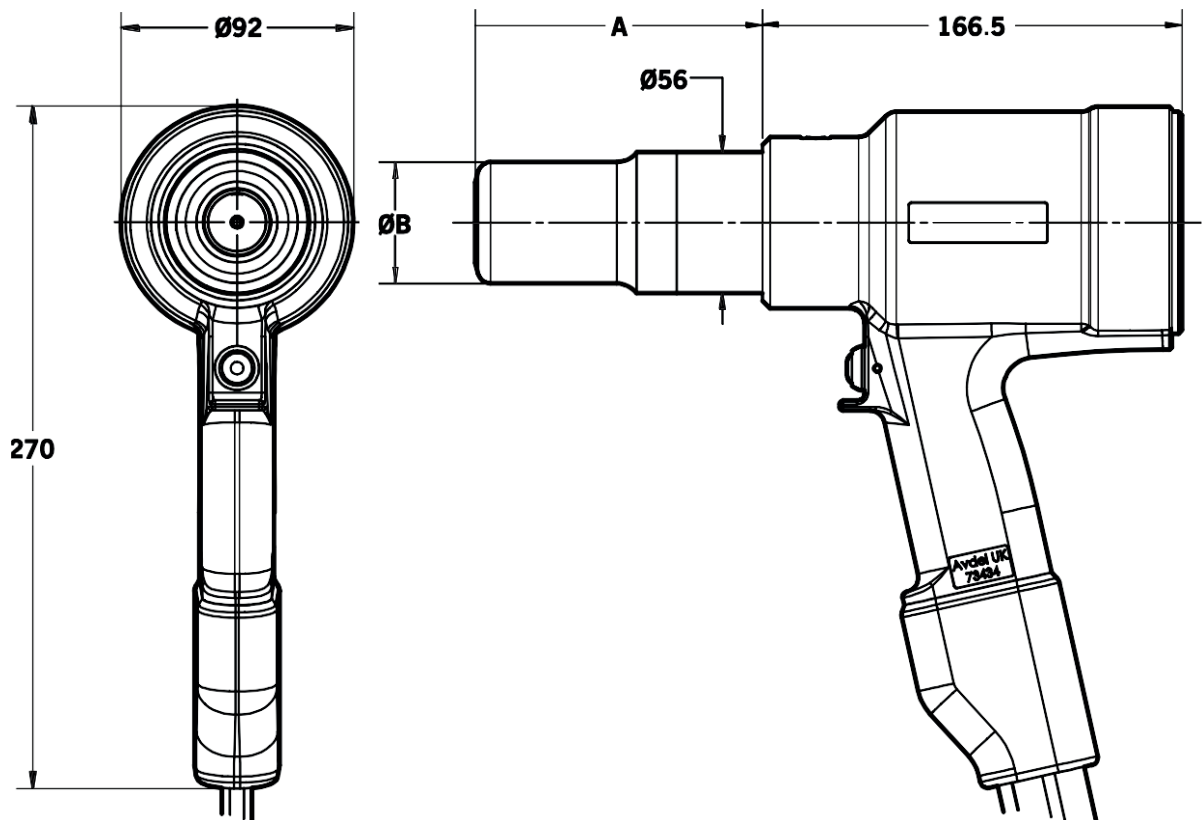
2.2 TOOL SPECIFICATION

	SPECIFICATION	METRIC	IMPERIAL
Force:	Pull at stated pull pressure	175.0 kN	39341.0 lbf
	Push Off at stated return pressure	80.0 kN	17985.0 lbf
Pressure:	Pull	510 bar	7397 PSI
	Return	200 bar	2901 PSI
Stroke:	Piston Stroke	41.0 mm	1.61 in
Weight:	Without nose equipment	6.9 kg	15.3 lb
Hydraulic Oil:	Enerpac® Hydraulic Oil – HF-95X		
Product Range:	Avbolt®	12.7 to 15.9 mm	1/2 to 5/8 in
	Avdelok® XT	12.7 to 19.1 mm	1/2 to 3/4 in
Additional Features:	Stem Ejection – Front or Rear	Front	
	Seal Arrangement	Lip and Wiper Seals	
	Hydraulic Bearing Rings	Yes – Front	
	Protective Handle / Hose Gator	Yes	
	Protective Hose Guard	Yes	
	Hose / Cable Retention Clamps	Yes	

Noise values determined according to noise test code ISO 15744 and ISO 3744.		AV30
A-weighted sound power level dB(A), L_{WA}	Uncertainty noise: $k_{WA} = 3.0$ dB(A)	94.3 dB(A)
A-weighted emission sound pressure level at the work station dB(A), L_{pA}	Uncertainty noise: $k_{pA} = 3.0$ dB(A)	83.3 dB(A)
C-weighted peak emission sound pressure level dB(C), L_{pC} , peak	Uncertainty noise: $k_{pC} = 3.0$ dB(C)	128.1 dB(C)

Vibration values determined according to vibration test code ISO 20643 and ISO 5349		AV30
Vibration emission level, a_{hd} :	Uncertainty vibration: $k = 0.48$ m/s ²	0.952 m/s ²
Declared vibration emission values in accordance with EN 12096		

2.3 TOOL DIMENSIONS



All dimensions are shown in millimetres.

Refer to the table on page 7 for the nose assembly dimensions 'A' and 'B'.

The tool is fitted with two Hydraulic Hoses and an electrical Control Cable, 0.6m in length. Additional hydraulic hose and cable extension lengths are available to order separately as required. Refer to the table below for the available hose assembly lengths and associated part numbers.

HYDRAULIC HOSE ASSEMBLY	
PART NUMBER	HOSE LENGTH
07008-00448	5 Metre
07008-00449	10 Metre
07008-00450	15 Metre

3. PUTTING IN SERVICE

3.1 PRINCIPAL OF OPERATION

IMPORTANT - READ THE SAFETY RULES ON PAGES 4 – 6 AND THE PUMP UNIT INSTRUCTION MANUAL CAREFULLY BEFORE PUTTING INTO SERVICE.

When both hoses and control cable are connected to the Avdel® / Enerpac® hydraulic pump unit, the pull and return cycles of the tool are controlled by depressing and releasing the trigger located in the handle.

When the switch is depressed the solenoid valve, located in the hydraulic pump unit, is energised and directs the pressurised oil flow to the pull side of the piston in the placing tool. This also allows the oil in the return side of the placing tool to return to the reservoir.

During the pull cycles the piston/collet assembly moves towards the rear of the tool allowing the O-ring type cushion to push the follower and jaws forward. If a fastener pin has been inserted in the nose assembly, the jaw set will clamp onto the pintail and assembly will commence.

For Avbolt® and Avdelok® XT the cycle of installation will first clamp the joint to be fastened and then as the anvil continues to move forward the collar will be swaged into the locking grooves of the pin. At the end of the swaging cycle the anvil will come up against the joint and as movement continues the pintail will be broken off.

The trigger switch should be released immediately after pin break occurs. Releasing the trigger switch will cause the solenoid to de-energise and reverse the flow of pressurised oil.

If the trigger is not released, the placing tool piston will continue to move towards the rear of the tool until it reaches the end of its stroke. The pressure in the pull side will then increase until a preset 'High Pressure' value is achieved at the pump. At this point the solenoid valve will automatically de-energise and reverse the flow of pressurised oil to the return side of the placing tool.

In either case, pressurised oil will now flow into the return side of the placing tool, with the oil in the pull side returning to the reservoir.

The forward movement of the piston/collet assembly will eject the installed fastener from the anvil.

At the point of releasing the trigger or when the 'High Pressure' value is achieved, the solenoid valve will de-energise and activate a preset 'Return Timer'. This controls the time that the pump motor will continue run before switching to the idle mode. The timer can be manually set between 5 and 20 seconds to ensure that the placing tool piston always fully returns to the forward position (refer to pump manual 07900-01030, pages 10 and 13).

When the piston returns to the fully forward position, the pressure will increase to preset low pressure value - c200bar. The pump motor will continue to run until the Return Timer has expired. After this time period the motor will stop automatically and valve will switch to the idle position. The solenoid valve will then automatically cycle to release pressurised oil to the reservoir from both the pull and return side of the placing tool.

This keeps the installation tool in the forward position. No pressure will be present in the hydraulic system at this point.

The hydraulic pump unit will automatically start up on depression of the tool trigger switch.

3.2 PREPARATION FOR USE

CAUTION - CORRECT PULL AND RETURN PRESSURES ARE IMPORTANT FOR PROPER FUNCTION OF THE INSTALLATION TOOL. PERSONAL INJURY OR DAMAGE TO EQUIPMENT MAY OCCUR WITHOUT CORRECT PRESSURES. THE PULL AND RETURN PRESSURES SUPPLIED BY THE HYDRAULIC PUMP UNIT MUST NOT EXCEED THOSE PRESSURES LISTED IN THE PLACING TOOL SPECIFICATION.

IMPORTANT – BEFORE PUTTING THE PLACING TOOL AND HYDRAULIC HOSE SET INTO SERVICE:

ENSURE THAT THE PUMP PRESSURE RELIEF VALVES HAVE BEEN SET IN ACCORDANCE WITH THE PUMP INSTRUCTIONS AND THE MAXIMUM PRESSURES SPECIFIED FOR THE PLACING TOOL AND HOSES.

ENSURE THAT THE HOSE KIT IS PRIMED WITH HYDRAULIC FLUID IN ACCORDANCE WITH THE PROCEDURE IN THE PUMP INSTRUCTION MANUAL 07900-01030.

- Ensure the mains power supply to the hydraulic pump unit is switched off.
- Connect the placing tool hydraulic hose quick couplers directly to the pump unit before connecting the electrical control cable. Hoses and control cable must be connected in this order and disconnected in reverse order.
- Switch on the mains supply to the hydraulic pump unit. Wait 5 seconds for the pump unit to complete the boot sequence, before pressing the trigger switch. When all set the LCD screen on the pump unit will display 'AVDEL'.
- During the boot sequence the pump control system identifies any trigger operation as a potential malfunction and prevents the motor from starting. The LCD screen will display 'BUTTON FAULT' in this instance. Reset by switching off the power supply for 10 seconds.
- Ensure that the placing tool is positioned below the pump reservoir tanks. Depress and release the placing tool trigger switch a few times to almost the full stroke of the tool to circulate hydraulic fluid and expel any air from the tool.
- Observe action of tool. Check for fluid leaks and ensure that in the idler mode the piston is in the fully forward position. The placing tool will now be primed.
- Switch off the mains power supply to the hydraulic pump unit and then disconnect the placing tool from the pump unit in reverse order to that described above.
- Now connect the placing tool to the primed hydraulic hose kit and electrical control cable. Then connect hydraulic hose kit quick couplers and the electrical control cable to the pump unit.
- Attach the nose assembly to the tool as per the instructions in the relevant nose assembly datasheet.
- Switch on the mains supply to the hydraulic pump unit as described above.
- Depress and release the placing tool trigger switch a few times to almost the full stroke of the tool to circulate hydraulic fluid.
- The placing tool is now ready for use.

4. OPERATING INSTRUCTIONS

4.1 TO INSTALL AN AVBOLT® FASTENER

- Check work and remove excessive gap. (Gap is the space between components of the Joint. Gap is excessive if not enough pintail sticks through the collar for the nose assembly jaws to grab onto).
- Put Avbolt® fastener into hole.
- Push nose assembly onto the pin until the nose assembly anvil stops against the collar. Tool and nose assembly must be held at right angles (90°) to the work.
- Depress tool trigger switch to start installation cycle.
- When the forward motion of the nose assembly anvil stops and the pintail breaks off, release the trigger. The tool will go into its return stroke and push off the installed fastener. At the end of the return stroke the jaws will partially release the expended pintail which can be removed by tilting the tool nose down.
- Once the installed fastener has been ejected, the tool and nose assembly is ready for the next installation.

4.2 TO INSTALL AN AVDELOK® XT FASTENER

- Check work and remove excessive gap. (Gap is the space between components of the Joint. Gap is excessive if not enough pintail sticks through the collar for the nose assembly jaws to grab onto).
- Put Avdelok® XT fastener into hole.
- Slide Avdelok® XT collar over the pin. (The beveled end of the collar must be towards the nose assembly and tool.)
- Push nose assembly onto the pin until the nose assembly anvil stops against the collar. Tool and nose assembly must be held at right angles (90°) to the work.
- Depress tool trigger switch to start installation cycle.
- When the forward motion of the nose assembly anvil stops and the pintail breaks off, release the trigger. The tool will go into its return stroke and push off the installed fastener. At the end of the return stroke the jaws will partially release the expended pintail which can be removed by tilting the tool nose down.
- Once the installed fastener been ejected, the tool and nose assembly is ready for the next installation.

CAUTION - DO NOT ATTEMPT TO BREAK OFF A PINTAIL WITHOUT THE INSTALLATION OF A COLLAR AS THIS WILL CAUSE THE UNSECURED PORTION OF THE AVDELOK® OR AVBOLT® PINTAIL TO EJECT FROM THE NOSE AT A HIGH SPEED AND FORCE.

5. SERVICING THE TOOL

IMPORTANT - READ SAFETY INSTRUCTIONS ON PAGES 4 - 6. THE EMPLOYER IS RESPONSIBLE FOR ENSURING THAT TOOL MAINTENANCE INSTRUCTIONS ARE GIVEN TO THE APPROPRIATE PERSONNEL. THE OPERATOR SHOULD NOT BE INVOLVED IN MAINTENANCE OR REPAIR OF THE TOOL UNLESS PROPERLY TRAINED. THE TOOL SHALL BE EXAMINED REGULARLY FOR DAMAGE AND MALFUNCTION.

5.1 DAILY SERVICING

- Check placing tool, hoses and quick couplers for oil leaks.
- Worn or damaged hoses and couplings should be replaced.
- Check that the stroke of tool meets the specification.
- Check that the stem deflector is fitted.
- Check that the pump pull / advance pressure relief valve is functioning correctly.
- Check for worn anvil indicated by score marks on the installed collar. This can also be confirmed by referring to the installed data in the fastener catalogue. Excessive wear can cause the anvil to rupture.

5.2 WEEKLY SERVICING

- Dismantle and clean the nose assembly especially the jaws as described in the relevant nose assembly datasheet.
- Check for oil leaks in placing tool, hoses and quick couplers

CAUTION – Never use solvents or other harsh chemicals for cleaning the non-metallic parts of the tool. These chemicals may weaken the materials used in these parts.

5.3 ANNUAL SERVICING / EVERY 150K OPERATIONS

- Every 150,000 cycles the tool should be completely dismantled and new components should be used where worn, damaged or as recommended. All O-rings, back-up rings and seals should be renewed and lubricated with MolyKote® 111 grease before assembling.

5.4 SERVICE KIT

For a complete service the following Service Kit is available:

SERVICE KIT: 73432-99990			
PART NUMBER	DESCRIPTION	PART NUMBER	DESCRIPTION
07005-10118	Quick Coupler - Male	07900-00972	AV30 Front Gland Guide Rod
07005-10120	Quick Coupler - Female	07900-00963	AV30 Piston Guide Sleeve
07900-00958	End Cap Tool Body	07992-00020	Grease – MolyLithium EP3753
07900-00969	AV30 Piston Seal Sleeve	07900-00755	Grease – Molykote® 111
07900-00970	AV30 Piston Seal Plunger	07900-00756	Loctite® 243 Threadlocker
07900-00971	AV30 Piston Bullet - Front		

5.5 SERVICING TOOLS

The following standard tools are also required:

- Allen Key: 2.0 / 3.0 mm
- Open End Flat Spanner: 12 / 14 / 18 / 24 / 45 mm A/F
- PTFE Tape: 10 mm
- Engineers Vice with Jaw Guards – 150 mm

5.6 HYDRAULIC OIL

CAUTION – Use only Enerpac® HF hydraulic oil – the use of any other oil may cause the placing tool and pump to malfunction and will render the placing tool warranty null and void.

Hydraulic oil is available to order under the following part numbers.

HYDRAULIC OIL			
PART NUMBER	07992-00081	07992-00082	07992-00083
Enerpac® Part Number	HF-95X	HF-95Y	HF-95T
Volume	1 Litre	5 Litres	20 Litres
Viscosity	32 mm ² /s	32 mm ² /s	32 mm ² /s

5.7 DISMANTLING INSTRUCTIONS

IMPORTANT – ENSURE THE MAINS POWER SUPPLY TO THE HYDRAULIC PUMP UNIT IS SWITCHED OFF BEFORE REMOVING THE NOSE ASSEMBLY OR DISMANTLING THE PLACING TOOL.

Before Dismantling:

- Uncouple the Quick Couplers **10** and **11** and the electrical Control Cable **14** between the placing tool and the Hydraulic Hose Assembly.
- Remove the nose assembly from the placing tool as per the instructions in the relevant nose assembly datasheet.
- The potentially dangerous substances that could have deposited on the machine as a result of work processes must be removed before maintenance.

For a complete service of the tool, we advise that you proceed with dismantling the tool in the order shown on pages 13 to 15. After dismantling the tool we recommend that you replace all seals.

Head Piston Assembly:

- Using a small flat screwdriver, remove the Pin **41** from the Collet Adapter **40**.
- Unscrew and remove the Collet Adapter **40** from the Piston **1**.
- Clamp the tool handle in a vice with soft jaws so that the tool is pointing nose down.
- Connect the spare *Quick Coupler – Male to the Quick Coupler – Female **11** on the Hydraulic Hose - Return **18**. This will release any pressure from the return side of the Piston **1** and ease the removal of the End cap **17**.
- Insert the *End Cap Assembly Tool body into the End Cap **17**.
- Using a 24 mm A/F spanner, unscrew and remove the End Cap **17**, from the Body **2**.
- Using a small flat screwdriver, remove O-Ring **21** from the End Cap **17** and discard.
- Using a small flat screwdriver or similar tool, remove O-Ring **30** and Spiral Back-up Ring **36**, from the external groove on the End cap **17**, and discard. When removing the seals, take care not to damage the surface of the End cap with the screwdriver.
- Remove the placing tool from the vice and empty the hydraulic oil from the rear of the tool. Remove the spare *Quick Coupler – Male from the Quick Coupler – Female **11**.
- Connect the spare *Quick Coupler - Female to the Quick Coupler – Male **10** on the Hydraulic Hose - Pull **19**. This will release any pressure from the pull side of the Piston **1** and ease the removal of the Piston **1**.
- Screw the *Piston Bullet - Front on to the front of the Piston **1**.
- Place the Body **2** nose up on a bench. Then using a soft mallet, tap the Piston **1** towards the rear of the Body and out the back end, taking care not to damage the bore within the Body.
- Note that when removing the Piston **1**, oil on the pull side of the Piston will leak from the front and rear of the Body **2**.
- When removing the Piston **1**, the Front Seal Gland **15** may be retained on the Piston shaft. If this is the case, unscrew the *Piston Bullet - Front and pull the Front Seal Gland off of the Piston.
- The Piston Seal **26** is a 2-piece seal consisting of an external sealing ring and an inner O-ring. Using a small knife, cut through the external sealing ring and remove from the external groove on the Piston **1**. Then using a small flat screwdriver remove the inner O-ring from the Piston, and discard. When removing the seals, take care not to damage the surface of the Piston.
- If the Front Seal Gland **15** is still retained in the Body **2**. Place the Body nose up on a bench and then push the Front Seal Gland from the front until it is free from the recess within Body. The Front Seal Gland can then be removed from the back end of the Body. Take care not to damage the bore within the Body when doing so.

All numbers in **bold** refer to the General Assembly and Parts List on pages 16, 17 and 18.

* Service Kit on page 12.

- Using a small flat screwdriver remove O-Ring **23** and Spiral Back-up Ring **34**, from the external groove on the Front Seal Gland **15**, and discard. When removing the seals, take care not to damage the surface of the Front Seal Gland with the screwdriver.
- Remove Rod Seal **25** and Wiper Seal **22**, from the internal grooves on the Front Seal Gland **15**, and discard. When removing the seals, take care not to damage the surface of the Front Seal Gland with the screwdriver.
- Remove the Front Bearing Ring **24** and check the part for wear or damage. Discard if necessary.
- Using a small flat screwdriver, remove O-Ring **21** from the Body **2** and discard.
- Remove the spare *Quick Coupler - Female from the Quick Coupler - Male 10 on the Hydraulic Hose - Pull **19**.
- Do not remove Set Screw **42** from the Body **2**.

Assemble in reverse order to dismantling noting the following points:

- Clean all components before assembling.
- To aid assembly of seals apply a light coating of Molykote® 111 grease to all seals, seal grooves, back-up rings and the assembly tools.
- Slide O-Ring **23** over the Front Seal Gland **15** and into the external groove. Insert the Spiral Back-up Ring **34** in the same groove, in front of the installed O-Ring. Refer to the General Assembly and Parts List for the correct orientation of the O-Ring and Spiral Back-up Ring.
- Press the Front Bearing Ring **24** into the internal recess within the Front Seal Gland **15** and then install Rod Seal **25** behind the Front Bearing Ring. Install the Wiper Seal **22** in the front recess of the Front Seal Gland. Refer to the General Assembly to ensure the correct orientation of the Rod Seal and Wiper Seal.
- Lubricate the surface and leading edge of the Body **2** bore into which the Front Seal Gland **15** is to be installed with Molykote® 111 grease.
- Lubricate the spigot on the *Front Gland Guide Rod tool and then place the Front Seal Gland **15**, Rod Seal **25** end first, fully over spigot. Insert *Front Gland Guide Rod into the rear of the Body **2** and then push the Front Seal Gland fully into the bore within the Body. Reasonable force is required to insert Front Seal Gland into the Body, so the use of a press or vice may be necessary. Remove the *Front Gland Guide Rod while ensuring that the Front Seal Gland stays in place.
- Lubricate the seal groove and major external diameter of the Piston **1** with Molykote® 111 grease. Slide the Piston Seal **26** over the front of the major Piston diameter and into the seal groove.
- Screw the *Piston Bullet – Front on to the Piston **1**. Place the *Piston Seal Sleeve over the Piston shaft and then place the outer sealing ring from Piston Seal **26** over the *Piston Seal Sleeve so that it rests on the tapered diameter. Lubricate the surface of the *Piston Seal Sleeve with Molykote® 111 grease.
- Place the *Piston Seal Plunger over the Piston **1** shaft and the *Piston Seal Sleeve so that the open end of the *Piston Seal Plunger rests on the outer sealing ring of Piston Seal **26**. Using the *Piston Seal Plunger, push the outer sealing ring over the *Piston Seal Sleeve and into the Piston seal groove. Reasonable force is required to expand and insert the outer sealing ring on the Piston, so the use of a press or vice is necessary.
- Remove the *Piston Seal Plunger and the *Piston Seal Sleeve from the Piston **1**. Lubricate the *Piston Bullet - Front, Piston shaft and Piston Seal **26** with Molykote® 111 grease.
- Screw the *Piston Guide Sleeve fully into the rear of the Body **2**. Lubricate the bores in both the Body and the *Piston Guide Sleeve with Molykote® 111 grease.
- Connect the spare *Quick Coupler - Female to the Quick Coupler - Male **10** on the Hydraulic Hose - Pull **19**. This will allow air to be released from the pull side of the Piston **1** when inserting the Piston.
- Insert the assembled Piston **1** into the rear of the Body **2** and through the assembled Front Seal Gland **15**. Push the Piston into the fully forward position until it stops against the Front Seal Gland. Hydraulic oil will be expelled from the Hydraulic Hose - Pull **19**. Reasonable force is required to insert the Piston into the Body, so the use of a press or vice may be necessary.
- Remove the spare *Quick Coupler - Female from the Quick Coupler - Male **10** on the Hydraulic Hose - Pull **19**. Remove the *Piston Guide Sleeve from the rear of the Body **2**.
- Slide O-Ring **30** over the End cap **17** and into the external groove. Insert the Spiral Back-up Ring **36** in the same groove, behind the installed O-Ring. Refer to the General Assembly and Parts List for the correct orientation of the O-Ring and Spiral Back-up Ring.
- Press the Rear Bearing Ring **29** into the internal recess within the Rear Seal Gland **16** and then install Rod Seal **28** behind the Rear Bearing Ring. Install the Wiper Seal **31** in the rear recess of the Rear Seal Gland. Refer to the General Assembly to ensure the correct orientation of the Rod Seal and Wiper Seal.

All numbers in **bold** refer to the General Assembly and Parts List on pages 16, 17 and 18.

* Service Kit on page 12.

- Clamp the tool handle in a vice with soft jaws so that the tool is pointing nose down.
- Lubricate the surface and leading edge of the Body **2** bore into which the Rear Seal Gland **16** is to be installed with Molykote® 111 grease.
- Fill the rear of the Body **2** with Enerpac® HF hydraulic oil. Oil level should be just above the rear inlet bore into the Body.
- Connect the spare *Quick Coupler - Male to the Quick Coupler - Female **11** on the Hydraulic Hose – Return **18**. This will allow air to be released from the return side of the Piston **1** when inserting the End cap **17**.
- Lubricate both the internal thread in the Body **2** and the external thread on End Cap **17** with MolyLithium Grease.
- Insert the End Cap **17** into the rear of the Body **2**, taking care not to damage the O-Ring **30** and Spiral Back- up Ring **36** on the Body threads. Screw the End Cap **17** fully into the rear of the Body using the *End Cap Assembly Tool. In doing so, a small amount of oil will be expelled from the Hydraulic Hose - Return **18**.
- Remove the spare *Quick Coupler - Male from the Quick Coupler - Female **11** on the Hydraulic Hose - Return **18**.
- Screw the Collet Adapter **40** on to the Piston **1** until the front face is flush with the end of the Piston. Align the hole in the Collet Adapter with the slot in the end of the Piston and then insert Locking Pin **41**.
- Prime the placing tool as described in Preparation for Use on page 10.

Hose Assembly:

- Remove the two Screws **9** from the Hose Clamp **13** using a 3.0mm Allen Key. Remove the Hose Clamp and Clamp Insert **20** from the Protective Sleeve **37** and Hydraulic Hoses - Return **18** and Pull **19**.
- Using the small flat screwdriver prize the Handle Gator **8** from the handle of Body **2**. Pull the Handle Gator over the Protective Sleeve **37**, Hydraulic Hoses-Return **18** and Pull **19** and remove.
- Cut the Cable Tie **35** and slide back the Protective Sleeve **37** to expose the fittings on the Hydraulic Hoses **18** and **19**. The Hydraulic Hoses can be removed from the Body **2** using 12mm and 14mm spanners.
- The Quick Couplers - Male **10** and Female **11** can be removed from the Hydraulic Hoses **18** and **19** using 18mm and 24mm spanners.
- To remove Trigger Switch **7**, first loosen Cable Gland **38**, so that the Control Cable **14** is free to move within the Body **2**. Then undo M4 Set Screw **12** using a 2.0mm Allen Key.
- Push the Control Cable **14** into the Body **2** and simultaneously pull the Trigger Switch **7** out of the Body to expose the solder joints on the Trigger Switch terminals. Unsolder the terminals to remove the Trigger Switch and Trigger Insert **39**. The Trigger Insert is bonded to the Trigger Switch and cannot be removed.
- The Control Cable **14** can now be pulled from the Body **2** and removed from the Protective Sleeve **37**.

Assemble in reverse order to dismantling noting the following points:

- Prior to assembly clean all threads on the Quick Couplers - Male **10** and Female **11** and the Hydraulic Hoses - Return **18** and Pull **19**. Then apply two to three layers of 10mm PTFE tape to the male threads on both of the Hydraulic Hoses.
- When replacing the Trigger Switch **7** apply *Loctite® 243 to the male thread on the Trigger Switch before assembling the Trigger Insert **39**.
- Apply *Loctite® 243 to M4 Set Screw **12** prior to assembly.
- Once assembled, prime the tool as per the instructions on page 10.

5.8 PROTECTING THE ENVIRONMENT

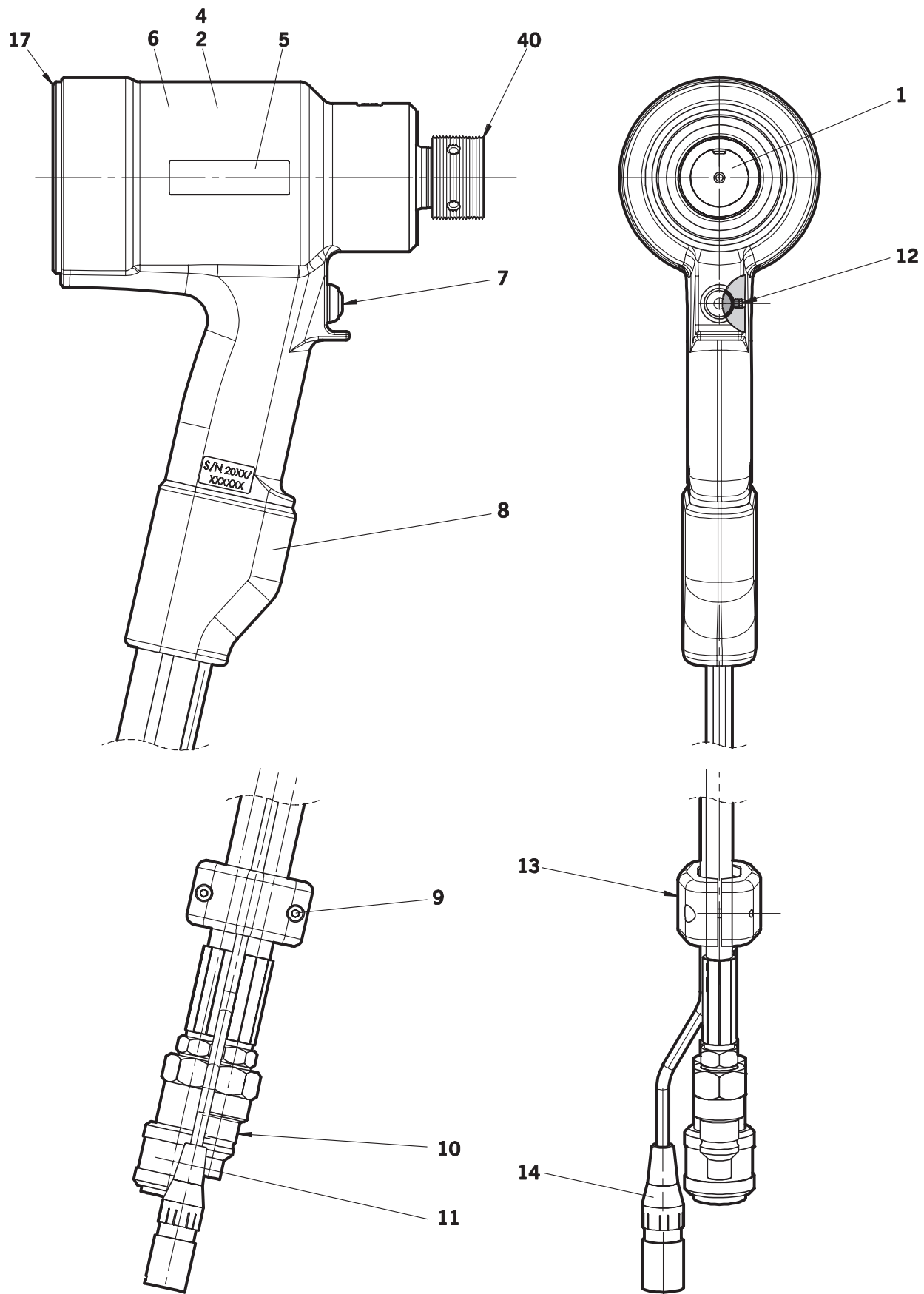
- Assure conformity with applicable disposal regulations. Dispose all waste products at an approved waste facility or site so as not to expose personnel and the environment to hazards.

All numbers in **bold** refer to the General Assembly and Parts List on pages 16, 17 and 18.

* Service Kit on page 12.

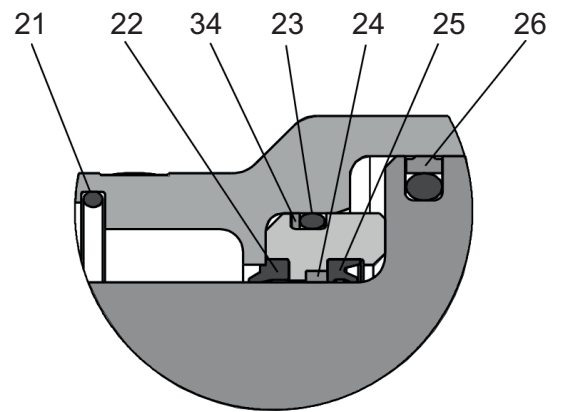
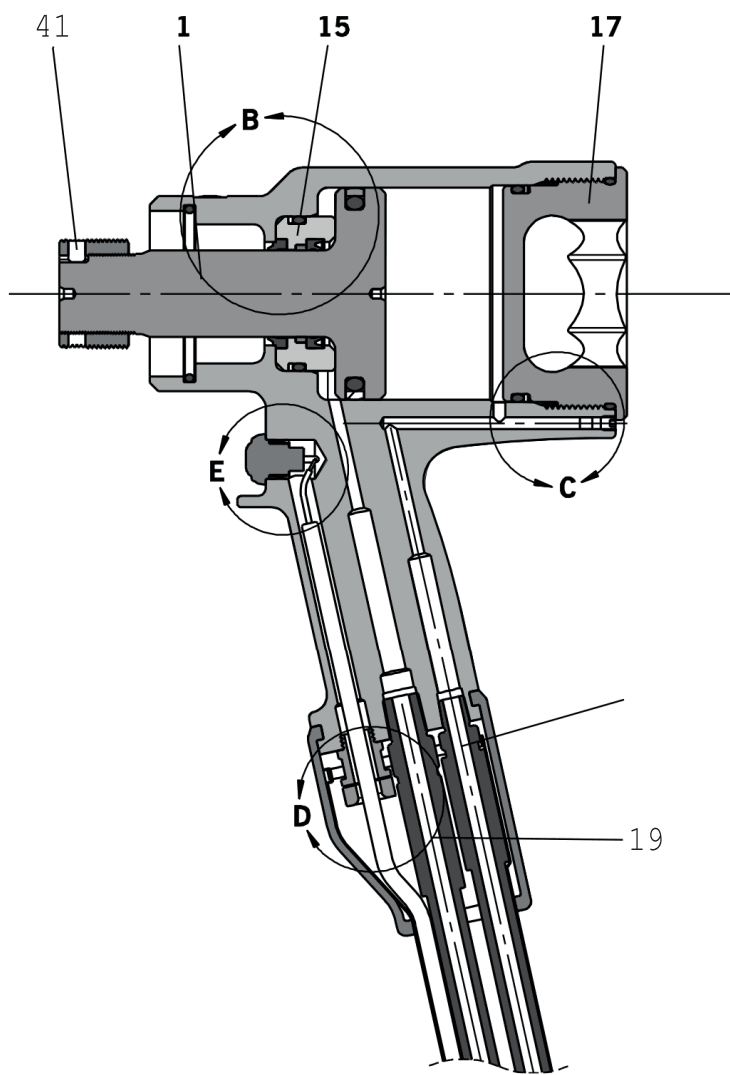
6. GENERAL ASSEMBLY AND PART LIST

6.1 GENERAL ASSEMBLY

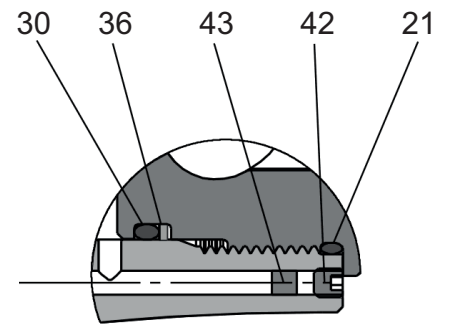


ITEM 37 PROTECTIVE SLEEVE
REMOVED FOR CLARITY

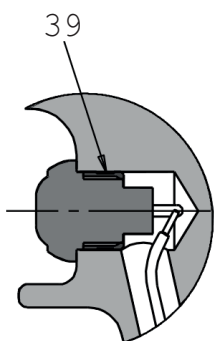
ITEM 37 PROTECTIVE SLEEVE
REMOVED FOR CLARITY



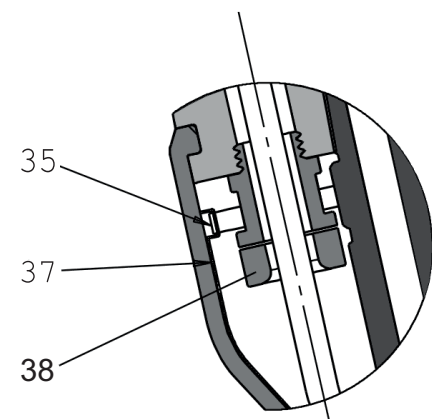
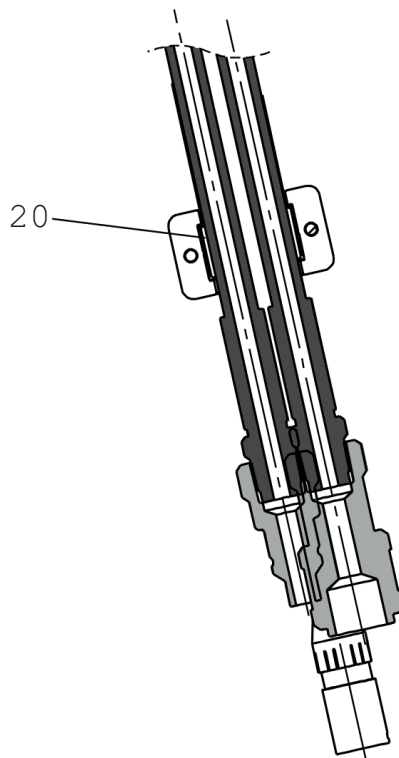
DETAIL B



DETAIL C



DETAIL E



DETAIL D

6.2 PARTS LIST

73432-02000 Parts List			
ITEM	PART NUMBER	DESCRIPTION	QTY.
1	73434-02003	PISTON	1
2	73434-02001	BODY	1
3			
4	73425-02016	SAFETY LABEL	1
5	73434-02026	AV30 LABEL	2
6	07007-01504	CE & UKCA LABEL	1
7	07007-02103	TRIGGER SWITCH	1
8	73430-02020	HANDLE GATOR	1
9	07001-00686	M4 X 16 SKT CAP HD SCREW	2
10	07005-10118	QUICK COUPLER - MALE	1
11	07005-10120	QUICK COUPLER - FEMALE	1
12	07001-00479	M4 X 4 SKT SET SCREW	1
13	73430-02023	HOSE CLAMP	1
14	07007-02105	CONTROL CABLE	1
15	73434-02004	FRONT SEAL GLAND	1
16			
17	73434-02005	END CAP	1
18	07005-10119	HYDRAULIC HOSE - RETURN	1
19	07005-10117	HYDRAULIC HOSE - PULL	1
20	73430-02024	CLAMP INSERT	1
21	07003-00463	O-RING	2
22	07003-00452	WIPER SEAL	1
23	07003-00461	O-RING	1
24	73434-02009	FRONT BEARING RING	1
25	07003-00451	ROD SEAL	1
26	07003-00453	PISTON SEAL	1
27			
28			
29			
30	07003-00464	O-RING	1
31			
32			
33			
34	07003-00494	SPIRAL BACK-UP RING	1
35	07007-02032	CABLE TIE	1
36	07003-00496	SPIRAL BACK-UP RING	1
37	07005-10121	PROTECTIVE SLEEVE	0.6m
38	07007-02104	CABLE GLAND	1
39	73430-02008	TRIGGER INSERT	1
40	73434-02012	COLLET ADAPTER	1
41	73434-02013	LOCKING PIN	1
42	07001-00481	M5 X 5 SKT SET SCREW	1
-	07900-01022	AV30 TOOL INSTRUCTION MANUAL	1

7. SAFETY DATA

7.1 ENERPACE® HF HYDRAULIC OIL - SAFETY DATA

FIRST AID

SKIN:

Unlikely to cause harm to the skin on brief or occasional contact but prolonged or exposure may lead to dermatitis. Wash skin thoroughly with soap and water as soon as reasonably practicable. Remove heavily contaminated clothing and wash underlying skin.

ORAL:

Unlikely to cause harm if accidentally swallowed in small doses, though larger quantities may cause nausea and diarrhea. If contamination of the mouth occurs, wash out thoroughly with water. Except as a deliberate act, the ingestion of large amounts of product is unlikely. If it should occur, do not induce vomiting; obtain medical advice. Take person to nearest medical centre.

EYES:

Unlikely to cause more than transient stinging or redness if accidental eye contact occurs. Wash eyes thoroughly with copious quantities of water, ensuring eyelids are held open. Obtain medical advice if any pain or redness develops or persists.

MEDICAL ADVICE:

Treatment should in general be symptomatic and directed to relieving any effects.

Note: High Pressure Applications:

Injections through the skin, resulting from contact with the product at high pressure, constitute a major medical emergency. Injuries may not appear serious at first but within a few hours tissue becomes swollen, discolored and extremely painful with extensive subcutaneous necrosis.

Surgical exploration should be undertaken without delay. Thorough and extensive debridement of the wound and underlying tissue is necessary to minimize tissue loss and prevent or limit permanent damage. Note that high pressure may force the product considerable distances along tissue planes.

DISPOSAL

Remove all spills with inert absorbent material. Ventilate spill area. Place contaminated materials in a disposable container and dispose in a manner consistent with local regulations.

FIRE

FLASH POINT: 200°C.

Extinguish with either dry chemical, foam or carbon dioxide. Do not enter confined space without self contained breathing apparatus.

HANDLING

Use barrier cream or oil resistant gloves.

STORAGE

Undercover and consistent with local regulations for inflammable material.

7.2 MOLYLITHIUM GREASE EP 3753 - SAFETY DATA

Grease can be ordered as a single item, the part number is shown in the Service Kit page 12.

FIRST AID

SKIN:

As the grease is completely water resistant it is best removed with an approved emulsifying skin cleaner.

INGESTION:

Ensure the individual drinks 30ml Milk of Magnesia, preferably in a cup of milk.

EYES:

Irritant but not harmful. Irrigate with water and seek medical attention.

FIRE

FLASH POINT: Above 220°C.

Not classified as flammable.

Suitable extinguishing media: CO₂, Halon or water spray if applied by an experienced operator.

ENVIRONMENT

Scrape up for incineration or disposal on approved site.

HANDLING

Use barrier cream or oil resistant gloves

STORAGE

Away from heat and oxidising agent.

7.3 MOLYKOTE® 111 GREASE - SAFETY DATA

Grease can be ordered as a single item, the part number is shown in the Service Kit page 12.

FIRST AID

SKIN:

No first aid should be needed.

INGESTION:

No first aid should be needed.

EYES:

No first aid should be needed.

INHALATION:

No first aid should be needed.

FIRE

FLASH POINT: Above 101.1°C. (closed cup)

Explosive Properties: No

Suitable Extinguishing Media: Carbon Dioxide Foam, Dry Powder or fine water spray. Water can be used to cool fire exposed containers.

ENVIRONMENT

No adverse effects are predicted.

HANDLING

General ventilation is recommended. Avoid eye contact.

STORAGE

Do not store with oxidizing agents. Keep container closed and store away from water or moisture.

8. FAULT DIAGNOSIS

SYMPTOM	POSSIBLE CAUSE	REMEDY	PAGE REF.
Placing Tool will not operate	Inoperative pump unit	Check pump power supply and refer to pump unit instruction manual	
	Faulty Quick Couplers 10 and 11	Replace Quick Couplers	15
	Trigger Control Cable 14 not connected correctly	Check Control Cable is correctly connected at pump and placing tool	10
Trigger Switch 7 does not function	Damaged Trigger Switch 7 or Control Cable 14	Replace Trigger Switch and/or Control Cable	15
	Pump in local mode	Refer to pump instruction manual	
Pump running but placing tools does not function	Trigger Switch 7 , Control Cable 14 or connector damaged	Replace Trigger Switch and/or Control Cable	15
	Hydraulic Hoses not connected	Check for correct connections at pump and placing tool	10
	Low oil level	Ensure placing tool is filled with oil and correctly primed Refer to pump instruction manual	10
	Placing tool external oil leak	Inspect placing tool – replace worn or damaged components	13 - 15
	Hose Assembly external oil leak	Inspect Hose Assembly – ensure hose connections are tight and/or replace damaged hose connectors	15
	Pump internal/external oil leak	Refer to pump instruction manual	
Placing tool operates erratically	Low or erratic hydraulic pressure supply	Refer to pump instruction manual	
	Worn or damaged hydraulic seals in placing tool	Inspect placing tool – replace worn or damaged seals	13 - 15
	Worn or damaged hydraulic sealing surfaces in placing tool	Inspect placing tool – replace worn or damaged components	13 - 15
	Pump internal/external oil leak	Refer to pump instruction manual	
Pump builds full pressure, but pintail does not break	Breakload greater than placing tool capacity at full pressure	Refer to placing tool specification	7
	Flow to placing tool blocked	Check Quick Couplers 10 and 11 for full engagement	10
	Pump pressure relief value set too low	Adjust pressure relief valve settings – refer to pump instruction manual	
	Pull grooves on fastener pintail stripped	See symptom on page 22	11
	Improper tool operation		11

SYMPTOM	POSSIBLE CAUSE	REMEDY	PAGE REF.
Placing tool Piston 1 will not return	Return flow restricted or blocked	Check Quick Couplers 10 and 11 for full engagement and/or fault	10
	Hydraulic Hoses not connected	Check for correct connections at pump and placing tool	10
	Pump valve malfunction	Refer to pump instruction manual	
	Pump Return Timer setting incorrect – set too low	Adjust Return Timer to recommended setting – refer to pump instruction manual	
Placing tool does not eject the collar from the anvil	Pump return pressure relief valve set too low	Adjust return pressure relief valve to correct setting – refer to pump instruction manual	
	Low or erratic hydraulic pressure supply	Refer to pump instruction manual	
	Worn or damaged hydraulic seals in placing tool	Inspect placing tool – replace worn or damaged seals	13 - 15
	Worn or damaged hydraulic sealing surfaces in placing tool	Inspect placing tool – replace worn or damaged components	13 - 15
	Pump internal/external oil leak	Refer to pump instruction manual	
Pull grooves on fastener pintail stripped during installation	Operator not pushing nose completely onto fastener pintail before operating tool	Instruct operator in correct installation method	11
	Incorrect fastener length / grip length	Use correct fastener	
	Worn or damaged jaw segments	Check and replace jaw set – refer to nose equipment datasheet	11
	Debris in jaw segments and/or pintail grooves	Clean jaw segments – refer to nose equipment datasheet	
	Excessive sheet gap	Close gap between sheets	11
Avdelok® or Avbolt® collar not fully swaged Pintail fails to release from nose equipment	Improper tool operation		11
	Worn Anvil bore	Check and replace Anvil – refer to nose equipment datasheet	
	Incorrect assembly of nose equipment	Refer to nose equipment datasheet	
Placing tool and Hydraulic oil runs hot	Restriction in hydraulic line	Check hydraulic Quick Couplers 10 and 11 and replace if necessary	15
	High ambient temperature		
Hydraulic Quick Couplers 10 and 11 leak oil	Worn O-Ring in body of Quick Coupler Male 10	Replace O-Ring and Back-up Ring in Quick Coupler 10	15

All numbers in **bold** refer to the General Assembly and Parts List on pages 16, 17 and 18.

* Service Kit on page 12.

9. EC DECLARATION OF CONFORMITY

We, **Stanley Engineered Fastening, Stanley House, Works Road, Letchworth Garden City, Hertfordshire, SG6 1JY UNITED KINGDOM**, declare under our sole responsibility that the product:

Description: AV30 HYDRO-ELECTRIC POWER TOOL

Model: AV30 STRUCTURAL TOOL – 73434-02000

to which this declaration relates is in conformity with the following harmonized standards:

ISO 12100:2010	EN ISO 3744:2010
EN ISO 11202:2010	EN ISO 11148-1:2011
EN ISO 4413:2010	EN ISO 20643:2008+A1:2012
EN ISO 4414:2010	ES100118-rev 17:2017
EN ISO 28927-5:2009+A1:2015	

Technical documentation is compiled in accordance with Annex 1, section 1.7.4.1, in accordance with the following Directive: **2006/42/EC The Machinery Directive** (Statutory Instruments 2008 No 1597 - The Supply of Machinery (Safety) Regulations refers).

The undersigned makes this declaration on behalf of STANLEY Engineered Fastening



A. K. Seewraj

Director of Engineering, UK

Avdel UK Limited, Stanley House, Works Road, Letchworth Garden City, Hertfordshire,
SG6 1JY UNITED KINGDOM

Place of issue: Letchworth Garden City, UK

Date of issue: 12-12-2011

The undersigned is responsible for compilation of the technical file for products sold in the European Union and makes this declaration on behalf of Stanley Engineered Fastening.

Matthias Appel

Team Leader Technical Documentation

Stanley Engineered Fastening, Tucker GmbH, Max-Eyth-Str.1,
35394 Gießen, Germany



**This machinery is in conformity with
Machinery Directive 2006/42/EC**

10. UK DECLARATION OF CONFORMITY

We, **Stanley Engineered Fastening, Stanley House, Works Road, Letchworth Garden City, Hertfordshire, SG6 1JY UNITED KINGDOM**, declare under our sole responsibility that the product:

Description: AV30 HYDRO-ELECTRIC POWER TOOL


Model: AV30 STRUCTURAL TOOL – 73434-02000

to which this declaration relates is in conformity with the following harmonized standards:

ISO 12100:2010	EN ISO 3744:2010
EN ISO 11202:2010	EN ISO 11148-1:2011
EN ISO 4413:2010	EN ISO 20643:2008+A1:2012
EN ISO 4414:2010	ES100118-rev 17:2017
EN ISO 28927-5:2009+A1:2015	

Technical documentation is compiled in accordance with the Supply of Machinery (Safety) Regulations 2008, S.I. 2008/1597 (as amended).

The undersigned makes this declaration on behalf of STANLEY Engineered Fastening



A. K. Seewraj

Director of Engineering, UK

Avdel UK Limited, Stanley House, Works Road, Letchworth Garden City, Hertfordshire,
SG6 1JY UNITED KINGDOM

Place of issue: Letchworth Garden City, UK

Date of issue: 12-12-2011



This machinery is in conformity with
Supply of Machinery (Safety) Regulations 2008,
S.I. 2008/1597 (as amended)

11. PROTECT YOUR INVESTMENT!

Stanley® Engineered Fastening BLIND RIVET TOOL WARRANTY

STANLEY® Engineered Fastening warrants that all power tools have been carefully manufactured and that they will be free from defect in material and workmanship under normal use and service for a period of one (1) year.

This warranty applies to the first time purchaser of the tool for original use only.

Exclusions:

Normal wear and tear.

Periodic maintenance, repair and replacement parts due to normal wear and tear are excluded from coverage.

Abuse & Misuse.

Defect or damage that results from improper operation, storage, misuse or abuse, accident or neglect, such as physical damage are excluded from coverage.

Unauthorized Service or Modification.

Defects or damages resulting from service, testing adjustment, installation, maintenance, alteration or modification in any way by anyone other than STANLEY® Engineered Fastening, or its authorized service centres, are excluded from coverage.

All other warranties, whether expressed or implied, including any warranties of merchantability or fitness for purpose are hereby excluded.

Should this tool fail to meet the warranty, promptly return the tool to our factory authorized service centre location nearest you. For a list of STANLEY® Engineered Fastening Authorized Service Centres in the US or Canada, contact us at our toll free number (877)364 2781.

Outside the US and Canada, visit our website www.StanleyEngineeredFastening.com to find your nearest STANLEY Engineered Fastening location.

STANLEY Engineered Fastening will then replace, free of charge, any part or parts found by us to be defective due to faulty material or workmanship, and return the tool prepaid. This represents our sole obligation under this warranty.

In no event shall STANLEY Engineered Fastening be liable for any consequential or special damages arising out of the purchase or use of this tool.

Register Your Blind Rivet Tool online.

To register your warranty online, visit us at

<https://www.stanleyengineeredfastening.com/support/warranty-registration-form>

Thank you for choosing a STANLEY® Engineered Fastening's Stanley Assembly Technologies Brand tool.

©2019 STANLEY Black & Decker Tous droits réservés.

Les informations fournies ne peuvent être ni reproduites ni rendues publiques de quelque façon que ce soit et par quelque moyen que ce soit (électronique ou mécanique) sans autorisation préalable, expresse et écrite, de STANLEY Engineered Fastening. Les informations fournies sont issues des données connues au moment de la sortie de ce produit. STANLEY Engineered Fastening adopte une politique d'amélioration permanente de ses produits et ces derniers peuvent donc faire l'objet de modifications. Les informations fournies s'appliquent au produit tel que livré par STANLEY Engineered Fastening. Par conséquent, STANLEY Engineered Fastening ne saurait être tenu responsable des dommages résultant de différences avec les caractéristiques d'origine du produit.

Les informations disponibles ont été rédigées avec le plus grand soin. Toutefois, STANLEY Engineered Fastening rejette toute responsabilité concernant les éventuelles erreurs dans les informations et les conséquences qu'elles pourraient entraîner. STANLEY Engineered Fastening rejette toute responsabilité quant aux dommages résultant d'activités effectuées par des tiers. Les appellations, noms commerciaux, marques commerciales déposées, etc. utilisés par STANLEY Engineered Fastening ne sont pas libres de droit, conformément à la législation sur la protection des marques.

TABLE DES MATIÈRES

1. DÉFINITIONS LIÉES À LA SÉCURITÉ	28
1.1 RÈGLES DE SÉCURITÉ GÉNÉRALE	28
1.2 RISQUES DE PROJECTIONS	29
1.3 RISQUES LIÉS AU FONCTIONNEMENT	29
1.4 RISQUES LIÉS À LA RÉPÉTITION DES MOUVEMENTS	29
1.5 RISQUES LIÉS AUX ACCESSOIRES.....	29
1.6 RISQUES LIÉS AU POSTE DE TRAVAIL.....	30
1.7 RISQUES LIÉS AU BRUIT.....	30
1.8 RISQUES LIÉS AUX VIBRATIONS	30
1.9 CONSIGNES DE SÉCURITÉ SUPPLÉMENTAIRES PROPRES AUX OUTILS ÉLECTROHYDRAULIQUES	30
2. CARACTÉRISTIQUES	32
2.1 UTILISATION PRÉVUE	32
2.2 CARACTÉRISTIQUES DE L'OUTIL	32
2.3 DIMENSIONS DE L'OUTIL	33
3. MISE EN SERVICE.....	34
3.1 PRINCIPE DE FONCTIONNEMENT	34
3.2 PRÉPARATION POUR L'UTILISATION.....	35
4. INSTRUCTIONS POUR LE FONCTIONNEMENT	36
4.1 POUR POSER UNE FIXATION AVBOLT®	36
4.2 POUR POSER UNE FIXATION AVDELOK® XT	36
5. REVISION DE L'OUTIL	37
5.1 ENTRETIEN JOURNALIER.....	37
5.2 ENTRETIEN HEBDOMADAIRE	37
5.3 RÉVISION ANNUELLE / TOUTES LES 150 000 UTILISATIONS.....	37
5.4 KIT DE RÉVISION	37
5.5 OUTILS POUR L'ENTRETIEN	37
5.6 HUILE HYDRAULIQUE	37
5.7 INSTRUCTIONS POUR LE DÉMONTAGE	38
5.8 PROTECTION DE L'ENVIRONNEMENT.....	41
6. PLAN D'ENSEMBLE ET NOMENCLATURE	42
6.1 PLAN D'ENSEMBLE.....	42
6.2 NOMENCLATURE	44
7. DONNÉES DE SÉCURITÉ	45
7.1 DONNÉES DE SÉCURITÉ - HUILE HYDRAULIQUE ENERPAC® HF	45
7.2 DONNÉES DE SÉCURITÉ - GRAISSE MOLYLITHIUM EP 3753	45
7.3 DONNÉES DE SÉCURITÉ - GRAISSE MOLYKOTE® 111	46
8. DIAGNOSTIC DE PANNES	47
9. DÉCLARATION DE CONFORMITÉ CE	49
10. DÉCLARATION DE CONFORMITÉ ROYAUME-UNI	50
11. PROTÉGEZ VOTRE INVESTISSEMENT !.....	51



Ce manuel d'utilisation doit être lu par toute personne installant ou utilisant cet outil, en portant une attention particulière aux consignes de sécurité qui suivent.



Veillez à toujours porter une protection oculaire pouvant résister aux impacts lorsque vous utilisez l'outil. La classe de protection nécessaire doit être définie en fonction de chaque utilisation.



L'utilisation de l'outil peut exposer les mains de l'opérateur à des risques dont l'écrasement, les coups, les coupures, les éraflures et la chaleur. Portez des gants adaptés pour protéger vos mains.



Utilisez une protection auditive conformément aux instructions de votre employeur et telle que prescrite par la réglementation sur la santé et la sécurité au travail.

1. DÉFINITIONS LIÉES À LA SÉCURITÉ

Les définitions ci-dessous décrivent la gravité de chaque mention d'avertissement. Veillez à lire le manuel et à faire attention à ces symboles.



DANGER : Indique une situation de risque imminent, qui conduit, si elle n'est pas évitée, à la mort ou à de graves blessures.



AVERTISSEMENT : Indique une situation de risque potentiel qui **pourrait**, si elle n'est pas évitée, engendrer la mort ou de graves blessures.



ATTENTION : Indique une situation de risque potentiel qui **peut**, si elle n'est pas évitée, engendrer des blessures bénignes et légères.



ATTENTION : L'utilisation de ce mot sans symbole d'avertissement indique une situation potentiellement risquée, qui **peut**, si elle n'est pas évitée, engendrer des dégâts matériels.

L'utilisation ou la maintenance incorrectes de ce produit peut conduire à de graves blessures et des dommages matériels.

Veillez à lire à bien comprendre tous les avertissements et toutes les instructions d'utilisation avant d'utiliser cet équipement. L'utilisation d'outils électriques impose le respect des consignes de sécurité de base afin de réduire le risque de blessure.

CONSERVEZ TOUS LES AVERTISSEMENTS ET TOUTES LES CONSIGNES POUR POUVOIR VOUS Y RÉFÉRER DANS LE FUTUR.

1.1 RÈGLES DE SÉCURITÉ GÉNÉRALE

- En raison des nombreux risques, veillez à lire et à assimiler les consignes de sécurité avant d'installer l'outil, de le faire fonctionner, de le réparer, d'en effectuer la maintenance et avant de remplacer un accessoire ou de travailler à proximité de l'outil. Le non-respect de cette consigne peut entraîner de graves blessures.
- L'installation, le réglage et l'utilisation de l'outil sont réservés aux seuls opérateurs, qualifiés et correctement formés.
- N'utilisez PAS l'outil à d'autres fins que l'utilisation prévue, à savoir, la pose de rivets aveugles STANLEY Engineered Fastening.
- N'utilisez que des pièces, fixations et accessoires, recommandés par le fabricant.
- NE modifiez PAS cet outil. Les modifications peuvent réduire l'efficacité des dispositifs de sécurité et augmenter les risques encourus par l'opérateur. Toute modification de l'outil réalisée par le client l'est sous sa propre et entière responsabilité et aura pour conséquence d'annuler toute garantie applicable.
- Ne jetez pas les consignes de sécurité ; transmettez-les à l'opérateur.
- N'utilisez pas l'outil s'il a été endommagé.
- Avant utilisation, contrôlez l'alignement et le raccordement des pièces mobiles, l'absence de rupture des pièces ainsi que toute autre condition qui pourrait affecter le fonctionnement de l'outil. En cas de dommage, faites réparer l'outil avant de l'utiliser. Retirez toutes les clés ou pinces de réglage avant l'utilisation.
- Les outils doivent être inspectés périodiquement afin de contrôler que les valeurs nominales et les marquages prescrits par la partie applicable de la norme ISO 11148 figurent lisiblement sur l'outil. L'employeur/l'utilisateur doit contacter le fabricant pour obtenir des étiquettes de marquage de rechange en cas de nécessité.
- L'outil doit en permanence être conservé en bon état de marche, l'absence de dommages et son bon fonctionnement doivent être vérifiés à intervalles réguliers par des personnes qualifiées. Les opérations de démontage sont réservées aux seuls personnes qualifiées. Ne démontez pas cet outil sans avoir au préalable consulté les instructions liées à la maintenance.

1.2 RISQUES DE PROJECTIONS

- Débranchez l'outil de la pompe hydraulique avant d'effectuer toute opération de maintenance, de réglage ou de fixer et de retirer l'embout de rivetage ou un accessoire.
- Gardez à l'esprit qu'une défaillance de l'ouvrage, des accessoires ou de l'outil lui-même peut engendrer des projections à grande vitesse.
- Veillez à toujours porter une protection oculaire pouvant résister aux impacts lorsque vous utilisez l'outil. La classe de protection nécessaire doit être définie en fonction de chaque utilisation.
- Il est également nécessaire, au même moment, de définir les risques possibles pour les tiers.
- Veillez à ce que l'ouvrage soit fixé de façon sûre.
- Contrôlez que les moyens de protection contre l'éjection des fixations et/ou des mandrins sont correctement en place et opérationnels.
- Restez vigilant par rapport la possible éjection forcée des mandrins par l'avant de l'outil.
- NE faites PAS fonctionner l'outil en le dirigeant vers quiconque.

1.3 RISQUES LIÉS AU FONCTIONNEMENT

- L'utilisation de l'outil peut exposer les mains de l'opérateur à des risques dont l'écrasement, les coups, les coupures, les éraflures et la chaleur. Portez des gants adaptés pour protéger vos mains.
- Les opérateurs et le personnel de maintenance doivent être physiquement capables d'appréhender le volume, le poids et la puissance de l'outil.
- Tenez correctement l'outil ; restez prêt à pouvoir contrer tous ses mouvements, normaux ou inattendus et gardez vos deux mains disponibles.
- Gardez les poignées de l'outil sèches, propres et exemptes d'huile ou de graisse.
- Conservez une posture équilibrée et gardez vos pieds bien ancrés au sol lorsque vous utilisez l'outil.
- Relâchez le dispositif de mise en marche/arrêt en cas de coupure de l'alimentation hydraulique.
- N'utilisez que les lubrifiants recommandés par le fabricant.
- Évitez tout contact avec le fluide hydraulique. Afin de minimiser le risque d'éventuelles irrptions cutanées, rincez abondamment en cas de contact.
- Les fiches de données de sécurité matière pour toutes les huiles et tous les lubrifiants hydrauliques sont disponibles sur demande auprès de votre fournisseur en outillage.
- Évitez toutes les postures inadaptées car elles ne permettent pas de contrer les mouvements normaux ou inattendus de l'outil.
- Si l'outil est installé sur un dispositif de suspension, veillez à ce qu'il soit correctement sécurisé.
- Gardez à l'esprit le risque d'écrasement ou de pincement si le nez n'est pas installé.
- N'utilisez PAS l'outil si le porte-nez n'est pas en place.
- Le dégagement des mains de l'utilisateur de l'outil est nécessaire avant l'intervention.
- Lorsque vous déplacez l'outil d'un endroit à un autre, gardez vos mains éloignées de la gâchette afin d'éviter un déclenchement accidentel.
- NE maltraitez PAS l'outil en le faisant tomber ou en vous en servant comme d'un marteau.
- Prenez soin de veiller à ce que les restes de mandrins ne créent pas de risque.

1.4 RISQUES LIÉS À LA RÉPÉTITION DES MOUVEMENTS

- En utilisant l'outil, il est possible que l'opérateur ressente un certain inconfort dans les mains, les bras, les épaules, le cou ou d'autres parties du corps.
- En utilisant l'outil, l'opérateur doit adopter une posture confortable mais sûre et éviter les maladresses et les déséquilibres. L'utilisateur doit changer de position au cours des longues opérations pour aider à éviter l'inconfort et la fatigue.
- Si l'opérateur présente des symptômes persistants et récurrents tels qu'un inconfort, des douleurs, des endolorissements, des picotements, des engourdissements, des sensations de brûlure ou des rigidités, n'ignorez pas ces signaux d'alerte. L'opérateur doit en référer à son employeur et consultez un professionnel de santé spécialisé.

1.5 RISQUES LIÉS AUX ACCESSOIRES

- Débranchez l'outil de l'alimentation hydraulique et de l'alimentation électrique avant d'installer ou de retirer l'embout de rivetage ou un accessoire.
- N'utilisez que des accessoires et des consommables de la taille et du type recommandés par le fabricant de l'outil. N'utilisez pas d'autres types ou tailles d'accessoires ou de consommables.

1.6 RISQUES LIÉS AU POSTE DE TRAVAIL

- Le glissements, les trébuchements et les chutes sont les causes principales des accidents de travail. Faites attention aux surfaces glissantes dues à l'utilisation de l'outil ainsi qu'aux risques de trébuchement que représentent les flexibles pneumatiques et hydrauliques.
- Faites preuve de vigilance dans les environnements inconnus. Ils peuvent présenter des risques cachés, comme les risques liés à l'électricité ou aux autres réseaux de fluides.
- L'outil n'est pas destiné à être utilisé dans des environnements potentiellement explosifs et il n'est pas isolé contre les contacts électriques.
- Assurez-vous de l'absence de câbles électriques, de conduites de gaz, etc. qui pourraient créer un risque s'ils sont endommagés par l'utilisation de l'outil.
- Portez des vêtements appropriés. Ne portez aucuns vêtements amples, ni bijoux. Gardez vos cheveux, vos vêtements et vos gants éloignés des pièces mobiles. Les vêtements amples, les bijoux et les cheveux longs peuvent se trouver pris dans les pièces mobiles.
- Prenez soin de veiller à ce que les restes de mandrins ne créent pas de risque.

1.7 RISQUES LIÉS AU BRUIT

- Toute exposition à des niveaux sonores élevés peut provoquer une perte de l'audition invalidante et permanente ainsi que d'autres problèmes tels que des acouphènes (tintements, bourdonnements, sifflements ou ronronnements dans les oreilles). C'est la raison pour laquelle, l'évaluation des risques et la mise en œuvre de contrôles adaptés à ces risques sont essentiels.
- Les contrôles adaptés pour réduire ces risques peuvent inclure des actions comme la mise en place de matériaux insonorisants pour empêcher les ouvrages de "résonner".
- Utilisez une protection auditive conformément aux instructions de votre employeur et telle que prescrite par la réglementation sur la santé et la sécurité au travail.
- Veillez à utiliser et à entretenir l'outil de la façon recommandée par la présente notice, afin d'empêcher l'augmentation inutile du niveau sonore.

1.8 RISQUES LIÉS AUX VIBRATIONS

- L'exposition aux vibrations peut engendrer des dommages invalidants sur les nerfs et la circulation sanguine au niveau des mains et des bras.
- Veillez à porter des vêtements chauds lorsque vous travaillez dans le froid et à garder vos mains au chaud et au sec.
- Si vous ressentez des engourdissements, des picotements, des douleurs ou que la peau de vos doigts et de vos mains blanchit, n'utilisez plus l'outil, avertissez votre employeur et consultez un médecin.
- Soutenez, autant que possible, le poids de l'outil à l'aide d'un support, d'un dispositif tenseur ou d'un balancier car ils permettent de tenir l'outil avec moins de force.

1.9 CONSIGNES DE SÉCURITÉ SUPPLÉMENTAIRES PROPRES AUX OUTILS ÉLECTROHYDRAULIQUES

- L'alimentation hydraulique de service ne doit pas dépasser 550 bars (8000 PSI).
- L'huile sous pression peut provoquer de graves blessures.
- N'installez pas de flexibles hydrauliques calibrés pour une pression de service inférieure à 700 bars (10 000 PSI) pour un débit de 2,73 l/min (200 in³/min).
- Ne laissez jamais l'outil en marche sans surveillance. Débranchez le flexible hydraulique et le câble électrique de la pompe lorsque l'outil n'est pas utilisé, avant de remplacer un accessoire ou pour effectuer des réparations.
- L'effet "coup de fouet" des flexibles peut occasionner de graves blessures. Contrôlez toujours l'absence de dommages et la bonne fixation des flexibles et des raccords.
- Avant l'utilisation, contrôlez l'absence de dommages sur les flexibles hydrauliques. Tous les raccords hydrauliques doivent être propres et parfaitement raccordés et serrés avant l'utilisation. Ne faites tomber aucun objet lourd sur les flexibles. Un choc brutal peut occasionner des dommages internes et conduire à la rupture prématurée du flexible.
- Si vous utilisez des raccords universels à tourner (raccords à griffes), des goupilles de blocage doivent être installées et des câbles de sécurité doivent être utilisés comme protection contre les "effets coup de fouet" en cas de défaillance des raccordements flexible/outil ou flexible/flexible.
- Ne soulevez PAS l'outil de pose par le flexible ou le câble électrique. Utilisez toujours la poignée de l'outil.
- Ne tirez PAS sur la pompe hydraulique et ne la déplacez pas en utilisant les flexibles. Utilisez toujours la poignée ou l'arceau de la pompe.
- Gardez le système hydraulique exempt de toute saleté ou corps étranger qui pourraient provoquer la panne de l'outil.

- Veillez à n'utiliser que de l'huile et du matériel propres pour le remplissage.
- Veillez à n'utiliser que des fluides hydrauliques préconisés.
- Les appareils électriques ont besoin que de l'air circule librement pour les refroidir et il doivent donc être placés dans une zone bien ventilée et exempte de fumées dangereuses.
- La température du fluide hydraulique au niveau de l'arrivée ne doit pas dépasser 110°C (230°F).

La politique de STANLEY Engineered Fastening prévoit le développement et l'amélioration constants des produits et nous nous réservons le droit de modifier les caractéristiques techniques de tous les produits sans notification préalable.

2. CARACTÉRISTIQUES

2.1 UTILISATION PRÉVUE

L'outil de pose AV™ 30 est principalement composé d'un ensemble piston et cylindre. Raccordé hydrauliquement et électriquement à une source d'alimentation hydraulique compatible et équipé d'un embout de pose adapté, il peut servir à poser des fixations Avbolt® 1/2" / 5/8" et Avdelok® XT 1/2" à 3/4" dans les milieux industriels.

L'outil de pose et la pompe hydraulique ne doivent être utilisés que conformément aux instructions d'utilisation pour la pose de rivets de structure Stanley Engineered Fastening.

Consultez le tableau ci-dessous pour obtenir la liste des fixations et embouts compatibles.

Consultez les fiches techniques mentionnées dans le tableau pour obtenir les instructions liées à l'embout rivetage approprié.

N'UTILISEZ PAS l'équipement dans un environnement humide ou en présence de liquides ou de gaz inflammables.

FIXATION		EMBOUT DE RIVETAGE			EMBOUT DE RIVETAGE FICHE
TYPE	TAILLE	NUMÉRO DE PIÈCE	DIM. "A"	DIM. "B"	NUMÉRO DE PIÈCE
AVBOLT®	1/2"	73412-03600	113 mm	43 mm	07900-00905
	5/8"	73412-03400	113 mm	52 mm	07900-00905
AVDELOK® XT	1/2"	73412-03100	113 mm	43 mm	07900-00919
	5/8"	73412-03200	115 mm	48 mm	07900-00919
	3/4"	73412-03300	134 mm	56 mm	07900-00919

*Embout de rivetage avec système de libération de la pince.

Consultez l'illustration de la page 33 pour pouvoir identifier les dimensions "A" et "B" de l'embout de rivetage.

Les consignes de sécurité doivent être respectées en permanence.

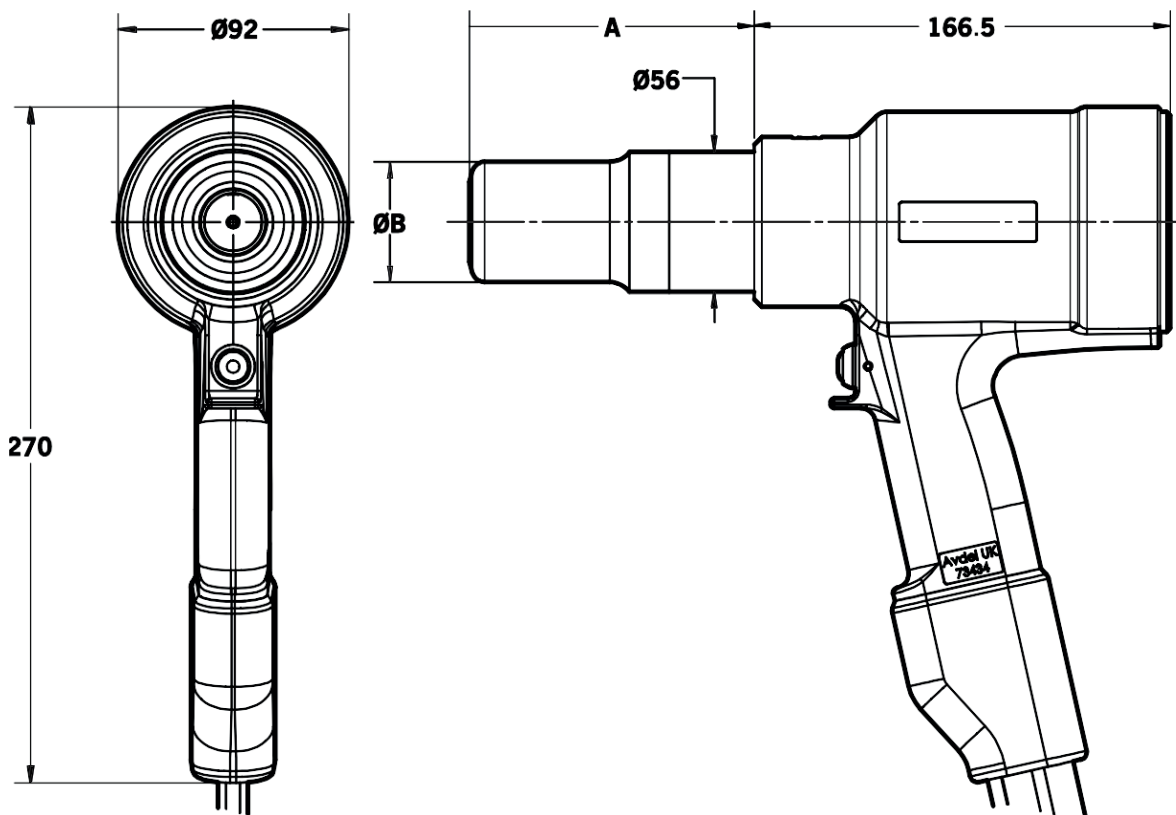
2.2 CARACTÉRISTIQUES DE L'OUTIL

CARACTÉRISTIQUES		MESURES MÉTRIQUES	MESURES IMPÉRIALES
Force :	Traction à la pression définie	175,0 kN	39341,0 lbf
	Extraction à la pression de retour définie	80,0 kN	17985,0 lbf
Pression :	Traction	510 bars	7397 PSI
	Retour	200 bars	2901 PSI
Course :	Course du piston	41,0 mm	1,61 in
Poids :	Sans embout	6,9 kg	15,3 lb
Huile hydraulique :	Huile hydraulique Enerpac® – HF-95X		
Gamme de produits :	Avbolt®	12,7 à 15,9 mm	1/2 à 5/8 in
	Avdelok® XT	12,7 à 19,1 mm	1/2 à 3/4 in
Caractéristiques supplémentaires :	Éjection de la tige, avant ou arrière	À l'avant	
	Disposition du joint	Joints à lèvres et joints racleurs	
	Bagues de roulement hydrauliques	Oui - À l'avant	
	Gaine de protection poignée/flexible	Oui	
	Protection tuyau	Oui	
	Systèmes de retenue tuyau/câble	Oui	

Valeurs sonores définies conformément aux tests sonores de la norme ISO 15744 et ISO 3744.		AV30
Niveau de puissance sonore pondérée A dB (A), L_{WA}	Incertitude pour le bruit : $k_{WA} = 3,0$ dB(A)	94,3 dB(A)
Niveau de pression sonore pondérée-A émise au poste de travail dB(A), L_{pA}	Incertitude pour le bruit : $k_{pA} = 3,0$ dB(A)	83,3 dB(A)
Crête du niveau de pression sonore émis pondéré C dB(C), L_{pC} crête	Incertitude pour le bruit : $k_{pC} = 3,0$ dB(C)	128,1 dB(C)

Valeurs des vibrations définies conformément aux tests sonores de la norme ISO 20643 et ISO 5349.		AV30
Niveau des vibrations émises, a_{hd} :	Incertitude pour les vibrations : $k = 0,48$ m/s ²	0,952 m/s ²
Valeurs des vibrations émises déclarées selon la norme EN 12096		

2.3 DIMENSIONS DE L'OUTIL



Toutes les dimensions sont indiquées en millimètres.

Consultez le tableau de la page 32 pour pouvoir identifier les dimensions "A" et "B" de l'embout de rivetage.

L'outil est équipé de deux tuyaux hydrauliques et d'un câble de commande électrique de 0,6m de long. D'autres longueurs de flexibles hydrauliques et des rallonges de câble sont disponibles, à commander séparément selon les besoins. Consultez le tableau ci-dessous pour obtenir la liste des longueurs de flexible disponibles et les références correspondantes.

ENSEMBLE FLEXIBLE HYDRAULIQUE	
NUMÉRO DE PIÈCE	LONGUEUR DU FLEXIBLE
07008-00448	5 mètres
07008-00449	10 mètres
07008-00450	15 mètres

3. MISE EN SERVICE

3.1 PRINCIPE DE FONCTIONNEMENT

IMPORTANT - VEILLEZ À SOIGNEUSEMENT LIRE LES CONSIGNES DE SÉCURITÉ DES PAGES 28 – 31 ET LA NOTICE D'UTILISATION DE LA POMPE AVANT LA MISE EN SERVICE.

Lorsque les flexibles et le câble de commande sont raccordés à la pompe hydraulique Avdel® / Enerpac®, les cycles de traction et de retour de l'outil sont contrôlés en enfonçant et en relâchant la gâchette située sur la poignée.

Lorsque l'interrupteur est enfoncé, l'électrovanne située dans la pompe hydraulique est alimentée et elle dirige le flux d'huile sous pression pour tirer le côté du piston dans l'outil de pose. Elle permet également à l'huile de retourner dans le réservoir côté retour de l'outil de pose.

Pendant le cycle de traction l'ensemble piston/pince se déplace vers l'arrière de l'outil en permettant au coussinet du joint torique de pousser le dispositif suiveur et les mâchoires vers l'avant. Lorsque la tige d'une fixation a été insérée dans l'embout de rivetage, les mâchoires se verrouillent sur l'extrémité de la tige et l'assemblage débute.

Avec les rivets Avbolt® et Avdelok® XT, le cycle de pose fixe d'abord la jonction à fixer puis, alors que l'enclume continue son déplacement vers l'avant, la collerette est sertie dans les cannelures de blocage de la tige. À la fin du cycle de sertissage, l'enclume entre en contact avec le point d'assemblage et, alors que le déplacement se poursuit, la queue de la tige est rompue.

L'interrupteur à gâchette doit immédiatement être relâché après la rupture de la tige. Le relâchement de l'interrupteur permet que l'électrovanne coupe l'alimentation et inverse le sens de circulation de l'huile sous pression.

Si la gâchette n'est pas relâchée, le piston de l'outil de pose continue son déplacement vers l'arrière de l'outil jusqu'à atteindre la fin de sa course. La pression, côté traction, augmente alors jusqu'à ce que la valeur "Pression haute" prédéfinie soit atteinte par la pompe. À ce stade, l'électrovanne est automatiquement désactivée et elle inverse la circulation de l'huile sous pression vers le côté retour de l'outil de pose.

Dans les deux cas, l'huile sous pression circule alors dans le côté retour de l'outil de pose, l'huile du côté traction retournant dans le réservoir.

Le mouvement vers l'avant de l'ensemble piston/collet éjecte la fixation installée de l'enclume.

Au moment où la gâchette est relâchée ou quand la valeur "Pression haute" est atteinte, l'alimentation de l'électrovanne est coupée et une "Minuterie Retour" à une valeur prédéfinie est activée. Celle-ci contrôle la durée de la poursuite du fonctionnement du moteur de la pompe avant le passage en mode Veille. Il est possible de régler manuellement la minuterie entre 5 et 20 secondes pour garantir que le piston de l'outil de pose revienne toujours complètement vers sa position avant (consultez la notice de la pompe 07900-01030, pages 10 et 13).

Une fois le piston complètement revenu à sa position avant, la pression augmente jusqu'à la valeur Basse pression définie - c200bar. Le moteur de la pompe continue à tourner jusqu'à la fin de la Minuterie Retour. Après ce délai, le moteur s'arrête automatiquement et la vanne passe en position d'attente. L'électrovanne effectue alors automatiquement un cycle pour libérer l'huile sous pression dans le réservoir, des côtés, traction et retour, de l'outil de pose.

Ceci permet de maintenir l'outil de pose en position avant. À ce stade, il n'y a aucune pression dans le système hydraulique.

Le pompe hydraulique démarre automatiquement quand l'interrupteur à gâchette de l'outil est enfoncé.

3.2 PRÉPARATION POUR L'UTILISATION

ATTENTION - UNE PRESSION DE TRACTION ET DE RETOUR CORRECTES SONT ESSENTIELLES AU BON FONCTIONNEMENT DE L'OUTIL. DES BLESSURES OU L'ENDOMMAGEMENT DE L'OUTIL PEUVENT ÊTRE OCCASIONNÉS SI LA PRESSION EST INCORRECTE. LA PRESSION DE TRACTION ET LA PRESSION DE RETOUR FOURNIES PAR LA POMPE HYDRAULIQUE NE DOIVENT PAS DÉPASSER LES PRESSIONS MENTIONNÉES DANS LES CARACTÉRISTIQUES DE L'OUTIL DE POSE.

IMPORTANT - AVANT DE METTRE EN SERVICE L'OUTIL DE POSE ET LES TUYAUX HYDRAULIQUES :

VEILLEZ À CE QUE LES SOUPAPES DE DÉTENTE DE LA POMPE SOIENT RÉGLÉES CONFORMÉMENT AUX INSTRUCTIONS RELATIVES À LA POMPE ET AUX PRESSIONS MAXIMALES INDIQUÉES POUR L'OUTIL DE POSE ET LES FLEXIBLES.

VEILLEZ À CE QUE LE JEU DE FLEXIBLES SOIT AMORCÉ AVEC DU FLUIDE HYDRAULIQUE, CONFORMÉMENT À LA PROCÉDURE INDIQUÉE DANS LA NOTICE D'UTILISATION DE LA POMPE 07900-01030.

- Veillez à ce que l'alimentation électrique de la pompe hydraulique soit coupée.
- Raccordez le raccord rapide du flexible hydraulique de l'outil de pose directement à la pompe avant de brancher le câble de commande électrique. Les flexibles et le câble de commande doivent être raccordés dans cet ordre et débranchés dans l'ordre inverse.
- Activez l'alimentation secteur de la pompe hydraulique électriquement. Attendez 5 secondes que la pompe termine sa séquence de démarrage avant d'appuyer sur l'interrupteur à gâchette. Une fois tous les réglages effectués, l'écran LCD de la pompe affiche "AVDEL".
- Pendant la séquence de démarrage, le système de commande de la pompe identifie tout actionnement de la gâchette comme un dysfonctionnement potentiel et il empêche alors le démarrage du moteur. L'écran LCD affiche alors "BUTTON FAULT (ERREUR BOUTON)" dans ce cas. Procédez à une réinitialisation en coupant l'alimentation électrique pendant 10 secondes.
- Veillez à ce que l'outil de pose se trouve sous les réservoirs de la pompe. Appuyez sur la gâchette de l'outil de pose et relâchez-la plusieurs fois, presque jusqu'en butée, pour faire circuler le fluide hydraulique et pour purger l'air de l'outil.
- Contrôlez l'action de l'outil. Vérifiez l'absence de fuite de fluide et contrôlez qu'en mode Attente, le piston se trouve complètement en position avant. L'outil de pose doit alors être amorcé.
- Coupez l'alimentation électrique de la pompe hydraulique et débranchez l'outil de pose de la pompe dans l'ordre inverse à celui décrit ci-dessus.
- Raccordez alors l'outil de pose aux flexibles hydrauliques amorcés et au câble de commande électrique. Raccordez ensuite les raccords rapides des flexibles hydrauliques et du câble de commande électrique à la pompe.
- Installez l'embout de rivetage sur l'outil en respectant les instructions mentionnées sur la fiche technique de l'embout de rivetage en question.
- Activez l'alimentation secteur de la pompe hydraulique, comme décrit ci-dessus.
- Appuyez sur la gâchette de l'outil de pose et relâchez-la plusieurs fois, presque jusqu'en butée, pour faire circuler le fluide hydraulique.
- L'outil de pose est alors prêt à l'emploi.

4. INSTRUCTIONS POUR LE FONCTIONNEMENT

4.1 POUR POSER UNE FIXATION AVBOLT®

- Contrôlez l'ouvrage et supprimez tout jeu excessif. Le jeu représente l'espace entre les composants de l'assemblage. Le jeu est excessif si la queue de la tige dépassant de la collerette n'est pas assez grande pour être saisie par les mors de l'embout de rivetage).
- Placez une fixation Avbolt® dans le trou.
- Poussez l'embout de rivetage sur la tige jusqu'à ce que l'enclume de l'embout de rivetage bute contre la collerette. L'outil et l'embout de rivetage doivent être tenus à angle droit (90°) par rapport à l'ouvrage.
- Enfoncez la gâchette de l'outil pour lancer le cycle de pose.
- Relâchez la gâchette lorsque le déplacement de l'enclume de l'embout de rivetage vers l'avant cesse et que la queue de la tige se brise. L'outil effectue sa course de retour et il repousse la fixation posée. À la fin de la course retour les mâchoires relâchent partiellement la queue de la tige qui peut alors être retirée en inclinant le nez de l'outil vers le bas.
- Une fois la fixation posée éjectée, l'outil et l'embout de rivetage sont de nouveau prêts pour la pose suivante.

4.2 POUR POSER UNE FIXATION AVDELOK® XT

- Contrôlez l'ouvrage et supprimez tout jeu excessif. Le jeu représente l'espace entre les composants de l'assemblage. Le jeu est excessif si la queue de la tige dépassant de la collerette n'est pas assez grande pour être saisie par les mors de l'embout de rivetage).
- Placez une fixation Avdelok® TX dans le trou.
- Glissez une collerette Avdelok® TX sur la tige. (L'extrémité biseautée de la collerette doit pointer vers l'embout de rivetage et l'outil).
- Poussez l'embout de rivetage sur la tige jusqu'à ce que l'enclume de l'embout de rivetage bute contre la collerette. L'outil et l'embout de rivetage doivent être tenus à angle droit (90°) par rapport à l'ouvrage.
- Enfoncez la gâchette de l'outil pour lancer le cycle de pose.
- Relâchez la gâchette lorsque le déplacement de l'enclume de l'embout de rivetage vers l'avant cesse et que la queue de la tige se brise. L'outil effectue sa course de retour et il repousse la fixation posée. À la fin de la course retour les mâchoires relâchent partiellement la queue de la tige qui peut alors être retirée en inclinant le nez de l'outil vers le bas.
- Une fois la fixation posée éjectée, l'outil et l'embout de rivetage sont de nouveau prêts pour la pose suivante.

ATTENTION - NE TENTEZ PAS DE BRISER UNE QUEUE DE TIGE SANS AVOIR INSTALLÉ DE COLLERETTE CAR CELA PROVOQUERAIT L'ÉJECTION DE LA PARTIE NON FIXÉE DE LA QUEUE DE LA TIGE AVDELOK® OU AVBOLT® DE L'EMBOUT DE POSE À UNE TRÈS GRANDE VITESSE ET AVEC BEAUCOUP DE FORCE.

5. REVISION DE L'OUTIL

IMPORTANT - VEILLEZ À LIRE LES CONSIGNES DE SÉCURITÉ DES PAGES 28 - 31. L'EMPLOYEUR EST CHARGÉ DE GARANTIR QUE LES INSTRUCTIONS DE MAINTENANCE DE L'OUTIL SONT TRANSMISES AU PERSONNEL CONCERNÉ. L'UTILISATEUR NE DOIT PAS PRENDRE PART À LA MAINTENANCE OU À LA RÉPARATION DE L'OUTIL À MOINS D'AVOIR ÉTÉ CORRECTEMENT FORMÉ POUR. L'OUTIL DOIT ÊTRE RÉGULIÈREMENT EXAMINÉ POUR CONTRÔLER L'ABSENCE DE DOMMAGE OU DE DYSFONCTIONNEMENT.

5.1 ENTRETIEN JOURNALIER

- Contrôlez l'absence de fuites d'huile sur l'outil de pose, les flexibles et les raccords rapides.
- Les flexibles et les raccords usés ou endommagés doivent être remplacés.
- Contrôlez que la course de l'outil correspond bien aux recommandations.
- Contrôlez que le déflecteur de tige est correctement installé.
- Contrôlez que la soupape de détente pour la traction/déplacement de la pompe fonctionne correctement.
- Contrôlez l'usure de l'enclume par les éventuelles traces d'entailles sur la collerette installée. Cela peut également être déterminé en consultant les données d'installation dans le catalogue des fixations. Une usure excessive peut entraîner la rupture de l'enclume.

5.2 ENTRETIEN HEBDOMADAIRE

- Démontez et nettoyez l'embout de rivetage et notamment les mâchoires, comme indiqué dans la fiche technique de l'embout de rivetage correspondant.
- Contrôlez l'absence de fuites d'huile sur l'outil de pose, les flexibles et les raccords rapides

ATTENTION - N'utilisez jamais de solvants ou d'autres produits chimiques décapants pour nettoyer les pièces non métalliques de l'outil. Ces produits chimiques pourraient attaquer la matière de ces pièces.

5.3 RÉVISION ANNUELLE / TOUTES LES 150 000 UTILISATIONS

- Tous les 150 000 cycles, l'outil doit être complètement démonté et tous les composants usés, endommagés ou dont le remplacement est recommandé, doivent alors être remplacés. Tous les joints toriques, bagues d'appui et joints d'étanchéité doivent être remplacés et lubrifiés avec de la graisse MolyKote® 111 avant le remontage.

5.4 KIT DE RÉVISION

Le kit de révision suivant est mis à disposition pour procéder à une révision complète :

KIT DE RÉVISION : 73432-99990			
NUMÉRO DE PIÈCE	DÉSIGNATION	NUMÉRO DE PIÈCE	DÉSIGNATION
07005-10118	Raccord rapide mâle	07900-00972	Tige de guidage garniture avant AV30
07005-10120	Raccord rapide femelle	07900-00963	AV30 Douille de guidage Piston
07900-00958	Bouchon d'extrémité Corps de l'outil	07992-00020	Graisse – MolyLithium EP3753
07900-00969	Manchon d'étanchéité Piston AV30	07900-00755	Graisse – Molykote® 111
07900-00970	Plongeur Joint piston AV30	07900-00756	Frein de filet Loctite® 243
07900-00971	AV30 Masselotte piston - Avant		

5.5 OUTILS POUR L'ENTRETIEN

Les outils classiques suivants sont également nécessaires :

- Clé Allen : 2,0 / 3,0 mm
- Clé plate : 12 / 14 / 18 / 24 / 45 mm A/F
- Ruban PTFE : 10 mm
- Étau d'ingénieur avec protège mâchoires – 150 mm

5.6 HUILE HYDRAULIQUE

ATTENTION – N'utilisez que de l'huile hydraulique Enerpac® HF. L'utilisation d'une autre huile pourrait provoquer le dysfonctionnement de l'outil de pose et de la pompe en plus d'annuler la garantie de l'outil de pose.

L'huile hydraulique est disponible sur commande avec les numéros de pièces qui suivent.

HUILE HYDRAULIQUE			
NUMÉRO DE PIÈCE	07992-00081	07992-00082	07992-00083
N° de pièce Enerpac®	HF-95X	HF-95Y	HF-95T
Volume	1 litre	5 litres	20 litres
Viscosité	32 mm ² /s	32 mm ² /s	32 mm ² /s

5.7 INSTRUCTIONS POUR LE DÉMONTAGE

IMPORTANT - VÉRIFIEZ QUE L'ALIMENTATION ÉLECTRIQUE DE LA POMPE HYDRAULIQUE EST COUPÉE AVANT DE RETIRER L'EMBOÛT DE POSE OU DE DÉMONTÉ L'OUTIL.

Avant le démontage :

- Débranchez les raccords rapides **10** et **11** et le câble de commande électrique **14** entre l'outil de rivetage et l'ensemble Flexible hydraulique.
- Retirez l'embout de rivetage de l'outil de pose en respectant les instructions mentionnées sur la fiche technique de l'embout de rivetage concerné.
- Les substances potentiellement dangereuses qui peuvent se déposer sur la machine lors des processus de travail doivent être nettoyées avant de procéder à la maintenance.

Pour la révision complète de l'outil, nous vous conseillons de procéder au démontage de l'outil en respectant l'ordre indiqué dans les pages 38 à 41. Après le démontage de l'outil, nous vous conseillons de remplacer tous les joints d'étanchéité.

Ensemble Tête de piston :

- À l'aide d'un petit tournevis plat, retirez la tige **41** de l'adaptateur de la pince **40**.
- Dévissez et retirez l'adaptateur de la pince **40** du piston **1**.
- Fixez la poignée de l'outil dans un étau à mâchoires souples, nez de l'outil vers le bas.
- Raccordez le *raccord rapide mâle en surplus au raccord rapide femelle **11** sur le flexible hydraulique côté retour **18**. Cela permet de libérer la pression côté retour du piston **1** et de faciliter le retrait du bouchon d'extrémité **17**.
- Insérez le corps de *l'outil de montage du bouchon d'extrémité dans le bouchon d'extrémité **17**.
- À l'aide d'une clé A/F 24 mm, dévissez et retirez le bouchon d'extrémité **17**, du corps **2**.
- À l'aide d'un petit tournevis plat, retirez le joint torique **21** du bouchon d'extrémité **17** et jetez-le.
- À l'aide d'un petit tournevis plat ou d'un outil similaire, retirez le joint torique **30** et la bague d'appui en spirale **36**, de la rainure extérieure du bouchon d'extrémité **17** et jetez-les. En retirant les joints, veillez à ne pas endommager la surface du bouchon d'extrémité avec le tournevis.
- Retirez l'outil de pose de l'étau et videz l'huile hydraulique par l'arrière de l'outil. Retirez le *raccord rapide mâle du raccord rapide femelle **11**.
- Raccordez le *raccord rapide en surplus femelle au raccord rapide mâle **10** sur le flexible hydraulique côté traction **19**. Cela permet de libérer la pression côté traction du piston **1** et de faciliter le retrait du piston **1**.
- Vissez le *cylindre du piston avant à l'avant du piston **1**.
- Posez le corps **2** nez vers le haut sur un établi. À l'aide d'un maillet souple, frappez le piston **1** vers l'arrière du corps et hors de l'extrémité arrière, en veillant à ne pas endommager l'alésage du corps.
- Gardez à l'esprit qu'au moment du retrait du piston **1**, il est possible que de l'huile fuit par l'avant et l'arrière du corps **2**.
- Au moment du retrait du piston **1**, il est possible que la garniture du joint avant **15** reste coincée sur la tige du piston. Si cela arrive, dévissez la *masselotte du piston avant et sortez la garniture du joint avant du piston.
- Le joint du piston **26** est un joint composé de deux pièces, une bague d'étanchéité extérieure et un joint torique intérieur. À l'aide d'un petit couteau, découpez la bague d'étanchéité extérieure et retirez-la de la rainure extérieure du piston **1**. Ensuite, à l'aide d'un petit tournevis plat, retirez le joint torique intérieur du piston et jetez-le. En retirant les joints, veillez à ne pas endommager la surface du piston.
- Si la garniture du joint avant **15** est toujours coincée dans le corps **2**. Placez le corps, nez vers le haut, sur un établi et poussez la garniture du joint avant par l'avant jusqu'à ce qu'elle soit libérée du renforcement dans le corps. La garniture

Tous les chiffres en **gras** font référence au plan d'ensemble et la nomenclature des pages 42, 43 et 44.

* Kit de révision page 37.

du joint avant peut ensuite être retirée de l'extrémité arrière du corps. Veillez à ne pas endommager l'alésage dans le corps pendant l'intervention.

- À l'aide d'un petit tournevis plat retirez le joint torique **23** et la bague d'appui en spirale **34** de la rainure extérieure de la garniture du joint avant **15** et jetez-les. En retirant les joints, veillez à ne pas endommager la surface la garniture du joint avant avec le tournevis.
- Retirez le joint de la tige **25** et le joint racleur **22** des rainures à l'intérieur de la garniture du joint avant **15** et jetez-les. En retirant les joints, veillez à ne pas endommager la surface la garniture du joint avant avec le tournevis.
- Retirez la bague de roulement avant **24** et contrôlez l'absence d'usure et de dommages sur la pièce. Jetez-la si nécessaire.
- À l'aide d'un petit tournevis plat, retirez le joint torique **21** du corps **2** et jetez-le.
- Retirez le *raccord rapide femelle en surplus du raccord rapide mâle 10 sur le flexible hydraulique côté traction **19**.
- Ne retirez pas la vis de blocage **42** du corps **2**.

Ré-assemblez en inversant les instructions de démontage en respectant les points suivants :

- Nettoyez tous les composants avant de les assembler.
- Afin de faciliter l'installation des joints, appliquez une fine couche de graisse Molykote® 111 sur tous les joints, rainures, bagues d'appui et outils de montage.
- Glissez le joint torique **23** par-dessus la garniture du joint avant **15** et dans la rainure extérieure. Insérez la bague d'appui en spirale **34** dans la même rainure, devant le joint torique déjà en place. Consultez le plan d'ensemble et la nomenclature pour savoir dans quel sens installer le joint torique et la bague d'appui en spirale.
- Enfoncez la bague de roulement avant **24** dans le renforcement à l'intérieur de la garniture du joint avant **15** puis installez le joint de la tige **25** derrière la bague de roulement avant. Installez le joint racleur **22** dans le renforcement à l'avant de la garniture du joint avant. Consultez le plan d'ensemble pour être sûr du sens dans lequel installer le joint de la tige et le joint racleur.
- Lubrifiez la surface et le bord d'attaque de l'alésage du corps **2** dans lequel la garniture du joint avant **15** sera installée avec de la graisse Molykote® 111.
- Lubrifiez l'embout de *l'outil de guidage pour la garniture du joint avant puis installez parfaitement la garniture du joint avant **15**, le joint de tige **25**, extrémité en premier, sur l'embout. Insérez la *tige de guidage pour la garniture du joint avant à l'arrière du corps **2** puis poussez complètement la garniture du joint avant dans l'alésage à l'intérieur du corps. Une force raisonnable est nécessaire pour insérer complètement la garniture du joint avant dans le corps, l'utilisation d'une presse ou d'un étau peut donc être nécessaire. Retirez la *tige de guidage de la garniture du joint avant en veillant à ce que la garniture du joint avant reste bien en place.
- Lubrifiez la rainure du joint et le pourtour extérieur du piston **1** avec de la graisse Molykote® 111. Glissez le joint du piston **26** sur l'avant du périmètre extérieur du piston et à l'intérieur de la rainure du joint.
- Vissez la *masselotte du piston avant sur le piston **1**. Positionnez le manchon du joint de piston sur la tige du piston puis installez le joint d'étanchéité extérieur du joint du piston **26** sur le manchon du joint du piston de sorte qu'il repose sur le pourtour conique. Lubrifiez la surface du manchon du joint de piston avec de la graisse Molykote® 111.
- Installez le *plongeur du joint du piston sur la tige du piston **1** et sur le *manchon du joint du piston, de sorte que l'extrémité ouverte du *plongeur du joint du piston repose sur la bague d'étanchéité extérieure du joint du piston **26**. À l'aide du plongeur du joint du piston, poussez la bague d'étanchéité extérieure sur le manchon du joint du piston et dans la rainure du joint du piston. Une force raisonnable est nécessaire pour évaser et insérer complètement la bague d'étanchéité extérieure sur le piston, l'utilisation d'une presse ou d'un étau peut donc être nécessaire.
- Retirez le *plongeur du joint du piston et le manchon du joint de piston du piston **1**. Lubrifiez la *masselotte du piston avant, la tige du piston et le joint du piston **26** avec de la graisse Molykote® 111.
- Vissez le *manchon de guidage du piston dans le corps **2** par l'arrière. Lubrifiez les alésages du corps et du *manchon de guidage du piston avec de la graisse Molykote® 111.
- Raccordez le *raccord rapide en surplus femelle au raccord rapide mâle **10** sur le flexible hydraulique côté traction **19**. Cela permet de libérer l'air du piston côté traction **1** au moment de l'insertion du piston.
- Insérez le piston assemblé **1** dans le corps **2** par l'arrière et à travers la garniture du joint assemblée **15**. Poussez complètement le piston vers l'avant jusqu'à ce qu'il butte contre la garniture du joint avant. Il est possible que de l'huile hydraulique ressorte du flexible hydraulique côté traction **19**. Une force raisonnable est nécessaire pour insérer complètement la garniture du joint avant dans le corps, l'utilisation d'une presse ou d'un étau peut donc être nécessaire.
- Retirez le *raccord rapide femelle en surplus du raccord rapide mâle **10** sur le flexible hydraulique côté traction **19**. Retirez le *manchon de guidage du piston du corps **2** par l'arrière.

Tous les chiffres en **gras** font référence au plan d'ensemble et la nomenclature des pages 42, 43 et 44.

* Kit de révision page 37.

- Glissez le joint torique **30** par-dessus le bouchon d'extrémité **17** et dans la rainure extérieure. Insérez la bague d'appui en spirale **36** dans la même rainure, derrière le joint torique déjà en place. Consultez le plan d'ensemble et la nomenclature pour savoir dans quel sens installer le joint torique et la bague d'appui en spirale.
- Enfoncez la bague de roulement avant **29** dans le renforcement à l'intérieur de la garniture du joint avant **16** puis installez le joint de la tige **28** derrière la bague de roulement avant. Installez le joint racleur **31** dans le renforcement à l'arrière de la garniture du joint avant. Consultez le plan d'ensemble pour être sûr du sens dans lequel installer le joint de la tige et le joint racleur.
- Fixez la poignée de l'outil dans un étau à mâchoires souples, nez de l'outil vers le bas.
- Lubrifiez la surface et le bord d'attaque de l'alésage du corps **2** dans lequel la garniture du joint avant **16** sera installée avec de la graisse Molykote® 111.
- Remplissez l'arrière du corps **2** avec de l'huile hydraulique Enerpac® HF. Le niveau d'huile doit se trouver juste au-dessus de l'alésage d'entrée à l'arrière du corps.
- Raccordez le *raccord rapide mâle en surplus au raccord rapide femelle **11** sur le flexible hydraulique côté retour **18**. Cela permet de libérer l'air du piston côté retour du piston **1** au moment de l'insertion du bouchon d'extrémité **17**.
- Lubrifiez à la fois le filetage intérieur du corps **2** et le filetage extérieur du bouchon d'extrémité **17** avec de la graisse MolyLithium.
- Insérez le bouchon d'extrémité **17** dans le corps **2** par l'arrière en veillant à ne pas endommager le joint torique **30** et la bague d'appui en spirale **36** avec les filetages du corps. Vissez complètement le bouchon d'extrémité **17** à l'arrière du corps à l'aide du * outil de montage pour le bouchon d'extrémité. Cette opération engendre l'expulsion d'une petite quantité d'huile par le flexible hydraulique côté retour **18**.
- Retirez le *raccord rapide mâle du raccord rapide femelle **11** sur le flexible hydraulique côté retour **18**.
- Vissez l'adaptateur de la pince **40** sur le piston **1** jusqu'à ce que la face avant soit à fleur de l'extrémité du piston. Alignez le trou dans l'adaptateur de la pince avec la fente sur l'extrémité du piston puis insérez la goupille de blocage **41**.
- Amorcez l'outil de rivetage tel que décrit dans Préparation pour l'utilisation, page 35.

Installation des flexibles :

- Retirez les deux vis **9** du collier de serrage **13** à l'aide d'un clé Allen de 3,0 mm. Retirez le collier de serrage et l'insert de fixation **20** du manchon de protection **37** et les flexibles hydrauliques côté retour **18** et traction **19**.
- À l'aide d'un petit tournevis plat sortez la poignée Gator **8** de la poignée du corps **2**. Tirez la poignée Gator par-dessus le manchon de protection **37**, les flexibles hydrauliques côté retour **18** et traction **19** et retirez-la.
- Coupez le serre-câble **35** et reglissez le manchon de protection **37** pour mettre à nu les raccords des flexibles hydrauliques **18** et **19**. Les flexibles hydrauliques peuvent être retirés du corps **2** à l'aide de clés de 12 mm et de 14 mm.
- Les raccords rapides, mâle **10** et femelle **11** peuvent être retirés des flexibles hydrauliques **18** et **19** à l'aide de clés de 18mm et 24mm.
- Pour retirer l'interrupteur à gâchette **7**, desserrez d'abord le presse-étoupe **38**, de sorte que le câble de commande **14** puisse librement bouger à l'intérieur du corps **2**. Puis retirez la vis de blocage M4 **12** à l'aide d'une clé Allen 2,0mm.
- Poussez le câble de commande **14** dans le corps **2** en tirant simultanément l'interrupteur à gâchette **7** hors du corps pour mettre à nu les joints soudés sur les bornes de l'interrupteur à gâchette. Dessoudez les bornes pour retirer l'interrupteur à gâchette et l'insert de la gâchette **39**. L'insert de la gâchette est collé à l'interrupteur à gâchette et il ne peut pas être retiré.
- Le câble de commande **14** peut alors être retiré du corps **2** et du manchon de protection **37**.

Ré-assemblez en inversant les instructions de démontage en respectant les points suivants :

- Avant l'assemblage, nettoyez tous les filetages des raccords rapides, mâle **10** et femelle **11** et des flexibles hydrauliques côté Retour **18** et Traction **19**. Appliquez ensuite deux ou trois couches de ruban PTFE 10mm sur le filetage mâle des deux flexibles hydrauliques.
- Au moment du remplacement de l'interrupteur à gâchette **7**, appliquez de la*Loctite® 243 sur le filetage mâle de l'interrupteur à gâchette avant d'installer l'insert de la gâchette **39**.
- Appliquez de la *Loctite® 243 sur la vis de blocage M4 **12** avant le montage.
- Une fois l'assemblage terminé, amorcez l'outil en respectant les instruction de la page 35.

Tous les chiffres en **gras** font référence au plan d'ensemble et la nomenclature des pages 42, 43 et 44.

* Kit de révision page 37.

5.8 PROTECTION DE L'ENVIRONNEMENT

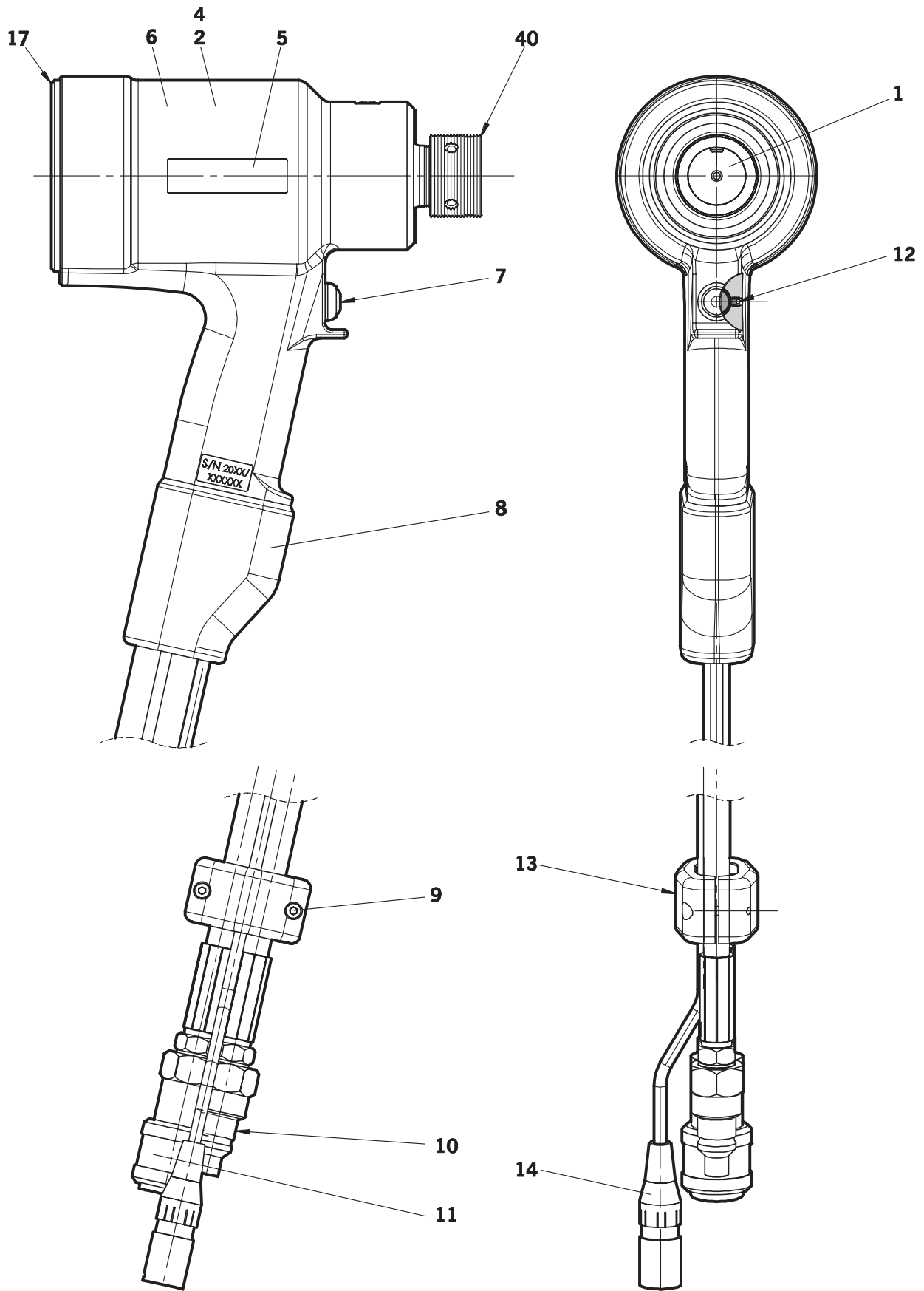
- Veillez à respecter toutes les dispositions des réglementations en vigueur. Jetez tous les déchets dans une centre de déchets agréé afin de ne pas exposer le personnel et l'environnement à des risques.

Tous les chiffres en **gras** font référence au plan d'ensemble et la nomenclature des pages 42, 43 et 44.

* Kit de révision page 37.

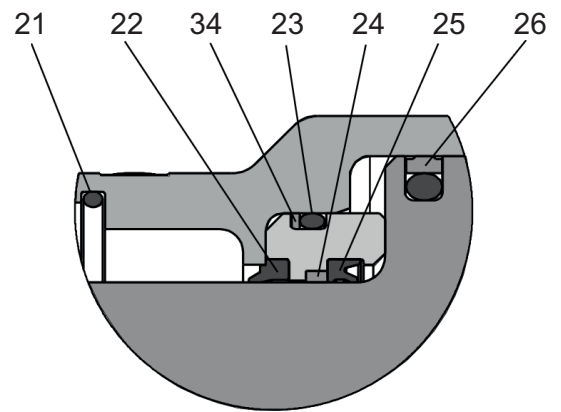
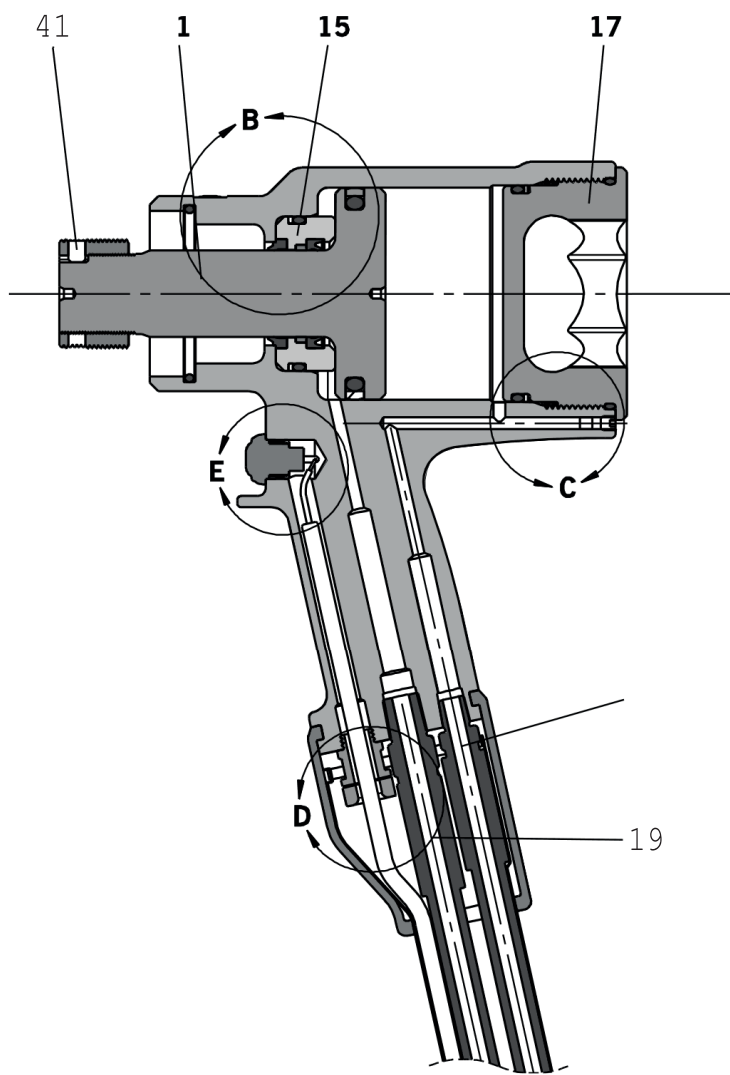
6. PLAN D'ENSEMBLE ET NOMENCLATURE

6.1 PLAN D'ENSEMBLE

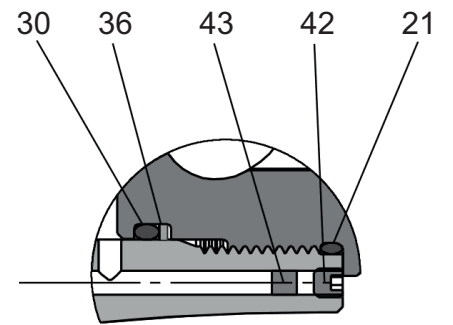


ITEM 37 PROTECTIVE SLEEVE
REMOVED FOR CLARITY

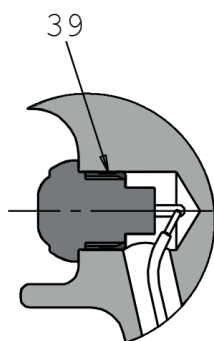
ITEM 37 PROTECTIVE SLEEVE
REMOVED FOR CLARITY



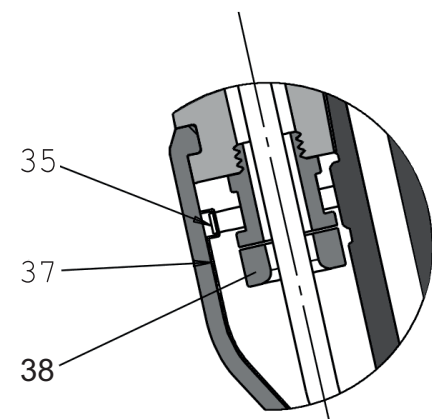
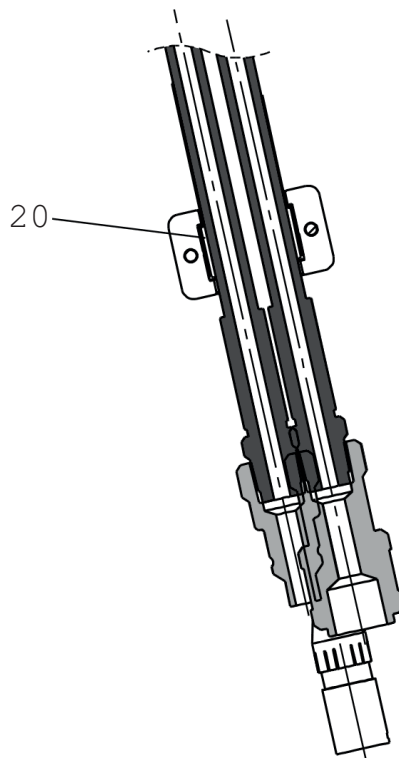
DETAIL B



DETAIL C



DETAIL E



DETAIL D

6.2 NOMENCLATURE

Nomenclature 73432-02000			
ÉLÉMENT	NUMÉRO DE PIÈCE	DÉSIGNATION	QTÉ
1	73434-02003	PISTON	1
2	73434-02001	CORPS	1
3			
4	73425-02016	ÉTIQUETTE DE SÉCURITÉ	1
5	73434-02026	AV30 LABEL	2
6	07007-01504	ÉTIQUETTE CE et UKCA	1
7	07007-02103	INTERRUPTEUR À GÂCHETTE	1
8	73430-02020	POIGNÉE GATOR	1
9	07001-00686	VIS À TÊTE CYLINDRIQUE À SIX PANS CREUX M4 X 16	2
10	07005-10118	RACCORD RAPIDE MÂLE	1
11	07005-10120	RACCORD RAPIDE FEMELLE	1
12	07001-00479	VIS DE BLOCAGE À SIX PANS CREUX M4 X 4	1
13	73430-02023	COLLIER DE SERRAGE	1
14	07007-02105	CÂBLE DE COMMANDE	1
15	73434-02004	GARNITURE DE JOINT AVANT	1
16			
17	73434-02005	BOUCHON D'EXTRÉMITÉ	1
18	07005-10119	FLEXIBLE HYDRAULIQUE, CÔTÉ RETOUR	1
19	07005-10117	FLEXIBLE HYDRAULIQUE, CÔTÉ TRACTION	1
20	73430-02024	INSERT POUR PINCE	1
21	07003-00463	JOINT TORIQUE	2
22	07003-00452	JOINT RACLEUR	1
23	07003-00461	JOINT TORIQUE	1
24	73434-02009	BAGUE DE ROULEMENT AVANT	1
25	07003-00451	JOINT DE TIGE	1
26	07003-00453	JOINT PISTON	1
27			
28			
29			
30	07003-00464	JOINT TORIQUE	1
31			
32			
33			
34	07003-00494	BAGUE D'APPUI EN SPIRALE	1
35	07007-02032	SERRE-CÂBLE	1
36	07003-00496	BAGUE D'APPUI EN SPIRALE	1
37	07005-10121	MANCHON DE PROTECTION	0,6 m
38	07007-02104	PRESSE-ÉTOUPE	1
39	73430-02008	INSERT GÂCHETTE	1
40	73434-02012	ADAPTATEUR COLLERETTE	1
41	73434-02013	TIGE DE VERROUILLAGE	1
42	07001-00481	VIS DE BLOCAGE À SIX PANS CREUX M5 X 5	1
-	07900-01022	AV30 NOTICE D'UTILISATION	1

7. DONNÉES DE SÉCURITÉ

7.1 DONNÉES DE SÉCURITÉ - HUILE HYDRAULIQUE ENERPAC® HF

PREMIER SECOURS

PEAU :

Peu susceptible de provoquer des dommages à la peau en cas de contacts brefs et occasionnels mais une exposition prolongée peut engendrer des dermatites. Lavez la peau soigneusement à l'eau et au savon dès que cela est raisonnablement possible. Retirez les vêtements contaminés et lavez abondamment la peau.

VOIES ORALES :

Peu susceptible de provoquer des dommages en cas d'ingestion accidentelle de petites doses, bien que de plus grandes quantités puissent engendrer des nausées et des diarrhées. En cas de contamination de la bouche, rincez soigneusement à l'eau. L'ingestion de grandes quantités de produit est peu probable, sauf en cas d'acte délibéré. Si cela devait se produire, ne faites pas vomir, consultez un médecin. Conduisez la personne dans le centre médical le plus proche.

YEUX :

Peu susceptible de provoquer autre chose que des picotements ou des rougeurs en cas de contact accidentel avec les yeux. Rincez soigneusement les yeux avec suffisamment d'eau, en gardant les paupières ouvertes. Demandez un avis médical si la douleur ou les rougeurs s'aggravent ou persistent.

CONSEIL MÉDICAL :

Le traitement doit être symptomatique de façon générale et orienté vers le soulagement de tous les effets.

Remarque : Applications à haute pression :

Les injections cutanées, résultant d'un contact avec le produit à haute pression, constituent une urgence médicale majeure. Les blessures peuvent ne pas paraître graves au début mais en quelques heures les tissus enflent, se décolorent et deviennent extrêmement douloureux avec nécrose sous-cutanée étendue.

Un examen chirurgical doit être entrepris sans délai. Le débridement complet et étendu de la plaie et des tissus sous-jacents est nécessaire pour minimiser la perte tissulaire et prévenir ou limiter les dommages permanents. Notez qu'une pression élevée peut forcer le produit sur des distances considérables le long des plans tissulaires.

MISE AU REBUT

Éliminez tous les déversements à l'aide d'un matériau absorbant inerte. Aérez la zone contaminée. Placez les objets contaminés dans un contenant jetable et jetez-le conformément à la réglementation locale.

INCENDIE

POINT ÉCLAIR : 200°C.

Extinction sèche chimique ou mousse ou au dioxyde de carbone. Ne pénétrez pas dans l'espace confiné sans appareil respiratoire autonome.

MANIPULATION

Utilisez une crème de protection ou des gants résistants à l'huile.

STOCKAGE

Couvert et conformément à la réglementation locale concernant les matières inflammables.

7.2 DONNÉES DE SÉCURITÉ - GRAISSE MOLYLITHIUM EP 3753

La graisse peut être commandée seule, le numéro d'article est indiqué à la page Kit de révision 37.

PREMIER SECOURS

PEAU :

La graisse étant parfaitement étanche à l'eau il est préférable de la retirer avec un nettoyant émulsifiant pour la peau homologué.

INGESTION :

Veillez à ce que l'individu boive 30ml de lait de magnésie, de préférence dans une tasse de lait.

YEUX :

Irritant mais pas dangereux. Rincez à l'eau et consultez un médecin.

INCENDIE

POINT ÉCLAIR : Au-dessus de 220°C.

Classé comme non-inflammable.

Moyens d'extinction adaptés : Pulvérisation CO₂, Halon ou eau par une personne qualifiée.

ENVIRONNEMENT

Raclez pour incinération ou dépose dans un centre agréé.

MANIPULATION

Utilisez une crème de protection ou des gants résistants à l'huile

STOCKAGE

Loin de la chaleur ou d'agents oxydants.

7.3 DONNÉES DE SÉCURITÉ - GRAISSE MOLYKOTE® 111

La graisse peut être commandée seule, le numéro d'article est indiqué à la page Kit de révision 37.

PREMIER SECOURS

PEAU :

Aucun premier soin nécessaire.

INGESTION :

Aucun premier soin nécessaire.

YEUX :

Aucun premier soin nécessaire.

INHALATION :

Aucun premier soin nécessaire.

INCENDIE

POINT ÉCLAIR : Au-dessus de 101,1°C (coupelle fermée)

Propriétés explosives : Non

Moyens d'extinction adaptés : Mousse de dioxyde de carbone, Poudre sèche ou faible aspersion d'eau. De l'eau pulvérisée peut être utilisée pour garder au frais les contenants exposés au feu.

ENVIRONNEMENT

Aucun effet indésirable prévisible.

MANIPULATION

Un système d'aération général est recommandé. Évitez tout contact avec les yeux.

STOCKAGE

Ne stockez pas avec des agents oxydants. Gardez les contenants fermés et stockés loin d'eau ou de zones humides.

8. DIAGNOSTIC DE PANNES

SYMPTÔME	CAUSE POSSIBLE	REMÈDE	RÉF. PAGE
L'outil de pose ne fonctionne pas	La pompe ne fonctionne pas	Contrôlez l'alimentation électrique de la pompe et consultez la notice d'utilisation de la pompe.	
	Raccords rapides 10 et 11 défectueux	Remplacez les raccords rapides	40
	Le câble de commande de la gâchette 14 n'est pas raccordé correctement	Contrôlez le bon raccordement du câble de commande au niveau de la pompe et de l'outil de pose	35
	L'interrupteur à gâchette 7 ou le câble de commande 14 sont endommagés	Remplacez l'interrupteur à gâchette et/ou le câble de commande	40
L'interrupteur à gâchette 7 ne fonctionne pas	Pompe en mode local	Consultez la notice d'utilisation de la pompe	
	Interrupteur à gâchette 7 , câble de commande 14 ou connecteur endommagé	Remplacez l'interrupteur à gâchette et/ou le câble de commande	40
La pompe fonctionne mais pas l'outil de pose	Flexibles hydrauliques non raccordés	Contrôlez le bon raccordement au niveau de la pompe et de l'outil de pose	35
	Niveau d'huile bas	Veillez à ce que l'outil de pose ait suffisamment d'huile et qu'il a été correctement amorcé Consultez la notice d'utilisation de la pompe	35
	Fuite d'huile externe sur l'outil de pose	Inspectez l'outil, remplacez les composants usés ou endommagés	38 - 41
	Fuite d'huile externe sur les flexibles	Inspectez les flexibles, veillez à ce que les raccords soient bien étanches et/ou remplacez les raccords endommagés	40
	Fuite d'huile interne/externe sur la pompe	Consultez la notice d'utilisation de la pompe	
	L'outil de pose fonctionne de façon erratique	Pression hydraulique basse ou instable	Consultez la notice d'utilisation de la pompe
Joints hydrauliques usés ou endommagés dans l'outil de pose		Inspectez l'outil, remplacez les joints usés ou endommagés	38 - 41
Surfaces des joints hydrauliques usés ou endommagés dans l'outil de pose		Inspectez l'outil, remplacez les composants usés ou endommagés	38 - 41
Fuite d'huile interne/externe sur la pompe		Consultez la notice d'utilisation de la pompe	
La pompe monte complètement en pression mais l'extrémité de la tige ne se brise pas	La force de rupture est supérieure à la capacité de l'outil à pleine pression	Consultez les spécifications de l'outil de pose	32
	Circulation vers l'outil de pose bloquée	Contrôlez que les raccords rapides 10 et 11 sont parfaitement insérés	35
	Valeur de dépressurisation de la pompe trop basse	Réglez les valeurs pour la soupape de détente, consultez la notice d'utilisation de la pompe	
	Rainures de traction sur la queue de la tige de la fixation abîmées	Voir les symptômes à la page 48	36
	Fonctionnement incorrect de l'outil		36

SYMPTÔME	CAUSE POSSIBLE	REMÈDE	RÉF. PAGE
Le piston de l'outil de pose 1 ne revient pas en place	Circulation sur le circuit de retour restreinte ou bloquée	Contrôlez que les raccords rapides 10 et 11 sont parfaitement insérés et/ou qu'ils ne sont pas défectueux	35
	Flexibles hydrauliques non raccordés	Contrôlez le bon raccordement au niveau de la pompe et de l'outil de pose	35
	Dysfonctionnement de la vanne de la pompe	Consultez la notice d'utilisation de la pompe	
	Mauvais réglage de la minuterie de retour de la pompe, trop basse	Réglez la valeur de la minuterie de retour, consultez la notice d'utilisation de la pompe	
L'outil de pose n'éjecte pas la collerette de l'enclume	Valeur pour la soupape de détente pour le retour de la pompe trop basse	Réglez correctement la valeur pour la soupape de détente, consultez la notice d'utilisation de la pompe	
	Pression hydraulique basse ou instable	Consultez la notice d'utilisation de la pompe	
	Joints hydrauliques usés ou endommagés dans l'outil de pose	Inspectez l'outil, remplacez les joints usés ou endommagés	38 - 41
	Surfaces des joints hydrauliques usés ou endommagés dans l'outil de pose	Inspectez l'outil, remplacez les composants usés ou endommagés	38 - 41
	Fuite d'huile interne/externe sur la pompe	Consultez la notice d'utilisation de la pompe	
Rainures de traction sur l'extrémité de la tige de la fixation abîmées pendant la pose	L'opérateur ne pousse pas complètement le nez sur la tige de la fixation avant d'actionner l'outil	Formez l'opérateur sur la bonne méthode à adopter	36
	Longueur fixation / grip incorrectes	Utilisez la bonne fixation	
	Segments de la pince usés ou endommagés	Vérifiez et remplacez la pince, consultez la fiche technique de l'embout de rivetage	36
	Débris dans les segments de mors et/ou les rainures d'extrémité de la tige	Nettoyez les segments de mors - consultez la fiche technique de l'embout de rivetage	
La collerette Avdelok® ou Avbolt® n'est pas complètement insérée Impossible de libérer l'extrémité de la tige de l'embout de rivetage	Jeu excessif avec la plaque	Corrigez le jeu entre les plaques	36
	Fonctionnement incorrect de l'outil		36
	Alésage enclume usé	Vérifiez et remplacez l'enclume - consultez la fiche technique de l'embout de rivetage	
	Assemblage incorrect de l'embout de rivetage	Consultez la fiche technique de l'embout de rivetage	
L'outil de pose et l'huile hydraulique chauffent	Circuit hydraulique entravé	Contrôlez les raccords rapides 10 et 11 et remplacez-les si nécessaire	40
	Température ambiante trop élevée		
Fuite d'huile sur les raccords hydrauliques rapides 10 et 11	Joint torique usé dans le corps du raccord rapide mâle 10	Remplacez le joint torique et la bague d'appui dans le raccord rapide 10	40

Tous les chiffres en **gras** font référence au plan d'ensemble et la nomenclature des pages 42, 43 et 44.

* Kit de révision page 37.

9. DÉCLARATION DE CONFORMITÉ CE

Nous, **Stanley Engineered Fastening, Stanley House, Works Road, Letchworth Garden City, Hertfordshire, SG6 1JY ROYAUME-UNI**, déclarons sous notre seule responsabilité que le produit :

Désignation : AV30 OUTIL ÉLECTROHYDRAULIQUE

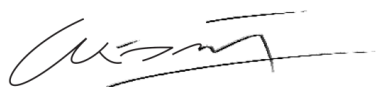
Modèle : OUTIL POUR RIVETS DE STRUCTURE AV30 – 73434-02000

auquel se réfère cette déclaration est conforme aux normes harmonisées suivantes :

ISO 12100:2010	EN ISO 3744:2010
EN ISO 11202:2010	EN ISO 11148-1:2011
EN ISO 4413:2010	EN ISO 20643:2008+A1:2012
EN ISO 4414:2010	ES100118-rev 17:2017
EN ISO 28927-5:2009+A1:2015	

La documentation technique a été compilée conformément à l'annexe 1, section 1.7.4.1, et conformément à la Directive suivante : **Directive Machine 2006/42/CE** (Textes réglementaires 2008 n° 1597 - Réglementations sur la fourniture de machines (Sécurité)).

Le soussigné fait cette déclaration au nom de STANLEY Engineered Fastening



A. K. Seewraj

Directeur Ingénierie, Royaume-Uni

Avdel UK Limited, Stanley House, Works Road, Letchworth Garden City, Hertfordshire, SG6 1JY ROYAUME UNI

Lieu de diffusion : Letchworth Garden City, UK

Date de diffusion : 12-12-2011

Le soussigné est responsable de la compilation du dossier technique pour les produits vendus au sein de l'Union européenne et il fait cette déclaration au nom de Stanley Engineered Fastening.

Matthias Appel

Team Leader Documentation technique

Stanley Engineered Fastening, Tucker GmbH, Max-Eyth-Str.1, 35394 Gießen, Allemagne



Cette machine est conforme à la
Directive Machines 2006/42/CE

10. DÉCLARATION DE CONFORMITÉ ROYAUME-UNI

Nous, **Stanley Engineered Fastening, Stanley House, Works Road, Letchworth Garden City, Hertfordshire, SG6 1JY ROYAUME-UNI**, déclarons sous notre seule responsabilité que le produit :

Désignation : AV30 OUTIL ÉLECTROHYDRAULIQUE

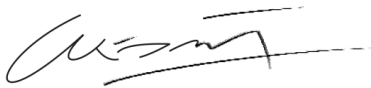
Modèle : OUTIL POUR RIVETS DE STRUCTURE AV30 – 73434-02000

auquel se réfère cette déclaration est conforme aux normes harmonisées suivantes :

ISO 12100:2010	EN ISO 3744:2010
EN ISO 11202:2010	EN ISO 11148-1:2011
EN ISO 4413:2010	EN ISO 20643:2008+A1:2012
EN ISO 4414:2010	ES100118-rev 17:2017
EN ISO 28927-5:2009+A1:2015	

La documentation technique a été compilée conformément à la réglementation sur la fourniture de machines (Sécurité) 2008, S.I. 2008/1597 (amendée).

Le soussigné fait cette déclaration au nom de STANLEY Engineered Fastening



A. K. Seewraj

Directeur Ingénierie, Royaume-Uni

Avdel UK Limited, Stanley House, Works Road, Letchworth Garden City, Hertfordshire,
SG6 1JY ROYAUME UNI

Lieu de diffusion : Letchworth Garden City, UK

Date de diffusion : 12-12-2011



Cette machine est conforme à la
Réglementation sur la fourniture de machines (sécurité) 2008,
S.I. 2008/1597 (amendée)

11. PROTÉGEZ VOTRE INVESTISSEMENT !

GARANTIE RIVETEUSE POUR RIVETS AVEUGLES Stanley® Engineered Fastening

STANLEY® Engineered Fastening garantit que tous les outils ont été fabriqués avec soin et qu'ils seront exempts de défauts de pièces ou de main d'œuvre dans des conditions normales d'utilisation et d'entretien pendant une période d'un (1) an.

Cette garantie s'applique à l'acheteur de première main et pour un usage d'origine.

Exclusions :

Usure normale.

La maintenance périodique, la réparation et le remplacement des pièces dus à une usure normale ne sont pas couverts par de cette garantie.

Utilisation abusive et incorrecte.

Les défauts et dommages résultant d'une utilisation ou d'un stockage incorrect, d'une utilisation inappropriée ou abusive, d'un accident ou d'une négligence, comme les dommages physiques par exemple, ne sont pas couverts par cette garantie.

Réparation ou modification non autorisées.

Les défauts ou dommages résultant d'un/d'une quelconque entretien, test, réglage, installation, maintenance, altération ou modification par tout autre entité ou personne que STANLEY® Engineered Fastening, ou l'un de ses centres d'assistance agréés, sont exclus de la garantie.

Toutes les autres garanties, explicites ou implicites, dont les garanties de commercialisation ou d'adaptation à un usage particulier sont exclues par la présente.

Si cet outil devait ne pas répondre à la garantie, retournez-le dans les meilleurs délais au centre d'assistance agréé par notre usine, le plus proche. Pour obtenir la liste des centres de réparation agréés STANLEY® Engineered Fastening aux USA et au Canada, appelez notre numéro gratuit (877)364 2781.

En dehors des USA et du Canada, consultez notre site Internet **www.StanleyEngineeredFastening.com** pour trouver votre centre STANLEY Engineered Fastening le plus proche.

STANLEY Engineered Fastening procédera alors au remplacement, gratuit, de chacune des pièces jugées défectueuses par nos soins dont la cause serait un défaut de pièce ou de fabrication, avant de retourner l'outil en prépayé. Ceci représente notre unique obligation dans le cadre de cette garantie.

En aucun cas STANLEY Engineered Fastening ne saura être tenu responsable pour quelque dommage consécutif ou spécial découlant de l'achat ou de l'utilisation de cet outil.

Enregistrez votre riveteuse pour rivets aveugles en ligne.

Pour enregistrer votre garantie en ligne, consultez notre page sur <https://www.stanleyengineeredfastening.com/support/warranty-registration-form>

Merci d'avoir choisi un outil de la marque STANLEY® Engineered Fastening, STANLEY Assembly Technologies.

©2019 STANLEY Black & Decker. Alle Rechte vorbehalten.

Die bereitgestellten Informationen dürfen in keiner Weise durch irgendwelche Mittel (elektronisch oder mechanisch) vervielfältigt und/oder veröffentlicht werden, wenn keine vorherige ausdrückliche und schriftliche Genehmigung von STANLEY Engineered Fastening vorliegt. Die bereitgestellten Informationen basieren auf den Daten, die zum Zeitpunkt der Einführung dieses Produkts bekannt sind. STANLEY Engineered Fastening verfolgt eine Politik der ständigen Produktverbesserung und somit können die Produkte Änderungen unterliegen. Die bereitgestellten Informationen gelten für das Produkt wie von STANLEY Engineered Fastening geliefert. Daher haftet STANLEY Engineered Fastening nicht für Schäden, die aus Abweichungen von den ursprünglichen Spezifikationen des Produkts entstehen.

Die verfügbaren Informationen wurden mit größter Sorgfalt zusammengestellt. Allerdings übernimmt STANLEY Engineered Fastening keine Haftung für eventuelle Fehler in den Informationen noch für die Folgen davon. STANLEY Engineered Fastening haftet nicht für Schäden, die aus Tätigkeiten entstehen, die von Dritten ausgeführt werden. Die Arbeitsnamen, Handelsnamen, eingetragenen Marken usw., die von STANLEY Engineered Fastening verwendet werden, sollten gemäß den Rechtsvorschriften in Bezug auf den Schutz von Marken nicht als frei angesehen werden.

INHALT

1. SICHERHEITSD DEFINITIONEN	54
1.1 ALLGEMEINE SICHERHEITSBESTIMMUNGEN	54
1.2 GEFAHREN DURCH UMHERFLIEGENDE TEILE	55
1.3 BETRIEBSGEFAHREN	55
1.4 GEFAHREN DURCH WIEDERKEHRENDE BEWEGUNGEN	55
1.5 GEFAHREN DURCH ZUBEHÖR	55
1.6 GEFAHREN AM ARBEITSPLATZ	56
1.7 GEFAHREN DURCH LÄRM	56
1.8 GEFAHREN DURCH VIBRATIONEN	56
1.9 ZUSÄTZLICHE SICHERHEITSHINWEISE FÜR HYDRAULISCHE ELEKTROWERKZEUGE	56
2. TECHNISCHE DATEN	58
2.1 VERWENDUNGSZWECK	58
2.2 TECHNISCHE DATEN DES WERKZEUGS	58
2.3 WERKZEUGDIMENSIONEN	59
3. INBETRIEBNAHME	60
3.1 FUNKTIONSPRINZIP	60
3.2 VORBEREITUNG DER ARBEIT	61
4. BEDIENANWEISUNGEN	62
4.1 SETZEN VON AVBOLT®-VERBINDUNGSELEMENTEN	62
4.2 SETZEN VON AVDELOK® XT-VERBINDUNGSELEMENTEN	62
5. WARTUNG DES WERKZEUGS	63
5.1 TÄGLICHE WARTUNG	63
5.2 WÖCHENTLICHE WARTUNG	63
5.3 JÄHRLICHE WARTUNG / ALLE 150.000 EINSÄTZE	63
5.4 WARTUNGSKIT	63
5.5 WARTUNGSWERKZEUGE	63
5.6 HYDRAULIKÖL	63
5.7 DEMONTAGEANWEISUNGEN	64
5.8 UMWELTSCHUTZ	67
6. ALLGEMEINE MONTAGE UND TEILELISTE	68
6.1 ALLGEMEINE MONTAGE	68
6.2 TEILELISTE	70
7. SICHERHEITSDATEN	71
7.1 ENERPAC® HF HYDRAULIKÖL - SICHERHEITSDATEN	71
7.2 SICHERHEITSDATEN ZU MOLYLITHIUMFETT EP 3753	71
7.3 SICHERHEITSDATEN ZU MOLYKOTE® 111-FETT	72
8. FEHLERSUCHE	73
9. EC-KONFORMITÄTSERKLÄRUNG	75
10. GB-KONFORMITÄTSERKLÄRUNG	76
11. SCHÜTZEN SIE IHRE INVESTITION!	77



Diese Betriebsanleitung ist von jeder Person zu lesen, die mit der Installation oder Inbetriebnahme dieses Werkzeugs befasst ist, wobei besonders die folgenden Warnungen und Anweisungen zu beachten sind.



Tragen Sie während des Betriebs des Werkzeugs stets einen stoßfesten Augenschutz. Die erforderliche Schutzart sollte für jeden Anwendungsfall bewertet werden.



Bei der Verwendung des Werkzeugs können die Hände des Bedieners Gefahren ausgesetzt werden, darunter Quetschungen, Stöße, Schnittverletzungen, Hautabschürfungen und Verbrennungen. Tragen Sie zum Schutz der Hände geeignete Handschuhe.



Verwenden Sie einen Gehörschutz, der den Anweisungen des Arbeitgebers und den Arbeitsschutzbestimmungen entspricht.

1. SICHERHEITSD DEFINITIONEN

Im Folgenden wird die Relevanz der einzelnen Warnhinweise erklärt. Bitte lesen Sie die Betriebsanleitung und achten Sie auf diese Symbole.



GEFAHR: Weist auf eine unmittelbar drohende gefährliche Situation hin, die, sofern nicht vermieden, zu tödlichen oder schweren Verletzungen führt.



WARNUNG: Weist auf eine möglicherweise gefährliche Situation hin, die, sofern nicht vermieden, zu tödlichen oder schweren Verletzungen führen könnte.



VORSICHT: Weist auf eine möglicherweise gefährliche Situation hin, die, sofern nicht vermieden, zu leichten oder mittelschweren Verletzungen führen kann.



VORSICHT: Wird der Begriff ohne Warnsymbol gebraucht, weist er auf eine potenziell gefährliche Situation hin, die bei Nichtbeachtung zu Sachschäden führen kann.

Unsachgemäßer Betrieb oder falsche Wartung dieses Produkts können zu schweren Verletzungen und Sachschäden führen.

Machen Sie sich mit den Warnungen und Bedienanweisungen vertraut, bevor Sie dieses Gerät verwenden. Beim Gebrauch von Elektrowerkzeugen sind zum Schutz gegen Verletzungsgefahren immer die grundlegenden Sicherheitsvorschriften zu beachten.

BEWAHREN SIE ALLE WARNHINWEISE UND ANWEISUNGEN ZUM SPÄTEREN NACHSCHLAGEN AUF.

1.1 ALLGEMEINE SICHERHEITSBESTIMMUNGEN

- Da verschiedene Gefahren bestehen, lesen Sie die Sicherheitshinweise genau durch, bevor Sie das Gerät installieren, bedienen, reparieren, warten, Zubehörteile austauschen oder in der Nähe arbeiten. Andernfalls kann es zu schweren Verletzungen kommen.
- Nur qualifiziertes und geschultes Personal darf das Werkzeug installieren, einstellen oder benutzen.
- NICHT auf andere Weise verwenden als im Verwendungszweck unter „Setzen von STANLEY Engineered Fastening Blindnieten“ angegeben.
- Verwenden Sie nur Teile, Verbindungselemente und Zubehörteile, die vom Hersteller empfohlen werden.
- Nehmen Sie KEINE Veränderungen am Werkzeug vor. Veränderungen können die Wirksamkeit von Sicherheitsvorrichtungen beeinträchtigen und die Risiken für den Bediener erhöhen. Jede Änderung am Werkzeug durch den Kunden unterliegt einzig der vollen Verantwortung des Kunden und macht geltende Gewährleistungen ungültig.
- Werfen Sie Sicherheitshinweise nicht weg, sondern stellen Sie sie dem Bediener zur Verfügung.
- Verwenden Sie das Werkzeug nicht, wenn es beschädigt ist.
- Prüfen Sie vor der Verwendung, ob bewegliche Teile verzogen oder ausgeschlagen, ob Teile gebrochen oder in einem Zustand sind, der den Betrieb des Werkzeugs beeinträchtigt. Bei Beschädigungen lassen Sie das Werkzeug warten, bevor Sie es verwenden. Entfernen Sie vor dem Gebrauch alle Einstellwerkzeuge oder Schraubenschlüssel.
- Die Werkzeuge sind regelmäßig zu überprüfen, um sicherzustellen, dass die von diesem Teil der ISO 11148 geforderten Nennwerte und Kennzeichnungen lesbar auf dem Werkzeug angebracht sind. Der Arbeitgeber/Verwender muss sich mit dem Hersteller in Verbindung setzen, um gegebenenfalls Ersatzkennzeichnungen zu erhalten.
- Das Werkzeug muss jederzeit in einem sicheren Betriebszustand gehalten und in regelmäßigen Abständen von geschultem Personal auf Beschädigungen und Funktion überprüft werden. Nur geschultes Personal darf das Gerät demontieren. Vor der Demontage dieses Werkzeugs ist die Wartungsanleitung zu lesen.

1.2 GEFAHREN DURCH UMHERFLIEGENDE TEILE

- Trennen Sie das Werkzeug von der Hydraulikpumpeneinheit ab, bevor Sie Wartungsarbeiten durchführen oder versuchen, die Mundstückbaugruppe oder Zubehör einzustellen, anzubringen oder abzunehmen.
- Beachten Sie, dass ein Ausfall des Werkstücks oder des Zubehörs oder auch des eingesetzten Werkzeugs selbst Hochgeschwindigkeitsprojekteile erzeugen kann.
- Tragen Sie während des Betriebs des Werkzeugs stets einen stoßfesten Augenschutz. Die erforderliche Schutzart sollte für jeden Anwendungsfall bewertet werden.
- Auch Risiken für andere Personen sollten stets bewertet werden.
- Vergewissern Sie sich, dass das Werkstück sicher befestigt ist.
- Überprüfen Sie, ob die Mittel zum Schutz vor dem Auswerfen von Verbindungselementen und/oder des Dorns angebracht und funktionsfähig sind.
- Warnen Sie vor dem möglichen heftigen Auswerfen von Dornen von der Vorderseite des Werkzeugs.
- Bedienen Sie das Werkzeug NICHT, wenn es auf Personen gerichtet ist.

1.3 BETRIEBSGEFAHREN

- Bei der Verwendung des Werkzeugs können die Hände des Bedieners Gefahren ausgesetzt werden, darunter Quetschungen, Stöße, Schnittverletzungen, Hautabschürfungen und Verbrennungen. Tragen Sie zum Schutz der Hände geeignete Handschuhe.
- Bediener und Wartungspersonal müssen physisch in der Lage sein, mit dem Volumen, dem Gewicht und der Leistung des Werkzeugs umzugehen.
- Halten Sie das Werkzeug richtig fest und seien Sie stets bereit, normalen oder plötzlichen Bewegungen entgegenzuwirken, ggf. mit beiden Händen.
- Halten Sie die Werkzeuggriffe trocken, sauber und frei von Öl und Fett.
- Behalten Sie während der Arbeit mit dem Werkzeug immer eine ausgeglichene Körperposition und einen sicheren Stand.
- Lassen Sie die Start-/Stoppvorrichtung bei einer Unterbrechung der Hydraulikversorgung los.
- Verwenden Sie nur die vom Hersteller empfohlenen Schmierstoffe.
- Kontakt mit Hydraulikflüssigkeit sollte vermieden werden. Um die Möglichkeit von Hautausschlägen zu minimieren, sollten die betroffenen Stellen nach einem Kontakt sorgfältig abgewaschen werden.
- Materialsicherheitsdatenblätter für alle Hydrauliköle und Schmierstoffe erhalten Sie auf Anfrage bei Ihrem Werkzeuglieferanten.
- Vermeiden Sie ungeeignete Körperhaltungen, da sie es wahrscheinlich nicht ermöglichen, einer normalen oder unerwarteten Bewegung des Werkzeugs entgegenzuwirken.
- Wenn das Werkzeug an einer Aufhängevorrichtung befestigt ist, achten Sie darauf, dass die Befestigung sicher ist.
- Beachten Sie die Quetsch- oder Einklemmgefahren, wenn keine Nietausrüstung montiert ist.
- Werkzeug NICHT bedienen, wenn die Mundstückhülse entfernt wurde.
- Vor der Arbeit müssen die Hände des Bedieners ausreichenden Abstand zum Werkstück haben.
- Wenn das Werkzeug an einen anderen Ort gebracht wird, halten Sie die Hände vom Auslöser fern, um eine unbeabsichtigte Aktivierung zu vermeiden.
- Missbrauchen Sie das Werkzeug NICHT, indem Sie es herunterfallen lassen oder als Hammer verwenden.
- Es ist darauf zu achten, dass verbrauchte Dorne keine Gefahr darstellen.

1.4 GEFAHREN DURCH WIEDERKEHRENDE BEWEGUNGEN

- Bei Verwendung des Werkzeugs können in den Händen, Armen, Schultern, im Nacken oder in anderen Körperteilen des Bedieners Beschwerden auftreten.
- Bei Verwendung des Werkzeugs sollte der Bediener eine bequeme Haltung einnehmen, gleichzeitig aber sicher stehen und unausgewogene Körperhaltungen vermeiden. Der Bediener sollte bei länger dauernden Aufgaben seine Körperhaltung regelmäßig verändern, um Beschwerden und Ermüdung zu vermeiden.
- Falls der Bediener Symptome wie anhaltende oder wiederkehrende Beschwerden, Schmerzen, Pochen, Kribbeln, Taubheit, Brennen oder Steifheit verspürt, sollten diese Warnzeichen nicht ignoriert werden. Der Bediener sollte seinen Arbeitgeber informieren und sich an einen qualifizierten Arzt wenden.

1.5 GEFAHREN DURCH ZUBEHÖR

- Trennen Sie das Werkzeug von der Hydraulik- und Stromversorgung, bevor Sie die Mundstückbaugruppe oder das Zubehör anbringen oder entfernen.

- Verwenden Sie nur Größen und Typen von Zubehör und Verbrauchsmaterialien, die vom Hersteller des Werkzeugs empfohlen werden; andere Typen oder Größen von Zubehör oder Verbrauchsmaterialien sind nicht zulässig.

1.6 GEFAHREN AM ARBEITSPLATZ

- Ausrutschen, Stolpern und Stürzen sind die Hauptursachen für Verletzungen am Arbeitsplatz. Achten Sie auf rutschige Oberflächen, die durch den Einsatz des Werkzeugs verursacht werden, sowie auf Stolperfallen durch die Luftleitung oder den Hydraulikschlauch.
- Gehen Sie in ungewohnter Umgebung besonders vorsichtig vor. Es kann verborgene Gefahren wie Stromleitungen oder andere Versorgungsleitungen geben.
- Das Werkzeug ist nicht für den Einsatz in explosionsgefährdeten Bereichen bestimmt und ist nicht gegen Kontakt mit Strom geschützt.
- Stellen Sie sicher, dass keine elektrischen Kabel, Gasleitungen usw. vorhanden sind, die eine Gefahr verursachen können, falls sie durch das Werkzeug beschädigt werden.
- Tragen Sie geeignete Kleidung. Tragen Sie keine weite Kleidung und keinen Schmuck. Halten Sie Ihre Haare, Kleidung und Handschuhe von beweglichen Teilen fern. Lose sitzende Kleidung, Schmuck oder lange Haare können sich in den beweglichen Teilen verfangen.
- Es ist darauf zu achten, dass verbrauchte Dorne keine Gefahr darstellen.

1.7 GEFAHREN DURCH LÄRM

- Belastung durch hohe Geräuschpegel kann zu dauerhaften Behinderungen, Hörverlust und anderen Problemen wie Tinnitus (Klingeln, Summen, Pfeifen oder Brummen in den Ohren) führen. Die Risikobewertung und die Einführung geeigneter Kontrollen für diese Gefahren sind daher von wesentlicher Bedeutung.
- Zu den geeigneten Maßnahmen zur Verringerung des Risikos gehören unter anderem Maßnahmen zum Dämpfen von Materialien, um zu verhindern, dass Werkstücke „klingeln“.
- Verwenden Sie einen Gehörschutz, der den Anweisungen des Arbeitgebers und den Arbeitsschutzbestimmungen entspricht.
- Bedienen und warten Sie das Gerät gemäß den Empfehlungen in der Betriebsanleitung, um einen unnötigen Anstieg des Geräuschpegels zu vermeiden.

1.8 GEFAHREN DURCH VIBRATIONEN

- Einwirkung von Vibrationen kann zu Behinderungen der Nerven und der Blutversorgung der Hände und Arme führen.
- Tragen Sie bei kalten Bedingungen warme Kleidung und halten Sie Ihre Hände warm und trocken.
- Wenn Sie Taubheitsgefühl, Kribbeln, Schmerzen oder Weißwerden der Haut in Ihren Fingern oder Händen feststellen, hören Sie auf, das Werkzeug zu verwenden, informieren Sie Ihren Arbeitgeber und wenden Sie sich an einen Arzt.
- Wenn möglich, stützen Sie das Gewicht des Werkzeugs in einem Ständer, einer Spann- oder Ausgleichsvorrichtung ab, da sich das Werkzeug dann einfacher bedienen lässt.

1.9 ZUSÄTZLICHE SICHERHEITSHINWEISE FÜR HYDRAULISCHE ELEKTROWERKZEUGE

- Der Druck der Hydraulikluftversorgung darf 550 bar (8000 PSI) nicht überschreiten.
- Unter Druck stehendes Öl kann zu schweren Verletzungen führen.
- Keine Hydraulikschläuche mit einer Auslegung von weniger als 700 bar (10.000 PSI) Betriebsdruck und einer Durchflussrate von unter 2,73 l/min (200 in 3/min) anbringen.
- Lassen Sie ein laufendes Werkzeug niemals unbeaufsichtigt. Trennen Sie den Hydraulikschlauch und das Elektrokabel von der Pumpeneinheit, wenn das Werkzeug nicht in Gebrauch ist bzw. bevor Sie Zubehör austauschen oder Reparaturen durchführen.
- Umherpeitschende Schläuche können zu schweren Verletzungen führen. Führen Sie immer eine Überprüfung auf beschädigte oder lose Schläuche und Armaturen durch.
- Überprüfen Sie vor Gebrauch die Hydraulikschläuche auf Beschädigungen. Alle hydraulischen Anschlüsse müssen sauber, vollständig eingerastet und dicht sein, bevor sie in Betrieb genommen werden. Lassen Sie keine schweren Gegenstände auf Schläuche fallen. Heftige Stöße können zu internen Beschädigungen und zu vorzeitigem Schlauchversagen führen.
- Bei Verwendung von Universal-Drehkupplungen (Klauenkupplungen) sind zum Schutz gegen möglichen Ausfall von Schlauch-Werkzeug- oder Schlauch-Schlauch-Verbindungen Sicherungstifte anzubringen und Sicherheitskabel zu verwenden.
- Heben Sie das Setzwerkzeug NICHT am Schlauch oder Stromkabel an. Verwenden Sie dazu immer den Griff des Setzwerkzeugs.

- Ziehen oder bewegen Sie die Hydraulikpumpeneinheit nicht mit Hilfe der Schläuche. Verwenden Sie immer den Griff an der Pumpeneinheit oder den Rollenkäfig.
- Halten Sie Schmutz und Fremdkörper aus dem Hydrauliksystem des Werkzeugs fern, da sonst Fehlfunktionen auftreten können.
- Öl und Befüllausrüstung müssen sauber sein.
- Es dürfen nur empfohlene Hydraulikflüssigkeiten verwendet werden.
- Elektrogeräte benötigen zu Kühlzwecken einen freien Luftstrom und sollten daher in einem gut belüfteten Raum aufgestellt werden, der frei von gefährlichen Dämpfen ist.
- Die Höchsttemperatur der Hydraulikflüssigkeit am Einlass beträgt 110°C.

STANLEY Engineered Fastening verfolgt eine Politik der ständigen Produktweiterentwicklung und Verbesserung und wir behalten uns das Recht vor, die technischen Daten eines Produkts ohne vorherige Ankündigung zu ändern.

2. TECHNISCHE DATEN

2.1 VERWENDUNGSZWECK

Das AV™ 30 Installationswerkzeug besteht im Wesentlichen aus einer Kolben-Zylinder-Baugruppe. Wenn das Gerät hydraulisch und elektrisch mit einer kompatiblen Hydraulikquelle gekoppelt und die entsprechende Mundstückbaugruppe angebracht wurde, werden damit in industriellen Umgebungen Befestigungsmittel wie 1/2" bis 5/8" Avbolt® und 1/2" bis 3/4" Avdelok® XT angebracht.

Das Setzwerkzeug und die Hydraulikpumpeneinheit dürfen nur gemäß den Bedienanweisungen für das Setzen von Stanley Engineered Fastening Strukturnieten verwendet werden.

Folgende Tabelle enthält die Liste der anwendbaren Verbindungselemente und der dazugehörigen Nietausrüstung. Hinweise zur Mundstückbaugruppe bieten die in der Tabelle aufgeführten Datenblätter.

NICHT VERWENDEN in nasser Umgebung oder in der Nähe von entflammaren Flüssigkeiten oder Gasen.

VERBINDUNGSELEMENT		MUNDSTÜCKBAUGRUPPE			MUNDSTÜCKBAUGRUPPE DATENBLATT
TYP	GRÖSSE	ARTIKELNUMMER	DIM. 'A'	DIM. 'B'	ARTIKELNUMMER
AVBOLT®	1/2"	73412-03600	113 mm	43 mm	07900-00905
	5/8"	73412-03400	113 mm	52 mm	07900-00905
AVDELOK® XT	1/2"	73412-03100	113 mm	43 mm	07900-00919
	5/8"	73412-03200	115 mm	48 mm	07900-00919
	3/4"	73412-03300	134 mm	56 mm	07900-00919

*Mundstückbaugruppe mit Backenentriegelung.

Zur Identifizierung der Maße der Mundstückbaugruppe „A“ und „B“ siehe Abbildung auf Seite 59.

Die Sicherheitsanweisungen müssen jederzeit eingehalten werden.

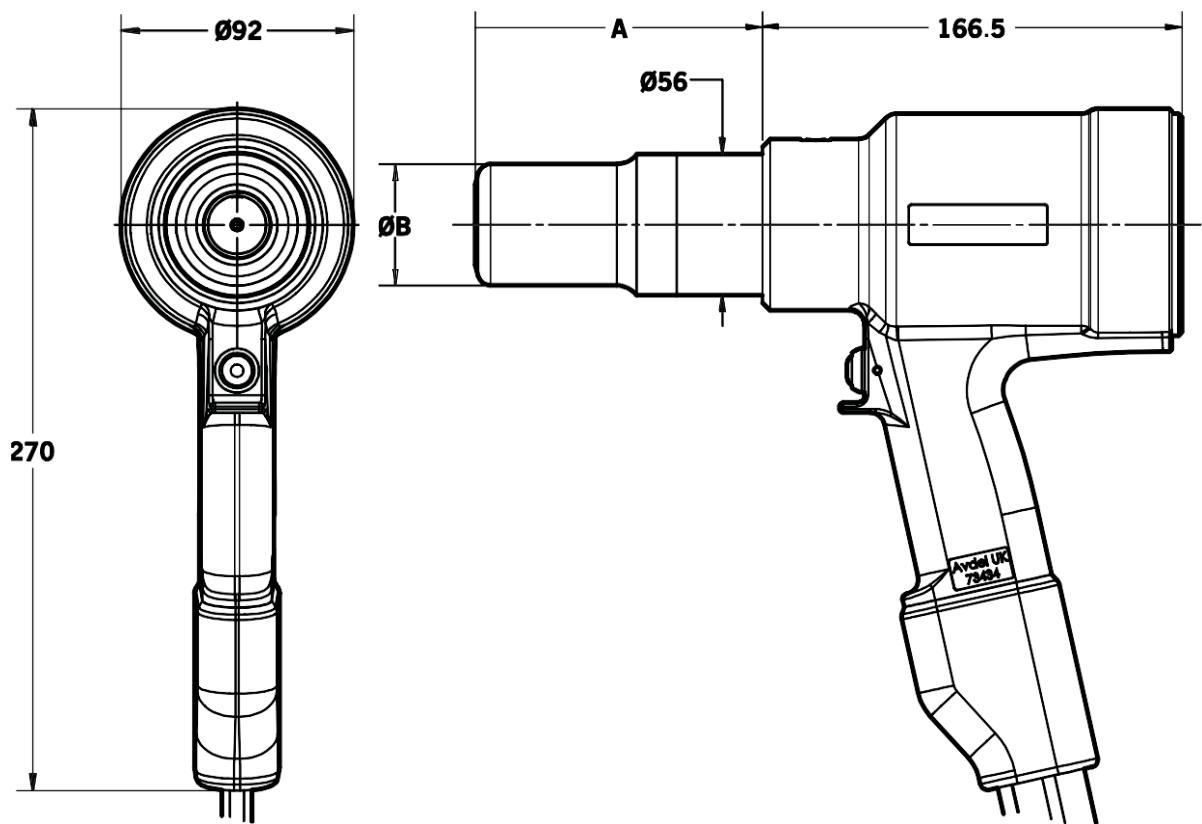
2.2 TECHNISCHE DATEN DES WERKZEUGS

	SPEZIFIKATION	METRISCH	BRITISCHE MASSE
Force:	Zug bei angegebenem Luftdruck	175,0 kN	39341,0 lbf
	Druck bei angegebenem Rückzugsdruck	80,0 kN	17985,0 lbf
Druck:	Zug	510 bar	7397 PSI
	Rückzug	200 bar	2901 PSI
Hub:	Kolbenhub	41,0 mm	1,61 in
Gewicht:	Ohne Nietausrüstung	6,9 kg	15,3 lb
Hydrauliköl:	Enerpac® Hydraulic Oil – HF-95X		
Produktreihe:	Avbolt®	12,7 bis 15,9 mm	1/2 bis 5/8 Zoll
	Avdelok® XT	12,7 bis 19,1 mm	1/2 bis 3/4 Zoll
Weitere Merkmale:	Schaftauswurf – Vorne oder Hinten	Vorderseite	
	Dichtungsanordnung	Lippen- und Abstreiferdichtungen	
	Hydraulische Lagerringe	Ja – Vorderseite	
	Schutzgriff / Schlauchaufhängung	Ja	
	Schlauchsenschutz	Ja	
	Schlauch-/Kabelhalteschellen	Ja	

Geräuschwerte bestimmt gemäß Geräuschmessverfahren ISO 15744 und ISO 3744.		AV30
A-bewerteter Schallleistungspegel dB(A), L_{WA}	Messunsicherheit Geräusche: $k_{WA} = 3,0 \text{ dB(A)}$	94,3 dB(A)
A-bewerteter Emissionsschalldruckpegel am Arbeitsplatz dB(A), L_{pA}	Messunsicherheit Geräusche: $k_{pA} = 3,0 \text{ dB(A)}$	83,3 dB(A)
C-bewerteter Spitzenemissionsschalldruckpegel dB(C), L_{pC} peak	Messunsicherheit Geräusche: $k_{pC} = 3,0 \text{ dB(C)}$	128,1 dB(C)

Schwingungswerte bestimmt gemäß Schwingungsmessverfahren ISO 20643 und ISO 5349.		AV30
Schwingungsabgabeneiveau, a_{hd} :	Unsicherheitsfaktor Vibrationen: $k = 0,48 \text{ m/s}^2$	0,952 m/s^2
Angewandte Schwingungsabgabewerte gemäß EN 12096		

2.3 WERKZEUGDIMENSIONEN



Alle Maße sind in Millimetern angegeben.

Maße der Mundstückbaugruppe „A“ und „B“ siehe Tabelle auf Seite 58.

Das Werkzeug ist mit zwei Hydraulikschläuchen und einem elektrischen Steuerkabel von 0,6 m Länge ausgestattet. Zusätzliche Hydraulikschläuche und Verlängerungskabel sind bei Bedarf separat erhältlich. Folgende Tabelle enthält die verfügbaren Längen für Schlauchbaugruppen und die dazugehörigen Teilenummern.

HYDRAULIKSCHLAUCHBAUGRUPPE	
ARTIKELNUMMER	SCHLAUHLÄNGE
07008-00448	5 Meter
07008-00449	10 Meter
07008-00450	15 Meter

3. INBETRIEBNAHME

3.1 FUNKTIONSPRINZIP

WICHTIG – LESEN SIE DIE SICHERHEITSHINWEISE AUF DEN SEITEN 54 – 57 UND DIE BETRIEBSANLEITUNG DER PUMPENEINHEIT VOR DER INBETRIEBNAHME SORGFÄLTIG DURCH.

Wenn beide Schläuche und das Steuerkabel mit der Avdel® / Enerpac®-Hydraulikpumpeneinheit verbunden sind, werden die Zug- und Rückzugzyklen des Werkzeugs durch Drücken und Loslassen des Auslösers gesteuert, der sich im Griff befindet.

Durch Drücken des Schalters wird das Magnetventil, das sich in der Hydraulikpumpeneinheit befindet, aktiviert und leitet den druckbeaufschlagten Ölstrom zur Zugseite des Kolbens im Setzwerkzeug. Dadurch kann auch das Öl auf der Rückzugseite des Setzwerkzeugs in den Behälter zurückfließen.

Während der Zugzyklen bewegt sich die Kolben-Spannzangen-Anordnung in Richtung der Rückseite des Werkzeugs, so dass das O-Ring-Polster den Mitnehmer und die Backen nach vorne drücken kann. Wenn ein Verbindungsstift in die Mundstückbaugruppe eingesetzt wurde, klemmt sich der Backensatz an das Stiftende und die Montage beginnt.

Bei Avbolt® und Avdelok® XT beginnt der Befestigungszyklus damit, dass die zu befestigende Verbindung festgeklemmt wird, dann bewegt sich der Amboss vorwärts und der Bund wird in die Sicherungsnuten des Stifts gedrückt. Am Ende dieses Zyklus stößt der Amboss nach oben gegen die Verbindung und durch die fortgesetzte Bewegung wird das Stiftende abgebrochen.

Der Auslöseschalter sollte sofort nach dem Abbrechen des Stifts losgelassen werden. Durch das Loslassen des Auslöseschalters wird der Magnet abgeschaltet und der Durchfluss von druckbeaufschlagtem Öl wird umgekehrt.

Wenn der Auslöser nicht losgelassen wird, bewegt sich der Kolben des Setzwerkzeugs weiter zur Rückseite des Werkzeugs, bis er das Ende seines Hubs erreicht. Der Druck auf der Zugseite steigt dann an, bis ein voreingestellter Wert für „Hochdruck“ an der Pumpe erreicht ist. Dann schaltet das Magnetventil automatisch ab und kehrt den Durchfluss des druckbeaufschlagten Öls zur Rückzugseite des Setzwerkzeugs um.

In beiden Fällen fließt nun druckbeaufschlagtes Öl in die Rückzugseite des Setzwerkzeugs, wobei das Öl auf der Zugseite in den Behälter zurückfließt.

Die Vorwärtsbewegung der Kolben-Spannzangen-Baugruppe wirft das installierte Verbindungselement aus dem Amboss heraus.

Beim Loslassen des Auslösers oder beim Erreichen des Wertes „Hochdruck“ schaltet das Magnetventil ab und aktiviert einen voreingestellten „Rückzug-Timer“. Hierdurch wird die Zeit gesteuert, in welcher der Pumpenmotor weiterläuft, bevor er in den Ruhezustand wechselt. Der Timer kann manuell zwischen 5 und 20 Sekunden eingestellt werden, um sicherzustellen, dass der Kolben des Setzwerkzeugs immer vollständig in die Vorwärtsstellung zurückkehrt (siehe Betriebsanleitung der Pumpe 07900-01030, Seite 10 und 13).

Wenn der Kolben in die volle Vorwärtsstellung zurückkehrt, steigt der Druck auf den voreingestellten Niederdruckwert - c200bar. Der Pumpenmotor läuft weiter, bis der Rückzug-Timer abgelaufen ist. Nach Ablauf dieser Zeit stoppt der Motor automatisch und das Ventil schaltet in die Leerlaufposition. Das Magnetventil schaltet dann automatisch um, um sowohl von der Zug- als auch von der Rückzugseite des Setzwerkzeugs druckbeaufschlagtes Öl in den Behälter abzulassen.

Dadurch bleibt das Montagewerkzeug in der vorderen Position. Zu diesem Zeitpunkt ist im Hydrauliksystem kein Druck vorhanden.

Die Hydraulikpumpeneinheit startet beim Drücken des Werkzeugauslöseschalters automatisch.

3.2 VORBEREITUNG DER ARBEIT

VORSICHT – DER RICHTIGE ZUG- UND RÜCKZUGDRUCK SIND WICHTIG, UM DIE EINWANDFREIE FUNKTION DES WERKZEUGS ZU GEWÄHRLEISTEN. BEI FALSCEM DRUCK KÖNNEN VERLETZUNGEN ODER SCHÄDEN AN DER AUSRÜSTUNG AUFTRETEN. DER VON DER HYDRAULIKPUMPENEINHEIT GELIEFERTE ZUG- UND RÜCKZUGDRUCK DARF DIE IN DER SPEZIFIKATION DES SETZWERKZEUGS ANGEgebenEN DRÜCKE NICHT ÜBERSCHREITEN.

WICHTIG – VOR INBETRIEBNAHME DES SETZWERKZEUGS UND DES HYDRAULIKSCHLAUCH-SETS:

STELLEN SIE SICHER, DASS DIE PUMPENDRUCKBEGRENZUNGSVENTILE GEMÄSS DEN PUMPENANWEISUNGEN UND DEN FÜR DAS SETZWERKZEUG UND DIE SCHLÄUCHE ANGEgebenEN MAXIMALDRÜCKEN EINGESTELLT SIND.

STELLEN SIE SICHER, DASS IM SCHLAUCHSATZ GEMÄSS DEM VERFAHREN IN DER PUMPENBETRIEBSANLEITUNG 07900-01030 HYDRAULIKFLÜSSIGKEIT ANGESAUGT WIRD.

- Vergewissern Sie sich, dass die Netzstromversorgung der Hydraulikpumpeneinheit ausgeschaltet ist.
- Schließen Sie die Schnellkupplungen des Hydraulikschlauches des Setzwerkzeugs direkt an die Pumpeneinheit an, bevor Sie das elektrische Steuerkabel anschließen. Schläuche und Steuerkabel müssen in dieser Reihenfolge angeschlossen und in umgekehrter Reihenfolge getrennt werden.
- Schalten Sie die Stromnetzversorgung der Hydraulikpumpeneinheit ein. Warten Sie 5 Sekunden, bis die Pumpeneinheit die Boot-Sequenz abgeschlossen hat, bevor Sie den Auslöseschalter drücken. Wenn alle Einstellungen vorgenommen wurden, zeigt der LCD-Bildschirm der Pumpeneinheit ‚AVDEL‘ an.
- Während der Boot-Sequenz erkennt die Pumpensteuerung jede Auslöserbetätigung als mögliche Fehlfunktion und verhindert, dass der Motor startet. Auf dem LCD-Bildschirm wird in diesem Fall ‚BUTTON FAULT‘ (Tastenfehler) angezeigt. Setzen Sie diese Anzeige durch Ausschalten der Stromversorgung für 10 Sekunden zurück.
- Vergewissern Sie sich, dass sich das Setzwerkzeug unterhalb der Pumpenbehälter befindet. Drücken Sie den Auslöseschalter des Setzwerkzeugs mehrmals bis fast auf den vollen Hub des Werkzeugs und lassen Sie ihn wieder los, um Hydraulikflüssigkeit zirkulieren zu lassen und Luft aus dem Werkzeug zu entfernen.
- Achten Sie auf das Verhalten des Werkzeugs. Überprüfen Sie, ob Flüssigkeit austritt, und stellen Sie sicher, dass sich der Kolben im Leerlaufmodus in der vollständigen Vorwärtsstellung befindet. Das Setzwerkzeug wird nun vorbereitet.
- Schalten Sie die Stromversorgung der Hydraulikpumpeneinheit aus und trennen Sie dann das Setzwerkzeug in umgekehrter Reihenfolge wie oben beschrieben von der Pumpeneinheit.
- Verbinden Sie nun das Setzwerkzeug mit dem Hydraulikschlauchset mit angesaugter Flüssigkeit und mit dem elektrischen Steuerkabel. Schließen Sie dann die Schnellkupplungen des Hydraulikschlauchsets und das elektrische Steuerkabel an die Pumpeneinheit an.
- Befestigen Sie die Mundstückbaugruppe am Werkzeug gemäß den Anweisungen im jeweiligen Datenblatt.
- Schalten Sie die Stromnetzversorgung der Hydraulikpumpeneinheit wie oben beschrieben ein.
- Drücken Sie den Auslöseschalter des Setzwerkzeugs mehrmals bis fast auf den vollen Hub des Werkzeugs und lassen Sie ihn wieder los, um Hydraulikflüssigkeit zirkulieren zu lassen.
- Das Setzwerkzeug ist jetzt betriebsbereit.

4. BEDIENANWEISUNGEN

4.1 SETZEN VON AVBOLT®-VERBINDUNGSELEMENTEN

- Überprüfen Sie die Arbeit und entfernen Sie übermäßige Lücken. (Lücken sind die Freiräume zwischen den Komponenten der Verbindung. Eine Lücke ist zu groß, wenn das Stiftende, das durch den Bund herausragt, nicht lang genug ist, um von der Mundstückbaugruppe erfasst zu werden.)
- Setzen Sie das Avbolt®-Verbindungselement in das Loch ein.
- Schieben Sie die Mundstückbaugruppe auf den Stift, bis der Amboss die Mundstückbaugruppe gegen den Bund stoppt. Die Werkzeug- und Mundstückbaugruppe muss im rechten Winkel (90°) zum Werkstück gehalten werden.
- Drücken Sie den Auslöseschalter des Werkzeugs, um den Installationszyklus zu beginnen.
- Wenn die Vorwärtsbewegung des Ambosses der Mundstückbaugruppe stoppt und das Stiftende abbricht, lassen Sie den Auslöser los. Das Werkzeug geht dann in den Rückzugmodus und drückt das montierte Verbindungselement weg. Am Ende der Rückzugbewegung lassen die Backen das hervorstehende Stiftende teilweise los, so dass es durch Kippen des Werkzeugmundstücks nach unten entfernt werden kann.
- Nachdem das installierte Verbindungselement ausgeworfen wurde, ist die Werkzeug- und Mundstückbaugruppe für die nächste Installation bereit.

4.2 SETZEN VON AVDELOK® XT-VERBINDUNGSELEMENTEN

- Überprüfen Sie die Arbeit und entfernen Sie übermäßige Lücken. (Lücken sind die Freiräume zwischen den Komponenten der Verbindung. Eine Lücke ist zu groß, wenn das Stiftende, das durch den Bund herausragt, nicht lang genug ist, um von der Mundstückbaugruppe erfasst zu werden.)
- Setzen Sie das Avdelok® XT-Verbindungselement in das Loch ein.
- Schieben Sie den Avdelok® XT-Bund über den Stift. (Das abgeschrägte Ende des Bundes muss zur Mundstückbaugruppe und zum Werkzeug zeigen.)
- Schieben Sie die Mundstückbaugruppe auf den Stift, bis der Amboss die Mundstückbaugruppe gegen den Bund stoppt. Die Werkzeug- und Mundstückbaugruppe muss im rechten Winkel (90°) zum Werkstück gehalten werden.
- Drücken Sie den Auslöseschalter des Werkzeugs, um den Installationszyklus zu beginnen.
- Wenn die Vorwärtsbewegung des Ambosses der Mundstückbaugruppe stoppt und das Stiftende abbricht, lassen Sie den Auslöser los. Das Werkzeug geht dann in den Rückzugmodus und drückt das montierte Verbindungselement weg. Am Ende der Rückzugbewegung lassen die Backen das hervorstehende Stiftende teilweise los, so dass es durch Kippen des Werkzeugmundstücks nach unten entfernt werden kann.
- Nachdem das installierte Verbindungselement ausgeworfen wurde, ist die Werkzeug- und Mundstückbaugruppe für die nächste Installation bereit.

VORSICHT - VERSUCHEN SIE NICHT, EIN STIFTENDE ABZUBRECHEN, WENN KEIN BUND VORHANDEN IST, DA SONST DER UNGESICHERTE TEIL DES AVDELOK®- ODER AVBOLT®-STIFTENDES MIT HOHER GESCHWINDIGKEIT UND KRAFT AUS DEM MUNDSTÜCK AUSTRITT.

5. WARTUNG DES WERKZEUGS

WICHTIG – LESEN SIE DIE SICHERHEITSHINWEISE AUF DEN SEITEN 54 - 57. DER BETREIBER IST DAFÜR VERANTWORTLICH, DASS DIESE ANWEISUNGEN ZUR WERKZEUGWARTUNG DEM JEWEILIGEN BEDIENER ZUR VERFÜGUNG GESTELLT WERDEN. DER BEDIENER DARF NUR DANN WARTUNGS- ODER REPARATURARBEITEN AM WERKZEUG VORNEHMEN, WENN ER ENTSPRECHEND GESCHULT WURDE. DAS WERKZEUG IST REGELMÄSSIG AUF SCHÄDEN UND FEHLFUNKTIONEN ZU UNTERSUCHEN.

5.1 TÄGLICHE WARTUNG

- Setzwerkzeug, Schläuche und Schnellkupplungen auf Ölleckagen prüfen.
- Verschlissene oder beschädigte Schläuche und Kupplungen sollten ausgetauscht werden.
- Überprüfen, dass der Hub des Werkzeugs die Spezifikationen erfüllt.
- Überprüfen, dass der Spindelabweiser montiert ist.
- Überprüfen, dass das Begrenzungsventil der Pumpe für den Zug/Vorschub ordnungsgemäß funktioniert.
- Überprüfen, ob der Amboss verschlissen ist, was durch Riefen auf dem gesetzten Bund angezeigt wird. Dies kann auch durch Bezugnahme auf die Daten im Katalog der gesetzten Verbindungselemente geprüft werden. Übermäßiger Verschleiß kann zum Bruch des Ambosses führen.

5.2 WÖCHENTLICHE WARTUNG

- Mundstückbaugruppe demontieren und insbesondere die Backen/Spannzangen reinigen, dazu das jeweilige Datenblatt der Mundstückbaugruppe beachten.
- Überprüfen, ob Ölleckagen am Setzgerät, an den Schläuchen und Schnellkupplungen vorhanden sind

VORSICHT – Verwenden Sie niemals Lösungsmittel oder andere scharfe Chemikalien für die Reinigung der nichtmetallischen Teile des Geräts. Diese Chemikalien können das in diesen Teilen verwendete Material aufweichen.

5.3 JÄHRLICHE WARTUNG / ALLE 150.000 EINSÄTZE

- Alle 150.000 Zyklen sollte das Werkzeug vollständig demontiert und neue Komponenten verwendet werden, wenn sie verschlissen oder beschädigt sind oder dies empfohlen wird. Alle O-Ringe, Stützringe und Dichtungen sollten vor der erneuten Montage erneuert und mit Molykote® 111-Fett geschmiert werden.

5.4 WARTUNGSKIT

Für eine Komplettwartung steht das folgende Wartungskit zur Verfügung:

WARTUNGSKIT: 73432-99990			
ARTIKELNUMMER	BESCHREIBUNG	ARTIKELNUMMER	BESCHREIBUNG
07005-10118	Schnellkupplung - Außengewinde	07900-00972	AV30 Vordere Stopfbuchsenführungsstange
07005-10120	Schnellkupplung - Innengewinde	07900-00963	AV30 Kolbenführungshülse
07900-00958	Endkappen-Werkzeugkörper	07992-00020	Fett – MolyLithium EP3753
07900-00969	AV30 Kolbendichtungshülse	07900-00755	Fett – Molykote® 111
07900-00970	AV30 Kolbendichtungsstößel	07900-00756	Loctite® 243 Gewindekleber
07900-00971	AV30 Kolbenkugel - Vorderseite		

5.5 WARTUNGSWERKZEUGE

Zusätzlich werden folgende Standardwerkzeuge benötigt:

- Inbusschlüssel: 2,0 / 3,0mm
- Flacher Gabelschlüssel: 12 / 14 / 18 / 24 / 45 mm A/F
- PTFE-Band: 10 mm
- Profi-Schraubstock mit Backenschutz – 150 mm

5.6 HYDRAULIKÖL

VORSICHT – Verwenden Sie nur Enerpac® HF-Hydrauliköl. Die Verwendung von anderem Öl kann Fehlfunktionen von Setzwerkzeug und Pumpe verursachen und führt zum Erlöschen der Garantie für das Setzwerkzeug.

Hydrauliköl ist auf Anfrage mit folgenden Artikelnummern erhältlich.

HYDRAULIKÖL			
ARTIKELNUMMER	07992-00081	07992-00082	07992-00083
Enerpac®-Teilenummer	HF-95X	HF-95Y	HF-95T
Volumen	1 Liter	5 Liter	20 Liter
Viskosität	32 mm ² /s	32 mm ² /s	32 mm ² /s

5.7 DEMONTAGEANWEISUNGEN

WICHTIG – VERGEWISSERN SIE SICH, DASS DIE NETZSTROMVERSORGUNG DER HYDRAULIKPUMPENEINHEIT AUSGESCHALTET IST, BEVOR SIE DIE MUNDSTÜCKBAUGRUPPE ENTFERNEN ODER DAS SETZWERKZEUG DEMONTIEREN.

Vor der Demontage:

- Lösen Sie die Schnellkupplungen **10** und **11** und das elektrische Steuerkabel **14** zwischen dem Setzwerkzeug und der Hydraulikschlauchbaugruppe.
- Entfernen Sie die Mundstückbaugruppe gemäß den Anweisungen im zugehörigen Datenblatt der Mundstückbaugruppe vom Setzwerkzeug.
- Potenziell gefährliche Stoffe, die sich während der Arbeiten an dem Gerät abgelagert haben, müssen vor der Wartung beseitigt werden.

Für eine vollständige Wartung des Werkzeugs empfehlen wir, die Demontage des Werkzeugs in der Reihenfolge durchzuführen, die auf den Seiten 64 bis 67 beschrieben wird. Nach der Demontage des Werkzeugs empfehlen wir, alle Dichtungen auszutauschen.

Luftkolbenmontage:

- Entfernen Sie mit einem kleinen Flachsraubendreher den Stift **41** vom Spannzangenadapter **40**.
- Schrauben Sie den Spannzangenadapter **40** vom Kolben **1** ab und entfernen Sie ihn.
- Klemmen Sie den Werkzeuggriff so in einen Schraubstock mit weichen Backen, dass das Werkzeug mit dem Mundstück nach unten zeigt.
- Verbinden Sie den Ersatz für die *Schnellkupplung - Außengewinde mit der Schnellkupplung - Innengewinde **11** am Hydraulikschlauch - Rückzug **18**. Dadurch wird der Druck von der Rückzugseite des Kolbens **1** gelöst und das Entfernen der Endkappe **17** erleichtert.
- Setzen Sie den Körper des *Endkappenmontagewerkzeugs in die Endkappe **17** ein.
- Lösen und entfernen Sie die Endkappe **17** mit einem 24-mm-A/F-Schlüssel vom Werkzeugkörper **2**.
- Entfernen Sie den O-Ring **21** mit einem kleinen Flachsraubendreher von der Endkappe **17** und entsorgen Sie ihn.
- Entfernen Sie mit einem kleinen Flachsraubendreher oder ähnlichem Werkzeug den O-Ring **30** und den Spiral-Stützring **36** aus der äußeren Nut der Endkappe **17** und entsorgen Sie sie. Beim Entfernen der Dichtungen ist darauf zu achten, dass die Oberfläche der Endkappe nicht mit dem Schraubendreher beschädigt wird.
- Entfernen Sie das Setzwerkzeug vom Schraubstock und entleeren Sie das Hydrauliköl von der Rückseite des Werkzeugs. Entfernen Sie den Ersatz für die *Schnellkupplung - Außengewinde von der Schnellkupplung - Innengewinde **11**.
- Verbinden Sie den Ersatz für die *Schnellkupplung - Innengewinde mit der Schnellkupplung - Außengewinde **10** am Hydraulikschlauch - Zug **19**. Dadurch wird der Druck von der Zugseite des Kolbens **1** gelöst und das Entfernen des Kolbens **1** erleichtert.
- Schrauben Sie die *Kolbenkugel - Vorderseite vorne auf den Kolben **1**.
- Legen Sie den Werkzeugkörper **2** mit dem Mundstück nach oben auf eine Werkbank. Schlagen Sie dann mit einem weichen Schlägel auf den Kolben **1** zur Rückseite des Werkzeugkörpers und aus dem hinteren Ende heraus, wobei darauf zu achten ist, dass die Bohrung im Werkzeugkörper nicht beschädigt wird.
- Beachten Sie, dass beim Entfernen des Kolbens **1** auf der Zugseite des Kolbens aus der Vorder- und Rückseite des Werkzeugkörpers **2** Öl austritt.
- Beim Entfernen des Kolbens **1** wird die vordere Dichtungsstopfbuchse **15** eventuell auf der Kolbenwelle festgehalten. Ist dies der Fall, schrauben Sie die *Kolbenkugel - Vorderseite ab und ziehen Sie die vordere Dichtungsstopfbuchse vom Kolben ab.

Alle **fett gedruckten** Zahlen beziehen sich auf die Allgemeine Montage und die Teileliste auf den Seiten 68, 69 und 70.

* Wartungskit auf Seite 63.

- Die Kolbendichtung **26** ist eine 2-teilige Dichtung, bestehend aus einem äußeren Dichtring und einem inneren O-Ring. Schneiden Sie mit einem kleinen Messer den äußeren Dichtring durch und entfernen Sie ihn aus der äußeren Nut des Kolbens **1**. Entfernen Sie dann mit einem kleinen Flachschaubendreher den inneren O-Ring vom Kolben und entsorgen Sie ihn. Beim Entfernen der Dichtungen ist darauf zu achten, dass die Oberfläche des Kolbens nicht beschädigt wird.
- Wenn die vordere Dichtungsstopfbuchse **15** noch im Werkzeugkörper **2** steckt: Legen Sie den Werkzeugkörper mit dem Mundstück nach oben auf eine Werkbank und drücken Sie dann die vordere Dichtungsstopfbuchse von vorne, bis sie aus der Aussparung im Werkzeugkörper herausragt. Die vordere Dichtungsstopfbuchse kann dann vom hinteren Ende des Werkzeugkörpers entfernt werden. Achten Sie dabei darauf, dass die Bohrung im Werkzeugkörper nicht beschädigt wird.
- Entfernen Sie mit einem kleinen Flachschaubendreher den O-Ring **23** und den Spiral-Stützring **34** aus der äußeren Nut der vorderen Dichtungsstopfbuchse **15** und entsorgen Sie sie. Beim Entfernen der Dichtungen ist darauf zu achten, dass die Oberfläche der vorderen Dichtungsstopfbuchse nicht mit dem Schraubendreher beschädigt wird.
- Entfernen Sie die Stangendichtung **25** und die Abstreiferdichtung **22** von den inneren Nuten an der vorderen Dichtungsstopfbuchse **15** und entsorgen Sie sie. Beim Entfernen der Dichtungen ist darauf zu achten, dass die Oberfläche der vorderen Dichtungsstopfbuchse nicht mit dem Schraubendreher beschädigt wird.
- Entfernen Sie den vorderen Lagerring **24** und überprüfen Sie ihn auf Verschleiß oder Beschädigung. Gegebenenfalls entsorgen.
- Entfernen Sie den O-Ring **21** mit einem kleinen Flachschaubendreher vom Werkzeugkörper **2** und entsorgen Sie ihn.
- Entfernen Sie den Ersatz für die *Schnellkupplung - Innengewinde von der Schnellkupplung - Außengewinde 10 am Hydraulikschlauch - Zug **19**.
- Entfernen Sie nicht die Stellschraube **42** vom Werkzeugkörper **2**.

Führen Sie die Montage in umgekehrter Reihenfolge der Demontage durch und beachten Sie die folgenden Punkte:

- Reinigen Sie alle Komponenten vor der Montage.
- Um die Montage der Dichtungen zu erleichtern, tragen Sie eine leichte Beschichtung mit Molykote® 111-Fett auf alle Dichtungen, Dichtungsnuten, Stützringe und die Montagewerkzeuge auf.
- Schieben Sie den O-Ring **23** über die vordere Dichtungsstopfbuchse **15** und in die äußere Nut. Setzen Sie den Spiralstützring **34** in die gleiche Nut vor dem montierten O-Ring ein. Die korrekte Ausrichtung des O-Rings und des Spiralstützrings ist den Hinweisen zur Allgemeinen Montage und der Teileliste zu entnehmen.
- Drücken Sie den vorderen Lagerring **24** in die innere Aussparung innerhalb der vorderen Dichtungsstopfbuchse **15** und montieren Sie dann die Stangendichtung **25** hinter dem vorderen Lagerring. Montieren Sie die Abstreiferdichtung **22** in der vorderen Aussparung der vorderen Dichtungsstopfbuchse. Beachten Sie die Hinweise zur Allgemeinen Montage, um die korrekte Ausrichtung der Stangendichtung und der Abstreiferdichtung sicherzustellen.
- Schmieren Sie die Oberfläche und Vorderkante der Bohrung des Werkzeugkörpers **2**, in welche die vordere Dichtungsstopfbuchse **15** eingebaut werden soll, mit Molykote® 111-Fett.
- Schmieren Sie den Zapfen am Werkzeug für die *Vordere Stopfbuchsenführungsstange und setzen Sie dann die vordere Dichtungsstange **15**, mit dem Ende der Stangendichtung **25** zuerst, vollständig über den Zapfen. Setzen Sie die *Vordere Stopfbuchsenführungsstange in die Rückseite des Werkzeugkörpers **2** ein und drücken Sie die vordere Dichtungsstopfbuchse vollständig in die Bohrung innerhalb des Werkzeugkörpers. Zum Einsetzen der vorderen Dichtungsstopfbuchse in den Werkzeugkörper ist einige Kraft erforderlich, so dass die Verwendung einer Presse oder eines Schraubstocks erforderlich sein kann. Entfernen Sie die *Vordere Stopfbuchsenführungsstange und vergewissern Sie sich, dass die vordere Dichtungsstopfbuchse dabei an ihrem Platz bleibt.
- Schmieren Sie die Dichtungsnut und den großen Außendurchmesser des Kolbens **1** mit Molykote® 111-Fett. Schieben Sie die Kolbendichtung **26** über die Vorderseite des größeren Kolbendurchmessers und in die Dichtungsnut.
- Schrauben Sie die *Kolbenkugel auf den Kolben **1**. Setzen Sie die *Kolbendichtungshülse über die Kolbenwelle und legen Sie dann den äußeren Dichtring von Kolbendichtung **26** über die *Kolbendichtungshülse, so dass er auf dem konischen Durchmesser aufliegt. Die Oberfläche der *Kolbendichtungshülse mit Molykote® 111-Fett schmieren.
- Setzen Sie den *Kolbendichtungsstößel so über die Kolbenwelle **1** und die *Kolbendichtungshülse, dass das offene Ende des *Kolbendichtungsstößels auf dem äußeren Dichtring der Kolbendichtung **26** aufliegt. Schieben Sie mit dem *Kolbendichtungsstößel den äußeren Dichtring über die *Kolbendichtungshülse und in die Kolbendichtungsnut. Zum Erweitern und Einsetzen des äußeren Dichtrings in den Kolben ist einige Kraft erforderlich, so dass die Verwendung einer Presse oder eines Schraubstocks erforderlich ist.
- Entfernen Sie den *Kolbendichtungsstößel und die *Kolbendichtungshülse vom Kolben **1**. Schmieren Sie *Kolbenkugel - Vorderseite, Kolbenwelle und Kolbendichtung **26** mit Molykote® 111-Fett.

Alle **fett gedruckten** Zahlen beziehen sich auf die Allgemeine Montage und die Teileliste auf den Seiten 68, 69 und 70.

* Wartungskit auf Seite 63.

- Schrauben Sie die *Kolbenführungshülse vollständig in die Rückseite des Werkzeugkörpers **2**. Schmieren Sie die Bohrungen sowohl im Werkzeugkörper als auch in der *Kolbenführungshülse mit Molykote® 111-Fett.
- Verbinden Sie den Ersatz für die *Schnellkupplung - Innengewinde mit der Schnellkupplung - Außengewinde **10** am Hydraulikschlauch - Zug **19**. Dadurch kann beim Einsetzen des Kolbens Luft von der Zugseite von Kolben **1** abgelassen werden.
- Stecken Sie den montierten Kolben **1** in die Rückseite des Werkzeugkörpers **2** und durch die montierte vordere Dichtungsstopfbuchse **15**. Drücken Sie den Kolben in die ganz nach vorne gerichtete Position, bis er an der vorderen Dichtungsstopfbuchse stoppt. Hydrauliköl wird aus dem Hydraulikschlauch - Zug **19** ausgestoßen. Zum Einsetzen des Kolbens in den Werkzeugkörper ist einige Kraft erforderlich, so dass die Verwendung einer Presse oder eines Schraubstocks erforderlich sein kann.
- Entfernen Sie den Ersatz für die *Schnellkupplung - Innengewinde von der Schnellkupplung - Außengewinde **10** am Hydraulikschlauch - Zug **19**. Entfernen Sie die *Kolbenführungshülse von der Rückseite des Werkzeugkörpers **2**.
- Schieben Sie den O-Ring **30** über die Endkappe **17** und in die äußere Nut. Setzen Sie den Spiral-Stützring **36** in die gleiche Nut hinter dem montierten O-Ring ein. Die korrekte Ausrichtung des O-Rings und des Spiralstützrings ist den Hinweisen zur Allgemeinen Montage und der Teileliste zu entnehmen.
- Drücken Sie den hinteren Lagerring **29** in die innere Aussparung innerhalb der hinteren Dichtungsstopfbuchse **16** und montieren Sie dann die Stangendichtung **28** hinter dem hinteren Lagerring. Montieren Sie die Abstreiferdichtung **31** in der hinteren Aussparung der hinteren Dichtungsstopfbuchse. Beachten Sie die Hinweise zur Allgemeinen Montage, um die korrekte Ausrichtung der Stangendichtung und der Abstreiferdichtung sicherzustellen.
- Klemmen Sie den Werkzeuggriff so in einen Schraubstock mit weichen Backen, dass das Werkzeug mit dem Mundstück nach unten zeigt.
- Schmieren Sie die Oberfläche und Vorderkante der Bohrung des Werkzeugkörpers **2**, in welche die hintere Dichtungsstopfbuchse **16** eingebaut werden soll, mit Molykote® 111-Fett.
- Füllen Sie die Rückseite des Werkzeugkörpers **2** mit Enerpac® HF-Hydrauliköl. Der Ölstand sollte knapp über der hinteren Einlassbohrung im Werkzeugkörper liegen.
- Verbinden Sie den Ersatz für die *Schnellkupplung - Außengewinde mit der Schnellkupplung - Innengewinde **11** am Hydraulikschlauch - Rückzug **18**. Dadurch kann beim Einsetzen der Endkappe **17** Luft von der Rückzugseite des Kolbens **1** abgelassen werden.
- Schmieren Sie sowohl das Innengewinde im Werkzeugkörper **2** als auch das Außengewinde der Endkappe **17** mit MolyLithium-Fett.
- Setzen Sie die Endkappe **17** in die Rückseite des Werkzeugkörpers **2** ein und achten Sie darauf, dass der O-Ring **30** und der Spiral-Stützring **36** an den Werkzeugkörpergewinden nicht beschädigt werden. Schrauben Sie die Endkappe **17** mit dem *Endkappenmontagewerkzeug vollständig in die Rückseite des Werkzeugkörpers. Dabei wird eine kleine Menge Öl aus dem Hydraulikschlauch - Rückzug **18** ausgestoßen.
- Entfernen Sie den Ersatz für die *Schnellkupplung - Außengewinde von der Schnellkupplung - Innengewinde **11** am Hydraulikschlauch - Rückzug **18**.
- Schrauben Sie den Spannzangenadapter **40** auf den Kolben **1**, bis die Stirnseite bündig zum Ende des Kolbens ist. Richten Sie das Loch im Spannzangenadapter an dem Schlitz am Ende des Kolbens aus und setzen Sie dann den Sicherungsstift **41** ein.
- Saugen Sie Hydraulikflüssigkeit für das Setzwerkzeug an, siehe „Vorbereitung der Arbeit“ auf Seite 61.

Schlauchmontage:

- Entfernen Sie die beiden Schrauben **9** mit einem 3,0-mm-Inbusschlüssel von der Schlauchschelle **13**. Entfernen Sie die Schlauchschelle und den Schelleneinsatz **20** von der Schutzhülle **37** und den Hydraulikschläuchen - Rückzug **18** und Zug **19**.
- Drücken Sie mit dem kleinen Flachsraubendreher den Griffhalter **8** aus dem Werkzeugkörper **2** heraus. Ziehen Sie den Griffhalter über Schutzhülle **37**, Hydraulikschläuche - Rückzug **18** und Zug **19** und entfernen Sie ihn.
- Schneiden Sie den Kabelbinder **35** ab und schieben Sie die Schutzhülle **37** nach hinten, um die Armaturen an den Hydraulikschläuchen **18** und **19** freizulegen. Die Hydraulikschläuche können mit 12- und 14-mm-Schlüsseln vom Werkzeugkörper **2** entfernt werden.
- Die Schnellkupplungen - Außengewinde **10** und Innengewinde **11** können mit 18- und 24-mm-Schraubenschlüsseln von den Hydraulikschläuchen **18** und **19** entfernt werden.

Alle **fett gedruckten** Zahlen beziehen sich auf die Allgemeine Montage und die Teileliste auf den Seiten 68, 69 und 70.

* Wartungskit auf Seite 63.

- Um den Auslöseschalter **7** zu entfernen, lösen Sie zunächst die Kabelverschraubung **38**, so dass sich das Steuerkabel **14** frei im Werkzeugkörper **2** bewegen kann. Lösen Sie dann die M4-Stellschraube **12** mit einem 2,0-mm-Inbusschlüssel.
- Schieben Sie das Steuerkabel **14** in den Werkzeugkörper **2** und ziehen Sie gleichzeitig den Auslöseschalter **7** aus dem Werkzeugkörper, um die Lötstellen an den Anschlüssen des Auslöseschalters freizulegen. Löten Sie die Klemmen ab, um den Auslöseschalter und den Auslöseeinsatz **39** zu entfernen. Der Auslöseeinsatz ist mit dem Auslöseschalter verklebt und kann nicht entfernt werden.
- Das Steuerkabel **14** kann nun aus dem Werkzeugkörper **2** gezogen und aus der Schutzhülle **37** entfernt werden.

Führen Sie die Montage in umgekehrter Reihenfolge der Demontage durch und beachten Sie die folgenden Punkte:

- Reinigen Sie vor der Montage alle Gewinde an den Schnellkupplungen - Außengewinde **10** und Innengewinde **11** und an den Hydraulikschläuchen - Rückzug **18** und Zug **19**. Kleben Sie dann zwei bis drei Schichten 10-mm-PTFE-Band auf die Außengewinde der beiden Hydraulikschläuche.
- Wenn Sie den Auslöseschalter **7** austauschen, tragen Sie *Loctite® 243 auf das Außengewinde des Auslöseschalters auf, bevor Sie den Auslöseeinsatz **39** montieren.
- Tragen Sie *Loctite® 243 vor der Montage auf die M4-Stellschraube **12** auf.
- Nach der Montage gemäß den Anweisungen auf Seite 61 Hydraulikflüssigkeit für das Werkzeug ansaugen.

5.8 UMWELTSCHUTZ

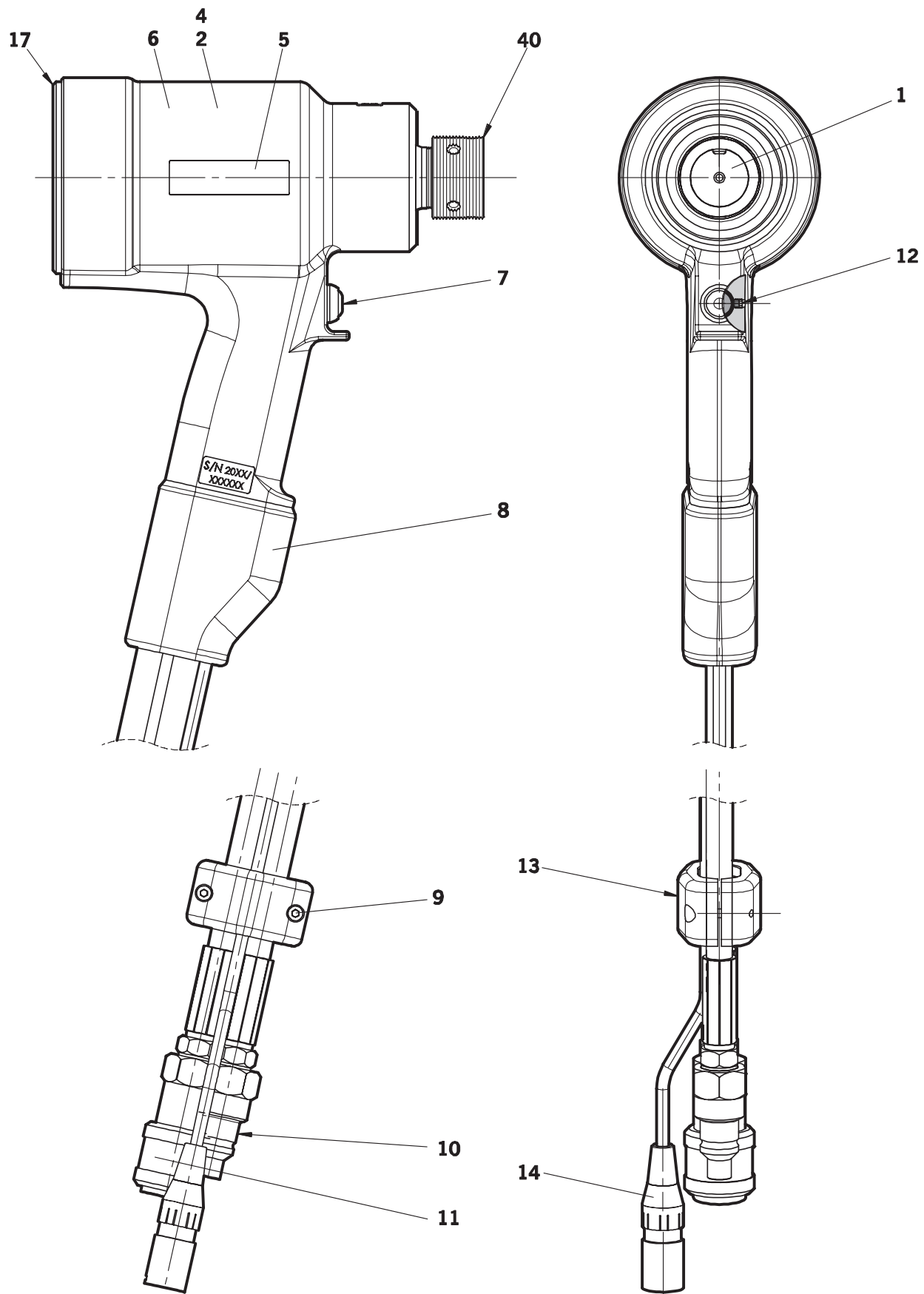
- Geltende Vorschriften zur Abfallentsorgung beachten. Entsorgen Sie alle Abfallprodukte in einer zugelassenen Entsorgungseinrichtung, um Personen und Umwelt nicht zu gefährden.

Alle **fett gedruckten** Zahlen beziehen sich auf die Allgemeine Montage und die Teileliste auf den Seiten 68, 69 und 70.

* Wartungskit auf Seite 63.

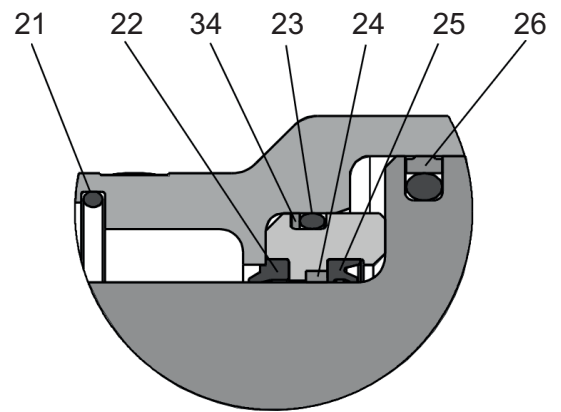
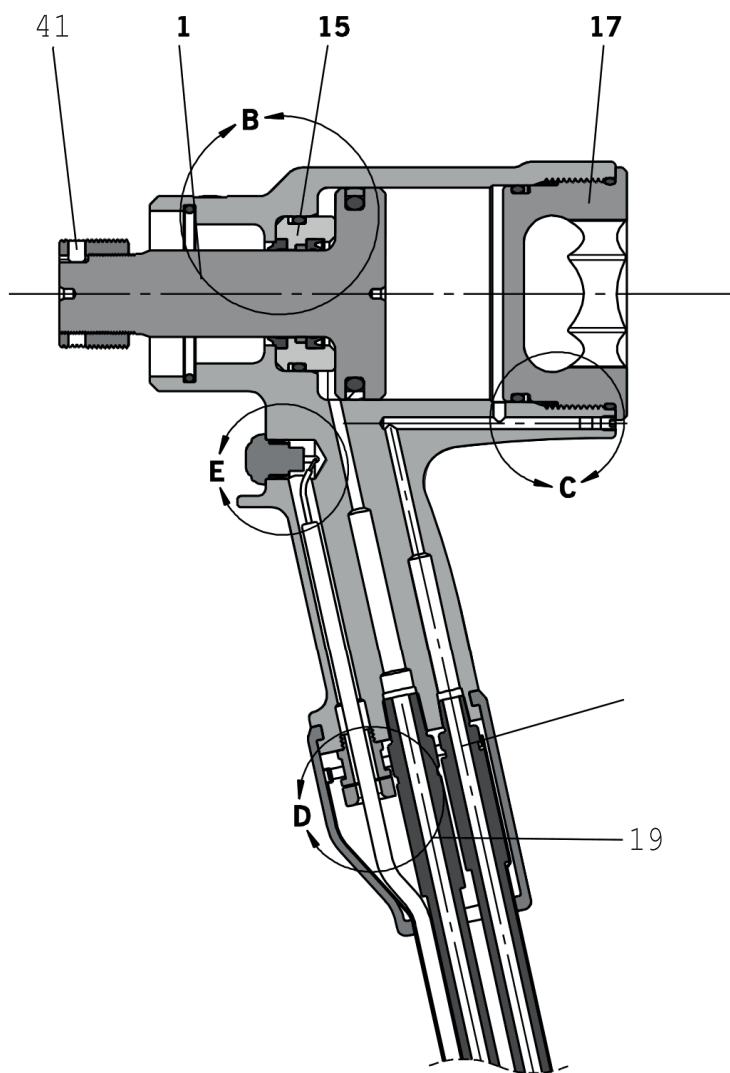
6. ALLGEMEINE MONTAGE UND TEILELISTE

6.1 ALLGEMEINE MONTAGE

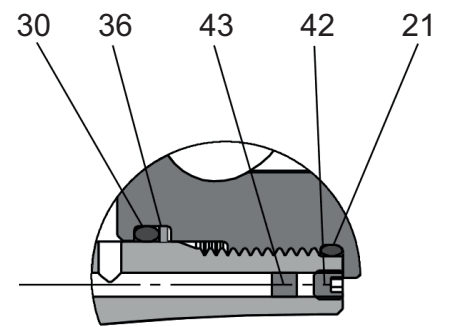


ITEM 37 PROTECTIVE SLEEVE
REMOVED FOR CLARITY

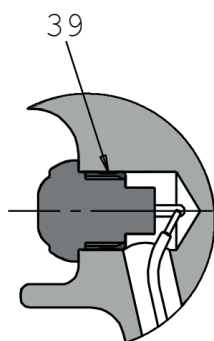
ITEM 37 PROTECTIVE SLEEVE
REMOVED FOR CLARITY



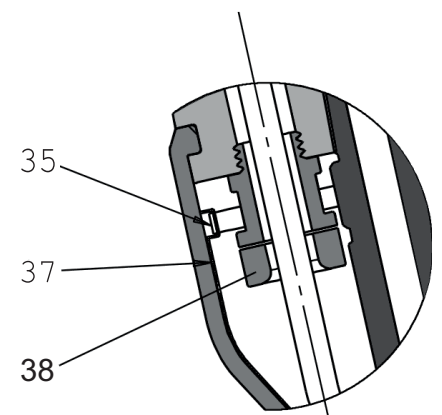
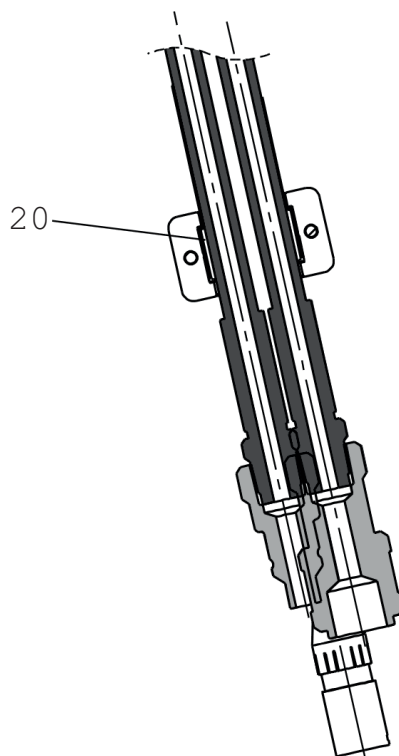
DETAIL B



DETAIL C



DETAIL E



DETAIL D

6.2 TEILELISTE

73432-02000 Teileliste			
POSITION	ARTIKELNUMMER	BESCHREIBUNG	MENGE
1	73434-02003	KOLBEN	1
2	73434-02001	KAROSSERIE	1
3			
4	73425-02016	SICHERHEITSETIKETT	1
5	73434-02026	AV30-ETIKETT	2
6	07007-01504	CE- & UKCA-ETIKETT	1
7	07007-02103	AUSLÖSESCHALTER	1
8	73430-02020	GRIFFHALTER	1
9	07001-00686	M4 X 16 SKT KAPPE HD-SCHRAUBE	2
10	07005-10118	SCHNELLKUPPLUNG - AUSSENGEWINDE	1
11	07005-10120	SCHNELLKUPPLUNG - INNENGEWINDE	1
12	07001-00479	M4 X 4 SKT STELLSCHRAUBE	1
13	73430-02023	SCHLAUCHSCHELLE	1
14	07007-02105	STEUERKABEL	1
15	73434-02004	VORDERE DICHTUNGSSTOPFBUCHSE	1
16			
17	73434-02005	ENDKAPPE	1
18	07005-10119	HYDRAULIKSCHLAUCH - RÜCKZUG	1
19	07005-10117	HYDRAULIKSCHLAUCH - ZUG	1
20	73430-02024	SHELLENEINSATZ	1
21	07003-00463	O-RING	2
22	07003-00452	ABSTREIFERDICHTUNG	1
23	07003-00461	O-RING	1
24	73434-02009	VORDERER LAGERRING	1
25	07003-00451	STANGENDICHTUNG	1
26	07003-00453	KOLBENDICHTUNG	1
27			
28			
29			
30	07003-00464	O-RING	1
31			
32			
33			
34	07003-00494	SPIRAL-STÜTZRING	1
35	07007-02032	KABELBINDER	1
36	07003-00496	SPIRAL-STÜTZRING	1
37	07005-10121	SCHUTZHÜLLE	0,6 m
38	07007-02104	KABELVERSCHRAUBUNG	1
39	73430-02008	AUSLÖSEEINSATZ	1
40	73434-02012	SPANNZANGENADAPTER	1
41	73434-02013	ARRETIERSTIFT	1
42	07001-00481	M5 X 5 SKT STELLSCHRAUBE	1
-	07900-01022	AV30-WERKZEUG – BETRIEBSANLEITUNG	1

7. SICHERHEITSDATEN

7.1 ENERPAC® HF HYDRAULIKÖL - SICHERHEITSDATEN

ERSTE HILFE

HAUT:

Schäden an der Haut bei kurzem oder gelegentlichem Kontakt unwahrscheinlich, aber längere Exposition kann zu Dermatitis führen. Sobald wie möglich gründlich mit Seife und Wasser waschen. Stark verschmutzte Kleidung wechseln und Haut abwaschen.

EINNEHMEN:

Bei Verschlucken in geringen Dosen sind Schäden unwahrscheinlich, größere Mengen können zu Übelkeit und Durchfall führen. Bei Eindringen in den Mund diesen gründlich mit Wasser ausspülen. Außer bei Vorsatz ist die Einnahme großer Mengen des Produktes unwahrscheinlich. Bei Einnahme keinen Brechreiz herbeiführen sondern Arzt aufsuchen. Betroffene Person zum nächsten Arzt oder Krankenhaus bringen.

AUGEN:

Bei unbeabsichtigtem Augenkontakt können vorübergehendes Brennen oder Rötung auftreten. Augen gründlich mit viel Wasser ausspülen und dabei Augenlider offenhalten. Arzt aufsuchen, wenn Schmerzen oder Rötungen auftreten oder anhalten.

MEDIZINISCHER HINWEIS:

Eine Behandlung sollte im Allgemeinen symptomatisch erfolgen und auf die Linderung der Auswirkungen ausgerichtet sein.

Hinweis: Hochdruckanwendungen:

Eindringungen durch die Haut, die durch den Kontakt mit dem Produkt unter hohem Druck entstehen, stellen einen schweren medizinischen Notfall dar. Solche Verletzungen mögen zunächst nicht schwerwiegend erscheinen, aber innerhalb weniger Stunden schwillt das Gewebe an, verfärbt sich und ist äußerst schmerzhaft, da ausgedehnte subkutane Nekrosen entstehen.

Es sollte unverzüglich eine chirurgische Untersuchung erfolgen. Eine gründliche und umfassende Ausschneidung der Wunde und des darunter liegenden Gewebes ist notwendig, um den Gewebeverlust zu minimieren und bleibende Schäden zu verhindern oder zu begrenzen. Beachten Sie, dass der hohe Druck das Produkt über beträchtliche Entfernungen entlang der Gewebeebenen drücken kann.

ENTSORGUNG

Verschüttetes Material mit flüssigkeitsbindendem Material aufnehmen. Austrittsbereich lüften. Kontaminierte Materialien in einem Einwegbehälter und in Übereinstimmung mit den örtlichen Vorschriften entsorgen.

BRAND

FLAMMPUNKT: 200°C.

Geeignete Löschmittel sind entweder Trockenlöschmittel, Schaum oder Kohlendioxid. Geschlossene Räume nur mit unabhängigem Atemschutzgerät betreten.

HANDHABUNG

Schutzcreme oder ölfeste Handschuhe verwenden.

LAGERUNG

Abgedeckt und im Einklang mit örtlichen Vorschriften für brennbare Materialien.

7.2 SICHERHEITSDATEN ZU MOLYLITHIUMFETT EP 3753

Fett kann als Einzelartikel bestellt werden, die Teilenummer ist im Wartungskit auf Seite 63 angegeben.

ERSTE HILFE

HAUT:

Da das Fett vollständig wasserabweisend ist, wird es am besten mit einem zugelassenen emulgierenden Hautreiniger entfernt.

VERSCHLUCKEN:

Sicherstellen, dass die Person 30 ml Magnesium zu sich nimmt, vorzugsweise in Form einer Tasse Milch.

AUGEN:

Reizend, aber nicht schädlich. Mit Wasser spülen und Arzt aufsuchen.

BRAND

FLAMMPUNKT: Über 220°C.

Nicht als brennbar eingestuft.

Geeignete Löschmittel: CO₂, Halon oder Wasserspray, wenn von einem erfahrenen Betreiber angewendet.

UMWELT

Zusammenkratzen und zur Verbrennung oder Entsorgung zur zugelassenen Stelle bringen.

HANDHABUNG

Schutzcreme oder ölfeste Handschuhe verwenden

LAGERUNG

Von Hitze und Oxidationsmitteln fernhalten.

7.3 SICHERHEITSDATEN ZU MOLYKOTE® 111-FETT

Fett kann als Einzelartikel bestellt werden, die Teilenummer ist im Wartungskit auf Seite 63 angegeben.

ERSTE HILFE

HAUT:

Erste Hilfe sollte nicht benötigt werden.

VERSCHLUCKEN:

Erste Hilfe sollte nicht benötigt werden.

AUGEN:

Erste Hilfe sollte nicht benötigt werden.

EINATMEN:

Erste Hilfe sollte nicht benötigt werden.

BRAND

FLAMMPUNKT: Über 101,1°C. (geschlossener Tiegel)

Explosive Eigenschaften: Nein

Geeignete Löschmittel: Kohlendioxid-Schaum, Trockenpulver oder Feinwasserspray. Zum Abkühlen von feuerbelasteten Behältern kann Wasser verwendet werden.

UMWELT

Es werden keine Nebenwirkungen vorhergesagt.

HANDHABUNG

Allgemeine Belüftung wird empfohlen. Augenkontakt vermeiden.

LAGERUNG

Nicht zusammen mit Oxidationsmitteln lagern. Behälter aufbewahren und von Wasser oder Feuchtigkeit fernhalten.

8. FEHLERSUCHE

SYMPTOM	MÖGLICHE URSACHE	ABHILFE	SIEHE SEITE
Das Setzwerkzeug funktioniert nicht	Pumpeneinheit außer Betrieb	Spannungsversorgung der Pumpe überprüfen und Betriebsanleitung der Pumpeneinheit beachten	
	Schnellkupplungen 10 und 11 defekt	Schnellkupplungen austauschen	67
	Auslösersteuerkabel 14 nicht richtig angeschlossen	Überprüfen, ob das Steuerkabel korrekt mit Pumpe und Setzgerät verbunden ist	61
Auslöseschalter 7 funktioniert nicht	Auslöseschalter 7 oder Steuerkabel 14 beschädigt	Auslöseschalter bzw. Steuerkabel austauschen	67
	Pumpe im lokalen Modus	Betriebsanleitung der Pumpe beachten	
	Auslöseschalter 7 , Steuerkabel 14 oder Stecker beschädigt	Auslöseschalter bzw. Steuerkabel austauschen	67
Pumpe läuft, aber das Setzwerkzeug funktioniert nicht	Hydraulikschläuche nicht angeschlossen	Überprüfen, ob die Anschlüsse an Pumpe und Setzwerkzeug korrekt sind	61
	Niedriger Ölstand	Sicherstellen, dass das Setzwerkzeug mit Öl gefüllt ist und die Hydraulikflüssigkeit richtig angesaugt wurde Betriebsanleitung der Pumpe beachten	61
	Externe Ölleckage am Setzwerkzeug	Setzwerkzeug prüfen – verschlissene oder beschädigte Teile ersetzen	64 - 67
	Externe Ölleckage an der Schlauchbaugruppe	Schlauchbaugruppe prüfen – Schlauchverbindungen auf Dichtheit prüfen und/oder beschädigte Schlauchverbindungen ersetzen	67
	Interne/externe Ölleckage an der Pumpe	Betriebsanleitung der Pumpe beachten	
	Setzwerkzeug arbeitet unregelmäßig	Hydraulikdruckversorgung zu niedrig oder unregelmäßig	Betriebsanleitung der Pumpe beachten
Hydraulikdichtungen im Setzwerkzeug verschlissen oder beschädigt		Setzwerkzeug prüfen – verschlissene oder beschädigte Dichtungen ersetzen	64 - 67
Hydraulikdichtungsflächen im Setzwerkzeug verschlissen oder beschädigt		Setzwerkzeug prüfen – verschlissene oder beschädigte Teile ersetzen	64 - 67
Interne/externe Ölleckage an der Pumpe		Betriebsanleitung der Pumpe beachten	
Pumpe baut vollen Druck auf, aber das Stiftende bricht nicht ab	Bruchlast größer als die Setzwerkzeugkapazität bei vollem Druck	Spezifikation des Setzwerkzeugs beachten	58
	Durchfluss zum Setzwerkzeug blockiert	Schnellkupplungen 10 und 11 auf vollständiges Einrasten überprüfen	61
	Pumpendruckbegrenzungswert zu niedrig eingestellt	Einstellungen des Druckbegrenzungsventils justieren; Betriebsanleitung der Pumpe beachten	
	Zugnuten am Stiftende des Verbindungselements abgeschliffen	Siehe Symptom auf Seite 74	62
	Unsachgemäße Bedienung des Werkzeugs		62

SYMPTOM	MÖGLICHE URSACHE	ABHILFE	SIEHE SEITE
Setzwerkzeugkolben 1 kehrt nicht zurück	Rückzug eingeschränkt oder blockiert	Schnellkupplungen 10 und 11 auf vollständiges Einrasten bzw. Fehler überprüfen	61
	Hydraulikschläuche nicht angeschlossen	Überprüfen, ob die Anschlüsse an Pumpe und Setzwerkzeug korrekt sind	61
	Fehlfunktion des Pumpenventils	Betriebsanleitung der Pumpe beachten	
	Falsche Einstellung des Pumpenrückzug-Timers – zu niedrig	Rückzug-Timer auf die empfohlene Einstellung setzen; Betriebsanleitung der Pumpe beachten	
Setzwerkzeug wirft Bund nicht aus dem Amboss heraus	Pumpenrücklaufdruckbegrenzungswert zu niedrig eingestellt	Einstellung des Rückschlagventils korrigieren; Betriebsanleitung der Pumpe beachten	
	Hydraulikdruckversorgung zu niedrig oder unregelmäßig	Betriebsanleitung der Pumpe beachten	
	Hydraulikdichtungen im Setzwerkzeug verschlissen oder beschädigt	Setzwerkzeug prüfen – verschlissene oder beschädigte Dichtungen ersetzen	64 - 67
	Hydraulikdichtungsflächen im Setzwerkzeug verschlissen oder beschädigt	Setzwerkzeug prüfen – verschlissene oder beschädigte Teile ersetzen	64 - 67
Zugnuten am Stiftende des Verbindungselements beim Setzvorgang abgeschliffen	Interne/externe Ölleckage an der Pumpe	Betriebsanleitung der Pumpe beachten	
	Der Bediener drückt das Mundstück nicht vollständig auf das Stiftende des Verbindungselements, bevor er das Werkzeug betätigt	Bediener in die richtige Setzmethode einweisen	62
	Falsche Länge des Verbindungselements / Griffänge Verschlissene oder beschädigte Backensegmente	Richtiges Verbindungselement verwenden Backensatz prüfen und ersetzen; Datenblatt zur Nietausrüstung beachten	62
	Ablagerungen in Backensegmenten und/oder Nuten am Stiftende	Backensegmente reinigen; Datenblatt zur Nietausrüstung beachten	
Avdelok®- oder Avbolt®-Bund nicht vollständig verpresst Stiftende löst sich nicht aus der Nietausrüstung	Übermäßiger Blechabstand	Lücke zwischen den Blechen schließen	62
	Unsachgemäße Bedienung des Werkzeugs		62
	Verschlissene Ambossbohrung	Amboss prüfen und ersetzen; Datenblatt zur Nietausrüstung beachten	
Setzwerkzeug und Hydrauliköl werden heiß	Falsche Montage der Nietausrüstung	Datenblatt zur Nietausrüstung beachten	
	Einschränkung in der Hydraulikleitung	Hydraulische Schnellkupplungen 10 und 11 prüfen und ggf. austauschen	67
An hydraulischen Schnellkupplungen 10 und 11 tritt Öl aus	Hohe Umgebungstemperatur		
	Verschlissener O-Ring im Gehäuse von Schnellkupplung - Außengewinde 10	O-Ring und Stützring in der Schnellkupplung 10 austauschen	67

Alle **fett gedruckten** Zahlen beziehen sich auf die Allgemeine Montage und die Teileliste auf den Seiten 68, 69 und 70.

* Wartungskit auf Seite 63.

9. EC-KONFORMITÄTSERKLÄRUNG

Wir, **Stanley Engineered Fastening, Stanley House, Works Road, Letchworth Garden City, Hertfordshire, SG6 1JY GROSSBRITANNIEN**, erklären in alleiniger Verantwortung, dass das Produkt:

Beschreibung: AV30 HYDROELEKTRISCHES SETZGERÄT

Modell: AV30 STRUKTURNIETWERKZEUG – 73434-02000

auf das sich diese Erklärung bezieht, mit den folgenden harmonisierten Normen übereinstimmt:

ISO 12100:2010	EN ISO 3744:2010
EN ISO 11202:2010	EN ISO 11148-1:2011
EN ISO 4413:2010	EN ISO 20643:2008+A1:2012
EN ISO 4414:2010	ES100118-Rev 17:2017
EN ISO 28927-5:2009+A1:2015	

Die technische Dokumentation wird in Übereinstimmung mit Anhang 1, Abschnitt 1.7.4.1 zusammengestellt, und zwar in Übereinstimmung mit der folgenden Richtlinie: **2006/42/EG Maschinenrichtlinie** (siehe Verordnungen 2008 Nr. 1597 - Bereitstellung von Richtlinien zur Maschinensicherheit).

Der Unterzeichner gibt diese Erklärung ab im Namen von STANLEY Engineered Fastening



A. K. Seewraj

Director of Engineering, UK

Avdel UK Limited, Stanley House, Works Road, Letchworth Garden City, Hertfordshire,
SG6 1JY, GROSSBRITANNIEN

Ort der Ausstellung: Letchworth Garden City, UK

Datum der Ausstellung: 12-12-2011

Der Unterzeichnete ist verantwortlich für die Zusammenstellung des technischen Dossiers für Produkte, die in der Europäischen Union verkauft werden, und gibt diese Erklärung im Namen von Stanley Engineered Fastening ab.

Matthias Appel

Teamleiter Technische Dokumentation

Stanley Engineered Fastening, Tucker GmbH, Max-Eyth-Str.1,
35394 Gießen, Deutschland



Diese Maschine ist konform mit
Maschinenrichtlinie 2006/42/EG

10. GB-KONFORMITÄTSERKLÄRUNG

Wir, **Stanley Engineered Fastening, Stanley House, Works Road, Letchworth Garden City, Hertfordshire, SG6 1JY GROSSBRITANNIEN**, erklären in alleiniger Verantwortung, dass das Produkt:

Beschreibung: AV30 HYDROELEKTRISCHES SETZGERÄT

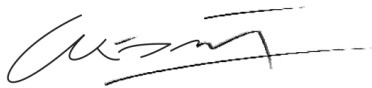
Modell: AV30 STRUKTURNIETWERKZEUG – 73434-02000

auf das sich diese Erklärung bezieht, mit den folgenden harmonisierten Normen übereinstimmt:

ISO 12100:2010	EN ISO 3744:2010
EN ISO 11202:2010	EN ISO 11148-1:2011
EN ISO 4413:2010	EN ISO 20643:2008+A1:2012
EN ISO 4414:2010	ES100118-Rev 17:2017
EN ISO 28927-5:2009+A1:2015	

Die technische Dokumentation wurde in Übereinstimmung mit der Supply of Machinery (Safety) Regulations 2008, S.I. 2008/1597 (in der jeweils gültigen Fassung) erstellt.

Der Unterzeichner gibt diese Erklärung ab im Namen von STANLEY Engineered Fastening



A. K. Seewraj

Director of Engineering, UK

Avdel UK Limited, Stanley House, Works Road, Letchworth Garden City, Hertfordshire,
SG6 1JY, GROSSBRITANNIEN

Ort der Ausstellung: Letchworth Garden City, UK

Datum der Ausstellung: 12-12-2011



Diese Maschine ist konform mit
Supply of Machinery (Safety) Regulations 2008,
S.I. 2008/1597 (in der geänderten Fassung)

11. SCHÜTZEN SIE IHRE INVESTITION!

Stanley® Engineered Fastening BLINDNIETWERKZEUG – GARANTIE

STANLEY® Engineered Fastening garantiert, dass alle Blindnietmutterwerkzeuge sorgfältig hergestellt wurden und dass sie bei normalem Gebrauch und Service für einen Zeitraum von einem (1) Jahr frei von Mängeln in Material und Verarbeitung sind.

Diese Garantie gilt nur für den ursprünglichen Käufer des Werkzeugs und für die ursprüngliche Nutzung.

Ausschlüsse:

Normaler Verschleiß.

Regelmäßige Wartung, Reparatur und Ersatzteilbedarf aufgrund normaler Abnutzung sind von der Garantie ausgeschlossen.

Missbrauch & Fehlbedienung.

Defekte oder Schäden, die durch unsachgemäßen Betrieb, Lagerung, Missbrauch oder Fehlbedienung, Unfall oder Nachlässigkeit entstehen, sowie physische Schäden sind von der Garantie ausgeschlossen.

Unbefugte Wartung oder Änderung.

Defekte oder Schäden, die auf irgendeine Weise durch Kundendienst, Prüfung, Einstellung, Installation, Wartung, Änderung oder Modifikation entstehen, die von anderen Stellen als von STANLEY® Engineered Fastening oder einer autorisierten Kundendienststelle vorgenommen wurden, sind von der Garantie ausgeschlossen.

Alle anderen Garantien, ob ausdrücklich oder impliziert, einschließlich Garantien der Marktgängigkeit oder Eignung für einen bestimmten Zweck, sind ausgeschlossen.

Sollte dieses Werkzeug die Garantiebedingungen erfüllen, bringen Sie es unverzüglich zu einer autorisierten Kundendienststelle an einem Standort in Ihrer Nähe. Für eine Liste der autorisierten STANLEY® Engineered Fastening-Kundendienststellen in den USA oder Kanada rufen Sie uns gebührenfrei an unter: (877)364 2781.

Von außerhalb der USA und Kanada besuchen Sie unsere Website **www.StanleyEngineeredFastening.com**, wo Sie eine Filiale von STANLEY Engineered Fastening in Ihrer Nähe finden.

STANLEY Engineered Fastening wird dann kostenlos alle Teile austauschen, die von uns aufgrund von fehlerhaftem Material oder Verarbeitung als defekt festgestellt wurden und das Werkzeug mit bezahlten Versandkosten zurücksenden. Das ist unsere einzige Verpflichtung unter dieser Garantie.

In keinem Fall ist STANLEY® Engineered Fastening haftbar für irgendwelche Folge- oder speziellen Schäden, die aus dem Kauf oder der Verwendung dieses Werkzeugs entstehen.

Registrieren Sie Ihr Blindnietwerkzeug online.

Um Ihre Garantie online zu registrieren, besuchen Sie uns hier:

<https://www.stanleyengineeredfastening.com/support/warranty-registration-form>

Vielen Dank, dass Sie sich für ein Werkzeug von STANLEY® Engineered Fastening s Marke Stanley Assembly Technologies entschieden haben.

©2019 STANLEY Black & Decker Tutti i diritti riservati.

Le informazioni riportate in questo manuale non possono essere riprodotte e/o rese pubbliche in alcun modo e con alcun mezzo (elettronico o meccanico) senza la preventiva ed esplicita autorizzazione scritta di STANLEY Engineered Fastening. Le informazioni fornite si basano su dati noti al momento dell'uscita sul mercato del prodotto. STANLEY Engineered Fastening persegue una politica di continuo miglioramento dei propri prodotti, pertanto essi potrebbero essere soggetti a modifiche. Le informazioni qui riportate sono applicabili al prodotto così come è stato fornito da STANLEY Engineered Fastening, pertanto STANLEY Engineered Fastening non può essere ritenuta responsabile a fronte di eventuali danni derivanti da possibili deviazioni dalle specifiche originali del prodotto.

Le informazioni disponibili sono state redatte con la massima cura, tuttavia STANLEY Engineered Fastening declina ogni responsabilità per quanto riguarda eventuali errori presenti nelle informazioni e le relative conseguenze. STANLEY Engineered Fastening non accetta alcuna responsabilità per danni derivanti da attività svolte da terzi. L'utilizzo di nomi operativi, nomi commerciali, marchi registrati, ecc. da parte di STANLEY Engineered Fastening non dovrà essere considerato libero, ai sensi della legislazione in materia di protezione dei marchi.

CONTENUTO

1. DEFINIZIONI DI SICUREZZA	80
1.1 NORME DI SICUREZZA GENERALI.....	80
1.2 PERICOLI ASSOCIATI ALL'ESPULSIONE DI PARTI E FRAMMENTI	80
1.3 PERICOLI OPERATIVI.....	81
1.4 PERICOLI ASSOCIATI AI MOVIMENTI RIPETITIVI	81
1.5 PERICOLI RIGUARDANTI GLI ACCESSORI.....	81
1.6 PERICOLI RIGUARDANTI IL LUOGO DI LAVORO	81
1.7 PERICOLI ASSOCIATI AL RUMORE.....	82
1.8 PERICOLI ASSOCIATI ALLA VIBRAZIONE.....	82
1.9 ISTRUZIONI DI SICUREZZA AGGIUNTIVE PER GLI UTENSILI ELETTRIDRAULICI	82
2. SPECIFICHE.....	83
2.1 USO PREVISTO.....	83
2.2 SPECIFICHE TECNICHE DELL'UTENSILE	83
2.3 DIMENSIONI DELL'UTENSILE	84
3. MESSA IN SERVIZIO	85
3.1 PRINCIPIO DI FUNZIONAMENTO	85
3.2 PREPARAZIONE PER L'USO	86
4. ISTRUZIONI D'USO	87
4.1 COME INSTALLARE UN BULLONE A STRAPPO AVBOLT®	87
4.2 COME INSTALLARE UN RIVETTO AVDELOK® XT	87
5. MANUTENZIONE DELL'UTENSILE.....	88
5.1 MANUTENZIONE GIORNALIERA.....	88
5.2 MANUTENZIONE SETTIMANALE.....	88
5.3 MANUTENZIONE ANNUALE / OGNI 150.000 CICLI	88
5.4 KIT DI MANUTENZIONE	88
5.5 ATTREZZI PER LA MANUTENZIONE	88
5.6 OLIO IDRAULICO	88
5.7 ISTRUZIONI PER LO SMONTAGGIO.....	89
5.8 PROTEZIONE DELL'AMBIENTE	92
6. DISEGNO ESPLOSO ED ELENCO DEI COMPONENTI	93
6.1 DISEGNO ESPLOSO	93
6.2 ELENCO DEI COMPONENTI.....	95
7. DATI DI SICUREZZA	96
7.1 OLIO IDRAULICO ENERPACE® HF - DATI DI SICUREZZA	96
7.2 DATI DI SICUREZZA RELATIVI AL GRASSO AL LITIO-MOLIBDENO EP 3753	96
7.3 DATI DI SICUREZZA RELATIVI AL GRASSO MOLYKOTE® 111	97
8. RISOLUZIONE DEI PROBLEMI	98
9. DICHIARAZIONE DI CONFORMITÀ CE.....	100
10. DICHIARAZIONE DI CONFORMITÀ PER IL REGNO UNITO.....	101
11. PROTEGGETE IL VOSTRO INVESTIMENTO!.....	102



Questo manuale di istruzioni deve essere letto dalla persona che installa o utilizza l'utensile, con particolare attenzione alle avvertenze e istruzioni di sicurezza riportate di seguito.



Durante l'impiego dell'utensile indossare sempre un dispositivo di protezione per gli occhi resistente agli urti. Il grado di protezione richiesto deve essere valutato per ciascuna applicazione.



L'uso del prodotto può esporre le mani dell'operatore a pericoli, quali schiacciamenti, urti, tagli, abrasioni e calore. Indossare guanti adatti per proteggere le mani.



Utilizzare protezioni acustiche in conformità con le istruzioni del proprio datore di lavoro e secondo quanto previsto dalle normative sulla salute e sicurezza sul lavoro.

1. DEFINIZIONI DI SICUREZZA

Le definizioni riportate di seguito descrivono il livello di criticità di ciascuna indicazione. Leggere attentamente il manuale, prestando attenzione a questi simboli.



PERICOLO: indica una situazione di pericolo imminente che, se non evitata, provoca lesioni personali gravi o addirittura letali.



AVVERTENZA: indica una situazione potenzialmente pericolosa che, se non evitata, **potrebbe** causare lesioni personali gravi o addirittura mortali.



ATTENZIONE: indica una situazione potenzialmente pericolosa che, se non evitata, **potrebbe** provocare lesioni personali di gravità lieve o media.



ATTENZIONE: quando è riportata senza il simbolo di avviso per la sicurezza, questa indicazione avverte di una situazione di potenziale pericolo che, se non evitata, **potrebbe** causare danni alla proprietà.

L'uso o la manutenzione impropri di questo elettroutensile potrebbero causare gravi danni a persone e cose. Leggere e comprendere tutte le avvertenze e le istruzioni operative prima di utilizzare questa apparecchiatura. Quando si utilizzano degli elettroutensili è sempre necessario seguire le precauzioni di sicurezza di base per ridurre il rischio di lesioni alle persone.

CONSERVARE TUTTE LE AVVERTENZE E LE ISTRUZIONI PER FUTURE CONSULTAZIONI.

1.1 NORME DI SICUREZZA GENERALI

- Per pericoli multipli, leggere e comprendere le istruzioni di sicurezza prima di installare, utilizzare, riparare, mantenere, sostituire gli accessori o lavorare vicino all'elettroutensile. In caso contrario si può incorrere in gravi lesioni personali.
- Questo utensile deve essere installato, regolato o utilizzato esclusivamente da operatori qualificati e addestrati.
- NON utilizzare questo attrezzo per scopi diversi dall'uso previsto di messa in posa di inserti filettati STANLEY Engineered Fastening.
- Utilizzare solo componenti, dispositivi di fissaggio e accessori raccomandati dal produttore.
- NON modificare l'utensile. Eventuali modifiche possono ridurre l'efficacia delle misure di sicurezza e aumentare i rischi per l'operatore. Qualsiasi eventuale modifica apportata all'attrezzo da parte del cliente sarà sotto la sua totale responsabilità e comporterà l'inefficacia delle garanzie applicabili.
- Non gettare le istruzioni di sicurezza; consegnarle all'operatore.
- Non utilizzare l'utensile se è danneggiato.
- Prima dell'uso, verificare che le parti mobili non siano allineate male o inceppate, che non vi siano componenti rotti e qualsiasi altra condizione che possa influire negativamente sul funzionamento della rivettatrice. Se l'utensile è danneggiato, farlo riparare prima dell'uso. Rimuovere qualsiasi chiave di regolazione o chiave inglese prima dell'uso.
- Ispezionare periodicamente l'utensile per verificare che i valori nominali e i contrassegni richiesti da questa parte della norma ISO 11148 siano marcati in modo leggibile sullo stesso. Laddove necessario, il datore di lavoro/l'operatore dovrà contattare il produttore per ottenere le etichette con le marcature sostitutive.
- L'utensile deve essere sempre mantenuto in condizioni operative sicure e ispezionato a intervalli regolari per verificare la presenza di danni e deve essere messo in funzione da personale qualificato. Qualsiasi procedura di smontaggio deve essere effettuata esclusivamente da personale qualificato. Non smontare questo prodotto senza prima avere consultato le istruzioni di manutenzione.

1.2 PERICOLI ASSOCIATI ALL'ESPULSIONE DI PARTI E FRAMMENTI

- Scollegare l'utensile dalla pompa prima di eseguire qualsiasi operazione di manutenzione o regolazione dello stesso e prima di inserire o rimuovere una testata o degli accessori.

- Essere consapevoli del fatto che il guasto del pezzo in lavorazione o degli accessori, o persino dello stesso dispositivo di fissaggio inserito, può generare l'espulsione di parti e frammenti ad alta velocità.
- Durante l'impiego dell'utensile indossare sempre un dispositivo di protezione per gli occhi resistente agli urti. Il grado di protezione richiesto deve essere valutato per ciascuna applicazione.
- Nello stesso tempo dovrebbero essere valutati anche i rischi per le altre persone.
- Assicurarsi che il pezzo in lavorazione sia fissato saldamente.
- Verificare che i sistemi di protezione contro l'espulsione del dispositivo di fissaggio e/o del gambo siano installati e funzionanti.
- Avvisare della possibile espulsione violenta dei gambi dalla parte anteriore dell'attrezzo.
- NON utilizzare l'utensile dirigendolo verso un'altra persona o altre persone.

1.3 PERICOLI OPERATIVI

- L'uso del prodotto può esporre le mani dell'operatore a pericoli, quali schiacciamenti, urti, tagli, abrasioni e calore. Indossare guanti adatti per proteggere le mani.
- Gli operatori e il personale addetto alla manutenzione devono essere fisicamente in grado di gestire l'ingombro, il peso e la potenza dell'elettroscopio.
- Sostenere correttamente l'elettroscopio; essere preparati a contrastare movimenti normali o improvvisi e avere entrambe le mani a disposizione.
- Mantenere l'impugnatura dell'utensile asciutta, pulita e priva di olio e grasso.
- Mantenere una postura equilibrata e un appoggio dei piedi sicuro.
- In caso di interruzione dell'alimentazione idraulica rilasciare il dispositivo di avvio e arresto.
- Utilizzare esclusivamente i lubrificanti consigliati dal produttore.
- Evitare il contatto con il fluido idraulico. Per ridurre al minimo il rischio della comparsa di eruzioni cutanee, lavarsi con cura in caso di contatto.
- Le Schede dei dati sicurezza dei materiali (MSDS) relative a tutti gli oli idraulici e i lubrificanti sono disponibili su richiesta presso il proprio fornitore dell'utensile.
- Evitare posture inadatte poiché è probabile che tali posizioni non consentano di contrastare il movimento normale o imprevisto dell'utensile.
- Se l'utensile è fissato a un dispositivo di sospensione, assicurarsi che il fissaggio sia sicuro.
- Se la testata non è montata, prestare attenzione al rischio di stritolamento o schiacciamento.
- NON usare l'utensile con il cannotto porta-naselli rimosso.
- Prima di procedere è necessario prevedere uno spazio adeguato per le mani dell'operatore dell'utensile.
- Durante il trasporto dell'utensile, tenere le mani lontano dal grilletto per evitare l'attivazione accidentale.
- NON usare l'utensile in modo improprio, facendolo cadere o utilizzandolo come martello.
- Prestare attenzione per assicurarsi che i gambi degli inserti già installati non costituiscano una fonte di pericolo.

1.4 PERICOLI ASSOCIATI AI MOVIMENTI RIPETITIVI

- Quando si utilizza l'utensile è possibile avvertire fastidio a mani, braccia, spalle, collo o altre parti del corpo.
- Durante l'impiego dell'utensile l'operatore deve adottare una postura confortevole, mantenendo un appoggio dei piedi sicuro ed evitando posture scomode o sbilanciate. Cambiare postura durante le attività prolungate può contribuire a evitare disagio e affaticamento.
- Se l'operatore dovesse manifestare sintomi quali fastidio persistente o ricorrente, dolore pulsante, dolore, formicolio, intorpidimento, sensazione di bruciore o rigidità, è importante che non ignori questi segnali di avviso. L'operatore dovrà rivolgersi immediatamente al proprio datore di lavoro e consultare un operatore sanitario qualificato.

1.5 PERICOLI RIGUARDANTI GLI ACCESSORI

- Scollegare l'attrezzo dall'alimentazione idraulica ed elettrica prima di montare o rimuovere la testata o l'accessorio.
- Utilizzare solo tipi e misure di accessori e materiali di consumo raccomandati dal produttore dell'elettroscopio; non usare accessori o materiali di consumo di tipi o misure diversi.

1.6 PERICOLI RIGUARDANTI IL LUOGO DI LAVORO

- Scivolamenti, inciampi e cadute sono le principali cause di infortuni sul lavoro. Prestare attenzione alle superfici rese scivolose dall'uso dell'utensile e anche ai pericoli di inciampo causati dalle tubature dell'aria compressa o dal tubo idraulico.
- Procedere con attenzione in ambienti non familiari. Potrebbero essere presenti pericoli nascosti, come cavi elettrici o linee di altre utenze.

- L'utensile non è destinato all'uso in atmosfere potenzialmente esplosive e non è isolata in caso di contatto con la corrente elettrica.
- Accertarsi che non vi siano cavi elettrici, tubi del gas, ecc. che possono essere pericolosi se danneggiati durante l'uso dell'utensile.
- Indossare indumenti adeguati. Non indossare abiti lenti o gioielli. Tenere capelli, indumenti e guanti lontano dalle parti in movimento. Abiti non aderenti, gioielli o capelli lunghi possono impigliarsi nelle parti in movimento.
- Prestare attenzione per assicurarsi che i gambi degli inserti già installati non costituiscano una fonte di pericolo.

1.7 PERICOLI ASSOCIATI AL RUMORE

- L'esposizione non protetta a livelli elevati di rumore può causare un'invalidità permanente, la perdita dell'udito e altri problemi, come l'acufene (un disturbo uditivo costituito da fischi, brusii o ronzii nelle orecchie). La valutazione dei rischi e l'implementazione di controlli appropriati per gli stessi sono essenziali.
- Tra i controlli opportuni per ridurre il rischio possono essere incluse azioni quali l'impiego di materiali che assorbono il rumore per evitare che i pezzi in lavorazione "rimbombino".
- Utilizzare protezioni acustiche in conformità con le istruzioni del proprio datore di lavoro e secondo quanto previsto dalle normative sulla salute e sicurezza sul lavoro.
- Utilizzare e mantenere l'attrezzo come consigliato nel manuale di istruzioni, per evitare un inutile aumento del livello di rumore.

1.8 PERICOLI ASSOCIATI ALLA VIBRAZIONE

- L'esposizione alla vibrazione può causare danni invalidanti ai nervi e alla circolazione sanguigna di mani e braccia.
- Indossare indumenti caldi quando si lavora in ambienti freddi e tenere le mani calde e asciutte.
- Se si dovessero avvertire intorpidimento, formicolio, dolore o sbiancamento della pelle delle dita o delle mani, interrompere l'uso dell'utensile, informare il proprio datore di lavoro e consultare un medico.
- Laddove possibile, sostenere il peso dell'elettro-utensile avvalendosi di un supporto, un tenditore o un bilanciatore, che consentono di applicare una presa più leggera per sostenerlo.

1.9 ISTRUZIONI DI SICUREZZA AGGIUNTIVE PER GLI UTENSILI ELETTROIDRAULICI

- L'alimentazione idraulica di funzionamento non deve superare 550 bar (8000 PSI).
- L'olio in pressione può causare gravi lesioni personali.
- Non montare tubi flessibili idraulici classificati per sopportare una pressione di esercizio inferiore a 700 bar (10.000 PSI) a una portata di 2,73 l/min (200 in 3/min).
- Non lasciare mai incustodito l'attrezzo in funzione. Scollegare il tubo flessibile idraulico e il cavo elettrico dalla pompa quando l'utensile non è in uso e prima di cambiare gli accessori o di effettuare riparazioni.
- Se i tubi flessibili vengono sbattuti possono causare gravi lesioni personali. Verificare sempre se sono presenti tubi flessibili e raccordi danneggiati o allentati.
- Prima dell'uso, ispezionare i tubi idraulici per la presenza di eventuali danni, tutti i collegamenti idraulici devono essere puliti, completamente innestati e serrati prima dell'uso. Non far cadere oggetti pesanti sui tubi flessibili. Un forte impatto potrebbe causare danni interni e provocare una rottura prematura del tubo.
- Ogni volta che si utilizzano giunti a camma (con innesti a denti), devono essere installati i perni di bloccaggio e devono essere utilizzati cavi di sicurezza a soffietto per proteggersi da possibili guasti del collegamento tubo-utensile o tubo-flessibile.
- Non sollevare la rivettatrice afferrandola dal tubo flessibile o dal cavo elettrico, ma utilizzare sempre l'impugnatura.
- Non spostare o tirare la pompa idraulica afferrando i tubi. Utilizzare sempre il manico della pompa o la scocca di sicurezza.
- Evitare l'ingresso di sporcizia e corpi estranei dall'impianto idraulico dell'attrezzo per evitare malfunzionamenti dello stesso.
- Utilizzare solo olio e attrezzatura di riempimento dell'olio puliti.
- È possibile usare solo i fluidi idraulici raccomandati.
- Le unità elettriche richiedono un passaggio di aria libero per il raffreddamento e devono quindi essere posizionate in un'area ben ventilata non esposta a fumi pericolosi.
- La temperatura massima del fluido idraulico in entrata è di 110 °C (230°F).

Nell'ambito della propria politica di sviluppo e miglioramento continui dei prodotti, STANLEY Engineered Fastening si riserva il diritto di apportare modifiche alle specifiche di qualsiasi prodotto senza alcun preavviso.

2. SPECIFICHE

2.1 USO PREVISTO

L'utensile di installazione AV™ 30 consiste principalmente in un gruppo pistone e cilindro. Quando è accoppiato idraulicamente ed elettricamente a una fonte di alimentazione idraulica compatibile e il relativo gruppo di testa è collegato, viene quindi utilizzato per installare rivetti da 1/2" a 5/8" Avbolt® e 1/2" to 3/4" Avdelok® XT in ambienti industriali.

L'utensile di installazione e la pompa idraulica possono essere utilizzati solo in conformità con le istruzioni operative per il piazzamento dei rivetti strutturali Stanley Engineered Fastening.

Per l'elenco degli elementi di fissaggio installabili e delle testate associate fare riferimento alla tabella seguente. Consultare le schede tecniche elencate nella tabella per le istruzioni di montaggio della testata pertinente.

NON utilizzare l'utensile in ambienti umidi o in presenza di liquidi infiammabili o gas.

RIVETTO		TESTATA			TESTATA SCHEDA TECNICA
TIPO	DIMENSIONI	CODICE PEZZO	DIM. "A"	DIM. "B"	CODICE PEZZO
AVBOLT®	1/2"	73412-03600	113 mm	43 mm	07900-00905
	5/8"	73412-03400	113 mm	52 mm	07900-00905
AVDELOK® XT	1/2"	73412-03100	113 mm	43 mm	07900-00919
	5/8"	73412-03200	115 mm	48 mm	07900-00919
	3/4"	73412-03300	134 mm	56 mm	07900-00919

*Gruppo di testa con rilascio delle ganasce.

Per identificare le dimensioni "A" e "B" della testata fare riferimento alla figura riportata a pagina 84.

Attenersi sempre alle istruzioni di sicurezza.

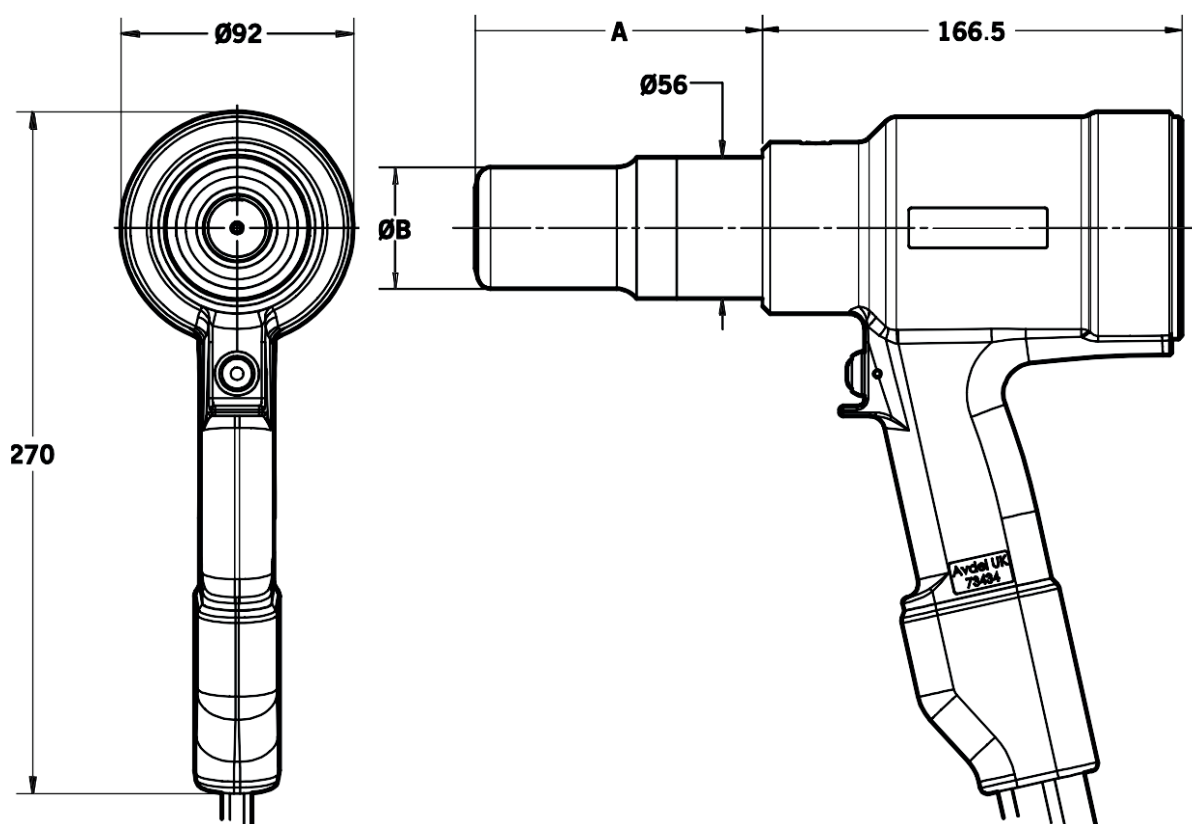
2.2 SPECIFICHE TECNICHE DELL'UTENSILE

	DATI TECNICI	SIST. METRICO	SIST. IMPERIALE
Forza	Trazione alla pressione di trazione dichiarata	175,0kN	39341,0 lbf
	Spinta verso l'esterno alla pressione di ritorno dichiarata	80,0kN	17985,0 lbf
Pressione	Trazione	510 bar	7397 PSI
	Ritorno	200 bar	2901 PSI
Corsa	Corsa del pistone	41,0 mm	1,61 in
Peso:	Senza la testata	6,9 kg	15,3 lb
Olio idraulico:	Olio idraulico Enerpac® – HF-95X		
Gamma di elementi di fissaggio:	Avbolt®	12,7 – 15,9 mm	1/2 - 5/8 in
	Avdelok® XT	12,7 – 19,1 mm	1/2 - 3/4 in
Caratteristiche aggiuntive	Espulsione dei gambi - Anteriore o posteriore	Parte anteriore	
	Disposizione delle guarnizioni	Guarnizioni a labbro e raschiaolio	
	Anelli per cuscinetti idraulici	Sì - Parte anteriore	
	Impugnatura protettiva / Coperchio flessibile in gomma dell'impugnatura	Sì	
	Protezione tubo flessibile	Sì	
	Morsetti fermacavo/fermatubo	Sì	

Valori di rumorosità stabiliti in base al codice del test di rumorosità utilizzando gli standard ISO 15744 e ISO 3744.		AV30
Livello di potenza sonora ponderato "A" dB (A), L_{WA}	Incertezza rumore: $k_{WA} = 3,0$ dB(A)	94,3 dB(A)
Livello di pressione sonora ponderato "A" dell'emissione presso la postazione di lavoro dB(A), L_{pA}	Incertezza rumore: $k_{pA} = 3,0$ dB(A)	83,3 dB(A)
Livello di pressione sonora di picco ponderato "C" dell'emissione dB (C), L_{pC} picco	Incertezza rumore: $k_{pC} = 3,0$ dB(C)	128,1 dB(C)

Valori di vibrazione stabiliti in base al codice del test di vibrazione utilizzando gli standard ISO 20643 e ISO 5349.		AV30
Livello di emissione di vibrazione, a_{hd} .	Vibrazione incertezza: $k = 0,48$ m/s ²	0,952 m/s ²
Valori di emissione di vibrazione dichiarati ai sensi della norma EN 12096		

2.3 DIMENSIONI DELL'UTENSILE



Tutte le dimensioni sono indicate in millimetri.

Per le dimensioni "A" e "B" della testata fare riferimento alla tabella riportata a pagina 83.

L'attrezzo è dotato di due tubi idraulici e un cavo di controllo elettrico, lungo 0,6 m. Sono disponibili prolunghe dei tubi flessibili idraulici e del cavo di lunghezze diverse, ordinabili separatamente, secondo necessità. Per le lunghezze dei tubi flessibili disponibili e i rispettivi codici pezzo fare riferimento alla tabella seguente.

MONTAGGIO TUBO IDRAULICO	
CODICE PEZZO	LUNGHEZZA TUBO FLESSIBILE
07008-00448	5 metri
07008-00449	10 metri
07008-00450	15 metri

3. MESSA IN SERVIZIO

3.1 PRINCIPIO DI FUNZIONAMENTO

IMPORTANTE: PRIMA DELLA MESSA IN SERVIZIO LEGGERE ATTENTAMENTE LE ISTRUZIONI DI SICUREZZA ALLE PAGINE 80 – 82 E IL MANUALE DI ISTRUZIONI DELLA POMPA.

Quando il tubo flessibile e il cavo di controllo vengono collegati alla pompa idraulica Avdel® / Enerpac® i cicli di trazione e ritorno dell'utensile vengono controllati premendo e rilasciando il grilletto di azionamento situato nell'impugnatura.

Premendo il grilletto di azionamento l'elettrovalvola all'interno della pompa idraulica viene eccitata e dirige il flusso di olio in pressione verso il lato di trazione del pistone nella rivettatrice. Ciò consente inoltre all'olio che si trova nel lato di ritorno della rivettatrice di tornare nel serbatoio.

Durante il ciclo di trazione, il gruppo pistone/pinza si sposta verso la parte posteriore dell'utensile consentendo all'o-ring di spingere in avanti l'anello mobile e le ganasce. Se nella testata è stato inserito un rivetto il gruppo ganasce ne afferra il gambo e ha inizio il ciclo di ribaditura.

Per i rivetti Avbolt® e Avdelok® XT durante il ciclo di installazione prima viene bloccato il giunto da fissare e successivamente, mentre la battuta continua a spostarsi in avanti, il collare viene inserito nelle scanalature di bloccaggio del perno. Alla fine del ciclo, la battuta viene a contatto con il giunto e, man mano che lo spostamento prosegue, il gambo viene spezzato.

Il grilletto di azionamento deve essere rilasciato immediatamente dopo la rottura del gambo. Rilasciando il grilletto viene diseccitata l'elettrovalvola e la direzione del flusso dell'olio in pressione si inverte.

Se il grilletto di azionamento non viene rilasciato, il pistone della troncatrice continua a spostarsi verso la parte posteriore dell'utensile fino a raggiungere la fine della sua corsa. La pressione sul lato di trazione aumenta fino a raggiungere un valore di "Pressione massima" preimpostato sulla pompa. A questo punto l'elettrovalvola si diseccita automaticamente e inverte la direzione il flusso dell'olio in pressione verso il lato di ritorno della rivettatrice.

In entrambi i casi, l'olio in pressione fluisce nel lato di ritorno della rivettatrice, con l'olio nel lato di trazione che torna nel serbatoio.

Lo spostamento in avanti del gruppo pistone/pinza produce l'espulsione del rivetto installato dalla battuta.

Nel momento in cui si rilascia il grilletto di azionamento quando viene raggiunto il valore di "Pressione massima", l'elettrovalvola si diseccita e attiva un "Timer di ritorno" preimpostato. Questo timer controlla il tempo in cui il motore della pompa continuerà a funzionare prima di passare alla modalità di riposo. Il timer può essere impostato manualmente a un valore compreso tra 5 e 20 secondi per garantire che il pistone della rivettatrice torni sempre completamente in posizione avanzata (consultare il manuale della pompa 07900-01030, pagine 10 e 13).

Quando il pistone torna nella posizione completamente avanzata, la pressione aumenta fino al valore di pressione minima preimpostato di circa 200 bar. Il motore della pompa continua a funzionare fino allo scadere del tempo programmato sul timer di ritorno, dopodiché si arresta in automatico e la valvola passa alla posizione di riposo. L'elettrovalvola esegue quindi un ciclo automatico per scaricare l'olio in pressione nel serbatoio dal lato di trazione e di ritorno della rivettatrice.

In questo modo la rivettatrice viene mantenuta nella posizione avanzata. A questo punto nel sistema idraulico non è presente alcuna pressione.

La pompa idraulica si avvia automaticamente con la pressione del grilletto di azionamento dell'utensile di installazione.

3.2 PREPARAZIONE PER L'USO

ATTENZIONE - PER IL CORRETTO FUNZIONAMENTO DELL'UTENSILE È IMPORTANTE CHE I VALORI DELLA PRESSIONE DI TRAZIONE E DI RITORNO SIANO CORRETTI. IN ASSENZA DEI VALORI DI PRESSIONE CORRETTI POTREBBERO VERIFICARSI LESIONI PERSONALI O DANNI ALLE APPARECCHIATURE. I VALORI DELLA PRESSIONE DI TRAZIONE E RITORNO FORNITI DALLA POMPA IDRAULICA NON DEVONO SUPERARE QUELLI INDICATI NELLE SPECIFICHE TECNICHE DELL'UTENSILE DI INSTALLAZIONE.

IMPORTANTE – PRIMA DELLA MESSA IN SERVIZIO DELL'UTENSILE DI INSTALLAZIONE E DEL SET DI TUBI IDRAULICI:

ACCERTARSI CHE LE VALVOLE DI MASSIMA PRESSIONE DELLA POMPA SIANO STATE IMPOSTATE CONFORMEMENTE ALLE ISTRUZIONI DELLA POMPA E AI VALORI MASSIMI DI PRESSIONE SPECIFICATI PER L'UTENSILE DI INSTALLAZIONE E I TUBI FLESSIBILI.

ACCERTARSI CHE IL SET DI TUBI FLESSIBILI SIA CARICATO CON FLUIDO IDRAULICO SECONDO LA PROCEDURA DESCRITTA NEL MANUALE DI ISTRUZIONI DELLA POMPA 07900-01030.

- Accertarsi che l'alimentazione elettrica di rete della pompa idraulica sia disattivata.
- Collegare i raccordi a innesto rapido dei tubi flessibili idraulici della rivettatrice direttamente alla pompa prima di collegare il cavo di controllo elettrico. I tubi flessibili e il cavo di controllo devono essere collegati in questo ordine e scollegati in ordine inverso.
- Attivare l'alimentazione elettrica di rete della pompa idraulica. Attendere 5 secondi affinché la pompa completi la sequenza di avvio, prima di premere il grilletto di azionamento. Quando tutto è impostato, sul display LCD della pompa viene visualizzata la scritta "AVDEL".
- Durante la sequenza di avvio il sistema di controllo della pompa identifica qualsiasi operazione effettuata tramite il grilletto di azionamento come potenziale malfunzionamento e impedisce l'avvio del motore. In questo caso sul display LCD della pompa viene visualizzato il messaggio "BUTTON FAULT" (Errore del pulsante). Ripristinare il sistema disattivando l'alimentazione per 10 secondi.
- Accertarsi che la rivettatrice sia posizionata sotto i serbatoi della pompa. Premere e rilasciare il grilletto di azionamento della rivettatrice alcune volte fino a far compiere all'utensile quasi la corsa completa in modo da fare circolare il fluido idraulico ed espellere l'aria dall'utensile.
- Osservare l'azione della rivettatrice. Verificare se sono presenti perdite di fluido e assicurarsi che in modalità di riposo il pistone sia nella posizione completamente avanti. A questo punto la rivettatrice viene caricata.
- Scollegare l'alimentazione elettrica di rete della pompa idraulica, quindi scollegare la rivettatrice dalla pompa in ordine inverso a quello sopra descritto.
- A questo punto collegare la rivettatrice al set di tubi flessibili idraulici caricati e al cavo di controllo elettrico, quindi collegare i raccordi a innesto rapido del set di tubi flessibili idraulici e il cavo di controllo elettrico alla pompa.
- Montare la testata alla rivettatrice seguendo le istruzioni riportate nella scheda tecnica della testata pertinente.
- Attivare l'alimentazione elettrica di rete della pompa idraulica come descritto sopra.
- Premere e rilasciare il grilletto di azionamento della rivettatrice alcune volte fino a far compiere all'utensile quasi la corsa completa in modo da fare circolare il fluido idraulico.
- A questo punto la rivettatrice è pronta per l'uso.

4. ISTRUZIONI D'USO

4.1 COME INSTALLARE UN BULLONE A STRAPPO AVBOLT®

- Controllare il lavoro ed eliminare il gioco in eccesso. (Per "gioco" si intende lo spazio vuoto tra i componenti del giunto. Il gioco è eccessivo se la parte del gambo che fuoriesce dal collare non viene raggiunta dalle ganasce).
- Inserire il bullone a strappo Avbolt® nel foro.
- Spingere la testata sul perno fino a quando la battuta della testata si arresta contro il collare. La rivettatrice e la testata devono essere tenute ad angolo retto (90°) rispetto ai componenti da rivettare.
- Premere il grilletto di azionamento della rivettatrice per avviare il ciclo di installazione.
- Quando il movimento in avanti della battuta della testata si arresta e il gambo del rivetto si spezza, rilasciare il grilletto. La rivettatrice inizierà la sua corsa di ritorno e spingerà via il dispositivo di fissaggio installato. Al termine della corsa di ritorno, le ganasce rilasceranno parzialmente il gambo esaurito che può essere rimosso inclinando verso il basso la punta dell'utensile.
- Una volta espulso il rivetto installato, la rivettatrice e la testata sono pronte per l'installazione successiva.

4.2 COME INSTALLARE UN RIVETTO AVDELOK® XT

- Controllare il lavoro ed eliminare il gioco in eccesso. (Per "gioco" si intende lo spazio vuoto tra i componenti del giunto. Il gioco è eccessivo se la parte del gambo che fuoriesce dal collare non viene raggiunta dalle ganasce).
- Inserire il rivetto Avdelok® XT nel foro.
- Fare scorrere il collare del rivetto Avdelok® XT sul perno. (L'estremità smussata del collare deve essere rivolta verso la testata e l'utensile.)
- Spingere la testata sul perno fino a quando la battuta della testata si arresta contro il collare. La rivettatrice e la testata devono essere tenute ad angolo retto (90°) rispetto ai componenti da rivettare.
- Premere il grilletto di azionamento della rivettatrice per avviare il ciclo di installazione.
- Quando il movimento in avanti della battuta della testata si arresta e il gambo del rivetto si spezza, rilasciare il grilletto. La rivettatrice inizierà la sua corsa di ritorno e spingerà via il dispositivo di fissaggio installato. Al termine della corsa di ritorno, le ganasce rilasceranno parzialmente il gambo esaurito che può essere rimosso inclinando verso il basso la punta dell'utensile.
- Una volta espulso il rivetto installato, la rivettatrice e la testata sono pronte per l'installazione successiva.

ATTENZIONE - CERCARE DI SPEZZARE IL GAMBO SENZA COLLARE INSTALLATO, IN QUANTO CIÒ CAUSEREBBE L'ESPULSIONE DALLA TESTATA AD ALTA VELOCITÀ E FORZA DELLA PARTE NON FISSATA DEL GAMBO DEI PRODOTTI AVDELOK® O AVBOLT®.

5. MANUTENZIONE DELL'UTENSILE

IMPORTANTE - LEGGERE LE ISTRUZIONI DI SICUREZZA ALLE PAGINE 80 - 82. IL DATORE DI LAVORO É RESPONSABILE DEL FATTO CHE LE ISTRUZIONI DI MANUTENZIONE DELL'UTENSILE SIANO FORNITE AL PERSONALE APPROPRIATO. L'OPERATORE NON DOVREBBE ESSERE COINVOLTO NELLA MANUTENZIONE O RIPARAZIONE DELL'UTENSILE, A MENO CHE ESSO NON SIA STATO ADEGUATAMENTE ISTRUITO IN TAL SENSO. L'ATTREZZO DEVE ESSERE ESAMINATO REGOLARMENTE PER EVENTUALI DANNI E MALFUNZIONAMENTI.

5.1 MANUTENZIONE GIORNALIERA

- Controllare che non vi siano perdite di olio dalla rivettatrice, dai tubi flessibili e dai raccordi a innesto rapido.
- Sostituire tubi e raccordi usurati o danneggiati.
- Controllare che la corsa del pistone della rivettatrice soddisfi il valore specificato.
- Verificare che il deflettore dei gambi sia montato.
- Verificare che la valvola di sfogo della pressione di trazione/avanzamento della pompa funzioni correttamente.
- Verificare l'usura della battuta indicata dalla presenza di graffi sul collare installato. Ciò può essere confermato anche facendo riferimento ai dati di installazione nel catalogo dei dispositivi di fissaggio. L'eccessiva usura può causare la rottura della battuta.

5.2 MANUTENZIONE SETTIMANALE

- Smontare e pulire la testata, in particolare le ganasce, come descritto nella scheda tecnica della testata pertinente.
- Verificare se sono presenti perdite d'olio dal modulo di installazione, dai tubi e dai raccordi a innesto rapido

ATTENZIONE – Non utilizzare mai solventi o altri prodotti chimici aggressivi per pulire le parti non metalliche dell'utensile. Tali prodotti chimici indeboliscono i materiali utilizzati per questi componenti.

5.3 MANUTENZIONE ANNUALE / OGNI 150.000 CICLI

- Ogni 150.000 cicli l'utensile dovrebbe essere completamente smontato e dovrebbero essere utilizzati nuovi componenti in caso di usura, danneggiamento o secondo le raccomandazioni. Tutti gli o-ring, gli anelli di spallamento e le guarnizioni devono essere rinnovati e lubrificati con grasso MolyKote® 111 prima del montaggio.

5.4 KIT DI MANUTENZIONE

Per una manutenzione completa è disponibile il seguente Kit di manutenzione:

KIT DI MANUTENZIONE:: 73432-99990			
CODICE PEZZO	DESCRIZIONE	CODICE PEZZO	DESCRIZIONE
07005-10118	Raccordo a innesto rapido maschio	07900-00972	Asta di guida premistoppa anteriore AV30
07005-10120	Raccordo a innesto rapido femmina	07900-00963	Bussola di guida del pistone AV30
07900-00958	Corpo attrezzo per fondello	07992-00020	Grasso al litio-molibdeno EP3753
07900-00969	Manicotto di guida del pistone AV30	07900-00755	Grasso Molykote® 111
07900-00970	Stantuffo di guarnizione pistone AV30	07900-00756	Frenafilietti Loctite® 243
07900-00971	Capsula pistone anteriore AV30		

5.5 ATTREZZI PER LA MANUTENZIONE

Sono inoltre necessari i seguenti attrezzi standard:

- Chiave a brugola: 2,0 / 3,0 mm
- Chiave a forcella piatta: 12 / 14 / 18 / 24 / 45 mm A/F
- Nastro in PTFE: 10 mm
- Morsa da banco con protezioni per le ganasce - 150 mm

5.6 OLIO IDRAULICO

ATTENZIONE – Utilizzare esclusivamente olio idraulico HF Enerpac®. L'uso di qualsiasi altro olio può causare il malfunzionamento dell'utensile di installazione e della pompa e rendere nulla la garanzia dell'utensile.

L'olio idraulico è disponibile per l'ordinazione con i seguenti codici.

OLIO IDRAULICO			
CODICE PEZZO	07992-00081	07992-00082	07992-00083
Codice pezzo Enerpac®	HF-95X	HF-95Y	HF-95T
Volume	1 litro	5 litri	20 litri
Viscosità	32 mm ² /s	32 mm ² /s	32 mm ² /s

5.7 ISTRUZIONI PER LO SMONTAGGIO

IMPORTANTE - ACCERTARSI CHE L'ALIMENTAZIONE ELETTRICA DI RETE DELLA POMPA IDRAULICA SIA DISATTIVATA PRIMA DI RIMUOVERE LA TESTATA O DI SMONTARE L'UTENSILE DI INSTALLAZIONE.

Prima dello smontaggio

- Scollegare i raccordi a innesto rapido **10** e **11** e il cavo di controllo elettrico **14** tra la rivettatrice e il gruppo tubo flessibile idraulico.
- Rimuovere la testata della rivettatrice seguendo le istruzioni riportate nella scheda tecnica della testata pertinente.
- Le sostanze potenzialmente pericolose che potrebbero essersi depositate sulla macchina a seguito dei processi lavorativi devono essere rimosse prima della manutenzione.

Per una manutenzione completa dell'utensile consigliamo di procedere allo smontaggio dell'utensile nell'ordine descritto nelle pagine da 89 a 92. Dopo aver smontato l'utensile si consiglia di sostituire tutte le guarnizioni.

Gruppo pistone

- Utilizzando un piccolo cacciavite a punta piatta, rimuovere il perno **41** dall'adattatore per pinza **40**.
- Svitare e rimuovere l'adattatore per pinza **40** dal pistone **1**.
- Bloccare l'impugnatura della rivettatrice in una morsa con ganasce morbide in modo che l'utensile sia rivolto verso il basso.
- Collegare il *raccordo a innesto rapido maschio al raccordo a innesto rapido femmina **11** sul tubo flessibile idraulico di ritorno **18**. In tal modo si scaricherà la pressione dal lato di ritorno del pistone **1** e sarà agevolata la rimozione del fondello **17**.
- Inserire il *corpo dell'attrezzo per fondello nel fondello **17**.
- Utilizzando una chiave A/F da 24 mm, svitare e rimuovere il fondello **17** dal corpo **2**.
- Utilizzando un piccolo cacciavite a punta piatta, rimuovere l'o-ring **21** dal fondello **17** e gettarlo via.
- Utilizzando un piccolo cacciavite a punta piatta o un attrezzo simile, rimuovere l'o-ring **30** e l'anello ausiliario a spirale **36** dalla scanalatura esterna del fondello **17** e gettarli via. Quando si rimuovono le guarnizioni, prestare attenzione a non danneggiare la superficie del fondello con il cacciavite.
- Rimuovere la rivettatrice dalla morsa e svuotare l'olio idraulico dalla parte posteriore dell'utensile. Rimuovere il *raccordo a innesto rapido maschio dal raccordo a innesto rapido femmina **11**.
- Collegare il *raccordo a innesto rapido femmina al raccordo a innesto rapido maschio **10** sul tubo flessibile idraulico di trazione **19**. In tal modo si scaricherà la pressione dal lato di trazione del pistone **1** e sarà agevolata la rimozione del pistone **1**.
- Avvitare la *capsula pistone anteriore sulla parte anteriore del pistone **1**.
- Posizionare il corpo della rivettatrice **2** con il nasello rivolto verso l'alto su un banco, quindi, utilizzando una mazzuola morbida, picchiare sul pistone **1** verso la parte posteriore del corpo e l'esterno dell'estremità posteriore, facendo attenzione a non danneggiare il foro all'interno del corpo.
- Tenere presente che quando si rimuove il pistone **1**, l'olio sul lato di trazione del pistone uscirà dalla parte anteriore e posteriore del corpo **2**.
- Quando si rimuove il pistone **1** il premistoppa con guarnizione anteriore **15** può essere trattenuto sull'albero del pistone. In tal caso, svitare la *capsula del pistone anteriore ed estrarre la guarnizione anteriore dal pistone.
- La guarnizione pistone **26** è una guarnizione a 2 pezzi costituita da un anello di tenuta esterno e un O-ring interno. Utilizzando un coltellino, tagliare l'anello di tenuta esterno e rimuoverlo dalla scanalatura esterna sul pistone **1**. Quindi,

Tutti i numeri in **grassetto** si riferiscono al Disegno esplosivo e all'Elenco dei componenti riportati alle pagine 93, 94 e 95.

* Kit di manutenzione a pagina 88.

usando un cacciavite piccolo a punta piatta, rimuovere l'O-ring interno dal pistone e gettarlo. Quando si rimuovono le guarnizioni, prestare attenzione a non danneggiare la superficie del pistone.

- Se il premistoppa con guarnizione anteriore **15** è ancora trattenuto nel corpo **2**. Posizionare il corpo della rivettatrice con il nasello rivolto verso l'alto su un banco, quindi spingere il premistoppa con guarnizione anteriore dalla parte anteriore fino a liberarlo dall'incavo all'interno del corpo dell'utensile. Il premistoppa con guarnizione anteriore può quindi essere rimosso dall'estremità posteriore del corpo. Nel compiere questa operazione non danneggiare il foro all'interno del corpo.
- Utilizzando un piccolo cacciavite a punta piatta, rimuovere l'o-ring **23** e l'anello ausiliario a spirale **34** dalla scanalatura esterna sul premistoppa con guarnizione anteriore **15** e gettarli. Quando si rimuovono le guarnizioni, prestare attenzione a non danneggiare la superficie del premistoppa con guarnizione anteriore con il cacciavite.
- Rimuovere la guarnizione dell'asta **25** e il raschiaolio **22** dalle scanalature interne sul premistoppa della guarnizione anteriore **15** e gettarli via. Quando si rimuovono le guarnizioni, prestare attenzione a non danneggiare la superficie del premistoppa con guarnizione anteriore con il cacciavite.
- Rimuovere l'anello del cuscinetto anteriore **24** e verificare che il componente non sia usurato o danneggiato. Gettarlo, se necessario.
- Utilizzando un piccolo cacciavite a punta piatta, rimuovere l'o-ring **21** dal corpo **2** e gettarlo.
- Rimuovere il *raccordo a innesto rapido femmina dal raccordo a innesto rapido maschio 10 sul tubo flessibile idraulico di trazione **19**.
- Non rimuovere la vite di fermo **42** dal corpo **2**.

Assemblare in ordine inverso, tenendo presente i seguenti punti:

- Pulire tutti i componenti prima dell'assemblaggio.
- Per facilitare il montaggio delle guarnizioni, applicare un leggero strato di grasso Molykote® 111 su tutte le guarnizioni, le scanalature delle guarnizioni, anelli ausiliari e attrezzi di assemblaggio.
- Far scorrere l'o-ring **23** sopra il premistoppa con guarnizione anteriore **15** e nella scanalatura esterna. Inserire l'anello ausiliario a spirale **34** nella stessa scanalatura, davanti all'o-ring installato. Fare riferimento al disegno generale e all'elenco delle parti per il corretto orientamento dell'o-ring e dell'anello ausiliario a spirale.
- Premere l'anello del cuscinetto anteriore **24** nella cavità interna all'interno del premistoppa con guarnizione anteriore **15**, quindi installare la guarnizione dell'asta **25** dietro l'anello del cuscinetto anteriore. Inserire il raschiaolio **22** nella cavità anteriore del premistoppa con guarnizione anteriore. Fare riferimento a Disegno generale per garantire il corretto orientamento della guarnizione dell'asta e del raschiaolio.
- Lubrificare con grasso Molykote® 111 la superficie e il bordo anteriore del foro del corpo **2** in cui deve essere installato il premistoppa con guarnizione anteriore **15**.
- Lubrificare il piedino dell'*asta di guida del premistoppa con guarnizione anteriore, quindi posizionare il premistoppa con guarnizione anteriore **15** e la guarnizione dell'asta **25** completamente sul piedino, inserendo l'estremità per prima. Inserire * l'asta guida del premistoppa con guarnizione anteriore nella parte posteriore del corpo **2**, quindi spingere completamente il premistoppa con guarnizione anteriore nel foro all'interno del corpo. Per inserire il premistoppa con guarnizione anteriore nel corpo è necessario esercitare una forza adeguata, pertanto potrebbe essere necessario utilizzare una pressa o una morsa. Rimuovere l'*asta guida del premistoppa con guarnizione anteriore assicurandosi che il premistoppa con guarnizione anteriore rimanga in posizione.
- Lubrificare la scanalatura della guarnizione e il diametro esterno maggiore del pistone **1** con grasso Molykote® 111. Fare scorrere la guarnizione del pistone **26** sulla parte anteriore del diametro maggiore del pistone e nella scanalatura della guarnizione.
- Avvitare la *capsula pistone anteriore **1**. Posizionare il *manicotto di guarnizione del pistone sopra l'albero del pistone e quindi posizionare l'anello di tenuta esterno dalla guarnizione del pistone **26** sopra il *manicotto di guarnizione del pistone in modo che poggi sul diametro conico. Lubrificare la superficie del manicotto di guida del pistone con grasso Molykote® 111.
- Posizionare lo *stantuffo della guarnizione del pistone sull'albero del pistone **1** e il *manicotto della guarnizione del pistone in modo che l'estremità aperta dello *stantuffo di guarnizione del pistone resti appoggiata sull'anello di tenuta esterno della guarnizione del pistone **26**. Utilizzando lo *stantuffo di guarnizione del pistone, spingere l'anello di tenuta esterno sul *manicotto di guarnizione del pistone e nella scanalatura della guarnizione del pistone. Per espandere e inserire l'anello di tenuta esterno sul pistone è necessario esercitare una forza adeguata, pertanto potrebbe essere necessario utilizzare una pressa o una morsa.

Tutti i numeri in **grassetto** si riferiscono al Disegno esploso e all'Elenco dei componenti riportati alle pagine 93, 94 e 95.

* Kit di manutenzione a pagina 88.

- Rimuovere lo *stantuffo di guarnizione del pistone e il *manicotto di guarnizione del pistone dal pistone **1**. Lubrificare la *pallina pistone - anteriore, l'albero del pistone e la guarnizione del pistone **26** con grasso Molykote® 111.
- Avvitare il *manicotto di guida del pistone nella parte posteriore del corpo **2**. Lubrificare i fori del corpo e del *manicotto di guida del pistone con grasso Molykote® 111.
- Collegare il *raccordo a innesto rapido femmina al raccordo a innesto rapido maschio **10** sul tubo flessibile idraulico di trazione **19**. Ciò permetterà la fuoriuscita dell'aria dal circuito di trazione del pistone **1** durante l'inserimento del pistone.
- Inserire il pistone **1** assemblato nella parte posteriore del corpo **2** e attraverso il premistoppa con guarnizione anteriore assemblato **15**. Spingere il pistone nella posizione completamente in avanti fino a quando si arresta contro il premistoppa con guarnizione anteriore. L'olio idraulico sarà espulso dal tubo flessibile idraulico di trazione **19**. Per inserire il pistone nel corpo è necessario esercitare una forza adeguata, pertanto potrebbe essere necessario utilizzare una pressa o una morsa.
- Rimuovere il *raccordo a innesto rapido femmina dal raccordo a innesto rapido maschio **10** sul tubo flessibile idraulico di trazione **19**. Rimuovere il *manicotto di guida del pistone dalla parte posteriore del corpo **2**.
- Far scorrere l'o-ring **30** sopra il fondello **17** e nella scanalatura esterna. Inserire l'anello ausiliare a spirale **36** nella stessa scanalatura, dietro all'o-ring installato. Fare riferimento al disegno generale e all'elenco delle parti per il corretto orientamento dell'o-ring e dell'anello ausiliare a spirale.
- Premere l'anello del cuscinetto posteriore **29** nella cavità interna all'interno del premistoppa con guarnizione posteriore **16**, quindi installare la guarnizione dell'asta **28** dietro l'anello del cuscinetto posteriore. Inserire il raschiaolio **31** nella cavità posteriore del premistoppa con guarnizione posteriore. Fare riferimento a Disegno generale per garantire il corretto orientamento della guarnizione dell'asta e del raschiaolio.
- Bloccare l'impugnatura della rivettatrice in una morsa con ganasce morbide in modo che l'utensile sia rivolto verso il basso.
- Lubrificare con grasso Molykote® 111 la superficie e il bordo anteriore del foro del corpo **2** in cui deve essere installato il premistoppa con guarnizione posteriore **16**.
- Riempire la parte posteriore del corpo **2** con olio idraulico Enerpac® HF. Il livello dell'olio deve essere appena sopra il foro di ingresso posteriore nel corpo.
- Collegare il *raccordo a innesto rapido maschio al raccordo a innesto rapido femmina **11** sul tubo flessibile idraulico di ritorno **18**. Ciò permetterà la fuoriuscita dell'aria dal circuito di ritorno **1** del pistone durante l'inserimento del fondello **17**.
- Lubrificare sia la filettatura interna nel corpo **2** che la filettatura esterna sul filetto **17** con grasso al litio-molibdeno.
- Inserire il fondello **17** nella parte posteriore del corpo **2**, prestando attenzione a non danneggiare l'o-ring **30** e l'anello ausiliare spirale **36** sui filetti del corpo. Avvitare completamente il fondello **17** nella parte posteriore del corpo utilizzando il *il gruppo di attrezzi per fondello. Nel fare questo una piccola quantità di olio sarà espulsa dal tubo flessibile idraulico di ritorno **18**.
- Rimuovere il *raccordo a innesto rapido maschio dal raccordo a innesto rapido femmina **11** sul tubo flessibile idraulico di ritorno **18**.
- Avvitare l'adattatore per pinza **40** sul pistone **1** fino a quando la faccia anteriore è a filo con l'estremità del pistone. Allineare il foro nell'adattatore per pinza con la fessura all'estremità del pistone, quindi inserire il perno di bloccaggio **41**.
- Caricare di olio l'utensile di installazione come descritto nella sezione "Preparazione per l'uso" a pagina 86.

Assemblaggio del tubo flessibile

- Rimuovere le due viti **9** dal morsetto fermatubo del tubo flessibile **13** usando una chiave a brugola da 3,0 mm. Rimuovere il morsetto fermatubo del tubo flessibile e l'inserito del morsetto **20** dal manicotto di protezione **37** e dai tubi flessibili idraulici di ritorno **18** e trazione **19**.
- Utilizzando il piccolo cacciavite a punta piatta, fare leva sul coperchio flessibile in gomma dell'impugnatura **8** per rimuoverlo dal corpo **2**. Tirare il coperchio flessibile in gomma dell'impugnatura sopra il manicotto protettivo **37** e i tubi flessibili idraulici di ritorno **18** e trazione **19** e rimuoverli.
- Tagliare la fascetta fermacavo **35** e far scorrere indietro il manicotto di protezione **37** per esporre i raccordi sui tubi flessibili idraulici **18** e **19**. I tubi flessibili idraulici possono essere rimossi dal corpo **2** utilizzando chiavi da 12 mm e 14 mm.
- I raccordi a innesto rapido maschio **10** e femmina **11** possono essere rimossi dai tubi flessibili idraulici **18** e **19** utilizzando chiavi da 18 mm e 24 mm.
- Per rimuovere il grilletto di azionamento **7** allentare prima il pressacavo **38**, dimodoché il cavo di controllo **14** sia libero di muoversi all'interno del corpo **2**. A questo punto, svitare la vite di regolazione M4 **12** con una chiave a brugola da 2,0 mm.

Tutti i numeri in **grassetto** si riferiscono al Disegno esploso e all'Elenco dei componenti riportati alle pagine 93, 94 e 95.

* Kit di manutenzione a pagina 88.

- Spingere il cavo di controllo **14** nel corpo **2** e contemporaneamente estrarre il grilletto di azionamento **7** dal corpo in modo da scoprire i giunti di saldatura sui terminali del grilletto. Dissaldare i terminali per rimuovere il grilletto di azionamento e l'inserto del grilletto **39**. L'inserto del grilletto è unito al grilletto di azionamento e non può essere rimosso.
- A questo punto è possibile estrarre il cavo di controllo **14** dal corpo Body **2** e rimuoverlo dal manicotto di protezione **37**.

Assemblare in ordine inverso, tenendo presente i seguenti punti:

- Prima dell'assemblaggio pulire tutte le filettature dei raccordi a innesto rapido maschio **10** e femmina **11** e i tubi flessibili idraulici di ritorno **18** e trazione **19**, quindi applicare due-tre strati di nastro in PTFE da 10 mm sui filetti maschi di entrambi i tubi flessibili idraulici.
- Quando si sostituisce il grilletto di azionamento **7** applicare *Loctite® 243 alla filettatura maschio del grilletto prima di assemblare l'inserto del grilletto **39**.
- Applicare *Loctite® 243 sulla vite di regolazione M4 **12** prima dell'assemblaggio.
- Una volta assemblato l'utensile di installazione, caricarlo seguendo le istruzioni riportate a pagina 86.

5.8 PROTEZIONE DELL'AMBIENTE

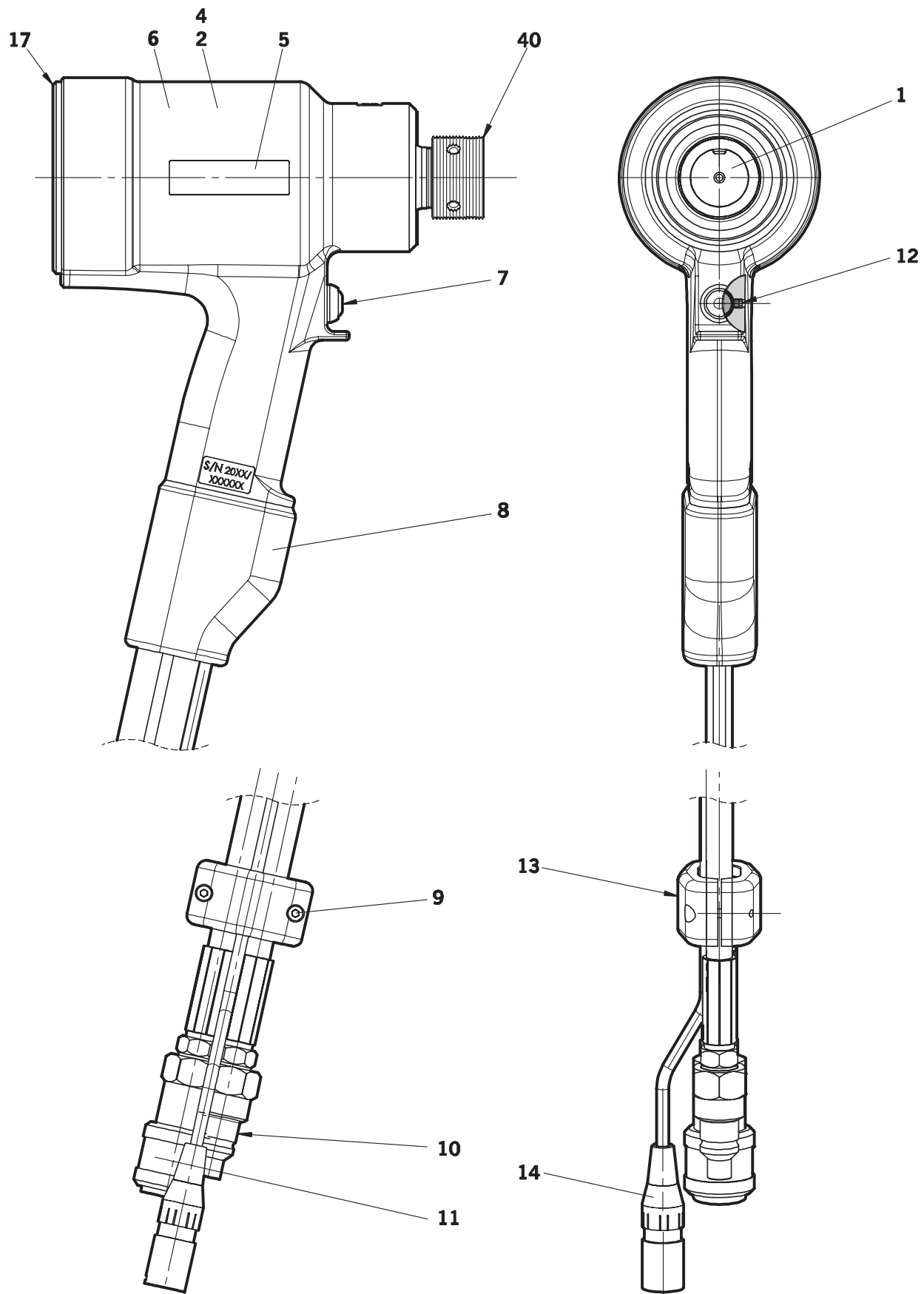
- Assicurare la conformità alle normative applicabili sullo smaltimento. Smaltire tutto il materiale di scarto presso una struttura o un sito autorizzati, in modo da non esporre il personale e l'ambiente a rischi.

Tutti i numeri in **grassetto** si riferiscono al Disegno esplosivo e all'Elenco dei componenti riportati alle pagine 93, 94 e 95.

* Kit di manutenzione a pagina 88.

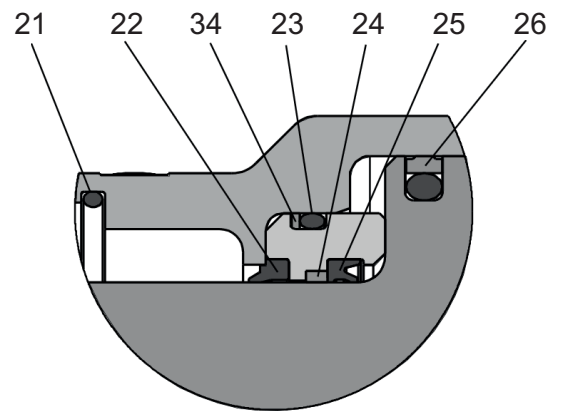
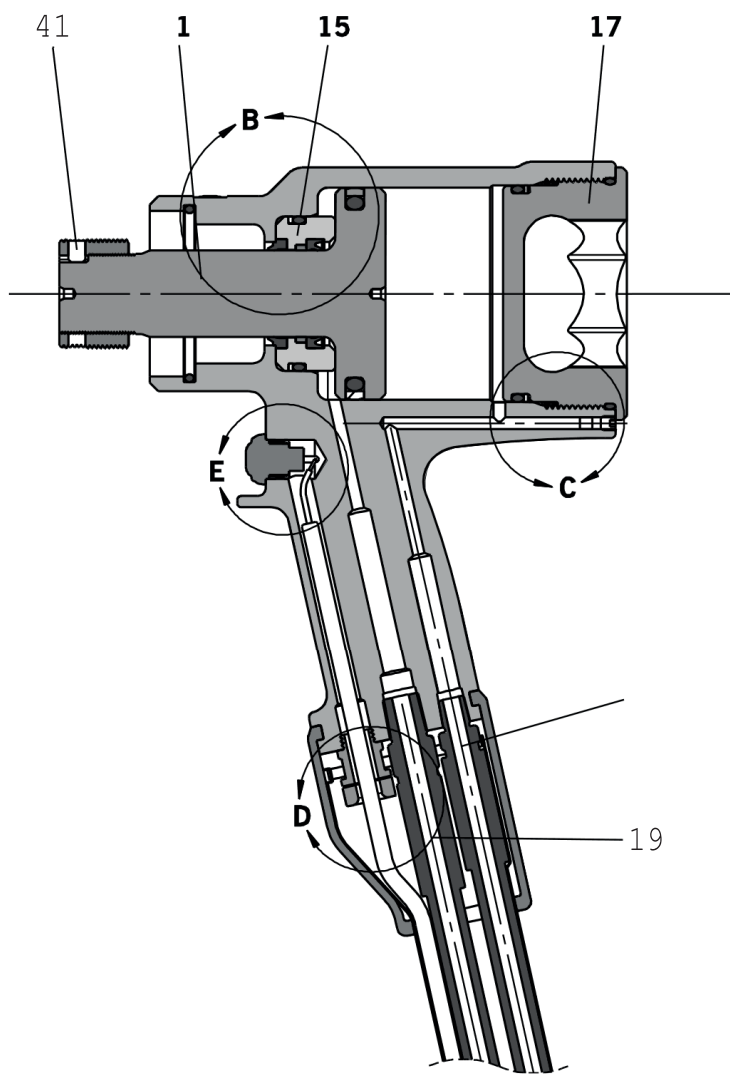
6. DISEGNO ESPLOSO ED ELENCO DEI COMPONENTI

6.1 DISEGNO ESPLOSO

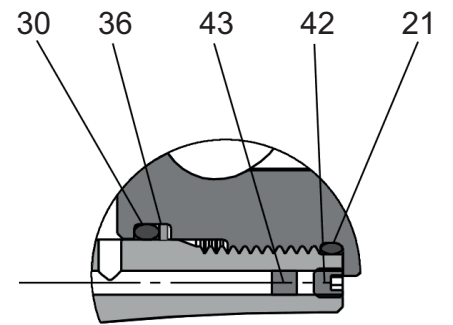


ITEM 37 PROTECTIVE SLEEVE
REMOVED FOR CLARITY

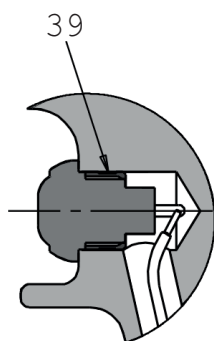
ITEM 37 PROTECTIVE SLEEVE
REMOVED FOR CLARITY



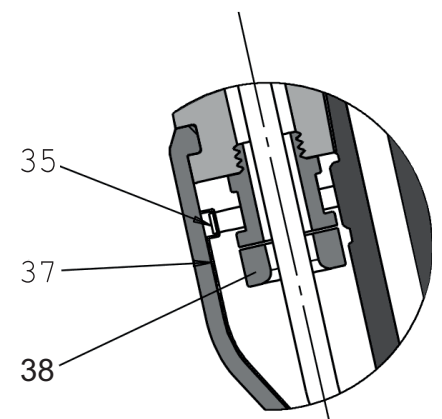
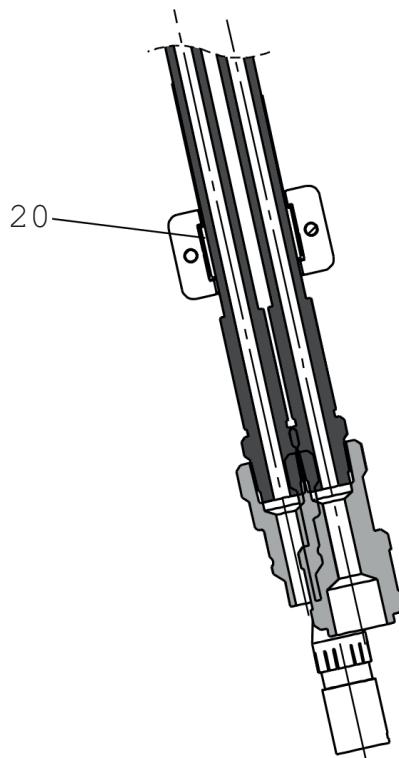
DETAIL B



DETAIL C



DETAIL E



DETAIL D

6.2 ELENCO DEI COMPONENTI

73432-02000		Elenco dei componenti	
POSIZIONE	CODICE PEZZO	DESCRIZIONE	Q.TÀ
1	73434-02003	PISTONE	1
2	73434-02001	CORPO	1
3			
4	73425-02016	ETICHETTA DI SICUREZZA	1
5	73434-02026	ETICHETTA AV30	2
6	07007-01504	ETICHETTA CON MARCHIO CE E UKCA	1
7	07007-02103	GRILLETTO DI AZIONAMENTO	1
8	73430-02020	COPERCHIO FLESSIBILE IN GOMMA IMPUGNATURA	1
9	07001-00686	VITE CON TESTA A ESAGONO CAVO M4 X 16	2
10	07005-10118	RACCORDO A INNESTO – MASCHIO	1
11	07005-10120	RACCORDO A INNESTO RAPIDO - FEMMINA	1
12	07001-00479	VITE SENZA TESTA M4 X 4	1
13	73430-02023	MORSETTO FERMATUBO	1
14	07007-02105	CAVO DI CONTROLLO	1
15	73434-02004	PREMISTOPPA CON GUARNIZIONE ANTERIORE	1
16			
17	73434-02005	FONDELLO	1
18	07005-10119	TUBO IDRAULICO - RITORNO	1
19	07005-10117	TUBO IDRAULICO - TRAZIONE	1
20	73430-02024	INSERTO A MORSETTO	1
21	07003-00463	O-RING	2
22	07003-00452	RASCHIAOLIO	1
23	07003-00461	O-RING	1
24	73434-02009	ANELLO DEL CUSCINETTO ANTERIORE	1
25	07003-00451	GUARNIZIONE ASTA	1
26	07003-00453	GUARNIZIONE PISTONE	1
27			
28			
29			
30	07003-00464	O-RING	1
31			
32			
33			
34	07003-00494	ANELLO DI SPALLAMENTO A SPIRALE	1
35	07007-02032	FASCETTA FERMACAVO	1
36	07003-00496	ANELLO DI SPALLAMENTO A SPIRALE	1
37	07005-10121	MANICOTTO DI PROTEZIONE	0,6 m
38	07007-02104	PRESSACAVO	1
39	73430-02008	INSERTO DEL GRILLETTO	1
40	73434-02012	ADATTATORE PER PINZA	1
41	73434-02013	PERNO DI BLOCCAGGIO	1
42	07001-00481	VITE SENZA TESTA M5 X 5	1
-	07900-01022	MANUALE D'ISTRUZIONI DELL'UTENSILE AV30	1

7. DATI DI SICUREZZA

7.1 OLIO IDRAULICO ENERPACE® HF - DATI DI SICUREZZA

PRONTO SOCCORSO

CUTE

Causa raramente danni alla cute in caso di contatto breve ed episodico, ma l'esposizione prolungata può provocare una dermatite. Lavare la cute a fondo con acqua e sapone appena possibile. Rimuovere gli indumenti pesantemente contaminati e lavare la cute sottostante.

CAVO ORALE

Causa raramente danni, se deglutito accidentalmente in piccole dosi, ma dosi massicce possono provocare nausea e diarrea. In caso di contaminazione della bocca sciacquarsela con abbondante acqua. Sempre che il prodotto non sia ingerito intenzionalmente, l'ingestione di grandi quantità è improbabile. Se ciò dovesse avvenire, non indurre il vomito e consultare un medico. Portare la persona al centro medico più vicino.

CONTATTO CON GLI OCCHI

In caso di contatto accidentale con gli occhi causa raramente sintomi più gravi di bruciore o arrossamento passeggeri. Lavare gli occhi a fondo con abbondanti quantità d'acqua, assicurandosi che le palpebre siano tenute aperte. Consultare un medico in caso di dolore o rossore persistente e in aumento.

RICHIESTA DEL PARERE DI UN MEDICO:

La terapia dovrebbe essere in generale di tipo sintomatico e diretta ad alleviare gli eventuali effetti.

Nota: Applicazioni ad alta pressione:

Eventuali penetrazioni di prodotto sotto la cute, derivanti dal contatto con il prodotto ad alta pressione, costituiscono una grave emergenza medica. Le lesioni inizialmente potrebbero non sembrare gravi, ma entro poche ore il tessuto si gonfia, perde colore ed è estremamente doloroso, con un'estesa necrosi sottocutanea.

È necessario intraprendere senza indugio un'explorazione chirurgica. Uno scrupoloso ed esteso sbrigliamento (debridement) della ferita e del tessuto sottostante è necessario per ridurre al minimo la perdita di tessuto e prevenire o limitare danni permanenti. Si noti che l'alta pressione può spingere il prodotto molto lontano lungo i piani dei tessuti.

SMALTIMENTO

Eliminare eventuali sversamenti con materiale assorbente inerte. Ventilare l'area in cui si è verificato lo sversamento. Posizionare i materiali contaminati in un contenitore di rifiuto e smaltire in conformità con le norme in vigore in loco.

INCENDIO

PUNTO DI INFIAMMABILITÀ 200 °C.

Spegnere un eventuale incendio con polveri, estinguenti chimici, schiumogeni o anidride carbonica. Non accedere in spazi confinati senza indossare un autorespiratore.

MOVIMENTAZIONE

Applicare sulle mani una crema dermoprotettiva oppure indossare guanti resistenti all'olio.

CONSERVAZIONE

Al coperto e in conformità con le norme vigenti a livello locale per il materiale infiammabile.

7.2 DATI DI SICUREZZA RELATIVI AL GRASSO AL LITIO-MOLIBDENO EP 3753

Il grasso può essere ordinato come articolo singolo. Il codice pezzo è indicato nel Kit di manutenzione a pagina 88.

PRONTO SOCCORSO

CUTE

Poiché il grasso è completamente resistente all'acqua, il miglior metodo di rimozione è un detergente ad emulsione approvato per la cute.

INGESTIONE

Somministrare all'individuo 30 ml di latte al magnesio, preferibilmente in un bicchiere di latte.

CONTATTO CON GLI OCCHI

Irritante, ma non dannoso. Irrigare con acqua e consultare un medico.

INCENDIO

PUNTO DI INFIAMMABILITÀ Oltre 220 °C.

Non classificato come infiammabile.

Sostanze adatte per lo spegnimento in caso di incendio: CO₂, alon o acqua nebulizzata, se applicato da un operatore con esperienza.

AMBIENTE

Raccogliere il materiale per l'incenerimento o lo smaltimento in un sito autorizzato.

MOVIMENTAZIONE

Utilizzare una crema dermoprotettiva o guanti resistenti all'olio.

CONSERVAZIONE

Tenere lontano da calore o da agenti ossidanti.

7.3 DATI DI SICUREZZA RELATIVI AL GRASSO MOLYKOTE® 111

Il grasso può essere ordinato come articolo singolo. Il codice pezzo è indicato nel Kit di manutenzione a pagina 88.

PRONTO SOCCORSO**CUTE**

Non dovrebbe essere necessario ricorrere alle cure di Pronto soccorso.

INGESTIONE

Non dovrebbe essere necessario ricorrere alle cure di Pronto soccorso.

CONTATTO CON GLI OCCHI

Non dovrebbe essere necessario ricorrere alle cure di Pronto soccorso.

INALAZIONE

Non dovrebbe essere necessario ricorrere alle cure di Pronto soccorso.

INCENDIO

PUNTO DI INFIAMMABILITÀ Oltre 101,1°C. (bicchiere chiuso)

Proprietà esplosive: no

Sostanze adatte per l'estinzione: schiuma di diossido di carbone, polvere secca o spray di acqua fine. L'acqua può essere utilizzata per raffreddare i recipienti esposti alle fiamme.

AMBIENTE

Non sono previsti effetti nocivi.

MOVIMENTAZIONE

Si raccomanda la ventilazione generale. Evitare il contatto con gli occhi.

CONSERVAZIONE

Non conservare con agenti ossidanti. Mantenere il recipiente chiuso e tenerlo lontano da acqua e umidità.

8. RISOLUZIONE DEI PROBLEMI

PROBLEMA	POSSIBILE CAUSA	SOLUZIONE	RIF. PAGINA
L'utensile di installazione non funziona	Gruppo pompa non operativo	Controllare l'alimentazione elettrica della pompa e consultare il relativo manuale di istruzioni	
	Raccordi a innesto rapido 10 e 11 difettosi	Sostituire i raccordi a innesto rapido	92
	Cavo di controllo del grilletto di azionamento 14 non collegato correttamente	Verificare che il cavo di controllo sia collegato correttamente alla pompa e alla rivettatrice	86
Il grilletto di azionamento 7 non funziona	Grilletto di azionamento 7 o cavo di controllo 14 danneggiato	Sostituire il grilletto di azionamento e/o il cavo di controllo	92
	Pompa in modalità locale	Consultare il manuale di istruzioni della pompa	
La pompa funziona, ma la rivettatrice no	Grilletto di azionamento 7 , cavo di controllo 14 o connettore danneggiato	Sostituire il grilletto di azionamento e/o il cavo di controllo	92
	Tubi flessibili idraulici non collegati	Verificare che i collegamenti alla pompa e all'utensile di installazione siano corretti	86
	Basso livello dell'olio	Accertarsi che la rivettatrice sia piena di olio e correttamente caricata Consultare il manuale di istruzioni della pompa	86
	Perdita di olio all'esterno dell'utensile di installazione	Ispezionare l'utensile di installazione e sostituire i componenti usurati o danneggiati	89 - 92
	Perdita di olio all'esterno del gruppo tubi flessibili	Ispezionare il gruppo tubi flessibili: assicurarsi che le connessioni dei tubi flessibili siano ben salde e/o sostituire i connettori danneggiati	92
L'utensile di installazione funziona in modo irregolare	Perdita d'olio all'interno/esterno della pompa	Consultare il manuale di istruzioni della pompa	
	Pressione dell'olio idraulico bassa o irregolare	Consultare il manuale di istruzioni della pompa	
	Guarnizioni idrauliche dell'utensile di installazione usurate o danneggiate	Ispezionare l'utensile di installazione e sostituire le guarnizioni usurate o danneggiate	89 - 92
	Superfici di tenuta idrauliche dell'utensile di installazione usurate o danneggiate	Ispezionare l'utensile di installazione e sostituire i componenti usurati o danneggiati	89 - 92
La pompa eroga la pressione massima, ma il gambo del rivetto non si spezza	Perdita d'olio all'interno/esterno della pompa	Consultare il manuale di istruzioni della pompa	
	Carico di rottura superiore alla capacità massima dell'utensile di installazione	Fare riferimento alle specifiche tecniche dell'utensile di installazione	83
	Flusso in direzione dell'utensile di installazione bloccato	Controllare che i raccordi a innesto rapido 10 e 11 siano innestati completamente	86
	Regolazione della valvola di massima pressione della pompa a un valore troppo basso	Regolare le impostazioni della valvola di massima pressione. Consultare il manuale di istruzioni della pompa	
	Scanalature di trazione sul gambo del rivetto danneggiate	Vedere il problema a pagina 99	87
	Funzionamento improprio dell'utensile di installazione		87

PROBLEMA	POSSIBILE CAUSA	SOLUZIONE	RIF. PAGINA
Il pistone 1 non ritorna	Flusso di ritorno limitato o bloccato	Controllare che i raccordi a innesto rapido 10 e 11 siano innestati completamente e/o che non siano danneggiati	86
	Tubi flessibili idraulici non collegati	Verificare che i collegamenti alla pompa e all'utensile di installazione siano corretti	86
	Malfunzionamento della valvola della pompa	Consultare il manuale di istruzioni della pompa	
L'utensile di installazione non espelle il collare dalla battuta	Impostazione del timer di ritorno pompa non corretta: valore impostato troppo basso	Regolare il timer di ritorno all'impostazione raccomandata – Fare riferimento al manuale di istruzioni della pompa	
	Valvola di massima pressione di ritorno della pompa regolata a un valore troppo basso	Regolare la valvola di massima pressione alla corretta impostazione – Fare riferimento al manuale di istruzioni della pompa	
	Pressione dell'olio idraulico bassa o irregolare	Consultare il manuale di istruzioni della pompa	
	Guarnizioni idrauliche dell'utensile di installazione usurate o danneggiate	Ispezionare l'utensile di installazione e sostituire le guarnizioni usurate o danneggiate	89 - 92
	Superfici di tenuta idrauliche dell'utensile di installazione usurate o danneggiate	Ispezionare l'utensile di installazione e sostituire i componenti usurati o danneggiati	89 - 92
	Perdita d'olio all'interno/esterno della pompa	Consultare il manuale di istruzioni della pompa	
	L'operatore non spinge il nasello completamente sul gambo del rivetto prima di azionare l'utensile di installazione	Istruire l'operatore sul metodo di installazione corretto	87
Scanalature di trazione sul gambo del rivetto danneggiate durante l'installazione	Lunghezza del dispositivo di fissaggio/lunghezza di presa scorretta	Usare il dispositivo di fissaggio corretto	87
	Segmenti delle ganasce usurati o danneggiati	Controllare e sostituire il set di ganasce - Consultare la scheda tecnica della testata	
	Presenza di detriti nelle sezioni delle ganasce e/o nelle scanalature del gambo	Pulire le sezioni delle ganasce - Consultare la scheda tecnica della testata	
Collare di Avdelok® o Avbolt® non completamente incastrato Il gambo non riesce a liberarsi dalla testata	Distanza eccessiva tra le lamiere	Ridurre il gioco tra le lamiere	87
	Funzionamento improprio dell'utensile di installazione		87
	Battuta usurata	Controllare e sostituire la battuta - Consultare la scheda tecnica della testata	
L'utensile di installazione e l'olio idraulico sono caldi	Assemblaggio errato della testata	Consultare la scheda tecnica del gruppo di testa	
	Restrizione nella tubazione idraulica	Controllare i raccordi a innesto rapido idraulici 10 e 11 e sostituirli, se necessario	92
	Temperatura ambientale elevata		
Perdite di olio dai raccordi a innesto rapido idraulici 10 e 11	O-ring usurato nel corpo del raccordo a innesto rapido maschio 10	Sostituire l'o-ring e l'anello di sicurezza nel raccordo a innesto rapido 10	92

Tutti i numeri in **grassetto** si riferiscono al Disegno esplosivo e all'Elenco dei componenti riportati alle pagine 93, 94 e 95.

* Kit di manutenzione a pagina 88.

9. DICHIARAZIONE DI CONFORMITÀ CE

STANLEY Engineered Fastening, Stanley House, Works Road, Letchworth Garden City, Hertfordshire, SG6 1JY REGNO UNITO dichiara, sotto la sua unica responsabilità che il prodotto:

Descrizione: UTENSILE DI INSTALLAZIONE ELETTRIDRAULICO AV30

Modello: UTENSILE STRUTTURALE AV30 – 73434-02000

al quale si riferisce la presente dichiarazione è conforme alle seguenti norme:

ISO 12100:2010	EN ISO 3744:2010
EN ISO 11202:2010	EN ISO 11148-1:2011
EN ISO 4413:2010	EN ISO 20643:2008+A1:2012
EN ISO 4414:2010	ES100118-rev 17:2017
EN ISO 28927-5:2009+A1:2015	

La documentazione tecnica è compilata in base all'Allegato 1, sezione 1.7.4.1, ai sensi della Direttiva seguente: **Direttiva macchine 2006/42/CE** (la legislazione britannica corrispondente si basa sulle Supply of Machinery (Safety) Regulations, Statutory Instruments 2008 n.1597 [Norme di sicurezza riguardanti la fornitura di macchinari in vigore nel Regno Unito]).

Il firmatario rende questa dichiarazione per conto di STANLEY Engineered Fastening



A. K. Seewraj

Direttore tecnico, Regno Unito

Avdel UK Limited, Stanley House, Works Road, Letchworth Garden City, Hertfordshire, SG6 1JY REGNO UNITO

Luogo di pubblicazione: Letchworth Garden City, Regno Unito

Data di pubblicazione: 12-12-2011

Il firmatario è responsabile della compilazione della documentazione tecnica per i prodotti venduti nell'Unione europea e rilascia la presente dichiarazione per conto di Stanley Engineered Fastening.

Matthias Appel

Responsabile team di compilazione documentazione tecnica

Stanley Engineered Fastening, Tucker GmbH, Max-Eyth-Str.1, 35394 Gießen, Germania



Questo prodotto è conforme alla
Direttiva Macchine 2006/42/CE

10. DICHIARAZIONE DI CONFORMITÀ PER IL REGNO UNITO

STANLEY Engineered Fastening, Stanley House, Works Road, Letchworth Garden City, Hertfordshire, SG6 1JY REGNO UNITO dichiara, sotto la sua unica responsabilità che il prodotto:

Descrizione: UTENSILE DI INSTALLAZIONE ELETTROIDRAULICO AV30

Modello: UTENSILE STRUTTURALE AV30 – 73434-02000

al quale si riferisce la presente dichiarazione è conforme alle seguenti norme:

ISO 12100:2010	EN ISO 3744:2010
EN ISO 11202:2010	EN ISO 11148-1:2011
EN ISO 4413:2010	EN ISO 20643:2008+A1:2012
EN ISO 4414:2010	ES100118-rev 17:2017
EN ISO 28927-5:2009+A1:2015	

La documentazione tecnica è compilata in base alle Supply of Machinery (Safety) Regulations 2008, S.I. 2008/1597 (e successive modifiche).

Il firmatario rende questa dichiarazione per conto di STANLEY Engineered Fastening



A. K. Seewraj

Direttore tecnico, Regno Unito

Avdel UK Limited, Stanley House, Works Road, Letchworth Garden City, Hertfordshire, SG6 1JY REGNO UNITO

Luogo di pubblicazione: Letchworth Garden City, Regno Unito

Data di pubblicazione: 12-12-2011



Questo prodotto è conforme alla
Supply of Machinery (Safety) Regulations 2008,
S.I. 2008/1597, (e successive modifiche)

11. PROTEGGETE IL VOSTRO INVESTIMENTO!

GARANZIA DELL'UTENSILE DI INSTALLAZIONE PER ELEMENTI DI FISSAGGIO A STRAPPO Stanley® Engineered Fastening

STANLEY® Engineered Fastening garantisce che tutti gli elettroutensili sono stati fabbricati accuratamente e, in condizioni di utilizzo e manutenzione normali, saranno esenti da difetti materiali e di fabbricazione per un periodo di un (1) anno.

La presente garanzia si applica al primo acquirente dell'utensile che lo utilizzi esclusivamente per lo scopo previsto.

Esclusioni:

Usura normale

Gli interventi di manutenzione periodica, la riparazione o la sostituzione di parti richiesti per via della normale usura non sono coperti dalla presente garanzia.

Abuso e utilizzo improprio

Eventuali difetti o danni causati da impiego e conservazione impropri, utilizzo scorretto o abuso dell'attrezzo, accidentali o frutto di negligenza, quali i danni materiali, non sono coperti dalla presente garanzia.

Assistenza o modifica non autorizzata

Eventuali difetti o danni causati da interventi di assistenza, regolazione di prova, installazione o manutenzione, e alterazioni o modifiche di qualsiasi genere apportati da persone diverse dal personale STANLEY® Engineered Fastening o dai tecnici dei nostri centri di assistenza non sono coperti dalla presente garanzia.

Tutte le altre garanzie, espresse o implicite, inclusa qualsiasi garanzia di commerciabilità o idoneità a un particolare scopo, sono escluse.

Qualora questo utensile non soddisfi i requisiti sanciti dalla presente garanzia, restituirlo immediatamente al nostro centro di assistenza autorizzato più vicino. Per ricevere un elenco dei Centri di Assistenza STANLEY® Engineered Fastening autorizzati negli Stati Uniti o in Canada, chiamare il nostro numero verde (877)364 2781.

Al di fuori degli Stati Uniti e del Canada, visitare il nostro sito web www.StanleyEngineeredFastening.com per trovare il centro STANLEY Engineered Fastening più vicino.

STANLEY Engineered Fastening provvederà a sostituire, senza alcun costo, la parte o le parti da noi individuate come difettose a causa di difetti del materiale o di fabbricazione e restituirà l'utensile prepagato. Questo costituisce l'unico obbligo da parte nostra ai sensi della presente garanzia.

In nessun caso STANLEY Engineered Fastening sarà ritenuta responsabile per eventuali danni consequenziali o speciali derivanti dall'acquisto o dall'uso di questo attrezzo.

Registrate online la vostra Tirainseriti oleopneumatica per inserti filettati ciechi.

Per registrare la garanzia online, visitare la pagina web

<https://www.stanleyengineeredfastening.com/support/warranty-registration-form>

Grazie per aver scelto un utensile a marchio Stanley Assembly Technologies di STANLEY® Engineered Fastening.

©2019 STANLEY Black & Decker Wszelkie prawa zastrzeżone.

Przedstawionych tutaj informacji nie wolno reprodukować ani upubliczniać w żaden sposób i żadnymi środkami (elektronicznymi lub mechanicznymi) bez uprzedniej wyraźnej pisemnej zgody STANLEY Engineered Fastening. Przedstawione informacje są oparte o dane znane w momencie wprowadzenia produktu. STANLEY Engineered Fastening stosuje politykę ciągłego doskonalenia produktów, dlatego produkty mogą podlegać zmianie. Informacje przedstawione w niniejszym dokumencie dotyczą produktu dostarczonego przez STANLEY Engineered Fastening. Z tej przyczyny firma STANLEY Engineered Fastening nie ponosi odpowiedzialności za żadne szkody wynikające z modyfikacji oryginalnych danych technicznych produktu.

Dołożono wszelkich starań, aby informacje zawarte w niniejszym dokumencie były odpowiednie. Mimo tego, STANLEY Engineered Fastening nie ponosi odpowiedzialności za żadne błędy dotyczące treści ani ich konsekwencje. STANLEY Engineered Fastening nie ponosi odpowiedzialności za szkody spowodowane działaniem osób trzecich. Nazwy robocze, nazwy handlowe, zarejestrowane znaki towarowe itp. stosowane przez STANLEY Engineered Fastening stanowią własność odpowiednich właścicieli zgodnie z prawodawstwem dotyczącym ochrony znaków towarowych.

ZAWARTOŚĆ

1. DEFINICJE DOTYCZĄCE BEZPIECZEŃSTWA	104
1.1 OGÓLNE ZASADY BEZPIECZEŃSTWA	104
1.2 ZAGROŻENIA ZWIĄZANE Z WYRZUCONYMI W POWIETRZE ELEMENTAMI	104
1.3 ZAGROŻENIA ZWIĄZANE Z OBSŁUGĄ.....	105
1.4 ZAGROŻENIA ZWIĄZANE Z POWTARZALNYMI RUCHAMI	105
1.5 ZAGROŻENIA ZWIĄZANE Z AKCESORIAMI	105
1.6 ZAGROŻENIA ZWIĄZANE Z MIEJSCEM PRACY	105
1.7 ZAGROŻENIA ZWIĄZANE Z HAŁASEM	106
1.8 ZAGROŻENIA ZWIĄZANE Z DRGANIAMI	106
1.9 DODATKOWE INSTRUKCJE BEZPIECZEŃSTWA DOTYCZĄCE ELEKTRONARZĘDZI HYDRAULICZNYCH	106
2. DANE TECHNICZNE	107
2.1 PRZEZNACZENIE.....	107
2.2 DANE TECHNICZNE NARZĘDZIA	107
2.3 WYMIARY NARZĘDZIA.....	108
3. ROZPOCZĘCIE EKSPLOATACJI	109
3.1 ZASADA DZIAŁANIA.....	109
3.2 PRZYGOTOWANIE DO UŻYTKU	110
4. INSTRUKCJA OBSŁUGI	111
4.1 W CELU INSTALACJI ELEMENTU ZŁĄCZNEGO AVBOLT®	111
4.2 W CELU INSTALACJI ELEMENTU ZŁĄCZNEGO AVDELOK® XT	111
5. SERWISOWANIE NARZĘDZIA	112
5.1 CODZIENNY SERWIS.....	112
5.2 COTYGODNIOWY SERWIS	112
5.3 SERWIS ROCZNY/CO 150 TYS. OPERACJI	112
5.4 ZESTAW SERWISOWY	112
5.5 NARZĘDZIA SERWISOWE	112
5.6 OLEJ HYDRAULICZNY	112
5.7 INSTRUKCJA DEMONTAŻU	113
5.8 OCHRONA ŚRODOWISKA.....	115
6. OGÓLNY RYSUNEK MONTAŻOWY I LISTA CZĘŚCI	116
6.1 OGÓLNY RYSUNEK MONTAŻOWY.....	116
6.2 LISTA CZĘŚCI	118
7. DANE DOTYCZĄCE BEZPIECZEŃSTWA	119
7.1 KARTA CHARAKTERYSTYKI OLEJU HYDRAULICZNEGO ENERPAC® HF	119
7.2 KARTA CHARAKTERYSTYKI SMARU MOLYLITHIUM EP 3753.....	119
7.3 KARTA CHARAKTERYSTYKI SMARU MOLYKOTE® 111	120
8. DIAGNOSTYKA USTEREK	121
9. DEKLARACJA ZGODNOŚCI WE.....	123
10. DEKLARACJA ZGODNOŚCI DLA WLK. BRYT.	124
11. CHROŃ SWOJĄ INWESTYCJĘ!.....	125



Niniejszą instrukcję muszą przeczytać wszystkie osoby instalujące lub obsługujące to narzędzie, poświęcając szczególną uwagę ostrzeżeniom i instrukcjom dotyczącym bezpieczeństwa.



Podczas użytkowania narzędzia należy zawsze stosować okulary ochronne odporne na uderzenia. Klasa wymaganej ochrony powinna być oceniana niezależnie przy każdym użyciu.



Użytkowanie narzędzia może narazić dłonie operatora na zagrożenia, w tym na zmiążdżenia, uderzenia, przecięcia, obtarcia i poparzenia. Stosować odpowiednie rękawice do ochrony dłoni.



Środki ochrony słuchu należy wykorzystywać zgodnie z instrukcjami pracodawcy oraz zgodnie z przepisami bezpieczeństwa i higieny pracy.

1. DEFINICJE DOTYCZĄCE BEZPIECZEŃSTWA

Podane poniżej definicje określają stopień zagrożenia oznaczony danym słowem. Proszę przeczytać instrukcję i zwracać uwagę na te symbole.



NIEBEZPIECZEŃSTWO: Oznacza natychmiastowo niebezpieczną sytuację, która, jeśli jej się nie uniknie, spowoduje śmierć lub poważne obrażenia ciała.



OSTRZEŻENIE: Oznacza potencjalnie niebezpieczną sytuację, która, jeśli jej się nie uniknie, może spowodować śmierć lub poważne obrażenia ciała.



PRZESTROGA: Oznacza potencjalnie niebezpieczną sytuację, która, jeśli jej się nie uniknie, może spowodować miernego lub średniego stopnia obrażenia ciała.



PRZESTROGA: Stosowana bez symbolu ostrzeżenia oznacza potencjalnie niebezpieczną sytuację, która, jeśli jej się nie uniknie, może spowodować uszkodzenie mienia.

Błędna eksploatacja lub konserwacja tego produktu może powodować poważne obrażenia ciała i uszkodzenie mienia. Należy przeczytać uważnie wszystkie ostrzeżenia i całość instrukcji obsługi przed rozpoczęciem użytkowania narzędzia. Podczas korzystania z elektronarzędzi zawsze powinno się postępować zgodnie z podstawowymi zasadami bezpieczeństwa, aby zmniejszyć ryzyko obrażeń ciała.

ZACHOWAĆ WSZYSTKIE OSTRZEŻENIA I INSTRUKCJE.

1.1 OGÓLNE ZASADY BEZPIECZEŃSTWA

- W przypadku wielu zagrożeń, należy przeczytać i zrozumieć instrukcje dotyczące bezpieczeństwa przed instalacją, obsługą, naprawą, konserwacją, zmianą akcesoriów lub pracą w pobliżu narzędzia. W przeciwnym razie może dojść do poważnych obrażeń ciała.
- Narzędzie mogą instalować, regulować i używać wyłącznie wykwalifikowani i przeszkoleni operatorzy.
- NIE stosować niezgodnie z przeznaczeniem, które polega na mocowaniu nitów zrywalnych STANLEY Engineered Fastening.
- Stosować jedynie części, elementy złączne i akcesoria zalecane przez producenta.
- NIE modyfikować narzędzia. Modyfikacje mogą ograniczyć skuteczność zabezpieczeń i zwiększyć ryzyko dla operatora. Za wszelkie modyfikacje narzędzia wykonane przez klienta odpowiada wyłącznie klient. Wszelkie modyfikacje powodują unieważnienie wszelkich gwarancji.
- Nie wyrzucać instrukcji dotyczących bezpieczeństwa, lecz przekazać je operatorowi.
- Nie używać uszkodzonego narzędzia.
- Przed użyciem sprawdzić części ruchome pod kątem błędnego ustawienia, uszkodzenia części oraz każdego innego nieprawidłowego stanu, który może mieć wpływ na funkcjonowanie narzędzia. Jeśli narzędzie jest uszkodzone, przed ponownym użyciem przekazać je do naprawy. Przed użyciem zdemontować wszelkie klucze regulacyjne.
- Narzędzia należy okresowo sprawdzać, aby sprawdzić, czy symbole i oznaczenia wymagane przez odpowiednią część ISO 11148 są czytelne na narzędziu. Pracodawca/użytkownik musi skontaktować się z producentem w celu uzyskania zamiennych oznaczeń w razie potrzeby.
- Przeszkolony personel musi utrzymywać narzędzie w bezpiecznym stanie technicznym przez cały czas i regularnie sprawdzać je pod kątem uszkodzeń i prawidłowego działania. Demontaż może przeprowadzać jedynie przeszkolony personel. Nie demontować tego narzędzia bez wcześniejszego zapoznania się z instrukcją konserwacji.

1.2 ZAGROŻENIA ZWIĄZANE Z WYRZUCONYMI W POWIETRZE ELEMENTAMI

- Odłączyć pompę hydrauliczną od narzędzia przed rozpoczęciem jakichkolwiek prac konserwacyjnych, prób regulacji, montażu lub demontażu zespołu głowicy przedniej lub akcesoriów.

- Pamiętać, że awaria obrabianego elementu lub akcesoriów, a nawet samego włożonego narzędzia, może spowodować wyrzucenie elementów w powietrze z wysoką prędkością.
- Podczas użytkowania narzędzia należy zawsze stosować okulary ochronne odporne na uderzenia. Klasa wymaganej ochrony powinna być oceniana niezależnie przy każdym użyciu.
- W tym momencie należy ocenić zagrożenia dla innych osób.
- Należy się upewnić, że obrabiany element jest odpowiednio zamocowany.
- Sprawdzić, czy środek ochrony przed wyrzuceniem elementu złącznego i/lub trzpienia jest zamontowany i sprawny.
- Ostrzec przed ewentualnym wyrzuceniem trzpieni z dużą siłą z przodu narzędzia.
- NIE obsługiwać narzędzia skierowanego w stronę osoby (osób).

1.3 ZAGROŻENIA ZWIĄZANE Z OBSŁUGĄ

- Użytkowanie narzędzia może narazić dłonie operatora na zagrożenia, w tym na zmiżdżenia, uderzenia, przecięcia, obtarcia i poparzenia. Stosować odpowiednie rękawice do ochrony dłoni.
- Operatorzy oraz personel dokonujący konserwacji muszą być zdolni fizycznie do obsługi wielkości, ciężaru i mocy narzędzia.
- Narzędzie należy trzymać prawidłowo; należy być gotowym na reagowanie na normalne lub nagłe ruchy — obie ręce muszą być w gotowości.
- Utrzymywać uchwyty narzędzia w stanie suchym, czystym i wolnym od oleju i smaru.
- Należy zachować równowagę ciała i stać stabilnie podczas obsługi narzędzia.
- Zwolnić urządzenie zatrzymujące i uruchamiające w razie przerwy w zasilaniu hydraulicznym.
- Używać wyłącznie środków smarnych zalecanych przez producenta.
- Unikać styczności z płynem hydraulicznym. Aby ograniczyć ryzyko wystąpienia wysypki, koniecznie dokładnie wypłukać miejsce styczności.
- Karty charakterystyki dla wszystkich olejów hydraulicznych i smarów są dostępne na żądanie u dostawcy narzędzi.
- Unikać nieodpowiednich pozycji ciała, ponieważ mogą one nie pozwalać na zareagowanie na normalny lub nieoczekiwany ruch narzędzia.
- Jeśli narzędzie jest podwieszane, dopilnować, aby było solidnie zamocowane.
- Uważać na ryzyko zmiżdżenia lub ściśnięcia, gdy zespół głowicy przedniej nie jest zamocowany.
- NIE obsługiwać narzędzia ze zdjętą obudową zespołu głowicy przedniej.
- Przed przejściem dalej zapewnić odpowiedni odstęp dla rąk operatora narzędzia.
- Podczas przenoszenia narzędzia z miejsca na miejsce trzymać ręce z dala od spustu, aby uniknąć niezamierzonego uruchomienia.
- NIE upuszczać narzędzia ani nie używać go jako młotka.
- Dopilnować, aby zużyte trzpienie nie stanowiły zagrożenia.

1.4 ZAGROŻENIA ZWIĄZANE Z POWTARZALNYMI RUCHAMI

- Podczas użytkowania elektronarzędzia może wystąpić uczucie dyskomfortu w dłoniach, ramionach, barkach, szyi lub innych częściach ciała operatora.
- Podczas korzystania z narzędzia operator powinien przyjąć wygodną pozycję ciała, jednocześnie utrzymując solidne podparcie stóp oraz unikać nietypowych i niezapewniających równowagi pozycji. Operator powinien zmieniać pozycję ciała podczas wykonywania długich zadań. Może to pomóc w uniknięciu uczucia dyskomfortu oraz zmęczenia.
- W przypadku wystąpienia objawów, takich jak trwałe lub nawracające uczucie dyskomfortu, ból, pulsowanie, drętwienie, bezwład, pieczenie lub sztywność, nie należy ignorować tych sygnałów ostrzegawczych. Operator musi natychmiast powiadomić o tym pracodawcę i zasięgnąć porady lekarza.

1.5 ZAGROŻENIA ZWIĄZANE Z AKCESORIAMI

- Odłączyć narzędzie od zasilania hydraulicznego i elektrycznego przed zamontowaniem lub zdjęciem zespołu głowicy przedniej lub akcesorium.
- Używać wyłącznie akcesoriów i materiałów eksploatacyjnych o rozmiarach i typów zalecanych przez producenta narzędzia. Nie używać akcesoriów ani materiałów eksploatacyjnych innych rozmiarów i typów.

1.6 ZAGROŻENIA ZWIĄZANE Z MIEJSCEM PRACY

- Głównymi przyczynami obrażeń ciała w miejscu pracy są poślizgnięcia się, potknięcia i upadki. Uważać na śliskie powierzchnie powstałe w wyniku użytkowania narzędzia i pamiętać o zagrożeniu upadkiem w wyniku potknięcia się o przewód powietrzny lub wąż hydrauliczny.

- W nieznanym otoczeniu należy postępować ostrożnie. Mogą występować ukryte niebezpieczeństwa, takie jak przewody elektryczne lub innego typu.
- Narzędzie nie jest przeznaczone do użytku w potencjalnie wybuchowej atmosferze oraz nie posiada izolacji chroniącej w przypadku zetknięcia się z zasilaniem elektrycznym.
- Należy się upewnić, że w miejscu pracy nie występują przewody elektryczne, rury z gazem itp., które mogą stanowić zagrożenie w przypadku uszkodzenia ich przez narzędzie.
- Należy ubrać się odpowiednio. Nie zakładać luźnych ubrań ani biżuterii. Włosy, ubranie i rękawice trzymać z dala od ruchomych części. Luźne ubranie, biżuteria lub włosy mogą zostać wciągnięte przez ruchome części.
- Dopilnować, aby zużyte trzpienie nie stanowiły zagrożenia.

1.7 ZAGROŻENIA ZWIĄZANE Z HAŁASEM

- Narażenie na wysokie poziomy hałasu może spowodować trwałą utratę słuchu i inne problemy, takie jak szumy uszne (dzwonienie, brzęczenie, świst lub szum w uszach). Dlatego bardzo ważna jest ocena ryzyka i wdrożenie odpowiednich środków ochrony przed tymi zagrożeniami.
- Odpowiednie środki ochrony mogą obejmować podjęcie kroków, takich jak zastosowanie materiałów tłumiących, aby obrabiane elementy nie „dzwoniły”.
- Środki ochrony słuchu należy wykorzystywać zgodnie z instrukcjami pracodawcy oraz zgodnie z przepisami bezpieczeństwa i higieny pracy.
- Obsługiwać i konserwować narzędzie zgodnie z zaleceniami w instrukcji obsługi, aby zapobiec niepotrzebnemu zwiększeniu poziomu hałasu.

1.8 ZAGROŻENIA ZWIĄZANE Z DRGANIAMI

- Narażenie na drgania może spowodować uszkodzenie nerwów i naczyń krwionośnych w dłoniach i rękach.
- Podczas pracy w zimnych warunkach należy założyć ciepłą odzież, a dłonie utrzymywać ciepłe i suche.
- Jeśli w palcach lub dłoniach pojawi się uczucie drętwienia, pulsowania lub bólu, lub też skóra będzie bieleć, należy zaprzestać użytkowania narzędzia, powiadomić pracodawcę o zaistniałej sytuacji i zasięgnąć porady lekarza.
- Jeśli to możliwe, opierać ciężar narzędzia na stojaku, elemencie napinającym lub wyważającym, ponieważ wtedy narzędzia nie trzeba trzymać tak mocno.

1.9 DODATKOWE INSTRUKCJE BEZPIECZEŃSTWA DOTYCZĄCE ELEKTRONARZĘDZI HYDRAULICZNYCH

- Ciśnienie robocze zasilania hydraulicznego nie może przekraczać 550 barów (8000 PSI).
- Olej pod ciśnieniem może spowodować poważne obrażenia ciała.
- Nie mocować węży przeznaczonych do pracy z hydraulicznym roboczym ciśnieniem znamionowym mniejszym niż 700 barów (10 000 PSI) z natężeniem przepływu 2,73 l/min (200 cali³/min).
- Nigdy nie pozostawiać włączonego narzędzia bez nadzoru. Odłączyć wąż hydrauliczny i kabel elektryczny od pompy, gdy narzędzie nie jest w użytku, przed zmianą akcesoriów lub na czas wykonywania napraw.
- Uderzający jak bicz i podskakujący wąż może spowodować poważne obrażenia ciała. Zawsze sprawdzać pod kątem uszkodzonych lub luźnych węży i złączy.
- Przed użyciem sprawdzić węże hydrauliczne pod kątem uszkodzeń. Wszystkie połączenia hydrauliczne muszą być czyste, całkowicie podłączone i szczelne przed rozpoczęciem pracy. Nie upuszczać ciężkich przedmiotów na węże. Silne uderzenie może spowodować uszkodzenia wewnętrzne i prowadzić do przedwczesnej usterki węża.
- Kiedykolwiek korzysta się z uniwersalnych złączy wkręcanych, należy zamontować zawlecзки zabezpieczające i korzystać z linek zabezpieczających przed biciem węża, aby chronić się w razie awarii połączenia z wężem z narzędziem lub węża z wężem.
- NIE podnosić narzędzia za wąż lub kabel elektryczny. Zawsze używać uchwytu narzędzia.
- NIE ciągnąć ani nie przesuwając pompy hydraulicznej przy pomocy węża. Zawsze używać uchwytu lub obudowy pompy.
- Chronić układ hydrauliczny narzędzia przed zanieczyszczeniami i ciałami obcymi, ponieważ mogą one spowodować usterkę narzędzia.
- Stosować wyłącznie czysty olej i czysty sprzęt do napełniania olejem.
- Wolno stosować wyłącznie zalecane oleje hydrauliczne.
- Agregaty hydrauliczne wymagają swobodnego przepływu powietrza do skutecznego chłodzenia, dlatego należy je ustawić w miejscu o dobrej wentylacji i pozbawionym niebezpiecznych oparów.
- Maksymalna temperatura oleju hydraulicznego na wlocie to 110°C (230°F).

Firma STANLEY Engineered Fastening stosuje politykę ciągłego doskonalenia produktów i zastrzega sobie prawo do zmiany danych technicznych produktu bez uprzedzenia.

2. DANE TECHNICZNE

2.1 PRZEZNACZENIE

Narzędzie instalacyjne AV™ 30 to zasadniczo zespół składający się z tłoka i cylindra. Po podłączeniu do odpowiedniego źródła zasilania hydraulicznego i zasilania elektrycznego oraz zamontowaniu odpowiedniego zespołu głowicy przedniej, narzędzia można używać do instalacji elementów złącznych 1/2" do 5/8" Avbolt® oraz 1/2" do 3/4" Avdelok® XT w środowisku przemysłowym.

Narzędzie i pompa hydrauliczna mogą być używane wyłącznie zgodnie z instrukcją obsługi dotyczącą instalacji nitów strukturalnych Stanley Engineered Fastening.

Skorzystać z tabeli poniżej, aby uzyskać listę obsługiwanych elementów złącznych i odpowiednich zespołów głowicy przedniej.

Skorzystać z arkusza danych podanych w tabeli, aby uzyskać instrukcję montażu odpowiedniego zespołu głowicy przedniej.

NIE używać w obecności wody ani łatwopalnych płynów lub gazów.

ELEMENT MOCUJĄCY		ZESPÓŁ GŁOWICY PRZEDNIEJ			ZESPÓŁ GŁOWICY PRZEDNIEJ KARTA DANYCH
TYP	ROZMIAR	NUMER CZĘŚCI	ŚRED. „A”	ŚRED. „B”	NUMER CZĘŚCI
AVBOLT®	1/2"	73412-03600	113 mm	43 mm	07900-00905
	5/8"	73412-03400	113 mm	52 mm	07900-00905
AVDELOK® XT	1/2 cala	73412-03100	113 mm	43 mm	07900-00919
	5/8"	73412-03200	115 mm	48 mm	07900-00919
	3/4"	73412-03300	134 mm	56 mm	07900-00919

*Zespół głowicy przedniej ze zwalnianiem szczęk.

Patrz ilustracja na stronie 108, aby uzyskać informacje na temat identyfikacji wymiarów zespołów głowicy przedniej „A” i „B”.

Należy zawsze przestrzegać instrukcji dotyczących bezpieczeństwa.

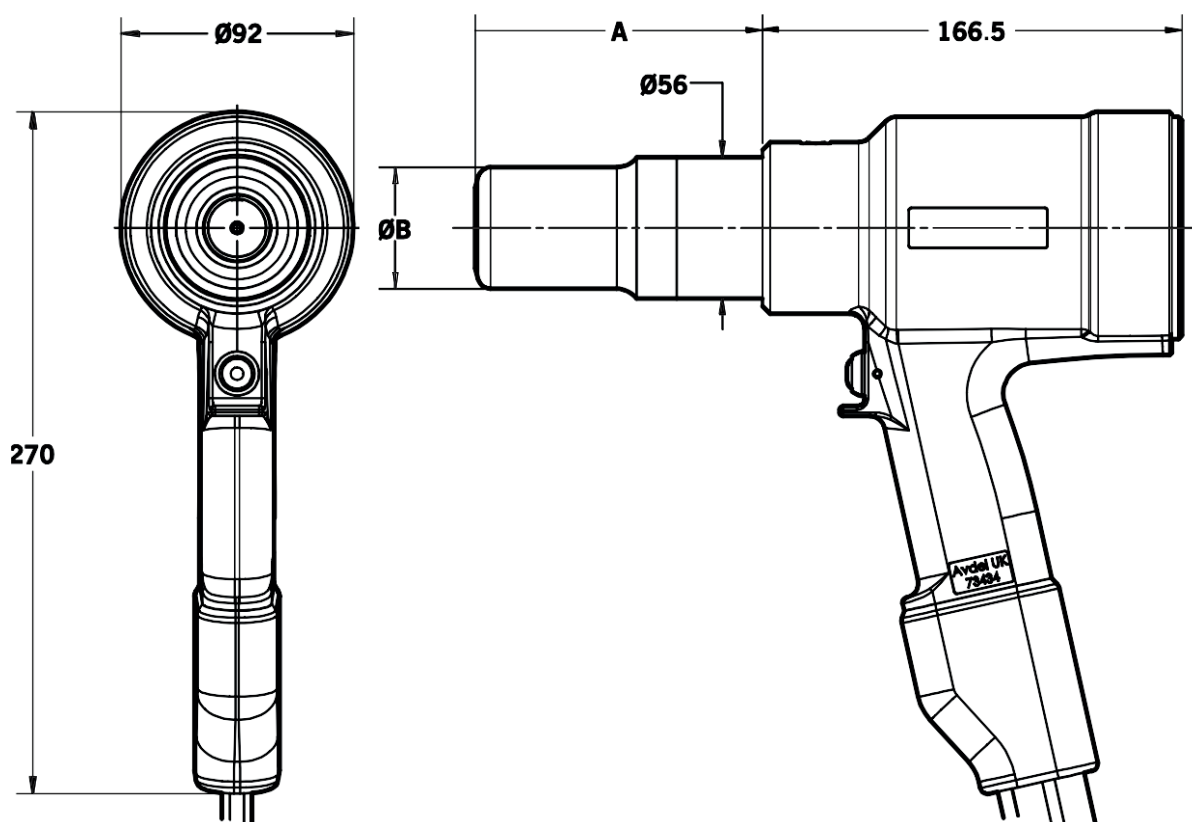
2.2 DANE TECHNICZNE NARZĘDZIA

DANE TECHNICZNE		METRYCZNE	IMPERIALNE
Siła:	Siła zaciągania przy znamionowym ciśnieniu zaciągania	175,0 kN	39341,0 lbf
	Siła odpychania przy podanym znamionowym ciśnieniu powrotnym	80,0 kN	17985,0 lbf
Ciśnienie:	Zaciąganie	510 barów	7397 PSI
	Powrót	200 barów	2901 PSI
Skok:	Skok tłoka	41,0 mm	1,61 cala
Ciężar:	Bez zespołu głowicy przedniej	6,9 kg	15,3 lb
Olej hydrauliczny:	Olej hydrauliczny Enerpac® – HF-95X		
Asortyment:	Avbolt®	12,7 do 15,9 mm	1/2 do 5/8"
	Avdelok® XT	12,7 do 19,1 mm	1/2 do 3/4"
Dodatkowe funkcje:	Wyrzucanie trzpieni - przód lub tył	Przód	
	Układ uszczelek	Uszczelki wargowe i pierścieniowe zgarniające	
	Pierścienie łożyska hydraulicznego	Tak - Przód	
	Ochronny uchwyt/mocowanie węża	Tak	
	Oslona węża	Tak	
	Zaciski mocujące wąż/kabel	Tak	

Wartości hałasu określono zgodnie z testami z norm ISO 15744 i ISO 3744.		AV30
Skorygowany charakterystyką A poziom mocy akustycznej dB(A), L_{WA}	Niepewność pomiaru hałasu: $k_{WA} = 3,0$ dB(A)	94,3 dB(A)
Poziom emitowanego ciśnienia akustycznego na stanowiskach pracy skorygowanego charakterystyką A dB(A), L_{pA}	Niepewność pomiaru hałasu: $k_{pA} = 3,0$ dB(A)	83,3 dB(A)
Szczytowy poziom emisji ciśnienia akustycznego skorygowanego charakterystyką C dB(C), L_{pC} , szczytowe	Niepewność pomiaru hałasu: $k_{pC} = 3,0$ dB(C)	128,1 dB(C)

Wartości drgań określono zgodnie z testami drgań z norm ISO 20643 i ISO 5349.		AV30
Poziom emisji drgań, a_{hd} :	Niepewność pomiaru drgań: $k = 0,48$ m/s ²	0,952 m/s ²
Deklarowane wartości emisji drgań zgodnie z EN 12096		

2.3 WYMIARY NARZĘDZIA



Wszystkie wymiary podano w milimetrach.

Patrz tabela na stronie 107, aby uzyskać informacje na temat wymiarów zespołów głowicy przedniej „A” i „B”.

Narzędzie jest wyposażone w dwa węże hydrauliczne oraz elektryczny kabel sterujący o długości 0,6 m. Dodatkowe węże hydrauliczne i przedłużenia kabla można zamówić osobno w razie potrzeby. Skorzystaj z tabeli poniżej, aby uzyskać listę długości zespołów węży hydraulicznych i ich numery części.

ZESPÓŁ WĘŻA HYDRAULICZNEGO	
NUMER CZĘŚCI	DŁUGOŚĆ WĘŻA
07008-00448	5 metrów
07008-00449	10 metrów
07008-00450	15 metrów

3. ROZPOCZĘCIE EKSPLOATACJI

3.1 ZASADA DZIAŁANIA

WAŻNE - UWAGNIE PRZECZYTAĆ ZASADY BEZPIECZEŃSTWA NA STRONACH 104 – 106 ORAZ INSTRUKCJĘ POMPY PRZED ROZPOCZĘCIEM EKSPLOATACJI.

Kiedy oba węże i kabel sterujący są podłączone do pompy hydraulicznej Avdel®/Enerpac®, cyklami zaciągania i powrotu narzędzia steruje się poprzez wciskanie i zwalnianie spustu umieszczonego na uchwycie.

Kiedy spust jest wciśnięty, zawór elektromagnetyczny znajdujący się w pompie hydraulicznej zostaje uruchomiony i kieruje olej pod ciśnieniem do strony zaciągania tłoka w narzędziu. Pozwala to jednocześnie olejowi po stronie powrotnej narzędzia na powrót do zbiornika.

Podczas cykli zaciągania zespół tłoka/tulei porusza się w stronę tyłu narzędzia, pozwalając pierścieniowi uszczelniającemu na popychanie popychacza i szczęk do przodu. Jeśli trzpień elementu złącznego jest włożony do zespołu głowicy przedniej, zestaw szczęk zaciśnie się na odłamującym trzpieniu i rozpocznie się montaż.

W przypadku elementów złącznych Avbolt® i Avdelok® XT, cykl instalacji powoduje najpierw zaciśnięcie elementu złącznego do zamocowania, a następnie, gdy kowadełko porusza się dalej naprzód, kołnierz zostaje wtłoczony w rowki blokujące trzpienia. Na koniec cyklu wtłaczania kowadełko przemieszcza się do elementu złącznego i, wraz z dalszym ruchem, odłamany trzpień zostaje odłamany.

Spust należy zwolnić niezwłocznie po odłamaniu trzpienia. Zwolnienie spustu powoduje wyłączenie zaworu elektromagnetycznego i odwrócenie kierunku przepływu oleju pod ciśnieniem.

Jeśli spust nie zostanie zwolniony, tłok narzędzia będzie dalej poruszać się w stronę tyłu narzędzia, aż osiągnie koniec skoku. Wtedy ciśnienie po stronie zaciągania wzrośnie, aż do uzyskania nastawionej wartości „wysokiego ciśnienia” w pompie. W tym momencie zawór elektromagnetyczny wyłączy się automatycznie i odwróci kierunek przepływu oleju pod ciśnieniem do strony powrotnej narzędzia.

W każdym razie, olej pod ciśnieniem będzie teraz przepływać do strony powrotnej narzędzia, a olej po stronie zaciągania będzie powracać do zbiornika.

Ruch zespołu tłoka/tulei do przodu spowoduje wyrzucenie instalowanego elementu złącznego z kowadełka.

W momencie zwolnienia spustu lub osiągnięcia wartości „wysokiego ciśnienia”, zawór elektromagnetyczny wyłączy się i uruchomi ustawiony „licznik czasu powrotnego”. Licznik ten reguluje czas dalszej pracy silnika pompy do momentu jej przełączenia w tryb jałowy. Licznik można ręcznie ustawić na wartość od 5 do 20 sekund w celu zagwarantowania, że tłok narzędzia zawsze powróci do skrajnego położenia przedniego (patrz instrukcja obsługi pompy 07900-01030, strony 10 i 13).

Kiedy tłok powróci do skrajnego położenia przedniego, ciśnienie wzrośnie do ustawionej wartości niskiego ciśnienia - 200 barów. Silnik pompy będzie pracować do czasu upłynięcia czasu licznika czasu powrotnego. Po tym okresie silnik zatrzyma się automatycznie i zawór przełączy się w położenie jałowe. Następnie zawór elektromagnetyczny przestawi się automatycznie w celu zwolnienia oleju pod ciśnieniem do zbiornika z obu stron narzędzia - zaciągania i powrotnej.

Pozwala to utrzymywać narzędzie instalacyjne w pozycji przedniej. W tym momencie w układzie hydraulicznym nie występuje ciśnienie.

Pompa hydrauliczna włączy się automatycznie po wciśnięciu spustu narzędzia.

3.2 PRZYGOTOWANIE DO UŻYTKU

PRZESTROGA - DOSTARCZANIE ODPOWIEDNIEGO CIŚNIENIA ZACIĄGANIA I POWROTNEGO JEST WAŻNE DLA POPRAWNEGO DZIAŁANIA NARZĘDZIA INSTALACYJNEGO. JEŚLI ODPOWIEDNIE CIŚNIENIE NIE BĘDZIE ZAPEWNIONE, MOŻE DOJŚĆ DO OBRAŻEŃ CIAŁA LUB USZKODZENIA SPRZĘTU. WARTOŚCI CIŚNIENIA ZACIĄGANIA I POWROTNEGO DOSTARCZANE PRZEZ POMPĘ HYDRAULICZNĄ NIE MOGĄ PRZEKRACZAĆ WARTOŚCI PODANYCH W DANYCH TECHNICZNYCH NARZĘDZIA.

WAŻNE - PRZED ROZPOCZĘCIEM EKSPLOATACJI NARZĘDZIA I ZESTAWU WĘŻA HYDRAULICZNEGO:

DOPILNOWAĆ, ABY ZAWORY NADMIAROWE POMPY BYŁY USTAWIONE ZGODNIE Z INSTRUKCJĄ POMPY I MAKSYMALNYMI WARTOŚCIAMI CIŚNIENIA PODANYMI DLA NARZĘDZIA I WĘŻY.

DOPILNOWAĆ, ABY ZESTAW WĘŻA BYŁ WSTĘPNIE NAPEŁNIONY OLEJEM HYDRAULICZNYM ZGODNIE Z PROCEDURĄ OPISANĄ W INSTRUKCJI POMPY 07900-01030.

- Dopilnować, aby zasilanie elektryczne pompy hydraulicznej było wyłączone.
- Podłączyć szybkozłącza węża hydraulicznego narzędzia bezpośrednio do pompy przed podłączeniem elektrycznego kabla sterującego. Węże i kabel sterujący muszą być podłączone w tej kolejności i odłączone w kolejności odwrotnej.
- Włączyć zasilanie elektryczne pompy hydraulicznej. Odczekać 5 sekund na zakończenie sekwencji uruchamiania pompy, po czym wcisnąć spust. Kiedy wszystko będzie gotowe, na ekranie LCD pompy pojawi się napis „AVDEL”.
- Podczas sekwencji uruchamiania system sterowania pompy zidentyfikuje jakiegokolwiek użycie spustu jako potencjalną usterkę i uniemożliwi uruchomienie silnika. W takim przypadku na ekranie LCD pojawi się napis „BUTTON FAULT” (usterka przycisku). Zresetować, wyłączając zasilanie na 10 sekund.
- Dopilnować, aby narzędzie znajdowało się poniżej zbiorników wyrównawczych pompy. Wcisnąć i zwolnić spust narzędzia kilkakrotnie, prawie do pełnego skoku narzędzia, aby olej hydrauliczny napełnił narzędzie i by usunąć powietrze z narzędzia.
- Obserwować działanie narzędzia. Sprawdzić pod kątem wycieków oleju i dopilnować, aby w trybie jałowym tłok znajdował się w skrajnym przednim położeniu. Narzędzie zostanie teraz wstępnie napełnione.
- Wyłączyć elektryczne pompy hydraulicznej, po czym odłączyć narzędzie od pompy w odwrotnej kolejności od opisanej powyżej.
- Następnie podłączyć narzędzie do wstępnie napełnionego zestawu węża hydraulicznego i do elektrycznego kabla sterującego. Następnie podłączyć szybkozłącza zestawu węża hydraulicznego i elektryczny kabel sterujący do pompy.
- Podłączyć zespół głowicy przedniej do narzędzia zgodnie z instrukcją w odpowiedniej karcie danych zespołu głowicy przedniej.
- Włączyć zasilanie elektryczne pompy hydraulicznej zgodnie z opisem powyżej.
- Wcisnąć i zwolnić spust narzędzia kilkakrotnie, prawie do pełnego skoku narzędzia, aby olej hydrauliczny napełnił narzędzie.
- Narzędzie jest teraz gotowe do pracy.

4. INSTRUKCJA OBSŁUGI

4.1 W CELU INSTALACJI ELEMENTU ZŁĄCZNEGO AVBOLT®

- Sprawdzić powierzchnię instalacji i usunąć nadmierny odstęp. (Odstęp to przestrzeń między komponentami połączenia. Odstęp jest nadmierny, jeśli niewystarczająca część odłamki trzpienia wystaje przez kołnierz, przez co szczęki zespołu głowicy przedniej nie mają za co chwycić).
- Umieścić element łączny Avbolt® w otworze.
- Wpychać zespół głowicy przedniej na trzpień, aż kowadełko zespołu głowicy przedniej zatrzyma się na kołnierzu. Narzędzie i zespół głowicy przedniej należy trzymać pod kątem prostym (90°) do powierzchni instalacji.
- Wcisnąć spust narzędzia, aby rozpocząć cykl instalacji.
- Kiedy ruch naprzód kowadełka zespołu głowicy przedniej zatrzyma się i dojdzie do odłamania trzpienia, zwolnić spust. Narzędzie rozpocznie skok powrotny i odepchnie zainstalowany element łączny. Pod koniec skoku powrotnego szczęki częściowo zwolnią rozszerzony trzpień, który można usunąć, pochylając nosek narzędzia w dół.
- Po wyrzuceniu zainstalowanego elementu łącznego narzędzie i zespół głowicy przedniej są gotowe do kolejnej instalacji.

4.2 W CELU INSTALACJI ELEMENTU ZŁĄCZNEGO AVDELOK® XT

- Sprawdzić powierzchnię instalacji i usunąć nadmierny odstęp. (Odstęp to przestrzeń między komponentami połączenia. Odstęp jest nadmierny, jeśli niewystarczająca część odłamki trzpienia wystaje przez kołnierz, przez co szczęki zespołu głowicy przedniej nie mają za co chwycić).
- Umieścić element łączny Avdelok® XT w otworze.
- Nasunąć kołnierz Avdelok® XT na trzpień. (Fazowany koniec kołnierza musi być skierowany na zespół głowicy przedniej i narzędzie).
- Wpychać zespół głowicy przedniej na trzpień, aż kowadełko zespołu głowicy przedniej zatrzyma się na kołnierzu. Narzędzie i zespół głowicy przedniej należy trzymać pod kątem prostym (90°) do powierzchni instalacji.
- Wcisnąć spust narzędzia, aby rozpocząć cykl instalacji.
- Kiedy ruch naprzód kowadełka zespołu głowicy przedniej zatrzyma się i dojdzie do odłamania trzpienia, zwolnić spust. Narzędzie rozpocznie skok powrotny i odepchnie zainstalowany element łączny. Pod koniec skoku powrotnego szczęki częściowo zwolnią rozszerzony trzpień, który można usunąć, pochylając nosek narzędzia w dół.
- Po wyrzuceniu zainstalowanego elementu łącznego, narzędzie i zespół głowicy przedniej są gotowe do kolejnej instalacji.

PRZESTROGA- PRÓBOWAĆ ODŁAMYWAĆ TRZPIENIA BEZ INSTALACJI KOŁNIERZA, PONIEWAŻ SPOWODUJE TO WYRZUCENIE NIEZAMOCOWANEJ CZĘŚCI TRZPIENIA AVDELOK® LUB AVBOLT® Z GŁOWICY PRZEDNIEJ Z WYSOKĄ PRĘDKOŚCIĄ I DUŻĄ SIŁĄ.

5. SERWISOWANIE NARZĘDZIA

WAŻNE - PRZECZYTAĆ INSTRUKCJE DOTYCZĄCE BEZPIECZEŃSTWA NA STRONACH 104 - 106. PRACODAWCA ODPOWIADA ZA PRZEKAZANIE INSTRUKCJI KONSERWACJI NARZĘDZIA WŁAŚCIWEMU PERSONELOWI. OPERATOR NIE MOŻE UCZESTNICZYĆ W KONSERWACJI LUB NAPRAWIE NARZĘDZIA, JEŚLI NIE ZOSTAŁ PRAWIDŁOWO PRZESKOŁONY. NARZĘDZIE NALEŻY REGULARNIE SPRAWDZAĆ POD KĄTEM USZKODZEŃ I AWARII.

5.1 CODZIENNY SERWIS

- Sprawdzić narzędzie, węże i szybkozłącza pod kątem wycieków oleju.
- Wymienić uszkodzone lub zużyte węże i złącza.
- Sprawdzić, czy skok narzędzia jest zgodny z wymaganą wartością.
- Sprawdzić, czy deflektor trzpieni jest zamontowany.
- Sprawdzić, czy zawór nadmiarowy zaciągania/przesuwania naprzód pompy działa prawidłowo.
- Sprawdzić, czy kowadełko nie jest zużyte, o czym świadczą ślady rysowania na zamontowanym kołnierzu. Można to również sprawdzić, korzystając z danych dotyczących instalacji w katalogu elementów złącznych. Nadmierne zużycie może spowodować rozerwanie kowadełka.

5.2 COTYGODNIOWY SERWIS

- Zdemontować i oczyścić zespół głowicy przedniej, w szczególności szczęki, zgodnie z opisem w odpowiedniej karcie danych zespołu głowicy przedniej.
- Sprawdzić narzędzie, węże i szybkozłącza pod kątem wycieków oleju

PRZESTROGA - Nigdy nie wolno używać rozpuszczalników ani innych agresywnych środków chemicznych do czyszczenia części narzędzia niewykonanych z metalu. Takie środki chemiczne mogą osłabić materiał, z jakiego wykonano te części.

5.3 SERWIS ROCZNY/CO 150 TYS. OPERACJI

- Po wykonaniu 150 000 cykli narzędzie należy całkowicie rozmontować i zastosować nowe komponenty w przypadku stwierdzenia zużycia, uszkodzenia lub gdy istnieją zalecenia nakazujące dokonanie wymiany. Wszystkie pierścienie uszczelniające, spiralne pierścienie wycofujące i uszczelki należy wymienić i nasmarować smarem MolyKote® 111 przed zamontowaniem.

5.4 ZESTAW SERWISOWY

Dostępny jest następujący zestaw serwisowy pozwalający na przeprowadzenie całościowej konserwacji:

ZESTAW SERWISOWY: 73432-99990			
NUMER CZĘŚCI	OPIS	NUMER CZĘŚCI	OPIS
07005-10118	Szybkozłącze - wtyk	07900-00972	Bolec prowadzący przedniej uszczelki dławikowej AV30
07005-10120	Szybkozłącze - gniazdo	07900-00963	Tuleja prowadnicy tłoka AV30
07900-00958	Nakrywka czołowa korpusu narzędzia	07992-00020	Smar – MolyLithium EP3753
07900-00969	Tuleja uszczelki tłoka AV30	07900-00755	Smar – Molykote® 111
07900-00970	Trzpień ruchomy uszczelki tłoka AV30	07900-00756	Środek do zabezpieczania gwintów Loctite® 243
07900-00971	Głowica tłoka AV30 - przód		

5.5 NARZĘDZIA SERWISOWE

Wymagane są również następujące standardowe narzędzia:

- Klucz imbusowy: 2,0 / 3,0 mm
- Klucz płaski: 12 / 14 / 18 / 24 / 45 mm A/F
- Taśma PTFE: 10 mm
- Imadło ślusarskie z osłonami szczęk – 150 mm

5.6 OLEJ HYDRAULICZNY

PRZESTROGA – Stosować wyłącznie olej hydrauliczny Enerpac® HF - użycie innego oleju może spowodować usterkę narzędzia i pompy oraz spowoduje unieważnienie gwarancji.

Olej hydrauliczny można zamówić pod następującymi numerami części.

OLEJ HYDRAULICZNY			
NUMER CZĘŚCI	07992-00081	07992-00082	07992-00083
Numer części Enerpac®	HF-95X	HF-95Y	HF-95T
Objętość	1 litr	5 litrów	20 litrów
Lepkość	32 mm ² /s	32 mm ² /s	32 mm ² /s

5.7 INSTRUKCJA DEMONTAŻU

WAŻNE - DOPILNOWAĆ, ABY ZASILANIE ELEKTRYCZNE POMPY HYDRAULICZNEJ BYŁO WYŁĄCZONE PRZED ZDEMONTOWANIEM ZESPOŁU GŁOWICY PRZEDNIEJ LUB DEMONTAŻEM NARZĘDZIA.

Przed demontażem:

- Odłączyć szybkozłącza **10** i **11** oraz elektryczny kabel sterujący **14** łączące narzędzie z zespołem węża hydraulicznego.
- Zdemontować zespół głowicy przedniej z narzędzia zgodnie z instrukcją w odpowiedniej karcie danych zespołu głowicy przedniej.
- Potencjalnie niebezpieczne substancje, które mogły osadzić się na maszynie w wyniku procesów roboczych, należy usunąć przed rozpoczęciem konserwacji.

W celu wykonania pełnego serwisowania narzędzia zaleca się przeprowadzenie demontażu narzędzia w kolejności przedstawionej na stronach od 113 do 115. Zalecamy wymianę wszystkich uszczelek po demontażu narzędzia.

Zespół tłoka:

- Za pomocą małego wkrętaka z płaską końcówką usunąć zawleczkę **41** z adaptera tulei zaciskowej **40**.
- Wykręcić i wyjąć adapter tulei zaciskowej **40** z tłoka **1**.
- Zaciśnąć uchwyt narzędzia w imadle z miękkimi szczękami, aby narzędzie było skierowane noskiem w dół.
- Podłączyć zapasowe *szybkozłącze - wtyk do szybkozłącza - gniazda **11** na wężu hydraulicznym - powrotnym **18**. Spowoduje to zwolnienie całego ciśnienia ze strony powrotnej tłoka **1** i ułatwi demontaż nakrywki czołowej **17**.
- Włożyć nakrywkę czołową zespołu korpusu narzędzia w nakrywkę czołową **17**.
- Za pomocą klucza 24 mm A/F wykręcić i usunąć nakrywkę czołową **17** z korpusu **2**.
- Za pomocą małego wkrętaka z płaską końcówką usunąć pierścień uszczelniający **21** z nakrywki czołowej **17** i zutylizować go.
- Za pomocą małego wkrętaka z płaską końcówką lub podobnego narzędzia usunąć pierścień uszczelniający **30** i spiralny pierścień wycofujący **36** z zewnętrznego rowka na nakrywce czołowej **17** i zutylizować je. Podczas usuwania uszczelek uważać, aby nie uszkodzić powierzchni nakrywki czołowej wkrętakiem.
- Usunąć narzędzie z imadła i usunąć olej hydrauliczny z tylnej części narzędzia. Wyjąć zapasowe *szybkozłącze - wtyk z szybkozłącza - gniazda **11**.
- Podłączyć zapasowe *szybkozłącze - gniazdo do szybkozłącza - wtyku **10** na wężu hydraulicznym - zaciąganie **19**. Spowoduje to zwolnienie całego ciśnienia ze strony zaciągania tłoka **1** i ułatwi demontaż tłoka **1**.
- Nakręcić *głowicę tłoka - przód na przód tłoka **1**.
- Położyć korpus na blacie roboczym **2** końcówką przednią do góry. Następnie, korzystając z miękkiego młotka, uderzać w tłok **1** w stronę tylnej części korpusu i wypchnąć go przez tylny koniec, uważając, aby nie uszkodzić przewodu na tłok w korpusie.
- Zwrócić uwagę, że podczas demontażu tłoka **1**, olej po stronie zaciągania tłoka będzie wyciekać przez przednią i tylną część korpusu **2**.
- Podczas demontażu tłoka **1** przednią uszczelkę **15** można pozostawić na tłoczysku. W takim przypadku odkręcić *głowicę tłoka - przód i ściągnąć przednią uszczelkę z tłoka.
- Uszczelka tłoka **26** to dwuczęściowa uszczelka składająca się z zewnętrznego pierścienia uszczelniającego i wewnętrznego pierścienia uszczelniającego. Korzystając z małego noża, przeciąć zewnętrzny pierścień uszczelniający i wyjąć go z zewnętrznego rowka na tłoku **1**. Następnie, korzystając z małego wkrętaka z płaską końcówką, zdjąć wewnętrzny pierścień uszczelniający z tłoka i usunąć go. Podczas usuwania uszczelek uważać, aby nie uszkodzić powierzchni tłoka.

Wszystkie numery oznaczone **pogrubioną** czcionką odnoszą się do ogólnego montażu i listy części na stronach 116, 117 i 118.

* Zestaw serwisowy na stronie 112.

- Jeśli przednia uszczelka **15** nadal pozostaje na korpusie **2**. Położyć korpus na blacie głowicą do góry i wypychać przednią uszczelkę od przodu, aż znajdzie się poza wgłębieniem w korpusie. Przednią uszczelkę można następnie usunąć z tylnego końca korpusu. Zachować ostrożność, aby nie uszkodzić kanału w korpusie podczas tej czynności.
- Za pomocą małego wkrętaka z płaską końcówką usunąć pierścień uszczelniający **23** i spiralny pierścień wycofujący **34** z zewnętrznego rowka na uszczelce przedniej **15** i zutilizować je. Podczas usuwania uszczelek uważać, aby nie uszkodzić powierzchni przedniej uszczelki dławikowej wkrętakiem.
- Zdemontować uszczelkę prętową **25** i uszczelkę zgarniającą **22**, z wewnętrznych rowków na przedniej uszczelce dławikowej **15** i zutilizować je. Podczas usuwania uszczelek uważać, aby nie uszkodzić powierzchni przedniej uszczelki dławikowej wkrętakiem.
- Zdemontować przedni pierścień łożyska **24** i sprawdzić go pod kątem zużycia lub uszkodzeń. Zutilizować w razie potrzeby.
- Za pomocą małego wkrętaka z płaską końcówką usunąć pierścień uszczelniający **21** z korpusu **2** i zutilizować go.
- Wyjąć zapasowe *szybkozłącze - gniazdo z szybkozłącza - wtyku 10 na węź hydraulicznym - zaciąganie **19**.
- Nie wykręcać śruby ustalającej **42** z korpusu **2**.

Zmontować, wykonując powyższą procedurę demontażu w odwrotnej kolejności, zwracając uwagę na następujące kwestie:

- Oczyszczyć wszystkie części przed montażem.
- Aby ułatwić montaż uszczelek, nałożyć cienką warstwę smaru Molykote® 111 na wszystkie uszczelki, rowki uszczelek, pierścienie wycofujące i narzędzia montażowe.
- Nasunąć pierścień uszczelniający **23** na przednią uszczelkę dławikową **15** i w zewnętrzny rowek. Włożyć spiralny pierścień wycofujący **34** w ten sam rowek, przed zainstalowanym pierścieniem uszczelniającym. Skorzystać z rysunku ogólnego montażu i listy części, aby uzyskać informacje o prawidłowej orientacji pierścienia uszczelniającego i spiralnego pierścienia wycofującego.
- Wcisnąć przedni pierścień łożyska **24** w wewnętrzne wgłębienie w przedniej uszczelce dławikowej **15**, po czym zainstalować uszczelkę prętową **25** za przednim pierścieniem łożyska. Zamontować uszczelkę zgarniającą **22** w przednim wgłębieniu przedniej uszczelki dławikowej. Skorzystać z rysunku ogólnego montażu, aby zapewnić prawidłową orientację uszczelki prętowej i uszczelki zgarniającej.
- Nasmarować powierzchnię i przednią krawędź kanału korpusu **2**, w którym zamontowana ma być przednia uszczelka dławikowa **15** smarem Molykote® 111.
- Nasmarować czop narzędzia do *pręta prowadzącego przedniej uszczelki dławikowej i nałożyć przednią uszczelkę dławikową **15**, uszczelkę prętową **25** końcem naprzód, całkowicie na czop. Włożyć *pręt prowadzący przedniej uszczelki dławikowej w tył korpusu **2**, po czym wepchnąć przednią uszczelkę dławikową do końca w kanał w korpusie. Użycie znacznej siły jest konieczne do włożenia przedniej uszczelki dławikowej w korpus, dlatego użycie prasy lub imadła może być konieczne. Usunąć *pręt prowadzący przedniej uszczelki dławikowej, dopilnowując, aby przednia uszczelka dławikowa pozostała na miejscu.
- Nasmarować rowek uszczelki i zewnętrzną większą średnicę tłoka **1** smarem Molykote® 111. Wsunąć uszczelkę tłoka **26** na przednią część większej średnicy tłoka i do wnętrza rowka uszczelki.
- Nakręcić *głowicę tłoka - przód na tłok **1**. Nałożyć *tuleję uszczelki tłoka na tłoczysko, po czym umieścić zewnętrzny pierścień uszczelniający uszczelki tłoka **26** na *tuleję uszczelki tłoka, aby opierał się na obwodzie stożkowym. Nasmarować powierzchnię *tulei uszczelki tłoka smarem Molykote® 111.
- Nałożyć *trzpień ruchomy uszczelki tłoka na tłoczysko **1** i *tuleję uszczelki tłoka, w taki sposób, aby otwarty koniec *trzpienia ruchomego uszczelki tłoka opierał się na zewnętrznym pierścieniu uszczelniającym uszczelki tłoka **26**. Korzystając z *trzpienia ruchomego uszczelki tłoka, pchnąć zewnętrzny pierścień uszczelniający poza *tuleję uszczelki tłoka i w rowek uszczelki tłoka. Użycie znacznej siły jest konieczne do rozszerzenia i włożenia zewnętrznego pierścienia uszczelniającego na tłok, dlatego użycie prasy lub imadła może być konieczne.
- Zdjąć *trzpień ruchomy uszczelki tłoka i *tuleję uszczelki tłoka z tłoka **1**. Nasmarować *głowicę tłoka - przód, tłoczysko i uszczelkę tłoka **26** smarem Molykote® 111.
- Wkręcić *tuleję prowadzącą tłoka do końca w tył korpusu **2**. Nasmarować kanały w korpusie i w *tulei prowadzącej tłoka smarem Molykote® 111.
- Podłączyć zapasowe *szybkozłącze - gniazdo do szybkozłącza - wtyku **10** na węź hydraulicznym - zaciąganie **19**. Pozwoli to na uwolnienie powietrza z tłoka po stronie zaciągania **1** podczas wkładania tłoka.
- Włożyć zmontowany tłok **1** w tył korpusu **2** i przez zamontowaną przednią uszczelkę dławikową **15**. Pchać tłok do skrajnej pozycji przedniej, aż dotrze do przedniej uszczelki dławikowej. Olej hydrauliczny zostanie wypchnięty przez wąż hydrauliczny - zaciąganie **19**. Użycie znacznej siły jest konieczne do włożenia tłoka w korpus, dlatego użycie prasy lub imadła może być konieczne.

Wszystkie numery oznaczone **pogrubioną** czcionką odnoszą się do ogólnego montażu i listy części na stronach 116, 117 i 118.

* Zestaw serwisowy na stronie 112.

- Wyjąć zapasowe *szybkozłącze - gniazdo z szybkozłącza - wtyku **10** na węży hydraulicznym - zaciąganie **19**. Usunąć tuleję prowadzącą tłoka do końca z tyłu korpusu **2**.
- Nasunąć pierścień uszczelniający **30** na nakrywkę czołową **17** i w zewnętrzny rowek. Włożyć spiralny pierścień wycofujący **36** w ten sam rowek, za zainstalowanym pierścieniem uszczelniającym. Skorzystać z rysunku ogólnego montażu i listy części, aby uzyskać informacje o prawidłowej orientacji pierścienia uszczelniającego i spiralnego pierścienia wycofującego.
- Wcisnąć tylny pierścień łożyska **29** w wewnętrzne wgłębienie w tylnej uszczelce dławikowej **16**, po czym zainstalować uszczelkę prętową **28** za tylnym pierścieniem łożyska. Zamontować uszczelkę zgarniającą **31** w tylnym wgłębieniu przedniej uszczelki dławikowej. Skorzystać z rysunku ogólnego montażu, aby zapewnić prawidłową orientację uszczelki prętowej i uszczelki zgarniającej.
- Zaciśnąć uchwyt narzędzia w imadle z miękkimi szczękami, aby narzędzie było skierowane noskiem w dół.
- Nasmarować powierzchnię i przednią krawędź kanału korpusu **2**, w którym zamontowana ma być tylna uszczelka dławikowa **16** smarem Molykote® 111.
- Napęlnić tył korpusu **2** olejem hydraulicznym Enerpac® HF. Poziom oleju powinien sięgać nieznacznie powyżej tylnego otworu wlotowego w korpusie.
- Podłączyć zapasowe *szybkozłącze - wtyk do szybkozłącza - gniazda **11** na węży hydraulicznym - powrotnym **18**. Pozwoli to na uwolnienie powietrza z tłoka po stronie powrotnej tłoka **1** podczas wkładania nakrywki czołowej **17**.
- Nasmarować wewnętrzny gwint w korpusie **2** i zewnętrzny gwint na nakrywce czołowej **17** smarem MolyLithium.
- Włożyć nakrywkę czołową **17** w tył korpusu **2**, uważając, aby nie uszkodzić pierścienia uszczelniającego **30** i spiralnego pierścienia uszczelniającego **36** o gwinty korpusu. Wkręcić nakrywkę czołową **17** do końca w tył korpusu za pomocą *nakrywki czołowej zespołu korpusu narzędzia. Podczas tej czynności niewielka ilość oleju zostanie wypchnięta z węża hydraulicznego - powrotnego **18**.
- Odłączyć zapasowe *szybkozłącze - wtyk z szybkozłącza - gniazda **11** na węży hydraulicznym - powrotnym **18**.
- Nakręcać adapter tulei zaciskowej **40** na tłok **1**, aż przednia powierzchnia czołowa będzie ustawiona na równym poziomie z końcem tłoka. Dopasować adapter tulei zaciskowej do szczeliny w końcu tłoka i włożyć zawleczkę zabezpieczającą **41**.
- Napęlnić narzędzie wstępnie zgodnie z opisem przygotowania do użycia na stronie 110.

Zespół węża:

- Wykręcić dwie śruby **9** z zacisku węża **13** przy pomocy klucza imbusowego 3,0 mm. Zdjąć zacisk węża i wkładkę zacisku **20** z tulei ochronnej **37** i węże hydrauliczne - powrotny **18** i zaciągania **19**.
- Za pomocą małego wkrętaka z płaską końcówką podważyć uchwyt **8** z uchwytu korpusu **2**. Pociągnąć uchwyt nad tuleją ochronną **37** wężami hydraulicznymi - powrotnym **18** i zaciągania **19** i usunąć.
- Przeciąć opaskę zaciskową **35** i odsunąć tuleję ochronną do tyłu **37**, aby odsłonić mocowania na węzłach hydraulicznych **18** i **19**. Węże hydrauliczne można usunąć z korpusu **2** za pomocą kluczy 12 mm i 14 mm.
- Szybkozłącza - wtyk **10** i gniazdo **11** można usunąć z węża hydraulicznych **18** i **19** za pomocą kluczy 18 mm i 24 mm.
- Aby zdemontować spust narzędzia **7**, najpierw poluzować uszczelkę kabla **38**, aby kabel sterujący **14** mógł swobodnie poruszać się w korpusie **2**. Następnie wykręcić śrubę ustalającą M4 **12** kluczem imbusowym 2,0 mm.
- Wepchnąć kabel sterujący **14** w korpus **2** i jednocześnie wyciągnąć spust **7** z korpusu, aby odsłonić złącza lutowane na stykach spustu. Rozlutować styki, aby usunąć spust i wkładkę spustu **39**. Wkładka spustu jest przyklejona do spustu i nie można jej odłączyć.
- Kabel sterujący **14** można teraz wyciągnąć z korpusu **2** i wyjąć z tulei ochronnej **37**.

Zmontować, wykonując powyższą procedurę demontażu w odwrotnej kolejności, zwracając uwagę na następujące kwestie:

- Przed montażem oczyścić wszystkie gwinty szybkozłączy - wtyk **10** i gniazdo **11** oraz węże hydraulicznych - powrotnym **18** i zaciągania **19**. Następnie nałożyć trzy warstwy taśmy PTFE 10 mm na gwinty wtyków na obu węzłach hydraulicznych.
- Podczas montowania na miejsce spustu **7** nałożyć *Loctite® 243 na gwint zewnętrzny na spuście przed zamontowaniem wkładki spustu **39**.
- Nałożyć *Loctite® 243 na śrubę ustalającą M4 **12** przed montażem.
- Po zmontowaniu wstępnie napęlnić narzędzie zgodnie z opisem na stronie 110.

5.8 OCHRONA ŚRODOWISKA

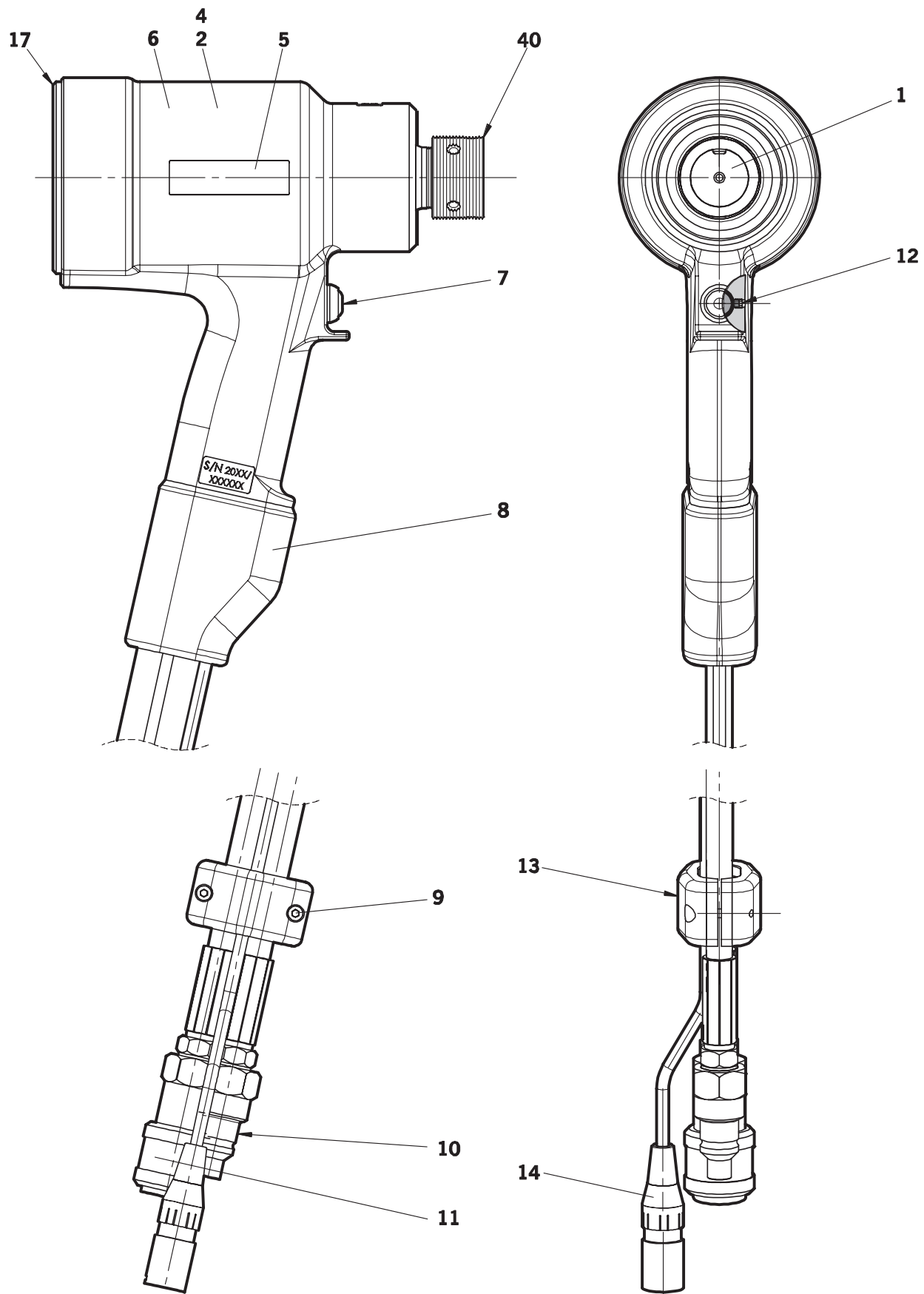
- Zapewnić zgodność z obowiązującymi przepisami dotyczącymi utylizacji. Zutylizować wszystkie odpady w odpowiednim zakładzie przetwórstwa odpadów, aby nie narażać personelu ani środowiska.

Wszystkie numery oznaczone **pogrubioną** czcionką odnoszą się do ogólnego montażu i listy części na stronach 116, 117 i 118.

* Zestaw serwisowy na stronie 112.

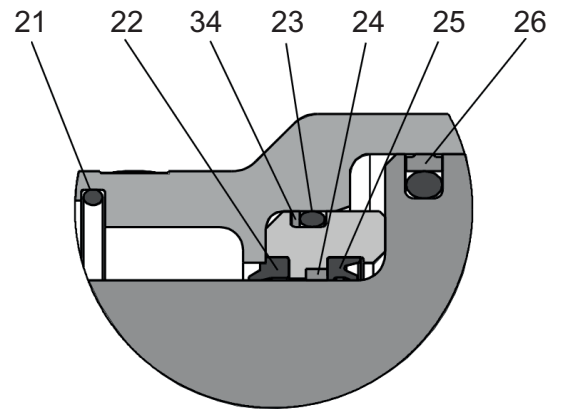
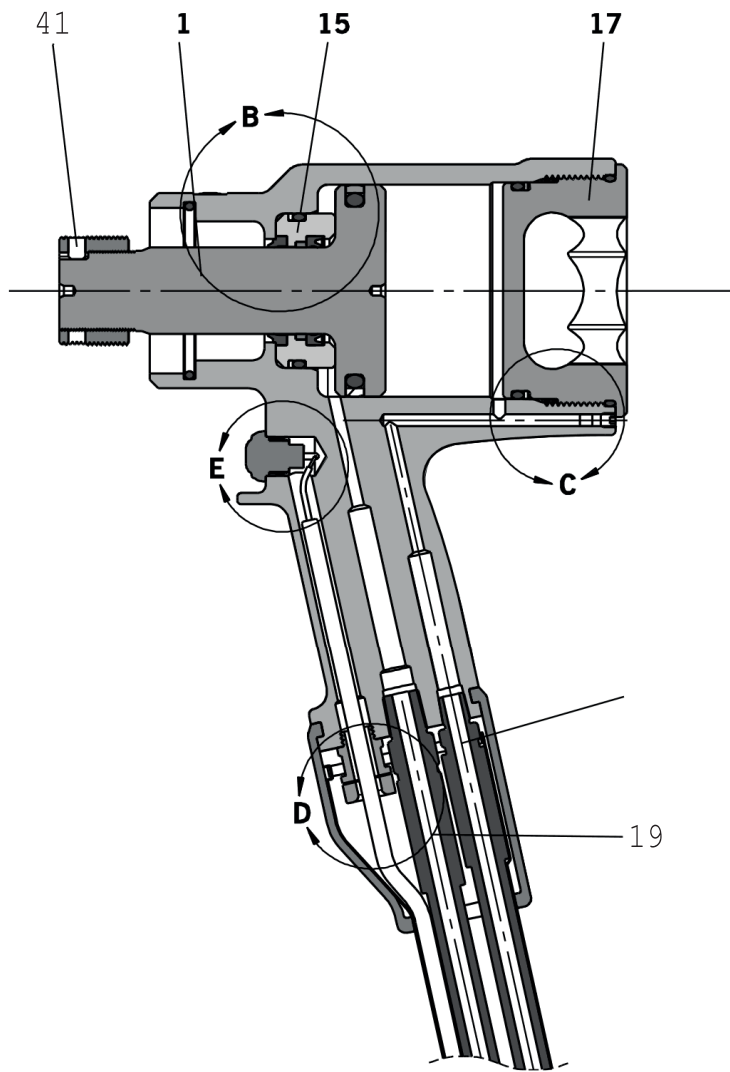
6. OGÓLNY RYSUNEK MONTAŻOWY I LISTA CZĘŚCI

6.1 OGÓLNY RYSUNEK MONTAŻOWY

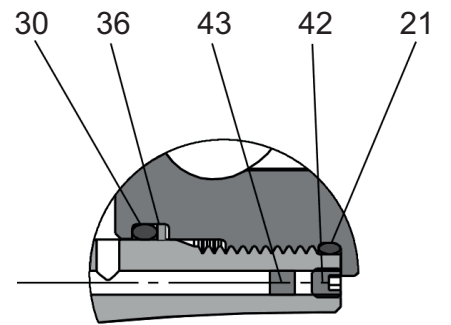


ITEM 37 PROTECTIVE SLEEVE
REMOVED FOR CLARITY

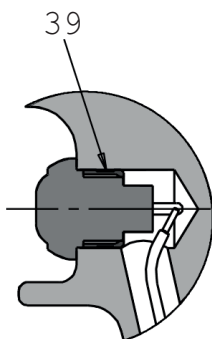
ITEM 37 PROTECTIVE SLEEVE
REMOVED FOR CLARITY



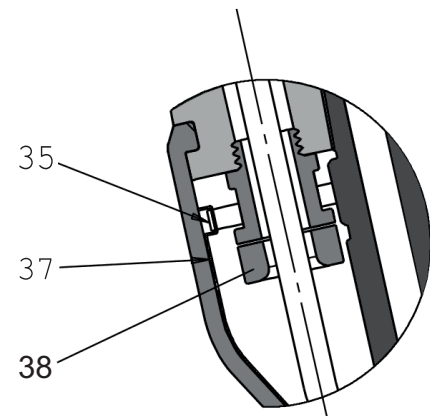
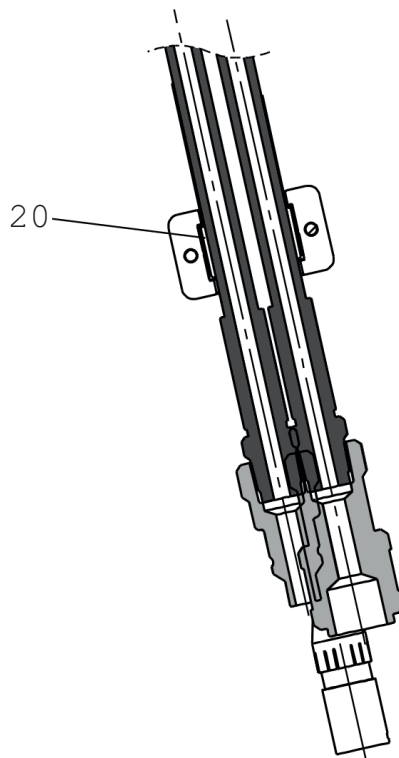
DETAIL B



DETAIL C



DETAIL E



DETAIL D

6.2 LISTA CZĘŚCI

Lista części 73432-02000			
POZ.	NUMER CZĘŚCI	OPIS	LICZBA SZTUK
1	73434-02003	TŁOK	1
2	73434-02001	KORPUS	1
3			
4	73425-02016	ETYKIETA OSTRZEGAWCZA	1
5	73434-02026	NAKLEJKA AV30	2
6	07007-01504	ETYKIETA CE I UKCA	1
7	07007-02103	SPUST	1
8	73430-02020	UCHWYT	1
9	07001-00686	ŚRUBA Z ŁBEM ZMNIJSZONYM M4 X 16 SKT HD	2
10	07005-10118	SZYBKOZŁĄCZE - WTYK	1
11	07005-10120	SZYBKOZŁĄCZE - GNIAZDO	1
12	07001-00479	ŚRUBA USTALAJĄCA M4 X 4 SKT	1
13	73430-02023	ZACISK WĘŻA	1
14	07007-02105	KABEL STERUJĄCY	1
15	73434-02004	PRZEDNIA USZCZELKA	1
16			
17	73434-02005	NAKRYWKA	1
18	07005-10119	WĄŻ HYDRAULICZNY - POWROTNY	1
19	07005-10117	WĄŻ HYDRAULICZNY - ZACIĄGANIE	1
20	73430-02024	WKŁADKA ZACISKU	1
21	07003-00463	PIERŚCIEŃ USZCZELNIAJĄCY	2
22	07003-00452	USZCZELKA ZGARNIAJĄCA	1
23	07003-00461	PIERŚCIEŃ USZCZELNIAJĄCY	1
24	73434-02009	PRZEDNI PIERŚCIEŃ ŁOŻYSKA	1
25	07003-00451	USZCZELKA PRĘTA	1
26	07003-00453	USZCZELKA TŁOKA	1
27			
28			
29			
30	07003-00464	PIERŚCIEŃ USZCZELNIAJĄCY	1
31			
32			
33			
34	07003-00494	SPIRALNY PIERŚCIEŃ WYCOFUJĄCY	1
35	07007-02032	OPASKA ZACISKOWA	1
36	07003-00496	SPIRALNY PIERŚCIEŃ WYCOFUJĄCY	1
37	07005-10121	TULEJA OCHRONNA	0,6 m
38	07007-02104	USZCZELKA KABLA	1
39	73430-02008	WKŁADKA SPUSTU	1
40	73434-02012	ADAPTER TULEI ZACISKOWEJ	1
41	73434-02013	PRZETYCZKA BLOKUJĄCA	1
42	07001-00481	ŚRUBA USTALAJĄCA M5 X 5 SKT	1
-	07900-01022	INSTRUKCJA OBSŁUGI NARZĘDZIA AV30	1

7. DANE DOTYCZĄCE BEZPIECZEŃSTWA

7.1 KARTA CHARAKTERYSTYKI OLEJU HYDRAULICZNEGO ENERPAC® HF

PIERWSZA POMOC

SKÓRA:

Niskie ryzyko uszkodzenia skóry w razie krótkiej lub okazjonalnej styczności, ale przedłużona ekspozycja może prowadzić do zapalenia skóry. Umyć skórę dokładnie wodą z mydłem, jak najszybciej to możliwe, w rozsądnym zakresie. Usunąć silnie zanieczyszczoną odzież i umyć skórę pod spodem.

SPOŻYCIE:

Niskie ryzyko obrażeń ciała w razie przypadkowego połknięcia niewielkiej dawki, ale większe ilości mogą powodować nudności i biegunkę. W razie zanieczyszczenia ust dokładnie przepłukać je wodą. Z wyjątkiem działania z premedytacją, spożycie dużych ilości produktu jest mało prawdopodobne. Jeśli do niego dojdzie, nie wywoływać wymiotów i uzyskać pomoc lekarską. Przewieźć osobę do najbliższego szpitala.

OCZY:

Niskie ryzyko szkód większych niż przejściowe szczypanie lub zaczerwienienie w razie przypadkowej styczności z oczami. Przemyc oczy dokładnie dużą ilością wody, przytrzymując powieki otwarte. Uzyskać pomoc lekarską w przypadku pojawienia się lub utrzymywania się bólu lub zaczerwienienia.

PORADY MEDYCZNE:

Ogólnie rzecz biorąc, leczenie powinno być objawowe i nakierowane na złagodzenie wszelkich skutków.

Uwaga: Zastosowania wysokociśnieniowe:

Wtrysnięcie pod skórę, wynikające ze styczności z produktem pod wysokim ciśnieniem, stanowi poważne zagrożenie dla zdrowia wymagające natychmiastowej pomocy. Początkowo obrażenia mogą nie wyglądać na poważne, ale po kilku godzinach wystąpi spuchnięcie i odbarwienie tkanek, które jest skrajnie bolesne i połączone z martwicą tkanek podskórnych.

Konieczne jest niezwłoczne podjęcie zwiadowczej interwencji chirurgicznej. Dokładne i szeroko zakrojone opracowanie i oczyszczenie chirurgiczne rany oraz głębiej znajdujących się tkanek jest konieczne do minimalizacji zakresu utraty tkanek oraz zapobiegania lub ograniczenia trwałych szkód. Zwrócić uwagę, że wysokie ciśnienie może wyrzucać produkt na znaczne odległości wzdłuż płaszczyzn tkanek.

UTYLIZACJA

Usuwać rozlany olej obojętnym chemicznie materiałem chłonnym. Zapewnić wentylację miejsca wycieku. Umieścić zanieczyszczone materiały w jednorazowym pojemniku i zutylizować zgodnie z lokalnymi przepisami.

POŻAR

TEMPERATURA ZAPŁONU: 200°C.

Gasić z użyciem proszkowego środka gaśniczego, piany lub dwutlenku węgla. Nie wchodzić do ciasnych miejsc bez autonomicznego aparatu oddechowego.

OBCHODZENIE SIĘ

Używać kremu ochronnego lub rękawic olejodpornych.

PRZECHOWYWANIE

Pod osłoną i zgodnie z lokalnymi przepisami dla materiałów łatwopalnych.

7.2 KARTA CHARAKTERYSTYKI SMARU MOLYLITHIUM EP 3753

Smar może zostać zamówiony jako oddzielna pozycja, numer części jest zamieszczony w punkcie „Zestaw serwisowy” na stronie 112.

PIERWSZA POMOC

SKÓRA:

Ponieważ smar jest całkowicie wodoodporny, najlepiej usuwać go atestowanym emulgującym środkiem do czyszczenia skóry.

SPOŻYCIE:

Dopilnować, aby osoba, która spożyła smar, wypła 30 ml mleka magnezjowego, najlepiej zmieszanego z kubkiem mleka.

OCZY:

Działa drażniąco, ale nie jest szkodliwy. Przepłukać wodą i uzyskać pomoc lekarską.

POŻAR

TEMPERATURA ZAPŁONU: Powyżej 220°C.

Niesklasyfikowany jako palny.

Odpowiednie środki gaśnicze: CO₂, halon lub rozpylona woda stosowane przez doświadczonego operatora.

ŚRODOWISKO NATURALNE

Zebrać w celu spalenia lub utylizacji w odpowiednim zakładzie.

OBCHODZENIE SIĘ

Używać kremu ochronnego lub rękawic olejodpornych

PRZECHOWYWANIE

Z dala od gorąca i środków utleniających.

7.3 KARTA CHARAKTERYSTYKI SMARU MOLYKOTE® 111

Smar może zostać zamówiony jako oddzielna pozycja, numer części jest zamieszczony w punkcie „Zestaw serwisowy” na stronie 112.

PIERWSZA POMOC**SKÓRA:**

Zastosowanie środków pierwszej pomocy nie powinno być konieczne.

SPOŻYCIE:

Zastosowanie środków pierwszej pomocy nie powinno być konieczne.

OCZY:

Zastosowanie środków pierwszej pomocy nie powinno być konieczne.

WDYCHANIE:

Zastosowanie środków pierwszej pomocy nie powinno być konieczne.

POŻAR

TEMPERATURA ZAPŁONU: Powyżej 101,1°C. (zamknięty pojemnik)

Własności wybuchowe: Nie

Odpowiednie środki gaśnicze: Piana z dwutlenku węgla, proszek lub drobno rozpylona woda. Woda może być stosowana do chłodzenia pojemników narażonych na ogień.

ŚRODOWISKO NATURALNE

Nie przewiduje się negatywnego oddziaływania na środowisko.

OBCHODZENIE SIĘ

Zalecana jest ogólna wentylacja. Unikać styczności z oczami.

PRZECHOWYWANIE

Nie przechowywać razem ze środkami utleniającymi. Utrzymywać pojemnik zamknięty i przechowywać z dala od wody lub wilgoci.

8. DIAGNOSTYKA USTEREK

OBJAW	MOŻLIWA PRZYCZYNA	ROZWIĄZANIE	PATRZ STR.
Narzędzie nie działa	Niesprawna pompa	Sprawdzić zasilanie pompy i skorzystać z instrukcji obsługi pompy	
	Niesprawne szybkozłącza 10 i 11	Wymienić szybkozłącza	115
	Kabel sterowania spustem 14 nie podłączony prawidłowo	Sprawdzić, czy kabel sterowania spustem jest prawidłowo podłączony do pompy i do narzędzia	110
	Uszkodzony włącznik spustowy 7 lub kabel sterujący 14	Wymienić włącznik spustowy i/lub kabel sterujący	115
Włącznik spustowy 7 nie działa	Pompa w trybie lokalnym	Skorzystać z instrukcji obsługi pompy	
	Uszkodzony włącznik spustowy 7 , kabel sterujący 14 lub złącze	Wymienić włącznik spustowy i/lub kabel sterujący	115
Pompa pracuje, ale narzędzie nie działa	Węże hydrauliczne nie są podłączone	Sprawdzić prawidłowość podłączenia do pompy i do narzędzia	110
	Niski poziom oleju	Dopilnować, aby narzędzie było napełnione olejem i prawidłowo wstępnie napełnione i gotowe do pracy. Skorzystać z instrukcji obsługi pompy	110
	Zewnętrzny wyciek oleju z narzędzia	Sprawdzić narzędzie - wymienić zużyte lub uszkodzone komponenty	113 - 115
	Zewnętrzny wyciek oleju z zespołu węża	Sprawdzić zespół węża - dopilnować, aby połączenia węża były szczelne i/lub wymienić uszkodzone złącza węża	115
	Zewnętrzny/wewnętrzny wyciek oleju z pompy	Skorzystać z instrukcji obsługi pompy	
	Niskie lub nierówne ciśnienie hydrauliczne	Skorzystać z instrukcji obsługi pompy	
Narzędzie pracuje nierówno	Zużyte lub uszkodzone uszczelki hydrauliczne w narzędziu	Sprawdzić narzędzie - wymienić zużyte lub uszkodzone uszczelki	113 - 115
	Zużyte lub uszkodzone powierzchnie uszczelniające w narzędziu	Sprawdzić narzędzie - wymienić zużyte lub uszkodzone komponenty	113 - 115
	Zewnętrzny/wewnętrzny wyciek oleju z pompy	Skorzystać z instrukcji obsługi pompy	
	Wytrzymałość na łamanie przekracza wydajność narzędzia przy pełnym ciśnieniu	Skorzystać z danych technicznych narzędzia	107
Pompa generuje maksymalne ciśnienie, ale trzpień nie pęka	Dopływ do narzędzia zablokowany	Sprawdzić, czy szybkozłącza 10 i 11 są całkowicie podłączone	110
	Ustawiona za niska wartość zwalniania ciśnienia nadmiarowego pompy	Dostosować ustawienia zaworu nadmiarowego - skorzystać z instrukcji obsługi pompy	
	Rowki do zaciągania na odłamwanym trzpieniu elementu złącznego są zerwane	Patrz objaw na stronie 122	111
	Nieprawidłowa praca narzędzia		111

OBJAW	MOŻLIWA PRZYCZYNA	ROZWIĄZANIE	PATRZ STR.
Tłok narzędzia 1 nie powraca	Przepływ powrotny ograniczony lub zablokowany	Sprawdzić, czy szybkozłącza 10 i 11 są całkowicie podłączone i czy nie są uszkodzone	110
	Węże hydrauliczne nie są podłączone	Sprawdzić prawidłowość podłączenia do pompy i do narzędzia	110
	Awaria zaworu pompy	Skorzystać z instrukcji obsługi pompy	
Narzędzie nie wyrzuca kołnierza z kowadełka	Nieprawidłowe ustawienie timera powrotnego pompy - ustawiona za niska wartość	Dostosować ustawienia timera powrotnego - skorzystać z instrukcji obsługi pompy	
	Ustawiona za niska wartość dla zaworu nadmiarowego powrotnego pompy	Dostosować ustawienia powrotnego zaworu nadmiarowego - skorzystać z instrukcji obsługi pompy	
	Niskie lub nierówne ciśnienie hydrauliczne	Skorzystać z instrukcji obsługi pompy	
	Zużyte lub uszkodzone uszczelki hydrauliczne w narzędziu	Sprawdzić narzędzie - wymienić zużyte lub uszkodzone uszczelki	113 - 115
	Zużyte lub uszkodzone powierzchnie uszczelniające w narzędziu	Sprawdzić narzędzie - wymienić zużyte lub uszkodzone komponenty	113 - 115
Rowki do zaciągania na odłamywanym trzpieniu elementu złącznego są zrywane podczas instalacji	Zewnętrzny/wewnętrzny wyciek oleju z pompy	Skorzystać z instrukcji obsługi pompy	
	Operator nie wciska głowicy przedniej do końca na odłamywany trzpień elementu złącznego przed użyciem narzędzia	Przeszkolić operatora z zakresu prawidłowego sposobu instalacji	111
	Błędna długość elementu złącznego/chwyty	Użyć właściwego elementu złącznego	
	Zużyte lub uszkodzone segmenty szczęk	Sprawdzić i wymienić zestaw szczęk - skorzystać z karty danych osprzętu głowicy przedniej	111
	Resztki w segmentach szczęk i/lub rowkach odłamywanego trzpienia	Oczyścić segmenty szczęk - skorzystać z karty danych osprzętu głowicy przedniej	
	Nadmierny odstęp między blachami	Zmniejszyć odstęp między blachami	111
	Nieprawidłowa praca narzędzia		111
Kołnierz Avdelok® lub Avbolt® nie jest całkowicie wtłoczony	Zużyty kanał kowadełka	Sprawdzić i wymienić kowadełko - skorzystać z karty danych osprzętu głowicy przedniej	
Odłamany trzpień nie jest zwalniany z osprzętu głowicy przedniej	Błędny montaż osprzętu głowicy przedniej	Skorzystać z karty danych osprzętu głowicy przedniej	
Narzędzie i olej hydrauliczny robią się gorące	Przeszkody w przewodzie hydraulicznym	Sprawdzić hydrauliczne szybkozłącza 10 i 11 i wymienić w razie potrzeby	115
	Wysoka temperatura otoczenia		
Olej przecieka przez hydrauliczne szybkozłącza 10 i 11	Zużyty pierścień uszczelniający w korpusie szybkozłącza - wtyku 10	Wymienić pierścień uszczelniający i pierścień wycofujący szybkozłącza 10	115

Wszystkie numery oznaczone **pogrubioną** czcionką odnoszą się do ogólnego montażu i listy części na stronach 116, 117 i 118.

* Zestaw serwisowy na stronie 112.

9. DEKLARACJA ZGODNOŚCI WE

My, **Stanley Engineered Fastening, Stanley House, Works Road, Letchworth Garden City, Hertfordshire, SG6 1JY WIELKA BRYTANIA**, deklarujemy na własną odpowiedzialność, że produkt:

Opis: NARZĘDZIE HYDRAULICZNO-ELEKTRYCZNE AV30

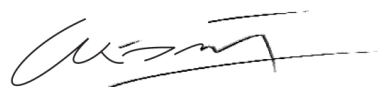
Model: NARZĘDZIE DO NITÓW STRUKTURALNYCH AV30 – 73434-02000

którego dotyczy niniejsza deklaracja, jest zgodny z następującymi normami zharmonizowanymi:

ISO 12100:2010	EN ISO 3744:2010
EN ISO 11202:2010	EN ISO 11148-1:2011
EN ISO 4413:2010	EN ISO 20643:2008+A1:2012
EN ISO 4414:2010	ES100118-rev 17:2017
EN ISO 28927-5:2009+A1:2015	

Dokumentacja techniczna została sporządzona zgodnie z punktem 1.7.4.1 Załącznika 1 następującej dyrektywy: **Dyrektywa maszynowa 2006/42/WE** (w Wielkiej Brytanii obowiązuje ustawa odnosząca się do tej dyrektywy: Statutory Instruments 2008 No 1597 - The Supply of Machinery (Safety) Regulations).

Niżej podpisany składa niniejszą deklarację w imieniu STANLEY Engineered Fastening



A. K. Seewraj

Director of Engineering, Wielka Brytania

Avdel UK Limited, Stanley House, Works Road, Letchworth Garden City, Hertfordshire,
SG6 1JY WIELKA BRYTANIA

Miejsce wydania: Letchworth Garden City, Wielka Brytania

Data wydania: 12-12-2011

Niżej podpisana osoba odpowiada za sporządzenie dokumentacji technicznej dla produktów sprzedawanych w Unii Europejskiej i składa tę deklarację w imieniu Stanley Engineered Fastening.

Matthias Appel

Team Leader Technical Documentation

Stanley Engineered Fastening, Tucker GmbH, Max-Eyth-Str.1,
35394 Gießen, Niemcy



Ta maszyna jest zgodna z
dyrektywą maszynową 2006/42/WE

10. DEKLARACJA ZGODNOŚCI DLA WLK. BRYT.

My, **Stanley Engineered Fastening, Stanley House, Works Road, Letchworth Garden City, Hertfordshire, SG6 1JY WIELKA BRYTANIA**, deklarujemy na własną odpowiedzialność, że produkt:

Opis: NARZĘDZIE HYDRAULICZNO-ELEKTRYCZNE AV30

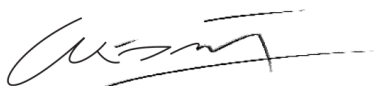
Model: NARZĘDZIE DO NITÓW STRUKTURALNYCH AV30 – 73434-02000

którego dotyczy niniejsza deklaracja, jest zgodny z następującymi normami zharmonizowanymi:

ISO 12100:2010	EN ISO 3744:2010
EN ISO 11202:2010	EN ISO 11148-1:2011
EN ISO 4413:2010	EN ISO 20643:2008+A1:2012
EN ISO 4414:2010	ES100118-rev 17:2017
EN ISO 28927-5:2009+A1:2015	

Dokumentacja techniczna została sporządzona zgodnie z ustawą Supply of Machinery (Safety) Regulations 2008, S.I. 2008/1597 (wraz ze zmianami).

Niżej podpisany składa niniejszą deklarację w imieniu STANLEY Engineered Fastening



A. K. Seewraj

Director of Engineering, Wielka Brytania

Avdel UK Limited, Stanley House, Works Road, Letchworth Garden City, Hertfordshire,
SG6 1JY WIELKA BRYTANIA

Miejsce wydania: Letchworth Garden City, Wielka Brytania

Data wydania: 12-12-2011



Ta maszyna jest zgodna z
ustawą Supply of Machinery (Safety) Regulations 2008,
S.I. 2008/1597 (wraz ze zmianami)

11. CHROŃ SWOJĄ INWESTYCJĘ!

Stanley® Engineered Fastening GWARANCJA NA NARZĘDZIE DO NITÓW ZRYWALNYCH

STANLEY® Engineered Fastening gwarantuje, że wszystkie narzędzia zostały wyprodukowane z należytą starannością i pozostaną wolne od wad materiałowych i wad wykonania w warunkach normalnego użytkowania i serwisowania przez okres jednego (1) roku.

Niniejsza gwarancja ma zastosowanie do pierwszego nabywcy narzędzia.

Wyjątki:

Normalne zużycie.

Konserwacja okresowa oraz naprawa i wymiana części spowodowane normalnym zużyciem nie są objęte gwarancją.

Użytkowanie niezgodnie z przeznaczeniem.

Uszkodzenia i usterki wynikające z błędnego użytkowania, przechowywania, użytkowania niezgodnie z przeznaczeniem, wypadku lub zaniedbania, jak np. uszkodzenia fizyczne, nie są objęte gwarancją.

Nieuprawnione serwisowanie lub modyfikacja.

Uszkodzenia lub usterki wynikające z serwisowania, próbnej regulacji, instalacji, konserwacji, jakichkolwiek zmian lub modyfikacji przeprowadzonych przez osobę inną niż pracownik STANLEY® Engineered Fastening lub pracownik autoryzowanego centrum serwisowego tej firmy nie są objęte gwarancją.

Wszelkie inne oświadczenia i zapewnienia, wyrażone lub domniemane, w tym gwarancje przydatności do sprzedaży lub do określonego celu są niniejszym wyłączone.

Jeśli wystąpi usterka podczas gwarancji, proszę niezwłocznie przekazać narzędzie do najbliższego autoryzowanego centrum serwisowego. Aby uzyskać listę autoryzowanych centrów obsługi STANLEY® Engineered Fastening w USA lub Kanadzie, proszę skontaktować się z nami pod bezpłatnym numerem (877)364 2781.

Poza USA i Kanadą proszę wejść na naszą stronę **www.StanleyEngineeredFastening.com**, aby odszukać najbliższe centrum obsługi STANLEY Engineered Fastening.

STANLEY Engineered Fastening następnie wymieni bezpłatnie każdą część lub wszystkie części, jakie uzna za wadliwe w wyniku wad materiałowych lub wykonania i zwróci narzędzie na własny koszt. Powyższe zobowiązanie stanowi jedyne zobowiązanie zgodnie z niniejszą gwarancją.

W żadnym wypadku STANLEY Engineered Fastening nie ponosi odpowiedzialności za żadne szkody następne ani szczególne wynikające z zakupu lub użytkowania tego narzędzia.

Zarejestruj swoją nitownicę w Internecie.

Aby zarejestrować swoją gwarancję w Internecie, odwiedź naszą witrynę
<https://www.stanleyengineeredfastening.com/support/warranty-registration-form>

Dziękujemy za wybranie narzędzia marki STANLEY® Engineered Fastening Stanley Assembly Technologies.

©2019 STANLEY Black & Decker Todos los derechos reservados.

Se prohíbe reproducir y/o publicar esta información en cualquier formato o medio (ni electrónico ni mecánico) sin la autorización previa por escrito de STANLEY Engineered Fastening. La información se proporciona en función de los datos conocidos en el momento de la presentación de este producto. STANLEY Engineered Fastening aplica una política de mejora continua de sus productos, por lo que estos están sujetos a modificaciones. La información facilitada es de aplicación al producto tal y como ha sido entregado por STANLEY Engineered Fastening. Por lo tanto, STANLEY Engineered Fastening no se responsabiliza de ningún daño derivado de las variaciones respecto de las especificaciones originales del producto.

Esta información ha sido elaborada con la máxima atención. No obstante, STANLEY Engineered Fastening no asumirá responsabilidad alguna en caso de errores de información o por las consecuencias que pudieran derivarse tales errores. STANLEY Engineered Fastening no asumirá responsabilidad alguna por los daños derivados de actividades efectuadas por terceros. Los nombres profesionales, los nombres comerciales, las marcas comerciales registradas, etc. utilizados por STANLEY Engineered Fastening no deben considerarse libres pues están sujetos a la legislación relativa a la protección de marcas comerciales.

ÍNDICE

1. DEFINICIONES DE SEGURIDAD	128
1.1 NORMAS DE SEGURIDAD GENERALES.....	128
1.2 PELIGRO DE PROYECCIÓN	128
1.3 PELIGROS DURANTE EL USO	129
1.4 PELIGROS POR MOVIMIENTOS REPETITIVOS	129
1.5 PELIGROS DE LOS ACCESORIOS	129
1.6 PELIGROS EN EL LUGAR DE TRABAJO	129
1.7 PELIGROS DE RUIDOS.....	130
1.8 PELIGROS DE VIBRACIONES.....	130
1.9 INSTRUCCIONES DE SEGURIDAD ADICIONALES PARA HERRAMIENTAS HIDRÁULICAS.....	130
2. ESPECIFICACIONES	131
2.1 USO PREVISTO.....	131
2.2 ESPECIFICACIONES DE HERRAMIENTAS	131
2.3 DIMENSIONES DE LA HERRAMIENTA	132
3. PUESTA EN SERVICIO	133
3.1 PRINCIPIO DE FUNCIONAMIENTO.....	133
3.2 PREPARACIÓN PARA EL USO	134
4. INSTRUCCIONES DE FUNCIONAMIENTO	135
4.1 CÓMO INSTALAR UN REMACHE AVBOLT®	135
4.2 CÓMO INSTALAR UN REMACHE AVDELOK® TX.....	135
5. MANTENIMIENTO DE LA HERRAMIENTA.....	136
5.1 MANTENIMIENTO DIARIO	136
5.2 MANTENIMIENTO SEMANAL.....	136
5.3 REVISIÓN ANUAL O CADA 150.000 OPERACIONES.....	136
5.4 KIT DE MANTENIMIENTO	136
5.5 HERRAMIENTAS DE MANTENIMIENTO	136
5.6 ACEITE HIDRÁULICO	136
5.7 INSTRUCCIONES DE DESMONTAJE	137
5.8 PROTECCIÓN DEL MEDIO AMBIENTE.....	140
6. BLOQUE GENERAL Y LISTA DE PIEZAS.....	141
6.1 BLOQUE GENERAL	141
6.2 LISTA DE PIEZAS.....	143
7. DATOS DE SEGURIDAD	144
7.1 DATOS DE SEGURIDAD - ACEITE HIDRÁULICO ENERPACE® HF	144
7.2 DATOS DE SEGURIDAD - GRASA MOLYLITHIUM EP 3753	144
7.3 DATOS DE SEGURIDAD - GRASA MOLYKOTE® 111.....	145
8. DIAGNÓSTICO DE ERRORES	146
9. DECLARACIÓN DE CONFORMIDAD CE	148
10. DECLARACIÓN DE CONFORMIDAD DEL REINO UNIDO.....	149
11. ¡PROTEJA SU INVERSIÓN!.....	150



Las personas que instalen o hagan funcionar la herramienta deberán leer el manual de instrucciones, prestando especial atención a las siguientes instrucciones y advertencias de seguridad.



Utilice siempre protección ocular resistente a los impactos cuando utilice la herramienta. El grado de protección requerido debe evaluarse para cada uso.



El uso de la herramienta puede exponer las manos del operador a peligros como aplastamiento, impactos, cortes, abrasiones o calor. Utilice guantes adecuados para protegerse las manos.



Utilice protecciones auditivas de acuerdo con las instrucciones de la empresa y tal y como lo exigen las normas de salud y seguridad laboral.

1. DEFINICIONES DE SEGURIDAD

Las siguientes definiciones describen el nivel de gravedad de cada palabra de señal. Lea el manual y preste atención a estos símbolos.



PELIGRO: Indica una situación de peligro inminente que, de no evitarse, podría ocasionar la muerte o una lesión grave.



ADVERTENCIA: Indica una situación potencialmente peligrosa que, de no evitarse, podría ocasionar la muerte o una lesión grave.



PRECAUCIÓN: Indica una situación potencialmente peligrosa que, de no evitarse, podría ocasionar una lesión moderada o leve.



PRECAUCIÓN: Usado sin el símbolo de alerta de seguridad, indica una situación potencialmente peligrosa que, de no evitarse, podría causar daños materiales.

El funcionamiento o el mantenimiento inadecuado de este producto podrían causar lesiones graves o daños materiales. Lea y comprenda todas las advertencias e instrucciones de funcionamiento antes de usar este dispositivo. Cuando utilice herramientas eléctricas, deberá tomar siempre todas las precauciones básicas de seguridad para reducir el riesgo de lesiones personales.

CONSERVE TODAS LAS ADVERTENCIAS E INSTRUCCIONES PARA FUTURAS CONSULTAS.

1.1 NORMAS DE SEGURIDAD GENERALES

- Para conocer los distintos peligros, lea y entienda las instrucciones de seguridad antes de instalar, utilizar, reparar, mantener o cambiar los accesorios de la herramienta o de trabajar cerca de ella. No hacerlo puede provocar lesiones corporales graves.
- Solo los operadores cualificados y capacitados deben instalar, ajustar o usar la herramienta.
- NO utilice la herramienta para fines distintos al previsto; es decir, la colocación de remaches ciegos de STANLEY Engineered Fastening.
- Use solamente piezas, remaches y accesorios recomendados por el fabricante.
- NO modifique la herramienta. Las modificaciones pueden reducir la eficacia de los mecanismos de seguridad y aumentar los riesgos para el operador. Si el cliente realiza cualquier modificación de la herramienta, asumirá toda la responsabilidad de la misma y quedarán anuladas todas las garantías aplicables.
- No tire las instrucciones de seguridad; entréguelas al operador.
- No utilice la herramienta si está dañada.
- Antes del uso, compruebe que no haya ninguna desalineación o bloqueo de las piezas móviles, rotura de piezas y cualquier otra condición que pudiera afectar al funcionamiento de la herramienta. Si la herramienta está dañada, hágala reparar antes de utilizarla. Extraiga las posibles llaves de ajuste antes del uso.
- Las herramientas deben revisarse periódicamente para comprobar que las clasificaciones y marcas exigidas por esta sección de la ISO 11148 sean legibles en la herramienta. Si faltan etiquetas, la empresa o el usuario solicitarán al fabricante otras de repuesto.
- La herramienta debe mantenerse siempre en condiciones de trabajo seguras, debe comprobarse a intervalos regulares que no presente daños y debe ser utilizada por personal capacitado. El procedimiento de desmontaje deberá ser realizado por personal capacitado. No desmonte esta herramienta sin consultar antes las instrucciones de mantenimiento.

1.2 PELIGRO DE PROYECCIÓN

- Desconecte la herramienta de la bomba hidráulica antes de realizar cualquier mantenimiento o intento de ajuste, o antes de colocar o extraer un conjunto de boquilla o un accesorio.

- Tenga en cuenta que un fallo en la pieza de trabajo o los accesorios, o incluso en la herramienta insertada, puede causar la proyección a alta velocidad.
- Utilice siempre protección ocular resistente a los impactos cuando utilice la herramienta. El grado de protección requerido debe evaluarse para cada uso.
- En este momento deben evaluarse también los riesgos para otras personas.
- Asegúrese de que la pieza de trabajo esté bien sujeta.
- Compruebe que los medios de protección contra la proyección de remaches y/o vástagos esté colocada y funcione.
- Advierta contra la posible proyección forzosa de los vástagos desde el frente de la herramienta.
- NO haga funcionar la herramienta dirigiéndola hacia ninguna persona.

1.3 PELIGROS DURANTE EL USO

- El uso de la herramienta puede exponer las manos del operador a peligros como aplastamiento, impactos, cortes, abrasiones o calor. Utilice guantes adecuados para protegerse las manos.
- Los operadores y el personal de mantenimiento deben estar capacitados físicamente para manipular el volumen, el peso y la potencia de la herramienta.
- Sostenga correctamente la herramienta. Esté preparado para contrarrestar los movimientos normales o repentinos y tenga ambas manos disponibles.
- Mantenga las manos secas, limpias y libres de aceite y grasa.
- Mantenga el cuerpo en una posición firme y equilibrada cuando utilice la herramienta.
- Suelte el dispositivo de arranque y de parada en caso de interrupción del suministro hidráulico.
- Utilice solo los lubricantes recomendados por el fabricante.
- Debe evitarse el contacto con el fluido hidráulico. Para minimizar la posibilidad de irritaciones, es necesario lavarse bien en caso de contacto.
- Previa petición, el proveedor de su herramienta puede proporcionarle las fichas de datos de seguridad de todos los aceites y lubricantes hidráulicos.
- Evite las malas posturas pues es probable que le impidan contrarrestar el movimiento normal o imprevisto de la herramienta.
- Si la herramienta está fijada a un dispositivo de suspensión, asegúrese de que la fijación sea segura.
- Tenga en cuenta el riesgo de aplastamiento o pinzamiento si el equipamiento de la boquilla no está colocado.
- NO haga funcionar la herramienta si no tiene la carcasa de la boquilla montada.
- Se requiere espacio suficiente para las manos del operador de la máquina antes de remachar.
- Cuando transporte la herramienta de un lugar a otro, mantenga las manos alejadas del gatillo, para evitar la activación involuntaria.
- NO utilice la herramienta indebidamente tirándola o usándola como martillo.
- Tome las medidas necesarias para asegurarse de que los vástagos usados no causen peligro.

1.4 PELIGROS POR MOVIMIENTOS REPETITIVOS

- Al utilizar la herramienta, es posible que el operador note molestias en las manos, los brazos, los hombros, el cuello u otras partes del cuerpo.
- Cuando utilice la herramienta, el operador debe mantener una postura cómoda, equilibrada y firme sobre el suelo, evitando las malas posturas o las posturas desequilibradas. Cambiar la postura del cuerpo durante las tareas prolongadas puede ayudar a evitar la incomodidad y la fatiga.
- Si el operador experimenta síntomas como molestias persistentes o recurrentes, dolor, palpitaciones, dolor vago, hormigueo, entumecimiento, ardores o rigidez, no debe ignorar estas señales de aviso. El operador deberá informar de inmediato a su empresa y consultar un profesional sanitario cualificado.

1.5 PELIGROS DE LOS ACCESORIOS

- Desconecte la herramienta del suministro hidráulico y eléctrico antes de instalar o quitar el conjunto de boquilla o el accesorio.
- Utilice solo accesorios y consumibles de los tipos y los tamaños recomendados por el fabricante de la herramienta; no utilice accesorios y consumibles de otros tipos y tamaños.

1.6 PELIGROS EN EL LUGAR DE TRABAJO

- Los resbalones, tropiezos y caídas son las principales causas de lesiones en el lugar de trabajo. Sea consciente de las superficies deslizantes provocadas por el uso de la herramienta y también de los peligros de tropiezo causados por el conducto de aire o la manguera hidráulica.

- Actúe con cuidado en los entornos que no le resulten familiares. Puede haber peligros ocultos como cables de electricidad u otras líneas de suministro.
- La herramienta no ha sido diseñada para ser usada en atmósferas potencialmente explosivas ni tiene aislamiento eléctrico.
- Asegúrese de que no haya cables eléctricos, tuberías de gas, etc., que puedan causar un peligro si resultan dañados por el uso de la herramienta.
- Utilice ropa adecuada. No lleve ropa suelta ni joyas. Mantenga el cabello, la ropa y los guantes alejados de las piezas móviles. La ropa suelta, las joyas y el pelo largo pueden quedar atrapados en las piezas móviles.
- Tome las medidas necesarias para asegurarse de que los vástagos usados no causen peligro.

1.7 PELIGROS DE RUIDOS

- La exposición a niveles elevados de ruido puede provocar problemas permanentes o incapacitantes, pérdida de audición y otros problemas como acúfenos (zumbidos o silbidos en los oídos). Por tanto, la evaluación de riesgos y la implementación de los controles adecuados para estos peligros son fundamentales.
- Los controles adecuados para reducir el riesgo pueden incluir medidas tales como materiales amortiguadores para evitar que las piezas de trabajo "suenen".
- Utilice protecciones auditivas de acuerdo con las instrucciones de la empresa y tal y como lo exigen las normas de salud y seguridad laboral.
- Para evitar un aumento innecesario del nivel de ruido, utilice y mantenga la herramienta como se recomienda en el manual de instrucciones.

1.8 PELIGROS DE VIBRACIONES

- La exposición a las vibraciones puede provocar daños incapacitantes a los nervios y a la irrigación sanguínea de las manos y los brazos.
- Utilice ropa abrigada cuando trabaje en lugares fríos y mantenga las manos calientes y secas.
- Si experimenta entumecimiento, hormigueo, dolor o palidez en los dedos o manos, deje de utilizar la herramienta, informe a su empleador y consulte a un médico.
- Siempre que sea posible, sostenga el peso de la herramienta con un soporte, tensor o equilibrador, así podrá aplicar un agarre más ligero sobre la herramienta.

1.9 INSTRUCCIONES DE SEGURIDAD ADICIONALES PARA HERRAMIENTAS HIDRÁULICAS

- El suministro hidráulico de trabajo no debe superar los 550 bar (8000 PSI).
- El aceite bajo presión puede causar lesiones graves.
- No coloque mangueras hidráulicas flexibles para presión de trabajo inferior a 700 bar (10.000 PSI) a una velocidad de caudal de 2.73 l/min (200 en 3/min).
- No deje nunca la herramienta en funcionamiento sin vigilancia. Desconecte la manguera hidráulica y el cable eléctrico de la bomba cuando la herramienta no esté en uso, antes de cambiar los accesorios o cuando realice reparaciones.
- Un latigazo de la manguera puede causar lesiones graves. Compruebe siempre si hay mangueras y accesorios dañados o sueltos.
- Antes del uso, inspeccione las mangueras hidráulicas para ver si están dañadas; todas las conexiones hidráulicas deben estar limpias, completamente conectadas y apretadas antes del funcionamiento. No deje caer objetos pesados sobre las mangueras. Los golpes bruscos pueden causar daños internos y fallos prematuros en la manguera.
- Siempre que se utilicen acoplamientos de torsión universales (acoplamientos de garra), se instalarán pasadores de bloqueo y se utilizarán cables de seguridad de protección contra latigazos para protegerse contra posibles errores de conexión de manguera a herramienta o de manguera a manguera.
- NO levante la herramienta de colocación sujetándola por la manguera ni por el cable eléctrico. Utilice siempre la empuñadura de la herramienta de colocación.
- NO haga un uso indebido de la herramienta arrojándola o usándola como un martillo. Use siempre la empuñadura de la bomba o el bastidor.
- NO deje que la abertura de la salida de aire del colector de vástagos mire hacia el operador o hacia otras personas.
- Use solo aceite y equipo de llenado limpios.
- Pueden utilizarse solo los fluidos hidráulicos recomendados.
- Las unidades accionadas a motor requieren un flujo libre de aire para enfriarse y, por lo tanto, deben colocarse en una zona bien ventilada y libre de humos peligrosos.
- La temperatura máxima del fluido hidráulico en la entrada es de 110 °C (230 °F).

STANLEY Engineered Fastening aplica una política de desarrollo y mejora continua de productos y se reserva el derecho de variar las especificaciones de todos sus productos sin previo aviso.

2. ESPECIFICACIONES

2.1 USO PREVISTO

La herramienta de colocación AV™ 30 es básicamente un bloque formado por un pistón y un cilindro. Cuando se conecta hidráulica y eléctricamente a una fuente de energía hidráulica compatible y se acopla el conjunto de boquilla correspondiente, permite instalar remaches Avdelok® XT de 1/2" a 5/8" y Avdelok® XT de 1/2 a 3/4" en entornos industriales.

La herramienta de instalación y la bomba hidráulica solo deben utilizarse siguiendo las instrucciones de instalación de remaches estructurales Stanley Engineered Fastening.

En la tabla siguiente encontrará una lista de los remaches compatibles y de la boquilla asociada.

Consulte las fichas técnicas que se indican en la tabla para ver las instrucciones sobre el bloque de boquilla correspondiente.

NO debe usarse en lugares húmedos ni en presencia de líquidos o gases inflamables.

REMACHE		BLOQUE DE BOQUILLA			BLOQUE DE BOQUILLA HOJA DE DATOS
TIPO	TAMAÑO	N.º REFERENCIA	DIM. 'A'	DIM. 'B'	N.º REFERENCIA
AVBOLT®	1/2"	73412-03600	113 mm	43 mm	07900-00905
	5/8"	73412-03400	113 mm	52 mm	07900-00905
AVDELOK® XT	1/2"	73412-03100	113 mm	43 mm	07900-00919
	5/8"	73412-03200	115 mm	48 mm	07900-00919
	3/4"	73412-03300	134 mm	56 mm	07900-00919

*Conjunto de boquilla con liberación de mordaza.

Consulte la ilustración de la página 132 para identificar las dimensiones 'A' y 'B' del conjunto de boquilla.

Siempre deberán seguirse las instrucciones de seguridad.

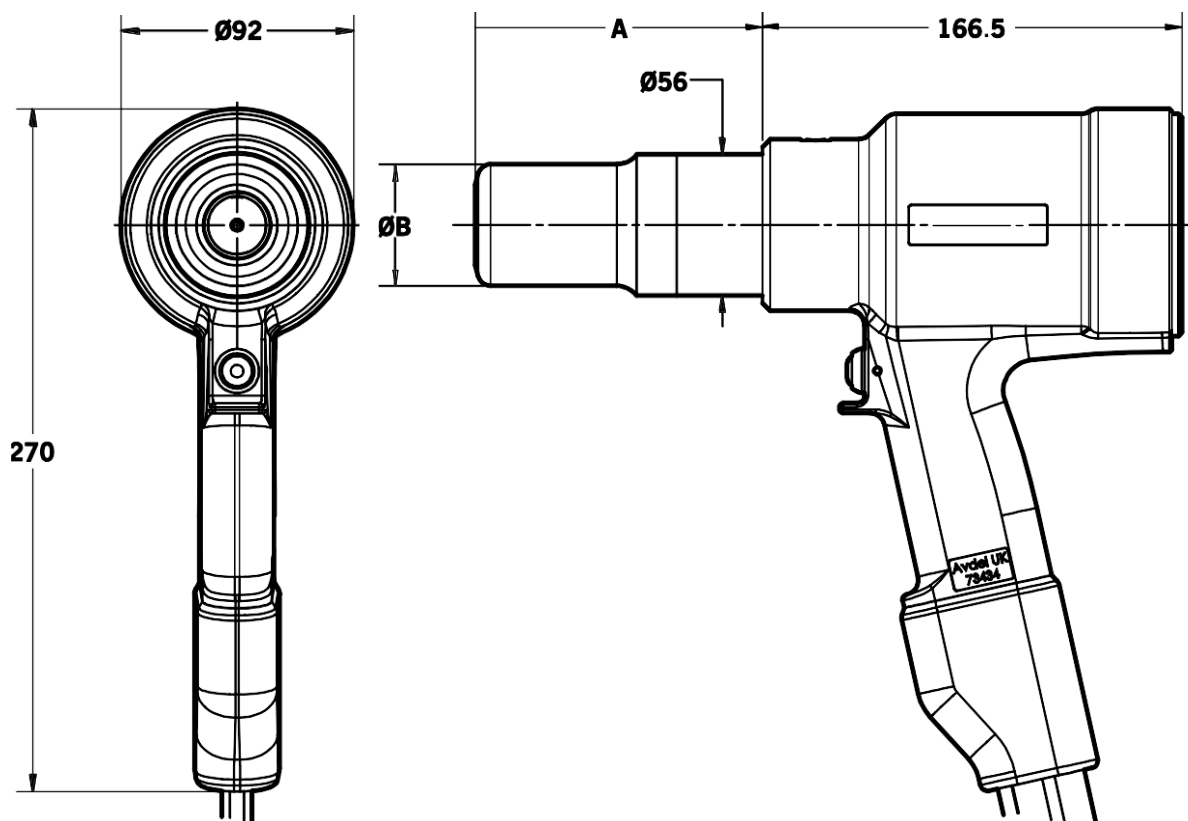
2.2 ESPECIFICACIONES DE HERRAMIENTAS

ESPECIFICACIONES		MÉTRICO	IMPERIAL
Fuerza:	Tracción a presión de tracción nom.	175.0 kN	39341,0 lbf
	Empuje a presión de retorno nom.	80,0 kN	17985,0 lbf
Presión:	Tracción	510 bar	7397 PSI
	Retorno	200 bar	2901 PSI
Carrera:	Carrera del pistón	41,0 mm	1,61 in
Peso:	Sin equipo de boquilla	6,9 kg	15,3 lb
Aceite hidráulico:	Aceite hidráulico Enerpac – HF-95X		
Gama de producto:	Avbolt®	12,7 a 15,9 mm	1/2 a 5/8 in
	Avdelok® XT	12,7 a 19,1 mm	1/2 a 3/4 in
Características adicionales:	Expulsión del vástago – Delantera o trasera	Frontal	
	Mecanismo de cierre	Juntas de labio y de fricción	
	Anillos hidráulicos cojinetes	Sí - frontal	
	Empuñadura protectora / Manguera Gator	Sí	
	Protección de manguera	Sí	
	Abrazaderas de retención de cable / manguera	Sí	

Valores de ruido determinados según el código de pruebas de ruido ISO 15744 y ISO 3744.		AV30
Nivel de presión acústica ponderado A, dB(A), L_{WA}	Incertidumbre de ruido: $k_{WA} = 3,0$ dB(A)	94.3 dB(A)
Nivel de presión acústica de emisión ponderado A en la estación de trabajo dB(A), L_{pA}	Incertidumbre de ruido: $k_{pA} = 3,0$ dB(A)	83.3 dB(A)
Nivel de presión acústica de emisión pico ponderado C dB(C), L_{pC} pico	Incertidumbre de ruido: $k_{pC} = 3,0$ dB(C)	128,1 dB(C)

Valores de vibración decididos según el código de pruebas de vibración de ISO 20643 y ISO 5349.		AV30
Nivel de emisión de vibraciones, a_{hd} :	Incertidumbre de vibración $k = 0,48$ m/s ²	0,952 m/s ²
Valores de emisión de vibraciones declarados de acuerdo con la norma EN 12096		

2.3 DIMENSIONES DE LA HERRAMIENTA



Todas las dimensiones se indican en milímetros.

Consulte la tabla de la página 131 para identificar las dimensiones 'A' y 'B' del conjunto de boquilla.

La herramienta está equipada con dos mangueras hidráulicas y un cable de control eléctrico de 0,6 m de longitud. Puede encargar por separado mangueras hidráulicas y cables de otras longitudes. En la tabla siguiente encontrará las longitudes de los juegos de mangueras disponibles y sus números de referencia.

JUEGO DE MANGUERA HIDRÁULICA	
N.º REFERENCIA	LONGITUD MANGUERA
07008-00448	5 metros
07008-00449	10 metros
07008-00450	15 metros

3. PUESTA EN SERVICIO

3.1 PRINCIPIO DE FUNCIONAMIENTO

IMPORTANTE: LEA ATENTAMENTE LAS INSTRUCCIONES DE SEGURIDAD DE LAS PÁGINAS 128 – 130 Y EL MANUAL DE USO DE LA BOMBA ANTES DE LA PUESTA EN SERVICIO.

Cuando se conectan las mangueras y el cable de control a la bomba hidráulica Avdel® / Enerpac®, los ciclos de tracción y retorno de la herramienta se controlan pulsando y soltando el gatillo situado en la empuñadura.

Al pulsar el interruptor, la válvula de solenoide situada en la bomba hidráulica recibe energía y dirige el flujo de aceite presurizado al lado de tracción del pistón de la herramienta de colocación. Esto también permite que el aceite del lado de retorno de la herramienta de colocación vuelva al depósito.

Durante el ciclo de tracción, el pistón o el bloque de la pinza se mueve hacia la parte trasera de la herramienta, permitiendo que la junta tórica que hace de almohadilla empuje el seguidor y las mordazas hacia delante. Si se ha insertado un vástago de remache en el bloque de la boquilla, la mordaza agarrará al extremo y comenzará a remachar.

En Avbolt® y Avdelok® XT el ciclo de instalación primero fija la junta y a continuación, a medida que el yunque sigue moviéndose hacia adelante, el collar se aloja en las ranuras de fijación del vástago. Terminado el ciclo de estampación, el yunque subirá contra la junta y, según continua el movimiento, se rompe el vástago.

El gatillo debe soltarse nada más producirse la rotura del vástago. Al soltar el gatillo, la válvula de solenoide deja de recibir energía y se invierte el flujo de aceite presurizado.

Si no se suelta el gatillo, el pistón de la herramienta de colocación seguirá moviéndose hacia la parte trasera de la herramienta hasta llegar al final de su recorrido. La presión en el lado de tracción se aumentará entonces hasta llegar al valor de 'Presión Alta' prefijado en la bomba. En este punto, la válvula de solenoide dejará de recibir energía e invertirá el flujo del aceite presurizado al lado de retorno de la herramienta de colocación.

En cualquier caso, el aceite presurizado fluirá ahora al lado de retorno de la herramienta de colocación, con el aceite del lado de tracción volviendo al depósito.

El movimiento hacia adelante del pistón o el bloque de la pinza expulsará el remache instalado del yunque.

Al soltar el gatillo o al alcanzar el valor de 'Presión Alta', la válvula de solenoide se desenergizará y activará un tiempo de retorno prefijado. Es el tiempo que el motor de la bomba seguirá funcionando antes de entrar en modo reposo. Este tiempo puede configurarse entre 5 y 20 segundos, y permite asegurarse de que el pistón de la herramienta de colocación siempre vuelva a la posición totalmente adelantada (consulte el manual de la bomba 07900-01030, páginas 10 y 13).

Cuando el pistón vuelve a la posición totalmente adelantada, la presión aumentará hasta el valor de baja presión prefijado: 200 bar. El motor de la bomba seguirá funcionando hasta que expire el tiempo de retorno. Transcurrido este periodo, el motor se detendrá automáticamente y la válvula entrará en modo reposo. A continuación, la válvula de solenoide iniciará el ciclo automático para liberar el aceite presurizado al depósito desde ambos lados (tracción y retorno) de la herramienta de colocación.

Esto mantiene la herramienta de colocación en posición adelantada. En este punto el sistema hidráulico no tendrá presión.

La bomba hidráulica se activará automáticamente al presionar el gatillo de la herramienta.

3.2 PREPARACIÓN PARA EL USO

PRECAUCIÓN: ES IMPORTANTE DISPONER DE LAS PRESIONES DE TRACCIÓN Y RETORNO ADECUADAS PARA EL CORRECTO FUNCIONAMIENTO DE LA HERRAMIENTA DE COLOCACIÓN. EN CASO DE UTILIZAR PRESIONES INCORRECTAS, PUEDEN OCURRIR LESIONES CORPORALES O DAÑOS AL EQUIPO. LAS PRESIONES DE TRACCIÓN Y RETORNO SUMINISTRADAS POR LA BOMBA HIDRÁULICA NO DEBEN EXCEDER LAS INDICADAS EN LAS ESPECIFICACIONES DE LA HERRAMIENTA DE COLOCACIÓN.

IMPORTANTE: ANTES DE PONER EN SERVICIO LA HERRAMIENTA DE COLOCACIÓN Y EL KIT DE LA MANGUERA HIDRÁULICA:

ASEGÚRESE DE QUE LAS VÁLVULAS DE DESCOMPRESIÓN DE LA BOMBA SE HAYAN AJUSTADO SIGUIENDO LAS INSTRUCCIONES DE LA BOMBA Y RESPETANDO LAS PRESIONES MÁXIMAS ESPECIFICADA PARA LA HERRAMIENTA DE COLOCACIÓN Y LAS MANGUERAS.

ASEGÚRESE DE CEBAR EL KIT DE LA MANGUERA CON FLUIDO HIDRÁULICO SIGUIENDO EL PROCEDIMIENTO QUE SE EXPLICA EN EL MANUAL DE INSTRUCCIONES DE LA BOMBA 07900-01030.

- Compruebe que el suministro eléctrico de la bomba hidráulica está desconectado.
- Antes de enchufar el cable de control, conecte los acopladores rápidos de la manguera hidráulica de la herramienta de colocación directamente a la bomba. Las mangueras y el cable de control deben conectarse en este orden y desconectarse en orden inverso.
- Active el suministro eléctrico de la bomba hidráulica. Espere 5 segundos a que la bomba complete la secuencia de inicio, antes de pulsar el gatillo. Cuando todo esté listo, la pantalla LCD de la bomba mostrará 'AVDEL'.
- Durante la secuencia de inicio, el sistema de control de la bomba identifica cualquier movimiento del gatillo como un fallo potencial e impide el arranque del motor. En este caso, la pantalla LCD mostrará la frase 'BUTTON FAULT' (fallo de botón). Haga un reset desconectando el suministro eléctrico durante 10 segundos.
- Asegúrese de colocar la herramienta de colocación debajo de los depósitos de la bomba. Presione y suelte el gatillo de la herramienta de colocación varias veces hasta casi todo el recorrido para hacer circular el fluido hidráulico y expulsar el aire que pueda contener la herramienta.
- Observe el funcionamiento de la herramienta. Compruebe que no haya pérdidas de líquido y que, en el modo reposo, el pistón esté en la posición totalmente adelantada. La herramienta de colocación estará entonces cebada.
- Desconecte el suministro eléctrico de la bomba y a continuación desconecte la herramienta de colocación de la bomba en el orden inverso al descrito arriba.
- Ahora conecte la herramienta de colocación al kit de manguera cebado con líquido hidráulico y al cable de control eléctrico. Después conecte los acopladores rápidos del kit de manguera hidráulica y el cable de control eléctrico a la bomba.
- Acople el bloque de la boquilla en la herramienta siguiendo las instrucciones de la ficha técnica del bloque que utilice.
- Conecte el suministro eléctrico de la bomba hidráulica como se explica arriba.
- Pulse y suelte el gatillo de la herramienta de colocación varias veces hasta casi todo el recorrido para hacer circular el fluido hidráulico.
- La herramienta está ahora lista para usar.

4. INSTRUCCIONES DE FUNCIONAMIENTO

4.1 CÓMO INSTALAR UN REMACHE AVBOLT®

- Compruebe el trabajo y quite el exceso de hueco. (El hueco es el espacio entre los componentes de la junta. El hueco será excesivo si no sobresale suficiente extremo del vástago por el collar para que las mordazas del bloque de boquilla puedan agarrarlo).
- Inserte el remache Avbolt® en el orificio.
- Empuje el bloque de boquilla contra el vástago hasta que el yunque del bloque se detenga contra el collar. Mantenga la herramienta y el bloque de boquilla a ángulos rectos (90°) del trabajo.
- Presione el gatillo de la herramienta para empezar el ciclo de instalación.
- Cuando el movimiento hacia adelante de la boca del bloque de boquilla se detenga y se rompa el extremo del vástago, suelte el gatillo. La herramienta entrará en su recorrido de retorno y empujará el remache instalado. Al final de la carrera de retorno, las mordazas liberan parcialmente el vástago, que puede extraerse retirando la boquilla de la herramienta hacia abajo.
- Una vez instalado el remache, la herramienta y el bloque de boquilla están listos para la siguiente instalación.

4.2 CÓMO INSTALAR UN REMACHE AVDELOK® TX

- Compruebe el trabajo y quite el exceso de hueco. (El hueco es el espacio entre los componentes de la junta. El hueco será excesivo si no sobresale suficiente extremo del vástago por el collar para que las mordazas del bloque de boquilla puedan agarrarlo).
- Inserte el remache Avdelok® XT en el orificio.
- Deslice el collarín Avdelok® XT sobre el pasador. (el extremo biselado del collar debe mirar hacia el conjunto de la boquilla y la herramienta).
- Empuje el bloque de boquilla contra el vástago hasta que el yunque del bloque se detenga contra el collar. Mantenga la herramienta y el bloque de boquilla a ángulos rectos (90°) del trabajo.
- Presione el gatillo de la herramienta para empezar el ciclo de instalación.
- Cuando el movimiento hacia adelante de la boca del bloque de boquilla se detenga y se rompa el extremo del vástago, suelte el gatillo. La herramienta entrará en su recorrido de retorno y empujará el remache instalado. Al final de la carrera de retorno, las mordazas liberan parcialmente el vástago, que puede extraerse retirando la boquilla de la herramienta hacia abajo.
- Una vez instalado el remache, la herramienta y el bloque de boquilla están listos para la siguiente instalación.

PRECAUCIÓN: NO INTENTE ROMPER EL EXTREMO DEL VÁSTAGO SIN INSTALAR EL COLLARÍN, DE LO CONTRARIO HARÍA QUE LA PARTE NO PROTEGIDA DE LA COLA DEL AVDELOK® O AVBOLT® SALIERA EXPULSADA DE LA BOQUILLA CON GRAN VELOCIDAD Y FUERZA.

5. MANTENIMIENTO DE LA HERRAMIENTA

IMPORTANTE - LEA LAS INSTRUCCIONES DE SEGURIDAD DE LAS PÁGINAS 128 - 130. EL EMPLEADOR ES RESPONSABLE DE GARANTIZAR QUE LAS INSTRUCCIONES RELATIVAS AL MANTENIMIENTO DE LA HERRAMIENTA SE COMUNIQUEN AL PERSONAL CORRESPONDIENTE. EL OPERADOR NO DEBERÁ PARTICIPAR EN EL MANTENIMIENTO NI LA REPARACIÓN DE LA HERRAMIENTA, A MENOS QUE HAYA RECIBIDO LA FORMACIÓN ADECUADA. LA HERRAMIENTA DEBERÁ REVISARSE PERIÓDICAMENTE PARA DETECTAR DAÑOS Y MAL FUNCIONAMIENTO.

5.1 MANTENIMIENTO DIARIO

- Compruebe que la herramienta de colocación, las mangueras y los acopladores rápidos no presentan fugas de aceite.
- Cambie las mangueras y los acoplamientos desgastados o dañados.
- Compruebe que la carrera de la herramienta respete la especificación.
- Compruebe que el deflector del vástago está instalado.
- Compruebe que la válvula de descompresión tracción / avance de la bomba funciona correctamente.
- Compruebe que la boca no esté desgastada, lo indica la presencia de estrías en el collar instalado. También puede confirmarlo mirando la imagen del remache instalado en el catálogo. Un desgaste excesivo puede causar la rotura del yunque.

5.2 MANTENIMIENTO SEMANAL

- Desmantele y limpie el bloque de boquilla, sobre todo las mordazas, como se describe en la ficha técnica del bloque de boquilla correspondiente.
- Compruebe que la herramienta de colocación, las mangueras y los acopladores rápidos no presentan fugas de aceite

PRECAUCIÓN: jamás use disolventes u otros productos químicos fuertes para limpiar las piezas no metálicas de la herramienta. Dichos productos químicos pueden debilitar los materiales con los que están fabricadas estas piezas.

5.3 REVISIÓN ANUAL O CADA 150.000 OPERACIONES

- Cada 150.000 ciclos la herramienta debe desmontarse totalmente y las piezas que estén desgastadas o dañadas deben sustituirse o tratarse como se recomienda. Antes del montaje, todas las juntas tóricas, anillos de apoyo y juntas deben renovarse y lubricarse con grasa MolyKote® 111.

5.4 KIT DE MANTENIMIENTO

Para una puesta a punto completa, dispone del siguiente kit de mantenimiento:

KIT DE MANTENIMIENTO: 73432-99990			
N.º REFERENCIA	DESCRIPCIÓN	N.º REFERENCIA	DESCRIPCIÓN
07005-10118	Acoplador rápido: macho	07900-00972	Varilla guía del prensaestopa delantero AV30
07005-10120	Acoplador rápido: hembra	07900-00963	Manguito guía del pistón AV30
07900-00958	Cuerpo herramienta tapón	07992-00020	Grasa: MolyLithium EP3753
07900-00969	Manguito de sellado de pistón AV30	07900-00755	Grasa: Molykote® 111
07900-00970	Émbolo de sello del pistón AV30	07900-00756	Fijador de roscas Loctite® 243
07900-00971	Cápsula pistón AV30 - delantera		

5.5 HERRAMIENTAS DE MANTENIMIENTO

También se necesitan las siguientes herramientas estándar:

- Llave allen: 2,0 / 3,0 mm
- Llave plana de extremo abierto: 12 / 14 / 18 / 24 / 45 mm A/F
- Cinta PTFE: 10 mm
- Tornillo de banco con protecciones de mordaza – 150 mm

5.6 ACEITE HIDRÁULICO

PRECAUCIÓN– Use solo aceite hidráulico Enerpac® HF. El uso de cualquier otro aceite puede causar el mal funcionamiento de la herramienta de colocación y de la bomba, y anulará la garantía de la herramienta de colocación.

Puede encargar aceite hidráulico con los siguientes números de referencia.

ACEITE HIDRÁULICO			
N.º REFERENCIA	07992-00081	07992-00082	07992-00083
Número de referencia Enerpac®	HF-95X	HF-95Y	HF-95T
Volumen	1 litro	5 litros	20 litros
Viscosidad	32 mm ² /s	32 mm ² /s	32 mm ² /s

5.7 INSTRUCCIONES DE DESMONTAJE

IMPORTANTE: ASEGÚRESE DE DESCONECTAR EL SUMINISTRO ELÉCTRICO DE LA BOMBA HIDRÁULICA ANTES DE EXTRAER EL BLOQUE DE BOQUILLA O DE DESMONTAR LA HERRAMIENTA DE COLOCACIÓN.

Antes del desmontaje:

- Desconecte los acopladores rápidos **10** y **11** y el cable de control eléctrico **14** entre la herramienta de colocación y el bloque de la manguera hidráulica.
- Extraiga el bloque de la boquilla de la herramienta de colocación siguiendo las instrucciones de la ficha técnica del bloque que utilice.
- Las sustancias potencialmente peligrosas que pudiesen haberse depositado en la máquina durante los procesos de trabajo deben ser eliminadas antes de efectuar el mantenimiento.

Para un mantenimiento completo de la herramienta, recomendamos desmontarla en el orden que se muestra en las páginas 137 a 140. Después de desmontar la herramienta, recomendamos cambiar todas las juntas.

Bloque del cilindro del pistón:

- Con un destornillador plano pequeño, quite el pasador **41** del adaptador de pinza **40**.
- Desenrosque y quite el adaptador de pinza **40** del pistón **1**.
- Fije la empuñadura de la herramienta en un tornillo de banco con mordazas suaves de modo que la boquilla de la herramienta mire hacia abajo.
- Conecte el *acoplador rápido macho de repuesto al acoplador rápido hembra **11** en la manguera hidráulica - lado de retorno **18**. Al hacerlo se liberará la presión que haya en el lado de retorno del pistón **1** y será más fácil extraer el tapón **17**.
- Inserte el cuerpo de la herramienta de montaje de tapón en el tapón **17**.
- Con una llave A/F de 24 mm, desenrosque y extraiga el tapón **17** del cuerpo **2**.
- Con un destornillador plano pequeño y plano, extraiga la junta tórica **21** del tapón **17** y deséchela.
- Con un destornillador plano pequeño u otra herramienta similar, extraiga la junta tórica **30** y el anillo de apoyo de espiral **36** de la ranura externa del tapón **17** y deséchelos. Cuando extraiga las juntas, tenga cuidado de no dañar la superficie del tapón con el destornillador.
- Extraiga la herramienta de colocación del tornillo de banco y vacíe el aceite hidráulico de la parte trasera de la herramienta. Separe el nuevo *acoplador rápido - macho del acoplador rápido - hembra **11**.
- Conecte el nuevo *acoplador rápido hembra al acoplador rápido macho **10** en la manguera hidráulica, lado de tracción **19**. Al hacerlo se liberará la presión que haya en el lado de tracción del pistón **1** y será más fácil extraer el pistón **1**.
- Enrosque la *cápsula del pistón delantera en la parte frontal del pistón **1**.
- Coloque el cuerpo **2** en un banco con la punta para arriba. A continuación, utilizando una maza blanda, dé golpecitos al pistón **1** hacia la parte trasera del cuerpo y fuera del extremo trasero, teniendo cuidado de no dañar el agujero del cuerpo.
- Tenga en cuenta que, al sacar el pistón **1**, el aceite del lado de tracción del pistón saldrá por la parte delantera y trasera del cuerpo **2**.
- Al extraer el pistón **1**, el prensaestopa de sello delantero **15** puede quedar retenido en el eje del pistón. Si esto ocurre, afloje la *cápsula del pistón delantera y tire del prensaestopa de sello delantero para extraerla del pistón.
- El sello del pistón **26** es un precinto de 2 piezas formado por un anillo de sellado exterior y una junta tórica interior. Con un cuchillo pequeño, corte a través del anillo de sellado exterior y retírelo de la ranura exterior del pistón **1**. Luego, con

Todos los números en **negrita** se refieren a Bloque general y Lista de piezas de las páginas 141, 142y 143.

* Kit de mantenimiento de la página 136.

un destornillador plano pequeño, retire la junta tórica interior del pistón y deséchela. Cuando extraiga los precintos, tenga cuidado de no dañar la superficie del pistón.

- Si el prensaestopa de sello delantero **15** sigue retenido en el cuerpo **2**. Coloque el cuerpo en un banco con la punta para arriba y a continuación empuje el prensaestopa de sello delantero desde delante hasta liberarlo del hueco del cuerpo. Ahora puede extraer el prensaestopa de sello delantero del extremo trasero del cuerpo. Al hacerlo, tenga cuidado de no dañar el orificio del cuerpo.
- Con un destornillador plano pequeño, extraiga la junta tórica **23** y el anillo de apoyo espiral **34** de la ranura externa del prensaestopa de sello delantero **15** y deséchelos. Cuando extraiga las juntas, tenga cuidado de no dañar la superficie del prensaestopa de sello delantero con el destornillador.
- Extraiga la junta del vástago **25** y la junta de fricción **22** de las ranuras internas del prensaestopa de sello delantero **15** y deséchelas. Cuando extraiga las juntas, tenga cuidado de no dañar la superficie del prensaestopa de sello delantero con el destornillador.
- Extraiga el anillo del cojinete delantero **24** y compruebe que la pieza no esté dañada ni desgastada. Deséchela si es necesario.
- Con un destornillador pequeño y plano, extraiga la junta tórica **21** del cuerpo **2** y deséchela.
- Quite el nuevo *acoplador rápido hembra del acoplador rápido macho 10 en la manguera hidráulica, lado de tracción **19**.
- No quite el tornillo de fijación **42** del cuerpo **2**.

Realice el montaje en orden inverso, teniendo en cuenta las siguientes indicaciones:

- Limpie todos los componentes antes del montaje.
- Para facilitar el montaje de las juntas, aplique una ligera capa de grasa Molykote® 111 en todas las juntas, ranuras de juntas, anillos de apoyo y herramientas de montaje.
- Deslice la junta tórica **23** sobre el prensaestopa de sello delantero **15** y dentro de la ranura externa. Inserte el anillo de apoyo espiral **34** en la misma ranura, delante de la junta tórica instalada. Para ver la orientación correcta de la junta tórica y del anillo de apoyo de espiral, consulte Bloque general y Lista de piezas.
- Presione el anillo del cojinete delantero **24** en el hueco interno del prensaestopa de la junta delantera **15** y después instale la junta del vástago **25** detrás del anillo de cojinete delantero. Instale la junta de fricción **22** en el hueco delantero del prensaestopa de sello delantero. Consulte el apartado Bloque general para asegurarse de la correcta orientación de la junta del vástago y de la junta de fricción.
- Con grasa Molykote® 111, lubrique la superficie y el borde delantero del orificio del cuerpo **2** en el que va a instalar el prensaestopa de sello delantero **15**.
- Lubrique la espiga de la herramienta en el vástago guía del prensaestopa de sello delantero y a continuación inserte el prensaestopa de sello delantero **15**, con el extremo de la junta del vástago **25** totalmente sobre la espiga. Inserte el *vástago guía del prensaestopa delantero en la parte trasera del cuerpo **2** y empuje el prensaestopa de sello delantero totalmente en el orificio del cuerpo. Para insertar el prensaestopa de sello delantero en el cuerpo se requiere una fuerza razonable, por ello es posible que necesite una prensa o un tornillo de banco. Extraiga un *vástago guía del prensaestopa delantero mientras se asegura que el prensaestopa de sello delantero.
- Con grasa Molykote® 111, lubrique la junta del sello y el diámetro exterior más grande del pistón **1**. Deslice la junta del pistón **26** sobre la parte delantera del diámetro más grande del pistón y dentro de la ranura de la junta.
- Atornille la *cápsula del pistón -frente- en el pistón **1**. Coloque el *manguito del sello del pistón sobre el eje del pistón y luego coloque el anillo de sellado exterior desde el sello del pistón **26** sobre el *manguito del sello del pistón para que quede apoyado sobre el diámetro cónico. Lubrique la superficie del *manguito del sello del pistón con grasa Molykote® 111.
- Coloque el *émbolo de sello del pistón sobre el eje del pistón **1** y el *manguito de sello del pistón para que el extremo abierto del *émbolo de sello del pistón quede apoyado sobre la junta de sello exterior del sello del pistón **26**. Con el *émbolo de sello del pistón, empuje el anillo de sello exterior sobre el *manguito de sello del pistón y la ranura del sello del pistón. Se necesita una fuerza considerable para expandir e insertar el anillo de sellado exterior en el pistón, por lo que es posible que necesite una prensa o un tornillo de banco.
- Retire el *émbolo de sello del pistón y el *manguito de sello del pistón del pistón **1**. Con Molykote® 111, lubrique la *cápsula del pistón delantera, el eje del pistón y la junta del pistón **26**.
- Atornille el *manguito guía del pistón totalmente en la parte trasera del cuerpo **2**. Con grasa Molykote® 111, lubrique los orificios en el cuerpo y el manguito guía del pistón*.
- Conecte el nuevo *acoplador rápido hembra al acoplador rápido macho **10** en la manguera hidráulica, lado de tracción **19**. De esta forma permitirá que se libere el aire del lado de tracción del pistón **1** al insertar el pistón.

Todos los números en **negrita** se refieren a Bloque general y Lista de piezas de las páginas 141, 142 y 143.

* Kit de mantenimiento de la página 136.

- Inserte el pistón montado **1** en la parte trasera del cuerpo **2** y a través del prensaestopa de sello delantero ya montado **15**. Empuje el pistón a la posición totalmente adelantada hasta que se detenga contra el prensaestopa de sello delantero. Saldrá aceite hidráulico de la manguera hidráulica, lado de tracción **19**. Para insertar el pistón en el cuerpo se requiere una fuerza razonable, por ello que necesitar una prensa o un tornillo de banco.
- Quite el nuevo *acoplador rápido hembra del acoplador rápido macho **10** en la manguera hidráulica, lado de tracción **19**. Extraiga el *manguito guía del pistón de la parte trasera del cuerpo **2**.
- Deslice la junta tórica **30** sobre el tapón **17** y hacia dentro de la ranura externa. Inserte el anillo de apoyo espiral **36** en la misma ranura, detrás de la junta tórica instalada. Para ver la orientación correcta de la junta tórica y del anillo de apoyo de espiral, consulte Bloque general y Lista de piezas.
- Presione el anillo de cojinete trasero **29** en el hueco interno del prensaestopa de sello trasero **16** y después instale la junta del vástago **28** detrás del anillo de cojinete trasero. Instale la junta de fricción **31** en el hueco trasero del prensaestopa de sello trasero. Consulte el apartado Bloque general para asegurarse de la correcta orientación de la junta del vástago y de la junta de fricción.
- Fije la empuñadura de la herramienta en un tornillo de banco con mordazas suaves de modo que la boquilla de la herramienta mire hacia abajo.
- Con grasa Molykote® 111, lubrique la superficie y el borde delantero del orificio del cuerpo **2** en el que va a instalar el prensaestopa de sello delantero **16**.
- Llene la parte trasera del cuerpo **2** con el aceite hidráulico Enerpac® HF. El nivel de aceite debe quedar justo encima del orificio de entrada trasera del cuerpo.
- Conecte el nuevo *acoplador rápido macho al acoplador rápido hembra **11** en la manguera hidráulica– lado de retorno **18**. De esta forma permitirá que el aire se libere del lado de retorno del pistón **1** al insertar el tapón **17**.
- Lubrique la rosca interna del cuerpo **2** y la rosca externa del tapón **17** con grasa MolyLithium.
- Inserte el tapón **17** en la parte trasera del cuerpo **2**, teniendo cuidado de no dañar la junta tórica **30** ni el anillo de apoyo de espiral **36** de las roscas del cuerpo. Atornille el tapón **17** totalmente en la parte trasera del cuerpo con la *herramienta de montaje de tapones. Al hacerlo, una pequeña cantidad de aceite saldrá de la manguera hidráulica, lado de retorno **18**.
- Extraiga el nuevo *acoplador rápido macho del acoplador rápido hembra **11** en la manguera hidráulica, lado de retorno **18**.
- Enrosque el adaptador de pinza **40** del pistón **1** hasta que la cara frontal quede nivelada con el extremo del pistón. Alinee el orificio en el adaptador de pinza con la ranura del extremo del pistón y después inserte el pasador de bloqueo **41**.
- Cebe la herramienta de colocación como se describe en la sección Preparación para el uso de la página 134.

Conjunto de boquilla:

- Con una llave Allen de 3,0 mm, extraiga los dos tornillos **9** de la pinza de la manguera **13**. Extraiga la pinza de la manguera y el inserto de la pinza **20** del manguito protector **37** y de las mangueras hidráulicas, lado retorno **18** y lado tracción **19**.
- Con un pequeño destornillador plano, extraiga la empuñadura Gator **8** de la empuñadura del cuerpo **2**. Tire de la empuñadura Gator sobre el manguito protector **37**, las mangueras hidráulicas, lado de retorno **18** y de tracción **19**, y extráigala.
- Corte el sujetacables **35** y vuelva a deslizar el manguito protector **37** para exponer los racores de las mangueras hidráulicas **18** y **19**. Las mangueras hidráulicas pueden separarse del cuerpo **2** con las llaves de 12 mm y 14 mm.
- Los acopladores rápidos (macho **10** y hembra **11** pueden extraerse de las mangueras hidráulicas **18** y **19**, usando llaves de 18 mm y de 24 mm.
- Para sacar el interruptor de gatillo **7**, primero afloje el casquillo de paso del cable **38**, para que el cable de control **14** quede libre y se mueva con el cuerpo **2**. Después, afloje el tornillo de fijación M4 **12** usando una llave Allen de 2.0 mm.
- Empuje el cable de control **14** en el cuerpo **2** y tire simultáneamente el gatillo **7** hacia fuera del cuerpo para dejar expuestas las juntas soldadas de los terminales del interruptor de gatillo. Desuelde los terminales para retirar el interruptor de gatillo y el inserto de disparo **39**. El inserto de disparo está unido al interruptor de gatillo y no se puede quitar.
- Ahora puede retirar el cable de control **14** del cuerpo **2** y sacarlo del manguito protector **37**.

Realice el montaje en orden inverso, teniendo en cuenta las siguientes indicaciones:

- Antes del montaje, limpie todas las roscas de los acopladores rápidos (macho **10** y hembra **11**) y de las mangueras hidráulicas, lados de retorno **18** y de tracción **19**. A continuación aplique dos o tres capas de cinta de PTFE de 10 mm en las roscas macho de las dos mangueras hidráulicas.

Todos los números en **negrita** se refieren a Bloque general y Lista de piezas de las páginas 141, 142 y 143.

* Kit de mantenimiento de la página 136.

- Cuando coloque el interruptor de gatillo **7** aplique *Loctite® 243 en la rosca macho del interruptor de gatillo antes de montar el inserto del gatillo **39**.
- Aplique *Loctite® 243 en el tornillo de fijación M4 **12** antes del montaje.
- Una vez hecho el montaje, cebe la herramienta como se indica en las instrucciones de la página 134.

5.8 PROTECCIÓN DEL MEDIO AMBIENTE

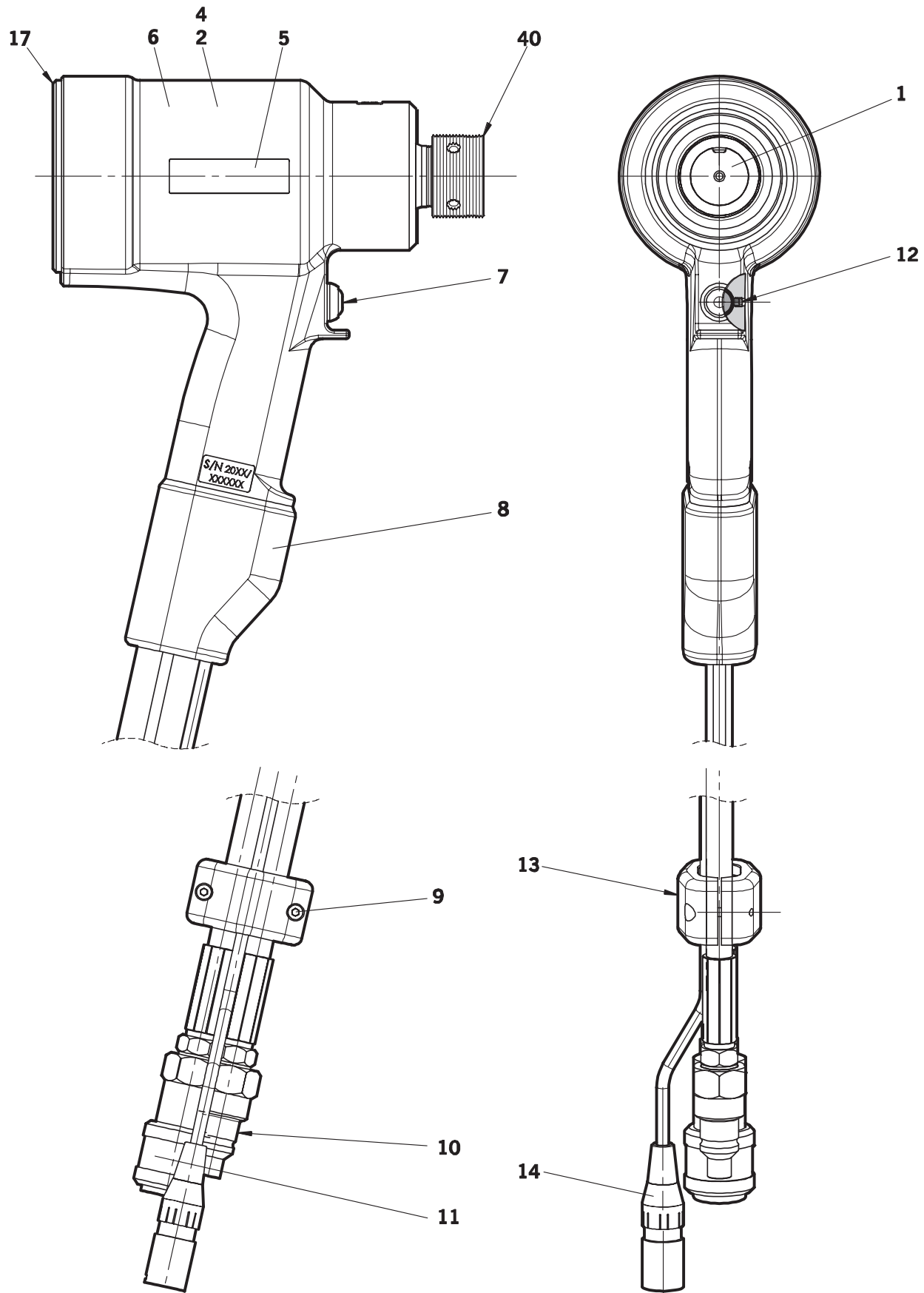
- Compruebe la conformidad con las normas de eliminación aplicables. Para no poner en peligro al personal ni al medio ambiente, deseche todos los productos de desecho en una instalación o punto limpio aprobado.

Todos los números en **negrita** se refieren a Bloque general y Lista de piezas de las páginas 141, 142 y 143.

* Kit de mantenimiento de la página 136.

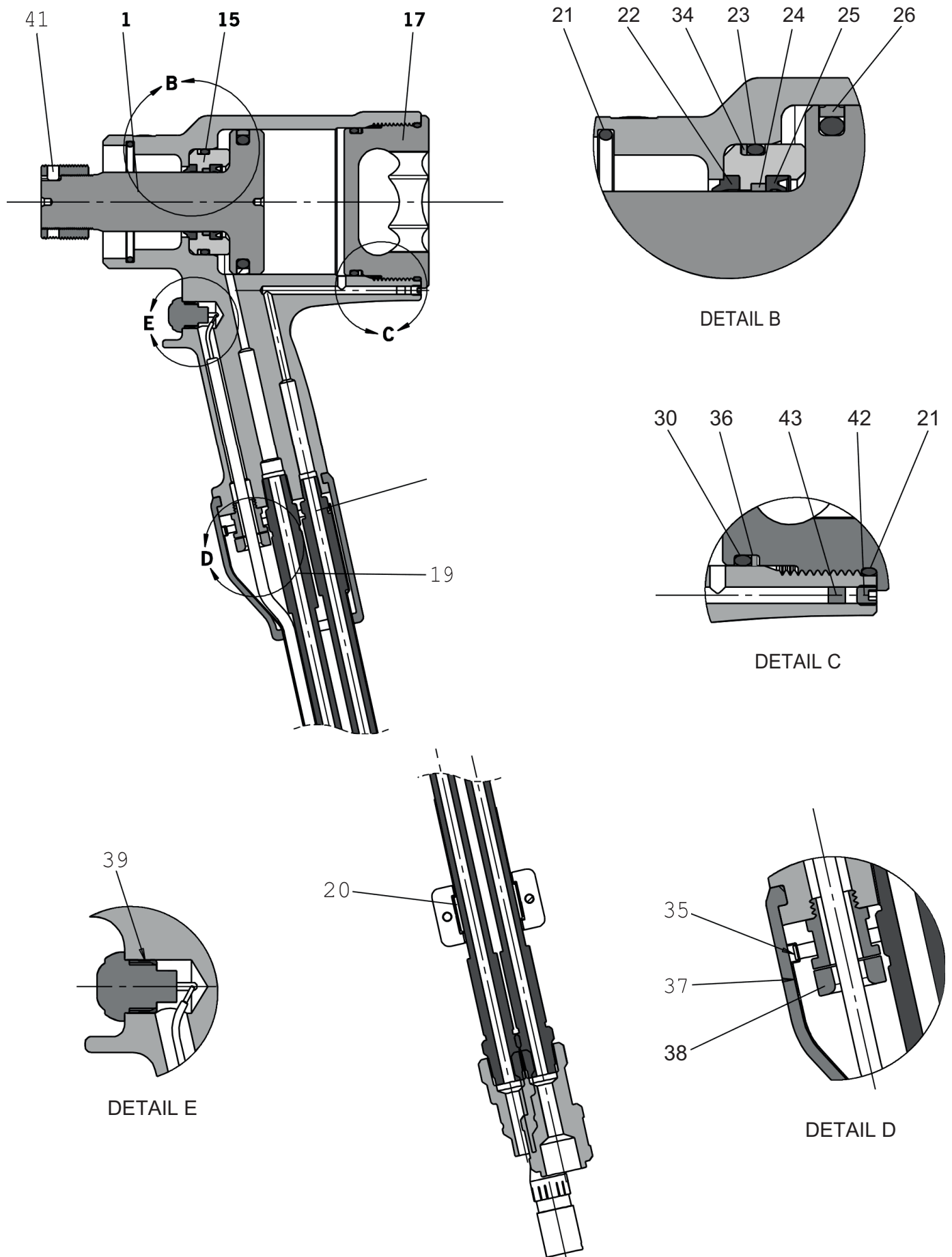
6. BLOQUE GENERAL Y LISTA DE PIEZAS

6.1 BLOQUE GENERAL



ITEM 37 PROTECTIVE SLEEVE
REMOVED FOR CLARITY

ITEM 37 PROTECTIVE SLEEVE
REMOVED FOR CLARITY



6.2 LISTA DE PIEZAS

Lista de piezas 73432-02000			
ARTÍCULO	N.º REFERENCIA	DESCRIPCIÓN	CANT.
1	73434-02003	PISTÓN	1
2	73434-02001	CUERPO	1
3			
4	73425-02016	ETIQUETA SEGURIDAD	1
5	73434-02026	ETIQUETA AV30	2
6	07007-01504	ETIQUETA CE Y UKCA	1
7	07007-02103	INTERRUPTOR DE GATILLO	1
8	73430-02020	EMPUÑADURA GATOR	1
9	07001-00686	M4 X 16 TORNILLOS ALLEN HD SKT	2
10	07005-10118	ACOPLADOR RÁPIDO - MACHO	1
11	07005-10120	ACOPLADOR RÁPIDO - HEMBRA	1
12	07001-00479	M4 X 4 TORNILLOS PRISIONEROS SKT	1
13	73430-02023	PINZA DE MANGUERA	1
14	07007-02105	CABLE DE CONTROL	1
15	73434-02004	PRENSAESTOPA DE SELLO DELANTERO	1
16			
17	73434-02005	TAPÓN	1
18	07005-10119	MANGUERA HIDRÁULICA - RETORNO	1
19	07005-10117	MANGUERA HIDRÁULICA - TRACCIÓN	1
20	73430-02024	INSERTO DE PINZA	1
21	07003-00463	JUNTA TÓRICA	2
22	07003-00452	JUNTA DE FRICCIÓN	1
23	07003-00461	JUNTA TÓRICA	1
24	73434-02009	ANILLO DE COJINETE DELANTERO	1
25	07003-00451	JUNTA DEL VÁSTAGO	1
26	07003-00453	JUNTA DE PISTÓN	1
27			
28			
29			
30	07003-00464	JUNTA TÓRICA	1
31			
32			
33			
34	07003-00494	ANILLO DE APOYO ESPIRAL	1
35	07007-02032	SUJETACABLES	1
36	07003-00496	ANILLO DE APOYO ESPIRAL	1
37	07005-10121	MANGUITO DE PROTECCIÓN	0,6 m
38	07007-02104	CASQUILLO DE PASO DEL CABLE	1
39	73430-02008	INSERTO DE DISPARO	1
40	73434-02012	ADAPTADOR DE PINZA	1
41	73434-02013	CLAVIJA DE BLOQUEO	1
42	07001-00481	M5 X 5 TORNILLOS FIJAC. C/ HUECO HEX.	1
-	07900-01022	MANUAL DE INSTRUCCIONES DE LA HERRAMIENTA AV30	1

7. DATOS DE SEGURIDAD

7.1 DATOS DE SEGURIDAD - ACEITE HIDRÁULICO ENERPACE® HF

PRIMEROS AUXILIOS

PIEL:

Es probable que no cause daño a la piel por contacto breve u ocasional, pero el contacto prolongado o la exposición puede causar dermatitis. Lávese bien la piel con agua y jabón tan pronto como pueda. Quítese la ropa muy contaminada y lávese la piel.

BOCA:

Es probable que no cause daño si se traba una pequeña dosis, pero cantidades mayores pueden causar náuseas o diarrea. En caso de contaminación de la boca, enjuáguese bien con agua. Salvo que se trate de un acto intencional, es improbable que se ingieran grandes cantidades de producto. En su caso, no produzca el vómito y consulte un médico. Lleve a la persona al centro de asistencia médica más próximo.

OJOS:

Si el producto entra accidentalmente en contacto con los ojos, es probable que cause solo picor o rojeces pasajeras. Lávese los ojos con abundante agua, manteniendo los ojos abiertos. Consulte al médico si las molestias o las rojeces aumentan o persisten.

CONSEJO MÉDICO:

En general, el tratamiento debe ser sintomático y dirigido a aliviar los efectos.

Nota: Trabajos de alta presión:

Las inyecciones a través de la piel, resultantes del contacto con el producto a alta presión, constituyen una emergencia médica importante. Las lesiones pueden no parecer graves al principio, pero en pocas horas el tejido se inflama, se decolora y resulta extremadamente doloroso, con una extensa necrosis subcutánea.

Debe realizarse una exploración quirúrgica lo antes posible. Es necesario un desbridamiento exhaustivo y extenso de la herida y del tejido subyacente, para minimizar la pérdida de tejido y prevenir o limitar los daños permanentes. Tenga en cuenta que la alta presión puede forzar el producto a distancias considerables por los planos de los tejidos.

ELIMINACIÓN

Elimine todos los derrames con material absorbente inerte. Ventile la zona del derrame. Coloque los materiales contaminados en un contenedor desechable y elimínelos respetando las normas locales.

INCENDIO

PUNTO DE INFLAMACIÓN: 200 °C.

Extinguir con espuma seca química o dióxido de carbono. No acceda a lugares estrechos sin usar un aparato respiratorio aislante.

MANEJO

Use una crema barrera o guantes resistentes al aceite.

ALMACENAMIENTO

En lugar protegido, respetando las normas locales sobre materiales inflamables.

7.2 DATOS DE SEGURIDAD - GRASA MOLYLITHIUM EP 3753

Puede solicitar la grasa por separado. Encontrará el número de referencia en la página del Kit de mantenimiento 136.

PRIMEROS AUXILIOS

PIEL:

Como la grasa es totalmente resistente al agua, la mejor forma de eliminarla es con un limpiador emulsionante para la piel.

INGESTIÓN:

Asegúrese de que la persona beba 30 ml de leche de magnesia, preferiblemente en una taza de leche.

OJOS:

Irritante, pero no perjudicial. Enjuague con agua y consulte a un médico.

INCENDIO

PUNTO DE INFLAMACIÓN: Superior a 220 °C.

No clasificado como inflamable.

Medios de extinción adecuados: CO₂, halón o pulverizador de agua, si los medios son utilizados por un operario con experiencia.

MEDIOAMBIENTE

Recoja el material para incinerarlo o eliminarlo en un lugar autorizado.

MANEJO

Use una crema barrera o guantes resistentes al aceite

ALMACENAMIENTO

En un lugar alejado del calor y de agentes oxidantes.

7.3 DATOS DE SEGURIDAD - GRASA MOLYKOTE® 111

Puede solicitar la grasa por separado. Encontrará el número de referencia en la página del Kit de mantenimiento 136.

PRIMEROS AUXILIOS

PIEL:

No se deberían necesitar primeros auxilios.

INGESTIÓN:

No se deberían necesitar primeros auxilios.

OJOS:

No se deberían necesitar primeros auxilios.

INHALACIÓN:

No se deberían necesitar primeros auxilios.

INCENDIO

PUNTO DE INFLAMACIÓN: Superior a 101,1 °C (copa cerrada)

Propiedades explosivas: No

Medios de extinción adecuados: Espuma de dióxido de carbono, polvo seco o agua fina pulverizada. Se puede utilizar agua para enfriar los recipientes expuestos al fuego.

MEDIOAMBIENTE

No se han previsto efectos perjudiciales.

MANEJO

Se recomienda una ventilación general. Evite el contacto con los ojos.

ALMACENAMIENTO

No se debe almacenar con agentes oxidantes. Mantenga el recipiente cerrado y almacénelo alejado de agua y humedad.

8. DIAGNÓSTICO DE ERRORES

SÍNTOMA	POSIBLE CAUSA	SOLUCIÓN	REF. PÁG.
La herramienta de colocación no funciona	Bomba no operativa	Compruebe el suministro eléctrico de la bomba y consulte su manual de instrucciones	
	Acopladores rápidos 10 y 11 defectuosos	Cambie los acopladores rápidos	139
	El cable de control del gatillo 14 no está correctamente conectado	Compruebe que el cable de control está correctamente conectado a la bomba y a la herramienta de colocación	134
	Gatillo 7 o cable de control 14 dañados	Cambie el gatillo y/o el cable de control	139
El gatillo 7 no funciona	Bomba en modo local	Consulte el manual de instrucciones de la bomba	
	Gatillo 7 , cable de control 14 o conector dañado	Cambie el gatillo y/o el cable de control	139
La bomba funciona, pero la herramienta de colocación no	Mangueras hidráulicas no conectadas	Compruebe que las conexiones de la bomba y la herramienta de colocación sean correctas	134
	Bajo nivel de aceite	Asegúrese de que la herramienta de colocación esté llena de aceite y correctamente cebada Consulte el manual de instrucciones de la bomba	134
	La herramienta de colocación pierde aceite por el lado externo	Revise la herramienta de colocación y cambie los componentes desgastados o dañados	137 - 140
	El bloque de manguera pierde aceite por el lado externo	Revise el bloque de manguera: asegúrese de que las conexiones estén prietas y/o cambie los conectores de manguera dañados	139
	La bomba pierde aceite por dentro o por fuera	Consulte el manual de instrucciones de la bomba	
	La herramienta de colocación funciona de forma imprevisible	El suministro de presión hidráulica es bajo o errático	Consulte el manual de instrucciones de la bomba
Las juntas hidráulicas de la herramienta de colocación están gastadas o dañadas		Revise la herramienta de colocación y cambie las juntas desgastadas o dañadas	137 - 140
Las superficies de sellado hidráulico de la herramienta de colocación están gastadas o dañadas		Revise la herramienta de colocación y cambie los componentes desgastados o dañados	137 - 140
La bomba pierde aceite por dentro o por fuera		Consulte el manual de instrucciones de la bomba	
La bomba suministra toda la presión, pero el vástago no se rompe	La carga de rotura puede ser mayor que la capacidad de la herramienta de colocación a presión máxima	Consulte las especificaciones de la herramienta de colocación	131
	Flujo a la herramienta de colocación bloqueado	Compruebe que los acopladores rápidos 10 y 11 estén bien conectados	134
	Ajuste muy bajo de la válvula de descompresión de la bomba	Cambie los ajustes de la válvula de descompresión. Consulte el manual de instrucciones de la bomba	
	Ranuras de tracción del vástago del remache peladas	Vea el síntoma en la página 147	135
	Mal funcionamiento de la herramienta		135

SÍNTOMA	POSIBLE CAUSA	SOLUCIÓN	REF. PÁG.
El pistón 1 de la herramienta de colocación no retorna	Flujo de retorno restringido o bloqueado	Compruebe que los acopladores rápidos 10 y 11 estén bien conectados y no presenten fallos	134
	Mangueras hidráulicas no conectadas	Compruebe que las conexiones de la bomba y la herramienta de colocación sean correctas	134
	Fallo de la válvula de la bomba	Consulte el manual de instrucciones de la bomba	
	El tiempo de retorno de la bomba no se ha ajustado correctamente: ajuste demasiado bajo	Ajuste el tiempo de retorno al valor recomendado. Consulte el manual de instrucciones de la bomba	
La herramienta de colocación no expulsa el collar del yunque	Ajuste muy bajo de la válvula de descompresión de retorno de la bomba	Cambie los ajustes de la válvula de descompresión de retorno. Consulte el manual de instrucciones de la bomba	
	El suministro de presión hidráulica es bajo o errático	Consulte el manual de instrucciones de la bomba	
	Las juntas hidráulicas de la herramienta de colocación están gastadas o dañadas	Revise la herramienta de colocación y cambie las juntas desgastadas o dañadas	137 - 140
	Las superficies de sellado hidráulico de la herramienta de colocación están gastadas o dañadas	Revise la herramienta de colocación y cambie los componentes desgastados o dañados	137 - 140
Ranuras de tracción del vástago del remache peladas durante la instalación	La bomba pierde aceite por dentro o por fuera	Consulte el manual de instrucciones de la bomba	
	El operario no empuja la punta completamente sobre el vástago del remache antes de accionar la herramienta	Instruya al operario el método de instalación correcto	135
	Longitud del remache / longitud de la pinza incorrecta Segmentos de la mordaza desgastados o dañados	Utilice el remache correcto Compruebe y sustituya el conjunto de la boca. Consulte la ficha técnica del bloque de boquilla	135
	Residuos en los segmentos de las mordazas y/o en las ranuras del vástago	Limpie los segmentos de las mordazas, consulte la ficha técnica del bloque de boquilla	
El collar Avdelok® o Avbolt® no está totalmente alojado El vástago no se libera del bloque de boquilla	Excesiva separación entre hojas	Cierre la separación entre las hojas	135
	Mal funcionamiento de la herramienta		135
	Orificio de la boca desgastado	Compruebe la boca y sustitúyala. Consulte la ficha técnica del bloque de la boquilla	
	Montaje incorrecto del bloque de boquilla	Consulte la ficha técnica del bloque de boquilla	
La herramienta de colocación y el aceite hidráulico se calientan	La manguera hidráulica está obstruida	Compruebe los acopladores rápidos hidráulicos 10 y 11 y cámbielos si es necesario	139
	Alta temperatura ambiente		
Acopladores rápidos hidráulicos 10 y 11 , y fuga de aceite	Junta tórica gastada en el cuerpo del acoplador rápido macho 10	Cambie la junta tórica y el anillo de apoyo del acoplador rápido 10	139

Todos los números en **negrita** se refieren a Bloque general y Lista de piezas de las páginas 141, 142 y 143.

* Kit de mantenimiento de la página 136.

9. DECLARACIÓN DE CONFORMIDAD CE

Nosotros, **Stanley Engineered Fastening, Stanley House, Works Road, Letchworth Garden City, Hertfordshire, SG6 1JY REINO UNIDO**, declaramos bajo nuestra exclusiva responsabilidad que el producto:

Descripción: HERRAMIENTA HIDROELÉCTRICA AV30

Modelo: HERRAMIENTA ESTRUCTURAL AV30 - 73434-02000

al que se refiere esta declaración es conforme a las siguientes normas armonizadas:

ISO 12100:2010	EN ISO 3744:2010
EN ISO 11202:2010	EN ISO 11148-1:2011
EN ISO 4413:2010	EN ISO 20643:2008+A1:2012
EN ISO 4414:2010	ES100118-rev 17:2017
EN ISO 28927-5:2009+A1:2015	

La documentación técnica ha sido elaborada de conformidad con el anexo 1, sección 1.7.4.1, de la siguiente Directiva: **Directiva de máquinas 2006/42/CE** (Instrumentos legislativos 2008, n.º 1597 - Reglamento sobre suministro de máquinas [seguridad]).

El abajo firmante expide la presente declaración en nombre y representación de STANLEY Engineered Fastening



A. K. Seewraj

Director de Ingeniería, Reino Unido

Avdel UK Limited, Stanley House, Works Road, Letchworth Garden City, Hertfordshire, SG6 1JY REINO UNIDO

Lugar de edición: Letchworth Garden City, UK

Fecha de edición: 12-12-2011

El abajo firmante es responsable de la elaboración de la documentación técnica de los productos que se venden en la Unión Europea y expide la presente declaración en nombre y representación de Stanley Engineered Fastening.

Matthias Appel

Jefe de equipo de documentación técnica

Stanley Engineered Fastening, Tucker GmbH, Max-Eyth-Str.1, 35394 Gießen, Alemania



Esta máquina cumple
la Directiva de máquinas 2006/42/CE

10. DECLARACIÓN DE CONFORMIDAD DEL REINO UNIDO

Nosotros, **Stanley Engineered Fastening, Stanley House, Works Road, Letchworth Garden City, Hertfordshire, SG6 1JY REINO UNIDO**, declaramos bajo nuestra exclusiva responsabilidad que el producto:

Descripción: HERRAMIENTA HIDROELÉCTRICA AV30

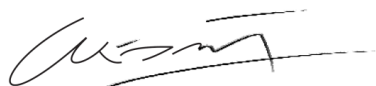
Modelo: HERRAMIENTA ESTRUCTURAL AV30 - 73434-02000

al que se refiere esta declaración es conforme a las siguientes normas armonizadas:

ISO 12100:2010	EN ISO 3744:2010
EN ISO 11202:2010	EN ISO 11148-1:2011
EN ISO 4413:2010	EN ISO 20643:2008+A1:2012
EN ISO 4414:2010	ES100118-rev 17:2017
EN ISO 28927-5:2009+A1:2015	

La documentación técnica ha sido elaborada de conformidad con el Reglamento de suministro de máquinas (seguridad) de 2008, S.I. 2008/1597 (y sus modificaciones).

El abajo firmante expide la presente declaración en nombre y representación de STANLEY Engineered Fastening



A. K. Seewraj

Director de Ingeniería, Reino Unido

Avdel UK Limited, Stanley House, Works Road, Letchworth Garden City, Hertfordshire, SG6 1JY REINO UNIDO

Lugar de edición: Letchworth Garden City, UK

Fecha de edición: 12-12-2011



Esta máquina cumple
el Reglamento de suministro de máquinas (seguridad) de
2008,
S.I. 2008/1597 (y sus modificaciones)

11. ¡PROTEJA SU INVERSIÓN!

GARANTÍA DE LA REMACHADORA Stanley® Engineered Fastening

STANLEY® Engineered Fastening le garantiza que todas las herramientas han sido fabricadas cuidadosamente y no presentarán ningún defecto en sus materiales o en su funcionamiento al usarse de manera normal y durante un periodo de (1) año.

Esta garantía se aplica al primer comprador de la herramienta y solo para su uso original.

Excepciones:

Desgaste normal.

El mantenimiento periódico, la reparación o la sustitución de piezas debido al desgaste normal están excluidos de la garantía.

Uso indebido.

Cualquier defecto o daño causado por un uso o un almacenamiento inadecuado, un accidente o negligencia, así como un daño físico, quedarán excluidos de la garantía.

Reparaciones o modificaciones no autorizadas.

Cualquier defecto o daño producido por un servicio, ajuste de prueba, instalación, mantenimiento o modificación llevado a cabo por personal que no sea de STANLEY® Engineered Fastening, o alguno de sus centros autorizados, quedarán excluidos de la garantía.

No se aplicará ninguna otra garantía, expresa o implícitamente indicada, incluyendo las garantías de comercialización o adecuación para un propósito concreto.

En caso de que esta herramienta falle estando en garantía, devuélvala a nuestro centro de servicio autorizado más cercano. Para obtener una lista de los Centros de servicio autorizados de STANLEY® Engineered Fastening en EE. UU. y Canadá, póngase en contacto con nosotros llamando al número gratuito (877)364 2781.

Fuera de EE. UU. y Canadá, visite nuestro sitio web www.StanleyEngineeredFastening.com para encontrar la oficina de STANLEY Engineered Fastening más próxima a su localidad.

STANLEY Engineered Fastening sustituirá gratis cualquier pieza que, según nuestro criterio, sea defectuosa debido a fallos del material o de fabricación y devolverá la herramienta con portes pagados. Esto constituye nuestra única obligación de conformidad con la presente garantía.

En ningún caso STANLEY Engineered Fastening se hará responsable de daños consecuentes o especiales que pudieran derivarse del uso de esta herramienta.

Registrar la remachadora online.

Para registrar su garantía on-line, visite nuestra página

<https://www.stanleyengineeredfastening.com/support/warranty-registration-form>

Gracias por elegir una herramienta de la marca Stanley Assembly Technologies de STANLEY® Engineered Fastening.

©2019 STANLEY Black & Decker Alle rechten voorbehouden

De verstrekte informatie mag niet worden gereproduceerd en/of openbaar gemaakt, op welke wijze en met welke middelen dan ook (elektronisch of mechanisch), zonder voorafgaande uitdrukkelijke en schriftelijke toestemming van STANLEY Engineered Fastening. De verstrekte informatie is gebaseerd op de gegevens die bekend waren op het moment van het verschijnen van dit product. STANLEY Engineered Fastening voert een beleid van continue productverbetering, wijzigingen van producten zijn derhalve voorbehouden. De verstrekte informatie is geldig voor het product zoals dit door STANLEY Engineered Fastening is geleverd. STANLEY Engineered Fastening kan derhalve niet aansprakelijk worden gesteld voor eventuele schade voortvloeiend uit afwijkingen van de oorspronkelijke specificaties van het product.

De beschikbare informatie is met alle mogelijke zorg samengesteld. STANLEY Engineered Fastening kan niet aansprakelijk worden gesteld voor eventuele fouten in de informatie of voor de gevolgen daarvan. STANLEY Engineered Fastening kan niet aansprakelijk worden gesteld voor schade voortvloeiend uit werkzaamheden die door derden zijn uitgevoerd. De door STANLEY Engineered Fastening gebruikte gebruiksnamen, handelsnamen, geregistreerde handelsmerken, etc. mogen krachtens de wetgeving inzake de bescherming van handelsmerken niet als vrij worden beschouwd.

INHOUD

1. VEILIGHEIDSVOORSCHRIFTEN	152
1.1 ALGEMENE VEILIGHEIDSREGEL	152
1.2 GEVAREN VOOR PROJECTIELEN	152
1.3 OPERATIONELE RISICO'S	153
1.4 GEVAREN BIJ HERHAALDE BEWEGINGEN	153
1.5 GEVAREN BIJ GEBRUIK VAN ACCESSOIRES	153
1.6 GEVAREN OP DE WERKPLEK	154
1.7 GEVAAR VAN LAWAAI	154
1.8 GEVAAR VAN TRILLINGEN	154
1.9 AANVULLENDE VEILIGHEIDSINSTRUCTIES VOOR HYDRAULISCH GEREEDSCHAP	154
2. SPECIFICATIES	156
2.1 BEDOELD GEBRUIK	156
2.2 SPECIFICATIE VAN HET GEREEDSCHAP	156
2.3 AFMETINGEN VAN HET GEREEDSCHAP	157
3. INGEBRUIKNAME	158
3.1 WERKINGSPRINCIPE	158
3.2 GEREED MAKEN VOOR GEBRUIK	159
4. BEDIENINGSINSTRUCTIES	160
4.1 HET PLAATSEN VAN EEN AVBOLT® BLINDKLINKNAGEL	160
4.2 HET PLAATSEN VAN EEN AVDELOK® XT BLINDKLINKNAGEL	160
5. HET GEREEDSCHAP ONDERHOUDEN	161
5.1 DAGELIJKS ONDERHOUD	161
5.2 WEKELIJKS ONDERHOUD	161
5.3 JAARLIJKS ONDERHOUD / ELKE 150.000 CYCLI	161
5.4 ONDERHOUDSSET	161
5.5 GEREEDSCHAPPEN VOOR HET ONDERHOUD	161
5.6 HYDRAULISCHE OLIE	161
5.7 INSTRUCTIES VOOR DE DEMONTAGE	162
5.8 HET MILIEU BESCHERMEN	165
6. ALGEMENE MONTAGE- EN ONDERDELENLIJST	166
6.1 ALGEMENE MONTAGE	166
6.2 ONDERDELENLIJST	168
7. VEILIGHEIDSINFORMATIE	169
7.1 ENERPACE® HF HYDRAULISCHE OLIE - VEILIGHEIDSINFORMATIE	169
7.2 MOLYLITHIUM VET EP 3753 - VEILIGHEIDSINFORMATIE	169
7.3 MOLYKOTE® 111-VET - VEILIGHEIDSgegevens	170
8. FOUTDIAGNOSE	171
9. CE CONFORMITEITSVERKLARING	173
10. VK VERKLARING VAN OVEREENSTEMMING	174
11. BESCHERM UW INVESTERING!	175



Deze gebruiksaanwijzing moet worden gelezen door alle personen die dit gereedschap installeren of gebruiken, met bijzondere aandacht voor de volgende veiligheidswaarschuwingen en instructies.



Draag altijd slagvaste oogbescherming als met het gereedschap wordt gewerkt. Het niveau van bescherming dient vóór elk gebruik beoordeeld te worden.



Het gebruik van het gereedschap kan de handen van de gebruiker blootstellen aan risico's zoals beklemd raken, snij- en schaafwonden, stoten en hitte. Draag geschikte handschoenen voor het beschermen van de handen.



Gebruik gehoorbescherming in overeenstemming met de voorschriften van de werkgever en zoals vereist door de regelgeving op het gebied van gezondheid en veiligheid op de werkplek.

1. VEILIGHEIDSVOORSCHRIFTEN

De onderstaande omschrijvingen beschrijven de ernst van ieder signaleringswoord. Lees de gebruiksaanwijzing door en let vooral op deze symbolen.



GEVAAR: Geeft een dreigend gevaar aan dat, als dit niet wordt voorkomen, leidt tot een ongeval met dodelijke afloop of tot ernstig letsel.



WAARSCHUWING: Geeft een mogelijk gevaar aan dat, als dit niet wordt voorkomen, kan leiden tot een ongeval met dodelijke afloop of tot ernstig letsel.



LET OP: Geeft een mogelijk gevaar aan dat, als dit niet wordt voorkomen, **zou kunnen** leiden tot gering of matig letsel.



LET OP: Gebruikt zonder het waarschuwingssymbool geeft dit een mogelijk gevaarlijke situatie aan die, als deze niet wordt voorkomen, **zou kunnen** leiden tot materiële schade.

Verkeerd gebruik of onderhoud van dit apparaat kan leiden tot ernstig letsel en materiële schade.

Lees en begrijp alle waarschuwingen en bedieningsinstructies voordat u dit gereedschap gebruikt. Wanneer u werkt met elektrisch gereedschap, moet u altijd de elementaire veiligheidsmaatregelen in acht nemen zodat het risico op persoonlijk letsel wordt beperkt.

BEWAAR ALLE WAARSCHUWINGEN EN INSTRUCTIES ALS TOEKOMSTIG REFERENTIEMATERIAAL.

1.1 ALGEMENE VEILIGHEIDSREGEL

- Ter voorkoming van gevaar dient u de veiligheidsvoorschriften te lezen en te begrijpen voordat het gereedschap wordt geïnstalleerd, gebruikt, gerepareerd, onderhouden of accessoires worden vervangen, dit is tevens van toepassing voor het werken aan of in de buurt van het gereedschap. Het niet opvolgen van deze instructies kan tot ernstige lichamelijke verwondingen leiden.
- Uitsluitend gekwalificeerde en geschoolde gebruikers mogen het gereedschap installeren, aanpassen of gebruiken.
- NIET voor andere doeleinden gebruiken dan voor het plaatsen van blindklinknagels van STANLEY Engineered Fastening.
- Gebruik alleen onderdelen, blindklinknagels en accessoires die door de fabrikant worden aanbevolen.
- Het gereedschap NIET aanpassen. Aanpassingen kunnen de effectiviteit van de veiligheidsmaatregelen verlagen en het risico voor de gebruiker verhogen. Een door de klant uitgevoerde wijziging van het gereedschap is uitsluitend en volledig de verantwoordelijkheid van de klant, als gevolg waarvan de garantie vervalt.
- De veiligheidsvoorschriften niet weggooien, overhandig ze aan de gebruiker.
- Gebruik het gereedschap niet als het beschadigd is.
- Controleer voor gebruik op verkeerde uitlijning en het vastlopen van bewegende onderdelen, breuk van onderdelen en andere omstandigheden die de werking van het gereedschap nadelig kunnen beïnvloeden. Laat het gereedschap, als het is beschadigd, repareren, voordat u het weer gebruikt. Verwijder voor gebruik alle inbussleutels of steeksleutels.
- Gereedschappen dienen periodiek geïnspecteerd te worden, om te verifiëren dat de classificaties en markeringen zoals vereist door dit deel van ISO 11148 goed leesbaar zijn op het gereedschap. Wanneer dat nodig is, moet de werkgever/ gebruiker voor vervangende etiketten contact opnemen met de fabrikant.
- Het gereedschap moet te allen tijde in een veilige omgeving onderhouden worden en regelmatig door getraind personeel worden gecontroleerd op schade en werking. Demontage-werkzaamheden moeten altijd door getraind personeel worden uitgevoerd. Demonteer het gereedschap niet zonder eerst de onderhoudsinstructies te raadplegen.

1.2 GEVAREN VOOR PROJECTIELEN

- Koppel het gereedschap los van de hydraulische pomp voordat onderhoud wordt uitgevoerd, een poging tot aanpassing wordt ondernomen of het plaatsen of verwijderen van het neusstuk wordt uitgevoerd.

- Wees u bewust van het feit dat een defect of storing van het werkstuk of de accessoires, of zelfs van het geplaatste gereedschap zelf, projectielen met een hoge snelheid kunnen genereren.
- Draag altijd slagvaste oogbescherming als met het gereedschap wordt gewerkt. Het niveau van bescherming dient vóór elk gebruik beoordeeld te worden.
- Op datzelfde moment dient ook het risico voor derden beoordeeld te worden.
- Zorg ervoor dat werkstuk veilig en goed is bevestigd.
- Controleer of de bescherming tegen het uitwerpen van een blindklinknagel en/of doorn op de juiste wijze is bevestigd en goed functioneert.
- Waarschuw voor het mogelijke uitschieten van nagels vanuit de voorzijde van het gereedschap.
- NOOIT gereedschap bedienen als het op iemand is gericht.

1.3 OPERATIONELE RISICO'S

- Het gebruik van het gereedschap kan de handen van de gebruiker blootstellen aan risico's zoals beklemd raken, snij- en schaafwonden, stoten en hitte. Draag geschikte handschoenen voor het beschermen van de handen.
- Gebruikers en onderhoudspersoneel moeten fysiek in staat zijn om de omvang, het gewicht en de kracht van het gereedschap te kunnen hanteren.
- Het gereedschap dient op de juiste manier vastgehouden te worden; de gebruiker dient klaar te zijn om normale of plotselinge bewegingen te neutraliseren en de gebruiker dient beide handen ter beschikking te hebben.
- Houd de handgreep droog, schoon en vrij van olie en vet.
- Zorg voor een evenwichtige lichaamshouding en een stabiele plaatsing van de voeten tijdens het werken met het gereedschap.
- Geef het start/stop-apparaat vrij bij een onderbreking van de hydraulische toevoer.
- Gebruik uitsluitend smeermiddelen die door de fabrikant worden aanbevolen.
- Vermijd contact met hydraulische vloeistoffen. Voorkom uitslag van de huid, bij contact dient u zich zorgvuldig te wassen.
- Gegevens over materiaalveiligheid voor alle hydraulische oliën en smeermiddelen zijn op aanvraag verkrijgbaar bij de leverancier van het gereedschap.
- Voorkom ongeschikte houdingen, omdat het waarschijnlijk is dat het in dergelijke houdingen niet mogelijk is om normale en/of onverwachte bewegingen van het gereedschap te neutraliseren.
- Wanneer het gereedschap is bevestigd aan een ophangelement, controleer dan of de ophanging veilig is.
- Wees u bewust van het pletgevaar als het neusstuk niet is aangebracht.
- Gebruik het gereedschap NIET zonder de neushouder.
- Er is voldoende ruimte nodig voor de handen van de gebruiker.
- Houd uw handen uit de buurt van de bedieningsschakelaar wanneer u het gereedschap verplaatst om incidenteel opstarten te voorkomen.
- Gebruik het gereedschap NOOIT verkeerd, laat het niet vallen en gebruik het niet als hamer.
- Er moet op worden gelet dat de restnagels geen gevaarlijke situatie veroorzaken.

1.4 GEVAREN BIJ HERHAALDE BEWEGINGEN

- Tijdens het hanteren van het gereedschap kan de gebruiker een onaangenaam gevoel ervaren in de handen, armen, schouders, nek of andere delen van het lichaam.
- Bij het hanteren van het gereedschap moet de gebruiker een comfortabele houding aannemen, terwijl tegelijkertijd een goede en veilige stand van de voeten wordt behouden en een ongemakkelijke en/of onevenwichtige houding wordt voorkomen. Bij langdurige werkzaamheden moet de gebruiker van houding veranderen; hierdoor kan een onaangenaam gevoel en vermoeidheid worden voorkomen.
- Wanneer de gebruiker symptomen ervaart zoals een aanhoudend onaangenaam gevoel, pijn, een kloppend gevoel, tintelingen, gevoelloosheid, een branderig gevoel of stijfheid, dan mogen deze waarschuwingssignalen niet genegeerd worden. De gebruiker moet de werkgever informeren en contact opnemen met een arts.

1.5 GEVAREN BIJ GEBRUIK VAN ACCESSOIRES

- Ontkoppel het gereedschap van de hydraulische en elektrische voeding voordat het neusstuk of een accessoire wordt geplaatst of verwijderd.
- Gebruik uitsluitend de formaten en de accessoires en verbruiksartikelen die door de fabrikant van het gereedschap worden aanbevolen; gebruik geen andere formaten en soorten van accessoires en verbruiksartikelen.

1.6 GEVAREN OP DE WERKPLEK

- Uitglijden, struikelen en vallen zijn de belangrijkste oorzaken van letsels op de werkplek. Wees u bewust van door het gereedschap veroorzaakte gladde oppervlakken en let ook op risico's op struikelen, veroorzaakt door de luchtslang of de hydraulische slang.
- Ga voorzichtig te werk in onbekende omgevingen. Hier kunnen verborgen risico's aanwezig zijn, zoals stroomkabels of andere kabels van andere nutsvoorzieningen.
- Het gereedschap is niet bedoeld voor gebruik in mogelijk explosieve omgevingen en is niet geïsoleerd tegen contact met elektriciteit.
- Controleer of stroomkabels, gasleidingen, enz. die aanwezig zijn, een gevaar kunnen vormen als deze als gevolg van het gebruik van het gereedschap beschadigd raken.
- Draag geschikte kleding. Draag geen loszittende kleding of sieraden. Houd uw haar, kleding en handschoenen weg bij bewegende onderdelen. Loszittende kleding, sieraden of lang haar kunnen door bewegende delen worden gegrepen.
- Er moet op worden gelet dat de restnagels geen gevaarlijke situatie veroorzaken.

1.7 GEVAAR VAN LAWAAI

- Blootstelling aan hoge geluidsniveaus kan permanent gehoorverlies en andere problemen veroorzaken, zoals tinnitus oftewel oorsuizen (een rinkelend, zoemend, brommend of fluitend geluid in de oren). Daarom is een risicobeoordeling en het gebruik van de daarvoor geschikte controles voor deze risico's van groot belang.
- Geschikte controles voor het verlagen van de risico's omvatten o.a. het gebruik van geluiddempende materialen om te voorkomen dat werkstukken 'suizen'.
- Gebruik gehoorbescherming in overeenstemming met de voorschriften van de werkgever en zoals vereist door de regelgeving op het gebied van gezondheid en veiligheid op de werkplek.
- Gebruik en onderhoud het gereedschap zoals wordt aanbevolen in de gebruikershandleiding, zodat het onnodig verhogen van het geluidsniveau wordt voorkomen.

1.8 GEVAAR VAN TRILLINGEN

- Blootstelling aan trillingen kan beschadigingen van de zenuwen en de bloedtoevoer van handen en armen veroorzaken.
- Draag warme kleding bij het werken in koude omstandigheden en zorg ervoor dat uw handen droog en warm blijven.
- Als u gevoelloosheid, tintelingen, pijn of het wit worden van de huid van vingers of handen ervaart, dient u te stoppen met het gebruik van het gereedschap, uw werkgever te informeren en een arts te raadplegen.
- Ondersteun, indien mogelijk, het gewicht van het gereedschap door het in een standaard, spaninrichting of balanceerapparaat te plaatsen, omdat deze manier minder kracht vereist voor de ondersteuning van het gereedschap.

1.9 AANVULLENDE VEILIGHEIDSINSTRUCTIES VOOR HYDRAULISCH GEREEDSCHAP

- De werkdruk van de hydraulische toevoer mag niet hoger zijn dan 550 bar (8000 PSI).
- Olie onder druk kan ernstige letsels veroorzaken.
- Monteer geen flexibele hydraulische slangen met een nominale capaciteit voor de werkdruk van minder dan 700 bar (10.000 PSI) bij een stroomsnelheid van 2,73 l/min. (200 in 3/min).
- Laat het gereedschap nooit zonder toezicht liggen. Verwijder de hydraulische slang en de stroomkabel van de pomp als het gereedschap niet wordt gebruikt, voordat accessoires worden vervangen of vóór het uitvoeren van reparaties.
- Slangen die slaande bewegingen maken, kunnen ernstige letsels veroorzaken. Controleer altijd op beschadigde of losse slangen en koppelingen.
- Inspecteer hydraulische slangen vóór gebruik op beschadigingen, alle hydraulische aansluitingen moeten schoon zijn, volledig afgesloten en dicht vóór het in werking zetten. Laat geen zware voorwerpen op slangen vallen. Een scherp voorwerp kan interne schade veroorzaken en de levensduur van de slang verkorten.
- Waar universele gedraaide koppelingen (klauwverbindingen) worden gebruikt, dienen borgpennen en een veiligheidskabel (whipcheck) geplaatst te worden om te beveiligen tegen mogelijke defecten van slang-gereedschap-verbindingen of slang-slang-verbindingen.
- Blindklinkgereedschap NIET optillen via de slang of de stroomkabel. Gebruik altijd de handgreep van het blindklinknagelgereedschap.
- De hydraulische pomp NIET verplaatsen via de slangen en niet aan de slangen trekken. Gebruik altijd de handgreep van de pomp of een rolkooi.
- Houd stof en vuil uit het hydraulische systeem van het gereedschap omdat dit een storing kan veroorzaken.
- Gebruik alleen schone olie en vulapparatuur.
- Alleen de aanbevolen hydraulische vloeistoffen mogen worden gebruikt.

- Voedingsaggregaten vereisen een vrije luchtstroom voor het koelen en moeten daarom in een goed geventileerde ruimte staan, die vrij is van gevaarlijke dampen.
- De maximale temperatuur van de hydraulische vloeistof bij de inlaat is 110°C (230°F).

STANLEY Engineered Fastening voert een beleid van constante productontwikkeling en productverbetering, en behouden ons het recht voor de specificaties van onze producten te wijzigen zonder voorafgaande kennisgeving.

2. SPECIFICATIES

2.1 BEDOELD GEBRUIK

Het AV™ 30-installatiegereedschap is eigenlijk een zuiger- en cilinder eenheid. Bij hydraulische en elektrische koppeling aan een geschikte hydraulische voedingsbron en bij bevestiging van het bijpassende neusstuk, kan het gereedschap worden gebruikt voor het plaatsen van 1/2" tot 5/8" Avbolt® en 1/2" tot 3/4" Avdelok® XT in industriële omgevingen.

Het blindklinknagelgereedschap en de hydraulische pomp mogen uitsluitend worden gebruikt volgens de bedieningsinstructies voor het plaatsen van Stanley Engineered Fastening blindklinknagels.

Zie de onderstaande tabel voor een lijst met van toepassing zijnde bevestigingsmiddelen en bijbehorende neusstukken. Zie de datasheets zoals opgenomen in de tabel voor instructies voor het betreffende neusstuk.

NIET GEBRUIKEN bij natte omstandigheden of in de aanwezigheid van ontvlambare vloeistoffen of gassen.

BEVESTIGINGSMATERIAAL		NEUSTUKKEN			NEUSTUKKEN DATASHEET
TYPE	GROOTTE	ONDERDEELNUMMER	DIM. 'A'	DIM. 'B'	ONDERDEELNUMMER
AVBOLT®	1/2"	73412-03600	113 mm	43 mm	07900-00905
	5/8"	73412-03400	113 mm	52 mm	07900-00905
AVDELOK® XT	1/2"	73412-03100	113 mm	43 mm	07900-00919
	5/8"	73412-03200	115 mm	48 mm	07900-00919
	3/4"	73412-03300	134 mm	56 mm	07900-00919

*Neusstukken met klemsluiting.

Zie de illustraties op pagina 157 voor de identificatie van de afmetingen 'A' en 'B' van het neusstuk.

De veiligheidsinstructies moeten te allen tijde worden opgevolgd.

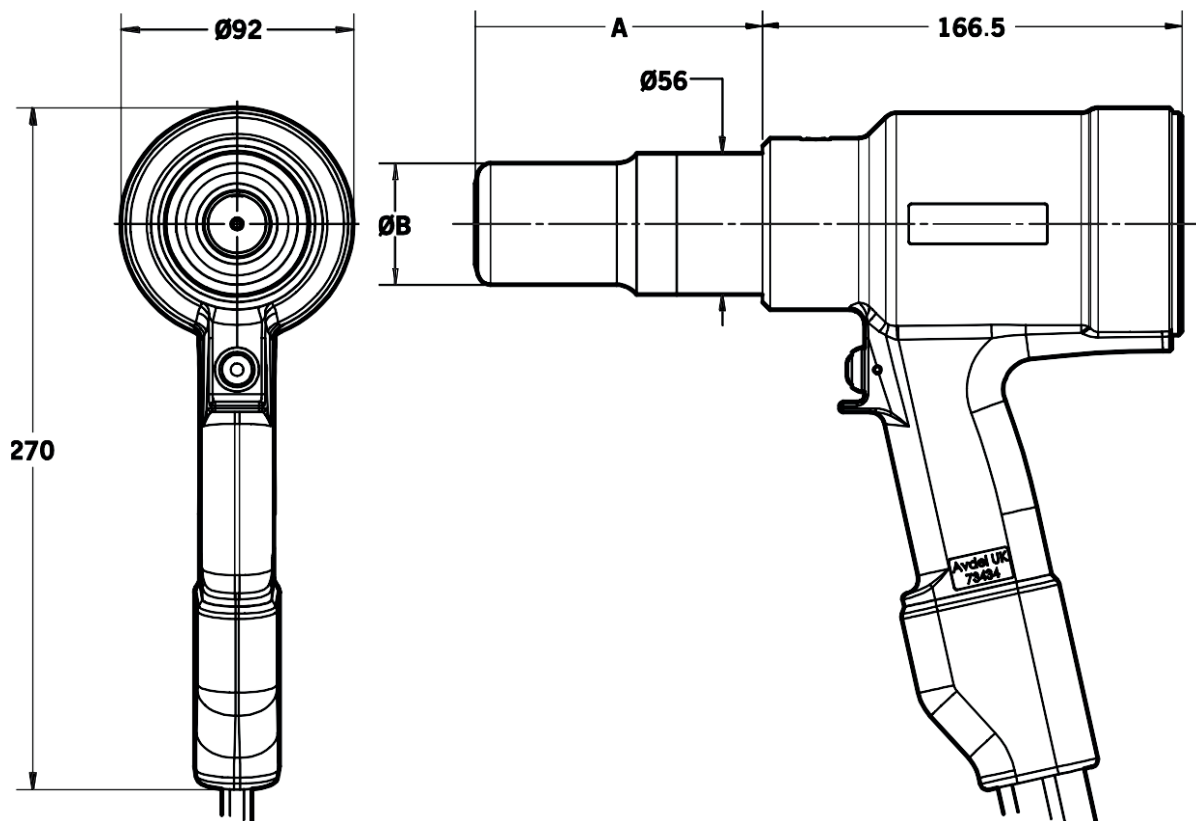
2.2 SPECIFICATIE VAN HET GEREEDSCHAP

SPECIFICATIES		METRISCH	IMPERIAAL
Kracht:	Aantrekken bij de vermelde aantrekdruk	175,0 kN	39341,0 lbf
	Afduwen bij de vermelde retourdruk	80,0 kN	17985,0 lbf
Druk:	Aantrekken	510 bar	7397 PSI
	Terugtrekken	200 bar	2901 PSI
Slag:	Zuigerslag	41,0 mm	1,61 in
Gewicht:	Zonder neusstuk	6,9 kg	15,3 lb
Hydraulische olie:	Enerpac® Hydraulische Olie – HF-95X		
Productlijn:	Avbolt®	12,7 tot 15,9 mm	1/2 tot 5/8 inches
	Avdelok® XT	12,7 tot 19,1 mm	1/2 tot 3/4 inches
Extra functies:	Steeluitwerping - voor- of achterzijde	Voorkant	
	Afdichtingstoepassing	Lip en schraperafdichtingen	
	Hydraulische lagerringen	Ja – Voorkant	
	Beschermende handgreep / Uittrekbare, flexibele slang	Ja	
	Beveiligende slangbescherming	Ja	
	Slang / Kabelklemmen	Ja	

Geluidsmeting bepaald op basis van de test voor de specifieke normen geluidsmeting machines, testcode ISO 15744 en ISO 3744.		AV30
A-gewogen geluidsniveau dB(A), L_{WA}	Onzekerheid geluidsniveau: $k_{WA} = 3.0$ dB(A)	94,3 dB(A)
A-gewogen uitgestraalde geluidsniveau bij het werkstation dB(A), L_{pA}	Onzekerheid geluidsniveau: $k_{pA} = 3.0$ dB(A)	83,3 dB(A)
C-gewogen piekgeluidsdruk niveau dB(C), L_{pC} , piek	Onzekerheid geluidsniveau: $k_{pC} = 3.0$ dB(C)	128.1 dB(C)

Trillingswaarden bepaald op basis van de test voor de specifieke normen geluidsmeting machines, testcode ISO 20643 en ISO 5349.		AV30
Niveau van de trillingsemisatie, a_{hd} :	Onzekerheid trillingsniveau: $k = 0,48$ m/s ²	0,952 m/s ²
Genoemde trillingswaarden in overeenkomst met EN 12096		

2.3 AFMETINGEN VAN HET GEREEDSCHAP



Alle afmetingen worden weergegeven in millimeters.

Raadpleeg de tabel op pagina 156 voor de afmetingen 'A' en 'B' van de neusstukken.

Het gereedschap is uitgerust met twee hydraulische slangen en een elektrische bedieningskabel van 0,6 m lengte. Aanvullende verlengstukken voor de hydraulische slang en kabel zijn verkrijgbaar en kunnen afzonderlijk worden besteld, wanneer nodig. Zie de onderstaande tabel voor een lijst met beschikbare lengtes voor slangen en bijbehorende artikelnummers.

HYDRAULISCHE SLANGENHEID	
ONDERDEELNUMMER	LENGTE VAN DE SLANG
07008-00448	5 meter
07008-00449	10 meter
07008-00450	15 meter

3. INGEBRUIKNAME

3.1 WERKINGSPRINCIPE

BELANGRIJK - LEES ZOWEL DE VEILIGHEIDSinSTRUCTIES OP DE PAGINA'S 152 – 155 ALS DE GEBRUIKSAANWIJZING VAN DE POMP ZORGVULDIG DOOR VOOR U HET IN GEBRUIK NEEMT.

Wanneer zowel de beide slangen als de besturingskabel zijn gekoppeld aan de Avdel® / Enerpac® hydraulische pomp, zullen de cycli van het aantrekken en het terugtrekken van het gereedschap worden uitgevoerd door de bedieningsschakelaar in de handgreep in te drukken en los te laten.

Als de schakelaar is ingedrukt, activeert de in de hydraulische pomp ingebouwde elektromagnetische klep, waardoor de oliestroom onder druk naar de kant van de aantrekking van de zuiger in het blindklinknagelgereedschap wordt getransporteerd. Hierdoor kan de olie aan de retourzijde van het gereedschap terugstromen naar het reservoir.

Tijdens de trekcyclus beweegt de zuiger-/spantangeenheid naar de achterkant van het gereedschap, waardoor het kussen van het O-ring type de volger en de klauwen vooruit kan drukken. Als er een bevestigingspen in de neusstukeenheid is geplaatst, zal de klauwset op de achterkant van de pen klemmen en de eenheid in beweging komen.

Voor Avbolt® en Avdelok® XT zal tijdens de cyclus van de installatie eerst de te bevestigen verbinding vastklemmen en terwijl het aambeeld voorwaarts blijft bewegen, zal de spankop vastklinken in de borgende gleuven van de pen. Aan het einde van de vastklinkcyclus zal het aambeeld weer tegen de verbinding aankomen en terwijl de beweging voortgaat zal de achterkant van de pen afbreken.

De bedieningsschakelaar dient direct vrijgegeven te worden zodra het afbreken van pen is gerealiseerd. Het vrijgeven van de bedieningsschakelaar zal tot gevolg hebben dat de elektromagnetische klep uitschakelt en de oliestroom onder druk zal worden omgekeerd.

Als de bedieningsschakelaar niet wordt vrijgegeven, zal de zuiger van het blindklinknagelgereedschap naar voren blijven gaan, totdat het gereedschap het einde van de slag bereikt. De druk in de trekzijde zal toenemen tot een vooraf ingestelde waarde 'Hoge druk' wordt bereikt aan de pomp. Op dit punt zal de elektromagnetische klep uitschakelen en de olie onder druk terugvoeren naar de retourzijde van het blindklinknagelgereedschap.

In beide gevallen zal de olie nu onder druk naar de retourzijde van het blindklinknagelgereedschap stromen, waarbij de olie in de aantrekzijde terugkeert naar het reservoir.

De voorwaartse beweging van de zuiger/spankop zal de geïnstalleerde blindklinknagel van het aambeeld uitwerpen.

Op het moment waarop de trekker wordt losgelaten of wanneer de waarde 'Hoge druk' wordt bereikt, zal het magneetventiel lossen en een vooraf ingestelde 'Retourtimer' activeren. Dit is de besturing van de tijd dat de pompmotor doorloopt voordat het naar de modus stationair schakelt. De timer kan handmatig ingesteld worden tussen 5 en 20 seconden, om ervoor te zorgen dat de zuiger van het blindklinknagelgereedschap altijd volledig terug naar de voorste positie keert (raadpleeg de pomphandleiding 07900-01030, pagina's 10 en 13).

Als de zuiger naar de volledig voorwaartse positie, zal de druk verhogen naar de vooraf ingestelde lage waarde voor de druk, te weten: c200 bar. De pompmotor zal blijven lopen tot de ingestelde tijd van de Retour-timer is verstreken. Na deze periode zal de motor automatisch stoppen en de klep schakelt naar de stationaire positie. De elektromagnetische klep zal vervolgens automatisch doorgaan om de olie onder druk vrij te geven aan het reservoir, zowel van de aantrekzijde als de retourzijde van het blindklinknagelgereedschap.

Hierdoor zal het blindklinknagelgereedschap in de voorwaartse positie blijven. Op dit punt zal er geen druk in het hydraulische systeem zijn.

De hydraulische pomp zal automatisch starten zodra u de bedieningsschakelaar van het gereedschap indrukt.

3.2 GEREED MAKEN VOOR GEBRUIK

LET OP - VOOR EEN GOEDE WERKING VAN HET INSTALLATIEGEREEDSCHAP IS DE JUISTE TREK- EN RETOURDRUK BELANGRIJK. VERKEERDE DRUK KAN PERSOONLIJK LETSEL OF BESCHADIGING VAN HET GEREEDSCHAP TOT GEVOLG HEBBEN. DE TREK- EN RETOURDRUKKEN DIE DOOR DE HYDRAULISCHE POMPEENHEID WORDEN GELEVERD, MOGEN NIET HOGER WORDEN DAN DE DRUKKEN DIE WORDEN VERMELD IN DE SPECIFICATIES VAN HET BLINDKLINKNAGELGEREEDSCHAP.

BELANGRIJK - VOOR HET BLINDKLINKNAGELGEREEDSCHAP EN DE HYDRAULISCHE SLANGENHEID IN DIENST TE NEMEN:

ZORG ERVOOR DAT DE DRUKAFLAATKLEPPEN VAN DE POMP ZIJN INGESTELD OVEREENKOMSTIG DE POMPINSTRUCTIES EN DE MAXIMUM DRUKKEN DIE ZIJN OPGEGEVEN VOOR HET BLINDKLINKNAGELGEREEDSCHAP EN DE SLANGEN.

ZORG ERVOOR DAT DE SLANGENSET IS VOORBEHANDELD MET HYDRAULISCHE VLOEISTOF, OVEREENKOMSTIG DE PROCEDURE IN DE POMPHANDLEIDING 07900-01030.

- Zorg ervoor dat de netvoeding naar de hydraulische pomp uitgeschakeld is.
- Sluit de snelkoppelingen van de hydraulische slang van het blindklinknagelgereedschap rechtstreeks op de pomp aan, voor het aansluiten van de elektrische bedieningskabel. Sluit slangen en besturingskabel in deze volgorde aan en voer het loskoppelen in de omgekeerde volgorde uit.
- Schakel de netvoeding naar de hydraulische pompeenheid in. Wacht 5 seconden zodat de pomp de startprocedure kan voltooien, voordat u op de bedieningsschakelaar drukt. Wanneer dat alles in orde is, zal op het LCD-scherm van de pomp 'AVDEL' verschijnen.
- Tijdens de opstartsequentie, identificeert het pompbedieningssysteem elke bediening van de trekker als een mogelijke storing en voorkomt het dat de motor start. In dat geval zal op het LCD-scherm 'KNOP - FOUT' verschijnen. U kunt het systeem resetten door gedurende 10 seconden de stroomvoorziening naar het gereedschap uit te schakelen.
- Zorg ervoor dat het blindklinknagelgereedschap zich onder de reservoirtanks van de pomp bevindt. Druk de schakelaar van het gereedschap enkele keren in en laat deze weer los, tot bijna een volledige slag van het gereedschap, zodat de hydraulische vloeistof kan doorstromen en lucht uit het gereedschap wordt verdreven.
- Observeer de werking van het gereedschap. Voer een controle uit op lekkages van de vloeistof en let erop dat in stationaire stand de zuiger in de volledig voorwaartse positie staat. Het gereedschap wordt gereedgemaakt voor gebruik.
- Schakel de netvoeding naar de hydraulische pompeenheid uit en koppel het blindklinknagelgereedschap daarna in omgekeerde volgorde los van de pompeenheid, zoals hierboven wordt beschreven.
- Sluit het blindklinknagelgereedschap nu aan op de voorbehandelde slangenset en de elektrische bedieningskabel. Sluit vervolgens de snelkoppelingen van de hydraulische slangen en elektrische besturingskabel aan op de pomp.
- Bevestig de neusstukken op het gereedschap, overeenkomstig de instructies in het betreffende gegevensblad van de neusstukken.
- Schakel de netvoeding naar de hydraulische pompeenheid in, zoals hierboven beschreven.
- Druk de trekkerschakelaar van het blindklinknagelgereedschap enkele keren in en laat deze weer los, tot bijna een volledige slag van het gereedschap, om de hydraulische vloeistof te laten stromen.
- Het blindklinknagelgereedschap is nu klaar voor gebruik.

4. BEDIENINGSINSTRUCTIES

4.1 HET PLAATSEN VAN EEN AVBOLT® BLINDKLINKNAGEL

- Controleer het werk en verwijder overmatige opening. (De opening is de ruimte tussen de componenten van de verbinding. Er is te veel ruimte als een onvoldoende deel van de achterzijde van de pen uit de kraag uitsteekt, zodat de klauwen van het neusstuk de pen niet kunnen vastpakken).
- Plaats de Avbolt® -blindklinknagel in het gat.
- Duw het neusstuk op de pen totdat het aambeeld van het neusstuk tegen de kraag stopt. Het gereedschap en het neusstuk moeten in een rechte hoek (90°) tegen het werk worden gehouden.
- Druk de trekkerschakelaar in om de installatiecyclus te starten.
- Wanneer de voorwaartse beweging van het aambeeld van de neusstukken stopt en de achterkant van de pen afbreekt, laat u de trekker los. Het gereedschap gaat over in de retourslag en duwt het geplaatste bevestigingsmateriaal weg. Aan het einde van de retourslag zullen de klemmen de verbruikte pen deels vrijgeven, zodat de pen kan worden verwijderd door het gereedschap iets omlaag te kantelen.
- Zodra het geïnstalleerde bevestigingsmiddel wordt uitgeworpen, zijn het gereedschap en de neusstukken klaar voor de volgende installatie.

4.2 HET PLAATSEN VAN EEN AVDELOK® XT BLINDKLINKNAGEL

- Controleer het werk en verwijder overmatige opening. (De opening is de ruimte tussen de componenten van de verbinding. Er is te veel ruimte als een onvoldoende deel van de achterzijde van de pen uit de kraag uitsteekt, zodat de klauwen van het neusstuk de pen niet kunnen vastpakken).
- Plaats de Avbolt® XT-blindklinknagel in het gat.
- Schuif de Avdelok® XT-kraag over de pen. (Het afgeschuinde uiteinde van de kraag moet in de richting wijzen van het neusstuk en het gereedschap.)
- Duw het neusstuk op de pen totdat het aambeeld van het neusstuk tegen de kraag stopt. Het gereedschap en het neusstuk moeten in een rechte hoek (90°) tegen het werk worden gehouden.
- Druk de trekkerschakelaar in om de installatiecyclus te starten.
- Wanneer de voorwaartse beweging van het aambeeld van de neusstukken stopt en de achterkant van de pen afbreekt, laat u de trekker los. Het gereedschap gaat over in de retourslag en duwt het geplaatste bevestigingsmateriaal weg. Aan het einde van de retourslag zullen de klemmen de verbruikte pen deels vrijgeven, zodat de pen kan worden verwijderd door het gereedschap iets omlaag te kantelen.
- Zodra het geïnstalleerde bevestigingsmiddel wordt uitgeworpen, zijn het gereedschap en de neusstukken klaar voor de volgende installatie.

LET OP - PROBEER NIET DE ACHTERZIJDE VAN EEN PEN AF TE BREKEN ZONDER EEN KRAAG TE PLAATSEN, OMDAT DAT ERTOE ZAL LEIDEN DAT HET NIET-BEVESTIGDE DEEL VAN DE PEN VAN DE AVDELOK® OF AVBOLT® MET HOGE SNELHEID EN GROTE KRACHT UIT HET NEUSSTUK WORDT GESLINGERD.

5. HET GEREEDSCHAP ONDERHOUDEN

BELANGRIJK - LEES DE VEILIGHEIDSINSTRUCTIES OP DE PAGINA'S 152 - 155. HET IS DE VERANTWOORDELIJKHEID VAN DE WERKGEVER DAT DE ONDERHOUDSINSTRUCTIES AAN DE JUISTE PERSONEELSLEDEN WORDEN GEGEVEN. DE GEBRUIKER MAG NIET BETROKKEN ZIJN BIJ ONDERHOUD OF REPARATIE VAN HET GEREEDSCHAP, TENZIJ HIJ/ZIJ DAARVOOR IS OPGELEID. HET GEREEDSCHAP MOET REGELMATIG WORDEN GECONTROLEERD OP SCHADE EN STORINGEN.

5.1 DAGELIJKS ONDERHOUD

- Controleer het blindklinknagelgereedschap, de slangen en de snelkoppelingen op olieklekken.
- Versleten of beschadigde slangen en koppelingen moeten vervangen worden.
- Controleer dat de slag van het gereedschap voldoet aan de specificaties.
- Controleer dat de steeldetector is geplaatst.
- Controleer dat het overdrukventiel voor het trekken/vooruit bewegen van de pomp goed werkt.
- Controleer op slijtage van het aanbeeld door afdrukmarkeringen op de geïnstalleerde kraag. Dit kan worden ook vastgesteld door te kijken naar de informatie voor de installatie in de catalogus van de blindklinknagels. Overmatige slijtage kan tot gevolg hebben dat het aanbeeld scheurt.

5.2 WEKELIJKS ONDERHOUD

- Demonteer en reinig de neusstukken, in het bijzonder de klemmen, zoals beschreven in het betreffende gegevensblad van de neusstukken.
- Controleer op olieklekken in het blindklinknagelgereedschap, de slangen en snelkoppelingen.

LET OP - Gebruik nooit oplosmiddelen of andere agressieve chemicaliën voor het reinigen van de niet-metalen onderdelen van het gereedschap. Deze chemicaliën kunnen de materialen verzwakken die in deze onderdelen worden gebruikt.

5.3 JAARLIJKS ONDERHOUD / ELKE 150.000 CYCLI

- Het gereedschap moet steeds na 150.000 cycli, of zoals aanbevolen, volledig worden gedemonteerd, en versleten of beschadigde onderdelen moeten door nieuwe onderdelen worden vervangen. Alle O-ringen, steunringen en afdichtingen moeten vóór de montage worden vervangen en gesmeerd met MolyKote® 111-vet.

5.4 ONDERHOUDSSET

Voor het volledige onderhoud is een servicepakket verkrijgbaar:

ONDERHOUDSSET: 73432-99990			
ONDERDEELNUMMER	BESCHRIJVING	ONDERDEELNUMMER	BESCHRIJVING
07005-10118	Snelkoppeling - mannelijk	07900-00972	AV30 Voorste stopbus van de geleidingsstang
07005-10120	Snelkoppeling - vrouwelijk	07900-00963	AV30 Zuigergeleidehuls
07900-00958	Eindkap - gereedschap voor de behuizing	07992-00020	Vet – MolyLithium EP3753
07900-00969	AV30 Zuigerafdichtingshuls	07900-00755	Vet – Molykote® 111
07900-00970	AV30 Zuigerafdichtingsplunjer	07900-00756	Loctite® 243 Threadlocker
07900-00971	AV30 Zuigerkogel - Voorzijde		

5.5 GEREEDSCHAPPEN VOOR HET ONDERHOUD

Het volgende standaardgereedschap is ook nodig:

- Inbussleutel: 2,0 / 3,0 mm
- Vlakke open spanner: 12 / 14 / 18 / 24 / 45 mm A/F
- PTFE-tape: 10 mm
- Monteursbankschroef met klemafschermingen – 150 mm

5.6 HYDRAULISCHE OLIE

LET OP – Gebruik alleen Enerpac® HF hydraulische olie – het gebruik van andere olie zal leiden tot een slechte werking van het blindklinknagelgereedschap en de pomp en zal de garantie voor het blindklinknagelgereedschap doen vervallen.

Hydraulische olie kan worden besteld onder vermelding van de volgende onderdeelnummers.

HYDRAULISCHE OLIE			
ONDERDEELNUMMER	07992-00081	07992-00082	07992-00083
Enerpac®- onderdeelnummer	HF-95X	HF-95Y	HF-95T
Inhoud	1 liter	5 liter	20 liter
Viscositeit	32 mm ² /s	32 mm ² /s	32 mm ² /s

5.7 INSTRUCTIES VOOR DE DEMONTAGE

BELANGRIJK – CONTROLEER DAT DE STROOMVOORZIENING VAN DE HYDRAULISCHE POMP IS UITGESCHAKELD VOOR U HET NEUSSTUK LOSNEEMT OF HET BLINDKLINKNAGELGEREEDSCHAP DEMONTEERT.

Vóór de demontage:

- Maak de snelkoppelingen **10** en **11** en de elektrische bedieningskabel **14** tussen het blindklinknagelgereedschap en de hydraulische slangeenheid los.
- Bevestig de neusstukken op het blindklinknagelgereedschap, overeenkomstig de instructies in het betreffende gegevensblad van de neusstukken.
- De potentieel gevaarlijke stoffen die zich mogelijk op de machine hebben afgezet als gevolg van de werkprocessen, moeten worden verwijderd vóór onderhoud wordt uitgevoerd.

Wij adviseren u voor volledig onderhoud van het gereedschap door te gaan met het demonteren van het gereedschap in de volgorde die wordt getoond op pagina's 162 tot 165. Wij adviseren u na het demonteren van het gereedschap alle afdichtingen te vervangen.

Montage van de zuigerkop:

- Met een kleine, platte schroevendraaier, pen **41** verwijderen van de spankopadapter **40**.
- De spankopadapter **40** van de zuiger **1** losschroeven en verwijderen.
- Klem de handgreep van het gereedschap in een werkbank met zachte klauwen, met de neus van het gereedschap naar beneden.
- Koppel de reserve *Snelkoppeling – Mannelijk naar de snelkoppeling – Vrouwelijk **11** aan op de hydraulische slang - Retour **18**. Hierdoor zal de druk van de retourzijde van de zuiger **1** vrijkomen, waardoor het eenvoudiger is om de eindkap **17** te verwijderen.
- Steek de *Eindkap - gereedschap voor de behuizing van de eindkap, in de eindkap **17**.
- Draai met een A/F-steeksleutel van 24 mm eindkap **17** los van de behuizing **2** en verwijder de eindkap.
- Verwijder O-ring **21** van de eindkap **17** met een kleine schroevendraaier en gooi de ring weg.
- Verwijder met behulp van een kleine, platte schroevendraaier of soortgelijk gereedschap de O-ring **30** en de spiraalvormige reserve-ring **36** van de externe groef op de eindkap **17** en gooi deze vervolgens weg. Wees bij het verwijderen van de afdichtingen voorzichtig zodat het oppervlak van de eindkap niet door de schroevendraaier wordt beschadigd.
- Haal het blindklinknagelgereedschap uit de bankschroef en laat de hydraulische olie uit de achterkant van het gereedschap lopen. Ontkoppel de reserve *Snelkoppeling – mannelijk van de Snelkoppeling - vrouwelijk **11**.
- Koppel de reserve *Snelkoppeling – Vrouwelijk naar de snelkoppeling – Mannelijk **10** aan op de hydraulische slang - Retour **19**. Hierdoor zal de druk van de aantrekzijde van de zuiger **1** vrijkomen, waardoor het eenvoudiger is om de zuiger **1** te verwijderen.
- Schroef de *Zuigerkogel - voorkant op de voorkant van de zuiger **1**.
- Plaats de behuizing **2** met de neus naar boven op een werkbank. Daarna met een zachte hamer, de zuiger **1** naar de achterzijde van de behuizing tikken, waarbij u voorzichtig te werk gaat zodat de opening van de behuizing niet wordt beschadigd.
- NB. bij het verwijderen van de zuiger **1**, zal aan de aantrekzijde van de zuiger, olie uit de voorzijde en achterzijde van de behuizing **2** lekken.

Alle **vetgedrukte** nummers verwijzen naar de Algemene montage en Onderdelenlijst op de pagina's 166, 167 en 168.

* Onderhoudskit op pagina 161.

- Tijdens het verwijderen van de zuiger **1**, kan de voorste stopbuspakking **15** aan de zuigeras bevestigd blijven. Schroef, als dat geval is, de *Zuigerkogel - Voorzijde los en trek de voorste stopbuspakking los van de zuiger.
- De zuigerafdichting **26** is een afdichting bestaande uit twee delen, een externe afdichtingsring en een binnenste O-ring. Snij met een mesje de externe afdichtingsring door en neem deze uit de buitenste groef van zuiger **1**. Verwijder vervolgens met een kleine, platte schroevendraaier de binnenste O-ring van de zuiger en gooi de ring weg. Wees bij het verwijderen van de afdichtingen voorzichtig zodat u het oppervlak van de zuiger niet beschadigt.
- Als de voorste stopbuspakking **15** in de behuizing **2** blijft zitten. Plaats de behuizing met de neus naar boven wijzend op een werkbank en duw vervolgens vanaf de voorzijde de voorste stopbuspakking uit de uitsparing in de behuizing. De voorste stopbuspakking kan vervolgens aan de achterzijde van de behuizing worden uitgenomen. Ga bij het verwijderen voorzichtig te werk zodat de opening van de behuizing niet wordt beschadigd.
- Verwijder de O-Ring **23** en de spiraalvormige backup-ring **34** met een kleine schroevendraaier uit de externe groef in de voorste stopbuspakking **15** en gooi ze weg. Ga bij het verwijderen van de afdichtingen voorzichtig te werk zodat u het oppervlak van de voorste stopbuspakking niet beschadigt met de schroevendraaier.
- Verwijder de stangafdichting **25** en de schraperafdichting **22** uit de interne groeven op de voorste stopbuspakking **15** en gooi deze weg. Ga bij het verwijderen van de afdichtingen voorzichtig te werk zodat u het oppervlak van de voorste stopbuspakking niet beschadigt met de schroevendraaier.
- Verwijder de voorste lagerring **24** en controleer het onderdeel op slijtage en beschadiging. Indien noodzakelijk weggooien.
- Met een kleine, platte schroevendraaier de O-ring **21** verwijderen van de behuizing **2** en weggooien.
- Verwijder de reserve *Snelkoppeling – Vrouwelijk van de snelkoppeling – Mannelijk 10 op de hydraulische slang - Aantrekken **19**.
- De stelschroef **42** niet verwijderen uit de behuizing **2**.

De demontage in omgekeerde volgorde uitvoeren, waarbij gelet moet worden op de volgende punten:

- Reinig alle onderdelen vóór montage.
- Breng om de montage van dichtingen te vergemakkelijken een lichte coating van Molykote® 111-vet aan op alle dichtingen, groeven van dichtingen, backup-ringen en de montagegereedschappen.
- Schuif de O-Ring **23** over de voorste stopbuspakking **15** en in de externe groef. Steek de spiraalvormige reservering **34** in dezelfde groef, vóór de geplaatste O-ring. Zie de Algemene montage en Onderdelenlijst voor de juiste oriëntatie van de O-ring en spiraalvormige reservering.
- Druk de voorste lagerring **24** in de interne uitsparing in de voorste stopbuspakking **15** en plaats vervolgens de stangafdichting **25** achter de voorste lagerring. Plaats de schraperafdichting **22** in de voorste uitsparing van de voorste stopbuspakking. Zie Algemene montage voor de juiste oriëntatie van de stangafdichting en schraperafdichting.
- Smeer het oppervlak en de voorste rand van de boring van de behuizing **2**, waarin de voorste stopbuspakking **15** geplaatst wordt, in met Molykote® 111-vet.
- Smeer het insteekteinde op het *gereedschap voor de geleidingsstang van de voorste pakking in en plaats vervolgens de voorste stopbuspakking **15**, de stangafdichting **25** met het einde eerst volledig over het insteekteinde. Steek de *geleidingsstang van de voorste pakking in de achterkant van de behuizing **2** en duw vervolgens de voorste stopbuspakking volledig in de boring in de behuizing. Het gebruik van een duwmechanisme of bankschroef kan noodzakelijk zijn, omdat het in de behuizing steken van de voorste stopbuspakking heel wat kracht vraagt. Verwijder *de geleidingsstang voor de voorste stopbus, terwijl tegelijkertijd wordt gecontroleerd dat de voorste stopbuspakking op zijn plaats blijft zitten.
- Smeer de dichtingsgroef en de grote externe diameter van de zuiger **1** met Molykote® 111-vet. Schuif de zuigerafdichting **26** over de voorkant van de grootste diameter van de zuiger en in de groef van de afdichting.
- Schroef de *zuigerkogel - voorzijde op de zuiger **1**. Plaats de *zuigerafdichtingshuls over de zuigeras en vervolgens de buitenste afdichtingsring van zuigerafdichting **26** over de *zuigerafdichtingshuls zodat deze rust op het taps toelopende deel. Smeer het oppervlak van *zuigerafdichtingshuls met Molykote® 111-vet.
- Plaats de *zuigerafdichtingsplunjer over de as van zuiger **1** en de *zuigerafdichtingshuls zo, dat het open uiteinde van de *zuigerafdichtingsplunjer rust op de buitenste afdichtingsring van zuigerafdichting **26**. Duw met de *zuigerafdichtingsplunjer de buitenste afdichtingsring over de *zuigerafdichtingshuls en de groef van de zuigerafdichting. Het gebruik van een duwmechanisme of bankschroef kan noodzakelijk zijn, omdat het laten uitzetten en in de buitenste afdichtingsring op de Zuiger steken heel wat kracht vraagt.
- Neem de *zuigerafdichtingsplunjer en de *zuigerafdichtingshuls van zuiger **1**. Smeer de *zuigerkogel - voorkant, de zuigeras en de zuigerdichting **26** in met Molykote® 111-vet.

Alle **vetgedrukte** nummers verwijzen naar de Algemene montage en Onderdelenlijst op de pagina's 166, 167 en 168.

* Onderhoudskit op pagina 161.

- Schroef de *geleidingssleuf van de zuiger volledig op de achterkant van de behuizing **2**. Smeer de openingen in zowel de behuizing als de *zuigergeleidehuls met Molykote® 111-vet.
- Koppel de reserve *snelkoppeling – vrouwelijk naar de snelkoppeling – mannelijk **10** aan op de hydraulische slang - Aantrekken **19**. Dit zal ervoor zorgen dat er lucht wordt vrijgelaten van de trekzijde van de zuiger **1** tijdens het plaatsen van de zuiger.
- Plaats de gemonteerde zuiger **1** in de achterkant van de behuizing **2** en door de gemonteerde voorste stopbuspakking **15**. Duw de zuiger geheel naar de voorste positie, tot tegen de voorste stopbuspakking. Er zal hydraulische olie uit de hydraulische slang - Aantrekken **19** worden geduwd. Het gebruik van een duwmechanisme of bankschroef kan noodzakelijk zijn, omdat het in de behuizing insteken van de voorste stopbuspakking heel wat kracht vraagt.
- Verwijder de reserve *snelkoppeling – vrouwelijk van de snelkoppeling – mannelijk **10** op de hydraulische slang - Retour **19**. Verwijder de *zuigergeleidehuls uit de achterkant van de behuizing **2**.
- Schuif de O-ring **30** over de eindkap **17** en in de externe groef. Steek de spiraalvormige reservering **36** in dezelfde groef, achter de geplaatste O-ring. Zie de Algemene montage en Onderdelenlijst voor de juiste oriëntatie van de O-ring en spiraalvormige reservering.
- Druk de achterste lagerring **29** in de interne uitsparing in de achterste dichtingspakking **16** en plaats vervolgens de stangdichting **28** achter de achterste lagerring. Plaats de schraperafdichting **31** in de achterste uitsparing van de achterste dichtingspakking. Zie Algemene montage voor de juiste oriëntatie van de stangafdichting en schraperafdichting.
- Klem de handgreep van het gereedschap in een werkbank met zachte klauwen, met de neus van het gereedschap naar beneden.
- Smeer het oppervlak en de voorste rand van de boring van de behuizing **2**, waarin de achterste dichtingspakking **16** geplaatst wordt, in met Molykote® 111-vet.
- Vul de achterkant van de behuizing **2** met Enerpac® HF hydraulische olie. Het oliepeil moet net boven de inlaatopening aan de achterzijde van de behuizing zijn.
- Koppel de reserve *Snelkoppeling - Mannelijk naar de snelkoppeling – Vrouwelijk **11** aan op de hydraulische slang – Retour **18**. Hierdoor is het mogelijk dat tijdens het plaatsen van de eindkap **17** lucht kan vrijkomen aan de retourzijde van de zuiger **1**.
- Smeer zowel de interne schroefdraad in de behuizing **2** als de externe schroefdraad op de eindkap **17** in met MolyLithium-vet.
- Steek de eindkap **17** in de achterzijde van de behuizing **2**, en ga daarbij voorzichtig te werk zodat de O-ring **30** en de spiraalvormige reserve-ring **36** op beide schroefdraden van de behuizing niet worden beschadigd. Schroef de eindkap **17** volledig in de achterzijde van de behuizing; gebruik hiervoor het *gereedschap voor montage van de eindkap. Wanneer u dat doet zal een kleine hoeveelheid olie uit de hydraulische slang worden geduwd - Terugtrekken **18**.
- Verwijder de reserve *snelkoppeling - mannelijk van de snelkoppeling - vrouwelijk **11** op de hydraulische slang - Retour **18**.
- Schroef de spankopadapter **40** op de zuiger **1** tot de voorzijde gelijk uitkomt met het einde van de zuiger. Lijn de opening van de spankopadapter uit met de groef in het einde van de zuiger en steek vervolgens de borgpen **41** in.
- Het gereedschap voorbereiden zoals beschreven in Gereed maken voor gebruik op pagina 159.

Slangenset:

- Verwijder de twee schroeven **9** uit de slangklem **13** met een 3,0 mm inbussleutel. Verwijder de slangklem en het kleminzetstuk **20** van de beschermende huls **37** en hydraulische slangen - Terugtrekken **18** en Aantrekken **19**.
- Druk het tussenstuk voor de handgreep **8** met een kleine platte schroevendraaier uit de handgreep van behuizing **2**. Het tussenstuk voor de handgreep over de beschermende huls **37**, hydraulische slang - Terugtrekken **18** en Aantrekken **19** en verwijderen.
- Snij de kabelbinder **35** en schuif de beschermende huls **37** terug om de koppelingen op de hydraulische slangen **18** en **19** bloot te leggen. De hydraulische slangen kunnen van behuizing **2** worden verwijderd met steeksleutels 12 mm en 14 mm.
- De snelkoppelingen - mannelijk **10** en vrouwelijk **11** kunnen van de hydraulische slangen **18** en **19** verwijderd worden met 18 mm en 24 mm steeksleutels.
- U kunt aan/uit-schakelaar **7** losnemen door eerst kabelafdichting **38** los te maken, zodat de bedieningskabel **14** vrij kan bewegen binnen behuizing **2**. Draai vervolgens M4-stelschroef **12** los met een inbussleutel van 2,0 mm.
- Duw bedieningskabel **14** in behuizing **2** en trek tegelijkertijd aan/uit-schakelaar **7** uit de behuizing zodat de soldeerverbindingen op de aansluitingen van de aan/uit-schakelaar bloot komen te liggen. Soldeer de aansluitingen los

Alle **vetgedrukte** nummers verwijzen naar de Algemene montage en Onderdelenlijst op de pagina's 166, 167 en 168.

* Onderhoudskit op pagina 161.

zodat u de Aan/uit-schakelaar en het inzetstuk van Schakelaar **39** kunt losnemen. Het inzetstuk van de Schakelaar is aan de Aan/uit-schakelaar gelijmd en kan niet worden verwijderd.

- U kunt nu bedieningskabel **14** uit behuizing **2** en uit beschermende huls **37** trekken.

De demontage in omgekeerde volgorde uitvoeren, waarbij gelet moet worden op de volgende punten:

- Reinig vóór montage alle schroefdraden van de snelkoppeling – mannelijk **10** en vrouwelijk **11** en de hydraulische slangen - Retour **18** en trek **19**. Breng vervolgens twee tot drie lagen PTFE-tape (10 mm) aan op de mannelijke schroefdraad van beide hydraulische slangen.
- Als de aan/uit-schakelaar **7** wordt teruggeplaatst, dient *Loctite® 243 aangebracht te worden op de mannelijke draad op de aan/uit-schakelaar voordat het inzetstuk van de schakelaar **39** wordt gemonteerd.
- Breng vóór de montage *Loctite® 243 aan op stelschroef M4 **12**.
- Maak het gereedschap, zodra het is gemonteerd, gereed voor gebruik volgens de instructies op pagina 159.

5.8 HET MILIEU BESCHERMEN

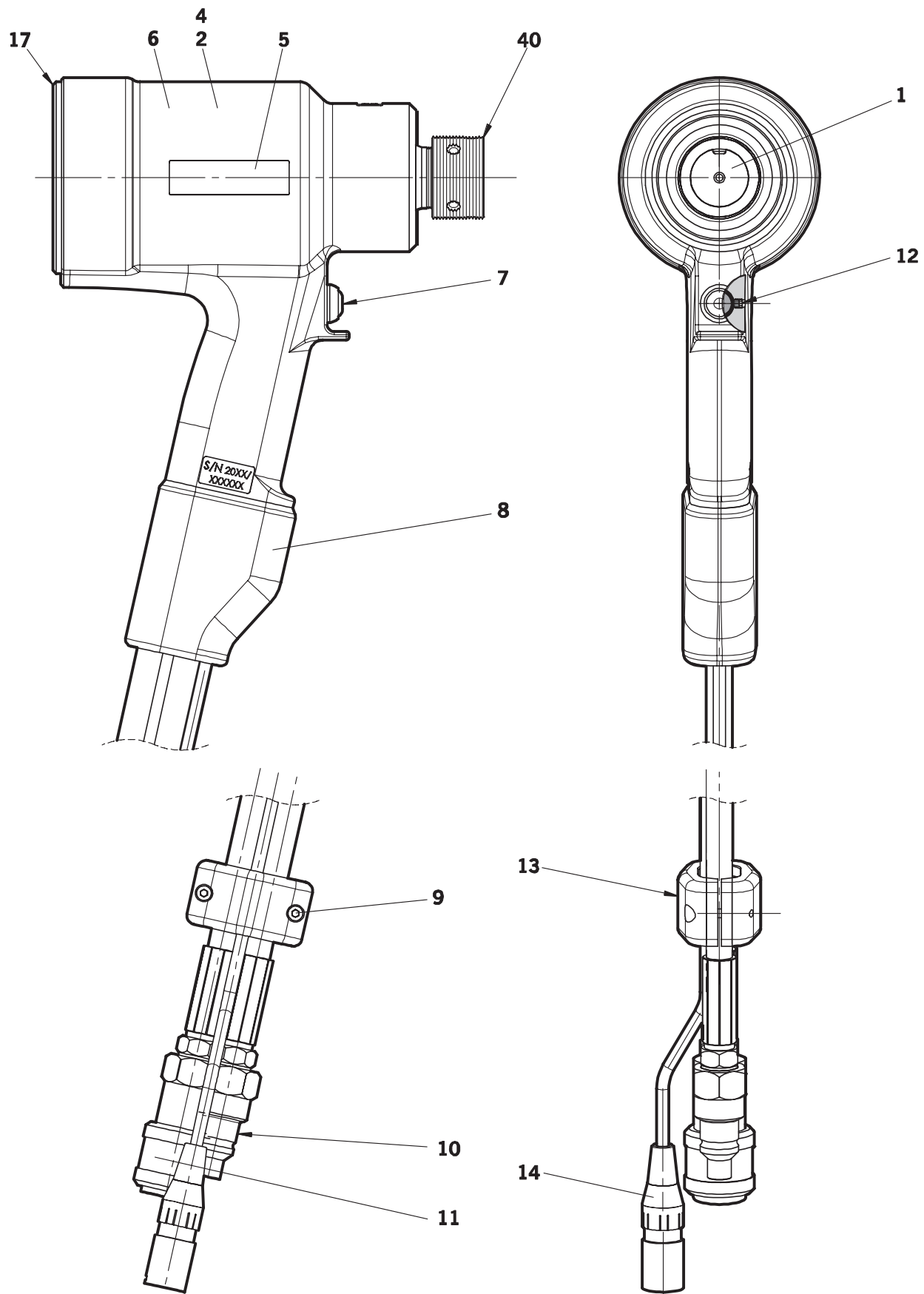
- Volg de van toepassing zijnde afvoervoorschriften. Alle afvalproducten moeten worden afgevoerd naar een goedgekeurde afvalvoorziening of soortgelijke locatie, zodat het personeel en het milieu niet aan risico's worden blootgesteld.

Alle **vetgedrukte** nummers verwijzen naar de Algemene montage en Onderdelenlijst op de pagina's 166, 167 en 168.

* Onderhoudskit op pagina 161.

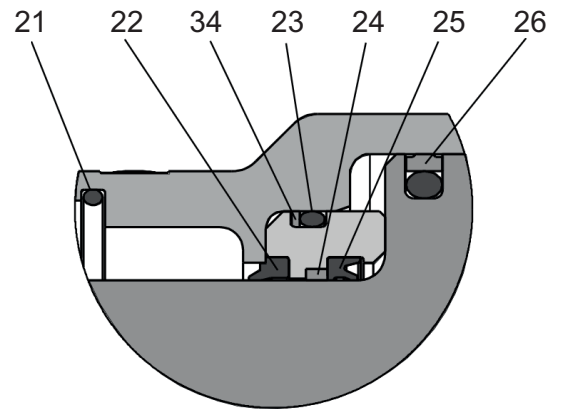
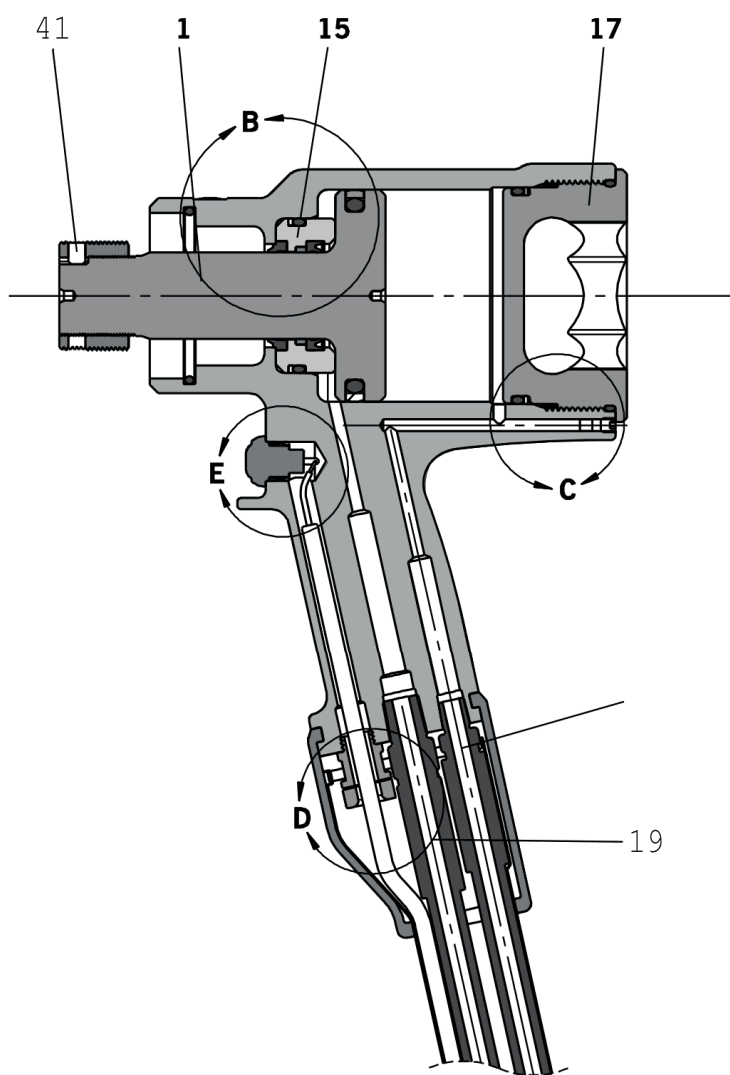
6. ALGEMENE MONTAGE- EN ONDERDELENLIJST

6.1 ALGEMENE MONTAGE

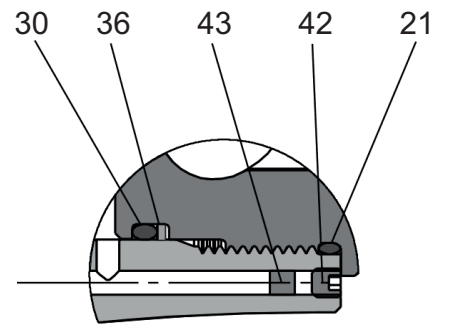


ITEM 37 PROTECTIVE SLEEVE
REMOVED FOR CLARITY

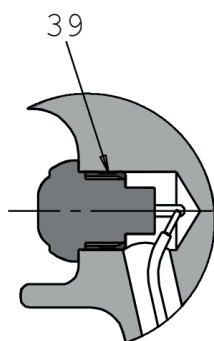
ITEM 37 PROTECTIVE SLEEVE
REMOVED FOR CLARITY



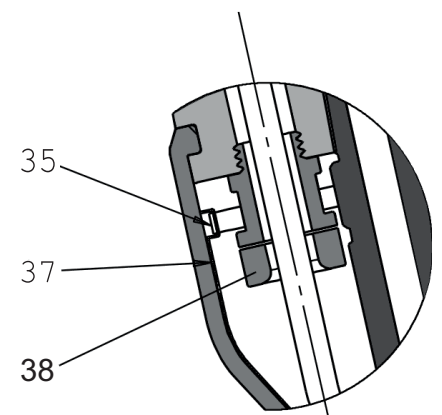
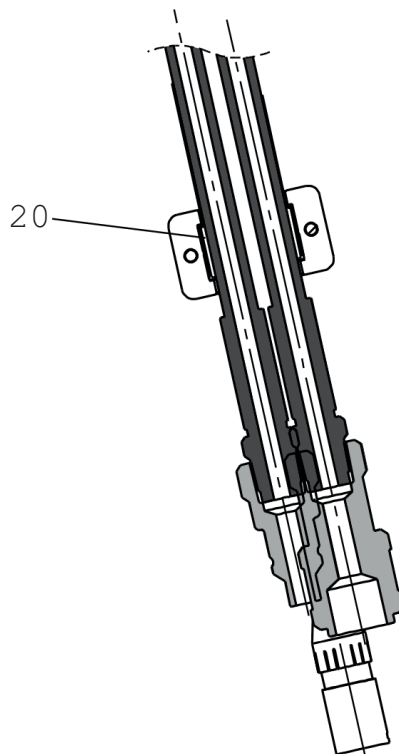
DETAIL B



DETAIL C



DETAIL E



DETAIL D

6.2 ONDERDELENLIJST

73432-02000		Onderdelenlijst	
ONDERDEEL	ONDERDEELNUMMER	BESCHRIJVING	AANTAL
1	73434-02003	ZUIGER	1
2	73434-02001	BODY	1
3			
4	73425-02016	VEILIGHEIDSLABEL	1
5	73434-02026	LABEL AV30	2
6	07007-01504	LABEL CE & UKCA	1
7	07007-02103	AAN/UIT-SCHAKELAAR	1
8	73430-02020	TUSSENSTUK VOOR DE HANDGREEP	1
9	07001-00686	M4 X 16 SKT KAP HD SCHROEF	2
10	07005-10118	SNELKOPPELING - MANNELIJK	1
11	07005-10120	SNELKOPPELING – VROUWELIJK	1
12	07001-00479	M4 X 4 SKT STELSCHROEF	1
13	73430-02023	SLANGKLEM	1
14	07007-02105	BEDIENINGSKABEL	1
15	73434-02004	VOORSTE STOPBUSPAKKING	1
16			
17	73434-02005	EINDKAP	1
18	07005-10119	HYDRAULISCHE SLANG - TERUGTREKKEN	1
19	07005-10117	HYDRAULISCHE SLANG - AANTREKKEN	1
20	73430-02024	KLEM - TUSSENSTUK	1
21	07003-00463	O-RING	2
22	07003-00452	SCHRAPERAFDICHTING	1
23	07003-00461	O-RING	1
24	73434-02009	VOORSTE LAGERRING	1
25	07003-00451	STANGAFDICHTING	1
26	07003-00453	ZUIGERAFDICHTING	1
27			
28			
29			
30	07003-00464	O-RING	1
31			
32			
33			
34	07003-00494	SPIRAALVORMIGE STEUNRING	1
35	07007-02032	KABELBINDER	1
36	07003-00496	SPIRAALVORMIGE STEUNRING	1
37	07005-10121	BESCHERMENDE HULS	0,6 m
38	07007-02104	KABELPAKKING	1
39	73430-02008	INZET SCHAKELAAR	1
40	73434-02012	SPANKOPADAPTER	1
41	73434-02013	VERGRENDELINGSPIN	1
42	07001-00481	M5 X 5 SKT STELSCHROEF	1
-	07900-01022	INSTRUCTIEHANDLEIDING AV30 GEREEDSCHAP	1

7. VEILIGHEIDSINFORMATIE

7.1 ENERPACE® HF HYDRAULISCHE OLIE - VEILIGHEIDSINFORMATIE

EERSTE HULP

HUID:

Veroorzaakt geen ernstige schade aan de huid bij kortstondig of incidenteel contact, maar blootstelling gedurende langere tijd kan leiden tot huidontsteking. De huid zo snel mogelijk met water en zeep grondig wassen voor zover praktisch mogelijk. Verwijder sterk vervuilde kleding en was de onderliggende huid.

MOND:

Veroorzaakt waarschijnlijk geen letsel bij toevallig inslikken in kleine hoeveelheden, maar bij grotere hoeveelheden kan het misselijkheid en diarree veroorzaken. Als er aantasting van de mond plaatsvindt, spoel dan grondig met water. Tenzij een bewuste handeling, is de inname van grote hoeveelheden van het product onwaarschijnlijk. Mocht dit voorkomen, probeer dan niet te braken en raadpleeg onmiddellijk een arts. Breng de persoon direct naar het dichtstbijzijnde arts.

OGEN:

Het is onwaarschijnlijk dat het meer veroorzaakt dan tijdelijk prikken en roodheid van de ogen als er toevallig contact met de ogen plaatsvindt. Was de ogen grondig met veel water, hierbij de oogleden open houdend. Raadpleeg een arts als de pijn of roodheid aanhoudt of verergert.

MEDISCH ADVIES:

Behandeling moet over het algemeen symptomatisch zijn en zijn gericht op het verzachten van de gevolgen.

Opmerking: Hogedruktoepassingen:

Injecties via de huid, als gevolg van contact met het product onder hoge druk, veroorzaken een belangrijk medisch noodgeval. Letsels kunnen in het begin misschien niet ernstig lijken, maar binnen enkele uren gaat het weefsel zwellen, verkleuren en wordt het extreem pijnlijk met uitgebreide onderhuidse necrose.

Dit moet zonder uitstel chirurgisch onderzocht worden. Een grondige en uitgebreide verzorging van de wond en van het onderliggende weefsel is noodzakelijk zodat weefselverlies tot een minimum wordt beperkt en permanente beschadiging wordt voorkomen of beperkt. NB. hoge druk kan het product aanzienlijke afstanden in weefseloppervlakken kan drukken.

VERWIJDERING

Verwijder alle gemorste resten met inert absorberend materiaal. Ventileer de omgeving waar is gemorst. Breng het afval naar een daarvoor bestemde afvalcontainer en gooi weg volgens de lokale regelgeving.

BRAND

VLAMPUNT: 200°C.

Blussen met droog chemisch blusmiddel, schuim of koolstofdioxide. Ga niet naar binnen in een afgesloten ruimte zonder onafhankelijke ademhalingsapparatuur.

BEHANDELING

Gebruik beschermende crème of oliebestendige handschoenen.

OPSLAG

Afgedekt en in overeenstemming met lokale regelgeving op het gebied van brandbaar materiaal.

7.2 MOLYLITHIUM VET EP 3753 - VEILIGHEIDSINFORMATIE

Vet kan worden besteld als een enkel item, het onderdeelnummer worden weergegeven op pagina van de onderhouds-kit 161.

EERSTE HULP

HUID:

Omdat het vet volledig waterbestendig is, kan dit het beste worden verwijderd met een goedgekeurde emulgerende huidreiniger.

INSLIKKEN:

Drink 30 ml Magnesiummelk, bij voorkeur in een beker melk.

OGEN:

Irriterend maar niet schadelijk. Spoel de ogen met water en raadpleeg een arts.

BRAND

VLAMPUNT: Boven 220 °C.

Niet geclassificeerd als brandbaar.

Geschikt blusmateriaal: CO₂ Halon of waternevel indien toegepast door een ervaren gebruiker.

MILIEU

Ruim het zoveel mogelijk op zodat het kan worden verbrand of worden verwerkt op een goedgekeurde locatie.

BEHANDELING

Gebruik beschermende crème of oliebestendige handschoenen

OPSLAG

Uit de buurt van warmte en oxiderende stoffen.

7.3 MOLYKOTE® 111-VET - VEILIGHEIDSGEGEVENS

Vet kan worden besteld als een enkel item, het onderdeelnummer worden weergegeven op pagina van de onderhouds-kit 161.

EERSTE HULP

HUID:

Er is geen eerste hulp nodig.

INSLIKKEN:

Er is geen eerste hulp nodig.

OGEN:

Er is geen eerste hulp nodig.

INADEMING:

Er is geen eerste hulp nodig.

BRAND

VLAMPUNT: Boven 101,1°C. (gesloten kom)

Explosieve eigenschappen: Nee

Geschikt blusmateriaal: Kooldioxideschuim, droog poeder of waternevel. Aan vuur blootgestelde containers kunnen worden gekoeld met water.

MILIEU

Negatieve effecten worden niet voorzien.

BEHANDELING

Algemene ventilatie wordt aanbevolen. Vermijd huidcontact.

OPSLAG

Niet opslaan bij oxiderende stoffen. Houd container gesloten en sla deze niet op bij water of vocht.

8. FOUTDIAGNOSE

SYMPTOOM	MOGELIJKE OORZAAK	OPLOSSING	PAGINA REF.
Het blindklinknagelgereedschap werkt niet	Niet werkende pomp	Controleer de toevoer naar de pomp en lees de gebruiksaanwijzing van de pomp	
	Defecte snelkoppelingen 10 en 11	Vervang de snelkoppelingen	165
	Besturingskabel bedieningsschakelaar 14 niet correct aangesloten	Controleer dat de besturingskabel goed op de pomp en het blindklinknagelgereedschap is aangesloten	159
Aan/uit-schakelaar 7 werkt niet	Beschadigde bedieningsschakelaar 7 of besturingskabel 14	Vervang de bedieningsschakelaar en/of besturingskabel	165
	Pomp in lokale stand	Zie de gebruiksaanwijzing van de pomp	
De pomp draait maar het blindklinknagelgereedschap werkt niet	Bedieningsschakelaar 7 , besturingskabel 14 of verbindingstuk beschadigd	Vervang de bedieningsschakelaar en/of besturingskabel	165
	Hydraulische slangen niet aangesloten	Controleer de juiste aansluitingen aan de pomp en het blindklinknagelgereedschap	159
	Laag oliepeil	Zorg ervoor dat het blindklinknagelgereedschap met olie is gevuld en goed is voorbehandeld Zie de gebruiksaanwijzing van de pomp	159
	Externe lekkage van olie van het blindklinknagelgereedschap	Inspecteer het blindklinknagelgereedschap – vervang versleten of beschadigde componenten	162 - 165
	Externe lekkage van olie van de slangenset	Inspecteer de slangenset - controleer of de slangverbindingen goed vastzitten en/of vervang versleten slangverbindingstukken	165
	Interne/externe lekkage van olie van de pomp	Zie de gebruiksaanwijzing van de pomp	
	Lage of onregelmatige toevoer van hydraulische druk	Zie de gebruiksaanwijzing van de pomp	
Het blindklinknagelgereedschap werkt onregelmatig	Versleten of beschadigde hydraulische afdichtingen in het blindklinknagelgereedschap	Inspecteer het blindklinknagelgereedschap – vervang versleten of beschadigde afdichtingen	162 - 165
	Versleten of beschadigde oppervlakken van de hydraulische afdichtingen in het blindklinknagelgereedschap	Inspecteer het blindklinknagelgereedschap – vervang versleten of beschadigde componenten	162 - 165
	Interne/externe lekkage van olie van de pomp	Zie de gebruiksaanwijzing van de pomp	
Volledige druk van de pomp is opgebouwd, maar de achterzijde van de pen breekt niet af	Lastscheiding is hoger dan het vermogen van het blindklinknagelgereedschap op volledig vermogen	Vervangen conform de specificatie van het blindklinknagelgereedschap	156
	Toevoer naar het blindklinknagelgereedschap geblokkeerd	Controleer snelkoppelingen 10 en 11 op volledige vastheid	159
	Waarde van de drukontlasting van de pomp te laag ingesteld	Instellingen van de drukontlastingsklep aanpassen - zie de installatiehandleiding van de pomp	
	Aantreggroeven op de achterzijde van de pen van de blindklinknagel verdwenen	Zie symptoom op pagina 172	160
	Onjuiste bediening van het gereedschap		160

SYMPTOOM	MOGELIJKE OORZAAK	OPLOSSING	PAGINA REF.
Zuiger van het blindklinknagelgereedschap 1 keert niet terug	Retourstroom beperkt of geblokkeerd	Controleer de snelkoppelingen 10 en 11 op volledige werking en/of defect	159
	Hydraulische slangen niet aangesloten	Controleer de juiste aansluitingen aan de pomp en het blindklinknagelgereedschap	159
	Storing of defect pompklep	Zie de gebruiksaanwijzing van de pomp	
Het blindklinknagelgereedschap werpt de kraag niet uit van het aambeeld	Instelling van de terugslag-timer van de pomp onjuist - te laag ingesteld	De terugslag-timer aanpassen naar de aanbevolen instelling - zie de gebruiksaanwijzing van de pomp	
	Waarde van de terugslag-drukontlastingsklep van de pomp te laag ingesteld	Instellingen van de terugslag-drukontlastingsklep wijzigen naar de juiste instelling - zie de gebruiksaanwijzing van de pomp	
	Lage of onregelmatige toevoer van hydraulische druk	Zie de gebruiksaanwijzing van de pomp	
	Versleten of beschadigde hydraulische afdichtingen in het blindklinknagelgereedschap	Inspecteer het blindklinknagelgereedschap - vervang versleten of beschadigde afdichtingen	162 - 165
	Versleten of beschadigde oppervlakken van de hydraulische afdichtingen in het blindklinknagelgereedschap	Inspecteer het blindklinknagelgereedschap - vervang versleten of beschadigde componenten	162 - 165
	Interne/externe lekkage van olie van de pomp	Zie de gebruiksaanwijzing van de pomp	
Aantregroeven op de achterkant van de pen van de blindklinknagel tijdens de installatie beschadigd/verdwenen	Gebruiker heeft voorafgaand aan het gebruik van het gereedschap, de neus niet volledig op de achterzijde van de pen van de blindklinknagel aangebracht	Instrueer de gebruiker over de juiste methode van het plaatsen	160
	Onjuiste lengte bevestiging/lengte handgreep	Gebruik de juiste bevestiging	
	Versleten of beschadigde klauwdelen	Controleer en vervang de klauwset - raadpleeg het gegevensblad van de neusstukken	160
	Verontreiniging in de kopsegmenten en/of groeven van de achterzijde van de pen	Reinig de kopsegmenten - zie de datasheet van het neusstuk	
Avdelok®- of Avbolt®-kraag niet volledig vastgeklonken De achterzijde van de pen komt niet vrij van het neusstuk	Overmatige plaatopening	Sluit de opening tussen de twee bladen	160
	Onjuiste bediening van het gereedschap		160
	Versleten opening van het aambeeld	Controleer en vervang het aambeeld - zie de datasheet van het neusstuk	
Gereedschap en de hydraulische olie worden heet	Onjuiste montage van het neusstuk	Raadpleeg het gegevensblad van het neusstuk	
	Beperking in de hydraulische leiding	Controleer de hydraulische snelkoppelingen 10 en 11 en vervang indien nodig	165
Hydraulische snelkoppelingen 10 en 11 lekken olie	Hoge omgevingstemperatuur		
	Versleten O-ring in de behuizing van de snelkoppeling - mannelijk 10	Vervang de O-ring en reservering in de snelkoppeling 10	165

Alle **vetgedrukte** nummers verwijzen naar de Algemene montage en Onderdelenlijst op de pagina's 166, 167 en 168.

* Onderhoudskit op pagina 161.

9. CE CONFORMITEITSVERKLARING

Wij, **Stanley Engineered Fastening, Stanley House, Works Road, Letchworth Garden City, Hertfordshire, SG6 1JY UNITED KINGDOM**, verklaren hierbij, uitsluitend op eigen verantwoordelijkheid, dat het product:

Beschrijving: AV30 HYDRO-ELEKTRISCH GEREEDSCHAP

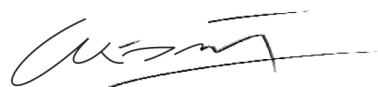
Model: AV30 GEREEDSCHAP VOOR DE BOUW – 73434-02000

waarop deze verklaring van toepassing is, voldoet aan de volgende geharmoniseerde standaarden:

ISO 12100:2010	EN ISO 3744:2010
EN ISO 11202:2010	EN ISO 11148-1:2011
EN ISO 4413:2010	EN ISO 20643:2008+A1:2012
EN ISO 4414:2010	ES100118-rev 17:2017
EN ISO 28927-5:2009+A1:2015	

De technische documentatie is opgesteld overeenkomstig bijlage 1, sectie 1.7.4.1, in navolging van de volgende richtlijn: **2006/42/EG Machinerichtlijn** (waarnaar de Engelse Statutory Instruments 2008 No 1597 - The Supply of Machinery (Safety) Regulations verwijzen).

Ondergetekende legt deze verklaring af namens STANLEY Engineered Fastening



A. K. Seewraj

Director of Engineering, VERENIGD KONINKRIJK

Avdel UK Limited, Stanley House, Works Road, Letchworth Garden City, Hertfordshire, SG6 1JY VERENIGD KONINKRIJK

Plaats van afgifte: Letchworth Garden City, VERENIGD KONINKRIJK

Afgiftedatum: 12-12-2011

Ondergetekende is verantwoordelijk voor de samenstelling van de technische documentatie voor producten die binnen de Europese Unie worden verkocht en stelt deze verklaring op uit naam van Stanley Engineered Fastening.

Matthias Appel

Team Leader Technical Documentation

Stanley Engineered Fastening, Tucker GmbH, Max-Eyth-Str.1, 35394 Gießen, Duitsland



Deze machine is in overeenstemming met
Machinerichtlijn 2006/42/EG

10.VK VERKLARING VAN OVEREENSTEMMING

Wij, **Stanley Engineered Fastening, Stanley House, Works Road, Letchworth Garden City, Hertfordshire, SG6 1JY UNITED KINGDOM**, verklaren hierbij, uitsluitend op eigen verantwoordelijkheid, dat het product:

Beschrijving: AV30 HYDRO-ELEKTRISCH GEREEDSCHAP

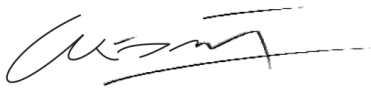
Model: AV30 GEREEDSCHAP VOOR DE BOUW – 73434-02000

waarop deze verklaring van toepassing is, voldoet aan de volgende geharmoniseerde standaarden:

ISO 12100:2010	EN ISO 3744:2010
EN ISO 11202:2010	EN ISO 11148-1:2011
EN ISO 4413:2010	EN ISO 20643:2008+A1:2012
EN ISO 4414:2010	ES100118-rev 17:2017
EN ISO 28927-5:2009+A1:2015	

De technische documentatie is opgesteld in overeenkomst met de Levering van machineregelgeving (Veiligheid) 2008, S.I. 2008/1597 (zoals gewijzigd).

Ondergetekende legt deze verklaring af namens STANLEY Engineered Fastening



A. K. Seewraj

Director of Engineering, VERENIGD KONINKRIJK

Avdel UK Limited, Stanley House, Works Road, Letchworth Garden City, Hertfordshire, SG6 1JY VERENIGD KONINKRIJK

Plaats van afgifte: Letchworth Garden City, VERENIGD KONINKRIJK

Afgiftedatum: 12-12-2011



Deze machine is in overeenstemming met
Veiligheidsvoorschriften voor het beschikbaar stellen van
machines 2008,
S.I. 2008/1597 (zoals gewijzigd)

11. BESCHERM UW INVESTERING!

Stanley® Engineered Fastening BLINDKLINKNAGELGEREEDSCHAP - GARANTIE

STANLEY® Engineered Fastening garandeert dat al het elektrisch gereedschap zorgvuldig is geproduceerd en dat het vrij is van gebreken in materialen of uitvoering, bij normaal gebruik en service, voor een periode van één (1) jaar.

Deze garantie heeft betrekking op de eerste aankoper van het gereedschap en enkel voor bedoeld gebruik.

Uitzonderingen:

Normale slijtage.

Periodiek onderhoud, reparaties en vervanging van onderdelen door normale slijtage en beschadiging vallen niet onder de garantie.

Misbruik & verkeerd gebruik.

Defecten of schade voortkomend uit onjuiste bediening, opslag, ruwe behandeling en verkeerd gebruik, ongelukken of verwaarlozing, zoals materiële beschadiging, vallen niet onder de garantie.

Ongeautoriseerde service of aanpassingen.

Defecten of schade voortvloeiend uit service, het testen van aanpassingen, installatie, onderhoud, wijzigingen of aanpassingen in welke vorm ook, die zijn uitgevoerd door iemand anders dan STANLEY® Engineered Fastening, of één van hun geautoriseerde servicecentra, vallen niet onder de garantie.

Alle andere garanties, expliciet of impliciet, inclusief enige garantie van verkoopbaarheid of geschiktheid voor een bepaald gebruik, zijn hierbij uitgesloten.

Mocht dit gereedschap niet aan de garantie voldoen, stuur het dan direct naar het geautoriseerde servicecentrum bij u in de buurt. Neem voor een lijst van geautoriseerde STANLEY® Engineered Fastening servicecentra in de VS of Canada contact met ons op via het gratis nummer (877)364 2781.

Bezoek buiten de VS en Canada onze website **www.StanleyEngineeredFastening.com** voor het dichtstbijzijnde STANLEY Engineered Fastening servicecentrum.

STANLEY Engineered Fastening vervangt dan gratis elk onderdeel dat wij defect achten, ten gevolge van slechte materialen of slecht vakmanschap, en zal het gereedschap daarna gratis terugsturen. Dit geeft onze enige verplichting onder deze garantie weer.

In geen enkel geval kan STANLEY Engineered Fastening aansprakelijk worden gesteld voor gevolgschade of speciale schade die voortkomt uit de aanschaf of het gebruik van dit product.

Registreer uw blindklinknagelgereedschap online.

Registreer uw garantie online, ga naar

<https://www.stanleyengineeredfastening.com/support/warranty-registration-form>

Wij danken u dat u het gereedschap van het merk Assembly Technologies van STANLEY® Engineered Fastening hebt gekozen.

©2019 STANLEY Black & Decker Alle rettigheder forbeholdes.

Disse oplysninger må ikke gengives og/eller offentliggøres gennem nogen medier (trykte eller elektroniske), uden forudgående skriftlig tilladelse fra STANLEY Engineered Fastening. De foreliggende oplysninger er baseret på de data, der er kendt på tidspunktet for introduktionen af dette produkt. STANLEY Engineered Fastening fører en politik om løbende produktforbedringer, derfor kan og vil produkterne løbende blive ændret. De foreliggende oplysninger gælder for produktet, leveret af STANLEY Engineered Fastening. STANLEY Engineered Fastening kan derfor ikke stilles til ansvar for eventuelle skader, som følge af afvigelser fra de oprindelige produktspecifikationer.

Alle informationer er blevet udarbejdet med største omhu. STANLEY Engineered Fastening kan ikke stilles til ansvar for eventuelle fejl i oplysningerne, eller for konsekvenserne heraf. STANLEY Engineered Fastening kan ikke stilles til ansvar for skader som følge af aktiviteter, der gennemføres af tredjemand. Arbejdsnavne, firmanavne, registrerede varemærker osv. der anvendes af STANLEY Engineered Fastening kan ikke anvendes frit i henhold til bestemmelserne vedrørende beskyttelse af varemærker.

INDHOLD

1. SIKKERHEDSINSTRUKTIONER.....	178
1.1 GENEREL SIKKERHEDSREGEL	178
1.2 PROJEKILFARER	178
1.3 DRIFTSFARER.....	179
1.4 FARER VED GENTAGENDE FARER	179
1.5 TILBEHØRSFARER	179
1.6 ARBEJDSPLADSFARER	179
1.7 STØJFARER.....	180
1.8 VIBRATIONSFARER.....	180
1.9 YDERLIGERE SIKKERHEDSINSTRUKTIONER FOR HYDRAULISKE ELVÆRKTØJER	180
2. SPECIFIKATIONER	181
2.1 TILSIGTET FORMÅL	181
2.2 VÆRKTØJSSPECIFIKATION	181
2.3 VÆRKTØJSDIMENSIONER	182
3. IBRUGTAGNING	183
3.1 DRIFTSPRINCIP	183
3.2 KLARGØRING TIL BRUG	184
4. BRUGSANVISNING	185
4.1 SÅDAN MONTERES EN AVBOLT®-NITTE.....	185
4.2 SÅDAN MONTERES EN AVDELOK® XT-NITTE	185
5. VEDLIGEHOLDELSE AF VÆRKTØJET	186
5.1 DAGLIG VEDLIGEHOLDELSE	186
5.2 UGENTLIG VEDLIGEHOLDELSE	186
5.3 ÅRLIG SERVICE / HVER 150.000 DRIFTSOPERATIONER.....	186
5.4 SERVICEKIT	186
5.5 SERVICEVÆRKTØJER	186
5.6 HYDRAULISK OLIE	186
5.7 DEMONTERINGSINSTRUKTIONER	187
5.8 MILJØBESKYTTELSE.....	189
6. GENEREL SAMLING OG RESERVEDELSLISTE.....	190
6.1 GENEREL SAMLING.....	190
6.2 RESERVEDELSLISTE.....	192
7. SIKKERHEDSDATA	193
7.1 ENERPACE® HF HYDRAULISK OLIE - SIKKERHEDSDATA.....	193
7.2 MOLYLITHIUM SMØREMIDDEL EP 3753 - SIKKERHEDSDATA	193
7.3 MOLYKOTE® 111 SMØREMIDDEL - SIKKERHEDSDATA.....	194
8. FEJLFINDING	195
9. EU-OVERENSSTEMMELSESERKLÆRING.....	197
10. UK OVERENSSTEMMELSESERKLÆRING	198
11. BESKYT DIN INVESTERING!	199



Læg mærke til følgende sikkerhedssymboler. Læs manualen grundigt igennem, og vær opmærksom på følgende sikkerhedsadvarsler og -instruktioner.



Brug altid slagfast øjebeskyttelse under betjening af værktøjet. Den påkrævede beskyttelsesgrad skal vurderes for hver brug.



Brug af værktøjet kan udsætte operatørens hænder for farer, herunder knusning, slag, snit og slid og varme. Brug egnede handsker til beskyttelse af hænderne.



Brug høreværn i overensstemmelse med arbejdsgiverens instruktioner og som påkrævet af arbejdsmiljøbestemmelser.

1. SIKKERHEDSINSTRUKTIONER

Definitionerne herunder beskriver alvoren for hvert enkelt signalord. Læs brugsvejledningen grundigt igennem, og vær opmærksom på disse symboler.



FARE: Angiver alvorlig skade eller i værste fald døden, hvis de respektive sikkerhedsinstruktioner ikke overholdes.



ADVARSEL: Angiver en mulig farlig situation, der medmindre den ikke undgås, **kan** resultere i **ulykker med dødelig udgang eller alvorlige kvæstelser**.



PAS PÅ: Angiver en mulig farlig situation, der medmindre den ikke undgås, **kan** resultere i mindre eller moderat alvorlig personskade.



PAS PÅ: En potentiel farlig situation **kan** opstå, hvis de angivne sikkerhedssymboler ikke respekteres eller overholdes.

Forkert anvendelse eller vedligeholdelse af værktøjet, kan medføre alvorlige kvæstelser eller materielle skader. Læs og forstå derfor alle advarsler og symboler i brugsanvisningerne før værktøjet anvendes. Ved brug af luftværktøj skal alle grundlæggende sikkerhedsregler altid overholdes for at reducere risikoen for kvæstelser.

GEM ALLE ADVARSLER OG ANVISNINGER TIL SENERE BRUG.

1.1 GENEREL SIKKERHEDSREGEL

- Med henblik på flere farer skal du læse og forstå sikkerhedsinstruktionerne, inden du installerer, betjener, reparerer, vedligeholder, skifter tilbehør på eller arbejder i nærheden af værktøjet. Ellers kan det resultere i alvorlig personskade.
- Kun kvalificerede og udlærte operatører må installere, justere eller bruge værktøjet.
- STANLEY Engineered Fastening blindnitteværktøjer må IKKE anvendes til andre formål end de tilsigtede formål.
- Brug kun reservedele, fastgørelseselementer og tilbehør anbefalet af STANLEY Engineered Fastening.
- Modifier IKKE værktøjet. Modifikationer kan reducere effektiviteten af sikkerhedsforanstaltninger og øge risiciene for operatøren. Enhver ændring af værktøjet foretaget af kunden, vil være kundens fulde ansvar og vil gøre alle gældende garantier ugyldige.
- Kassér ikke sikkerhedsinstruktionerne; giv dem til operatøren.
- Anvend ikke værktøjet, hvis det er blevet beskadiget.
- Kontrollér, om der forekommer fejltilpasninger, eller om bevægelige dele er bevægelige, beskadigelse eller andre forhold, der kan påvirke værktøjets funktion inden brug. Få værktøjet serviceret før brug, hvis det er beskadiget. Fjern alle justerings- og skruenøgler inden brug.
- Værktøjer skal efterses regelmæssigt for at kontrollere, at de tekniske data og mærkninger, der kræves af denne del af ISO 11148, er tydeligt markeret på værktøjet. Arbejdsgiveren/brugeren skal kontakte producenten for at anskaffe erstatningsmærkater efter behov.
- Værktøjet skal altid holdes i en god stand, og skal undersøges jævnligt for skader af en autoriseret reparatør. Enhver form for demontering må kun foretages af uddannet personale. Dette værktøj må ikke demonteres uden at konsultere vedligeholdelsesanvisningerne.

1.2 PROJEKILFARER

- Kobl værktøjet fra den hydrauliske pumpeenhed inden vedligeholdelse, justering, på- eller afmontering af et næsestykke eller tilbehør.
- Vær opmærksom på, at fejl i arbejdsemnet eller tilbehøret, eller endda af det indsatte værktøj, kan generere projektiler med høj hastighed.

- Brug altid slagfast øjebeskyttelse under betjening af værktøjet. Den påkrævede beskyttelsesgrad skal vurderes for hver brug.
- Risikoen for andre bør også vurderes på dette tidspunkt.
- Sørg for, at arbejdsemnet er ordentligt fastgjort.
- Kontroller, at beskyttelsesforanstaltningen mod udkast af nitter og/eller stift er på plads og fungerer.
- Advar mod den mulige tvangsudskydning af stifter fra værktøjets forside.
- Ret IKKE værktøjet mod andre personer, når det anvendes.

1.3 DRIFTSFARER

- Brug af værktøjet kan udsætte operatørens hænder for farer, herunder knusning, slag, snit og slid og varme. Brug egnede handsker til beskyttelse af hænderne.
- Operatører og vedligeholdelsespersonale skal være fysisk i stand til at håndtere værktøjets masse, vægt og styrke.
- Hold værktøjet korrekt; vær klar til at modvirke normale eller pludselige bevægelser, og hav begge hænder til rådighed.
- Hold altid værktøjshåndtaget rent for olie og snavs.
- Hold kroppen i balance, og hav et sikkert fodfæste under brug af værktøjet.
- Slip start-og-stop-enheden i tilfælde af afbrydelse af hydraulikforsyningen.
- Brug kun smøremidler anbefalet af producenten.
- Kontakt med hydraulisk væske bør undgås. Med henblik på at minimere risikoen for udslet bør man sørge for at skylle området grundigt, hvis der opstår kontakt.
- Sikkerhedsdatablade for alle hydrauliske olier og smøremidler er tilgængelige efter anmodning fra din værktøjsleverandør.
- Undgå uegnede stillinger, da det er sandsynligt, at disse stillinger ikke gør det muligt at modvirke normal eller uventet bevægelse af værktøjet.
- Hvis værktøjet er fastgjort til en ophængningsenhed, skal du sørge for, at fastgørelsen er sikker.
- Pas på risikoen for knusning eller klemning, hvis forstykke ikke er monteret.
- Værktøjet må IKKE betjenes, hvis forstykket er afmonteret.
- Inden anvendelsen skal der tages højde for, om der tilstrækkelig plads til at håndtere værktøjet med hænderne.
- Undgå at trykke på aftrækkeren, hvis værktøjet flyttes mellem arbejdspladser.
- Misbrug IKKE værktøjet, ved at tabe det eller anvende det som hammer.
- Pas på, at brugte stifter ikke udgør en fare.

1.4 FARER VED GENTAGENDE FARER

- Ved brug af værktøjet kan operatøren opleve ubehag i hænder, arme, skuldre, nakke eller andre dele af kroppen.
- Under brug af værktøjet skal operatøren indtage en behagelig stilling, samtidig med at der bevares et sikkert fodfæste og undgås akavede stillinger eller ubalance. Operatøren skal skifte stilling under længere opgaver; dette kan hjælpe med at undgå ubehag og træthed.
- Hvis operatøren oplever symptomer som vedvarende eller tilbagevendende ubehag, smerter, pulsering, ømhed, prikken, følelsesløshed, brændende fornemmelser eller stivhed, må disse advarselstegn ikke ignoreres. Operatøren skal fortælle arbejdsgiveren og konsultere en kvalificeret sundhedsperson.

1.5 TILBEHØRSFARER

- Kobl værktøjet fra den hydrauliske og elektriske forsyning inden montering eller fjernelse af næsestykket eller tilbehøret.
- Brug kun tilbehør og forbrugsvarer af størrelser og typer, der anbefales af værktøjets producent; brug ikke tilbehør eller forbrugsvarer af andre typer eller størrelser.

1.6 ARBEJDSPLADSFARER

- De vigtigste årsager til personskader på arbejdspladsen er, hvis man glider, snubler og falder. Pas på glatte overflader forårsaget af brug af værktøjet samt fare for fald forårsaget af luftledning eller hydraulikslange.
- Vær forsigtig i ukendte omgivelser. Der kan være skjulte farer, såsom strømledninger eller andre forbrugsledninger.
- Værktøjet er ikke beregnet til brug i potentielt eksplosive omgivelser og er ikke isoleret mod kontakt med elektrisk strøm.
- Sørg for, at der ikke er strømkabler, gasrør osv., som kan medføre fare, hvis de beskadiges ved brug af værktøjet.
- Bær hensigtsmæssig påklædning. Undgå løst tøj og smykker. Hold hår, tøj og handsker væk fra bevægelige dele. Løstsiddende tøj, smykker eller langt hår kan blive fanget i bevægelige dele.
- Pas på, at brugte stifter ikke udgør en fare.

1.7 STØJFARER

- Eksponering for høje støjniveauer kan forårsage permanent, invaliderende høretab og andre problemer, såsom tinnitus (ringen, brummen, fløjten eller summen for ørerne). Derfor er det meget vigtigt at foretage risikovurdering og implementere passende kontroller for disse farer.
- Passende kontroller til at reducere risikoen kan omfatte handlinger såsom dæmpning af materialer for at forhindre, at arbejdssemner "ringer".
- Brug høreværn i overensstemmelse med arbejdsgiverens instruktioner og som påkrævet af arbejdsmiljøbestemmelser.
- Betjen og vedligehold værktøjet som anbefalet i brugsanvisningen for at forhindre unødvendig stigning i støjniveauet.

1.8 VIBRATIONSFARER

- Eksponering for vibrationer kan forårsage invaliderende skader på nerverne og blodforsyningen af hænder og arme.
- Tag varmt tøj på, når du arbejder under kolde forhold, og hold dine hænder varme og tørre.
- Hvis du oplever følelseløshed, prikken, smerter eller blegning af huden i fingrene eller hænderne, skal du stoppe med at bruge værktøjet, fortælle det til din arbejdsgiver og konsultere en læge.
- Hvor det er muligt, bør værktøjets vægt understøttes i et stativ, en strammer eller en balance, fordi et lettere greb derefter kan bruges til at understøtte værktøjet.

1.9 YDERLIGERE SIKKERHEDSINSTRUKTIONER FOR HYDRAULISKE ELVÆRKTØJER

- Hydraulikforsyningen må ikke overstige 550 bar (8000 PSI).
- Olie under tryk kan forårsage alvorlig personskade.
- Montér ikke fleksible hydraulikslanger, der er vurderet til et arbejdsstryk på under 700 bar (10.000 PSI) ved en strømningshastighed på 2,73 l/min (200 på 3/min).
- Efterlad aldrig værktøjet uden opsyn. Frakobl hydraulikslangen og strømkablet fra pumpeenheten, når værktøjet ikke er i brug, før du skifter tilbehør eller når du udfører reparationer.
- Piskende slanger kan forårsage alvorlig personskade. Kontrollér altid for beskadigede eller løse slanger og fittings.
- Se hydraulikslanger efter for skader inden brug. Alle hydraulikforbindelser skal være rene, helt tilkoblede og stramme før drift. Undgå at sætte tunge genstande på luftslangerne. Et hårdt slag kan medføre indvendig skade på værktøjet, og føre til fejl i lufttilførslen.
- Når der bruges universelle drejekoblinger (klokoblinger), skal der installeres låsestifter, og der skal bruges piskestop-sikkerhedskabler til at beskytte mod eventuel tilslutningsfejl mellem slange og værktøj eller slange og slange.
- Løft IKKE værktøjet i slangen eller strømkablet. Brug altid værktøjets håndtag, når værktøjet skal flyttes.
- Træk eller bevæg IKKE den hydrauliske pumpeenhed ved hjælp af slangerne. Brug altid pumpeenhedens håndtag eller rulleholder.
- Undgå snavs og fremmedlegemer i værktøjets hydrauliksystem, da dette vil medføre funktionsfejl på værktøjet.
- Brug kun ren olie og påfyldningsudstyr.
- Der må kun anvendes anbefalede hydraulikvæsker.
- Strømenheder kræver en fri strømning af luft til afkølingsformål og bør derfor placeres på et godt ventileret område, der er fri for farlige dampe.
- Hydraulikvæskens maksimale temperatur ved indløbet er 110°C (230°F).

STANLEY Engineered Fastening har en politik om løbende produktudvikling og forbedring, og forbeholder retten til at ændre specifikationen af ethvert produkt uden forudgående varsel.

2. SPECIFIKATIONER

2.1 TILSIGTET FORMÅL

AV™ 30 installationsværktøjet er hovedsageligt en stempel- og cylinderenhed. Når det kobles hydraulisk og elektrisk til en kompatibel hydraulisk strømkilde, og det relevante næseestykke er tilsluttet, kan det bruges til at montere 1/2" til 5/8" Avbolt® og 1/2" til 3/4" Avdelok® XT i industrielle miljøer.

Placeringsværktøjet og den hydrauliske pumpeenhed må kun bruges i overensstemmelse med brugsanvisningen til placering af Stanley Engineered Fastening strukturelle nitter.

Se tabellen herunder for listen over gældende nitter og tilhørende næseudstyr.
Se databladene, der er anført i tabellen, for de relevante instruktioner til næseestykke.

MÅ IKKE anvendes under våde forhold eller i nærheden af brændbare væsker eller gasser.

NITTE		NÆSESTYKKE			NÆSESTYKKE DATABLAD
TYPE	STØRRELSE	RESERVEDELSNUMMER	DIM. 'A'	DIM. 'B'	RESERVEDELSNUMMER
AVBOLT®	1/2"	73412-03600	113 mm	43 mm	07900-00905
	5/8"	73412-03400	113 mm	52 mm	07900-00905
AVDELOK® XT	1/2"	73412-03100	113 mm	43 mm	07900-00919
	5/8"	73412-03200	115 mm	48 mm	07900-00919
	3/4"	73412-03300	134 mm	56 mm	07900-00919

*Næseestykke med kæbefrigivelse.

Se illustrationen på side 182 for identifikation af næseestykkets dimensioner 'A' og 'B'.

Sikkerhedsinstruktionerne skal altid følges.

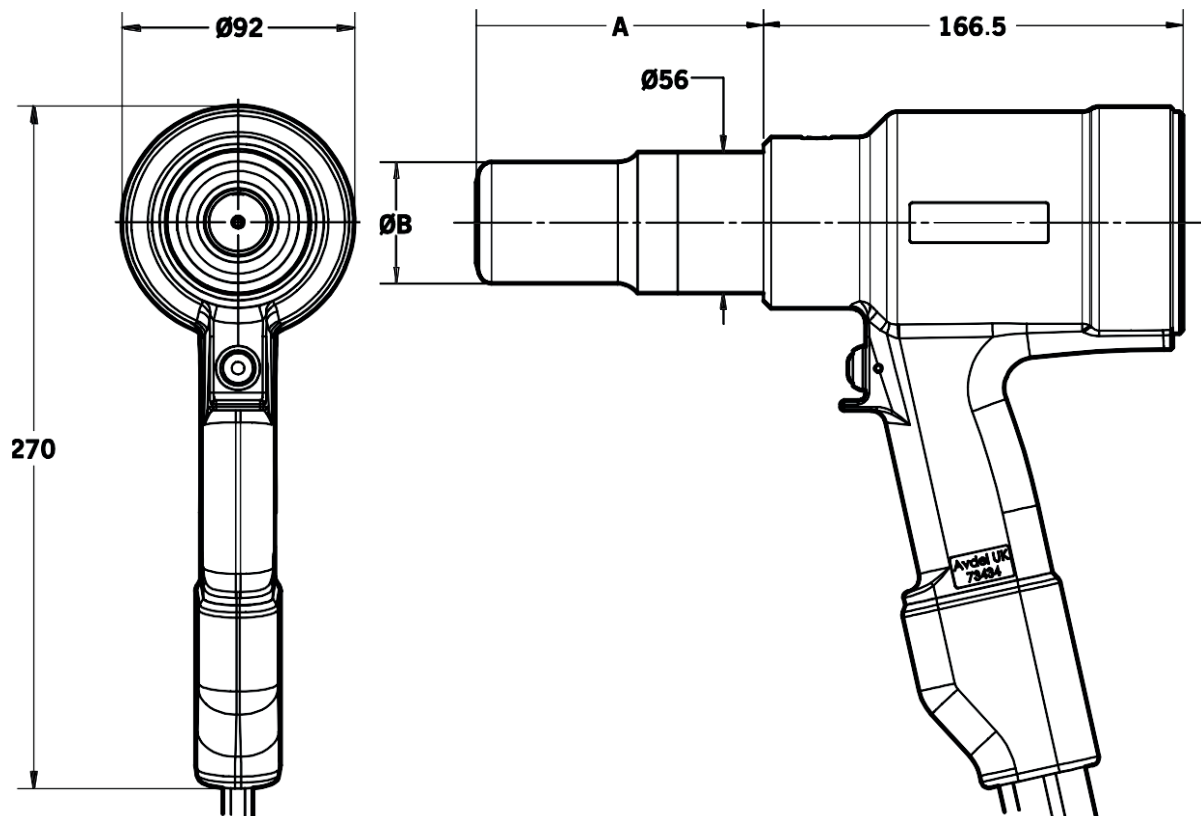
2.2 VÆRKTØJSSPECIFIKATION

	SPECIFIKATION	METRISK	BRITISK
Styrke:	Træk ved det angivne træktryk	175,0 kN	39341,0 lbf
	Skub ved det angivne returtryk	80,0 kN	17985,0 lbf
Tryk:	Træk	510 bar	7397 PSI
	Retur	200 bar	2901 PSI
Slaglængde:	Stempelslag	41,0 mm	1,61"
Vægt:	Uden næseudstyr	6,9 kg	15,3 lb
Hydraulisk olie:	Enerpac® Hydraulic Oil – HF-95X		
Produktsortiment:	Avbolt®	12,7 til 15,9 mm	1/2 til 5/8 tommer
	Avdelok® XT	12,7 til 19,1 mm	1/2 til 3/4 tommer
Funktioner og fordele:	Skaftudskubning – for- eller bagside	Forside	
	Tætningsarrangering	Læbe- og skrabetætninger	
	Hydrauliske lejeringe	Ja – Forside	
	Beskyttelseshåndtag/Slangeagator	Ja	
	Beskyttende slangeskærm	Ja	
	Slange-/kabelholderklemmer	Ja	

Støjværdier fastsat i henhold til støjtestkode ISO 15744 og ISO 3744.		AV30
A-vægtet lydeffektniveau dB(A), L_{WA}	Usikkerhed støj: $k_{WA} = 3,0$ dB(A)	94,3 dB(A)
A-vægtet emissionslydtrykniveau på arbejdsstationen dB(A), L_{pA}	Usikkerhed støj: $k_{pA} = 3,0$ dB(A)	83,3 dB(A)
C-vægtet maksimalt emissionslydtrykniveau dB(C), L_{pC} maks.	Usikkerhed støj: $k_{pC} = 3,0$ dB(C)	128,1 dB(C)

Vibrationsværdier fastsat i henhold til vibrationstestkode ISO 20643 og ISO 5349.		AV30
Vibrationsemissionsniveau, a_{hd} :	Usikkerhed vibration: $k = 0,48$ m/s ²	0,952 m/s ²
Erklærede vibrationsemissionsværdier i overensstemmelse med EN 12096		

2.3 VÆRKTØJSDIMENSIONER



Alle dimensioner vises i millimeter.

Se tabellen på side 181 for næsestykkets dimensioner 'A' og 'B'.

Værktøjet er udstyret med to hydraulikslanger og et elektrisk styrekabel, 0,6 m i længden. Ekstra hydraulikslange og kabelforlængelseslængder kan bestilles separat efter behov. Se tabellen herunder for de tilgængelige slangemonteringslængder og tilhørende delnumre.

HYDRAULISK SLANGESAMLING	
RESERVEDELSNUMMER	SLANGELÆNGDE
07008-00448	5 meter
07008-00449	10 meter
07008-00450	15 meter

3. IBRUGTAGNING

3.1 DRIFTSPRINCIP

**VIGTIGT - LÆS SIKKERHEDSREGLERNE PÅ SIDE 178 – 180 OG BRUGSVEJLEDNINGEN TIL PUMPEENHEDEN OMHYG-
GELIGT INDEN IBRUGTAGNING.**

Når både slanger og styrekabel er sluttet til Avdel® / Enerpac® hydraulisk pumpeenhed, styres værktøjets træk- og returcyklusser ved at aktivere og slippe udløseren placeret i håndtaget.

Når der trykkes på kontakten, aktiveres solenoideventilen, der er placeret i den hydrauliske pumpeenhed, og dirigerer trykoliestrømmen til stempelets trækside i placeringsværktøjet. Dette gør det også muligt for olien i placeringsværktøjets returside at vende tilbage til beholderen.

Under trækcyklusserne bevæger stemplet/spændesamlingen sig mod bagsiden af værktøjet, så puden af O-ringtype kan skubbe følgeren og kæberne fremad. Hvis der er indsat en nittestift i næseenheden, klemmes kæbesættet på stiftenden, og monteringen begynder.

For Avbolt® og Avdelok® XT vil installationscyklussen først spænde sammen om den samling, der skal fastgøres, og efterhånden som ambolten fortsætter med at bevæge sig fremad, vil spændepatronen blive drevet ind i låserillerne på stiften. Ved afslutningen af drivningscyklussen vil ambolten komme op mod samlingen, og når bevægelsen fortsætter, vil stiftenden blive brudt af.

Udløserkontakten skal frigøres, umiddelbart efter en stift brydes. Frigørelse af udløserkontakten får solenoiden til at slukke og vende strømmen af olie under tryk.

Hvis udløseren ikke frigøres, fortsætter placeringsværktøjets stempel med at bevæge sig mod værktøjets bagside, indtil det når slutningen af dets slag. Trykket i træksiden vil derefter stige, indtil en forudindstillet værdi for "Højtryk" opnås ved pumpen. På dette tidspunkt slukker solenoideventilen automatisk og vender strømmen af trykolie til retursiden af placeringsværktøjet.

I begge tilfælde vil olie under tryk nu strømme ind i placeringsværktøjets returside, med olien i træksiden tilbage til beholderen.

Den fremadgående bevægelse af stemplet/spændesamlingen skubber den installerede nitte ud af ambolten.

På tidspunktet for frigørelse af udløseren, eller når værdien "Højtryk" opnås, slukker solenoideventilen og aktiverer en forudindstillet "Returtimer". Dette kontrollerer det tidspunkt, hvor pumpemotoren fortsætter med at køre, inden der skiftes til tomgangstilstand. Timeren kan indstilles manuelt mellem 5 og 20 sekunder for at sikre, at placeringsværktøjets stempel altid helt vender tilbage til den fremadrettede position (se pumpevejledning 07900-01030, side 10 og 13).

Når stemplet vender tilbage til den helt fremadrettede position, stiger trykket til forindstillet lavtryksværdi - c200 bar. Pumpemotoren fortsætter med at køre, indtil returtimeren er udløbet. Efter denne periode stopper motoren automatisk, og ventilen skifter til tomgangsposition. Solenoideventilen arbejder derefter automatisk på at frigive olie under tryk til beholderen fra både træk- og retursiden af placeringsværktøjet.

Dette holder installationsværktøjet i den fremadrettede position. Der er ikke noget pres i det hydrauliske system på dette tidspunkt.

Den hydrauliske pumpeenhed starter automatisk, når der trykkes på værktøjets udløserkontakt.

3.2 KLARGØRING TIL BRUG

FORSIGTIG - KORREKTE TRÆK- OG RETURTRYK ER VIGTIGE FOR KORREKT FUNKTION AF INSTALLATIONSVÆRKTØJET. PERSONSKADE ELLER BESKADIGELSE AF Udstyret kan ske uden korrekte tryk. TRÆK- OG RETURTRYK, DER LEVERES AF DEN HYDRAULISKE PUMPEENHED, MÅ IKKE OVERSTIGE DET TRYK, DER ER ANFØRT I SPECIFIKATIONEN FOR PLACERINGSVÆRKTØJET.

VIGTIGT - INDEN VÆRKTØJET OG HYDRAULIKSLANGESÆTTET TAGES I BRUG:

SØRG FOR, AT PUMPENS TRYKAFLASTNINGSVENTILER ER INDSTILLET I OVERENSSTEMMELSE MED PUMPEINSTRUKTIONERNE OG DE MAKSIMALE TRYK, DER ER SPECIFICERET FOR PLACERINGSVÆRKTØJET OG SLANGERNE.

SØRG FOR, AT SLANGESÆTTET SPÆDES MED HYDRAULISK VÆSKE I OVERENSSTEMMELSE MED PROCEDURER I PUMPENS BRUGSANSVISNING 07900-01030.

- Sørg for, at strømforsyningen til den hydrauliske pumpeenhed er slukket.
- Slut hurtigkoblingerne på placeringsværktøjets hydraulikslanger direkte til pumpeenheden, inden det elektriske styrekabel tilsluttes. Slanger og styrekabel skal tilsluttes i denne rækkefølge og frakobles i omvendt rækkefølge.
- Tænd for strømforsyningen til den hydrauliske pumpeenhed. Vent 5 sekunder på, at pumpeenheden gennemfører opstartssekvensen, inden du trykker på udløserkontakten. Når den er klar, viser LCD-skærmen på pumpeenheden "AVDEL".
- Under opstartssekvensen identificerer pumpestyringssystemet enhver udløserhandling som en potentiel funktionsfejl og forhindrer motoren i at starte. LCD-skærmen viser i dette tilfælde "BUTTON FAULT". Nulstil ved at slukke for strømforsyningen i 10 sekunder.
- Sørg for, at placeringsværktøjet er placeret under pumpebeholdertankene. Tryk på og frigiv placeringsværktøjets udløserkontakt nogle få gange næsten helt til værktøjets fulde slag for at cirkulere hydraulisk væske og presse luft ud af værktøjet.
- Observér værktøjets bevægelse. Kontroller for væskelækager, og sørg for, at stemplet i tomgangstilstand er i den helt fremadrettede position. Placeringsværktøjet vil nu være klar.
- Sluk for strømforsyningen til den hydrauliske pumpeenhed, og fjern derefter placeringsværktøjet fra pumpeenheden i omvendt rækkefølge til det, der er beskrevet ovenfor.
- Slut nu placeringsværktøjet til det klargjorte hydraulikslangesæt og det elektriske styrekabel. Slut derefter hydraulikslangesættets hurtigkoblinger og det elektriske styrekabel til pumpeenheden.
- Fastgør næsestykket til værktøjet som beskrevet i instruktionerne i det relevante datablad for næsestykket.
- Tænd for strømforsyningen til den hydrauliske pumpeenhed, som beskrevet ovenfor.
- Tryk på og frigiv placeringsværktøjets udløserkontakt nogle få gange næsten helt til værktøjets fulde slag for at cirkulere hydraulisk væske.
- Placeringsværktøjet er nu klar til brug.

4. BRUGSANVISNING

4.1 SÅDAN MONTERES EN AVBOLT®-NITTE

- Kontrollér arbejde og fjern for stort mellemrum. (Mellemrum er rummet mellem samlingens komponenter. Mellemrum er for stort, hvis der ikke er nok stiftende, som stikker gennem spændepatronen, til at næsestykkets kæber kan gribe fat i den).
- Sæt Avbolt®-nitte i hullet.
- Skub næsestykket på stiften, indtil næsestykkeambolten stopper mod spændepatronen. Værktøj og næsestykke skal holdes retvinklet (90°) mod arbejdet.
- Tryk på værktøjets udløserkontakt for at starte installationscyklussen.
- Når næsestykkeamboltens fremadgående bevægelse stopper, og stiftenden brydes af, skal udløseren frigives. Værktøjet går ind i sit returslag og skubber den installerede nitte ud. I slutningen af returslaget vil kæberne delvist frigive den anvendte stiftende, som kan fjernes ved at vippe værktøjsnæsen ned.
- Når den installerede nitte er blevet skubbet ud, er værktøjet og næsestykket klar til den næste installation.

4.2 SÅDAN MONTERES EN AVDELOK® XT-NITTE

- Kontrollér arbejde og fjern for stort mellemrum. (Mellemrum er rummet mellem samlingens komponenter. Mellemrum er for stort, hvis der ikke er nok stiftende, som stikker gennem spændepatronen, til at næsestykkets kæber kan gribe fat i den).
- Sæt Avdelok® XT-nitte i hullet.
- Skub Avdelok® XT-spændepatronen over stiften. (Den facetterede ende af spændepatronen skal vende mod næsestykket og værktøjet.)
- Skub næsestykket på stiften, indtil næsestykkeambolten stopper mod spændepatronen. Værktøj og næsestykke skal holdes retvinklet (90°) mod arbejdet.
- Tryk på værktøjets udløserkontakt for at starte installationscyklussen.
- Når næsestykkeamboltens fremadgående bevægelse stopper, og stiftenden brydes af, skal udløseren frigives. Værktøjet går ind i sit returslag og skubber den installerede nitte ud. I slutningen af returslaget vil kæberne delvist frigive den anvendte stiftende, som kan fjernes ved at vippe værktøjsnæsen ned.
- Når den installerede nitte er blevet skubbet ud, er værktøjet og næsestykket klar til den næste installation.

FORSIGTIG - FORSØG IKKE AT BRYDE EN STIFTENDE AF UDEN INSTALLATIONEN AF EN SPÆNDEPATRON, DA DETTE VIL FÅ DEN IKKE-SIKREDE DEL AF AVDELOK®- ELLER AVBOLT®-STIFTENDEN TIL AT BLIVE SKUBBET UD FRA NÆSEN VED EN HØJ HASTIGHED OG STYRKE.

5. VEDLIGEHOLDELSE AF VÆRKTØJET

VIGTIGT - LÆS SIKKERHEDSINSTRUKTIONER PÅ SIDE 178 - 180. ARBEJDSGIVEREN ER ANSVARLIG FOR AT SIKRE, AT DER GIVES INSTRUKTIONER OM VEDLIGEHOLDELSE AF VÆRKTØJET TIL DET PASSENDE PERSONALE. OPERATØREN BØR IKKE INVOLVERES I VEDLIGEHOLDELSE ELLER REPARATION AF VÆRKTØJET, MED MINDRE DENNE ER BLEVET OPLÆRT PÅ PASSENDE VIS. VÆRKTØJET SKAL SES REGELMÆSSIGT EFTER FOR SKADER OG FUNKTIONSFEJL.

5.1 DAGLIG VEDLIGEHOLDELSE

- Kontrollér placeringsværktøj, slanger og hurtigkoblinger for olielækager.
- Slidte eller beskadigede slanger og koblinger bør udskiftes.
- Kontrollér, at værktøjets slag opfylder specifikationen.
- Kontrollér, at skaftdeflektoren er monteret.
- Kontrollér, at pumpens trykaflastningsventil for træk/fremrykning virker korrekt.
- Kontrollér, om ambolten er slidt, indikeret af ridsemærker på den installerede spændepatron. Dette kan også bekræftes ved at se dataene for installation i nittekataloget. For kraftigt slid kan få ambolten til at bryde.

5.2 UGENTLIG VEDLIGEHOLDELSE

- Demonter og rengør næsestykket, især kæberne, som beskrevet i det relevante datablad til næsestykket.
- Se efter olielækager i placeringsværktøj, slanger og hurtigkoblinger

FORSIGTIG – Brug aldrig opløsningsmidler eller andre kraftige kemikalier til at rengøre værktøjets ikke-metalliske dele. Disse kemikalier kan svække de materialer, der anvendes i værktøjet.

5.3 ÅRLIG SERVICE / HVER 150.000 DRIFTSOPERATIONER

- Hver 150.000 cyklusser skal værktøjet demonteres helt, og nye komponenter skal bruges, hvor det er slidt, beskadiget eller som anbefalet. Alle O-ringe, reserveringe og tætninger skal fornyes og smøres med MolyKote® 111 smøremiddel inden montering.

5.4 SERVICEKIT

For en komplet service er følgende servicekit tilgængeligt:

SERVICEKIT: 73432-99990			
RESERVEDELSNUMMER	BESKRIVELSE	RESERVEDELSNUMMER	BESKRIVELSE
07005-10118	Hurtigkobling - han	07900-00972	AV30 Forreste pakning på styrestang
07005-10120	Hurtigkobling - hun	07900-00963	AV30 Stempelstyrerør
07900-00958	Værktøjshoveddel til endehætte	07992-00020	Smøremiddel – MolyLithium EP3753
07900-00969	AV30 Stempeltætningsrør	07900-00755	Smøremiddel – Molykote® 111
07900-00970	AV30 Stempeltætningsplunger	07900-00756	Loctite® 243 Gevindsikring
07900-00971	AV30 Stempelkugle - Forside		

5.5 SERVICEVÆRKTØJER

Følgende standardværktøjer er også påkrævet:

- Unbrakonøgle: 2,0/3,0 mm
- Flad skruenøgle med åben ende: 12 / 14 / 18 / 24 / 45 mm A/F
- PTFE-tape: 10 mm
- Skruestik med kæbebeskyttere – 150 mm

5.6 HYDRAULISK OLIE

FORSIGTIG – Brug kun Enerpac® HF hydraulisk olie – brug af enhver anden olie kan forårsage funktionsfejl i placeringsværktøjet og pumpen og vil gøre placeringsværktøjets garanti ugyldig.

Hydraulisk olie kan bestilles under følgende varenumre.

HYDRAULISK OLIE			
RESERVEDELSNUMMER	07992-00081	07992-00082	07992-00083
Enerpac® reservedelsnummer	HF-95X	HF-95Y	HF-95T
Volumen	1 liter	5 liter	20 liter
Viskositet	32 mm ² /s	32 mm ² /s	32 mm ² /s

5.7 DEMONTERINGSINSTRUKTIONER

VIGTIGT – SØRG FOR, AT STRØMFORSYNINGEN TIL DEN HYDRAULISKE PUMPEENHED ER SLUKKET, INDEN DU FJERNER NÆSESTYKKET ELLER DEMONTERER PLACERINGSVÆRKTØJET.

Inden demontering:

- Frakobl hurtigkoblingerne **10** og **11** og det elektriske styrekabel **14** mellem placeringsværktøjet og den hydrauliske slangesamling.
- Fjern næsestykket fra placeringsværktøjet som beskrevet i instruktionerne i det relevante datablad for næsestykket.
- De potentielt farlige stoffer, der kan have aflejret sig på maskinen som et resultat af arbejdsprocesser, skal fjernes inden vedligeholdelse.

For en komplet service af værktøjet anbefaler vi, at du fortsætter med at demontere værktøjet i den rækkefølge, der er vist på side 187 til 189. Efter demontering af værktøjet anbefaler vi, at du udskifter alle tætninger.

Samling af hovedstempel:

- Brug en lille flad skruetrækker til at fjerne stiften **41** fra spændepatronadapteren **40**.
- Løsn og fjern spændepatronadapteren **40** fra stemplet **1**.
- Klem værktøjshåndtaget i en skruestik med bløde kæber, så værktøjet vender med næsen nedad.
- Slut reserve *Hurtigkobling – han til Hurtigkobling – hun **11** på Hydraulisk slange – Retur **18**. Dette frigiver eventuelt tryk fra stemplets **1** returside og gør det lettere at fjerne endehætten **17**.
- Indsæt værktøjshoveddel til endehættesamling i endehætte **17**.
- Brug en 24 mm A/F-skruenøgle til at løsne og fjerne endehætten **17** fra hoveddelen **2**.
- Brug en lille flad skruetrækker til at fjerne O-ringen **21** fra endehætten **17** og kasser den.
- Brug en lille flad skruetrækker eller et lignende værktøj til at fjerne O-ringen **30** og spiral-reserveringen **36** fra den udvendige rille på endehætten **17**, og kasser den. Når du fjerner tætningerne, skal du passe på ikke at beskadige endehættens overflade med skruetrækkeren.
- Fjern placeringsværktøjet fra skruestikken og tøm den hydrauliske olie fra bagsiden af værktøjet. Fjern reserve *Hurtigkobling - han fra Hurtigkobling - hun **11**.
- Slut reserve *Hurtigkobling - hun til Hurtigkobling – han **10** på Hydraulisk slange - Træk **19**. Dette frigiver evt. tryk fra stemplets trækside **1** og gør det lettere at fjerne stemplet **1**.
- Skru *Stempelkugle - Forside på forsiden af stemplet **1**.
- Placer hoveddelen **2** med næsen opad på en bænk. Brug derefter en blød mukkert til at banke stemplet **1** mod bagsiden af hoveddelen og ud af bagsiden, mens du passer på ikke at beskadige hoveddelens indvendige boring.
- Bemærk, at når du fjerner stemplet **1**, lækker der olie på stemplets trækside fra for- og bagsiden af hoveddelen **2**.
- Når du fjerner stemplet **1**, kan den forreste tætningspakning **15** blive siddende på stempelskaftet. Løsn i så fald *Stempelkugle - Forside og træk Forreste tætningspakning af stemplet.
- Stempeltætningen **26** er en tætning i 2 dele, der består af en udvendig tætningsring og en indvendig O-ring. Brug en lille kniv til at skære gennem den udvendige tætningsring, og fjern den fra den udvendige rille på stemplet **1**. Brug derefter en lille flad skruetrækker til at fjerne den indvendige O-ring fra stemplet, og kasser den. Når du fjerner tætningerne, skal du passe på ikke at beskadige stemplets overflade.
- Hvis den forreste tætningspakning **15** stadigvæk sidder i hoveddelen **2**. Placer hoveddelen med næsen opad på en bænk, og skub derefter den forreste tætningspakning fra forsiden, indtil den er fri fra fordybningen i hoveddelen. Den

Alle tal i **fed skrift** henviser til Generel samling og Reservedelsliste på side 190, 191 og 192.

* Servicekit på side 186.

forreste tætningspakning kan derefter fjernes fra hoveddelens bagside. Pas på ikke at beskadige den indvendige boring i hoveddelen, når du gør det.

- Brug en lille flad skruetrækker til at fjerne O-ringen **23** og spiral-reserveringen **34** fra den udvendige rille på den forreste tætningspakning **15**, og kasser den. Når du fjerner tætningerne, skal du passe på ikke at beskadige den forreste tætningspaknings overflade med skruetrækkeren.
- Fjern stangtætningen **25** og skrabetætningen **22** fra de indvendige riller på den forreste tætningspakning **15**, og kasser dem. Når du fjerner tætningerne, skal du passe på ikke at beskadige den forreste tætningspaknings overflade med skruetrækkeren.
- Fjern den forreste lejering **24**, og kontrollér delen for slid eller skade. Kasser om nødvendigt.
- Brug en lille flad skruetrækker til at fjerne O-ringen **21** fra hoveddelen **2** og kasser den.
- Fjern reserve *Hurtigkobling - hun fra Hurtigkobling - han 10 på Hydraulisk slange - Træk **19**.
- Fjern ikke sætskruen **42** fra hoveddelen **2**.

Montér i omvendt rækkefølge af afmontering, og bemærk følgende punkter:

- Rengør alle komponenter inden montering.
- For at hjælpe med montering af tætninger skal du påføre et let lag Molykote® 111 smøremiddel på alle tætninger, tætningsriller, reserveringe og monteringsværktøjerne.
- Skub O-ringen **23** over den forreste tætningspakning **15** og ind i den udvendige rille. Indsæt spiral-reserveringen **34** i den samme rille, foran den installerede O-ring. Se Generel samling og Reservedelsliste for den korrekte retning af O-ringen og spiral-reserveringen.
- Tryk den forreste lejering **24** ind i den indvendige fordybning i den forreste tætningspakning **15**, og installér derefter stangtætningen **25** bag den forreste lejering. Installér skrabetætningen **22** i den forreste fordybning af den forreste tætningspakning. Se Generel samling for at sikre den korrekte retning af stangtætningen og skrabetætningen.
- Smør overfladen og den ledende kant af hoveddelens **2** boring, hvor den forreste tætningspakning **15** skal installeres, med Molykote® 111 smøremiddel.
- Smør tappen på *Forreste pakning på styrestang-værktøjet, og placer derefter den forreste tætningspakning **15**, med stangtætningens **25** ende først, helt over tappen. Indsæt *Forreste pakning på styrestang i bagsiden af hoveddelen **2**, og skub derefter den forreste tætningspakning helt ind i hoveddelens boring. Der kræves en rimelig kraft for at indsætte forreste tætningspakning i hoveddelen, og det kan derfor være nødvendigt at bruge en presse eller skruestik. Fjern *Forreste pakning på styrestang, mens du sikrer dig, at den forreste tætningspakning er på plads.
- Smør tætningsrillen og den store udvendige diameter af stemplet **1** med Molykote® 111 smøremiddel. Skub stempeltætningen **26** over the forsiden af den store stempeldiameter og ind i tætningsrillen.
- Skru *Stempelkugle – Forside på stemplet **1**. Placer *Stempeltætningsrør over stempelakslen og placer derefter den udvendige tætningsring fra stempeltætning **26** over *Stempeltætningsrør, så den hviler på den koniske diameter. Smør overfladen af *Stempeltætningsrør med Molykote® 111 smøremiddel.
- Placer *Stempeltætningsplunger over stemplets **1** aksel og *Stempeltætningsrør, så den åbne ende af *Stempeltætningsplunger hviler på den udvendige tætningsring af stempeltætningen **26**. Brug *Stempeltætningsplunger til at skubbe den udvendige tætningsring over *Stempeltætningsrør og ind i Stempeltætningsrillen. Der kræves en rimelig kraft for at udvide og indsætte den udvendige tætningsring på stemplet, og det er derfor nødvendigt at bruge en presse eller skruestik.
- Fjern *Stempeltætningsplunger og *Stempeltætningsrør fra stemplet **1**. Smør *Stempelkugle - Forside, stempelskaft og stempeltætning **26** med Molykote® 111 smøremiddel.
- Skru *Stempelstyrerør helt ind i bagsiden af hoveddelen **2**. Smør borerne i både hoveddelen og *Stempelstyrerør med Molykote® 111 smøremiddel.
- Slut reserve *Hurtigkobling - hun til Hurtigkobling- han **10** på Hydraulisk slange - Træk **19**. Dette gør det muligt at frigøre luft fra træksiden af stemplet **1** ved indsætning af stemplet.
- Indsæt det samlede stempel **1** i bagsiden af hoveddelen **2** og gennem den samlede forreste tætningspakning **15**. Skub stemplet ind i den helt fremadrettede position, indtil den stopper mod den forreste tætningspakning. Der vil blive udstødt hydraulisk olie fra Hydraulisk slange - Træk **19**. Der kræves en rimelig kraft for at indsætte stemplet i hoveddelen, og det kan derfor være nødvendigt at bruge en presse eller skruestik.
- Fjern reserve *Hurtigkobling - hun fra Hurtigkobling - han **10** på Hydraulisk slange - Træk **19**. Fjern *Stempelstyrerør fra bagsiden af hoveddelen **2**.

Alle tal i **fed skrift** henviser til Generel samling og Reservedelsliste på side 190, 191 og 192.

* Servicekit på side 186.

- Skub O-ringen **30** over endehætten **17** og ind i den udvendige rille. Indsæt spiral-reserveringen **36** i den samme rille, bag den installerede O-ring. Se Generel samling og Reservedelsliste for den korrekte retning af O-ringen og spiral-reserveringen.
- Tryk den bageste lejerings **29** ind i den indvendige fordybning i den bageste tætningspakning **16**, og installér derefter stangtætningen **28** bag den bageste lejerings. Installér skrabetætningen **31** i den bageste fordybning af den bageste tætningspakning. Se Generel samling for at sikre den korrekte retning af stangtætningen og skrabetætningen.
- Klem værktøjshåndtaget i en skruestik med bløde kæber, så værktøjet vender med næsen nedad.
- Smør overfladen og den ledende kant af hoveddelens **2** boring, hvor den bageste tætningspakning **16** skal installeres, med Molykote® 111 smøremiddel.
- Fyld den bageste del af hoveddelen **2** med Enerpac® HF hydraulisk olie. Olieniveauet bør være lige over den bageste indgangsborings ind i hoveddelen.
- Slut reserve *Hurtigkobling - han til Hurtigkobling - hun **11** på Hydraulisk slange – Retur **18**. Dette gør det muligt at frigøre luft fra stemplets **1** rets side, når du indsætter endehætten **17**.
- Smør både det indvendige gevind i hoveddelen **2** og det udvendige gevind på endehætten **17** med MolyLithium-smøremiddel.
- Indsæt endehætten **17** i bagsiden af hoveddelen **2**, mens du passer på ikke beskadige O-ringen **30** og spiral-reserveringen **36** på hoveddelens gevind. Skru endehætten **17** helt ind i hoveddelens bagside ved hjælp af *Værktøj til endehættesamling. Herunder vil en lille mængde olie blive udstødt fra Hydraulisk slange - Retur **18**.
- Fjern reserve *Hurtigkobling - han fra Hurtigkobling - hun **11** på Hydraulisk slange - Retur **18**.
- Skru spændepatronadapteren **40** på stemplet **1**, indtil forsiden flugter med stempelenden. Flugt hullet i spændepatronadapteren med hullet i stempelenden, og indsæt derefter låsestiften **41**.
- Klargør placeringsværktøjet som beskrevet i Klargøring til brug på side 184.

Slangesamling:

- Fjern de to skruer **9** fra slangeklemmen **13** ved hjælp af en 3,0 mm unbrakonøgle. Fjern slangeklemmen og klemmeindsatsen **20** fra beskyttelsesrøret **37** og Hydraulisk slange - Retur **18** og Træk **19**.
- Brug den lille flade skruetrækker til at åbne håndtagsgatøren **8** fra håndtaget på hoveddelen **2**. Træk håndtagsgatøren og beskyttelsesrøret **37**, Hydraulisk slange - Retur **18** og Træk **19** og fjern det.
- Skær kabelbåndet **35** og skub beskyttelsesrøret **37** tilbage for at eksponere fittingerne på Hydrauliske slanger **18** og **19**. De hydrauliske slanger kan fjernes fra hoveddelen **2** ved hjælp af 12 mm og 14 mm skruenøgler.
- Hurtigkoblinger - han **10** og hun **11** kan fjernes fra Hydrauliske slanger **18** og **19** ved hjælp af 18 mm og 24 mm skruenøgler.
- For at fjerne udløserkontakten **7** skal du først løsne kabelpakningen **38**, så styrekablet **14** kan bevæges frit inden for hoveddelen **2**. Løsn derefter M4 sætskruen **12** ved hjælp af en 2,0 mm unbrakonøgle.
- Skub styrekablet **14** ind i hoveddelen **2** og træk samtidig udløserkontakten **7** ud af hoveddelen for at eksponere lodningsforbindelserne på udløserkontaktens terminaler. Fjern terminallodningen for at fjerne udløserkontakten og udløserindsatsen **39**. Udløserindsatsen er limet fast til udløserkontakten og kan ikke fjernes.
- Styrekablet **14** kan nu trækkes ud af hoveddelen **2** og fjernes fra beskyttelsesrøret **37**.

Montér i omvendt rækkefølge af afmontering, og bemærk følgende punkter:

- Inden montering skal du rengøre alle gevind på Hurtigkoblinger - han **10** og hun **11** samt Hydrauliske slanger - Retur **18** og Træk **19**. Påfør derefter to til tre lag 10 mm PTFE-tape på hangevindene på begge hydrauliske slanger.
- Når du udskifter udløserkontakten **7** skal du smøre *Loctite® 243 på hangevindet på udløserkontakten, inden du monterer udløserindsatsen **39**.
- Smør *Loctite® 243 på M4 sætskruen **12** før montering.
- Når det er monteret, skal du klargøre værktøjet ifølge instruktionerne på side 184.

5.8 MILJØBESKYTTELSE

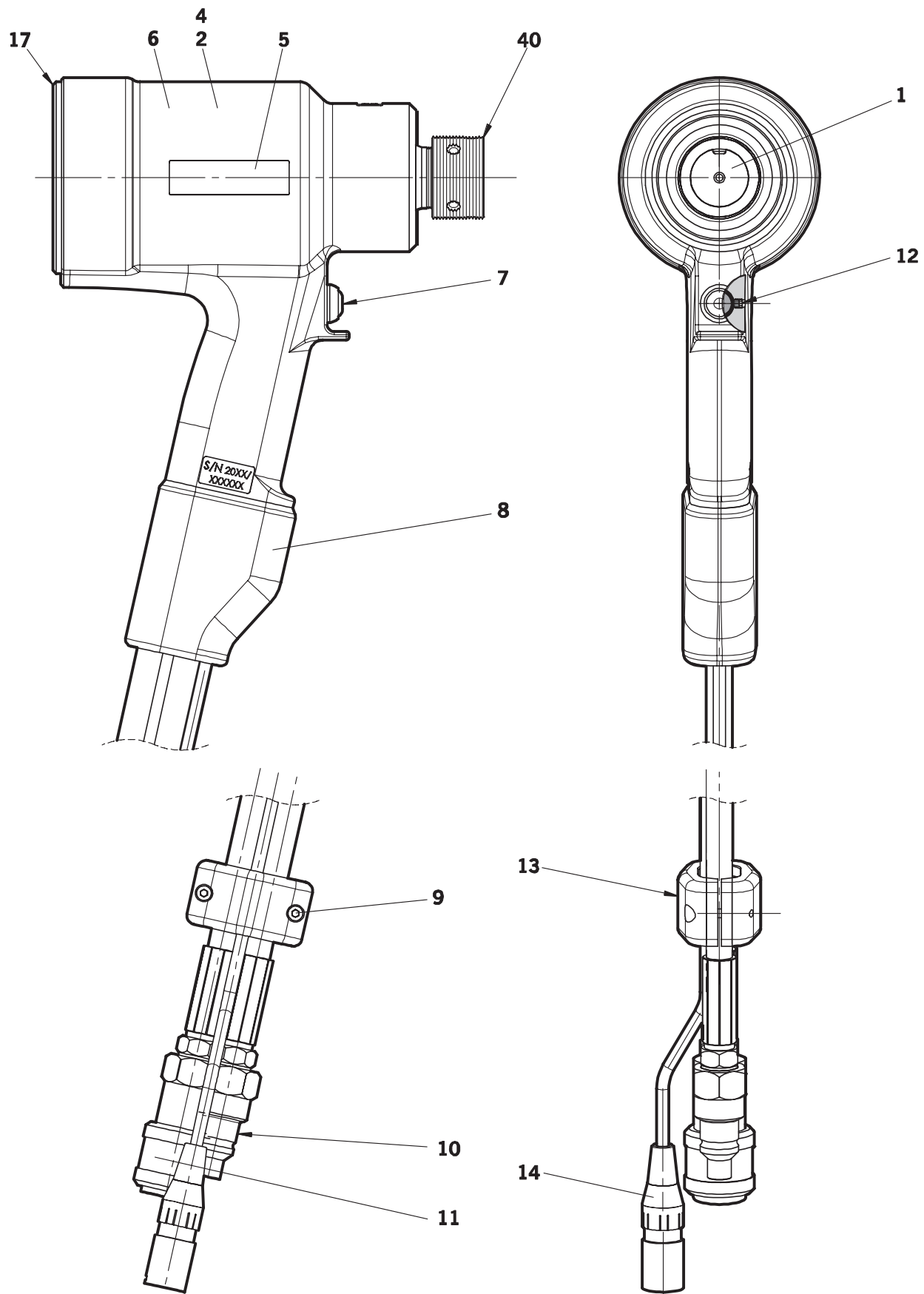
- Sørg for overensstemmelse med gældende bestemmelser for bortskaffelse. Bortskaf alle affaldsprodukter på et godkendt affaldsanlæg eller sted for ikke at udsætte personale og miljøet for farer.

Alle tal i **fed skrift** henviser til Generel samling og Reservedelsliste på side 190, 191 og 192.

* Servicekit på side 186.

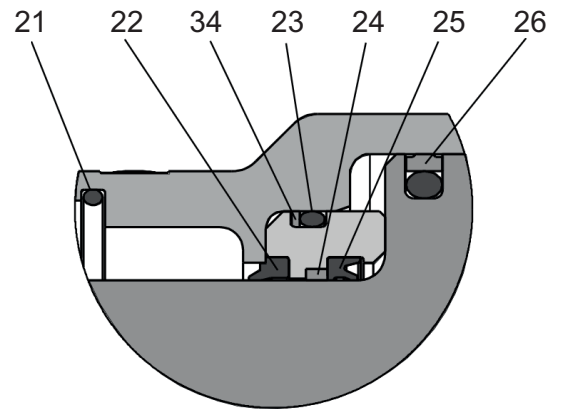
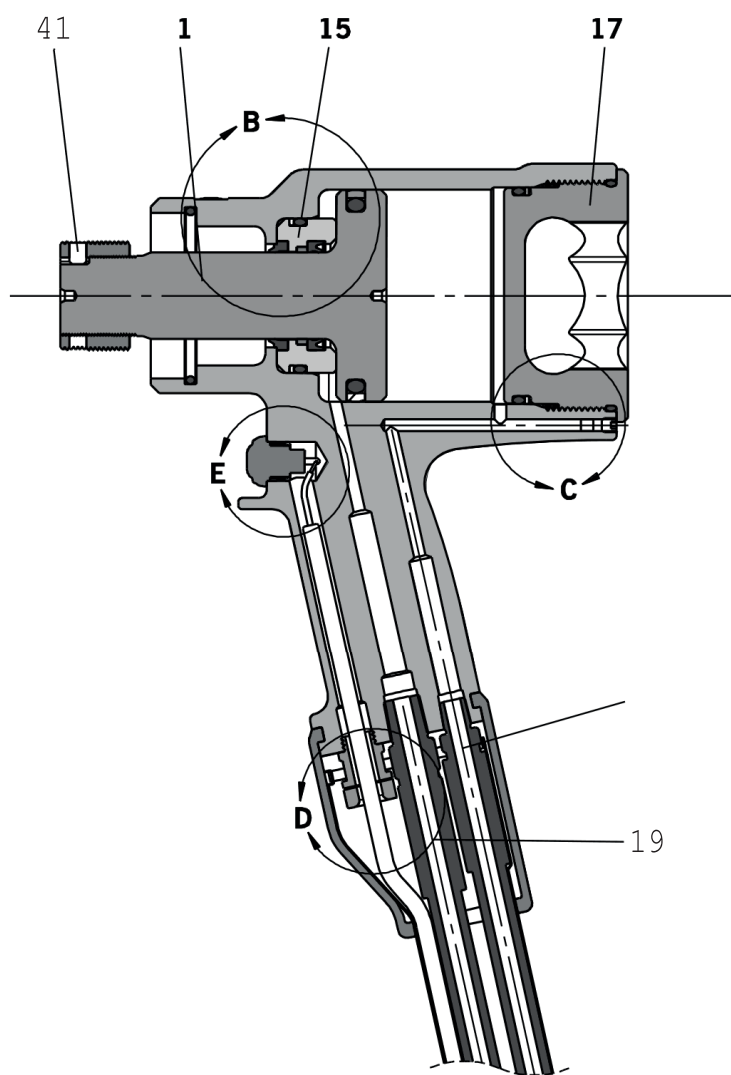
6. GENEREL SAMLING OG RESERVEDELSLISTE

6.1 GENEREL SAMLING

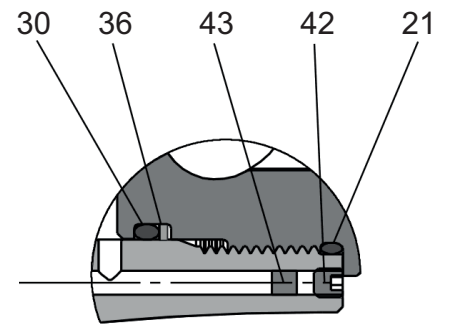


ITEM 37 PROTECTIVE SLEEVE
REMOVED FOR CLARITY

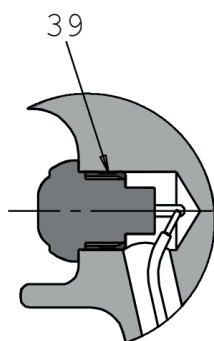
ITEM 37 PROTECTIVE SLEEVE
REMOVED FOR CLARITY



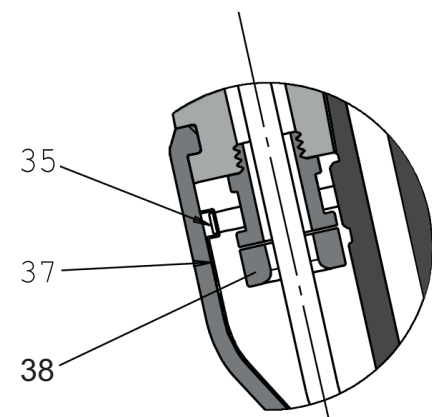
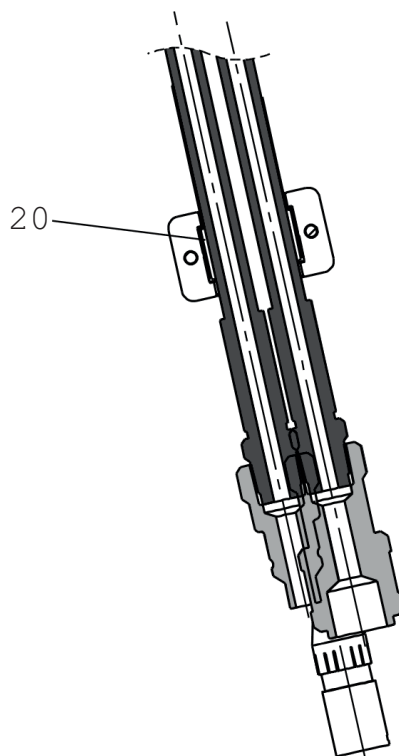
DETAIL B



DETAIL C



DETAIL E



DETAIL D

6.2 RESERVEDELSLISTE

73432-02000 Reservedelsliste			
ELEMENT	RESERVEDELSNUMMER	BESKRIVELSE	ANTAL
1	73434-02003	STEMPEL	1
2	73434-02001	KROP	1
3			
4	73425-02016	SIKKERHEDSMÆRKE	1
5	73434-02026	AV30 MÆRKE	2
6	07007-01504	CE & UKCA MÆRKE	1
7	07007-02103	UDLØSERKONTAKT	1
8	73430-02020	HÅNDTAGSGATOR	1
9	07001-00686	M4 X 16 SKT HÆTTE HD-SKRUE	2
10	07005-10118	HURTIGKOBLING - HAN	1
11	07005-10120	HURTIGKOBLING - HUN	1
12	07001-00479	M4 X 4 SKT SÆTSKRUE	1
13	73430-02023	SLANGEKLEMME	1
14	07007-02105	STYREKABEL	1
15	73434-02004	FORRESTE TÆTNINGSPAKNING	1
16			
17	73434-02005	ENDEHÆTTE	1
18	07005-10119	HYDRAULISK SLANGE - RETUR	1
19	07005-10117	HYDRAULISK SLANGE - TRÆK	1
20	73430-02024	KLEMMEINDSATS	1
21	07003-00463	O-RING	2
22	07003-00452	SKRABETÆTNING	1
23	07003-00461	O-RING	1
24	73434-02009	FORRESTE LEJERING	1
25	07003-00451	STANGTÆTNING	1
26	07003-00453	STEMPELTÆTNING	1
27			
28			
29			
30	07003-00464	O-RING	1
31			
32			
33			
34	07003-00494	SPIRAL-RESERVERING	1
35	07007-02032	KABELBÅND	1
36	07003-00496	SPIRAL-RESERVERING	1
37	07005-10121	BESKYTTELSESRØR	0,6m
38	07007-02104	KABELPAKNING	1
39	73430-02008	UDLØSERINDSATS	1
40	73434-02012	SPÆNDEPATRONADAPTER	1
41	73434-02013	LÅSESTIFT	1
42	07001-00481	M5 X 5 SKT SÆTSKRUE	1
-	07900-01022	AV30 VÆRKTØJSVEJLEDNING	1

7. SIKKERHEDSDATA

7.1 ENERPACE® HF HYDRAULISK OLIE - SIKKERHEDSDATA

FØRSTEHJÆLP

HUD:

Det er usandsynligt, at det skader huden ved kortvarig eller lejlighedsvis kontakt, men langvarig brug eller eksponering kan føre til dermatitis. Vask huden grundigt med sæbe og vand, så hurtigt det kan lade sig gøre rent praktisk. Fjern meget kontamineret tøj og vask underliggende hud.

ORAL:

Det er usandsynligt, at det forårsager skade, hvis det ved et uheld indtages i små doser, selvom større mængder kan forårsage kvalme og diarré. Hvis der opstår kontaminering af munden, skal den skylles grundigt med vand. Med mindre det sker som en bevidst handling, er det usandsynligt, at der indtages store mængder af produktet. Hvis det skulle ske, må du ikke fremkalde opkastning. Søg lægehjælp. Tag personen til den nærmeste læge.

ØJNE:

Det er usandsynligt, at det forårsager mere end forbigående svien eller rødme, hvis der opstår utilsigtet øjenkontakt. Skyl øjnene grundigt med rigelige mængder vand, mens du sikrer, at øjenlågene holdes åbne. Søg lægehjælp, hvis der opstår smerter eller rødmen, eller det varer ved.

LÆGERÅD:

Behandlingen bør generelt være symptomatisk og være rettet mod at lindre eventuelle virkninger.

Bemærk: Højtryksanvendelser:

Indsprøjtning gennem huden som følge af kontakt med produktet ved højtryk udgør en større medicinsk nødsituation. Skader ser måske ikke alvorlige ud i starten, men inden for få timer bliver vævet hævet, misfarvet og ekstremt smertefuld med omfattende subkutan nekrose.

Der bør straks foretages kirurgisk udforskning. Det er nødvendigt at foretage en grundig og omfattende debridering af såret og det underliggende væv for at minimere vævstab og forhindre eller begrænse permanent skade. Bemærk, at højtryk kan tvinge produktet betydelige afstande langs vævsplaner.

BORTSKAFFELSE

Fjern alle spild med inaktivt absorberende materiale. Ventil spildområdet. Placer forurenede materialer i en engangsbeholder og bortskaf på en måde, der er i overensstemmelse med lokale bestemmelser.

BRAND

FLAMMEPUNKT: 200°C.

Sluk med enten tør kemikalie, skum eller kuldioxid. Gå ikke ind i lukket rum uden et selvstændigt åndedrætsværn.

HÅNDBLING

Brug barrierecreme eller olieresistente handsker.

OPBEVARING

Under dække og i overensstemmelse med lokale regler for brandfarligt materiale.

7.2 MOLYLITHIUM SMØREMIDDEL EP 3753 - SIKKERHEDSDATA

Smøremiddel kan bestilles som en enkelt vare. Varenummeret vises i servicekittet på side 186.

FØRSTEHJÆLP

HUD:

Da smøremidlet er helt vandafvisende, fjernes det bedst med et godkendt, emulgerende hudrensemiddel.

INDTAGELSE:

Sørg for, at personen drikker 30 ml magnesiæmælk, helst i en kop mælk.

ØJNE:

Irriterende, men ikke skadeligt. Skyl med vand og søg lægehjælp.

BRAND

FLAMMEPUNKT: Over 220 °C.

Ikke klassificeret som brændbart.

Egnede slukningsmidler: CO₂, Halon eller vandspray, hvis det påføres af en erfaren operatør.

MILJØ

Opsaml til forbrænding eller bortskaffelse på godkendt sted.

HÅNDBLING

Brug barrierecreme eller olieresistente handsker

OPBEVARING

Væk fra varme og oxidationsmiddel.

7.3 MOLYKOTE® 111 SMØREMIDDEL - SIKKERHEDSDATA

Smøremiddel kan bestilles som en enkelt vare. Varenummeret vises i servicekittet på side 186.

FØRSTEHJÆLP

HUD:

Ingen førstehjælp er nødvendig.

INDTAGELSE:

Ingen førstehjælp er nødvendig.

ØJNE:

Ingen førstehjælp er nødvendig.

INDÅNDING:

Ingen førstehjælp er nødvendig.

BRAND

FLAMMEPUNKT: Over 101,1 °C. (lukket kop)

Eksplorative egenskaber: Nej

Egnede slukningsmidler: Kuldioxidskum, tørt pulver eller fin vandspray. Vand kan bruges til at afkøle beholdere udsat for brand.

MILJØ

Der forudses ingen bivirkninger.

HÅNDBLING

Generel ventilation anbefales. Undgå øjenkontakt.

OPBEVARING

Opbevar ikke med oxidationsmidler. Hold beholderen lukket, og opbevar den væk fra vand eller fugt.

8. FEJLFINDING

SYMPTOM	MULIG ÅRSAG	AFHJÆLPNING	SIDE REF.
Placeringsværktøj virker ikke	Ikke operativ pumpeenhed	Kontrollér pumpens strømforsyning, og se instruktionsvejledningen til pumpeenheten	
	Defekte hurtigkoblinger 10 og 11	Udskift hurtigkoblinger	189
	Udløserstyre kabel 14 ikke korrekt tilsluttet	Kontrollér, at styrekabel er tilsluttet korrekt ved pumpe og placeringsværktøj	184
	Beskadiget udløserkontakt 7 eller styrekabel 14	Udskift udløserkontakt og/eller styrekabel	189
Udløserkontakt 7 virker ikke	Pumpe i lokal tilstand	Se instruktionsvejledningen til pumpe	
	Udløserkontakt 7 , styrekabel 14 eller konnektor beskadiget	Udskift udløserkontakt og/eller styrekabel	189
Pumpe kører, men placeringsværktøjer virker ikke	Hydrauliske slanger ikke tilsluttet	Kontrollér for korrekte forbindelser ved pumpe og placeringsværktøj	184
	Lavt olieniveau	Sørg for, at placeringsværktøjet er fyldt med olie og korrekt klargjort Se instruktionsvejledningen til pumpe	184
	Ekstern olielækage på placeringsværktøj	Efterse placeringsværktøj – udskift slidte eller beskadigede komponenter	187 - 189
	Ekstern olielækage på slangesamling	Efterse slangesamling – sørg for, at slangeforbindelser er tætte og/eller udskift beskadigede slangekonnektorer	189
	Intern/ekstern olielækage på pumpe	Se instruktionsvejledningen til pumpe	
	Lav eller uregelmæssig hydraulisk trykforsyning	Se instruktionsvejledningen til pumpe	
Placeringsværktøj fungerer uforudsigeligt	Slidte eller beskadigede hydrauliske tætninger i placeringsværktøjet	Efterse placeringsværktøj – udskift slidte eller beskadigede tætninger	187 - 189
	Slidte eller beskadigede hydrauliske tætningsoverflader i placeringsværktøjet	Efterse placeringsværktøj – udskift slidte eller beskadigede komponenter	187 - 189
	Intern/ekstern olielækage på pumpe	Se instruktionsvejledningen til pumpe	
Pumpen opbygger fuldt tryk, men stiftenden brydes ikke	Brudbelastning større end placeringsværktøjets kapacitet ved fuldt tryk	Se specifikation for placeringsværktøj	181
	Strømning til placeringsværktøj blokeret	Kontrollér hurtigkoblinger 10 og 11 for fuld tilkobling	184
	Værdi af pumpetrykaflastning indstillet for lavt	Juster indstillinger for trykaflastningsventil – se instruktionsvejledningen til pumpe	
	Trækriller på nittestiftende overskruet	Se symptom på side 196	185
	Forkert værktøjsbetjening		185

SYMPTOM	MULIG ÅRSAG	AFHJÆLPNING	SIDE REF.
Placeringsværktøjets stempel 1 vender ikke tilbage	Returstrøm begrænset eller blokeret	Kontrollér hurtigkoblinger 10 og 11 for fuld tilkobling og/eller fejl	184
	Hydrauliske slanger ikke tilsluttet	Kontrollér for korrekte forbindelser ved pumpe og placeringsværktøj	184
	Funktionsfejl i pumpeventil	Se instruktionsvejledningen til pumpe	
	Indstilling af pumpereturtimer forkert – indstillet for lavt	Juster returtimer til anbefalet indstilling – se instruktionsvejledningen til pumpe	
Placeringsværktøj skubber ikke spændepatron ud af ambolten	Pumpereturtrykaflastningsventil indstillet for lavt	Juster returtrykaflastningsventil til korrekt indstilling – se instruktionsvejledningen til pumpe	
	Lav eller uregelmæssig hydraulisk trykforsyning	Se instruktionsvejledningen til pumpe	
	Slidte eller beskadigede hydrauliske tætninger i placeringsværktøjet	Efterse placeringsværktøj – udskift slidte eller beskadigede tætninger	187 - 189
	Slidte eller beskadigede hydrauliske tætningsoverflader i placeringsværktøjet	Efterse placeringsværktøj – udskift slidte eller beskadigede komponenter	187 - 189
Trækriller på nittestiftende overskruet under installation	Intern/ekstern olielækage på pumpe	Se instruktionsvejledningen til pumpe	
	Operatøren skubber ikke næsen helt ned på nittestiftenden før betjening af værktøjet	Instruer operatøren i korrekt installationsmetode	185
	Forkert nittelængde/greblængde Slidte eller beskadigede kæbesegmenter	Brug korrekt nitte Kontrollér og udskift kæbesæt – se datablad til næseudstyr	185
	Rester i kæbesegmenter og/eller stiftenderiller	Rengør kæbesegmenter – se datablad til næseudstyr	
Avdelok® eller Avbolt® spændepatron ikke helt drevet	For stort arkmellemrum	Luk mellemrum mellem ark	185
	Forkert værktøjsbetjening		185
Stiftende frigøres ikke fra næseudstyr	Slidt amboltboring	Kontrollér og udskift ambolt – se datablad til næseudstyr	
	Forkert montering af næseudstyr	Se datablad til næseudstyr	
Placeringsværktøj og hydraulisk olie løber varmt	Begrænsning i hydraulisk ledning	Kontrollér hydrauliske hurtigkoblinger 10 og 11 og udskift dem efter behov	189
	Høj omgivelsestemperatur		
Hydrauliske hurtigkoblinger 10 og 11 lækker olie	Slidt O-ring i hoveddel af Hurtigkobling - han 10	Udskift O-ring og reservering i hurtigkobling 10	189

Alle tal i **fed skrift** henviser til Generel samling og Reservedelsliste på side 190, 191 og 192.

* Servicekit på side 186.

9. EU-OVERENSSTEMMELSESERKLÆRING

Vi, **Stanley Engineered Fastening, Stanley House, Works Road, Letchworth Garden City, Hertfordshire, SG6 1JY STORBRITANNIEN**, erklærer under ansvar at produktet:

Beskrivelse: AV30 HYDROELEKTRISK ELVÆRKTØJ

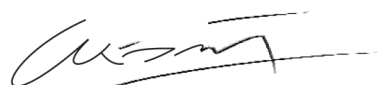
Model: AV30 STRUKTURELT VÆRKTØJ – 73434-02000

hvortil erklæringen er knyttet, er i overensstemmelse med følgende harmoniserede standarder:

ISO 12100:2010	EN ISO 3744:2010
EN ISO 11202:2010	EN ISO 11148-1:2011
EN ISO 4413:2010	EN ISO 20643:2008+A1:2012
EN ISO 4414:2010	ES100118-rev 17:2017
EN ISO 28927-5:2009+A1:2015	

Teknisk dokumentation er udarbejdet i overensstemmelse med bilag 1, afsnit 1.7.4.1, i henhold til følgende direktiv: **2006/42/EF Maskindirektivet** (Lovinstrumenter 2008 nr. 1597 - Forordninger om levering af maskiner (sikkerhed)).

Undertegnede erklærer på vegne af STANLEY Engineered Fastening



A. K. Seewraj

Director of Engineering, UK

Avdel UK Limited, Stanley House, Works Road, Letchworth Garden City, Hertfordshire,
SG6 1JY STORBRITANNIEN

Udstedelsessted: Letchworth Garden City, UK

Udstedelsesdato: 12-12-2011

Undertegnede er ansvarlig for udarbejdelsen af den tekniske fil for produkter, der sælges i EU, og afgiver denne erklæring på vegne af Stanley Engineered Fastening.

Matthias Appel

Holdleder for teknisk dokumentation

Stanley Engineered Fastening, Tucker GmbH, Max-Eyth-Str.1,
35394 Gießen, Tyskland



Denne maskine er i overensstemmelse med
Maskindirektiv 2006/42/EF

10. UK OVERENSSTEMMELSESERKLÆRING

Vi, **Stanley Engineered Fastening, Stanley House, Works Road, Letchworth Garden City, Hertfordshire, SG6 1JY STORBRITANNIEN**, erklærer under ansvar at produktet:

Beskrivelse: AV30 HYDROELEKTRISK ELVÆRKTØJ

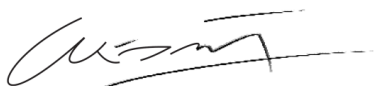
Model: AV30 STRUKTURELT VÆRKTØJ – 73434-02000

hvtill erklæringen er knyttet, er i overensstemmelse med følgende harmoniserede standarder:

ISO 12100:2010	EN ISO 3744:2010
EN ISO 11202:2010	EN ISO 11148-1:2011
EN ISO 4413:2010	EN ISO 20643:2008+A1:2012
EN ISO 4414:2010	ES100118-rev 17:2017
EN ISO 28927-5:2009+A1:2015	

Teknisk dokumentation er udarbejdet i overensstemmelse med Forordninger om levering af maskiner (sikkerhed) 2008, S.I. 2008/1597 (som ændret).

Undertegnede erklærer på vegne af STANLEY Engineered Fastening



A. K. Seewraj

Director of Engineering, UK

Avdel UK Limited, Stanley House, Works Road, Letchworth Garden City, Hertfordshire,
SG6 1JY STORBRITANNIEN

Udstedelsessted: Letchworth Garden City, UK

Udstedelsesdato: 12-12-2011



Denne maskine er i overensstemmelse med
Forordninger om levering af maskiner (sikkerhed) 2008,
S.I. 2008/1597 (som ændret)

11. BESKYT DIN INVESTERING!

Stanley® Engineered Fastening VÆRKTØJ TIL BLINDNITTER - GARANTI

STANLEY® Engineered Fastening garanterer, at alle elværktøjer er blevet omhyggeligt fremstillet, og at de vil være fri for materiale- og udførelsesfejl under normal brug og service i en periode på et (1) år.

Denne garanti gælder kun for førstegangskøberen af værktøjet til oprindelig brug.

Undtagelser:

Normal slitage.

Periodisk vedligeholdelse, reparation, reservedele som følge af normal slitage er undtaget fra dækning.

Forkert brug & misbrug.

Fejl eller skader, som skyldes forkert betjening, opbevaring, forkert brug eller misbrug, ulykke eller forsømmelse som f.eks. fysisk skade er udelukket fra dækning.

Uautoriseret service eller ændring.

Mangler eller skader som følge af service, testjustering, installation, vedligeholdelse, ombygning eller ændring på nogen måde af andre end STANLEY® Engineered Fastening eller dets autoriserede servicecentre, er udelukket fra dækning.

Alle andre garantier, enten udtrykt eller underforstået, herunder eventuelle garantier for salgbarhed eller egnethed til formålet udelukkes hermed.

Skulle dette værktøj ikke leve op til garantien, skal du straks returnere værktøjet til det af vores fabriksautoriserede servicecentre, der befinder sig tættest på dig. For en liste over STANLEY® Engineered Fastening autoriserede servicecentre i USA eller Canada, kan du kontakte os på vores gratis nummer (877)364 2781.

Besøg vores websted **www.StanleyEngineeredFastening.com** for at finde den nærmeste STANLEY Engineered Fastening filial udenfor USA og Canada.

STANLEY Engineered Fastening vil derefter gratis erstatte enhver del eller dele, som vi finder er defekte på grund af materiale- eller fabrikationsfejl og returnere værktøjet forudbetalt. Dette repræsenterer vores eneste forpligtelse under denne garanti.

STANLEY Engineered Fastening vil under ingen omstændigheder være ansvarlig for eventuelle følgeskader eller særlige skader, der følger af køb eller brug af dette værktøj.

Registrér dit blindnitteværktøj online.

Besøg os for at registrere din garanti online på

<https://www.stanleyengineeredfastening.com/support/warranty-registration-form>

Tak fordi du har valgt et værktøj af mærket STANLEY® Engineered Fastening's Stanley Assembly Technologies.

©2019 STANLEY Black & Decker Kaikki oikeudet pidätetään.

Tässä olevia tietoja ei saa jäljentää ja/tai julkistaa millään tavalla tai millään keinoilla (sähköisesti tai mekaanisesti) ilman STANLEY Engineered Fasteningin etukäteen hankittua kirjallista lupaa. Annetut tiedot perustuvat tuotteen julkaisuhetkellä tiedettyihin tietoihin. STANLEY Engineered Fastening pyrkii jatkuvaan tuotekehittelyyn ja tämän vuoksi tuotteita saatetaan muuttaa. Annetut tiedot soveltuvat tuotteeseen siinä muodossa, kuin STANLEY Engineered Fastening on sen toimittanut. Tämän vuoksi STANLEY Engineered Fasteningia ei voida pitää vastuussa mistään vahingoista, jotka aiheutuvat poikkeamista tuotteen alkuperäisistä teknisistä tiedoista.

Tiedot on laadittu äärimmäisen huolellisesti. STANLEY Engineered Fastening ei kuitenkaan ota vastuuta tietojen virheistä tai virheiden seurauksista. STANLEY Engineered Fastening ei hyväksy vastuuta kolmansien osapuolien suorittamien toimien aiheuttamista vaurioita. STANLEY Engineered Fasteningin käyttämiä alustavia nimiä, kauppanimiä, rekisteröityjä tavaramerkkejä jne. ei tule pitää ilmaisina tavaramerkkien suojan lainsäädännön mukaisesti.

SISÄLLYSLUETTELO

1. TURVAMÄÄRITYKSET	202
1.1 YLEISET TURVALLISUUSOHJEET	202
1.2 SINKOAVIEN OSIEN VAARAT	202
1.3 KÄYTTÖVAARAT	203
1.4 TOISTUVIEN LIIKKEIDEN VAARAT	203
1.5 LISÄVARUSTEIDEN VAARAT	203
1.6 TYÖTILAN VAARAT	203
1.7 ÄÄNITASON VAARAT	204
1.8 TÄRINÄVAARAT	204
1.9 HYDRAULISTEN SÄHKÖTYÖKALUJEN LISÄTURVALLISUUSOHJEET	204
2. MÄÄRITYKSET	205
2.1 KÄYTTÖTARKOITUS.....	205
2.2 TYÖKALUN TEKNISET TIEDOT	205
2.3 TYÖKALUN MITAT	206
3. KÄYTTÖNOTTO.....	207
3.1 TOIMINTAPERIAATE	207
3.2 VALMISTELUTOIMET.....	208
4. KÄYTTÖOHJEET	209
4.1 AVBOLT®-KIINNITTIMEN ASENTAMINEN	209
4.2 AVDELOK® XT -KIINNIKKEEN ASENTAMINEN	209
5. TYÖKALUN HUOLTO	210
5.1 PÄIVITTÄINEN HUOLTO.....	210
5.2 VIIKOITTAINEN HUOLTO.....	210
5.3 VUOSITTAINEN HUOLTO / 150 000 KÄYTTÖKERRAN VÄLEIN.....	210
5.4 HUOLTOSARJA	210
5.5 HUOLTOVÄLINEET	210
5.6 HYDRAULINEN ÖLJY	210
5.7 PURKUOHJEET.....	211
5.8 YMPÄRISTÖNSUOJELU	213
6. LAITEKAAVIO JA OSALUETTELO.....	214
6.1 LAITEKAAVIO.....	214
6.2 OSALUETTELO	216
7. TURVATIEDOT	217
7.1 ENERPACE® HF HYDRAULIÖLJY - TURVALLISUUSTIEDOT	217
7.2 MOLY-LITIUMRASVA EP 3753 - TURVALLISUUSTIEDOT.....	217
7.3 MOLYKOTE® 111 -RASVA - TURVALLISUUSTIEDOT	218
8. VIANMÄÄRITYS	219
9. EY-VAATIMUSTENMUKAISUUSVAKUUTUS.....	221
10. ISON-BRITANNIAN VAATIMUSTENMUKAISUUSVAKUUTUS	222
11. TURVAA SIJOITUKSESI!.....	223



Kaikkien tätä työkalua asentavien tai käyttävien henkilöiden tulee lukea tämä käyttöohje ja kiinnittää erityistä huomiota seuraaviin varoituksiin ja turvallisuusohjeisiin.



Käytä aina iskuilta suojaavia suojalaseja työkalun käyttämisen aikana. Vaadittu suojaustaso tulee arvioida kunkin käyttökerran yhteydessä.



Työkalun käyttämisen aikana käyttäjän kädet voivat altistua murskautumis-, isku-, leikkautumis-, hankautumis- ja lämpövaaroille. Suojaa kädet asianmukaisilla suojakäsineillä.



Käytä kuulonsuojaimia työnantajan ohjeiden mukaisesti noudattaen työterveyteen- ja turvallisuuteen liittyviä määräyksiä.

1. TURVAMÄÄRITYKSET

Alla näkyvät selitykset liittyvät turvallisuuteen. Lue käyttöohje ja kiinnitä huomiota näihin symboleihin.



VAARA: Osoittaa välittömästi vaarallisen tilanteen. Jos tilannetta ei vältetä, se aiheuttaa hengen- tai vakavan vaaran.



VAROITUS: Ilmoittaa, että olemassa on kuoleman tai vakavan henkilövahingon mahdollisuus.



HUOMIO: Osoittaa mahdollisesti vaarallisen tilanteen. Jos tilannetta ei vältetä, se saattaa aiheuttaa pienen tai keskitason loukkaantumisen.



HUOMIO: Käytettynä ilman turvallisuuden hälytyskuvaketta osoittaa mahdollisesti vaarallisen tilanteen. Jos tilannetta ei vältetä, se saattaa aiheuttaa omaisuusvahingon.

Tuotteen virheellinen käyttö tai ylläpito saattaa aiheuttaa vakavan loukkaantumisen ja omaisuusvahingon. Sinun tulee lukea ja ymmärtää kaikki varoitukset ja käyttöohjeet ennen laitteiston käyttöä. Sähkötyökaluja käyttäessä tulee noudattaa aina perusvarotoimia henkilövahinkovaaran välttämiseksi.

SÄILYTÄ KAIKKI VAROITUKSET JA OHJEET MYÖHEMPÄÄ KÄYTTÖÄ VARTEN.

1.1 YLEISET TURVALLISUUSOHJEET

- Vaarojen välttämiseksi turvallisuusohjeet tulee lukea ja ymmärtää ennen työkalun asentamista, käyttämistä, korjaamista, huoltamista tai lisävarusteiden vaihtamista tai työkalun lähellä työskentelemistä. Muutoin seurauksena voi olla vakava henkilövahinko.
- Ainoastaan pätevät ja koulutetut käyttäjät saavat asentaa tämän työkalun tai säätää ja käyttää sitä.
- ÄLÄ käytä muuhun käyttötarkoitukseen STANLEY Engineered Fastening -sokkoniittien kiinnittämiseen.
- Käytä vain valmistajan suosittelemia osia, kiinnikkeitä ja lisävarusteita.
- ÄLÄ tee työkaluun muutoksia. Muutokset heikentävät turvaominaisuuksien tehokkuutta ja lisäävät käyttäjän riskejä. Kaikki asiakkaan työkaluun tekemät muutokset ovat täysin asiakkaan omalla vastuulla ja ne mitätöivät kaikki sovellettavat takuut.
- Älä hävitä turvallisuusohjeita, ne tulee antaa käyttäjälle.
- Älä käytä työkalua, jos se on vaurioitunut.
- Tarkista ennen käyttöä liikkuvat osat, niiden kiinnitys, osien eheys ja muut toimintaan vaikuttavat tekijät. Jos havaitset vaurioita, korjauta työkalu ennen sen käyttämistä. Poista jokoavain tai kiintoavain ennen käyttöä.
- Työkalut tulee tarkistaa säännöllisesti työkaluun merkittyjen ISO 11148 -vaatimusten mukaisten arvojen ja merkintöjen hyvän luettavuuden varmistamiseksi. Työnantajan/käyttäjän tulee ottaa yhteyttä valmistajaan, jos uusia merkkejä tarvitaan.
- Koulutetun henkilöstön täytyy aina ylläpitää työkalu turvallisessa työtilassa, ja se tulee tarkistaa säännöllisin väliajoin vaurioiden ja toiminnan osalta. Vain koulutettu henkilöstö saa purkaa laitteen. Älä pura työkalua ilman, että tutustut ylläpito-ohjeisiin.

1.2 SINKOAVIEN OSIEN VAARAT

- Irrota työkalu hydraulisesta pumpusta ennen kuin teet ylläpilotöitä, yrität säätää, asettaa tai irrottaa kärkikokoonpanoa tai lisävarusteita.
- Huomaa, että työstökappaleista tai lisävarusteista, tai jopa itse työkalusta voi singota osia suurilla nopeuksilla.
- Käytä aina iskuilta suojaavia suojalaseja työkalun käyttämisen aikana. Vaadittu suojaustaso tulee arvioida kunkin käyttökerran yhteydessä.

- Arvioi tällöin myös sivullisille aiheutuvat vaarat.
- Varmista, että työstökappale on kiinnitetty hyvin.
- Tarkista, että kiinnikkeiden ja/tai karan suojat ovat paikoillaan ja hyväkuntoisia.
- Varoita karojen mahdollisesta sinkoutumisvaarasta työkalun etuosassa.
- ÄLÄ käytä työkalua, kun se on suunnattu ihmisiin päin.

1.3 KÄYTTÖVAARAT

- Työkalun käyttämisen aikana käyttäjän kädet voivat altistua murskautumis-, isku-, leikkautumis-, hankautumis- ja lämpövaaroille. Suojaa kädet asianmukaisilla suojakäsineillä.
- Käyttö- ja huoltohenkilöstön tulee pystyä fyysisesti käsittelemään työkalun kokoa, painoa ja tehoa.
- Työkalun käyttöasennon tulee olla asianmukainen; valmistaudu vastaamaan normaaleihin tai äkkinäisiin liikkeisiin ja käytä työkalua molemmilla käsillä.
- Pidä työkalun kahvat kuivina, puhtaina sekä puhtaina öljystä ja rasvasta.
- Säilytä hyvä tasapaino ja jalansija työkalua käyttäessä.
- Vapauta käynnistys- ja pysäytyslaitte hydraulisen syötön keskeytymisen varalta.
- Käytä ainoastaan valmistajan suosittelemia voiteluaineita.
- Vältä kontaktia hydrauliseen nesteeseen. Jos kuitenkin niin käy, pese kontaktialue huolellisesti ihottumien välttämiseksi.
- Hydrauliöljyjien ja voiteluaineiden terveydelle vaarallisten aineiden käyttöturvallisuustiedotteet ovat saatavilla pyynnöstä työkalun toimittajalta.
- Vältä sopimattomia asentoja, sillä ne eivät mahdollista vastaamista normaaleihin tai äkkinäisiin työkalun liikkeisiin vastaaminen.
- Jos työkalu on kiinnitetty kannatusjärjestelmään, varmista sen hyvä kiinnitys.
- Varo murskautumis- tai puristumisvaaraa, jos kärkilaitteistoa ei ole asennettu.
- ÄLÄ käytä työkalua, jos kärjen kotelo on irrotettu.
- Työkalun käyttäjän kädet tulee pitää riittävän etäällä ennen jatkamista.
- Kun kannat työkalua paikasta toiseen, pidä kätesi poissa liipaisimelta, jotta vältät työkalun tahattoman käynnistymisen.
- ÄLÄ käytä työkalua väärin pudottamalla se tai käyttämällä sitä vasarana.
- Varo, etteivät kuluneet karat aiheuta vaaratilanteita.

1.4 TOISTUVIEN LIIKKEIDEN VAARAT

- Työkalun käyttämisen aikana käyttäjällä voi ilmetä epämiellyttävää tunnetta käsissä, käsivarsissa, olkapäissä, kaulassa tai muissa kehonosissa.
- Työkalun käyttämisen aikana tulee varmistaa miellyttävä asento ja hyvä jalansija. Vältä hankalia tai epätasapainoisia asentoja. Käyttäjän tulee vaihtaa asentoa pitkäaikaisten työtoimenpiteiden aikana; tämä auttaa vähentämään epämukavuutta ja väsymystä.
- Jos käyttäjällä ilmenee oireita, kuten jatkuvaa tai toistuvaa epämukavuutta, kipua, sykähtelyä, särkyä, pistelyä, tunnottomuutta, polttavaa tunnetta tai jäykkyyttä, niitä ei saa jättää huomioimatta. Käyttäjän tulee kertoa niistä työnantajalle ja asiantuntevalle terveydenalan ammattilaiselle.

1.5 LISÄVARUSTEIDEN VAARAT

- Irrota työkalu hydraulisesta ja virransyötöstä ennen kärkikokoonpanon tai lisävarusteen asentamista tai irrottamista.
- Käytä ainoastaan kooltaan ja malliltaan työkalun valmistajan suosittelemia lisävarusteita ja tarvikkeita; älä käytä määritetyistä mitoista tai malleista poikkeavia lisävarusteita ja tarvikkeita.

1.6 TYÖTILAN VAARAT

- Liukastumiset, kaatumiset ja putoamiset aiheuttavat eniten työtaturmia. Varo liukkaita alustoja työkalun käytön aikana sekä ilma- tai hydraulisen letkun aiheuttamaa kompastumisvaaraa.
- Noudata varovaisuutta tuntemattomissa ympäristöissä. Olemassa voi olla piileviä vaaroja, kuten sähköjohtoja tai muita johtoja/putkia.
- Työkalua ei saa käyttää räjähdysalttiissa ympäristöissä eikä sitä ole eristetty sähkövirralta.
- Varmista, ettei ympäristössä ole sähköjohtoja, kaasuputkia, jne., jotka voivat aiheuttaa vaaroja työkalun vahingoittaessa niitä.
- Pukeudu oikein. Älä käytä löysiä vaatteita tai koruja. Pidä hiukset, vaatteet ja kädet loitolla liikkuvista osista. Löysät vaatteet, korut tai pitkät hiukset voivat tarttua liikkuviin osiin.
- Varo, etteivät kuluneet karat aiheuta vaaratilanteita.

1.7 ÄÄNITASON VAARAT

- Suurille äänitasoille altistuminen voi aiheuttaa pysyviä ja vakavia kuulovaurioita ja muita ongelmia, kuten tinnitusta (soimista, vinkumista, kohinaa korvissa). Näiden vaarojen riskinarviointi ja asianmukaiset hallintatoimet ovat täten oleellisen tärkeitä.
- Riskiä vähentävät asianmukaiset hallintatoimet sisältävät muun muassa työstökappaleiden "soimista" ehkäisevät vaimennusmateriaalit.
- Käytä kuulonsuojaimia työnantajan ohjeiden mukaisesti noudattaen työterveyteen- ja turvallisuuteen liittyviä määräyksiä.
- Työkäluä tulee käyttää ja ylläpitää ohjekirjan suositusten mukaisesti äänitason turhan nousemisen välttämiseksi.

1.8 TÄRINÄVAARAT

- Tärinälle altistuminen voi aiheuttaa vakavia vammoja käsien ja käsivarsien hermostoon ja verenkiertoon.
- Käytä lämmintä vaatetusta kylmissä käyttöolosuhteissa ja pidä kädet lämpiminä ja kuivina.
- Jos sormissa tai käsissä ilmenee tunnottomuutta, pistelyä, kipua tai ihonvärin vaalentumista, lopeta työkalun käyttö ja kerro asiasta työnantajalle ja lääkärille.
- Kun mahdollista, tue työkalun painoa telineellä, kiristimellä tai tasapainottimella kevyemmän otteen mahdollistamiseksi.

1.9 HYDRAULISTEN SÄHKÖTYÖKALUJEN LISÄTURVALLISUUSOHJEET

- Hydraulinen syöttö ei saa ylittää 550 baaria (8000 PSI).
- Paineenalainen öljy voi aiheuttaa vakavia henkilövahinkoja.
- Älä asenna joustavia hydraulisia letkuja, joiden nimelliskäyttöpaine on alle 700 bar (10 000 PSI) virtausnopeudella 2,73 l/min (200 in 3/min).
- Älä koskaan jätä toimivaa työkalua valvomatta. Irrota hydraulinen letku ja sähköjohto pumppuyksiköstä, kun työkalua ei käytetä, ennen lisävarusteiden vaihtamista tai työkalun korjaamisen yhteydessä.
- Vapaasti liikkuvat ja iskeytyvät letkut voivat aiheuttaa vakavia henkilövahinkoja. Tarkista aina letkujen ja kiinnitysosien ehjyys sekä kireys.
- Tarkasta hydrauliletkut vaurioiden varalta ennen käyttöä. Kaikkien hydrauliliitosten on oltava puhtaita, täysin kiinni ja tiiviitä ennen käyttöä. Älä pudota painavia esineitä letkujen päälle. Terävä isku voi aiheuttaa sisäisiä vaurioita ja johtaa letkun ennen aikaiseen vahingoittumiseen.
- Kun käytetään yleismallisia kierreliittimiä (liituskappaleet), lukitustapit tulee asentaa ja turvakaapeleita tulee käyttää mahdollisten letkun ja työkalun sekä letkujen välisten liitännävikojen välttämiseksi.
- ÄLÄ nosta asetustyökalua letkusta tai sähköjohdosta. Käytä aina asetustyökalun kahvaa.
- ÄLÄ vedä tai siirrä hydraulista pumppuyksikköä letkuista. Käytä aina pumppuyksikön kahvaa tai turvakaarta.
- Pidä lika ja vieraat esineet poissa työkalun hydraulijärjestelmästä, koska ne voivat aiheuttaa työkalun toimintahäiriön.
- Käytä ainoastaan puhdasta öljyä ja täyttölaitteistoja.
- Käytä ainoastaan suositeltuja hydraulineiteitä.
- Hydraulikoneikot vaativat vapaan ilmavirtauksen jäähdtytystä varten ja ne tulee täten sijoittaa hyvin tuuletettuun tilaan, jossa ei ole vaarallisia höyryjä.
- Hydraulinesteen maksimilämpötila sisääntulossa on 110 °C (230 °F).

STANLEY Engineered Fastening pyrkii jatkuvasti kehittämään ja parantamaan tuotteitaan, pidätämme oikeuden tuotteen teknisten tietojen muutoksiin ilman erillistä ilmoitusta.

2. MÄÄRITYKSET

2.1 KÄYTTÖTARKOITUS

AV™ 30 -asennustyökalu on pääasiassa mäntä- ja sylinterikokoonpano. Kun työkalu liitetään hydraulisesti ja sähköisesti yhteensopivaan hydrauliseen virtalähteeseen ja vastaava kärkikokoonpano asennetaan, sitä käytetään kiinnikkeiden 1/2" - 5/8" Avbolt® ja 1/2" - 3/4" Avdelok® XT asentamiseen teollisissa ympäristöissä.

Asetustyökalua ja hydraulista pumppuyksikköä saa käyttää ainoastaan Stanley Engineered Fastening -niittien käyttöohjeiden mukaisesti.

Katso soveltuvat kiinnikkeet ja vastaavat kärkilaitteistot alla olevasta taulukosta.
Katso kärkikokoonpanon asianmukaiset ohjeet taulukon tietolomakkeista.

ÄLÄ käytä kosteissa olosuhteissa tai jos laitteen lähellä on syttyviä nesteitä tai kaasuja.

KIINNIKE		KÄRKIKOKOONPANO			KÄRKIKOKOONPANO TIELOMAKE
TYYPPI	KOKO	OSANUMERO	HALK. 'A'	HALK. 'B'	OSANUMERO
AVBOLT®	1/2"	73412-03600	113 mm	43 mm	07900-00905
	5/8"	73412-03400	113 mm	52 mm	07900-00905
AVDELOK® XT	1/2"	73412-03100	113 mm	43 mm	07900-00919
	5/8"	73412-03200	115 mm	48 mm	07900-00919
	3/4"	73412-03300	134 mm	56 mm	07900-00919

*Kärkikokoonpano leukojen vapautuksella.

Katso kärkikokoonpanon mitat 'A' ja 'B' sivun 206 kuvasta.

Turvaohjeita täytyy noudattaa aina.

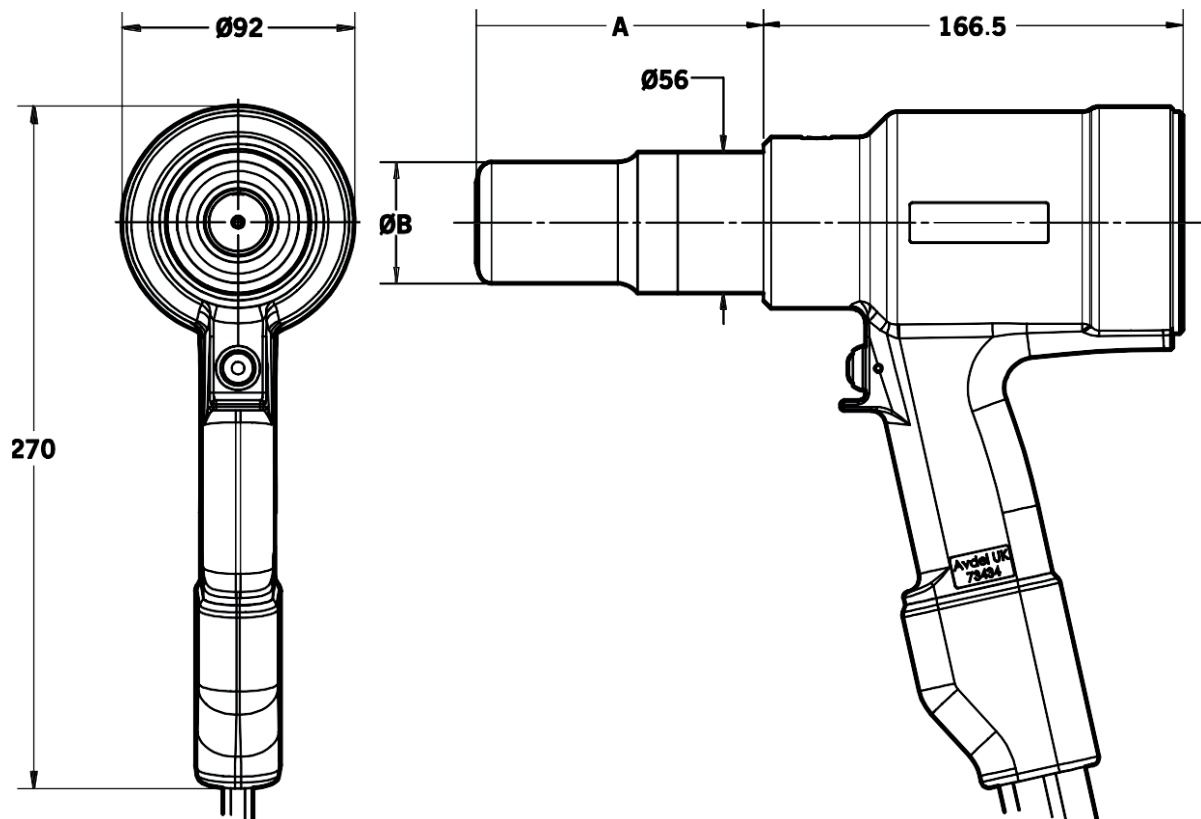
2.2 TYÖKALUN TEKNISET TIEDOT

	MÄÄRITYKSET	METRIT	TUUMAKOOT
Voima:	Veto ilmoitetussa vetopaineessa	175,0 kN	39341,0 lbf
	Irti painanta ilmoitetussa palautuspaineessa	80,0 kN	17985,0 lbf
Paine:	Veto	510 bar	7397 PSI
	Palautus	200 bar	2901 PSI
Isku:	Männän isku	41,0 mm	1,61 in
Paino:	Ilman kärkilaitteistoa	6,9 kg	15,3 lb
Hydraulinen öljy:	Enerpac®-hydrauliöljy – HF-95X		
Tuotevalikoima:	Avbolt®	12,7 – 15,9 mm	1/2 – 5/8 in
	Avdelok® XT	12,7 – 19,1 mm	1/2 – 3/4 in
Lisäominaisuudet:	Varren poisto – edessä tai takana	Etuosa	
	Tiivistekokoonpano	Reunan ja pyyhkimen tiivisteet	
	Hydrauliset laakerirenkaat	Kyllä – etuosa	
	Suojakahva / letkukiinnitin	Kyllä	
	Letkun suoja	Kyllä	
	Letkun/kaapelin kiinnittimet	Kyllä	

Äänitasot määritetty äänitason testistandardin ISO 15744 ja ISO 3744 mukaisesti.		AV30
A-painotettu äänitehotaso dB(A), L_{WA}	Melun epävarmuus: $k_{WA} = 3,0$ dB(A)	94,3 dB(A)
A-painotettu äänenpainetaso työasemassa dB(A), L_{pA}	Melun epävarmuus: $k_{pA} = 3,0$ dB(A)	83,3 dB(A)
C-painotettu äänenpainetaso huippuarvo dB(C), L_{pC} , huippu	Melun epävarmuus: $k_{pC} = 3,0$ dB(C)	128,1 dB(C)

Tärinätaaso määritetty tärinätaason testistandardin ISO 20643 ja ISO 5349 mukaisesti.		AV30
Tärinätaaso, a_{hd} :	Tärinän epävarmuus: $k = 0,48$ m/s ²	0,952 m/s ²
Ilmoitetut tärinäarvot standardin EN 12096 mukaisesti		

2.3 TYÖKALUN MITAT



Kaikki mitat on annettu millimetreinä.

Katso kärkikokoonpanon mitat 'A' ja 'B' sivun 205 taulukosta.

Työkalussa on kaksi hydraulista letkua ja 0,6 m pituinen sähköinen ohjauskaapeli. Muita hydraulisia letkuja ja jatkojohtoja on tilattavissa erikseen tarpeen mukaan. Katso saatavilla olevien letkukokoonpanojen pituudet ja vastaavat osanumerot alla olevasta taulukosta.

HYDRAULINEN LETKUKOKOONPANO	
OSANUMERO	LETKUN PITUUS
07008-00448	5 metriä
07008-00449	10 metriä
07008-00450	15 metriä

3. KÄYTTÖÖNOTTO

3.1 TOIMINTAPERIAATE

TÄRKEÄÄ - SIVUJEN 202 – 204 TURVALLISUUSOHJEET JA PUMPPUYKSİKÖN KÄYTTÖOHJEET TULEE LUKEA HUOLELLISESTI ENNEN LAITTEEN KÄYTTÖÖNOTTOA.

Kun letkut ja ohjauskaapeli on liitetty hydrauliseen Avdel® / Enerpac® -pumppuyksikköön, työkalun veto- ja palautusjaksoja hallitaan painamalla kahvassa olevaa liipaisinta ja vapauttamalla se.

Kytkintä painaessa hydraulisessa pumppuyksikössä oleva magneettiventtiili saa virtaa syöttäen paineenalaisen öljyvirtauksen asetustyökalun männän vetopuolelle. Tämä mahdollistaa myös öljyn palaamisen säiliöön asetustyökalun palautuspuolella.

Vetovaiheiden aikana mäntä-/holkkikokoonpano siirtyy työkalun takaosaa kohti niin, että O-rengasta muistuttava tyyny painaa jälkikappaletta ja leukoja eteenpäin. Jos kiinnitystappi on asennettu kärkikokoonpanoon, leukasarja kiinnittyy niittipäähän ja kiinnitysprosessi alkaa.

Avbolt® ja Avdelok® XT -niiteissä kiinnitettävä sauma kiinnitetään ensimmäiseksi, lasin siirtyä sen jälkeen edelleen eteenpäin ja holkki puristuu tapin lukitusuriin. Puristusjakson päättyessä lasin siirtyä saumaa vasten ja niittipää rikkoutuu liikkeen jatkuessa.

Liipaisin tulee vapauttaa välittömästi niitin rikkoutuessa. Kun liipaisin vapautetaan, solenoidi poistaa virran ja muuttaa paineenalaisen öljyn suuntaa.

Jos liipaisinta ei vapauteta, asetustyökalun mäntä siirtyy edelleen työkalun takaosaa kohti, kunnes se saavuttaa liikealueen raja-asennon. Vetopuolen paine kasvaa sen jälkeen, kunnes pumppu saavuttaa esiasetetun "suuren painearvon". Magneettiventtiili katkaisee tällöin virran automaattisesti muuttaen paineenalaisen öljyn suuntaa asetustyökalun palautuspuolelle.

Molemmissa tapauksissa paineenalainen öljy virtaa asetustyökalun palautuspuolelle ja vetopuolen öljy palaa säiliöön.

Asennettu kiinnike poistuu alasimesta mäntä-/holkkikokoonpanon liikkua eteenpäin.

Kun liipaisin vapautetaan tai "suuri painearvo" saavutetaan, magneettiventtiili katkaisee virran ja aktivoi esiasetuksen "palautusajastin". Tämä säätää pumppumoottorin toiminta-aikaa ennen tyhjäkäyntitilaan siirtymistä. Ajastin voidaan asettaa manuaalisesti 5-20 sekuntiin, jotta asetustyökalun mäntä palasi aina kokonaan etuasentoon (katso pumpun ohjekirjan 07900-01030 sivut 10-13).

Kun mäntä palaa kokonaan etuasentoon, paine kasvaa esiasetettuun alhaiseen painearvoon - c200bar. Pumppumoottori jatkaa käymistä, kunnes palautusajastimen aika on päättynyt. Tämän ajan kuluessa loppuun moottori pysähtyy automaattisesti ja venttiili siirtyy tyhjäkäyntitilaan. Magneettiventtiili käy sen jälkeen automaattisesti paineenalaisen öljyn vapauttamiseksi säiliöön asetustyökalun veto- ja palautuspuolelta.

Tämä pitää asennustyökalun etuasennossa. Painetta ei ole tällöin hydraulisessa järjestelmässä.

Hydraulinen pumppuyksikkö käynnistyy automaattisesti työkalun liipaisinta painaessa.

3.2 VALMISTELUTOIMET

HUOMIO - OIKEAT VETO- JA PALAUTUSPAINHEET OVAT TÄRKEITÄ ASENNUSTYÖKALUN VIRHEETTÖMÄN TOIMINNAN KANNALTA. ILMAN OIKEITA PAINeita VOI TAPAHTUA HENKILÖVAHINGOJA TAI LAITTEET VOIVAT VAHINGOITTUA. HYDRAULISEN PUMPPUYKSIKÖN VETO- JA PALAUTUSPAINHEET EIVÄT SAA YLITTÄÄ ASETUSTYÖKALUN MÄÄRITYKSIS- SÄ ANNETTUJA PAINEARVOJA.

TÄRKEÄÄ – ENNEN ASETUSTYÖKALUN JA HYDRAULISEN LETKUSARJAN KÄYTTÖÖNOTTAMISTA:

VARMISTA, ETTÄ PUMPUN PAINEEALENNUSVENTTIILIT ON ASETETTU PUMPUN OHJEIDEN MUKAISESTI NOUDAT- TAEN ASETUSTYÖKALUN JA LETKUJEN ANNETTUJA MAKSIMIPAINEARVOJA.

VARMISTA, ETTÄ LETKUSARJA ALUSTETAAN HYDRAULISELLA NESTEELLÄ PUMPUN OHJEKIRJAN 07900-01030 OHJEI- DEN MUKAISESTI.

- Varmista, että hydraulisen pumppuyksikön virransyöttö on katkaistu.
- Liitä hydraulisen letkun pikaliittimet suoraan pumppuyksikköön ennen sähköisen ohjauskaapelin liittämistä. Letkut ja ohjauskaapeli tulee liittää tässä järjestyksessä ja irrottaa päinvastaisessa järjestyksessä.
- Kytke hydraulisen pumppuyksikön virransyöttö päälle. Odota 5 sekuntia ennen liipaisimen painamista varmistaaksesi, että pumppuyksikön käynnistysprosessi päättyy. Kun kaikki on valmista, pumppuyksikön LCD-näytössä näkyy 'AVDEL'.
- Käynnistysjakson aikana pumpun ohjausjärjestelmä tunnistaa liipaisimen toiminnot mahdollisiksi toimintahäiriöiksi estäen moottorin käynnistymisen. LCD-näytössä näkyy tällöin 'PAINIKEVIRHE'. Nollaa virransyötön katkaisu 10 sekunniksi.
- Varmista, että asetustyökalu on asetettu pumppusäiliöiden alapuolelle. Paina ja vapauta asetustyökalun liipaisin muutamia kertoja lähes työkalun liikealueen ääriasentoon hydraulisen nesteen kierron varmistamiseksi ja ilman poistamiseksi työkalusta.
- Tarkkaile työkalun toimintaa. Tarkista nestevuodot ja varmista, että mäntä on kokonaan edessä tyhjäkäyntitilassa. Asetustyökalu alustetaan.
- Katkaise pumppuyksikön virta ja irrota asetustyökalu pumppuyksiköstä noudattaen yllä annettuja ohjeita päinvastaisessa järjestyksessä.
- Liitä asetustyökalu nyt alustettuun hydrauliseen letkusarjaan ja sähköiseen ohjauskaapeliin. Liitä tämän jälkeen hydraulisen letkusarjan liittimet ja sähköinen ohjauskaapeli pumppuyksikköön.
- Liitä karkikokoonpano työkaluun noudattamalla vastaavan karkikokoonpanon tietolomakkeen ohjeita.
- Kytke hydraulisen pumppuyksikön virransyöttö päälle yllä annettujen ohjeiden mukaisesti.
- Paina ja vapauta asetustyökalun liipaisin muutamia kertoja lähes työkalun liikealueen ääriasentoon hydraulisen nesteen kierron varmistamiseksi.
- Asetustyökalu on nyt valmis käyttöön.

4. KÄYTTÖOHJEET

4.1 AVBOLT®-KIINNITTIMEN ASENTAMINEN

- Tarkista työkappale ja poista liialliset raot. (Raot ovat sauman osien välisiä tiloja. Rako on liian suuri, jos holkin läpi ei kiinnity riittävästi niittipäätä kärkikokoonpanon leukojen kiinnittymistä varten).
- Aseta Avbolt®-kiinnike reikään.
- Paina kärkikokoonpano niittiin, kunnes kärkikokoonpanon alasin pysähtyy holkkia vasten. Työkalua ja kärkikokoonpanoa tulee pitää oikeissa kulmissa (90°) työkappaleeseen nähden.
- Käynnistä asennusprosessi painamalla työkalun liipaisinta.
- Vapauta, kun kärkikokoonpanon alasin liike eteenpäin pysähtyy ja niittipää rikkoutuu. Työkalu siirtyy palautusliikkeeseen ja painaa asennetun kiinnikkeen irti. Paluuiskun lopussa leuat vapauttavat osittain käytetyn niittipään, joka voidaan poistaa kallistamalla työkalun nokka alas.
- Kun asennettu kiinnike on poistettu, työkalu ja kärkikokoonpano ovat valmiita seuraavaa asennusta varten.

4.2 AVDELOK® XT -KIINNIKKEEN ASENTAMINEN

- Tarkista työkappale ja poista liialliset raot. (Raot ovat sauman osien välisiä tiloja. Rako on liian suuri, jos holkin läpi ei kiinnity riittävästi niittipäätä kärkikokoonpanon leukojen kiinnittymistä varten).
- Aseta Avdelok® XT -kiinnike reikään.
- Liu'uta Avdelok® XT -holkki niitin päälle. (Holkin kaltevan pään tulee osoittaa kärkikokoonpanoa ja työkalua kohti).
- Paina kärkikokoonpano niittiin, kunnes kärkikokoonpanon alasin pysähtyy holkkia vasten. Työkalua ja kärkikokoonpanoa tulee pitää oikeissa kulmissa (90°) työkappaleeseen nähden.
- Käynnistä asennusprosessi painamalla työkalun liipaisinta.
- Vapauta, kun kärkikokoonpanon alasin liike eteenpäin pysähtyy ja niittipää rikkoutuu. Työkalu siirtyy palautusliikkeeseen ja painaa asennetun kiinnikkeen irti. Paluuiskun lopussa leuat vapauttavat osittain käytetyn niittipään, joka voidaan poistaa kallistamalla työkalun nokka alas.
- Kun asennettu kiinnike on poistettu, työkalu ja kärkikokoonpano ovat valmiita seuraavaa asennusta varten.

HUOMIO - ÄLÄ YRITÄ RIKKOA NIITTIPÄÄTÄ ASENTAMATTA HOLKKIA, MUUTOIN AVDELOK®- TAI AVBOLT®-NIITTIPÄÄN IRTONAINEN OSA POISTUU KÄRJESTÄ SUURELLA NOPEUDELLA JA VOIMALLA.

5. TYÖKALUN HUOLTO

TÄRKEÄÄ - LUE TURVALLISUUSOHJEET SIVUILTA 202 - 204. TYÖNANTAJAN VASTUULLA ON VARMISTAA, ETTÄ HUOLTOHENKILÖSTÖ SAA TYÖKALUN HUOLTO-OHJEET. KÄYTTÄJÄ EI SAA OSALLISTUA TYÖKALUN HUOLTOON TAI KORJAAMISEEN, ELLEI KÄYTTÄJÄ OLE SAANUT ASIANMUKAISTA KOULUTUSTA. TYÖKALU TULEE TARKISTAA SÄÄNNÖLLISESTI VAURIOIDEN JA TOIMINTAHÄIRIÖIDEN VARALTA.

5.1 PÄIVITTÄINEN HUOLTO

- Tarkista asetustyökalu, letkut ja pikaliittimet öljyvuotojen varalta.
- Kuluneet tai vaurioituneet letkut ja liittännät tulee vaihtaa.
- Tarkista, että työkalun isku täyttää määritykset.
- Tarkista, että varren ohjain on asennettu.
- Tarkista, että pumpun vedon/liikkeen paineenalennusventtiili toimii virheettömästi.
- Tarkista alasimen kulumisen asennetun holkin uramerkeistä. Tämä voidaan vahvistaa myös kiinnikekatalogin asennustietojen avulla. Liiallinen kulumisen voi aiheuttaa alasimen rikkoutumisen.

5.2 VIIKOITTAINEN HUOLTO

- Pura puhdista kärkikokoonpano, erityisesti kärkikokoonpanon tietolomakkeessa kuvatut leuat.
- Tarkista asetustyökalu, letkut ja pikaliittimet öljyvuotojen varalta

HUOMIO – Työkalun metallittomien osien puhdistamiseen ei saa käyttää liuottimia tai muita vahvoja kemikaaleja. Nämä kemikaalit voivat heikentää näiden osien valmistuksessa käytettyjä materiaaleja.

5.3 VUOSITTAINEN HUOLTO / 150 000 KÄYTTÖKERRAN VÄLEIN

- Työkalu tulee purkaa kokonaan ja kuluneet, vaurioituneet tai suositellut osat tulee vaihtaa uusiin 150 000 käyttökerran jälkeen. Kaikki O-renkaat, varmistusrenkaat ja tiivisteet tulee vaihtaa ja voidella MolyKote® 111 -rasvalla ennen asentamista.

5.4 HUOLTOSARJA

Seuraava huoltosarja on saatavilla täydellistä huoltoa varten:

HUOLTOSARJA: 73432-99990			
OSANUMERO	KUVAUS	OSANUMERO	KUVAUS
07005-10118	Pikaliitin - ulkokierteet	07900-00972	AV30 Etutiiviste ohjaustanko
07005-10120	Pikaliitin - sisäkierteet	07900-00963	AV30 Mäntäohjaimen laippa
07900-00958	Päätysuojan työkalun runko	07992-00020	Rasva – MolyLithium EP3753
07900-00969	AV30 Männän tiivisteiden laippa	07900-00755	Rasva – Molykote® 111
07900-00970	AV30 Männän tiivisteiden kuristusholkki	07900-00756	Loctite® 243 -kierrelukite
07900-00971	AV30 Männän korkki - edessä		

5.5 HUOLTOVÄLINEET

Seuraavat tavalliset työkalut ovat myös tarpeen:

- Kuusiokoloavain: 2,0 / 3,0 mm
- Avopäinen ruuviavain: 12 / 14 / 18 / 24 / 45 mm A/F
- PTFE-teippi: 10 mm
- Ruuvipenkki leukasuojilla – 150 mm

5.6 HYDRAULINEN ÖLJY

HUOMIO – Käytä ainoastaan hydraulista Enerpac® HF -öljyä – muiden öljyjen käyttö voi aiheuttaa toimintahäiriöitä asetustyökaluun sekä pumppuun ja mitätöi asetustyökalun takuun.

Hydraulinen öljy on tilattavissa seuraavilla osanumeroilla.

HYDRAULIÖLJY			
OSANUMERO	07992-00081	07992-00082	07992-00083
Enerpac®-osnumero	HF-95X	HF-95Y	HF-95T
Määrä	1 litra	5 litraa	20 litraa
Viskositeetti	32 mm ² /s	32 mm ² /s	32 mm ² /s

5.7 PURKUOHJEET

TÄRKEÄÄ – VARMISTA, ETTÄ HYDRAULISEN PUMPPUYKSIKÖN VIRRANSYÖTTÖ ON KATKAISTU ENNEN KÄRKIKOKOONPANON IRROTTAMISTA TAI ASETUSTYÖKALUN PURKAMISTA.

Ennen purkamista:

- Irrota pikaliittimet **10** ja **11** sekä sähköinen ohjauskaapeli **14** asetustyökalun ja hydraulisen letkukokoonpanon välistä.
- Irrota kärkikokoonpano asetustyökälusta noudattamalla vastaavan kärkikokoonpanon tietolomakkeen ohjeita.
- Työprosessista syntyvät mahdollisesti vaarallisten aineiden kertymät tulee poistaa koneikosta ennen huoltoa.

Suosittellemme purkamaan työkalun sivujen 211 - 213 ohjeita noudattamalla työkalun täydellistä huoltoa varten. Purkamisen jälkeen suosittellemme vaihtamaan kaikki tiivisteet.

Päämäntäkokoonpano:

- Irrota tappi **41** holkin sovittimesta **40** pienellä ruuvitaltalla.
- Irrota ja poista holkin sovitin **40** männästä **1**.
- Kiinnitä työkalun kahva pehmeillä leuoilla varustettuun ruuvipenkkiin niin, että työkalun kärki osoittaa alaspäin.
- Liitä varaosa ****Pikaliitin - ulkokierteet** osaan **"Pikaliitin - sisäkierteet"** **11** hydrauliseen letkuun - palautus **18**. Tämä vapauttaa paineen männän **1** palautuspuolelta ja helpottaa päätysuojan **17** irrottamista.
- Aseta päätysuojakokoonpanon runko päätysuojaan **17**.
- Irrota ja poista päätysuoja **17** rungosta **2** 24 mm A/F -ruuviavaimella.
- Irrota O-rengas **21** päätysuojasta **17** pienellä ruuvitaltalla ja hävitä se.
- Poista O-rengas **30** ja kierteinen varmistusrengas **36** päätysuojan **17**, ulkoisesta urasta pienellä ruuvitaltalla tai vastaavalla työkalulla ja hävitä se. Varo tiivisteiden irrottamisen yhteydessä, ettei ruuvitaltta vahingoita päätysuojan pintaa.
- Poista asetustyökalu ruuvipenkistä ja tyhjenä hydraulinen öljy työkalun takaosasta. Poista varaosa ***Pikaliitin - ulkokierteet** osasta **Pikaliitin - sisäkierteet** **11**.
- Liitä varaosa ****Pikaliitin - sisäkierteet** osaan **"Pikaliitin - ulkokierteet"** **10** hydraulisessa letkussa - veto **19**. Tämä vapauttaa paineen männän **1** vetopuolelta ja helpottaa männän irrottamista **1**.
- Ruuvaa ****Männän korkki - etuosa** männän **1** etuosaan.
- Aseta runko **2** ruuvipenkkiin kärkiosa ylöspäin. Napauta sitten mäntää **1** rungon takaosaa kohti pehmeällä nuijalla ja takaosasta ulos varoen rungon aukon vaurioitumista.
- Huomaa, että männän **1** poistamisen yhteydessä männän vetopuolen öljyä vuotaa rungon **2** etu- ja takaosasta.
- Kun mäntä **1** poistetaan, etutiiviste **15** voidaan pitää männän akselissa. Irrota tässä tapauksessa ****Männän korkki - etuosa** ja vedä etutiiviste irti männästä.
- Männän tiiviste **26** on 2-osainen tiiviste, joka sisältää ulkoisen tiivisterenkaan sekä sisäisen O-renkaan. Leikkaa ulkoinen tiivisterengas pienellä veitsellä ja irrota se männän **1** ulkoisesta urasta. Poista sitten sisempi O-rengas männästä pienellä ruuvitaltalla ja hävitä. Varo tiivisteiden irrottamisen yhteydessä, ettei männän pinta vaurioidu.
- Jos etutiiviste **15** pysyy edelleen rungossa **2**. Aseta runko ruuvipenkille kärki ylöspäin ja paina sitten etutiiviste etuosasta, kunnes se vapautuu rungon aukosta. Etutiiviste voidaan tämän jälkeen irrottaa rungon takaosasta. Varo rungon aukon vaurioitumista tämän toimenpiteen aikana.
- Poista O-rengas **23** ja kierteinen varmistusrengas **34** etutiivisteeseen **15** ulkoisesta urasta pienellä ruuvitaltalla ja hävitä ne. Varo tiivisteiden irrottamisen yhteydessä, ettei ruuvitaltta vahingoita etutiivistettä.

Kaikki **lihavoidut** numerot viittaavat laitekaavioon ja osaluetteloon, jotka on annettu sivuilla 214, 215 ja 216.

* Huoltosarja sivulla 210.

- Poista tangon tiiviste **25** ja pyyhkimen tiiviste **22** etutiivisteeseen **15** sisäisistä urista ja hävitä ne. Varo tiivisteiden irrottamisen yhteydessä, ettei ruuvitaltta vahingoita etutiivistettä.
- Poista etummainen laakerirengas **24** ja tarkista osa kulumisen ja vaurioiden varalta. Hävitä tarvittaessa.
- Irrota O-rengas **21** rungosta **2** pienellä ruuvitaltalla ja hävitä se.
- Poista varaosa ”*Pikaliitin - sisäkierteet” osasta ”Pikaliitin - ulkokierteet” 10 hydraulisessa letkussa - veto **19**.
- Älä irrota säätöruuvia **42** rungosta **2**.

Asenna osat noudattamalla purkuohjeita päinvastaisessa järjestyksessä ja huomioimalla seuraavat:

- Puhdista kaikki osat ennen asentamista.
- Voit helpottaa tiivisteiden asentamista levittämällä kaikkiin tiivisteisiin, tiivisteuriin, varmistusrenkaisiin sekä asennustyökaluihin ohuen kerroksen Molykote® 111 -rasvaa.
- Liu’uta O-rengas **23** etutiivisteeseen **15** päälle ulkoiseen uraan. Aseta kierteinen varmistusrenkas **34** samaan uraan asennetun O-renkaan etuosassa. Katso O-renkaan ja kierteisen varmistusrenkaan oikeat suunnat laitekaaviosta ja osaluettelosta.
- Paina etummainen laakerirengas **24** etutiivisteeseen **15** sisäuraan ja asenna sitten tangon tiiviste **25** etummaisen laakerirenkaan taakse. Asenna pyyhkimen tiiviste **22** etutiivisteeseen etu-uraan. Varmista tangon tiivisteeseen ja pyyhkimen tiivisteeseen oikea suunta laitekaavion avulla.
- Voitele sen rungon **2** aukon pinta ja etureuna, johon etutiiviste **15** asennetaan. Käytä Molykote® 111 -rasvaa.
- Voitele *etutiivisteeseen ohjaustangon tappi ja aseta sitten etutiiviste **15** kokonaan tapin päälle tangon tiivistepää **25** edellä. Aseta *Etutiivisteeseen ohjaustanko rungon **2** takaosaan ja paina etutiiviste kokonaan rungon aukkoon. Kohtuullista voimaa tulee käyttää asentaessa etutiivistettä runkoon, joten puristimen tai ruuvipenkin käyttö voi olla tarpeen. Poista *etutiivisteeseen ohjaustanko varmistamalla samalla, että etutiiviste pysyy paikoillaan.
- Voitele tiivisteeseen ura ja männän **1** suurin ulkoinen halkaisija Molykote® 111 -rasvalla. Liu’uta männän tiiviste **26** männän suurimman halkaisijan etuosan päälle tiivisteeseen uraan.
- Ruuvaa *Männän korkki – etuosa mäntään **1**. Aseta *Männän tiivisteeseen laippa männän akselin päälle ja aseta sen jälkeen ulkoinen tiivisterengas männän tiivisteestä **26** *Männän tiivisteeseen laipan päälle niin, että se on kapenevassa halkaisijassa. Voitele *Männän tiivisteeseen laipan pinta Molykote® 111 -rasvalla.
- Aseta *Männän tiivisteeseen kuristusholkki männän **1** akselin ja *Männän tiivisteeseen laipan päälle niin, että *Männän tiivisteeseen kuristusholkin avoin pää on männän tiivisteeseen **26** ulkoisessa tiivisterenkaassa. Paina ulkoinen tiivisterengas *Männän tiivisteeseen laipan päälle ja männän tiivisteeseen uraan käyttäen *Männän tiivisteeseen kuristusholkkia. Kohtuullista voimaa tulee käyttää laajentaessa ja asentaessa ulkoista tiivisterengasta mäntään, joten puristimen tai ruuvipenkin käyttö on tarpeen.
- *Männän tiivisteeseen kuristusholkki ja *Männän tiivisteeseen laippa männästä **1**. Voitele ”*Männän korkki - etuosa”, männän akseli ja männän tiiviste **26** Molykote® 111 -rasvalla.
- Ruuvaa *männän ohjaimen laippa kokonaan rungon **2** takaosaan. Voitele sekä rungon että *männän ohjaimen laipan reiät Molykote® 111 -rasvalla.
- Liitä varaosa ”*Pikaliitin - sisäkierteet” osaan ”Pikaliitin - ulkokierteet” **10** hydraulisessa letkussa - veto **19**. Tämä mahdollistaa ilman vapautumisen männän **1** vetopuolelta mäntää asentaessa.
- Aseta koottu mäntä **1** rungon **2** takaosaan asennetun etutiivisteeseen **15** läpi. Paina mäntä täysin etuasentoon, kunnes se pysähtyy etutiivistettä vasten. Hydraulinen öljy poistuu hydraulisesta letkusta - veto **19**. Kohtuullista voimaa tulee käyttää asentaessa mäntää runkoon, joten puristimen tai ruuvipenkin käyttö voi olla tarpeen.
- Poista varaosa ”*Pikaliitin - sisäkierteet” osasta ”Pikaliitin - ulkokierteet” **10** hydraulisessa letkussa - veto **19**. Poista *männän ohjaimen laippa rungon **2** takaosasta.
- Liu’uta O-rengas **30** päätysuojan **17** päälle ja ulkoiseen uraan. Aseta kierteinen varmistusrenkas **36** samaan uraan asennetun O-renkaan takana. Katso O-renkaan ja kierteisen varmistusrenkaan oikeat suunnat laitekaaviosta ja osaluettelosta.
- Paina takimmainen laakerirengas **29** takatiivisteeseen **16** sisäuraan ja asenna sitten tangon tiiviste **28** takimmaisen laakerirenkaan taakse. Asenna pyyhkimen tiiviste **31** takatiivisteeseen takauraan. Varmista tangon tiivisteeseen ja pyyhkimen tiivisteeseen oikea suunta laitekaavion avulla.
- Kiinnitä työkalun kahva pehmeillä leuoilla varustettuun ruuvipenkkiin niin, että työkalun kärki osoittaa alaspäin.
- Voitele sen rungon **2** aukon pinta ja etureuna, johon takatiiviste **16** asennetaan. Käytä Molykote® 111 -rasvaa.
- Täytä rungon **2** takaosa hydraulisella Enerpac® HF -öljyllä. Öljytason tulee olla takasyöttöaukon yläpuolella rungossa.

Kaikki **lihavoidut** numerot viittaavat laitekaavioon ja osaluetteloon, jotka on annettu sivuilla 214, 215 ja 216.

* Huoltosarja sivulla 210.

- Liitä osa ”*Pikaliitin - ulkokierteet” osaan ”Pikaliitin - sisäkierteet” **11** hydrauliseen letkuun - palautus **18**. Tämä mahdollistaa ilman vapautumisen männän **1** palautuspuolelta päätysuojaa **17** asentaessa.
- Voitele rungon **2** sisäkierteet sekä päätysuojan **17** ulkokierteet MolyLithium-rasvalla.
- Asenna päätysuoja **17** rungon **2** takaosaan varmistaen, etteivät O-rengas **30** ja rungon kierteiden kierteinen varmistusrengas **36** vaurioitu. Ruuvaa päätysuoja **17** kokonaan rungon takaosaan käyttäen *pätysuojakokoonpanoa. Pieni määrä öljyä poistuu tällöin hydraulisesta letkusta - palautus **18**.
- Poista osa ”*Pikaliitin - ulkokierteet” osasta ”Pikaliitin - sisäkierteet” **11** hydraulisessa letkussa - palautus **18**.
- Ruuvaa holkin sovitin **40** mäntään **1**, kunnes etupuoli on tasaisesti männän päähän. Kohdista holkin sovittimen reikä männän päässä olevaan syvennykseen ja asenna sitten lukitustappi **41**.
- Alusta asetustyökalu sivulla 208 olevan osion Valmistelutoimet mukaisesti.

Letkukokoonpano:

- Irrota kaksi ruuvia **9** letkunkiristimestä **13** käyttäen 3,0 mm kuusiokoloavainta. Irrota letkunkiristin ja kiinnitysosa **20** suojalaipasta **37** ja hydraulisista letkuista - palautus **18** ja veto **19**.
- Poista kahvan kiinnitin **8** kahvan rungosta **2** käyttämällä pientä ruuvitalttaa. Vedä kahvan kiinnitin suojalaipan **37**, hydraulisten letkujen - palautus **18** ja veto **19** päälle ja poista.
- Leikkaa nippuside **35** ja liu’uta suojalaippa **37** takaisin päästäksesi kiinnitysosiin hydraulisissa letkuissa **18** ja **19**. Hydrauliset letkut voidaan irrottaa rungosta **2** käyttämällä 12 mm ja 14 mm ruuviavaimia.
- Pikaliittimet - ulkokierteet **10** ja sisäkierteet **11** voidaan irrottaa hydraulisista letkuista **18** ja **19** käyttämällä 18 mm:n ja 24 mm:n ruuviavaimia.
- Irrota liipaisukytkin **7** löysämällä ensin kaapelitiivistettä **38** niin, että ohjauskaapeli **14** liikkuu vapaasti rungossa **2**. Irrota sitten M4-säätöruuvi **12** 2,0 mm kuusiokoloavaimella.
- Paina ohjauskaapeli **14** runkoon **2** ja vedä samanaikaisesti liipaisukytkin **7** rungosta ulos niin, että liipaisukytkimen liitäntöjen juotosliitokset tulevat näkyviin. Poista juotokset liitäntöistä liipaisukytkimen ja liipaisinosan **39** irrottamiseksi. Liipaisinosa on liitetty liipaisukytkimeen eikä sitä voi irrottaa.
- Ohjauskaapeli **14** voidaan nyt vetää rungosta **2** ja irrottaa suojalaipasta **37**.

Asenna osat noudattamalla purkuohjeita päinvastaisessa järjestyksessä ja huomioimalla seuraavat:

- Puhdista kaikki pikaliittimien - ulkokierteet **10** ja sisäkierteet **11** sekä hydrauliset letkut - palautus **18** ja veto **19** ennen asentamista. Levitä sen jälkeen 2-3 kerrosta 10 mm PTFE-teippiä molempien hydraulisten letkujen ulkokierteisiin.
- Levitä liipaisukytkimen **7** vaihtamisen yhteydessä *Loctite® 243 -voiteluainetta liipaisukytkimen ulkokierteisiin ennen liipaisinosan **39** asentamista.
- *Loctite® 243 -voiteluainetta M4-säätöruuviin **12** ennen asentamista.
- Kun osat on asennettu, alusta työkalu sivun 208 ohjeiden mukaisesti.

5.8 YMPÄRISTÖNSUOJELU

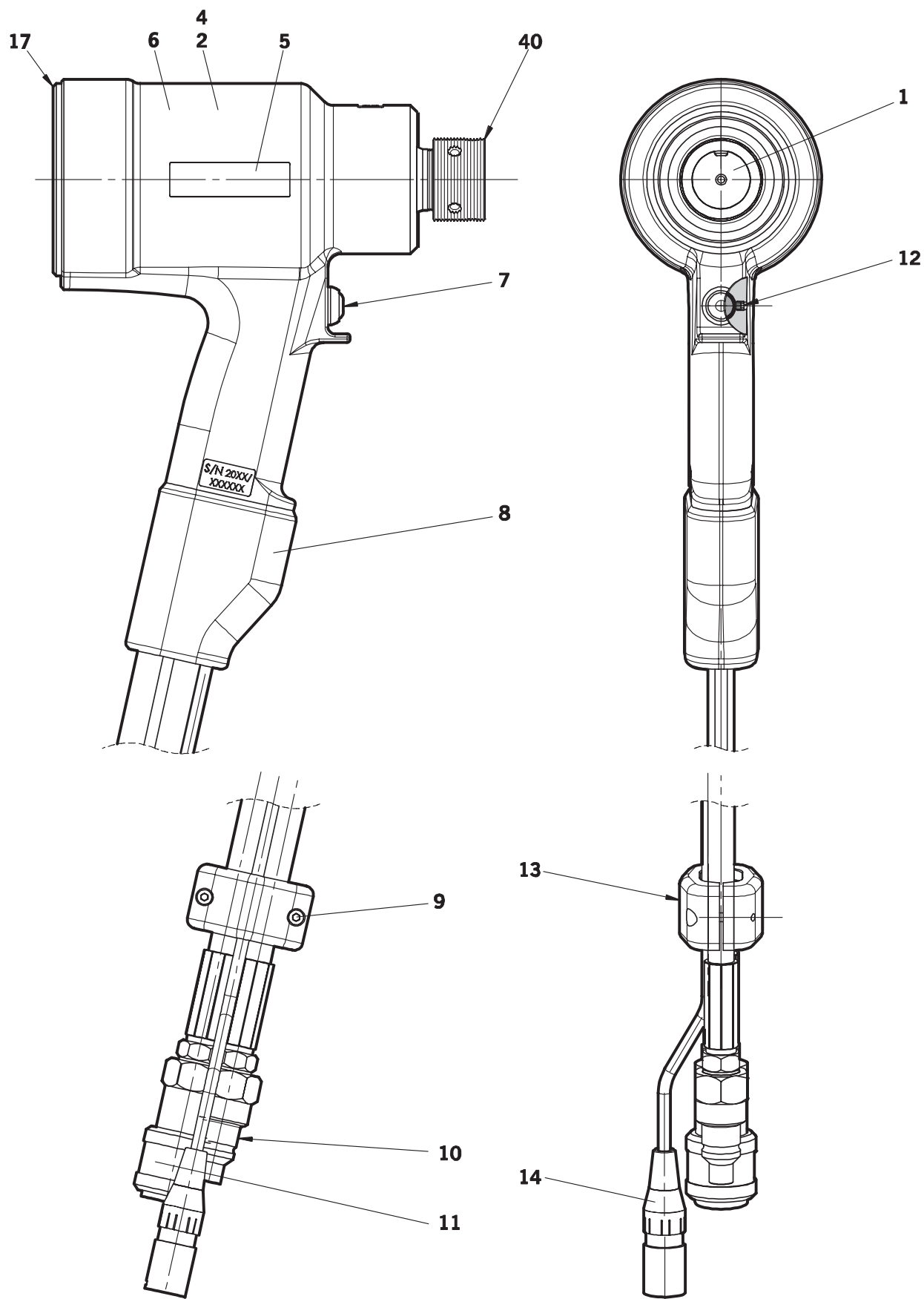
- Varmista, että noudatat soveltuvia jätemääräyksiä. Kaikki jätetuotteet tulee hävittää asianmukaisesti keräyspisteisiin, jotta ne eivät vaarantaisi henkilöstöä tai ympäristöä.

Kaikki **lihavoidut** numerot viittaavat laitekaavioon ja osaluetteloon, jotka on annettu sivuilla 214, 215 ja 216.

* Huoltosarja sivulla 210.

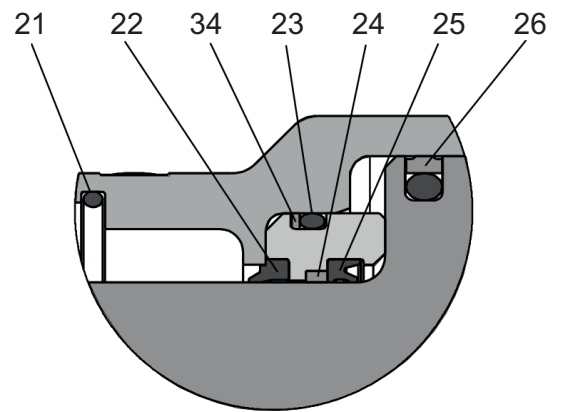
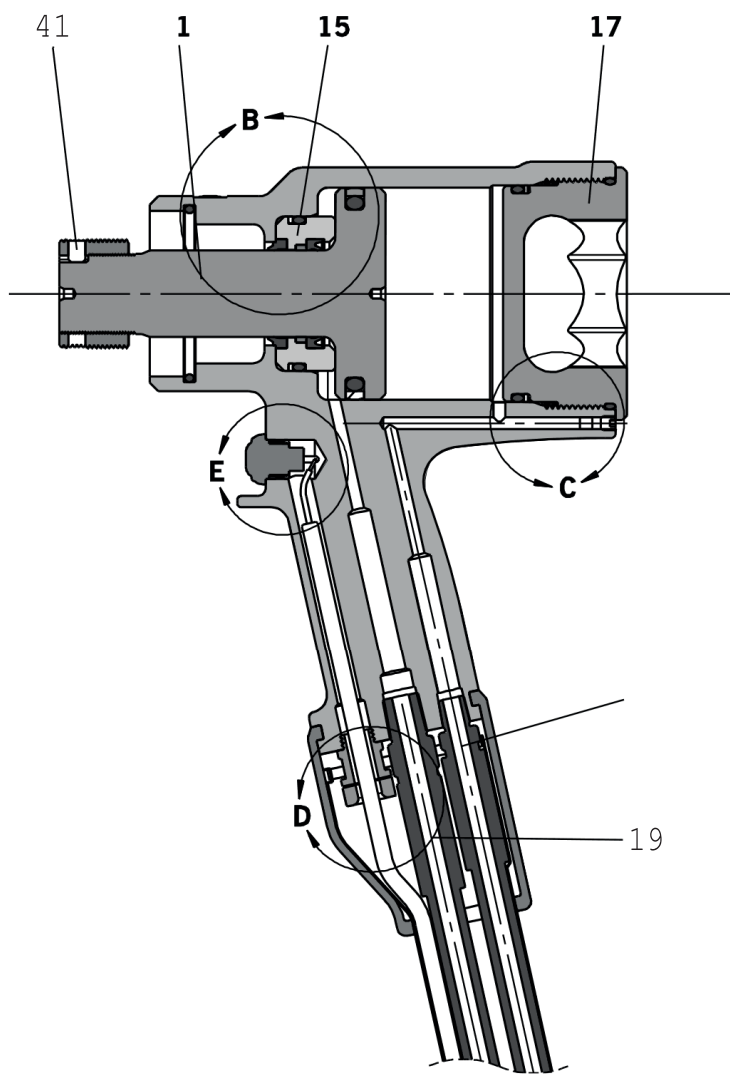
6. LAITEKAAVIO JA OSALUETTELO

6.1 LAITEKAAVIO

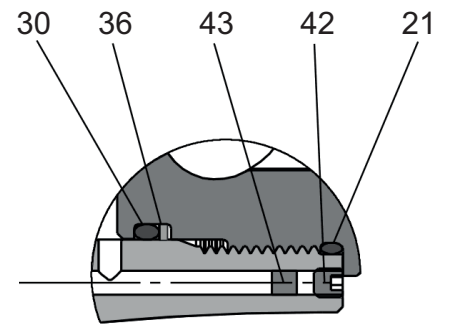


ITEM 37 PROTECTIVE SLEEVE
REMOVED FOR CLARITY

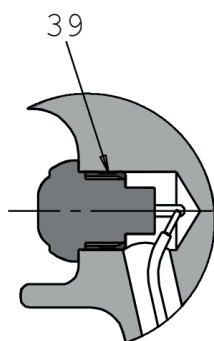
ITEM 37 PROTECTIVE SLEEVE
REMOVED FOR CLARITY



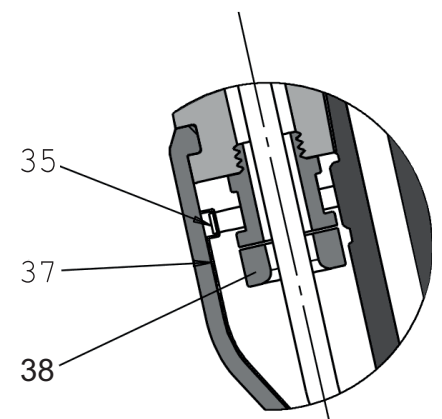
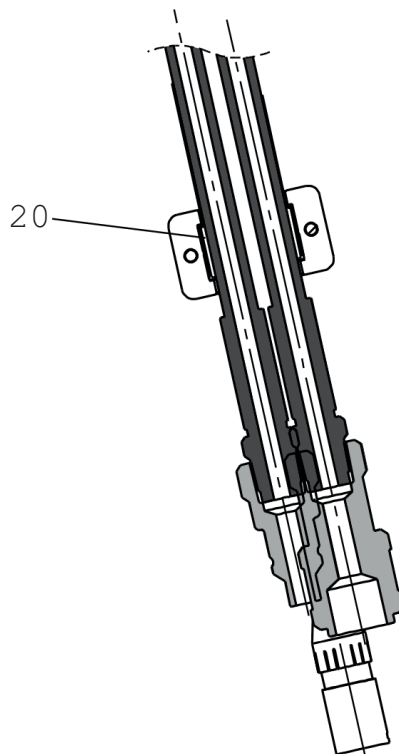
DETAIL B



DETAIL C



DETAIL E



DETAIL D

6.2 OSALUETTELO

73432-02000 Osaluettelo			
OSA	OSANUMERO	KUVAUS	MÄÄRÄ
1	73434-02003	MÄNTÄ	1
2	73434-02001	RUNKO	1
3			
4	73425-02016	TURVALLISUUSMERKKI	1
5	73434-02026	AV30-MERKKI	2
6	07007-01504	CE- ja UKCA-MERKKI	1
7	07007-02103	LIIPASUKYTKIN	1
8	73430-02020	KAHVAN KIINNITIN	1
9	07001-00686	M4 X 16 SKT -SUOJAN HD-RUUVI	2
10	07005-10118	PIKALIITIN - ULKOKIERTEET	1
11	07005-10120	PIKALIITIN - SISÄKIERTEET	1
12	07001-00479	M4 X 4 SKT -SÄÄTÖRUUVI	1
13	73430-02023	LETKUNKIRISTIN	1
14	07007-02105	OHJAUSKAAPELI	1
15	73434-02004	ETUTIIVISTE	1
16			
17	73434-02005	PÄÄTYSUOJA	1
18	07005-10119	HYDRAULINEN LETKU - PALAUTUS	1
19	07005-10117	HYDRAULINEN LETKU - VETO	1
20	73430-02024	KIINNITYSOSA	1
21	07003-00463	O-RENGAS	2
22	07003-00452	PYYHKIMEN TIIVISTE	1
23	07003-00461	O-RENGAS	1
24	73434-02009	ETUMMAINEN LAAKERIRENGAS	1
25	07003-00451	TANGON TIIVISTE	1
26	07003-00453	MÄNNÄN TIIVISTE	1
27			
28			
29			
30	07003-00464	O-RENGAS	1
31			
32			
33			
34	07003-00494	KIERTEINEN VARMISTUSRENGAS	1
35	07007-02032	NIPPUSIDE	1
36	07003-00496	KIERTEINEN VARMISTUSRENGAS	1
37	07005-10121	SUOJALAIPPA	0,6 m
38	07007-02104	KAAPELITIIVISTE	1
39	73430-02008	LIIPASINOSA	1
40	73434-02012	HOLKIN SOVITIN	1
41	73434-02013	LUKITUSTAPPI	1
42	07001-00481	M5 X 5 SKT -SÄÄTÖRUUVI	1
-	07900-01022	AV30-TYÖKALUN OHJEKIRJA	1

7. TURVATIEDOT

7.1 ENERPACE® HF HYDRAULIÖLJY - TURVALLISUUSTIEDOT

ENSIAPU

IHO:

Pieni vaara iholle lyhyessä tai satunnaisessa kosketuksessa, mutta pitkäaikainen tai altistuminen voi johtaa ihottumaan. Pese iho huolellisesti saippuavedellä mahdollisimman pian. Riisu saastuneet vaatteet ja pese niiden alla olevat altistuneet ihoalueet.

NIELEMINEN:

Pieni vaara vahingossa nieltynä pieninä annoksina, suuret määrät voivat kuitenkin aiheuttaa pahoinvointia ja ripulia. Jos ainetta pääsee suuhun, huuhtelee huolellisesti vedellä. Tahallista tekoa lukuun ottamatta suurien määrien nieleminen on epätodennäköistä. Jos näin tapahtuu, älä oksennuta; hakeudu lääkärin hoitoon. Vie potilas lähimpään terveyskeskukseen.

SILMÄT:

Aiheuttaa useimmiten korkeintaan ohimenevää pistelyä tai punoitusta, jos tuotetta pääsee silmiin vahingossa. Pese silmät huolellisesti runsaalla vedellä varmistaen, että silmäluomet ovat auki. Hakeudu lääkäriin, jos kipu tai punoitus leviää tai jatkuu.

LÄÄKÄRIN HOITO:

Hoidon tulee yleensä olla oireenmukaista ja sen on pyrittävä lievittämään mahdollisia vaikutuksia.

Huomaa: Käyttö korkealla paineella:

Injektiot ihon läpi, kun tuotetta kohdistuu ihoon korkealla paineella, muodostavat vakavan lääkinällisen hätätilanteen. Vammat eivät välttämättä näytä aluksi vakavilta, mutta muutamassa tunnissa kudokset turpoaa, muuttuu väriltään ja on erittäin kivulias laajan ihonalaisen nekroosin myötä.

Kirurginen tutkimus on tehtävä viipymättä. Haavan ja sen alla olevan kudoksen perusteellinen ja laaja puhdistus on tarpeen kudoshäviön minimoimiseksi ja pysyvien vaurioiden estämiseksi tai rajoittamiseksi. Huomaa, että korkean paineen myötä tuotetta voi päästä huomattaviin syvyyksiin eri kudostasoihin.

HÄVITTÄMINEN

Poista kaikki roiskeet inertillä imukykyisellä materiaalilla. Tuuleta vuotoalue. Laita saastuneet materiaalit kertakäyttöastiaan ja hävitä paikallisten määräysten mukaisesti.

TULIPALO

LEIMAHDUSPISTE: 200 °C.

Sammuuta joko kuivalla kemikaalilla, vaahdolla tai hiilidioksidilla. Älä mene suljettuun tilaan ilman itsenäistä hengityslaitetta.

KÄSITTELY

Käytä suojavoidetta tai öljynkestäviä suojakäsineitä.

SÄILYTYS

Säilytettävä peitettynä ja syttyvää materiaalia koskevien paikallisten määräysten mukaisesti.

7.2 MOLY-LITIUMRASVA EP 3753 - TURVALLISUUSTIEDOT

Rasva voidaan tilata yksittäisenä tuotteena, osanumerot löytyvät sivun 210 huoltosarjasta.

ENSIAPU

IHO:

Koska rasva on täysin vedenkestävää, se voidaan poistaa parhaiten hyväksytyllä emulgoivalla ihonpuhdistusaineella.

NIELEMINEN:

Varmista, että henkilö juo 30 ml magnesiumamaitoa, mieluiten lasillisena maitoa.

SILMÄT:

Ärsyttävää, mutta ei haitallista. Huuhtelee vedellä ja ota yhteyttä lääkäriin.

TULIPALO

LEIMAHDUSPISTE: Yli 220 °C.

Ei luokiteltu syttyväksi.

Sopiva sammutusväline: CO₂, halon- tai vesisuihke kokeneen käyttäjän toimesta.

YMPÄRISTÖ

Kaavi polttamista tai hyväksyttävää hävittämistä varten.

KÄSITTELY

Käytä suojavoidetta tai öljynkestäviä suojakäsineitä

SÄILYTYS

Kaukana lämpölähteestä ja hapettavasta aineesta.

7.3 MOLYKOTE® 111 -RASVA -TURVALLISUUSTIEDOT

Rasva voidaan tilata yksittäisenä tuotteena, osanumerot löytyvät sivun 210 huoltosarjasta.

ENSIAPU

IHO:

Ensiaputoimet eivät ole tarpeen.

NIELEMINEN:

Ensiaputoimet eivät ole tarpeen.

SILMÄT:

Ensiaputoimet eivät ole tarpeen.

HENGITYS:

Ensiaputoimet eivät ole tarpeen.

TULIPALO

LEIMAHDUSPISTE: Yli 101,1 °C. (suljettu kuppi)

Räjähätävät ominaisuudet: Ei

Sopivat sammutusvälineet: Hiilidioksidivaaho, kuiva jauhe tai vesisuihke. Tullelle altistuneet säiliöt voidaan jäähdyttää vedellä.

YMPÄRISTÖ

Haittavaikutuksia ei odotettavissa.

KÄSITTELY

Yleistä tuuletusta suositellaan. Vältä kosketusta silmiin.

SÄILYTYS

Älä säilytä hapettavien aineiden kanssa. Pidä astia suljettuna ja säilytä kaukana vedestä tai kosteudesta.

8. VIANMÄÄRITYS

ONGELMA	MAHDOLLINEN SYY	KORJAUSTOIMENPIDE	SIVUVIITE
Asetustyökalu ei toimi	Pumppuyksikkö ei toimi	Tarkista pumpun virransyöttö ja lue pumppuyksikön ohjekirja	
	Vialliset pikaliittimet 10 ja 11	Vaihda pikaliittimet	213
	Liipaisimen ohjauskaapeli 14 on liitetty virheellisesti	Tarkista, että ohjauskaapeli on liitetty oikein pumppuun ja asetustyökaluun	208
	Liipaisin 7 tai ohjauskaapeli 14 on vaurioitunut	Vaihda liipaisin ja/tai ohjauskaapeli	213
Liipaisin 7 ei toimi	Pumppu paikallisessa tilassa	Katso pumpun ohjekirja	
	Liipaisin 7 , ohjauskaapeli 14 tai liitin on vaurioitunut	Vaihda liipaisin ja/tai ohjauskaapeli	213
Pumppu toimii, mutta asetustyökalut eivät toimi	Hydraulisia letkuja ei ole liitetty	Tarkista pumpun ja asetustyökalun liittämisen virheettömyys	208
	Alhainen öljytaso	Varmista, että asetustyökalu on täytetty öljyllä ja alustettu oikein Katso pumpun ohjekirja	208
	Asetustyökalun ulkoinen öljyvuoto	Tarkista asetustyökalu – vaihda kuluneet tai vaurioituneet osat	211 - 213
	Letkukokoonpanon ulkoinen öljyvuoto	Tarkista letkukokoonpano – varmista letkuliitäntöjen kireys ja/tai vaihda vaurioituneet letkuliittimet	213
	Pumpun sisäinen/ulkoinen öljyvuoto	Katso pumpun ohjekirja	
Asetustyökalun virheellinen toiminta	Alhainen tai virheellinen hydraulinen paine	Katso pumpun ohjekirja	
	Asetustyökalun kuluneet tai vaurioituneet hydrauliset tiivisteet	Tarkista asetustyökalu – vaihda kuluneet tai vaurioituneet tiivisteet	211 - 213
	Asetustyökalun kuluneet tai vaurioituneet hydrauliset tiivistepinnat	Tarkista asetustyökalu – vaihda kuluneet tai vaurioituneet osat	211 - 213
	Pumpun sisäinen/ulkoinen öljyvuoto	Katso pumpun ohjekirja	
Pumppu tuottaa täyden paineen, mutta niittipää ei rikkoudu	Murtumiskuorma on asetustyökalun kapasiteettia suurempi täydellä paineella	Katso asetustyökalun määritykset	205
	Virtaus asetustyökaluun tukkiutunut	Tarkista pikaliittimien 10 ja 11 täydellinen kytkeytyminen	208
	Pumpun paineenalennusarvo on liian alhainen	Säädä paineenalennusventtiilin asetuksia – katso pumpun ohjekirja	
	Kiinnikkeen niittipään vetourat ovat paljaita	Katso ongelma sivulla 220	209
	Työkalun virheellinen käyttö		209

ONGELMA	MAHDOLLINEN SYY	KORJAUSTOIMENPIDE	SIVUVIITE
Asetustyökalun mäntä 1 ei palaudu	Paluuvirta rajoitettu tai tukossa	Tarkista pikaliittimien 10 ja 11 täydellinen kytketyminen ja/tai viat	208
	Hydraulisia letkuja ei ole liitetty	Tarkista pumpun ja asetustyökalun liitännöiden virheettömyys	208
	Pumpun venttiilin toimintahäiriö	Katso pumpun ohjekirja	
	Pumpun palautusajastimen virheellinen asetus – liian matala asetus	Säädä palautusajastin suositeltuun asetukseen – katso pumpun ohjekirja	
Asetustyökalu ei poista holkkia alasimesta	Pumpun palautuksen paineenalennusventtiilin asetus on liian alhainen	Säädä palautuksen paineenalennusventtiili oikeaan asetukseen – katso pumpun ohjekirja	
	Alhainen tai virheellinen hydraulinen paine	Katso pumpun ohjekirja	
	Asetustyökalun kuluneet tai vaurioituneet hydrauliset tiivisteet	Tarkista asetustyökalu – vaihda kuluneet tai vaurioituneet tiivisteet	211 - 213
	Asetustyökalun kuluneet tai vaurioituneet hydrauliset tiivistepinnat	Tarkista asetustyökalu – vaihda kuluneet tai vaurioituneet osat	211 - 213
Kiinnikkeen niittipään vetourat ovat paljaita asennuksen aikana	Pumpun sisäinen/ulkoinen öljyvuoto	Katso pumpun ohjekirja	
	Käyttäjä ei paina kärkeä kokonaan kiinnikkeen niittipäähän ennen työkalun käyttämistä	Anna käyttäjälle oikeat asennusohjeet	209
	Kiinnikkeen/kiinnityksen virheellinen pituus Kuluneet tai vaurioituneet leukasegmentit	Käytä oikeaa kiinnikettä Tarkista ja vaihda leukasarja – katso kärkilaitteiston tietolomake	209
	Jäämiä leukasegmenteissä ja/tai niittipään urissa	Puhdista leukasegmentit – katso kärkilaitteiston tietolomake	
Avdelok®- tai Avbolt®-holkki ei ole puristunut kokonaan Niittipää ei irtoa kärkilaitteistosta	Liian suuri levyn rako	Sulje levyjen välinen rako	209
	Työkalun virheellinen käyttö		209
	Kulunut alasimen reikä	Tarkista ja vaihda alasin – katso kärkilaitteiston tietolomake	
Asetustyökalu ja hydraulinen öljy on kuumaa	Kärkilaitteiston virheellinen asennus	Katso kärkilaitteiston tietolomake	
	Hydraulisen putken tukos	Tarkista hydrauliset pikaliittimet 10 ja 11 ja vaihda tarvittaessa	213
	Suuri ympäristölämpötila		
Hydraulisista pikaliittimistä 10 ja 11 vuotaa öljyä	Kulunut O-rengas pikaliittimen -ulkokierteet 10 rungossa	Vaihda O-rengas ja varmistusrennas pikaliittimessä 10	213

Kaikki **lihavoidut** numerot viittaavat laitekaavioon ja osaluetteloon, jotka on annettu sivuilla 214, 215 ja 216.

* Huoltosarja sivulla 210.

9. EY-VAATIMUSTENMUKAISUUSVAKUUTUS

Me, **Stanley Engineered Fastening, Stanley House, Works Road, Letchworth Garden City, Hertfordshire, SG6 1JY ISO-BRITANNIA**, vakuutamme täten vastuunalaisena, että tuote:

Kuvaus: AV30 HYDROSÄHKÖINEN TYÖKALU

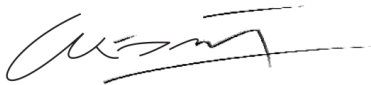
Malli: AV30 NIITTAUSKONE – 73434-02000

jota tämä vakuutus koskee, täyttää seuraavien yhdenmukaistettujen standardien vaatimukset:

ISO 12100:2010	EN ISO 3744:2010
EN ISO 11202:2010	EN ISO 11148-1:2011
EN ISO 4413:2010	EN ISO 20643:2008+A1:2012
EN ISO 4414:2010	ES100118-rev 17:2017
EN ISO 28927-5:2009+A1:2015	

Tekninen dokumentaatio on laadittu liitteen 1, osan 1.7.4.1 mukaisesti seuraavaa direktiiviä noudattaen: **2006/42/EY konedirektiivi** (lakisäätöasetukset 2008 nro 1597 - Konemääräykset (turvallisuus)).

Allekirjoittanut tekee tämän vakuutuksen STANLEY Engineered Fastening -yhtiön puolesta



A. K. Seewraj

Tekninen päällikkö, Iso-Britannia

Avdel UK Limited, Stanley House, Works Road, Letchworth Garden City, Hertfordshire, SG6 1JY ISO-BRITANNIA

Myöntämipaikka: Letchworth Garden City, UK

Myöntämisaika: 12-12-2011

Allekirjoittanut vastaa Euroopan unionin alueella myytyjen tuotteiden teknisen tiedoston laatimisesta ja tekee tämän vakuutuksen Stanley Engineered Fastening -yhtiön puolesta.

Matthias Appel

Tiimipäällikkö - Tekniset asiakirjat

Stanley Engineered Fastening, Tucker GmbH, Max-Eyth-Str.1, 35394 Gießen, Saksa



**Tämä kone täyttää seuraavat vaatimukset:
Konedirektiivi 2006/42/EY**

10.ISON-BRITANNIAN VAATIMUSTENMUKAISUUSVAKUUTUS

Me, **Stanley Engineered Fastening, Stanley House, Works Road, Letchworth Garden City, Hertfordshire, SG6 1JY ISO-BRITANNIA**, vakuutamme täten vastuunalaisena, että tuote:

Kuvaus: AV30 HYDROSÄHKÖINEN TYÖKALU

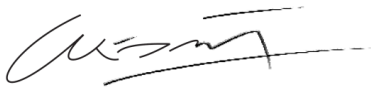
Malli: AV30 NIITTAUSKONE – 73434-02000

jota tämä vakuutus koskee, täyttää seuraavien yhdenmukaistettujen standardien vaatimukset:

ISO 12100:2010	EN ISO 3744:2010
EN ISO 11202:2010	EN ISO 11148-1:2011
EN ISO 4413:2010	EN ISO 20643:2008+A1:2012
EN ISO 4414:2010	ES100118-rev 17:2017
EN ISO 28927-5:2009+A1:2015	

Tekniset asiakirjat on laadittu Supply of Machinery (Safety) -sädöksen 2008, S.I. 2008/1597 (kuten muutettu) mukaisesti.

Allekirjoittanut tekee tämän vakuutuksen STANLEY Engineered Fastening -yhtiön puolesta



A. K. Seewraj

Tekninen päällikkö, Iso-Britannia

Avdel UK Limited, Stanley House, Works Road, Letchworth Garden City, Hertfordshire,
SG6 1JY ISO-BRITANNIA

Myöntämispaikka: Letchworth Garden City, UK

Myöntämisaika: 12-12-2011

**UK
CA**

Tämä kone täyttää seuraavat vaatimukset:
Supply of Machinery (Safety) -sädös 2008,
S.I. 2008/1597 (kuten muutettu)

11. TURVAA SIOITUKSESI!

Stanley® Engineered Fastening SOKKONIITTIEI NIITTAUSKONEEN TAKUU

STANLEY® Engineered Fastening takaa, että kaikki sähkötyökalut on valmistettu huolellisesti ja että niissä ei ole materiaali- tai valmistusvirheitä normaalissa käytössä yhden (1) vuoden aikana.

Tämä takuu koskee työkalun ensimmäistä ostajaa vain alkuperäisessä käytössä.

Rajaukset:

Normaali kuluminen.

Säännöllinen huolto, korjaus ja vaihto-osat normaalin kulumisen vuoksi eivät kuulu takuun piiriin.

Väärinkäyttö.

Virheet tai vauriot, jotka aiheutuvat virheellisestä käytöstä, varastoinnista, väärinkäytöstä, onnettomuudesta tai laiminlyönnistä (esim. fyysisestä vahingosta), eivät kuulu takuun piiriin.

Valtuuttamaton huolto tai muuttaminen.

Virheet tai vauriot, jotka aiheutuvat huollosta, testaussäädöstä, asennuksesta, ylläpidosta, muutoksista tai muokkauksesta millään tavalla jonkun muun kuin STANLEY® Engineered Fasteningin tai sen valtuuttaman huoltokeskuksen tekemänä, eivät kuulu takuun piiriin.

Kaikki muut takuut, nimenomaiset tai epäsuorat, mukaan lukien takuut kauppakelpoisuudesta tai soveltuvuudesta käyttötarkoitukseen eivät kuulu takuuseen.

Jos tämä työkalu ei vastaa takuuta, palauta työkalu tehtaamme valtuuttamaan sinua lähellä olevaan huoltokeskukseen. Saat luettelon valtuutetuista STANLEY® Engineered Fastening -huoltokeskuksista Yhdysvalloissa tai Kanadassa ottamalla yhteyttä numeroon +1 (877) 364 2781.

Yhdysvaltojen ja Kanadan ulkopuolella löydät verkkosivustolta **www.StanleyEngineeredFastening.com** lähimmän STANLEY Engineered Fasteningin toimipisteen.

STANLEY Engineered Fastening korvaa maksutta osan tai osat, joiden olemme todenneet olevan viallisia virheellisen materiaalin tai valmistuksen vuoksi, ja palautamme työkalun postikulut maksettuina. Tämä on ainoa takuun piiriin kuuluva velvoituksenne.

STANLEY Engineered Fastening ei missään tapauksessa ota vastuuta seuraamuksellisista tai erityisistä vahingoista, jotka johtuvat tämän työkalun hankinnasta tai käytöstä.

Rekisteröi sokkoniittien niittauskoneesi verkossa.

Rekisteröi takuusi verkossa osoitteessa <https://www.stanleyengineeredfastening.com/support/warranty-registration-form>

Kiitos, että valitsit STANLEY® Engineered Fasteningin Stanley Assembly Technologies -työkalun.

©2019 STANLEY Black & Decker Alle rettigheter forbeholdt.

Informasjonen her skal ikke reproduseres og/eller offentliggjøres på noen måte i noen form (elektronisk eller mekanisk) uten skriftlig forhåndstillatelse fra STANLEY Engineered Fastening. Informasjonen her er basert på data kjent på tiden for lanseringen av dette produktet. STANLEY Engineered Fastening har en policy med kontinuerlig produktforbedring, og produktene kan derfor endre seg. Informasjonen her gjelder produktet som levert fra STANLEY Engineered Fastening. STANLEY Engineered Fastening kan derfor ikke holdes ansvarlig for eventuelle skader som følger av endringer i forhold til de originale spesifikasjonene for produktet.

Informasjonen her er sammenstilt med størst mulig nøyaktighet. Men STANLEY Engineered Fastening tar intet ansvar med hensyn til eventuelle feil i informasjonen eller for konsekvenser av slike feil. STANLEY Engineered Fastening tar intet ansvar for handlinger utført av tredjepart. Arbeidsnavn, handelsnavn, registrerte varemerker osv. som brukes av STANLEY Engineered Fastening skal ikke regnes som frie, men er underlagt lovgivning med hensyn til beskyttelse av varemerker og lignende.

INNHold

1. SIKKERHETSDEFINISJONER.....	226
1.1 GENERELLE SIKKERHETSREGLER.....	226
1.2 FARE FRA PROSJEKTILER	226
1.3 FARE VED BRUK	227
1.4 FARE VED GJENTAKENDE BEVEGELSER	227
1.5 FARE VED TILBEHØR	227
1.6 FARE VED ARBEIDSPLASSEN.....	227
1.7 FARE VED STØY.....	228
1.8 FARE VED VIBRASJONER.....	228
1.9 EKSTRA SIKKERHETSANVISNINGER FOR HYDRAULISKE VERKTØY	228
2. SPESIFIKASJONER.....	229
2.1 BRUKSFORMÅL.....	229
2.2 VERKTØYSPESIFIKASJONER	229
2.3 VERKTØYDIMENSJONER	230
3. TA I BRUK	231
3.1 FUNKSJONSPRINSIPP	231
3.2 FORBEREDELSE FOR BRUK	232
4. BRUKSANVISNING	233
4.1 INSTALLERE EN AVBOLT® NAGLE	233
4.2 INSTALLERE EN AVDELOK® XT NAGLE.....	233
5. SERVICE PÅ VERKTØYET	234
5.1 DAGLIG VEDLIKEHOLD	234
5.2 UKENTLIG VEDLIKEHOLD	234
5.3 ÅRLIG VEDLIKEHOLD / HVER 150 TUSEN BRUKSOPERASJONER	234
5.4 SERVICESETT	234
5.5 SERVICEVERKTØY	234
5.6 HYDRAULIKKOLJE	234
5.7 DEMONTERINGSANVISNINGER.....	235
5.8 MILJØVERN.....	237
6. GENERELL MONTERING OG LISTE OVER DELER	238
6.1 GENERELL MONTERING	238
6.2 DELELISTE	240
7. SIKKERHETSDATA	241
7.1 ENERPACE® HF HYDRAULISK OLJE – SIKKERHETSDATA.....	241
7.2 MOLYLITHIUM SMØREFETT EP 3753 – SIKKERHETSDATA.....	241
7.3 MOLYKOTE® 111 SMØREFETT – SIKKERHETSDATA.....	242
8. FEILDIAGNOSE	243
9. EU-SAMSVARERKLÆRING	245
10. SAMSVARERKLÆRING (UK).....	246
11. BESKYTT INVESTERINGEN DIN!	247



Denne instruksjonshåndboken skal leses av alle som installerer eller bruker dette verktøyet, med spesiell oppmerksomhet på å følge sikkerhetsregler og instruksjoner.



Bruk alltid slagfaste vernebriller ved bruk av verktøyet. Nødvendig beskyttelse skal vurderes før hver bruk.



Bruk av verktøyet kan eksponere brukerens hender for fare, inkludert knusing, slag, kutt, skrubbsår og varme. Bruk passende hansker for å beskytte hendene.



Bruk hørselsvern i samsvar med arbeidsgiverens anvisninger og som pålagt i HMS-reglene.

1. SIKKERHETSDEFINISJONER

Definisjonene under beskriver alvorlighetsgraden for hvert signalord. Vennligst les håndboken og legg merke til disse symbolene.



FARE: Indikerer en overhengende farlig situasjon som vil føre til død eller alvorlige personskader hvis den ikke avverges.



ADVARSEL: Indikerer en potensielt farlig situasjon som kan føre til død eller alvorlige personskader hvis den ikke avverges.



FORSIKTIG: Indikerer en potensielt farlig situasjon som kan føre til små eller moderate personskader hvis den ikke avverges.



FORSIKTIG: Bruk uten sikkerhetssymbol indikerer en potensiell farlig situasjon som kan føre til materielle skader dersom den ikke avverges.

Feilaktig bruk eller vedlikehold av dette produktet kan føre til alvorlige personskader og materielle skader. Les og forstå alle advarsler og bruksanvisninger før bruk av dette utstyret. Ved bruk av verktøy skal alltid grunnleggende sikkerhetsregler følges for å unngå fare for personskader.

TA VARE PÅ ALLE ADVARSLER OG INSTRUKSJONER FOR FREMTIDIG BRUK.

1.1 GENERELLE SIKKERHETSREGLER

- For mange ulike farer, les og forstå sikkerhetsanvisningene før installasjon, bruk, reparasjon, vedlikehold av og skifte av tilbehør på verktøyet, eller for arbeid i nærheten. Dersom det ikke gjøres kan det føre til alvorlige personskader.
- Kun kvalifiserte og opplærte brukere skal installere, justere og bruke verktøyet.
- Skal IKKE brukes for andre formål enn den påtenkte installasjonen av STANLEY Engineered Fastening popnagler.
- Bruk kun deler, nagler og tilbehør som anbefalt av produsenten.
- IKKE modifier verktøyet. Endringer kan redusere effekten av sikkerhetstiltak og øke risikoen for brukeren. Eventuelle endringer på verktøyet som er foretatt av kunden, er kundens eneansvar og vil ugyldiggjøre alle aktuelle garantier.
- Ikke kast sikkerhetsanvisningene, brukeren skal ha dem.
- Bruk ikke verktøyet dersom det er skadet.
- Før bruk, kontroller for feil innretning eller bevegelige deler som sitter fast, brukne deler og andre forhold som kan påvirke verktøyets funksjon. Dersom det er skadet, få verktøyet reparert før bruk. Ta av eventuell justeringsnøkkel eller skiftenøkkel før bruk.
- Verktøy skal ha regelmessig ettersyn for å verifisere angivelser og merking som kreves i henhold til denne del av ISO 11148 er lesbare på verktøyet. Arbeidsgiver/bruker skal kontakte produsenten for å få nye etiketter om nødvendig.
- Verktøyet skal alltid vedlikeholdes for trygg brukstilstand, og skal inspiseres for skader og korrekt funksjon av opplært personell med regelmessige mellomrom. All demontering skal foretas av opplært personell. Ikke demonter dette verktøyet uten først å rådføre deg med vedlikeholdsanvisningene.

1.2 FARE FRA PROSJEKTILER

- Koble verktøyet fra den hydrauliske pumpeenheten før du foretar vedlikehold, justeringsforsøk, setter på eller tar av en nesemodul eller tilbehør.
- Vær oppmerksom på at svikt i arbeidsstykker eller tilbehør – og i det anvendte verktøyet selv – kan utløse prosjektiler med høy hastighet.
- Bruk alltid slagfaste vernebriller ved bruk av verktøyet. Nødvendig beskyttelse skal vurderes før hver bruk.

- Risikoen for andre personer skal vurderes samtidig.
- Forsikre deg om at arbeidsstykket er godt festet.
- Sjekk at beskyttelsen mot utkast av nagler og/eller kjerner er på plass og fungerer.
- Advar mot mulig kraftig utkast av kjerner fra fronten av verktøyet.
- IKKE bruk et verktøy dersom det er rettet direkte mot person(er).

1.3 FARE VED BRUK

- Bruk av verktøyet kan eksponere brukerens hender for fare, inkludert knusing, slag, kutt, skrubbsår og varme. Bruk passende hansker for å beskytte hendene.
- Brukere og vedlikeholdspersonell skal være fysisk i stand til å håndtere størrelse, vekt og kraften av verktøyet.
- Hold verktøyet korrekt, vær forberedt på å motvirke normale eller plutselige bevegelser og ha begge hender tilgjengelige.
- Hold håndtakene på verktøyet tørre, rene og fri for olje og fett.
- Hold en god, balansert kroppsstilling og godt fotfeste ved bruk av verktøyet.
- Slipp start/stopp innretningen ved brudd på hydraulikkforsyningen.
- Bruk bare smøremidler som er anbefalt av produsenten.
- Kontakt med hydraulisk væske skal unngås. For å minske muligheten for utslett, skal du passe på å vaske huden grundig hvis kontakt oppstår.
- Sikkerhetsdatablad for alle hydrauliske oljer og smøremidler er tilgjengelig fra din verktøyleverandør på forespørsel.
- Unngå uegnede kroppsposisjoner, da det er sannsynlig at slike posisjoner ikke lar deg motvirke normale eller uventede bevegelser på verktøyet.
- Dersom verktøyet er festet i et oppheng, pass på at det er godt festet.
- Vær oppmerksom på risikoen for knusing eller kniping dersom neseutstyr ikke er satt på.
- IKKE bruk verktøyet med nesehuset tatt av.
- Det må være tilstrekkelig klaring fra verktøybrukerens hender før du går videre.
- Når du bærer verktøyet fra sted til sted, hold alltid hånden unna avtrekkeren for å unngå utilsiktet aktivering.
- IKKE bruk verktøyet feil ved å la det falle ned eller bruke det som hammer.
- Du må forsikre deg om at brukte kjerner ikke utgjør en fare.

1.4 FARE VED GJENTAKENDE BEVEGELSER

- Ved bruk av verktøyet kan brukeren oppleve ubehag i hender, armer, skuldre, nakke eller andre kroppsdelene.
- Ved bruk av verktøyet skal brukeren holde en komfortabel kroppsstilling og samtidig hule et stødig fotfeste og unngå klønete eller ubalanserte stillinger. Brukeren bør sørge for å skifte stilling under langvarige jobber, det hjelper til med å unngå ubehag og utmattelse.
- Dersom brukeren opplever symptomer som varig eller gjentakende ubehag, smerte, bankende, verkende, prikkende, følelseløshet, brennende følelser eller stivhet, skal slike varseltegn ikke ignoreres. Brukeren skal informere arbeidsgiver og søke kvalifisert medisinsk råd.

1.5 FARE VED TILBEHØR

- Koble verktøyet fra hydraulikkforsyning og elektrisk strøm før montering eller demontering av nesemodul eller tilbehør.
- Bruk kun størrelse og type av tilbehør og forbruksartikler som anbefalt av verktøyprodusenten, ikke bruk andre typer eller størrelser av tilbehør eller forbruksartikler.

1.6 FARE VED ARBEIDSPLASSEN

- Hovedårsakene til arbeidsulykker er å skli, snuble og falle. Vær oppmerksom på glatte flater som skyldes bruk av verktøyet og fare for å snuble i luftledning eller hydraulikkslange.
- Vær forsiktig i ukjente omgivelser. Det kan være skjulte farer så som elektriske ledninger eller andre infrastrukturlinjer.
- Verktøyet er ikke ment for bruk i potensielt eksplosive atmosfærer og er ikke isolert mot kontakt med elektrisk strøm.
- Forsikre deg om at ingen elektriske kabler, gassrør og lignende som kan utgjøre en fare dersom de skades av verktøyet er i nærheten.
- Kle deg korrekt. Ikke ha på deg løstsittende klær eller smykker. Hold hår, antrekk og hansker borte fra bevegelige deler. Løstsittende antrekk, smykker eller langt hår kan bli fanget opp av bevegelige deler.
- Du må forsikre deg om at brukte kjerner ikke utgjør en fare.

1.7 FARE VED STØY

- Å utsettes for høyt støynivå kan føre til permanent, invalidiserende hørselstap og andre problemer som tinnitus (ringing, summing, plystring eller surring i ørene). Derfor er det viktig med risikovurdering og innføring av passende kontroller for slik fare.
- Passende kontroller for å redusere risikoen kan inkludere tiltak som lyddempende materialer for å hindre "ringing" i arbeidsstykkene.
- Bruk hørselsvern i samsvar med arbeidsgiverens anvisninger og som pålagt i HMS-reglene.
- Bruk og vedlikehold verktøyet som anbefalt i bruksanvisningen for å forhindre økt støynivå.

1.8 FARE VED VIBRASJONER

- Eksponering for vibrasjoner kan føre til invalidiserende skader på nervene og blodforsyningen til hender og armer.
- Bruk varme klær ved arbeid i kalde omgivelser og hold hendene tørre og varme.
- Dersom du opplever nummenhet, prikking, smerte eller at huden blir hvit på fingrene eller hender, stopp bruken av verktøyet og søk medisinsk hjelp.
- Om mulig, avlast vekten av verktøyet ved hjelp av stativ, oppheng eller avbalansering, det er da lettere å holde verktøyet.

1.9 EKSTRA SIKKERHETSANVISNINGER FOR HYDRAULISKE VERKTØY

- Driftstrykket på trykkluften skal ikke overstige 550 bar (8000 PSI).
- Olje under trykk kan føre til alvorlige personskader.
- Ikke bruk fleksible hydraulikkslanger godkjent for mindre enn 700 bar (10 000 PSI) arbeidstrykk ved en gjennomstrømning på 2,73 l/min (200 i 3/min).
- La aldri verktøyet ligge uten tilsyn. Koble fra hydraulikkslange og strømkabel fra pumpen når verktøyet ikke brukes, før skifte av tilbehør eller når du foretar reparasjoner.
- Piskende slanger kan føre til alvorlige personskader. Sjekk alltid at slanger og fittings ikke er skadet eller løse.
- Før bruk må du inspisere de hydrauliske slangene etter skade. Alle de hydrauliske kontaktposisjonene må være rene og koblet inn riktig før drift. Ikke la tunge gjenstander falle på slangene. Et skarpt slag kan føre til indre skader og føre til at slangen svikter før tiden.
- Når generelle dreiekoblinger (klokoblinger) brukes, skal det installeres låsepinner og det skal brukes piskestoppende sikkerhetswire for å forhindre mulige koblingsfeil mellom slange og verktøy eller mellom ulike slanger.
- IKKE løft nagleverktøyet i slangen. Bruk alltid håndtaket på nagleverktøyet.
- IKKE trekk i eller beveg hydraulikkpumpen ved hjelp av slangene. Bruk alltid pumpeenhetens håndtak eller rullestativ.
- Hold smuss og fremmedlegemer ute av hydraulikksystemet, det kan føre til at verktøyet feiler.
- Bruk bare ren olje og påfyllingsutstyr.
- Bruk bare anbefalte hydraulikkvæsker.
- Aggregater krever fri flyt av luft av hensyn til kjølingen og skal derfor plasseres på et godt ventilert sted som er fritt for farlig gass og damp.
- Maksimal temperatur av hydraulikkvæsken på inntaket er 110 °C (230 °F).

STANLEY Engineered Fastenings policy er å drive kontinuerlig produktutvikling og forbedringer, og vi forbeholder oss retten til å endre spesifikasjonene for alle produkter uten forhåndsvarsel.

2. SPESIFIKASJONER

2.1 BRUKSFORMÅL

AV™ 30 Installasjonsverktøyet er hovedsakelig en modul for stempel og sylinder. Når det er koblet til hydraulikk og strøm fra en kompatibel energikilde og relevant nese modul er montert, kan det da brukes til å montere 1/2" til 5/8 Avbolt® og 1/2" og 3/4" Avdelok® XT i industrimiljøer.

Nagleverktøyet og hydraulikkpumpen skal kun brukes i samsvar med bruksanvisningen for strukturelle nagler fra Stanley Engineered Fastening.

Se tabellen under for aktuelle nagler og respektive neseutstyr.
Se databladene angitt i tabellen for relevante monteringsanvisninger for nese modul.

SKAL IKKE brukes under våte forhold eller ved nærvær av brennbare væsker eller gasser.

NAGLE		NESEMODUL			NESEMODUL DATAARK
TYPE	STØRRELSE	DELENUMMER	DIM. 'A'	DIM. 'B'	DELENUMMER
AVBOLT®	1/2"	73412-03600	113mm	43mm	07900-00905
	5/8"	73412-03400	113mm	52mm	07900-00905
AVDELOK® XT	1/2"	73412-03100	113mm	43mm	07900-00919
	5/8"	73412-03200	115mm	48mm	07900-00919
	3/4"	73412-03300	134mm	56mm	07900-00919

*Nese modul med kjeveløsner.

Se illustrasjon på side 230 for identifikasjon av nese modul dimensjoner 'A' og 'B'.

Sikkerhetsanvisningene skal alltid følges.

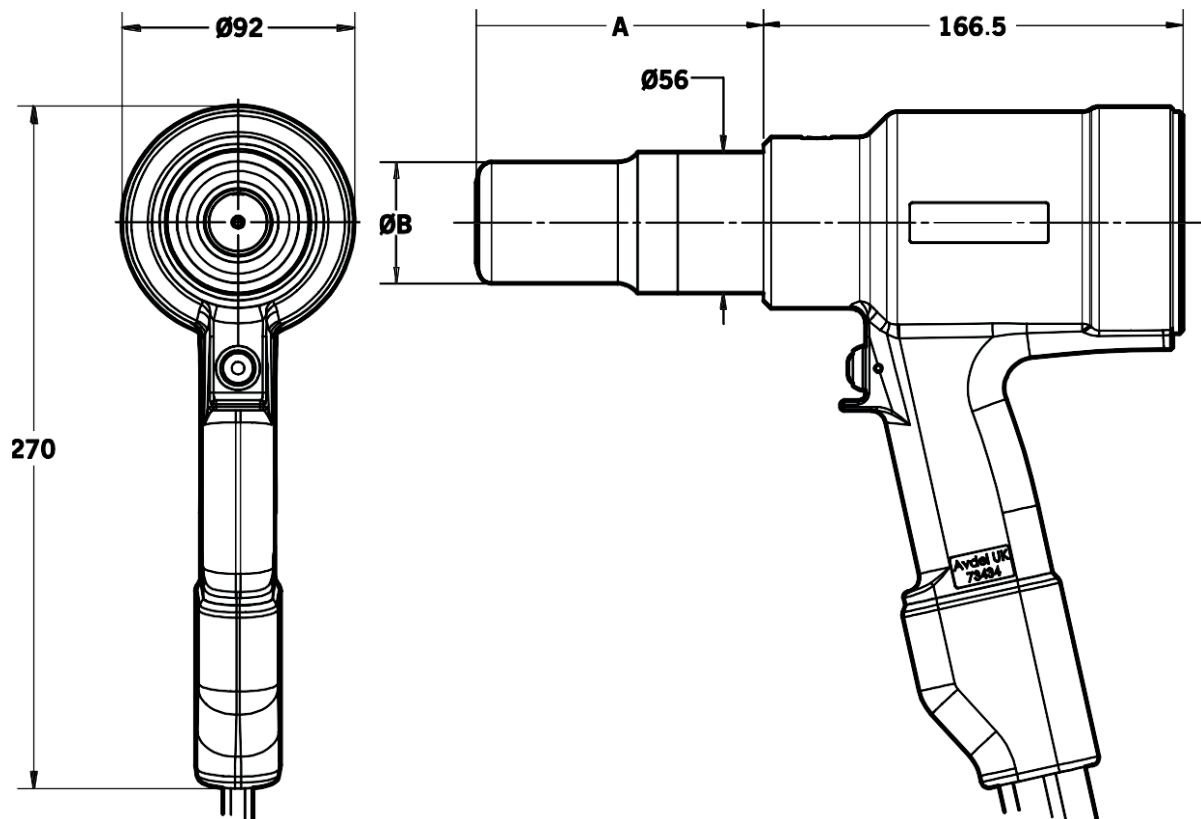
2.2 VERKTØYSPESIFIKASJONER

SPESIFIKASJON		METERSYSTEMET	IMPERIAL
Kraft:	Trekk ved nominelt trekktrykk	175,0 kN	39341,0 lbf
	Avskyvning ved nominelt returtrykk	80,0 kN	17985,0 lbf
Trykk:	Trekk	510 bar	7397 PSI
	Retur	200 bar	2901 PSI
Slaglengde:	Stempelslaglengde	41,0mm	1,61 in
Vekt:	Uten neseutstyr	6,9 kg	15,3 lb
Hydraulikkolje:	Enerpac® Hydraulikkolje – HF-95X		
Produktserie:	Avbolt®	12,7 til 15,9 mm	1/2 til 5/8 i
	Avdelok® XT	12,7 til 19,1 mm	1/2 til 3/4 i
Ekstra funksjoner:	Kjerneejektor – foran eller bak	Front	
	Pakningutforming	Leppe- og avstrykerpakninger	
	Hydrauliske lagerringer	Ja – Front	
	Beskyttelseshåndtak/slangeføring	Ja	
	Beskyttende slangebeskyttelse	Ja	
	Slange/kabel festeklemmer	Ja	

Støyverdier bestemt i samsvar med teststandard for støy i ISO 15744 og ISO 3744.		AV30
A-vektet lydeffektnivå dB(A), L_{WA}	Usikkerhet lyd: $k_{WA} = 3,0$ dB(A)	94,3 dB(A)
A-vektet avgitt lydtrykknivå på arbeidsstedet dB(A), L_{pA}	Usikkerhet lyd: $k_{pA} = 3,0$ dB(A)	83,3 dB(A)
C-vektet topp lydtrykknivå dB(C), L_{pC} topp	Usikkerhet lyd: $k_{pC} = 3,0$ dB(C)	128,1 dB(C)

Vibrasjonsverdier bestemt i samsvar med teststandard for vibrasjoner i ISO 20643 og ISO 5349.		AV30
Vibrasjonsutslippsnivå, a_{hd} :	Usikkerhet vibrasjon: $k = 0,48$ m/s ²	0,952 m/s ²
Erklærte vibrasjonsutslippsverdier i samsvar med EN 12096		

2.3 VERKTØYDIMENSJONER



Alle dimensjonene vises i millimeter.

Se tabellen på side 229 for dimensjonene for nesemodul 'A' og 'B'.

Verktøyet har to hydrauliske slanger og en elektrisk kontrollkabel på 0,6 m montert. Ekstra lengder av hydraulisk slange og skjøtekabel kan bestilles separat om nødvendig. Se tabellen under for tilgjengelige slangemodullengder og respektive delenummer.

HYDRAULISK SLANGEMODUL	
DELENUMMER	SLANGELENGDE
07008-00448	5 meter
07008-00449	10 meter
07008-00450	15 meter

3. TA I BRUK

3.1 FUNKSJONSPRINSIPP

VIKTIG – LES SIKKERHETSANVISNINGENE PÅ SIDE 226 – 228 OG BRUKSANVISNINGEN FOR PUMPEENHETEN NØYE FØR BRUK.

Når både slanger og kontrollkabel er koblet til Avdel® / Enerpac® hydraulisk pumpeenhet, kontrolleres trekk- og retursykluserne til verktøyet ved å trykke og slippe avtrekkeren i håndtaket.

Når bryteren trykkes inn, vil magnetventilen i hydraulikkpumpen aktiveres og fører trykksatt oljeflow til trekk-siden av stempelet i nagleverktøyet. Dette lar også oljen i retursiden av nagleverktøyet returnere til reservoaret.

Under trekksyklusene beveger stempel/kragemodulen seg bakover i verktøyet og lar puten i o-ringtype skyve medfører og kjever forover. Dersom en nagle er satt inn i nesemodulen, vil kjevesettet klemme fast naglekjernen og monteringen foretas.

For Avbolt® og Avdelok® XT er installasjonssyklusen først å klemme inn naglen som skal settes inn, og deretter vil kragen stukes inn i låsesporene i naglekjernen når ambolten fortsetter forover. Ved slutten av stukingen vil ambolten løftes igjen opp mot festepunktet, og så knekkes kragekjernen av når bevegelsen fortsetter.

Avtrekkeren må slippes straks et pinnebrudd skjer. Ved å slippe avtrekkeren vil magnetventilen deaktiveres og snu flowretningen av trykksatt olje.

Dersom avtrekkeren ikke slippes, vil stempelet i nagleverktøyet fortsette å bevege seg bakover i verktøyet til det når enden av stempelslaget. Trykket i trekksiden vil da øke til en innstilt "høyt trykk" verdi nås på pumpen. På dette punktet vil magnetventilen automatisk deaktiveres og gjennomstrømningsretningen på trykksatt olje snus til retursiden av nagleverktøyet.

I begge tilfeller vil trykksatt olje nå strømme inn i retursiden av nagleverktøyet og oljen i trekksiden returneres til reservoaret.

Bevegelsen forover av stempel/krage-modul vil støte ut den installerte naglen fra ambolten.

På punktet avtrekkeren slippes eller når verdien "høyt trykk" nås, vil magnetventilen deaktiveres og aktivere en forhåndsinnstilt "returtimer". Denne kontrollerer tiden som pumpemotoren vil fortsette å gå før den kobler til hvilemodus. Timeren kan manuelt stilles inn mellom 5 og 20 sekunder for å sikre at nagleverktøyet alltid går helt tilbake til fremre posisjon (se bruksanvisningen for pumpen 07900-01030, side 10 og 13).

Når stempelet går til posisjon helt foran, vil trykket øke til forhåndsinnstilt verdi for lavt trykk – ca. 200 bar. Pumpemotoren vil fortsette å gå til returtimeren er utløpt. Etter denne tiden vil motoren stoppe automatisk og ventilen vil skifte til hvileposisjon. Magnetventilen vil så automatisk gå gjennom syklus for å slippe trykksatt olje til reservoaret, både fra trekk- og retursiden av nagleverktøyet.

Dette holder nagleverktøyet i fremre posisjon. På dette punktet er det ikke trykk i hydraulikksystemet.

Hydraulikkpumpen vil automatisk starte når avtrekkeren på verktøyet trykkes inn.

3.2 FORBEREDELSE FOR BRUK

FORSIKTIG – KORREKT TREKK- OG RETURTRYKK ER VIKTIG FOR KORREKT FUNKSJON AV NAGLEVERKTØYET. PERSONSKADER ELLER SKADER PÅ UTSTYR KAN OPPSTÅ SOM FØLGE AV FEIL TRYKK. TREKK- OG RETURTRYKK SOM LEVERT AV HYDRAULIKKPUMPEN SKAL IKKE OVERSTIGE ANGITTE TRYKK I SPESIFIKASJONENE FOR NAGLEVERKTØYET.

VIKTIG – FØR DU TAR I BRUK MONTERINGSVERKTØYET OG HYDRAULIKKSLANGEN:

FORSIKRE DEG OM AT PUMPENS TRYKKAVLASTINGSVENTIL ER STILT INN I SAMSVAR MED PUMPENS BRUKSANVISNING OG MAKSIMALT TRYKK ANGITT FOR NAGLEVERKTØYET OG SLANGENE.

FORSIKRE DEG OM AT SLANGESETTET ER FORHÅNDSSPYLT MED HYDRAULIKKVÆSKE I SAMSVAR MED PROSEDYREN I PUMPENS BRUKSANVISNING 07900–01030.

- Forsikre deg om at strømforsyningen til hydraulikkpumpen er slått av.
- Koble nagleverktoyets slangehurtigkoblinger direkte til pumpeenheten før du kobler til den elektriske kontrollkabelen. Slinger og kontrollkabel skal kobles til i denne rekkefølgen og kobles fra i motsatt rekkefølge.
- Slå på strømforsyningen til hydraulikkpumpen. Vent 5 sekunder før at pumpeenheten skal gjennomføre startprosedyren før du trykker inn avtrekkeren. Når alt er klart vil LCD-skjermen på pumpeenheten vise "AVDEL".
- Under startprosedyren vil pumpens kontrollsystem registrere bruk av avtrekkeren og forhindre at motoren starter. LCD-skjermen vil i så fall vise "BUTTON FAULT" (bryterfeil). Reset ved å slå av strømforsyningen i 10 sekunder.
- Forsikre deg om at nagleverktoyets er plassert lavere enn pumpens reservoartanker. Trykk inn og slipp verktoyets avtrekker noen ganger til nesten fullt stempelslag for å sirkulere hydraulikkvæske og bli kvitt eventuell luft i verktoyets.
- Observer verktoyets drift. Sjekk om det er væskelekkasjer og forsikre deg om at stempelet i hvileposisjon er i posisjon helt forover. Nagleverktoyets er nå forberedt.
- Slå av strømforsyningen til hydraulikkpumpen og koble nagleverktoyets fra pumpen i motsatt rekkefølge som angitt over.
- Koble nå nagleverktoyets til forberedt slangesett og elektrisk kontrollkabel. Koble deretter det hydrauliske slangesettets hurtigkoblinger og den elektriske kontrollkabelen til pumpeenheten.
- Sett nesemodulen på verktoyets i samsvar med instruksene i databladet for den relevante nesemodulen.
- Slå på strømforsyningen til hydraulikkpumpen som angitt over.
- Trykk inn og slipp verktoyets avtrekker noen ganger til nesten fullt stempelslag for å sirkulere hydraulikkvæske.
- Verktoyets er nå klart for bruk.

4. BRUKSANVISNING

4.1 INSTALLERE EN AVBOLT® NAGLE

- Sjekk arbeidsstykket og reduser for store gap. (Gap er mellomrommet mellom komponentene i leddet. Gapet er for stort dersom naglekjernen som nesemodulen skal gripe i ikke stikker gjennom kragen).
- Sett Avbolt® naglen i hullet.
- Skyv nesemodulen på pinnen til nesemodulens ambolt stopper mot kragen. Verktøyet og nesemodulen skal holdes i rett vinkel (90°) mot arbeidsstykket.
- Trykk inn verktøyets avtrekker for å starte installasjonssyklusen.
- Når bevegelsen forover av ambolten på nesemodulen stopper og naglekjernen knekker av, slipp avtrekkeren. Verktøyet starter retursyklus og skyver av den monterte naglen. Ved slutten av retursyklusen, vil kjevene slippes delvis til den utvidede naglekjernen, som kan fjernes ved å vippe verktøynesen nedover.
- Når den monterte naglen er støtt ut, er verktøyet og nesemodulen klar for neste installasjon.

4.2 INSTALLERE EN AVDELOK® XT NAGLE

- Sjekk arbeidsstykket og reduser for store gap. (Gap er mellomrommet mellom komponentene i leddet. Gapet er for stort dersom naglekjernen som nesemodulen skal gripe i ikke stikker gjennom kragen).
- Sett Avdelok® XT naglen i hullet.
- Skyv Avdelok® XT kragen over pinnen. (Den skrå enden av kragen skal peke mot nesemodulen og verktøyet.)
- Skyv nesemodulen på pinnen til nesemodulens ambolt stopper mot kragen. Verktøyet og nesemodulen skal holdes i rett vinkel (90°) mot arbeidsstykket.
- Trykk inn verktøyets avtrekker for å starte installasjonssyklusen.
- Når bevegelsen forover av ambolten på nesemodulen stopper og naglekjernen knekker av, slipp avtrekkeren. Verktøyet starter retursyklus og skyver av den monterte naglen. Ved slutten av retursyklusen, vil kjevene slippes delvis til den utvidede naglekjernen, som kan fjernes ved å vippe verktøynesen nedover.
- Når den monterte naglen er støtt ut, er verktøyet og nesemodulen klar for neste installasjon.

FORSIKTIG – IKKE FORSØK Å KNEKKE AV EN NAGLEKJERNE UTEN EN INSTALLERT KRAGE, DETTE VIL FØRE TIL AT DEN USIKREDE DELEN AV AVDELOK® ELLER AVBOLT® NAGLEKJERNEN STØTES UT AV NESEN MED HØY HASTIGHET OG KRAFT.

5. SERVICE PÅ VERKTØYET

VIKTIG – LES SIKKERHETSINSTRUKSENE PÅ SIDE 226 - 228. ARBEIDSGIVEREN ER ANSVARLIG FOR Å SIKRE AT VERKTØYETS VEDLIKEHOLDSANVISNINGER GIS TIL DET AKTUELLE PERSONELLET. BRUKEREN SKAL IKKE DELTA I VEDLIKEHOLD ELLER REPARASJON AV VERKTØYET DERSOM HAN/HUN IKKE HAR ORDENTLIG OPPLÆRING. VERKTØYET SKAL EKSAMINERES MED JEVNE MELLOMROM FOR Å FINNE SKADE ELLER FUNKSJONSFEIL.

5.1 DAGLIG VEDLIKEHOLD

- Sjekk nagleverktøyet, slanger og hurtigkoblinger for oljelekkasjer.
- Slitte eller skadede slanger og koblinger skal skiftes ut.
- Sjekk at slaget til verktøyet møter spesifikasjonene.
- Sjekk at naglekjernerdeflektoren er montert.
- Sjekk at pumpens trykkavlastningsventil for trekk/mating fungerer korrekt.
- Sjekk om ambolten er slitt, indikert ved rissemærker på den installerte kragen. Det kan også bekreftes ved å se på installasjonsdata i naglekatalogen. For mye slitasje kan føre til at ambolten sprekker.

5.2 UKENTLIG VEDLIKEHOLD

- Demonter og rengjør nesemodulen, spesielt kjeve som beskrevet i relevant datablad for nesemodulen.
- Sjekk nagleverktøyet, slanger og hurtigkoblinger for oljelekkasjer

FORSIKTIG - Du skal aldri bruke løsemidler eller andre sterke kjemikalier for rengjøring av ikke-metalliske deler av verktøyet. Disse kjemikaliene kan svekke materialene brukt i disse delene.

5.3 ÅRLIG VEDLIKEHOLD / HVER 150 TUSEN BRUKSOPERASJONER

- Årlig eller etter 150 000 sykluser (det som inntreffer først) skal verktøyet demonteres fullstendig og nye komponenter settes inn ved slitasje, skader eller dersom anbefalt. Alle o-ringer, støtteringer og pakninger skal skiftes og smøres med MolyKote® 111 smørefett før montering.

5.4 SERVICESETT

For komplett service er følgende servicesett tilgjengelig:

SERVICESETT: 73432-99990			
DELENUMMER	BESKRIVELSE	DELENUMMER	BESKRIVELSE
07005-10118	Hurtigkobling – hann	07900-00972	AV30 styrepinne for fremre pakkboks
07005-10120	Hurtigkobling – hunn	07900-00963	AV30 Stempelføringhylse
07900-00958	Endehette verktøykropp	07992-00020	Smørefett – MolyLithium EP3753
07900-00969	AV30 Stempelpakningshylse	07900-00755	Smørefett – Molykote® 111
07900-00970	AV30 Stempelpakningsfører	07900-00756	Loctite® 243 gjengelim
07900-00971	AV30 Stempelkule – front		

5.5 SERVICEVERKTØY

Følgende standard verktøy behøves:

- Unbrakonøkkel: 2,0 / 3,0 mm
- Flat fastnøkkel: 12 / 14 / 18 / 24 / 45 mm A/F (fastnøkkel)
- PTFE-tape: 10mm
- Skrustikke med kjevebeskyttere – 150 mm

5.6 HYDRAULIKKOLJE

FORSIKTIG – Bruk kun Enerpac® HF-hydraulikkolje – bruk av annen olje kan føre til at popnagleverktøyet og pumpen svikter og vil gjøre garantien for popnagleverktøyet ugyldig.

Hydraulikkolje kan bestilles under følgende delenummer.

HYDRAULIKKOLJE			
DELENUMMER	07992-00081	07992-00082	07992-00083
Enerpac® Delenummer	HF-95X	HF-95Y	HF-95T
Volum	1 Liter	5 Liter	20 Liter
Viskositet	32 mm ² /s	32 mm ² /s	32 mm ² /s

5.7 DEMONTERINGSANVISNINGER

VIKTIG – FORSIKRE DEG OM AT STRØMFORSYNINGEN TIL HYDRAULIKKPUMPEN ER SLÅTT AV FØR DU TAR AV NESE-MODULEN ELLER DEMONTERER NAGLEVERKTØYET.

Før demontering:

- Koble fra hurtigkoblingene **10** og **11** og elektrisk kontrollkabel **14** mellom nagleverktøyet og hydraulikklangemodulen.
- Ta nesemodulen av verktøyet i samsvar med instruksene i databladet for den relevante nesemodulen.
- Potensielt farlige stoffer som kan være avsatt på maskinen som følge av arbeidsprosessene skal fjernes før vedlikehold.

For komplett service på verktøyet, anbefaler vi at du foretar demontering av verktøyet i rekkefølgen som angitt på side 235 til 237. Etter demontering av verktøyet anbefaler vi at du skifter ut alle pakninger.

Montering hodestempel:

- Bruk en flat skrutrekker og ta av pinnen **41** fra krageadapteren **40**.
- Skru av og ta av krageadapteren **40** fra stempelet **1**.
- Klem fast verktøyhåndtaket i en skrustikke med myke kjever slik at verktøyet peker med nesene ned.
- Koble den ekstra *hurtigkoblingen – hann, til hurtigkobling – hunn **11** på hydraulikkslange – retur **18**. Dette vil slippe trykket fra retursiden av stempelet **1** og gjøre det enklere å ta av endehetten **17**.
- Sett inn *endehette monteringsverktøy i endehetten **17**.
- Bruk en 24 mm fastnøkkel, skru av og ta av endehetten **17** fra kroppen **2**.
- Bruk en liten flat skrutrekker og ta av o-ringen **21** fra endehetten **17** og kast den.
- Ved å bruke en liten flat skrutrekker eller lignende verktøy og ta av o-ringen **30** og den spiralformede støttingen **36**, fra det utvendige sporet på endehetten **17** og kast dem. Når du tar av pakningene, pass på å ikke skade overflaten på endehetten med skrutrekkeren.
- Ta av nagleverktøyet fra skrustikken og tøm ut hydraulikkoljen fra bakenden av verktøyet. Ta av den ekstra *hurtigkoblingen – hann fra hurtigkoblingen – hunn **11**.
- Koble den ekstra *hurtigkoblingen – hunn, til hurtigkobling – hann **10** på hydraulikkslange – trekk **19**. Dette vil slippe trykket fra trekksiden av stempelet **1** og gjøre det enklere å ta av stempelet **1**.
- Skru *stempelkule – front på fronten av stempelet **1**.
- Sett kroppen **2** med nesene opp på en benk. Bruk en myk hammer og bank stempelet **1** mot bakenden av kroppen og ut av bakenden, pass på å ikke skade hullet i kroppen.
- Merk at når du tar av stempelet **1** vil olje fra trekksiden av stempelet lekke fra fronten og bakenden av kroppen **2**.
- Når du tar av stempelet **1** kan pakkboxen fremme **15** bli sittende igjen på stempelstangen. I så fall skru av *stempelkule – front og trekk pakkboxen fremme av stempelet.
- Stempelpakningen **26** er en 2-delt pakning som består av en ekstern pakningsring og en innvendig o-ring. Bruk en liten kniv for å kappe den eksterne pakningsringen og ta den ut av sporet på stempelet **1**. Bruk deretter en liten flat skrutrekker for å ta av o-ringen fra stempelet, kast den. Når du tar av pakningene, pass på å ikke skade overflaten på stempelet.
- Dersom pakkboxen fremme **15** fortsatt sitter igjen i kroppen **2**. Sett kroppen med nesene opp på en benk og skyv pakkboxen fremme fra fronten til den er fri fra fordypningen i kroppen. Pakkboxen fremme kan nå tas ut fra bakenden av kroppen. Pass på å ikke skade hullet i kroppen når du gjør dette.
- Bruk en liten flat skrutrekker eller lignende verktøy og ta av o-ringen **23** og spiralformet støtting **34**, fra det utvendige sporet på pakkboxen fremme **15** og kast dem. Når du tar av pakningene, pass på å ikke skade overflaten på pakkboxen fremme med skrutrekkeren.

Alle tallene i **uthevet** henviser til Generell montering og Deleliste på sidene 238, 239 og 240.

* Servicesett på side 234.

- Ta av stempelstangpakningen **25** og avstrykerpakning **22** fra de innvendige sporene på pakkboksen fremme **15** og kast dem. Når du tar av pakningene, pass på å ikke skade overflaten på pakkboksen fremme med skrutrekkeren.
- Ta av lagerringen fremme **24** og sjekk delen for slitasje eller skader. Kast delen om nødvendig.
- Bruk en liten flat skrutrekker og ta av o-ringene **21** fra kroppen **2** og kast den.
- Koble den ekstra *hurtigkoblingen – hunn, fra hurtigkobling – hann **10** på hydraulikkslangen – trekk **19**.
- Ikke fjern settskruen **42** fra kroppen **2**.

Monter i motsatt rekkefølge og pass på av følgende punkter:

- Rengjør alle komponenter før montering.
- For å gjøre monteringen av pakningene enklere, påfør litt Molykote® 111-smørefett på alle pakninger, støttinger og monteringsverktøy.
- Skyv o-ringene **23** over pakkboksen fremme **15** og inn i det utvendige sporet. Sett inn spiralformet støtting **34** i samme spor, for an den monterte o-ringene. Se Generell montering og Deleliste for korrekt orientering av o-ring og spiralformet støtting.
- Press lagerringen fremme **24** inn på den interne fordypningen i pakkboksen fremme **15** og installer stempelstangpakningen **25** bak lagerringen fremme. Installer avstrykerring **22** i den fremre fordypningen på pakkboksen fremme. Se Generell montering for å sikre korrekt orientering av stempelstangpakningen og avstrykerringen.
- Smør overflaten og forkanten av **2** hullet i kroppen som pakkboksen fremme **15** skal installeres i med Molykote® 111 smørefett.
- Smør nippelen på *styrepinne for pakkboksen fremme og plasser pakkboksen fremme **15** og stempelstangpakningen **25** med enden først over nippelen. Sett *styrepinne for pakkboks fremme inn i bakenden av kroppen **2** og skyv pakkboksen fremme helt inn i hullet i kroppen. Moderat kraft er nødvendig for å sette inn pakkboksen fremme i kroppen, det kan være nødvendig å bruke en presse eller en skrustikke. Ta av *styrepinne for pakkboksen fremme og pass på at pakkboksen fremme holder seg på plass.
- Smør pakningssporet og utvendig hoveddiameter på stempelet **1** med Molykote® 111-smørefett. Skyv stempelpakningen **26** over fronten av hoveddiameter på stempelet og inn i pakningssporet.
- Skru *stempelkule – foran på stempelet **1**. Plasser *stempel pakningshylse over stempelstangen og sett ytre pakningsring på stempelpakningen **26** over *stempel pakningshylse slik at den hviler på den koniske diameteren. Smør overflaten på *stempel pakningshylse med Molykote® 111 smørefett.
- Sett *stempel pakningsføring over stempelstangen **1** og *stempel pakningshylse slik at den åpne enden av *stempel pakningsføring hviler på ytre pakningsring på stempelpakningen **26**. Bruk *stempel pakningsføring for å føre ytre pakningsring over *stempel pakningshylse og inn i stempelets pakningsspor. Moderat kraft er nødvendig for å ekspandere og sette inn ytre pakningsring på stempelet, det kan være nødvendig å bruke en presse eller en skrustikke.
- Fjern *stempel pakningsføring og *stempel pakningshylse fra stempelet **1**. Smør *stempelkule –front, stempelstang og stempelpakningen **26** med Molykote® 111-smørefett.
- Skru *stempelstyrehylsen helt inn i bakenden av kroppen **2**. Smør hullene i både kroppen og *stempelstyrehylsen med Molykote® 111 smørefett.
- Koble den ekstra *hurtigkoblingen – hunn, til hurtigkobling – hann **10** på hydraulikkslange – trekk **19**. Dette vil la luft slippe ut fra trekksiden av stempelet **1** når du setter inn stempelet.
- Sett det monterte stempelet **1** inn i bakenden av kroppen **2** og gjennom den monterte pakkboksen fremme **15**. Skyv stempelet inn i posisjon helt fremme til det stopper mot pakkboksen fremme. Hydraulikkolje vil støtes ut av hydraulikkslangen – trekk **19**. Moderat kraft er nødvendig for å sette stempelet inn i kroppen, så det kan være nødvendig å bruke en presse eller en skrustikke.
- Koble den ekstra *hurtigkobling – hunn, fra hurtigkobling – hann **10** på hydraulikkslangen – trekk **19**. Ta *stempelstyrehylsen av bakenden av kroppen **2**.
- Skyv o-ringene **30** over endehetten **17** og inn i det utvendige sporet. Sett inn spiralformet støtting **36** i samme spor, bak den monterte o-ringene. Se Generell montering og Deleliste for korrekt orientering av o-ring og spiralformet støtting.
- Press lagerringen bak **29** inn på den interne fordypningen i pakkboksen bak **16** og installer stempelstangpakningen **28** bak lagerringen bak. Installer avstrykerring **31** i den bakre fordypningen på pakkboksen bak. Se Generell montering for å sikre korrekt orientering av stempelstangpakningen og avstrykerringen.
- Klem fast verktøyhåndtaket i en skrustikke med myke kjeper slik at verktøyet peker med nesene ned.
- Smør overflaten og forkanten av **2** hullet i kroppen som pakkboksen bak **16** skal installeres i med Molykote® 111-smørefett.

Alle **uthevede** tall henviser til Generell montering og Deleliste på sidene 238, 239 og 240.

* Servicesett på side 234.

- Fyll bakenden av kroppen **2** med Enerpac® HF-hydraulikkolje. Oljenivået skal være rett over inntakshullet i kroppen.
- Koble den ekstra *hurtigkoblingen – hann, til hurtigkobling – hunn **11** på hydraulikkslange – retur **18**. Dette vil la luft slippe ut fra retursiden av stampelet **1** når du setter inn endehetten **17**.
- Smør både den innvendige gjengen i kroppen **2** og den utvendige gjengen på endehetten **17** med MolyLithium-smørefett.
- Sett inn endehetten **17** inn i bakenden av kroppen **2**, pass på å ikke skade O-ringen **30** og spiral backup-ringen **36** på gjengene på kroppen. Skru endehetten **17** helt inn i bakenden av kroppen ved hjelp av *endehette monteringsverktøy. Ved å gjøre det, vil en liten oljemengde støtes ut av hydraulikkslangen - retur **18**.
- Fjern den ekstra *hurtigkoblingen – hann, fra hurtigkobling – hunn **11** på den hydrauliske slangen – retur **18**.
- Skru krageadapteren **40** på stampelet **1** til frontplaten er plan med enden av stampelet. Rett inn hullet krageadapteren med sporet i enden av stampelet og sett inn låsepinnen **41**.
- Forberede nagleverktøyet som beskrevet i Forberedelser for bruk på side 232.

Nesemodul:

- Ta ut de to skruene **9** fra slangeklemmen **13** med en 3,0 mm unbrakonøkkel. Ta av slangeklemmen og klemmeinnlegget **20** fra beskyttelseshetten **37** og hydraulikkslangene - retur **18** og trekk **19**.
- Bruk en liten flat skrutrekker og vipp håndtakføringen **8** fra håndtaksdelene **2**. Trekk håndtakføringen over beskyttelseshylsen **37**, hydraulikkslanger - retur **18** og trekk **19** og ta av.
- Kutt kabelstripsen **35** og skyv beskyttelseshylsen **37** tilbake for å eksponere fittingene på hydraulikkslange **18** og **19**. Hydraulikkslangene kan tas av kroppen **2** med 12 mm og 14 mm nøkkel.
- Hurtigkobling - hann **10** og hunn **11** kan tas av hydraulikkslange **18** og **19** med nøkler på 18 mm og 24 mm.
- Fjern avtrekker-bryter **7**, løsne først kabelmuttere **38**, slik at kontrollkabel **14** kan bevege seg fritt i kroppen **2**. Ta deretter av M4 stillskrue **12** med en 2,0 mm unbrakonøkkel.
- Skyv kontrollkabelen **14** inn i kroppen **2** og trykk samtidig avtrekker-bryter **7** ut loddeskjøtene på avtrekker-bryterens kontakter. Lodde av kontaktene for å ta av avtrekker-bryter og avtrekker-innsatsen **39**. Avtrekker-innsatsen er limt til avtrekker-bryteren og kan ikke tas av.
- Kontrollkabelen **14** kan nå trekkes fra kroppen **2** og tas ut av beskyttelseshylsen **37**.

Monter i motsatt rekkefølge og pass på av følgende punkter:

- Før montering, rengjør alle gjenger på hurtigkobling – hann **10** og hunn **11** og hydraulikkslange – Retur **18** og Trekk **19**. Påfør deretter tre lag av 10 mm PTFE-tape på hanningene på begge hydraulikkslanger.
- Når du skifter av avtrekker-bryter **7** påfør *Loctite® 243 på gjengene på avtrekker-bryteren for montering av avtrekker-innsatsen **39**.
- Bruk *Loctite® 243 på M4 settskruen **12** før montering.
- Etter montering, forberede verktøyet i henhold til instruksene på side 232.

5.8 MILJØVERN

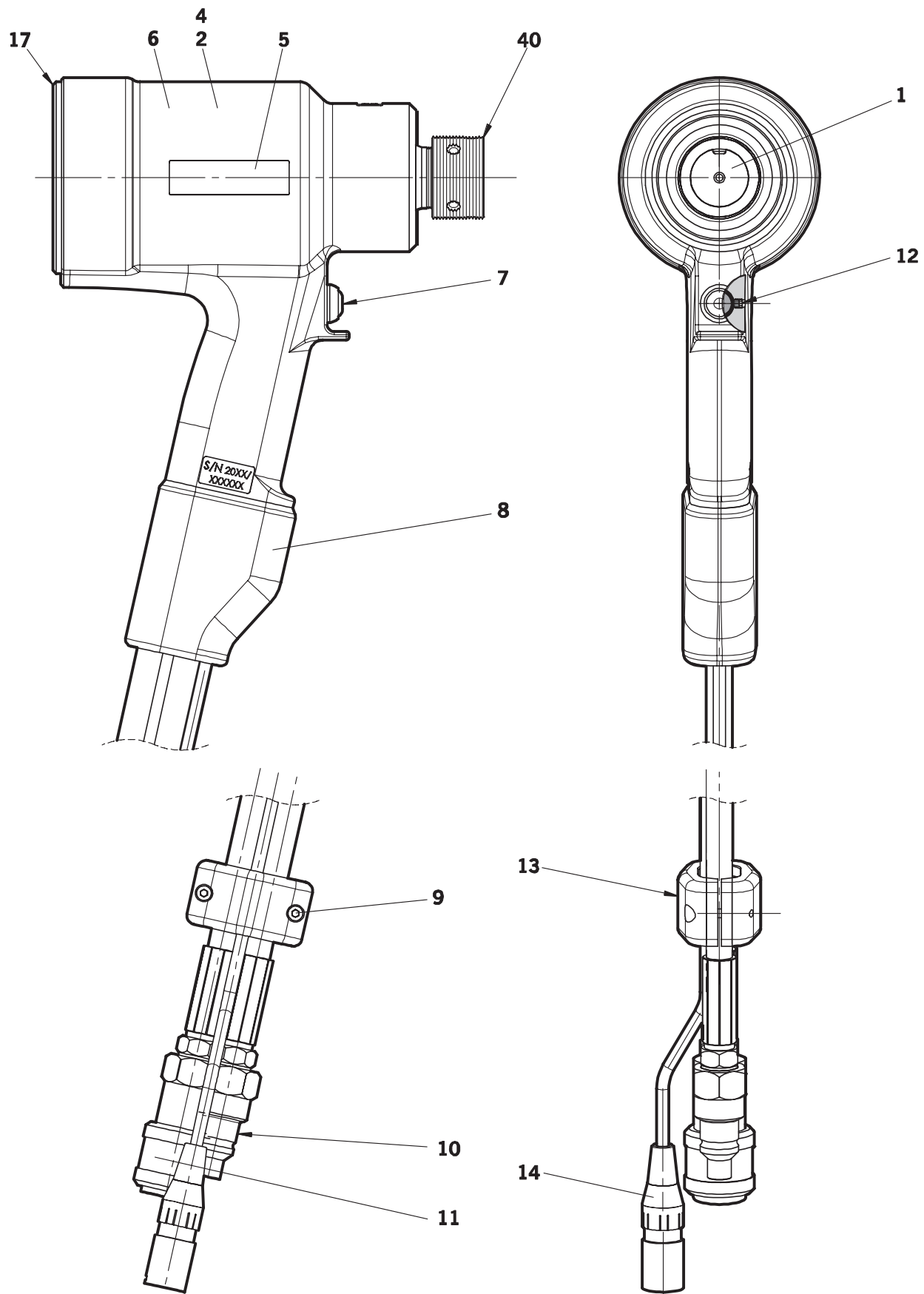
- Forsikre deg om samsvar med gjeldende forskrifter for avhending. Avhende alt avfall via godkjent avfallshåndtering eller retursted for å unngå at personell og miljø eksponeres for fare.

Alle **uthevede** tall henviser til Generell montering og Deleliste på sidene 238, 239 og 240.

* Servicesett på side 234.

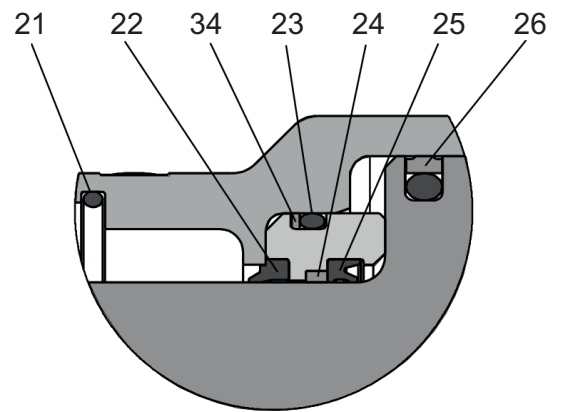
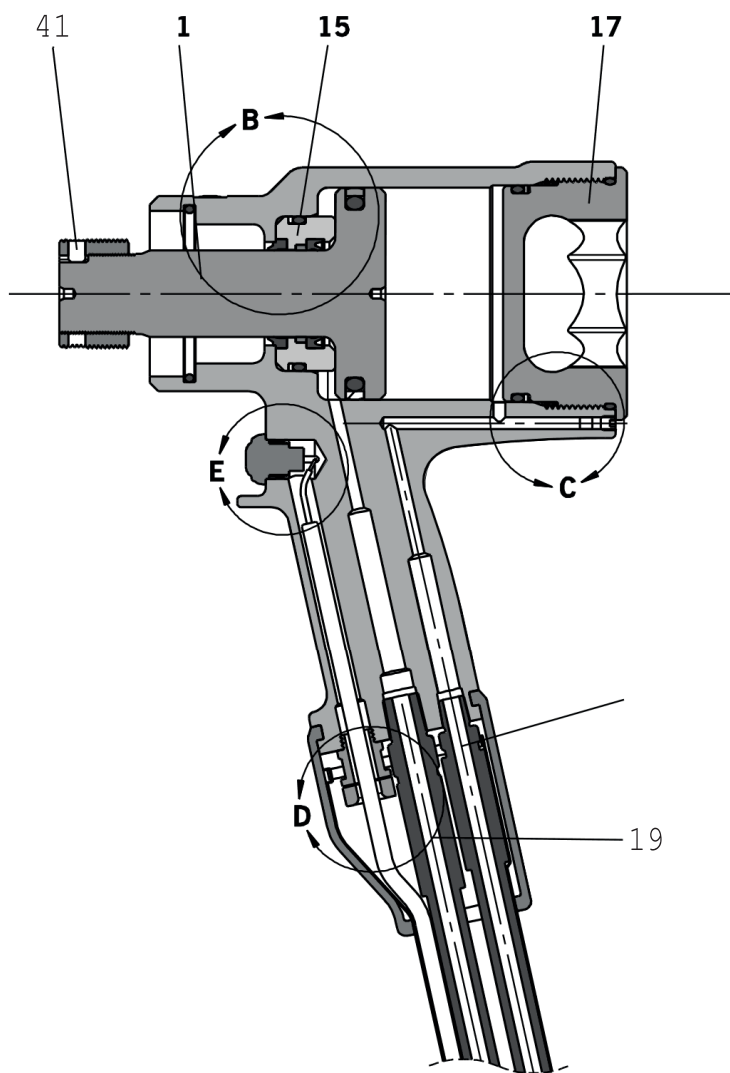
6. GENERELL MONTERING OG LISTE OVER DELER

6.1 GENERELL MONTERING

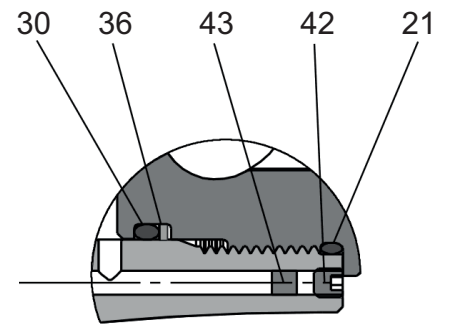


ITEM 37 PROTECTIVE SLEEVE
REMOVED FOR CLARITY

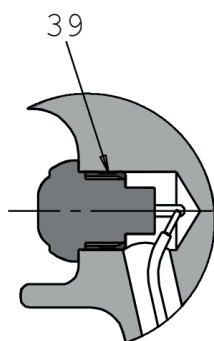
ITEM 37 PROTECTIVE SLEEVE
REMOVED FOR CLARITY



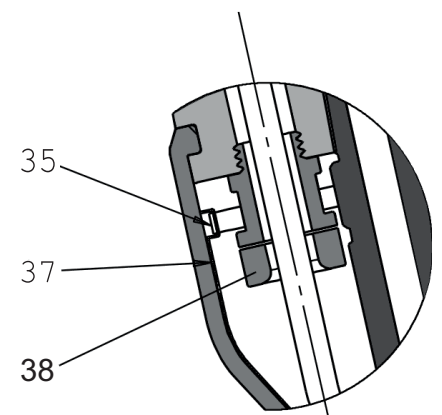
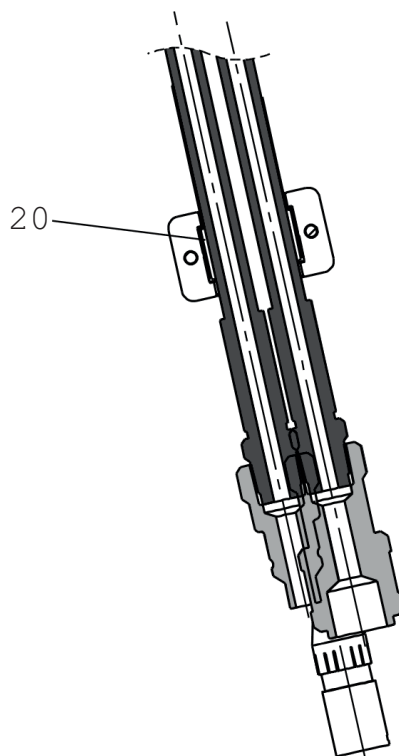
DETAIL B



DETAIL C



DETAIL E



DETAIL D

6.2 DELELISTE

73432-02000 Deleliste			
PUNKT	DELENUMMER	BESKRIVELSE	ANT.
1	73434-02003	STEMPEL	1
2	73434-02001	KROPP	1
3			
4	73425-02016	SIKKERHETSETIKETT	1
5	73434-02026	AV30 ETIKETT	2
6	07007-01504	CE & UKCA ETIKETT	1
7	07007-02103	AVTREKKER-BRYTER	1
8	73430-02020	HÅNDTAKFØRING	1
9	07001-00686	M4 X 16 SKT HETTE HD SKRUE	2
10	07005-10118	HURTIGKOBLING – HANN	1
11	07005-10120	HURTIGKOBLING – HUNN	1
12	07001-00479	M4 X 4 SKT SETTSKRUE	1
13	73430-02023	SLANGEKLEMME	1
14	07007-02105	KONTROLLKABEL	1
15	73434-02004	PAKKBOKS FREMME	1
16			
17	73434-02005	ENDEHETTE	1
18	07005-10119	HUDRAULISK SLANGE – RETUR	1
19	07005-10117	HUDRAULISK SLANGE – TREKK	1
20	73430-02024	KLEMMEINNLEGG	1
21	07003-00463	O-RING	2
22	07003-00452	AVSTRYKERRING	1
23	07003-00461	O-RING	1
24	73434-02009	LAGERRING FORAN	1
25	07003-00451	STEMPELSTANGPAKNING	1
26	07003-00453	STEMPELPAKNING	1
27			
28			
29			
30	07003-00464	O-RING	1
31			
32			
33			
34	07003-00494	SPIRAL BACKUP-RING	1
35	07007-02032	KABELKLIPS	1
36	07003-00496	SPIRAL BACKUP-RING	1
37	07005-10121	BESKYTTELSESHYLSE	0,6m
38	07007-02104	KABELMUTTER	1
39	73430-02008	AVTREKKER-INNSATS	1
40	73434-02012	KRAGEADAPTER	1
41	73434-02013	LÅSEPINNE	1
42	07001-00481	M5 X 5 SKT SETTSKRUE	1
-	07900-01022	AV30 VERKTØYBRUKSANVISNING	1

7. SIKKERHETSDATA

7.1 ENERPACE® HF HYDRAULISK OLJE – SIKKERHETSDATA

FØRSTEHJELP

HUD:

Vil sannsynligvis ikke være skadelig for hud ved kort og tilfeldig kontakt, men langvarig utsettelse kan føre til betent hud. Vask huden grundig med såpe og vann så snart som mulig. Fjern klær som er svært forurenset og vask huden under.

MUNN:

Vil sannsynligvis ikke være skadelig ved svelging av små doser, men større mengder kan føre til kvalme og diaré. Hvis munnen blir kontaminert, må den vaskes grundig med vann. Med mindre det gjøres med overlegg, er inntak av store mengder av produktet usannsynlig. Hvis dette skjer, må vedkommende ikke prøve å spy, men søke medisinsk hjelp. Ta personen til nærmeste sykehus/legevakt.

ØYNE:

Vil sannsynligvis ikke føre til mer enn midlertidig svie eller rødhet hvis det oppstår utilsiktet kontakt med øyne. Vask øynene grundig med store mengder vann, og sørg for at øyelokkene er åpne. Få medisinsk hjelp hvis smerte eller rødhet utvikler seg eller varer lenge.

MEDISINSKE RÅD:

Behandlingen bør generelt sett være symptomorientert og rettet mot å lindre eventuelle effekter.

Merk: Bruk under høyt trykk:

Injisering gjennom huden som resultat av kontakt med produktet under høyt trykk, utgjør et stort medisinsk nødstilfelle. Skader kan kanskje fremstå som lite alvorlige i begynnelsen, men innen noen timer vil vev hovne opp, misfarges og bli ekstremt smertefulle med omfattende vevssvinn i underhuden.

Kirurgisk undersøkelse må utføres så fort som mulig. Grundig og omfattende fjerning av dødt vev i såret og underhuden er nødvendig for å minimere tapssvinn og forhindre eller begrense permanent skade. Merk at høyt trykk kan tvinge produktet gjennom et betydelig antall vevslag.

AVHENDIG

Fjern alt søl med inerte, absorberende materialer. Ventiler området der sølet oppstod. Plasser forurensete materialer i en beholder som kan kastes og kast i henhold til lokale forskrifter.

BRANN

FLAMMEPUNKT: 200 °C.

Slukk enten med tørre kjemikalier, skum eller karbondioksid. Ikke gå inn i et trang rom uten et frittstående pusteapparat.

HÅNTERING

Bruk barriere krem eller oljebestandige hansker.

OPPBEVARING

Tildekket og i henhold til lokale regler om brannfarlige stoffer.

7.2 MOLYLITHIUM SMØREFETT EP 3753 – SIKKERHETSDATA

Smørefett kan bestilles som en enkel artikkel, delenummeret finner du under info om servicesettet, side 234.

FØRSTEHJELP

HUD:

Siden smørefettet er helt motstandsdyktig mot vann, er det best å fjerne det ved hjelp av et godkjent emulgerende hudrensemiddel.

SVELGING:

Forsikre deg om at personen drikker 30 ml "Magnesia" (magnesiumkarbonat), helst i et glass melk.

ØYNE:

Irriterende men ikke skadelig. Skyll med vann og søk medisinsk hjelp.

BRANN

FLAMMEPUNKT: Over 220°C.

Ikke klassifisert som brannfarlig.

Egnede slökkingsmidler: CO₂, Halon eller vanntåke dersom påført ved hjelp av en erfaren operatør.

MILJØ

Samle opp for brenning eller avhending på godkjent mottakssted.

HÅNTERING

Bruk barrierekrem eller oljebestandige hansker

OPPBEVARING

Unna varme og oksiderende stoffer.

7.3 MOLYKOTE® 111 SMØREFETT – SIKKERHETSDATA

Smørefett kan bestilles som en enkel artikkel, delenummeret finner du under info om servicesettet, side 234.

FØRSTEHJELP

HUD:

Førstehjelp er neppe nødvendig.

SVELGING:

Førstehjelp er neppe nødvendig.

ØYNE:

Førstehjelp er neppe nødvendig.

INNÅNDING:

Førstehjelp er neppe nødvendig.

BRANN

FLAMMEPUNKT: Over 101,1°C. (lukket)

Ekspløsjonsegenskaper: Nei

Egnede slökkingsmidler: Karbondioksidskum, tørt pulver eller fin vanntåke. Vann kan brukes for å kjøle ned brannutsatte beholdere.

MILJØ

Ingen negative effekter kan forventes.

HÅNTERING

Generell ventilasjon anbefales. Unngå øyekontakt.

OPPBEVARING

Skal ikke lagres i nærheten av oksiderende stoffer. Hold containeren lukket og oppbevar den unna vann eller fuktighet.

8. FEILDIAGNOSE

SYMPTOM	MULIG ÅRSAK	UTBEDRING	SIDEREFERANSE
Popnagleverktøyet fungerer ikke	Pumpeenhet fungerer ikke	Sjekk strømforsyning på pumpen og se pumpeenhetens bruksanvisning	
	Feil ved hurtigkoblinger 10 og 11	Skift ut hurtigkoblingene	237
	Avtrekker kontrollkabel 14 ikke korrekt tilkoblet	Sjekk at kontrollkabelen er korrekt tilkoblet på pumpen og nagleverktøyet	232
Avtrekkerbryteren 7 fungerer ikke	Defekt avtrekkerbryter 7 eller kontrollkabel 14	Skift ut avtrekkerbryter og/eller kontrollkabel	237
	Pumpe i lokal modus	Se pumpens bruksanvisning	
	Skadet avtrekkerbryter 7 eller kontrollkabel 14	Skift ut avtrekkerbryter og/eller kontrollkabel	237
Pumpen går, men nagleverktøyet fungerer ikke	Hydraulikkslanger ikke tilkoblet	Sjekk korrekte tilkoblinger på pumpen og popnagleverktøyet	232
	Lavt oljenivå	Forsikre deg om at nagleverktøyet er fylt med olje og korrekt forberedt Se pumpens bruksanvisning	232
	Nagleverktøy ekstern oljelekkasje	Inspiser nagleverktøyet – skift ut slitte eller skadede komponenter	235 - 237
	Slangemodul ekstern oljelekkasje	Inspiser slangemodulen – forsikre deg om at slangekoblingene er tette, skift ut skadede slangekoblinger	237
	Pumpe intern/ekstern oljelekkasje	Se pumpens bruksanvisning	
Nagleverktøyet fungerer uberegnelig	Lavt eller feilaktig trykk i hydraulikkforsyningen	Se pumpens bruksanvisning	
	Slitte eller skadede hydraulikkpakninger i nagleverktøyet	Inspiser nagleverktøyet – skift ut slitte eller skadede pakninger	235 - 237
	Slitte eller skadede hydraulikkpakningsflater i nagleverktøyet	Inspiser nagleverktøyet – skift ut slitte eller skadede komponenter	235 - 237
	Pumpe intern/ekstern oljelekkasje	Se pumpens bruksanvisning	
Pumpen bygger opp fullt trykk, men full naglekjernen knekker ikke av	Knekklast større enn nagleverktøyet's kapasitet ved fullt trykk	Se spesifikasjonene for nagleverktøyet	229
	Flow til nagleverktøyet blokkert	Sjekk at hurtigkoblingene 10 og 11 er helt satt inn	232
	Pumpens trykkavlastningsventil innstilt for lavt	Juster innstilling av trykkavlastningsventil – se pumpens bruksanvisning	
	Trekkspor på naglekjernen stripes av	Se symptom på side 244	233
	Feilaktig bruk av verktøyet		233

SYMPTOM	MULIG ÅRSAK	UTBEDRING	SIDEREFERANSE
Stempel 1 på nagle- verktøyet går ikke tilbake	Returflow begrenset eller blokkert	Sjekk at hurtigkoblingene 10 og 11 er helt satt inn og/eller har feil	232
	Hydraulikkslanger ikke tilkoblet	Sjekk korrekte tilkoblinger på pumpen og popnagleverktøyet	232
	Feil ved pumpeventil	Se pumpens bruksanvisning	
	Pumpens returtimer feilaktig innstilt – for lavt innstilt	Juster innstilling av returtimer – se pumpens bruksanvisning	
Nagleverktøyet støter ikke ut kragen fra ambolten	Pumpens retur avlastningsventil innstilt for lavt	Juster innstilling av retur avlastningsventil – se pumpens bruksanvisning	
	Lavt eller feilaktig trykk i hydraulikkforsyningen	Se pumpens bruksanvisning	
	Slitte eller skadede hydraulikkpakninger i nagleverktøyet	Inspiser nagleverktøyet – skift ut slitte eller skadede pakninger	235 - 237
	Slitte eller skadede hydraulikkpakningsflater i nagleverktøyet	Inspiser nagleverktøyet – skift ut slitte eller skadede komponenter	235 - 237
Trekkspor på nagle- kjernen strippes av ved installasjon	Pumpe intern/ekstern oljelekkasje	Se pumpens bruksanvisning	
	Brukeren skyver ikke nesen helt inn på naglekjernen for bruk av verktøyet	Instruer brukeren om korrekt installasjonsmetode	233
	Feil naglelengde/holderlengde Slitte eller skadede kjevesegmenter	Bruk riktig nagle Sjekk og skift ut kjevesettet – se datablad for neseutstyr	233
	Rusk i kjevesegmenter og/eller kjernespor	Rengjør kjevesegmentene – se datablad for neseutstyr	
Avdelok® eller Av- bolt® krage ikke helt stuket	For stort gap mellom platene	Lukk gapet mellom platene	233
	Feilaktig bruk av verktøyet		233
Naglekjerne løsner ikke fra neseutstyret	Slitt ambolthull	Sjekk og skift ut ambolt – se datablad for neseutstyr	
	Feilaktig montering av neseutstyr	Se dataark for neseutstyr	
Nagleverktøyet og hydraulikkoljen blir varm	Forhindring i hydraulikklinjen	Sjekk de hydrauliske hurtigkoblingene 10 og 11 skift ut om nødvendig	237
	Høy omgivelsestemperatur		
Hydrauliske hurtig- koblinger 10 og 11 lekker olje	Slitt o-ring i kroppen på hurtigkobling 10	Skift ut o-ring og støttering i hurtigkobling 10	237

Alle tallene i **uthevet** henviser til Generell montering og Deleliste på sidene 238, 239 og 240.

* Servicesett på side 234.

9. EU-SAMSVARERKLÆRING

Vi, **Stanley Engineered Fastening, Stanley House, Works Road, Letchworth Garden City, Hertfordshire, SG6 1JY STORBRIANNIA**, erklærer på vårt eget ansvar at produktet:

Beskrivelse: AV30 HYDRO-ELEKTRISK ELEKTRISK VERKTØY

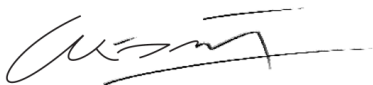
Modell: AV30 STRUKTURVERKTØY – 73434-02000

som denne erklæringen angår, er i samsvar med følgende standarder:

ISO 12100:2010	EN ISO 3744:2010
EN ISO 11202:2010	EN ISO 11148-1:2011
EN ISO 4413:2010	EN ISO 20643:2008+A1:2012
EN ISO 4414:2010	ES100118-rev 17:2017
EN ISO 28927-5:2009+A1:2015	

Den tekniske dokumentasjonen er utformet i samsvar med vedlegg 1, avsnitt 1.7.4.1, i henhold til følgende direktiv: **2006/42/EU Maskindirektivet** (Engelske forskrifter 2008 No 1597 - The Supply of Machinery (Safety) Regulations).

Undertegnede erklærer dette på vegne av STANLEY Engineered Fastening



A. K. Seewraj

Director of Engineering, UK

Avdel UK Limited, Stanley House, Works Road, Letchworth Garden City, Hertfordshire,
SG6 1JY UNITED KINGDOM

Utgivelsessted: Letchworth Garden City, UK

Utgivelsesdato: 12-12-2011

Undertegnede er ansvarlig for sammenstilling av den tekniske dokumentasjonen for produkter som selges i EU/EØS og avgir denne erklæringen på vegne av Stanley Engineered Fastening.

Matthias Appel

Team Leader Technical Documentation

Stanley Engineered Fastening, Tucker GmbH, Max-Eyth-Str.1,
35394 Gießen, Tyskland



Dette utstyret er i samsvar med
Maskindirektivet 2006/42/EU

STANLEY
Engineered Fastening

10.SAMSVARERKLÆRING (UK)

Vi, **Stanley Engineered Fastening, Stanley House, Works Road, Letchworth Garden City, Hertfordshire, SG6 1JY STORBRIANNIA**, erklærer på vårt eget ansvar at produktet:

Beskrivelse: AV30 HYDRO-ELEKTRISK ELEKTRISK VERKTØY

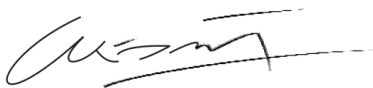
Modell: AV30 STRUKTURVERKTØY – 73434-02000

som denne erklæringen angår, er i samsvar med følgende standarder:

ISO 12100:2010	EN ISO 3744:2010
EN ISO 11202:2010	EN ISO 11148-1:2011
EN ISO 4413:2010	EN ISO 20643:2008+A1:2012
EN ISO 4414:2010	ES100118-rev 17:2017
EN ISO 28927-5:2009+A1:2015	

Den tekniske dokumentasjonen er utformet i samsvar med Maskindirektivet (sikkerhet) 2008, S.I. 2008/1597 (med tillegg).

Undertegnede erklærer dette på vegne av STANLEY Engineered Fastening



A. K. Seewraj

Director of Engineering, UK

Avdel UK Limited, Stanley House, Works Road, Letchworth Garden City, Hertfordshire,
SG6 1JY UNITED KINGDOM

Utgivelsessted: Letchworth Garden City, UK

Utgivelsesdato: 12-12-2011



Dette utstyret er i samsvar med
Maskindirektivet (sikkerhet) 2008,
S.I. 2008/1597 (med tillegg)

11. BESKYTT INVESTERINGEN DIN!

Stanley® Engineered Fastening POPNAGLEVERKTØY GARANTI

STANLEY® Engineered Fastening garanterer at alle verktøy er nøyaktig produsert og er frie for defekter som skyldes materiale eller produksjonsarbeid, ved normal bruk og vedlikehold i en periode på ett (1) år.

Denne garantien gjelder kun for den opprinnelige kjøperen av verktøyet.

Unntak:

Normal bruksslitasje.

Periodisk vedlikehold, reparasjon og skifte av reservedeler på grunn av normal slitasje, dekkes ikke av garantien.

Feilbruk og misbruk.

Defekter eller skader som skyldes feilaktig bruk, feilaktig lagring, misbruk, uhell eller forsømmelse så som fysiske skader, dekkes ikke av garantien.

Uautorisert vedlikehold og endringer.

Defekter eller skader som skyldes service, testing, justering, installasjon, vedlikehold, endringer eller modifikasjoner på noen som helst måte av andre enn STANLEY® Engineered Fastening, eller et autorisert servicesenter, dekkes ikke av garantien.

Alle andre garantier, enten uttalte eller implisitte, inkludert garanti for salgbarhet eller egnethet for et spesielt formål, er herved ekskludert.

Dersom dette verktøyet svikter i garantiperioden, send det straks til ditt nærmeste autoriserte servicesenter. For en liste av STANLEY® Engineered Fastening autoriserte servicesentere i USA eller Canada, kontakt oss på gratis telefon (877)364 2781.

Utenfor USA og Canada, se vår nettside **www.StanleyEngineeredFastening.com** for å finne din nærmeste STANLEY Engineered Fastening-representant.

STANLEY Engineered Fastening vil så skifte ut, uten noen kostnad, en del eller deler som vi finner å være defekt på grunn av feil ved materiale eller produksjon, og returnerer verktøyet uten kostnad. Dette er vår eneste forpliktelse under denne garantien.

Under ingen omstendighet skal STANLEY Engineered Fastening være ansvarlig for andre følgeskader eller spesielle skader som følger av kjøp eller bruk av dette verktøyet.

Registrer ditt popnagleverktøy online.

For å registrere garantien online, besøk oss på <https://www.stanleyengineeredfastening.com/support/warranty-registration-form>

Takk for at du valgte et verktøy av merket STANLEY® Engineered Fastening's Stanley Assembly Technologies.

©2019 STANLEY Black & Decker. Alla rättigheter förbehållna.

Informationen som tillhandahålls får inte på reproduceras och/eller göras offentlig på något sätt eller med några metoder (elektroniskt eller mekaniskt) utan exklusivt skriftligt tillstånd dessförinnan från STANLEY Engineered Fastening. Informationen som tillhandahålls baseras på data som är kända vid tidpunkten för introduktionen av denna produkt. STANLEY Engineered Fastening har en policy med kontinuerliga produktförbättringar och produkterna kan därför förändras. Informationen som är tillämplig för produkten tillhandahålls av STANLEY Engineered Fastening. Därför kan inte STANLEY Engineered Fastening hållas ansvariga för skador som uppstår som följd av ändringar från originalspecifikationerna för produkten.

Den tillgängliga informationen har sammansatts med yttersta noggrannhet. Emellertid påtar sig inte STANLEY Engineered Fastening något ansvar beträffande fel i informationen eller för konsekvenser därav. STANLEY Engineered Fastening påtar sig inget ansvar för skador som uppstår från aktiviteter som utförs av tredje part. Arbetsnamnen, varumärkesnamnen, registrerade varumärken etc. som används av STANLEY Engineered Fastening skall inte betraktas som fria utan används i enlighet med lagstiftningen som gäller för skydd av varumärken.

INNEHÅLL

1. SÄKERHETSDEFINITIONER	250
1.1 ALLMÄNNA SÄKERHETSFORESKRIFTER	250
1.2 PROJEKTILRISKER	250
1.3 DRIFTRISKER.....	251
1.4 RISKER VID REPETITIVA RÖRELSER	251
1.5 TILLBEHÖRSRISKER.....	251
1.6 RISKER PÅ ARBETSPLATSEN	251
1.7 BULLERRISKER	252
1.8 VIBRATIONSRIKSKER	252
1.9 YTTERLIGARE SÄKERHETSINSTRUKTIONER FÖR HYDRAULISKA ELVERKTYG.....	252
2. SPECIFIKATIONER	253
2.1 AVSEDD ANVÄNDNING.....	253
2.2 VERTYGSSPECIFIKATION	253
2.3 VERKTYGSMÅTT	254
3. IDRIFTTAGNING	255
3.1 DRIFT	255
3.2 FÖRBEREDELSE FÖR ANVÄNDNING.....	256
4. BRUKSANVISNING	257
4.1 INSTALLATION AV AVBOLT®-FÄSTELEMENT	257
4.2 INSTALLATION AV AVDELOK® XT FÄSTELEMENT	257
5. SERVICE AV VERKTYGET	258
5.1 DAGLIG SERVICE	258
5.2 VECKOSERVICE	258
5.3 ÅRLIG SERVICE / EFTER VARJE 150 000 ANVÄNDNINGAR.....	258
5.4 SERVICEPAKET	258
5.5 SERVICEVERKTYG	258
5.6 HYDRAULOLJA	258
5.7 DEMONTERINGSANVISNINGAR	259
5.8 SKYDDA MILJÖN.....	261
6. ALLMÄN MONTERING OCH DELLISTA	262
6.1 ALLMÄN MONTERING	262
6.2 DELLISTA.....	264
7. SÄKERHETSDATA	265
7.1 ENERPACE® HF HYDRAULOLJA – SÄKERHETSDATA	265
7.2 MOLYLITHIUM FETT EP 3753 – SÄKERHETSDATA	265
7.3 MOLYKOTE® 111 FETT – SÄKERHETSDATA	266
8. FELSÖKNING	267
9. EU-FÖRSÄKRAN OM ÖVERENSSTÄMMELSE	269
10. UK FÖRSÄKRAN OM ÖVERENSSTÄMMELSE	270
11. SKYDDA DIN INVESTERING!	271



Denna bruksanvisning måste läsas av alla personer som installerar eller använder detta verktyg, med särskild uppmärksamhet på följande säkerhetsvarningar och instruktioner.



Använd alltid slagtåligt ögonskydd under drift av verktyget. Den skyddsgrad som krävs bör bedömas för varje användning.



Användning av verktyget kan utsätta operatörens händer för faror, inklusive krossning, stötar, skärsår och skador och värme. Använd lämpliga handskar för att skydda händerna.



Använd hörselskydd i enlighet med arbetsgivarens anvisningar och enligt kraven i arbetsmiljöreglerna.

1. SÄKERHETSDEFINITIONER

Nedanstående definitioner beskriver allvarlighetsgrad för varje signalord. Läs igenom manualen och uppmärksamma dessa symboler.



FARA: Indikerar en omedelbart farlig situation som, om den inte undviks, kommer att resultera i dödsfall eller allvarlig personskada.



VARNING: Indikerar en potentiellt riskfylld situation som, om den inte undviks, **skulle kunna** resultera i dödsfall eller allvarlig personskada.



FÖRSIKTIGHET: Indikerar en potentiellt farlig situation som, om den inte undviks, **kan** resultera i mindre eller medelmåttig personskada.



FÖRSIKTIGHET: Användande utan säkerhetslarmsymbolen indikerar en potentiellt farlig situation som, om den inte undviks, **kan** resultera i materiella skador.

Felaktig hantering eller underhåll av denna produkt kan resultera i allvarliga person- eller egendomsskador. Läs igenom och förstå alla varningar och driftinstruktioner innan denna utrustning används. Vid användning av elverktyg måste de grundläggande försiktighetsåtgärderna alltid följas för att minska risken för personskador.

SPARA ALLA VARNINGAR OCH INSTRUKTIONER FÖR FRAMTIDA REFERENS.

1.1 ALLMÄNNA SÄKERHETSFÖRESKRIFTER

- För flera faror, läs och förstå säkerhetsinstruktionerna innan du installerar, använder, reparerar, underhåller, byter tillbehör på eller arbetar nära verktyget. Om du inte gör det kan det leda till allvarlig kroppsskada.
- Endast kvalificerade och utbildade operatörer får installera, justera eller använda verktyget.
- Använd INTE för andra ändamål än den avsedda installationen STANLEY Engineered Fastening blindnitar.
- Använd endast delar, fästelement och tillbehör som rekommenderas av tillverkaren.
- Ändra INTE verktyget. Ändringar kan minska effektiviteten för säkerhetsåtgärder och öka riskerna för operatören. Alla modifieringar av verktyget som utförs av kunden är kundens ansvar och kommer att göra alla tillämpliga garantier ogiltiga.
- Släng inte säkerhetsinstruktionerna utan ge dem till operatören.
- Använd inte verktyget om det är skadat.
- Före användning, kontrollera felinställningar eller om rörliga delar har fastnat, bristning hos delar och andra eventuella förhållanden som kan komma att påverka verktygets funktion. Om det är skadat, se till att verktyget blir reparerat före användning. Ta bort inställningsnycklar eller skiftnycklar före användning.
- Verktyg ska inspekteras regelbundet för att verifiera att de värden och markeringar som krävs enligt denna del av ISO 11148 är läsligt utmärkta på verktyget. Arbetsgivaren/användaren ska kontakta tillverkaren för att få ersättningsmärkningsetiketter vid behov.
- Verktyget måste underhållas för att alltid vara driftsäkert och skall regelbundet kontrolleras om det finns skador och att det fungerar korrekt av utbildad personal. All demontering skall endast göras av utbildad personal. Demontera inte detta verktyg utan att först kontrollera underhållsinstruktionerna.

1.2 PROJEKTILRISKER

- Koppla bort verktyget från hydraulpumpen innan något underhåll eller några inställningar utförs, som t.ex. fastsättning eller borttagning av munstycke eller tillbehör.
- Tänk på att fel på arbetsstycket eller tillbehören, eller till och med det insatta verktyget självt kan generera projektiler med hög hastighet.

- Använd alltid slagttåligt ögonskydd under drift av verktyget. Den skyddsgrad som krävs bör bedömas för varje användning.
- Riskerna för andra bör också bedömas vid denna tidpunkt.
- Se till att arbetsstycket är ordentligt fastsatt.
- Kontrollera att skyddsanordningarna mot utskjutning av fästelement och/eller splintar är på plats och fungerar.
- Varna för eventuell utskjutning av splintar från verktygets framsida.
- Använd INTE ett verktyg som är riktad mot någon person (några personer).

1.3 DRIFTRISKER

- Användning av verktyget kan utsätta operatörens händer för faror, inklusive krossning, stötar, skärsår och skador och värme. Använd lämpliga handskar för att skydda händerna.
- Operatörer och underhållspersonal ska fysiskt kunna hantera verktygets bulk, vikt och kraft.
- Håll verktyget korrekt, var redo att motverka normala eller plötsliga rörelser och ha båda händerna tillgängliga.
- Se till att handtagen är torra, rena och fria från olja och fett.
- Behåll en balanserad kroppsposition och stå stadigt när du använder verktyget.
- Släpp start-och-stoppenheten vid störning av hydraulkällan.
- Använd endast smörjmedel som rekommenderas av tillverkaren.
- Kontakt med hydraulisk vätska skall undvikas. För att minimera risken för utslag skall huden sköljas noga om kontakt uppstår.
- Datablad om materialsäkerhet för alla hydrauliska oljor och smörjmedel finns tillgängligt på begäran från din verktygsleverantör.
- Undvik olämpliga ställningar eftersom det är troligt att dessa positioner inte tillåter motverkande av normal eller oväntad rörelse av verktyget.
- Om verktyget är fastsatt på en upphängningsanordning, se till att fastsättningen är säker.
- Se upp för risken för krossning eller klämning om munstycksutrustning inte är monterad.
- Använd INTE verktyget med höljet borttaget.
- Det måste finnas tillräckligt med utrymme för operatörens händer innan du går vidare.
- När verktyget bärs från en plats till en annan skall alltid händerna placeras undan från avtryckare för att undvika oavsiktligt aktivering.
- Missbruka INTE verktyget genom att låta det falla ned eller använda det som hammare.
- Försiktighetsåtgärder ska vidtas för att se till att förbrukade splintar inte utgör någon fara.

1.4 RISKER VID REPETITIVA RÖRELSER

- Vid användning av verktyget kan operatören uppleva obehag i händer, armar, axlar, nacke eller andra delar av kroppen.
- Vid användning av verktyget bör operatören anta en bekväm hållning och samtidigt stå stadigt för att undvika besvärliga eller obalanserade positioner. Operatören bör byta hållning under längre arbetsuppgifter; detta kan hjälpa till att undvika obehag och trötthet.
- Om operatören upplever symtom som ihållande eller återkommande obehag, smärta, pulserande känsla, värkande, stickningar, domningar, brännande känsla eller stelhet, bör dessa varningstecken inte ignoreras. Operatören ska berätta för arbetsgivaren och rådfråga kvalificerad vårdpersonal.

1.5 TILLBEHÖRSRISKER

- Koppla bort verktyget från hydraulisk och elektrisk matning innan montering eller avlägsnande av munstycksanordningen eller tillbehöret.
- Använd endast storlekar och typer av tillbehör och förbrukningsartiklar som rekommenderas av tillverkaren av verktyget; använd inte andra typer eller storlekar av tillbehör eller förbrukningsartiklar.

1.6 RISKER PÅ ARBETSPLATSEN

- De vanligaste orsakerna till arbetsplatsskador är halkning, snubbling och fall. Var medveten om hala ytor orsakade av användning av verktyget och även för risker för att snubbla som orsakas av luftledningen eller hydraulslangen.
- Rör dig med försiktighet i okända omgivningar. Det kan finnas dolda faror, till exempel el- eller andra ledningar.
- Verktyget är inte avsett för användning i potentiellt explosiva atmosfärer och är inte isolerat mot kontakt med elkraft.
- Se till att det inte finns några elektriska kablar, gasrör etc. som kan orsaka risk om de skadas av verktyget.
- Klä dig lämpligt. Bär inte lösa kläder eller smycken. Håll hår, kläder och handskar borta från delar i rörelse. Lösa kläder, smycken eller långt hår kan fastna i delar i rörelse.

- Försiktighetsåtgärder ska vidtas för att se till att förbrukade splintar inte utgör någon fara.

1.7 BULLERRISKER

- Exponering för höga ljudnivåer kan orsaka permanenta, inaktiverande hörselnedsättning och andra problem, till exempel tinnitus (ringer, surrar, visslar eller piper i öronen). Därför är riskbedömning och genomförande av lämpliga kontroller för dessa faror nödvändiga.
- Lämpliga kontroller för att minska risken kan inkludera åtgärder som dämpning av material för att förhindra att arbetsstycken "ringer".
- Använd hörselskydd i enlighet med arbetsgivarens anvisningar och enligt kraven i arbetsmiljöreglerna.
- Använd och underhåll verktyget enligt rekommendationen i bruksanvisningen, för att förhindra onödig ökning i ljudnivån.

1.8 VIBRATIONSRIKER

- Exponering för vibrationer kan orsaka skador på nerver och blodtillförsel i händer och armar.
- Använd varma kläder när du arbetar under kalla förhållanden och håll händerna varma och torra.
- Om du får domningar, stickningar, smärta eller blekning av huden i fingrar eller händer, sluta använda verktyget, berätta för din arbetsgivare och kontakta en läkare.
- Om möjligt, stöd vikten av verktyget i stativ, sträckare eller balans, eftersom ett lättare grepp då kan användas för att stödja verktyget.

1.9 YTTERLIGARE SÄKERHETSINSTRUKTIONER FÖR HYDRAULISKA ELVERKTYG

- Driftluftförsörjningen får inte överstiga 550 bar (8000 PSI).
- Olja under tryck kan orsaka allvarliga skador.
- Montera inte flexibla hydraulslangar med ett arbetstryck på mindre än 700 bar (10 000 PSI) vid en flödes hastighet på 2,73 l/min (200 på 3 min).
- Lämna ett verktyg utan tillsyn. Koppla bort hydraulslangen och den elektriska kabeln från pumpenheten när verktyget inte används, innan du byter tillbehör eller vid reparationer.
- Vippande slangar kan orsaka allvarliga skador. Kontrollera alltid om det finns skadade eller lösa slangar och fästen.
- Före användning, inspektera hydraulslangarna för skador, alla hydrauliska anslutningar måste vara rena, helt inkopplade och täta före användning. Låt inga tunga föremål falla ned på slangarna. Ett hårt slag kan leda till inre skador och leda till att slangen går sönder i förtid.
- När universella vridkopplingar (klokopplingar) används, ska låspinnar installeras och säkerhetsvagnar för whipcheck användas för att skydda mot eventuellt slanganslutningsfel.
- Lyft INTE verktyget i slangen eller i elkabeln. Använd alltid verktygets handtag.
- Dra eller flytta INTE den hydrauliska pumpenheten med slangarna. Använd alltid pumpenhetens handtag eller rullbur.
- Håll smuts och främmande föremål undan från det hydrauliska systemet eftersom verktyget kan få funktionsfel.
- Använd endast ren olja och påfyllningsutrustning.
- Endast rekommenderade hydraulvätskor får användas.
- Kraftaggregat kräver ett fritt flöde av luft för kylningsändamål och ska därför placeras i ett väl ventilerat område utan farliga ångor.
- Hydraulvätskans maximala temperatur vid inloppet är 110 °C (230 °F).

STANLEY Engineered Fastening policy strävar mot kontinuerlig produktutveckling och vi förbehåller oss rätten att ändra specifikationen för någon produkt utan vidare meddelande.

2. SPECIFIKATIONER

2.1 AVSEDD ANVÄNDNING

AV™ 30 är installationsverktyg är huvudsakligen en kolv- och cylinderanordning. När det är kopplat hydrauliskt och elektriskt till en kompatibel hydraulisk kraftkälla och den lämpliga munstycksanordningen är ansluten kan den användas för att placera 1/2-tums till 5/8-tums Avbolt® och 1/2-tums till 3/4-tums Avdelok® XT i industriella miljöer.

Appliceringsverktyget och den hydrauliska pumpenheten får endast användas i enlighet med bruksanvisningen för att placera Stanley Engineered Fastening strukturnitar.

Se tabellen nedan för en lista över tillämpliga fästelement och tillhörande munstycksutrustning. Se datablad som anges i tabellen för de relevanta instruktionerna för munstycksmontering.

Använd **INTE** under våta förhållanden eller i närheten av lättantändliga vätskor eller gaser.

FÄSTELEMENT		MUNSTYCKSMONTERING			MUNSTYCKSMONTERING DATABLAD
TYP	STORLEK	ARTIKELNUMMER	MÅTT "A"	MÅTT "B"	ARTIKELNUMMER
AVBOLT®	1/2"	73412-03600	113mm	43mm	07900-00905
	5/8"	73412-03400	113mm	52mm	07900-00905
AVDELOK® XT	1/2"	73412-03100	113mm	43mm	07900-00919
	5/8"	73412-03200	115mm	48mm	07900-00919
	3/4"	73412-03300	134mm	56mm	07900-00919

*Munstycksmontering med käftfrigöring.

Se illustrationen på sidan 254 för identifiering av nosmonteringsmåten "A" och "B".

Säkerhetsinstruktionerna måste alltid följas.

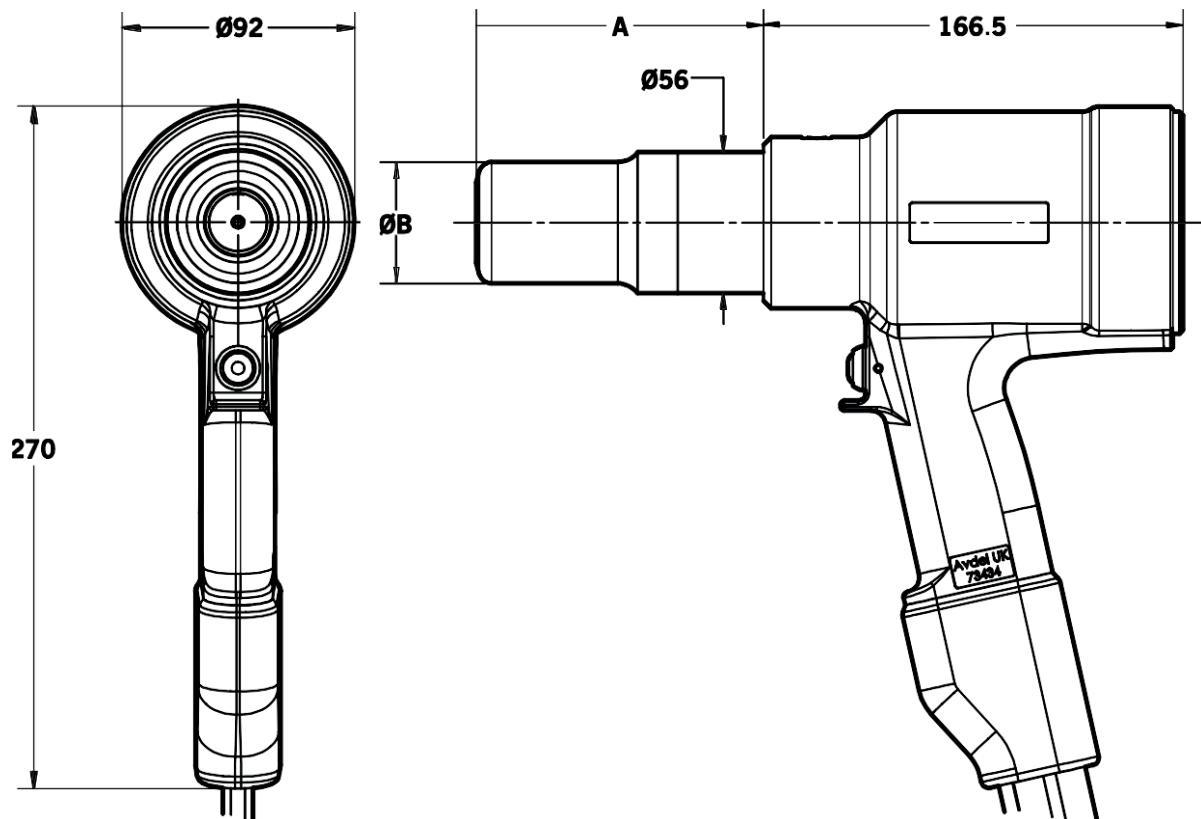
2.2 VERTYGSSPECIFIKATION

SPECIFIKATIONER		METRISK	IMPERISK
Force:	Drag vid angiven dragkraft	175,0 kN	39341,0 lbf
	Tryck av vid angivet returtryck	80,0 kN	17985,0 lbf
Tryck:	Dra	510 bar	7397 PSI
	Retur	200 bar	2901 PSI
Slaglängd:	Kolvslagslängd	41,0mm	1,61 tum
Vikt:	Utan nosutrustning	6,9 kg	15,3 lb
Hydraulolja:	Enerpac® hydraulolja – HF-95X		
Produktserie:	Avbolt®	12,7 till 15,9 mm	1/2 till 5/8
	Avdelok® XT	12,7 till 19,1 mm	1/2 till 3/4
Ytterligare funktioner:	Spindelutkast – fram eller bak	Fram	
	Tätningssarrangemang	Lip & Wiper-tätningar	
	Hydrauliska lagerringar	Ja - fram	
	Skyddshandtag / slanggator	Ja	
	Skyddsslangskydd	Ja	
	Slang / slangklämmor	Ja	

Bullervärden i enlighet med bullertestkod ISO 15744 och ISO 3744.		AV30
A-vägd ljudeffektnivå dB(A), L_{WA}	Osäkerhet buller: $k_{WA} = 3,0$ dB(A)	94,3 dB(A)
A-viktad utsläppsljudnivå vid arbetsstationen dB(A), L_{pA}	Osäkerhet buller: $k_{pA} = 3,0$ dB(A)	83,3 dB(A)
C-viktad topputsläpp ljudtrycksnivå dB(C), L_{pC} , topp	Osäkerhet buller: $k_{pC} = 3,0$ dB(C)	128,1 dB(C)

Vibrationsvärden i enlighet med vibrationstestkod ISO 20643 och ISO 5349.		AV30
Vibrationsemissionsnivå, a_{hd}	Osäkerhet vibration: $k = 0,48$ m/s ²	0,952 m/s ²
Deklarerade vibrationsemissionsvärden i enlighet med EN 12096		

2.3 VERKTYGSMÅTT



Alla mått visas i millimeter.

Se illustrationen på sidan 253 för identifiering av munstycksmonteringsmåten "A" och "B".

Verktuget är utrustat med två hydraulslangar och en elektrisk styrkabel, 0,6 m lång. Ytterligare hydraulslangar och kabel-förlängningslängder finns att beställa separat efter behov. Se tabellen nedan för en lista över slanglängder och tillhörande artikelnummer.

HYDRAULSLANGSENHET	
ARTIKELNUMMER	SLANGENS LÄNGD
07008-00448	5 meter
07008-00449	10 meter
07008-00450	15 meter

3. IDRIFTTAGNING

3.1 DRIFT

VIKTIGT – LÄS BÅDE SÄKERHETSINSTRUKTIONERNA PÅ SIDORNA 250 – 252 OCH PUMPENHETSINSTRUKTIONSHANDBOKEN NOGA INNAN IDRIFTTAGNING.

När både slangar och styrkabel är anslutna till Avdel® / Enerpac® hydraulisk pump kontrolleras drag- och returcyklerna av avtryckaren som är placerad i handtaget och som trycks in och släpps.

När omkopplaren är nedtryckt spänns magnetventilen, placerad i den hydrauliska pumpenheten, och leder trycksatt oljeflöde till kolvens dragkantsida i appliceringsverktyget. Detta gör att oljan i appliceringsverktygets återgångssida återgår till behållaren.

Under dragcyklerna rör sig kolven/spännaggregatet mot verktygets baksida, vilket gör att kudden av o-ringstyp kan trycka följaren och käftarna framåt. Om ett fäststift har satts in i munstycksmonteringen kommer käftsetet att klämma fast på nålen och enheten kommer att starta.

För Avbolt® och Avdelok® XT kommer installationscykeln först att klämma fast fogen som ska fästas och sedan när städet fortsätter att gå framåt kommer kragen att svängas in i låsspåren på stiftet. I slutet av svängningscykeln kommer städet att komma upp mot fogen och när rörelsen fortsätter kommer nålen att brytas av.

Avtryckaren ska släppas omedelbart efter det att stiftet bryts. Släppning av avtryckaren leder till att magnetventilen släpper energin och vänder flödet av trycksatt olja.

Om avtryckaren inte släpps fortsätter kolven att röra sig mot verktygets baksida tills den når slutet av sitt slag. Trycket i dragsidan kommer då att öka tills ett förinställt "högt tryck"-värde uppnås vid pumpen. Vid denna tidpunkt stänger magnetventilen automatiskt av energin och vänder flödet av trycksatt olja till retursidan av appliceringsverktyget.

I båda fallen kommer trycksatt olja nu att strömma in i retursidan av appliceringsverktyget, med oljan i dragsidan tillbaka till behållaren.

Kolvens/spännaggregatets framåtrörelse kommer att mata ut det installerade fästelementet från städet.

Vid tidpunkten för att frigöra avtryckaren eller när värdet "Högt tryck" uppnås kommer magnetventilen att slås ur och aktivera en förinställd "Returtimer". Detta styr tiden för att pumpmotorn ska fortsätta köras innan den växlar till viloläge. Timern kan ställas in manuellt mellan 5 och 20 sekunder för att säkerställa att appliceringsverktygets kolv alltid återgår till framläget (se pumpens bruksanvisning 07900-01030, sida 10 och 13).

När kolven återgår till helt framåtläge ökar trycket till förinställt lågt tryckvärde – c200 bar. Pumpmotorn fortsätter att gå tills returtimern har gått ut. Efter denna tidsperiod stannar motorn automatiskt och ventilen växlar till tomgångsläge. Magnetventilen cyklar sedan automatiskt för att släppa trycksatt olja till behållaren från både drag- och retursidan av appliceringsverktyget.

Detta håller installationsverktyget i framåtriktad position. Inget tryck kommer att finnas i det hydrauliska systemet vid denna punkt.

Den hydrauliska pumpenheten startar automatiskt vid nedtryckning av verktygsavtryckaren.

3.2 FÖRBEREDELSE FÖR ANVÄNDNING

FÖRSIKTIGHET – RÄTT DRAG- OCH RETURTRYCK ÄR VIKTIGT FÖR KORREKT FUNKTION AV FÄSTVERKTYGET. PERSONSKADOR ELLER SKADOR PÅ UTRUSTNINGEN KAN UPPSTÅ VID FEL TRYCK. DRAG- OCH RETURTRYCKET SOM TILLHANDAHÅLLS AV DEN HYDRAULISKA PUMPHETEN FÅR INTE ÖVERSTIGA DE TRYCK SOM ANGES I SPECIFIKATIONEN FÖR APPLICERINGSVERKTYGET.

VIKTIGT – INNAN DU SÄTTER APPLICERINGSVERKTYGET OCH HYDRAULSLANGEN I DRIFT:

SE TILL ATT PUMPENS TRYCKAVLASTNINGSVENTILER HAR STÄLLTS IN I ENLIGHET MED PUMPINSTRUKTIONERNA OCH MAXIMALT TRYCK SOM ANGES FÖR APPLICERINGSVERKTYGET OCH SLANGARNA.

SE TILL ATT SLANGPAKETET ÄR GRUNDAT MED HYDRAULVÄTSKA ENLIGT PROCEDURER I PUMPENS BRUKSANVISNING 07900-01030.

- Se till att nätspänningen till den hydrauliska pumpen är avstängd.
- Anslut snabbkopplingarna för appliceringsverktygets hydraulslang direkt till pumpenheten innan du ansluter den elektriska styrkabeln. Slangar och styrkabel måste anslutas i denna ordning och kopplas bort i omvänd ordning.
- Slå på nätspänningen till den hydrauliska pumpenheten. Vänta i 5 sekunder för att pumpen ska slutföra startsekvensen innan du trycker på avtryckaren. När allt inställt kommer LCD-skärmen på pumpen att visa "AVDEL".
- Under startsekvensen identifierar pumpkontrollsystemet alla utlösningsoperationer som potentiellt funktionsfel och förhindrar att motorn startar. LCD-skärmen visar "BUTTON FAULT" i det här fallet. Återställ genom att stänga av strömförsörjningen i 10 sekunder.
- Se till att appliceringsverktyget är placerat under pumpbehållartankarna. Tryck ner och släpp ut avtryckaren för appliceringsverktyget några gånger till nästan hela slaget på verktyget för att cirkulera hydraulvätska och trycka ut all luft från verktyget.
- Observera hur verktyget agerar. Kontrollera för vätskeläckage och se till att kolven är i framåtriktat läge i tomgångsläge. Appliceringsverktyget kommer nu att grundas.
- Stäng av nätspänningen till den hydrauliska pumpenheten och koppla sedan bort appliceringsverktyget från pumpen i omvänd ordning till det som beskrivs ovan.
- Anslut nu appliceringsverktyget till den grundade hydraulslangsatsen och den elektriska med den elektriska styrkabeln. Anslut sedan snabbkopplare av hydraulslangsats och den elektriska styrkabeln till pumpenheten.
- Ta bort munstycksmonteringen till verktyget enligt anvisningarna i relevant datablad för munstycksmontering.
- Slå på nätspänningen till den hydrauliska pumpenheten såsom beskrivs ovan.
- Tryck ner och släpp ut avtryckaren för appliceringsverktyget några gånger till nästan hela slaget på verktyget för att cirkulera hydraulvätska och trycka ut all luft från verktyget.
- Nu är appliceringsverktyget klart att användas.

4. BRUKSANVISNING

4.1 INSTALLATION AV AVBOLT®-FÄSTELEMENT

- Kontrollera arbetet och ta bort alltför stort gap. (Gapet är utrymmet mellan komponenterna i fogen. Gapet är för stort om inte tillräckligt med nål sticker genom kragen för att munstycksmonteringskäftarna ska greppa).
- Sätt Avbolt®-fästelementet i hålet.
- Tryck munstycksmonteringen på stiftet tills munstycksmonterings städ stoppar mot kragen. Verktygs- och munstycksmonteringen måste hållas i vinkel (90°) mot arbetet.
- Tryck ner verktygsavtryckaren för att starta installationscykeln.
- När rörelsen för munstycksmonterings städ stoppar och nålen bryts av, släpp avtryckaren. Verkyget går in i sitt returslag och skjuter av det installerade fästelementet. I slutet av returslaget kommer käftarna att delvis släppa ut den förbrukade nålen som kan tas bort genom att luta verktygsnosen nedåt.
- När det installerade fästelementet har tagits ut är verktyget och munstycksmonteringen redo för nästa installation.

4.2 INSTALLATION AV AVDELOK® XT FÄSTELEMENT

- Kontrollera arbetet och ta bort alltför stort gap. (Gapet är utrymmet mellan komponenterna i fogen. Gapet är för stort om inte tillräckligt med nål sticker genom kragen för att munstycksmonteringskäftarna ska greppa).
- Sätt Avdelok® XT fästelementet i hålet.
- Skjut Avdelok® XT-kragen över stiftet. (Den avfasade änden av kragen måste vara mot munstycksmonteringen och verktyget.)
- Tryck munstycksmonteringen på stiftet tills munstycksmonterings städ stoppar mot kragen. Verktygs- och munstycksmonteringen måste hållas i vinkel (90°) mot arbetet.
- Tryck ner verktygsavtryckaren för att starta installationscykeln.
- När rörelsen för munstycksmonterings städ stoppar och nålen bryts av, släpp avtryckaren. Verkyget går in i sitt returslag och skjuter av det installerade fästelementet. I slutet av returslaget kommer käftarna att delvis släppa ut den förbrukade nålen som kan tas bort genom att luta verktygsnosen nedåt.
- När det installerade fästelementet har tagits ut är verktyget och munstycksmonteringen redo för nästa installation.

FÖRSIKTIGHET – FÖRSÖK INTE ATT BRYTA AV EN NÅL UTAN INSTALLATION AV EN KRAGE, EFTERSOM DET KOMMER ATT LEDA TILL ATT DEN OSKYDDADE DELEN AV AVDELOK®- ELLER AVBOLT®-NÅLEN SKJUTER UT FRÅN NOSEN MED HÖG HASTIGHET OCH KRAFT.

5. SERVICE AV VERKTYGET

VIKTIGT – LÄS SÄKERHETSINSTRUKTIONERNA PÅ SIDORNA 250 - 252. ARBETSGIVAREN ANSVARAR FÖR ATT INSTRUKTIONER FÖR UNDERHÅLL AV VERKTYG GES TILL LÄMPLIG PERSONAL. OPERATÖREN BÖR INTE VARA INVOLVERAD I UNDERHÅLL ELLER REPARATION AV VERKTYGET OM DENNE INTE ÄR ORDENTLIGT UTBILDAD. VERKTYGET SKA UNDERSÖKAS REGELBUNDEN FÖR SKADA OCH FEL.

5.1 DAGLIG SERVICE

- Kontrollera placering av verktyg, slangar och snabbkopplingar för oljeläckage.
- Slitna eller skadade slangar och kopplingar bör bytas ut.
- Kontrollera att slaglängden på verktyget uppfyller specifikationen.
- Kontrollera att stamavböjaren är monterad.
- Kontrollera att pumpens drag-/framåtryckavlastningsventil fungerar korrekt.
- Kontrollera för slitna städ som indikeras med slitmärken på den installerade kragen. Detta kan också bekräftas genom att hänvisa till den installerade datan i fästelementkatalogen. Överdrivet slitage kan orsaka att städet brister.

5.2 VECKOSERVICE

- Demontera och rengör munstycksmonteringen, speciellt käftarna/hylsan som beskrivs i det aktuella databladet för munstycksmontering.
- Kontrollera för oljeläckage i appliceringsverktyget, slangar och snabbkopplingar

WARNING – använd aldrig lösningsmedel eller andra starka kemikalier för rengöring av de delar som inte är av metall. Kemikalierna kan försvaga materialet i de här delarna.

5.3 ÅRLIG SERVICE / EFTER VARJE 150 000 ANVÄNDNINGAR

- Årligen eller efter varje 150 000 cykler ska verktyget demonteras helt och nya komponenter ska användas där de är slitna, skadade eller som rekommenderas. Alla O-ringar, säkerhetsringar och tätningar ska bytas ut och smörjas med MolyKote® 111-fett före montering.

5.4 SERVICEPAKET

För en komplett service är följande servicpaket tillgängligt:

SERVICEPAKET: 73432-99990			
ARTIKELNUMMER	BESKRIVNING	ARTIKELNUMMER	BESKRIVNING
07005-10118	Snabbkoppling – hane	07900-00972	AV30 främre tätning styrstång
07005-10120	Snabbkoppling – hona	07900-00963	AV30 kolvstyrhylsa
07900-00958	Ändkåpa verktygskropp	07992-00020	Fett – MolyLithium EP3753
07900-00969	AV30 kolvstyrhylsa	07900-00755	Fett – Molykote® 111
07900-00970	AV30 kolvätningsskolv	07900-00756	Loctite® 243 gänglås
07900-00971	AV30 kolvkula – fram		

5.5 SERVICEVERKTYG

Följande standardverktyg krävs också:

- Insexnyckel: 2,0/3,0 mm
- Platt skruvnyckel med öppen ände: 12 / 14 / 18 / 24 / 45 mm A/F
- PTFE-band: 10mm
- Skruvstäd med käftskydd – 150 mm

5.6 HYDRAULOLJA

FÖRSIKTIGHET – Använd endast Enerpac® HF hydraulolja – användning av annan olja kan leda till att appliceringsverktyget och pumpen fungerar felaktigt och kommer att göra garantin för appliceringsverktyget ogiltig.

Hydraulolja finns att beställa under följande artikelnummer.

HYDRAULOLJA			
ARTIKELNUMMER	07992-00081	07992-00082	07992-00083
Enerpac® artikelnummer	HF-95X	HF-95Y	HF-95T
Volym	1 liter	5 liter	20 liter
Viskositet	32 mm ² /s	32 mm ² /s	32 mm ² /s

5.7 DEMONTERINGSANVISNINGAR

VIKTIGT – SE TILL ATT NÄTSPÄNNINGEN TILL DEN HYDRAULISKA PUMPEN ÄR AVSTÄNGD INNAN MUNSTYCKSMONTERINGEN TAS BORT ELLER APPLICERINGSVERKTYGET DEMONTERAS.

Innan demontering:

- Koppla bort snabbkopplingarna **10** och **11** och den elektriska styrkabeln **14** mellan appliceringsverktyget och hydraulslangenheten.
- Ta bort munstycksmonteringen från appliceringsverktyget enligt anvisningarna i databladet för munstycksmontering.
- De potentiellt farliga ämnen som kan ha deponerats på maskinen som ett resultat av arbetsprocesser måste tas bort innan underhåll.

För en komplett service av verktyget rekommenderar vi att du fortsätter med att demontera verktyget i den ordning som visas på sidorna 259 till 261. Efter demontering av verktyget rekommenderar vi att du byter ut alla tätningar.

Kolvhuvudmontering:

- Använd en liten platt skruvmejsel och ta bort stiftet **41** från hylsadaptern **40**.
- Skruva loss och ta bort hylsadaptern **40** från kolven **1**.
- Kläm fast verktygshandtaget i ett skruvstäd med mjuka käftar så att verktyget pekar med nosen nedåt.
- Anslut den extra *snabbkoppling – hane till snabbkoppling – hona **11** på hydraulslang – retur **18**. Detta kommer att frigöra tryck från kolvens retursida **1** och underlätta avlägsnandet av ändkåpan **17**.
- Sätt i *ändkåpa verktygskropp i ändkåpan **17**.
- Skruva loss och ta bort ändkåpan **17**, från kroppen med en 24 mm A/F-nyckel **2**.
- Använd en liten platt skruvmejsel och ta bort O-ringen **21** från ändkåpan **17** och kassera.
- Använd en liten platt skruvmejsel eller liknande verktyg och ta bort o-ringen **30** och spiral back-up ringen **36**, från det yttre spåret på ändkåpan **17** och kassera. När du tar bort tätningarna, se till att inte skada ytan på ändkåpan med skruvmejseln.
- Ta appliceringsverktyget från skruvstället och töm hydrauloljan från verktygets baksida. Ta bort den extra *snabbkoppling – hane från snabbkoppling – hona **11**.
- Anslut den extra *snabbkoppling – hona till snabbkoppling – hane **10** på hydraulslang – dra **19**. Detta kommer att frigöra tryck från kolvens dragsida **1** och underlätta avlägsnandet av kolven **1**.
- Skruva på *kolvkula – fram till framsidan av kolven **1**.
- Placera kroppens **2** nos upp på en bänk. Använd sedan en mjuk trähammare, knacka kolven **1** mot baksidan av kroppen och ut mot baksidan och se till att du inte skadar hålet inne i kroppen.
- Observera att när du tar bort kolven **1**, kommer olja på kolvens dragkant att läcka från fram- och baksidan av kroppen **2**.
- När du tar bort kolven **1** kan den främre tätningen **15** hållas kvar på kolvaxeln. Om detta är fallet, skruva loss *kolvkula – fram och dra av den främre tätningen från kolven.
- Kolv tätningen **26** är en 2-delad tätning som består av en extern tätningsring och en inre O-ring. Skär genom den externa tätningsringen med en liten kniv och ta bort den från den yttre spåret på kolven **1**. Ta sedan bort den inre o-ringen från kolven med en liten platt skruvmejsel och kassera den. När du tar bort tätningarna, se till att inte skada ytan på kolven.
- Om den främre tätningen **15** fortfarande hålls kvar i kroppen **2**. Placera kroppens nos uppe på en bänk och tryck sedan den främre tätningen framifrån tills den är fri från urtaget i kroppen. Den främre tätningen kan sedan tas bort från baksidan av kroppen. Se till att inte skada hålen i kroppen när du gör det.

Alla siffror i **fetstil** hänvisar till allmän montering och listan över delar på sidorna 262, 263 och 264.

* Servicepaket på sidan 258.

- Använd en liten platt skruvmejsel och ta bort o-ringen **23** och spiralbackringen **34**, från det yttre spåret på den främre tätningen **15**, och kassera. När du tar bort tätningarna, se till att inte skada ytan på den främre tätningen med skruvmejseln.
- Ta bort stängtätningen **25** och torkartätningen **22**, från de inre spåren på den främre tätningen **15**, och kassera. När du tar bort tätningarna, se till att inte skada ytan på den främre tätningen med skruvmejseln.
- Ta bort den främre lagerringen **24** och kontrollera delen för slitage eller skador. Kassera vid behov.
- Använd en liten platt skruvmejsel och ta bort o-ringen **21** från kroppen **2** och kassera.
- Ta bort extra *snabbkoppling – hona från snabbkoppling – hane 10 från hydraulslang – dra **19**.
- Ta inte bort ställskruven **42** från kroppen **2**.

Montera i omvänd ordning som vid demonteringen och observera följande punkter:

- Rengör alla komponenter innan montering.
- Använd en lätt beläggning av Molykote® 111-fett på alla tätningar, tätningsspår, säkerhetsringar och monteringsverktyg för att underlätta monteringen.
- Skjut o-ringen **23** över den främre tätningen **15** och in i det yttre spåret. Sätt i spiralbackringen **34** i samma spår, framför den installerade o-ringen. Se Allmän montering och reservdelslistan för korrekt orientering av o-ringen och spiralbackringen.
- Tryck på den främre tätningsskivan **24** i den inre urtagningen i den främre tätningen **15** och installera sedan stängtätningen **25** bakom den främre lagerringen. Installera torkartätningen **22** i det främre urtaget på den främre tätningen. Se Allmän montering för att säkerställa korrekt riktning av stängtätningen och torkartätningen.
- Smörj ytan och framkanten på kroppens **2** hålet i vilket den främre tätningen **15** ska installeras med Molykote® 111-fett.
- Smörj tappen på *främre tätning styrstång och placera sedan främre tätning **15**, stängtätning **25** med änden först, helt över tappen. Sätt i *främre tätning styrstång i baksidan av kroppen **2** och skjut sedan den främre tätningen helt in i hålet i kroppen. En rimlig kraft krävs för att sätta in främre tätningen i kroppen, så en press eller skruv kan behöva användas. Ta bort *främre tätning styrstång medan du kontrollerar att den främre tätningen förblir på plats.
- Smörj tätningsspåret och den största ytterdiametern på kolven **1** med Molykote® 111-fett. Skjut in kolvtätningen **26** över framsidan av den stora kolvdiametern och in i tätningsspåret.
- Skruva på *kolvkula – fram på kolven **1**. Placera *kolvtätningsskivan över kolvaxeln och placera sedan den yttre tätningsskivan från kolvtätningen **26** över *kolvtätningsskivan så att den vilar på den avsmalnande omkretsen. Smörj ytan på *kolvtätningsskivan med Molykote® 111-fett.
- Placera *kolvtätningsskivan över kolvens **1** axel och *kolvtätningsskivan så att den öppna änden av *kolvtätningsskivan vilar på den yttre tätningsskivan av kolvtätningen **26**. Tryck den yttre tätningsskivan över *kolvtätningsskivan och in i kolvtätningsspåret med hjälp av *kolvtätningsskivan. En rimlig kraft krävs för att expandera och sätta in den yttre tätningen i kroppen, så en press eller ett skruvstöd kan behöva användas.
- Ta bort *kolvtätningsskivan och *kolvtätningsskivan från kolven **1**. Smörj *kolvkula-, fram, kolvaxel och kolvtätning **26** med Molykote® 111-fett.
- Skruva i *kolvstyrhylsan helt in på baksidan av kroppen **2**. Smörj hålen i både kroppen och *kolvstyrhylsan med Molykote® 111-fett.
- Anslut den extra *snabbkoppling – hona till snabbkoppling – hane **10** på hydraulslang – dra **19**. Det möjligt att släppa ut luft från dragsidans kolv **1** vid isättning av kolven.
- Sätt i den monterade kolven **1** i baksidan av kroppen **2** och genom den monterade främre tätningen **15**. Tryck kolven till helt framåt tills den stannar mot främre tätningarna. Hydraulolja kommer att släppas ut från hydraulslangen – dra **19**. En rimlig kraft krävs för att sätta in kolven i kroppen, så en press eller skruv kan behöva användas.
- Ta bort extra *snabbkoppling – hona från snabbkoppling – hane **10** från hydraulslang – dra **19**. Ta bort *kolvstyrhylsan från baksidan av kroppen **2**.
- Skjut o-ringen **30** över ändkåpan **17** och in i det yttre spåret. Sätt i spiralbackringen **36** i samma spår, bakom den installerade o-ringen. Se Allmän montering och reservdelslistan för korrekt orientering av o-ringen och spiralbackringen.
- Tryck på den bakre tätningsskivan **29** i den inre urtagningen i den bakre tätningen **16** och installera sedan stängtätningen **28** bakom den bakre lagerringen. Installera torkartätningen **31** i det bakre urtaget på den främre tätningen. Se Allmän montering för att säkerställa korrekt riktning av stängtätningen och torkartätningen.
- Kläm fast verktygshandtaget i ett skruvstöd med mjuka käftar så att verktyget pekar med nosen nedåt.
- Smörj ytan och framkanten på kroppens **2** hål i vilket den främre tätningen **16** ska installeras med Molykote® 111-fett.

Alla siffror i **fetstil** hänvisar till allmän montering och listan över delar på sidorna 262, 263 och 264.

* Servicepaket på sidan 258.

- Fyll baksidan av kroppen **2** med Enerpac® HF hydraulolja. Oljenivån ska ligga precis ovanför det bakre inloppshålet i kroppen.
- Anslut den extra *snabbkoppling – hane till snabbkoppling – hona **11** på hydraulslang – retur **18**. Det gör det möjligt att släppa ut luft från kolvens **1** retursida vid isättning av ändkåpan **17**.
- Smörj både den inre gängan i kroppen **2** och den yttre gängan på ändkåpan **17** med MolyLithium-fett.
- Sätt i ändkåpan **17** i baksidan av kroppen **2**, och var försiktig så att du inte skadar o-ringen **30** och spiralbackup-ringen **36** på kroppens gängor. Skruva in ändkåpan **17** helt på baksidan av kroppen med hjälp av *ändkåpa verktygskropp. På så sätt kommer en liten mängd olja att släppas ut från hydraulslang - retur **18**.
- Ta bort den extra *snabbkoppling – hane från snabbkoppling – hona **11** på hydraulslang – retur **18**.
- Skruva på hylsadaptern **40** på kolven **1** tills den främre ytan är i linje med kolvens ände. Rikta in hålet i hylsadaptern med spåret i slutet av kolven och sätt sedan in låsstiftet **41**.
- Prima appliceringsverktyget enligt beskrivningen i Förberedelser för användning på sidan 256.

Slangmontering:

- Ta bort de två skruvarna **9** från slangklämman **13** med en 3,0 mm insexnyckel. Ta bort slangklämman och kläminsatsen **20** från skyddshylsan **37** och hydraulslangarna - retur **18** och dra **19**.
- Använd den lilla platta skruvmejseln och dra ut handtag Gator **8** från handtaget på kroppen **2**. Dra ut handtag Gator över skyddshylsan **37**, hydraulslangar - retur **18** och dra **19** och ta bort.
- Klipp av buntbandet **35** och skjut tillbaka skyddshylsan **37** för att exponera fästelementen på hydraulslangarna **18** och **19**. Hydraulslangarna kan tas bort från kroppen **2** med 12- och 14 mm-skruvnycklar.
- Snabbkoppling – hane **10** och hona **11** kan tas bort från hydraulslangarna **18** och retur **19** med 18 mm och 24 mm skruvnycklar.
- För att ta bort avtryckaren **7**, lossa först kabelförskruvningen **38**, så att kontrollkabeln **14** är fri att röra sig i kroppen **2**. Lossa sedan M4-ställskruven **12** med en 2,0 mm insexnyckel.
- Skjut in kontrollkabeln **14** i kroppen **2** och dra samtidigt avtryckaren **7** ut ur kroppen för att exponera lödfogarna på avtryckarens terminaler. Lossa terminalerna för att ta bort avtryckaren och avtryckarinsatsen **39**. Avtryckarinsatsen är ansluten till avtryckaren och kan inte tas bort.
- Kontrollkabeln **14** kan nu dras från kroppen **2** och tas bort från skyddshylsan **37**.

Montera i omvänd ordning som vid demonteringen och observera följande punkter:

- Rengör alla gängor på snabbkopplingarna – hane **10** och hona **11** och hydraulslangarna – retur **18** och dra **19**. Applicera sedan två till tre lager av 10 mm PTFE-tejp på hangängorna på båda hydraulslangarna.
- Vid byte av avtryckarbrytare **7** applicera *Loctite® 243 på utvändiga gängor på avtryckaren innan du sätter i avtryckarinsatsen **39**.
- Applicera *Loctite® 243 på M4 ställskruven **12** före montering.
- När det är monterat, prima verktyget enligt anvisningarna på sidan 256.

5.8 SKYDDA MILJÖN

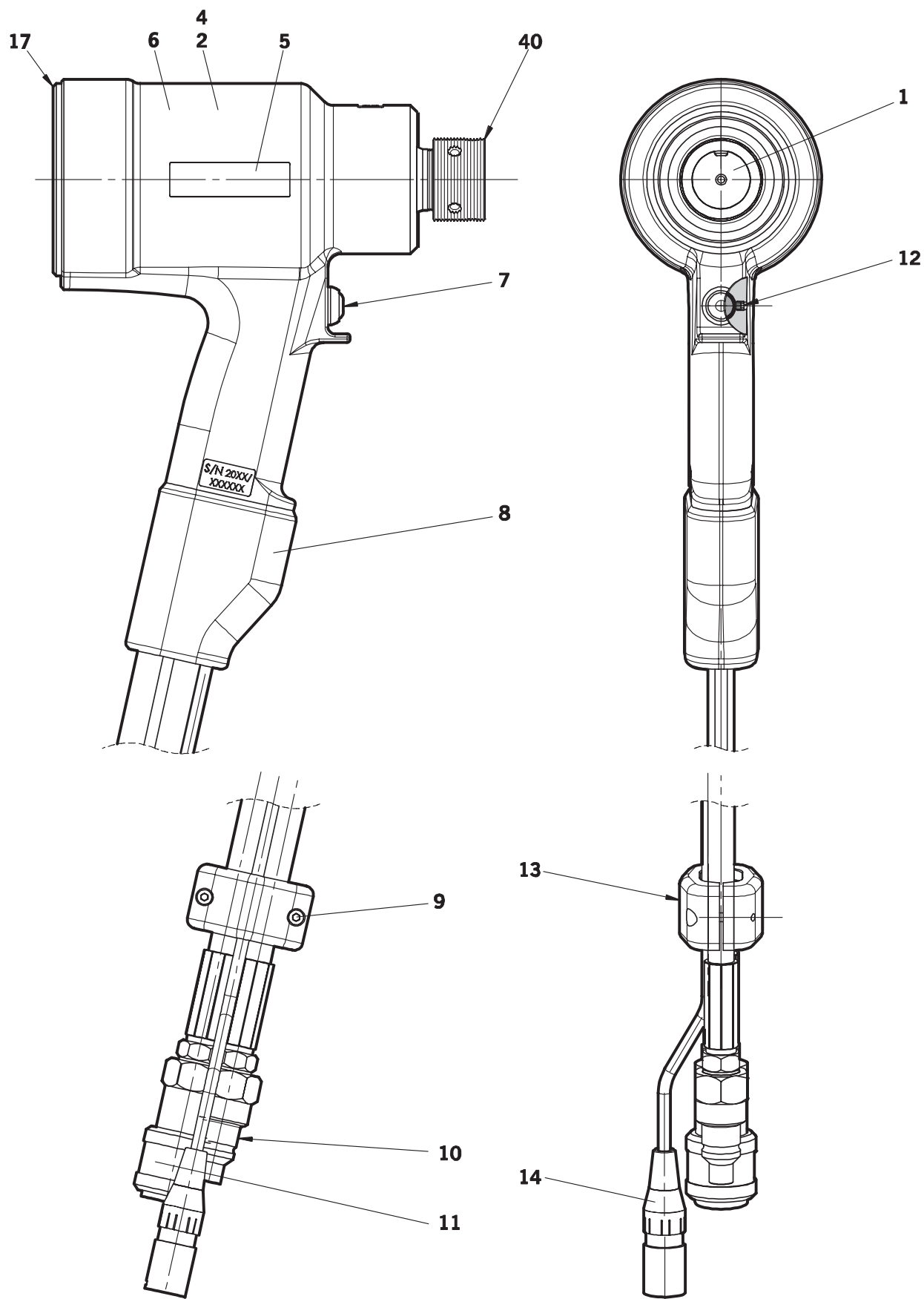
- Observera överensstämmelse med gällande avfallsföreskrifter. Kassera alla avfallsprodukter på en godkänd avfallsanläggning eller plats för att inte utsätta personal och miljö för faror.

Alla siffror i **fetstil** hänvisar till allmän montering och listan över delar på sidorna 262, 263 och 264.

* Servicepaket på sidan 258.

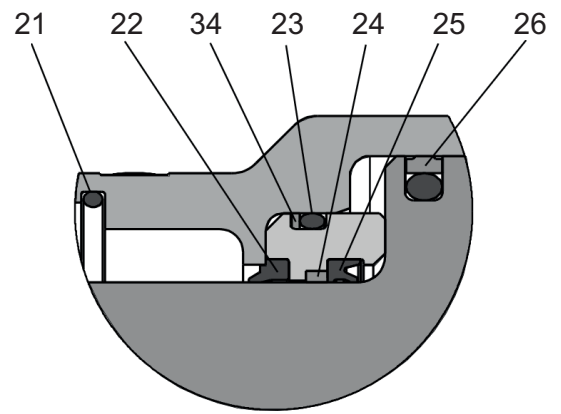
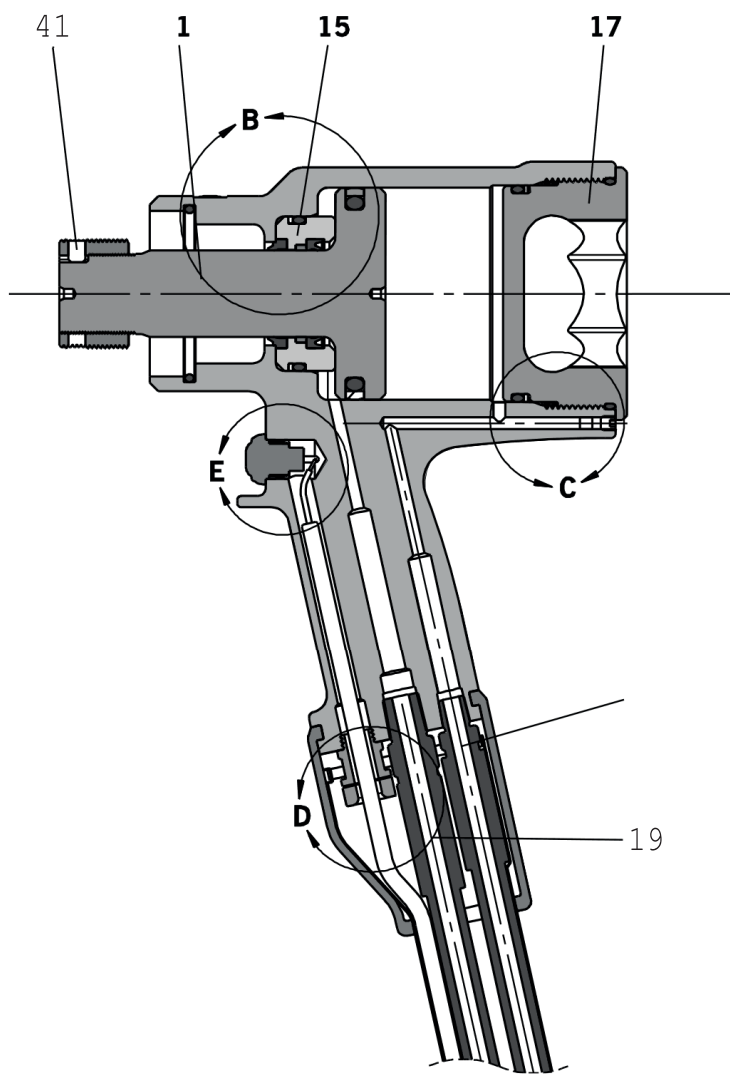
6. ALLMÄN MONTERING OCH DELLISTA

6.1 ALLMÄN MONTERING

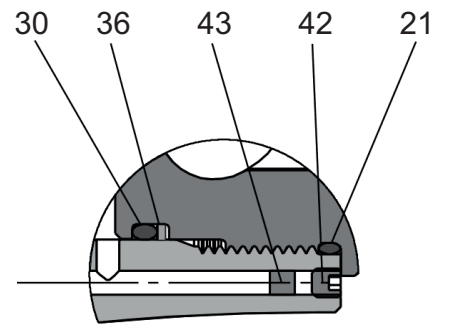


ITEM 37 PROTECTIVE SLEEVE
REMOVED FOR CLARITY

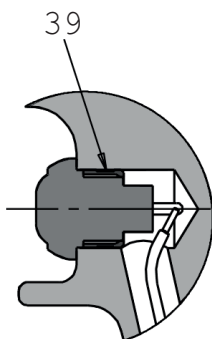
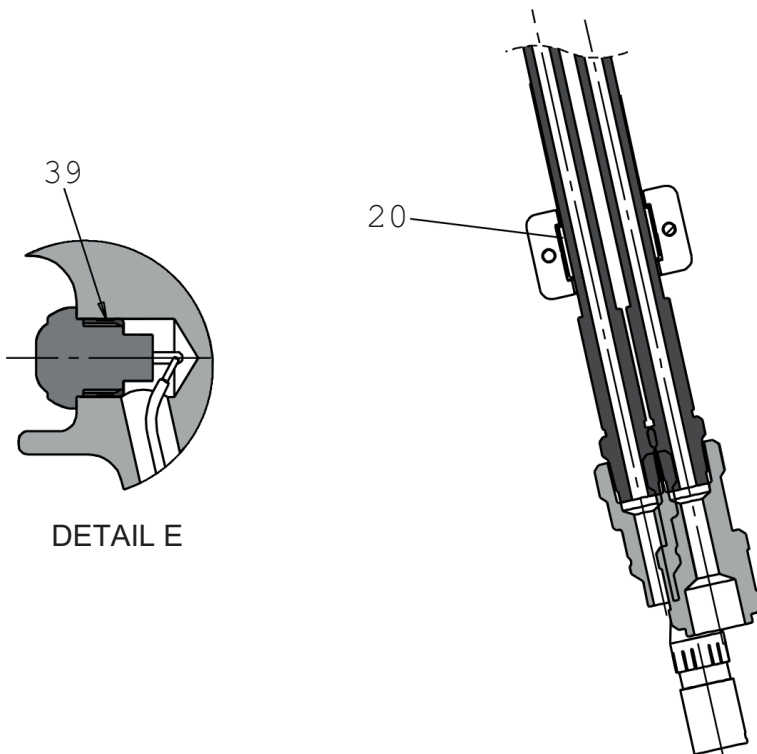
ITEM 37 PROTECTIVE SLEEVE
REMOVED FOR CLARITY



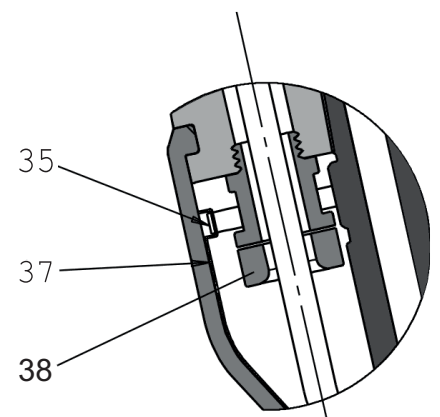
DETAIL B



DETAIL C



DETAIL E



DETAIL D

6.2 DELLISTA

73432-02000 Dellista			
ARTIKEL	ARTIKELNUMMER	BESKRIVNING	ANTAL
1	73434-02003	KOLV	1
2	73434-02001	STOMME	1
3			
4	73425-02016	SÄKERHETSETIKETT	1
5	73434-02026	AV30-ETIKETT	2
6	07007-01504	CE OCH UKCA-ETIKETT	1
7	07007-02103	AVTRYCKARE	1
8	73430-02020	HANDTAG GATOR	1
9	07001-00686	M4 X 16 SKT KÅPA HD-SKRUV	2
10	07005-10118	SNABBKOPPLING- HANE	1
11	07005-10120	SNABBKOPPLING- HONA	1
12	07001-00479	M4 X 4 SKT STÄLLSKRUV	1
13	73430-02023	SLANGKLÄMMA	1
14	07007-02105	STYRKABEL	1
15	73434-02004	FRÄMRE TÄTNING	1
16			
17	73434-02005	ÄNDKÅPA	1
18	07005-10119	HYDRAULSLANG- RETUR	1
19	07005-10117	HYDRAULSLANG- DRA	1
20	73430-02024	KLÄMINSATS	1
21	07003-00463	O-RING	2
22	07003-00452	TORKARTÄTNING	1
23	07003-00461	O-RING	1
24	73434-02009	FRÄMRE LAGERRING	1
25	07003-00451	STÅNGTÄTNING	1
26	07003-00453	KOLVTÄTNING	1
27			
28			
29			
30	07003-00464	O-RING	1
31			
32			
33			
34	07003-00494	SPIRALBACKRING	1
35	07007-02032	BUNTBAND	1
36	07003-00496	SPIRALBACKRING	1
37	07005-10121	SKYDDSHYLSA	0,6m
38	07007-02104	KABELTÄTNING	1
39	73430-02008	AVTRYCKARINSATS	1
40	73434-02012	HYKSADAPTER	1
41	73434-02013	LÅSSTIFT	1
42	07001-00481	M5 X 5 SKT STÄLLSKRUV	1
-	07900-01022	AV30 VERKTYG INSTRUKTIONSMANUAL	1

7. SÄKERHETSDATA

7.1 ENERPACE® HF HYDRAULOLJA – SÄKERHETSDATA

FÖRSTA HJÄLPEN

HUD:

Det är osannolikt att orsaka skada på huden vid kortvarig eller tillfällig kontakt men långvarig kontakt eller exponering kan leda till dermatit. Tvätta huden noggrant med tvål och vatten så snart det är praktiskt möjligt. Ta bort starkt förorenade kläder och tvätta underliggande hud.

ORALT:

Det kommer sannolikt inte att orsaka skada om det av misstag sväljs i små doser, även om större mängder kan orsaka illamående och diarré. Om kontaminering av munnen inträffar, tvätta noggrant med vatten. Förutom som en avsiktlig handling är det osannolikt att förtära stora mängder produkt. Framkalla inte kräkningar om det skulle inträffa; sök medicinsk rådgivning. Ta personen till närmaste vårdcentral.

ÖGON:

Det är osannolikt att orsaka mer än övergående stickning eller rodnad om oavsiktlig ögonkontakt inträffar. Tvätta ögonen noggrant med stora mängder vatten, se till att ögonlocken hålls öppna. Sök läkare om smärta eller rodnad utvecklas eller kvarstår.

MEDICINSKA RÅD:

Behandlingen bör i allmänhet vara symptomatisk och inriktad på att lindra eventuella effekter.

Notera: Högtrycksanvändning:

Injektioner genom huden, till följd av kontakt med produkten vid högt tryck, utgör en stor medicinsk nödsituation. Skador kan inte verka allvarliga först men inom några timmar blir vävnaden svullen, missfärgad och extremt smärtsam med omfattande subkutan nekros.

Läkarundersökning bör genomföras utan dröjsmål. Grundlig och omfattande debridering av såret och underliggande vävnad är nödvändig för att minimera vävnadsförlust och förhindra eller begränsa permanent skada. Observera att högt tryck kan trycka fram produkten med betydande avstånd.

KASSERING

Ta bort allt spill med inert absorberande material. Ventilera spillområdet. Lägg förorenat material i en engångsbehållare och kassera på ett sätt som överensstämmer med lokala föreskrifter.

BRAND

FLAMPUNKT: 200 °C.

Släck med antingen torr kemikalie, skum eller koldioxid. Gå inte in i trånga utrymmen utan fristående andningsapparat.

HANTERING

Använd barriärkräm eller oljebeständiga handskar.

FÖRVARING

I enlighet och överensstämmelse med lokala bestämmelser för brandfarligt material.

7.2 MOLYLITHIUM FETT EP 3753 – SÄKERHETSDATA

Fett kan beställas som en enda artikel, artikelnumret visas i servicepaketet sida 258.

FÖRSTA HJÄLPEN

HUD:

Eftersom fett är helt vattenbeständigt avlägsnas det bäst med en godkänd emulgerande hudrengöring.

FÖRTÄRING:

Se till att personen dricker 30 ml magnesiummjölk, helst i en glas mjölk.

ÖGON:

Irriterande men inte skadligt. Skölj med vatten och sök läkare.

BRAND

FLAMPUNKT: Över 220 °C.

Ej klassificerat som brandfarligt.

Lämpliga släckmedel: CO₂ halon eller vattenspray om den appliceras av en erfaren operatör.

MILJÖ

Skrapa upp för bränning eller bortskaffande på godkänd plats.

HANTERING

Använd barriärkräm eller oljebeständiga handskar

FÖRVARING

På avstånd från värme och oxidationsmedel.

7.3 MOLYKOTE® 111 FETT – SÄKERHETSDATA

Fett kan beställas som en enda artikel, artikelnumret visas i servicepaketet sida 258.

FÖRSTA HJÄLPEN

HUD:

Ingen första hjälpen bör behövas.

FÖRTÄRING:

Ingen första hjälpen bör behövas.

ÖGON:

Ingen första hjälpen bör behövas.

INANDNING:

Ingen första hjälpen bör behövas.

BRAND

FLAMPUNKT: Över 101,1 °C. (stängd kopp)

Explosiva egenskaper: Nej

Lämpliga släckmedel: Koldioxidskum, torrpulver eller fin vattenspray. Vatten kan användas för att kyla eldutsatta behållare.

MILJÖ

Inga biverkningar förutspås.

HANTERING

Allmän ventilation rekommenderas. Undvik ögonkontakt.

FÖRVARING

Förvaras inte med oxidationsmedel. Håll behållaren stängd och förvara borta från vatten eller fukt.

8. FELSÖKNING

SYMPTOM	MÖJLIG ORSAK	ÅTGÄRD	SIDA REF.
Appliceringsverktyget fungerar inte	Pumpenheten fungerar inte	Kontrollera pumpens strömförsörjning och se bruksanvisningen till pumpenheten	
	Felaktiga snabbkopplingar 10 och 11	Byt ut snabbkopplingar	261
	Avtryckarens styrkabel 14 är inte korrekt ansluten	Kontrollera att styrkabeln är korrekt ansluten vid pump och appliceringsverktyg	256
	Skadad avtryckarbrytare 7 eller styrkabel 14	Byt ut avtryckarbrytare och/eller styrkabel	261
Avtryckarbrytare 7 fungerar inte	Pump i lokalt läge	Se pumpens bruksanvisning	
	Skadad avtryckarbrytare 7 , styrkabel 14 eller kontakt	Byt ut avtryckarbrytare och/eller styrkabel	261
Pumpen kör med appliceringsverktyget fungerar inte	Hydraulslangarna är inte anslutna	Kontrollera att korrekta anslutningar vid pump och appliceringsverktyg	256
	Låg oljenivå	Se till att appliceringsverktyget är fyllt med olja och korrekt primat, se pumpens bruksanvisning Se pumpens bruksanvisning	256
	Appliceringsverktygets externt oljeläckage	Kontrollera appliceringsverktyget – byt ut slitna eller skadade komponenter	259 - 261
	Slangenhet externt oljeläckage	Inspektera slangenhetsen – se till att slanganslutningarna är täta och/eller byt ut skadade slanganslutningar	261
	Pump internt/externt oljeläckage	Se pumpens bruksanvisning	
	Låg eller oberoende hydraulisk trycktillförsel	Se pumpens bruksanvisning	
	Appliceringsverktyget fungerar oregelbundet	Slitna eller skadade hydrauliska tätningar i appliceringsverktyget	Kontrollera appliceringsverktyget – byt ut slitna eller skadade tätningar
	Slitna eller skadade hydrauliska tätningssytor i appliceringsverktyget	Kontrollera appliceringsverktyget – byt ut slitna eller skadade komponenter	259 - 261
	Pump internt/externt oljeläckage	Se pumpens bruksanvisning	
Pumpen bygger fullt tryck, men nålen bryts inte	Brottbelastning större än appliceringsverktygets kapacitet vid fullt tryck	Se specifikationen för appliceringsverktyget	253
	Flödet till appliceringsverktyget blockerat	Kontrollera snabbkopplingarna 10 och 11 för fullt ingrepp	256
	Pumptrycksavlastningsventilens värde inställt för lågt	Justera inställningarna för tryckavlastningsventil – se pumpens bruksanvisning	
	Dragspår på fästelementets nål skalade	Se symptom på sidan 268	257
	Felaktig verktygsdrift		257

SYMPTOM	MÖJLIG ORSAK	ÅTGÄRD	SIDA REF.
Appliceringsverktygets kolv 1 kommer inte tillbaka	Returflödet begränsat. eller blockerat	Kontrollera snabbkopplingarna 10 och 11 för fullt ingrepp och/eller fel	256
	Hydraulslangarna är inte anslutna	Kontrollera att korrekta anslutningar vid pump och appliceringsverktyg	256
	Fel på pumpventilen	Se pumpens bruksanvisning	
Appliceringsverktyget matar inte ut kragen från städet	Pumpreturtimerinställning felaktig – ställd in för lågt	Justera inställningarna för returtimer till rekommenderad inställning – se pumpens bruksanvisning	
	Pumpreturtrycksavlastningsventilen inställd för lågt	Justera inställningarna för returtryckavlastningsventil – se pumpens bruksanvisning	
	Låg eller oberoende hydraulisk trycktillförsel	Se pumpens bruksanvisning	
	Slitna eller skadade hydrauliska tätningar i appliceringsverktyget	Kontrollera appliceringsverktyget – byt ut slitna eller skadade tätningar	259 - 261
	Slitna eller skadade hydrauliska tätningsytor i appliceringsverktyget	Kontrollera appliceringsverktyget – byt ut slitna eller skadade komponenter	259 - 261
	Pump internt/externt oljeläckage	Se pumpens bruksanvisning	
Dragspår på fästelementets nål skalade under installationen	Operatören skjuter inte nosen helt på fästelementets nål innan hanteringsverktyget	Instruera operatören i korrekt installationsmetod	257
	Felaktig fästelementlängd/grepplängd	Använd rätt fästelement	257
	Slitna eller skadade käftsegment	Kontrollera och byt ut käftset – se datablad för munstycksutrustning	
	Skräp i käcksegment och/eller nålspår	Rengör käcksegmenten - se datablad för nosutrustning	
Avdelok®- eller Avbolt®-kragen är inte fullständigt svängd Nålen frigörs inte från munstycksutrustningen	För stort arkgap	Tätt gap mellan ark	257
	Felaktig verktygsdrift		257
	Utslitet städ-borrhål	Kontrollera och byt ut städet – se datablad för munstycksutrustning	
Appliceringsverktyg och hydraulolja går varm	Felaktig montering av munstycksutrustning	Se datablad för munstycksutrustning	
	Begränsning i hydraulledningen	Kontrollera hydrauliska snabbkopplingar 10 och 11 och byt ut vid behov	261
	Hög omgivningstemperatur		
Hydrauliska snabbkopplare 10 och 11 läcker olja	Slitna o-ringar i kroppen på snabbkoppling – hane 10	Byt ut o-ringar och back-up-ring i snabbkoppling 10	261

Alla siffror i **fetstil** hänvisar till allmän montering och listan över delar på sidorna 262, 263 och 264.

* Servicepaket på sidan 258.

9. EU-FÖRSÄKRAN OM ÖVERENSSTÄMMELSE

Vi, **Stanley Engineered Fastening, Stanley House, Works Road, Letchworth Garden City, Hertfordshire, SG6 1JY UNITED KINGDOM**, försäkrar under eget ansvar att produkten:

Beskrivning: AV30 HYDROELEKTRISKT KRAFTVERKTYG

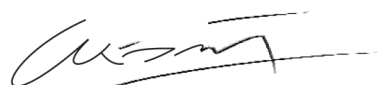
Modell: AV30 STRUKTURVERKTYG – 73434-02000

som denna deklARATION relaterar till uppfyller följande standarder:

ISO 12100:2010	EN ISO 3744:2010
EN ISO 11202:2010	EN ISO 11148-1:2011
EN ISO 4413:2010	EN ISO 20643:2008+A1:2012
EN ISO 4414:2010	ES100118-rev 17:2017
EN ISO 28927-5:2009+A1:2015	

Den tekniska dokumentationen är utformad i enlighet med bilaga 1, avsnitt 1.7.4.1. i enlighet med följande direktiv: **2006/42/EC Maskindirektivet** (Statutory Instruments 2008 No 1597 – The Supply of Machinery (Safety) Regulations).

Undertecknad lämnar denna förklaring på uppdrag av STANLEY Assembly Technologies



A. K. Seewraj

Director of Engineering, Storbritannien

Avdel UK Limited, Stanley House, Works Road, Letchworth Garden City, Hertfordshire, SG6 1JY STORBRITANNIEN

Utgivningsplats: Letchworth Garden City, Storbritannien

Utgivningsdatum: 12-12-2011

Undertecknad är ansvarig för sammanställningen av tekniska data för produkter sålda i Europeiska unionen och gör denna försäkran för Stanley Engineered Fastening.

Matthias Appel

Team Leader Technical Documentation

Stanley Engineered Fastening, Tucker GmbH, Max-Eyth-Str.1, 35394 Gießen, Tyskland



Denna maskin är i överensstämmelse med
Maskindirektiv 2006/42/EG

10.UK FÖRSÄKRAN OM ÖVERENSSTÄMMELSE

Vi, **Stanley Engineered Fastening, Stanley House, Works Road, Letchworth Garden City, Hertfordshire, SG6 1JY UNITED KINGDOM**, försäkrar under eget ansvar att produkten:

Beskrivning: AV30 HYDROELEKTRISKT KRAFTVERKTYG

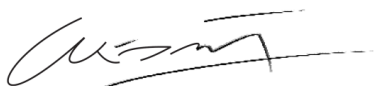
Modell: AV30 STRUKTURVERKTYG – 73434-02000

som denna deklARATION relaterar till uppfyller följande standarder:

ISO 12100:2010	EN ISO 3744:2010
EN ISO 11202:2010	EN ISO 11148-1:2011
EN ISO 4413:2010	EN ISO 20643:2008+A1:2012
EN ISO 4414:2010	ES100118-rev 17:2017
EN ISO 28927-5:2009+A1:2015	

Teknisk dokumentation är sammanställd i enlighet med Supply of Machinery (Safety) Regulations 2008, SI 2008/1597 (med ändringar).

Undertecknad lämnar denna förklaring på uppdrag av STANLEY Assembly Technologies



A. K. Seewraj

Director of Engineering, Storbritannien

Avdel UK Limited, Stanley House, Works Road, Letchworth Garden City, Hertfordshire,
SG6 1JY STORBRIANNIEN

Utgivningsplats: Letchworth Garden City, Storbritannien

Utgivningsdatum: 12-12-2011

**UK
CA**

Denna maskin är i överensstämmelse med
Supply of Machinery (Safety) Regulations 2008,
S.I. 2008/1597 (med ändringar)

11. SKYDDA DIN INVESTERING!

Stanley® Engineered Fastening BLINDNITVERKTYG GARANTI

STANLEY® Engineered Fastening garanterar att alla kraftverktyg noggrant tillverkats och att de är fria från materialdefekter och tillverkningsfel vid normal användning och service för en period av ett (1) år.

Denna garanti gäller endast för första köparen av verktyget för original användning.

Undantag:

Normalt slitage.

Regelbundet underhåll, reparation och reservdelar på grund av normalt slitage är undantagen från garantin.

Missbruk och felaktig användning.

Defekter eller skador som uppstår av felaktig hantering, förvaring, missbruk eller felaktig användning, olyckor eller försummelse, såsom fysiska skador är undantaget från garantin.

Obehörig service eller modifiering.

Defekter eller skador som uppstår efter service, testinställning, installation, underhåll, ändringar eller modifieringar på något sätt av någon annan än STANLEY® Engineered Fastening, eller deras auktoriserade servicecenter är undantaget från garantin.

Alla andra garantier, uttalade eller underförstådda, inklusive några garantier om säljbarhet eller lämplighet för särskilt syfte är undantaget från garantin.

Om detta verktyg inte uppfyller garantin, returnera snarast verktyget till vår fabriks auktoriserade servicecenter närmast dig. För en lista med STANLEY® Engineered Fastening Auktoriserade servicecenter i USA eller Kanada, kontakta oss på gratisnumret (877)364 2781.

Utanför USA och Kanada, besök vår hemsida www.StanleyEngineeredFastening.com för att hitta närmaste STANLEY Engineered Fastening-plats.

STANLEY Engineered Fastening kommer sedan att ersätta, utan kostnad, någon del eller delar som vi hittar som är defekt på grund av materialfel eller tillverkningsfel och returnera verktyget med betald retur. Detta utgör vår enda skyldighet enligt denna garanti.

Under inga omständigheter ska STANLEY Engineered Fastening vara ansvarigt för eventuella följdskador eller speciella skador som följer av inköp eller användning av detta verktyg.

Registrera ditt blindnitverktyg online.

För att registrera din garanti online, besök oss på <https://www.stanleyengineeredfastening.com/support/warranty-registration-form>

Tack för att du valt ett STANLEY® Engineered Fastening's Stanley Assembly Technologies Brand-verktyg.

©2019 STANLEY Black & Decker, todos os direitos reservados.

As informações fornecidas não podem ser reproduzidas e/ou tornadas públicas por qualquer forma ou qualquer meio (electrónica ou mecânica) sem a permissão prévia explícita e escrita por parte da STANLEY Engineered Fastening. As informações fornecidas têm como base dados conhecidos durante a introdução deste produto. A STANLEY Engineered Fastening segue uma política de melhoramento contínuo dos produtos e, por conseguinte, os produtos podem estar sujeitos a alterações. As informações fornecidas são aplicáveis ao produto tal como são fornecidas pela STANLEY Engineered Fastening. Por conseguinte, a STANLEY Engineered Fastening não pode ser responsabilizada por quaisquer desvios das especificações originais do produto.

As informações disponíveis foram criadas com o maior rigor possível. No entanto, a STANLEY Engineered Fastening não aceita qualquer responsabilidade no que respeita a quaisquer erros das informações indicadas ou pelas consequências daí resultantes. A STANLEY Engineered Fastening não aceita qualquer responsabilidade por quaisquer danos resultantes das actividades executadas por terceiros. Os nomes autorizados, nomes comerciais, marcas registadas, etc. utilizados pela STANLEY Engineered Fastening não devem ser considerados como gratuitos, de acordo com a legislação no que respeita à protecção das marcas comerciais.

ÍNDICE

1. DEFINIÇÕES DE SEGURANÇA	274
1.1 REGRA DE SEGURANÇA GERAL	274
1.2 RISCO DE PROJECCÃO	274
1.3 RISCOS DURANTE O FUNCIONAMENTO	275
1.4 RISCO DE MOVIMENTO REPETITIVO	275
1.5 RISCO RELACIONADO COM ACESSÓRIOS	275
1.6 RISCO NO LOCAL DE TRABALHO	275
1.7 RISCO DE RUÍDO	276
1.8 RISCO DE VIBRAÇÃO	276
1.9 INSTRUÇÕES ADICIONAIS DE SEGURANÇA PARA FERRAMENTAS ELECTRO-HIDRÁULICAS	276
2. CARACTERÍSTICAS TÉCNICAS	277
2.1 UTILIZAÇÃO PRETENDIDA	277
2.2 ESPECIFICAÇÕES DA FERRAMENTA	277
2.3 DIMENSÕES DA FERRAMENTA	278
3. COLOCAÇÃO EM FUNCIONAMENTO	279
3.1 PRINCÍPIO DE FUNCIONAMENTO	279
3.2 PREPARAÇÃO PARA UTILIZAÇÃO	280
4. INSTRUÇÕES DE FUNCIONAMENTO	281
4.1 INSERIR UM FECHO AVBOLT®	281
4.2 INSERIR UM FECHO AVDELOK®	281
5. ASSISTÊNCIA DA FERRAMENTA	282
5.1 ASSISTÊNCIA DIÁRIA	282
5.2 ASSISTÊNCIA SEMANAL	282
5.3 OPERAÇÕES DE ASSISTÊNCIA ANUAL/A CADA 150 000 OPERAÇÕES	282
5.4 KIT DE MANUTENÇÃO	282
5.5 FERRAMENTAS DE ASSISTÊNCIA	282
5.6 ÓLEO HIDRÁULICO	282
5.7 INSTRUÇÕES DE DESMONTAGEM	283
5.8 PROTECÇÃO DO AMBIENTE	285
6. MONTAGEM GERAL E LISTA DE PEÇAS	286
6.1 MONTAGEM GERAL	286
6.2 LISTA DE PEÇAS	288
7. DADOS DE SEGURANÇA	289
7.1 ÓLEO HIDRÁULICO ENERPACE® HF HYDRAULIC OIL: DADOS DE SEGURANÇA	289
7.2 MASSA LUBRIFICANTE MOLYLITHIUM EP 3753: DADOS DE SEGURANÇA	289
7.3 MASSA LUBRIFICANTE MOLYKOTE® 111: DADOS DE SEGURANÇA	290
8. DIAGNÓSTICO DE AVARIAS	291
9. DECLARAÇÃO CE DE CONFORMIDADE	293
10. DECLARAÇÃO DE CONFORMIDADE DO REINO UNIDO	294
11. PROTEJA O SEU INVESTIMENTO!	295



Este manual de instruções deve ser lido por qualquer pessoal responsável pela instalação ou utilização desta ferramenta, com especial atenção às seguintes instruções ou avisos de segurança.



Use sempre protecção ocular resistente a impacto quando utilizar a ferramenta. O grau de protecção necessário deve ser avaliado de acordo com cada utilização.



A utilização da ferramenta pode expor as mãos do operador a riscos, incluindo esmagamento, impactos, cortes, desgaste e calor. Use luvas adequadas para proteger as mãos.



Utilize protecção auditiva de acordo com as instruções do empregador e em conformidade com os regulamentos de segurança e saúde no trabalho.

1. DEFINIÇÕES DE SEGURANÇA

As definições abaixo descrevem a gravidade de cada aviso. Leia o manual e preste atenção a estes símbolos.



PERIGO: Indica uma situação de perigo iminente que, se não for evitada, resulta na morte ou em ferimentos graves.



ATENÇÃO: Indica uma situação de possível perigo que, se não for evitada, pode resultar em morte ou em ferimentos graves.



AVISO: Indica uma situação de possível perigo que, se não for evitada, pode resultar em ferimentos ligeiros ou moderados.



AVISO: Utilizado sem o símbolo de aviso de segurança indica uma situação potencialmente perigosa que, se não for evitada, pode resultar em danos materiais.

A utilização ou manutenção inadequadas deste produto podem resultar em ferimentos graves ou danos materiais. Antes de utilizar este equipamento, leia e compreenda todos os avisos e instruções de funcionamento. Quando utilizar ferramentas eléctricas, devem ser sempre tomadas precauções básicas de segurança para reduzir o ferimentos pessoais.

GUARDE TODOS OS AVISOS E INSTRUÇÕES PARA REFERÊNCIA FUTURA.

1.1 REGRA DE SEGURANÇA GERAL

- Para evitar vários riscos, leia e compreenda as instruções de segurança antes de instalar, utilizar, reparar, fazer a manutenção, substituir acessórios ou trabalhar perto da ferramenta. Se não o fizer, podem ocorrer ferimentos graves.
- Apenas os operadores qualificados e com formação devem instalar, regular ou utilizar a ferramenta.
- NÃO utilize o equipamento para outro efeito que não seja fixar rebites cegos da STANLEY Engineered Fastening.
- Utilize apenas as peças, fechos e acessórios recomendados pelo fabricante.
- NÃO modifique a ferramenta. As modificações podem reduzir a eficiência das medidas de segurança e aumentar os riscos para o operador. Se for efectuada qualquer modificação na ferramenta pelo cliente, este será o único responsável e quaisquer garantias aplicáveis serão anuladas.
- Não elimine as instruções de segurança, entregue-as ao operador.
- Não utilize a ferramenta se estiver danificada.
- Antes de utilizar a ferramenta, verifique se as peças móveis da ferramenta estão alinhadas e não emperram, bem como se existem peças partidas ou quaisquer outras condições que possam afectar o funcionamento da mesma. Se a ferramenta apresentar danos, esta deve ser reparada pelo centro de assistência antes de voltar a utilizá-la. Retire qualquer chave de fenda ou ajuste antes de utilizar a ferramenta.
- As ferramentas devem ser inspeccionadas periodicamente para verificar se as classificações e marcas exigidas por esta parte da ISO 11148 estão legíveis na ferramenta. O empregador/utilizador deve entrar em contacto com o fabricante para obter as etiquetas de marcação sobresselentes, se necessário.
- A manutenção da ferramenta deve ser sempre efectuada num local de trabalho seguro e deve ser examinada em intervalos regulares em termos de danos e funcionamento por pessoal com formação. Os procedimentos de desmontagem devem ser efectuados apenas por técnicos qualificados. Só deve desmontar esta ferramenta depois de consultar as instruções de manutenção.

1.2 RISCO DE PROJECÇÃO

- Desligue a ferramenta da bomba hidráulica antes de efectuar qualquer manutenção, ajuste, instalação ou remoção de uma ponteira ou acessórios.

- Tenha em atenção que a falha da peça de trabalho ou dos acessórios ou mesmo a ferramenta inserida pode resultar em projecteis a elevada velocidade.
- Use sempre protecção ocular resistente a impacto quando utilizar a ferramenta. O grau de protecção necessário deve ser avaliado de acordo com cada utilização.
- Os riscos para terceiros deve ser também avaliado nesta altura.
- Verifique se a peça de trabalho está fixada correctamente.
- Verifique se o tipo de protecção contra ejeção do fecho e/ou do mandril está instalado e operacional.
- Esteja preparado contra possível ejeção potente dos mandris na parte da frente da ferramenta.
- NÃO aponte a ferramenta ligada a pessoas.

1.3 RISCOS DURANTE O FUNCIONAMENTO

- A utilização da ferramenta pode expor as mãos do operador a riscos, incluindo esmagamento, impactos, cortes, desgaste e calor. Use luvas adequadas para proteger as mãos.
- Os operadores e os técnicos de manutenção devem ter capacidade para lidar com o volume, peso e potência da ferramenta.
- Segure a ferramenta correctamente. Prepare-se para reagir a movimentos normais ou súbitos e deve ter as mãos disponíveis.
- Mantenha as pegas da ferramenta secas, limpas e sem óleo e massa lubrificante.
- Quando utilizar a ferramenta, mantenha o corpo equilibrado e os pés bem assentes.
- Liberte o dispositivo de arranque e paragem no caso de interrupção do fornecimento hidráulico.
- Utilize apenas os lubrificantes recomendados pelo fabricante.
- O contacto com fluido hidráulico deve ser evitado. Para minimizar a probabilidade de alergia, se houver contacto, lave bem a área afectada.
- As fichas de dados de segurança de material de todos os óleos hidráulicos e lubrificantes estão disponíveis mediante pedido, junto do seu fornecedor de ferramentas.
- Evite uma postura não adequada, porque é provável que estas posições não permitam uma reacção para movimentos normais ou inesperados da ferramenta.
- Se a ferramenta estiver fixada num dispositivo de suspensão, certifique-se de que a fixação está segura.
- Se a ponteira não estiver instalada, corre o risco de ficar esmagado ou entalado.
- NÃO utilize a ferramenta sem a caixa da ponteira.
- Antes de continuar, é necessário que o utilizador da ferramenta tenha espaço adequado para manuseá-la.
- Quando transportar a ferramenta de um local para outro, mantenha as mãos afastadas do gatilho para impedir qualquer activação inadvertida.
- NÃO utilize a ferramenta de maneira abusiva, deixando-a cair ou utilizá-la como um martelo.
- Deve ter cuidado para certificar-se de que os mandris gastos não representam um perigo.

1.4 RISCO DE MOVIMENTO REPETITIVO

- Quando utilizar a ferramenta, o operador pode sentir desconforto nas mãos, braços, ombros, pescoço ou noutras partes do corpo.
- Quando utilizar a ferramenta, o operador deve ter uma postura confortável, bem como ter os pés assentes e evitar posições incómodas ou sem equilíbrio. O operador deve mudar de posição durante tarefas prolongadas. Isto pode ajudar a evitar desconforto e fadiga.
- Se o operador tiver sintomas como desconforto persistente ou recorrente, dor, palpitações, cansaço, formigueiro, dormência, sensação de ardor ou rigidez, estes sinais de aviso não devem ser ignorados. O operador deve informar o empregador e contactar um profissional de saúde qualificado.

1.5 RISCO RELACIONADO COM ACESSÓRIOS

- Desligue a ferramenta da fonte de alimentação hidráulica e eléctrica antes de montar ou retirar a ponteira ou o acessório.
- Utilize apenas acessórios e consumíveis cujo tamanho e tipo sejam recomendados pelo fabricante da ferramenta. Não utilize acessórios ou consumíveis de outro tipo ou tamanho.

1.6 RISCO NO LOCAL DE TRABALHO

- Deslizes, tropeções e quedas são as principais causas de ferimentos no local de trabalho. Esteja atento a superfícies escorregadias resultantes da utilização da ferramenta e também ao risco de tropeçar no tubo de ar ou na mangueira hidráulica.

- Tenha cuidado quando trabalhar em locais onde não esteja familiarizado. Pode haver perigos escondidos, como cabos de electricidade ou outras linhas de serviços públicos.
- A ferramenta não foi concebida para ser utilizada em ambientes potencialmente explosivos e não está isolada contra o contacto com energia eléctrica.
- Verifique se não há cabos eléctricos, tubos de gás, etc., que possam dar origem a situações de perigo se forem danificados pela utilização da ferramenta.
- Use vestuário adequado. Não use roupa larga ou jóias. Mantenha o cabelo, a roupa e as luvas afastados das peças móveis. As roupas largas, as jóias ou o cabelo comprido podem ficar presos nestas peças.
- Deve ter cuidado para certificar-se de que os mandris gastos não representam um perigo.

1.7 RISCO DE RUÍDO

- A exposição a níveis elevados de ruído pode causar perda auditiva permanente, incapacitante e outros problemas, como zumbido nos ouvidos. Por conseguinte, é essencial avaliar o risco e a implementação de controlos adequados para estes riscos.
- Controlos adequados para reduzir o risco podem incluir medidas como materiais de isolamento para impedir que as peças de trabalho causem zumbido.
- Utilize protecção auditiva de acordo com as instruções do empregador e em conformidade com os regulamentos de segurança e saúde no trabalho.
- Utilize e faça a manutenção da ferramenta conforme recomendado no manual de instruções para evitar um aumento desnecessário do nível de ruído.

1.8 RISCO DE VIBRAÇÃO

- A exposição às vibrações pode causar danos incapacitantes nos nervos e fornecimento de sangue nas mãos e nos braços.
- Use roupa quente quando trabalhar em locais frios e mantenha as mãos quentes e secas.
- Se sentir dormência, formigueiro, dor ou branqueamento da pele nos dedos ou nas mãos, pare de utilizar a ferramenta, informe o seu superior e contacte um médico.
- Se possível, suporte o peso da ferramenta numa bancada, tensor ou equalizador, porque uma fixação mais leve pode ser utilizada para suportar a ferramenta.

1.9 INSTRUÇÕES ADICIONAIS DE SEGURANÇA PARA FERRAMENTAS ELECTRO-HIDRÁULICAS

- O valor de fornecimento hidráulico não deve exceder 550 bar (8000 PSI).
- O óleo sob pressão pode causar ferimentos graves.
- Não instale mangueiras hidráulicas flexíveis com uma pressão de funcionamento inferior a 700 bar (10 000 PSI) a um caudal de 2,73 l/minuto (200 em 3/min).
- Nunca deixe a ferramenta a funcionar sem assistência. Se não utilizar a ferramenta, desligue a mangueira hidráulica e o cabo eléctrico da bomba antes de substituir acessórios ou quando efectuar reparações.
- O efeito de chicote das mangueiras pode causar ferimentos graves. Verifique sempre se existem mangueiras e acessórios danificados ou soltos.
- Antes de utilizar o equipamento, inspeccione se as mangueiras hidráulicas apresentam danos, todas as ligações hidráulicas devem estar limpas, totalmente encaixadas e apertadas antes da utilização. Não deixe cair objectos pesados em cima das mangueiras. Um golpe forte pode causar danos internos e dar origem à falha prematura do tubo.
- Sempre que utilizar acoplamentos torcidos universais (acoplamentos de garra), devem ser instalados pinos de segurança e cabos de segurança para mangueiras como protecção contra possíveis falhas entre a mangueira e a ferramenta ou entre a mangueira e a mangueira.
- NÃO levante a ferramenta de colocação pela mangueira ou pelo cabo eléctrico. Utilize sempre a pega da ferramenta de colocação.
- NÃO puxe ou mova a bomba hidráulica pelas mangueiras. Utilize sempre a pega da bomba ou a gaiola de protecção.
- Mantenha o sistema hidráulico da ferramenta limpo de sujidade e substâncias estranhas, porque podem causar uma avaria da ferramenta.
- Utilize apenas equipamento de enchimento e lubrificação limpos.
- Podem ser utilizados apenas os fluidos hidráulicos recomendados.
- As unidades de potência exigem um caudal de ar para refrigeração e, por conseguinte, devem ser colocadas numa área bem ventilada sem vapores perigosos.
- A temperatura máxima do fluido hidráulico na entrada é de 110 °C.

A política da STANLEY Engineered Fastening promove o desenvolvimento e o melhoramento contínuo de produtos e reservamo-nos o direito de alterar as especificações de quaisquer produtos sem aviso prévio.

2. CARACTERÍSTICAS TÉCNICAS

2.1 UTILIZAÇÃO PRETENDIDA

A ferramenta de instalação AV™ 30 é, essencialmente, o conjunto de um pistão e de um cilindro. Quando é ligada de maneira hidráulica e eléctrica a uma fonte de alimentação hidráulica compatível e a ponteira está montada, é utilizada para fixar fechos de 1/2" a 5/8" Avbolt® e 1/2" a 3/4" Avdelok® XT em ambientes industriais.

A ferramenta de colocação e a bomba hidráulica só podem ser utilizadas de acordo com as instruções de funcionamento para colocação de rebites estruturais da Stanley Engineered Fastening.

Consulte a tabela indicada abaixo para obter a lista de fechos aplicáveis e equipamento da ponteira associado. Consulte as fichas de dados indicadas na tabela para obter as instruções sobre a ponteira.

NÃO utilize a ferramenta em ambientes húmidos ou na presença de gases ou líquidos inflamáveis.

FECHO		PONTEIRA			PONTEIRA FICHA DE DADOS
TIPO	TAMANHO	NÚMERO DA PEÇA	DIM. "A"	DIM. "B"	NÚMERO DA PEÇA
AVBOLT®	1/2"	73412-03600	113 mm	43 mm	07900-00905
	5/8"	73412-03400	113 mm	52 mm	07900-00905
AVDELOK® XT	1/2"	73412-03100	113 mm	43 mm	07900-00919
	5/8"	73412-03200	115 mm	48 mm	07900-00919
	3/4"	73412-03300	134 mm	56 mm	07900-00919

*Ponteira com sistema de libertação do mordente.

Consulte a imagem indicada na página 278 para identificar as dimensões da ponteira "A" e "B".

As instruções de segurança devem ser sempre cumpridas.

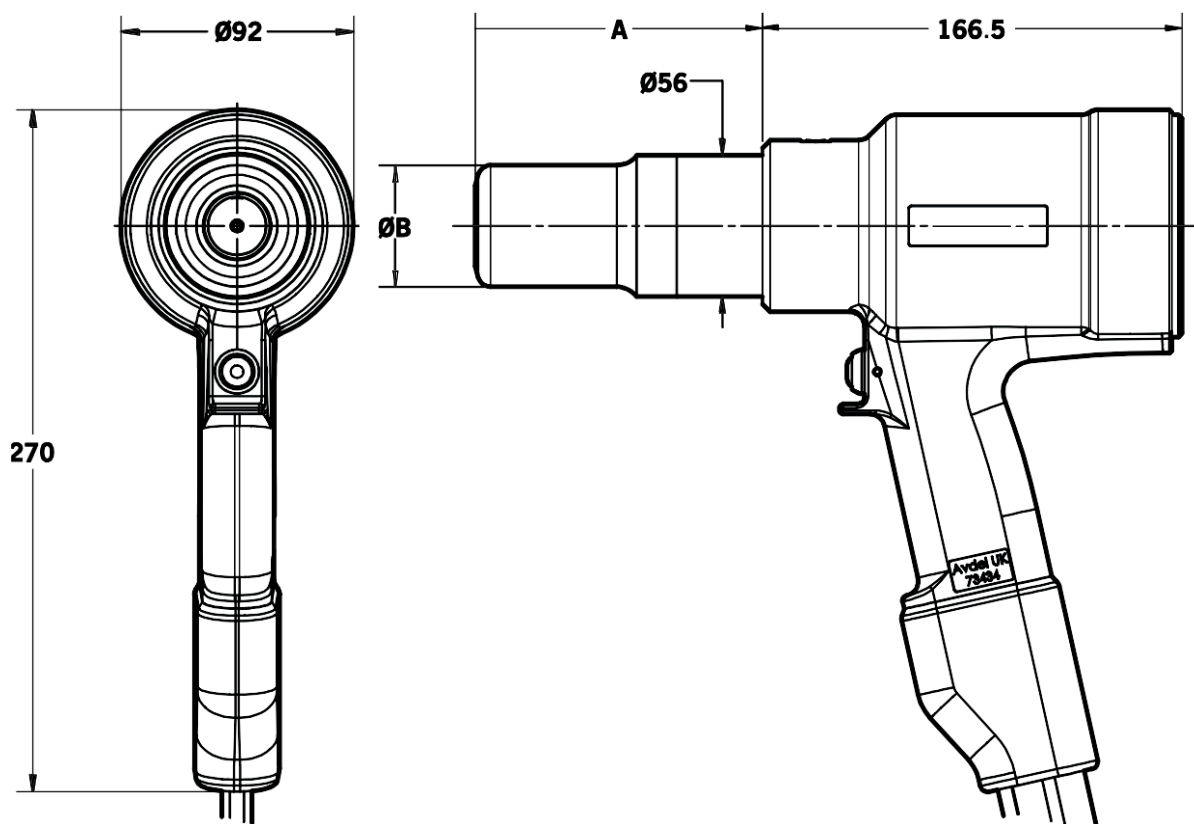
2.2 ESPECIFICAÇÕES DA FERRAMENTA

CARACTERÍSTICAS TÉCNICAS		SISTEMA MÉTRICO	SISTEMA IMPERIAL
Força:	Puxe de acordo com a pressão de tracção indicada	175,0 kN	39341,0 lbf
	Empurre de acordo com a pressão de retorno indicada	80,0 kN	17985,0 lbf
Pressão:	Tracção	510 bar	7397 PSI
	Regresso	200 bar	2901 PSI
Curso:	Curso do pistão	41,0 mm	1,61 pol
Peso:	Sem equipamento com bocal	6,9 kg	15,3 lb
Óleo hidráulico:	Óleo hidráulico Enerpac® – HF-95X		
Gama de produtos:	Avbolt®	12,7 a 15,9 mm	1/2 a 5/8 pol
	Avdelok® XT	12,7 a 19,1 mm	1/2 a 3/4 pol
Funções adicionais:	Ejecção da haste – dianteira ou traseira	Parte da frente	
	Disposição dos vedantes	Anéis de selagem e vedação	
	Anéis dos mancais hidráulicos	Sim – Parte da frente	
	Pega de protecção/mangueira gator	Sim	
	Resguardo da mangueira de protecção	Sim	
	Mangueira/braçadeira de cabos	Sim	

Os valores de ruído são determinados de acordo com o código de ensaio de ruído ISO 15744 e ISO 3744.		AV30
Nível de potência sonora com ponderação A dB(A), L_{WA}	Variabilidade do ruído: $k_{WA} = 3,0$ dB(A)	94,3 dB(A)
Um nível de emissão de pressão sonora com ponderação A na estação de trabalho dB(A), L_{pA}	Variabilidade do ruído: $k_{pA} = 3,0$ dB(A)	83,3 dB(A)
Nível de emissão de pressão sonora com ponderação dB(C), L_{pC} pico	Variabilidade do ruído: $k_{pC} = 3,0$ dB(C)	128,1 dB(C)

Os valores de ruído são determinados de acordo com o código de ensaio de vibrações ISO 20643 e ISO 5349.		AV30
Nível de emissão de vibrações, a_{hd} :	Variabilidade de vibração: $k = 0,48$ m/s ²	0,952 m/s ²
Valores de emissão de vibrações declarados de acordo com a norma EN 12096		

2.3 DIMENSÕES DA FERRAMENTA



Todas as dimensões são indicadas em milímetros.

Consulte a tabela indicada na página 277 para indicar as dimensões da ponteira "A" e "B".

A ferramenta está equipada com duas mangueiras hidráulicas e um cabo de controlo eléctrico, 0,6 m de comprimento. Está disponível uma mangueira hidráulica e extensões de cabo adicionais para encomenda em separado, conforme necessário. Consulte a tabela indicada abaixo para obter os comprimentos de conjunto de mangueiras disponíveis e números de peça associados.

CONJUNTO DE MANGUEIRAS HIDRÁULICAS	
NÚMERO DA PEÇA	COMPRIMENTO DA MANGUEIRA
07008-00448	5 metros
07008-00449	10 metros
07008-00450	15 metros

3. COLOCAÇÃO EM FUNCIONAMENTO

3.1 PRINCÍPIO DE FUNCIONAMENTO

IMPORTANTE: LEIA AS REGRAS DE SEGURANÇA NAS PÁGINAS 274 – 276 E DO MANUAL DE INSTRUÇÕES DA BOMBA COM ATENÇÃO ANTES DE COLOCAR A FERRAMENTA EM FUNCIONAMENTO.

Se as mangueiras e o cabo de controlo estiverem ligados à bomba hidráulica Avdel®/Enerpac®, os ciclos de tracção e retorno da ferramenta são controlados pela pressão e libertação do gatilho localizado na pega.

Quando o interruptor é pressionado na válvula solenóide, situado na bomba hidráulica, é energizado e direcciona o fluxo de óleo pressurizado para o lado de tracção do pistão na ferramenta de colocação. Isto também permite o retorno do óleo no lado de retorno da ferramenta de colocação para o depósito.

Durante os ciclos de tracção, o conjunto de pistões/pinças move-se na direcção da parte de trás da ferramenta, o que permite à almofada semelhante a uma junta tórica empurrar o apalpador e os mordentes para a frente. Se um fecho tiver sido inserido na ponteira, o conjunto de mordentes será fixado no pino e a montagem é iniciada.

Para Avbolt® e Avdelok® XT, o ciclo de instalação irá fixar primeiro a junta que vai ser apertada e, em seguida, à medida que a bigorna continua a avançar, o anel vai ser rebitado nas ranhuras de bloqueio do pino. No final do ciclo de estampagem, a bigorna fica encostada à junta e à medida que o movimento continua, o pino é partida.

O gatilho deve ser libertado de imediato se o pino se partir. A libertação do gatilho faz com que o solenóide fique desenergizado e inverta o fluxo do óleo pressurizado.

Se o gatilho não for libertado, o pistão da ferramenta de colocação continua a mover-se para a parte de trás da ferramenta até atingir o fim do curso. A pressão no lado de tracção aumenta até ser atingido um valor predefinido de “Pressão elevada” na bomba. Nesta altura, a válvula solenóide é desenergizada automaticamente e inverte o fluxo de óleo pressurizado para o lado de retorno da ferramenta de colocação.

Seja como for, o óleo pressurizado flui para o lado de retorno da ferramenta de colocação e o óleo no lado de tracção regressa para o depósito.

O movimento de avanço do conjunto do pistão/pinça ejecta o fecho instalado da bigorna.

No momento de libertação do gatilho ou quando for atingido o valor “Pressão elevada”, a válvula solenóide é desenergizada e activa um “Temporizador de retorno” predefinido. Isto controla a hora em que o motor da bomba continua a funcionar antes de mudar para o modo inactivo. O temporizador pode ser definido manualmente entre 5 e 20 segundos para garantir que o pistão da ferramenta de colocação regressa sempre totalmente para a posição de avanço (consulte o manual da bomba 07900-01030, páginas 10 e 13).

Quando o pistão volta para a posição de avanço total, a pressão aumenta para o valor de pressão reduzida predefinida, c200bar. O motor da bomba continua a funcionar até o temporizador de retorno ter expirado. Após este período de tempo, o motor pára automaticamente e a válvula muda para a posição de inactividade. Em seguida, a válvula solenóide efectua um ciclo automático para libertar o óleo sob pressão para o depósito do lado de tracção e de retorno da ferramenta de colocação.

Isto mantém a ferramenta de instalação na posição de avanço. Deste modo, não existe pressão no sistema hidráulico.

A bomba hidráulica é iniciada automaticamente quando pressiona o gatilho da ferramenta.

3.2 PREPARAÇÃO PARA UTILIZAÇÃO

ATENÇÃO: É IMPORTANTE QUE AS PRESSÕES DE TRACÇÃO E RETORNO ESTEJAM CORRECTAS PARA QUE A FERRAMENTA DE INSTALAÇÃO FUNCIONE CORRECTAMENTE. PODEM OCORRER FERIMENTOS OU DANOS NO EQUIPAMENTO SE NÃO FOREM DEFINIDAS AS PRESSÕES CORRECTAS. AS PRESSÕES DE TRACÇÃO E RETORNO FORNECIDAS PELA BOMBA HIDRÁULICA NÃO DEVEM EXCEDER AS PRESSÕES INDICADAS NA ESPECIFICAÇÃO DA FERRAMENTA DE COLOCAÇÃO.

IMPORTANTE: ANTES DE COLOCAR O CONJUNTO DA FERRAMENTA DE COLOCAÇÃO E A MANGUEIRA HIDRÁULICA EM FUNCIONAMENTO:

VERIFIQUE SE AS VÁLVULAS DE LIBERTAÇÃO DE PRESSÃO DA BOMBA FORAM DEFINIDAS DE ACORDO COM AS INSTRUÇÕES DE BOMBA E AS PRESSÕES MÁXIMAS ESPECIFICADAS PARA A FERRAMENTA DE COLOCAÇÃO E AS MANGUEIRAS.

VERIFIQUE SE O CONJUNTO DA MANGUEIRA É ENCHIDO COM FLUIDO HIDRÁULICO DE ACORDO COM O PROCEDIMENTO INDICADO NO MANUAL DE INSTRUÇÕES DA BOMBA 07900-01030.

- Verifique se a fonte de alimentação de rede da bomba hidráulica está desligada.
- Ligue os acoplamentos rápidos da mangueira hidráulica da ferramenta de colocação antes de ligar o cabo de controlo eléctrico. As mangueiras e o cabo de controlo devem ser ligados por esta ordem e desligados pela ordem inversa.
- Ligue a fonte de alimentação de rede à bomba hidráulica. Aguarde 5 segundos até a bomba concluir a sequência de arranque, antes de pressionar o gatilho. Quando tudo estiver pronto, o visor LCD na bomba apresenta a mensagem "AVDEL".
- Durante a sequência de arranque, o sistema de controlo da bomba identifica qualquer operação de activação como possível avaria e impede o arranque do motor. O visor LCD apresenta a mensagem "AVARIA DO BOTÃO". Desligue a fonte de alimentação durante 10 segundos para repor o equipamento.
- Verifique se a ferramenta de colocação está posicionada abaixo dos depósitos da bomba. Pressione e liberte o gatilho da ferramenta de colocação algumas vezes a um valor aproximado do curso máximo da ferramenta para circular o fluido hidráulico e expelir o ar da ferramenta.
- Verifique o funcionamento da ferramenta. Verifique se existem fugas e certifique-se de que, no modo de inactividade, o pistão está na posição totalmente para a frente. A ferramenta de colocação é accionada.
- Desligue a fonte de alimentação de rede que liga à bomba hidráulica e depois desligue a ferramenta de colocação da bomba pela ordem inversa descrita acima.
- Em seguida, ligue a ferramenta de colocação ao conjunto da mangueira hidráulica escorvada e o cabo de controlo hidráulico. Depois ligue o conjunto da mangueira hidráulica e o cabo de controlo eléctrico à bomba.
- Insira a ponteira na ferramenta de acordo com as instruções na ficha de dados da ponteira.
- Ligue a fonte de alimentação de rede à bomba hidráulica, como descrito acima.
- Pressione e liberte o gatilho da ferramenta de colocação algumas vezes a um valor aproximado do curso máximo da ferramenta para circular o fluido hidráulico.
- A ferramenta de colocação está pronta a ser utilizada.

4. INSTRUÇÕES DE FUNCIONAMENTO

4.1 INSERIR UM FECHO AVBOLT®

- Verifique o resultado e retire o excesso de folga. (Folga é o espaço entre os componentes da junta. A folga é excessiva se não tiver hastes do pino através do anel nas quais os mordentes podem ser agarrados).
- Coloque o fecho Avbolt® no furo.
- Empurre a ponteira para dentro do pino até a bigorna da ponteira bater no anel. A ferramenta e a ponteira devem ser colocadas a um ângulo recto (90°) em relação à peça.
- Pressione o gatilho da ferramenta para iniciar o ciclo de instalação.
- Quando o movimento de avanço da bigorna da ponteira parar e o pino se partir, liberte o gatilho. A ferramenta muda para o curso de retorno e empurra o fecho instalado. Na extremidade do curso de retorno, os mordentes são parcialmente libertados para libertar o pino do fecho alargado, que pode ser retirado inclinando a ponteira da ferramenta para baixo.
- Depois do fecho colocado ser ejectado, a ferramenta e a ponteira estão prontos para a instalação seguinte.

4.2 INSERIR UM FECHO AVDELOK®

- Verifique o resultado e retire o excesso de folga. (Folga é o espaço entre os componentes da junta. A folga é excessiva se não tiver hastes do pino através do anel nas quais os mordentes podem ser agarrados).
- Coloque o fecho Avdelok® no furo.
- Deslize o anel Avdelok® sobre o pino. (O lado biselado do anel deve estar virado para a ponteira e para a ferramenta.)
- Empurre a ponteira para dentro do pino até a bigorna da ponteira bater no anel. A ferramenta e a ponteira devem ser colocadas a um ângulo recto (90°) em relação à peça.
- Pressione o gatilho da ferramenta para iniciar o ciclo de instalação.
- Quando o movimento de avanço da bigorna da ponteira parar e o pino se partir, liberte o gatilho. A ferramenta muda para o curso de retorno e empurra o fecho instalado. Na extremidade do curso de retorno, os mordentes são parcialmente libertados para libertar o pino do fecho alargado, que pode ser retirado inclinando a ponteira da ferramenta para baixo.
- Depois do fecho instalado ser ejectado, a ferramenta e a ponteira estão prontas para a instalação seguinte.

CUIDADO: NÃO TENHA TENTADO PARTIR O PINO SEM A INSTALAÇÃO DE UM ANEL PORQUE PODE FAZER COM QUE A PARTE NÃO PROTEGIDA DO ANEL AVDELOK® OU DO PINO AVBOLT® SEJA EJECTADA DA PONTEIRA COM FORÇA E A UMA ELEVADA VELOCIDADE.

5. ASSISTÊNCIA DA FERRAMENTA

IMPORTANTE: LEIA AS INSTRUÇÕES DE SEGURANÇA INDICADAS NAS PÁGINAS 274 - 276. O EMPREGADOR É RESPONSÁVEL POR GARANTIR QUE AS INSTRUÇÕES DE MANUTENÇÃO DA FERRAMENTA SÃO FORNECIDAS AOS TÉCNICOS ADEQUADOS. O OPERADOR NÃO DEVE PROCEDER À MANUTENÇÃO OU REPARAÇÃO DA FERRAMENTA, A MENOS QUE TENHA RECEBIDO FORMAÇÃO ADEQUADA. A FERRAMENTA DEVE SER VERIFICADA COM FREQUÊNCIA EM TERMOS DE DANOS E AVARIA.

5.1 ASSISTÊNCIA DIÁRIA

- Verifique se a ferramenta de colocação, as mangueiras e os acoplamentos apresentam fugas de óleo.
- As mangueiras e os acoplamentos gastos ou danificados devem ser substituídos.
- Verifique se o curso da ferramenta está de acordo com as especificações.
- Verifique se o deflector de haste está instalado.
- Verifique se a válvula de libertação de pressão de tracção/avanço da bomba está a funcionar correctamente.
- Verifique se a bigorna está gasta, através das marcas de desgaste no anel instalado. Isto também pode ser confirmado através dos dados instalados no catálogo de fechos. O desgaste excessivo pode causar roturas na bigorna.

5.2 ASSISTÊNCIA SEMANAL

- Desmonte e limpe a ponteira, em especial os mordentes, como descrito na ficha de dados da ponteira.
- Verifique se há fugas de óleo na ferramenta de colocação, mangueiras e acoplamentos rápidos

ATENÇÃO: nunca utilize solventes ou outros produtos químicos abrasivos para limpar as peças não metálicas da ferramenta. Estes produtos químicos podem enfraquecer os materiais utilizados nestas peças.

5.3 OPERAÇÕES DE ASSISTÊNCIA ANUAL/A CADA 150 000 OPERAÇÕES

- A ferramenta deve ser desmontada por completo a cada 150 000 ciclos e devem ser utilizados novos componentes caso apresentem desgaste ou danos ou conforme recomendado. Todas as juntas tóricas, anéis de encosto e vedantes devem ser substituídos e lubrificados com massa lubrificante MolyKote® 111 antes da montagem.

5.4 KIT DE MANUTENÇÃO

Para efectuar um serviço completo, está disponível o seguinte kit de serviço:

KIT DE MANUTENÇÃO: 73432-99990			
NÚMERO DA PEÇA	DESCRIÇÃO	NÚMERO DA PEÇA	DESCRIÇÃO
07005-10118	Acoplamento rápido, macho	07900-00972	Haste do bucim dianteiro AV30
07005-10120	Acoplamento rápido, fêmea	07900-00963	Guia do pistão AV30
07900-00958	Corpo da ferramenta da tampa	07992-00020	Massa lubrificante: MolyLithium EP3753
07900-00969	Casquilho de vedação do pistão AV30	07900-00755	Massa lubrificante: Molykote® 111
07900-00970	Êmbolo do vedante do pistão AV30	07900-00756	Trava-rosca Loctite® 243
07900-00971	Marca do pistão AV30, parte da frente		

5.5 FERRAMENTAS DE ASSISTÊNCIA

As seguintes ferramentas padrão também são necessárias:

- Chave Allen: 2,0/3,0 mm
- Chave de porcas plana: 12/14/18/24/45 mm A/F
- Fita de PTFE: 10 mm
- Torno de bancada com protecções das mandíbulas, 150 mm

5.6 ÓLEO HIDRÁULICO

ATENÇÃO: Utilize apenas o óleo hidráulico Enerpac® HF. Se for utilizado outro óleo, a ferramenta de colocação e a bomba podem avariar, o que resulta na anulação da garantia da ferramenta de colocação.

O óleo hidráulico pode ser encomendado através dos seguintes números de peça.

ÓLEO HIDRÁULICO			
NÚMERO DA PEÇA	07992-00081	07992-00082	07992-00083
Número da peça Enerpac®	HF-95X	HF-95Y	HF-95T
Volume	1 litro	5 litros	20 litros
Viscosidade	32 mm ² /s	32 mm ² /s	32 mm ² /s

5.7 INSTRUÇÕES DE DESMONTAGEM

IMPORTANTE: VERIFIQUE SE A FONTE DE ALIMENTAÇÃO DE REDE DA BOMBA HIDRÁULICA ESTÁ DESLIGADA ANTES DE REMOVER A PONTEIRA OU DESMONTAR A FERRAMENTA DE COLOCAÇÃO.

Antes de desmontar:

- Desmonte os acoplamentos rápidos **10** e **11** e o cabo de controlo eléctrico **14** entre a ferramenta de colocação e o conjunto de mangueiras hidráulicas.
- Retire a ponteira da ferramenta de colocação de acordo com as instruções na ficha de dados da ponteira.
- As substâncias potencialmente perigosas que podem acumular-se na máquina como resultado dos processos de trabalho devem ser removidas antes da manutenção.

Para efectuar uma reparação completa da ferramenta, é aconselhável desmontar a ferramenta pela ordem indicada nas páginas 283 a 285. Depois de desmontar a ferramenta, é aconselhável que substitua todos os vedantes.

Conjunto dos pistões da cabeça:

- Com uma chave de parafusos plana pequena, retire o pino **41** do mandril de fixação **40**.
- Desaperte e retire o mandril de fixação **40** do pistão **1**.
- Fixe o cabo da ferramenta num torno com mordentes suaves para que a ponteira da ferramenta fique a apontar para baixo.
- Ligue o *acoplamento rápido macho sobresselente no acoplamento rápido fêmea **11** na mangueira hidráulica de retorno **18**. Isto permite libertar a pressão no lado de retorno e facilita a remoção da tampa **1** e facilita a remoção da tampa da extremidade **17**.
- Insira o *corpo da ferramenta de montagem de tampas na tampa da extremidade **17**.
- Com uma chave inglesa A/F de 24 mm, desaperte e retire a tampa da extremidade **17** do corpo **2**.
- Com uma chave de parafusos plana pequena, retire a junta tórica **21** da tampa da extremidade **17** e elimine-a.
- Utilizando uma chave de parafusos plana pequena ou uma ferramenta semelhante, retire a junta tórica **30** e o anel de encosto espiral **36**, da ranhura externa da tampa de extremidade **17** e elimine-a. Quando retirar os vedantes, tenha cuidado para não danificar a superfície da tampa da extremidade com a chave de parafusos.
- Retire a ferramenta de colocação do torno e esvazie o óleo hidráulico da parte de trás da ferramenta. Retire o *acoplamento rápido, macho sobresselente do acoplamento rápido, fêmea **11**.
- Ligue o *acoplamento rápido fêmea sobresselente ao acoplamento rápido macho **10** na mangueira hidráulica de tracção **19**. Isto permite libertar a pressão no lado de tracção do pistão **1** e facilita a remoção do pistão **1**.
- Aperte a *marca do pistão, parte da frente, na parte da frente do pistão **1**.
- Coloque a ponteira do corpo **2** virada para cima numa bancada. Em seguida, com um martelo macio, bata no pistão **1** na direcção da parte de trás do corpo e para fora da extremidade traseira com cuidado para não danificar o diâmetro interno no corpo.
- Tenha em atenção que quando retirar o pistão **1**, o óleo no lado de tracção do pistão sai da parte da frente e de trás do corpo **2**.
- Quando retirar o pistão **1**, o buçim dianteiro **15** pode ficar preso no eixo do pistão. Se for o caso, desaperte a *marca do pistão na parte dianteira e puxe o buçim dianteiro para fora do pistão.
- O vedante do pistão **26** é um vedante de 2 peças composto por um anel vedante externo e uma junta tórica interna. Com uma faca pequena, corte através do anel vedante externo e retire-o a partir da ranhura externa no pistão **1**. Em seguida, com uma chave de parafusos plana pequena, retire a junta tórica interna do pistão e elimine-a. Quando retirar os vedantes, tenha cuidado para não danificar a superfície do pistão.

Todos os números indicados a **negrito** dizem respeito à montagem geral e à lista de peças nas páginas 286, 287e 288.

* O kit de serviço está indicado na página 282.

- Se, mesmo assim, o bucim dianteiro **15** ficar preso no corpo **2**. Coloque a ponteira em cima de uma bancada e depois empurre o bucim dianteiro da parte da frente até se libertar do encaixe no corpo. Em seguida, o bucim dianteiro pode ser retirado da traseira do corpo. Quando fizer essa acção, tenha cuidado para não danificar o furo no corpo.
- Com uma chave de parafusos plana pequena, retire a junta tórica **23** e o anel de encosto espiral **34** da ranhura externa no bucim dianteiro **15** e elimine-os. Quando retirar os vedantes, tenha cuidado para não danificar a superfície do bucim dianteiro com a chave de parafusos.
- Retire o vedante da haste **25** e o anel de selagem **22** das ranhuras internas no bucim dianteiro **15**, e elimine-os. Quando retirar os vedantes, tenha cuidado para não danificar a superfície do bucim dianteiro com a chave de parafusos.
- Retire o anel do mancal dianteiro **24** e verifique se a peça apresenta sinais de desgaste ou danos. Elimine-a, se for necessário.
- Com uma chave de parafusos plana pequena, retire a junta tórica **21** do corpo **2** e elimine-a.
- Retire o *acoplamento rápido fêmea sobresselente do acoplamento rápido macho **10** na mangueira hidráulica de tracção **19**.
- Não retire o parafuso de fixação **42** do corpo **2**.

Monte pela ordem inversa da desmontagem, tendo em atenção os seguintes pontos:

- Limpe todos os componentes antes de proceder à montagem.
- Para facilitar a montagem dos vedantes, aplique uma camada ligeira de massa lubrificante Molykote® 111 em todos os vedantes, ranhuras dos vedantes, anéis de encosto espiral e ferramentas de montagem.
- Deslize a junta tórica **23** sobre o bucim dianteiro **15** e dentro da ranhura externa. Insira o anel de encosto espiral **34** na mesma ranhura, à frente da junta tórica instalada. Consulte a montagem geral e a lista de peças para saber qual é a orientação correcta da junta tórica e do anel de encosto espiral.
- Pressione o anel do mancal dianteiro **24** na ranhura interna dentro do bucim dianteiro **15** e depois instale o vedante da haste **25** por trás do anel do mancal dianteiro. Insira o anel de selagem **22** na ranhura dianteira do bucim dianteiro. Consulte a secção Montagem geral para garantir a orientação correcta do vedante da haste e o anel de selagem.
- Lubrifique a superfície e a extremidade dianteira do diâmetro interno do corpo **2** no qual o bucim dianteiro **15** deve ser instalado com massa lubrificante Molykote® 111.
- Lubrifique o espigão na *ferramenta com haste do bucim dianteiro e depois coloque o bucim dianteiro **15**, primeiro a extremidade do vedante da haste **25**, totalmente sobre o espigão. Insira a *haste do bucim dianteiro na parte traseira do corpo **2** e depois empurre o bucim dianteiro totalmente para o furo no corpo. É necessária alguma força para inserir o bucim dianteiro no corpo, por isso pode ser necessário utilizar uma prensa ou um torno. Retire a *haste do bucim dianteiro à medida que mantém o bucim dianteiro no respectivo local.
- Lubrifique a ranhura do vedante e o diâmetro externo principal do pistão **1** com massa lubrificante Molykote® 111. Deslize o vedante do pistão **26** sobre a parte da frente do diâmetro do pistão principal e dentro da ranhura do vedante.
- Aperte a *marca do pistão no pistão **1**. Coloque o *casquilho de vedação do pistão sobre o eixo do pistão e depois coloque o anel vedante externo do vedante do pistão **26** sobre o *Casquilho de vedação do pistão para que assente no diâmetro cónico. Lubrifique a superfície do *casquilho de vedação do pistão com massa lubrificante Molykote® 111.
- Coloque o *êmbolo do vedante do pistão sobre o eixo do pistão **1** e o *casquilho de vedação do pistão de modo a que a extremidade aberta do *êmbolo do vedante do pistão fica assente sobre o anel vedante do pistão **26**. Com o *êmbolo do vedante do pistão, empurre o anel vedante exterior sobre o *casquilho da vedação do pistão e na ranhura vedante do pistão. É necessária alguma força para esticar e inserir o anel vedante exterior no pistão, por isso pode ser necessário utilizar uma prensa ou um torno.
- Retire o *êmbolo do vedante do pistão e o *casquilho de vedação do pistão **1**. Lubrifique a *marca do pistão, parte da frente, eixo do pistão e o vedante do pistão **26** com massa lubrificante Molykote® 111.
- Aparafuse a *guia do pistão por completo na parte traseira do corpo **2**. Lubrifique os furos no corpo e na *guia do pistão com massa lubrificante Molykote® 111.
- Ligue o *acoplamento rápido fêmea sobresselente ao acoplamento rápido macho **10** na mangueira hidráulica de tracção **19**. Isto permite a libertação de ar do pistão do lado de tracção **1** quando inserir o pistão.
- Insira o pistão montado **1** na parte traseira do corpo **2** e através do bucim dianteiro montado **15**. Empurre o pistão totalmente para a frente até encostar no bucim dianteiro. O óleo hidráulico vai ser libertado da mangueira hidráulica, lado de tracção **19**. É necessária alguma força para inserir o pistão no corpo, por isso pode ser necessário utilizar uma prensa ou um torno.
- Retire o *acoplamento rápido fêmea sobresselente do acoplamento rápido macho **10** na mangueira hidráulica de tracção **19**. Retire a *guia do pistão da parte traseira do corpo **2**.

Todos os números indicados a **negrito** dizem respeito à montagem geral e à lista de peças nas páginas 286, 287 e 288.

* O kit de serviço está indicado na página 282.

- Deslize a junta tórica **30** sobre a tampa da extremidade **17** e dentro da ranhura externa. Insira o anel de encosto espiral **36** na mesma ranhura, por trás da junta tórica instalada. Consulte a montagem geral e a lista de peças para saber qual é a orientação correcta da junta tórica e do anel de encosto espiral.
- Pressione o anel do mancal traseiro **29** na ranhura interna dentro do buçim traseiro **16** e depois instale o vedante da haste **28** por trás do anel do mancal traseiro. Insira o anel de selagem **31** na ranhura traseira do buçim traseiro. Consulte a secção Montagem geral para garantir a orientação correcta do vedante da haste e o anel de selagem.
- Fixe o cabo da ferramenta num torno com mordentes suaves para que a ponteira da ferramenta fique a apontar para baixo.
- Lubrifique a superfície e a extremidade dianteira do diâmetro interno do corpo **2** no qual o buçim traseiro **16** deve ser instalado com massa lubrificante Molykote® 111.
- Encha a parte traseira do corpo **2** com óleo hidráulico Enerpac® HF. O nível de óleo deve estar acima do furo de entrada traseira para dentro do corpo.
- Ligue o *acoplamento rápido macho sobresselente no acoplamento rápido fêmea **11** na mangueira hidráulica de retorno **18**. Isto permite a libertação de ar do pistão do lado de retorno do pistão **1** quando inserir a tampa da extremidade **17**.
- Lubrifique a rosca interna no corpo **2** e a rosca externa na tampa da extremidade **17** com massa lubrificante MolyLithium.
- Insira a tampa da extremidade **17** na parte traseira do corpo **2** com cuidado para não danificar a junta tórica **30** e o anel de encosto espiral **36** nas roscas do corpo. Aperte a tampa da extremidade **17** totalmente na parte traseira do corpo utilizando a *ferramenta de montagem de tampas. Ao fazê-lo, uma pequena quantidade de óleo é expulsa da mangueira hidráulica, do lado de retorno **18**.
- Retire o *acoplamento rápido macho sobresselente do acoplamento rápido fêmea **11** na mangueira hidráulica de retorno **18**.
- Aperte o mandril de fixação **40** no pistão **1** até o lado dianteiro ficar encostado na extremidade do pistão. Alinhe o furo no mandril de fixação com a ranhura do pistão e depois insira o pino de bloqueio **41**.
- Ligue a ferramenta de colocação, como descrito em Preparação para utilização na página 280.

Conjunto das mangueiras:

- Retire os dois parafusos **9** da braçadeira de fixação da mangueira **13** com uma chave Allen de 3,0 mm. Retire a braçadeira de fixação de mangueira e a inserção de fixação **20** da manga de protecção **37** e das mangueiras hidráulicas, lado de retorno **18** e de tracção **19**.
- Com uma chave de parafusos plana pequena, retire a pega gator **8** da pega do corpo **2**. Puxe a pega gator sobre a mangueira de protecção **37**, as mangueiras hidráulicas do lado de retorno **18** e do lado de tracção **19** e retire-a.
- Corte a braçadeira de cabos **35** e deslize para trás a manga de protecção **37** para expor os acessórios nas mangueiras hidráulicas **18** e **19**. As mangueiras hidráulicas podem ser retiradas do corpo **2** com chaves inglesas de 12 mm e 14 mm.
- Os acoplamentos rápidos, macho **10** e fêmea **11** podem ser retirados das mangueiras hidráulicas **18** e **19** com chaves inglesas de 18 mm e 24 mm.
- Para retirar o gatilho **7**, desaperte primeiro o buçim do cabo **38**, para que o cabo de controlo **14** possa deslocar-se livremente no corpo **2**. Em seguida, desaperte o parafuso de fixação M4 **12** com uma chave de 2,0 mm.
- Empurre o cabo de controlo **14** para dentro do corpo **2** e puxe, em simultâneo, o gatilho **7** para fora do corpo para expor as juntas de solda nos terminais do gatilho. Dessolde os terminais para retirar o gatilho e a inserção do gatilho **39**. A inserção do gatilho está ligada ao gatilho e não pode ser removida.
- O cabo de controlo **14** pode ser puxado do corpo **2** e removido da manga de protecção **37**.

Monte pela ordem inversa da desmontagem, tendo em atenção os seguintes pontos:

- Antes da montagem, limpe todas as roscas nos acoplamentos rápidos, macho **10** e fêmea **11** e as mangueiras hidráulicas de retorno **18** e de tracção **19**. Em seguida, aplique duas ou três camadas de fita de PTFE de 10 mm nas roscas macho nas duas mangueiras hidráulicas.
- Quando substituir o gatilho **7**, aplique *Loctite® 243 na rosca macho no gatilho antes de montar a inserção do gatilho **39**.
- Aplique *Loctite® 243 no parafuso de fixação M4 **12** antes de proceder à montagem.
- Depois de montada, ligue a ferramenta de acordo com as instruções indicadas na página 280.

5.8 PROTECÇÃO DO AMBIENTE

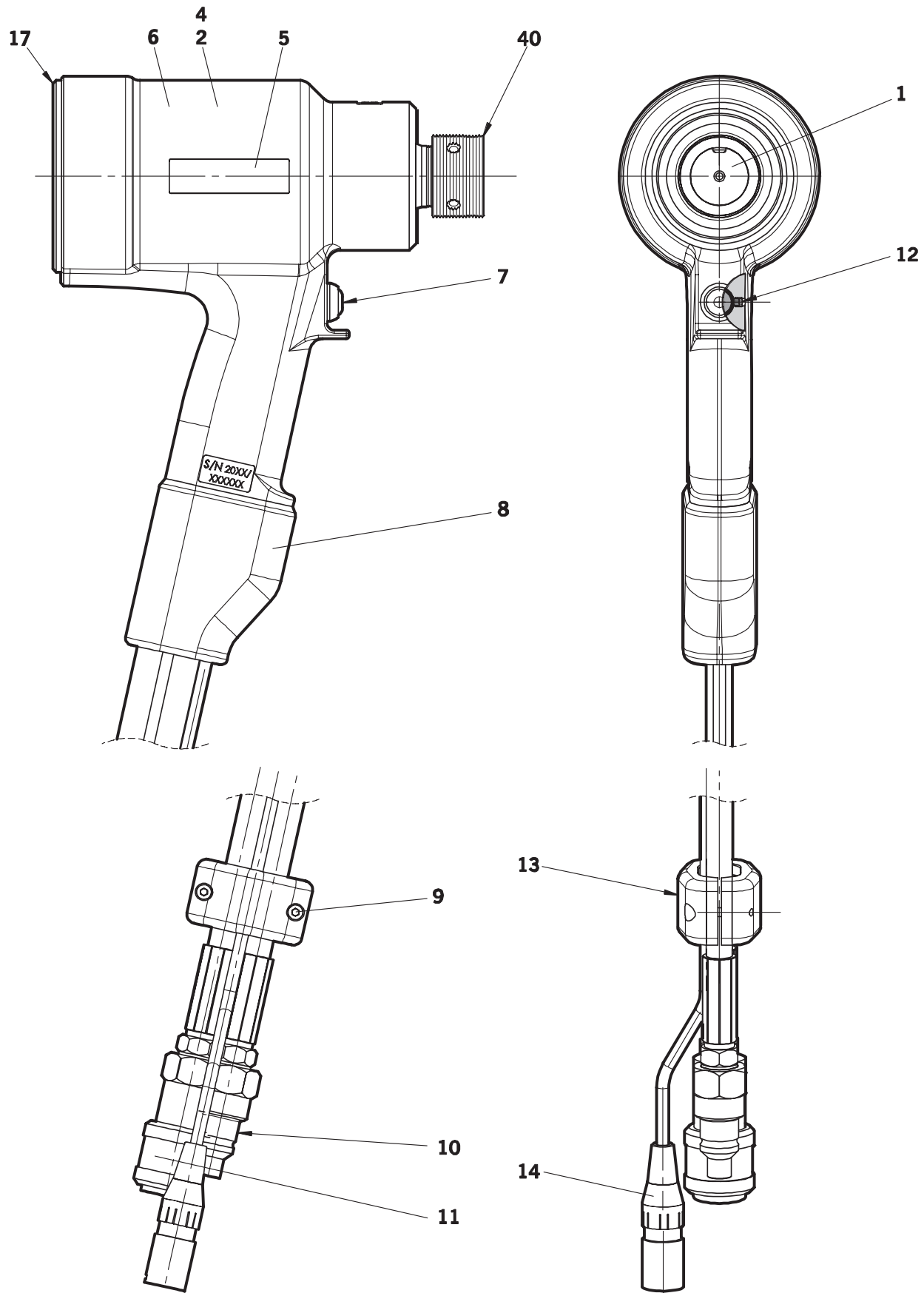
- Assegure a conformidade com a regulamentação de eliminação aplicáveis. Deite todos os resíduos numa instalação ou depósito de resíduos aprovado para não expor os técnicos e o ambiente a riscos.

Todos os números indicados a **negrito** dizem respeito à montagem geral e à lista de peças nas páginas 286, 287 e 288.

* O kit de serviço está indicado na página 282.

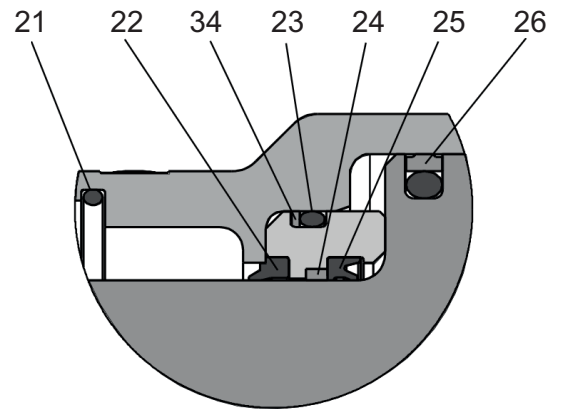
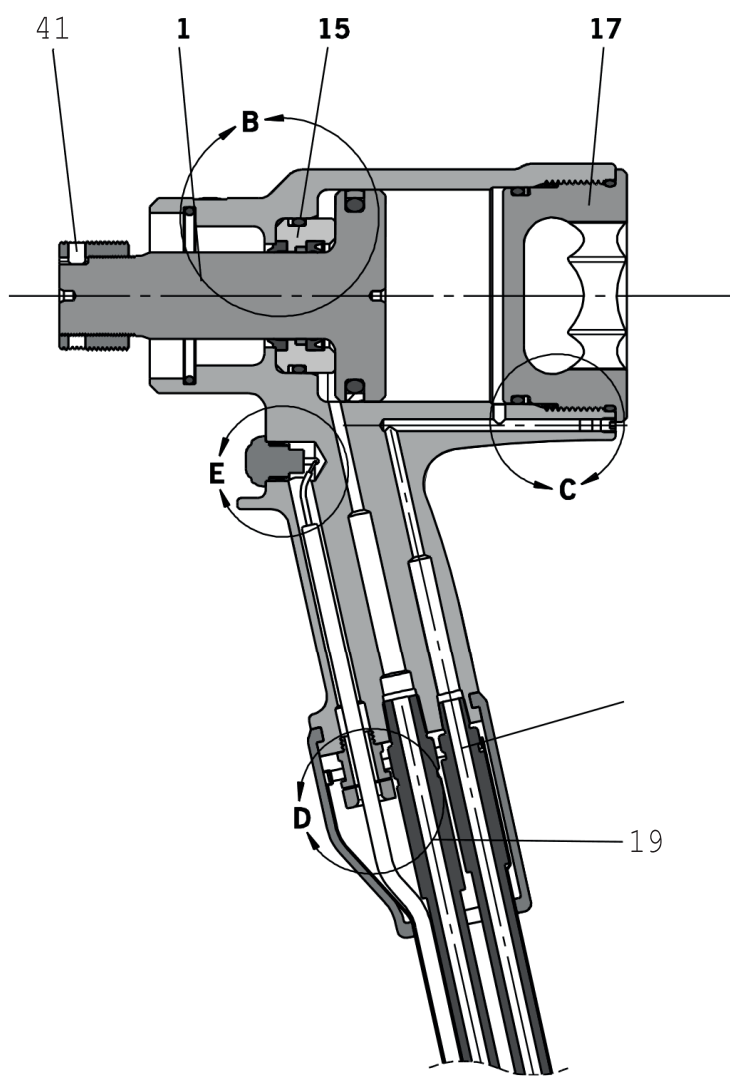
6. MONTAGEM GERAL E LISTA DE PEÇAS

6.1 MONTAGEM GERAL

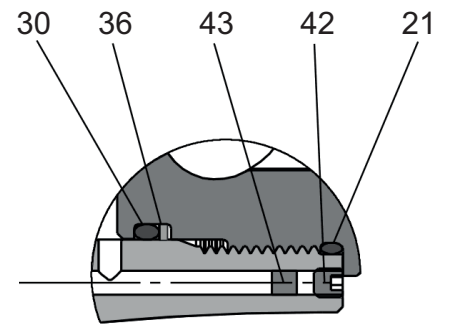


ITEM 37 PROTECTIVE SLEEVE
REMOVED FOR CLARITY

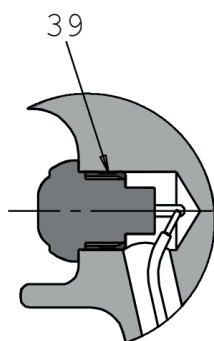
ITEM 37 PROTECTIVE SLEEVE
REMOVED FOR CLARITY



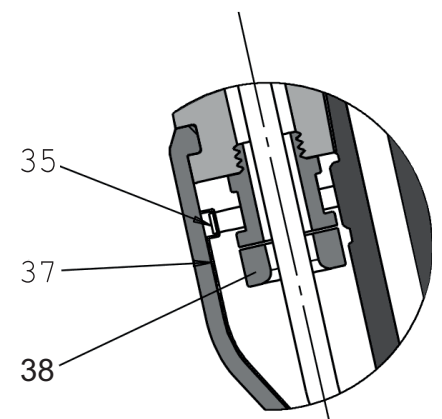
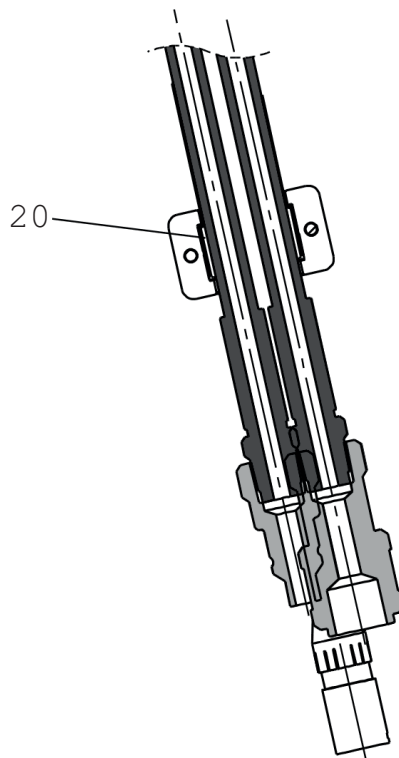
DETAIL B



DETAIL C



DETAIL E



DETAIL D

6.2 LISTA DE PEÇAS

Lista de peças 73432-02000			
ITEM	NÚMERO DA PEÇA	DESCRIÇÃO	QTD.
1	73434-02003	PISTÃO	1
2	73434-02001	CARTUCHO	1
3			
4	73425-02016	ETIQUETA DE SEGURANÇA	1
5	73434-02026	ETIQUETA AV30	2
6	07007-01504	ETIQUETA CE E UKCA	1
7	07007-02103	GATILHO	1
8	73430-02020	PEGA GATOR	1
9	07001-00686	PARAFUSO HD DE TAMPA M4 X 16 SKT	2
10	07005-10118	ACOPLAMENTO RÁPIDO, MACHO	1
11	07005-10120	ACOPLAMENTO RÁPIDO, FÊMEA	1
12	07001-00479	PARAFUSO DE FIXAÇÃO M4 X 4 SKT	1
13	73430-02023	BRAÇADEIRA DE FIXAÇÃO DE MANGUEIRA	1
14	07007-02105	CABO DE CONTROLO	1
15	73434-02004	BUCIM DIANTEIRO	1
16			
17	73434-02005	TAMPA DA EXTREMIDADE	1
18	07005-10119	MANGUEIRA HIDRÁULICA, RETORNO	1
19	07005-10117	MANGUEIRA HIDRÁULICA, TRACÇÃO	1
20	73430-02024	INSERÇÃO DE FIXAÇÃO	1
21	07003-00463	Junta tórica	2
22	07003-00452	ANEL DE SELAGEM	1
23	07003-00461	Junta tórica	1
24	73434-02009	ANEL DO MANCAL DIANTEIRO	1
25	07003-00451	VEDANTE DA HASTE	1
26	07003-00453	VEDANTE DO PISTÃO	1
27			
28			
29			
30	07003-00464	Junta tórica	1
31			
32			
33			
34	07003-00494	ANEL DE ENCOSTO ESPIRAL	1
35	07007-02032	BRAÇADEIRA DE CABOS	1
36	07003-00496	ANEL DE ENCOSTO ESPIRAL	1
37	07005-10121	MANGA DE PROTECÇÃO	0,6 m
38	07007-02104	BUCIM DO CABO	1
39	73430-02008	INSERÇÃO DO GATILHO	1
40	73434-02012	MANDRIL DE FIXAÇÃO	1
41	73434-02013	PINO DE SEGURANÇA	1
42	07001-00481	5 PARAFUSOS DE FIXAÇÃO SKT M5	1
-	07900-01022	MANUAL DE INSTRUÇÕES DA FERRAMENTA AV30	1

7. DADOS DE SEGURANÇA

7.1 ÓLEO HIDRÁULICO ENERPACE® HF HYDRAULIC OIL: DADOS DE SEGURANÇA

PRIMEIROS SOCORROS

PELE:

Na eventualidade de contacto breve ou ocasional, não causa danos na pele, mas o contacto prolongado ou a exposição podem causar dermatite. Lave bem a pele com sabão e água assim que possível. Retire o vestuário fortemente contaminado e lave a pele em contacto com a roupa.

ORAL:

Não causa danos se for ingerido em pequenas doses, mas uma maior quantidade pode causar náuseas e diarreia. Se ocorrer contaminação na boca, lave bem com água. Excepto por acção deliberada, é pouco provável a ingestão de grandes quantidades do produto. Se isto ocorrer, não induza o vómito; contacte um médico. Leve a pessoa para o centro de saúde mais próximo.

OLHOS:

Causa apenas uma sensação de ardor temporária ou vermelhidão se houver um contacto ocular accidental. Lave bem os olhos com uma quantidade abundante de água, devendo manter as pálpebras abertas. Contacte um médico se a dor ou vermelhidão piorar ou persistir.

ACONSELHAMENTO MÉDICO:

Em geral, o tratamento deve ser sintomático e com o intuito de aliviar quaisquer efeitos.

Nota: Aplicações a alta pressão:

Injecções através da pele, resultantes do contacto com o produto a alta pressão, significam uma emergência médica grave. De início, os ferimentos podem não parecer graves, mas após algumas horas, os tecidos parecem ficar inchados, descolados e pode sentir muitas dores, com necrose subcutânea extensa.

Deve ser sujeito a uma intervenção cirúrgica imediata. É necessário o desbridamento minucioso e extensivo da ferida e do tecido subjacente para minimizar a perda de tecido ou limitar danos permanentes. Tenha em atenção que a pressão elevada pode obrigar a distâncias consideráveis do produto em tecidos finos.

ELIMINAÇÃO

Remova todos os derramamentos com material absorvente inerte. Ventile a área derramada. Coloque os materiais contaminados num recipiente descartável e elimine em conformidade com os regulamentos locais.

FOGO

PONTO DE IGNIÇÃO: 200 °C.

Apague com pó químico, espuma ou dióxido de carbono. Não entre num espaço confinado sem um aparelho respiratório autónomo.

MANUSEAMENTO

Use creme ou luvas resistentes a óleo.

ARMAZENAMENTO

Ao abrigo e consistente com os regulamentos locais sobre material inflamável.

7.2 MASSA LUBRIFICANTE MOLYLITHIUM EP 3753: DADOS DE SEGURANÇA

A massa lubrificante pode ser encomendada como um único artigo, o número de peça está indicado no kit de manutenção na página 282.

PRIMEIROS SOCORROS

PELE:

Uma vez que a massa lubrificante é totalmente à prova de água, a melhor maneira de removê-la é com um produto de limpeza da pele emulsionante.

INGESTÃO:

Certifique-se de que a pessoa bebe 30 ml de leite de magnésia, de preferência num copo de leite.

OLHOS:

Irritante, mas não nocivo. Irrigue com água e contacte um médico.

FOGO

PONTO DE IGNIÇÃO: Superior a 220 °C.

Não classificado como inflamável.

Meio adequado de extinção: CO₂, halon ou pulverização de água, se aplicado por um operador experiente.

AMBIENTE

Recolha para incineração ou eliminação num local aprovado.

MANUSEAMENTO

Use creme ou luvas resistentes a óleo

ARMAZENAMENTO

Mantenha afastado de calor e agentes oxidantes.

7.3 MASSA LUBRIFICANTE MOLYKOTE® 111: DADOS DE SEGURANÇA

A massa lubrificante pode ser encomendada como um único artigo, o número de peça está indicado no kit de manutenção na página 282.

PRIMEIROS SOCORROS

PELE:

Não são necessários primeiros socorros.

INGESTÃO:

Não são necessários primeiros socorros.

OLHOS:

Não são necessários primeiros socorros.

INALAÇÃO:

Não são necessários primeiros socorros.

FOGO

PONTO DE IGNIÇÃO: Superior a 101,1 °C. (em câmara fechada)

Propriedades explosivas: Não

Meio adequado de extinção: Espuma de dióxido de carbono, pó seco ou água atomizada. A água pode ser utilizada para arrefecer recipientes expostos a fogo.

AMBIENTE

Não se prevêem efeitos adversos.

MANUSEAMENTO

É recomendável uma ventilação geral. Evite o contacto com os olhos.

ARMAZENAMENTO

Não armazene com agentes oxidantes. Mantenha o recipiente fechado e armazene-o num local afastado de água ou humidade.

8. DIAGNÓSTICO DE AVARIAS

SINTOMA	CAUSA POSSÍVEL	SOLUÇÃO	PÁGINA DE REF.
A ferramenta de colocação não funciona	A bomba não funciona	Verifique a fonte de alimentação da bomba e consulte o manual de instruções da bomba	
	Acoplamentos rápidos defeituosos 10 e 11	Substituir acoplamentos rápidos	285
	O cabo de controlo com gatilho 14 não está ligado correctamente	Verifique se o cabo de controlo está ligado correctamente à bomba e à ferramenta de colocação	280
	Gatilho 7 ou cabo de controlo danificado 14	Substitua o gatilho e/ou cabo de controlo	285
O gatilho 7 não funciona	Bomba no modo local	Consulte o manual de instruções da bomba	
	Gatilho 7 , cabo de controlo 14 ou conector danificado	Substitua o gatilho e/ou cabo de controlo	285
A bomba funciona, mas a ferramenta de colocação não funciona	As mangueiras hidráulicas não estão ligadas	Verifique se as ligações da bomba e da ferramenta de colocação estão correctas	280
	Nível de óleo baixo	Verifique se a ferramenta de colocação está cheia com óleo e escorvada correctamente Consulte o manual de instruções da bomba	280
	Fuga de óleo externa na ferramenta de colocação	Inspeccione a ferramenta de colocação: substitua os componentes gastos ou danificados	283 - 285
	Fuga de óleo externa na conjunto das mangueiras	Inspeccione o conjunto das mangueiras: verifique se as ligações das mangueiras estão apertadas e/ou substitua os conectores das mangueiras danificadas	285
	Fuga de óleo interna/externa na bomba	Consulte o manual de instruções da bomba	
	A ferramenta de colocação funciona de maneira errática	Fornecimento de pressão hidráulico fraco ou errático	Consulte o manual de instruções da bomba
Os vedantes hidráulicos da ferramenta de colocação estão gastos ou danificados		Inspeccione a ferramenta de colocação: substitua os vedantes gastos ou danificados	283 - 285
As superfícies vedantes hidráulicas da ferramenta de colocação estão gastos ou danificados		Inspeccione a ferramenta de colocação: substitua os componentes gastos ou danificados	283 - 285
Fuga de óleo interna/externa na bomba		Consulte o manual de instruções da bomba	
A bomba atingiu a pressão máxima, mas a extremidade do pino não se parte	A carga de rotura é superior à capacidade da ferramenta de colocação à pressão total	Consulte a especificação da ferramenta de colocação	277
	O fluxo para a ferramenta de colocação está bloqueado	Verifique se os acoplamentos rápidos 10 e 11 estão totalmente encaixados	280
	A válvula de libertação da pressão da bomba está definida para um valor demasiado baixo	Regule as definições da válvula de libertação de pressão, consulte o manual de instruções da bomba	
	As ranhuras de tracção no pino do fecho estão descarnadas	Verifique o sintoma na página 292	281
	Funcionamento incorrecto da ferramenta		281

SINTOMA	CAUSA POSSÍVEL	SOLUÇÃO	PÁGINA DE REF.
O pistão da ferramenta de colocação 1 não recua	O fluxo de retorno está restringido ou bloqueado	Verifique se os acoplamentos rápidos 10 e 11 estão totalmente encaixados e/ou avariados	280
	As mangueiras hidráulicas não estão ligadas	Verifique se as ligações da bomba e da ferramenta de colocação estão correctas	280
	Avaria na válvula da bomba	Consulte o manual de instruções da bomba	
	A definição do temporizador de retorno da bomba está incorrecta, a definição é demasiado baixa	Regule o temporizador de retorno para definição recomendada, consulte o manual de instruções da bomba	
A ferramenta de colocação não ejecta o anel da bigorna	A válvula de libertação de retorno da bomba está definida para um valor demasiado baixo	Regule a válvula de libertação de pressão de retorno, consulte o manual de instruções da bomba	
	Fornecimento de pressão hidráulico fraco ou errático	Consulte o manual de instruções da bomba	
	Os vedantes hidráulicos da ferramenta de colocação estão gastos ou danificados	Inspeccione a ferramenta de colocação: substitua os vedantes gastos ou danificados	283 - 285
	As superfícies vedantes hidráulicas da ferramenta de colocação estão gastos ou danificados	Inspeccione a ferramenta de colocação: substitua os componentes gastos ou danificados	283 - 285
As ranhuras de tracção na extremidade do pino do fecho ficam descarnadas durante a instalação	Fuga de óleo interna/externa na bomba	Consulte o manual de instruções da bomba	
	O utilizador não está a empurrar a ponteira por completo no pino do fecho antes de utilizar a ferramenta	Indique ao utilizador qual é o método de instalação correcto	281
	Comprimento do fecho/comprimento de fixação incorrecto Partes dos mordentes gastos ou danificados	Utilize o fecho correcto Verifique e substitua o conjuntos de mordentes, consulte a ficha de dados do equipamento da ponteira	281
	Resíduos nos segmentos dos mordentes e/ou nas ranhuras do pino	Limpe os segmentos dos mordentes: consulte a ficha de dados do equipamento da ponteira	
O anel Avdelok® ou Avbolt® não foi rebitado totalmente O pino não é libertado da ponteira	Folga excessiva na chapa	Feche a folga entre as chapas	281
	Funcionamento incorrecto da ferramenta		281
	Furo da bigorna gasto	Verifique e substitua a bigorna, consulte a ficha de dados do equipamento da ponteira	
A ferramenta de colocação e o óleo hidráulico sai quente	Montagem incorrecta do equipamento da ponteira	Consulte a ficha de dados do equipamento da ponteira	
	Restrição na linha hidráulica	Verifique os acoplamentos rápidos hidráulicos 10 e 11 e substitua-os se for necessário	285
Fuga de óleo nos acoplamentos rápidos hidráulicos 10 e 11	Temperatura ambiente elevada		
	Junta tórica gasta no corpo do acoplamento rápido macho 10	Substitua a junta tórica e o anel de encosto no acoplamento rápido 10	285

Todos os números indicados a **negrito** dizem respeito à montagem geral e à lista de peças nas páginas 286, 287 e 288.

* O kit de serviço está indicado na página 282.

9. DECLARAÇÃO CE DE CONFORMIDADE

Nós, a **STANLEY Engineered Fastening, Stanley House, Works Road, Letchworth Garden City, Hertfordshire, SG6 1JY, REINO UNIDO**, declaramos sob nossa exclusiva responsabilidade que o produto:

Descrição: FERRAMENTA HIDROELÉCTRICA AV30

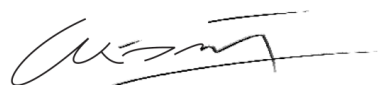
Modelo: FERRAMENTA ESTRUTURAL AV30 – 73434-02000

ao qual esta declaração se refere está em conformidade com as seguintes normas harmonizadas:

ISO 12100:2010	EN ISO 3744:2010
EN ISO 11202:2010	EN ISO 11148-1:2011
EN ISO 4413:2010	EN ISO 20643:2008+A1:2012
EN ISO 4414:2010	ES100118-rev. 17:2017
EN ISO 28927-5:2009+A1:2015	

A documentação técnica é compilada de acordo com o Anexo 1, secção 1.7.4.1, em conformidade com a seguinte Directiva: **2006/42/CE Directiva "Máquinas"** (Instrumentos Estatutários no Reino Unido 2008 N.º 1597 - Fornecimento de regulamentos (de segurança) sobre máquinas).

O abaixo assinado faz esta declaração em nome da STANLEY Engineered Fastening



A. K. Seewraj

Director de Engenharia, Reino Unido

Avdel UK Limited, Stanley House, Works Road, Letchworth Garden City, Hertfordshire, SG6 1JY REINO UNIDO

Local de emissão: Letchworth Garden City, Reino Unido

Data de emissão: 12/12/2011

O abaixo assinado é responsável pela compilação do ficheiro técnico dos produtos vendidos na União Europeia e faz esta declaração em nome da Stanley Engineered Fastening.

Matthias Appel

Responsável pela Equipa de Documentação Técnica

Stanley Engineered Fastening, Tucker GmbH, Max-Eyth-Str.1, 35394 Gießen, Alemanha



Esta máquina está em conformidade com a
Directiva sobre máquinas 2006/42/CE

10. DECLARAÇÃO DE CONFORMIDADE DO REINO UNIDO

Nós, a **STANLEY Engineered Fastening, Stanley House, Works Road, Letchworth Garden City, Hertfordshire, SG6 1JY, REINO UNIDO**, declaramos sob nossa exclusiva responsabilidade que o produto:

Descrição: FERRAMENTA HIDROELÉCTRICA AV30

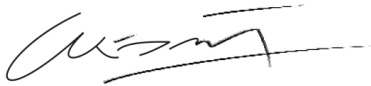
Modelo: FERRAMENTA ESTRUTURAL AV30 – 73434-02000

ao qual esta declaração se refere está em conformidade com as seguintes normas harmonizadas:

ISO 12100:2010	EN ISO 3744:2010
EN ISO 11202:2010	EN ISO 11148-1:2011
EN ISO 4413:2010	EN ISO 20643:2008+A1:2012
EN ISO 4414:2010	ES100118-rev. 17:2017
EN ISO 28927-5:2009+A1:2015	

A documentação técnica é compilada de acordo com o Fornecimento de regulamentos (de segurança) sobre máquinas de 2008, S.I. 2008/1597 (tal como alterado).

O abaixo assinado faz esta declaração em nome da STANLEY Engineered Fastening



A. K. Seewraj

Director de Engenharia, Reino Unido

Avdel UK Limited, Stanley House, Works Road, Letchworth Garden City, Hertfordshire, SG6 1JY REINO UNIDO

Local de emissão: Letchworth Garden City, Reino Unido

Data de emissão: 12/12/2011



Esta máquina está em conformidade com a
Fornecimento de regras (de segurança) sobre máquinas de
2008,
S.I. 2008/1597 (tal como alterado)

11. PROTEJA O SEU INVESTIMENTO!

GARANTIA DA FERRAMENTA DE REBITES CEGOS DA Stanley® Engineered Fastening

A STANLEY® Engineered Fastening garante que todas as ferramentas foram fabricadas e não apresentam quaisquer defeitos em termos de material e mão-de-obra em condições de utilização normal e serviço durante o período de um (1) ano.

Esta garantia aplica-se ao comprador da ferramenta apenas para utilização original.

Exclusões:

Desgaste normal.

A manutenção periódica, a reparação e as peças sobresselentes sujeitas a desgaste normal estão excluídas da cobertura.

Abuso e uso indevido.

Os defeitos ou danos que resultem do funcionamento incorrecto, armazenamento, uso indevido ou abuso, como os danos físicos, estão excluídos da cobertura.

Assistência ou modificação não autorizadas.

Os defeitos ou danos que resultem da assistência, ajuste de teste, instalação, manutenção, alteração ou modificação por qualquer forma por qualquer pessoa que não seja a STANLEY® Engineered Fastening, ou os respectivos centros de assistência autorizados, estão excluídos da cobertura.

Todas as outras garantias, expressas ou implícitas, incluindo quaisquer garantias de mercantibilidade ou adequação à finalidade estão excluídas.

Se esta ferramenta não estiver em conformidade com a garantia, envie a ferramenta de imediato para o nosso centro de assistência autorizado mais próximo de si. Para obter uma lista dos centros de assistência autorizados da STANLEY® Engineered Fastening nos E.U.A. ou no Canadá, contacte-nos através do nosso número gratuito (877)364 2781.

Se não estiver nos E.U.A. e do Canadá, visite o nosso Website **www.StanleyEngineeredFastening.com** para encontrar o centro mais próximo da STANLEY Engineered Fastening.

A STANLEY Engineered Fastening irá substituir gratuitamente quaisquer peças que considerarmos defeituosas devido a material ou mão-de-obra defeituosa, e devolva a ferramenta pré-paga. Isto representa a nossa única obrigação no que respeita a esta garantia.

Em nenhuma circunstância a STANLEY Engineered Fastening será responsável por quaisquer danos consequenciais ou especiais resultantes da compra ou utilização desta ferramenta.

Registe online a sua ferramenta para rebites cegos.

Para registar a sua garantia online, visite -nos em <https://www.stanleyengineeredfastening.com/support/warranty-registration-form>

Obrigado por ter escolhido uma ferramenta da marca de tecnologia de montagem Stanley da STANLEY® Engineered Fastening.

STANLEY
Engineered Fastening

STANLEY Engineered Fastening

STANLEY House, Works Road
Letchworth Garden City
Hertfordshire, United Kingdom
SG6 1JY
Tel: +44 1582 900 000
Fax: +44 1582 900 001



Holding your world together®

Find your closest STANLEY Engineered Fastening location on
www.stanleyEngineeredFastening.com/contact
For an authorized distributor nearby please check

www.stanleyEngineeredFastening.com/econtact/distributors

Manual Number	Issue	C/N
07900-01022_EU	B	21/067

STANLEY
Assembly Technologies

Stanley Engineered Fastening — a division of Stanley Black and Decker — is the global leader in precision fastening and assembly solutions. Our industry-leading brands, Avdel®, Integra™, Nelson®, Optia™, POP®, Stanley® Assembly Technologies, and Tucker®, elevate what our customers create. Backed by a team of passionate and responsive problem-solvers, we empower engineers who are changing the world.

STANLEY ENGINEERED FASTENING FAMILY OF BRANDS

AVDEL

INTEGRA

NELSON

OPTIA

POP

STANLEY
Assembly Technologies

TUCKER