



- ⓔN Hydro-Pneumatic Power Tool
- ⓔRC Outil électrique hydro-pneumatique
- ⓔSM Herramienta hidroneumática
- ⓔTB Ferramenta Elétrica Hidropneumática



Blind Rivet Nut Tool - 74200

# Hydro-Pneumatic Power Tool

©2021 Stanley Black & Decker inc. All rights reserved.

The information provided may not be reproduced and/or made public in any way and through any means (electronically or mechanically) without prior explicit and written permission from STANLEY Engineered Fastening. The information provided is based on the data known at the moment of the introduction of this product. STANLEY Engineered Fastening pursues a policy of continuous product improvement and therefore the products may be subject to change. The information provided is applicable to the product as delivered by STANLEY Engineered Fastening. Therefore, STANLEY Engineered Fastening cannot be held liable for any damage resulting from deviations from the original specifications of the product.

The information available has been composed with the utmost care. However, STANLEY Engineered Fastening will not accept any liability with respect to any faults in the information nor for the consequences thereof. STANLEY Engineered Fastening will not accept any liability for damage resulting from activities carried out by third parties. The working names, trade names, registered trademarks, etc. used by STANLEY Engineered Fastening should not be considered as being free, pursuant to the legislation with respect to the protection of trade marks.

<b>1. SAFETY DEFINITIONS .....</b>	<b>4</b>
1.1 GENERAL SAFETY RULES .....	4
1.2 PROJECTILE HAZARDS .....	4
1.3 OPERATING HAZARDS.....	5
1.4 REPETITIVE MOTIONS HAZARDS.....	5
1.5 ACCESSORY HAZARDS .....	5
1.6 WORKPLACE HAZARDS.....	5
1.7 NOISE HAZARDS.....	5
1.8 VIBRATION HAZARDS.....	6
1.9 ADDITIONAL SAFETY INSTRUCTION FOR PNEUMATIC POWER TOOLS .....	6
<b>2. SPECIFICATIONS.....</b>	<b>7</b>
2.1 PLACING TOOL SPECIFICATION.....	7
2.2 TOOL DIMENSIONS.....	7
<b>3. INTENT OF USE.....</b>	<b>8</b>
4.1 AIR SUPPLY .....	8
4.2 STROKE ADJUSTMENT.....	9
4.3 PRINCIPLE OF OPERATION .....	9
<b>5. NOSE ASSEMBLIES.....</b>	<b>10</b>
5.1 FITTING INSTRUCTIONS.....	10
5.2 SERVICE INSTRUCTIONS .....	10
5.3 74200 NOSE ASSEMBLY COMPONENTS.....	10
<b>6. SERVICING THE TOOL.....</b>	<b>13</b>
6.1 DAILY SERVICING.....	13
6.2 WEEKLY SERVICING.....	13
6.3 SERVICE KIT.....	13
6.4 MAINTENANCE.....	14
6.5 PNEUMATIC CYLINDER.....	14
6.6 ROD GUIDE.....	14
6.7 TRIGGER.....	14
6.8 SWIVEL AIR INLET (74200-12700).....	15
6.9 DIFFERENTIAL VALVE.....	15
6.10 HEAD ASSEMBLY .....	15
6.11 REAR CASING .....	15
6.12 DISTRIBUTOR .....	15
6.13 HYDRAULIC PISTON & AIR MOTOR ASSEMBLY (74200-12610) .....	15
6.14 MOLYKOTE 55m SAFETY DATA.....	17
6.15 PROTECTING THE ENVIRONMENT .....	17
<b>7. GENERAL ASSEMBLIES .....</b>	<b>18</b>
7.1 GENERAL ASSEMBLY OF BASE TOOL 74200-12000.....	18
7.2 GENERAL ASSEMBLY PARTS LIST 74200-12000 .....	19
<b>8. PRIMING .....</b>	<b>20</b>
8.1 OIL DETAILS.....	20
8.2 HYPIN®VG 32 OIL SAFETY DATA.....	20
8.3 PRIMING PROCEDURCE.....	20
<b>9. FAULT DIAGNOSIS .....</b>	<b>21</b>
<b>10. EC DECLARATION OF CONFORMITY .....</b>	<b>23</b>
<b>11. UK DECLARATION OF CONFORMITY .....</b>	<b>24</b>
<b>12. PROTECT YOUR INVESTMENT! .....</b>	<b>25</b>



This instruction manual must be read by any person installing or operating this tool with particular attention to the following safety rules.



Always wear impact-resistant eye protection during operation of the tool. The grade of protection required should be assessed for each use.







Use hearing protection in accordance with employer's instructions and as required by occupational health and safety regulations.



Use of the tool can expose the operator's hands to hazards, including crushing, impacts, cuts and abrasions and heat. Wear suitable gloves to protect hands.

## 1. SAFETY DEFINITIONS

The definitions below describe the level of severity for each signal word. Please read the manual and pay attention to these symbols.

-  **DANGER:** Indicates an imminently hazardous situation which, if not avoided, will result in death or serious injury.
-  **WARNING:** Indicates a potentially hazardous situation which, if not avoided, could result in death or serious injury.
-  **CAUTION:** Indicates a potentially hazardous situation which, if not avoided, may result in minor or moderate injury.
-  **CAUTION:** Used without the safety alert symbol indicates a potentially hazardous situation which, if not avoided, may result in property damage.

***Improper operation or maintenance of this product could result in serious injury and property damage. Read and understand all warnings and operating instructions before using this equipment. When using power tools, basic safety precautions must always be followed to reduce the risk of personal injury.***

### SAVE ALL WARNINGS AND INSTRUCTIONS FOR FUTURE REFERENCE

#### 1.1 GENERAL SAFETY RULES

- For multiple hazards, read and understand the safety instructions before installing, operating, repairing, maintaining, changing accessories on, or working near the tool. Failure to do so can result in serious bodily injury.
- Only qualified and trained operators must install, adjust or use the tool.
- DO NOT use outside the design intent of placing STANLEY Engineered Fastening Blind Rivet Nuts.
- Use only parts, fasteners, and accessories recommended by the manufacturer.
- DO NOT modify the tool. Modification can reduce the effectiveness of safety measures and increase the risks to the operate. Any modification to the tool undertaken by the customer will be customer's entire responsibility and void any applicable warranties.
- Do not discard the safety instructions; give them to the operator.
- Do not use the tool if it has been damaged.
- Prior to use, check for misalignment or binding of moving parts, breakage of parts, and any other condition that affects the tool's operation. If damaged, have the tool serviced before using. Remove any adjusting key or wrench before use.
- Tools shall be inspected periodically to verify that the ratings and markings required by this part of ISO 11148 are legibly marked on the tool. The employer/user shall contact the manufacturer to obtain replacement marking labels when necessary.
- The tool must be maintained in a safe working condition at all times and examined at regular intervals for damage and function by trained personnel. Any dismantling procedure will be undertaken only by trained personnel. Do not dismantle this tool without prior reference to the maintenance instructions.

#### 1.2 PROJECTILE HAZARDS

- Disconnect the air supply from the tool before performing any maintenance, attempting to adjust, fit or remove a nose assembly or accessories.
- Be aware that failure of the workpiece or accessories or even of the inserted tool itself can generate high-velocity projectiles.
- Always wear impact-resistant eye protection during operation of the tool. The grade of protection required should be assessed for each use.
- The risks to others should also be assessed at this time.
- Ensure that the workpiece is securely fixed.
- Check that the means of protection from ejection of fastener and/or mandrel is in place and is operative.



- DO NOT use the tool without mandrel collector installed.
- Warn against the possible forcible ejection of mandrels from the front of the tool.
- DO NOT operate a tool that is directed towards any person(s).

### 1.3 OPERATING HAZARDS

- Use of the tool can expose the operator's hands to hazards, including crushing, impacts, cuts and abrasions and heat. Wear suitable gloves to protect hands.
- Operators and maintenance personnel shall be physically able to handle the bulk, weight and power of the tool.
- Hold the tool correctly; be ready to counteract normal or sudden movements and have both hands available.
- Keep tool handles dry, clean, and free from oil and grease.
- Maintain a balanced body position and secure footing when operating the tool.
- Release the start-and-stop device in the case of an interruption of the air supply.
- Use only lubricants recommended by the manufacturer.
- Contact with hydraulic fluid should be avoided. To minimize the possibility of rashes, care should be taken to wash thoroughly if contact occurs.
- Material Safety Data Sheets for all hydraulic oils and lubricants is available on request from your tool supplier.
- Avoid unsuitable postures, as it is likely for these positions not to allow counteracting of normal or unexpected movement of the tool.
- If the tool is fixed to a suspension device, make sure that the fixation is secure.
- Beware of the risk of crushing or pinching if nose equipment is not fitted.
- DO NOT operate tool with the nose casing removed.
- Adequate clearance is required for the tool operator's hands before proceeding.
- When carrying the tool from place to place keep hands away from the trigger to avoid inadvertent activation.
- DO NOT abuse the tool by dropping or using it as a hammer.

### 1.4 REPETITIVE MOTIONS HAZARDS

- When using the tool, the operator can experience discomfort in the hands, arms, shoulders, neck or other parts of the body.
- While using the tool, the operator should adopt a comfortable posture whilst maintaining a secure footing and avoiding awkward or off-balance postures. The operator should change posture during extended tasks; this can help avoid discomfort and fatigue.
- If the operator experiences symptoms such as persistent or recurring discomfort, pain, throbbing, aching, tingling, numbness, burning sensations or stiffness, these warning signs should not be ignored. The operator should tell the employer and consult a qualified health professional.

### 1.5 ACCESSORY HAZARDS

- Disconnect the tool from the air supply before fitting or removing the nose assembly or accessory.
- Use only sizes and types of accessories and consumables that are recommended by the manufacturer of the tool; do not use other types or sizes of accessories or consumables.

### 1.6 WORKPLACE HAZARDS

- Slips, trips and falls are major causes of workplace injury. Be aware of slippery surfaces caused by use of the tool and of trip hazards caused by the air line or hydraulic hose.
- Proceed with care in unfamiliar surroundings. There can be hidden hazards, such as electricity or other utility lines.
- The tool is not intended for use in potentially explosive atmospheres and is not insulated against contact with electric power.
- Ensure that there are no electrical cables, gas pipes, etc., which can cause a hazard if damaged by use of the tool.
- Dress properly. Do not wear loose clothing or jewellery. Keep your hair, clothing and gloves away from moving parts. Loose clothes, jewellery or long hair can be caught in moving parts.

### 1.7 NOISE HAZARDS

- Exposure to high noise levels can cause permanent, disabling hearing loss and other problems, such as tinnitus (ringing, buzzing, whistling or humming in the ears). Therefore, risk assessment and the implementation of appropriate controls for these hazards are essential.
- Appropriate controls to reduce the risk may include actions such as damping materials to prevent workpieces from "ringing".

- Use hearing protection in accordance with employer's instructions and as required by occupational health and safety regulations.
- Select, maintain and replace the consumable/inserted tool as recommended in the instruction handbook, to prevent an unnecessary increase in noise.

### **1.8 VIBRATION HAZARDS**

- Exposure to vibration can cause disabling damage to the nerves and blood supply of the hands and arms.
- Wear warm clothing when working in cold conditions and keep your hands warm and dry. If you experience numbness, tingling, pain or whitening of the skin in your fingers or hands, stop using the tool, tell your employer and consult a physician.
- Where possible Support the weight of the tool in a stand, tensioner or balancer, because a lighter grip can then be used to support the tool.
- Operate and maintain the assembly power tool for blind rivet nut fasteners as recommended in the instruction's handbook, to prevent an unnecessary increase in vibration levels.
- Select, maintain and replace the consumable/inserted tool as recommended in the instruction handbook, to prevent an unnecessary increase in vibration levels.
- Hold the tool with a light but safe grip, taking account of the required hand reaction forces, because the risk from vibration is generally greater when the grip force is higher.

### **1.9 ADDITIONAL SAFETY INSTRUCTION FOR PNEUMATIC POWER TOOLS**

- The operating supply air must not exceed 7 bar (102 PSI).
- Air under pressure can cause severe injury.
- Never leave operating tool unattended. Disconnect air hose when tool is not in use, before changing accessories or when making repairs.
- Never direct air at yourself or anyone else.
- Whipping hoses can cause severe injury. Always check for damaged or loose hoses and fittings.
- Prior to use, inspect airlines for damage, all connections must be secure. Do not drop heavy objects on hoses. A sharp impact may cause internal damage and lead to premature hose failure.
- Cold air shall be directed away from hands.
- Whenever universal twist couplings (claw couplings) are used, lock pins shall be installed and whip check safety cables shall be used to safeguard against possible hose-to-tool or hose-to-hose connection failure.
- DO NOT lift the placing tool by the hose. Always use the placing tool handle.
- Vent holes must not become blocked or covered.
- Keep dirt and foreign matter out of the hydraulic system of the tool as this will cause the tool to malfunction.

## 2. SPECIFICATIONS

### 2.1 PLACING TOOL SPECIFICATION

<b>Air Pressure</b>	Minimum - Maximum	5-7 bar (75-100 lbf/in <sup>2</sup> )
<b>Free Air Volume Required</b>	@ 5 bar/75 lbf/in <sup>2</sup>	8 litres (0.28 ft <sup>3</sup> )
<b>Stroke</b>	Maximum	7 mm (0.276 in)
<b>Motor Speed</b>	Spin On	2000 rpm
	Spin Off	2000 rpm
<b>Pull Force</b>	@ 5 bar/75 lbf/in <sup>2</sup>	19.1 kN (4300 lbf)
<b>Cycle time</b>	Approximately	2.5 seconds
<b>Weight</b>	Without nose equipment	2.2 kg (4.85 lb)

Noise values determined according to noise test code ISO 15744 and ISO 3744.		74200
A-weighted sound power level dB(A), $L_{WA}$	Uncertainty noise: $k_{WA} = 3.0$ dB(A)	74.70 dB(A)
A-weighted emission sound pressure level at the work station dB(A), $L_{pA}$	Uncertainty noise: $k_{pA} = 3.0$ dB(A)	77.08 dB(A)
C-weighted peak emission sound pressure level dB(C), $L_{pC'}$ peak	Uncertainty noise: $k_{pC} = 3.0$ dB(C)	75.54 dB(C)
Vibration values determined according to vibration test code ISO 20643 and ISO 5349.		74200
Vibration emission level, $a_{hd}$ :	Uncertainty vibration: $k = 0.127$ m/s <sup>2</sup>	0.317 m/s <sup>2</sup>
Declared vibration emission values in accordance with EN 12096		

### 2.2 TOOL DIMENSIONS

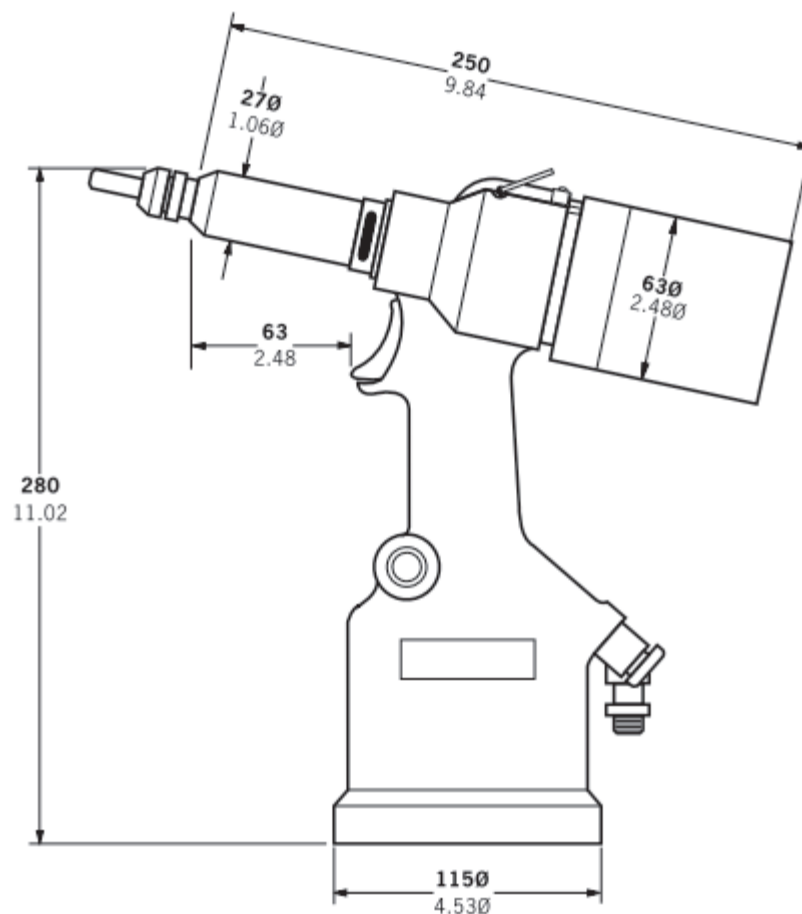


Fig. 1

Dimensions shown in bold are millimeters. Other dimensions are in inches.

### 3. INTENT OF USE

The hydro-pneumatic 74200 tool is designed to place Stanley Engineered Fastening Blind Rivet Nuts at high speed making it ideal for batch or flow-line assembly in a wide variety of applications throughout all industries.

**A complete tool is made up of the base tool (part number 74200-12000) and the appropriate nose assembly for the insert, as described on page 10.**

**NOSE ASSEMBLIES MUST BE FITTED AS DESCRIBED ON PAGE 10.**

**DO NOT use under wet conditions or in the presence of flammable liquids or gases.**

### 4. PUTTING INTO SERVICE

**⚠ IMPORTANT - READ THE SAFETY RULES ON PAGE 4 - 6 CAREFULLY BEFORE PUTTING INTO SERVICE.**

Select relevant size nose equipment and install.

Connect the placing tool to the air supply. Test pull and return cycles by depressing and releasing the trigger 25. Set the tool for desired stroke/pressure.

**⚠ CAUTION - Correct supply pressure is important for proper function of the installation tool. Personal injury or damage to equipment may occur without correct pressures. The supply pressure must not exceed that listed in the placing tool specification.**

#### 4.1 AIR SUPPLY

All tools are operated with compressed air at an optimum pressure of 5.5 bar. We recommend the use of pressure regulators and automatic oiling/filtering systems on the main air supply. These should be fitted within 3 metres of the tool (see diagram below) to ensure maximum tool life and minimum tool maintenance.

Air supply hoses should have a minimum working effective pressure rating of 150% of the maximum pressure produced in the system or 10 bar, whichever is the highest. Air hoses should be oil resistant, have an abrasion resistant exterior and should be armoured where operating conditions may result in hoses being damaged. All air hoses **MUST** have a minimum bore diameter of 6.4 millimetres or 1/4 inch.

Read servicing daily details page 13.

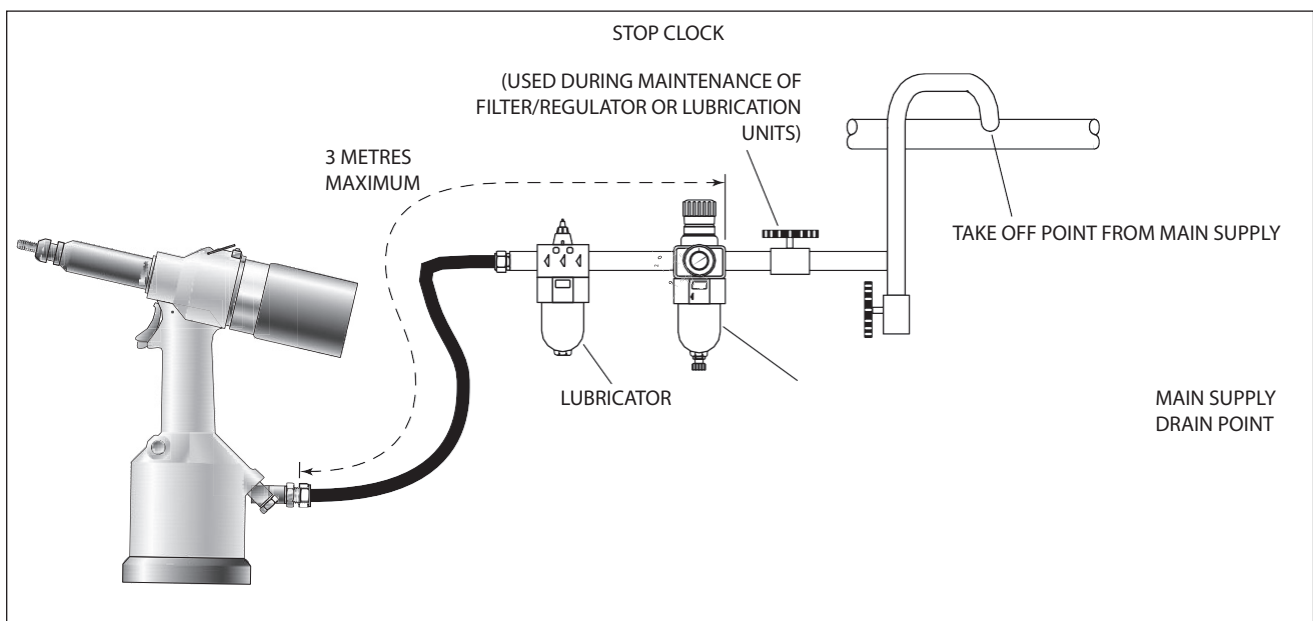


Fig. 2

## 4.2 STROKE ADJUSTMENT

This adjustment is necessary to ensure optimum insert deformation. It is suggested, therefore, that a test plate with the same thickness and hole size as workpiece be used.

If deformation is insufficient, the insert will rotate inside the application. If deformation is excessive, thread distortion will occur and possibly drive screw fracture.

The stroke is adjusted by the amount the rear casing **86** is screwed in or out. To shorten stroke, screw in; to lengthen stroke, unscrew the rear casing but never more than 5 turns from the fully "IN" position unless dismantling the tool. Adjust until optimum deformation is obtained.

Lock the stroke set finger **88** into the rear casing.

## 4.3 PRINCIPLE OF OPERATION

- Connect tool to air supply.
- Offer up insert, lip first to drive screw. A light pressure will start the motor and automatically thread the insert up against nose and stop.
- Insert fastener into application squarely.
- Fully depress trigger. This will both place insert into the application and reverse it off the drive screw.

Item numbers in **bold** refer to the General Assembly drawing and parts list (pages 18-19).

**⚠ CAUTION** - do not attempt to force the installation of an insert as this will cause damage to the tool and/or application.



**Fig. 3**

## 5. NOSE ASSEMBLIES

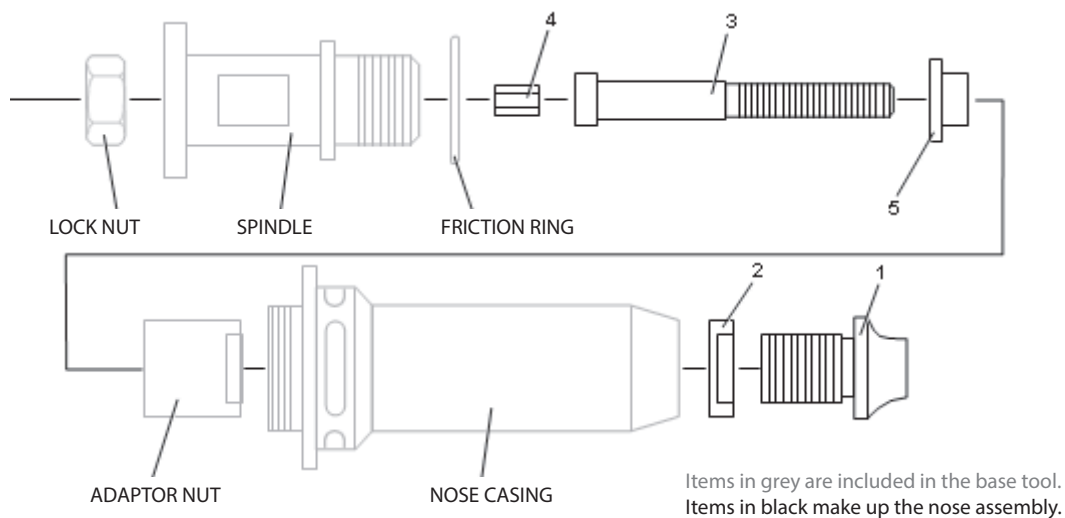
It is essential that the correct nose assembly is fitted prior to operating the tool. By knowing the details of the fastener to be placed, you will be able to order a new complete nose assembly using the selection tables on page 13.

### 5.1 FITTING INSTRUCTIONS

**⚠ CAUTION:** The air supply must be disconnected when fitting or removing nose assemblies unless specifically instructed otherwise.

Item numbers in **bold** refer to illustration below:

- If still fitted remove the nose casing and the adaptor nut.
- Insert drive shaft **4** into spindle.
- Fit drive screw **3** onto drive shaft **4**.
- Insert reducing sleeve **5** (if specified) into the adaptor nut.
- Screw the adaptor nut onto the spindle.
- Hold the spindle with a spanner\* and tighten the adaptor nut clockwise.
- While holding the adaptor nut with the spanner\*, tighten the lock nut anti-clockwise.
- Screw on the nose casing and nose tip **1** with the nose tip lock nut.
- The reverse operation is carried out for equipment removal.
- With tool still disconnected from air supply, screw one insert onto drive screw manually - making sure the insert is flush with the end of drive screw.
- Set nose tip in exact position and lock nose tip nut clockwise with a spanner\*.
- Remove the insert from drive screw.



**Fig. 4**

### 5.2 SERVICE INSTRUCTIONS

Nose assemblies should be serviced at weekly intervals.

- Remove the complete nose assembly using the reverse procedure to the 'Fitting Instructions'.
- Any worn or damaged part should be replaced by a new part.
- Particularly check wear on drive screw.
- Assemble according to fitting instructions.

Refers to items included in the 74200 service kit. For complete list see page 13.

### 5.3 74200 NOSE ASSEMBLY COMPONENTS

Nose tips vary in shape according to the insert type. Each nose assembly represents a unique assembly of components which can be ordered individually. All nose assemblies also include a nose tip locknut 2 (part number 07555-00901). Component numbers refer to the illustration on the opposite page. We recommend some stock as items will need regular replacement. Read the Nose Assemblies servicing instructions opposite carefully.

INSERT SIZE	COMPLETE TOOL	NOSE ASSEMBLY	1	3	4	5
<b>LARGEFLANGEINSERTS (9698,FS58,9408,9418,9498)+STANDARDNUTSERT®(9500)+SQUARESERT®(GK08)+EUROSERT®(GJ08)</b>						
M3	74200-00083	07555-09883	07555-00903	07555-09003	07555-01003	07555-09103
M4	74200-00084	07555-09884	07555-00904	07555-09004	07555-01004	07555-09104
M5•	74200-00085	07555-09885	07555-00905	07555-09005	07555-01005	07555-09105
M5••	74200-00485	07555-09185	07555-00915	07555-09005	07555-01005	07555-09105
M6	74200-00086	07555-09886	07555-00906	07555-09006	07555-01006	07555-09106
M8	74200-00088	07555-09888	07555-00908	07555-09008	07555-01008	07555-09108
M10	74200-00080	07555-09880	07555-00910	07555-09010	07555-01010	–
M12	74200-00082	74200-09882 †	07555-00912	07555-09012	07555-01012	–
4 UNC	74200-00054	07555-09854	07555-00854	07555-09054	07555-00754	07555-09154
6 UNC	74200-00056	07555-09856	07555-00856	07555-09056	07555-00756	07555-09156
8 UNC	74200-00058	07555-09858	07555-00858	07555-09058	07555-00758	07555-09158
10 UNC	74200-00050	07555-09850	07555-00850	07555-09050	07555-00750	07555-09150
1/4 UNC	74200-00048	07555-09848	07555-00848	07555-09048	07555-00748	07555-09148
5/16 UNC	74200-00040	07555-09840	07555-00840	07555-09040	07555-00740	07555-09140
3/8 UNC	74200-00042	07555-09842	07555-00842	07555-09042	07555-00742	–
10 UNF	74200-00070	07555-09870	07555-00850	07555-09070	07555-00750	07555-09150
1/4 UNF	74200-00068	07555-09868	07555-00848	07555-09068	07555-00748	07555-09148
5/16 UNF	74200-00060	07555-09860	07555-00840	07555-09060	07555-00740	07555-09140
3/8 UNF	74200-00062	07555-09862	07555-00842	07555-09062	07555-00742	–
3/16 BSW	74200-00016	07555-09816	07555-00850	07555-09016	07555-00750	07555-09150
1/4 BSW	74200-00018	07555-09818	07555-00848	07555-09018	07555-00748	07555-09148
5/16 BSW	74200-00010	07555-09810	07555-00840	07555-09019	07555-00740	07555-09140
<b>THIN SHEET NUTSERT® (9468, FS38, 9658, 9488)</b>						
M3	74200-00183	07555-09983	07555-00993	07555-09003	07555-01003	07555-09103
M4	74200-00184	07555-09984	07555-00994	07555-09004	07555-01004	07555-09104
M5	74200-00185	07555-09985	07555-00995	07555-09005	07555-01005	07555-09105
M6	74200-00186	07555-09986	07555-00996	07555-09006	07555-01006	07555-09106
M8	74200-00188	07555-09988	07555-00998	07555-09008	07555-01008	07555-09108
M10	74200-00180	07555-09980	07555-00999	07555-09010	07555-01010	–
M12	74200-00182	74200-09982 †	07555-00992	07555-09012	07555-01012	–
4 UNC	74200-00154	07555-09954	07555-00954	07555-09054	07555-00754	07555-09154
6 UNC	74200-00156	07555-09956	07555-00956	07555-09056	07555-00756	07555-09156
8 UNC	74200-00158	07555-09958	07555-00958	07555-09058	07555-00758	07555-09158
10 UNC	74200-00150	07555-09950	07555-00950	07555-09050	07555-00750	07555-09150
1/4 UNC	74200-00148	07555-09948	07555-00948	07555-09048	07555-00748	07555-09148
5/16 UNC	74200-00140	07555-09940	07555-00940	07555-09040	07555-00740	07555-09140
10 UNF	74200-00170	07555-09970	07555-00950	07555-09070	07555-00750	07555-09150
1/4 UNF	74200-00168	07555-09968	07555-00948	07555-09068	07555-00748	07555-09148
5/16 UNF	74200-00160	07555-09960	07555-00940	07555-09060	07555-00740	07555-09140
3/16 BSW	74200-00116	07555-09916	07555-00950	07555-09016	07555-00750	07555-09150
1/4 BSW	74200-00118	07555-09918	07555-00948	07555-09018	07555-00748	07555-09148
0BA	74200-00130	07555-09930	07555-00996	07555-09030	07555-01006	07555-09106
2BA	74200-00132	07555-09932	07555-00950	07555-09032	07555-00750	07555-09150
4BA	74200-00134	07555-09934	07555-00934	07555-09034	07555-00756	07555-09134
<b>SUPERsert® - OPEN AND CLOSED END (FB)</b>						
M3	74200-00283	07555-09583	07555-07103	07555-09003	07555-01003	07555-09103
M4	74200-00284	07555-09584	07555-07104	07555-09004	07555-01004	07555-09104
M5	74200-00285	07555-09585	07555-07105	07555-09005	07555-01005	07555-09105
M6	74200-00286	07555-09586	07555-07106	07555-09006	07555-01006	07555-09106

INSERT SIZE	COMPLETE TOOL	NOSE ASSEMBLY	1	3	4	5
<b>LARGEFLANGEINSERTS (9698,FS58,9408,9418,9498)+STANDARDNUTSERT®(9500)+SQUARESERT®(GK08)+EUROSERT®(GJ08)</b>						
M8	74200-00288	07555-09588	07555-07108	07555-09008	07555-01008	07555-09108
8 UNC	74200-00258	07555-09558	07555-07158	07555-09058	07555-00758	07555-09158
10 UNC	74200-00250	07555-09550	07555-07150	07555-09050	07555-00750	07555-09150
1/4 UNC	74200-00248	07555-09548	07555-07148	07555-09048	07555-00748	07555-09148
8 UNF	74200-00278	07555-09578	07555-07158	07555-09078	07555-00758	07555-09158
10 UNF	74200-00270	07555-09570	07555-07150	07555-09070	07555-00750	07555-09150
1/4 UNF	74200-00268	07555-09568	07555-07148	07555-09068	07555-00748	07555-09148
<b>HEXSERT®(9688)</b>						
M3	74200-00683	07555-09283	07555-08103	07555-09003	07555-01003	07555-09103
M4	74200-00684	07555-09284	07555-08104	07555-09004	07555-01004	07555-09104
M5	74200-00685	07555-09285	07555-08105	07555-09005	07555-01005	07555-09105
M6	74200-00686	07555-09286	07555-08106	07555-09006	07555-01006	07555-09106
M8	74200-00688	07555-09288	07555-00998	07555-09008	07555-01008	07555-09108

- Places all inserts listed in this section except M5 large flange Thin Sheet Nutsert®
- Places M5 large flange Thin Sheet Nutsert® 09698-00516 ONLY
- † These nose assemblies include an adaptor nut part number 74200-12119 to replace the one on the tool.



## 6. SERVICING THE TOOL

Regular servicing should be carried out and a comprehensive inspection performed annually or every 500,000 cycles, whichever is sooner.

- ⚠ CAUTION:** Never use solvents or other harsh chemicals for cleaning the non-metallic parts of the tool. These chemicals may weaken the materials used in these parts.
- ⚠ CAUTION:** Before maintenance, remove any dangerous substances that may have accumulated due to work processes.
- ⚠ CAUTION:** The employer is responsible for ensuring that tool maintenance instructions are given to the appropriate personnel.
- ⚠ CAUTION:** The operator should not be involved in maintenance or repair of the tool unless properly trained.
- ⚠ CAUTION:** The tool shall be examined regularly for damage and malfunction.
- ⚠ CAUTION:** Read Safety Instructions on page 4 to 6.

### 6.1 DAILY SERVICING

- Daily, before use or when first putting the tool into service, pour a few drops of clean, light lubricating oil into the air inlet of the tool if no lubricator is fitted on air supply. If the tool is in continuous use, the air hose should be disconnected from the main air supply and the tool lubricated every two to three hours.
- Check for air leaks. If damaged, hoses and couplings should be replaced by new items.
- If there is no filter on the pressure regulator, bleed the air line to clear it of accumulated dirt or water before connecting air hose to tool.
- Check that the nose assembly is correct.
- Check the stroke of the tool is adequate to place selected insert. (See stroke adjustment page 9).
- Inspect the drive screw in the nose assembly for wear or damage. If any, renew.

### 6.2 WEEKLY SERVICING

- \* Check for oil leaks and air leaks on air supply hose and fittings.

### 6.3 SERVICE KIT

For all servicing we recommend the use of the service kit (part number 74200-99990) supplied in its own plastic case.

SERVICE KIT 74200-99990					
Part Number	Description	QTY	Part Number	Description	QTY
07900-00618	PUSHER	1	07900-00393	14mm/15mm SPANNER	1
07900-00619	GUIDE BUSH	1	07900-00409	12mm/13mm SPANNER	1
07900-00478	Ø 3mm PIN PUNCH	1	07900-00626	11mm SPANNER	1
07900-00624	Ø 4mm PIN PUNCH	1	07900-00469	2.5mm ALLEN KEY	1
07900-00157	INTERNAL CIRCLIP PLIERS	1	07900-00351	3mm ALLEN KEY	1
07900-00161	EXTERNAL CIRCLIP PLIERS	1	07900-00224	4mm ALLEN KEY	1
07900-00625	SOFT MALLET	1	07900-00225	5mm ALLEN KEY	1
07900-00623	25mm SOCKET	1	07900-00620	12mm ALLEN KEY	1
07900-00006	SPATULA	1	07900-00456	T BAR	1
07900-00434	32mm SPANNER	1	07992-00075	MOLYKOTE 55M (100 gm TUBE)	1
07900-00621	28mm SPANNER	1	07900-00627	PLASTIC CASE	1
07900-00637	17mm SPANNER	1	07900-00632	17mm/19mm SPANNER	1
07900-00643	PUSHER KNOB	1			

## 6.4 MAINTENANCE

Every 500,000 cycles the tool should be completely dismantled and components replaced where worn, damaged or when recommended. All 'O' rings and seals should be replaced with new ones and lubricated with Molykote 55M grease before assembling.

- ⚠ WARNING:** Read Safety Instructions on page 4 to 6.
- ⚠ WARNING:** The employer is responsible for ensuring that tool maintenance instructions are given to the appropriate personnel.
- ⚠ WARNING:** The operator should not be involved in maintenance or repair of the tool unless properly trained.
- ⚠ WARNING:** The tool shall be examined regularly for damage and malfunction.

The airline must be disconnected before any servicing or dismantling is attempted unless specifically instructed otherwise.

It is recommended that any dismantling operation be carried out in clean conditions.

Before proceeding with dismantling, empty the oil from the tool. Remove oil plug **42**, oil seal washer **43**, bleed screw **48** and bleed screw washer **49** from the handle assembly and drain the oil into a suitable container.

Prior to dismantling the tool it is necessary to remove the nose assembly. For simple removal instructions see the nose assemblies section, pages 10-13.

For total tool servicing we advise that you proceed with dismantling of sub-assemblies in the order shown below.

## 6.5 PNEUMATIC CYLINDER

- Remove rubber base **2**.
- Place tool, base uppermost in vice fitted with soft jaws.
- Using a spanner\*, unscrew end plug **3**. Pneumatic piston **9** should move upward under spring **11** pressure (it may be necessary to exert hand pressure to pneumatic piston **9**).
- Remove 'O' ring **4**.
- Withdraw pneumatic piston **9**.
- Remove lip seal **8** and 'O' ring **36**.
- Hold piston rod **10** in soft vice jaws to avoid scratching rod diameter.
- Separate piston rod **10** from pneumatic piston **9** by unscrewing piston rod fastening bolt **5** using a spanner\*.
- Inspect air tube **12** for damage or distortion. (Air tube is screwed internally into handle and set in position with Loctite® 222) If it is necessary to remove air tube, the base of the air tube will require warming to a temperature of 100 °C to soften the Loctite adhesive. The air tube **12** can then be unscrewed from the handle using an Allen key\*.
- Check spring **11** is not distorted or damaged.
- Assembly is in reverse order to dismantling.

## 6.6 ROD GUIDE

- With tool in upside down position in vice, unscrew rod guide **15** using a spanner\* and T-bar\*.
- Withdraw rod guide **15**.
- Unscrew locknut **13** using an Allen key\*, remove seal **14** and 'O' ring **98**.
- Remove 'O' ring **16**.
- Assembly is in reverse order to dismantling.

## 6.7 TRIGGER

- With tool held in vice, remove pin **26** using a pin punch\*.
- Remove trigger **25**, pin **22**, roller **23** and push wedge **24**.
- Gently push on the head of trigger rod **20** and, remove together with 'O' rings **7** and **21**, guide **19**, lip seal **18** and plug **17**.
- Assembly is in reverse order to dismantling. Ensure lip of lip seal **18** is towards head of tool.

\* Refers to items included in the 74200 service kit. For complete list see page 13.  
Item numbers in **bold** refer to the General Assembly drawing and parts list (pages 18-19).

### 6.8 SWIVEL AIR INLET (74200-12700)

- Using an Allen key\* remove screw **40** and washer **39**.
- Remove swiveling inlet **38**.
- Unscrew double male connector **41** from swiveling inlet **38** and remove nylon washer **33**.
- Using a spanner\*, remove drilled bolt **37**.
- Remove two nylon washers **33** and air inlet block **35**.
- Remove circlip **97** from double male connector **41** using circlip pliers and withdraw sintered filter **96**.
- Assemble in reverse order of dismantling.
- Refers to items included in the 74200 service kit. For complete list see page 13.

Item numbers in bold refer to the General Assembly drawing and parts list (pages 18-19).

### 6.9 DIFFERENTIAL VALVE

- Using special flat spanner\* unscrew valve locking plug **27**, withdraw and remove spring **104** and 'O' ring **29**.
- Remove silencer **34** using a spanner\* and remove nylon washer **33**.
- Push valve piston **28** out from its housing together with 'O' rings **30, 31&32**.
- Check spring **104** for distortion and renew if required.
- Assemble in reverse order of dismantling.

### 6.10 HEAD ASSEMBLY

- Remove nose equipment prior to commencing dismantling.
- Using spanners\* remove spindle **44** and locknut **45**.
- Remove return spring locknut **46** using a spanner\*.
- Remove return spring **47**, washer **99** and locking ring **90**.
- Check return spring **47** for distortion and renew if required.
- Assemble in reverse order of dismantling.

### 6.11 REAR CASING

- Using an Allen key\* remove screw **40** from stroke set finger **88** and lift off bridge washer **95**.
- Disengage stroke set finger **88** by pushing it back against spring **89**.
- Unscrew rear casing **86**.
- Remove rear casing rubber band **87** if necessary.
- Extract circlip **84** using circlip pliers\* and remove sintered silencer **85**.
- Complete assembly in reverse order of dismantling. Locate pawl **102** in head before screwing on rear casing **86**.

### 6.12 DISTRIBUTOR

- \* Using an Allen key\* remove two screws **40**.
- \* Withdraw distributor **83** together with air motor end plug **81** and 'O' rings **82&31** taking care not to drop ball **79** and push rod **78**.
- \* Using an Allen key\* remove four countersunk socket head screws **58** and withdraw stroke stop **57**.
- \* Pull out two air supply tubes **59** and four 'O' rings **60**.
- \* Assemble in reverse order of dismantling.

### 6.13 HYDRAULIC PISTON & AIR MOTOR ASSEMBLY (74200-12610)


- Wrap adhesive tape around hydraulic piston **54** thread and move assembly backwards slowly and firmly. Using circlip pliers\* remove circlip **52** and front seal **51**.
- Remove 'O' rings **76** and **77**.
- Using two spanners\* separate the hydraulic piston **54** from air motor casing **75**. Shim adjustment ring **55**, movement pivot **56** and 'O' ring **101** will come out with hydraulic piston **54**.
- Remove air motor assembly out of air motor casing **75**, remove circlip **61** using circlip pliers\*, then tap air motor casing **75** on bench to free components.
- Parts **62** to **74** can be pulled out as an assembly, taking care not to drop pin **74**.

\* Refers to items included in the 74200 service kit. For complete list see page 13.

Item numbers in **bold** refer to the General Assembly drawing and parts list (pages 18-19).

- Remove bearing **62**, planet gear spindle **63**, three planets **64**, planet gear **65** and spacer **66**.
- Using a soft mallet tap splined head of rotor **70**.
- Bearing **67** and front end plate **68** will come out with stator **69** and five rotor blades **71**. (rotor **70** remains in hand).
- Place rear end plate **72** in vice with soft jaws.
- Using a pin punch\* tap centre of rotor **70** to remove bearing **73**. (turn rotor **70** upside down and bearing **73** will come out).
- When assembling air motor, rear side of rotor **70** must just touch rear end plate **72** without any axial gap, (any existing gap will disappear when bearing **73** is fully located).
- When inserting air motor into air motor casing **75** carefully align parts so that pin **74** locates in centre hole between spin on/off ports of air motor casing **75** and rear end plate **72**.
- When assembling hydraulic piston **54** onto air motor assembly, tighten parts by hand and blow air into one of the outer ports of air motor casing **75**, checking to see air motor rotates freely.
- When assembling front seal **51** ensure larger diameter faces rear of tool.
- Complete assembly in reverse order to dismantling.

 **CAUTION:** Check the tool against daily and weekly servicing.

 **CAUTION:** Priming is ALWAYS necessary after the tool has been dismantled and prior to operating.

\* Refers to items included in the 74200 service kit. For complete list see page 13.  
Item numbers in **bold** refer to the General Assembly drawing and parts list (pages 18-19).

### 6.14 MOLYKOTE 55m SAFETY DATA

Grease can be ordered as a single item, the part number is shown in the service kit page 13.

#### FIRST AID

SKIN: Wipe off and wash with soap and water.

INGESTION: No adverse effects are normally expected. Treat symptomatically.

EYES: Irritant but not harmful. Irrigate with water and seek medical attention.

#### ENVIRONMENT

Scrape up for incinerating or disposal on approved site.

#### FIRE

FLASH POINT: 101 °C

Not classified as flammable.

Suitable extinguishing media: Carbon dioxide, foam, dry powder or fine water spray.

#### HANDLING

Plastic or rubber gloves should be worn.

#### STORAGE

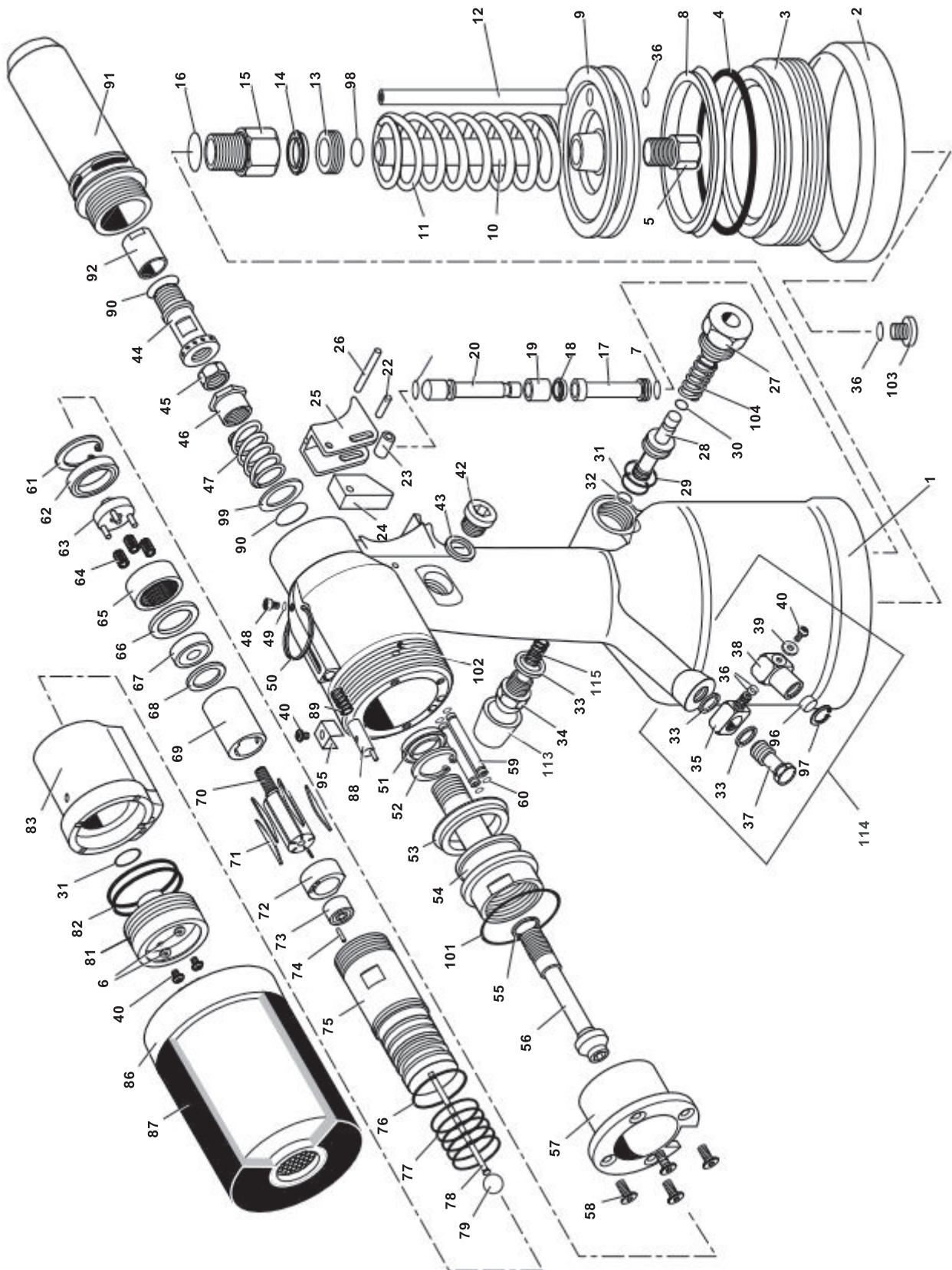
Away from heat and oxidizing agent

### 6.15 PROTECTING THE ENVIRONMENT

Assure conformity with applicable disposal regulations. Dispose all waste products at an approved waste facility or site so as not to expose personnel and the environment to hazards.

## 7. GENERAL ASSEMBLIES

### 7.1 GENERAL ASSEMBLY OF BASE TOOL 74200-12000





7.2 GENERAL ASSEMBLY PARTS LIST 74200-12000

Parts List for 74200-12000

74200-12000 PARTS LIST														
ITEM	PART N°	DESCRIPTION	QTY	REC. SPARES	ITEM	PART N°	DESCRIPTION	QTY	REC. SPARES	ITEM	PART N°	DESCRIPTION	QTY	REC. SPARES
01	74200-12001	HEAD & HANDLE	1	-	40	07001-00420	M4BUTTONSOCKETHDSREW	4	4	79	74200-12079	BALL (RUBBER)	1	1
02	74200-12002	RUBBER BASE	1	1	42	07005-01274	OIL PLUG			80	73200-02022	SAFETY LABEL	1	N/1
03	74200-12003	END PLUG (SCREWED)	1	-	43	74200-12043	OIL SEAL WASHER	1	1	81	74200-12081	AIR MOTOR END PLUG	1	-
04	74200-12004	'O' RING	1	1	44	74200-12044	SPINDLE	1	1	82	74200-12082	'O' RING	2	2
05	74200-12005	PISTON ROD FASTENING BOLT	1	-	45	07555-00803	LOCK NUT	1	1	83	74200-12083	DISTRIBUTOR	1	-
06	07002-00109	M4 SHAKEPROOF WASHER	2	-	46	74200-12046	RETURN SPRING LOCKNUT	1	1	85	74200-12085	SINTERED SILENCER		
07	07003-00027	'O' RING	2	2	47	74200-12047	RETURN SPRING	1	1	86	74200-12800	REAR CASING ASSEMBLY	1	-
08	74200-12008	LIP SEAL (PNEUMATIC PISTON)	1	1	48	07001-00329	M5 BLEED SCREW	1	1	87	74200-12087	REAR CASING RUBBER BAND	1	1
09	74200-12009	PNEUMATIC PISTON	1	-	49	07003-00033	OIL SEAL BLEED WASHER	1	1	88	74200-12088	STROKE SET FINGER	1	1
10	74200-12010	PISTON ROD (INTENSIFIER)	1	-	50	07265-03021	SUSPENSION RING	1	1	89	74200-12089	SPRING	1	1
11	07555-00205	SPRING	1	1	51	07265-02004	FRONT SEAL	1	1	90	07003-00028	LOCKING RING	2	2
12	74200-12012	AIR SUPPLY TUBE	1	1	52	07004-00033	CIRCLIP	1	1	91	74200-12091	NOSE CASING	1	-
13	74200-12013	LOCK NUT	1	-	53	74200-12053	SEAL	1	1	92	74200-12092	ADAPTOR NUT (UP TO M10)	1	1
14	74200-12014	SEAL	1	1	54	74200-12054	HYDRAULIC PISTON	1	-	93	74200-12093	COLOURED LABEL	1	N/1
15	74200-12015	ROD GUIDE	1	-	55	74200-12055	SHIM ADJUSTMENT RING	1	1	94	07900-00354	TIE ON SAFETY LABEL	1	N/1
16	07003-00100	'O' RING	1	1	56	74200-12056	MOVEMENT PIVOT	1	1	95	74200-12095	BRIDGE WASHER	1	1
17	74200-12017	PLUG	1	-	57	74200-12057	STROKE STOP	1	-	96	74200-12096	SINTERED FILTERED	1	1
18	74200-12018	LIP SEAL	1	1	58	07001-00427	M5CSOCKETHEADSCREW	4	4	97	74200-12097	CIRCLIP	1	1
19	74200-12019	GUIDE	1	-	59	74200-12059	PNEU. MOTOR AIR SUPPLY TUBE	2	2	98	07003-00134	'O' RING	1	1
20	74200-12020	TRIGGER ROD	1	-	60	74200-12060	'O' RING	4	4	99	74200-12099	WASHER	1	1
21	07003-00315	07003-00315 'O' RING	1	1	61	74200-12061	CIRCLIP	1	1	100	07007-01526	'CE' LABEL (AVDELI ITALY)	1	N/1
22	74200-12022	PIN	1	1	62	74200-12062	BEARING	1	-	101	74200-12121	'O' RING	1	1
23	74200-12023	ROLLER	1	1	63	74200-12063	PLANET GEAR SPINDLE	1	-	102	74200-12122	PAWL (RUBBER)	1	1
24	74200-12024	PUSH WEDGE	1	-	64	07555-09208	PLANET	3	-	103	74200-12103	PLUG	1	1
25	74200-12025	TRIGGER	1	1	65	74200-12065	PLANET GEAR	1	-	104	74200-12104	SPRING	1	N/1
26	74200-12026	PIN	1	1	66	74200-12066	SPACER	1	-	105	07900-00614	TOOL MANUAL	2	N/1
27	74200-12027	VALVE LOCKING PLUG	1	-	67	07555-09206	BEARING	1	-	106	07900-00632	17/19 MM THIN SPANNER	1	N/1
28	74200-12028	VALVE PISTON	1	-	68	07555-09210	FRONT END PLATE	1	-	107	07900-00409	12/13 MM SPANNER	1	N/1
29	07003-00086	'O' RING	1	1	69	07555-09211	STATOR	1	-	108	07900-00224	4 MM ALLEN KEY	1	N/1
30	07003-00040	'O' RING	1	1	70	74200-12070	ROTOR	1	-	109	07900-00225	5 MM ALLEN KEY	1	N/1
31	07003-00026	'O' RING	2	2	71	07555-09213	ROTOR BLADE	5	5	110	07900-00624	4 MM Ø PIN PUNCH	1	N/1
32	07003-00046	'O' RING	1	1	72	07555-09214	REAR END PLATE	1	-	111	07900-00637	SPECIAL 17MM FLAT SPANNER	1	N/1
33	74200-12033	1/8" NYLON WASHER	3	4	73	07555-09215	BEARING	1	-	112	07900-00469	2.5 MM ALLEN KEY		
34	74200-12034	1/8" SILENCER	1	1	74	07555-09216	PIN	1	-	113	74200-12300	DEFLECTOR ASSEMBLY	1	N/1
35	74200-12035	AIR INLET BLOCK	1	-	75	74200-12075	AIR MOTOR CASING	1	1	114	74200-12700	INLET ASSEMBLY	1	
36	07003-00029	'O' RING	4	4	76	07003-00305	'O' RING	1	-	115	07340-00401	SPRING	1	
37	74200-12037	DRILLED BOLT	1	-	77	07003-00306	'O' RING	1	1					
38	74200-12038	SWIVELLING INLET	1	-	78	74200-12078	PUSH ROD 80 mm LONG	5	5					
39	74200-12039	WASHER	1	1				1	1					

## 8. PRIMING

Priming is ALWAYS necessary after the tool has been dismantled and prior to operating. It may also be necessary to restore the full stroke after considerable use, when the stroke may be reduced and fasteners are not fully placed by one operation of the trigger.

### 8.1 OIL DETAILS

The recommended oil for priming is Hyspin® VG32 available in 0.5l (part number 07992-00002) or one gallon containers (part number 07992-00006). Please see safety data below.

### 8.2 HYSPIN®VG 32 OIL SAFETY DATA

#### FIRST AID

##### SKIN:

Wash thoroughly with soap and water as soon as possible. Casual contact requires no immediate attention. Short term contact requires no immediate attention.

##### INGESTION:

Seek medical attention immediately. DO NOT induce vomiting.

##### EYES:

Irrigate immediately with water for several minutes. Although NOT a primary irritant, minor irritation may occur following contact.

#### FIRE

Flash point 232°C. Not classified as flammable.

Suitable extinguishing media: CO<sub>2</sub>, dry powder, foam or water fog. DO NOT use water jets.

#### ENVIRONMENT

WASTE DISPOSAL: Through authorized contractor to a licensed site. May be incinerated. Used product may be sent for reclamation. SPILLAGE: Prevent entry into drains, sewers and water courses. Soak up with absorbent material.





#### HANDLING

Wear eye protection, impervious gloves (e.g. of PVC) and a plastic apron. Use in well ventilated area.

#### STORAGE

No special precautions.

### 8.3 PRIMING PROCEDURE

-  **CAUTION:** Ensure that the oil is perfectly clean and free from air bubbles.
-  **CAUTION:** The tool must remain on its side throughout the priming sequence.
-  **CAUTION:** All operations should be carried out on a clean bench, with clean hands, in a clean area.
-  **CAUTION:** Care MUST be taken, at all times, to ensure that no foreign matter enters the tool, or serious damage may result.

- Place tool on its side, oil plug **42** side up.
- Pull back stroke set finger **88** and unscrew rear casing **86** by a maximum of **5** turns from the fully 'IN' position.
- With an Allen key, unscrew oil plug **42** and remove with oil seal washer **43**.
- Fill tool with priming oil rocking gently to expel air.
- Replace oil seal washer **43** and oil plug **42** and tighten.
- You must now bleed the tool. This operation is to ensure air bubbles are eliminated from the oil circuit.
- Ensuring oil bleed screw **48** is fully tightened unscrew by ONE TURN only, using an Allen key. Connect the tool to the air supply and depress the trigger.
- Wait until oil appears all around oil bleed screw **48** then re-tighten. Wipe excess oil away.
- Release the trigger.
- Using an Allen Key open oil plug **42**.
- Top-up with priming oil to reset level. Replace oil seal washer **43** and oil plug **42** and fully tighten.
- It is necessary to fit the appropriate nose equipment and adjust the tool stroke prior to operating the tool.

Item numbers in **bold** refer to general assembly drawings and parts list (pages 18-19).



## 9. FAULT DIAGNOSIS

SYMPTOM	POSSIBLE CAUSE	REMEDY	PAGE REF.
Pneumatic motor runs slowly	Air leak from motor	Check for worn seals. Replace	15
	Low air pressure	Increase	12
	Air way blockage	Clear restriction in air supply	
	Worn drive screw	Replace	10
	Vanes jamming	Lubricate tool through air inlet	
Insert does not deform properly	Stroke incorrectly set	Adjust	12
	Air pressure outside the tolerance	Adjust	12
	Low oil level	Prime tool	21
	Insert out of grip	Check grip range of Insert	
Drive screw turns independent of motor	Worn or damaged drives haft	Replace	
	Worn or damaged drive screw	Replace	10
	Adaptor nut loose	Tighten	10
	Locking ring 90 missing	Fit new locking ring	17
Insert will not place onto drive screw	Incorrect Insert thread size	Change to correct insert	
	Incorrect drive screw fitted	Change to correct drive screw	
	Worn or damaged drive screw	Replace	
	Nose equipment incorrectly assembled	Disconnect air supply, re-fit nose equipment carefully	10-11
Tool is jammed on placed insert	Excessive stroke/ Defective insert/ Worn or defective drive screw	DO NOT DEPRESS TRIGGER. Unlock. Stroke locking device and bring rear casing forward to zero stroke position. Depress trigger. Tool should spin off. Reset stroke. If not, disconnect air to tool. Insert a 4mm Ø pin through nose casing slots into spindle <b>44</b> . Turn until drive screw leaves. Insert. Use new insert AND Drive screw.	
Drive screw breaks	Stroke of tool excessive	Re-set stroke	
	Side load on drive screw	Hold tool square to application when placing Insert	
Tool does not spin on	Screw adaptor nut loose	Tighten	
	No air supply	Connect	12
	Insufficient gap between locknut <b>45</b> and spindle <b>44</b>	Adjust to 1.5mm gap to 2mm gap	17
	Push rod <b>78</b> too short	Replace	18
	Air motor jammed	Lubricate tool at air inlet. If insufficient Dismantle and clean air motor thoroughly	

SYMPTOM	POSSIBLE CAUSE	REMEDY	PAGE REF.
Trigger inoperative	Static friction	Depress trigger a few times	
	Low air pressure	Increase air pressure	
	Valve piston remains stuck	Depress trigger several times. Lubricate tool through air inlet. If unsuccessful, dismantle, clean and lubricate trigger elements	
Drive screw does not return and/or keeps spinning off	Lip seal <b>18</b> is defective	Replace	17
Tool does not spin off	Adaptornut <b>92</b> loose	Tighten	
	No air supply	Connect	
	Rear casing unscrewed by more than 5 turns	Set tool stroke 5 turns	
	'O'ring <b>82</b> leaking air	Replace	18
	Distributor stuck	Lubricate	
	Air motor jammed	Lubricate tool at air inlet. If insufficient dismantle and clean air motor thoroughly	

Item numbers in **bold** refer to general assembly drawings and parts list (pages 18-19).

Other symptoms or failures should be reported to your local Stanley Engineered Fastening authorised distributor or repair centre.

## 10. EC DECLARATION OF CONFORMITY

We, **Stanley Engineered Fastening, Stanley House, Works Road, Letchworth Garden City, Hertfordshire, SG6 1JY UNITED KINGDOM**, declare under our sole responsibility that the product:

**Description:** 74200 Hydro-Pneumatic Tool for Blind Rivet Nuts

**Model:** 74200

to which this declaration relates is in conformity with the following harmonized standards:

ISO 12100:2010	EN ISO 3744:2010
EN ISO 11202:2010	EN ISO 11148-1:2011
EN ISO 4413:2010	BS EN 28662-1:1993
EN ISO 4414:2010	EN ISO 20643:2008+A1:2012
EN ISO 28927-5:2009+A1:2015	ES100118-rev 17:2017

Technical documentation is compiled in accordance with Annex VII, in accordance with the following Directive: **Machinery Directive (2006/42/EC)**

The undersigned makes this declaration on behalf of STANLEY Engineered Fastening.



**A. K. Seewraj**

**Director of Engineering, UK**

Avdel UK Limited, Stanley House, Works Road, Letchworth Garden City, Hertfordshire, SG6 1JY UNITED KINGDOM

**Place of issue:** Letchworth Garden City, UK

**Date of issue:** 01-01-2021

The undersigned is responsible for compilation of the technical file for products sold in the European Union and makes this declaration on behalf of Stanley Engineered Fastening.

**Matthias Appel**

**Team Leader Technical Documentation**

Stanley Engineered Fastening, Tucker GmbH, Max-Eyth-Str.1, 35394 Gießen, Germany



**This machinery is in conformity with  
Machinery Directive 2006/42/EC**

**STANLEY**  
Engineered Fastening

## 11. UK DECLARATION OF CONFORMITY

We, **Stanley Engineered Fastening, Stanley House, Works Road, Letchworth Garden City, Hertfordshire, SG6 1JY UNITED KINGDOM**, declare under our sole responsibility that the product:

**Description:** 74200 Hydro-Pneumatic Tool for Blind Rivet Nuts

**Model:** 74200

to which this declaration relates is in conformity with the following designated standards:

ISO 12100:2010	EN ISO 3744:2010
EN ISO 11202:2010	EN ISO 11148-1:2011
EN ISO 4413:2010	BS EN 28662-1:1993
EN ISO 4414:2010	EN ISO 20643:2008+A1:2012
EN ISO 28927-5:2009+A1:2015	ES100118-rev 17:2017

Technical documentation is compiled in accordance with the **Supply of Machinery (Safety) Regulations 2008, S.I. 2008/1597** (as amended).

The undersigned makes this declaration on behalf of STANLEY Engineered Fastening



**A. K. Seewraj**

**Director of Engineering, UK**

Avdel UK Limited, Stanley House, Works Road, Letchworth Garden City, Hertfordshire,  
SG6 1JY UNITED KINGDOM

**Place of issue:** Letchworth Garden City, UK

**Date of issue:** 01-01-2021



This machinery is in conformity with  
**Supply of Machinery (Safety) Regulations 2008,**  
S.I. 2008/1597 (as amended)

## 12. PROTECT YOUR INVESTMENT!

### **Stanley® Engineered Fastening BLIND RIVET TOOL WARRANTY**

STANLEY® Engineered Fastening warrants that all power tools have been carefully manufactured and that they will be free from defect in material and workmanship under normal use and service for a period of one (1) year.

This warranty applies to the first time purchaser of the tool for original use only.

#### **Exclusions:**

##### **Normal wear and tear.**

Periodic maintenance, repair and replacement parts due to normal wear and tear are excluded from coverage.

##### **Abuse & Misuse.**

Defect or damage that results from improper operation, storage, misuse or abuse, accident or neglect, such as physical damage are excluded from coverage.

##### **Unauthorized Service or Modification.**

Defects or damages resulting from service, testing adjustment, installation, maintenance, alteration or modification in any way by anyone other than STANLEY® Engineered Fastening, or its authorized service centres, are excluded from coverage.

All other warranties, whether expressed or implied, including any warranties of merchantability or fitness for purpose are hereby excluded.

Should this tool fail to meet the warranty, promptly return the tool to our factory authorized service centre location nearest you. For a list of STANLEY® Engineered Fastening Authorized Service Centres in the US or Canada, contact us at our toll free number (877)364 2781.

Outside the US and Canada, visit our website [www.StanleyEngineeredFastening.com](http://www.StanleyEngineeredFastening.com) to find your nearest STANLEY Engineered Fastening location.

STANLEY Engineered Fastening will then replace, free of charge, any part or parts found by us to be defective due to faulty material or workmanship, and return the tool prepaid. This represents our sole obligation under this warranty.

In no event shall STANLEY Engineered Fastening be liable for any consequential or special damages arising out of the purchase or use of this tool.

#### **Register Your Blind Rivet Tool online.**

To register your warranty online, visit us at

<https://www.stanleyengineeredfastening.com/support/warranty-registration-form>

Thank you for choosing a STANLEY® Engineered Fastening's Stanley Assembly Technologies Brand tool.

©2021 Stanley Black & Decker inc. Tous droits réservés.

Les renseignements fournis ne peuvent pas être reproduits et/ou rendus publics d'aucune façon et par aucun moyen (électronique ou mécanique) sans autorisation écrite et explicite préalable de STANLEY Engineered Fastening. Les renseignements fournis sont basés sur des données connues au moment de l'introduction de ce produit. STANLEY Engineered Fastening applique une politique d'amélioration en permanence des produits et par conséquent, les produits peuvent être modifiés. Les renseignements fournis sont applicables au produit tels que présentés par STANLEY Engineered Fastening. Par conséquent, STANLEY Engineered Fastening ne peut pas être tenu responsable des dommages résultant de différences par rapport aux caractéristiques initiales du produit.

Les renseignements disponibles ont été rédigés avec la plus grande attention. Cependant, STANLEY Engineered Fastening n'acceptera aucune responsabilité quant au respect de toute erreur dans ces renseignements ni les conséquences qui en découleraient. STANLEY Engineered Fastening n'acceptera aucune responsabilité quant aux dommages résultant d'activités effectuées par des tiers. Les noms de travail, les noms commerciaux, les marques déposées, etc. utilisés par STANLEY Engineered Fastening ne doivent pas être considérés comme étant libres, en vertu de la loi relative à la protection des marques de commerce.

<b>1. DÉFINITIONS LIÉES À SÉCURITÉ.....</b>	<b>28</b>
1.1 RÈGLES GÉNÉRALES DE SÉCURITÉ.....	28
1.2 RISQUES LIÉS AUX PROJECTILES.....	28
1.3 RISQUES LIÉS À L'UTILISATION.....	29
1.4 RISQUES LIÉS AUX MOUVEMENTS RÉPÉTITIFS .....	29
1.5 RISQUES LIÉS AUX ACCESSOIRES.....	29
1.6 RISQUES EN MILIEU DE TRAVAIL .....	29
1.7 RISQUES LIÉS AU BRUIT.....	30
1.8 RISQUES LIÉS À LA VIBRATION.....	30
1.9 CONSIGNES DE SÉCURITÉ SUPPLÉMENTAIRES POUR LES OUTILS ÉLECTRIQUES PNEUMATIQUES .....	30
<b>2. CARACTÉRISTIQUES .....</b>	<b>31</b>
2.1 CARACTÉRISTIQUES DE L'OUTIL DE MISE EN PLACE.....	31
2.2 DIMENSIONS DE L'OUTIL .....	31
<b>3. UTILISATION PRÉVUE .....</b>	<b>32</b>
4.1 ALIMENTATION EN AIR .....	32
4.2 AJUSTEMENT DE LA COURSE.....	33
4.3 PRINCIPE DE FONCTIONNEMENT .....	33
<b>5. ASSEMBLAGES D'EMBOUT.....</b>	<b>34</b>
5.1 INSTRUCTIONS DE MONTAGE .....	34
5.2 INSTRUCTIONS DE MONTAGE.....	34
5.3 COMPOSANTS DE L'ASSEMBLAGE DE L'EMBOUT 74200 .....	34
<b>6. ENTRETIEN DE L'OUTIL .....</b>	<b>37</b>
6.1 ENTRETIEN QUOTIDIEN.....	37
6.2 ENTRETIEN HEBDOMADAIRE .....	37
6.3 NÉCESSAIRE D'ENTRETIEN .....	37
6.4 ENTRETIEN .....	38
6.5 CYLINDRE PNEUMATIQUE.....	38
6.6 GUIDE DE TIGE.....	38
6.7 GÂCHETTE .....	39
6.8 ENTRÉE D'AIR PIVOTANTE (74200-12700).....	39
6.9 VANNE DIFFÉRENTIELLE.....	39
6.10 ASSEMBLAGE DE LA TÊTE.....	39
6.11 BOÎTIER ARRIÈRE.....	39
6.12 DISTRIBUTEUR.....	39
6.13 ENSEMBLE PISTON HYDRAULIQUE ET MOTEUR PNEUMATIQUE (74200-12610) .....	40
6.14 DONNÉES DE SÉCURITÉ MOLYKOTE 55m .....	41
6.15 PROTÉGER L'ENVIRONNEMENT .....	41
<b>7. ASSEMBLAGE GÉNÉRAL .....</b>	<b>42</b>
7.1 ASSEMBLAGE GÉNÉRAL DE L'OUTIL DE BASE 74200-12000 .....	42
7.2 LISTE DES PIÈCES DE L'ASSEMBLAGE GÉNÉRAL 74200-12000 .....	43
<b>8. AMORÇAGE .....</b>	<b>44</b>
8.1 DÉTAILS SUR L'HUILE.....	44
8.2 DONNÉES DE SÉCURITÉ DE L'HUILE HYSPIN®VG 32.....	44
8.3 PROCÉDURE D'AMORÇAGE .....	44
<b>9. DIAGNOSTIC DE PANNE.....</b>	<b>46</b>
<b>10. DÉCLARATION DE CONFORMITÉ CE .....</b>	<b>48</b>
<b>11. DÉCLARATION DE CONFORMITÉ R-U.....</b>	<b>49</b>
<b>12. PROTÉGEZ VOTRE INVESTISSEMENT!.....</b>	<b>50</b>



Ce guide d'utilisation doit être lu par toute personne qui installe ou utilise cet outil avec une attention particulière aux règles de sécurité suivantes.



Portez toujours une protection oculaire résistant aux impacts durant l'utilisation de l'outil. Le niveau de protection requis doit être évalué pour chaque utilisation.







Utilisez une protection auditive conforme aux instructions de l'employeur et tel que requis par les réglementations liées à la santé et la sécurité au travail.



L'utilisation de l'outil peut exposer les mains de l'utilisateur aux risques, incluant l'écrasement, les impacts, les coupes, les éraflures et la chaleur. Portez des gants appropriés pour protéger vos mains.

## 1. DÉFINITIONS LIÉES À SÉCURITÉ

Les définitions suivantes décrivent le niveau de sévérité pour chaque mot-indicateur. Veuillez lire le guide et porter attention à ces symboles.

-  **DANGER** : Indique une situation dangereuse imminente qui, si elle ne peut être évitée, entraînera la mort ou des blessures graves.
-  **AVERTISSEMENT** : Indique une situation potentiellement dangereuse qui, si elle ne peut être évitée, pourrait entraîner la mort ou des blessures graves.
-  **ATTENTION** : Indique une situation potentiellement dangereuse qui, si elle n'est pas évitée, peut entraîner une blessure légère ou modérée.
-  **ATTENTION** : Utilisé sans le symbole d'alerte de sécurité indique une situation potentiellement dangereuse qui, si elle n'est pas évitée, peut entraîner des dommages matériels.

***Une utilisation ou un entretien inappropriés de ce produit pourrait entraîner une blessure grave ou des dommages matériels. Lisez et comprenez tous les avertissements et toutes les instructions d'utilisation avant d'utiliser cet équipement. Lorsque vous utilisez des outils électriques, des consignes de sécurité de base doivent être suivies afin de réduire le risque de blessures corporelles.***

### CONSERVEZ TOUS LES AVERTISSEMENTS ET LES INSTRUCTIONS POUR RÉFÉRENCE ULTÉRIEURE

#### 1.1 RÈGLES GÉNÉRALES DE SÉCURITÉ

- Pour les risques multiples, lisez et comprenez les consignes de sécurité avant d'installer, d'utiliser, de réparer, d'entretenir, de changer les accessoires ou de travailler près de l'outil. Ne pas le faire peut entraîner une blessure corporelle grave.
- Seulement les utilisateurs formés et qualifiés doivent installer, ajuster ou utiliser l'outil.
- NE PAS utiliser dans un autre but que la mise en place des écrous à rivets aveugles de STANLEY Engineered Fastening.
- Utilisez seulement des pièces, des fixations et des accessoires recommandés par le fabricant.
- NE PAS modifier l'outil. Les modifications peuvent réduire l'efficacité des mesures de sécurité et augmenter les risques pour l'utilisateur. Toute modification de l'outil entreprise par le client sera l'entière responsabilité du client et annulera toute garantie applicable.
- Ne pas jeter les consignes de sécurité; donnez-les à l'utilisateur.
- Ne pas utiliser l'outil s'il a été endommagé.
- Avant d'utiliser, vérifiez si les pièces en mouvement sont mal alignées ou fixes, s'il y a des bris des pièces et tout autre état qui affecte l'utilisation de l'outil. S'il est endommagé, faites réparer l'outil avant de l'utiliser. Retirez toute clé de réglage avant de l'utiliser.
- Les outils doivent être inspectés régulièrement afin de vérifier les caractéristiques nominales et les inscriptions requises par cette partie de la norme ISO 11148 sont indiquées lisiblement sur l'outil. L'employeur/utilisateur doit contacter le fabricant pour obtenir des étiquettes de remplacement au besoin.
- L'outil doit être maintenu dans un état de fonctionnement sécuritaire en tout temps, vérifié régulièrement pour des dommages et utilisé par du personnel qualifié. Toute procédure de démontage sera entreprise seulement par du personnel qualifié. Ne pas démonter cet outil sans référence préalable aux instructions d'entretien.

#### 1.2 RISQUES LIÉS AUX PROJECTILES

- Déconnectez l'alimentation de l'air de l'outil avant d'effectuer tout entretien, tenter d'ajuster, installer ou retirer un assemblage d'embout ou des accessoires.
- Sachez que la défaillance de la pièce de travail ou des accessoires ou même l'outil inséré lui-même peut générer des projectiles à haute vitesse.



- Portez toujours une protection oculaire résistant aux impacts durant l'utilisation de l'outil. Le niveau de protection requis doit être évalué pour chaque utilisation.
- Les risques pour autrui doivent aussi être évalués à ce moment.
- Assurez-vous que la pièce de travail est fixée solidement.
- Vérifiez que les moyens de protection contre l'éjection de la fixation et/ou du mandrin sont en place et fonctionnent correctement.
- NE PAS utiliser l'outil sans le collecteur du mandrin installé.
- Prémunissez-vous contre l'éjection puissante possible des mandrins à l'avant de l'outil.
- NE PAS utiliser un outil qui est dirigé vers toute personne.

### 1.3 RISQUES LIÉS À L'UTILISATION

- L'utilisation de l'outil peut exposer les mains de l'utilisateur aux risques, incluant l'écrasement, les impacts, les coupes, les éraflures et la chaleur. Portez des gants appropriés pour protéger vos mains.
- Les utilisateurs et le personnel d'entretien doivent être physiquement en mesure de manipuler le volume, le poids et la puissance de l'outil.
- Tenez l'outil correctement; soyez prêt à contrer les mouvements normaux ou brusques et ayez les deux mains disponibles.
- Gardez l'outil sec, propre et exempt d'huile et de graisse.
- Maintenez une position corporelle équilibrée et un aplomb solide lorsque vous utilisez l'outil.
- Relâchez le dispositif de démarrage et d'arrêt en cas d'interruption de l'alimentation de l'air.
- Utilisez seulement les lubrifiants recommandés par le fabricant.
- Le contact avec le liquide hydraulique doit être évité. Afin de minimiser la possibilité d'éruptions cutanées, des précautions doivent être prises pour laver en profondeur si un contact se produit.
- Les fiches signalétiques pour toutes les huiles hydrauliques et tous les lubrifiants sont disponibles sur demande chez votre fournisseur d'outils.
- Évitez des postures inappropriées, car il est probable que ces postures ne permettent pas de contrer les mouvements normaux ou inattendus de l'outil.
- Si l'outil est fixé à un dispositif de suspension, assurez-vous que la fixation est sécuritaire.
- Attention aux risques d'écrasement ou de pincement si l'équipement de l'embout n'est pas installé.
- NE PAS utiliser l'outil avec le boîtier de l'embout retiré.
- Un espace approprié est requis pour les mains de l'utilisateur avant de procéder.
- Lorsque vous transportez l'outil d'un endroit à l'autre, gardez vos mains loin de la gâchette afin d'éviter une activation par inadvertance.
- NE PAS abuser de l'outil en l'échappant ou en l'utilisant comme un marteau.

### 1.4 RISQUES LIÉS AUX MOUVEMENTS RÉPÉTITIFS

- Lors de l'utilisation de l'outil, l'utilisateur peut ressentir un inconfort dans les mains, les bras, les épaules, le cou ou d'autres parties du corps.
- Pendant qu'il utilise l'outil, l'utilisateur doit adopter une posture confortable tout en maintenant un aplomb sécuritaire et en évitant des postures inconfortables ou déséquilibrées. L'utilisateur doit modifier sa posture durant les tâches prolongées; cela peut aider à éviter l'inconfort et la fatigue.
- Si l'utilisateur ressent des symptômes comme un inconfort persistant ou récurrent, de la douleur, des sensations de pulsations, de crampes, de picotements, d'engourdissements, de brûlures ou de raideur, ces avertissements ne doivent pas être ignorés. L'utilisateur doit le dire à l'employeur et consultez un professionnel de la santé.

### 1.5 RISQUES LIÉS AUX ACCESSOIRES

- Déconnectez l'outil de l'alimentation de l'air avant d'ajuster ou de retirer l'assemblage de l'embout ou l'accessoire.
- Utilisez seulement les tailles et les types d'accessoires ou de produits consommables qui sont recommandés par le fabricant de l'outil; ne pas utiliser d'autres tailles ou types d'accessoires ou des produits consommables.

### 1.6 RISQUES EN MILIEU DE TRAVAIL

- Les glissements, trébucher et les chutes sont des causes majeures des blessures en milieu de travail. Tenez compte des surfaces glissantes causées par l'utilisation de l'outil et les risques de trébucher causés par les conduites d'air ou le tuyau hydraulique.
- Soyez prudent dans les environnements inconnus. Il peut y avoir des dangers cachés comme l'électricité ou d'autres câbles de services publics.
- L'outil n'est pas conçu pour une utilisation en atmosphères potentiellement explosives et il n'est pas isolé contre le contact avec l'électricité.

- Assurez-vous qu'il n'y a aucun câble électrique, tuyau de gaz, etc. qui peut causer un danger s'il est endommagé par l'utilisation de l'outil.
- Habillez-vous convenablement. Ne pas porter de vêtements amples ou des bijoux. Gardez vos cheveux, vos vêtements et vos gants hors de portée des pièces en mouvement. Les vêtements amples, les bijoux ou les cheveux longs peuvent se coincer dans les pièces en mouvement.

### **1.7 RISQUES LIÉS AU BRUIT**

- L'exposition à des niveaux élevés du bruit peut causer une perte de l'ouïe invalidante permanente et d'autres problèmes comme l'acouphène (tintements, bourdonnements, sifflements ou vrombissements dans les oreilles). Ainsi, l'évaluation des risques et la mise en œuvre des contrôles appropriés pour ces risques sont essentielles.
- Les contrôles appropriés pour réduire les risques peuvent comprendre des mesures comme des matériaux insonorisant afin d'empêcher le « tintement » des pièces de travail.
- Utilisez une protection auditive conforme aux instructions de l'employeur et tel que requis par les réglementations liées à la santé et la sécurité au travail.
- Sélectionnez, entretenez et remplacez le consommable/l'outil inséré comme recommandé dans le guide d'instructions, afin d'éviter une augmentation inutile du bruit.

### **1.8 RISQUES LIÉS À LA VIBRATION**

- L'exposition à la vibration peut causer des dommages invalidants aux nerfs et à l'apport sanguin aux mains et aux bras.
- Portez des vêtements chauds lorsque vous travaillez dans le froid et gardez vos mains propres et sèches. Si vous ressentez des engourdissements, des picotements, de la douleur ou un blanchiment de la peau des doigts ou des mains, cessez d'utiliser l'outil, avisez votre employeur et consultez un médecin.
- Lorsque c'est possible, soutenez le poids de l'outil sur un support, un tensionneur ou un dispositif d'équilibre parce qu'une prise plus légère peut alors être utilisée pour soutenir l'outil.
- Utilisez et entretenez l'outil électrique d'assemblage pour les fixations de type écrou à rivet aveugle conformément aux recommandations du guide d'utilisation, afin d'éviter une augmentation inutile des niveaux de vibration.
- Sélectionnez, entretenez et remplacez le consommable/l'outil inséré comme recommandé dans le guide d'instructions, afin d'éviter une augmentation inutile des niveaux de vibration.
- Saisissez l'outil avec une prise légère mais sûre, en tenant compte des forces de réaction nécessaires de la main, car le risque de vibration est généralement plus grand lorsque la force de préhension est plus élevée.

### **1.9 CONSIGNES DE SÉCURITÉ SUPPLÉMENTAIRES POUR LES OUTILS ÉLECTRIQUES PNEUMATIQUES**

- L'alimentation de l'air opérationnelle ne doit pas excéder 7 bars (102 PSI).
- L'air sous pression peut causer une blessure grave.
- Ne jamais laisser l'outil fonctionner sans surveillance. Déconnectez le tuyau d'air lorsque l'outil n'est pas utilisé, avant de changer les accessoires ou lors de réparations.
- Ne jamais diriger l'air vers vous-même ou toute autre personne.
- Frapper les tuyaux peut causer une blessure grave. Vérifiez toujours s'il y a des tuyaux et des raccords endommagés ou desserrés.
- Avant l'utilisation, inspectez les conduites d'air pour voir s'il y a des dommages, toutes les connexions doivent être sécuritaires. Ne pas échapper des objets lourds sur les tuyaux. Un impact considérable peut causer des dommages internes et entraîner une défaillance prématurée des tuyaux.
- L'air froid doit être dirigé loin des mains.
- Lorsque des raccords tournants universels (raccords à griffes) sont utilisés, les goupilles de sécurité doivent être installées et les câbles de sécurité pour tuyaux doivent être utilisés contre une possible défaillance d'une connexion tuyau à outil ou tuyau à tuyau.
- NE PAS lever l'outil de mise en place par le tuyau. Utilisez toujours la poignée de l'outil de mise en place.
- Les trous d'aération peuvent s'obstruer et être couverts.
- Gardez la saleté et les corps étrangers hors du système hydraulique de l'outil puisque cela causera un mauvais fonctionnement de l'outil.

## 2. CARACTÉRISTIQUES

### 2.1 CARACTÉRISTIQUES DE L'OUTIL DE MISE EN PLACE

<b>Pression de l'air</b>	Minimum – Maximum	5-7 bar (75-100 lbf/po <sup>2</sup> )
<b>Volume d'air libre requis</b>	à 5 bar /75 lbf/po <sup>2</sup>	8 litres (0,28 pi <sup>3</sup> )
<b>Course</b>	Maximum	7 mm (0,276 pi)
<b>Vitesse du moteur</b>	Rotation dans le sens des aiguilles d'une montre	2000 tr/min
	Rotation dans le sens contraire des aiguilles d'une montre	2000 tr/min
<b>Force de traction</b>	à 5 bar /75 lbf/po <sup>2</sup>	19.1 kN (4300 lbf)
<b>Durée du cycle :</b>	Environ	2,5 seconde
<b>Poids</b>	Sans équipement d'embout	2,2 kg (4,85 lb)

Valeurs de bruits déterminées selon les codes de test de bruit ISO 15744 et ISO 3744.		74200
Niveau acoustique pondéré A dB(A), L <sub>WA</sub>	Bruit incertain : k <sub>WA</sub> = 3,0 dB(A)	74,70 dB(A)
Niveau de pression acoustique pondéré A à la station de travail dB(A), L <sub>PA</sub>	Bruit incertain : k <sub>PA</sub> = 3,0 dB(A)	77,08 dB(A)
Niveau de pression acoustique du pic pondéré C dB(C), L <sub>PC</sub> , pic	Bruit incertain : k <sub>PC</sub> = 3,0 dB(C)	75,54 dB(C)
Valeurs de bruits déterminées selon les codes de test de vibration ISO 20643 et ISO 5349.		74200
Niveau d'émissions de vibrations, a <sub>hd</sub> :	Incertitude de la vibration : k = 0,127 m/s <sup>2</sup>	0,317 m/s <sup>2</sup>
Valeurs d'émissions de vibrations déclarées conformément à la norme EN 12096		

### 2.2 DIMENSIONS DE L'OUTIL

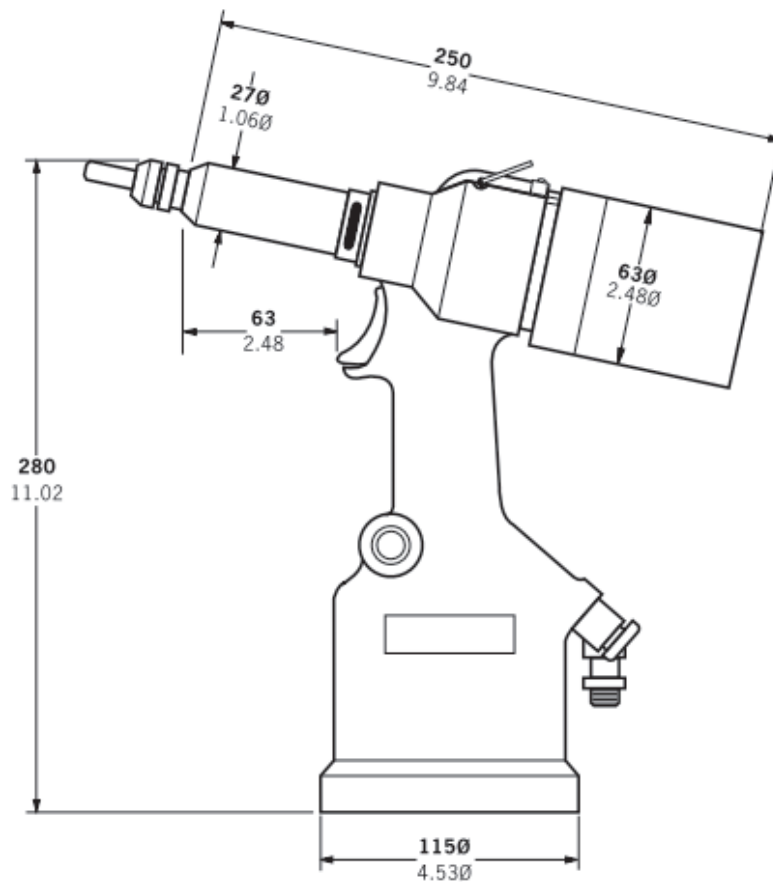


Fig. 1

Les dimensions indiquées en gras sont exprimées en millimètres. Les autres dimensions sont exprimées en pouces.

### 3. UTILISATION PRÉVUE

L'outil hydro-pneumatique 74200 est conçu pour poser les écrous à rivets aveugles Stanley Engineered Fastening à grande vitesse, ce qui en fait l'outil idéal pour l'assemblage par lots ou en flux continu dans une grande variété d'applications dans tous les domaines.

**Un outil complet est composé de l'outil de base (numéro de pièce 74200-12000) et de l'embout approprié pour l'insert, comme décrit à la page 34.**

**LES EMBOUTS DOIVENT ÊTRE MONTÉS COMME DÉCRIT À LA PAGE 34.**

**NE PAS utiliser en conditions mouillées ou en présence de liquides ou de gaz inflammables.**

### 4. MISE EN SERVICE

**▲ IMPORTANT – LISEZ ATTENTIVEMENT LES RÈGLES DE SÉCURITÉ DE LA PAGE 28 - 30 AVANT DE METTRE EN SERVICE.**

Sélectionnez l'équipement d'embout de taille appropriée et installez-le.

Connectez l'outil de mise en place à l'alimentation en air. Testez les cycles de traction et de retour en appuyant sur la gâchette 25 et en la relâchant. Réglez l'outil pour la course/pression souhaitée.

**▲ ATTENTION : La bonne pression d'alimentation est importante pour un fonctionnement approprié de l'outil d'installation. Une blessure corporelle ou des dommages à l'équipement peuvent se produire sans les bonnes pressions. La pression d'alimentation ne doit pas excéder celle indiquée dans les caractéristiques de l'outil de mise en place.**

#### 4.1 ALIMENTATION EN AIR

Tous les outils sont utilisés avec de l'air comprimé à une pression optimale de 5,5 bars. Nous recommandons l'utilisation de régulateurs de pression et de systèmes automatiques d'huilage/filtrage sur l'alimentation principale en air. Ils doivent être installés à moins de 3 mètres de l'outil (voir le schéma ci-dessous) pour garantir une durée de vie maximale et un entretien minimal de l'outil.

Les tuyaux d'alimentation de l'air doivent avoir une pression nominale efficace de fonctionnement minimum de 150 % d'une pression maximale produite dans le système ou de 10 bars, selon la valeur la plus élevée. Les tuyaux d'air doivent être résistants à l'huile, avoir un extérieur résistant à l'abrasion et être armés où les conditions d'utilisation peuvent faire en sorte que les tuyaux soient endommagés. Tous les tuyaux d'air DOIVENT avoir un diamètre d'alésage minimum de 6,4 millimètres ou 1/4 pouces.

Voir la page 37 sur les détails de l'entretien quotidien.

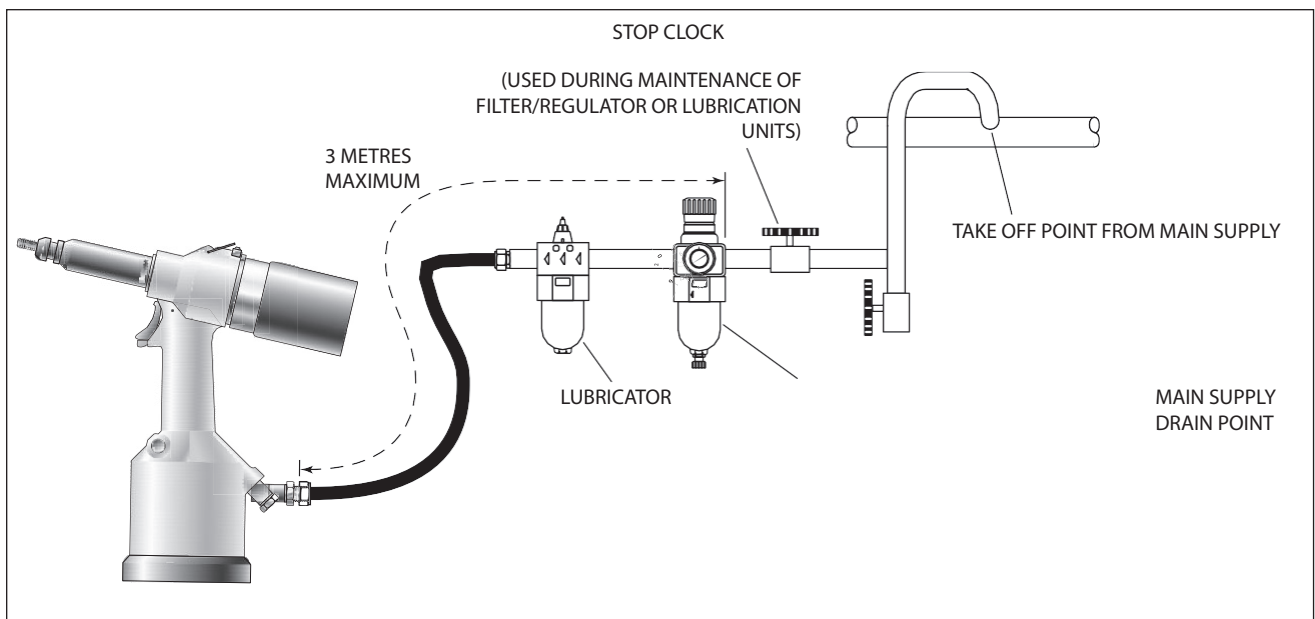


Fig. 2

## 4.2 AJUSTEMENT DE LA COURSE

Cet ajustement est nécessaire pour assurer une déformation optimale de l'insert. Il est donc suggéré d'utiliser une plaque d'essai ayant la même épaisseur et la même taille de trou que la pièce à usiner.

Si la déformation est insuffisante, l'insert tournera à l'intérieur de l'application. Si la déformation est excessive, le filetage se déforme et la vis d'entraînement peut se rompre.

La course est réglée par le vissage ou le dévissage du boîtier arrière **86**. Pour raccourcir la course, vissez-le; pour allonger la course, dévissez le boîtier arrière, mais jamais de plus de 5 tours à partir de la position complètement « IN », à moins de démonter l'outil. Réglez jusqu'à ce que vous obteniez une déformation optimale. Verrouillez le doigt de réglage de la course **88** dans le boîtier arrière.



Fig. 3

## 4.3 PRINCIPE DE FONCTIONNEMENT

- Raccordez l'outil à l'alimentation en air.
- Ajoutez l'insert, la lèvres en premier pour entraîner la vis. Une légère pression démarre le moteur et enfle automatiquement l'insert contre l'embout et la butée.
- Insérez la fixation dans l'application de façon bien ajustée.
- Appuyez à fond sur la gâchette. Cela permet à la fois de placer l'insert dans l'application et de l'inverser par rapport à la vis d'entraînement.

Les numéros de pièces **en gras** renvoient au plan d'assemblage général et à la liste des pièces (pages 42-43).

**⚠ ATTENTION** : n'essayez pas de forcer l'installation d'un insert, car vous risqueriez d'endommager l'outil et/ou l'application.

## 5. ASSEMBLAGES D'EMBOUT

Il est essentiel de monter l'embout correct avant d'utiliser l'outil. En connaissant les détails de la fixation à placer, vous serez en mesure de commander un nouvel embout complet à l'aide des tableaux de sélection de la page 37.

### 5.1 INSTRUCTIONS DE MONTAGE

**⚠ ATTENTION :** L'alimentation en air doit être déconnectée lors de la mise en place ou du retrait des embouts, sauf instructions contraires spécifiques.

Les numéros d'articles **en gras** font référence à l'illustration ci-dessous :

- Si l'embout est toujours en place, retirez l'embout et l'écrou de l'adaptateur.
- Insérez l'arbre d'entraînement **4** dans la broche.
- Montez la vis d'entraînement **3** sur l'arbre d'entraînement **4**.
- Insérez le manchon réducteur **5** (si spécifié) dans l'écrou adaptateur.
- Vissez l'écrou adaptateur sur la broche.
- Tenez la broche avec une clé\* et serrez l'écrou adaptateur dans le sens des aiguilles d'une montre.
- Tout en maintenant l'écrou adaptateur avec la clé\*, serrez l'écrou de blocage dans le sens inverse des aiguilles d'une montre.
- Vissez le boîtier de l'embout et l'embout **1** avec l'écrou de blocage de l'embout.
- L'opération inverse est effectuée pour le retrait de l'équipement.
- L'outil étant toujours déconnecté de l'alimentation en air, vissez manuellement un insert sur la vis d'entraînement – en veillant à ce que l'insert soit aligné avec l'extrémité de la vis d'entraînement.
- Placez l'embout dans la position exacte et bloquez l'écrou de l'embout dans le sens des aiguilles d'une montre avec une clé\*.
- Retirez l'insert de la vis d'entraînement.

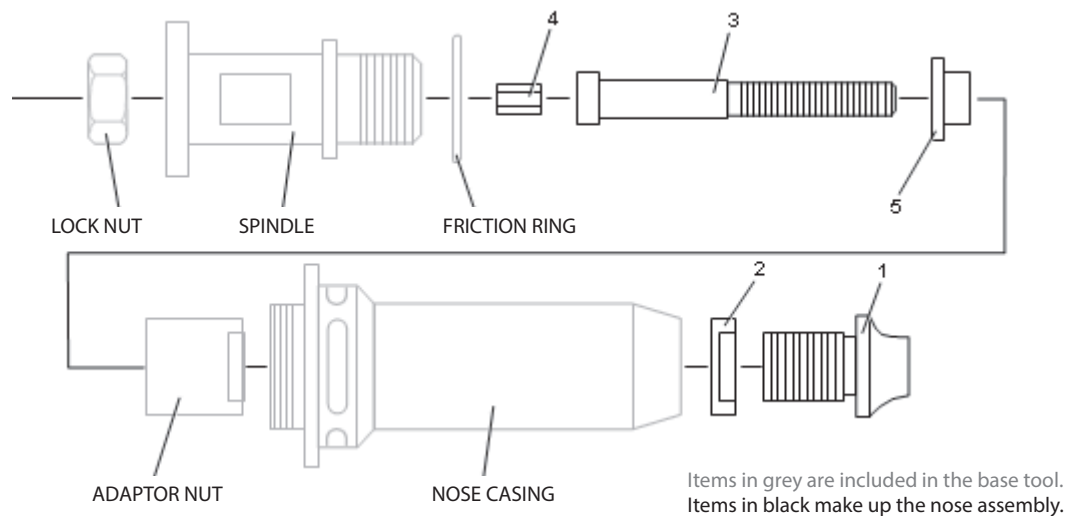


Fig. 4

### 5.2 INSTRUCTIONS DE MONTAGE

Les assemblages des embouts doivent être entretenus une fois par semaine.

- Retirez l'embout complet en suivant la procédure inverse des "Instructions de montage".
- Toute pièce usée ou endommagée doit être remplacée par une pièce neuve.
- Vérifiez en particulier l'usure de la vis d'entraînement.
- Assemblez selon les instructions de montage.

Fait référence aux éléments inclus dans le nécessaire d'entretien du 74200. Pour la liste complète, voir page 37.

### 5.3 COMPOSANTS DE L'ASSEMBLAGE DE L'EMBOUT 74200

La forme des embouts varie en fonction du type d'insert. Chaque embout représente un assemblage unique de composants qui peuvent être commandés individuellement. Tous les embouts comprennent également un contre-écrou d'embout 2 (numéro de pièce 07555-00901).

Les numéros des composants font référence à l'illustration de la page opposée. Nous vous recommandons de disposer d'un certain stock car les pièces devront être remplacées régulièrement. Lisez attentivement les instructions d'entretien des embouts ci-contre.

TAILLE DE L'INSERT	OUTIL COMPLET	ASSEMBLAGE D'EMBOUT	1	3	4	5
<b>LARGEFLANGEINSERTS (9698,FS58,9408,9418,9498)+STANDARDNUTSERT®(9500)+SQUARESERT®(GK08)+EUROSERT®(GJ08)</b>						
M3	74200-00083	07555-09883	07555-00903	07555-09003	07555-01003	07555-09103
M4	74200-00084	07555-09884	07555-00904	07555-09004	07555-01004	07555-09104
M5	74200-00085	07555-09885	07555-00905	07555-09005	07555-01005	07555-09105
M5*	74200-00485	07555-09185	07555-00915	07555-09005	07555-01005	07555-09105
M6	74200-00086	07555-09886	07555-00906	07555-09006	07555-01006	07555-09106
M8	74200-00088	07555-09888	07555-00908	07555-09008	07555-01008	07555-09108
M10	74200-00080	07555-09880	07555-00910	07555-09010	07555-01010	–
M12	74200-00082	74200-09882 †	07555-00912	07555-09012	07555-01012	–
4 UNC	74200-00054	07555-09854	07555-00854	07555-09054	07555-00754	07555-09154
6 UNC	74200-00056	07555-09856	07555-00856	07555-09056	07555-00756	07555-09156
8 UNC	74200-00058	07555-09858	07555-00858	07555-09058	07555-00758	07555-09158
10 UNC	74200-00050	07555-09850	07555-00850	07555-09050	07555-00750	07555-09150
1/4 UNC	74200-00048	07555-09848	07555-00848	07555-09048	07555-00748	07555-09148
5/16 UNC	74200-00040	07555-09840	07555-00840	07555-09040	07555-00740	07555-09140
3/8 UNC	74200-00042	07555-09842	07555-00842	07555-09042	07555-00742	–
10 UNF	74200-00070	07555-09870	07555-00850	07555-09070	07555-00750	07555-09150
1/4 UNF	74200-00068	07555-09868	07555-00848	07555-09068	07555-00748	07555-09148
5/16 UNF	74200-00060	07555-09860	07555-00840	07555-09060	07555-00740	07555-09140
3/8 UNF	74200-00062	07555-09862	07555-00842	07555-09062	07555-00742	–
3/16 BSW	74200-00016	07555-09816	07555-00850	07555-09016	07555-00750	07555-09150
1/4 BSW	74200-00018	07555-09818	07555-00848	07555-09018	07555-00748	07555-09148
5/16 BSW	74200-00010	07555-09810	07555-00840	07555-09019	07555-00740	07555-09140
<b>TÔLE MINCE NUTSERT® (9468, FS38, 9658, 9488)</b>						
M3	74200-00183	07555-09983	07555-00993	07555-09003	07555-01003	07555-09103
M4	74200-00184	07555-09984	07555-00994	07555-09004	07555-01004	07555-09104
M5	74200-00185	07555-09985	07555-00995	07555-09005	07555-01005	07555-09105
M6	74200-00186	07555-09986	07555-00996	07555-09006	07555-01006	07555-09106
M8	74200-00188	07555-09988	07555-00998	07555-09008	07555-01008	07555-09108
M10	74200-00180	07555-09980	07555-00999	07555-09010	07555-01010	–
M12	74200-00182	74200-09982 †	07555-00992	07555-09012	07555-01012	–
4 UNC	74200-00154	07555-09954	07555-00954	07555-09054	07555-00754	07555-09154
6 UNC	74200-00156	07555-09956	07555-00956	07555-09056	07555-00756	07555-09156
8 UNC	74200-00158	07555-09958	07555-00958	07555-09058	07555-00758	07555-09158
10 UNC	74200-00150	07555-09950	07555-00950	07555-09050	07555-00750	07555-09150
1/4 UNC	74200-00148	07555-09948	07555-00948	07555-09048	07555-00748	07555-09148
5/16 UNC	74200-00140	07555-09940	07555-00940	07555-09040	07555-00740	07555-09140
10 UNF	74200-00170	07555-09970	07555-00950	07555-09070	07555-00750	07555-09150
1/4 UNF	74200-00168	07555-09968	07555-00948	07555-09068	07555-00748	07555-09148
5/16 UNF	74200-00160	07555-09960	07555-00940	07555-09060	07555-00740	07555-09140
3/16 BSW	74200-00116	07555-09916	07555-00950	07555-09016	07555-00750	07555-09150
1/4 BSW	74200-00118	07555-09918	07555-00948	07555-09018	07555-00748	07555-09148
0BA	74200-00130	07555-09930	07555-00996	07555-09030	07555-01006	07555-09106
2BA	74200-00132	07555-09932	07555-00950	07555-09032	07555-00750	07555-09150
4BA	74200-00134	07555-09934	07555-00934	07555-09034	07555-00756	07555-09134
<b>SUPERSERT® – EXTRÉMITÉ OUVERTE ET FERMÉE (FB)</b>						
M3	74200-00283	07555-09583	07555-07103	07555-09003	07555-01003	07555-09103
M4	74200-00284	07555-09584	07555-07104	07555-09004	07555-01004	07555-09104
M5	74200-00285	07555-09585	07555-07105	07555-09005	07555-01005	07555-09105
M6	74200-00286	07555-09586	07555-07106	07555-09006	07555-01006	07555-09106

TAILLE DE L'INSERT	OUTIL COMPLET	ASSEMBLAGE D'EMBOUT	1	3	4	5
<b>LARGEFLANGEINSERTS (9698,FS58,9408,9418,9498)+STANDARDNUTSERT®(9500)+SQUARESERT®(GK08)+EUROSERT®(GJ08)</b>						
M8	74200-00288	07555-09588	07555-07108	07555-09008	07555-01008	07555-09108
8 UNC	74200-00258	07555-09558	07555-07158	07555-09058	07555-00758	07555-09158
10 UNC	74200-00250	07555-09550	07555-07150	07555-09050	07555-00750	07555-09150
1/4 UNC	74200-00248	07555-09548	07555-07148	07555-09048	07555-00748	07555-09148
8 UNF	74200-00278	07555-09578	07555-07158	07555-09078	07555-00758	07555-09158
10 UNF	74200-00270	07555-09570	07555-07150	07555-09070	07555-00750	07555-09150
1/4 UNF	74200-00268	07555-09568	07555-07148	07555-09068	07555-00748	07555-09148
<b>HEXSERT®(9688)</b>						
M3	74200-00683	07555-09283	07555-08103	07555-09003	07555-01003	07555-09103
M4	74200-00684	07555-09284	07555-08104	07555-09004	07555-01004	07555-09104
M5	74200-00685	07555-09285	07555-08105	07555-09005	07555-01005	07555-09105
M6	74200-00686	07555-09286	07555-08106	07555-09006	07555-01006	07555-09106
M8	74200-00688	07555-09288	07555-00998	07555-09008	07555-01008	07555-09108

- Place tous les inserts répertoriés dans cette section, à l'exception du M5 à large bride Thin Sheet Nutsert®
- Place les inserts M5 à large bride Thin Sheet Nutsert® 09698-00516 SEULEMENT
- † Ces embouts comprennent un écrou adaptateur, numéro de pièce 74200-12119, pour remplacer celui de l'outil.



## 6. ENTRETIEN DE L'OUTIL

Un entretien régulier doit être effectué et une inspection complète doit être effectuée annuellement ou chaque 500 000 cycles, selon ce qui est plus tôt.

- ⚠ ATTENTION** : Ne jamais utiliser de solvant ou d'autres produits chimiques forts pour le nettoyage des pièces non métalliques de l'outil. Ces produits chimiques peuvent affaiblir les matériaux utilisés dans ces pièces.
- ⚠ ATTENTION** : Avant l'entretien, éliminez toute substance dangereuse qui pourrait s'être accumulée en raison des processus de travail.
- ⚠ ATTENTION** : L'employeur est responsable d'assurer que les instructions d'entretien sont données au personnel approprié.
- ⚠ ATTENTION** : L'utilisateur doit ne pas s'impliquer dans l'entretien ou les réparations de l'outil à moins d'avoir été formé de façon appropriée.
- ⚠ ATTENTION** : L'outil doit être examiné régulièrement pour détecter les dommages et les dysfonctionnements.
- ⚠ ATTENTION** : Lisez les consignes de sécurité à la page 28 à 30.

### 6.1 ENTRETIEN QUOTIDIEN

- Tous les jours, avant l'utilisation ou lors de la première mise en service de l'outil, versez quelques gouttes d'huile lubrifiante propre dans l'entrée d'air de l'outil si l'alimentation en air ne comporte pas de lubrificateur. Si l'outil est utilisé en permanence, le tuyau d'air doit être débranché de l'alimentation principale en air et l'outil doit être lubrifié toutes les deux ou trois heures.
- Vérifiez s'il y a des fuites d'air. S'ils sont endommagés, les tuyaux et les raccords doivent être remplacés par de nouveaux articles.
- S'il n'y a aucun filtre sur le régulateur de pression, purgez la conduite d'air pour la nettoyer de la saleté ou de l'eau accumulée avant de connecter le tuyau d'air à l'outil.
- Vérifiez que l'assemblage d'embout est correct.
- Vérifiez que la course de l'outil est suffisante pour placer l'insert sélectionné. (Voir la page de réglage de la course 33).
- Inspectez la vis d'entraînement de l'embout pour voir si elle est usée ou endommagée. Si c'est le cas, renouvelez-la.

### 6.2 ENTRETIEN HEBDOMADAIRE

- \* Vérifier l'absence de fuites d'huile et de fuites d'air sur le tuyau d'alimentation en air et les raccords.

### 6.3 NÉCESSAIRE D'ENTRETIEN

Pour tous les travaux d'entretien, nous recommandons l'utilisation du nécessaire d'entretien (numéro de pièce 74200-99990) fourni dans sa propre mallette en plastique.

NÉCESSAIRE D'ENTRETIEN 74200-99990					
Numéro de pièce	Description	QTÉ	Numéro de pièce	Description	QTÉ
07900-00618	POUSSOIR	1	07900-00393	CLÉ 14mm/15mm	1
07900-00619	DOUILLE DE GUIDAGE	1	07900-00409	CLÉ 12mm/13mm	1
07900-00478	CHASSE-GOUPILLES Ø 3mm	1	07900-00626	CLÉ de 11 mm	1
07900-00624	CHASSE-GOUPILLES Ø 4mm	1	07900-00469	CLÉ HEXAGONALE de 2,5 mm	1
07900-00157	PINCE À ANNEAU DE RETENUE INTERNE	1	07900-00351	CLÉ HEXAGONALE de 3 mm	1
07900-00161	PINCE À ANNEAU DE RETENUE EXTERNE	1	07900-00224	CLÉ HEXAGONALE de 4 mm	1
07900-00625	MALLETTE SOUPLE	1	07900-00225	CLÉ HEXAGONALE de 5 mm	1
07900-00623	25 mm SOCKET	1	07900-00620	CLÉ HEXAGONALE de 12 mm	1
07900-00006	SPATULE	1	07900-00456	BARRE EN T	1
07900-00434	CLÉ de 32 mm	1	07992-00075	MOLYKOTE 55M (TUBE DE 100 gm)	1
07900-00621	CLÉ de 28 mm	1	07900-00627	BOÎTIER EN PLASTIQUE	1
07900-00637	CLÉ de 17 mm	1	07900-00632	CLÉ 17mm/19mm	1
07900-00643	BOUTON POUSSOIR	1			

## 6.4 ENTRETIEN

Tous les 500 000 cycles, l'outil doit être entièrement démonté et les composants doivent être remplacés lorsqu'ils sont usés, endommagés ou lorsque cela est recommandé. Tous les joints toriques et les joints d'étanchéité doivent être remplacés par des joints neufs et lubrifiés avec de la graisse Molykote 55M avant l'assemblage.

- ⚠ AVERTISSEMENT :** Lisez les consignes de sécurité à la page 28 à 30.
- ⚠ AVERTISSEMENT :** L'employeur est responsable d'assurer que les instructions d'entretien sont données au personnel approprié.
- ⚠ AVERTISSEMENT :** L'utilisateur doit ne pas s'impliquer dans l'entretien ou les réparations de l'outil à moins d'avoir été formé de façon appropriée.
- ⚠ AVERTISSEMENT :** L'outil doit être examiné régulièrement pour détecter les dommages et les dysfonctionnements.

La conduite d'air doit être débranchée avant toute tentative d'entretien ou de démontage, sauf instructions contraires spécifiques.

Il est recommandé que toute opération de démontage soit effectuée dans des conditions propres. Avant de procéder au démontage, videz l'huile de l'outil. Retirez le bouchon d'huile **42**, la rondelle d'étanchéité d'huile **43**, la vis de purge **48** et la rondelle de la vis de purge **49** de l'ensemble de la poignée et vidangez l'huile dans un conteneur approprié.

Avant de démonter l'outil, il est nécessaire de retirer l'embout. Pour des instructions de démontage simple, voir la section sur les embouts, pages 34-37.

Pour un entretien complet de l'outil, nous vous conseillons de procéder au démontage des sous-ensembles dans l'ordre indiqué ci-dessous.

## 6.5 CYLINDRE PNEUMATIQUE

- Retirez la base en caoutchouc **2**.
- Placez l'outil, la base vers le haut, dans un étau muni de mâchoires souples.
- À l'aide d'une clé\*, dévissez le bouchon d'extrémité **3**. Le piston pneumatique **9** doit se déplacer vers le haut sous la pression du ressort **11** (il peut être nécessaire d'exercer une pression manuelle sur le piston pneumatique **9**).
- Remplacez le joint torique **4**.
- Retirez le piston pneumatique **9**.
- Retirez le joint à lèvres **8** et le joint torique **36**.
- Maintenez la tige de piston **10** dans des mâchoires d'étau souples pour éviter de rayer le diamètre de la tige.
- Séparez la tige de piston **10** du piston pneumatique **9** en dévissant le boulon de fixation **5** de la tige de piston à l'aide d'une clé\*.
- Vérifiez que le tube d'air **12** n'est pas endommagé ou déformé. (Le tube d'air est vissé à l'intérieur de la poignée et fixé en position avec du Loctite® 222). S'il est nécessaire de retirer le tube d'air, la base du tube d'air devra être chauffée à une température de 100 °C pour ramollir l'adhésif Loctite. Le tube d'air **12** peut alors être dévissé de la poignée à l'aide d'une clé hexagonale\*.
- Vérifiez que le ressort **11** n'est pas déformé ou endommagé.
- L'assemblage se fait dans l'ordre inverse du démontage.

## 6.6 GUIDE DE TIGE

- Avec l'outil en position inversée dans l'étau, dévissez le guide de tige **15** à l'aide d'une clé\* et d'une barre en T\*.
- Retirez le guide de tige **15**.
- Dévissez le contre-écrou **13** à l'aide d'une clé hexagonale\*, retirez le joint **14** et le joint torique **98**.
- Remplacez le joint torique **16**.
- L'assemblage se fait dans l'ordre inverse du démontage.

\* Fait référence aux éléments inclus dans le nécessaire d'entretien du 74200. Pour la liste complète, voir page 37. Les numéros de pièces **en gras** renvoient au plan d'assemblage général et à la liste des pièces (pages 42-43).

## 6.7 GÂCHETTE

- L'outil étant maintenu dans l'étau, retirez la goupille **26** à l'aide d'un chasse-goupilles\*.
- Retirez la gâchette **25**, l'axe **22**, le rouleau **23** et la cale de poussée **24**.
- Poussez doucement sur la tête de la tige de déclenchement **20** et retirez-la avec les joints toriques **7** et **21**, le guide **19**, le joint à lèvres **18** et le bouchon **17**.
- L'assemblage se fait dans l'ordre inverse du démontage. Assurez-vous que la lèvre du joint à lèvres **18** est orientée vers la tête de l'outil.

## 6.8 ENTRÉE D'AIR PIVOTANTE (74200-12700)

- À l'aide d'une clé hexagonale\*, retirez la vis **40** et la rondelle **39**.
- Retirez l'entrée pivotante **38**.
- Dévissez le connecteur double mâle **41** de l'entrée pivotante **38** et retirez la rondelle en nylon **33**.
- À l'aide d'une clé\*, retirez le boulon percé **37**.
- Retirez les deux rondelles en nylon **33** et le bloc d'entrée d'air **35**.
- Retirez l'anneau de retenue **97** du connecteur double mâle **41** à l'aide d'une pince à anneau de retenue et retirez le filtre à douille **96**.
- Montez dans l'ordre inverse du démontage.
- Fait référence aux éléments inclus dans le nécessaire d'entretien du 74200. Pour la liste complète, voir page 37.

Les numéros de pièces en gras renvoient au plan d'assemblage général et à la liste des pièces (pages 42-43).

## 6.9 VANNE DIFFÉRENTIELLE

- À l'aide d'une clé plate spéciale\*, dévissez le bouchon de verrouillage de la vanne **27**, retirez et enlevez le ressort **104** et le joint torique **29**.
- Retirez le silencieux **34** à l'aide d'une clé plate\* et retirez la rondelle en nylon **33**.
- Poussez le piston de la vanne **28** hors de son logement avec les joints toriques **30**, **31** et **32**.
- Vérifiez que le ressort **104** n'est pas déformé et remplacez-le si nécessaire.
- Montez dans l'ordre inverse du démontage.

## 6.10 ASSEMBLAGE DE LA TÊTE

- Retirez l'équipement d'embout avant de commencer le démontage.
- À l'aide d'une clé\*, retirez la broche **44** et le contre-écrou **45**.
- Retirez le contre-écrou du ressort de rappel **46** à l'aide d'une clé\*.
- Retirez le ressort de rappel **47**, la rondelle **99** et la bague de verrouillage **90**.
- Vérifiez la déformation du ressort de retour **47** et remplacez-le si nécessaire.
- Montez dans l'ordre inverse du démontage.

## 6.11 BOÎTIER ARRIÈRE

- À l'aide d'une clé hexagonale\*, retirez la vis **40** du doigt de réglage de la course **88** et soulevez la rondelle de pont **95**.
- Désengagez le doigt de réglage de la course **88** en le poussant contre le ressort **89**.
- Dévissez le boîtier arrière **86**.
- Retirez l'élastique du boîtier arrière **87** si nécessaire.
- Enlevez l'anneau de retenue **84** à l'aide d'une pince à anneau de retenue\* et retirez le silencieux à douille **85**.
- Terminez le montage dans l'ordre inverse du démontage. Localisez le cliquet **102** dans la tête avant de visser le boîtier arrière **86**.

## 6.12 DISTRIBUTEUR

- \* À l'aide d'une clé hexagonale, retirez les deux vis **40**.
- \* Retirez le distributeur **83** ainsi que le bouchon du moteur pneumatique **81** et les joints toriques **82** et **31** en veillant à ne pas faire tomber la bille **79** et la tige de poussée **78**.
- \* À l'aide d'une clé hexagonale\*, retirez quatre vis à tête fraisée **58** et retirez la butée de course **57**.

\* Fait référence aux éléments inclus dans le nécessaire d'entretien du 74200. Pour la liste complète, voir page 37.  
Les numéros de pièces en gras renvoient au plan d'assemblage général et à la liste des pièces (pages 42-43).

- \* Retirez les deux tubes d'alimentation en air **59** et les quatre joints toriques **60**.
- \* Remontez dans l'ordre inverse du démontage.

### 6.13 ENSEMBLE PISTON HYDRAULIQUE ET MOTEUR PNEUMATIQUE (74200-12610)

- Enroulez du ruban adhésif autour du filetage du piston hydraulique **54** et faites reculer l'ensemble lentement et fermement. À l'aide d'une pince à anneau de retenue\*, retirez l'anneau de retenue **52** et le joint avant **51**.
- Retirez les joints toriques **76** et **77**.
- À l'aide de deux clés\*, séparez le piston hydraulique **54** du boîtier du moteur pneumatique **75**. La bague de réglage des cales **55**, le pivot de mouvement **56** et le joint torique **101** sortent avec le piston hydraulique **54**.
- Retirez l'ensemble du moteur pneumatique du boîtier du moteur pneumatique **75**, retirez l'anneau de retenue **61** à l'aide d'une pince à anneau de retenue\*, puis tapez sur le boîtier du moteur pneumatique **75** sur un banc pour libérer les composants.
- Les pièces **62** à **74** peuvent être retirées comme un ensemble, en veillant à ne pas faire tomber la goupille **74**.
- Retirez le roulement **62**, l'axe du planétaire **63**, les trois planétaires **64**, l'engrenage planétaire **65** et l'entretoise **66**.
- À l'aide d'un maillet souple, tapez sur la tête cannelée du rotor **70**.
- Le roulement **67** et la plaque d'extrémité avant **68** sortent avec le stator **69** et les cinq pales du rotor **71**. (le rotor **70** reste dans la main).
- Placez la plaque d'extrémité arrière **72** dans un étau à mâchoires souples.
- À l'aide d'un chasse-goupilles\*, tapez au centre du rotor **70** pour retirer le roulement **73**. (tournez le rotor **70** à l'envers et le roulement **73** sortira).
- Lors de l'assemblage du moteur pneumatique, la face arrière du rotor **70** doit juste toucher la plaque d'extrémité arrière **72** sans aucun jeu axial (tout jeu existant disparaîtra lorsque le roulement **73** sera entièrement placé).
- Lors de l'insertion du moteur pneumatique dans le boîtier du moteur pneumatique **75**, alignez soigneusement les pièces de sorte que l'axe **74** se trouve dans le trou central entre les orifices de mise en marche et d'arrêt du boîtier du moteur pneumatique **75** et la plaque d'extrémité arrière **72**.
- Lors de l'assemblage du piston hydraulique **54** sur le moteur pneumatique, serrez les pièces à la main et soufflez de l'air dans l'un des orifices extérieurs du boîtier du moteur pneumatique **75**, en vérifiant que le moteur pneumatique tourne librement.
- Lors du montage du joint avant **51**, assurez-vous que le plus grand diamètre est orienté vers l'arrière de l'outil.
- Terminez le montage dans l'ordre inverse du démontage.



**ATTENTION** : Vérifiez l'outil par rapport à l'entretien quotidien et hebdomadaire.



**ATTENTION** : L'amorçage est TOUJOURS nécessaire après le démontage de l'outil et avant son utilisation.

\* Fait référence aux éléments inclus dans le nécessaire d'entretien du 74200. Pour la liste complète, voir page 37. Les numéros de pièces **en gras** renvoient au plan d'assemblage général et à la liste des pièces (pages 42-43).

**6.14 DONNÉES DE SÉCURITÉ MOLYKOTE 55m**

La graisse peut être commandée comme article séparé, la référence est indiquée sur la page du nécessaire d'entretien 37.

**PREMIERS SOINS**

PEAU : Essuyez et lavez avec de l'eau et du savon.

INGESTION : Aucun effet indésirable n'est normalement attendu. Traitez selon les symptômes.

YEUX : Irritant, mais pas dangereux. Irriguez avec de l'eau et consultez un médecin.

**ENVIRONNEMENT**

Rassemblez pour l'incinération ou l'élimination dans un site approuvé.

**INCENDIE**

POINT D'ÉCLAIR : 101 °C

Non classé comme inflammable.

Moyens d'extinction appropriés : Dioxyde de carbone, mousse, poudre sèche ou jet d'eau fin.

**MANUTENTION**

Le port de gants en plastique ou en caoutchouc est nécessaire.

**ENTREPOSAGE**

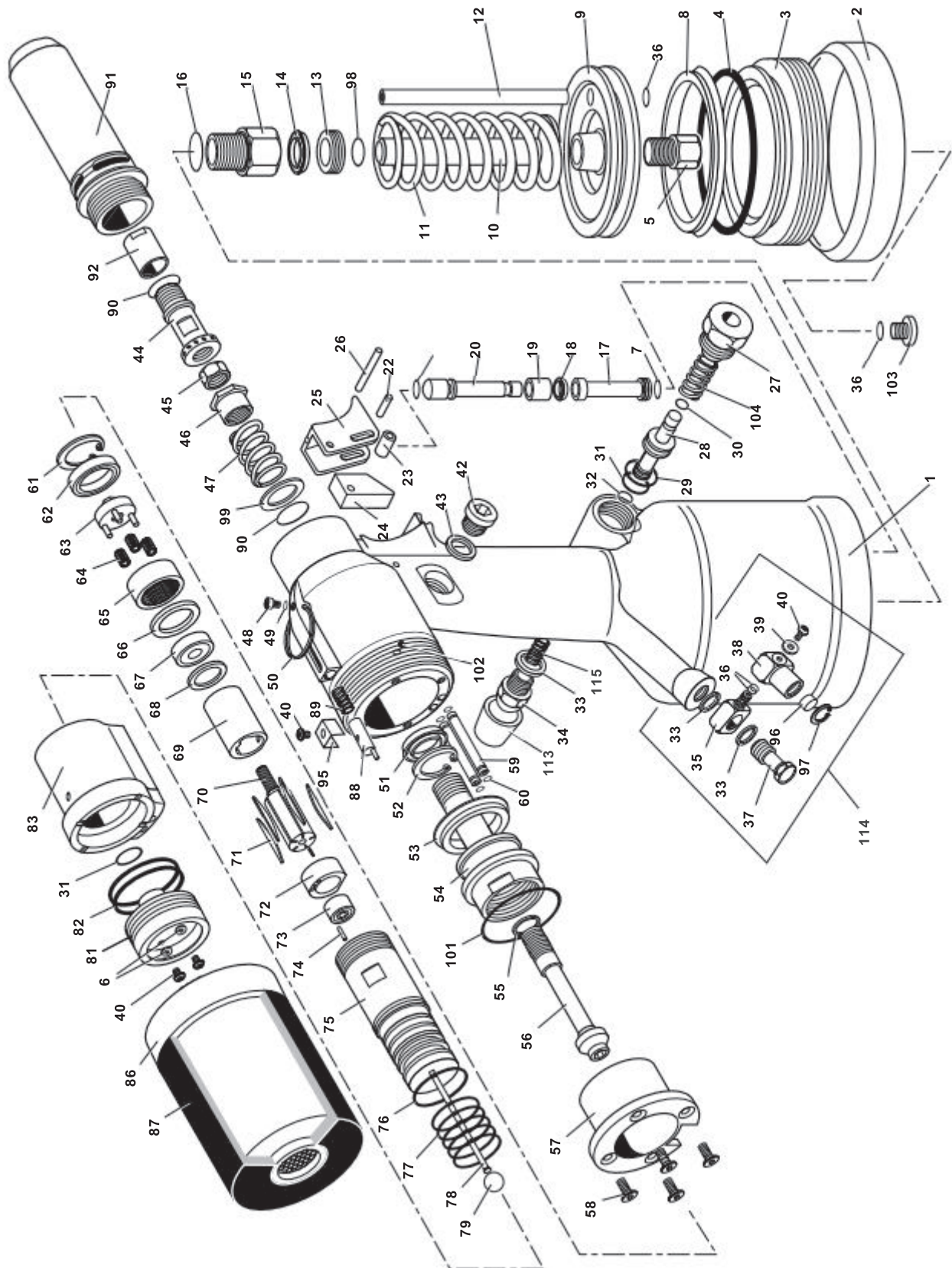
À l'écart de la chaleur et des oxydants.

**6.15 PROTÉGER L'ENVIRONNEMENT**

Assurez-vous de la conforme aux réglementations applicables sur l'élimination. Éliminez tous les déchets dans une installation ou un site de gestion des déchets approuvé afin de ne pas exposer le personnel et l'environnement aux dangers.

## 7. ASSEMBLAGE GÉNÉRAL

### 7.1 ASSEMBLAGE GÉNÉRAL DE L'OUTIL DE BASE 74200-12000





7.2 LISTE DES PIÈCES DE L'ASSEMBLAGE GÉNÉRAL 74200-12000

Liste de pièces pour 74200-12000

LISTE DES PIÈCES 74200-12000																	
ARTICLE	N° DE LA PIÈCE	DESCRIPTION	QTE	REC. PIÈCES DE RECHANGE	REC. PIÈCES DE RECHANGE	ARTICLE	N° DE LA PIÈCE	DESCRIPTION	QTE	REC. PIÈCES DE RECHANGE	REC. PIÈCES DE RECHANGE	ARTICLE	N° DE LA PIÈCE	DESCRIPTION	QTE	REC. PIÈCES DE RECHANGE	
01	74200-12001	TÊTE & POIGNÉE	1	-	-	40	07001-00420	VIS À TÊTE BOUTON M4	4	4	-	79	74200-12079	BILLE (CAOUTCHOUC)	1	1	
02	74200-12002	BASE EN CAOITCHOU	1	1	-	-	-	-	-	-	-	80	73200-02022	ÉTIQUETTE DE SÉCURITÉ	1	N/1	
03	74200-12003	BOUCHON D'EXTREMITÉ (VISSE)	1	-	-	42	07005-01274	BOUCHON D'HUILE	1	1	-	81	74200-12081	BOUCHON D'EXTREMITÉ DU MOTEUR PNEUMATIQUE	1	-	
04	74200-12004	JOINT TORIQUE	1	1	-	43	74200-12043	RONDELLE D'ÉTANCHÉITÉ D'HUILE	1	1	-	82	74200-12082	JOINT TORIQUE	2	2	
05	74200-12005	BOULON DE FIXATION DE LA TIGE DE PISTON	1	-	-	44	74200-12044	TIGE	1	1	-	83	74200-12083	DISTRIBUTEUR	1	-	
06	07002-00109	RONDELLE ANTI-SECousse M4	2	-	-	45	07555-00803	ÉCROU DE VERROUILLAGE	1	1	-	-	-	-	-	-	-
07	07003-00027	JOINT TORIQUE	2	2	-	46	74200-12046	CONTRE-ÉCROU DU RESSORT DE RETOUR	1	1	-	85	74200-12085	SILENCIEUX À DOUILLE	-	-	
08	74200-12008	JOINT À LEVRE (PISTON PNEUMATIQUE)	1	1	-	47	74200-12047	RESSORT DE RETOUR	1	1	-	86	74200-12800	ENSEMBLE DU BOITIER ARRIÈRE	1	-	
09	74200-12009	PISTON PNEUMATIQUE	1	-	-	48	07001-00329	VIS DE PURGE M5	1	1	-	87	74200-12087	BANDE ELASTIQUE DU BOITIER ARRIÈRE	1	1	
10	74200-12010	TIGE DE PISTON (INTENSIFICATEUR)	1	-	-	49	07003-00033	RONDELLE DE PURGE DU JOINT DE L'HUILE	1	1	-	88	74200-12088	DOIGT DE REGLAGE DE LA COURSE	1	1	
11	07555-00205	RESSORT	1	1	-	50	07265-03021	ANNEAU DE SUSPENSION	1	1	-	89	74200-12089	RESSORT	1	1	
12	74200-12012	TUBE D'ALIMENTATION EN AIR	1	1	-	51	07265-02004	JOINT AVANT	1	1	-	90	07003-00028	BAGUE DE VERROUILLAGE	2	2	
13	74200-12013	ÉCROU DE VERROUILLAGE	1	-	-	52	07004-00033	ANNEAU DE RETENUE	1	1	-	91	74200-12091	BOITIER DE L'EMBOUIT	1	-	
14	74200-12014	JOINT D'ÉTANCHÉITÉ	1	1	-	53	74200-12053	JOINT D'ÉTANCHÉITÉ	1	1	-	92	74200-12092	ÉCROU D'ADAPTATEUR (JUSQU'À M10)	1	1	
15	74200-12015	GUIDE DE TIGE	1	-	-	54	74200-12054	PISTON HYDRAULIQUE	1	-	-	93	74200-12093	ÉTIQUETTE COLORÉE	1	N/1	
16	07003-00100	JOINT TORIQUE	1	1	-	55	74200-12055	BAGUE DE REGLAGE DES CALES	1	1	-	94	07900-00354	ÉTIQUETTE DE SÉCURITÉ A ATTACHER	1	N/1	
17	74200-12017	BOUCHON	1	-	-	56	74200-12056	PIVOT DE MOUVEMENT	1	1	-	95	74200-12095	RONDELLE DE PONT	1	1	
18	74200-12018	JOINT À LÈVRES	1	1	-	57	74200-12057	BUTÉE DE COURSE	1	-	-	96	74200-12096	FILTRE À DOUILLE	1	1	
19	74200-12019	GUIDE	1	-	-	58	07001-00427	VIS À TÊTE CREUSE M5CSK	4	4	-	97	74200-12097	ANNEAU DE RETENUE	1	1	
20	74200-12020	TIGE DE GÂCHETTE	1	-	-	59	74200-12059	TUBE D'ALIMENTATION EN AIR DU MOTEUR	2	2	-	98	07003-00134	JOINT TORIQUE	1	1	
21	07003-00315	JOINT TORIQUEA 07003-00315	1	1	-	60	74200-12060	JOINT TORIQUE	4	4	-	99	74200-12099	RONDELLE	1	1	
22	74200-12022	BROCHE	1	1	-	61	74200-12061	ANNEAU DE RETENUE	1	1	-	100	07007-01526	ÉTIQUETTE « CE » (AVDEL ITALIE)	1	N/1	
23	74200-12023	ROULEAU	1	1	-	62	74200-12062	COUSSINET	1	-	-	101	74200-12121	JOINT TORIQUE	1	1	
24	74200-12024	CALE DE POUSSÉE	1	-	-	63	74200-12063	AXE DE PLANÉTAIRE	1	-	-	102	74200-12122	CLIQUET (CAOUTCHOUC)	1	1	
25	74200-12025	GÂCHETTE	1	1	-	64	07555-09208	PLANÉTAIRE	3	-	-	103	74200-12103	BOUCHON	1	1	
26	74200-12026	BOUCHE	1	1	-	65	74200-12065	ENGRENAGE PLANÉTAIRE	1	-	-	104	74200-12104	RESSORT	1	N/1	
27	74200-12027	BOUCHON DE VERROUILLAGE DE LA VANNE	1	-	-	66	74200-12066	ENTRETOISE	1	-	-	105	07900-00614	GUIDE DE L'OUTIL	2	N/1	
28	74200-12028	PISTON DE VANNE	1	-	-	67	07555-09206	COUSSINET	1	-	-	106	07900-00632	CLÉ FINE DE 17/19 MM	1	N/1	
29	07003-00086	JOINT TORIQUE	1	1	-	68	07555-09210	PLAQUE D'EXTREMITÉ AVANT	1	-	-	107	07900-00409	CLÉ DE 12/13 MM	1	N/1	
30	07003-00040	JOINT TORIQUE	1	1	-	69	07555-09211	STATOR	1	-	-	108	07900-00224	CLÉ HEXAGONALE DE 4 MM	1	N/1	
31	07003-00026	JOINT TORIQUE	2	2	-	70	74200-12070	ROTOR	1	-	-	109	07900-00225	CLÉ HEXAGONALE DE 5 MM	1	N/1	
32	07003-00046	JOINT TORIQUE	1	1	-	71	07555-09213	LAME DU ROTOR	5	5	-	110	07900-00624	CHASSE-GOUPILLES DE 4 MM	1	N/1	
33	74200-12033	RONDELLE EN NYLON 1/8 po	3	4	-	72	07555-09214	PLAQUE D'EXTREMITÉ ARRIÈRE	1	-	-	111	07900-00637	CLÉ PLATE SPECIALE DE 17MM	1	N/1	
34	74200-12034	SILENCIEUX 1/8 po	1	1	-	73	07555-09215	COUSSINET	1	-	-	112	07900-00469	CLÉ HEXAGONALE DE 2,5 MM	-	-	
35	74200-12035	BLOC D'ENTRÉE D'AIR	1	-	-	74	07555-09216	BROCHE	1	1	-	113	74200-12300	ASSEMBLAGE DE DÉFLECTEUR	1	N/1	
36	07003-00029	JOINT TORIQUE	4	4	-	75	74200-12075	BOITIER DU MOTEUR PNEUMATIQUE	1	-	-	114	74200-12700	ASSEMBLAGE D'ENTRÉE	1	-	
37	74200-12037	BOULON PERCÉ	1	-	-	76	07003-00305	JOINT TORIQUE	1	1	-	115	07340-00401	RESSORT	1	-	
38	74200-12038	ENTRÉE PIVOTANTE	1	-	-	77	07003-00306	JOINT TORIQUE	5	5	-	-	-	-	-	-	
39	74200-12039	RONDELLE	1	1	-	78	74200-12078	TIGE DE POUSSÉE LONGUE DE 80MM	1	1	-	-	-	-	-	-	

## 8. AMORÇAGE

L'amorçage est TOUJOURS nécessaire après le démontage de l'outil et avant son utilisation. Il peut également être nécessaire de rétablir la course complète après une utilisation considérable, lorsque la course peut être réduite et que les fixations ne sont pas entièrement placées par une seule opération de la gâchette.

### 8.1 DÉTAILS SUR L'HUILE

L'huile d'amorçage recommandée est Hyspin® VG32, disponible en contenants de 0,5 l (référence 07992-00002) ou d'un gallon (référence 07992-00006). Veuillez consulter les données de sécurité ci-dessous.

### 8.2 DONNÉES DE SÉCURITÉ DE L'HUILE HYSPIN®VG 32

#### PREMIERS SOINS

PEAU :

Lavez soigneusement à l'eau et au savon dès que possible. Un contact occasionnel ne nécessite pas d'attention immédiate. Les contacts brefs ne nécessitent pas d'attention immédiate.

INGESTION :

Consultez immédiatement un médecin. NE provoquez PAS de vomissements.

YEUX :

Rincez immédiatement à l'eau pendant plusieurs minutes. Bien qu'il ne s'agisse PAS d'un irritant primaire, une irritation mineure peut se produire après contact.

#### INCENDIE

Point d'éclair 232°C. Non classé comme inflammable.

Moyens d'extinction appropriés : CO<sub>2</sub>, poudre sèche, mousse ou brouillard d'eau. N'utilisez PAS de jets d'eau.

#### ENVIRONNEMENT

ÉLIMINATION DES DÉCHETS : Par l'intermédiaire d'un entrepreneur autorisé, vers un site autorisé. Peut être incinéré. Le produit usagé peut être envoyé à la récupération. DÉVERSEMENTS : Empêchez la pénétration dans les drains, les égouts et les cours d'eau. Épongez avec un matériau absorbant.





#### MANUTENTION

Portez des lunettes de protection, des gants imperméables (par exemple en PVC) et un tablier en plastique. Utilisez dans un endroit bien ventilé.

#### ENTREPOSAGE

Aucune précaution particulière.

### 8.3 PROCÉDURE D'AMORÇAGE

-  **ATTENTION** : Assurez-vous que l'huile est parfaitement propre et exempte de bulles d'air.
-  **ATTENTION** : L'outil doit rester sur son côté pendant toute la séquence d'amorçage.
-  **ATTENTION** : Toutes les opérations doivent être effectuées sur un établi propre, avec des mains propres et dans une zone propre.
-  **ATTENTION** : ASSUREZ-vous à tout moment qu'aucun corps étranger ne pénètre dans l'outil, sinon vous risquez de l'endommager gravement.

- Placez l'outil sur le côté, le bouchon d'huile **42** vers le haut.
- Tirez le doigt de réglage de la course **88** vers l'arrière et dévissez le boîtier arrière **86** d'un maximum de **5** tours à partir de la position complètement « IN ».
- Avec une clé hexagonale, dévissez le bouchon d'huile **42** et retirez-le avec la rondelle d'étanchéité **43**.
- Remplissez l'outil d'huile d'amorçage en le secouant doucement pour expulser l'air.
- Remplacez la rondelle d'étanchéité **43** et le bouchon d'huile **42** et serrez-les.
- Vous devez maintenant purger l'outil. Cette opération permet de s'assurer que les bulles d'air sont éliminées du circuit d'huile.
- En vous assurant que la vis de purge d'huile **48** est complètement serrée, dévissez-la d'UN TOUR seulement, à l'aide d'une clé hexagonale. Connectez l'outil à l'alimentation en air et appuyez sur la gâchette.
- Attendez que l'huile apparaisse tout autour de la vis de purge d'huile **48** puis resserrez-la. Essuyez l'excès d'huile.

Les numéros de pièces **en gras** renvoient au plan d'assemblage général et à la liste des pièces (pages 42-43).



- Relâchez la gâchette.
- À l'aide d'une clé hexagonale, ouvrez le bouchon d'huile **42**.
- Complétez avec de l'huile d'amorçage pour remettre le niveau à zéro. Remplacez la rondelle d'étanchéité **43** et le bouchon d'huile **42** et serrez-les à fond.
- Il est nécessaire de mettre en place l'équipement d'embout approprié et de régler la course de l'outil avant de l'utiliser.

## 9. DIAGNOSTIC DE PANNE

PROBLÈME	CAUSE POSSIBLE	SOLUTION	RÉFÉRENCE PAGE
Le moteur pneumatique fonctionne lentement	Fuite d'air du moteur	Vérifiez l'usure des joints. Remplacez	39
	Faible pression d'air	Augmentez	36
	Blocage de la voie d'air	Éliminez la restriction de l'alimentation en air	
	Vis d'entraînement usée	Remplacez	34
	Blocage des ailettes	Lubrifiez l'outil par l'entrée d'air	
L'insert ne se déforme pas correctement	La course est mal réglée	Ajustez	36
	Pression d'air en dehors de la tolérance	Ajustez	36
	Niveau d'huile bas	Amorcez l'outil	46
	Insert hors de portée	Vérifiez la plage de portée de l'insert	
La vis d'entraînement tourne indépendamment du moteur	Arbre d'entraînement usé ou endommagé	Remplacez	
	Vis d'entraînement usée ou endommagée	Remplacez	34
	L'écrou de l'adaptateur est desserré	Serrez	34
	Bague de verrouillage 90 manquante	Montez une nouvelle bague de verrouillage	41
L'insert ne se place pas sur la vis d'entraînement	Taille du filetage de l'insert incorrecte	Remplacez par un insert correct	
	La vis d'entraînement installée est incorrecte	Remplacez par la bonne vis d'entraînement	
	Vis d'entraînement usée ou endommagée	Remplacez	
	L'équipement d'embout est mal monté	Débranchez l'alimentation en air, remontez l'embout avec précaution	34-35
L'outil est bloqué sur l'insert placé	Course excessive/Insert défectueux/Vis d'entraînement usée ou défectueuse	<p>N'APPUYEZ PAS SUR LA GÂCHETTE. Déverrouillez. Actionnez le dispositif de verrouillage et amenez le boîtier arrière vers l'avant en position de course zéro. Appuyez sur la gâchette. L'outil devrait se détacher. Remettez la course à zéro. Si ce n'est pas le cas, débranchez l'air de l'outil. Insérez une goupille de 4 mm Ø dans les fentes de l'embout de la broche <b>44</b>. Tournez jusqu'à ce que la vis d'entraînement sorte. Insert. Utilisez un nouvel insert ET une nouvelle vis d'entraînement.</p>	
La vis d'entraînement se casse	Course de l'outil excessive	Réajustez la course	
	Charge latérale sur la vis d'entraînement	Maintenez l'outil perpendiculairement à l'application lors de la mise en place de l'insert	
L'outil ne tourne pas	L'écrou de l'adaptateur de la vis est desserré	Serrez	
	Pas d'alimentation en air	Connectez	36
	Espace insuffisant entre le contre-écrou <b>45</b> et la broche <b>44</b>	Ajuster à 1,5 mm d'écart à 2 mm d'écart	41
	Tige de poussée <b>78</b> trop courte	Remplacez	42
	Le moteur pneumatique est bloqué	Lubrifiez l'outil à l'entrée d'air. Si cela ne suffit pas, démontez et nettoyez soigneusement le moteur pneumatique	

PROBLÈME	CAUSE POSSIBLE	SOLUTION	RÉFÉRENCE PAGE
Gâchette inopérante	Frottement statique	Appuyez plusieurs fois sur la gâchette	
	Faible pression d'air	Augmentez la pression d'air	
	Le piston de la vanne reste bloqué	Appuyez plusieurs fois sur la gâchette. Lubrifiez l'outil par l'entrée d'air. En cas d'échec, démontez, nettoyez et lubrifiez les éléments de la gâchette	
La vis d'entraînement ne revient pas et/ou continue à tourner	Le joint à lèvres <b>18</b> est défectueux	Remplacez	41
L'outil ne tourne pas	Écrou de l'adaptateur <b>92</b> desserré	Serrez	
	Pas d'alimentation en air	Connectez	
	Le boîtier arrière est dévissé de plus de 5 tours	Course de l'outil de réglage 5 tours	
	Le joint torique <b>82</b> fuit l'air	Remplacez	42
	Distributeur coincé	Lubrifiez	
	Le moteur pneumatique est bloqué	Lubrifiez l'outil à l'entrée d'air. Si cela ne suffit pas, démontez et nettoyez soigneusement le moteur pneumatique	

Les numéros de pièces **en gras** renvoient au plan d'assemblage général et à la liste des pièces (pages 42-43). Les autres symptômes ou défaillances doivent être signalés au distributeur agréé ou au centre de réparation local de Stanley Engineered Fastening.

## 10. DÉCLARATION DE CONFORMITÉ CE

Nous, **Stanley Engineered Fastening, Stanley House, Works Road, Letchworth Garden City, Hertfordshire, SG6 1JY UNITED KINGDOM**, déclarons sous notre seule responsabilité que le produit :

**Description :** Outil hydro-pneumatique pour rivets aveugles 74200

**Modèle :** 74200

auquel cette déclaration est liée, est conforme aux normes harmonisées suivantes :

ISO 12100:2010	EN ISO 3744:2010
EN ISO 11202:2010	EN ISO 11148-1:2011
EN ISO 4413:2010	BS EN 28662-1:1993
EN ISO 4414:2010	EN ISO 20643:2008+A1:2012
EN ISO 28927-5:2009+A1:2015	ES100118-rév. 17:2017

La documentation technique est présentée conformément à l'annexe VII, conformément à la directive suivante : **Directive sur l'équipement (2006/42/EC)**

Le signataire fait cette déclaration au nom de STANLEY Engineered Fastening.



**A. K. Seewraj**

**Directeur du génie, Royaume-Uni**

Avdel UK Limited, Stanley House, Works Road, Letchworth Garden City, Hertfordshire, SG6 1JY ROYAUME-UNI

**Lieu d'émission :** Letchworth Garden City, ROYAUME-UNI

**Date d'émission :** 01-01-2021

Le signataire est responsable de la compilation du fichier technique pour les produits vendus dans l'Union européenne et fait cette déclaration au nom de Stanley Engineered Fastening.

**Matthias Appel**

**Chef d'équipe Documentation technique**

Stanley Engineered Fastening, Tucker GmbH, Max-Eyth-Str.1, 35394 Gießen, Allemagne



Cet équipement est conforme aux  
directive sur l'équipement 2006/42/CE

## 11. DÉCLARATION DE CONFORMITÉ R-U

Nous, **Stanley Engineered Fastening, Stanley House, Works Road, Letchworth Garden City, Hertfordshire, SG6 1JY UNITED KINGDOM**, déclarons sous notre seule responsabilité que le produit :

**Description:** Outil hydro-pneumatique pour rivets aveugles 74200

**Modèle :** 74200

auquel cette déclaration est liée, est conforme aux normes désignées suivantes :

ISO 12100:2010	EN ISO 3744:2010
EN ISO 11202:2010	EN ISO 11148-1:2011
EN ISO 4413:2010	BS EN 28662-1:1993
EN ISO 4414:2010	EN ISO 20643:2008+A1:2012
EN ISO 28927-5:2009+A1:2015	ES100118-rév. 17:2017

La documentation technique est compilée conformément à la **Réglementation de 2008 sur la fourniture de machines (sécurité)**,

S.I. 2008/1597 (tel que modifié).

Le signataire fait cette déclaration au nom de STANLEY Engineered Fastening



**A. K. Seewraj**

**Directeur du génie, Royaume-Uni**

Avdel UK Limited, Stanley House, Works Road, Letchworth Garden City, Hertfordshire, SG6 1JY ROYAUME-UNI

**Lieu d'émission :** Letchworth Garden City, ROYAUME-UNI

**Date d'émission :** 01-01-2021



Cet équipement est conforme aux réglementations sur la Fourniture de machines (sécurité) 2008, S.I. 2008/1597 (telle qu'amendée).

## 12. PROTÉGEZ VOTRE INVESTISSEMENT!

### **GARANTIE SUR LES OUTILS À RIVETS AVEUGLES Stanley® Engineered Fastening**

STANLEY® Engineered Fastening garantit que tous les outils électriques ont été soigneusement fabriqués et qu'ils sont exempts de tout défaut de matériaux et de main-d'œuvre en utilisation normale et l'entretien pendant une période de un (1) an.

Cette garantie s'applique au premier acheteur de l'outil pour l'utilisation originale seulement.

#### **Exclusions :**

##### **Usure normale.**

L'entretien périodique, les réparations et les pièces de remplacement dus à l'usure normale sont exclus de la couverture.

##### **Abus et mauvaise utilisation.**

Une défektivité ou des dommages résultant d'une utilisation inappropriée, d'entreposage, d'une mauvaise utilisation, d'un abus ou d'une négligence, comme des dommages physiques sont exclus de la couverture.

##### **Service ou modification non autorisé.**

Les défektivités ou les dommages résultant d'un service, d'un ajustement de test, d'une installation, d'un entretien, d'une altération ou d'une modification de quelque façon et par quiconque autre STANLEY® Engineered Fastening ou ses centres de services autorisés, sont exclus de la couverture.

Toutes les autres garanties, qu'elles soient expresses ou implicites, incluant toute garantie de qualité marchande et d'adaptation sont par la présente exclues.

Si cet outil ne respecte pas la garantie, retournez rapidement l'outil à l'emplacement du centre de services autorisés le plus près. Pour une liste des centres de services autorisés STANLEY® Engineered Fastening aux États-Unis ou au Canada, contactez-nous à notre ligne sans frais au (877) 364-2781.

À l'extérieur des États-Unis et du Canada, visitez notre site Web **[www.StanleyEngineeredFastening.com](http://www.StanleyEngineeredFastening.com)** pour trouver votre emplacement STANLEY Engineered Fastening le plus près.

STANLEY Engineered Fastening remplacera alors, sans aucuns frais, une ou des pièces trouvées par nous comme étant défectueuses en raison d'un défaut de fabrication et matériau ou de main-d'œuvre et retournera l'outil prépayé. Cela représente notre seule obligation sous cette garantie.

En aucun cas STANLEY Engineered Fastening ne sera tenu responsable de tout dommage consécutif ou spécial découlant de l'achat ou de l'utilisation de cet outil.

#### **Enregistrez votre outil de rivets aveugles en ligne.**

Pour enregistrer votre garantie en ligne, consultez notre site <https://www.stanleyengineeredfastening.com/support/warranty-registration-form>

Merci d'avoir choisi un outil de la marque Stanley Assembly Technologies de STANLEY® Engineered Fastening.



©2021 Stanley Black & Decker inc. Todos los derechos reservados.

La información proporcionada no puede ser reproducida y/o hecha pública de ninguna manera y por ningún medio (electrónico o mecánico) sin el permiso explícito y por escrito previo de STANLEY Engineered Fastening. La información proporcionada se basa en los datos conocidos en el momento de la introducción de este producto. STANLEY Engineered Fastening sigue una política de mejora continua del producto y, por lo tanto, los productos pueden estar sujetos a cambios. La información proporcionada es aplicable al producto tal como lo entrega STANLEY Engineered Fastening. Por lo tanto, STANLEY Engineered Fastening no se responsabiliza por ningún daño que resulte de desviaciones de las especificaciones originales del producto.

La información disponible se redactó con el mayor cuidado. Sin embargo, STANLEY Engineered Fastening no aceptará ninguna responsabilidad con respecto a cualquier falta en la información ni por las consecuencias de la misma. STANLEY Engineered Fastening no aceptará ninguna responsabilidad por daños resultantes de actividades realizadas por terceros. Los nombres de trabajo, nombres comerciales, marcas registradas, etc. utilizados por STANLEY Engineered Fastening no deben considerarse como gratuitos, de conformidad con la legislación con respecto a la protección de marcas comerciales.



<b>1. DEFINICIONES DE SEGURIDAD .....</b>	<b>54</b>
1.1 REGLAS GENERALES DE SEGURIDAD .....	54
1.2 PELIGROS DE PROYECTILES .....	54
1.3 PELIGROS DE OPERACIÓN .....	55
1.4 RIESGOS DE MOVIMIENTOS REPETITIVOS .....	55
1.5 RIESGOS DE ACCESORIOS .....	55
1.6 RIESGOS DEL LUGAR DE TRABAJO .....	55
1.7 RIESGOS DE RUIDO .....	56
1.8 RIESGOS DE VIBRACIÓN .....	56
1.9 INSTRUCCIONES DE SEGURIDAD ADICIONALES PARA HERRAMIENTAS ELECTRONEUMÁTICAS .....	56
<b>2. ESPECIFICACIONES .....</b>	<b>57</b>
2.1 ESPECIFICACIÓN DE HERRAMIENTA DE COLOCACIÓN .....	57
2.2 DIMENSIONES DE HERRAMIENTA .....	57
<b>3. INTENCIÓN DE USO .....</b>	<b>58</b>
4.1 SUMINISTRO DE AIRE .....	58
4.2 AJUSTE DE CARRERA .....	59
4.3 PRINCIPIO DE OPERACIÓN .....	59
<b>5. ENSAMBLES DE PUNTA .....</b>	<b>60</b>
5.1 INSTRUCCIONES DE MONTAJE .....	60
5.2 INSTRUCCIONES DE SERVICIO .....	60
5.3 COMPONENTES DEL ENSAMBLE DE PUNTA 74200 .....	60
<b>6. SERVICIO DE HERRAMIENTA .....</b>	<b>63</b>
6.1 SERVICIO DIARIO .....	63
6.2 SERVICIO SEMANAL .....	63
6.3 JUEGO DE SERVICIO .....	63
6.4 MANTENIMIENTO .....	64
6.5 CILINDRO NEUMÁTICO .....	64
6.6 GUÍA DE VARILLA .....	64
6.7 GATILLO .....	65
6.8 ENTRADA DE AIRE GIRATORIA (74200-12700) .....	65
6.9 VÁLVULA DIFERENCIAL .....	65
6.10 ENSAMBLE DE CABEZAL .....	65
6.11 CARCASA TRASERA .....	65
6.12 DISTRIBUIDOR .....	65
6.13 ENSAMBLE DE PISTÓN HIDRÁULICO Y MOTOR NEUMÁTICO (74200-12610) .....	66
6.14 DATOS DE SEGURIDAD DE MOLYKOTE 55m .....	67
6.15 PROTECCIÓN DEL AMBIENTE .....	67
<b>7. ENSAMBLE GENERAL .....</b>	<b>68</b>
7.1 ENSAMBLE GENERAL DE HERRAMIENTA BASE 74200-12000 .....	68
7.2 LISTA DE PARTES DE ENSAMBLE GENERAL 74200-12000 .....	69
<b>8. CEBADO .....</b>	<b>70</b>
8.1 DETALLES DE ACEITE .....	70
8.2 DATOS DE SEGURIDAD DE ACEITE HYSPI®VG 32 .....	70
8.3 PROCEDIMIENTO DE CEBADO .....	70
<b>9. DIAGNÓSTICO DE FALLA .....</b>	<b>72</b>
<b>10. DECLARACIÓN DE CONFORMIDAD EC .....</b>	<b>74</b>
<b>11. DECLARACIÓN DE CONFORMIDAD DEL REINO UNIDO .....</b>	<b>75</b>
<b>12. ¡PROTEJA SU INVERSIÓN! .....</b>	<b>76</b>



Cualquier persona que instale u opere esta herramienta debe leer este manual de instrucciones, prestando especial atención a las siguientes reglas de seguridad.



Siempre use protección ocular resistente a impactos durante el funcionamiento de la herramienta. El grado de protección requerido debe evaluarse para cada uso.







Use protección auditiva de acuerdo con las instrucciones del empleador y conforme lo exijan las normas de seguridad y salud ocupacional.



El uso de la herramienta puede exponer las manos del operador a riesgos, incluyendo aplastamiento, impacto, cortes, abrasiones y calor. Use guantes adecuados para protegerse las manos.

## 1. DEFINICIONES DE SEGURIDAD

Las siguientes definiciones describen el nivel de severidad para cada palabra de señal. Por favor lea el manual y ponga atención a estos símbolos.

-  **PELIGRO:** Indica una situación de peligro inminente que, si no se evita, causará la muerte o lesiones graves.
-  **ADVERTENCIA:** Indica una situación potencialmente peligrosa que, de no evitarse, podría causar la muerte o lesiones graves.
-  **PRECAUCIÓN:** Indica una situación potencialmente peligrosa que, si no se evita, puede resultar en lesiones menores o moderadas.
-  **PRECAUCIÓN:** Usado sin el símbolo de alerta de seguridad indica una situación potencialmente peligrosa que, si no se evita, puede resultar en daño a la propiedad.

***La operación o el mantenimiento incorrectos de este producto podrían provocar lesiones graves y daños materiales. Lea y comprenda todas las advertencias e instrucciones de funcionamiento antes de usar este equipo. Al usar herramientas eléctricas, siempre se deben seguir las precauciones básicas de seguridad para reducir el riesgo de lesiones personales.***

### **GUARDE TODAS LAS ADVERTENCIAS E INSTRUCCIONES PARA REFERENCIA FUTURA**

#### 1.1 REGLAS GENERALES DE SEGURIDAD

- Para riesgos múltiples, lea y comprenda las instrucciones de seguridad antes de instalar, operar, reparar, mantener, cambiar accesorios o trabajar cerca de la herramienta. De lo contrario, puede provocar lesiones corporales graves.
- Sólo operadores calificados y capacitados deben instalar, ajustar o usar la herramienta.
- NO la use fuera de la intención de diseño de colocar Tuercas de remaches ciegos de STANLEY Engineered Fastening.
- Use sólo partes, sujetadores y accesorios recomendados por el fabricante.
- NO modifique la herramienta. La modificación puede reducir la efectividad de las medidas de seguridad y aumentar los riesgos para el operador. Cualquier modificación a la herramienta realizada por el cliente será bajo su completa responsabilidad y anulará cualquier garantía aplicable.
- No deseche las instrucciones de seguridad; proporciónelas al operador.
- No use la herramienta si se ha dañado.
- Antes de usar, verifique la desalineación o atascamiento de las partes móviles, la ruptura de partes y cualquier otra condición que afecte la operación de la herramienta. Si está dañada, pida que reparen la herramienta antes de usarla. Retire cualquier llave de ajuste o llave inglesa antes de usar.
- Las herramientas se deberán revisar periódicamente para verificar que las clasificaciones y marcas requeridas por esta parte de ISO 11148 estén marcadas de manera legible en la herramienta. El empleador/usuario deberá ponerse en contacto con el fabricante para obtener etiquetas de marcado de reemplazo cuando sea necesario.
- La herramienta debe mantenerse en condiciones de trabajo seguras en todo momento y se debe revisar en intervalos regulares respecto a daños y funcionamiento por parte de personal capacitado. Cualquier procedimiento de desmantelamiento será realizado sólo por personal capacitado. No desmonte esta herramienta sin referencia previa a las instrucciones de mantenimiento.

#### 1.2 PELIGROS DE PROYECTILES

- Desconecte la herramienta del suministro de aire antes de realizar cualquier mantenimiento, intentar ajustar, adaptar o retirar un ensamble de punta o accesorios.
- Tenga en cuenta que la falla de la pieza de trabajo o accesorios, o incluso de la herramienta insertada en sí, puede generar proyectiles de alta velocidad.
- Siempre use protección ocular resistente a impactos durante el funcionamiento de la herramienta. El grado de protección requerido debe evaluarse para cada uso.

- Los riesgos para otras personas también deben evaluarse en este momento.
- Asegúrese que la pieza de trabajo esté fija de forma segura.
- Verifique que los medios de protección contra la expulsión del sujetador y/o el mandril estén en su lugar y sean operativos.
- NO use la herramienta sin el recolector de mandril instalado.
- Advierta contra la posible expulsión forzada de mandriles desde el frente de la herramienta.
- NO opere una herramienta que esté dirigida hacia ninguna persona(s).

### 1.3 PELIGROS DE OPERACIÓN

- El uso de la herramienta puede exponer las manos del operador a riesgos, incluyendo aplastamiento, impacto, cortes, abrasiones y calor. Use guantes adecuados para protegerse las manos.
- Los operadores y el personal de mantenimiento deberán ser físicamente capaces de manejar el volumen, el peso y la potencia de la herramienta.
- Sostenga la herramienta correctamente; esté preparado para contrarrestar los movimientos normales o repentinos y tenga ambas manos disponibles.
- Mantenga las manijas de la herramienta secas, limpias y libres de aceite y grasa.
- Mantenga una posición equilibrada del cuerpo y una posición segura cuando opere la herramienta.
- Suelte el dispositivo de arranque y paro en caso de una interrupción del suministro de aire.
- Use sólo lubricantes recomendados por el fabricante.
- Debe evitarse el contacto con el fluido hidráulico. Para minimizar la posibilidad de irritación cutánea, se debe tener cuidado de lavar minuciosamente si se produce el contacto.
- Las hojas de datos de seguridad de materiales para todos los aceites y lubricantes hidráulicos están disponibles por solicitud en su proveedor de herramientas.
- Evite posturas inadecuadas ya que es probable que estas posiciones no permitan contrarrestar el movimiento normal o inesperado de la herramienta.
- Si la herramienta se fija a un dispositivo de suspensión, asegúrese que la fijación sea segura.
- Tenga cuidado con el riesgo de aplastamiento o pellizcarse si el equipo de punta no está instalado.
- NO opere la herramienta con la carcasa de la punta retirada.
- Se requiere un espacio libre adecuado para las manos del operador de la herramienta antes de continuar.
- Cuando transporte la herramienta de un lugar a otro, mantenga las manos alejadas del gatillo para evitar la activación accidental.
- NO abuse de la herramienta dejándola caer o utilizándola como martillo.

### 1.4 RIESGOS DE MOVIMIENTOS REPETITIVOS

- Al usar la herramienta, el operador puede experimentar molestias en las manos, brazos, hombros, cuello u otras partes del cuerpo.
- Mientras usa la herramienta, el operador debe adoptar una postura cómoda mientras mantiene una posición segura y evita posturas incómodas o desequilibradas. El operador debe cambiar la postura durante las tareas extendidas; esto puede ayudar a evitar molestias y fatiga.
- Si el operador experimenta síntomas como molestias persistentes o recurrentes, dolor, latidos, dolor, hormigueo, entumecimiento, sensación de ardor o rigidez, estas señales de advertencia no deben ignorarse. El operador debe informar al empleador y consultar a un profesional de la salud calificado.

### 1.5 RIESGOS DE ACCESORIOS

- Desconecte la herramienta del suministro de aire antes de instalar o retirar el ensamble de punta o accesorio.
- Utilice sólo tamaños y tipos de accesorios y consumibles recomendados por el fabricante de la herramienta; no use otros tipos o tamaños de accesorios o consumibles.

### 1.6 RIESGOS DEL LUGAR DE TRABAJO

- Los resbalones, tropiezos y caídas son las principales causas de lesiones en el lugar de trabajo. Tenga en cuenta las superficies resbaladizas causadas por el uso de la herramienta y los riesgos de tropiezos causados por la línea de aire o la manguera hidráulica.
- Continúe con cuidado en ambientes con los que no esté familiarizado. Puede haber riesgos ocultos, como electricidad u otras líneas de servicios públicos.
- La herramienta no está diseñada para usarse en atmósferas potencialmente explosivas y no está aislada contra el contacto con la energía eléctrica.

- Asegúrese que no haya cables eléctricos, tuberías de gas, etc., que puedan causar un peligro si se dañan con el uso de la herramienta.
- Vístase apropiadamente. No use ropa suelta o joyería. Mantenga su cabello, ropa y guantes lejos de las partes móviles. La ropa suelta, joyería o el cabello largo pueden quedar atrapados en las partes móviles.

### 1.7 RIESGOS DE RUIDO

- La exposición a altos niveles de ruido puede causar pérdida auditiva permanente e incapacitante y otros problemas, como tinnitus (ruido de timbre, zumbidos, silbidos o resonación en los oídos). Por lo tanto, la evaluación de riesgos y la implementación de controles apropiados para estos peligros son esenciales.
- Los controles apropiados para reducir el riesgo pueden incluir acciones tales como materiales de amortiguamiento para evitar que las piezas de trabajo "resuenen".
- Use protección auditiva de acuerdo con las instrucciones del empleador y conforme lo requieran las regulaciones de salud y seguridad ocupacional.
- Seleccione, mantenga y reemplace la herramienta consumible/insertada como se recomienda en el manual de instrucciones, para evitar un incremento innecesario de ruido.

### 1.8 RIESGOS DE VIBRACIÓN

- La exposición a la vibración puede causar daños incapacitantes en los nervios y el suministro de sangre de las manos y los brazos.
- Use ropa abrigada cuando trabaje en condiciones frías y mantenga sus manos calientes y secas. Si experimenta entumecimiento, hormigueo, dolor o blanqueamiento de la piel en sus dedos o manos, deje de usar la herramienta, informe a su empleador y consulte a un médico.
- Siempre que sea posible, soporte el peso de la herramienta en un soporte, tensor o equilibrador, ya que se puede utilizar un agarre más ligero para sostener la herramienta.
- Opere y mantenga la herramienta eléctrica de ensamble para sujetadores de tuercas de remache ciego como se recomienda en el manual de instrucciones, para evitar un incremento innecesario en los niveles de vibración.
- Seleccione, mantenga y reemplace la herramienta consumible/insertada como se recomienda en el manual de instrucciones, para evitar un incremento innecesario en los niveles de vibración.
- Sujete la herramienta con un agarre ligero pero seguro, teniendo en cuenta las fuerzas de reacción necesarias de la mano, ya que el riesgo de vibración suele ser mayor cuando la fuerza de agarre es mayor.

### 1.9 INSTRUCCIONES DE SEGURIDAD ADICIONALES PARA HERRAMIENTAS ELECTRONEUMÁTICAS

- El suministro neumático operativo no debe exceder los 7 bar (102 PSI).
- El aire bajo presión puede causar lesiones graves.
- Nunca deje la herramienta de operación desatendida. Desconecte la manguera de aire cuando la herramienta no esté en uso, antes de cambiar los accesorios o al realizar reparaciones.
- Nunca dirija el aire hacia usted o hacia otra persona.
- Las mangueras que se agitan puede causar lesiones graves. Siempre verifique si hay mangueras y accesorios dañados o sueltos.
- Antes de usar, revise las mangueras de aire respecto a daños, todas las conexiones deben estar seguras. No deje caer objetos pesados sobre las mangueras. Un impacto fuerte puede causar daños internos y provocar fallas prematuras en la manguera.
- El aire frío se debe dirigir lejos de las manos.
- Siempre que se utilicen acoplamientos de torsión universales (acoplamientos de garras), se instalarán pasadores de seguridad y se utilizarán cables de seguridad de protección contra latigazos para proteger contra posibles fallas de conexión de manguera a herramienta o de manguera a manguera.
- NO levante la herramienta de colocación por la manguera. Siempre utilice la manija de la herramienta de colocación.
- No se deben bloquear o cubrir los orificios de ventilación.
- Mantenga la suciedad y materia extraña fuera del sistema hidráulico de la herramienta, ya que esto hará que la herramienta no funcione correctamente.

## 2. ESPECIFICACIONES

### 2.1 ESPECIFICACIÓN DE HERRAMIENTA DE COLOCACIÓN

<b>Presión de aire</b>	Mínima - Máxima	5-7 bar (75-100 lbf/pulg <sup>2</sup> )
<b>Volumen de aire libre requerido</b>	@ 5 bar/75 lbf/pulg <sup>2</sup>	8 litros (0.28 pies <sup>3</sup> )
<b>Carrera</b>	Máxima	7 mm (0.276 pulg.)
<b>Velocidad de motor</b>	Giro encendido	2000 rpm
	Giro apagado	2000 rpm
<b>Fuerza de tracción</b>	@ 5 bar/75 lbf/pulg <sup>2</sup>	19.1 kN (4300 lbf)
<b>Tiempo de ciclo</b>	Aproximadamente	2.5 segundos
<b>Peso</b>	Sin equipo de punta	2.2 kg (4.85 lbs)

<b>Valores de ruido determinados de acuerdo con el código de prueba de ruido ISO 15744 e ISO 3744.</b>		<b>74200</b>
Nivel de potencia de sonido ponderado A dB(A), L <sub>WA</sub>	Ruido de incertidumbre: k <sub>WA</sub> = 3.0 dB(A)	74.70 dB(A)
Nivel de presión de sonido de emisión ponderado A en la estación de trabajo dB(A), L <sub>PA</sub>	Ruido de incertidumbre: k <sub>PA</sub> = 3.0 dB(A)	77.08 dB(A)
Nivel de presión de sonido de emisión pico ponderado C dB(C), L <sub>PC'</sub> pico	Ruido de incertidumbre: k <sub>PC</sub> = 3.0 dB(C)	75.54 dB(C)

<b>Valores de vibración determinados de acuerdo con el código de prueba de vibración ISO 20643 e ISO 5349.</b>		<b>74200</b>
Nivel de emisión de vibración, a <sub>hd</sub> :	Vibración de incertidumbre: k = 0.127 m/s <sup>2</sup>	0.317 m/s <sup>2</sup>

Valores de emisión de vibración declarados de acuerdo con EN 12096

### 2.2 DIMENSIONES DE HERRAMIENTA

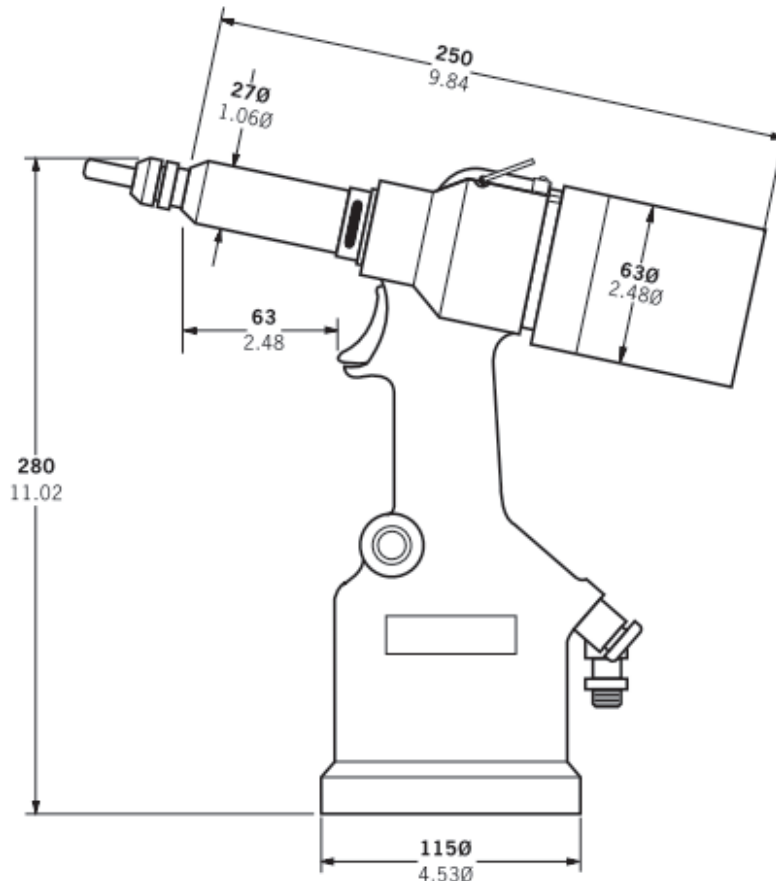


Fig. 1

Las dimensiones mostradas en negritas son en milímetros. Otras dimensiones están en pulgadas.

### 3. INTENCIÓN DE USO

La herramienta hidroneumática 74200 está diseñada para colocar tuercas de remache ciego de Stanley Engineered Fastening a alta velocidad, lo que la hace ideal para el ensamble por lotes o en línea de flujo en una amplia variedad de aplicaciones en todas las industrias.

**Una herramienta completa se compone de la herramienta base (número de parte 74200-12000) y el ensamble de punta apropiado para el inserto, como se describe en la página 60.**

**LOS ENSAMBLES DE PUNTA SE DEBEN COLOCAR COMO SE DESCRIBE EN LA PÁGINA 60.  
NO lo use en condiciones húmedas o en presencia de líquidos o gases inflamables.**

### 4. PUESTA EN SERVICIO

**▲ IMPORTANTE - LEA LAS REGLAS DE SEGURIDAD EN LA PÁGINA 54 - 56 CUIDADOSAMENTE ANTES DE PONER EN SERVICIO.**

Seleccione el tamaño de equipo de punta relevante e instálelo.

Conecte la herramienta de colocación al suministro de aire. Pruebe los ciclos de tracción y retorno presionando y soltando el gatillo 25. Ajuste la herramienta para la carrera/presión deseada.

**▲ PRECAUCIÓN – La presión de suministro correcta es importante para el correcto funcionamiento de la herramienta de instalación. Se pueden producir lesiones personales o daños al equipo sin las presiones correctas. La presión de suministro no debe exceder la indicada en la especificaciones de la herramienta de colocación.**

#### 4.1 SUMINISTRO DE AIRE

Todas las herramientas se operan con aire comprimido en una presión óptima de 5.5 bar. Recomendamos el uso de reguladores de presión y sistemas de aceite/filtrado automáticos en el suministro de aire principal. Deben instalarse a menos de 3 metros de la herramienta (consulte el diagrama a continuación) para garantizar la máxima vida útil y el mínimo mantenimiento de la herramienta.

Las mangueras de suministro de aire tendrían una presión efectiva de operación mínima de 150% de la presión máxima producida en el sistema o 10 bar, la que resulte mayor. Las mangueras de aire deben ser resistentes a aceite, tener un exterior resistente a la abrasión y estar blindadas donde las condiciones de operación puedan resultar en que se dañen las mangueras. Todas las mangueras de aire DEBEN tener un diámetro de orificio mínimo de 6.4 milímetros o 1/4 de pulgada.

Lea los detalles de servicio diario en la página 63.

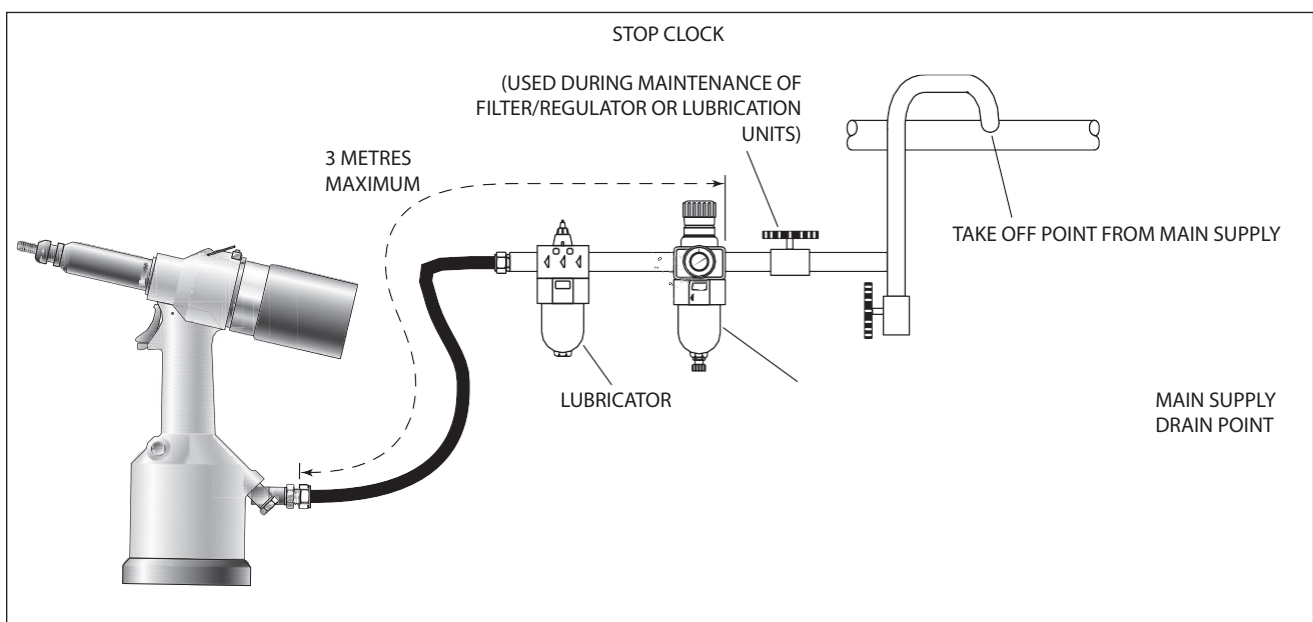


Fig. 2

## 4.2 AJUSTE DE CARRERA

Este ajuste es necesario para garantizar una deformación óptima del inserto. Por lo tanto, se sugiere que se utilice una placa de prueba con el mismo espesor y tamaño de orificio que la pieza de trabajo.

Si la deformación es insuficiente, el inserto girará dentro de la aplicación. Si la deformación es excesiva, se producirá una distorsión de la rosca y posiblemente conducirá la fractura del tornillo.

La carrera se ajusta de acuerdo con la cantidad de rosca de la carcasa trasera **86** hacia adentro o hacia afuera. Para acortar la carrera, atornille hacia adentro; para alargar la carrera, desenrosque la carcasa trasera pero nunca más de 5 vueltas desde la posición completamente "DENTRO" a menos que desmantele la herramienta. Ajuste hasta obtener una deformación óptima. Bloquee el dedo de ajuste de carrera **88** en la carcasa trasera.



Fig. 3

## 4.3 PRINCIPIO DE OPERACIÓN

- Conecte la herramienta al suministro de aire.
- Introduzca el inserto hacia arriba, el labio primero para introducir el tornillo. Una ligera presión arrancará el motor y automáticamente enroscará el inserto contra la punta y se detendrá.
- Inserte el sujetador en la aplicación directamente.
- Oprima el gatillo completamente. Esto colocará el inserto en la aplicación y lo sacará del tornillo de arrastre.

Los números de artículo en **negritas** se refieren al dibujo de Ensamble general y la lista de partes (páginas 68-69).

**⚠ PRECAUCIÓN** - No intente forzar la instalación de un inserto, ya que esto dañará la herramienta y/o la aplicación.



## 5. ENSAMBLES DE PUNTA

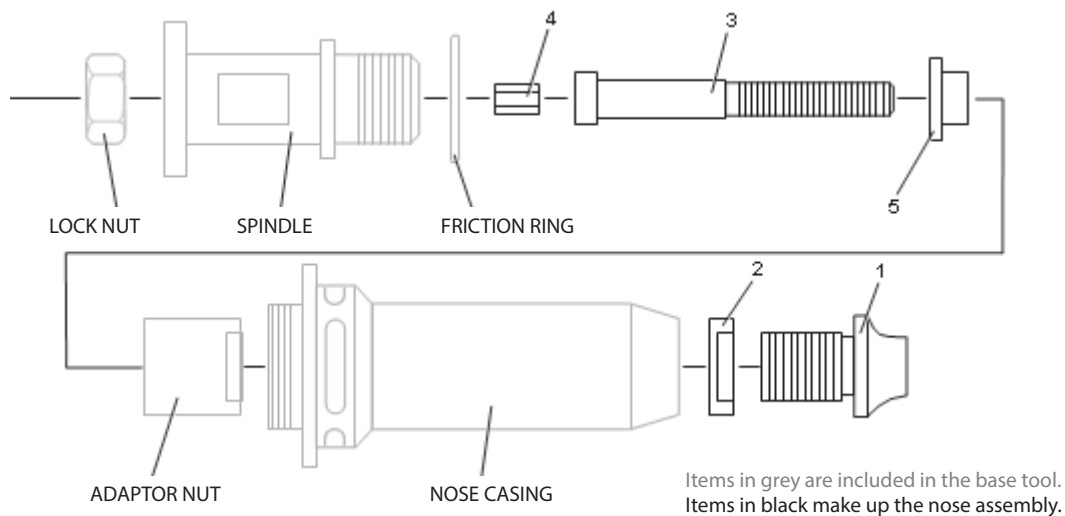
Es esencial que se instale el ensamble de punta correcto antes de operar la herramienta. Al conocer los detalles del sujetador que se colocará, podrá solicitar un nuevo ensamble de punta completo utilizando las tablas de selección en la página 63.

### 5.1 INSTRUCCIONES DE MONTAJE

**⚠ PRECAUCIÓN:** El suministro de aire debe desconectarse al colocar o quitar los ensambles de punta, a menos que se indique específicamente lo contrario.

Los números de artículo en **negritas** se refieren a la siguiente ilustración:

- Si todavía está instalado, retire la carcasa de la punta y la tuerca adaptadora.
- Inserte el eje de impulso **4** en el husillo.
- Coloque el tornillo de impulso **3** en el eje de impulso **4**.
- Inserte la camisa reductora **5** (si se especifica) en la tuerca adaptadora.
- Atornille la tuerca adaptadora en el husillo.
- Sujete el husillo con una llave\* y apriete la tuerca adaptadora en el sentido de las manecillas del reloj.
- Mientras sostiene la tuerca adaptadora con la llave\*, apriete la contratuerca en sentido contrario a las manecillas del reloj.
- Atornille la carcasa de la punta y el pico de la punta **1** con la contratuerca del pico de la punta.
- La operación inversa se realiza para la desinstalación de equipos.
- Con la herramienta aún desconectada del suministro de aire, atornille manualmente un inserto en el tornillo de impulso, asegurándose que el inserto esté al ras con el extremo del tornillo de impulso.
- Coloque el pico de la punta en la posición exacta y bloquee la tuerca del pico de la punta en el sentido de las manecillas del reloj con una llave\*.
- Retire el inserto del tornillo de impulso.



**Fig. 4**

### 5.2 INSTRUCCIONES DE SERVICIO

Se debe dar servicio a los ensambles de punta en intervalos semanales.

- Retire el ensamble de punta completo siguiendo el procedimiento inverso a las "Instrucciones de montaje".
- Se debe reemplazar cualquier parte desgastada o dañada por una nueva.
- Controle especialmente el desgaste del tornillo de impulso.
- Ensamble de acuerdo con las instrucciones de montaje.

Se refiere a los elementos incluidos en el juego de servicio 74200. Para obtener una lista completa, consulte la página 63.

### 5.3 COMPONENTES DEL ENSAMBLE DE PUNTA 74200

Los picos de la punta varían en forma de acurdo al tipo de inserto. Cada ensamble de punta representa un ensamble único de componentes que se pueden ordenar individualmente. Todos los ensambles de punta también incluyen una contratuerca 2 (número de parte 07555-00901).

Los números de los componentes se refieren a la ilustración de la página opuesta. Recomendamos tener algunas existencias, ya que los artículos necesitarán un reemplazo regular. Lea atentamente las instrucciones de servicio de los Ensamblajes de punta que se encuentran en el lado opuesto.



TAMAÑO DE INSERTO	HERRAMIENTA COMPLETA	ENSAMBLE DE PUNTA	1	3	4	5
<b>INSERTOS DE BRIDA GRANDE (9698,FS58,9408,9418,9498)+NUTSERT® ESTÁNDAR(9500)+SQUARESERT®(GK08)+EUROSERT®(GJ08)</b>						
M3	74200-00083	07555-09883	07555-00903	07555-09003	07555-01003	07555-09103
M4	74200-00084	07555-09884	07555-00904	07555-09004	07555-01004	07555-09104
M5	74200-00085	07555-09885	07555-00905	07555-09005	07555-01005	07555-09105
M5..	74200-00485	07555-09185	07555-00915	07555-09005	07555-01005	07555-09105
M6	74200-00086	07555-09886	07555-00906	07555-09006	07555-01006	07555-09106
M8	74200-00088	07555-09888	07555-00908	07555-09008	07555-01008	07555-09108
M10	74200-00080	07555-09880	07555-00910	07555-09010	07555-01010	-
M12	74200-00082	74200-09882 †	07555-00912	07555-09012	07555-01012	-
4 UNC	74200-00054	07555-09854	07555-00854	07555-09054	07555-00754	07555-09154
6 UNC	74200-00056	07555-09856	07555-00856	07555-09056	07555-00756	07555-09156
8 UNC	74200-00058	07555-09858	07555-00858	07555-09058	07555-00758	07555-09158
10 UNC	74200-00050	07555-09850	07555-00850	07555-09050	07555-00750	07555-09150
1/4 UNC	74200-00048	07555-09848	07555-00848	07555-09048	07555-00748	07555-09148
5/16 UNC	74200-00040	07555-09840	07555-00840	07555-09040	07555-00740	07555-09140
3/8 UNC	74200-00042	07555-09842	07555-00842	07555-09042	07555-00742	-
10 UNF	74200-00070	07555-09870	07555-00850	07555-09070	07555-00750	07555-09150
1/4 UNF	74200-00068	07555-09868	07555-00848	07555-09068	07555-00748	07555-09148
5/16 UNF	74200-00060	07555-09860	07555-00840	07555-09060	07555-00740	07555-09140
3/8 UNF	74200-00062	07555-09862	07555-00842	07555-09062	07555-00742	-
3/16 BSW	74200-00016	07555-09816	07555-00850	07555-09016	07555-00750	07555-09150
1/4 BSW	74200-00018	07555-09818	07555-00848	07555-09018	07555-00748	07555-09148
5/16 BSW	74200-00010	07555-09810	07555-00840	07555-09019	07555-00740	07555-09140
<b>THIN SHEET NUTSERT® (9468, FS38, 9658, 9488)</b>						
M3	74200-00183	07555-09983	07555-00993	07555-09003	07555-01003	07555-09103
M4	74200-00184	07555-09984	07555-00994	07555-09004	07555-01004	07555-09104
M5	74200-00185	07555-09985	07555-00995	07555-09005	07555-01005	07555-09105
M6	74200-00186	07555-09986	07555-00996	07555-09006	07555-01006	07555-09106
M8	74200-00188	07555-09988	07555-00998	07555-09008	07555-01008	07555-09108
M10	74200-00180	07555-09980	07555-00999	07555-09010	07555-01010	-
M12	74200-00182	74200-09982 †	07555-00992	07555-09012	07555-01012	-
4 UNC	74200-00154	07555-09954	07555-00954	07555-09054	07555-00754	07555-09154
6 UNC	74200-00156	07555-09956	07555-00956	07555-09056	07555-00756	07555-09156
8 UNC	74200-00158	07555-09958	07555-00958	07555-09058	07555-00758	07555-09158
10 UNC	74200-00150	07555-09950	07555-00950	07555-09050	07555-00750	07555-09150
1/4 UNC	74200-00148	07555-09948	07555-00948	07555-09048	07555-00748	07555-09148
5/16 UNC	74200-00140	07555-09940	07555-00940	07555-09040	07555-00740	07555-09140
10 UNF	74200-00170	07555-09970	07555-00950	07555-09070	07555-00750	07555-09150
1/4 UNF	74200-00168	07555-09968	07555-00948	07555-09068	07555-00748	07555-09148
5/16 UNF	74200-00160	07555-09960	07555-00940	07555-09060	07555-00740	07555-09140
3/16 BSW	74200-00116	07555-09916	07555-00950	07555-09016	07555-00750	07555-09150
1/4 BSW	74200-00118	07555-09918	07555-00948	07555-09018	07555-00748	07555-09148
0BA	74200-00130	07555-09930	07555-00996	07555-09030	07555-01006	07555-09106
2BA	74200-00132	07555-09932	07555-00950	07555-09032	07555-00750	07555-09150
4BA	74200-00134	07555-09934	07555-00934	07555-09034	07555-00756	07555-09134
<b>SUPERSERT® - EXTREMO ABIERTO Y CERRADO (FB)</b>						
M3	74200-00283	07555-09583	07555-07103	07555-09003	07555-01003	07555-09103
M4	74200-00284	07555-09584	07555-07104	07555-09004	07555-01004	07555-09104
M5	74200-00285	07555-09585	07555-07105	07555-09005	07555-01005	07555-09105
M6	74200-00286	07555-09586	07555-07106	07555-09006	07555-01006	07555-09106

TAMAÑO DE INSERTO	HERRAMIENTA COMPLETA	ENSAMBLE DE PUNTA	1	3	4	5
<b>INSERTOS DE BRIDA GRANDE (9698,FS58,9408,9418,9498)+NUTSERT® ESTÁNDAR(9500)+SQUARESERT®(GK08)+EUROSERT®(GJ08)</b>						
M8	74200-00288	07555-09588	07555-07108	07555-09008	07555-01008	07555-09108
8 UNC	74200-00258	07555-09558	07555-07158	07555-09058	07555-00758	07555-09158
10 UNC	74200-00250	07555-09550	07555-07150	07555-09050	07555-00750	07555-09150
1/4 UNC	74200-00248	07555-09548	07555-07148	07555-09048	07555-00748	07555-09148
8 UNF	74200-00278	07555-09578	07555-07158	07555-09078	07555-00758	07555-09158
10 UNF	74200-00270	07555-09570	07555-07150	07555-09070	07555-00750	07555-09150
1/4 UNF	74200-00268	07555-09568	07555-07148	07555-09068	07555-00748	07555-09148
<b>HEXSERT®(9688)</b>						
M3	74200-00683	07555-09283	07555-08103	07555-09003	07555-01003	07555-09103
M4	74200-00684	07555-09284	07555-08104	07555-09004	07555-01004	07555-09104
M5	74200-00685	07555-09285	07555-08105	07555-09005	07555-01005	07555-09105
M6	74200-00686	07555-09286	07555-08106	07555-09006	07555-01006	07555-09106
M8	74200-00688	07555-09288	07555-00998	07555-09008	07555-01008	07555-09108

- Coloca todos los insertos enumerados en esta sección excepto Thin Sheet Nutsert® M5 de brida grande
- Coloca el Thin Sheet Nutsert® M5 de brida grande 09698-00516 ÚNICAMENTE
- † Estos ensambles de punta incluyen una tuerca adaptadora número de parte 74200-12119 para reemplazar la de la herramienta.

## 6. SERVICIO DE HERRAMIENTA

Se debe realizar el servicio regular y realizarse una inspección comprehensiva anualmente o cada 500,000 ciclos, lo que suceda primero.

- ⚠ PRECAUCIÓN:** Nunca utilice solventes u otros productos químicos agresivos para limpiar las partes no metálicas de la herramienta. Estos productos químicos pueden debilitar los materiales utilizados en estas partes.
- ⚠ PRECAUCIÓN:** Antes del mantenimiento, elimine cualquier sustancia peligrosa que pueda haberse acumulado debido a los procesos de trabajo.
- ⚠ PRECAUCIÓN:** El empleador es responsable de garantizar que las instrucciones de mantenimiento de la herramienta se proporcionen al personal apropiado.
- ⚠ PRECAUCIÓN:** El operador no debe participar en el mantenimiento o reparación de la herramienta a menos que esté debidamente capacitado.
- ⚠ PRECAUCIÓN:** La herramienta se deberá examinar periódicamente para detectar daños y averías.
- ⚠ PRECAUCIÓN:** Lea las Instrucciones de seguridad en la página 54 a 56.

### 6.1 SERVICIO DIARIO

- Diariamente, antes del uso o cuando ponga la herramienta en servicio por primera vez, ponga unas cuantas gotas de aceite lubricante limpio en la entrada de aire de la herramienta si no hay un lubricador instalado en el suministro de aire. Si la herramienta está en uso continuo, la manguera de aire se debe desconectar del suministro de aire principal y lubricarse la herramienta cada dos a tres horas.
- Revise respecto a fugas de aire. Si están dañados, las mangueras y acoplamientos se deben reemplazar por elementos nuevos.
- Si no hay filtro en el regulador de presión, purgue la línea de aire para liberarla de suciedad acumulada o agua antes de conectar la manguera de aire a la herramienta.
- Revise que el ensamble de punta sea correcto.
- Verifique que la carrera de la herramienta sea adecuada para colocar el inserto seleccionado. (Vea el ajuste de carrera en la página 59).
- Revise el tornillo de impulso en el ensamble de punta para ver si está desgastado o dañado. En tal caso, renuévelo.

### 6.2 SERVICIO SEMANAL

- \* Compruebe si hay fugas de aceite y de aire en la manguera de suministro de aire y los accesorios.

### 6.3 JUEGO DE SERVICIO

Recomendamos el uso del juego de servicio para todo el servicio (número de parte 74200-99990) suministrado en su propia caja de plástico.

JUEGO DE SERVICIO 74200-99990					
Número de parte	Descripción	CANT.	Número de parte	Descripción	CANT.
07900-00618	VARILLA DE EMPUJE	1	07900-00393	LLAVE DE 14mm/15mm	1
07900-00619	BUJE GUÍA	1	07900-00409	LLAVE DE 12mm/13mm	1
07900-00478	PUNZÓN DE PASADOR Ø 3mm	1	07900-00626	LLAVE DE 11mm	1
07900-00624	PUNZÓN DE PASADOR Ø 4mm	1	07900-00469	LLAVE ALLEN 2.5mm	1
07900-00157	PINZAS DE SUJETADOR CIRCULAR INTERNO	1	07900-00351	LLAVE ALLEN 3mm	1
07900-00161	PINZAS DE SUJETADOR CIRCULAR EXTERNO	1	07900-00224	LLAVE ALLEN 4mm	1
07900-00625	MAZO SUAVE	1	07900-00225	LLAVE ALLEN 5mm	1
07900-00623	25 mm SOCKET	1	07900-00620	LLAVE ALLEN 12mm	1
07900-00006	ESPÁTULA	1	07900-00456	BARRA ENT	1
07900-00434	LLAVE DE 32mm	1	07992-00075	MOLYKOTE 55M (TUBO DE 100 gm)	1
07900-00621	LLAVE DE 28mm	1	07900-00627	CAJA DE PLÁSTICO	1
07900-00637	LLAVE DE 17mm	1	07900-00632	LLAVE DE 17mm/19mm	1
07900-00643	PERILLA DE VARILLA DE EMPUJE	1			

## 6.4 MANTENIMIENTO

Cada 500,000 ciclos la herramienta debe desensamblarse por completo y reemplazar los componentes cuando estén desgastados, dañados o conforme lo recomendado. Todos los anillos 'O' y sellos deben reemplazarse por otros nuevos y lubricarse con grasa Molykote 55M antes de ensamblar.

- ⚠ ADVERTENCIA:** Lea las Instrucciones de seguridad en la página 54 a 56.
- ⚠ ADVERTENCIA:** El empleador es responsable de garantizar que las instrucciones de mantenimiento de la herramienta se proporcionen al personal apropiado.
- ⚠ ADVERTENCIA:** El operador no debe participar en el mantenimiento o reparación de la herramienta a menos que esté debidamente capacitado.
- ⚠ ADVERTENCIA:** La herramienta se deberá examinar periódicamente para detectar daños y averías.

La línea de aire se debe desconectar antes de intentar cualquier servicio o desmantelamiento a menos que se indique específicamente de otra manera.

Se recomienda que cualquier operación de desmantelamiento se realice en condiciones limpias. Antes de proceder con el desmontaje, vacíe el aceite de la herramienta. Retire el tapón de aceite **42**, la arandela del sello de aceite **43**, el tornillo de purga **48** y la arandela de purga **49** del ensamble de la manija y drene el aceite en un recipiente adecuado.

Antes de desmantelar la herramienta, es necesario quitar el equipo de punta. Para obtener instrucciones de desinstalación sencillas, consulte la sección de ensambles de punta, páginas 60-63.

Para un mantenimiento total de la herramienta, le recomendamos que proceda con el desmontaje de los subconjuntos en el orden que se muestra a continuación.

## 6.5 CILINDRO NEUMÁTICO

- Retire la base de hule **2**.
- Coloque la herramienta con la base hacia arriba en un tornillo de banco equipado con mordazas blandas.
- Con una llave\*, desenrosque el tapón de extremo **3**. El pistón neumático **9** debe moverse hacia arriba bajo la presión del resorte **11** (puede ser necesario ejercer presión manual sobre el pistón neumático **9**).
- Retire el anillo 'O' **4**.
- Retire el pistón neumático **9**.
- Retire el sello de labio **8** y el anillo 'O' **36**.
- Sostenga la varilla del pistón **10** en mordazas blandas para evitar rayar el diámetro del vástago.
- Separe la varilla del pistón **10** del pistón neumático **9** desenroscando el perno de fijación de la varilla del pistón **5** con una llave\*.
- Revise el tubo de aire **12** respecto a daños o deformaciones. (El tubo de aire se atornilla internamente en la manija y se ajusta en posición con Loctite® 222) Si es necesario retirar el tubo de aire, la base del tubo de aire deberá calentarse a una temperatura de 100 °C para ablandar el adhesivo Loctite. A continuación, el tubo de aire **12** se puede desenroscar de la manija con una llave Allen\*.
- Verifique que el resorte **11** no esté deformado ni dañado.
- El ensamble se realiza en orden inverso al desmontaje.

## 6.6 GUÍA DE VARILLA

- Con la herramienta en posición invertida en el tornillo de banco, desatornille la guía de varilla **15** con una llave\* y una barra en T\*.
- Retirar la guía de varilla **15**.
- Desatornille la contratuerca **13** con una llave Allen\*, retire el sello **14** y el anillo 'O' **98**.
- Retire el anillo 'O' **16**.
- El ensamble se realiza en orden inverso al desmontaje.

\* Se refiere a los elementos incluidos en el juego de servicio 74200. Para obtener una lista completa, consulte la página 63. Los números de artículo en **negritas** se refieren al dibujo de Ensamble general y la lista de partes (páginas 68-69).

## 6.7 GATILLO

- Con la herramienta sujeta en un tornillo de banco, retire el pasador **26** con un punzón\*.
- Retire el gatillo **25**, el pasador **22**, el rodillo **23** y la cuña de empuje **24**.
- Empuje suavemente la cabeza de la varilla del gatillo **20** y, retire junto con los anillos 'O' **7** y **21**, retire la guía **19**, el sello de labio **18** y el tapón **17**.
- El ensamble se realiza en orden inverso al desmontaje. Asegúrese que el borde del sello de labio **18** esté hacia el cabezal de la herramienta.

## 6.8 ENTRADA DE AIRE GIRATORIA (74200-12700)

- Con una llave Allen\* retire el tornillo **40** y la arandela **39**.
- Retire la entrada giratoria **38**.
- Desatornille el conector doble macho **41** de la entrada giratoria **38** y retire la arandela de nylon **33**.
- Con una llave\*, retire el perno perforado **37**.
- Retire dos arandelas de nylon **33** y el bloque de entrada de aire **35**.
- Retire el sujetador circular **97** del conector doble macho **41** con unas pinas para sujetador circular y retire el filtro sinterizado **96**.
- Ensamble en orden inverso del desmontaje.
- Se refiere a los elementos incluidos en el juego de servicio 74200. Para obtener una lista completa, consulte la página 63.

Los números de artículo en negritas se refieren al dibujo de Ensamble general y la lista de partes (páginas 68-69).

## 6.9 VÁLVULA DIFERENCIAL

- Con una llave plana especial\* desatornille el tapón de bloqueo de la válvula **27**, retire y extraiga el resorte **104** y el anillo 'O' **29**.
- Retire el silenciador **34** con una llave\* y retire la arandela de nylon **33**.
- Extraiga el pistón de la válvula **28** de su alojamiento junto con los anillos 'O' **30**, **31** y **32**.
- Verifique que el resorte **104** no esté deformado y cámbielo si es necesario.
- Ensamble en orden inverso del desmontaje.

## 6.10 ENSAMBLE DE CABEZAL

- Retire el equipo de punta antes de comenzar el desmontaje.
- Con llaves\* retire el husillo **44** y la contratuerca **45**.
- Quite la contratuerca **46** del resorte de retorno con una llave\*.
- Retire el resorte de retorno **47**, la arandela **99** y el anillo de bloqueo **90**.
- Verifique que el resorte de retorno **47** no esté deformado y cámbielo si es necesario.
- Ensamble en orden inverso del desmontaje.

## 6.11 CARCASA TRASERA

- Con una llave Allen\*, retire el tornillo **40** del dedo de ajuste de carrera **88** y levante la arandela de puente **95**.
- Desconecte el dedo de ajuste de carrera **88** empujándolo hacia atrás contra el resorte **89**.
- Desatornille la carcasa trasera **86**.
- Retire la banda de hule de la carcasa trasera **87** si es necesario.
- Extraiga el sujetador circular **84** con las pinzas para sujetador circular\* y retire el silenciador sinterizado **85**.
- Complete el ensamble en orden inverso del desmontaje. Localice el trinquete **102** en el cabezal antes de atornillar la carcasa trasera **86**.

## 6.12 DISTRIBUIDOR



- \* Con una llave Allen\* retire dos tornillos **40**.
- \* Retire el distribuidor **83** junto con el tapón del extremo del motor neumático **81** y los anillos 'O' **82** y **31** teniendo cuidado de no dejar caer la bola **79** y la varilla de empuje **78**.
- \* Con una llave Allen\* retire los cuatro tornillos de casquillo cóncavos **58** y retire el tope de carrera **57**.

\* Se refiere a los elementos incluidos en el juego de servicio 74200. Para obtener una lista completa, consulte la página 63. Los números de artículo en **negritas** se refieren al dibujo de Ensamble general y la lista de partes (páginas 68-69).

- \* Extraiga dos tubos de suministro de aire **59** y cuatro anillos 'O' **60**.
- \* Ensamble en orden inverso del desmontaje.

### 6.13 ENSAMBLE DE PISTÓN HIDRÁULICO Y MOTOR NEUMÁTICO (74200-12610)

- Envuelva con cinta adhesiva la rosca del pistón hidráulico **54** y mueva el ensamble hacia atrás lenta y firmemente. Con unas pinzas para sujetador circular\* retire el sujetador circular **52** y el sello delantero **51**.
- Retire los anillos 'O' **76** y **77**.
- Con dos llaves\* separe el pistón hidráulico **54** de la carcasa del motor neumático **75**. El anillo de ajuste de calza **55**, el pivote de movimiento **56** y el anillo 'O' **101** saldrán con el pistón hidráulico **54**.
- Extraiga el ensamble del motor neumático de la carcasa del motor neumático **75**, retire el sujetador circular **61** con unas pinzas para sujetador circular\* y, a continuación, golpee ligeramente la carcasa del motor neumático **75** en el banco para liberar los componentes.
- Las partes **62** a **74** se pueden extraer como un ensamble, teniendo cuidado de no dejar caer el pasador **74**.
- Retire el cojinete **62**, el husillo del engrane planetario **63**, los tres planetas **64**, el engrane planetario **65** y el espaciador **66**.
- Con un mazo suave, golpee la cabeza estriada del rotor **70**.
- El cojinete **67** y la placa del extremo delantero **68** saldrán con el estator **69** y cinco aspas de rotor **71**. (el rotor **70** permanece en la mano).
- Coloque la placa del extremo trasero **72** en un tornillo de banco con mordazas blandas.
- Usando un punzón\* golpee el centro del rotor **70** para retirar el cojinete **73**. (gire el rotor **70** boca abajo y saldrá el cojinete **73**).
- Al ensamblar el motor neumático, el lado trasero del rotor **70** debe tocar apenas la placa del extremo trasero **72** sin ningún espacio axial (cualquier espacio existente desaparecerá cuando el cojinete **73** esté completamente colocado).
- Cuando inserte el motor neumático en la carcasa **75** del motor neumático, alinee con cuidado las partes de modo que el pasador **74** se ubique en el orificio central entre los puertos de encendido/apagado de la carcasa del motor neumático **75** y la placa del extremo trasero **72**.
- Al ensamblar el pistón hidráulico **54** en el ensamble del motor neumático, apriete las partes con la mano y sople aire en uno de los puertos exteriores de la carcasa del motor neumático **75**, verificando que el motor neumático gire libremente.
- Al ensamblar el sello delantero **51**, asegúrese que el diámetro mayor vea a la parte trasera de la herramienta.
- Complete el ensamble en orden inverso del desmontaje.

-  **PRECAUCIÓN:** Verifique la herramienta con el servicio diario y semanal.
-  **PRECAUCIÓN:** El cebado SIEMPRE es necesario después de haber desmantelado la herramienta y antes de la operación.

\* Se refiere a los elementos incluidos en el juego de servicio 74200. Para obtener una lista completa, consulte la página 63. Los números de artículo en **negritas** se refieren al dibujo de Ensamble general y la lista de partes (páginas 68-69).

### **6.14 DATOS DE SEGURIDAD DE MOLYKOTE 55m**

La grasa se puede pedir como un artículo sencillo, el número de parte se muestra en la página 63 del juego de servicio.

#### **PRIMEROS AUXILIOS**

PIEL: Limpiar y lavar con agua y jabón.

INGESTIÓN: Normalmente no se esperan efectos adversos. Tratar de acuerdo a los síntomas.

OJOS: Irritante pero no dañino. Aplique agua y busque atención médica.

#### **MEDIO AMBIENTE**

Raspe para incinerar o desechar en un sitio aprobado.

#### **FUEGO**

PUNTO DE INFLAMABILIDAD: 101 °C

No clasificado como inflamable.

Medios de extinción adecuados: Espuma de dióxido de carbono, polvo seco o rocío de agua fino.

#### **MANEJO**

Deben usarse guantes de plástico o hule.

#### **ALMACENAMIENTO**

Lejos del calor y agentes oxidantes

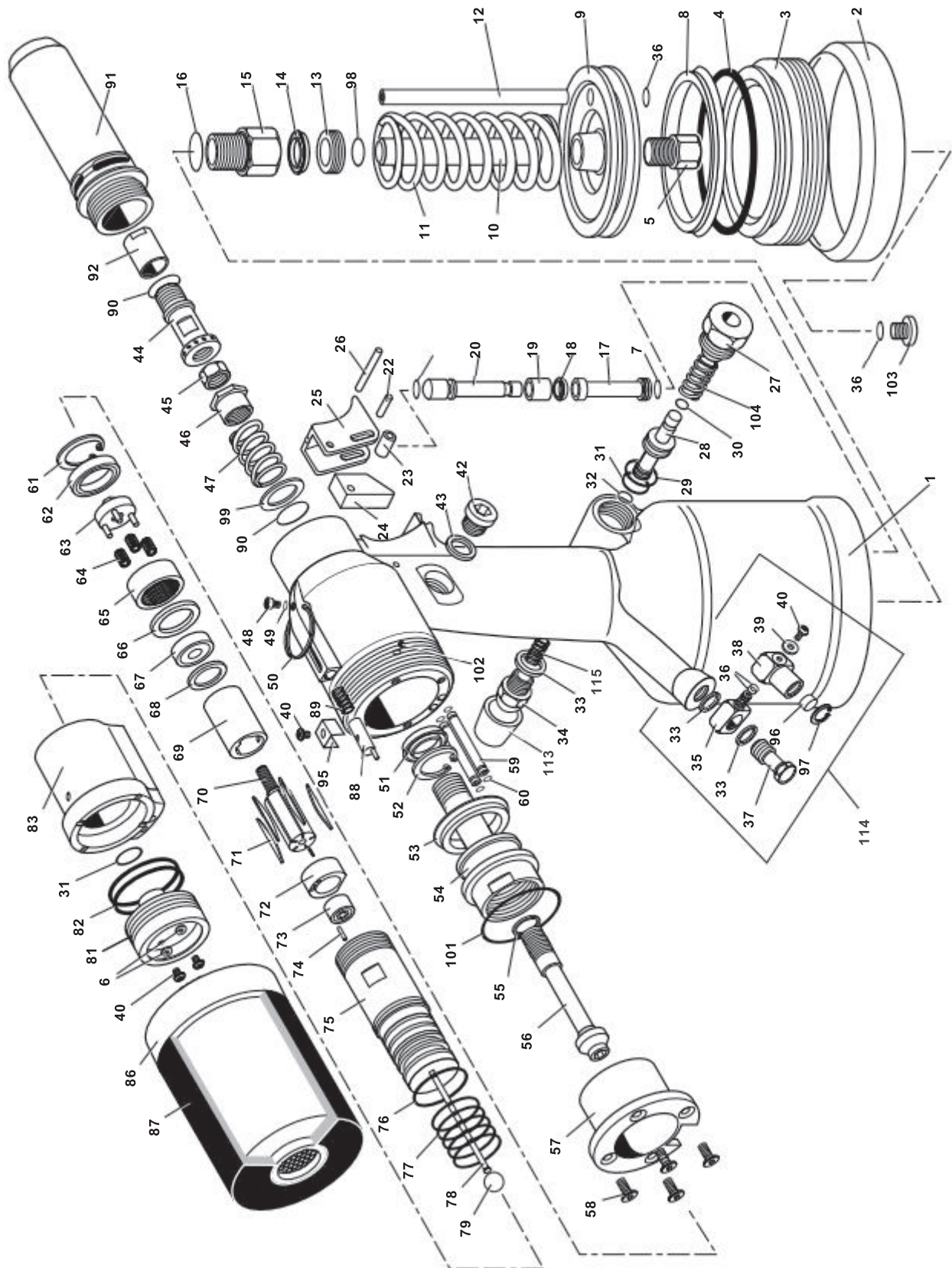
### **6.15 PROTECCIÓN DEL AMBIENTE**

Asegure la conformidad con las regulaciones de eliminación aplicables. Deseche todos los productos de desecho en una instalación o sitio de desechos aprobado para no exponer al personal y al medio ambiente a riesgos.



## 7. ENSAMBLE GENERAL

### 7.1 ENSAMBLE GENERAL DE HERRAMIENTA BASE 74200-12000





7.2 LISTA DE PARTES DE ENSAMBLE GENERAL 74200-12000

Lista de partes para 74200-12000

74200-12000 LISTA DE PARTES														
ELEMENTO	PART NO.	DESCRIPCIÓN	CANT.	REC. REPUUESTOS	ELEMENTO	PART NO.	DESCRIPCIÓN	CANT.	REC. REPUUESTOS	ELEMENTO	PART NO.	DESCRIPCIÓN	CANT.	REC. REPUUESTOS
01	74200-12001	CABEZAL Y MANIJA	1	-	40	07001-00420	TORNILLO DE CASQUILLO DE BOTÓN M4	4	4	79	74200-12079	BOLA (HULE)	1	1
02	74200-12002	BASE DE HULE	1	1						80	73200-02022	ETIQUETA DE SEGURIDAD	1	N/1
03	74200-12003	TAPÓN DE EXTREMO (ATORNILLADO)	1	-	42	07005-01274	TAPÓN DE ACEITE	1	1	81	74200-12081	TAPÓN DE EXTREMO DE MOTOR DE AIRE	1	-
04	74200-12004	ANILLO 'O'	1	1	43	74200-12043	ARANDELA DE SELLO DE ACEITE	1	1	82	74200-12082	ANILLO 'O'	2	2
05	74200-12005	PERNO DE SUJECIÓN DE VARILLA DE PISTÓN	1	-	44	74200-12044	HUSILLO	1	1	83	74200-12083	DISTRIBUIDOR	1	-
06	07002-00109	ARANDELA ANTIVIBRACIÓN M4	2	-	45	07555-00803	TUERCA DE BLOQUEO	1	1					
07	07003-00027	ANILLO 'O'	2	2	46	74200-12046	TUERCA DE BLOQUEO DE RESORTE DE RETORNO	1	1	85	74200-12085	SILENCIADOR SINTERIZADO		
08	74200-12008	SELLO DE LABIO (PISTÓN NEUMÁTICO)	1	1	47	74200-12047	RESORTE DE RETORNO	1	1	86	74200-12800	ENSAMBLE DE CARCASA TRASERA	1	-
09	74200-12009	PISTÓN NEUMÁTICO	1	-	48	07001-00329	TORNILLO DE PURGA M5	1	1	87	74200-12087	BANDA DE HULE DE CARCASA TRASERA	1	1
10	74200-12010	VARILLA DE PISTÓN (INTENSIFICADOR)	1	-	49	07003-00033	ARANDELA DE PURGA DE SELLO DE ACEITE	1	1	88	74200-12088	DEDO DE AJUSTE DE CARRERA	1	1
11	07555-00205	RESORTE	1	1	50	07265-03021	ANILLO DE SUSPENSIÓN	1	1	89	74200-12089	RESORTE	1	1
12	74200-12012	TUBO DE SUMINISTRO DE AIRE	1	1	51	07265-02004	SELLO DELANTERO	1	1	90	07003-00028	ANILLO DE BLOQUEO	2	2
13	74200-12013	TUERCA DE BLOQUEO	1	-	52	07004-00033	SUJETADOR CIRCULAR	1	1	91	74200-12091	CARCASA DE PUNTA	1	-
14	74200-12014	SELLO	1	1	53	74200-12053	SELLO	1	1	92	74200-12092	TUERCA ADAPTADORA (HASTA M10)	1	1
15	74200-12015	GUÍA DE VARILLA	1	-	54	74200-12054	PISTÓN HIDRAULICO	1	-	93	74200-12093	ETIQUETA DE COLOR	1	N/1
16	07003-00100	ANILLO 'O'	1	1	55	74200-12055	ANILLO DE AJUSTE DE CALZA	1	1	94	07900-00354	ERIOQUETA DE SEGURIDAD DE AMARRE	1	N/1
17	74200-12017	TAPÓN	1	-	56	74200-12056	PIVOTE DE MOVIMIENTO	1	1	95	74200-12095	ARANDELA DE PUENTE	1	1
18	74200-12018	SELLO DE LABIO	1	1	57	74200-12057	TOPE DE CARRERA	1	-	96	74200-12096	FILTRO SINTERIZADO	1	1
19	74200-12019	GUÍA	1	-	58	07001-00427	TORNILLO DE CASQUILLO CSK M5	4	4	97	74200-12097	SUJETADOR CIRCULAR	1	1
20	74200-12020	VARILLA DE GATILLO	1	-	59	74200-12059	TUBO DE SUM. DE AIRE DE MOTOR NEUMÁTICO	2	2	98	07003-00134	ANILLO 'O'	1	1
21	07003-00315	07003-00315 ANILLO 'O'	1	1	60	74200-12060	ANILLO 'O'	4	4	99	74200-12099	ARANDELA	1	1
22	74200-12022	NIP	1	1	61	74200-12061	SUJETADOR CIRCULAR	1	1	100	07007-01526	ETIQUETA 'CE' (AVDEL ITALIA)	1	N/1
23	74200-12023	RODILLO	1	1	62	74200-12062	COJINETE	1	-	101	74200-12121	ANILLO 'O'	1	1
24	74200-12024	CUÑA DE EMPUJE	1	-	63	74200-12063	HUSILLO DE ENGRANE PLANETARIO	1	-	102	74200-12122	TRINQUETE (HULE)	1	1
25	74200-12025	GATILLO	1	1	64	07555-09208	PLANETA	3	-	103	74200-12103	TAPÓN	1	1
26	74200-12026	NIP	1	1	65	74200-12065	ENGRANE PLANETARIO	1	-	104	74200-12104	RESORTE	1	N/1
27	74200-12027	TAPÓN DE BLOQUEO DE VALVULA	1	-	66	74200-12066	ESPACIADOR	1	-	105	07900-00614	MANUAL DE HERRAMIENTA	2	N/1
28	74200-12028	PISTÓN DE VÁLVULA	1	-	67	07555-09206	COJINETE	1	-	106	07900-00632	LLAVE DELGADA DE 17/19 MM	1	N/1
29	07003-00086	ANILLO 'O'	1	1	68	07555-09210	PLACA DE EXTREMO DELANTERO	1	-	107	07900-00409	LLAVE DE 12/13 MM	1	N/1
30	07003-00040	ANILLO 'O'	1	1	69	07555-09211	ESTATOR	1	-	108	07900-00224	LLAVE ALLEN DE 4 MM	1	N/1
31	07003-00026	ANILLO 'O'	2	2	70	74200-12070	ROTOR	1	-	109	07900-00225	LLAVE ALLEN DE 5 MM	1	N/1
32	07003-00046	ANILLO 'O'	1	1	71	07555-09213	ASPA DE ROTOR	5	5	110	07900-00624	PUNZON DE 4 MM Ø	1	N/1
33	74200-12033	ARANDELA DE NYLON 1/8"	3	4	72	07555-09214	PLACA DE EXTREMO TRASERO	1	-	111	07900-00637	LLAVE PLANA DE 17MM ESPECIAL	1	N/1
34	74200-12034	SILENCIADOR DE 1/8"	1	1	73	07555-09215	COJINETE	1	-	112	07900-00469	LLAVE ALLEN DE 2.5 MM		
35	74200-12035	BLOQUE DE ENTRADA DE AIRE	1	-	74	07555-09216	NIP	1	1	113	74200-12300	ENSAMBLE DE DEFLECTOR	1	N/1
36	07003-00029	ANILLO 'O'	4	4	75	74200-12075	CARCASA DE MOTOR NEUMÁTICO	1	-	114	74200-12700	ENSAMBLE DE ENTRADA	1	
37	74200-12037	PERNO PERFORADO	1	-	76	07003-00305	ANILLO 'O'	1	1	115	07340-00401	RESORTE	1	
38	74200-12038	ENTRADA GIRATORIA	1	-	77	07003-00306	ANILLO 'O'	5	5					
39	74200-12039	ARANDELA	1	1	78	74200-12078	VARILLA DE EMPUJE 80 mm LARGA	1	1					

## 8. CEBADO

El cebado SIEMPRE es necesario después de haber desmantelado la herramienta y antes de la operación. También puede ser necesario restaurar la carrera completa después del uso considerable, cuando la carrera se pueda reducir y los sujetadores no se coloquen en una operación del gatillo.

### 8.1 DETALLES DE ACEITE

El aceite recomendado para cebado es Hyspin® VG32 disponible en contenedores de 0.5l (número de parte 07992-00002) o un galón (número de parte 07992-00006). Consulte los datos de seguridad a continuación.

### 8.2 DATOS DE SEGURIDAD DE ACEITE HYSPIN®VG 32

#### PRIMEROS AUXILIOS

PIEL:

Lave minuciosamente con agua y jabón tan pronto como sea posible. El contacto casual no requiere ninguna atención inmediata. El contacto a corto plazo no requiere ninguna atención inmediata.

INGESTIÓN:

Busque atención médica de inmediato. NO induzca el vómito.

OJOS:

Enjuague inmediatamente con agua por varios minutos. Aunque NO es un irritante primario, puede ocurrir irritación menor después del contacto.

#### FUEGO

Punto de inflamabilidad 232°C. No clasificado como inflamable.

Medios de extinción adecuados: CO<sub>2</sub>, polvo seco, espuma o neblina de agua. NO use chorros de agua.

#### MEDIO AMBIENTE

DISPOSICIÓN DE DESPERDICIO: A través de un contratista autorizado en un sitio con licencia. Se puede incinerar. El producto usado se puede enviar para reclamo. DERRAMES: Evite el ingreso en drenajes, alcantarillas y cursos de agua. Absorba con material absorbente.





#### MANEJO

Use protección para los ojos, guantes impermeables (por ej., PVC) y un delantal de plástico. Use en un área bien ventilada.

#### ALMACENAMIENTO

No hay precauciones especiales.

### 8.3 PROCEDIMIENTO DE CEBADO

-  **PRECAUCIÓN:** Asegúrese que el aceite esté perfectamente limpio y libre de burbujas de aire.
-  **PRECAUCIÓN:** La herramienta debe permanecer sobre su costado durante toda la secuencia de cebado.
-  **PRECAUCIÓN:** Todas las operaciones se deben realizar en un banco limpio, con las manos limpias en un área limpia.
-  **PRECAUCIÓN:** Se DEBE tener cuidado en todo momento, para garantizar que no entre material extraño a la herramienta, de lo contrario puede resultar en daño serio.

- Coloque la herramienta de costado, con el tapón de aceite **42** hacia arriba.
- Jale el dedo de ajuste de carrera **88** hacia atrás y desenrosque la carcasa trasera **86** un máximo de **5** vueltas desde la posición completamente "DENTRO".
- Con una llave Allen, desatornille el tapón de aceite **42** y retírelo con la arandela de sello de aceite **43**.
- Llene la herramienta con aceite de cebado balanceando suavemente para expulsar el aire.
- Reemplace la arandela del sello de aceite **43** y el tapón de aceite **42** y apriete.
- Ahora debe purgar la herramienta. Esta operación es para asegurar que se eliminen las burbujas de aire del circuito de aceite.
- Asegurándose que el tornillo de purga de aceite **48** esté completamente apretado, desatornille UNA VUELTA únicamente, con una llave Allen. Conecte la herramienta al suministro de aire y presione el gatillo.
- Espere hasta que aparezca aceite alrededor del tornillo de purga de aceite **48** y entonces vuelva a apretar. Limpie el exceso de aceite.

Los números de artículo en **negritas** se refieren a los dibujos de ensamble general y la lista de partes (páginas 68-69).

- Libere el gatillo.
- Con una llave Allen, abra el tapón de aceite **42**.
- Rellene con aceite de cebado para restablecer el nivel. Vuelva a colocar la arandela del sello de aceite **43** y el tapón de aceite **42** y apriete completamente.
- Es necesario instalar el equipo de punta apropiado y ajustar la carrera de la herramienta antes de operar la herramienta.

## 9. DIAGNÓSTICO DE FALLA

SÍNTOMA	CAUSA POSIBLE	REMEDIO	PÁGINA DE REF.
El motor neumático funciona lentamente	Fuga de aire del motor	Verifique si hay sellos gastados. Reemplazar	65
	Baja presión de aire	Incrementar	62
	Bloqueo de vía de aire	Limitación clara en el suministro de aire	
	Tornillo de impulso desgastado	Reemplazar	60
	Atasco de aspas	Lubrique la herramienta a través de la entrada de aire	
El inserto no se deforma adecuadamente	Carrera ajustada incorrectamente	Ajustar	62
	Presión de aire fuera de la tolerancia	Ajustar	62
	Bajo nivel de aceite	Cebe la herramienta	71
	Inserto fuera de agarre	Verifique el rango de agarre del inserto	
El tornillo de impulso gira independiente del motor	Eje de impulso desgastado o dañado	Reemplazar	
	Tornillo de impulso desgastado o dañado	Reemplazar	60
	Tuerca adaptadora suelta	Apretar	60
	Falta el anillo de bloqueo 90	Coloque un nuevo anillo de bloqueo	67
El inserto no se coloca en el tornillo de impulso	Tamaño incorrecto de rosca del inserto	Cambie al inserto correcto	
	Tornillo de impulso incorrecto instalado	Cambie al tornillo de impulso correcto	
	Tornillo de impulso desgastado o dañado	Reemplazar	
	Equipo de punta ensamblado incorrectamente	Desconecte el suministro de aire, vuelva a colocar el equipo de punta con cuidado	60-61
La herramienta está atascada en el inserto colocado	Carrera excesiva/ Inserto defectuoso/ Tornillo de impulso desgastado o defectuoso	NO PRESIONE EL GATILLO. Desbloquee. Coloque el dispositivo de bloqueo de carrera y lleve la carcasa trasera hacia adelante a la posición de carrera cero. Oprima el gatillo. La herramienta debería girar. Restablecer carrera. Si no es así, desconecte el aire de la herramienta. Inserte un pasador de 4mm de Ø a través de las ranuras de la carcasa de la punta en el husillo <b>44</b> . Gire hasta que salga el tornillo de impulso. Inserto. Utilice un inserto Y un tornillo de impulso nuevos.	
El tornillo de impulso se rompe	Carrera de herramienta excesiva	Reestablezca la carrera	
	Carga lateral en el tornillo de impulso	Sostenga la herramienta perpendicular a la aplicación al colocar el inserto	
La herramienta no gira	Tornillo tuerca adaptadora suelta	Apretar	
	Sin suministro de aire	Conectar	62
	Espacio insuficiente entre la contratuerca <b>45</b> y el husillo <b>44</b>	Ajuste un espacio de 1.5mm a un espacio de 2mm	67
	Varilla de empuje <b>78</b> demasiado corta	Reemplazar	68
	Motor neumático atascado	Lubrique la herramienta en la entrada de aire. Si es insuficiente desmonte y limpie el motor neumático a fondo	

SÍNTOMA	CAUSA POSIBLE	REMEDIO	PÁGINA DE REF.
Gatillo inoperante	Fricción estática	Presione el gatillo unas cuantas veces	
	Baja presión de aire	Aumente la presión del aire	
	El pistón de la válvula permanece atascado	Presione el gatillo varias veces. Lubrique la herramienta a través de la entrada de aire. Si no tiene éxito, desmonte, limpie y lubrique los elementos del gatillo	
El tornillo de impulso no regresa y/o sigue girando	El sello de labio <b>18</b> está defectuoso	Reemplazar	67
La herramienta no gira	Tuerca adaptadora <b>92</b> suelta	Apretar	
	Sin suministro de aire	Conectar	
	Carcasa trasera desatornillada por más de 5 vueltas	Ajustar carrera de la herramienta 5 vueltas	
	Anillo 'O' <b>82</b> con fuga de aire	Reemplazar	68
	Distribuidor atascado	Lubricar	
	Motor neumático atascado	Lubrique la herramienta en la entrada de aire. Si es insuficiente, desmonte y limpie el motor neumático a fondo	

Los números de artículo en **negritas** se refieren a los dibujos de ensamblaje general y la lista de partes (páginas 68-69). Se deben informar otros síntomas o fallas a su distribuidor autorizado de Stanley Engineered Fastening o al centro de reparación.

## 10. DECLARACIÓN DE CONFORMIDAD EC

Nosotros, **Stanley Engineered Fastening, Stanley House, Works Road, Letchworth Garden City, Hertfordshire, SG6 1JY UNITED KINGDOM**, declaramos bajo nuestra exclusiva responsabilidad que el producto:

**Descripción:** 74200 Herramienta hidroneumática para tuercas de remache ciego

**Modelo:** 74200

con el que se relaciona esta declaración cumple con las siguientes normas armonizadas:

ISO 12100:2010	EN ISO 3744:2010
EN ISO 11202:2010	EN ISO 11148-1:2011
EN ISO 4413:2010	BS EN 28662-1:1993
EN ISO 4414:2010	EN ISO 20643:2008+A1:2012
EN ISO 28927-5:2009+A1:2015	ES100118-rev 17:2017

La documentación técnica se compila de acuerdo con el Anexo VII, de acuerdo con la siguiente Directiva: **Directiva de Maquinaria (2006/42/EC)**

El abajo firmante hace esta declaración en nombre de STANLEY Engineered Fastening.



**A. K. Seewraj**

**Director de Ingeniería, Reino Unido**

Avdel UK Limited, Stanley House, Works Road, Letchworth Garden City, Hertfordshire, SG6 1JY REINO UNIDO

**Lugar de emisión:** Letchworth Garden City, Reino Unido

**Fecha de emisión:** 01-01-2021

El abajo firmante es responsable de la recopilación del archivo técnico para los productos vendidos en la Unión Europea y realiza esta declaración en nombre de Stanley Engineered Fastening.

**Matthias Appel**

**Documentación Técnica de Líder de Equipo**

Stanley Engineered Fastening, Tucker GmbH, Max-Eyth-Str.1, 35394 Gießen, Alemania



Esta maquinaria cumple con  
Directiva de Maquinaria 2006/42/EC

## 11. DECLARACIÓN DE CONFORMIDAD DEL REINO UNIDO

Nosotros, **Stanley Engineered Fastening, Stanley House, Works Road, Letchworth Garden City, Hertfordshire, SG6 1JY UNITED KINGDOM**, declaramos bajo nuestra exclusiva responsabilidad que el producto:

**Descripción:** 74200 Herramienta hidroneumática para tuercas de remache ciego

**Modelo:** 74200

con el que se relaciona esta declaración cumple con las siguientes normas designadas:

ISO 12100:2010	EN ISO 3744:2010
EN ISO 11202:2010	EN ISO 11148-1:2011
EN ISO 4413:2010	BS EN 28662-1:1993
EN ISO 4414:2010	EN ISO 20643:2008+A1:2012
EN ISO 28927-5:2009+A1:2015	ES100118-rev 17:2017

La documentación técnica se recopila de acuerdo con las **Regulaciones de Suministro de Maquinaria (Seguridad) de 2008**,

S.I. 2008/1597 (conforme se modifique).

El abajo firmante hace esta declaración en nombre de STANLEY Engineered Fastening



**A. K. Seewraj**

**Director de Ingeniería, Reino Unido**

Avdel UK Limited, Stanley House, Works Road, Letchworth Garden City, Hertfordshire, SG6 1JY REINO UNIDO

**Lugar de emisión:** Letchworth Garden City, Reino Unido

**Fecha de emisión:** 01-01-2021



Esta maquinaria cumple con  
Regulaciones de Suministro de Maquinaria (Seguridad) 2008,  
S.I. 2008/1597 (conforme se modifique)

## 12. ¡PROTEJA SU INVERSIÓN!

### **Stanley® Engineered Fastening GARANTÍA DE HERRAMIENTA DE REMACHA CIEGO**

STANLEY® Engineered Fastening garantiza que todas las herramientas eléctricas se han fabricado cuidadosamente y que estarán libres de defectos de material y mano de obra en condiciones normales de uso y servicio por un período de un (1) año.

Esta garantía se aplica al comprador por primera vez de la herramienta sólo para uso original.

#### **Exclusiones:**

##### **Uso y desgaste normal.**

El mantenimiento periódico, la reparación y las partes de repuesto debido al desgaste normal se excluyen de la cobertura.

##### **Abuso y mal uso.**

Los defectos o daños que resultan de una operación, almacenamiento inadecuados, mal uso o abuso, accidente o negligencia, como daños físicos, están excluidos de la cobertura.

##### **Servicio o modificación no autorizados.**

Los defectos o daños resultantes del servicio, ajuste de prueba, instalación, mantenimiento, alteración o modificación de cualquier manera por parte de cualquier persona que no sea STANLEY® Engineered Fastening, o sus centros de servicio autorizados, están excluidos de la cobertura.

Se excluyen todas las demás garantías, ya sean expresas o implícitas, incluidas las garantías de comerciabilidad o idoneidad para un propósito.

Si esta herramienta no cumple con la garantía, devuélvala de inmediato a nuestro centro de servicio autorizado de fábrica más cercano. Para obtener una lista de los Centros de servicio autorizados de STANLEY® Engineered Fastening en los EUA o Canadá, contáctenos en nuestro número de larga distancia gratuito (877) 364 2781.

Fuera de los EUA y Canadá, visite nuestro sitio web **[www.StanleyEngineeredFastening.com](http://www.StanleyEngineeredFastening.com)** para encontrar la ubicación de sujeción de STANLEY Engineered Fastening más cercana.

STANLEY Engineered Fastening entonces reemplazará, sin cargo, cualquier parte o partes que consideremos defectuosas debido a un material o mano de obra defectuosos, y devolverá la herramienta con envío prepago. Esto representa nuestra única obligación bajo esta garantía.

En ningún caso, STANLEY Engineered Fastening será responsable de ningún daño consecuente o especial que surja de la compra o uso de esta herramienta.

#### **Registre su herramienta de remache ciego en línea.**

Para registrar su garantía en línea, visítenos en

<https://www.stanleyengineeredfastening.com/support/warranty-registration-form>

Gracias por elegir una herramienta de la marca Stanley Assembly Technologies de STANLEY® Engineered Fastening.





©2021 Stanley Black & Decker inc. Todos os direitos reservados.

As informações fornecidas aqui não podem ser reproduzidas e/ou publicadas de qualquer forma e através de qualquer meio (eletrônica ou mecanicamente) sem a permissão prévia explícita e por escrito da STANLEY Engineered Fastening. As informações fornecidas baseiam-se em dados conhecidos no momento do lançamento de esse produto. A STANLEY Engineered Fastening segue uma política de melhoria contínua de produtos, por isso seus produtos podem sofrer alterações. As informações fornecidas se aplicam ao produto entregue pela STANLEY Engineered Fastening. Logo, a STANLEY Engineered Fastening não pode ser responsabilizada por qualquer dano resultante de desvios das especificações originais do produto.

As informações disponíveis foram elaboradas com o máximo cuidado. No entanto, a STANLEY Engineered Fastening não aceitará responsabilidade por quaisquer falhas de informação ou suas conseqüências resultantes disso. A STANLEY Engineered Fastening não aceitará qualquer responsabilidade por danos provenientes de atividades realizadas por terceiros. Os nomes de trabalho, nomes comerciais, marcas comerciais registradas etc. utilizadas pela STANLEY Engineered Fastening não devem ser considerados livres nos termos da legislação referentes à proteção das marcas.

<b>1. DEFINIÇÕES DE SEGURANÇA .....</b>	<b>80</b>
1.1 REGRAS GERAIS DE SEGURANÇA .....	80
1.2 PERIGOS DE PROJÉTEIS .....	80
1.3 PERIGOS OPERACIONAIS.....	81
1.4 PERIGOS DE MOVIMENTOS REPETITIVOS.....	81
1.5 PERIGOS DE ACESSÓRIOS .....	81
1.6 PERIGOS NO LOCAL DE TRABALHO.....	81
1.7 PERIGOS DE RUÍDO.....	82
1.8 PERIGOS DE VIBRAÇÃO .....	82
1.9 INSTRUÇÕES ADICIONAIS DE SEGURANÇA PARA FERRAMENTAS ELÉTRICAS PNEUMÁTICAS.....	82
<b>2. ESPECIFICAÇÕES.....</b>	<b>83</b>
2.1 ESPEC. DA FERRAMENTA DE COLOCAÇÃO .....	83
2.2 DIMENSÕES DA FERRAMENTA .....	83
<b>3. USO PRETENDIDO.....</b>	<b>84</b>
4.1 ALIMENTAÇÃO DE AR.....	84
4.2 AJUSTE DO CURSO .....	85
4.3 PRINCÍPIO DA OPERAÇÃO.....	85
<b>5. CONJUNTOS DO NARIZ.....</b>	<b>86</b>
5.1 INSTRUÇÕES PARA AJUSTE.....	86
5.2 INSTRUÇÕES DE SERVIÇO.....	86
5.3 COMPONENTES DO CONJUNTO DO NARIZ 74200 .....	86
<b>6. MANUTENÇÃO DA FERRAMENTA .....</b>	<b>89</b>
6.1 MANUTENÇÃO DIÁRIA .....	89
6.2 MANUTENÇÃO SEMANAL .....	89
6.3 CONJUNTO DE MANUTENÇÃO.....	89
6.4 MANUTENÇÃO .....	90
6.5 CILINDRO PNEUMÁTICO .....	90
6.6 GUIA DA HASTE .....	90
6.7 GATILHO .....	91
6.8 ENTRADA DE AR ARTICULADA (74200-12700).....	91
6.9 VÁLVULA DIFERENCIAL .....	91
6.10 CONJUNTO DA CABEÇA.....	91
6.11 ALOJAMENTO TRASEIRO .....	91
6.12 DISTRIBUIDOR .....	91
6.13 PISTÃO HIDRÁULICO E CONJUNTO DO MOTOR PNEUMÁTICO (74200-12610).....	92
6.14 DADOS DE SEGURANÇA DO MOLYKOTE 55m.....	93
6.15 PROTEÇÃO AO MEIO AMBIENTE .....	93
<b>7. CONJUNTO GERAL .....</b>	<b>94</b>
7.1 CONJUNTO GERAL DA FERRAMENTA DE BASE 74200-12000 .....	94
7.2 LISTA DE PEÇAS DO CONJUNTO GERAL 74200-12000 .....	95
<b>8. ESCORVA.....</b>	<b>96</b>
8.1 DETALHES DO ÓLEO .....	96
8.2 DADOS DE SEGURANÇA DO ÓLEO HYPIN®VG 32 .....	96
8.3 PROCEDIMENTO DE ESCORVA.....	96
<b>9. DIAGNÓSTICO DE AVARIAS.....</b>	<b>97</b>
<b>10. DECLARAÇÃO DE CONFORMIDADE DA CE.....</b>	<b>99</b>
<b>11. DECLARAÇÃO DE CONFORMIDADE DO REINO UNIDO .....</b>	<b>100</b>
<b>12. PROTEJA O SEU INVESTIMENTO!.....</b>	<b>101</b>



Esse manual de instruções deve ser lido por qualquer pessoa que vai instalar ou operar essa ferramenta, e com atenção especial para as seguintes regras de segurança.



Sempre use óculos de proteção resistente a impacto durante a operação da ferramenta. O grau de proteção necessário deve ser avaliado antes de cada uso.



Use proteção auricular de acordo com as instruções do empregador e como exigido por as regulações de saúde e segurança no trabalho.



Uso da ferramenta pode expor as mãos do operador a perigos de esmagamento, impacto, cortes, abrasões e calor. Use luvas apropriadas para proteger suas mãos.

## 1. DEFINIÇÕES DE SEGURANÇA

As definições abaixo descrevem o nível de gravidade de cada palavra de sinalização. Por favor, leia o manual e preste atenção nestes símbolos.

- PERIGO:** Indica uma situação de perigo iminente que, se não for evitada, poderá resultar em morte ou ferimentos graves.
- ATENÇÃO:** Indica uma situação potencialmente perigosa que, se não for evitada, pode resultar em morte ou lesões corporais graves.
- CUIDADO:** Indica uma situação potencialmente perigosa que, se não for evitada, talvez resulte em ferimentos menores ou moderados.
- CUIDADO:** Usado sem o símbolo de alerta de segurança indica uma situação potencialmente perigosa que, se não for evitada, poderá resultar em danos materiais.

***A operação ou manutenção inadequada deste produto pode resultar em ferimentos graves e danos materiais. Leia e entenda todos os avisos e instruções operacionais antes de utilizar este equipamento. Ao utilizar ferramentas elétricas, siga sempre as precauções básicas de segurança para reduzir o risco de lesões corporais.***

### **GUARDE TODOS AS ADVERTÊNCIAS E INSTRUÇÕES PARA CONSULTA FUTURA**

#### 1.1 REGRAS GERAIS DE SEGURANÇA

- Para conhecer seus vários perigos, leia e compreenda as instruções de segurança antes de instalar, operar, reparar, manter, trocar acessórios ou trabalhar próximo da ferramenta. Seu não cumprimento pode resultar em danos corporais graves.
- Somente operadores qualificados e treinados podem instalar, ajustar ou usar a ferramenta.
- Não use o produto fora de sua aplicação prevista no projeto da Máquina de Rebitar Rebites Roscados da STANLEY Engineered Fastening.
- Use apenas peças, parafusos, e acessórios recomendados pelo fabricante.
- NÃO modifique a ferramenta. Modificações podem reduzir a eficiência das medidas de segurança e aumentar os riscos para o operador. Qualquer modificação na ferramenta realizada por o cliente será de sua inteira responsabilidade e invalida quaisquer garantias aplicáveis.
- Não descarte as instruções de segurança, as entregue ao operador.
- Não use a ferramenta se estiver danificada.
- Antes de usar, verifique se há desalinhamentos ou junções de peças móveis, quebra de peças e qualquer outras condições que afetem o funcionamento da ferramenta. Se ela estiver danificada, envie-a à manutenção antes de usá-la. Remova chaves de ajuste ou chaves fixa antes de usá-la.
- Inspeccione as ferramentas periodicamente para verificar se as classificações e marcações obrigatórias para essa peça por ISO 11148 estão visivelmente marcadas na ferramenta. O empregador/usuário deve contatar o fabricante para obter rótulos de marcação de reposição sempre que necessário.
- A ferramenta deve ser sempre mantida em condição operacional segura, e examinada por pessoal treinado em intervalos regulares quanto ao seu funcionamento e à presença de danos. Qualquer procedimento de desmontagem deve ser realizado apenas por pessoal treinado. Não desmonte esta ferramenta sem consultar antes as instruções de manutenção.

#### 1.2 PERIGOS DE PROJÉTEIS

- Desconecte a mangueira de ar da ferramenta antes de executar qualquer manutenção, tentar ajustar, encaixar ou remover o conjunto ou acessórios do nariz.
- Esteja atento que falha na peça de trabalho ou acessórios ou mesmo na ferramenta pode gerar projéteis a alta velocidade.

- Sempre use óculos de proteção resistente a impacto durante a operação da ferramenta. O grau de proteção necessário deve ser avaliado antes de cada uso.
- Avalie ao mesmo tempo os riscos para os outros.
- Certifique-se que a peça de trabalho está bem presa.
- Controle se os meios de proteção contra ejeção dos grampos e/ou mandril está em seu lugar e está operacional.
- NÃO use a ferramenta sem o coletor de mandril instalado.
- Avise contra a possível ejeção forçada de mandris na parte frontal da ferramenta.
- NÃO opere a ferramenta direcionada a outras pessoas.

### 1.3 PERIGOS OPERACIONAIS

- Uso da ferramenta pode expor as mãos do operador a perigos de esmagamento, impacto, cortes, abrasões e calor. Use luvas apropriadas para proteger suas mãos.
- Os operadores e pessoal de manutenção devem ser fisicamente capazes de manejar o volume, peso e potência da ferramenta.
- Segure a ferramenta corretamente; esteja pronto a contrariar movimentos normais ou repentinos, e tenha sempre as duas mãos disponíveis.
- Mantenha cabos de ferramentas secos, limpos e sem óleo e graxa.
- Tenha uma posição do corpo equilibrada e com os pés bem pousados durante a operação da ferramenta.
- Solte o mecanismo de partida-e-parada no caso de interrupção em a alimentação hidráulica.
- Use somente lubrificantes recomendados por o fabricante.
- Deve-se evitar o contato com o fluido hidráulico. Para minimizar a possibilidade de erupções, tome cuidado para lavar o local cuidadosamente se o contato ocorrer.
- As Fichas de Especificações de Segurança do Material para todos os óleos e lubrificantes hidráulicos estão disponíveis em seu fornecedor local da ferramenta a pedido.
- Evite posturas não apropriadas, porque essas posições não permitem contrariar movimentos normais ou repentinos da ferramenta.
- Se a ferramenta está fixa a um mecanismo de suspensão, se certifique que a fixação é segura.
- Tenha cuidado com o risco de esmagamento se o equipamento do nariz não estiver montado.
- NÃO OPERE a ferramenta sem o invólucro do nariz.
- Antes de operar a ferramenta, os seus operadores precisam limpar as mãos adequadamente.
- Ao transportar a ferramenta de um lugar a outro, mantenha as mãos afastadas do gatilho para evitar um acionamento acidental.
- NÃO derrube a ferramenta ou a use como martelo.

### 1.4 PERIGOS DE MOVIMENTOS REPETITIVOS

- Quando estiver usando a ferramenta, o operador pode experimentar algum desconforto em suas mãos, braços, ombros, pescoço ou outras partes do corpo.
- Quando estiver usando a ferramenta, o operador deve adotar uma postura confortável ao mesmo tempo que tem os pés bem colocados e evitar posturas desajeitadas ou sem equilíbrio. O operador deve mudar sua postura durante tarefas longas; isso pode ajudar a evitar desconforto e fadiga.
- Se o operador sente sintomas como desconforto, dor, dor latejante, zumbido, dormência, sensação de queimadura ou rigidez, persistente ou recorrente, não deve ignorar esses sinais de atenção. O operador deve informar o empregador e consultar um profissional de saúde.

### 1.5 PERIGOS DE ACESSÓRIOS

- Desconecte a ferramenta da alimentação de ar antes de montar ou remover o conjunto ou acessório do nariz.
- Use somente tamanhos e tipos de acessórios e consumíveis recomendados por o fabricante da ferramenta; não use outros tipos ou tamanhos de acessórios ou consumíveis.

### 1.6 PERIGOS NO LOCAL DE TRABALHO

- Escorregar, tropeçar e quedas são as causas principais de ferimentos no local de trabalho. Tenha cuidado com superfícies deslizantes causadas por o uso da ferramenta e de perigo de tropeçar causado por as linhas de ar e tubos hidráulicos.
- Em ambientes que não conhece proceda com cuidado. Pode ter perigos escondidos, como linhas de eletricidade e outros serviços.

- A ferramenta não serve para usar em ambientes potencialmente explosivos e não está isolada contra contato com energia elétrica.
- Se certifique que não tem cabos elétricos, tubos de gás, etc. que possam causar um perigo se danificado por a ferramenta.
- Vista-se adequadamente. Não use roupas largas ou jóias. Mantenha cabelos, roupas e luvas longe das peças móveis. Roupas largas, jóias ou cabelos longos podem ficar presos nas peças móveis.

### **1.7 PERIGOS DE RUÍDO**

- Exposição a altos níveis de ruído pode causar perda de audição permanente e outros problemas, como tinnitus (sons ressoantes, zumbidos, assobios ou zunidos nos ouvidos). Por isso, a avaliação de risco e implementação de controles apropriados para esses perigos é essencial.
- Controles apropriados para reduzir esse risco podem incluir ações como materiais silenciadores para prevenir ruído sonante das peças de trabalho.
- Use proteção auricular de acordo com as instruções do empregador e como exigido por as regulações de saúde e segurança no trabalho.
- Selecione, mantenha e substitua a ferramenta consumível/inserida conforme recomendado no manual de instruções para evitar um aumento desnecessário de ruído.

### **1.8 PERIGOS DE VIBRAÇÃO**

- Exposição a vibração pode causar lesões incapacitantes para os nervos e circulação de sangue nas mãos e braços.
- Use roupa quente se estiver trabalhando no exterior no frio e mantenha suas mãos quentes e secas. Se você experimentar dormência, zumbido, dor ou descoloração da pele em os dedos das mãos e mãos, pare de usar a ferramenta, informe seu empregador e consulte um médico.
- Sempre que possível, apóie o peso da ferramenta em um suporte, tensionador ou balanceador, porque assim pode usar um toque mais leve para suportar a ferramenta.
- Opere e mantenha a ferramenta elétrica de montagem para fixação de rebites cegos conforme recomendado no manual de instruções, para impedir qualquer aumento desnecessário nos níveis de vibração.
- Selecione, mantenha e substitua a ferramenta consumível/inserida conforme recomendado no manual de instruções para evitar um aumento desnecessário dos níveis de vibração.
- Segure a ferramenta com um aperto leve e seguro, considerando as forças de reação da mão necessárias, pois o risco de vibração é geralmente maior quando a força ao segurar é maior.

### **1.9 INSTRUÇÕES ADICIONAIS DE SEGURANÇA PARA FERRAMENTAS ELÉTRICAS PNEUMÁTICAS**

- O ar de alimentação operacional não deve exceder 7 bar (102 PSI).
- Ar sob pressão pode causar ferimentos graves.
- Nunca deixe a ferramenta funcionando sozinha. Desconecte a mangueira hidráulica quando a ferramenta não está sendo usada, antes de trocar acessórios ou antes de começar reparações.
- Nunca dirija o ar contra você ou outra pessoa.
- Tubos chicoteando pode causar ferimentos graves. Sempre verifique se os tubos ou fixações têm danos ou estão frouxos.
- Antes do uso, verifique se há danos nas tubulações de ar, todas as conexões precisam estar seguras. Não deixe cair objetos pesados nas mangueiras. Um forte impacto pode causar danos internos e levar a avarias precoces da mangueira.
- Dirija sempre ar frio para longe de suas mãos.
- Sempre que sejam usados acoplamentos de flexão-torção (acoplamento de garra), deve instalar pinos de trava e controle se é necessário usar cabos de segurança para proteger contra possíveis falhas de conexão entre tubo-ferramenta ou tubo-tubo.
- NÃO levante a ferramenta pelas mangueiras. Sempre utilize a empunhadura da ferramenta.
- Orifícios de ventilação não devem estar bloqueados ou cobertos.
- Não deixe que o sistema hidráulico da ferramenta fique sujo ou com outros materiais, pois isso pode causar um funcionamento incorreto.

## 2. ESPECIFICAÇÕES

### 2.1 ESPEC. DA FERRAMENTA DE COLOCAÇÃO

<b>Pressão de Ar</b>	Mínimo - Máximo	5 -7 bar (75 -100 lbf/pol <sup>2</sup> )
<b>Volume de Ar Livre Necessário</b>	a 5 bar/75 lbf/in <sup>2</sup>	8 litros (0,28 pés <sup>3</sup> )
<b>Curso</b>	Máxima	7 mm (0,276 pol)
<b>Velocidade do Motor</b>	Aceleração	2.000 rpm
	Desaceleração	2.000 rpm
<b>Força de Tração</b>	a 5 bar/75 lbf/in <sup>2</sup>	19,1 kN (4300 lbf)
<b>Tempo de Ciclo</b>	Aproximadamente	2,5 segundos
<b>Peso</b>	Sem o nariz	2,2 kg (4,85 lb)

Valores de ruído determinados de acordo com o teste de ruído do código ISO 15744 e ISO 3744.		74200
Nível acústico ponderado A dB(A), L <sub>WA</sub>	Incerteza de ruído: k <sub>WA</sub> = 3,0 dB(A)	74,70 dB(A)
Emissão de som com Nível acústico ponderado A na estação de trabalho dB(A), L <sub>PA</sub>	Incerteza de ruído: k <sub>PA</sub> = 3,0 dB(A)	77,08 dB(A)
Nível de pressão de som com emissão de pico com ponderado C cN(C), L <sub>pC'</sub> pico	Incerteza de ruído: k <sub>pC</sub> = 3,0 dB(C)	75,54 dB(C)
Valores de vibração determinados de acordo com o teste de ruído do código ISO 20643 e ISO 5349.		74200
Nível de emissão de vibração, a <sub>hd</sub> :	Incerteza de vibração: k = 0,127 m/s <sup>2</sup>	0,317 m/s <sup>2</sup>
Valores de emissão de vibração declarados de acordo com EN 12096		

### 2.2 DIMENSÕES DA FERRAMENTA

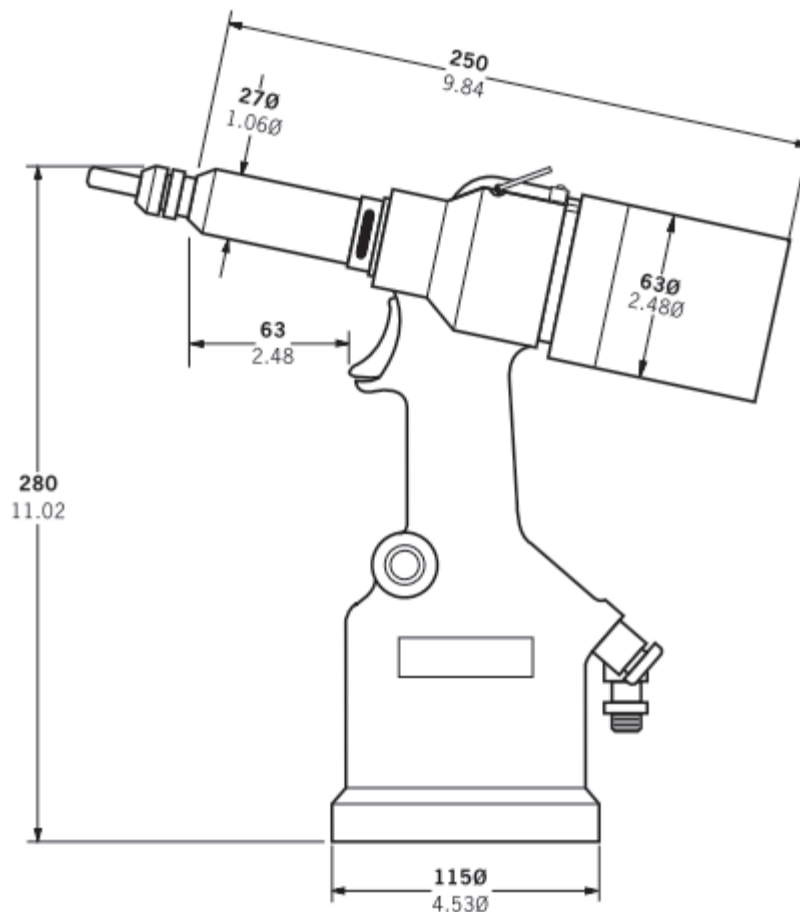


Fig. 1

As dimensões mostradas em negrito estão em milímetros. As outras dimensões estão em polegadas.

### 3. USO PRETENDIDO

A ferramenta 74200 hidropneumática foi projetada para colocar rebites de cegos da Stanley Engineered Fastening em alta velocidade, tornando-a ideal para montagem na linha de fluxo de lote em uma ampla variedade de aplicações em todos os setores.

**Uma máquina completa é composta por a ferramenta de base (número de peça 74200-12000) e o conjunto do nariz apropriado para a inserção 86.**

**OS CONJUNTOS DE NARIZ DEVEM SER ENCAIXADOS CONFORME DESCRITO NA PÁGINA 86. NÃO use na presença de umidade ou de gases e líquidos inflamáveis.**

### 4. COLOCAR EM SERVIÇO

**▲ IMPORTANTE - LEIA AS INSTRUÇÕES NAS PÁGINAS 80 - 82 CUIDADOSAMENTE ANTES DE INICIAR O FUNCIONAMENTO.**

Selecione o nariz com o tamanho correto e instale-o.

Conecte a ferramenta à alimentação de ar. Teste os ciclos de tração e retorno apertando e soltando o gatilho 25. Ajuste a ferramenta para o curso/pressão desejada.

**▲ CUIDADO - a pressão de alimentação correta é importante para um funcionamento apropriado da ferramenta. Lesões corporais ou danos ao equipamento podem ocorrer sem as pressões corretas. A pressão de alimentação não deve ser superior à aquela descrita nas especificações da ferramenta.**

#### 4.1 ALIMENTAÇÃO DE AR

Todas as ferramentas são operadas com ar comprimido a uma pressão ideal de 5,5 bar. Recomendamos o uso de reguladores de pressão e sistemas de filtragem/lubrificação automática na alimentação de ar principal. Eles devem ser encaixados dentro de 3 metros da ferramenta (veja o diagrama abaixo) para garantir um tempo de vida máximo da ferramenta e mínima manutenção.

Mangueiras de alimentação de ar devem um nível mínimo de pressão efetiva operacional de 150% da pressão máxima produzida no sistema ou 10 bar, o que for mais alto. As mangueiras de ar devem ser à prova de óleo, ter um exterior resistente à abrasão, e blindadas, onde as condições operacionais possam danificá-las. Todas as mangueiras de ar PRECISAM ter um diâmetro interno mínimo de 6,4 milímetros ou 1/4 polegadas.

Leia a página de detalhes de manutenção diária 89.

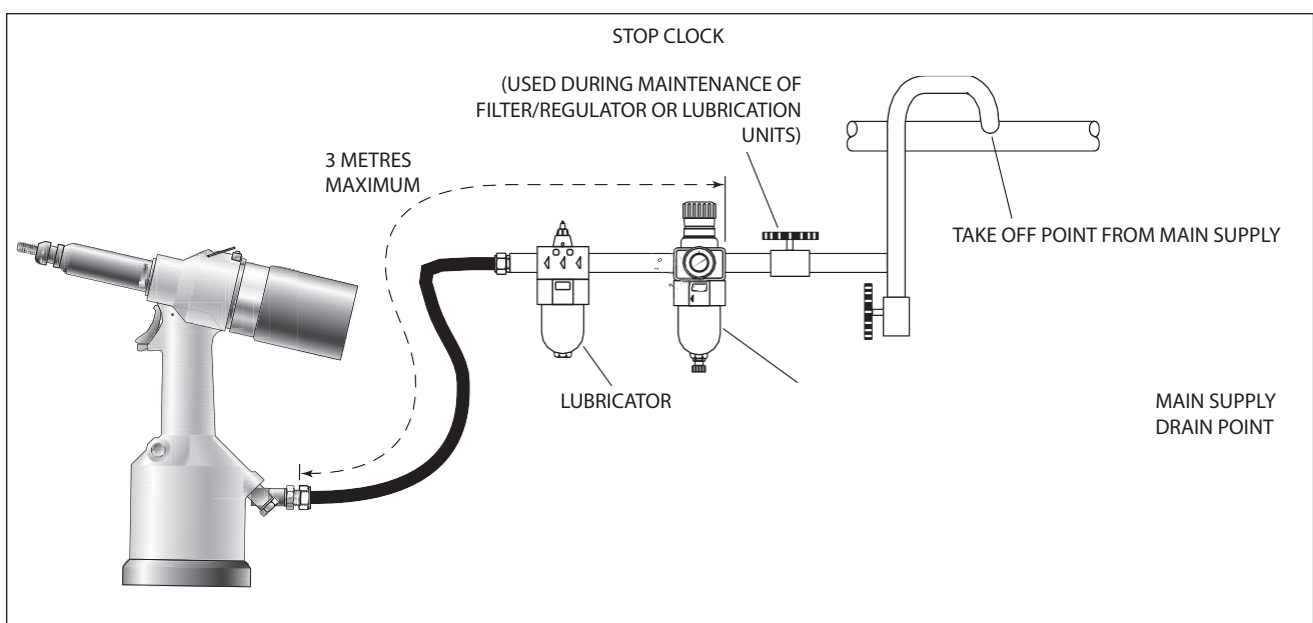


Fig. 2



## 4.2 AJUSTE DO CURSO

Este ajuste é necessário para garantir a deformação ideal do inserto. Portanto, é sugerido que uma placa de teste com a mesma espessura e tamanho de orifício que a peça de trabalho seja usada.

Se a deformação for insuficiente, o inserto girará dentro da aplicação. Se a deformação for excessiva, a distorção da rosca ocorrerá e possivelmente fraturará o parafuso.

O curso é ajustado pela quantidade em que a caixa traseira **86** é aparafusada ou desparafusada. Para reduzir o curso, aparafuse. Para ampliar o curso, desparafuse a caixa traseira, mas nunca mais de 5 voltas da posição totalmente "INSERIDA", a menos que desmonte a ferramenta. Ajuste até que a deformação ideal seja obtida. Trave o ponto de ajuste de curso **88** na caixa traseira.

## 4.3 PRINCÍPIO DA OPERAÇÃO

- Conecte a ferramenta à alimentação de ar.
- Insira o inserto, com os lábios primeiros no parafuso. Uma leve pressão iniciará o motor e fixará automaticamente o inserto até o nariz.
- Insira o fixador na aplicação de forma adequada.
- Pressione totalmente o gatilho. Isso colocará o inserto e a aplicação e removerá do parafuso.

Os números dos itens em **negrito** referem-se à lista de peças e ao desenho do conjunto geral (páginas 94-95).

**⚠ CUIDADO** - não tente forçar a instalação de uma inserção, pois isto causará danos à ferramenta e/ou aplicação.



**Fig. 3**

## 5. CONJUNTOS DO NARIZ

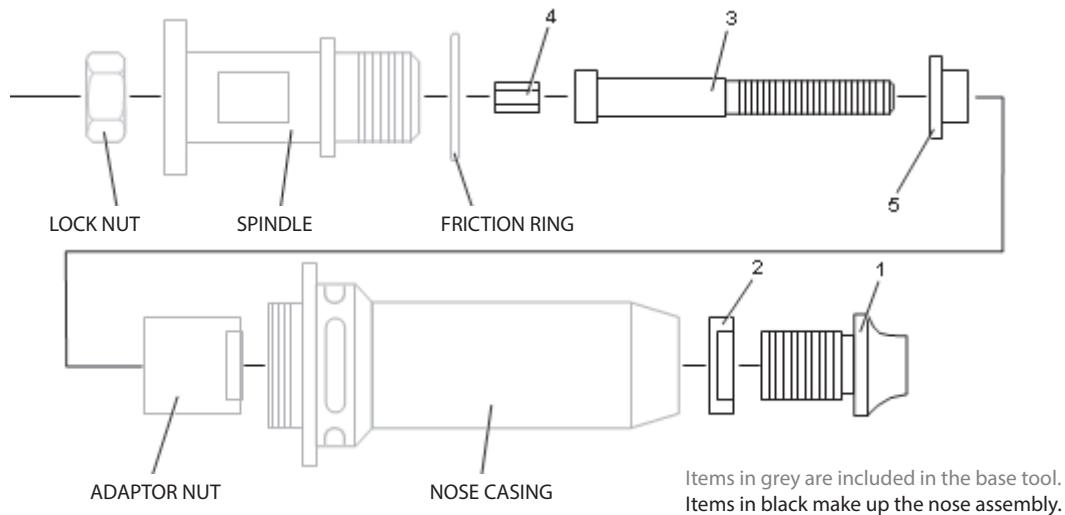
É fundamental que o conjunto do nariz correto seja ajustado antes de operar a ferramenta. Sabendo dos detalhes do fixador a ser inserido, você poderá solicitar um conjunto de nariz novo completo usando as tabelas de seleção na página 89.

### 5.1 INSTRUÇÕES PARA AJUSTE

**▲ CUIDADO:** O suprimento de ar deve ser desconectado quando ajustar ou remover conjuntos de nariz, a menos que especificado em contrário.

Os números do item em **negrito** referem-se à ilustração abaixo:

- Se ainda estiver conectada remova o invólucro do nariz e porca adaptadora.
- Insira o eixo de acionamento **4** no fuso.
- Encaixe o parafuso **3** no eixo **4**.
- Insira a manga de redução **5** (se especificada) na porta adaptadora.
- Aparafuse a porca adaptadora no eixo.
- Segure o eixo com uma chave inglesa\* e aperte a porca adaptadora no sentido horário.
- Enquanto segura a porca adaptadora com a chave inglesa\*, aperte a contraporca no sentido anti-horário.
- Aparafuse no invólucro do nariz e a ponta do nariz **1** com a contraporca da ponta do nariz.
- Deve-se executar a operação inversa para desmontagem do equipamento.
- Com a ferramenta ainda desconectada da alimentação de ar, aparafuse um inserto no parafuso manualmente - garantindo que o inserto esteja inserido com a extremidade do parafuso.
- Ajuste a ponta do nariz na posição exata e trave a porca da ponta do nariz no sentido horário com uma chave inglesa\*.
- Remova o inserto do parafuso.



**Fig. 4**

### 5.2 INSTRUÇÕES DE SERVIÇO

Os conjuntos do nariz devem passar por manutenção em intervalos semanais.

- Remova conjunto do nariz completamente, realizando o procedimento inverso descrito nas "Instruções de Montagem".
- Toda parte desgastada ou danificada precisa ser substituída por uma nova.
- Verifique principalmente se há desgastes no parafuso.
- Monte de acordo com as Instruções de Montagem.

Consulte os itens incluídos no conjunto de serviço 74200. Para obter uma lista completa, confira a página 89.

### 5.3 COMPONENTES DO CONJUNTO DO NARIZ 74200

As pontas do nariz variam em forma de acordo com o tipo de inserto. Cada conjunto do nariz representa um conjunto único de componentes que podem ser solicitados individualmente. Todos os conjuntos de nariz também incluem uma contraporca da ponta do nariz 2 (número de peça 07555-00901).

Os números do componente referem-se à ilustração na página oposta. Recomendamos armazenar, pois alguns itens precisam de troca regular. Leia as instruções de manutenção dos Conjuntos do nariz com cuidado.

TAMANHO DO INSERTO	FERRAMENTA COMPLETA	CONJUNTO DO NARIZ	1	3	4	5
<b>INSERTOS DE FLANGE GRANDE (9698,FS58,9408,9418,9498)+NUTSERT® PADRÃO(9500)+SQUARESERT®(GK08)+EUROSERT®(GJ08)</b>						
M3	74200-00083	07555-09883	07555-00903	07555-09003	07555-01003	07555-09103
M4	74200-00084	07555-09884	07555-00904	07555-09004	07555-01004	07555-09104
M5	74200-00085	07555-09885	07555-00905	07555-09005	07555-01005	07555-09105
M5..	74200-00485	07555-09185	07555-00915	07555-09005	07555-01005	07555-09105
M6	74200-00086	07555-09886	07555-00906	07555-09006	07555-01006	07555-09106
M8	74200-00088	07555-09888	07555-00908	07555-09008	07555-01008	07555-09108
M10	74200-00080	07555-09880	07555-00910	07555-09010	07555-01010	-
M12	74200-00082	74200-09882 †	07555-00912	07555-09012	07555-01012	-
4 UNC	74200-00054	07555-09854	07555-00854	07555-09054	07555-00754	07555-09154
6 UNC	74200-00056	07555-09856	07555-00856	07555-09056	07555-00756	07555-09156
8 UNC	74200-00058	07555-09858	07555-00858	07555-09058	07555-00758	07555-09158
10 UNC	74200-00050	07555-09850	07555-00850	07555-09050	07555-00750	07555-09150
1/4 UNC	74200-00048	07555-09848	07555-00848	07555-09048	07555-00748	07555-09148
5/16 UNC	74200-00040	07555-09840	07555-00840	07555-09040	07555-00740	07555-09140
3/8 UNC	74200-00042	07555-09842	07555-00842	07555-09042	07555-00742	-
10 UNF	74200-00070	07555-09870	07555-00850	07555-09070	07555-00750	07555-09150
1/4 UNF	74200-00068	07555-09868	07555-00848	07555-09068	07555-00748	07555-09148
5/16 UNF	74200-00060	07555-09860	07555-00840	07555-09060	07555-00740	07555-09140
3/8 UNF	74200-00062	07555-09862	07555-00842	07555-09062	07555-00742	-
3/16 BSW	74200-00016	07555-09816	07555-00850	07555-09016	07555-00750	07555-09150
1/4 BSW	74200-00018	07555-09818	07555-00848	07555-09018	07555-00748	07555-09148
5/16 BSW	74200-00010	07555-09810	07555-00840	07555-09019	07555-00740	07555-09140
<b>FOLHA FINA NUTSERT® (9468, FS38, 9658, 9488)</b>						
M3	74200-00183	07555-09983	07555-00993	07555-09003	07555-01003	07555-09103
M4	74200-00184	07555-09984	07555-00994	07555-09004	07555-01004	07555-09104
M5	74200-00185	07555-09985	07555-00995	07555-09005	07555-01005	07555-09105
M6	74200-00186	07555-09986	07555-00996	07555-09006	07555-01006	07555-09106
M8	74200-00188	07555-09988	07555-00998	07555-09008	07555-01008	07555-09108
M10	74200-00180	07555-09980	07555-00999	07555-09010	07555-01010	-
M12	74200-00182	74200-09982 †	07555-00992	07555-09012	07555-01012	-
4 UNC	74200-00154	07555-09954	07555-00954	07555-09054	07555-00754	07555-09154
6 UNC	74200-00156	07555-09956	07555-00956	07555-09056	07555-00756	07555-09156
8 UNC	74200-00158	07555-09958	07555-00958	07555-09058	07555-00758	07555-09158
10 UNC	74200-00150	07555-09950	07555-00950	07555-09050	07555-00750	07555-09150
1/4 UNC	74200-00148	07555-09948	07555-00948	07555-09048	07555-00748	07555-09148
5/16 UNC	74200-00140	07555-09940	07555-00940	07555-09040	07555-00740	07555-09140
10 UNF	74200-00170	07555-09970	07555-00950	07555-09070	07555-00750	07555-09150
1/4 UNF	74200-00168	07555-09968	07555-00948	07555-09068	07555-00748	07555-09148
5/16 UNF	74200-00160	07555-09960	07555-00940	07555-09060	07555-00740	07555-09140
3/16 BSW	74200-00116	07555-09916	07555-00950	07555-09016	07555-00750	07555-09150
1/4 BSW	74200-00118	07555-09918	07555-00948	07555-09018	07555-00748	07555-09148
0BA	74200-00130	07555-09930	07555-00996	07555-09030	07555-01006	07555-09106
2BA	74200-00132	07555-09932	07555-00950	07555-09032	07555-00750	07555-09150
4BA	74200-00134	07555-09934	07555-00934	07555-09034	07555-00756	07555-09134
<b>SUPERSERT® - EXTREMIDADE ABERTA E FECHADA (FB)</b>						
M3	74200-00283	07555-09583	07555-07103	07555-09003	07555-01003	07555-09103
M4	74200-00284	07555-09584	07555-07104	07555-09004	07555-01004	07555-09104
M5	74200-00285	07555-09585	07555-07105	07555-09005	07555-01005	07555-09105
M6	74200-00286	07555-09586	07555-07106	07555-09006	07555-01006	07555-09106

TAMANHO DO INSERTO	FERRAMENTA COMPLETA	CONJUNTO DO NARIZ	1	3	4	5
<b>INSERTOS DE FLANGE GRANDE (9698,FS58,9408,9418,9498)+NUTSERT® PADRÃO(9500)+SQUARESERT®(GK08)+EUROSERT®(GJ08)</b>						
M8	74200-00288	07555-09588	07555-07108	07555-09008	07555-01008	07555-09108
8 UNC	74200-00258	07555-09558	07555-07158	07555-09058	07555-00758	07555-09158
10 UNC	74200-00250	07555-09550	07555-07150	07555-09050	07555-00750	07555-09150
1/4 UNC	74200-00248	07555-09548	07555-07148	07555-09048	07555-00748	07555-09148
8 UNF	74200-00278	07555-09578	07555-07158	07555-09078	07555-00758	07555-09158
10 UNF	74200-00270	07555-09570	07555-07150	07555-09070	07555-00750	07555-09150
1/4 UNF	74200-00268	07555-09568	07555-07148	07555-09068	07555-00748	07555-09148
<b>HEXSERT®(9688)</b>						
M3	74200-00683	07555-09283	07555-08103	07555-09003	07555-01003	07555-09103
M4	74200-00684	07555-09284	07555-08104	07555-09004	07555-01004	07555-09104
M5	74200-00685	07555-09285	07555-08105	07555-09005	07555-01005	07555-09105
M6	74200-00686	07555-09286	07555-08106	07555-09006	07555-01006	07555-09106
M8	74200-00688	07555-09288	07555-00998	07555-09008	07555-01008	07555-09108

- Coloque todos os insertos listados nesta seção, exceto a folha fina de flange grande M5 Nutsert®
- Coloque APENAS a folha fina de flange grande M5 Nutsert® 09698-00516
- † Esses conjuntos de nariz incluem uma porca adaptadora número de peça 74200-12119 para substituir aquela na ferramenta.

## 6. MANUTENÇÃO DA FERRAMENTA

Manutenções regulares devem ser executadas e uma inspeção abrangente precisa ser realizada anualmente ou a cada 500.000 ciclos, ou o que ocorrer primeiramente.

- ⚠ CUIDADO:** Nunca use solventes ou outros produtos químicos para a limpeza das partes não metálicas da ferramenta. Esses produtos químicos podem enfraquecer os materiais utilizados nestas partes.
- ⚠ CUIDADO:** Antes da manutenção, remova qualquer substância perigosa que possa ter acumulado devido aos processos de trabalho.
- ⚠ CUIDADO:** O empregador é responsável por certificar que as instruções de manutenção da ferramenta são entregues ao pessoal apropriado.
- ⚠ CUIDADO:** O operador não deve estar envolvido em a manutenção ou reparação da ferramenta, exceto se tem o treinamento adequado.
- ⚠ CUIDADO:** A ferramenta deve ser examinada regularmente por danos e mau funcionamento.
- ⚠ CUIDADO:** Leia as instruções de segurança nas páginas 80 a 82.

### 6.1 MANUTENÇÃO DIÁRIA

- Diariamente, antes do uso ou na primeira colocação em serviço da ferramenta, coloque algumas gotas de óleo lubrificante leve e limpo na entrada de ar da ferramenta, se não houver nenhum lubrificador montado na alimentação de ar. Se a ferramenta estiver em uso contínuo, a mangueira de ar deve ser desligada da fonte de alimentação de ar e a ferramenta lubrificada a cada duas até três horas.
- Verifique se tem vazamentos de ar. Mangueiras e acoplamentos precisam ser substituídos por novos se estiverem danificados.
- Se não houver um filtro no regulador de pressão, purgue o tubo de ar para limpá-lo de água e sujeira acumuladas antes de conectar a mangueira de ar na ferramenta.
- Confira que o conjunto do nariz está correto.
- Verifique se o curso da ferramenta está adequado para colocar o inserto selecionado. (Confira a página de ajuste do curso 85).
- Inspeccione o parafuso no conjunto do nariz em relação a danos ou desgaste. Se houver, renove.

### 6.2 MANUTENÇÃO SEMANAL

- \* Verifique se há vazamentos de óleo e ar na mangueira e de alimentação de ar e encaixes.

### 6.3 CONJUNTO DE MANUTENÇÃO

Para todas as manutenções, recomendamos o uso do kit de serviço (número de peça 74200-99990) fornecido com sua própria caixa plástica.

KIT DE MANUTENÇÃO 74200-99990					
Número de Peça	Descrição	QTD	Número de Peça	Descrição	QTD
07900-00618	EMPURRADOR	1	07900-00393	CHAVE DE PORCA 14mm/15mm	1
07900-00619	BUCHA GUIA	1	07900-00409	CHAVE DE PORCA 12mm/13mm	1
07900-00478	PUNÇÃO EXTRATOR Ø 3mm	1	07900-00626	CHAVE 11mm	1
07900-00624	PUNÇÃO EXTRATOR Ø 4mm	1	07900-00469	CHAVE ALLEN 2,5mm	1
07900-00157	ALICATES GRAMPO INTERNOS	1	07900-00351	CHAVE ALLEN 3mm	1
07900-00161	APLICATES GRAMPO EXTERNOS	1	07900-00224	CHAVE ALLEN 4mm	1
07900-00625	MARTELO MACIO	1	07900-00225	CHAVE ALLEN 5mm	1
07900-00623	25 mm SOCKET	1	07900-00620	CHAVE ALLEN 12mm	1
07900-00006	ESPÁTULA	1	07900-00456	BARRA T	1
07900-00434	CHAVE 32mm	1	07992-00075	MOLYKOTE 55M (TUBO DE 100 gm)	1
07900-00621	CHAVE 28mm	1	07900-00627	CAIXA PLÁSTICA	1
07900-00637	CHAVE 17mm	1	07900-00632	CHAVE DE PORCA 17mm/19mm	1
07900-00643	BOTÃO DE PRESSÃO	1			

## 6.4 MANUTENÇÃO

A cada 500 mil ciclos, a ferramenta deve ser totalmente desmontada e os componentes substituídos se estiverem desgastados, danificados ou quando recomendado. Todos os anéis O e os selos devem ser substituídos por novos e lubrificados com graxa Molykote 55M antes de montar.

- ⚠️ ADVERTÊNCIA:** Leia as instruções de segurança nas páginas 80 a 82.
- ⚠️ ADVERTÊNCIA:** O empregador é responsável por certificar que as instruções de manutenção da ferramenta são entregues ao pessoal apropriado.
- ⚠️ ADVERTÊNCIA:** O operador não deve estar envolvido em a manutenção ou reparação da ferramenta, exceto se tem o treinamento adequado.
- ⚠️ ADVERTÊNCIA:** A ferramenta deve ser examinada regularmente por danos e mau funcionamento.

As linhas suspensas devem ser desconectadas antes de qualquer manutenção ou desmontagem a menos instruído em contrário.

Recomendamos que qualquer operação de desmontagem seja realizada em condições limpas.

Antes de continuar com a desmontagem, esvazie o óleo da ferramenta. Remova o bujão do óleo **42**, a arruela de vedação do óleo **43**, o parafuso de sangria **48** e a arruela do parafuso de sangria **49** do conjunto da alça e drene o óleo em um recipiente adequado.

Antes de desmontar a ferramenta, você precisará remover o conjunto do nariz. Para obter instruções de remoção simples, confira a seção dos conjuntos do nariz nas páginas 86-89.

Para a manutenção total da ferramenta, aconselhamos proceder a desmontagem dos subconjuntos na ordem mostrada abaixo.

## 6.5 CILINDRO PNEUMÁTICO

- Remova a base de borracha **2**.
- Coloque a ferramenta, base superior no torno encaixado com garras macias.
- Usando uma chave inglesa\*, desparafuse o plugue da extremidade **3**. O pistão pneumático **9** deve ser movido para cima sob pressão da mola **11** (poderá ser necessário exercer pressão manual no pistão pneumático **9**).
- Remova o anel O **4**.
- Remova o pistão pneumático **9**.
- Remova o anel de vedação **8** e o anel O **36**.
- Segure a haste do pistão **10** nas garras do torno macio para evitar arranhar o diâmetro da haste.
- Separe a haste do pistão **10** do pistão pneumático **9** desparafusando o parafuso de fixação da haste do pistão **5** usando uma chave de fenda\*.
- Inspeção o tubo de ar **12** por danos ou distorção. (O tubo de ar é aparafusado internamente na alça e ajustado na posição com Loctite® 222) Se for necessário remover o tubo e ar, a base do tubo de ar exigirá um aquecimento a uma temperatura ambiente de 100 °C para amolecer o adesivo Loctite. O tubo de ar **12** pode ser desparafusado da alça usando uma chave Allen\*.
- Verifique se a mola **11** não está distorcida ou danificada.
- Monte na ordem inversa da desmontagem.

## 6.6 GUIA DA HASTE

- Com a ferramenta na posição virada para cima no torno, desparafuse o guia da haste **15** usando uma chave inglesa\* e barra T\*.
- Remova o guia da haste **15**.
- Desparafuse a contraporca **13** usando uma chave Allen\*, remova a vedação **14** e o anel O **98**.
- Remova o anel O **16**.
- Monte na ordem inversa da desmontagem.

\* Consulte os itens incluídos no conjunto de serviço 74200. Para obter uma lista completa, confira a página 89. Os números dos itens em **negrito** referem-se à lista de peças e ao desenho do conjunto geral (páginas 94-95).

## 6.7 GATILHO

- Com a ferramenta no torno, remova o pino **26** usando uma punção\*.
- Remova o gatilho **25**, o pino **22**, o rolo **23** e a cunha de pressão **24**.
- Empurre levemente a cabeça da haste do gatilho **20** e remova junto com os anéis O **7** e **21**, a guia **19**, o anel de vedação **18** e o plugue **17**.
- Monte na ordem inversa da desmontagem. Garanta que o anel de vedação **18** esteja virado para a cabeça da ferramenta.

## 6.8 ENTRADA DE AR ARTICULADA (74200-12700)

- Usando uma chave Allen\*, remova o parafuso **40** e a arruela **39**.
- Remova a entrada articulada **38**.
- Desparafuse o conector macho duplo **41** da entrada articulada **38** e remova a arruela de nylon **33**.
- Usando uma chave inglesa\*, remova o parafuso perfurado **37**.
- Remova as duas arruelas de nylon **33** e o bloco de entrada de ar **35**.
- Remova o grampo **97** do conector macho duplo **41** usando alicates grampo e remova o filtro sinterizado **96**.
- Monte na ordem inversa da desmontagem.
- Consulte os itens incluídos no conjunto de serviço 74200. Para obter uma lista completa, confira a página 89.

Os números dos itens em negrito referem-se à lista de peças e ao desenho do conjunto geral (páginas 94-95).

## 6.9 VÁLVULA DIFERENCIAL

- Usando Uma chave plana especial\*, desparafuse o plugue de bloqueio da válvula **27**, remova a mola **104** e o anel O **29**.
- Remova o silenciador **34** usando uma chave inglesa\* e remova a arruela de nylon **33**.
- Empurre o pistão da válvula **28** para fora do alojamento junto com os anéis O **30**, **31** e **32**.
- Confira a mola **104** por distorção e renove, se necessário.
- Monte na ordem inversa da desmontagem.

## 6.10 CONJUNTO DA CABEÇA

- Remova o equipamento do nariz antes de começar a desmontagem.
- Usando as chaves inglesas\*, remova o eixo **44** e a contraporca **45**.
- Remova a contraporca da mola de retorno **46** usando uma chave inglesa\*.
- Remova a mola de retorno **47**, a arruela **99** e o anel de bloqueio **90**.
- Confira a mola de retorno **47** por distorção e renove, se necessário.
- Monte na ordem inversa da desmontagem.

## 6.11 ALOJAMENTO TRASEIRO

- Usando uma chave Allen\*, remova o parafuso **40** do ponto de ajuste de curso **88** e levante da arruela de ponte **95**.
- Desengate o ponto de ajuste de curso **88** empurrando para trás contra a mola **89**.
- Desparafuse o alojamento traseiro **86**.
- Remova a banda de borracha do alojamento traseiro **87** se necessário.
- Extraia o grampo **84** usando alicates de grampo\* e remova o silenciador sinterizado **85**.
- Monte completamente na ordem inversa da desmontagem. Localize a lingueta **102** na cabeça antes de desparafusar no alojamento traseiro **86**.

## 6.12 DISTRIBUIDOR


- \* Usando uma chave Allen\*, remova dois parafusos **40**.
- \* Retire o distribuidor **83** junto com o plugue de extremidade do motor pneumático **81** e anéis O **82** e **31**, com cuidado para não derrubar a esfera **79** e a haste de pressão **78**.
- \* Usando uma chave Allen\*, remova quatro parafusos soquetes escareados **58** e remova o batente de curso **57**.
- \* Puxe os dois tubos de fornecimento de ar **59** e os quatro anéis O **60**.
- \* Monte na ordem inversa da desmontagem.

\* Consulte os itens incluídos no conjunto de serviço 74200. Para obter uma lista completa, confira a página 89. Os números dos itens em **negrito** referem-se à lista de peças e ao desenho do conjunto geral (páginas 94-95).

**6.13 PISTÃO HIDRÁULICO E CONJUNTO DO MOTOR PNEUMÁTICO (74200-12610)**

- Enrole fita adesiva ao redor da rosca do pistão hidráulico **54** e mova o conjunto para trás de forma firme e lenta. Usando alicates grampo\*, remova o grampo **52** e a vedação dianteira **51**.
- Remova os anéis O **76** e **77**.
- Usando duas chaves inglesas\*, separe o pistão hidráulico **54** do alojamento do motor pneumático **75**. Anel de ajuste do calço **55**, pivô de movimento **56** e anel O **101** sairão junto com o pistão hidráulico **54**.
- Remova o conjunto do motor pneumático do alojamento do motor pneumático **75**, remova o grampo **61** usando alicates grampo\* e bata o alojamento do motor pneumático **75** na bancada para liberar os componentes.
- As peças **62** a **74** podem ser removidas como um conjunto, com cuidado para não derrubar o pino **74**.
- Remova o rolamento **62**, o eixo de engrenagem planetária **63**, os três planetários **64**, a engrenagem do planetário **65** e o espaçador **66**.
- Usando um martelo suave, toque na cabeça estriada do rotor **70**.
- O rolamento **67** e a placa de extremidade dianteira **68** sairão com o estator **69** e cinco lâminas do rotor **71**. (o rotor **70** permanece na mão).
- Coloque a placa de extremidade traseira **72** no torno com mandíbulas macias.
- Usando uma punção de pino\*, toque no centro do rotor **70** para remover o rolamento **73**. (gire o rotor **70** de cabeça para baixo e o rolamento **73** sairá).
- Quando montar o motor pneumático, o lado traseiro do rotor **70** deverá apenas tocar a placa de extremidade traseira **72** sem qualquer folga axial (qualquer folga existente desaparecerá quando o rolamento **73** estiver totalmente posicionado).
- Quando inserir o motor pneumático na caixa do motor pneumático **75**, alinhe cuidadosamente as peças para que o pino **74** esteja localizado no orifício central entre as portas liga/desliga do eixo do alojamento do motor pneumático **75** e a placa da extremidade traseira **72**.
- Quando montar o pistão hidráulico **54** no conjunto do motor pneumático, aperte as peças manualmente e sopra ar em uma das portas externas do alojamento do motor pneumático **75**, verificando se o motor pneumático gira livremente.
- Quando montar a vedação dianteira **51**, garanta que a face de diâmetro maior fique de frente à traseira da ferramenta.
- Monte completamente na ordem inversa da desmontagem.

 **CUIDADO:** Confira a ferramenta por serviço diário e semanal.

 **CUIDADO:** A escorva é SEMPRE necessária após a ferramenta ser desmontada e antes da abertura.

\* Consulte os itens incluídos no conjunto de serviço 74200. Para obter uma lista completa, confira a página 89. Os números dos itens em **negrito** referem-se à lista de peças e ao desenho do conjunto geral (páginas 94-95).



**6.14 DADOS DE SEGURANÇA DO MOLYKOTE 55m**

Pode encomendar a graxa como um artigo único, o número de peça se encontra no conjunto de manutenção na página 89.

**PRIMEIROS SOCORROS**

PELE: Limpe e lave com água e sabão.

INGESTÃO: Nenhum efeito adverso é normalmente esperado. Trate sintomaticamente.

OLHOS: Irritante mas não prejudicial. Irrigue com água e procure um médico.

**AMBIENTE**

Recolha para incineração ou descarte em local aprovado.

**FOGO**

PONTO DE IGNIÇÃO: 101 °C

Não classificado como inflamável.

Agente de extinção apropriado: Espuma de dióxido de carbono, pó seco ou pulverizador fino de água.

**MANUSEIO**

Devem ser utilizadas luvas de plástico ou borracha.

**ARMAZENAMENTO**

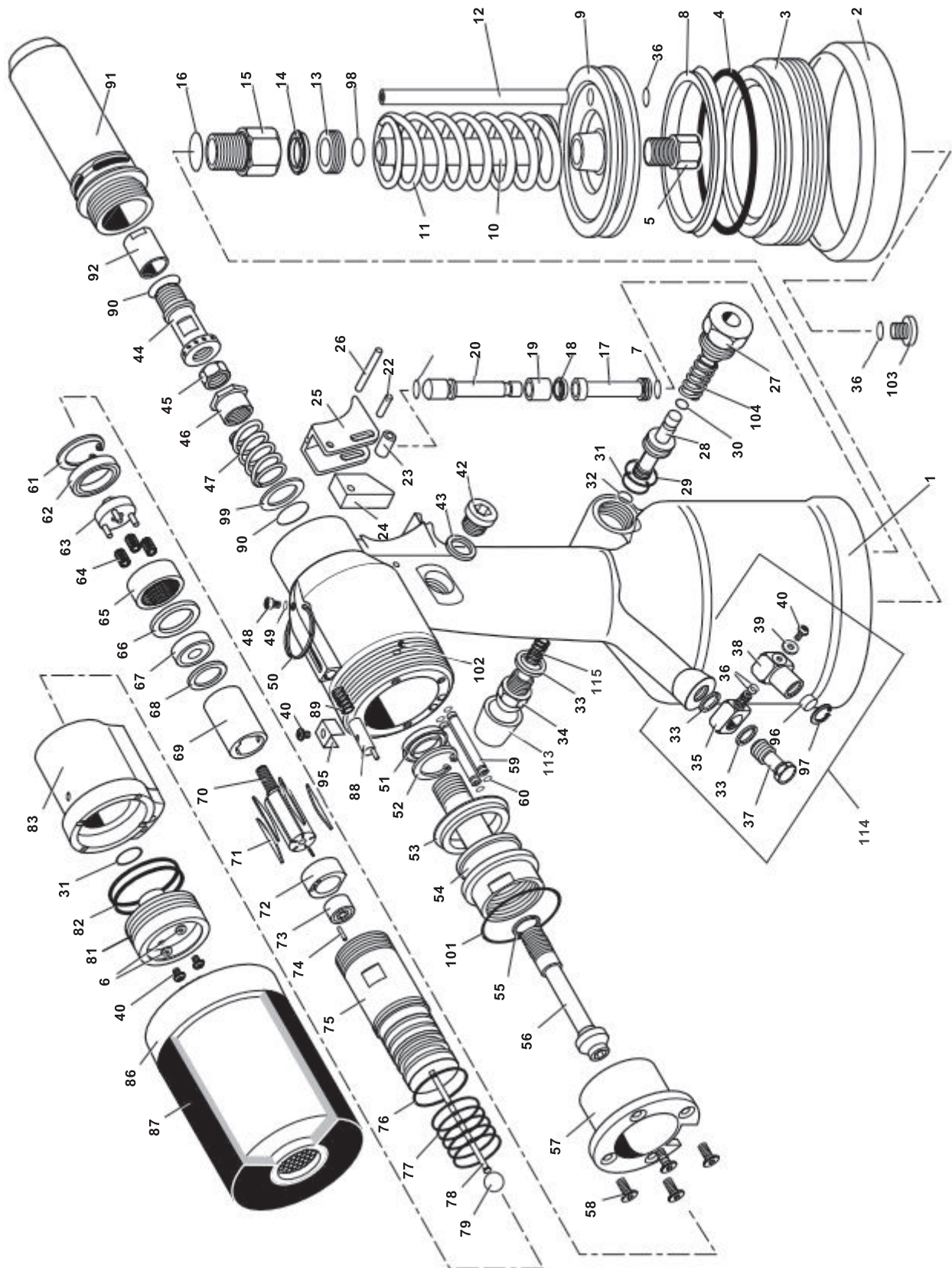
Afastado de agentes de calor e oxidação

**6.15 PROTEÇÃO AO MEIO AMBIENTE**

Assegure conformidade com as regras aplicáveis de descarte. Descarte todos os produtos resíduo em uma estação ou local aprovado de resíduos para não expor o pessoal e o meio-ambiente a perigos.

## 7. CONJUNTO GERAL

### 7.1 CONJUNTO GERAL DA FERRAMENTA DE BASE 74200-12000



7.2 LISTA DE PEÇAS DO CONJUNTO GERAL 74200-12000

Lista de peças para 74200-12000

74200-12000 LISTA DE PEÇAS														
ITEM	Nº DE PEÇA	DESCRIÇÃO	QTD	REC. PEÇAS DE REPOSIÇÃO	ITEM	Nº DE PEÇA	DESCRIÇÃO	QTD	REC. PEÇAS DE REPOSIÇÃO	ITEM	Nº DE PEÇA	DESCRIÇÃO	QTD	REC. PEÇAS DE REPOSIÇÃO
01	74200-12001	CABEÇA E ALÇA	1	-	40	07001-00420	PARAFUSO DE CABEÇA SOQUETE DO BOTAÓ M4	4	4	79	74200-12079	ESFERA (BORRACHA)	1	1
02	74200-12002	BASE DE BORRACHA	1	1						80	73200-02022	RÓTULO DE SEGURANÇA	1	N/1
03	74200-12003	PLUGUE DA EXTREMIDADE (APARAFUSADO)	1	-	42	07005-01274	BUJÃO DO ÓLEO	1	1	81	74200-12081	PLUGUE DA EXTREMIDADE DO MOTOR PNEUMÁTICO	1	-
04	74200-12004	ANEL O	1	1	43	74200-12043	ARRUELA DO ANEL DE VEDAÇÃO	1	1	82	74200-12082	ANEL O	2	2
05	74200-12005	PARAFUSO DE FIXAÇÃO DA HASTE DO PISTÃO	1	-	44	74200-12044	MANDRIL	1	1	83	74200-12083	DISTRIBUIDOR	1	-
06	07002-00109	ARRUELA A PROVA DE AGITAÇÃO M4	2	-	45	07555-00803	CONTRAPORCA	1	1					
07	07003-00027	ANEL O	2	2	46	74200-12046	CONTRAPORCA DA MOLA DE RETORNO	1	1	85	74200-12085	SILENCIADOR SINTERIZADO		
08	74200-12008	ANEL DE VEDAÇÃO (PISTÃO PNEUMÁTICO)	1	1	47	74200-12047	MOLA DE RETORNO	1	1	86	74200-12800	CONJUNTO DO ALOJAMENTO TRASEIRO	1	-
09	74200-12009	PISTÃO PNEUMÁTICO	1	-	48	07001-00329	PARAFUSO DE SANGRIA M5	1	1	87	74200-12087	BANDA DE BORRACHA DO ALOJAMENTO TRASEIRO	1	1
10	74200-12010	HASTE DO PISTÃO (INTENSIFICADOR)	1	-	49	07003-00033	ARRUELA DE SANGRIA DO ANEL DE VEDAÇÃO	1	1	88	74200-12088	PONTO DE AJUSTE DE CURSO	1	1
11	07555-00205	MOLA	1	1	50	07265-03021	ANEL DE SUSPENSÃO	1	1	89	74200-12089	MOLA	1	1
12	74200-12012	TUBO DA ALIMENTAÇÃO DE AR	1	1	51	07265-02004	VEDAÇÃO FRONTAL	1	1	90	07003-00028	ANEL DE BLOQUEIO	2	2
13	74200-12013	CONTRAPORCA	1	-	52	07004-00033	ANEL DE TRAVA	1	1	91	74200-12091	INVÓLUCRO DO NARIZ	1	-
14	74200-12014	VEDAÇÃO	1	1	53	74200-12053	VEDAÇÃO	1	1	92	74200-12092	PORCA ADAPTADORA (ATÉ M10)	1	1
15	74200-12015	GUIA DA HASTE	1	-	54	74200-12054	PISTÃO HIDRÁULICO	1	-	93	74200-12093	RÓTULO COLORIDO	1	N/1
16	07003-00100	ANEL O	1	1	55	74200-12055	ANEL DE AJUSTE DO CALÇO	1	1	94	07900-00354	ETIQUETA DE SEGURANÇA NA FIXAÇÃO	1	N/1
17	74200-12017	PLUGUE	1	-	56	74200-12056	ARTICULAÇÃO DO MOVIMENTO	1	1	95	74200-12095	ARRUELA DE PONTE	1	1
18	74200-12018	ANEL DE VEDAÇÃO	1	1	57	74200-12057	BATENITE DE CURSO	1	-	96	74200-12096	SINTERIZADO FILTRADO	1	1
19	74200-12019	GUIA	1	-	58	07001-00427	PARAFUSO ROSCADO SOQUETE M5	4	4	97	74200-12097	ANEL DE TRAVA	1	1
20	74200-12020	HASTE DO GATILHO	1	-	59	74200-12059	TUBO DE ALIMENTAÇÃO DE AR DO MOTOR PNEUMÁTICO	2	2	98	07003-00134	ANEL O	1	1
21	07003-00315	ANEL O 07003-00315	1	1	60	74200-12060	ANEL O	4	4	99	74200-12099	ARRUELA	1	1
22	74200-12022	PINO	1	1	61	74200-12061	ANEL DE TRAVA	1	1	100	07007-01526	RÓTULO CE (AVDEL ITALY)	1	N/1
23	74200-12023	ROLO	1	1	62	74200-12062	ROLAMENTO	1	-	101	74200-12121	ANEL O	1	1
24	74200-12024	CUNHA DE PRESSÃO	1	-	63	74200-12063	EIXO DA ENGRENAGEM PLANETÁRIA	1	-	102	74200-12122	LINGUETA (BORRACHA)	1	1
25	74200-12025	GATILHO	1	1	64	07555-09208	PLANETÁRIO	3	-	103	74200-12103	PLUGUE	1	1
26	74200-12026	PINO	1	1	65	74200-12065	ENGRENAGEM PLANETÁRIA	1	-	104	74200-12104	MOLA	1	N/1
27	74200-12027	PLUGUE DE BLOQUEIO DA VÁLVULA	1	-	66	74200-12066	ESPAÇADOR	1	-	105	07900-00614	MANUJAL DA FERRAMENTA	2	N/1
28	74200-12028	PISTÃO DA VÁLVULA	1	-	67	07555-09206	ROLAMENTO	1	-	106	07900-00632	CHAVE FINA 17/19 MM	1	N/1
29	07003-00086	ANEL O	1	1	68	07555-09210	PLACA DA EXTREMIDADE DIANTEIRA	1	-	107	07900-00409	CHAVE DE 12/13 MM	1	N/1
30	07003-00040	ANEL O	1	1	69	07555-09211	ESTATOR	1	-	108	07900-00224	CHAVE ALLEN 4 MM	1	N/1
31	07003-00026	ANEL O	2	2	70	74200-12070	ROTOR	1	-	109	07900-00225	CHAVE ALLEN 5 MM	1	N/1
32	07003-00046	ANEL O	1	1	71	07555-09213	LAMINA DO ROTOR	5	5	110	07900-00624	PUNÇÃO DE PINO DE 4 MM Ø	1	N/1
33	74200-12033	ARRUELA DE NYLON DE 1/8"	3	4	72	07555-09214	PLACA DA EXTREMIDADE TRASEIRA	1	-	111	07900-00637	CHAVE PLANA DE 17MM ESPECIAL	1	N/1
34	74200-12034	SILENCIADOR DE 1/8"	1	1	73	07555-09215	ROLAMENTO	1	-	112	07900-00469	CHAVE ALLEN 2.5 MM		
35	74200-12035	BLOCO DE ENTRADA DE AR	1	-	74	07555-09216	PINO	1	1	113	74200-12300	CONJUNTO DO DEFELETOR	1	N/1
36	07003-00029	ANEL O	4	4	75	74200-12075	ALOJAMENTO DO MOTOR PNEUMÁTICO	1	-	114	74200-12700	CONJUNTO DE ENTRADA	1	
37	74200-12037	PARAFUSO PERFURADO	1	-	76	07003-00305	ANEL O	1	1	115	07340-00401	MOLA	1	
38	74200-12038	ENTRADA ARTICULADA	1	-	77	07003-00306	ANEL O	5	5					
39	74200-12039	ARRUELA	1	1	78	74200-12078	HASTE DE PRESSÃO 80 mm LONGA	1	1					

## 8. ESCORVA

A escorva é SEMPRE necessária após a ferramenta ser desmontada e antes da abertura. Pode ser necessário restaurar o curso completo após uso considerável, quando o curso pode ser reduzido e os fixadores não estejam totalmente posicionados por uma operação do gatilho.

### 8.1 DETALHES DO ÓLEO

O óleo recomendado para escorva é o Hyspin® VG32 disponível em 0,5 l (número de peça 07992-00002) ou contêineres de um galão (número de peça 07992-00006). Confira os dados de segurança abaixo.

### 8.2 DADOS DE SEGURANÇA DO ÓLEO HYSPIN®VG 32

#### PRIMEIROS SOCORROS

##### PELE:

Lave cuidadosamente com água e sabão, assim que possível. O contato casual não exige atenção imediata. O contato breve não exige atenção imediata.

##### INGESTÃO:

Busque atenção médica imediatamente. NÃO induza o vômito.

##### OLHOS:

Irrigue imediatamente com água por vários minutos. Embora NÃO seja muito irritante, uma pequena irritação pode ocorrer após o contato.

#### FOGO

Ponto de ignição 232°C. Não classificado como inflamável.

Agente de extinção apropriado: CO2, pó seco, vapor ou névoa de água. NÃO use jatos de água.

#### MEIO-AMBIENTE

DESCARTE DE ÁGUA: Por meio do contratado autorizado para um local licenciado. Pode ser incinerado. O produto usado pode ser enviado para reclamação. DERRAMAMENTO: Impeça a entrada de drenos, esgotos e cursos de água. Seque com material absorvente.





#### MANUSEIO

Use proteções de olhos, luvas impermeáveis (por exemplo, de PVC) e um avental de plástico. Use em área bem ventilada.

#### ARMAZENAMENTO

Nenhuma precaução especial.

### 8.3 PROCEDIMENTO DE ESCORVA

-  **CUIDADO:** Garanta que o óleo esteja perfeitamente limpo e livre de bolhas de ar.
  -  **CUIDADO:** A ferramenta deve permanecer na lateral por toda a sequência de escorva.
  -  **CUIDADO:** Todas as operações devem ser realizadas em uma bancada limpa, com mãos limpas e em uma área limpa.
  -  **CUIDADO:** DEVE-SE ter cuidado a todo o tempo para garantir que nenhum material estranho entre na ferramenta ou poderá resultar em danos graves.
- Coloque a ferramenta de lado, o bujão do óleo **42** virado para cima.
  - Puxe o ponto de ajuste de curso traseiro **88** e desparafuse o alojamento traseiro **86** por um máximo de **5** giros da posição totalmente "INSERIDO".
  - Com uma chave Allen, desparafuse o bujão do óleo **42** e remova a arruela do anel de vedação **43**.
  - Ajuste a ferramenta com óleo de escorva, balançando levemente para expelir o ar.
  - Substitua a arruela de vedação do óleo **43** e o bujão do óleo **42** e aperte.
  - Você agora deve fazer a sangria da ferramenta. Esta operação garante que bolhas de ar sejam eliminadas do circuito de óleo.
  - Garantindo que o parafuso de sangria **48** esteja totalmente apertado, desparafuse apenas UM GIRO usando uma chave Allen. Conecte a ferramenta à alimentação de ar e pressione o gatilho.
  - Aguarde até que o óleo apareça ao redor do parafuso de sangria de óleo **48** e aperte novamente. Limpe o excesso de óleo.
  - Solte o gatilho.
  - Usando uma chave Allen, abra o bujão do óleo **42**.
  - Abasteça com óleo de escorva para o nível adequado. Substitua a arruela de vedação do óleo **43** e o bujão do óleo **42** e aperte totalmente.
  - É necessário ajustar o equipamento de nariz adequado e ajustar o curso da ferramenta antes de operar a ferramenta.

Os números dos itens em **negrito** referem-se à lista de peças e ao desenho do conjunto geral (páginas 94-95).

## 9. DIAGNÓSTICO DE AVARIAS

SINTOMA	CAUSA POSSÍVEL	SOLUÇÃO	REF. PÁGINA
O motor pneumático funciona lentamente	Vazamento de ar do motor	Verifique por vedações desgastadas. Substitua	91
	Baixa pressão de ar	Aumente	88
	Bloqueio da passagem de ar	Limpe a obstrução na alimentação de ar	
	Parafuso desgastado	Substitua	86
	Obstrução dos compartimentos	Lubrifique a ferramenta pela entrada de ar	
O inserto não deforma corretamente	Curso definido incorretamente	Ajuste	88
	Pressão de ar fora da tolerância	Ajuste	88
	Nível de óleo baixo	Escorve a ferramenta	97
	Inserto fora do alcance	Verifique o alcance do inserto	
O parafuso gira independente do motor	Cabo de acionamento danificado ou desgastado	Substitua	
	Parafuso desgastado ou danificado	Substitua	86
	Porca adaptadora solta	Aperte	86
	Anel de bloqueio 90 ausente	Ajuste um novo anel de bloqueio	93
Inserto não é acionado no parafuso	Tamanho incorreto da rosca do inserto	Troque para um inserto correto	
	Parafuso incorreto ajustado	Troque para o parafuso correto	
	Parafuso desgastado ou danificado	Substitua	
	Equipamento do nariz montado incorretamente	Desconecte a alimentação de ar, reajuste o equipamento do nariz com cuidado	86-87
A ferramenta está obstruída no inserto inserido	Curso excessivo/inserto com defeito/parafuso com defeito ou desgastado	NÃO PRESSIONE O GATILHO. Desbloqueie. O dispositivo de bloqueio de curso e o encaminhamento do alojamento traseiro deve estar na posição de curso zero. Pressione o gatilho. A ferramenta deverá girar. Redefina o curso. Caso contrário, desconecte o ar da ferramenta. Insira um pino de 4mm Ø pelas entradas do alojamento do nariz no eixo <b>44</b> . Gire até que o parafuso saia. Insira. Use um novo inserto E parafuso.	
O parafuso quebra	Curso excessivo da ferramenta	Redefina o curso	
	Carga lateral no parafuso	Segure o quadrado da ferramenta na aplicação quando adicionar o inserto	
A ferramenta não gira	Porca adaptadora do parafuso solta	Aperte	
	Sem alimentação de ar	Conecte	88
	Folga insuficiente entre a contraporca <b>45</b> e o eixo <b>44</b>	Ajuste a folga de 1,5mm para 2mm	93
	A haste de pressão <b>78</b> está muito curta	Substitua	94
	Motor pneumático obstruído	Lubrifique a ferramenta na entrada de ar. Se for insuficiente, desmonte e limpe completamente o motor pneumático	

SINTOMA	CAUSA POSSÍVEL	SOLUÇÃO	REF. PÁGINA
Gatilho inoperante	Atrito estático	Pressione o gatilho algumas vezes	
	Baixa pressão de ar	Aumente a pressão de ar	
	O pistão da válvula permanece preso	Pressione o gatilho várias vezes. Lubrifique a ferramenta pela entrada de ar. Se não tiver êxito, desmonte, limpe e lubrifique os elementos do gatilho	
O parafuso não retorna e/ou continua girando	O anel de vedação <b>18</b> está com defeito	Substitua	93
A ferramenta não gira	A porca adaptadora <b>92</b> está solta	Aperte	
	Sem alimentação de ar	Conecte	
	O alojamento traseiro desparafusado por mais de 5 voltas	Ajuste o curso da ferramenta por 5 giros	
	O anel O <b>82</b> está vazando ar	Substitua	94
	Distribuidor preso	Lubrifique	
	Motor pneumático obstruído	Lubrifique a ferramenta na entrada de ar. Se for insuficiente, desmonte e limpe completamente o motor pneumático	

Os números dos itens em **negrito** referem-se à lista de peças e ao desenho do conjunto geral (páginas 94-95). Outros sintomas ou falhas devem ser relatados ao seu distribuidor autorizado da Stanley Engineered Fastening local ou centro de reparo.



## 10. DECLARAÇÃO DE CONFORMIDADE DA CE

Nós, **Stanley Engineered Fastening, Stanley House, Works Road, Letchworth Garden City, Hertfordshire, SG6 1JY UNITED KINGDOM**, declaramos sob nossa única responsabilidade que o produto:

**Descrição:** Ferramenta hidropneumática 74200 para porcas de rebite cego

**Modelo:** 74200

ao qual esta declaração se refere, está em conformidade com as seguintes normas harmonizadas:

ISO 12100:2010	EN ISO 3744:2010
EN ISO 11202:2010	EN ISO 11148-1:2011
EN ISO 4413:2010	EN ISO 28662-1:1993
EN ISO 4414:2010	EN ISO 20643:2008+A1:2012
EN ISO 28927-5:2009+A1:2015	ES100118-rev 17:2017

Documentação técnica está compilada em conformidade com o Anexo VII, de acordo com a seguinte diretriz: **Diretiva de Máquinas (2006/42/CE)**

O abaixo assinado faz essa declaração em representação da STANLEY Engineered Fastening.



**A. K. Seewraj**

**Diretor de Engenharia, Reino Unido**

Avdel UK Limited, Stanley House, Works Road, Letchworth Garden City, Hertfordshire, SG6 1JY UNITED KINGDOM

**Local de publicação:** Letchworth Garden City, UK

**Data de publicação:** 01-01-2021

O abaixo assinado é responsável pelo preenchimento do arquivo técnico para produtos vendidos na União Europeia e faz essa declaração em nome da Stanley Engineered Fastening.

**Matthias Appel**

**Líder da Equipe de Documentação Técnica**

Stanley Engineered Fastening, Tucker GmbH, Max-Eyth-Str.1, 35394 Gießen, Alemanha



Essa maquinaria está em conformidade com a Diretiva de Máquinas 2006/42/CE

## 11. DECLARAÇÃO DE CONFORMIDADE DO REINO UNIDO

Nós, **Stanley Engineered Fastening, Stanley House, Works Road, Letchworth Garden City, Hertfordshire, SG6 1JY UNITED KINGDOM**, declaramos sob nossa única responsabilidade que o produto:

**Descrição:** Ferramenta hidropneumática 74200 para porcas de rebite cego

**Modelo:** 74200

ao qual esta declaração se refere, está em conformidade com as seguintes normas indicadas:

ISO 12100:2010	EN ISO 3744:2010
EN ISO 11202:2010	EN ISO 11148-1:2011
EN ISO 4413:2010	EN ISO 28662-1:1993
EN ISO 4414:2010	EN ISO 20643:2008+A1:2012
EN ISO 28927-5:2009+A1:2015	ES100118-rev 17:2017

A documentação técnica é preenchida de acordo com os **Regulamentos de Fornecimento de Equipamentos (Segurança) 2008**, S.I. 2008/1597 (e alterações).

O abaixo assinado faz essa declaração em representação da STANLEY Engineered Fastening



**A. K. Seewraj**

**Diretor de Engenharia, Reino Unido**

Avdel UK Limited, Stanley House, Works Road, Letchworth Garden City, Hertfordshire, SG6 1JY UNITED KINGDOM

**Local de publicação:** Letchworth Garden City, UK

**Data de publicação:** 01-01-2021



Essa maquinaria está em conformidade com  
Regulamentos do Suprimento de Máquinas (Segurança) 2008,  
S.I. 2008/1597 (e alterações)



## 12. PROTEJA O SEU INVESTIMENTO!

### **Stanley® Engineered Fastening GARANTIA DE FERRAMENTA DE REBITES CEGOS**

STANLEY® Engineered Fastening garante que todas as máquinas elétricas foram cuidadosamente fabricadas e não apresentarão defeitos de material nem de fabricação no seu uso normal e para serviços por um período de um (1) ano.

Esta garantia aplica-se ao primeiro comprador da máquina e apenas ao seu uso original.

#### **Exclusões:**

##### **Uso e desgaste normal.**

Manutenções periódicas, reparos e reposições de peças devido ao uso e ao desgaste normal estão excluídos da cobertura da garantia.

##### **Abuso & Uso Indevido.**

Defeitos ou danos resultados de operação incorreta, armazenamento e uso indevidos ou abuso, acidente ou negligência, como danos físicos, estão excluídos da cobertura da garantia.

##### **Modificação ou Manutenção Não Autorizada.**

Defeitos ou danos resultantes de operações, testes, ajustes, instalações, manutenções, alterações ou modificações de qualquer forma não realizadas pelo pessoal da STANLEY® Engineered Fastening, ou de seus centros de serviços autorizados, estão excluídos da cobertura da garantia.

Todas as outras garantias, explícitas ou implícitas, incluindo quaisquer garantias de comercialização ou adequação para qualquer propósito, estão excluídas.

Se a máquina não atende aos requisitos de garantia, devolva-a imediatamente ao nosso centro de serviços autorizados de fábrica mais próximo. Para uma lista de postos de assistências técnica autorizados da STANLEY® nos EUA ou Canadá, entre em contato conosco pelo número gratuito (877)364 2781.

Fora dos EUA e Canada, visite o nosso website **[www.StanleyEngineeredFastening.com](http://www.StanleyEngineeredFastening.com)** para encontrar o centro de serviços STANLEY Engineered Fastening mais próximo.

A STANLEY Engineered Fastening trocará então, gratuitamente, qualquer peça ou peças, as quais apresentam defeitos devido a uma falha de material ou de fabricação e, devolverá a máquina pré-paga. Isto representa nossa obrigação única sob esta garantia.

Em nenhuma circunstância a STANLEY Engineered Fastening deverá ser responsabilizada por quaisquer danos resultantes ou especiais oriundos da compra ou uso desta máquina.

#### **Registre sua Rebitadeira on-line.**

Para registrar a sua garantia on-line, acesse:

<https://www.stanleyengineeredfastening.com/support/warranty-registration-form>

Agradecemos por escolher uma ferramenta da marca STANLEY® Engineered Fastening de tecnologias Stanley.







**STANLEY Engineered Fastening**

STANLEY House, Works Road  
Letchworth Garden City  
Hertfordshire, United Kingdom  
SG6 1JY  
Tel: +44 1582 900 000  
Fax: +44 1582 900 001



**Holding your world together®**

Find your closest STANLEY Engineered Fastening location on [www.stanleyEngineeredFastening.com/contact](http://www.stanleyEngineeredFastening.com/contact)  
For an authorized distributor nearby please check [www.stanleyEngineeredFastening.com/econtact/distributors](http://www.stanleyEngineeredFastening.com/econtact/distributors)

Manual Number	Issue	C/N
07900-00614_NA	C	21/092

**STANLEY**  
Assembly Technologies

Stanley Engineered Fastening — a division of Stanley Black and Decker — is the global leader in precision fastening and assembly solutions. Our industry-leading brands, Avdel®, Integra™, Nelson®, Optia™, POP®, Stanley® Assembly Technologies, and Tucker®, elevate what our customers create. Backed by a team of passionate and responsive problem-solvers, we empower engineers who are changing the world.

**STANLEY ENGINEERED FASTENING FAMILY OF BRANDS**

