



- (EN) Hydro-Electric Power Tool
- (FR) Outil électrique hydropneumatique
- (DE) Hydroelektrisches Setzgerät
- (IT) Utensile elettroidraulico
- (PL) Narzędzie hydrauliczno-elektryczne
- (ES) Herramienta hidroneumática
- (NL) Hydro-elektrisch gereedschap
- (DA) Hydroelektrisk elværktøj
- (FI) Hydrosähköinen työkalu
- (NO) Hydroelektrisk verktøy
- (SV) Hydroelektriskt kraftverktyg
- (PT) Ferramenta hidroelétrica



AV<sup>®</sup>5 Installation Tool – 73425-02000

# Hydro-Electric Power Tool

©2021 by STANLEY Black & Decker brand  
 All rights reserved.





The information provided may not be reproduced and/or made public in any way and through any means (electronically or mechanically) without prior explicit and written permission from STANLEY Engineered Fastening. The information provided is based on the data known at the moment of the introduction of this product. STANLEY Engineered Fastening pursues a policy of continuous product improvement and therefore the products may be subject to change. The information provided is applicable to the product as delivered by STANLEY Engineered Fastening. Therefore, STANLEY Engineered Fastening cannot be held liable for any damage resulting from deviations from the original specifications of the product.

The information available has been composed with the utmost care. However, STANLEY Engineered Fastening will not accept any liability with respect to any faults in the information nor for the consequences thereof. STANLEY Engineered Fastening will not accept any liability for damage resulting from activities carried out by third parties. The working names, trade names, registered trademarks, etc. used by STANLEY Engineered Fastening should not be considered as being free, pursuant to the legislation with respect to the protection of Trademarks.

## CONTENT

<b>1. SAFETY DEFINITIONS .....</b>	<b>3</b>
1.1 GENERAL SAFETY RULE.....	3
1.2 PROJECTILE HAZARDS .....	3
1.3 OPERATING HAZARDS .....	4
1.4 REPETITIVE MOTIONS HAZARDS .....	4
1.5 ACCESSORY HAZARDS.....	4
1.6 WORKPLACE HAZARDS .....	4
1.7 NOISE HAZARDS.....	5
1.8 VIBRATION HAZARDS.....	5
1.9 ADDITIONAL SAFETY INSTRUCTIONS FOR HYDRAULIC POWER TOOLS.....	5
<b>2. SPECIFICATION .....</b>	<b>6</b>
2.1 INTENT OF USE.....	6
2.2 TOOL SPECIFICATION.....	6
2.3 TOOL DIMENSIONS .....	7
<b>3. PUTTING IN SERVICE .....</b>	<b>8</b>
3.1 PRINCIPAL OF OPERATION .....	8
3.2 PREPARATION FOR USE .....	9
<b>4. OPERATING INSTRUCTIONS .....</b>	<b>10</b>
4.1 TO INSTALL AN AVBOLT® FASTNER.....	10
4.2 TO INSTALL AN AVDELOK® FASTNER.....	10
4.3 TO INSTALL A NEOBOLT® FASTENER .....	11

<b>5. SERVICING THE TOOL .....</b>	<b>12</b>
5.1 DAILY SERVICING.....	12
5.2 WEEKLY SERVICING.....	12
5.3 ANNUAL SERVICING / EVERY 250K OPERATIONS.....	12
5.4 SERVICE KIT .....	12
5.5 SERVICING TOOLS.....	12
5.6 HYDRAULIC OIL .....	13
5.7 DISMANTLING INSTRUCTIONS.....	13
5.8 PROTECTING THE ENVIRONMENT.....	16
<b>6. GENERAL ASSEMBLY AND PART LIST .....</b>	<b>17</b>
6.1 GENERAL ASSEMBLY.....	17
6.2 PARTS LIST.....	19
<b>7. SAFETY DATA .....</b>	<b>20</b>
7.1 Enerpac® HF HYDRAULIC OIL - SAFETY DATA.....	20
7.2 MOLYLITHIUM GREASE EP 3753 - SAFETY DATA .....	20
7.3 Molykote® 111 GREASE - SAFETY DATA.....	21
<b>8. FAULT DIAGNOSIS .....</b>	<b>22</b>
<b>9. EC DECLARATION OF CONFORMITY.....</b>	<b>24</b>
<b>10. UK DECLARATION OF CONFORMITY .....</b>	<b>25</b>
<b>11. PROTECT YOUR INVESTMENT!.....</b>	<b>26</b>

	This instruction manual must be read by any person installing or operating this tool with particular attention to the following safety warnings and instructions.
	Always wear impact-resistant eye protection during operation of the tool. The grade of protection required should be assessed for each use.
	Use of the tool can expose the operator's hands to hazards, including crushing, impacts, cuts and abrasions and heat. Wear suitable gloves to protect hands.
	Use hearing protection in accordance with employer's instructions and as required by occupational health and safety regulations.

## 1. SAFETY DEFINITIONS

The definitions below describe the severity for each signal word. Please read the manual and pay attention to these symbols.



**DANGER:** Indicates an imminently hazardous situation which, if not avoided, will result in death or serious injury.



**WARNING:** Indicates a potentially hazardous situation which, if not avoided, could result in death or serious injury.



**CAUTION:** Indicates a potentially hazardous situation which, if not avoided, may result in minor or moderate injury.



**CAUTION:** Used without safety alert symbol indicates a potentially hazardous situation which, if not avoided, may result in property damage.

**Improper operation or maintenance of this product could result in serious injury and property damage. Read and understand all warnings and operating instructions before using this equipment. When using power tools, basic safety precautions must always be followed to reduce the risk of personal injury.**

### SAVE ALL WARNINGS AND INSTRUCTIONS FOR FUTURE REFERENCE.

#### 1.1 GENERAL SAFETY RULE

- For multiple hazards, read and understand the safety instructions before installing, operating, repairing, maintaining, changing accessories on, or working near the tool. Failure to do so can result in serious bodily injury.
- Only qualified and trained operators must install, adjust or use the tool.
- DO NOT use outside the design intent of placing STANLEY Engineered Fastening Blind Rivets.
- Use only parts, fasteners, and accessories recommended by the manufacturer.
- DO NOT modify the tool. Modifications can reduce the effectiveness of safety measures and increase the risks to the operator. Any modification to the tool undertaken by the customer will be the customer's entire responsibility and void any applicable warranties.
- Do not discard the safety instructions; give them to the operator.
- Do not use the tool if it has been damaged.
- Prior to use, check for misalignment or binding of moving parts, breakage of parts, and any other condition that affects the tool's operation. If damaged, have the tool serviced before using. Remove any adjusting key or wrench before use.
- Tools shall be inspected periodically to verify that the ratings and markings required by this part of ISO 11148 are legibly marked on the tool. The employer/user shall contact the manufacturer to obtain replacement marking labels when necessary.
- The tool must be maintained in a safe working condition at all times and examined at regular intervals for damage and function by trained personnel. Any dismantling procedure will be undertaken only by trained personnel. Do not dismantle this tool without prior reference to the maintenance instructions.

#### 1.2 PROJECTILE HARZARDS

- Disconnect the tool from the hydraulic pump unit before performing any maintenance, attempting to adjust, fit or remove a nose assembly or accessories.
- Be aware that failure of the workpiece or accessories, or even of the inserted tool itself can generate high-velocity projectiles.

- Always wear impact-resistant eye protection during operation of the tool. The grade of protection required should be assessed for each use.
- The risks to others should also be assessed at this time.
- Ensure that the workpiece is securely fixed.
- Check that the means of protection from ejection of fastener and/or mandrel is in place and is operative.
- Warn against the possible forcible ejection of mandrels from the front of the tool.
- DO NOT operate a tool that is directed towards any person(s).

### 1.3 OPERATING HAZARDS

- Use of the tool can expose the operator's hands to hazards, including crushing, impacts, cuts and abrasions and heat. Wear suitable gloves to protect hands.
- Operators and maintenance personnel shall be physically able to handle the bulk, weight, and power of the tool.
- Hold the tool correctly; be ready to counteract normal or sudden movements and have both hands available.
- Keep tool handles dry, clean, and free from oil and grease.
- Maintain a balanced body position and secure footing when operating the tool.
- Release the start-and-stop device in the case of an interruption of the hydraulic supply.
- Use only lubricants recommended by the manufacturer.
- Contact with hydraulic fluid should be avoided. To minimise the possibility of rashes, care should be taken to wash thoroughly if contact occurs.
- Material Safety Data Sheets for all hydraulic oils and lubricants is available on request from your tool supplier.
- Avoid unsuitable postures as it is likely for these positions not to allow counteracting of normal or unexpected movement of the tool.
- If the tool is fixed to a suspension device, make sure that the fixation is secure.
- Beware of the risk of crushing or pinching if nose equipment is not fitted.
- DO NOT operate tool with the nose casing removed.
- Adequate clearance is required for the tool operator's hands before proceeding.
- When carrying the tool from place to place keep hands away from the trigger to avoid inadvertent activation.
- DO NOT abuse the tool by dropping or using it as a hammer.
- Care should be taken to ensure that spent mandrels do not create a hazard.

### 1.4 REPETITIVE MOTIONS HAZARDS

- When using the tool, the operator can experience discomfort in the hands, arms, shoulders, neck or other parts of the body.
- While using the tool, the operator should adopt a comfortable posture whilst maintaining a secure footing and avoiding awkward or off-balance postures. The operator should change posture during extended tasks; this can help avoid discomfort and fatigue.
- If the operator experiences symptoms such as persistent or recurring discomfort, pain, throbbing, aching, tingling, numbness, burning sensations or stiffness, these warning signs should not be ignored. The operator should tell the employer and consult a qualified health professional.

### 1.5 ACCESSORY HAZARDS

- Disconnect the tool from the hydraulic and electrical supply before fitting or removing the nose assembly or accessory.
- Use only sizes and types of accessories and consumables that are recommended by the manufacturer of the tool; do not use other types or sizes of accessories or consumables.

### 1.6 WORKPLACE HAZARDS

- Slips, trips and falls are major causes of workplace injury. Be aware of slippery surfaces caused by use of the tool and also of trip hazards caused by the air line or hydraulic hose.
- Proceed with care in unfamiliar surroundings. There can be hidden hazards, such as electricity or other utility lines.
- The tool is not intended for use in potentially explosive atmospheres and is not insulated against contact with electric power.
- Ensure that there are no electrical cables, gas pipes, etc., which can cause a hazard if damaged by use of the tool.
- Dress properly. Do not wear loose clothing or jewellery. Keep your hair, clothing and gloves away from moving parts. Loose clothes, jewellery or long hair can be caught in moving parts.
- Care should be taken to ensure that spent mandrels do not create a hazard.

### 1.7 NOISE HAZARDS

- Exposure to high noise levels can cause permanent, disabling hearing loss and other problems, such as tinnitus (ringing, buzzing, whistling or humming in the ears). Therefore, risk assessment and the implementation of appropriate controls for these hazards are essential.
- Appropriate controls to reduce the risk may include actions such as damping materials to prevent workpieces from "ringing".
- Use hearing protection in accordance with employer's instructions and as required by occupational health and safety regulations.
- Operate and maintain the tool as recommended in the instruction manual, to prevent an unnecessary increase in the noise level.

### 1.8 VIBRATION HAZARDS

- Exposure to vibration can cause disabling damage to the nerves and blood supply of the hands and arms.
- Wear warm clothing when working in cold conditions and keep your hands warm and dry.
- If you experience numbness, tingling, pain or whitening of the skin in your fingers or hands, stop using the tool, tell your employer and consult a physician.
- Where possible Support the weight of the tool in a stand, tensioner or balancer, because a lighter grip can then be used to support the tool.

### 1.9 ADDITIONAL SAFETY INSTRUCTIONS FOR HYDRAULIC POWER TOOLS

- The operating hydraulic supply must not exceed 550 bar (8000 PSI).
- Oil under pressure can cause severe injury.
- Do not fit flexible hydraulic hoses rated at less than 700 bar (10,000 PSI) working pressure at a flow rate of 2.73 l/min (200 in 3/min).
- Never leave operating tool unattended. Disconnect hydraulic hose and electrical cable from the pump unit when tool is not in use, before changing accessories or when making repairs.
- Whipping hoses can cause severe injury. Always check for damaged or loose hoses and fittings.
- Prior to use, inspect hydraulic hoses for damage, all hydraulic connections must be clean, fully engaged and tight before operation. Do not drop heavy objects on hoses. A sharp impact may cause internal damage and lead to premature hose failure.
- Whenever universal twist couplings (claw couplings) are used, lock pins shall be installed and whipcheck safety cables shall be used to safeguard against possible hose-to-tool or hose-to-hose connection failure.
- DO NOT lift the placing tool by the hose or electrical cable. Always use the placing tool handle.
- DO NOT pull or move the hydraulic pump unit using the hoses. Always use the pump unit handle or roll cage.
- Keep dirt and foreign matter out of the hydraulic system of the tool as this will cause the tool to malfunction.
- Use only clean oil and filling equipment.
- Only recommended hydraulic fluids may be used.
- Power units require a free flow of air for cooling purposes and should therefore be positioned in a well ventilated area free from hazardous fumes.
- Maximum temperature of the hydraulic fluid at the inlet is 110°C (230°F).

**STANLEY Engineered Fastening policy is one of continuous product development and improvement and we reserve the right to change the specification of any product without prior notice.**

## 2. SPECIFICATION

### 2.1 INTENT OF USE

The AV<sup>5</sup> Installation Tool is principally a piston and cylinder assembly. When coupled hydraulically and electrically to a compatible hydraulic power source and the relevant nose assembly is attached, it is then used to install fasteners including 3/8" Avdelok<sup>®</sup>, 3/8" NeoBolt<sup>®</sup>, 5/16" Avbolt<sup>®</sup> and Ø16mm Avseal<sup>®</sup> in Industrial Environments.

The placing tool and hydraulic pump unit may only be used in accordance with the operating instructions for placing Stanley Engineered Fastening structural rivets.

Refer to the table below for the list of applicable fasteners and associated nose equipment.  
Refer to the datasheets listed in the table for the relevant nose assembly instructions.

**DO NOT** use under wet conditions or in the presence of flammable liquids or gases.

FASTENER		NOSE ASSEMBLY			NOSE ASSEMBLY DATASHEET
TYPE	SIZE	PART NUMBER	DIM. 'A'	DIM. 'B'	PART NUMBER
AVBOLT <sup>®</sup>	1/4"	07220-07500	70 mm	19 mm	07900-00905
	5/16"	07220-07700	100 mm	27mm	07900-00905
AVDELOK <sup>®</sup>	5/16"	07220-05600	130 mm	27 mm	
	3/8"	07220-02000	100 mm	27 mm	
AVSEAL <sup>®</sup> II	16 mm	07220-06800	100 mm	27 mm	07900-00840
AVTAINER <sup>®</sup>	3/8" *	71230-15600	130 mm	23 mm	
MONOBOLT <sup>®</sup>	1/4" *	71230-15800	130 mm	27 mm	
	3/8"	07220-07200	110 mm	27 mm	
NEOBOLT <sup>®</sup>	5/16"	73200-05000	100 mm	27 mm	07900-01071
	3/8"	73200-05100	100 mm	27 mm	07900-01071

Notes:

Length dimensions rounded.

\* It is a requirement to fit adaptor part number 07267-00800 to fit this nose assembly.

\*Nose assembly with jaw release.

Refer to the illustration on page 8 for the identification of the nose assembly dimensions 'A' and 'B'.

The safety instructions must be followed at all times.

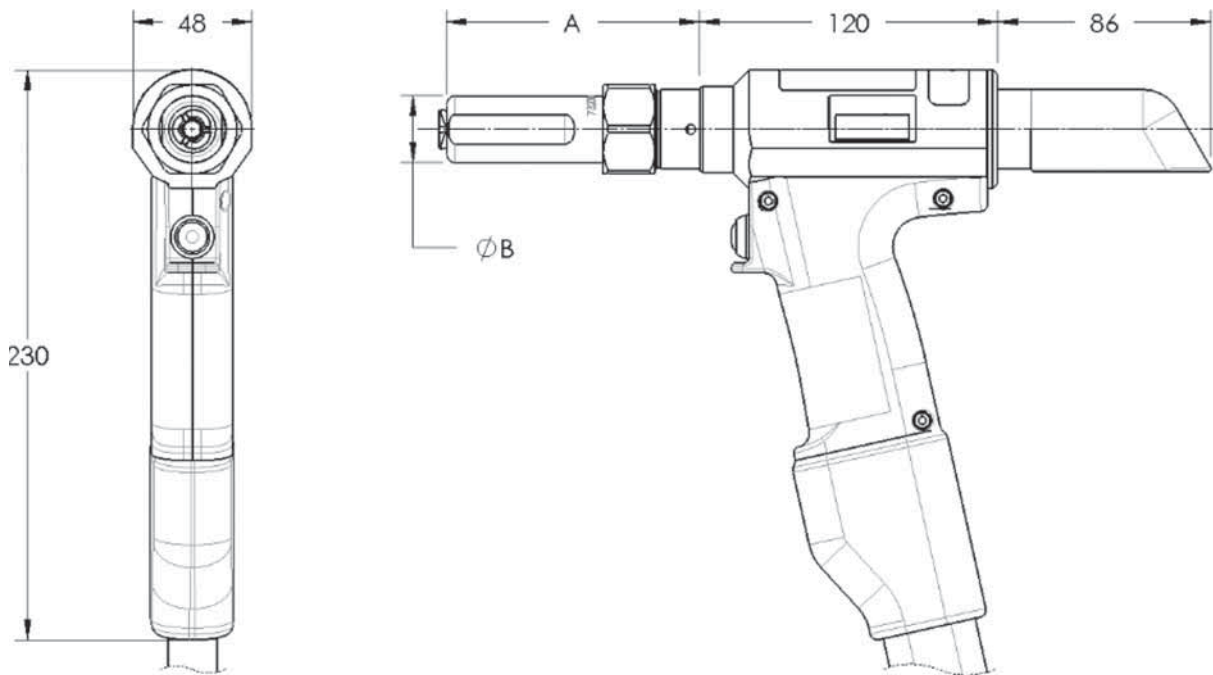
### 2.2 TOOL SPECIFICATION

	SPECIFICATION	METRIC	IMPERIAL
Force:	Pull @ stated pull pressure	36.0 kN	8992.4 lbf
	Push Off @ stated return pressure	17.5 kN	3934.1 lbf
Pressure:	Pull	510 bar	7396.9 lbf/in <sup>2</sup>
	Return	200 bar	2900.7 lbf/in <sup>2</sup>
Stroke:	Minimum piston stroke	30.0 mm	1.18 in
Weight:	With nose equipment and hose	2.9 kg	6.4 lb
Hydraulic Oil:	Enerpac Hydraulic Oil - HF-95X	-	-
	Stem Ejection		Rear
	Seal Arrangement	Twin Lip & Wiper seals	
Additional Features:	Hydraulic Bearing Rings	Yes – Front & Rear	
	Protective Handle / Hose Gator		Yes
	Protective Hose Guard		Yes
	Hose / Cable Retention Clamps		Yes

Noise values determined according to noise test code ISO 15744 and ISO 3744.		AV5
A-weighted sound power level dB(A), LWA	Uncertainty noise: kWA = 3.0 dB(A)	86.9 dB(A)
A-weighted emission sound pressure level at the work station dB(A), LpA	Uncertainty noise: kpA = 3.0 dB(A)	75.9 dB(A)
C-weighted peak emission sound pressure level dB(C), LpC, peak	Uncertainty noise: kpC = 3.0 dB(C)	81.1 dB(C)

Noise values determined according to noise test code ISO 20643 and ISO 5349		AV5
Vibration emission level, ahd:	Uncertainty vibration: k = 1.34 m/s <sup>2</sup>	2.69 m/s <sup>2</sup>
Declared vibration emission values in accordance with EN 12096		

**2.3 TOOL DIMENSIONS**



All dimensions are shown in millimetres. Illustration shown with 3/8" NeoBolt® nose assembly fitted. Tool appearance will vary with different nose assemblies fitted.

Refer to the table on page 7 for the nose assembly dimensions 'A' and 'B'.

The tool is fitted with two Hydraulic Hoses and an electrical Control Cable, 0.6m in length. Additional hydraulic hose and cable extension lengths are available to order separately as required. Refer to the table below for the available hose assembly lengths and associated part numbers.

HYDRAULIC HOSE ASSEMBLY	
PART NUMBER	HOSE LENGTH
07008-00448	5 Metre
07008-00449	10 Metre
07008-00450	15 Metre



### 3. PUTTING IN SERVICE

#### 3.1 PRINCIPAL OF OPERATION

**IMPORTANT - READ THE SAFETY RULES ON PAGES 4 - 6 AND THE PUMP UNIT INSTRUCTION MANUAL CAREFULLY BEFORE PUTTING INTO SERVICE.**

When both hoses and control cable are connected to the Avdel® / Enerpac® hydraulic pump unit, the pull and return cycles of the tool are controlled by depressing and releasing the trigger located in the handle.

When the switch is depressed the solenoid valve, located in the hydraulic pump unit, is energised and directs the pressurised oil flow to the pull side of the piston in the placing tool. This also allows the oil in the return side of the placing tool to return to the reservoir.

During the pull cycles the piston/collet assembly moves towards the rear of the tool allowing the O-ring type cushion to push the follower and jaws forward. If a fastener pin has been inserted in the nose assembly, the jaw set will clamp onto the pintail and assembly will commence.

For Avbolt® and Avdelok® the cycle of installation will first clamp the joint to be fastened and then as the anvil continues to move forward the collar will be swaged into the locking grooves of the pin. At the end of the swaging cycle the anvil will come up against the joint and as movement continues the pintail will be broken off.

The trigger switch should be released immediately after pin break occurs. Releasing the trigger switch will cause the solenoid to de-energise and reverse the flow of pressurised oil.

If the trigger is not released, the placing tool piston will continue to move towards the rear of the tool until it reaches the end of its stroke. The pressure in the pull side will then increase until a preset 'High Pressure' value is achieved at the pump. At this point the solenoid valve will automatically de-energise and reverse the flow of pressurised oil to the return side of the placing tool.

In either case, pressurised oil will now flow into the return side of the placing tool, with the oil in the pull side returning to the reservoir.

The forward movement of the piston/collet assembly will eject the installed fastener from the anvil.

At the point of releasing the trigger or when the 'High Pressure' value is achieved, the solenoid valve will de-energise and activate a preset 'Return Timer'. This controls the time that the pump motor will continue run before switching to the idle mode. The timer can be manually set between 5 and 20 seconds to ensure that the placing tool piston always fully returns to the forward position (refer to pump manual 07900-01030, pages 10 and 13).

When the piston returns to the fully forward position, the pressure will increase to preset low pressure value - c200bar. The pump motor will continue to run until the Return Timer has expired. After this time period the motor will stop automatically and valve will switch to the idle position. The solenoid valve will then automatically cycle to release pressurised oil to the reservoir from both the pull and return side of the placing tool.

This keeps the installation tool in the forward position. No pressure will be present in the hydraulic system at this point.

The hydraulic pump unit will automatically start up on depression of the tool trigger switch.

### 3.2 PREPARATION FOR USE

**CAUTION - CORRECT PULL AND RETURN PRESSURES ARE IMPORTANT FOR PROPER FUNCTION OF THE INSTALLATION TOOL. PERSONAL INJURY OR DAMAGE TO EQUIPMENT MAY OCCUR WITHOUT CORRECT PRESSURES. THE PULL AND RETURN PRESSURES SUPPLIED BY THE HYDRAULIC PUMP UNIT MUST NOT EXCEED THOSE PRESSURES LISTED IN THE PLACING TOOL SPECIFICATION.**

**IMPORTANT – BEFORE PUTTING THE PLACING TOOL AND HYDRAULIC HOSE SET INTO SERVICE:**

**ENSURE THAT THE PUMP PRESSURE RELIEF VALVES HAVE BEEN SET IN ACCORDANCE WITH THE PUMP INSTRUCTIONS AND THE MAXIMUM PRESSURES SPECIFIED FOR THE PLACING TOOL AND HOSES.**

**ENSURE THAT THE HOSE KIT IS PRIMED WITH HYDRAULIC FLUID IN ACCORDANCE WITH THE PROCEDURE IN THE PUMP INSTRUCTION MANUAL 07900-01030.**

- Ensure the mains power supply to the hydraulic pump unit is switched off.
- Connect the placing tool hydraulic hose quick couplers directly to the pump unit before connecting the electrical control cable. Hoses and control cable must be connected in this order and disconnected in reverse order.
- Switch on the mains supply to the hydraulic pump unit. Wait 5 seconds for the pump unit to complete the boot sequence, before pressing the trigger switch. When all set the LCD screen on the pump unit will display 'AVDEL'.
- During the boot sequence the pump control system identifies any trigger operation as a potential malfunction and prevents the motor from starting. The LCD screen will display 'BUTTON FAULT' in this instance. Reset by switching off the power supply for 10 seconds.
- Ensure that the placing tool is positioned below the pump reservoir tanks. Depress and release the placing tool trigger switch a few times to almost the full stroke of the tool to circulate hydraulic fluid and expel any air from the tool.
- Observe action of tool. Check for fluid leaks and ensure that in the idler mode the piston is in the fully forward position. The placing tool will now be primed.
- Switch off the mains power supply to the hydraulic pump unit and then disconnect the placing tool from the pump unit in reverse order to that described above.
- Now connect the placing tool to the primed hydraulic hose kit and electrical control cable. Then connect hydraulic hose kit quick couplers and the electrical control cable to the pump unit.
- Attach the nose assembly to the tool as per the instructions in the relevant nose assembly datasheet.
- Switch on the mains supply to the hydraulic pump unit as described above.
- Depress and release the placing tool trigger switch a few times to almost the full stroke of the tool to circulate hydraulic fluid.
- The placing tool is now ready for use.

## 4. OPERATING INSTRUCTIONS

### 4.1 TO INSTALL AN AVBOLT® FASTNER

For further information regarding this fastener, refer to the nose assembly data sheet as listed in the table on page no 7. The information below is for guide use.

- Check work and remove excessive gap. (Gap is the space between components of the Joint. Gap is excessive if not enough pintail sticks through the collar for the nose assembly jaws to grab onto).
- Put Avbolt® fastener into hole.
- Push nose assembly onto the pin until the nose assembly anvil stops against the collar. Tool and nose assembly must be held at right angles (90°) to the work.
- Depress tool trigger switch to start installation cycle.
- When the forward motion of the nose assembly anvil stops and the pintail breaks off, release the trigger. The tool will go into its return stroke and push off the installed fastener. At the end of the return stroke the jaws will partially release the expended pintail which can then be pushed through the jaws with the next installation and then ejected through the rear of the tool.
- Once the installed fastener has been ejected, the tool and nose assembly is ready for the next installation.

### 4.2 TO INSTALL AN AVDELOK® FASTNER

For further information regarding this fastener, refer to the nose assembly data sheet as listed in the table on page no 7. The information below is for guide use.

- Check work and remove excessive gap. (Gap is the space between components of the Joint. Gap is excessive if not enough pintail sticks through the collar for the nose assembly jaws to grab onto).
- Put Avdelok® fastener into hole.
- Slide Avdelok® collar over the pin. (The beveled end of the collar must be towards the nose assembly and tool.)
- Push nose assembly onto the pin until the nose assembly anvil stops against the collar. Tool and nose assembly must be held at right angles (90°) to the work.
- Depress tool trigger switch to start installation cycle.
- When the forward motion of the nose assembly anvil stops and the pintail breaks off, release the trigger. The tool will go into its return stroke and push off the installed fastener. At the end of the return stroke the jaws will partially release the expended pintail which can then be pushed through the jaws with the next installation and then ejected through the rear of the tool.
- Once the installed fastener been ejected, the tool and nose assembly is ready for the next installation.

**CAUTION - DO NOT ATTEMPT TO BREAK OFF A PINTAIL WITHOUT THE INSTALLATION OF A COLLAR AS THIS WILL CAUSE THE UNSECURED PORTION OF THE AVDELOK® OR AVBOLT® PINTAIL TO EJECT FROM THE NOSE AT A HIGH SPEED AND FORCE.**

### 4.3 TO INSTALL A NEOBOLT® FASTENER

For further information regarding this fastener, refer to the nose assembly data sheet as listed in the table on page no 7. The information below is for guide use.

- Put NeoBolt® pin tail into hole and push fully through the joint layers.
- Fit NeoBolt® collar over the pin tail (the flanged end of the collar must be closest to the workpiece) and rotate clockwise to engage the collar onto the pin fit-up thread by at least half a turn.
- Push the collet fully over the pin pulling tail until collet fully covers the pulling groove on the NeoBolt® **pin** and the pulling tail makes contact with the collet stop. The placing tool must be held perpendicular (90°) to the work piece surface.
- Depress and hold the tool trigger switch to start the installation cycle. The collet will grip the NeoBolt® **pin** tail and pull the anvil up against the collar.
- Continue to hold the trigger down until the collar is fully swaged and the forward motion of the anvil stops against the collar flange. The placing tool piston and collet will then automatically return to push the anvil off the installed collar and release the pin tail from the collet.
- Release the trigger.
- Once the installed fastener has been ejected from the anvil, the placing tool, nose assembly and pump unit are ready for the next installation.

**CAUTION – Do not release the trigger until the placing tool pull cycle is complete and the pump unit and tool have switched automatically to the return cycle. Releasing the trigger before this point will result in an incorrectly placed and partially installed NeoBolt® fastener.**

## 5. SERVICING THE TOOL

**IMPORTANT - READ SAFETY INSTRUCTIONS ON PAGES 4 - 6. THE EMPLOYER IS RESPONSIBLE FOR ENSURING THAT TOOL MAINTENANCE INSTRUCTIONS ARE GIVEN TO THE APPROPRIATE PERSONNEL. THE OPERATOR SHOULD NOT BE INVOLVED IN MAINTENANCE OR REPAIR OF THE TOOL UNLESS PROPERLY TRAINED. THE TOOL SHALL BE EXAMINED REGULARLY FOR DAMAGE AND MALFUNCTION.**

### 5.1 DAILY SERVICING

- Check placing tool, hoses and quick couplers for oil leaks.
- Worn or damaged hoses and couplings should be replaced.
- Check that the stroke of tool meets the specification.
- Check the end cap is properly and tightly fitted to the AV®5 body.
- Check that the stem deflector is fitted.
- Check that the pump pull / advance pressure relief valve is functioning correctly.
- Check nose equipment is correct for the rivet to be placed and that it is fitted properly.
- Check for worn anvil indicated by score marks on the installed collar. This can also be confirmed by referring to the installed data in the fastener catalogue. Excessive wear can cause the anvil to rupture.

### 5.2 WEEKLY SERVICING

- Dismantle and clean the nose assembly especially the jaws as described in the relevant nose assembly data-sheet.
- Check for oil leaks in placing tool, hoses and quick couplers.

**CAUTION – Never use solvents or other harsh chemicals for cleaning the non-metallic parts of the tool. These chemicals may weaken the materials used in these parts.**

### 5.3 ANNUAL SERVICING / EVERY 250K OPERATIONS

- Annually or every 250,000 cycles (which is sooner) the tool should be completely dismantled and new components should be used where worn, damaged or as recommended. All O-rings, back-up rings and seals should be renewed and lubricated with MolyKote® 111 grease before assembling.

### 5.4 SERVICE KIT

For a complete service the following Service Kit is available:

SERVICE KIT: 73425-99990			
PART NUMBER	DESCRIPTION	PART NUMBER	DESCRIPTION
07005-10118	Quick Coupler – Male	07900-01103	AV®5 Piston Guide Sleeve
07005-10120	Quick Couple –Female	07900-01104	AV®5 End Cap Assembly Tool
07900-00043	AV®5 PistonBullet–Front AV®5	07992-00020	Grease – MolyLithium EP3753
07900-01101	Piston Bullet –Rear	07900-00755	Grease – MolyKote 111
07900-01102	AV®5 Front Gland Guide Rod	07900-00756	Loctite 243 Thread Locker
		07002-00478	M4 X 20 Socket HD cap screw

### 5.5 SERVICING TOOLS

The following standard tools are also required:

- Allen Key: 2.0 / 3.0 mm
- Open End Flat Spanner: 12 / 14 / 18 / 24 / 45 mm A/F
- PTFE Tape: 10 mm
- Engineers Vice with Jaw Guards – 150 mm

## 5.6 HYDRAULIC OIL

**CAUTION – Use only Enerpac® HF hydraulic oil – the use of any other oil may cause the placing tool and pump to malfunction and will render the placing tool warranty null and void.**

Hydraulic oil is available to order under the following part numbers.

HYDRAULIC OIL			
PART NUMBER	07992-00081	07992-00082	07992-00083
Enerpac® Part Number	HF-95X	HF-95Y	HF-95T
Volume	1 Litre	5 Litres	20 Litres
Viscosity	32 mm <sup>2</sup> /s	32 mm <sup>2</sup> /s	32 mm <sup>2</sup> /s

## 5.7 DISMANTLING INSTRUCTIONS

**IMPORTANT – ENSURE THE MAINS POWER SUPPLY TO THE HYDRAULIC PUMP UNIT IS SWITCHED OFF BEFORE REMOVING THE NOSE ASSEMBLY OR DISMANTLING THE PLACING TOOL.**

### Before Dismantling:

- Uncouple the Quick Couplers **9** and **10** and the electrical Control Cable **14** between the placing tool and the Hydraulic Hose Assembly.
- Remove the nose assembly from the placing tool as per the instructions in the relevant nose assembly datasheet.
- The potentially dangerous substances that could have deposited on the machine as a result of work processes must be removed before maintenance.

For a complete service of the tool, we advise that you proceed with dismantling the tool in the order shown on pages **14** to **17**. After dismantling the tool we recommend that you replace all seals.

### Head Piston Assembly:

- Remove the Deflector **3**, from the End Cap **15**.
- Clamp the tool handle in a vice with soft jaws so that the tool is pointing nose down. Insert the dowel pins on the \*End Cap Assembly Tool into the three holes in the End Cap **15**.
- Using a 45 mm A/F spanner, unscrew and remove the End Cap **15**, from the Body **1**.
- Using a small flat screwdriver, remove O-Ring **28** from the End Cap **15** and discard.
- Connect the spare \*Quick Coupler – Male to the Quick Coupler – Female **10** on the Hydraulic Hose - Return **24**. This will release any pressure from the return side of the Piston **18** and ease the removal of the Rear Seal Gland **16**. Note: Hydraulic oil will be expelled from the spare quick coupler – male
- Insert three M4 screws into the Rear Seal Gland **16** and use them to pull the part off the rear shaft of the Piston **18** and out of the Body **1**.
- Using a small flat screwdriver or similar tool, remove O-Ring **31** and Spiral Back-up Ring **30**, from the external groove on the Rear Seal Gland **16**, and discard. When removing the seals, take care not to damage the surface of the Rear Seal Gland with the screwdriver.
- Remove Rod Seal **29** and Wiper Seal **33**, from the internal grooves on the Rear Seal Gland **16**, and discard. When removing the seals, take care not to damage the surface of the Rear Seal Gland with the screwdriver.
- Remove Rear Bearing Ring **32** and check the part for wear or damage. Discard if necessary.
- Remove the placing tool from the vice and empty the hydraulic oil from the rear of the tool. Remove the spare \*Quick Coupler – Male from the Quick Coupler – Female **10** on Hydraulic Hose - Return **24**.

All numbers in bold refer to the General Assembly and Parts List on pages 18, 19 and 20.

- \* Service Kit on page 13
- Connect the spare \*Quick Coupler - Female to the Quick Coupler – Male **9** on the Hydraulic Hose - Pull **25**. This

will release any pressure from the pull side of the Piston **18** and ease the removal of the Piston. Note: Hydraulic oil will be expelled from the spare quick coupler – female.

- Screw the \*Piston Bullet - Front on to the front of the Piston **18**.
- Place the Body **1** nose up on a bench. Then using a soft mallet, tap the Piston **18** towards the rear of the Body and out the back end, taking care not to damage the bore within the Body.
- Note that when removing the Piston **18**, oil on the pull side of the Piston **18** will leak from the front and rear of the Body **1**.
- When removing the Piston **18**, the Front Seal Gland **17** may be retained on the Piston shaft. If this is the case, unscrew the \*Piston Bullet - Front and pull the Front Seal Gland off of the Piston.
- Using a small flat screwdriver remove Piston Seal **35** and the two Anti-Extrusion Rings **34**, from the external groove on the Piston **18**, and discard. When removing the seals, take care not to damage the surface of the Piston with the screwdriver.
- If the Front Seal Gland **17** is still retained in the Body **1**. Place the Body nose up on a bench and then push the Front Seal Gland from the front until it is free from the recess within Body. The Front Seal Gland can then be removed from the back end of the Body. Take care not to damage the bore within the Body when doing so.
- Using a small flat screwdriver remove O-Ring **38** and Spiral Back-up Ring **39**, from the external groove on the Front Seal Gland **17**, and discard. When removing the seals, take care not to damage the surface of the Front Seal Gland with the screwdriver.
- Remove Rod Seal **36** and Wiper Seal **40**, from the internal grooves on the Front Seal Gland **17**, and discard. When removing the seals, take care not to damage the surface of the Front Seal Gland with the screwdriver.
- Remove the Front Bearing Ring **37** and check the part for wear or damage. Discard if necessary.
- Remove the spare \*Quick Coupler - Female from the Quick Coupler - Male **9** on the Hydraulic Hose - Pull **25**.

**Assemble in reverse order to dismantling noting the following points:**

- Clean all components before assembling.
- To aid assembly of seals apply a light coating of Molykote® 111 grease to all seals, seal grooves, back-up rings and the assembly tools.
- Slide O-Ring **38** over the Front Seal Gland **17** and into the external groove. Insert the Spiral Back-up Ring **39** in the same groove, in front of the installed O-Ring. Refer to the General Assembly and Parts List for the correct orientation of the O-Ring and Spiral Back-up Ring.
- Press the Front Bearing Ring **36** into the internal recess within the Front Seal Gland **17** and then install Rod Seal **36** behind the Front Bearing Ring. Install the Wiper Seal **40** in the front recess of the Front Seal Gland. Refer to the General Assembly to ensure the correct orientation of the Rod Seal and Wiper Seal.
- Lubricate the surface and leading edge of the Body **2** bore into which the Front Seal Gland **17** is to be installed with Molykote® 111 grease.
- Lubricate the spigot on the \*Front Gland Guide Rod tool and then place the Front Seal Gland **17**, Rod Seal **36** end first, fully over spigot. Insert \*Front Gland Guide Rod into the rear of the Body **1** and then push the Front Seal Gland fully into the bore within the Body. Reasonable force is required to insert Front Seal Gland into the Body, so the use of a press or vice may be necessary. Remove the \*Front Gland Guide Rod while ensuring that the Front Seal Gland stays in place.
- Lubricate the seal groove and major external diameter of the Piston **18** with Molykote® 111 grease. Slide the Piston Seal **35** over the front of the major Piston diameter and into the seal groove. Install two Anti-Extrusion Rings **34** into the Piston seal groove, one either side of the Piston Seal.
- Screw the \*Piston Bullet - Front onto the front of the Piston **18**. Lubricate the \*Piston Bullet - Front, Piston shaft and Piston Seal **35** with Molykote® 111 grease.

All numbers in bold refer to the General Assembly and Parts List on pages 18, 19 and 20.

\* Service Kit on page 13

- Screw the \*Piston Guide Sleeve fully into the rear of the Body **1**. Lubricate the bores in both the Body and the \*Piston Guide Sleeve with Molykote® 111 grease.
- Connect the spare \*Quick Coupler - Female to the Quick Coupler - Male **9** on the Hydraulic Hose - Pull **25**. This will allow air to be released from the pull side of the Piston **18** when inserting the Piston.
- Insert the assembled Piston **18** into the rear of the Body **1** and through the assembled Front Seal Gland **17**. Push the Piston into the fully forward position until it stops against the Front Seal Gland. Hydraulic oil will be expelled from the Hydraulic Hose - Pull **25**.
- Remove the spare \*Quick Coupler - Female from the Quick Coupler - Male **9** on the Hydraulic Hose - Pull **25**. Remove the \*Piston Guide Sleeve from the rear of the Body **1**.
- Slide O-Ring **31** over the Rear Seal Gland **16** and into the external groove. Insert the Spiral Back-up Ring **30** in the same groove, behind the installed O-Ring. Refer to the General Assembly and Parts List for the correct orientation of the O-Ring and Spiral Back-up Ring.
- Press the Rear Bearing Ring **32** into the internal recess within the Rear Seal Gland **16** and then install Rod Seal **29** behind the Rear Bearing Ring. Install the Wiper Seal **33** in the rear recess of the Rear Seal Gland. Refer to the General Assembly to ensure the correct orientation of the Rod Seal and Wiper Seal.
- Clamp the tool handle in a vice with soft jaws so that the tool is pointing nose down.
- Lubricate the surface and leading edge of the Body **1** bore into which the Rear Seal Gland **16** is to be installed with Molykote® 111 grease. Lubricate the rear Piston **18** shaft with Molykote® 111 grease.
- Insert the \*Piston Bullet - Rear into the rear Piston **18** shaft and Lubricate with Molykote® 111 grease.
- Fill the rear of the Body **1** with Enerpac® HF hydraulic oil. Oil level should be just above the rear inlet bore into the Body.
- Connect the spare \*Quick Coupler - Male to the Quick Coupler - Female **10** on the Hydraulic Hose – Return **24**. This will allow air to be released from the return side of the Piston **18** when inserting the Rear Seal Gland **16**. Note: Hydraulic oil may be expelled from the spare quick coupler – female.
- Place the Rear Seal Gland **16** over the \*Piston Bullet - Rear. Then push the Rear Seal Gland over the Piston **18** shaft and into the rear of the Body **1**. Push the Rear Seal Gland into the Body until a few internal threads are exposed at the rear of the Body. Take care not to damage the O-Ring **31** and Spiral Back-up Ring **30** on the threads when inserting the Rear Seal Gland.
- Lubricate both the internal thread in the Body **1** and the external thread on End Cap **15** with MolyLithium Grease.
- Screw the End Cap **15** fully into the rear of the Body **1** using the \*End Cap Assembly Tool. In doing so, the Rear Seal Gland **16** will be pressed into position within the Body **1** and a small amount of oil will be expelled from the Hydraulic Hose - Return **24**.
- Remove the spare \*Quick Coupler - Male from the Quick Coupler - Female **11** on the Hydraulic Hose - Return **24**.
- Push the Deflector **3**, onto the End Cap **15**.
- Prime the placing tool as described in Preparation for Use on page **10**.

#### Hose Assembly:

- Remove the two Screws **8** from the Hose Clamp **13** using a 3.0 mm Allen Key. Remove the Hose Clamp and Clamp Insert 26 from the Protective Sleeve **27** and Hydraulic Hoses - Return **24** and Pull **25**.
- Using the small flat screwdriver prize the Handle Gator **7** from the handle of moulding **11** and **12**. Pull the Handle Gator over the Protective Sleeve **27**, Hydraulic Hoses-Return **24** and Pull **25** and remove.
- Using a 3.0 mm Allen Key (and 7.0 mm spanner on bottom nut) unscrew the four screws **20** holding handle mouldings **11** and **12** together and remove.

All numbers in bold refer to the General Assembly and Parts List on pages 18, 19 and 20.

\* Service Kit on page 13



- The trigger **6** is soldered to control cable. Remove this assembly from the handles **11** and **12**. The cable gland **22** is part of this assembly.
- Cut the Cable Tie **43** and slide back the Protective Sleeve **27** to expose the fittings on the Hydraulic Hoses **24** and **25**. The Hydraulic Hoses can be removed from the Body **1** using 12mm and 14mm spanners.
- The Quick Couplers - Male **9** and Female **10** can be removed from the Hydraulic Hoses **24** and **25** using 18mm and 24mm spanners.

**Assemble in reverse order to dismantling noting the following points:**

- Prior to assembly clean all threads on the Quick Couplers - Male **9** and Female **10** and the Hydraulic Hoses - Return **24** and Pull **25**. Then apply two to three layers of 10mm PTFE tape to the male threads on both of the Hydraulic Hoses.
- Once assembled, prime the tool as per the instructions on page 10.

### **5.8 PROTECTING THE ENVIRONMENT**

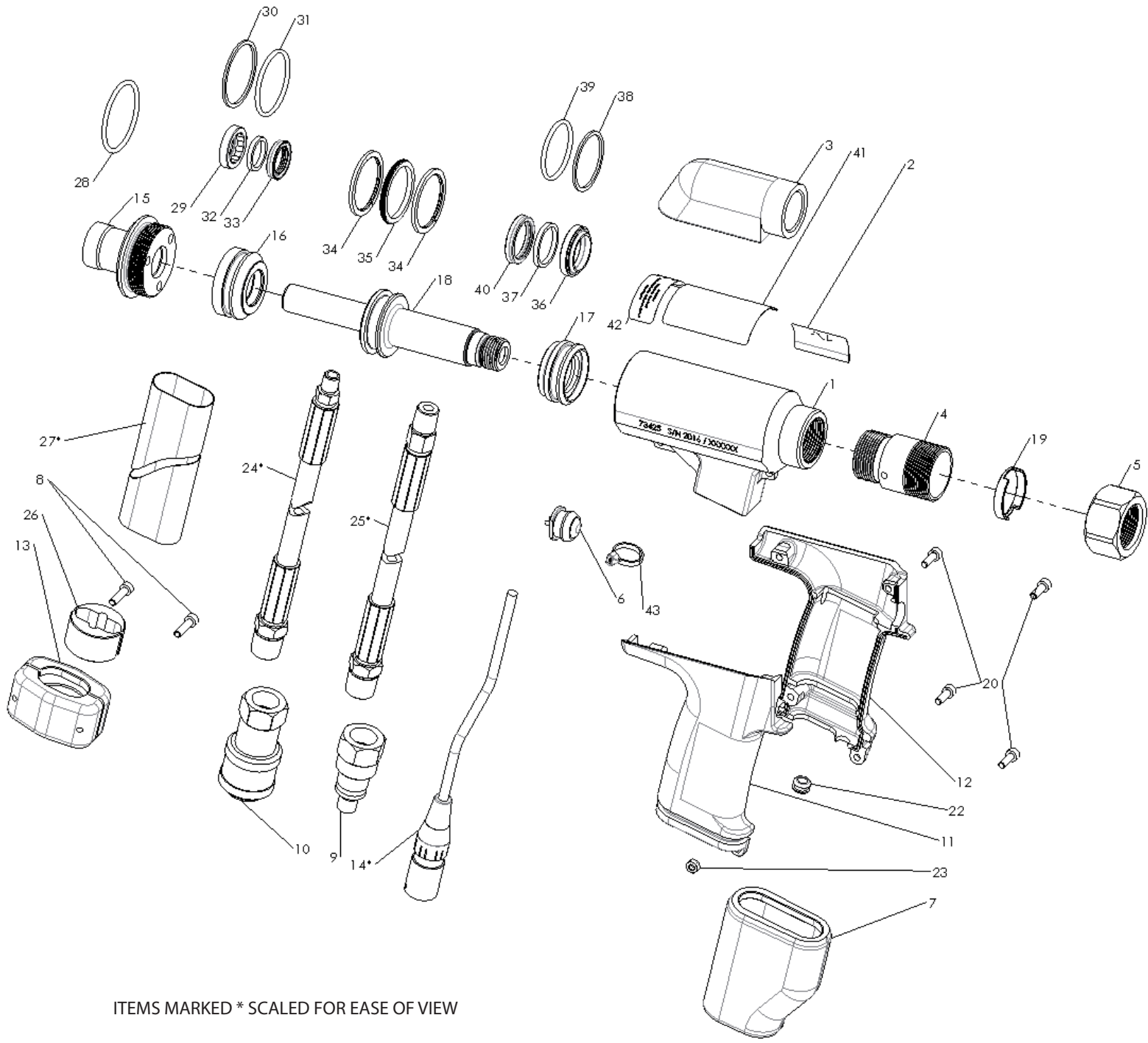
- Assure conformity with applicable disposal regulations. Dispose all waste products at an approved waste facility or site so as not to expose personnel and the environment to hazards.

All numbers in **bold** refer to the General Assembly and Part List on pages 18, 19 and 20.

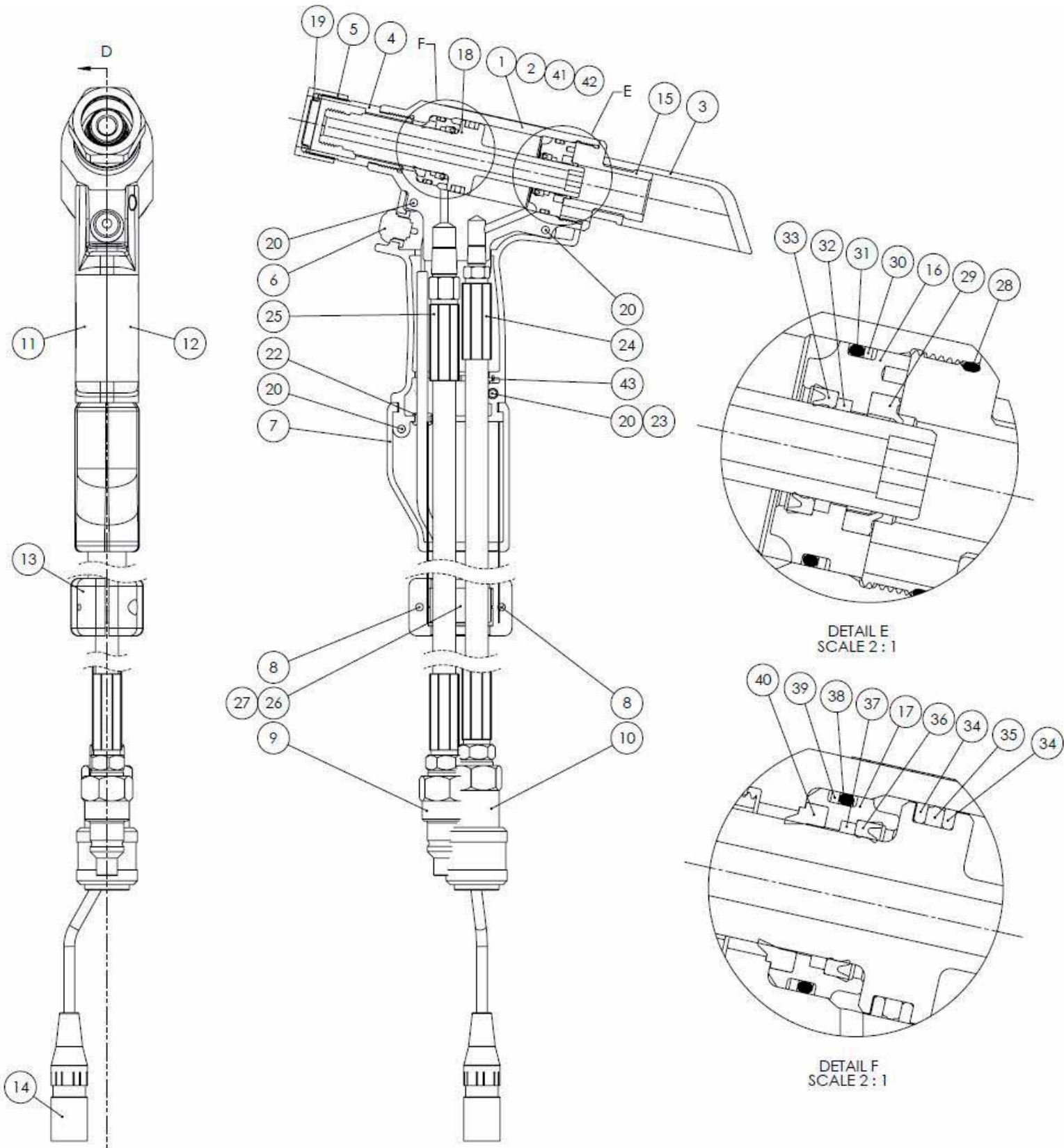
\* Service Kit on page 13.

# 6. GENERAL ASSEMBLY AND PART LIST

## 6.1 GENERAL ASSEMBLY



ITEMS MARKED \* SCALED FOR EASE OF VIEW



## 6.2 PARTS LIST

73425-02000 PARTS LIST			
ITEM No.	PART NUMBER	DESCRIPTION	QTY.
1	73425-02003	AV®5 Head	1
2	73425-02014	AV®5 Label	1
3	73200-02030	Deflector	1
4	73200-02041	Adaptor	1
5	73200-02042	Retaining Nut	1
6	73425-02013	Trigger Assembly	1
7	73430-02020	Handle Gator	1
8	07001-00686	M4 Socket Cap Screw	2
9	07005-10118	Quick Coupler - Male	1
10	07005-10120	Quick Coupler - Female	1
11	73425-02009	Handle Molding - Left	1
12	73425-02015	Handle Molding - Right	1
13	73430-02023	Hose Clamp	1
14	07007-02105	Control Cable	1
15	73425-02007	End Cap	1
16	73425-02006	Rear Seal Gland	1
17	73425-02005	Front Seal Gland	1
18	73425-02011	Head Piston	1
19	73200-02043	Adaptor Ring	1
20	07001-00688	M4 Socket Cap Screw	4
22	07007-02140	Rubber Grommet	1
23	07002-00134	M4 Nut	1
24	07005-10119	Hydraulic Hose - Return	1
25	07005-10117	Hydraulic Hose - Pull	1
26	73430-02024	Clamp Insert	1
27	07005-10121	Protective Sleeve	0.4m
28	07003-00308	O-Ring	1
29	07003-00442	Wiper Seal	1
30	07003-00527	Spiral Back-up Ring	1
31	07003-00526	O-Ring	1
32	73430-02010	Rear Bearing Ring	1
33	07003-00441	Rod Seal	1
34	07003-00521	Anti-Extrusion Ring	2
35	07003-00520	Piston Seal	1
36	07003-00523	Rod Seal	1
37	73200-03104	Bearing Ring	1
38	07003-00524	O-Ring	1
39	07003-00525	Spiral Back-up Ring	1
40	07003-00522	Wiper Seal	1
41	73425-02016	Safety Label	1
42	07007-01504	CE Label	1
43	07007-02032	Cable Tie	1

## 7. SAFETY DATA

### 7.1 Enerpac® HF HYDRAULIC OIL - SAFETY DATA

#### FIRST AID

##### SKIN:

Unlikely to cause harm to the skin on brief or occasional contact but prolonged or exposure may lead to dermatitis. Wash skin thoroughly with soap and water as soon as reasonably practicable. Remove heavily contaminated clothing and wash underlying skin.

##### ORAL:

Unlikely to cause harm if accidentally swallowed in small doses, though larger quantities may cause nausea and diarrhea. If contamination of the mouth occurs, wash out thoroughly with water. Except as a deliberate act, the ingestion of large amounts of product is unlikely. If it should occur, do not induce vomiting; obtain medical advice. Take person to nearest medical centre.

##### EYES:

Unlikely to cause more than transient stinging or redness if accidental eye contact occurs. Wash eyes thoroughly with copious quantities of water, ensuring eyelids are held open. Obtain medical advice if any pain or redness develops or persists.

##### MEDICAL ADVICE:

Treatment should in general be symptomatic and directed to relieving any effects.

##### Note: High Pressure Applications:

Injections through the skin, resulting from contact with the product at high pressure, constitute a major medical emergency. Injuries may not appear serious at first but within a few hours tissue becomes swollen, discolored and extremely painful with extensive subcutaneous necrosis.

Surgical exploration should be undertaken without delay. Thorough and extensive debridement of the wound and underlying tissue is necessary to minimize tissue loss and prevent or limit permanent damage. Note that high pressure may force the product considerable distances along tissue planes.

#### DISPOSAL

Remove all spills with inert absorbent material. Ventilate spill area. Place contaminated materials in a disposable container and dispose in a manner consistent with local regulations.

#### FIRE

FLASH POINT: 200°C.

Extinguish with either dry chemical, foam or carbon dioxide. Do not enter confined space without self contained breathing apparatus.

#### HANDLING

Use barrier cream or oil resistant gloves.

#### STORAGE

Undercover and consistent with local regulations for inflammable material.

### 7.2 MOLYLITHIUM GREASE EP 3753 - SAFETY DATA

Grease can be ordered as a single item, the part number is shown in the Service Kit page 12.

#### FIRST AID

##### SKIN:

As the grease is completely water resistant it is best removed with an approved emulsifying skin cleaner.

##### INGESTION:

Ensure the individual drinks 30ml Milk of Magnesia, preferably in a cup of milk.

##### EYES:

Irritant but not harmful. Irrigate with water and seek medical attention.

#### FIRE

FLASH POINT: Above 220°C.

Not classified as flammable.

Suitable extinguishing media: CO<sub>2</sub>, Halon or water spray if applied by an experienced operator.

#### ENVIRONMENT

Scrape up for incineration or disposal on approved site.

#### HANDLING

Use barrier cream or oil resistant gloves

#### STORAGE

Away from heat and oxidising agent.

**7.3 MOLYKOTE® 111 GREASE - SAFETY DATA**

Grease can be ordered as a single item, the part number is shown in the Service Kit page 12.

**FIRST AID****SKIN:**

No first aid should be needed.

**INGESTION:**

No first aid should be needed.

**EYES:**

No first aid should be needed.

**INHALATION:**

No first aid should be needed.

**FIRE**

FLASH POINT: Above 101.1°C. (closed cup)

Explosive Properties: No

Suitable Extinguishing Media: Carbon Dioxide Foam, Dry Powder or fine water spray. Water can be used to cool fire exposed containers.

**ENVIRONMENT**

No adverse effects are predicted.

**HANDLING**

General ventilation is recommended. Avoid eye contact.

**STORAGE**

Do not store with oxidizing agents. Keep container closed and store away from water or moisture.

## 8. FAULT DIAGNOSIS

SYMPTOM	POSSIBLE CAUSE	REMEDY	PAGE REF.
Placing Tool will not operate	Inoperative pump unit	Check pump power supply and refer to pump unit instruction manual	
	Faulty Quick Couplers <b>9</b> and <b>10</b>	Replace Quick Couplers	19
	Trigger Control Cable <b>14</b> not connected correctly	Check Control Cable is correctly connected at pump and placing tool	10
	Damaged Trigger Switch <b>6</b> or Control Cable <b>14</b>	Replace Trigger Switch and/or Control Cable	19
Trigger Switch <b>7</b> does not function	Pump in local mode	Refer to pump instruction manual	
	Trigger Switch <b>6</b> , Control Cable <b>14</b> or connector damaged	Replace Trigger Switch and/or Control Cable	19
Pump running but placing tools does not function	Hydraulic Hoses not connected	Check for correct connections at pump and placing tool	10
	Low oil level	Ensure placing tool is filled with oil and correctly primed Refer to pump instruction manual	10
	Placing tool external oil leak	Inspect placing tool – replace worn or damaged components	14 - 17
	Hose Assembly external oil leak	Inspect Hose Assembly – ensure hose connections are tight and/or replace damaged hose connectors	19
	Pump internal/external oil leak	Refer to pump instruction manual	
Placing tool operates erratically	Low or erratic hydraulic pressure supply	Refer to pump instruction manual	
	Worn or damaged hydraulic seals in placing tool	Inspect placing tool – replace worn or damaged seals	14 - 17
	Worn or damaged hydraulic sealing surfaces in placing tool	Inspect placing tool – replace worn or damaged components	14 - 17
	Pump internal/external oil leak	Refer to pump instruction manual	
Pump builds full pressure, but pintail does not break	Breakload greater than placing tool capacity at full pressure	Refer to placing tool specification	7
	Flow to placing tool blocked	Check Quick Couplers <b>9</b> and <b>10</b> for full engagement	10
	Pump pressure relief value set too low	Adjust pressure relief valve settings – refer to pump instruction manual	
	Pull grooves on fastener pintail stripped	See symptom on page 24	11
	Improper tool operation		11

SYMPTOM	POSSIBLE CAUSE	REMEDY	PAGE REF.
Placing tool Piston <b>1</b> will not return	Return flow restricted or blocked	Check Quick Couplers <b>9</b> and <b>10</b> for full engagement and/or fault	10
	Hydraulic Hoses not connected	Check for correct connections at pump and placing tool	10
	Pump valve malfunction	Refer to pump instruction manual	
Placing tool does not eject the collar from the anvil	Pump Return Timer setting incorrect – set too low	Adjust Return Timer to recommended setting – refer to pump instruction manual	
	Pump return pressure relief valve set too low	Adjust return pressure relief valve to correct setting – refer to pump instruction manual	
	Low or erratic hydraulic pressure supply	Refer to pump instruction manual	
	Worn or damaged hydraulic seals in placing tool	Inspect placing tool – replace worn or damaged seals	14 - 17
	Worn or damaged hydraulic sealing surfaces in placing tool	Inspect placing tool – replace worn or damaged components	14 - 17
	Pump internal/external oil leak	Refer to pump instruction manual	
Pull grooves on fastener pintail stripped during installation	Operator not pushing nose completely onto fastener pintail before operating tool	Instruct operator in correct installation method	11
	Incorrect fastener length / grip length	Use correct fastener	
	Worn or damaged jaw segments	Check and replace jaw set – refer to nose equipment datasheet	11
	Debris in jaw segments and/or pintail grooves	Clean jaw segments – refer to nose equipment datasheet	
	Excessive sheet gap	Close gap between sheets	11
Avdelok® or Avbolt® collar not fully swaged	Improper tool operation		11
	Worn Anvil bore	Check and replace Anvil – refer to nose equipment datasheet	
Pintail fails to release from nose equipment	Incorrect assembly of nose equipment	Refer to nose equipment datasheet	
Placing tool and Hydraulic oil runs hot	Restriction in hydraulic line	Check hydraulic Quick Couplers <b>9</b> and <b>10</b> and replace if necessary	19
	High ambient temperature		
Hydraulic Quick Couplers <b>9</b> and <b>10</b> leak oil	Worn O-Ring in body of Quick Coupler Male <b>9</b>	Replace O-Ring and Back-up Ring in Quick Coupler <b>9</b>	19

All numbers in **bold** refer to the General Assembly and Part List on pages 18, 19 and 20.

\* Service Kit on page 13.



## 9. EC DECLARATION OF CONFORMITY

We, **Stanley Engineered Fastening, Stanley House, Works Road, Letchworth Garden City, Hertfordshire, SG6 1JY UNITED KINGDOM**, declare under our sole responsibility that the product:

**Description:** HYDRO-ELECTRIC POWER TOOL

**Model:** AV<sup>®</sup> 5 STRUCTURAL TOOL – 73425-02000

to which this declaration relates is in conformity with the following harmonized standards:

ISO 12100:2010	EN ISO 3744:2010
EN ISO 11202:2010	EN ISO 11148-1:2011
EN ISO 4413:2010	EN ISO 20643:2008+A1:2012
EN ISO 4414:2010	ES100118-rev 17:2017
EN ISO 28927-5:2009+A1:2015	

Technical documentation is compiled in accordance with Annex 1, section 1.7.4.1, in accordance with the following Directive: **2006/42/EC The Machinery Directive** (Statutory Instruments 2008 No 1597 - The Supply of Machinery (Safety) Regulations refers).

The undersigned makes this declaration on behalf of STANLEY Engineered Fastening



**A. K. Seewraj**

**Director of Engineering, UK**

Avdel UK Limited, Stanley House, Works Road, Letchworth Garden City, Hertfordshire, SG6 1JY UNITED KINGDOM

**Place of Issue:** Letchworth Garden City, UK

**Date of Issue:** 24-08-2021

The undersigned is responsible for compilation of the technical file for products sold in the European Union and makes this declaration on behalf of Stanley Engineered Fastening.

**Matthias Appel**

**Team Leader Technical Documentation**

Stanley Engineered Fastening, Tucker GmbH, Max-Eyth-Str.1,  
35394 Gießen, Germany



**This machinery is in conformity with  
Machinery Directive 2006/42/EC**

**STANLEY**  
Engineered Fastening

## 10. UK DECLARATION OF CONFORMITY

We, **Stanley Engineered Fastening, Stanley House, Works Road, Letchworth Garden City, Hertfordshire, SG6 1JY UNITED KINGDOM**, declare under our sole responsibility that the product:

**Description:** **HYDRO-ELECTRIC POWER TOOL**

**Model:** **AV<sup>®</sup> 5 STRUCTURAL TOOL – 73425-02000**

to which this declaration relates is in conformity with the following designated standards:

ISO 12100:2010	EN ISO 3744:2010
EN ISO 11202:2010	EN ISO 11148-1:2011
EN ISO 4413:2010	EN ISO 20643:2008+A1:2012
EN ISO 4414:2010	ES100118-rev 17:2017
EN ISO 28927-5:2009+A1:2015	

Technical documentation is compiled in accordance with the Supply of Machinery (Safety) Regulations 2008, S.I. 2008/1597 (as amended).

The undersigned makes this declaration on behalf of STANLEY Engineered Fastening



**A. K. Seewraj**

**Director of Engineering, UK**

Avdel UK Limited, Stanley House, Works Road, Letchworth Garden City, Hertfordshire, SG6 1JY UNITED KINGDOM

**Place of Issue:** **Letchworth Garden City, UK**

**Date of Issue:** **24-08-2021**



This machinery is in conformity with  
Supply of Machinery (Safety) Regulations 2008,  
S.I. 2008/1597 (as amended)

## 11. PROTECT YOUR INVESTMENT!

### **Stanley® Engineered Fastening BLIND RIVET TOOL WARRANTY**

STANLEY® Engineered Fastening warrants that all power tools have been carefully manufactured and that they will be free from defect in material and workmanship under normal use and service for a period of one (1) year.

This warranty applies to the first time purchaser of the tool for original use only.

#### **Exclusions:**

##### **Normal wear and tear.**

Periodic maintenance, repair and replacement parts due to normal wear and tear are excluded from coverage.

##### **Abuse & Misuse.**

Defect or damage that results from improper operation, storage, misuse or abuse, accident or neglect, such as physical damage are excluded from coverage.

##### **Unauthorized Service or Modification.**

Defects or damages resulting from service, testing adjustment, installation, maintenance, alteration or modification in any way by anyone other than STANLEY® Engineered Fastening, or its authorized service centres, are excluded from coverage.

All other warranties, whether expressed or implied, including any warranties of merchantability or fitness for purpose are hereby excluded.

Should this tool fail to meet the warranty, promptly return the tool to our factory authorized service centre location nearest you. For a list of STANLEY® Engineered Fastening Authorized Service Centres in the US or Canada, contact us at our toll free number (877)364 2781.

Outside the US and Canada, visit our **website [www.StanleyEngineeredFastening.com](http://www.StanleyEngineeredFastening.com)** to find your nearest STANLEY Engineered Fastening location.

STANLEY Engineered Fastening will then replace, free of charge, any part or parts found by us to be defective due to faulty material or workmanship and return the tool prepaid. This represents our sole obligation under this warranty. In no event shall STANLEY Engineered Fastening be liable for any consequential or special damages arising out of the purchase or use of this tool.

#### **Register Your Blind Rivet Tool online.**

To register your warranty online, visit us at

<https://www.stanleyengineeredfastening.com/support/warranty-registration-form>

Thank you for choosing a STANLEY® Engineered Fastening's Stanley Assembly Technologies Brand tool.

©2021 par la marque STANLEY Black & Decker  
Tous droits réservés.





Les informations fournies ne peuvent être ni reproduites ni rendues publiques de quelque façon que ce soit et par quelque moyen que ce soit (électronique ou mécanique) sans autorisation préalable, expresse et écrite, de STANLEY Engineered Fastening. Les informations fournies sont issues des données connues au moment de la sortie de ce produit. STANLEY Engineered Fastening adopte une politique d'amélioration permanente de ses produits et ces derniers peuvent donc faire l'objet de modifications. Les informations fournies s'appliquent au produit tel que livré par STANLEY Engineered Fastening. Par conséquent, STANLEY Engineered Fastening ne saurait être tenu responsable des dommages résultant de différences avec les caractéristiques d'origine du produit.

Les informations disponibles ont été rédigées avec le plus grand soin. Toutefois, STANLEY Engineered Fastening rejette toute responsabilité concernant les éventuelles erreurs dans les informations et les conséquences qu'elles pourraient entraîner. STANLEY Engineered Fastening rejette toute responsabilité quant aux dommages résultant d'activités effectuées par des tiers. Les appellations, noms commerciaux, marques commerciales déposées, etc. utilisés par STANLEY Engineered Fastening ne sont pas libres de droit, conformément à la législation sur la protection des marques.

## INDHOLD

<b>1. DÉFINITIONS LIÉES À LA SÉCURITÉ.....</b>	<b>3</b>
1.1 RÈGLES DE SÉCURITÉ GÉNÉRALE.....	3
1.2 RISQUES DE PROJECTIONS .....	4
1.3 RISQUES LIÉS AU FONCTIONNEMENT.....	4
1.4 RISQUES LIÉS À LA RÉPÉTITION DES MOUVEMENTS.....	4
1.5 RISQUES LIÉS AUX ACCESSOIRES.....	4
1.6 RISQUES LIÉS AU POSTE DE TRAVAIL .....	4
1.7 RISQUES LIÉS AU BRUIT.....	5
1.8 RISQUES LIÉS AUX VIBRATIONS.....	5
1.9 CONSIGNES DE SÉCURITÉ SUPPLÉMENTAIRES PROPRES AUX OUTILS ÉLECTRIQUES HYDRAULIQUES.....	5
<b>2. CARACTÉRISTIQUES.....</b>	<b>6</b>
2.1 UTILISATION PRÉVUE.....	6
2.2 CARACTÉRISTIQUES DE L'OUTIL.....	6
2.3 DIMENSIONS DE L'OUTIL .....	7
<b>3. MISE EN SERVICE .....</b>	<b>8</b>
3.1 PRINCIPE DE FONCTIONNEMENT .....	8
3.2 PRÉPARATION POUR L'UTILISATION .....	9
<b>4. CONSIGNES D'UTILISATION .....</b>	<b>10</b>
4.1 POUR POSER UNE FIXATION AVBOLT®.....	10
4.2 POUR POSER UNE FIXATION AVDELOK®.....	10
4.3 POUR POSER UNE FIXATION NEOBOLT® .....	11

<b>5. REVISION DE L'OUTIL .....</b>	<b>12</b>
5.1 <i>ENTRETIEN JOURNALIER .....</i>	12
5.2 <i>ENTRETIEN HEBDOMADAIRE.....</i>	12
5.3 <i>RÉVISION ANNUELLE / TOUTES LES 250 000 UTILISATIONS.....</i>	12
5.4 <i>KIT DE RÉVISION .....</i>	12
5.5 <i>OUTILS POUR L'ENTRETIEN .....</i>	13
5.6 <i>HUILE HYDRAULIQUE.....</i>	13
5.7 <i>INSTRUCTIONS POUR LE DÉMONTAGE.....</i>	13
5.8 <i>PROTECTION DE L'ENVIRONNEMENT.....</i>	16
<b>6. PLAN D'ENSEMBLE ET NOMENCLATURE .....</b>	<b>17</b>
6.1 <i>PLAN D'ENSEMBLE.....</i>	17
6.2 <i>NOMENCLATURE.....</i>	19
<b>7. DONNÉES DE SÉCURITÉ .....</b>	<b>20</b>
7.1 <i>DONNÉES DE SÉCURITÉ - HUILE HYDRAULIQUE HF ENERPAC®.....</i>	20
7.2 <i>DONNÉES DE SÉCURITÉ - GRAISSE MOLYLITHIUM EP 3753 .....</i>	20
7.3 <i>DONNÉES DE SÉCURITÉ - GRAISSE Molykote® 111.....</i>	21
<b>8. DIAGNOSTIC DE PANNES .....</b>	<b>22</b>
<b>9. DÉCLARATION DE CONFORMITÉ CE.....</b>	<b>24</b>
<b>10. DÉCLARATION DE CONFORMITÉ ROYAUME-UNI .....</b>	<b>25</b>
<b>11. PROTÉGEZ VOTRE INVESTISSEMENT ! .....</b>	<b>26</b>

	Ce manuel d'utilisation doit être lu par toute personne installant ou utilisant cet outil, en portant une attention particulière aux consignes de sécurité qui suivent.
	Veillez à toujours porter une protection oculaire pouvant résister aux impacts lorsque vous utilisez l'outil. La classe de protection nécessaire doit être définie en fonction de chaque utilisation.
	L'utilisation de l'outil peut exposer les mains de l'opérateur à des risques dont l'écrasement, les coups, les coupures, les éraflures et la chaleur. Portez des gants adaptés pour protéger vos mains.
	Utilisez une protection auditive conformément aux instructions de votre employeur et telle que prescrite par la réglementation sur la santé et la sécurité au travail.

## 1. DÉFINITIONS LIÉES À LA SÉCURITÉ

Les définitions ci-dessous décrivent la gravité de chaque mention d'avertissement. Veillez à lire le manuel et à faire attention à ces symboles.



**DANGER** : Indique une situation de risque imminent, qui conduit, si elle n'est pas évitée, à la mort ou à de graves blessures.



**AVERTISSEMENT** : Indique une situation de risque potentiel, qui pourrait, si elle n'est pas évitée, conduire à la mort ou à de graves blessures.



**ATTENTION** : Indique une situation de risque potentiel qui peut, si elle n'est pas évitée, conduire à des blessures légères.



**ATTENTION** : L'utilisation de ce mot sans symbole d'avertissement indique une situation potentiellement risquée, qui peut, si elle n'est pas évitée, entraîner à des dégâts matériels.

**L'utilisation ou la maintenance incorrectes de ce produit peut conduire à de graves blessures et des dommages matériels.**

**Veillez à lire à bien comprendre tous les avertissements et toutes les instructions d'utilisation avant d'utiliser cet équipement. L'utilisation**

**d'outils électriques impose le respect des consignes de sécurité de base afin de réduire le risque de blessure.**

**CONSERVEZ TOUS LES AVERTISSEMENTS ET TOUTES LES CONSIGNES POUR POUVOIR VOUS Y RÉFÉRER DANS LE FUTUR.**

### 1.1 RÈGLES DE SÉCURITÉ GÉNÉRALE

- En raison des nombreux risques, veillez à lire et à assimiler les consignes de sécurité avant d'installer l'outil, de le faire fonctionner, de le réparer, d'en effectuer la maintenance et avant de remplacer un accessoire ou de travailler à proximité de l'outil. Le non-respect de cette consigne peut entraîner de graves blessures.
- L'installation, le réglage et l'utilisation de l'outil sont réservés aux seuls opérateurs, qualifiés et correctement formés.
- N'utilisez PAS l'outil à d'autres fins que l'utilisation prévue, à savoir, la pose de rivets aveugles STANLEY Engineered Fastening.
- N'utilisez que des pièces, fixations et accessoires, recommandés par le fabricant.
- NE modifiez PAS cet outil. Les modifications peuvent réduire l'efficacité des dispositifs de sécurité et augmenter les risques encourus par l'opérateur. Toute modification de l'outil réalisée par le client l'est sous sa propre et entière responsabilité et aura pour conséquence d'annuler toute garantie applicable.
- Ne jetez pas les consignes de sécurité ; transmettez-les à l'opérateur.
- N'utilisez pas l'outil s'il a été endommagé.
- Avant utilisation, contrôlez l'alignement et le raccordement des pièces mobiles, l'absence de rupture des pièces ainsi que toute autre condition qui pourrait affecter le fonctionnement de l'outil. En cas de dommage, faites réparer l'outil avant de l'utiliser. Retirez toutes les clés ou pinces de réglage avant l'utilisation.
- Les outils doivent être inspectés périodiquement afin de contrôler que les valeurs nominales et les marquages prescrits par la partie applicable de la norme ISO 11148 figurent lisiblement sur l'outil. L'employeur/l'utilisateur doit contacter le fabricant pour obtenir des étiquettes de marquage de rechange en cas de nécessité.
- L'outil doit en permanence être conservé en bon état de marche, l'absence de dommages et son bon fonctionnement doivent être vérifiés à intervalles réguliers par des personnes qualifiées. Les opérations de démontage sont réservées aux seuls personnes qualifiées. Ne démontez pas cet outil sans avoir au préalable consulté les instructions liées à la maintenance.

## 1.2 RISQUES DE PROJECTIONS

- Débranchez l'outil de la pompe hydraulique avant d'effectuer toute opération de maintenance, de réglage ou de fixer et de retirer l'embout de rivetage ou un accessoire.
- Gardez à l'esprit qu'une défaillance de l'ouvrage, des accessoires ou de l'outil lui-même peut engendrer des projections à grande vitesse.
- Veillez à toujours porter une protection oculaire pouvant résister aux impacts lorsque vous utilisez l'outil. La classe de protection nécessaire doit être définie en fonction de chaque utilisation.
- Il est également nécessaire, au même moment, de définir les risques possibles pour les tiers.
- Veillez à ce que l'ouvrage soit fixé de façon sûre.
- Contrôlez que les moyens de protection contre l'éjection des fixations et/ou des mandrins sont correctement en place et opérationnels.
- Restez vigilant par rapport la possible éjection forcée des mandrins par l'avant de l'outil.
- NE faites PAS fonctionner l'outil en le dirigeant vers quiconque.

## 1.3 RISQUES LIÉS AU FONCTIONNEMENT

- L'utilisation de l'outil peut exposer les mains de l'opérateur à des risques dont l'écrasement, les coups, les coupures, les éraflures et la chaleur. Portez des gants adaptés pour protéger vos mains.
- Les opérateurs et le personnel de maintenance doivent être physiquement capables d'appréhender le volume, le poids et la puissance de l'outil.
- Tenez correctement l'outil ; restez prêt à pouvoir contrer tous ses mouvements, normaux ou inattendus et gardez vos deux mains disponibles.
- Gardez les poignées de l'outil sèches, propres et exemptes d'huile ou de graisse.
- Conservez une posture équilibrée et gardez vos pieds bien ancrés au sol lorsque vous utilisez l'outil.
- Relâchez le dispositif de mise en marche/arrêt en cas de coupure de l'alimentation hydraulique.
- N'utilisez que les lubrifiants recommandés par le fabricant.
- Évitez tout contact avec le fluide hydraulique. Afin de minimiser le risque d'éventuelles irrptions cutanées, rincez abondamment en cas de contact.
- Les fiches de données de sécurité matière pour toutes les huiles et tous les lubrifiants hydrauliques sont disponibles sur demande auprès de votre fournisseur en outillage.
- Évitez toutes les postures inadaptées car elles ne permettent pas de contrer les mouvements normaux ou inattendus de l'outil.
- Si l'outil est installé sur un dispositif de suspension, veillez à ce qu'il soit correctement sécurisé.
- Gardez à l'esprit le risque d'écrasement ou de pincement si le nez n'est pas installé.
- N'utilisez PAS l'outil si le porte-nez n'est pas en place.
- Le dégagement des mains de l'utilisateur de l'outil est nécessaire avant l'intervention.
- Lorsque vous déplacez l'outil d'un endroit à un autre, gardez vos mains éloignées de la gâchette afin d'éviter un déclenchement accidentel.
- NE maltraitez PAS l'outil en le faisant tomber ou en vous en servant comme d'un marteau.
- Prenez soin de veiller à ce que les restes de mandrins ne créent pas de risque.

## 1.4 RISQUES LIÉS À LA RÉPÉTITION DES MOUVEMENTS

- En utilisant l'outil, il est possible que l'opérateur ressente un certain inconfort dans les mains, les bras, les épaules, le cou ou d'autres parties du corps.
- En utilisant l'outil, l'opérateur doit adopter une posture confortable mais sûre et éviter les maladresses et les déséquilibres. L'utilisateur doit changer de position au cours des longues opérations pour aider à éviter l'inconfort et la fatigue.
- Si l'opérateur présente des symptômes persistants et récurrents tels qu'un inconfort, des douleurs, des endolorissements, des picotements, des engourdissements, des sensations de brûlure ou des rigidités, n'ignorez pas ces signaux d'alerte. L'opérateur doit en référer à son employeur et consultez un professionnel de santé spécialisé.

## 1.5 RISQUES LIÉS AUX ACCESSOIRES

- Débranchez l'outil de l'alimentation hydraulique et de l'alimentation électrique avant d'installer ou de retirer l'embout de rivetage ou un accessoire.
- N'utilisez que des accessoires et des consommables de la taille et du type recommandés par le fabricant de l'outil. N'utilisez pas d'autres types ou tailles d'accessoires ou de consommables.

## 1.6 RISQUES LIÉS AU POSTE DE TRAVAIL

- Le glissages, les trébuchements et les chutes sont les causes principales des accidents de travail. Faites attention aux surfaces glissantes dues à l'utilisation de l'outil ainsi qu'aux risques de trébuchement que représentent les flexibles pneumatiques et hydrauliques.
- Faites preuve de vigilance dans les environnements inconnus. Ils peuvent présenter des risques cachés, comme les risques liés à l'électricité ou aux autres réseaux de fluides.

- L'outil n'est pas destiné à être utilisé dans des environnements potentiellement explosifs et il n'est pas isolé contre les contacts électriques.
- Assurez-vous de l'absence de câbles électriques, de conduites de gaz, etc. qui pourraient créer un risque s'ils sont endommagés par l'utilisation de l'outil.
- Portez des vêtements appropriés. Ne portez aucuns vêtements amples, ni bijoux. Gardez vos cheveux, vos vêtements et vos gants éloignés des pièces mobiles. Les vêtements amples, les bijoux et les cheveux longs peuvent se trouver pris dans les pièces mobiles.
- Prenez soin de veiller à ce que les restes de mandrins ne créent pas de risque.

### 1.7 RISQUES LIÉS AU BRUIT

- Toute exposition à des niveaux sonores élevés peut provoquer une perte de l'audition invalidante et permanente ainsi que d'autres problèmes tels que des acouphènes (tintements, bourdonnements, sifflements ou ronronnements dans les oreilles). C'est la raison pour laquelle, l'évaluation des risques et la mise en œuvre de contrôles adaptés à ces risques sont essentiels.
- Les contrôles adaptés pour réduire ces risques peuvent inclure des actions comme la mise en place de matériaux insonorisants pour empêcher les ouvrages de "résonner".
- Utilisez une protection auditive conformément aux instructions de votre employeur et telle que prescrite par la réglementation sur la santé et la sécurité au travail.
- Veillez à utiliser et à entretenir l'outil de la façon recommandée par la présente notice, afin d'empêcher l'augmentation inutile du niveau sonore.

### 1.8 RISQUES LIÉS AUX VIBRATIONS

- L'exposition aux vibrations peut engendrer des dommages invalidants sur les nerfs et la circulation sanguine au niveau des mains et des bras.
- Veillez à porter des vêtements chauds lorsque vous travaillez dans le froid et à garder vos mains au chaud et au sec.
- Si vous ressentez des engourdissements, des picotements, des douleurs ou que la peau de vos doigts et de vos mains blanchit, n'utilisez plus l'outil, avertissez votre employeur et consultez un médecin.
- Soutenez, autant que possible, le poids de l'outil à l'aide d'un support, d'un dispositif tenseur ou d'un balancier car ils permettent de tenir l'outil avec moins de force.

### 1.9 CONSIGNES DE SÉCURITÉ SUPPLÉMENTAIRES PROPRES AUX OUTILS ÉLECTRIQUES HYDRAULIQUES

- L'alimentation hydraulique de service ne doit pas dépasser 550 bars (8000 PSI).
- L'huile sous pression peut provoquer de graves blessures.
- N'installez pas de flexibles hydrauliques calibrés pour une pression de service inférieure à 700 bars (10 000 PSI) pour un débit de 2,73 l/min (200 in<sup>3</sup>/min).
- Ne laissez jamais l'outil en marche sans surveillance. Débranchez le flexible hydraulique et le câble électrique de la pompe lorsque l'outil n'est pas utilisé, avant de remplacer un accessoire ou pour effectuer des réparations.
- L'effet "coup de fouet" des flexibles peut occasionner de graves blessures. Contrôlez toujours l'absence de dommages et la bonne fixation des flexibles et des raccords.
- Avant l'utilisation, contrôlez l'absence de dommages sur les flexibles hydrauliques. Tous les raccords hydrauliques doivent être propres et parfaitement raccordés et serrés avant l'utilisation. Ne faites tomber aucun objet lourd sur les flexibles. Un choc brutal peut occasionner des dommages internes et conduire à la rupture prématurée du flexible.
- Si vous utilisez des raccords universels à tourner (raccords à griffes), des goupilles de blocage doivent être installées et des câbles de sécurité doivent être utilisés comme protection contre les "effets coup de fouet" en cas de défaillance des raccordements flexible/outil ou flexible/flexible.
- Ne soulevez PAS l'outil de pose par le flexible ou le câble électrique. Utilisez toujours la poignée de l'outil.
- Ne tirez PAS sur la pompe hydraulique et ne la déplacez pas en utilisant les flexibles. Utilisez toujours la poignée ou l'arceau de la pompe.
- Gardez le système hydraulique exempt de toute saleté ou corps étranger qui pourraient provoquer la panne de l'outil.
- Veillez à n'utiliser que de l'huile et du matériel propres pour le remplissage.
- Veillez à n'utiliser que des fluides hydrauliques préconisés.
- Les appareils électriques ont besoin que de l'air circule librement pour les refroidir et il doivent donc être placés dans une zone bien ventilée et exempte de fumées dangereuses.
- La température du fluide hydraulique au niveau de l'arrivée ne doit pas dépasser 110°C (230°F).

**La politique de STANLEY Engineered Fastening prévoit le développement et l'amélioration constants des produits et nous nous réservons le droit de modifier les caractéristiques techniques de tous les produits sans notification préalable.**



## 2. CARACTÉRISTIQUES

### 2.1 UTILISATION PRÉVUE

L'outil de pose AV<sup>®</sup>5 est principalement composé d'un ensemble piston et cylindre. Raccordé hydrauliquement et électriquement à une source d'alimentation hydraulique compatible et équipé d'un embout de rivetage adapté, il peut servir à poser des fixations Avdelok<sup>®</sup> 3/8", NeoBolt<sup>®</sup> 3/8", Avbolt<sup>®</sup> 5/16" et Avseal<sup>®</sup> Ø16mm dans les environnements industriels. L'outil de rivetage et la pompe hydraulique ne doivent être utilisés que conformément aux instructions d'utilisation pour la pose de rivets de structure Stanley Engineered Fastening.

Consultez le tableau ci-dessous pour obtenir la liste des fixations et embouts compatibles.

Consultez les fiches techniques mentionnées dans le tableau pour obtenir les instructions liées à l'embout rivetage approprié.

**NE l'utilisez PAS** dans des environnements humides ou en présence de liquides ou de gaz inflammables.

FIXATION		EMBOUT DE RIVETAGE			FICHE TECHNIQUE EMBOUT DE RIVETAGE
TYPE	TAILLE	NUMÉRO DE PIÈCE	DIM. "A"	DIM. "B"	NUMÉRO DE PIÈCE
AVBOLT <sup>®</sup>	1/4"	07220-07500	70 mm	19 mm	07900-00905
	5/16"	07220-07700	100 mm	27 mm	07900-00905
AVDELOK <sup>®</sup>	5/16"	07220-05600	130 mm	27 mm	
	3/8"	07220-02000	100 mm	27 mm	
AVSEAL <sup>®</sup> II	16 mm	07220-06800	100 mm	27 mm	07900-00840
AVTAINER <sup>®</sup>	3/8"	* 71230-15600	130 mm	23 mm	
MONOBOLT <sup>®</sup>	1/4"	* 71230-15800	130 mm	27 mm	
	3/8"	07220-07200	110 mm	27 mm	
NEOBOLT <sup>®</sup>	5/16"	73200-05000	100 mm	27 mm	07900-01071
	3/8"	73200-05100	100 mm	27 mm	07900-01071

Remarques :

Longueurs arrondies.

\* L'installation de l'adaptateur 07267-00800 est obligatoire pour que pouvoir installer cet embout de rivetage.

\* Embout de rivetage avec système de libération de la pince.

Consultez l'illustration de la page 8 pour pouvoir identifier les dimensions "A" et "B" de l'embout de rivetage.

Les consignes de sécurité doivent être respectées en permanence.

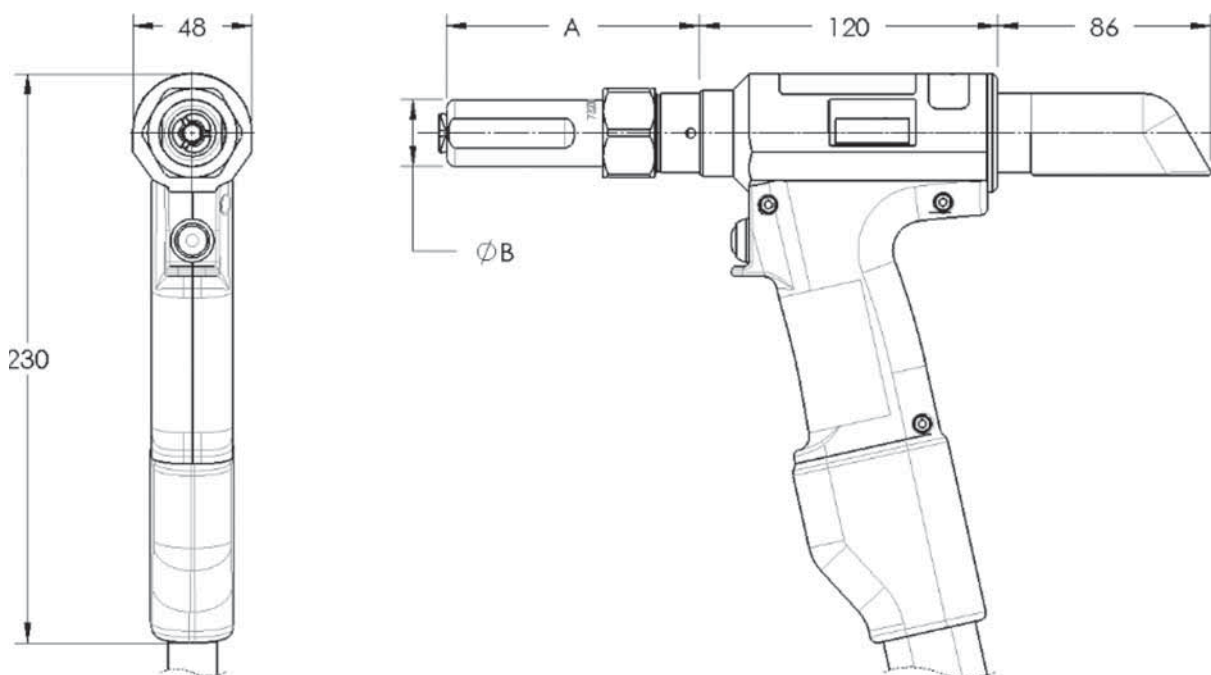
### 2.2 CARACTÉRISTIQUES DE L'OUTIL

CARACTÉRISTIQUES		MESURES MÉTRIQUES	MESURES IMPÉRIALES
Force :	Traction à la pression définie	36,0 kN	8992,4 lbf
	Extraction à la pression de retour définie	17,5 kN	3934,1 lbf
Pression :	Traction	510 bars	7396,9 lbf/in <sup>2</sup>
	Retour	200 bars	2900,7 lbf/in <sup>2</sup>
Course :	Course minimum du piston	30,0 mm	1,18 in
Poids :	Avec embout et tuyau	2,9 kg	6,4 lb
Huile hydraulique :	Huile hydraulique Enerpac - HF-95X	-	-
	Éjection du mandrin		Arrière
	Disposition du joint	Joints à lèvres jumelées et joints racleurs	
Caractéristiques supplémentaires :	Bagues de roulement hydrauliques	Oui, avant et arrière	
	Gaine de protection poignée/flexible		Oui
	Protection tuyau		Oui
	Systèmes de retenue tuyau/câble		Oui

Valeurs sonores définies conformément aux tests sonores de la norme ISO 15744 et ISO 3744.		AV5
Niveau de puissance sonore pondérée A dB(A), LWA	Incertitude bruit : kWA = 3,0 dB(A)	86,9 dB(A)
Niveau de pression sonore pondérée-A émise au poste de travail dB(A), LpA	Incertitude bruit : kpA = 3,0 dB(A)	75,9 dB(A)
Crête du niveau de pression sonore émis pondéré C dB(C), LpC, crête	Incertitude bruit : kpC = 3,0 dB(C)	81,1 dB(C)

Valeurs sonores déterminées selon le code de test au bruit des normes ISO 20643 et ISO 5349		AV5
Niveau des vibrations émises, ahd:	Incertitude pour les vibrations : k = 1,34 m/s <sup>2</sup>	2,69 m/s <sup>2</sup>
Valeurs des vibrations émises déclarées selon la norme EN 12096		

### 2.3 DIMENSIONS DE L'OUTIL



Toutes les dimensions sont indiquées en millimètres. L'illustration montre l'outil doté d'un embout de rivetage pour NeoBolt® 3/8". L'apparence de l'outil pour varier en fonction des différents embouts de rivetage installés.

Consultez le tableau de la page 7 pour pouvoir identifier les dimensions "A" et "B" de l'embout de rivetage.

L'outil est équipé de deux tuyaux hydrauliques et d'un câble de commande électrique de 0,6m de longueur. D'autres longueurs de flexibles hydrauliques et des rallonges de câble sont disponibles, à commander séparément selon les besoins. Consultez le tableau ci-dessous pour obtenir la liste des longueurs de flexible disponibles et les références correspondantes.

ENSEMBLE FLEXIBLE HYDRAULIQUE	
NUMÉRO DE PIÈCE	LONGUEUR DU FLEXIBLE
07008-00448	5 mètres
07008-00449	10 mètres
07008-00450	15 mètres

### 3. MISE EN SERVICE

#### 3.1 PRINCIPE DE FONCTIONNEMENT

**IMPORTANT - VEILLEZ À SOIGNEUSEMENT LIRE LES CONSIGNES DE SÉCURITÉ DES PAGES 4 à 6 ET LA NOTICE DE LA POMPE AVANT LA MISE EN SERVICE.**

Lorsque les flexibles et le câble de commande sont raccordés à la pompe hydraulique Avdel® / Enerpac®, les cycles de traction et de retour de l'outil sont contrôlés en enfonçant et en relâchant la gâchette située sur la poignée.

Lorsque l'interrupteur est enfoncé, l'électrovanne située dans la pompe hydraulique est alimentée et elle dirige le flux d'huile sous pression pour tirer le côté du piston dans l'outil de pose. Elle permet également à l'huile de retourner dans le réservoir côté retour de l'outil de pose.

Pendant le cycle de traction l'ensemble piston/pince se déplace vers l'arrière de l'outil en permettant au coussinet du joint torique de pousser le dispositif suiveur et les mâchoires vers l'avant. Lorsque la tige d'une fixation a été insérée dans l'embout de rivetage, les mâchoires se verrouillent sur l'extrémité de la tige et l'assemblage débute.

Avec les rivets Avbolt® et Avdelok®, le cycle de pose fixe d'abord la jonction à fixer puis, alors que l'enclume continue son déplacement vers l'avant, la collerette est écrasée dans les cannelures de blocage de la tige. À la fin du cycle d'écrasement, l'enclume entre en contact avec le point d'assemblage et, alors que le déplacement se poursuit, la queue de la tige est rompue.

L'interrupteur à gâchette doit immédiatement être relâché après la rupture de la tige. Le relâchement de l'interrupteur permet que l'électrovanne coupe l'alimentation et inverse le sens de circulation de l'huile sous pression.

Si la gâchette n'est pas relâchée, le piston de l'outil de pose continue son déplacement vers l'arrière de l'outil jusqu'à atteindre la fin de sa course. La pression, côté traction, augmente alors jusqu'à ce que la valeur "Pression haute" prédéfinie soit atteinte par la pompe. À ce stade, l'électrovanne est automatiquement désactivée et elle inverse la circulation de d'huile sous pression vers le côté retour de l'outil de pose.

Dans les deux cas, l'huile sous pression circule alors dans le côté retour de l'outil de pose, l'huile du côté traction retournant dans le réservoir.

Le mouvement vers l'avant de l'ensemble piston/collet éjecte la fixation installée de l'enclume.

Au moment où la gâchette est relâchée ou quand la valeur "Pression haute" est atteinte, l'alimentation de l'électrovanne est coupée et une "Minuterie Retour" à une valeur prédéfinie est activée. Celle-ci contrôle la durée de la poursuite du fonctionnement du moteur de la pompe avant le passage en mode Veille. Il est possible de régler manuellement la minuterie entre 5 et 20 secondes pour garantir que le piston de l'outil de pose revienne toujours complètement vers sa position avant (consultez la notice de la pompe 07900-01030, pages 10 et 13).

Une fois le piston complètement revenu à sa position avant, la pression augmente jusqu'à la valeur Basse pression définie - c200bar. Le moteur de la pompe continue à tourner jusqu'à la fin de la Minuterie Retour. Après ce délai, le moteur s'arrête automatiquement et la vanne passe en position d'attente. L'électrovanne effectue alors automatiquement un cycle pour libérer l'huile sous pression dans le réservoir, des côtés, traction et retour, de l'outil de pose.

Ceci permet de maintenir l'outil de pose en position avant. À ce stade, il n'y a aucune pression dans le système hydraulique.

Le pompe hydraulique démarre automatiquement quand l'interrupteur à gâchette de l'outil est enfoncé.

### 3.2 PRÉPARATION POUR L'UTILISATION

**ATTENTION - UNE PRESSION DE TRACTION ET DE RETOUR CORRECTE EST ESSENTIELLE AU BON FONCTIONNEMENT DE L'OUTIL. DES BLESSURES OU L'ENDOMMAGEMENT DE L'OUTIL PEUVENT ÊTRE OCCASIONNÉS SI LA PRESSION EST INCORRECTE. LA PRESSION DE TRACTION ET LA PRESSION DE RETOUR FOURNIES PAR LA POMPE HYDRAULIQUE NE DOIVENT PAS DÉPASSER LES PRESSIONS MENTIONNÉES DANS LES CARACTÉRISTIQUES DE L'OUTIL DE POSE.**

**IMPORTANT - AVANT DE METTRE EN SERVICE L'OUTIL DE POSE ET LES TUYAUX HYDRAULIQUES :**

**VEILLES À CE QUE LES SOUPAPES DE DÉTENTE DE LA POMPE SOIENT RÉGLÉES CONFORMÉMENT AUX INSTRUCTIONS RELATIVES À LA POMPE ET AUX PRESSIONS MAXIMALES INDIQUÉES POUR L'OUTIL DE POSE ET LES FLEXIBLES.**

**VEILLES À CE LE JEU DE FLEXIBLES SOIT AMORCÉ AVEC DU FLUIDE HYDRAULIQUE, CONFORMÉMENT À LA PROCÉDURE INDIQUÉE DANS LA NOTICE D'UTILISATION DE LA POMPE 07900-01030.**

- Veillez à ce que l'alimentation électrique de la pompe hydraulique soit coupée.
- Raccordez le raccord rapide du flexible hydraulique de l'outil de pose directement à la pompe avant de brancher le câble de commande électrique. Les flexibles et le câble de commande doivent être raccordés dans cet ordre et débranchés dans l'ordre inverse.
- Activez l'alimentation secteur de la pompe hydraulique électriquement. Attendez 5 secondes que la pompe termine sa séquence de démarrage avant d'appuyer sur l'interrupteur à gâchette. Une fois tous les réglages effectués, l'écran LCD de la pompe affiche "AVDEL".
- Pendant la séquence de démarrage, le système de commande de la pompe identifie tout actionnement de la gâchette comme un dysfonctionnement potentiel et il empêche alors le démarrage du moteur. L'écran LCD affiche alors "BUTTON FAULT (ERREUR BOUTON)" dans ce cas. Procédez à une réinitialisation en coupant l'alimentation électrique pendant 10 secondes.
- Veillez à ce que l'outil de pose se trouve sous les réservoirs de la pompe. Appuyez sur la gâchette de l'outil de pose et relâchez-la plusieurs fois, presque jusqu'en butée, pour faire circuler le fluide hydraulique et pour purger l'air de l'outil.
- Contrôlez l'action de l'outil. Vérifiez l'absence de fuite de fluide et contrôlez qu'en mode Attente, le piston se trouve complètement en position avant. L'outil de pose doit alors être amorcé.
- Coupez l'alimentation électrique de la pompe hydraulique et débranchez l'outil de pose de la pompe dans l'ordre inverse à celui décrit ci-dessus.
- Raccordez alors l'outil de pose aux flexibles hydrauliques amorcés et au câble de commande électrique. Raccordez ensuite les raccords rapides des flexibles hydrauliques et du câble de commande électrique à la pompe.
- Installez l'embout de rivetage sur l'outil en respectant les instructions mentionnées sur la fiche technique de l'embout de rivetage en question.
- Activez l'alimentation secteur de la pompe hydraulique, comme décrit ci-dessus.
- Appuyez sur la gâchette de l'outil de pose et relâchez-la plusieurs fois, presque jusqu'en butée, pour faire circuler le fluide hydraulique.
- L'outil de pose est alors prêt à l'emploi.

## 4. CONSIGNES D'UTILISATION

### 4.1 POUR POSER UNE FIXATION AVBOLT®

Pour obtenir plus de précisions sur cette fixation, consultez la fiche technique de l'embout de rivetage listée dans le tableau de la page 7. Les informations qui suivent ne sont qu'indicatives.

- Contrôlez l'ouvrage et supprimez tout jeu excessif. Le jeu représente l'espace entre les composants de l'assemblage. Le jeu est excessif si la queue de la tige dépassant de la collerette n'est pas assez grande pour être saisie par les mors de l'embout de rivetage).
- Placez une fixation Avbolt® dans le trou.
- Poussez l'embout de rivetage sur la tige jusqu'à ce que l'enclume de l'embout de rivetage bute contre la collerette. L'outil et l'embout de rivetage doivent être tenus à angle droit (90°) par rapport à l'ouvrage.
- Enfoncez la gâchette de l'outil pour lancer le cycle de pose.
- Relâchez la gâchette lorsque le déplacement de l'enclume de l'embout de rivetage vers l'avant cesse et que la queue de la tige se brise. L'outil effectue sa course de retour et il repousse la fixation posée. À la fin de la course de retour, les mors relâchent partiellement l'extrémité de la tige rompue, qui peut ainsi ensuite être poussée à travers les mors à la pose suivante et être éjectée par l'arrière de l'outil.
- Une fois la fixation posée éjectée, l'outil et l'embout de rivetage sont de nouveau prêts pour la pose suivante.

### 4.2 POUR POSER UNE FIXATION AVDELOK®

Pour obtenir plus de précisions sur cette fixation, consultez la fiche technique de l'embout de rivetage listée dans le tableau de la page 7. Les informations qui suivent ne sont qu'indicatives.

- Contrôlez l'ouvrage et supprimez tout jeu excessif. Le jeu représente l'espace entre les composants de l'assemblage. Le jeu est excessif si la queue de la tige dépassant de la collerette n'est pas assez grande pour être saisie par les mors de l'embout de rivetage).
- Placez une fixation Avdelok® dans le trou.
- Glissez une collerette Avdelok® sur la tige. (L'extrémité biseautée de la collerette doit pointer vers l'embout de rivetage et l'outil).
- Poussez l'embout de rivetage sur la tige jusqu'à ce que l'enclume de l'embout de rivetage bute contre la collerette. L'outil et l'embout de rivetage doivent être tenus à angle droit (90°) par rapport à l'ouvrage.
- Enfoncez la gâchette de l'outil pour lancer le cycle de pose.
- Relâchez la gâchette lorsque le déplacement de l'enclume de l'embout de rivetage vers l'avant cesse et que la queue de la tige se brise. L'outil effectue sa course de retour et il repousse la fixation posée. À la fin de la course de retour, les mors relâchent partiellement l'extrémité de la tige rompue, qui peut ainsi ensuite être poussée à travers les mors à la pose suivante et être éjectée par l'arrière de l'outil.
- Une fois la fixation posée éjectée, l'outil et l'embout de rivetage sont de nouveau prêts pour la pose suivante.

**ATTENTION - NE TENTEZ PAS DE BRISER UNE QUEUE DE TIGE SANS AVOIR INSTALLÉ DE COLLERETTE CAR CELA PROVOQUERAIT L'ÉJECTION DE LA PARTIE NON FIXÉE DE LA QUEUE DE LA TIGE AVDELOK® OU AVBOLT® DU NEZ À UNE TRÈS GRANDE VITESSE ET AVEC BEAUCOUP DE FORCE.**

### 4.3 POUR POSER UNE FIXATION NEOBOLT®

Pour obtenir plus de précisions sur cette fixation, consultez la fiche technique de l'embout de rivetage listée dans le tableau de la page 7. Les informations qui suivent ne sont qu'indicatives.

- Placez le queue de la tige NeoBolt® dans le trou et enfoncez la complètement à travers toutes les couches de l'assemblage.
- Installez une collerette NeoBolt® sur la queue de la tige (l'extrémité avec embase de la collerette doit être le plus près possible de l'ouvrage) et tournez dans le sens des aiguilles d'une montre d'au moins un demi-tour pour engager la collerette sur le filetage de la tige.
- Poussez complètement la collerette sur la queue de traction de la tige jusqu'à complètement recouvrir la rainure de traction de la **tige NeoBolt®** et jusqu'à ce que la queue de traction soit en contact avec la butée de la collerette. L'outil de pose doit être tenu perpendiculaire (90°) par rapport à la surface de l'ouvrage.
- Maintenez enfoncée la gâchette de l'outil pour lancer le cycle de pose. La collerette agrippe la queue de la **tige NeoBolt®** et l'enclume est tirée vers le haut contre la collerette.
- Maintenez la gâchette enfoncée jusqu'à ce que la collerette soit complètement enfoncée et que le déplacement de l'enclume vers l'avant s'arrête contre l'embase de la collerette. Le piston de l'outil de pose et le collet reviennent ensuite automatiquement pour repousser l'enclume de la collerette installée et libérer la queue de la tige du collet.
- Relâchez la gâchette.
- Une fois la fixation posée éjectée de l'enclume, l'outil de pose, l'embout de rivetage et la pompe sont de nouveau prêts pour la pose suivante.

**ATTENTION - Ne relâchez pas la gâchette avant que le cycle de l'outil de pose ne soit terminé et que la pompe et l'outil soient automatiquement passés au cycle Retour. Relâcher la gâchette avant aura pour conséquence la pose incorrecte et partielle de la fixation NeoBolt®.**

## 5. REVISION DE L'OUTIL

**IMPORTANT - VEILLEZ À LIRE LES CONSIGNES DE SÉCURITÉ DES PAGES 4 À 6. L'EMPLOYEUR EST CHARGÉ DE GARANTIR QUE LES INSTRUCTIONS DE MAINTENANCE DE L'OUTIL SONT TRANSMISES AU PERSONNEL CONCERNÉ. L'UTILISATEUR NE DOIT PAS PRENDRE PART À LA MAINTENANCE OU À LA RÉPARATION DE L'OUTIL À MOINS D'AVOIR ÉTÉ CORRECTEMENT FORMÉ POUR. L'OUTIL DOIT ÊTRE RÉGULIÈREMENT EXAMINÉ POUR CONTRÔLER L'ABSENCE DE DOMMAGE OU DE DYSFONCTIONNEMENT.**

### 5.1 ENTRETIEN JOURNALIER

- Contrôlez l'absence de fuites d'huile sur l'outil de pose, les flexibles et les raccords rapides.
- Les flexibles et les raccords usés ou endommagés doivent être remplacés.
- Contrôlez que la course de l'outil correspond bien aux recommandations.
- Contrôlez que le bouchon d'extrémité est correctement et fermement installé sur le corps du AV<sup>®</sup>5.
- Contrôlez que le déflecteur de tige est correctement installé.
- Contrôlez que la soupape de détente pour la traction/déplacement de la pompe fonctionne correctement.
- Contrôlez que l'embout est adapté au rivet à poser et qu'il est correctement installé.
- Contrôlez l'usure de l'enclume par les éventuelles traces d'entailles sur la collerette installée. Cela peut également être déterminé en consultant les données d'installation dans le catalogue des fixations. Une usure excessive peut entraîner la rupture de l'enclume.

### 5.2 ENTRETIEN HEBDOMADAIRE

- Démontez et nettoyez l'embout de rivetage et notamment les mâchoires, comme indiqué dans la fiche technique de l'embout de rivetage correspondant.
- Contrôlez l'absence de fuites d'huile sur l'outil de pose, les flexibles et les raccords rapides.

**ATTENTION - N'utilisez jamais de solvants ou d'autres produits chimiques décapants pour nettoyer les pièces non métalliques de l'outil. Ces produits chimiques pourraient attaquer la matière de ces pièces.**

### 5.3 RÉVISION ANNUELLE / TOUTES LES 250 000 UTILISATIONS

- Tous les ans ou tous les 250 000 cycles, au premier des deux termes échus, l'outil doit être complètement démonté et tous les composants usés, endommagés ou dont le remplacement est recommandé, doivent alors être remplacés. Tous les joints toriques, bagues d'appui et joints d'étanchéité doivent être remplacés et lubrifiés avec de la graisse MolyKote<sup>®</sup> 111 avant le remontage.

### 5.4 KIT DE RÉVISION

Le kit de révision suivant est proposé pour procéder à un entretien complet :

KIT DE RÉVISION : 73425-99990			
NUMÉRO DE PIÈCE	DÉSIGNATION	NUMÉRO DE PIÈCE	DÉSIGNATION
07005-10118	Raccord rapide– Mâle	07900-01103	AV <sup>®</sup> 5 Douille de guidage Piston
07005-10120	Raccord rapide– Femelle	07900-01104	AV <sup>®</sup> 5 Bouchon d'extrémité Outil de pose
07900-00043	AV <sup>®</sup> 5 Masselotte Piston – Avant AV <sup>®</sup> 5	07992-00020	Graisse – MolyLithium EP3753
07900-01101	Masselotte piston – Arrière	07900-00755	Graisse – Molykote <sup>®</sup> 111
07900-01102	AV <sup>®</sup> 5 Tige de guidage fouloir avant	07900-00756	Frein de filet Loctite 243
		07002-00478	Cache vissé HD douille M4 X 20

## 5.5 OUTILS POUR L'ENTRETIEN

Les outils classiques suivants sont également nécessaires :

- Clé Allen : 2,0 / 3,0 mm
- Clé plate : 12 / 14 / 18 / 24 / 45 mm A/F
- Ruban PTFE : 10 mm
- Étau d'ingénieur avec protège mâchoires – 150 mm

## 5.6 HUILE HYDRAULIQUE

**ATTENTION – N'utilisez que de l'huile hydraulique Enerpac® HF. L'utilisation d'une autre huile pourrait provoquer le dysfonctionnement de l'outil de pose et de la pompe en plus d'annuler la garantie de l'outil de pose.**

L'huile hydraulique est disponible sur commande avec les numéros de pièces qui suivent.

HUILE HYDRAULIQUE			
NUMÉRO DE PIÈCE	07992-00081	07992-00082	07992-00083
N° de pièce Enerpac®	HF-95X	HF-95Y	HF-95T
Volume	1 litre	5 litres	20 litres
Viscosité	32 mm <sup>2</sup> /s	32 mm <sup>2</sup> /s	32 mm <sup>2</sup> /s

## 5.7 INSTRUCTIONS POUR LE DÉMONTAGE

**IMPORTANT - VÉRIFIEZ QUE L'ALIMENTATION ÉLECTRIQUE DE LA POMPE HYDRAULIQUE EST COUPÉE AVANT DE RETIRER L'EMBOÛT DE RIVETAGE OU DE DÉMONTÉ L'OUTIL DE POSE.**

**Avant le démontage :**

- Débranchez les raccords rapides **9** et **10** et le câble de commande électrique **14** entre l'outil de rivetage et l'ensemble Flexible hydraulique.
- Retirez l'embout de rivetage de l'outil de pose en respectant les instructions mentionnées sur la fiche technique de l'embout de rivetage concerné.
- Les substances potentiellement dangereuses qui peuvent se déposer sur la machine lors des processus de travail doivent être nettoyées avant de procéder à la maintenance.

Pour l'entretien complet de l'outil, nous vous conseillons de procéder au démontage d'outil en respectant l'ordre indiqué dans les pages **14** à **17**. Après le démontage de l'outil, nous vous conseillons de remplacer tous les joints d'étanchéité.

**Ensemble Tête de piston :**

- Retirez le déflecteur **3** du bouchon d'extrémité **15**.
- Fixez la poignée de l'outil dans un étau à mâchoires souples, nez de l'outil vers le bas. Insérez les goupilles de \*l'ensemble bouchon d'extrémité dans les trois trous du bouchon d'extrémité **15**.
- À l'aide d'une clé A/F 45 mm, dévissez et retirez le bouchon d'extrémité **15**, du corps **1**.
- À l'aide d'un petit tournevis plat, retirez le joint torique **28** du bouchon d'extrémité **15** et jetez-le.
- Raccordez le \*raccord rapide mâle en surplus au raccord rapide femelle **10** sur le flexible hydraulique côté retour **24**. Cela permet de libérer la pression côté Retour du piston **18** et de faciliter le retrait du fouloir arrière **16**.  
Remarque : De l'huile hydraulique est expulsée du raccord rapide mâle en surplus.
- Insérez trois vis M4 dans le fouloir arrière **16** et utilisez les pour tirer la pièce hors de l'axe arrière du piston **18** et hors du corps **1**.
- À l'aide d'un petit tournevis plat ou d'un outil similaire, retirez le joint torique **31** et la bague d'appui en spirale **30**, de la rainure extérieure du fouloir arrière **16** et jetez-les. En retirant les joints, veillez à ne pas endommager la surface du fouloir arrière avec le tournevis.
- Retirez le joint de la tige **29** et le joint racléur **33** des rainures à l'intérieur du fouloir arrière **16** et jetez-les. En retirant les joints, veillez à ne pas endommager la surface du fouloir arrière avec le tournevis.



- Retirez la bague de roulement arrière **32** et contrôlez l'absence d'usure et de dommages sur la pièce. Jetez-la si nécessaire.
- Retirez l'outil de pose de l'étau et videz l'huile hydraulique par l'arrière de l'outil. Retirez le \*raccord rapide mâle du raccord rapide femelle **10** sur le flexible hydraulique côté retour **24**.

Tous les chiffres en gras font référence au plan d'ensemble et à la nomenclature des pages 18, 19 et 20.

- \* Kit de révision page 13.
- Raccordez le \*raccord rapide en surplus femelle au raccord rapide mâle **9** sur le flexible hydraulique côté traction **25**. Cela permet de libérer la pression côté traction du piston **18** et de faciliter le retrait du piston. Remarque : L'huile hydraulique est expulsée du raccord rapide femelle en surplus.
- Vissez le \*cylindre du piston avant à l'avant du piston **18**.
- Posez le corps **1** nez vers le haut sur un établi. À l'aide d'un maillet souple, frappez le piston **18** vers l'arrière du corps et hors de l'extrémité arrière, en veillant à ne pas endommager l'alésage du corps.
- Gardez à l'esprit qu'au moment du retrait du piston **18**, il est possible que l'huile côté traction du piston **18** fuit par l'avant et l'arrière du corps **1**.
- Au moment du retrait du piston **18**, il est possible que le fouloir avant **17** reste coincé sur la tige du piston. Si cela arrive, dévissez la \*masselotte du piston avant et sortez le fouloir avant du piston.
- • À l'aide d'un petit tournevis plat retirez le joint du piston **35** et les deux bagues anti-extrusion **34**, de la rainure extérieure du piston **18** et jetez-les. En retirant les joints, veillez à ne pas endommager la surface du piston avec le tournevis.
- Si le fouloir avant **17** est toujours coincé dans le corps **1**. Placez le corps, nez vers le haut, sur un établi et poussez le fouloir avant par l'avant jusqu'à ce qu'il soit libéré du renforcement dans le corps. Le fouloir avant peut ensuite être retiré de l'extrémité arrière du corps. Veillez à ne pas endommager l'alésage dans le corps pendant l'intervention.
- À l'aide d'un petit tournevis plat retirez le joint torique **38** et la bague d'appui en spirale **39** de la rainure extérieure du fouloir avant **17** et jetez-les. En retirant les joints, veillez à ne pas endommager la surface la garniture du joint avant avec le tournevis.
- Retirez le joint de la tige **36** et le joint racleur **40** des rainures à l'intérieur du fouloir avant **17** et jetez-les. En retirant les joints, veillez à ne pas endommager la surface la garniture du joint avant avec le tournevis.
- Retirez la bague de roulement avant **37** et contrôlez l'absence d'usure et de dommages sur la pièce. Jetez-la si nécessaire.
- Retirez le \*raccord rapide femelle en surplus du raccord rapide mâle **9** sur le flexible hydraulique côté traction **25**.

#### Ré-assemblez en inversant les instructions de démontage et en respectant les points suivants :

- Nettoyez tous les composants avant de les assembler.
- Afin de faciliter l'installation des joints, appliquez une fine couche de graisse Molykote® 111 sur tous les joints, rainures, bagues d'appui et outils de montage.
- Glissez le joint torique **38** par-dessus le fouloir avant **17** et dans la rainure extérieure. Insérez la bague d'appui en spirale **39** dans la même rainure, devant le joint torique déjà en place. Consultez le plan d'ensemble et la nomenclature pour savoir dans quel sens installer le joint torique et la bague d'appui en spirale.
- Enfoncez la bague de roulement avant **36** dans le renforcement à l'intérieur du fouloir avant **17** puis installez le joint de la tige **36** derrière la bague de roulement avant. Installez le joint racleur **40** dans le renforcement à l'avant du fouloir avant. Consultez le plan d'ensemble pour être sûr du sens dans lequel installer le joint de la tige et le joint racleur.
- Lubrifiez la surface et le bord d'attaque de l'alésage du corps **2** dans lequel le fouloir avant **17** sera installé avec de la graisse Molykote® 111.
- Lubrifiez l'embout de \*l'outil de guidage du fouloir avant puis installez parfaitement le fouloir avant **17**, le joint de tige **36**, extrémité en premier, sur l'embout. Insérez la \*tige de guidage du fouloir avant à l'arrière du corps **1** puis poussez complètement le fouloir avant dans l'alésage à l'intérieur du corps. Une force raisonnable est nécessaire pour insérer complètement le fouloir avant dans le corps, l'utilisation d'une presse ou d'un étau peut

donc être nécessaire. Retirez la \*tige de guidage du fouloir avant en veillant à ce que le fouloir avant reste en place.

- Lubrifiez la rainure du joint et le pourtour extérieur du piston **18** avec de la graisse Molykote® 111. Glissez le joint du piston **35** sur l'avant du périmètre extérieur du piston et à l'intérieur de la rainure du joint. Installez deux bagues anti-extrusion **34** dans la rainure du joint du piston, une de chaque côté du joint du piston.
- Vissez la \*masselotte du piston avant à l'avant du piston **18**. Lubrifiez la \*masselotte du piston avant, la tige du piston et le joint du piston **35** avec de la graisse Molykote® 111.

Tous les chiffres en gras font référence au plan d'ensemble et à la nomenclature des pages 18, 19 et 20.

\* Kit de révision page 13.

- Vissez le \*manchon de guidage du piston dans le corps **1** par l'arrière. Lubrifiez les alésages du corps et du \*manchon de guidage du piston avec de la graisse Molykote® 111.
- Raccordez le \*raccord rapide en surplus femelle au raccord rapide mâle **9** sur le flexible hydraulique côté traction **25**. Cela permet de libérer l'air du piston côté traction **18** au moment de l'insertion du piston.
- Insérez le piston assemblé **18** dans le corps **1** par l'arrière et à travers le fouloir assemblé **17**. Poussez complètement le piston vers l'avant jusqu'à ce qu'il butte contre le fouloir avant. Il est possible que de l'huile hydraulique ressorte du flexible hydraulique côté traction **25**.
- Retirez le \*raccord rapide femelle en surplus du raccord rapide mâle **9** sur le flexible hydraulique côté traction **25**. Retirez le \*manchon de guidage du piston du corps **1** par l'arrière.
- Glissez le joint torique **31** par-dessus le fouloir avant **16** et dans la rainure extérieure. Insérez la bague d'appui en spirale **30** dans la même rainure, derrière le joint torique déjà en place. Consultez le plan d'ensemble et la nomenclature pour savoir dans quel sens installer le joint torique et la bague d'appui en spirale.
- Enfoncez la bague de roulement avant **32** dans le renforcement à l'intérieur du fouloir avant **16** puis installez le joint de la tige **29** derrière la bague de roulement avant. Installez le joint racleur **33** dans le renforcement à l'arrière du fouloir avant. Consultez le plan d'ensemble pour être sûr du sens dans lequel installer le joint de la tige et le joint racleur.
- Fixez la poignée de l'outil dans un étau à mâchoires souples, nez de l'outil vers le bas.
- Lubrifiez la surface et le bord d'attaque de l'alésage du corps **1** dans lequel le fouloir avant **16** sera installé avec de la graisse Molykote® 111. Lubrifiez la tige du piston **18** arrière avec de la graisse Molykote® 111.
- Insérez la \*masselotte du piston arrière dans la tige du piston **18** arrière et lubrifiez avec de la graisse Molykote® 111.
- Remplissez l'arrière du corps **1** avec de l'huile hydraulique Enerpac® HF. Le niveau d'huile doit se trouver juste au-dessus de l'alésage d'entrée à l'arrière du corps.
- Raccordez le \*raccord rapide mâle en surplus au raccord rapide femelle **10** sur le flexible hydraulique côté retour **24**. Cela permet de libérer l'air du piston **18** côté retour au moment de l'insertion du fouloir arrière **16**. Remarque : Il se peut que l'huile hydraulique soit expulsée du raccord rapide femelle en surplus.
- Positionnez le fouloir arrière **16** par-dessus la masselotte du piston arrière. Poussez ensuite le fouloir arrière par-dessus la tige du piston **18** et dans l'arrière du corps **1**. Poussez le fouloir arrière dans le corps jusqu'à ce que quelques filets ressortent de l'arrière de corps. Veillez à ne pas endommager le joint torique **31** et la bague d'appui en spirale **30** sur le filetage en insérant le fouloir arrière.
- Lubrifiez à la fois le filetage intérieur du corps **1** et le filetage extérieur du bouchon d'extrémité **15** avec de la graisse MolyLithium.
- Vissez complètement le bouchon d'extrémité **15** à l'arrière du corps **1** à l'aide de \*l'outil de montage pour le bouchon d'extrémité. En faisant cela, le fouloir arrière **16** est comprimé en position dans le corps **1** et une petite quantité d'huile est expulsée du flexible hydraulique, côté retour **24**.
- Retirez le \*raccord rapide mâle du raccord rapide femelle **11** sur le flexible hydraulique côté retour **24**.
- Poussez le déflecteur **3** sur le bouchon d'extrémité **15**.
- Amorcez l'outil de pose tel que décrit sur la page **10**, Préparation pour l'utilisation.

**Installation des flexibles :**

- Retirez les deux vis **8** du collier de serrage **13** à l'aide d'un clé Allen de 3,0 mm. Retirez le collier de serrage et l'insert de fixation 26 du manchon de protection **27** et les flexibles hydrauliques côté retour **24** et traction **25**.
- À l'aide d'un petit tournevis plat sortez la poignée Gator **7** des moulures de la poignée **11 12**. Tirez la poignée Gator par-dessus le manchon de protection **27**, les flexibles hydrauliques côté retour **24** et traction **25** et retirez-la.
- • À l'aide d'une clé Allen de 3,0 mm (et d'une clé de 7,0 mm sur l'écrou de bas), dévissez les quatre vis **20** qui tiennent les moulures de la poignée **11** et **12** ensemble et retirez-les.

Tous les chiffres en gras font référence au plan d'ensemble et à la nomenclature des pages 18, 19 et 20.

\* Kit de révision page 13.

- La gâchette **6** est soudée au câble de commande. Retirez cet ensemble des poignées **11** et **12**. Le presse-étoupe **22** fait partie de cet ensemble.
- Coupez le serre-câble **43** et reglissez le manchon de protection **27** pour mettre à nu les raccords des flexibles hydrauliques **24** et **25**. Les flexibles hydrauliques peuvent être retirés du corps **1** à l'aide de clés de 12 mm et de 14 mm.
- Les raccords rapides, mâle **9** et femelle **10** peuvent être retirés des flexibles hydrauliques **24** et **25** à l'aide de clés de 18mm et 24mm.

**Ré-assemblez en inversant les instructions de démontage et en respectant les points suivants :**

- Avant l'assemblage, nettoyez tous les filetages des raccords rapides, mâle **9** et femelle **10** et des flexibles hydrauliques côté Retour **24** et Traction **25**. Appliquez ensuite deux ou trois couches de ruban PTFE 10mm sur le filetage mâle des deux flexibles hydrauliques.
- Une fois l'assemblage terminé, amorcez l'outil en respectant les instruction de la page 10.

**5.8 PROTECTION DE L'ENVIRONNEMENT**

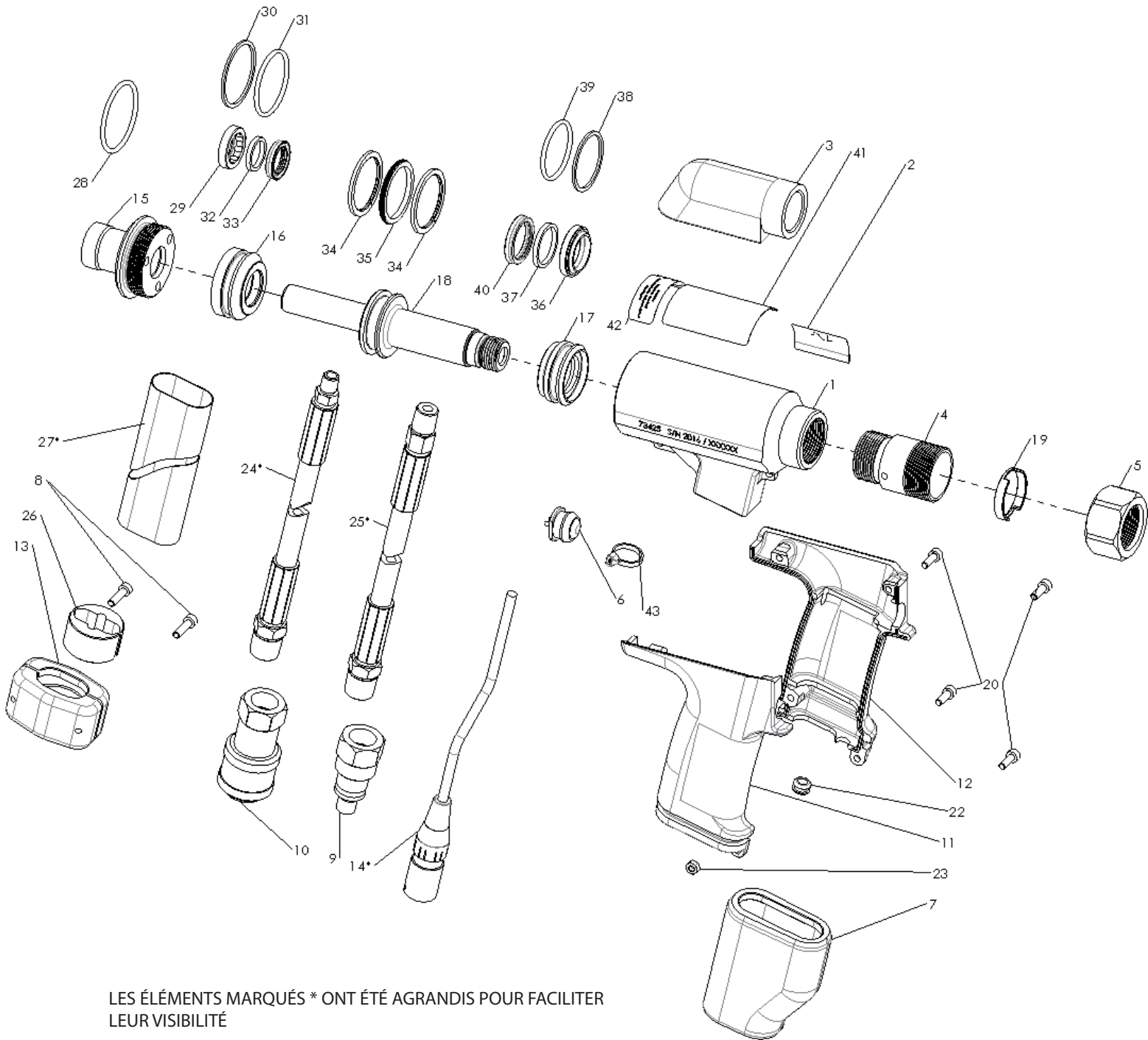
- Veillez à respecter toutes les dispositions des réglementations en vigueur. Jetez tous les déchets dans une centre de déchets agréé afin de ne pas exposer le personnel et l'environnement à des risques.

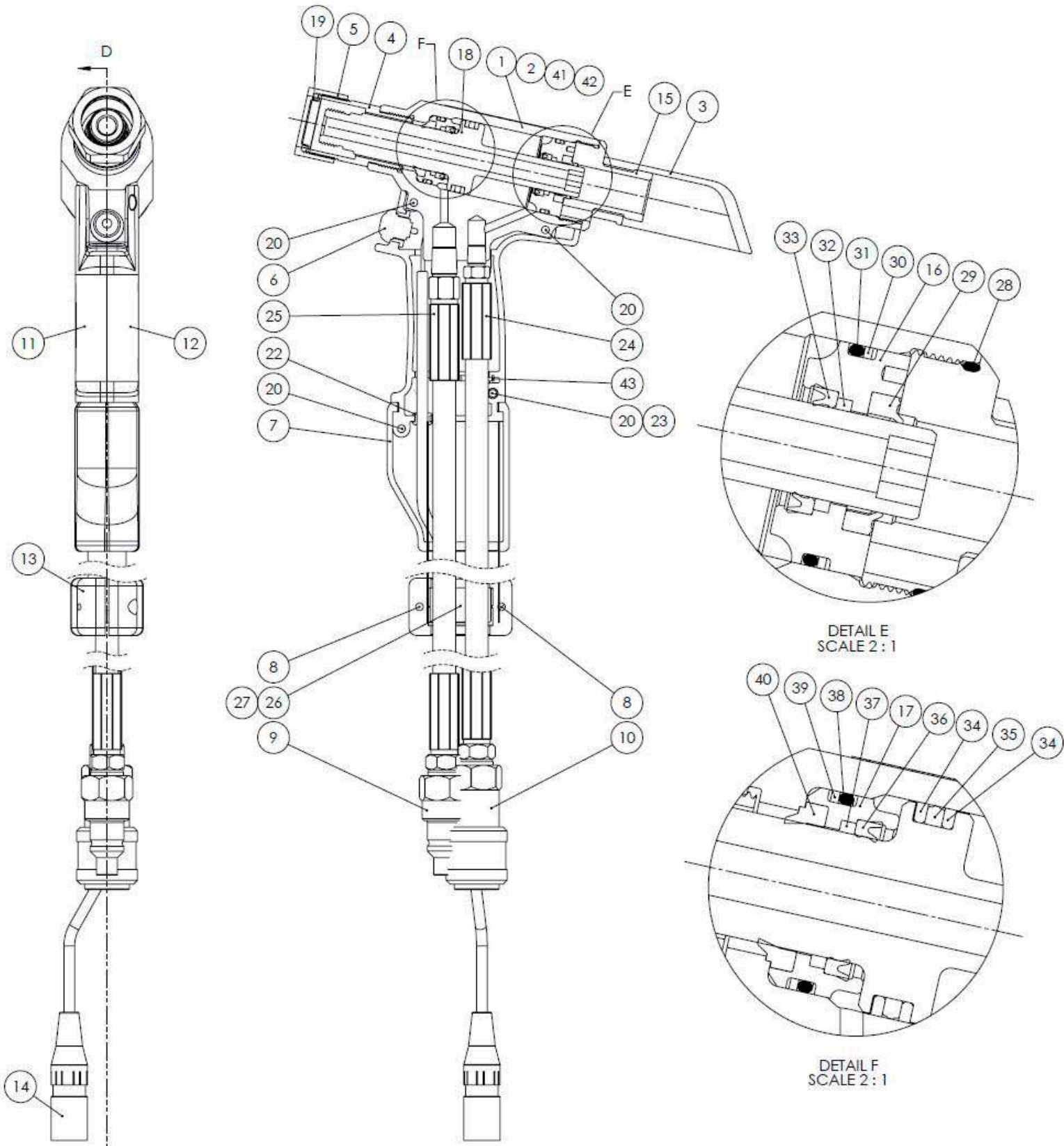
Tous les chiffres en **gras** font référence au plan d'ensemble et à la nomenclature des pages 18, 19 et 20.

\* Kit de révision page 13.

## 6. PLAN D'ENSEMBLE ET NOMENCLATURE

### 6.1 PLAN D'ENSEMBLE





## 6.2 NOMENCLATURE

NOMENCLATURE 73425-02000			
N° ÉLÉMENT	NUMÉRO DE PIÈCE	DÉSIGNATION	QTÉ
1	73425-02003	AV <sup>®</sup> 5 Tête	1
2	73425-02014	AV25 <sup>®</sup> Étiquette	1
3	73200-02030	Défecteur	1
4	73200-02041	Adaptateur	1
5	73200-02042	Écrou de retenue	1
6	73425-02013	Ensemble Gâchette	1
7	73430-02020	Gaine de poignée	1
8	07001-00686	Cache vissé douille M4	2
9	07005-10118	Raccord rapide mâle	1
10	07005-10120	Raccord rapide femelle	1
11	73425-02009	Moulage poignée, gauche	1
12	73425-02015	Moulage poignée, droite	1
13	73430-02023	Collier de serrage	1
14	07007-02105	Câble de commande	1
15	73425-02007	Bouchon d'extrémité	1
16	73425-02006	Fouloir arrière	1
17	73425-02005	Fouloir avant	1
18	73425-02011	Tête piston	1
19	73200-02043	Bague adaptatrice	1
20	07001-00688	Cache vissé douille M4	4
22	07007-02140	Œillet caoutchouc	1
23	07002-00134	Écrou M4	1
24	07005-10119	Flexible hydraulique, côté retour	1
25	07005-10117	Flexible hydraulique, côté traction	1
26	73430-02024	Insert pour pince	1
27	07005-10121	Manchon de protection	0,4 m
28	07003-00308	Joint torique	1
29	07003-00442	Joint racleur	1
30	07003-00527	Bague d'appui en spirale	1
31	07003-00526	Joint torique	1
32	73430-02010	Bague de roulement arrière	1
33	07003-00441	Joint de tige	1
34	07003-00521	Bague anti-extrusion	2
35	07003-00520	Joint Piston	1
36	07003-00523	Joint de tige	1
37	73200-03104	Bague de roulement	1
38	07003-00524	Joint torique	1
39	07003-00525	Bague d'appui en spirale	1
40	07003-00522	Joint racleur	1
41	73425-02016	Étiquette de sécurité	1
42	07007-01504	Étiquette CE	1
43	07007-02032	Attache de câble	1

## 7. DONNÉES DE SÉCURITÉ

### 7.1 DONNÉES DE SÉCURITÉ - HUILE HYDRAULIQUE HF ENERPAC®

#### PREMIER SECOURS

##### PEAU :

Peu susceptible de provoquer des dommages à la peau en cas de contacts brefs et occasionnels mais une exposition prolongée peut engendrer des dermatites. Lavez la peau soigneusement à l'eau et au savon dès que cela est raisonnablement possible. Retirez les vêtements contaminés et lavez abondamment la peau.

##### VOIES ORALES :

Peu susceptible de provoquer des dommages en cas d'ingestion accidentelle de petites doses, bien que de plus grandes quantités puissent engendrer des nausées et des diarrhées. En cas de contamination de la bouche, rincez soigneusement à l'eau. L'ingestion de grandes quantités de produit est peu probable, sauf en cas d'acte délibéré. Si cela devait se produire, ne faites pas vomir, consultez un médecin. Conduisez la personne dans le centre médical le plus proche.

##### YEUX :

Peu susceptible de provoquer autre chose que des picotements ou des rougeurs en cas de contact accidentel avec les yeux. Rincez soigneusement les yeux avec suffisamment d'eau, en gardant les paupières ouvertes. Demandez un avis médical si la douleur ou les rougeurs s'aggravent ou persistent.

##### CONSEIL MÉDICAL :

Le traitement doit être symptomatique de façon générale et orienté vers le soulagement de tous les effets.

Remarque : Applications à haute pression :

Les injections cutanées, résultant d'un contact avec le produit à haute pression, constituent une urgence médicale majeure. Les blessures peuvent ne pas paraître graves au début mais en quelques heures les tissus enflent, se décolorent et deviennent extrêmement douloureux avec nécrose sous-cutanée étendue.

Un examen chirurgical doit être entrepris sans délai. Le débridement complet et étendu de la plaie et des tissus sous-jacents est nécessaire pour minimiser la perte tissulaire et prévenir ou limiter les dommages permanents. Notez qu'une pression élevée peut forcer le produit sur des distances considérables le long des plans tissulaires.

#### MISE AU REBUT

Éliminez tous les déversements à l'aide d'un matériau absorbant inerte. Aérez la zone contaminée. Placez les objets contaminés dans un contenant jetable et jetez-le conformément à la réglementation locale.

#### INCENDIE

POINT ÉCLAIR : 200°C.

Extinction sèche chimique ou mousse ou au dioxyde de carbone. Ne pénétrez pas dans l'espace confiné sans appareil respiratoire autonome.

#### MANIPULATION

Utilisez une crème de protection ou des gants résistants à l'huile.

#### STOCKAGE

Couvert et conformément à la réglementation locale concernant les matières inflammables.

### 7.2 DONNÉES DE SÉCURITÉ - GRAISSE MOLYLITHIUM EP 3753

La graisse peut être commandée seule, le numéro de pièce est indiqué dans le contenu du kit de révision, page 12.

#### PREMIER SECOURS

##### PEAU :

La graisse étant parfaitement étanche à l'eau il est préférable de la retirer avec un nettoyant émulsifiant pour la peau homologué.

##### INGESTION :

Veillez à ce que l'individu boive 30ml de lait de magnésie, de préférence dans une tasse de lait.

##### YEUX :

Irritant mais pas dangereux. Rincez à l'eau et consultez un médecin.

#### INCENDIE

POINT ÉCLAIR : Au-dessus de 220°C.

Classé comme non-inflammable.

Moyens d'extinction adaptés : Pulvérisation CO<sub>2</sub>, Halon ou eau par une personne qualifiée.

#### ENVIRONNEMENT

Raclez pour incinération ou dépose dans un centre agréé.

#### MANIPULATION

Utilisez une crème de protection ou des gants résistants à l'huile

#### STOCKAGE

Loin de la chaleur ou d'agents oxydants.



### 7.3 DONNÉES DE SÉCURITÉ - GRAISSE MOLYKOTE® 111

La graisse peut être commandée seule, le numéro de pièce est indiqué dans le contenu du kit de révision, page 12.

#### PREMIER SECOURS

PEAU :

Aucun premier soin nécessaire.

INGESTION :

Aucun premier soin nécessaire.

YEUX :

Aucun premier soin nécessaire.

INHALATION :

Aucun premier soin nécessaire.

#### INCENDIE

POINT ÉCLAIR : Au-dessus de 101,1°C (coupelle fermée)

Propriétés explosives : Non

Moyens d'extinction adaptés : Mousse de dioxyde de carbone, Poudre sèche ou faible aspersion d'eau. De l'eau pulvérisée peut être utilisée pour garder au frais les contenants exposés au feu.

#### ENVIRONNEMENT

Aucun effet indésirable prévisible.

#### MANIPULATION

Un système d'aération général est recommandé. Évitez tout contact avec les yeux.

#### STOCKAGE

Ne stockez pas avec des agents oxydants. Gardez les contenants fermés et stockés loin d'eau ou de zones humides.



## 8. DIAGNOSTIC DE PANNES

SYMPTÔME	CAUSE POSSIBLE	REMÈDE	RÉF. PAGE
L'outil de pose ne fonctionne pas	La pompe ne fonctionne pas	Contrôlez l'alimentation électrique de la pompe et consultez la notice d'utilisation de la pompe.	
	Raccords rapides <b>9</b> et <b>10</b> défectueux	Remplacez les raccords rapides	19
	Le câble de commande de la gâchette <b>14</b> n'est pas raccordé correctement	Contrôlez le bon raccordement du câble de commande au niveau de la pompe et de l'outil de pose	10
	Interrupteur à gâchette <b>6</b> ou câble de commande <b>14</b> endommagé	Remplacez l'interrupteur à gâchette et/ou le câble de commande	19
L'interrupteur à gâchette <b>7</b> ne fonctionne pas	Pompe en mode local	Consultez la notice d'utilisation de la pompe	
	Interrupteur à gâchette <b>6</b> , câble de commande <b>14</b> ou connecteur endommagé	Remplacez l'interrupteur à gâchette et/ou le câble de commande	19
La pompe fonctionne mais pas l'outil de pose	Flexibles hydrauliques non raccordés	Contrôlez le bon raccordement au niveau de la pompe et de l'outil de pose	10
	Niveau d'huile bas	Veillez à ce que l'outil de pose ait suffisamment d'huile et qu'il a été correctement amorcé Consultez la notice d'utilisation de la pompe	10
	Fuite d'huile externe sur l'outil de pose	Inspectez l'outil, remplacez les composants usés ou endommagés	14 - 17
	Fuite d'huile externe sur les flexibles	Inspectez les flexibles, veillez à ce que les raccords soient bien étanches et/ou remplacez les raccords endommagés	19
	Fuite d'huile interne/externe sur la pompe	Consultez la notice d'utilisation de la pompe	
L'outil de pose fonctionne de façon erratique	Pression hydraulique basse ou instable	Consultez la notice d'utilisation de la pompe	
	Joints hydrauliques usés ou endommagés dans l'outil de pose	Inspectez l'outil, remplacez les joints usés ou endommagés	14 - 17
	Surfaces des joints hydrauliques usés ou endommagés dans l'outil de pose	Inspectez l'outil, remplacez les composants usés ou endommagés	14 - 17
	Fuite d'huile interne/externe sur la pompe	Consultez la notice d'utilisation de la pompe	
La pompe monte complètement en pression mais l'extrémité de la tige ne se brise pas	La force de rupture est supérieure à la capacité de l'outil à pleine pression	Consultez les spécifications de l'outil de pose	7
	Circulation vers l'outil de pose bloquée	Contrôlez que les raccords rapides <b>9</b> et <b>10</b> sont parfaitement insérés	10
	Valeur de dépressurisation de la pompe trop basse	Réglez les valeurs pour la soupape de détente, consultez la notice d'utilisation de la pompe	
	Rainures de traction sur la queue de la tige de la fixation abîmées	Voir les symptômes à la page 24	11
	Fonctionnement incorrect de l'outil		11

SYMPTÔME	CAUSE POSSIBLE	REMÈDE	RÉF. PAGE
Le piston de l'outil de pose <b>1</b> ne revient pas en place	Circulation sur le circuit de retour restreinte ou bloquée	Contrôlez que les raccords rapides <b>9</b> et <b>10</b> sont parfaitement insérés et/ou qu'ils ne sont pas défectueux	10
	Flexibles hydrauliques non raccordés	Contrôlez le bon raccordement au niveau de la pompe et de l'outil de pose	10
	Dysfonctionnement de la vanne de la pompe	Consultez la notice d'utilisation de la pompe	
L'outil de pose n'éjecte pas la collerette de l'enclume	Mauvais réglage de la minuterie de retour de la pompe, trop basse	Réglez la valeur de la minuterie de retour, consultez la notice d'utilisation de la pompe	
	Valeur pour la soupape de détente pour le retour de la pompe trop basse	Réglez correctement la valeur pour la soupape de détente, consultez la notice d'utilisation de la pompe	
	Pression hydraulique basse ou instable	Consultez la notice d'utilisation de la pompe	
	Joints hydrauliques usés ou endommagés dans l'outil de pose	Inspectez l'outil, remplacez les joints usés ou endommagés	14 - 17
	Surfaces des joints hydrauliques usés ou endommagés dans l'outil de pose	Inspectez l'outil, remplacez les composants usés ou endommagés	14 - 17
	Fuite d'huile interne/externe sur la pompe	Consultez la notice d'utilisation de la pompe	
Rainures de traction sur la queue de la tige de la fixation abîmées pendant la pose	L'opérateur ne pousse pas complètement le nez sur la tige de la fixation avant d'actionner l'outil	Formez l'opérateur sur la bonne méthode à adopter	11
	Longueur fixation / grip incorrectes	Utilisez la bonne fixation	
	Segments de la pince usés ou endommagés	Vérifiez et remplacez la pince, consultez la fiche technique de l'embout de rivetage	11
	Débris dans les segments de mors et/ou les rainures d'extrémité de la tige	Nettoyez les segments de mors - consultez la fiche technique de l'embout de rivetage	
	Jeu excessif avec la plaque	Corrigez le jeu entre les plaques	11
La collerette Avdelok® ou Avbolt® n'est pas complètement insérée	Fonctionnement incorrect de l'outil		11
	Alésage enclume usé	Vérifiez et remplacez l'enclume - consultez la fiche technique de l'embout de rivetage	
L'extrémité de la tige n'est pas libérée de l'embout de rivetage	Assemblage incorrect de l'embout de rivetage	Consultez la fiche technique de l'embout de rivetage	
L'outil de pose et l'huile hydraulique chauffent	Circuit hydraulique entravé	Contrôlez les raccords rapides <b>9</b> et <b>10</b> et remplacez-les si nécessaire	19
	Température ambiante trop élevée		
Fuite d'huile sur les raccords hydrauliques rapides <b>9</b> et <b>10</b>	Joint torique usé dans le corps du raccord rapide mâle <b>9</b>	Remplacez le joint torique et la bague d'appui dans le raccord rapide <b>9</b>	19

Tous les chiffres en **gras** font référence au plan d'ensemble et à la nomenclature des pages 18, 19 et 20.

\* Kit de révision page 13.

## 9. DÉCLARATION DE CONFORMITÉ CE

Nous, **Stanley Engineered Fastening, Stanley House, Works Road, Letchworth Garden City, Hertfordshire, SG6 1JY Royaume-Uni**, déclarons sous notre seule responsabilité, que le produit :

**Désignation :** OUTIL ÉLECTRIQUE HYDROPNEUMATIQUE

**Modèle :** AV<sup>®</sup> 5 OUTIL POUR STRUCTURES – 73425-02000

auquel se réfère cette déclaration est conforme aux normes harmonisées suivantes :

ISO 12100:2010	EN ISO 3744:2010
EN ISO 11202:2010	EN ISO 11148-1:2011
EN ISO 4413:2010	EN ISO 20643:2008+A1:2012
EN ISO 4414:2010	ES100118-rev 17:2017
EN ISO 28927-5:2009+A1:2015	

La documentation technique a été compilée conformément à l'annexe 1, section 1.7.4.1, et conformément à la Directive suivante : **Directive Machine 2006/42/CE** (Textes réglementaires 2008 n°1597 - Réglementations sur la fourniture de machines (Sécurité)).

Le soussigné fait cette déclaration au nom de STANLEY Engineered Fastening



**A. K. Seewraj**

**Directeur Ingénierie, Royaume-Uni**

Avdel UK Limited, Stanley House, Works Road, Letchworth Garden City, Hertfordshire, SG6 1JY ROYAUME UNI

**Lieu de diffusion :** Letchworth Garden City, UK

**Date de diffusion :** 24-08-2021

Le soussigné est responsable de la compilation du dossier technique pour les produits vendus au sein de l'Union européenne et il fait cette déclaration au nom de Stanley Engineered Fastening.

**Matthias Appel**

**Team Leader Documentation technique**

Stanley Engineered Fastening, Tucker GmbH, Max-Eyth-Str.1, 35394 Gießen, Allemagne



Cette machine est conforme à la  
Directive Machines 2006/42/CE

**STANLEY**  
Engineered Fastening

## 10. DÉCLARATION DE CONFORMITÉ ROYAUME-UNI

Nous, **Stanley Engineered Fastening, Stanley House, Works Road, Letchworth Garden City, Hertfordshire, SG6 1JY Royaume-Uni**, déclarons sous notre seule responsabilité, que le produit :

**Désignation :** **OUTIL ÉLECTRIQUE HYDROPNEUMATIQUE**

**Modèle :** **AV<sup>®</sup> 5 OUTIL POUR STRUCTURES – 73425-02000**

auquel se réfère cette déclaration est conforme aux normes harmonisées suivantes :

ISO 12100:2010	EN ISO 3744:2010
EN ISO 11202:2010	EN ISO 11148-1:2011
EN ISO 4413:2010	EN ISO 20643:2008+A1:2012
EN ISO 4414:2010	ES100118-rev 17:2017
EN ISO 28927-5:2009+A1:2015	

La documentation technique a été compilée conformément à la réglementation sur la fourniture de machines (Sécurité) 2008, S.I. 2008/1597 (amendée).

Le soussigné fait cette déclaration au nom de STANLEY Engineered Fastening



**A. K. Seewraj**

**Directeur Ingénierie, Royaume-Uni**

Avdel UK Limited, Stanley House, Works Road, Letchworth Garden City, Hertfordshire, SG6 1JY ROYAUME UNI

**Lieu de diffusion :** **Letchworth Garden City, UK**

**Date de diffusion :** **24-08-2021**



Cette machine est conforme à la  
Réglementation sur la fourniture de machines  
(sécurité) 2008,  
S.I. 2008/1597 (amendée)

## 11. PROTÉGEZ VOTRE INVESTISSEMENT !

### **GARANTIE RIVETEUSE POUR RIVETS AVEUGLES Stanley® Engineered Fastening**

STANLEY® Engineered Fastening garantit que tous les outils électriques ont été fabriqués avec soin et qu'ils seront exempts de défauts de pièces ou de main d'œuvre dans des conditions normales d'utilisation et d'entretien pendant une période d'un (1) an.

Cette garantie s'applique à l'acheteur de première main et pour un usage d'origine.

#### **Exclusions :**

##### **Usure normale.**

La maintenance périodique, la réparation et le remplacement des pièces dus à une usure normale ne sont pas couverts par de cette garantie.

##### **Utilisation abusive et incorrecte.**

Les défauts et dommages résultant d'une utilisation ou d'un stockage incorrects, d'une utilisation inappropriée ou abusive, d'un accident ou d'une négligence, comme les dommages physiques par exemple, ne sont pas couverts par cette garantie.

##### **Réparation ou modification non autorisées.**

Les défauts ou dommages résultant d'un/d'une quelconque entretien, test, réglage, installation, maintenance, altération ou modification par tout autre entité ou personne que STANLEY® Engineered Fastening, ou l'un de ses centres d'assistance agréés, sont exclus de la garantie.

Toutes les autres garanties, explicites ou implicites, dont les garanties de commercialisation ou d'adaptation à un usage particulier sont exclues par la présente.

Si cet outil devait ne pas répondre à la garantie, retournez-le dans les meilleurs délais au centre d'assistance agréé par notre usine, le plus proche. Pour obtenir la liste des centres d'assistance agréés STANLEY® Engineered Fastening aux USA et au Canada, appelez notre numéro gratuit (877)364 2781.

En dehors des USA et du Canada, consultez notre **site Internet [www.StanleyEngineeredFastening.com](http://www.StanleyEngineeredFastening.com)** pour trouver votre centre STANLEY Engineered Fastening le plus proche.

STANLEY Engineered Fastening procèdera alors au remplacement, gratuit, de chacune des pièces jugées défectueuses par nos soins dont la cause serait un défaut de pièce ou de fabrication, avant de retourner l'outil en prépayé. Ceci représente notre unique obligation dans le cadre de cette garantie.

En aucun cas STANLEY Engineered Fastening ne saurait être tenu responsable pour quelque dommage consécutif ou spécial découlant de l'achat ou de l'utilisation de cet outil.

#### **Enregistrez votre riveteuse pour rivets aveugles en ligne.**

Pour enregistrer votre garantie en ligne, consultez notre page sur

<https://www.stanleyengineeredfastening.com/support/warranty-registration-form>

Merci d'avoir choisi un outil de la marque STANLEY® Engineered Fastening, STANLEY Assembly Technologies.

©2021 der Marke STANLEY Black & Decker  
Alle Rechte vorbehalten.





Die bereitgestellten Informationen dürfen in keiner Weise durch irgendwelche Mittel (elektronisch oder mechanisch) vervielfältigt und/oder veröffentlicht werden, wenn keine vorherige ausdrückliche und schriftliche Genehmigung von STANLEY Engineered Fastening vorliegt. Die bereitgestellten Informationen basieren auf den Daten, die zum Zeitpunkt der Einführung dieses Produkts bekannt sind. STANLEY Engineered Fastening verfolgt eine Politik der ständigen Produktverbesserung und somit können die Produkte Änderungen unterliegen. Die bereitgestellten Informationen gelten für das Produkt wie von STANLEY Engineered Fastening geliefert. Daher haftet STANLEY Engineered Fastening nicht für Schäden, die aus Abweichungen von den ursprünglichen Spezifikationen des Produkts entstehen.

Die verfügbaren Informationen wurden mit größter Sorgfalt zusammengestellt. Allerdings übernimmt STANLEY Engineered Fastening keine Haftung für eventuelle Fehler in den Informationen noch für die Folgen davon. STANLEY Engineered Fastening haftet nicht für Schäden, die aus Tätigkeiten entstehen, die von Dritten ausgeführt werden. Die Arbeitsnamen, Handelsnamen, eingetragenen Marken usw., die von STANLEY Engineered Fastening verwendet werden, sollten gemäß den Rechtsvorschriften in Bezug auf den Schutz von Marken nicht als frei angesehen werden.

## INHALT

<b>1. SICHERHEITSD DEFINITIONEN</b> .....	<b>3</b>
1.1 ALLGEMEINE SICHERHEITSBESTIMMUNGEN.....	3
1.2 GEFAHREN DURCH UMHHERFLIEGENDE TEILE .....	3
1.3 BETRIEBSGEFAHREN .....	4
1.4 GEFAHREN DURCH WIEDERKEHRENDE BEWEGUNGEN .....	4
1.5 GEFAHREN DURCH ZUBEHÖR.....	4
1.6 GEFAHREN AM ARBEITSPLATZ .....	4
1.7 GEFAHREN DURCH LÄRM.....	5
1.8 GEFAHREN DURCH VIBRATIONEN.....	5
1.9 ZUSÄTZLICHE SICHERHEITSHINWEISE FÜR HYDRAULISCHE ELEKTROWERKZEUGE .....	5
<b>2. SPEZIFIKATION</b> .....	<b>6</b>
2.1 VERWENDUNGSZWECK.....	6
2.2 TECHNISCHE DATEN DES WERKZEUGS.....	6
2.3 WERKZEUGDIMENSIONEN .....	7
<b>3. INBETRIEBNAHME</b> .....	<b>8</b>
3.1 FUNKTIONSPRINZIP .....	8
3.2 VORBEREITUNG DER ARBEIT .....	9
<b>4. BETRIEBSANWEISUNGEN</b> .....	<b>10</b>
4.1 SETZEN VON AVBOLT®-VERBINDUNGSELEMENTEN .....	10
4.2 SETZEN VON AVDELOK®-VERBINDUNGSELEMENTEN.....	10
4.3 SETZEN VON NEOBOLT®-VERBINDUNGSELEMENTEN.....	11
<b>5. WARTUNG DES WERKZEUGS</b> .....	<b>12</b>
5.1 TÄGLICHE WARTUNG.....	12

5.2	WÖCHENTLICHE WARTUNG.....	12
5.3	JÄHRLICHE WARTUNG / ALLE 250.000 EINSÄTZE .....	12
5.4	WARTUNGSKIT .....	12
5.5	WARTUNGSWERKZEUGE.....	13
5.6	HYDRAULIKÖL.....	13
5.7	DEMONTAGEANWEISUNGEN.....	13
5.8	UMWELTSCHUTZ.....	16
<b>6.</b>	<b>ALLGEMEINE MONTAGE UND TEILELISTE.....</b>	<b>17</b>
6.1	ALLGEMEINE MONTAGE .....	17
6.2	TEILELISTE .....	19
<b>7.</b>	<b>SICHERHEITSDATEN .....</b>	<b>20</b>
7.1	Enerpac® HF HYDRAULIKÖL - SICHERHEITSDATEN .....	20
7.2	SICHERHEITSDATEN ZU MOLY-LITHIUM-FETT EP 3753 .....	20
7.3	SICHERHEITSDATEN ZU Molykote® 111-FETT.....	21
<b>8.</b>	<b>FEHLERSUCHE .....</b>	<b>22</b>
<b>9.</b>	<b>EC-KONFORMITÄTSERKLÄRUNG .....</b>	<b>24</b>
<b>10.</b>	<b>GB-KONFORMITÄTSERKLÄRUNG .....</b>	<b>25</b>
<b>11.</b>	<b>SCHÜTZEN SIE IHRE INVESTITION!.....</b>	<b>26</b>

	Diese Betriebsanleitung ist von jeder Person zu lesen, die mit der Installation oder Inbetriebnahme dieses Werkzeugs befasst ist, wobei besonders die folgenden Warnungen und Anweisungen zu beachten sind.
	Tragen Sie während des Betriebs des Werkzeugs stets einen stoßfesten Augenschutz. Die erforderliche Schutzart sollte für jeden Anwendungsfall bewertet werden.
	Bei der Verwendung des Werkzeugs können die Hände des Bedieners Gefahren ausgesetzt werden, darunter Quetschungen, Stöße, Schnittverletzungen, Hautabschürfungen und Verbrennungen. Tragen Sie zum Schutz der Hände geeignete Handschuhe.
	Verwenden Sie einen Gehörschutz, der den Anweisungen des Arbeitgebers und den Arbeitsschutzbestimmungen entspricht.

## 1. SICHERHEITSD DEFINITIONEN

Im Folgenden wird die Relevanz der einzelnen Warnhinweise erklärt. Bitte lesen Sie die Betriebsanleitung und achten Sie auf diese Symbole.



**GEFAHR:** Weist auf eine unmittelbar drohende gefährliche Situation hin, die, sofern nicht vermieden, zu tödlichen oder schweren Verletzungen führt.



**WARNUNG:** Weist auf eine möglicherweise gefährliche Situation hin, die, sofern nicht vermieden, zu tödlichen oder schweren Verletzungen führen kann.



**VORSICHT:** Weist auf eine möglicherweise gefährliche Situation hin, die, sofern nicht vermieden, zu leichten oder mittelschweren Verletzungen führen kann.



**VORSICHT:** Wird der Begriff ohne Warnsymbol gebraucht, weist er auf eine potenziell gefährliche Situation hin, die bei Nichtbeachtung zu Sachschäden führen kann.

**Unsachgemäßer Betrieb oder falsche Wartung dieses Produkts können zu schweren Verletzungen und Sachschäden führen. Machen Sie sich mit den Warnungen und Bedienanweisungen vertraut, bevor Sie dieses Gerät verwenden. Beim Gebrauch von Elektrowerkzeugen sind zum Schutz gegen Verletzungsgefahren immer die grundlegenden Sicherheitsvorschriften zu beachten.**

### BEWAHREN SIE ALLE WARNHINWEISE UND ANWEISUNGEN ZUM SPÄTEREN NACHSCHLAGEN AUF.

#### 1.1 ALLGEMEINE SICHERHEITSBESTIMMUNGEN

- Da verschiedene Gefahren bestehen, lesen Sie die Sicherheitshinweise genau durch, bevor Sie das Gerät installieren, bedienen, reparieren, warten, Zubehörteile austauschen oder in der Nähe arbeiten. Andernfalls kann es zu schweren Verletzungen kommen.
- Nur qualifiziertes und geschultes Personal darf das Werkzeug installieren, einstellen oder benutzen.
- NICHT auf andere Weise verwenden als im Verwendungszweck unter „Setzen von STANLEY Engineered Fastening Blindnieten“ angegeben.
- Verwenden Sie nur Teile, Verbindungselemente und Zubehörteile, die vom Hersteller empfohlen werden.
- Nehmen Sie KEINE Veränderungen am Werkzeug vor. Veränderungen können die Wirksamkeit von Sicherheitsvorrichtungen beeinträchtigen und die Risiken für den Bediener erhöhen. Jede Änderung am Werkzeug durch den Kunden unterliegt einzig der vollen Verantwortung des Kunden und macht geltende Gewährleistungen ungültig.
- Werfen Sie Sicherheitshinweise nicht weg, sondern stellen Sie sie dem Bediener zur Verfügung.
- Verwenden Sie das Werkzeug nicht, wenn es beschädigt ist.
- Prüfen Sie vor der Verwendung, ob bewegliche Teile verzogen oder ausgeschlagen, ob Teile gebrochen oder in einem Zustand sind, der den Betrieb des Werkzeugs beeinträchtigt. Bei Beschädigungen lassen Sie das Werkzeug warten, bevor Sie es verwenden. Entfernen Sie vor dem Gebrauch alle Einstellwerkzeuge oder Schraubenschlüssel.
- Die Werkzeuge sind regelmäßig zu überprüfen, um sicherzustellen, dass die von diesem Teil der ISO 11148 geforderten Nennwerte und Kennzeichnungen lesbar auf dem Werkzeug angebracht sind. Der Arbeitgeber/Verwender muss sich mit dem Hersteller in Verbindung setzen, um gegebenenfalls Ersatzkennzeichnungen zu erhalten.
- Das Werkzeug muss jederzeit in einem sicheren Betriebszustand gehalten und in regelmäßigen Abständen von geschultem Personal auf Beschädigungen und Funktion überprüft werden. Nur geschultes Personal darf das Gerät demontieren. Vor der Demontage dieses Werkzeugs ist die Wartungsanleitung zu lesen.

#### 1.2 GEFAHREN DURCH UMHERFLIEGENDE TEILE

- Trennen Sie das Werkzeug von der Hydraulikpumpeneinheit ab, bevor Sie Wartungsarbeiten durchführen oder



versuchen, Ausrüstungsteile oder Zubehör einzustellen, anzubringen oder abzunehmen.

- Beachten Sie, dass ein Ausfall des Werkstücks oder des Zubehörs oder auch des eingesetzten Werkzeugs selbst Hochgeschwindigkeitsprojekte erzeugen kann.
- Tragen Sie während des Betriebs des Werkzeugs stets einen stoßfesten Augenschutz. Die erforderliche Schutzart sollte für jeden Anwendungsfall bewertet werden.
- Auch Risiken für andere Personen sollten stets bewertet werden.
- Vergewissern Sie sich, dass das Werkstück sicher befestigt ist.
- Überprüfen Sie, ob die Mittel zum Schutz vor dem Auswerfen von Befestigungsmitteln und/oder des Dorns angebracht und funktionsfähig sind.
- Warnen Sie vor dem möglichen heftigen Auswerfen von Dornen von der Vorderseite des Werkzeugs.
- Bedienen Sie das Werkzeug NICHT, wenn es auf Personen gerichtet ist.

### 1.3 BETRIEBSGEFAHREN

- Bei der Verwendung des Werkzeugs können die Hände des Bedieners Gefahren ausgesetzt werden, darunter Quetschungen, Stöße, Schnittverletzungen, Hautabschürfungen und Verbrennungen. Tragen Sie zum Schutz der Hände geeignete Handschuhe.
- Bediener und Wartungspersonal müssen physisch in der Lage sein, mit dem Volumen, dem Gewicht und der Leistung des Werkzeugs umzugehen.
- Halten Sie das Werkzeug richtig fest und seien Sie stets bereit, normalen oder plötzlichen Bewegungen entgegenzuwirken, ggf. mit beiden Händen.
- Halten Sie die Werkzeuggriffe trocken, sauber und frei von Öl und Fett.
- Behalten Sie während der Arbeit mit dem Werkzeug immer eine ausgeglichene Körperposition und einen sicheren Stand.
- Lassen Sie die Start-/Stoppvorrichtung bei einer Unterbrechung der Hydraulikversorgung los.
- Verwenden Sie nur die vom Hersteller empfohlenen Schmierstoffe.
- Kontakt mit Hydraulikflüssigkeit sollte vermieden werden. Um die Möglichkeit von Hautausschlägen zu minimieren, sollten die betroffenen Stellen nach einem Kontakt sorgfältig abgewaschen werden.
- Materialsicherheitsdatenblätter für alle Hydrauliköle und Schmierstoffe erhalten Sie auf Anfrage bei Ihrem Werkzeuglieferanten.
- Vermeiden Sie ungeeignete Körperhaltungen, da sie es wahrscheinlich nicht ermöglichen, einer normalen oder unerwarteten Bewegung des Werkzeugs entgegenzuwirken.
- Wenn das Werkzeug an einer Aufhängevorrichtung befestigt ist, achten Sie darauf, dass die Befestigung sicher ist.
- Beachten Sie die Quetsch- oder Einklemmgefahren, wenn keine Nietausrüstung montiert ist.
- Werkzeug NICHT bedienen, wenn die Mundstückhülse entfernt wurde.
- Vor der Arbeit müssen die Hände des Bedieners ausreichenden Abstand zum Werkstück haben.
- Wenn das Werkzeug an einen anderen Ort gebracht wird, halten Sie die Hände vom Auslöser fern, um eine unbeabsichtigte Aktivierung zu vermeiden.
- Missbrauchen Sie das Werkzeug NICHT, indem Sie es herunterfallen lassen oder als Hammer verwenden.
- Es ist darauf zu achten, dass verbrauchte Dorne keine Gefahr darstellen.

### 1.4 GEFAHREN DURCH WIEDERKEHRENDE BEWEGUNGEN

- Bei Verwendung des Werkzeugs können in den Händen, Armen, Schultern, im Nacken oder in anderen Körperteilen des Bedieners Beschwerden auftreten.
- Bei Verwendung des Werkzeugs sollte der Bediener eine bequeme Haltung einnehmen, gleichzeitig aber sicher stehen und unausgewogene Körperhaltungen vermeiden. Der Bediener sollte bei länger dauernden Aufgaben seine Körperhaltung regelmäßig verändern, um Beschwerden und Ermüdung zu vermeiden.
- Falls der Bediener Symptome wie anhaltende oder wiederkehrende Beschwerden, Schmerzen, Pochen, Kribbeln, Taubheit, Brennen oder Steifheit verspürt, sollten diese Warnzeichen nicht ignoriert werden. Der Bediener sollte seinen Arbeitgeber informieren und sich an einen qualifizierten Arzt wenden.

### 1.5 GEFAHREN DURCH ZUBEHÖR

- Trennen Sie das Werkzeug von der Hydraulik- und Stromversorgung, bevor Sie die Mundstückbaugruppe oder das Zubehör anbringen oder entfernen.
- Verwenden Sie nur Größen und Typen von Zubehör und Verbrauchsmaterialien, die vom Hersteller des Werkzeugs empfohlen werden; andere Typen oder Größen von Zubehör oder Verbrauchsmaterialien sind nicht zulässig.

### 1.6 GEFAHREN AM ARBEITSPLATZ

- Ausrutschen, Stolpern und Stürzen sind die Hauptursachen für Verletzungen am Arbeitsplatz. Achten Sie auf rutschige Oberflächen, die durch den Einsatz des Werkzeugs verursacht werden, sowie auf Stolperfallen durch die Luftleitung oder den Hydraulikschlauch.
- Gehen Sie in ungewohnter Umgebung besonders vorsichtig vor. Es kann verborgene Gefahren wie Stromleitungen oder andere Versorgungsleitungen geben.

- Das Werkzeug ist nicht für den Einsatz in explosionsgefährdeten Bereichen bestimmt und ist nicht gegen Kontakt mit Strom geschützt.
- Stellen Sie sicher, dass keine elektrischen Kabel, Gasleitungen usw. vorhanden sind, die eine Gefahr verursachen können, falls sie durch das Werkzeug beschädigt werden.
- Tragen Sie geeignete Kleidung. Tragen Sie keine weite Kleidung und keinen Schmuck. Halten Sie Ihre Haare, Kleidung und Handschuhe von beweglichen Teilen fern. Lose sitzende Kleidung, Schmuck oder lange Haare können sich in den beweglichen Teilen verfangen.
- Es ist darauf zu achten, dass verbrauchte Dorne keine Gefahr darstellen.

### 1.7 GEFAHREN DURCH LÄRM

- Belastung durch hohe Geräuschpegel kann zu dauerhaften Behinderungen, Hörverlust und anderen Problemen wie Tinnitus (Klingeln, Summen, Pfeifen oder Brummen in den Ohren) führen. Die Risikobewertung und die Einführung geeigneter Kontrollen für diese Gefahren sind daher von wesentlicher Bedeutung.
- Zu den geeigneten Maßnahmen zur Verringerung des Risikos gehören unter anderem Maßnahmen zum Dämpfen von Materialien, um zu verhindern, dass Werkstücke „klingeln“.
- Verwenden Sie einen Gehörschutz, der den Anweisungen des Arbeitgebers und den Arbeitsschutzbestimmungen entspricht.
- Bedienen und warten Sie das Gerät gemäß den Empfehlungen in der Betriebsanleitung, um einen unnötigen Anstieg des Geräuschpegels zu vermeiden.

### 1.8 GEFAHREN DURCH VIBRATIONEN

- Einwirkung von Vibrationen kann zu Behinderungen der Nerven und der Blutversorgung der Hände und Arme führen.
- Tragen Sie bei kalten Bedingungen warme Kleidung und halten Sie Ihre Hände warm und trocken.
- Wenn Sie Taubheitsgefühl, Kribbeln, Schmerzen oder Weißwerden der Haut in Ihren Fingern oder Händen feststellen, hören Sie auf, das Werkzeug zu verwenden, informieren Sie Ihren Arbeitgeber und wenden Sie sich an einen Arzt.
- Wenn möglich, stützen Sie das Gewicht des Werkzeugs in einem Ständer, einer Einspann- oder Ausgleichsvorrichtung ab, da sich das Werkzeug dann einfacher bedienen lässt.

### 1.9 ZUSÄTZLICHE SICHERHEITSHINWEISE FÜR HYDRAULISCHE ELEKTROWERKZEUGE

- Der Druck der Hydraulikluftversorgung darf 550 bar (8000 PSI) nicht überschreiten.
- Unter Druck stehendes Öl kann zu schweren Verletzungen führen.
- Keine Hydraulikschläuche mit einer Auslegung von weniger als 700 bar (10.000 PSI) Betriebsdruck und einer Durchflussrate von unter 2,73 l/min (200 in 3/min) anbringen.
- Lassen Sie ein laufendes Werkzeug niemals unbeaufsichtigt. Trennen Sie den Hydraulikschlauch und das Elektrokabel von der Pumpeneinheit, wenn das Werkzeug nicht in Gebrauch ist bzw. bevor Sie Zubehör austauschen oder Reparaturen durchführen.
- Umherpeitschende Schläuche können zu schweren Verletzungen führen. Führen Sie immer eine Überprüfung auf beschädigte oder lose Schläuche und Armaturen durch.
- Überprüfen Sie vor Gebrauch die Hydraulikschläuche auf Beschädigungen. Alle hydraulischen Anschlüsse müssen sauber, vollständig eingerastet und dicht sein, bevor sie in Betrieb genommen werden. Lassen Sie keine schweren Gegenstände auf Schläuche fallen. Heftige Stöße können zu internen Beschädigungen und zu vorzeitigem Schlauchversagen führen.
- Bei Verwendung von Universal-Drehkupplungen (Klauenkupplungen) sind zum Schutz gegen möglichen Ausfall von Schlauch-Werkzeug- oder Schlauch-Schlauch-Verbindungen Sicherungsstifte anzubringen und Sicherheitskabel zu verwenden.
- Heben Sie das Setzwerkzeug NICHT am Schlauch oder Stromkabel an. Verwenden Sie dazu immer den Griff des Setzwerkzeugs.
- Ziehen oder bewegen Sie die Hydraulikpumpeneinheit nicht mit Hilfe der Schläuche. Verwenden Sie immer den Griff an der Pumpeneinheit oder den Rollenkäfig.
- Halten Sie Schmutz und Fremdkörper aus dem Hydrauliksystem des Werkzeugs fern, da sonst Fehlfunktionen auftreten können.
- Öl und Befüllausrüstung müssen sauber sein.
- Es dürfen nur empfohlene Hydraulikflüssigkeiten verwendet werden.
- Elektrogeräte benötigen zu Kühlzwecken einen freien Luftstrom und sollten daher in einem gut belüfteten Raum aufgestellt werden, der frei von gefährlichen Dämpfen ist.
- Die Höchsttemperatur der Hydraulikflüssigkeit am Einlass beträgt 110°C.

**STANLEY Engineered Fastening verfolgt eine Politik der ständigen Produktweiterentwicklung und Verbesserung und wir behalten uns das Recht vor, die technischen Daten eines Produkts ohne vorherige Ankündigung zu ändern.**

## 2. SPEZIFIKATION

### 2.1 VERWENDUNGSZWECK

Das AV<sup>®</sup>5-Installationswerkzeug besteht im Wesentlichen aus einer Kolben-Zylinder-Baugruppe. Wenn das Gerät hydraulisch und elektrisch mit einer kompatiblen Hydraulikquelle gekoppelt und die entsprechende Mundstückbaugruppe angebracht wurde, werden damit in industriellen Umgebungen Befestigungsmittel von Typen wie 3/8" Avdelok<sup>®</sup>, 3/8" NeoBolt<sup>®</sup>, 5/16" Avbolt<sup>®</sup> und Ø16mm Avseal<sup>®</sup> angebracht.

Das Setzwerkzeug und die Hydraulikpumpeneinheit dürfen nur gemäß den Bedienanweisungen für das Setzen von Stanley Engineered Fastening Strukturnieten verwendet werden.

Folgende Tabelle enthält die Liste der anwendbaren Befestigungsmittel und der dazugehörigen Nietausrüstung. Hinweise zur Mundstückbaugruppe bieten die in der Tabelle aufgeführten Datenblätter.

**NICHT VERWENDEN** in nasser Umgebung oder in der Nähe von entflammaren Flüssigkeiten oder Gasen.

BEFESTIGUNGSMITTEL		MUNDSTÜCKBAUGRUPPE			MUNDSTÜCKBAU-GRUPPE - DATENBLATT
TYP	GRÖSSE	ARTIKELNUM-MER	DIM. 'A'	DIM. 'B'	ARTIKELNUMMER
AVBOLT <sup>®</sup>	1/4"	07220-07500	70 mm	19 mm	07900-00905
	5/16"	07220-07700	100 mm	27 mm	07900-00905
AVDELOK <sup>®</sup>	5/16"	07220-05600	130 mm	27 mm	
	3/8"	07220-02000	100 mm	27 mm	
AVSEAL <sup>®</sup> II	16 mm	07220-06800	100 mm	27 mm	07900-00840
AVTAINER <sup>®</sup>	3/8"	* 71230-15600	130 mm	23 mm	
MONOBOLT <sup>®</sup>	1/4"	* 71230-15800	130 mm	27 mm	
	3/8"	07220-07200	110 mm	27 mm	
NEOBOLT <sup>®</sup>	5/16"	73200-05000	100 mm	27 mm	07900-01071
	3/8"	73200-05100	100 mm	27 mm	07900-01071

Hinweise:

Die Längenmaße sind gerundet.

\*Für die Montage dieser Mundstückbaugruppe ist ein Adapter mit der Artikelnummer 07267-00800 erforderlich.

\*Mundstückbaugruppe mit Backenentriegelung.

Zur Identifizierung der Maße der Mundstückbaugruppe „A“ und „B“ siehe Abbildung auf Seite 8.

Die Sicherheitsanweisungen müssen jederzeit eingehalten werden.

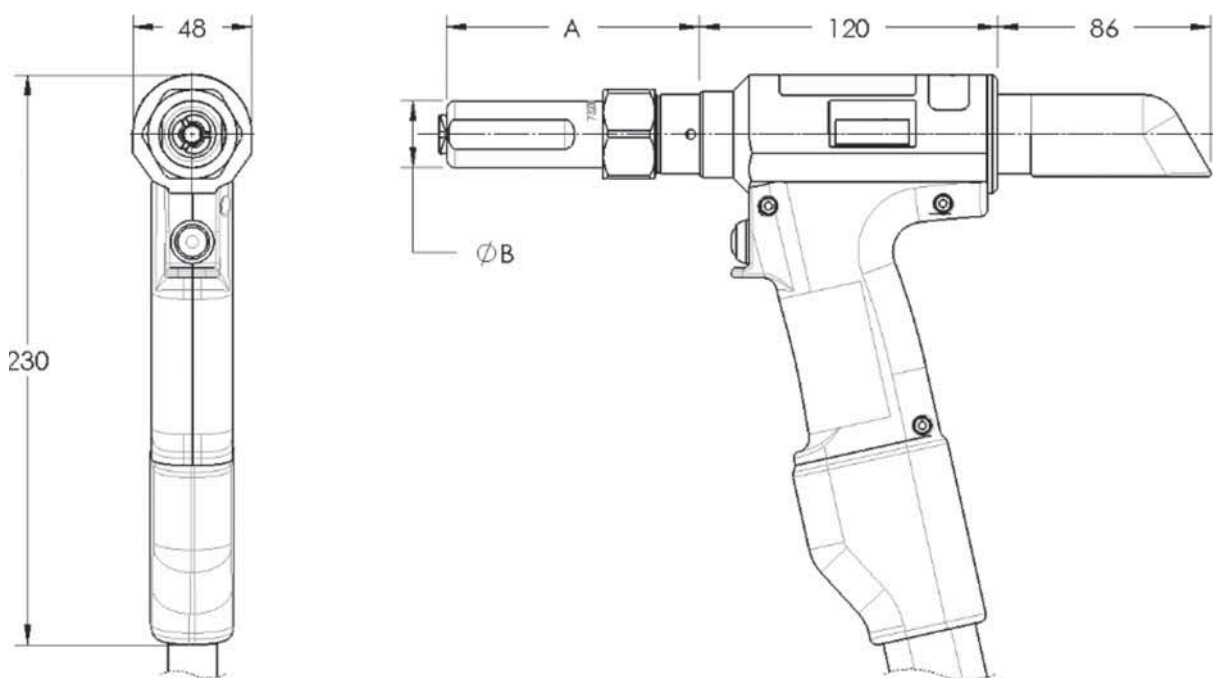
### 2.2 TECHNISCHE DATEN DES WERKZEUGS

SPEZIFIKATION		METRISCH	BRITISCHE MASSE
Force:	Zug bei angegebenem Luftdruck	36,0 kN	8992,4 lbf
	Druck bei angegebenem Rückzugsdruck	17,5 kN	3934,1 lbf
Druck:	Zug	510 bar	7396,9 lbf/in <sup>2</sup>
	Rückzug	200 bar	2900,7 lbf/in <sup>2</sup>
Stroke:	Minimaler Kolbenhub	30,0 mm	1,18 in
Gewicht:	Mit Nietausrüstung und Schlauch	2,9 kg	6,4 lb
Hydrauliköl:	Enerpac Hydraulic Oil - HF-95X	-	-
	Spindelausstoß		Hinten
	Dichtungsanordnung	Doppellippen- & Abstreiferdichtungen	
Weitere Merkmale:	Hydraulische Lagerringe	Ja – Vorne & Hinten	
	Schutzgriff / Schlauchaufhängung		Ja
	Schlauchschutz		Ja
	Schlauch-/Kabelhalteschellen		Ja

Geräuschwerte bestimmt gemäß Geräuschmessverfahren ISO 15744 und ISO 3744.		AV5
A-bewerteter Schallleistungspegel dB(A), LWA	Unsicherheitsfaktor Geräusche: kWA = 3,0 dB(A)	86,9 dB(A)
A-bewerteter Emissionsschalldruckpegel am Arbeitsplatz dB(A), LpA	Unsicherheitsfaktor Geräusche: kpA = 3,0 dB(A)	75,9 dB(A)
C-bewerteter Spitzenemissionsschalldruckpegel dB(C), LpC, peak	Unsicherheitsfaktor Geräusche: kpC = 3,0 dB(C)	81,1 dB(C)

Geräuschwerte bestimmt gemäß Geräuschmessverfahren ISO 20643 und ISO 5349		AV5
Schwingungsabgabenniveau, ahd:	Unsicherheitsfaktor Vibrationen: k = 1,34 m/s <sup>2</sup>	2,69 m/s <sup>2</sup>
Angegebene Schwingungsabgabewerte gemäß EN 12096		

### 2.3 WERKZEUGDIMENSIONEN



Alle Maße sind in Millimetern angegeben. Abbildung mit montierter 3/8" NeoBolt®-Mundstückbaugruppe. Das Aussehen des Werkzeugs variiert je nach Mundstückbaugruppe.

Maße der Mundstückbaugruppe „A“ und „B“ siehe Tabelle auf Seite 7.

Das Werkzeug ist mit zwei Hydraulikschläuchen und einem elektrischen Steuerkabel von 0,6 m Länge ausgestattet. Zusätzliche Hydraulikschläuche und Verlängerungskabel sind bei Bedarf separat erhältlich. Folgende Tabelle enthält die verfügbaren Längen für Schlauchbaugruppen und die dazugehörigen Teilenummern.

HYDRAULIKSCHLAUCHBAUGRUPPE	
ARTIKELNUMMER	SCHLAUHLÄNGE
07008-00448	5 Meter
07008-00449	10 Meter
07008-00450	15 Meter

## 3. INBETRIEBNAHME

### 3.1 FUNKTIONSPRINZIP

**WICHTIG – LESEN SIE DIE SICHERHEITSBESTIMMUNGEN AUF DEN SEITEN 4 - 6 UND DIE BETRIEBSANLEITUNG DER PUMPENEINHEIT VOR DER INBETRIEBNAHME SORGFÄLTIG DURCH.**

Wenn beide Schläuche und das Steuerkabel mit der Avdel® / Enerpac® Hydraulikpumpeneinheit verbunden sind, werden die Zug- und Rückzugzyklen des Werkzeugs durch Drücken und Loslassen des Auslösers gesteuert, der sich im Griff befindet.

Durch Drücken des Schalters wird das Magnetventil, das sich in der Hydraulikpumpeneinheit befindet, aktiviert und leitet den druckbeaufschlagten Ölstrom zur Zugseite des Kolbens im Setzwerkzeug. Dadurch kann auch das Öl auf der Rückzugseite des Setzwerkzeugs in den Behälter zurückfließen.

Während der Zugzyklen bewegt sich die Kolben-Spannzangen-Anordnung in Richtung der Rückseite des Werkzeugs, so dass das O-Ring-Polster den Mitnehmer und die Backen nach vorne drücken kann. Wenn ein Verbindungsstift in die Mundstückbaugruppe eingesetzt wurde, klemmt sich der Backensatz an das Stiftende und die Montage beginnt.

Bei Avbolt- und Avdelok® beginnt der Befestigungszyklus damit, dass die zu befestigende Verbindung festgeklemmt wird, dann bewegt sich der Amboss vorwärts und der Bund wird in die Sicherungsnuten des Stifts gedrückt. Am Ende dieses Zyklus stößt der Amboss nach oben gegen die Verbindung und durch die fortgesetzte Bewegung wird das Stiftende abgebrochen.

Der Auslöseschalter sollte sofort nach dem Abbrechen des Stifts losgelassen werden. Durch das Loslassen des Auslöseschalters wird der Magnet abgeschaltet und der Durchfluss von druckbeaufschlagtem Öl wird umgekehrt.

Wenn der Auslöser nicht losgelassen wird, bewegt sich der Kolben des Setzwerkzeugs weiter zur Rückseite des Werkzeugs, bis er das Ende seines Hubs erreicht. Der Druck auf der Zugseite steigt dann an, bis ein voreingestellter Wert für „Hochdruck“ an der Pumpe erreicht ist. Dann schaltet das Magnetventil automatisch ab und kehrt den Durchfluss des druckbeaufschlagten Öls zur Rückzugseite des Setzwerkzeugs um.

In beiden Fällen fließt nun druckbeaufschlagtes Öl in die Rückzugseite des Setzwerkzeugs, wobei das Öl auf der Zugseite in den Behälter zurückfließt.

Die Vorwärtsbewegung der Kolben-Spannzangen-Baugruppe wirft das installierte Verbindungselement aus dem Amboss heraus.

Beim Loslassen des Auslösers oder beim Erreichen des Wertes „Hochdruck“ schaltet das Magnetventil ab und aktiviert einen voreingestellten „Rückzug-Timer“. Hierdurch wird die Zeit gesteuert, in der der Pumpenmotor weiterläuft, bevor er in den Ruhezustand wechselt. Der Timer kann manuell zwischen 5 und 20 Sekunden eingestellt werden, um sicherzustellen, dass der Kolben des Setzwerkzeugs immer vollständig in die Vorwärtsstellung zurückkehrt (siehe Betriebsanleitung der Pumpe 07900-01030, Seite 10 und 13).

Wenn der Kolben in die volle Vorwärtsstellung zurückkehrt, steigt der Druck auf den voreingestellten Niederdruckwert - c200bar. Der Pumpenmotor läuft weiter, bis der Rückzug-Timer abgelaufen ist. Nach Ablauf dieser Zeit stoppt der Motor automatisch und das Ventil schaltet in die Leerlaufposition. Das Magnetventil schaltet dann automatisch um, um sowohl von der Zug- als auch von der Rückzugseite des Setzwerkzeugs druckbeaufschlagtes Öl in den Behälter abzulassen.

Dadurch bleibt das Montagewerkzeug in der vorderen Position. Zu diesem Zeitpunkt ist im Hydrauliksystem kein Druck vorhanden.

Die Hydraulikpumpeneinheit startet beim Drücken des Werkzeugauslöseschalters automatisch.

### 3.2 VORBEREITUNG DER ARBEIT

**VORSICHT – DER RICHTIGE ZUG- UND RÜCKZUGDRUCK SIND WICHTIG, UM DIE EINWANDFREIE FUNKTION DES WERKZEUGS ZU GEWÄHRLEISTEN. BEI FALSCHEM DRUCK KÖNNEN VERLETZUNGEN ODER SCHÄDEN AN DER AUSRÜSTUNG AUFTRETEN. DER VON DER HYDRAULIKPUMPENEINHEIT GELIEFERT ZUG- UND RÜCKZUGDRUCK DARF DIE IN DER SPEZIFIKATION DES SETZWERKZEUGS ANGEgebenEN DRÜCKE NICHT ÜBERSCHREITEN.**

**WICHTIG – VOR INBETRIEBNAHME DES SETZWERKZEUGS UND DES HYDRAULIKSCHLAUCH-SETS:**

**STELLEN SIE SICHER, DASS DIE PUMPENDRUCKBEGRENZUNGSVENTILE GEMÄSS DEN PUMPENANWEISUNGEN UND DEN FÜR DAS SETZWERKZEUG UND DIE SCHLÄUCHE ANGEgebenEN MAXIMALDRÜCKEN EINGESTELLT SIND.**

**STELLEN SIE SICHER, DASS IM SCHLAUCHSATZ GEMÄSS DEM VERFAHREN IN DER PUMPENBETRIEBSANLEITUNG 07900-01030 HYDRAULIKFLÜSSIGKEIT ANGESAUGT WIRD.**

- Vergewissern Sie sich, dass die Netzstromversorgung der Hydraulikpumpeneinheit ausgeschaltet ist.
- Schließen Sie die Schnellkupplungen des Hydraulikschlauches des Setzwerkzeugs direkt an die Pumpeneinheit an, bevor Sie das elektrische Steuerkabel anschließen. Schläuche und Steuerkabel müssen in dieser Reihenfolge angeschlossen und in umgekehrter Reihenfolge getrennt werden.
- Schalten Sie die Stromnetzversorgung der Hydraulikpumpeneinheit ein. Warten Sie 5 Sekunden, bis die Pumpeneinheit die Boot-Sequenz abgeschlossen hat, bevor Sie den Auslöseschalter drücken. Wenn alle Einstellungen vorgenommen wurden, zeigt der LCD-Bildschirm der Pumpeneinheit ‚AVDEL‘ an.
- Während der Boot-Sequenz erkennt die Pumpensteuerung jede Auslöserbetätigung als mögliche Fehlfunktion und verhindert, dass der Motor startet. Auf dem LCD-Bildschirm wird in diesem Fall ‚BUTTON FAULT‘ (Tastenfehler) angezeigt. Setzen Sie diese Anzeige durch Ausschalten der Stromversorgung für 10 Sekunden zurück.
- Vergewissern Sie sich, dass sich das Setzwerkzeug unterhalb der Pumpenbehälter befindet. Drücken Sie den Auslöseschalter des Setzwerkzeugs mehrmals bis fast auf den vollen Hub des Werkzeugs und lassen Sie ihn wieder los, um Hydraulikflüssigkeit zirkulieren zu lassen und Luft aus dem Werkzeug zu entfernen.
- Achten Sie auf das Verhalten des Werkzeugs. Überprüfen Sie, ob Flüssigkeit austritt, und stellen Sie sicher, dass sich der Kolben im Leerlaufmodus in der vollständigen Vorwärtsstellung befindet. Das Setzwerkzeug wird nun vorbereitet.
- Schalten Sie die Stromversorgung der Hydraulikpumpeneinheit aus und trennen Sie dann das Setzwerkzeug in umgekehrter Reihenfolge wie oben beschrieben von der Pumpeneinheit.
- Verbinden Sie nun das Setzwerkzeug mit dem Hydraulikschlauchset mit angesaugter Flüssigkeit und mit dem elektrischen Steuerkabel. Schließen Sie dann die Schnellkupplungen des Hydraulikschlauchsets und das elektrische Steuerkabel an die Pumpeneinheit an.
- Befestigen Sie die Mundstückbaugruppe am Werkzeug gemäß den Anweisungen im jeweiligen Datenblatt.
- Schalten Sie die Stromnetzversorgung der Hydraulikpumpeneinheit wie oben beschrieben ein.
- Drücken Sie den Auslöseschalter des Setzwerkzeugs mehrmals bis fast auf den vollen Hub des Werkzeugs und lassen Sie ihn wieder los, um Hydraulikflüssigkeit zirkulieren zu lassen.
- Das Setzwerkzeug ist jetzt betriebsbereit.



## 4. BETRIEBSANWEISUNGEN

### 4.1 SETZEN VON AVBOLT®-VERBINDUNGSELEMENTEN

Weitere Informationen zu diesen Verbindungselementen finden Sie im Datenblatt für die Mundstückbaugruppe, siehe Tabelle auf Seite 7. Folgende Informationen dienen nur zur Orientierung.

- Überprüfen Sie die Arbeit und entfernen Sie übermäßige Lücken. (Lücken sind die Freiräume zwischen den Komponenten der Verbindung. Eine Lücke ist zu groß, wenn das Stiftende, das durch den Bund herausragt, nicht lang genug ist, um von der Mundstückbaugruppe erfasst zu werden.)
- Setzen Sie das Avbolt-Verbindungselement in das Loch ein.
- Schieben Sie die Mundstückbaugruppe auf den Stift, bis der Amboss die Mundstückbaugruppe gegen den Bund stoppt. Die Werkzeug- und Mundstückbaugruppe muss im rechten Winkel (90°) zum Werkstück gehalten werden.
- Drücken Sie den Auslöseschalter des Werkzeugs, um den Installationszyklus zu beginnen.
- Wenn die Vorwärtsbewegung des Ambosses der Mundstückbaugruppe stoppt und das Stiftende abbricht, lassen Sie den Auslöser los. Das Werkzeug geht dann in den Rückzugmodus und drückt das montierte Verbindungselement weg. Am Ende des Rückzugs lösen die Backen das verbrauchte Stiftende teilweise, das dann bei der nächsten Installation durch die Backen geschoben und durch die Rückseite des Werkzeugs ausgeworfen wird.
- Nachdem das installierte Verbindungselement ausgeworfen wurde, ist die Werkzeug- und Mundstückbaugruppe für die nächste Installation bereit.

### 4.2 SETZEN VON AVDELOK®-VERBINDUNGSELEMENTEN

Weitere Informationen zu diesen Verbindungselementen finden Sie im Datenblatt für die Mundstückbaugruppe, siehe Tabelle auf Seite 7. Folgende Informationen dienen nur zur Orientierung.

- Überprüfen Sie die Arbeit und entfernen Sie übermäßige Lücken. (Lücken sind die Freiräume zwischen den Komponenten der Verbindung. Eine Lücke ist zu groß, wenn das Stiftende, das durch den Bund herausragt, nicht lang genug ist, um von der Mundstückbaugruppe erfasst zu werden.)
- Setzen Sie das Avdelok®-Verbindungselement in das Loch ein.
- Schieben Sie den Avdelok®-Bund über den Stift. (Das abgeschrägte Ende des Bundes muss zur Mundstückbaugruppe und zum Werkzeug zeigen.)
- Schieben Sie die Mundstückbaugruppe auf den Stift, bis der Amboss die Mundstückbaugruppe gegen den Bund stoppt. Die Werkzeug- und Mundstückbaugruppe muss im rechten Winkel (90°) zum Werkstück gehalten werden.
- Drücken Sie den Auslöseschalter des Werkzeugs, um den Installationszyklus zu beginnen.
- Wenn die Vorwärtsbewegung des Ambosses der Mundstückbaugruppe stoppt und das Stiftende abbricht, lassen Sie den Auslöser los. Das Werkzeug geht dann in den Rückzugmodus und drückt das montierte Verbindungselement weg. Am Ende des Rückzugs lösen die Backen das verbrauchte Stiftende teilweise, das dann bei der nächsten Installation durch die Backen geschoben und durch die Rückseite des Werkzeugs ausgeworfen wird.
- Nachdem das installierte Verbindungselement ausgeworfen wurde, ist die Werkzeug- und Mundstückbaugruppe für die nächste Installation bereit.

**VORSICHT - VERSUCHEN SIE NICHT, EIN STIFTENDE ABZUBRECHEN, WENN KEIN BUND VORHANDEN IST, DA SONST DER UNGESICHERTE TEIL DES AVDELOK®- ODER AVBOLT®-STIFTENDES MIT HOHER GESCHWINDIGKEIT UND KRAFT AUS DEM MUNDSTÜCK AUSTRITT.**

### 4.3 SETZEN VON NEOBOLT®-VERBINDUNGSELEMENTEN

Weitere Informationen zu diesen Verbindungselementen finden Sie im Datenblatt für die Mundstückbaugruppe, siehe Tabelle auf Seite 7. Folgende Informationen dienen nur zur Orientierung.

- Stecken Sie das NeoBolt®-Stiftende in das Loch und schieben Sie es vollständig durch die Verbindungsschichten.
- Bringen Sie den NeoBolt®-Bund über dem Stiftende an (das Flanschende des Bundes muss dem Werkstück am nächsten sein) und drehen Sie es im Uhrzeigersinn, so dass der Bund mindestens eine halbe Umdrehung in das Stiftgewinde eingreift.
- Schieben Sie die Spannzange ganz über das abzuziehende Stiftende, bis die Spannzange die Zugnut am NeoBolt®-Stift vollständig abdeckt und das abzuziehende Stiftende mit dem Spannzangenanschlag Kontakt hat. Das Setzwerkzeug muss senkrecht (90°) zur Werkstückoberfläche gehalten werden.
- Halten Sie den Auslöseschalter des Werkzeugs gedrückt, um den Installationszyklus zu beginnen. Die Spannzange greift das NeoBolt®-Stiftende und zieht den Amboss nach oben gegen den Bund.
- Halten Sie den Auslöser weiter gedrückt, bis der Bund vollständig gepresst ist und die Vorwärtsbewegung des Ambosses gegen den Bundflansch stoppt. Der Kolben des Setzwerkzeugs und die Spannzange kehren dann automatisch zurück, um den Amboss von der montierten Manschette wegzudrücken und das Stiftende von der Spannzange zu lösen.
- Lassen Sie den Auslöser los.
- Nachdem das installierte Verbindungselement aus dem Amboss ausgeworfen wurde, sind das Setzwerkzeug, die Mundstückbaugruppe und die Pumpeneinheit für die nächste Installation bereit.

**VORSICHT – Lassen Sie den Auslöser erst los, wenn der Zugzyklus des Setzwerkzeugs abgeschlossen ist und die Pumpeneinheit und das Werkzeug automatisch auf den Rückzugzyklus umgeschaltet haben. Das Loslassen des Auslösers vor diesem Zeitpunkt führt zu einem falsch und nur teilweise gesetzten NeoBolt®-Verbindungselement.**



## 5. WARTUNG DES WERKZEUGS

**WICHTIG – LESEN SIE DIE SICHERHEITSHINWEISE AUF DEN SEITEN 4 - 6. DER BETREIBER IST DAFÜR VERANTWORTLICH, DASS DIESE ANWEISUNGEN ZUR WERKZEUGWARTUNG DEM JEWEILIGEN BEDIENER ZUR VERFÜGUNG GESTELLT WERDEN. DER BEDIENER DARF NUR DANN WARTUNGS- ODER REPARATURARBEITEN AM WERKZEUG VORNEHMEN, WENN ER ENTSPRECHEND GESCHULT WURDE. DAS WERKZEUG IST REGELMÄSSIG AUF SCHÄDEN UND FEHLFUNKTIONEN ZU UNTERSUCHEN.**

### 5.1 TÄGLICHE WARTUNG

- Setzwerkzeug, Schläuche und Schnellkupplungen auf Ölleckagen prüfen.
- Verschlissene oder beschädigte Schläuche und Kupplungen sollten ausgetauscht werden.
- Überprüfen, dass der Hub des Werkzeugs die Spezifikationen erfüllt.
- Überprüfen, ob die Endkappe richtig und fest mit dem Gehäuse von AV®5 verbunden ist.
- Überprüfen, dass der Spindelabweiser montiert ist.
- Überprüfen, dass das Begrenzungsventil der Pumpe für den Zug/Vorschub ordnungsgemäß funktioniert.
- Überprüfen, dass die richtige Nietausrüstung für die zu setzenden Niete gewählt und korrekt angebracht wurde.
- Überprüfen, ob der Amboss verschlissen ist, was durch Riefen auf dem gesetzten Bund angezeigt wird. Dies kann auch durch Bezugnahme auf die Daten im Katalog der gesetzten Verbindungselemente geprüft werden. Übermäßiger Verschleiß kann zum Bruch des Ambosses führen.

### 5.2 WÖCHENTLICHE WARTUNG

- Mundstückbaugruppe demontieren und insbesondere die Backen/Spannzangen reinigen, dazu das jeweilige Datenblatt der Mundstückbaugruppe beachten.
- Überprüfen, ob Ölleckagen am Setzgerät, an den Schläuchen und Schnellkupplungen vorhanden sind.

**VORSICHT – Verwenden Sie niemals Lösungsmittel oder andere scharfe Chemikalien für die Reinigung der nichtmetallischen Teile des Geräts. Diese Chemikalien können das in diesen Teilen verwendete Material aufweichen.**

### 5.3 JÄHRLICHE WARTUNG / ALLE 250.000 EINSÄTZE

- Jährlich oder alle 250.000 Zyklen (je nachdem, was früher eintritt) sollte das Werkzeug vollständig demontiert und neue Komponenten verwendet werden, wenn sie verschlissen oder beschädigt sind oder dies empfohlen wird. Alle O-Ringe, Stützringe und Dichtungen sollten vor der erneuten Montage erneuert und mit Molykote 111-Fett geschmiert werden.

### 5.4 WARTUNGSKIT

Für eine Komplettwartung steht das folgende Wartungskit zur Verfügung:

WARTUNGSKIT: 73425-99990			
ARTIKELNUM-MER	BESCHREIBUNG	ARTIKELNUM-MER	BESCHREIBUNG
07005-10118	Schnellkupplung – Außengewinde	07900-01103	AV®5 Kolbenführungshülse
07005-10120	Schnellkupplung – Innengewinde	07900-01104	AV®5 Endkappenmontagewerkzeug
07900-00043	AV®5 Kolbenkugel – Vorderseite AV®5	07992-00020	Fett – MolyLithium EP3753
07900-01101	Kolbenkugel – Hinten	07900-00755	Fett – Molykote 111
07900-01102	AV®5 Vordere Stopfbuchsenführungsstange	07900-00756	Loctite 243 Gewindedichtmittel
		07002-00478	M4 X 20 Zylinderkopfschraube

## 5.5 WARTUNGSWERKZEUGE

Zusätzlich werden folgende Standardwerkzeuge benötigt:

- Inbusschlüssel: 2,0 / 3,0mm
- Flacher Gabelschlüssel: 12 / 14 / 18 / 24 / 45 mm A/F
- PTFE-Band: 10 mm
- Profi-Schraubstock mit Backenschutz – 150 mm

## 5.6 HYDRAULIKÖL

**VORSICHT – Verwenden Sie nur Enerpac® HF-Hydrauliköl. Die Verwendung von anderem Öl kann Fehlfunktionen von Setzwerkzeug und Pumpe verursachen und führt zum Erlöschen der Garantie für das Setzwerkzeug.**

Hydrauliköl ist auf Anfrage mit folgenden Artikelnummern erhältlich.

HYDRAULIKÖL			
ARTIKELNUMMER	07992-00081	07992-00082	07992-00083
Enerpac®-Teilenummer	HF-95X	HF-95Y	HF-95T
Volumen	1 Liter	5 Liter	20 Liter
Viskosität	32 mm <sup>2</sup> /s	32 mm <sup>2</sup> /s	32 mm <sup>2</sup> /s

## 5.7 DEMONTAGEANWEISUNGEN

**WICHTIG – VERGEWISSERN SIE SICH, DASS DIE NETZSTROMVERSORGUNG DER HYDRAULIKPUMPENEINHEIT AUSGESCHALTET IST, BEVOR SIE DIE MUNDSTÜCKBAUGRUPPE ENTFERNEN ODER DAS SETZWERKZEUG DEMONTIEREN.**

### Vor der Demontage:

- Lösen Sie die Schnellkupplungen **9** und **10** und das elektrische Steuerkabel **14** zwischen dem Setzwerkzeug und der Hydraulikschlauchbaugruppe.
- Entfernen Sie die Mundstückbaugruppe gemäß den Anweisungen im zugehörigen Datenblatt der Mundstückbaugruppe vom Setzwerkzeug.
- Potenziell gefährliche Stoffe, die sich während der Arbeiten an dem Gerät abgelagert haben, müssen vor der Wartung beseitigt werden.

Für eine vollständige Wartung des Werkzeugs empfehlen wir, die Demontage des Werkzeugs in der Reihenfolge durchzuführen, die auf den Seiten **14** bis **17** beschrieben wird. Nach der Demontage des Werkzeugs empfehlen wir, alle Dichtungen auszutauschen.

### Luftkolbenbaugruppe:

- Entfernen Sie den Abweiser **3** von der Endkappe **15**.
- Klemmen Sie den Werkzeuggriff so in einen Schraubstock mit weichen Backen, dass das Werkzeug mit dem Mundstück nach unten zeigt. Stecken Sie die Passstifte des \*Endkappenbaugruppenwerkzeugs in die drei Löcher in der Endkappe **15**.
- Lösen und entfernen Sie die Endkappe **15** mit einem 45-mm-A/F-Schlüssel vom Werkzeugkörper **1**.
- Entfernen Sie den O-Ring **28** mit einem kleinen Flachschaubendreher von der Endkappe **15** und entsorgen Sie ihn.
- Verbinden Sie den Ersatz für die \*Schnellkupplung - Außengewinde mit der Schnellkupplung - Innengewinde **10** am Hydraulikschlauch - Rückzug **24**. Dadurch wird der Druck von der Rückzugseite des Kolbens **18** gelöst und das Entfernen der hinteren Dichtungsstopfbuchse **16** erleichtert. Hinweis: Aus dem Ersatz für die Schnellkupplung – Außengewinde tritt Hydrauliköl aus.
- Setzen Sie drei M4-Schrauben in die hintere Dichtungsstopfbuchse **16** ein und ziehen Sie damit das Teil von der hinteren Welle des Kolbens **18** ab und aus dem Gehäuse **1** heraus.
- Entfernen Sie mit einem kleinen Flachschaubendreher oder ähnlichem Werkzeug den O-Ring **31** und den Spiral-Stützring **30** aus der äußeren Nut der hinteren Dichtungsstopfbuchse **16** und entsorgen Sie sie. Beim Entfernen der Dichtungen ist darauf zu achten, dass die Oberfläche der hinteren Dichtungsstopfbuchse nicht mit dem Schraubendreher beschädigt wird.
- Entfernen Sie die Stangendichtung **29** und die Abstreiferdichtung **33** von den inneren Nuten an der hinteren Dichtungsstopfbuchse **16** und entsorgen Sie sie. Beim Entfernen der Dichtungen ist darauf zu achten, dass die

Oberfläche der hinteren Dichtungsstopfbuchse nicht mit dem Schraubendreher beschädigt wird.

- Entfernen Sie den vorderen Lagerring **32** und überprüfen Sie ihn auf Verschleiß oder Beschädigung. Gegebenenfalls entsorgen.
- Entfernen Sie das Setzwerkzeug vom Schraubstock und entleeren Sie das Hydrauliköl von der Rückseite des Werkzeugs. Entfernen Sie den Ersatz für die \*Schnellkupplung - Außengewinde von der Schnellkupplung - Innengewinde **10** am Hydraulikschlauch - Rückzug **24**.

Alle fett gedruckten Zahlen beziehen sich auf die Allgemeine Montage und die Teileliste auf den Seiten 18, 19 und 20.

- \*Wartungskit auf Seite 13
- Verbinden Sie den Ersatz für die \*Schnellkupplung - Innengewinde mit der Schnellkupplung - Außengewinde **9** am Hydraulikschlauch - Zug **25**. Dadurch wird der Druck von der Zugseite des Kolbens **18** gelöst und das Entfernen des Kolbens erleichtert. Hinweis: Aus dem Ersatz für die Schnellkupplung - Innengewinde tritt Hydrauliköl aus.
- Schrauben Sie die \*Kolbenkugel - Vorderseite vorne auf den Kolben **18**.
- Legen Sie den Werkzeugkörper **1** mit dem Mundstück nach oben auf eine Werkbank. Schlagen Sie dann mit einem weichen Schlägel auf den Kolben **18** zur Rückseite des Werkzeugkörpers und aus dem hinteren Ende heraus, wobei darauf zu achten ist, dass die Bohrung im Werkzeugkörper nicht beschädigt wird.
- Beachten Sie, dass beim Entfernen des Kolbens **18** auf der Zugseite des Kolbens **18** aus der Vorder- und Rückseite des Werkzeugkörpers **1** Öl austritt.
- Beim Entfernen des Kolbens **18** wird die vordere Dichtungsstopfbuchse **17** eventuell auf der Kolbenwelle festgehalten. Ist dies der Fall, schrauben Sie die \*Kolbenkugel - Vorderseite ab und ziehen Sie die vordere Dichtungsstopfbuchse vom Kolben ab.
- Entfernen Sie mit einem kleinen Flachsraubendreher die Kolbendichtung **35** und die beiden Anti-Extrusionsringe **34** aus der äußeren Nut des Kolbens **18** und entsorgen Sie diese. Beim Entfernen der Dichtungen ist darauf zu achten, dass die Oberfläche des Kolbens nicht mit dem Schraubendreher beschädigt wird.
- Wenn die vordere Dichtungsstopfbuchse **17** noch im Werkzeugkörper **1** steckt: Legen Sie den Werkzeugkörper mit dem Mundstück nach oben auf eine Werkbank und drücken Sie dann die vordere Dichtungsstopfbuchse von vorne, bis sie aus der Aussparung im Werkzeugkörper herausragt. Die vordere Dichtungsstopfbuchse kann dann vom hinteren Ende des Werkzeugkörpers entfernt werden. Achten Sie dabei darauf, dass die Bohrung im Werkzeugkörper nicht beschädigt wird.
- Entfernen Sie mit einem kleinen Flachsraubendreher den O-Ring **38** und den Spiral-Stützring **39** aus der äußeren Nut der vorderen Dichtungsstopfbuchse **17** und entsorgen Sie sie. Beim Entfernen der Dichtungen ist darauf zu achten, dass die Oberfläche der vorderen Dichtungsstopfbuchse nicht mit dem Schraubendreher beschädigt wird.
- Entfernen Sie die Stangendichtung **36** und die Abstreiferdichtung **40** von den inneren Nuten an der vorderen Dichtungsstopfbuchse **17** und entsorgen Sie sie. Beim Entfernen der Dichtungen ist darauf zu achten, dass die Oberfläche der vorderen Dichtungsstopfbuchse nicht mit dem Schraubendreher beschädigt wird.
- Entfernen Sie den vorderen Lagerring **37** und überprüfen Sie ihn auf Verschleiß oder Beschädigung. Gegebenenfalls entsorgen.
- Entfernen Sie den Ersatz für die \*Schnellkupplung - Innengewinde von der Schnellkupplung - Außengewinde **9** am Hydraulikschlauch - Zug **25**.

**Führen Sie die Montage in umgekehrter Reihenfolge der Demontage durch und beachten Sie die folgenden Punkte:**

- Reinigen Sie alle Komponenten vor der Montage.
- Um die Montage der Dichtungen zu erleichtern, tragen Sie eine leichte Beschichtung mit Molykote® 111-Fett auf alle Dichtungen, Dichtungsnuten, Stützringe und die Montagewerkzeuge auf.
- Schieben Sie den O-Ring **38** über die vordere Dichtungsstopfbuchse **17** und in die äußere Nut. Setzen Sie den Spiralstützring **39** in die gleiche Nut vor dem montierten O-Ring ein. Die korrekte Ausrichtung des O-Rings und des Spiralstützrings ist den Hinweisen zur Allgemeinen Montage und der Teileliste zu entnehmen.
- Drücken Sie den vorderen Lagerring **36** in die innere Aussparung innerhalb der vorderen Dichtungsstopfbuchse **17** und montieren Sie dann die Stangendichtung **36** hinter dem vorderen Lagerring. Montieren Sie die Abstreiferdichtung **40** in der vorderen Aussparung der vorderen Dichtungsstopfbuchse. Beachten Sie die Hinweise zur Allgemeinen Montage, um die korrekte Ausrichtung der Stangendichtung und der Abstreiferdichtung sicherzustellen.

- Schmieren Sie die Oberfläche und Vorderkante der Bohrung des Werkzeugkörpers **2**, in die die vordere Dichtungsstopfbuchse **17** eingebaut werden soll, mit Molykote® 111-Fett.
- Schmieren Sie den Zapfen am Werkzeug für die \*Vordere Stopfbuchsenführungsstange und setzen Sie dann die vordere Dichtungsstange **17**, mit dem Ende der Stangendichtung **36** zuerst, vollständig über den Zapfen. Setzen Sie die \*Vordere Stopfbuchsenführungsstange in die Rückseite des Werkzeugkörpers **1** ein und drücken Sie die vordere Dichtungsstopfbuchse vollständig in die Bohrung innerhalb des Werkzeugkörpers. Zum Einsetzen der vorderen Dichtungsstopfbuchse in den Werkzeugkörper ist einige Kraft erforderlich, so dass die Verwendung einer Presse oder eines Schraubstocks erforderlich sein kann. Entfernen Sie die \*Vordere Stopfbuchsenführungsstange und vergewissern Sie sich, dass die vordere Dichtungsstopfbuchse dabei an ihrem Platz bleibt.
- Schmieren Sie die Dichtungsnut und den großen Außendurchmesser des Kolbens **18** mit Molykote® 111-Fett. Schieben Sie die Kolbendichtung **35** über die Vorderseite des größeren Kolbendurchmessers und in die Dichtungsnut. Installieren Sie zwei Anti-Extrusionsringe **34** in die Kolbendichtungsnut, eine an jeder Seite der Kolbendichtung.
- Schrauben Sie die \*Kolbenkugel - Vorderseite vorne auf den Kolben **18**. Schmieren Sie \*Kolbenkugel - Vorderseite, Kolbenwelle und Kolbendichtung **35** mit Molykote® 111-Fett.

Alle fett gedruckten Zahlen beziehen sich auf die Allgemeine Montage und die Teileliste auf den Seiten 18, 19 und 20.

\* Wartungskit auf Seite 13

- Schrauben Sie die \*Kolbenführungshülse vollständig in die Rückseite des Werkzeugkörpers **1**. Schmieren Sie die Bohrungen sowohl im Werkzeugkörper als auch in der \*Kolbenführungshülse mit Molykote® 111-Fett.
- Verbinden Sie den Ersatz für die \*Schnellkupplung - Innengewinde mit der Schnellkupplung - Außengewinde **9** am Hydraulikschlauch - Zug **25**. Dadurch kann beim Einsetzen des Kolbens Luft von der Zugseite von Kolben **18** abgelassen werden.
- Stecken Sie den montierten Kolben **18** in die Rückseite des Werkzeugkörpers **1** und durch die montierte vordere Dichtungsstopfbuchse **17**. Drücken Sie den Kolben in die ganz nach vorne gerichtete Position, bis er an der vorderen Dichtungsstopfbuchse stoppt. Hydrauliköl wird aus dem Hydraulikschlauch - Zug **25** ausgestoßen.
- Entfernen Sie den Ersatz für die \*Schnellkupplung - Innengewinde von der Schnellkupplung - Außengewinde **9** am Hydraulikschlauch - Zug **25**. Entfernen Sie die \*Kolbenführungshülse von der Rückseite des Werkzeugkörpers **1**.
- Schieben Sie den O-Ring **31** über die hintere Dichtungsstopfbuchse **16** und in die äußere Nut. Setzen Sie den Spiral-Stützring **30** in die gleiche Nut hinter dem montierten O-Ring ein. Die korrekte Ausrichtung des O-Rings und des Spiralstützrings ist den Hinweisen zur Allgemeinen Montage und der Teileliste zu entnehmen.
- Drücken Sie den hinteren Lagerring **32** in die innere Aussparung innerhalb der hinteren Dichtungsstopfbuchse **16** und montieren Sie dann die Stangendichtung **29** hinter dem hinteren Lagerring. Montieren Sie die Abstreiferdichtung **33** in der hinteren Aussparung der hinteren Dichtungsstopfbuchse. Beachten Sie die Hinweise zur Allgemeinen Montage, um die korrekte Ausrichtung der Stangendichtung und der Abstreiferdichtung sicherzustellen.
- Klemmen Sie den Werkzeuggriff so in einen Schraubstock mit weichen Backen, dass das Werkzeug mit dem Mundstück nach unten zeigt.
- Schmieren Sie die Oberfläche und Vorderkante der Bohrung des Werkzeugkörpers **1**, in die die hintere Dichtungsstopfbuchse **16** eingebaut werden soll, mit Molykote® 111-Fett. Schmieren Sie die hintere Kolbenwelle **18** mit Molykote® 111-Fett.
- Setzen Sie die \*Kolbenkugel - Hinten in die hintere Kolbenwelle **18** ein und schmieren Sie sie mit Molykote® 111-Fett.
- Füllen Sie die Rückseite des Werkzeugkörpers **1** mit Enerpac® HF-Hydrauliköl. Der Ölstand sollte knapp über der hinteren Einlassbohrung im Werkzeugkörper liegen.
- Verbinden Sie den Ersatz für die \*Schnellkupplung - Außengewinde mit der Schnellkupplung - Innengewinde **10** am Hydraulikschlauch - Rückzug **24**. Dadurch kann beim Einsetzen der hinteren Dichtungsstopfbuchse **16** Luft von der Rückzugseite des Kolbens **18** abgelassen werden. Hinweis: Aus dem Ersatz für die Schnellkupplung - Innengewinde kann Hydrauliköl austreten.
- Setzen Sie die hintere Dichtungsstopfbuchse **16** auf die \*Kolbenkugel - Hinten. Schieben Sie dann die hintere

Dichtungsstopfbuchse über die Kolbenwelle **18** und in die Rückseite des Werkzeugkörpers **1**. Schieben Sie die hintere Dichtungsstopfbuchse in den Werkzeugkörper, bis einige Innengewinde auf der Rückseite des Werkzeugkörpers freiliegen. Achten Sie beim Einsetzen der hinteren Dichtungsstopfbuchse darauf, den O-Ring **31** und den Spiral-Stützring **30** am Gewinde nicht zu beschädigen.

- Schmieren Sie sowohl das Innengewinde im Werkzeugkörper **1** als auch das Außengewinde der Endkappe **15** mit MolyLithium-Fett.
- Schrauben Sie die Endkappe **15** mit dem \*Endkappenbaugruppenwerkzeug vollständig in die Rückseite des Werkzeugkörpers **1**. Dabei wird die hintere Dichtungsstopfbuchse **16** in den Werkzeugkörper **1** gedrückt und es tritt eine kleine Menge Öl aus dem Hydraulikschlauch - Rückzug **24** aus.
- Entfernen Sie den Ersatz für die \*Schnellkupplung - Außengewinde von der Schnellkupplung - Innengewinde **11** am Hydraulikschlauch - Rückzug **24**.
- Schieben Sie den Abweiser **3** auf die Endkappe **15**.
- Saugen Sie Hydraulikflüssigkeit für das Setzwerkzeug an, siehe „Vorbereitung der Arbeit“ auf Seite **10**.

#### Schlauchmontage:

- Entfernen Sie die beiden Schrauben **8** mit einem 3,0-mm-Inbusschlüssel von der Schlauchschelle **13**. Entfernen Sie die Schlauchschelle und den Schelleneinsatz **26** von der Schutzhülle **27** und den Hydraulikschläuchen - Rückzug **24** und Zug **25**.
- Drücken Sie mit dem kleinen Flachschaubenzieher den Griffhalter **7** aus den Griffleisten **11** und **12** heraus. Ziehen Sie den Griffhalter über Schutzhülle **27**, Hydraulikschläuche - Rückzug **24** und **25** und entfernen Sie ihn.
- Schrauben Sie mit einem 3,0-mm-Inbusschlüssel (und einem 7,0-mm-Schraubenschlüssel an der unteren Mutter) die vier Schrauben **20** ab, die die Griffleisten **11** und **12** zusammenhalten, und entfernen Sie sie.

Alle fett gedruckten Zahlen beziehen sich auf die Allgemeine Montage und die Teileliste auf den Seiten 18, 19 und 20.

\* Wartungskit auf Seite 13

- Der Auslöser **6** ist mit dem Steuerkabel verlötet. Entfernen Sie diese Baugruppe von den Griffen **11** und **12**. Die Kabelstopfbuchse **22** ist Teil dieser Baugruppe.
- Schneiden Sie den Kabelbinder **43** ab und schieben Sie die Schutzhülle **27** nach hinten, um die Armaturen an den Hydraulikschläuchen **24** und **25** freizulegen. Die Hydraulikschläuche können mit 12- und 14-mm-Schlüsseln vom Werkzeugkörper **1** entfernt werden.
- Die Schnellkupplungen - Außengewinde **9** und Innengewinde **10** können mit 18- und 24-mm-Schraubenschlüsseln von den Hydraulikschläuchen **24** und **25** entfernt werden.

#### Führen Sie die Montage in umgekehrter Reihenfolge der Demontage durch und beachten Sie die folgenden Punkte:

- Reinigen Sie vor der Montage alle Gewinde an den Schnellkupplungen - Außengewinde **9** und Innengewinde **10** und an den Hydraulikschläuchen - Rückzug **24** und Zug **25**. Kleben Sie dann zwei bis drei Schichten 10-mm-PTFE-Band auf die Außengewinde der beiden Hydraulikschläuche.
- Nach der Montage gemäß den Anweisungen auf Seite 10 Hydraulikflüssigkeit für das Werkzeug ansaugen.

#### 5.8 UMWELTSCHUTZ

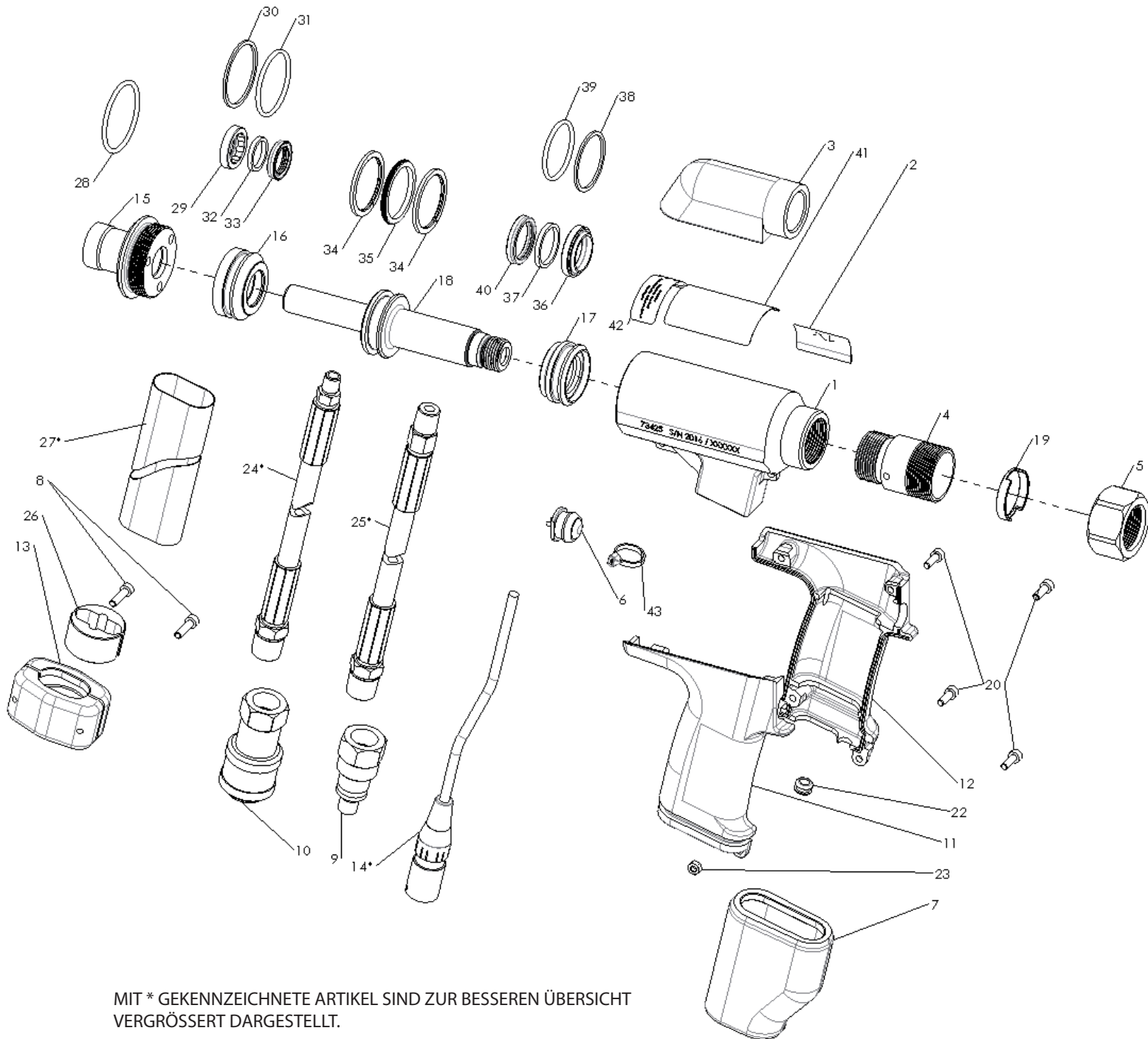
- Geltende Vorschriften zur Abfallentsorgung beachten. Entsorgen Sie alle Abfallprodukte in einer zugelassenen Entsorgungseinrichtung, um Personen und Umwelt nicht zu gefährden.

Alle **fett gedruckten** Zahlen beziehen sich auf die Allgemeine Montage und die Teileliste auf den Seiten 18, 19 und 20.

\*Wartungskit auf Seite 13.

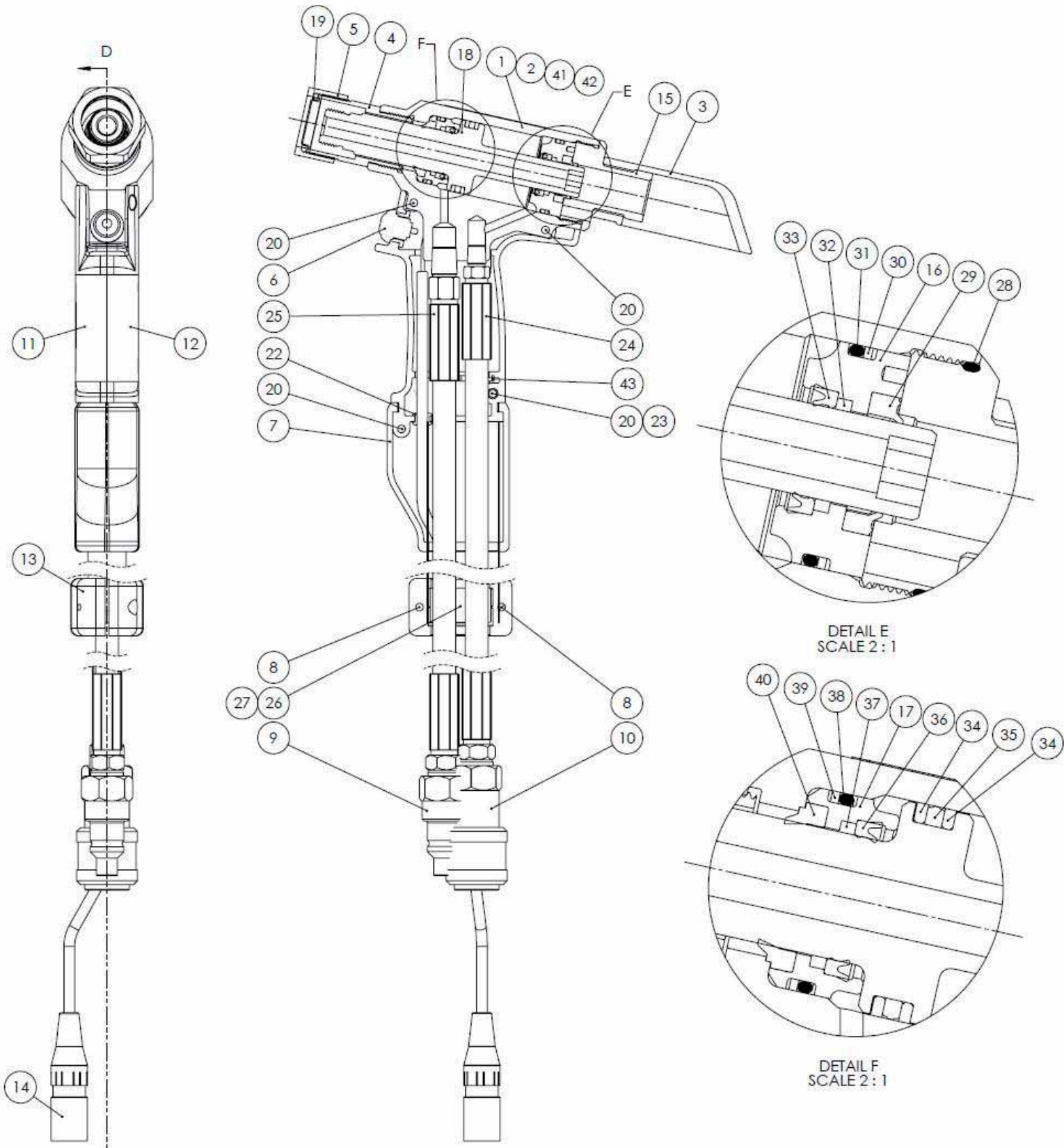
## 6. ALLGEMEINE MONTAGE UND TEILELISTE

### 6.1 ALLGEMEINE MONTAGE



MIT \* GEKENNZEICHNETE ARTIKEL SIND ZUR BESSEREN ÜBERSICHT VERGRÖSSERT DARGESTELLT.





## 6.2 TEILELISTE

73425-02000 TEILELISTE			
ELEMENT Nr.	ARTIKELNUMMER	BESCHREIBUNG	MENGE
1	73425-02003	AV®5 Kopf	1
2	73425-02014	AV®5 Etikett	1
3	73200-02030	Blech	1
4	73200-02041	Adapter	1
5	73200-02042	Haltemutter	1
6	73425-02013	Auslöserbaugruppe	1
7	73430-02020	Griffhalter	1
8	07001-00686	M4 Innensechskantschraube	2
9	07005-10118	Schnellkupplung - Außengewinde	1
10	07005-10120	Schnellkupplung - Innengewinde	1
11	73425-02009	Griffleiste - Links	1
12	73425-02015	Griffleiste - Rechts	1
13	73430-02023	Schlauchschelle	1
14	07007-02105	Steuerkabel	1
15	73425-02007	Endkappe	1
16	73425-02006	Hinterere Dichtungsstopfbuchse	1
17	73425-02005	Vordere Dichtungsstopfbuchse	1
18	73425-02011	Luftkolben	1
19	73200-02043	Adapterring	1
20	07001-00688	M4 Innensechskantschraube	4
22	07007-02140	Gummitülle	1
23	07002-00134	M4-Mutter	1
24	07005-10119	Hydraulikschlauch - Rückzug	1
25	07005-10117	Hydraulikschlauch - Zug	1
26	73430-02024	Schelleneinsatz	1
27	07005-10121	Schutzhülle	0,4 m
28	07003-00308	O-Ring	1
29	07003-00442	Abstreiferdichtung	1
30	07003-00527	Spiral-Stützring	1
31	07003-00526	O-Ring	1
32	73430-02010	Hinterer Lagerring	1
33	07003-00441	Stangendichtung	1
34	07003-00521	Anti-Extrusionsring	2
35	07003-00520	Kolbendichtung	1
36	07003-00523	Stangendichtung	1
37	73200-03104	Lagerring	1
38	07003-00524	O-Ring	1
39	07003-00525	Spiral-Stützring	1
40	07003-00522	Abstreiferdichtung	1
41	73425-02016	Sicherheitsetikett	1
42	07007-01504	CE-Etikett	1
43	07007-02032	Kabelbinder	1



## 7. SICHERHEITSDATEN

### 7.1 Enerpac® HF HYDRAULIKÖL - SICHERHEITSDATEN

#### ERSTE HILFE

##### HAUT:

Schäden an der Haut bei kurzem oder gelegentlichem Kontakt unwahrscheinlich, aber längere Exposition kann zu Dermatitis führen. Sobald wie möglich gründlich mit Seife und Wasser waschen. Stark verschmutzte Kleidung wechseln und Haut abwaschen.

##### EINNEHMEN:

Bei Verschlucken in geringen Dosen sind Schäden unwahrscheinlich, größere Mengen können zu Übelkeit und Durchfall führen. Bei Eindringen in den Mund diesen gründlich mit Wasser ausspülen. Außer bei Vorsatz ist die Einnahme großer Mengen des Produktes unwahrscheinlich. Bei Einnahme keinen Brechreiz herbeiführen sondern Arzt aufsuchen. Betroffene Person zum nächsten Arzt oder Krankenhaus bringen.

##### AUGEN:

Bei unbeabsichtigtem Augenkontakt können vorübergehendes Brennen oder Rötung auftreten. Augen gründlich mit viel Wasser ausspülen und dabei Augenlider offenhalten. Arzt aufsuchen, wenn Schmerzen oder Rötungen auftreten oder anhalten.

##### MEDIZINISCHER HINWEIS:

Eine Behandlung sollte im Allgemeinen symptomatisch erfolgen und auf die Linderung der Auswirkungen ausgerichtet sein.

##### Hinweis: Hochdruckanwendungen:

Eindringungen durch die Haut, die durch den Kontakt mit dem Produkt unter hohem Druck entstehen, stellen einen schweren medizinischen Notfall dar. Solche Verletzungen mögen zunächst nicht schwerwiegend erscheinen, aber innerhalb weniger Stunden schwillt das Gewebe an, verfärbt sich und ist äußerst schmerzhaft, da ausgedehnte subkutane Nekrosen entstehen.

Es sollte unverzüglich eine chirurgische Untersuchung erfolgen. Eine gründliche und umfassende Ausschneidung der Wunde und des darunter liegenden Gewebes ist notwendig, um den Gewebeverlust zu minimieren und bleibende Schäden zu verhindern oder zu begrenzen. Beachten Sie, dass der hohe Druck das Produkt über beträchtliche Entfernungen entlang der Gewebeebenen drücken kann.

#### ENTSORGUNG

Verschüttetes Material mit flüssigkeitsbindendem Material aufnehmen. Austrittsbereich lüften. Kontaminierte Materialien in einem Einwegbehälter und in Übereinstimmung mit den örtlichen Vorschriften entsorgen.

#### BRAND

FLAMMPUNKT: 200°C.

Geeignete Löschmittel sind entweder Trockenlöschmittel, Schaum oder Kohlendioxid. Geschlossene Räume nur mit unabhängigem Atemschutzgerät betreten.

#### HANDHABUNG

Schutzcreme oder ölfeste Handschuhe verwenden.

#### LAGERUNG

Abgedeckt und im Einklang mit örtlichen Vorschriften für brennbare Materialien.

### 7.2 SICHERHEITSDATEN ZU MOLY-LITHIUM-FETT EP 3753

Fett kann als Einzelartikel bestellt werden, die Teilenummer ist im Wartungskit auf Seite 12 angegeben.

#### ERSTE HILFE

##### HAUT:

Da das Fett vollständig wasserabweisend ist, wird es am besten mit einem zugelassenen emulgierenden Hautreiniger entfernt.

##### VERSCHLUCKEN:

Sicherstellen, dass die Person 30 ml Magnesium zu sich nimmt, vorzugsweise in Form einer Tasse Milch.

##### AUGEN:

Reizend, aber nicht schädlich. Mit Wasser spülen und Arzt aufsuchen.

#### BRAND

FLAMMPUNKT: Über 220°C.

Nicht als brennbar eingestuft.

Geeignete Löschmittel: CO<sub>2</sub>, Halon oder Wasserspray, wenn von einem erfahrenen Betreiber angewendet.

#### UMWELT

Zusammenkratzen und zur Verbrennung oder Entsorgung zur zugelassenen Stelle bringen.

**HANDHABUNG**

Schutzcreme oder ölfeste Handschuhe verwenden

**LAGERUNG**

Von Hitze und Oxidationsmitteln fernhalten.

**7.3 SICHERHEITSDATEN ZU MOLYKOTE® 111-FETT**

Fett kann als Einzelartikel bestellt werden, die Teilenummer ist im Wartungskit auf Seite 12 angegeben.

**ERSTE HILFE**

HAUT:

Erste Hilfe sollte nicht benötigt werden.

VERSCHLUCKEN:

Erste Hilfe sollte nicht benötigt werden.

AUGEN:

Erste Hilfe sollte nicht benötigt werden.

EINATMEN:

Erste Hilfe sollte nicht benötigt werden.

**BRAND**

FLAMMPUNKT: Über 101,1°C. (geschlossener Tiegel)

Explosive Eigenschaften: Nein

Geeignete Löschmittel: Kohlendioxid-Schaum, Trockenpulver oder Feinwasserspray. Zum Abkühlen von feuerbelasteten Behältern kann Wasser verwendet werden.

**UMWELT**

Es werden keine Nebenwirkungen vorhergesagt.

**HANDHABUNG**

Allgemeine Belüftung wird empfohlen. Augenkontakt vermeiden.

**LAGERUNG**

Nicht zusammen mit Oxidationsmitteln lagern. Behälter aufbewahren und von Wasser oder Feuchtigkeit fernhalten.

## 8. FEHLERSUCHE

SYMPTOM	MÖGLICHE URSACHE	ABHILFE	SIEHE SEITE
Das Setzwerkzeug funktioniert nicht	Pumpeneinheit außer Betrieb	Spannungsversorgung der Pumpe überprüfen und Betriebsanleitung der Pumpeneinheit beachten	
	Schnellkupplungen <b>9</b> und <b>10</b> defekt	Schnellkupplungen austauschen	19
	Auslösersteuerkabel <b>14</b> nicht richtig angeschlossen	Überprüfen, ob das Steuerkabel korrekt mit Pumpe und Setzgerät verbunden ist	10
	Auslöseschalter <b>6</b> oder Steuerkabel <b>14</b> beschädigt	Auslöseschalter bzw. Steuerkabel austauschen	19
Auslöseschalter <b>7</b> funktioniert nicht	Pumpe im lokalen Modus	Betriebsanleitung der Pumpe beachten	
	Auslöseschalter <b>6</b> , Steuerkabel <b>14</b> oder Stecker beschädigt	Auslöseschalter bzw. Steuerkabel austauschen	19
Pumpe läuft, aber das Setzwerkzeug funktioniert nicht	Hydraulikschläuche nicht angeschlossen	Überprüfen, ob die Anschlüsse an Pumpe und Setzwerkzeug korrekt sind	10
	Niedriger Ölstand	Sicherstellen, dass das Setzwerkzeug mit Öl gefüllt ist und die Hydraulikflüssigkeit richtig angesaugt wurde Betriebsanleitung der Pumpe beachten	10
	Externe Ölleckage am Setzwerkzeug	Setzwerkzeug prüfen – verschlissene oder beschädigte Teile ersetzen	14 - 17
	Externe Ölleckage an der Schlauchbaugruppe	Schlauchbaugruppe prüfen – Schlauchverbindungen auf Dichtheit prüfen und/oder beschädigte Schlauchverbindungen ersetzen	19
	Interne/externe Ölleckage an der Pumpe	Betriebsanleitung der Pumpe beachten	
Setzwerkzeug arbeitet unregelmäßig	Hydraulikdruckversorgung zu niedrig oder unregelmäßig	Betriebsanleitung der Pumpe beachten	
	Hydraulikdichtungen im Setzwerkzeug verschlissen oder beschädigt	Setzwerkzeug prüfen – verschlissene oder beschädigte Dichtungen ersetzen	14 - 17
	Hydraulikdichtungsflächen im Setzwerkzeug verschlissen oder beschädigt	Setzwerkzeug prüfen – verschlissene oder beschädigte Teile ersetzen	14 - 17
	Interne/externe Ölleckage an der Pumpe	Betriebsanleitung der Pumpe beachten	
Pumpe baut vollen Druck auf, aber das Stiftende bricht nicht ab	Bruchlast größer als die Setzwerkzeugkapazität bei vollem Druck	Spezifikation des Setzwerkzeugs beachten	7
	Durchfluss zum Setzwerkzeug blockiert	Schnellkupplungen <b>9</b> und <b>10</b> auf vollständiges Einrasten überprüfen	10
	Pumpendruckbegrenzungswert zu niedrig eingestellt	Einstellungen des Druckbegrenzungsventils justieren; Betriebsanleitung der Pumpe beachten	
	Zugnuten am Stiftende des Verbindungselements abgeschliffen	Siehe Symptom auf Seite 24	11
	Unsachgemäße Bedienung des Werkzeugs		11

SYMPTOM	MÖGLICHE URSACHE	ABHILFE	SIEHE SEITE
Setzwerkzeugkolben <b>1</b> kehrt nicht zurück	Rückzug eingeschränkt oder blockiert	Schnellkupplungen <b>9</b> und <b>10</b> auf vollständiges Einrasten bzw. Fehler überprüfen	10
	Hydraulikschläuche nicht angeschlossen	Überprüfen, ob die Anschlüsse an Pumpe und Setzwerkzeug korrekt sind	10
	Fehlfunktion des Pumpenventils	Betriebsanleitung der Pumpe beachten	
Setzwerkzeug wirft Bund nicht aus dem Amboss heraus	Falsche Einstellung des Pumpenrückzug-Timers – zu niedrig	Rückzug-Timer auf die empfohlene Einstellung setzen; Betriebsanleitung der Pumpe beachten	
	Pumpenrücklaufdruckbegrenzungswert zu niedrig eingestellt	Einstellung des Rückschlagventils korrigieren; Betriebsanleitung der Pumpe beachten	
	Hydraulikdruckversorgung zu niedrig oder unregelmäßig	Betriebsanleitung der Pumpe beachten	
	Hydraulikdichtungen im Setzwerkzeug verschlissen oder beschädigt	Setzwerkzeug prüfen – verschlissene oder beschädigte Dichtungen ersetzen	14 - 17
	Hydraulikdichtungsflächen im Setzwerkzeug verschlissen oder beschädigt	Setzwerkzeug prüfen – verschlissene oder beschädigte Teile ersetzen	14 - 17
	Interne/externe Ölleckage an der Pumpe	Betriebsanleitung der Pumpe beachten	
Zugnuten am Stiftende des Verbindungselements beim Setzvorgang abgeschliffen	Der Bediener drückt das Mundstück nicht vollständig auf das Stiftende des Verbindungselements, bevor er das Werkzeug betätigt	Bediener in die richtige Setzmethode einweisen	11
	Falsche Länge des Befestigungselements / Grifflänge Verschlissene oder beschädigte Backensegmente	Richtiges Befestigungsmittel verwenden Backensatz prüfen und ersetzen; Datenblatt zur Nietausrüstung beachten	11
	Ablagerungen in Backensegmenten und/oder Nuten am Stiftende	Backensegmente reinigen; Datenblatt zur Nietausrüstung beachten	
	Übermäßiger Blechabstand	Lücke zwischen den Blechen schließen	11
Avdelok®- oder Avbolt®-Bund nicht vollständig verpresst	Unsachgemäße Bedienung des Werkzeugs		11
	Verschlissene Ambossbohrung	Amboss prüfen und ersetzen; Datenblatt zur Nietausrüstung beachten	
Stiftende löst sich nicht aus der Nietausrüstung	Falsche Montage der Nietausrüstung	Datenblatt zur Nietausrüstung beachten	
Setzwerkzeug und Hydrauliköl werden heiß	Einschränkung in der Hydraulikleitung	Hydraulische Schnellkupplungen <b>9</b> und <b>10</b> prüfen und ggf. austauschen	19
	Hohe Umgebungstemperatur		
An hydraulischen Schnellkupplungen <b>9</b> und <b>10</b> tritt Öl aus	Verschlissener O-Ring im Gehäuse von Schnellkupplung - Außengewinde <b>9</b>	O-Ring und Stützring in der Schnellkupplung <b>9</b> austauschen	19

Alle **fett gedruckten** Zahlen beziehen sich auf die Allgemeine Montage und die Teileliste auf den Seiten 18, 19 und 20.

\* Wartungskit auf Seite 13.

## 9. EC-KONFORMITÄTSERKLÄRUNG

Wir, **Stanley Engineered Fastening, Stanley House, Works Road, Letchworth Garden City, Hertfordshire, SG6 1JY GROSSBRITANNIEN**, erklären in unserer alleinigen Verantwortung, dass das Produkt:

**Beschreibung:** HYDROELEKTRISCHES SETZGERÄT

**Modell:** AV<sup>®</sup> 5 STRUKTURNIETWERKZEUG – 73425-02000

auf das sich diese Erklärung bezieht, mit den folgenden harmonisierten Normen übereinstimmt:

ISO 12100:2010	EN ISO 3744:2010
EN ISO 11202:2010	EN ISO 11148-1:2011
EN ISO 4413:2010	EN ISO 20643:2008+A1:2012
EN ISO 4414:2010	ES100118-Rev 17:2017
EN ISO 28927-5:2009+A1:2015	

Die technische Dokumentation wird in Übereinstimmung mit Anhang 1, Abschnitt 1.7.4.1 zusammengestellt, und zwar in Übereinstimmung mit der folgenden Richtlinie: **2006/42/EG Maschinenrichtlinie** (siehe Verordnungen 2008 Nr. 1597 - Bereitstellung von Richtlinien zur Maschinensicherheit).

Der Unterzeichner gibt diese Erklärung ab im Namen von STANLEY Engineered Fastening.



**A. K. Seewraj**

**Director of Engineering, UK**

Avdel UK Limited, Stanley House, Works Road, Letchworth Garden City, Hertfordshire, SG6 1JY, GROSSBRITANNIEN

**Ort der Ausstellung:** Letchworth Garden City, UK

**Datum der Ausstellung:** 24-08-2021

Der Unterzeichnete ist verantwortlich für die Zusammenstellung des technischen Dossiers für Produkte, die in der Europäischen Union verkauft werden, und gibt diese Erklärung im Namen von Stanley Engineered Fastening ab.

**Matthias Appel**

**Teamleiter Technische Dokumentation**

Stanley Engineered Fastening, Tucker GmbH, Max-Eyth-Str.1, 35394 Gießen, Deutschland



Diese Maschine entspricht der  
Maschinenrichtlinie 2006/42/EC

**STANLEY**  
Engineered Fastening

## 10. GB-KONFORMITÄTSERKLÄRUNG

Wir, **Stanley Engineered Fastening, Stanley House, Works Road, Letchworth Garden City, Hertfordshire, SG6 1JY GROSSBRITANNIEN**, erklären in unserer alleinigen Verantwortung, dass das Produkt:

**Beschreibung:** **HYDROELEKTRISCHES SETZGERÄT**

**Modell:** **AV<sup>®</sup> 5 STRUKTURNIETWERKZEUG – 73425-02000**

auf das sich diese Erklärung bezieht, mit den folgenden harmonisierten Normen übereinstimmt:

ISO 12100:2010	EN ISO 3744:2010
EN ISO 11202:2010	EN ISO 11148-1:2011
EN ISO 4413:2010	EN ISO 20643:2008+A1:2012
EN ISO 4414:2010	ES100118-Rev 17:2017
EN ISO 28927-5:2009+A1:2015	

Die technische Dokumentation wurde in Übereinstimmung mit der Supply of Machinery (Safety) Regulations 2008, S.I. 2008/1597 (in der jeweils gültigen Fassung) erstellt.

Der Unterzeichner gibt diese Erklärung ab im Namen von STANLEY Engineered Fastening



**A. K. Seewraj**

**Director of Engineering, UK**

Avdel UK Limited, Stanley House, Works Road, Letchworth Garden City, Hertfordshire, SG6 1JY, GROSSBRITANNIEN

**Ort der Ausstellung:** **Letchworth Garden City, UK**

**Datum der Ausstellung:** **24-08-2021**



Diese Maschine ist konform mit  
Supply of Machinery (Safety) Regulations 2008,  
S.I. 2008/1597 (in der geänderten Fassung)

## 11. SCHÜTZEN SIE IHRE INVESTITION!

### **Stanley® Engineered Fastening BLINDNIETWERKZEUG – GARANTIE**

STANLEY® Engineered Fastening garantiert, dass alle Elektrowerkzeuge sorgfältig hergestellt wurden und dass sie bei normalem Gebrauch und normaler Wartung für einen Zeitraum von einem (1) Jahr frei von Material- und Verarbeitungsfehlern sind.

Diese Garantie gilt nur für den ursprünglichen Käufer des Werkzeugs und für die ursprüngliche Nutzung.

#### **Ausschlüsse:**

##### **Normaler Verschleiß.**

Regelmäßige Wartung, Reparatur und Ersatzteilbedarf aufgrund normaler Abnutzung sind von der Garantie ausgeschlossen.

##### **Missbrauch & Fehlbedienung.**

Defekte oder Schäden, die durch unsachgemäßen Betrieb, Lagerung, Missbrauch oder Fehlbedienung, Unfall oder Nachlässigkeit entstehen, sowie physische Schäden sind von der Garantie ausgeschlossen.

##### **Unbefugte Wartung oder Änderung.**

Defekte oder Schäden, die auf irgendeine Weise durch Kundendienst, Prüfung, Einstellung, Installation, Wartung, Änderung oder Modifikation entstehen, die von anderen Stellen als von STANLEY® Engineered Fastening oder einer autorisierten Kundendienststelle vorgenommen wurden, sind von der Garantie ausgeschlossen.

Alle anderen Garantien, ob ausdrücklich oder impliziert, einschließlich Garantien der Marktgängigkeit oder Eignung für einen bestimmten Zweck, sind ausgeschlossen.

Sollte dieses Werkzeug die Garantiebedingungen erfüllen, bringen Sie es unverzüglich zu einer autorisierten Kundendienststelle an einem Standort in Ihrer Nähe. Für eine Liste der autorisierten STANLEY® Engineered Fastening-Kundendienststellen in den USA oder Kanada rufen Sie uns gebührenfrei an unter: (877) 364 2781.

Von außerhalb der USA und Kanada besuchen Sie unsere **Website [www.STANLEYEngineeredFastening.com](http://www.STANLEYEngineeredFastening.com)**, wo Sie eine Filiale von STANLEY® Engineered Fastening in Ihrer Nähe finden.

STANLEY® Engineered Fastening wird dann kostenlos alle Teile austauschen, die von uns aufgrund von fehlerhaftem Material oder Verarbeitung als defekt festgestellt wurden und das Werkzeug mit bezahlten Versandkosten zurücksenden. Das ist unsere einzige Verpflichtung unter dieser Garantie.

In keinem Fall ist STANLEY® Engineered Fastening haftbar für irgendwelche Folge- oder speziellen Schäden, die aus dem Kauf oder der Verwendung dieses Werkzeugs entstehen.

#### **Registrieren Sie Ihr Blindnietwerkzeug online.**

Um Ihre Garantie online zu registrieren, besuchen Sie uns unter:

<https://www.stanleyengineeredfastening.com/support/warranty-registration-form>

Vielen Dank, dass Sie sich für ein Werkzeug von STANLEY® Engineered Fastenings Marke Stanley Assembly Technologies entschieden haben.

©2021 by STANLEY Black & Decker brand  
Tutti i diritti riservati.

Le informazioni riportate in questo manuale non possono essere riprodotte e/o rese pubbliche in alcun modo e con alcun mezzo (elettronico o meccanico) senza la preventiva ed esplicita autorizzazione scritta di STANLEY Engineered Fastening. Le informazioni fornite si basano su dati noti al momento dell'uscita sul mercato del prodotto. STANLEY Engineered Fastening persegue una politica di continuo miglioramento dei propri prodotti, pertanto essi potrebbero essere soggetti a modifiche. Le informazioni qui riportate sono applicabili al prodotto così come è stato fornito da STANLEY Engineered Fastening, pertanto STANLEY Engineered Fastening non può essere ritenuta responsabile a fronte di eventuali danni derivanti da possibili deviazioni dalle specifiche originali del prodotto.





Le informazioni disponibili sono state redatte con la massima cura, tuttavia STANLEY Engineered Fastening declina ogni responsabilità per quanto riguarda eventuali errori presenti nelle informazioni e le relative conseguenze. STANLEY Engineered Fastening non accetta alcuna responsabilità per danni derivanti da attività svolte da terzi. L'utilizzo di nomi operativi, nomi commerciali, marchi registrati, ecc. da parte di STANLEY Engineered Fastening non dovrà essere considerato libero, ai sensi della legislazione vigente in materia di protezione dei marchi.

## CONTENUTO

<b>1. DEFINIZIONI DI SICUREZZA .....</b>	<b>3</b>
1.1 <i>NORME DI SICUREZZA GENERALI.....</i>	3
1.2 <i>PERICOLI ASSOCIATI ALL'ESPULSIONE DI PARTI E FRAMMENTI .....</i>	4
1.3 <i>PERICOLI OPERATIVI .....</i>	4
1.4 <i>PERICOLI ASSOCIATI AI MOVIMENTI RIPETITIVI.....</i>	4
1.5 <i>PERICOLI RIGUARDANTI GLI ACCESSORI .....</i>	4
1.6 <i>PERICOLI RIGUARDANTI IL LUOGO DI LAVORO .....</i>	4
1.7 <i>PERICOLI ASSOCIATI AL RUMORE.....</i>	5
1.8 <i>PERICOLI ASSOCIATI ALLA VIBRAZIONE.....</i>	5
1.9 <i>ISTRUZIONI DI SICUREZZA AGGIUNTIVE PER GLI UTENSILI ELETTROIDRAULICI.....</i>	5
<b>2. DATI TECNICI.....</b>	<b>6</b>
2.1 <i>USO PREVISTO .....</i>	6
2.2 <i>SPECIFICHE TECNICHE DELL'UTENSILE.....</i>	6
2.3 <i>DIMENSIONI DELL'UTENSILE .....</i>	7
<b>3. MESSA IN SERVIZIO.....</b>	<b>8</b>
3.1 <i>PRINCIPIO DI FUNZIONAMENTO .....</i>	8
3.2 <i>PREPARAZIONE PER L'USO .....</i>	9
<b>4. ISTRUZIONI D'USO .....</b>	<b>10</b>
4.1 <i>COME INSTALLARE UN RIVETTO AVBOLT®.....</i>	10
4.2 <i>COME INSTALLARE UN RIVETTO AVDELOK® .....</i>	10
4.3 <i>COME INSTALLARE UN RIVETTO NEOBOLT® .....</i>	11



<b>5. MANUTENZIONE DELL'UTENSILE .....</b>	<b>12</b>
5.1 MANUTENZIONE GIORNALIERA .....	12
5.2 MANUTENZIONE SETTIMANALE.....	12
5.3 MANUTENZIONE ANNUALE / OGNI 250.000 OPERAZIONI.....	12
5.4 KIT DI MANUTENZIONE .....	12
5.5 ATTREZZI PER LA MANUTENZIONE.....	13
5.6 OLIO IDRAULICO .....	13
5.7 ISTRUZIONI PER LO SMONTAGGIO.....	13
5.8 PROTEZIONE DELL'AMBIENTE.....	16
<b>6. DISEGNO ESPLOSO ED ELENCO DEI COMPONENTI.....</b>	<b>17</b>
6.1 DISEGNO ESPLOSO.....	17
6.2 ELENCO DEI COMPONENTI.....	19
<b>7. DATI DI SICUREZZA .....</b>	<b>20</b>
7.1 DATI DI SICUREZZA OLIO IDRAULICO Enerpac® HF.....	20
7.2 DATI DI SICUREZZA GRASSO AL LITIO-MOLIBDENO EP 3753.....	20
7.3 DATI DI SICUREZZA GRASSO Molykote® 111 .....	21
<b>8. DIAGNOSTICA .....</b>	<b>22</b>
<b>9. DICHIARAZIONE DI CONFORMITÀ CE .....</b>	<b>24</b>
<b>10. DICHIARAZIONE DI CONFORMITÀ PER IL REGNO UNITO .....</b>	<b>25</b>
<b>11. PROTEGGETE IL VOSTRO INVESTIMENTO! .....</b>	<b>26</b>

	Questo manuale di istruzioni deve essere letto dalla persona che installa o utilizza l'utensile, con particolare attenzione alle avvertenze e istruzioni di sicurezza riportate di seguito.
	Durante l'impiego del prodotto indossare sempre un dispositivo di protezione degli occhi resistente agli urti. Il grado di protezione richiesto deve essere valutato per ciascuna applicazione.
	L'uso del prodotto può esporre le mani dell'operatore a pericoli, quali schiacciamenti, urti, tagli, abrasioni e calore. Indossare guanti adatti per proteggere le mani.
	Utilizzare protezioni acustiche in conformità con le istruzioni del proprio datore di lavoro e secondo quanto previsto dalle normative sulla salute e sicurezza sul lavoro.

## 1. DEFINIZIONI DI SICUREZZA

Le definizioni riportate di seguito descrivono il livello di criticità di ciascuna indicazione. Leggere attentamente il manuale, prestando attenzione a questi simboli.



**PERICOLO:** indica una situazione di pericolo imminente che, se non evitata, provoca lesioni personali gravi o addirittura letali.



**AVVERTENZA:** indica una situazione potenzialmente pericolosa che, se non evitata, può causare morte o lesioni personali gravi.



**ATTENZIONE:** indica una situazione potenzialmente pericolosa che, se non evitata, potrebbe provocare lesioni personali di gravità lieve o media.



**ATTENZIONE:** quando è riportata senza il simbolo di avviso per la sicurezza, questa indicazione avverte di una situazione di potenziale pericolo che, se non evitata, potrebbe causare danni alla proprietà.

**L'uso o la manutenzione impropri di questo elettroutensile potrebbero causare gravi danni a persone e cose.**

**Leggere e comprendere tutte le avvertenze e le istruzioni operative prima di utilizzare questo elettroutensile.**

**Quando si utilizzano**

**degli elettroutensili è sempre necessario seguire le precauzioni di sicurezza di base per ridurre il rischio di lesioni alle persone.**

### CONSERVARE TUTTE LE AVVERTENZE E LE ISTRUZIONI PER FUTURE CONSULTAZIONI.

#### 1.1 NORME DI SICUREZZA GENERALI

- Per pericoli multipli, leggere e comprendere le istruzioni di sicurezza prima di installare, utilizzare, riparare, mantenere, sostituire gli accessori o lavorare vicino all'elettroutensile. In caso contrario si può incorrere in gravi lesioni personali.
- Questo elettroutensile deve essere installato, regolato o utilizzato esclusivamente da operatori qualificati e addestrati.
- NON utilizzare questo attrezzo per scopi diversi dall'uso previsto di messa in posa di inserti filettati STANLEY Engineered Fastening.
- Utilizzare solo componenti, dispositivi di fissaggio e accessori raccomandati dal produttore.
- NON modificare l'elettroutensile. Eventuali modifiche possono ridurre l'efficacia delle misure di sicurezza e aumentare i rischi per l'operatore. Qualsiasi eventuale modifica apportata all'attrezzo da parte del cliente sarà sotto la sua totale responsabilità e comporterà l'inefficacia delle garanzie applicabili.
- Non gettare le istruzioni di sicurezza; consegnarle all'operatore.
- Non utilizzare l'elettroutensile se è danneggiato.
- Prima dell'uso, verificare che le parti mobili non siano allineate male o inceppate, che non vi siano componenti rotti e qualsiasi altra condizione che possa influire negativamente sul funzionamento della rivettatrice. Se l'utensile è danneggiato, farlo riparare prima dell'uso. Rimuovere qualsiasi chiave di regolazione o chiave inglese prima dell'uso.
- Ispezionare periodicamente l'elettroutensile per verificare che i valori nominali e i contrassegni richiesti da questa parte della norma ISO 11148 siano marcati in modo leggibile sullo stesso. Laddove necessario, il datore di lavoro/l'operatore dovrà contattare il produttore per ottenere le etichette con le marcature sostitutive.
- L'elettroutensile deve essere sempre mantenuto in condizioni operative sicure e ispezionato a intervalli regolari per verificare la presenza di danni e deve essere messo in funzione da personale qualificato. Qualsiasi procedura di smontaggio deve essere effettuata esclusivamente da personale qualificato. Non smontare questo elettroutensile senza prima avere consultato le istruzioni di manutenzione.

## 1.2 PERICOLI ASSOCIATI ALL'ESPULSIONE DI PARTI E FRAMMENTI

- Scollegare l'utensile dalla pompa prima di eseguire qualsiasi operazione di manutenzione o regolazione dello stesso e prima di inserire o rimuovere una testata o degli accessori.
- Essere consapevoli del fatto che il guasto del pezzo in lavorazione o degli accessori, o persino dello stesso dispositivo di fissaggio inserito, può generare l'espulsione di parti e frammenti ad alta velocità.
- Durante l'impiego del prodotto indossare sempre un dispositivo di protezione degli occhi resistente agli urti. Il grado di protezione richiesto deve essere valutato per ciascuna applicazione.
- Nello stesso tempo dovrebbero essere valutati anche i rischi per le altre persone.
- Assicurarsi che il pezzo in lavorazione sia fissato saldamente.
- Verificare che i sistemi di protezione contro l'espulsione del dispositivo di fissaggio e/o del gambo siano installati e funzionanti.
- Avvisare della possibile espulsione violenta dei gambi dalla parte anteriore dell'attrezzo.
- NON utilizzare l'elettrotensile dirigendolo verso un'altra persona o altre persone.

## 1.3 PERICOLI OPERATIVI

- L'uso del prodotto può esporre le mani dell'operatore a pericoli, quali schiacciamenti, urti, tagli, abrasioni e calore. Indossare guanti adatti per proteggere le mani.
- Gli operatori e il personale addetto alla manutenzione devono essere fisicamente in grado di gestire l'ingombro, il peso e la potenza dell'elettrotensile.
- Sostenere correttamente l'elettrotensile; essere preparati a contrastare movimenti normali o improvvisi e avere entrambe le mani a disposizione.
- Mantenere l'impugnatura dell'utensile asciutta, pulita e priva di olio e grasso.
- Mantenere una postura equilibrata e un appoggio dei piedi sicuro.
- In caso di interruzione dell'alimentazione idraulica rilasciare il dispositivo di avvio e arresto.
- Utilizzare esclusivamente i lubrificanti consigliati dal produttore.
- Evitare il contatto con il fluido idraulico. Per ridurre al minimo il rischio della comparsa di eruzioni cutanee, lavarsi con cura in caso di contatto.
- Le Schede dei dati sicurezza dei materiali (MSDS) relative a tutti gli oli idraulici e i lubrificanti sono disponibili su richiesta presso il proprio fornitore dell'elettrotensile.
- Evitare posture inadatte poiché è probabile che tali posizioni non consentano di contrastare il movimento normale o imprevisto dell'elettrotensile.
- Se l'elettrotensile è fissato a un dispositivo di sospensione, assicurarsi che il fissaggio sia sicuro.
- Se la testata non è montata, prestare attenzione al rischio di stritolamento o schiacciamento.
- NON usare l'elettrotensile con il canotto porta-naselli rimosso.
- Prima di procedere è necessario prevedere uno spazio adeguato per le mani dell'operatore dell'utensile.
- Durante il trasporto dell'utensile, tenere le mani lontano dal grilletto per evitare l'attivazione accidentale.
- NON abusare dell'elettrotensile facendolo cadere o utilizzandolo come martello.
- Prestare attenzione per assicurarsi che i gambi degli inserti già installati non costituiscano una fonte di pericolo.

## 1.4 PERICOLI ASSOCIATI AI MOVIMENTI RIPETITIVI

- Quando si utilizza l'elettrotensile è possibile avvertire fastidio a mani, braccia, spalle, collo o altre parti del corpo.
- Durante l'impiego dell'elettrotensile l'operatore deve adottare una postura confortevole, mantenendo un appoggio dei piedi sicuro ed evitando posture scomode o sbilanciate. Cambiare postura durante le attività prolungate può contribuire a evitare disagio e affaticamento.
- Se l'operatore dovesse manifestare sintomi quali fastidio persistente o ricorrente, dolore pulsante, dolore, formicolio, intorpidimento, sensazione di bruciore o rigidità, è importante che non ignori questi segnali di avviso. L'operatore dovrà rivolgersi immediatamente al proprio datore di lavoro e consultare un operatore sanitario qualificato.

## 1.5 PERICOLI RIGUARDANTI GLI ACCESSORI

- Scollegare l'attrezzo dall'alimentazione idraulica ed elettrica prima di montare o rimuovere la testata o l'accessorio.
- Utilizzare solo tipi e misure di accessori e materiali di consumo raccomandati dal produttore dell'elettrotensile; non usare accessori o materiali di consumo di tipi o misure diversi.

## 1.6 PERICOLI RIGUARDANTI IL LUOGO DI LAVORO

- Scivolamenti, inciampi e cadute sono le principali cause di infortuni sul lavoro. Prestare attenzione alle superfici scivolose provocate dall'uso dell'elettrotensile e anche ai pericoli di inciampo causati dalle linee aeree o dal tubo idraulico.
- Procedere con attenzione in ambienti non familiari. Potrebbero essere presenti pericoli nascosti, come cavi elettrici o linee di altre utenze.
- L'elettrotensile non è destinato all'uso in atmosfere potenzialmente esplosive e non è isolata in caso di contatto con la corrente elettrica.
- Accertarsi che non vi siano cavi elettrici, tubi del gas, ecc. che possono essere pericolosi se danneggiati durante l'uso dell'elettrotensile.

- Indossare indumenti adeguati. Non indossare abiti lenti o gioielli. Tenere capelli, indumenti e guanti lontano dalle parti in movimento. Abiti non aderenti, gioielli o capelli lunghi possono impigliarsi nelle parti in movimento.
- Prestare attenzione per assicurarsi che i gambi degli inserti già installati non costituiscano una fonte di pericolo.

### 1.7 PERICOLI ASSOCIATI AL RUMORE

- L'esposizione non protetta a livelli elevati di rumore può causare un'invalidità permanente, la perdita dell'udito e altri problemi, come l'acufene (un disturbo uditivo costituito da fischi, brusii o ronzii nelle orecchie). La valutazione dei rischi e l'implementazione di controlli appropriati per gli stessi sono essenziali.
- Tra i controlli opportuni per ridurre il rischio possono essere incluse azioni quali l'impiego di materiali che assorbono il rumore per evitare che i pezzi in lavorazione "rimbombino".
- Utilizzare protezioni acustiche in conformità con le istruzioni del proprio datore di lavoro e secondo quanto previsto dalle normative sulla salute e sicurezza sul lavoro.
- Utilizzare e mantenere l'attrezzo come consigliato nel manuale di istruzioni, per evitare un inutile aumento del livello di rumore.

### 1.8 PERICOLI ASSOCIATI ALLA VIBRAZIONE

- L'esposizione alla vibrazione può causare danni invalidanti ai nervi e alla circolazione sanguigna di mani e braccia.
- Indossare indumenti caldi quando si lavora in ambienti freddi e tenere le mani calde e asciutte.
- Se si dovessero avvertire intorpidimento, formicolio, dolore o sbiancamento della pelle delle dita o delle mani, interrompere l'uso dell'elettrotensile, informare il proprio datore di lavoro e consultare un medico.
- Laddove possibile, sostenere il peso dell'elettrotensile avvalendosi di un supporto, un tenditore o un bilanciatore, che consentono di applicare una presa più leggera per sostenerlo.

### 1.9 ISTRUZIONI DI SICUREZZA AGGIUNTIVE PER GLI UTENSILI ELETTROIDRAULICI

- L'alimentazione idraulica di funzionamento non deve superare 550 bar (8000 PSI).
- L'olio in pressione può causare gravi lesioni personali.
- Non montare tubi flessibili idraulici classificati per sopportare una pressione di esercizio inferiore a 700 bar (10.000 PSI) a una portata di 2,73 l/min (200 in 3/min).
- Non lasciare mai incustodito l'attrezzo in funzione. Scollegare il tubo flessibile idraulico e il cavo elettrico dalla pompa quando l'utensile non è in uso e prima di cambiare gli accessori o di effettuare riparazioni.
- Se i tubi flessibili vengono sbattuti possono causare gravi lesioni personali. Verificare sempre se sono presenti tubi flessibili e raccordi danneggiati o allentati.
- Prima dell'uso, ispezionare i tubi idraulici per la presenza di eventuali danni, tutti i collegamenti idraulici devono essere puliti, completamente innestati e serrati prima dell'uso. Non far cadere oggetti pesanti sui tubi flessibili. Un forte impatto potrebbe causare danni interni e provocare una rottura prematura del tubo.
- Ogni volta che si utilizzano giunti a camma (con innesti a denti), devono essere installati i perni di bloccaggio e devono essere utilizzati cavi di sicurezza a soffietto per proteggersi da possibili guasti del collegamento tubo-utensile o tubo-flessibile.
- Non sollevare la rivettatrice afferrandola dal tubo flessibile o dal cavo elettrico, ma utilizzare sempre l'impugnatura.
- Non spostare o tirare la pompa idraulica afferrando i tubi. Utilizzare sempre il manico della pompa o la scocca di sicurezza.
- Evitare l'ingresso di sporcizia e corpi estranei dall'impianto idraulico dell'attrezzo per evitare malfunzionamenti dello stesso.
- Utilizzare solo olio e attrezzatura di riempimento dell'olio puliti.
- È possibile usare solo i fluidi idraulici raccomandati.
- Le unità elettriche richiedono un passaggio di aria libero per il raffreddamento e devono quindi essere posizionate in un'area ben ventilata non esposta a fumi pericolosi.
- La temperatura massima del fluido idraulico in entrata è di 110 °C (230°F).

**Nell'ambito della propria politica di sviluppo e miglioramento continui dei prodotti, STANLEY Engineered Fastening si riserva il diritto di apportare modifiche alle specifiche di qualsiasi prodotto senza alcun preavviso.**

## 2. DATI TECNICI

### 2.1 USO PREVISTO

La rivettatrice AV®5 è principalmente un gruppo pistone e cilindro. Quando è accoppiata idraulicamente ed elettricamente a una fonte di alimentazione idraulica compatibile e il relativo gruppo di testa è collegato, viene quindi utilizzata per installare rivetti tra cui 3/8" Avdelok®, 3/8" NeoBolt®, 5/16" Avbolt® e Ø16mm Avseal® in ambienti industriali.

La rivettatrice e la pompa idraulica possono essere utilizzate solo in conformità con le istruzioni operative per il piazzamento dei rivetti strutturali Stanley Engineered Fastening.

Per l'elenco dei dispositivi di fissaggio installabili e delle testate associate fare riferimento alla tabella seguente.

Consultare le schede tecniche elencate nella tabella per le istruzioni di montaggio della testata pertinente.

**NON** utilizzare la rivettatrice in ambienti umidi o in presenza di liquidi infiammabili o gas.

RIVETTO		GRUPPO DI TESTA			DATI TECNICI GRUPPO DI TESTA
TIPO	DIMENSIONI	CODICE PEZZO	DIM. 'A'	DIM. 'B'	CODICE PEZZO
AVBOLT®	1/4"	07220-07500	70 mm	19 mm	07900-00905
	5/16"	07220-07700	100 mm	27 mm	07900-00905
AVDELOK®	5/16"	07220-05600	130 mm	27 mm	
	3/8"	07220-02000	100 mm	27 mm	
AVSEAL® II	16 mm	07220-06800	100 mm	27 mm	07900-00840
AVTAINER®	3/8"	* 71230-15600	130 mm	23 mm	
MONOBOLT®	1/4"	* 71230-15800	130 mm	27 mm	
	3/8"	07220-07200	110 mm	27 mm	
NEOBOLT®	5/16"	73200-05000	100 mm	27 mm	07900-01071
	3/8"	73200-05100	100 mm	27 mm	07900-01071

Note:

Dimensioni di lunghezza arrotondate.

\* È necessario inserire il numero di parte dell'adattatore 07267-00800 per adattarlo a questo gruppo di testa.

\*Gruppo di testa con rilascio delle ganasce.

Per identificare le dimensioni "A" e "B" della testata fare riferimento alla figura riportata a pagina 8.

Attenersi sempre alle istruzioni di sicurezza.

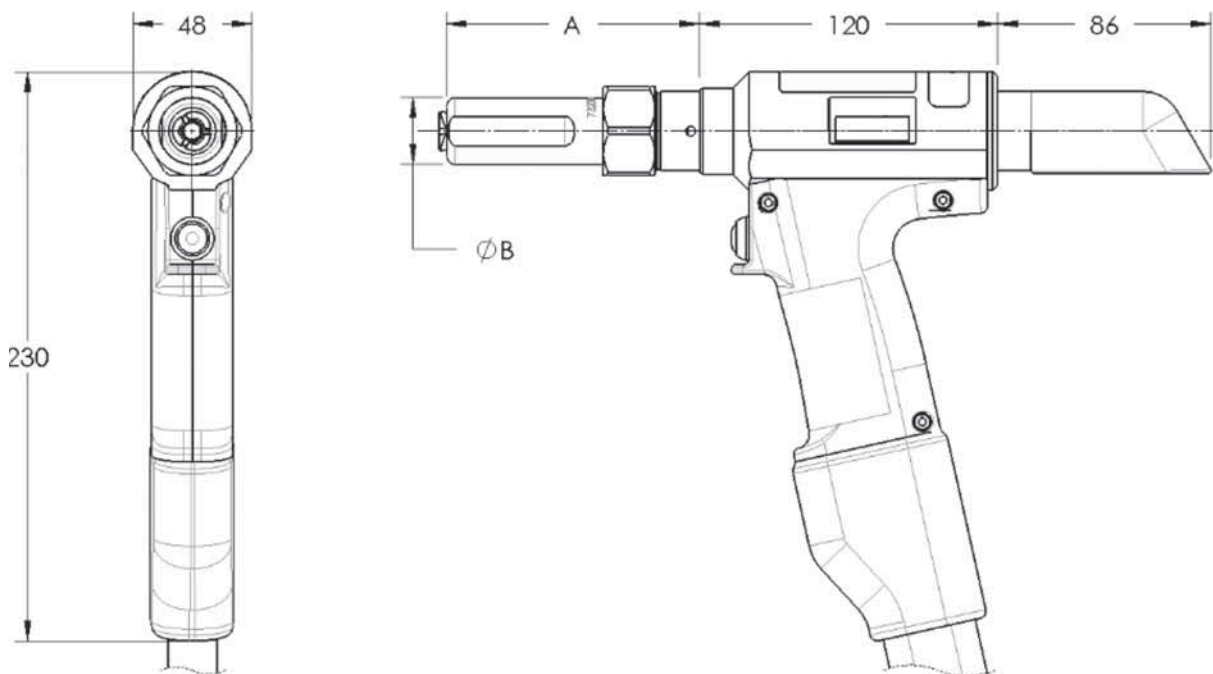
### 2.2 SPECIFICHE TECNICHE DELL'UTENSILE

	DATI TECNICI	METRICO	IMPERIALE
Forza:	Trazione alla pressione di trazione dichiarata	36,0kN	8992,4 lbf
	Spinta verso l'esterno alla pressione di ritorno dichiarata	17,5kN	3934,1 lbf
Pressione	Trazione	510 bar	7396,9 lbf/in <sup>2</sup>
	Ritorno	200 bar	2900,7 lbf/in <sup>2</sup>
Corsa:	Corsa del pistone minima	30,0 mm	1,18 in
Peso:	Con testata e tubo flessibile	2,9 kg	6,4 lb
Olio idraulico:	Olio idraulico Enerpac - HF-95X	-	-
	Espulsione del gambo		Posteriore
	Disposizione delle guarnizioni	Guarnizioni a labbro gemelle e raschiaolio	
Caratteristiche aggiuntive	Anelli per cuscinetti idraulici	Sì - Anteriore e posteriore	
	Impugnatura protettiva / Coperchio flessibile in gomma dell'impugnatura		Sì
	Protezione tubo flessibile		Sì
	Morsetti fermacavo/fermatubo		Sì

Valori di rumorosità stabiliti in base al codice del test di rumorosità utilizzando gli standard ISO 15744 e ISO 3744.		AV5
Livello di potenza sonora ponderato "A" dB (A), LWA	Rumorosità incertezza: kWA = 3.0 dB(A)	86,9 dB(A)
Livello di pressione sonora ponderato "A" dell'emissione presso la postazione di lavoro dB(A), LpA	Rumorosità incertezza: kpA = 3.0 dB(A)	75,9 dB(A)
Livello di pressione sonora di picco ponderato "C" dell'emissione dB (C), LpC, picco	Rumorosità incertezza: kpC = 3.0 dB(C)	81,1 dB(C)

Valori di rumorosità stabiliti in base al codice del test di rumorosità utilizzando gli standard ISO 20643 e ISO 5349.		AV5
Livello di emissioni delle vibrazioni, ahd:	Vibrazione incertezza: k = 1,34 m/s <sup>2</sup>	2,69 m/s <sup>2</sup>
Valori di emissione di vibrazione dichiarati ai sensi della norma EN 12096		

### 2.3 DIMENSIONI DELL'UTENSILE



Tutte le dimensioni sono indicate in millimetri. Illustrazione mostrata con testata NeoBolt® da 3/8" montata. L'aspetto dell'utensile varia in base alla testata montata.

Per le dimensioni "A" e "B" della testata fare riferimento alla tabella riportata a pagina 7.

L'attrezzo è dotato di due tubi idraulici e un cavo di controllo elettrico, lungo 0,6 m. Sono disponibili prolunghe dei tubi flessibili idraulici e del cavo di lunghezze diverse, ordinabili separatamente, secondo necessità. Per le lunghezze dei tubi flessibili disponibili e i rispettivi codici pezzo fare riferimento alla tabella seguente.

MONTAGGIO TUBO IDRAULICO	
CODICE PEZZO	LUNGHEZZA TUBO FLESSIBILE
07008-00448	5 metri
07008-00449	10 metri
07008-00450	15 metri

## 3. MESSA IN SERVIZIO

### 3.1 PRINCIPIO DI FUNZIONAMENTO

**IMPORTANTE: LEGGERE ENTRAMBE LE ISTRUZIONI DI SICUREZZA ALLE PAGINE 4-6 E IL MANUALE DI ISTRUZIONI DELLA POMPA PRIMA DELLA MESSA IN SERVIZIO.**

Quando il tubo flessibile e il cavo di controllo vengono collegati alla pompa idraulica Avdel®/ Enerpac® i cicli di trazione e ritorno dell'utensile vengono controllati premendo e rilasciando il grilletto di azionamento situato nell'impugnatura.

Premendo il grilletto di azionamento l'elettrovalvola all'interno della pompa idraulica viene eccitata e dirige il flusso di olio in pressione verso il lato di trazione del pistone nella rivettatrice. Ciò consente inoltre all'olio che si trova nel lato di ritorno della rivettatrice di tornare nel serbatoio.

Durante il ciclo di trazione, il gruppo pistone/pinza si sposta verso la parte posteriore dell'utensile consentendo all'o-ring di spingere in avanti l'anello mobile e le ganasce. Se nella testata è stato inserito un rivetto il gruppo ganasce ne afferra il gambo e ha inizio il ciclo di ribaditura.

Per i rivetti Avbolt e Avdelok® durante il ciclo di installazione prima viene bloccato il giunto da fissare e successivamente, mentre la battuta continua a spostarsi in avanti, il collare viene inserito nelle scanalature di bloccaggio del perno. Alla fine del ciclo, la battuta viene a contatto con il giunto e, man mano che lo spostamento prosegue, il gambo viene spezzato.

Il grilletto di azionamento deve essere rilasciato immediatamente dopo la rottura del gambo. Rilasciando il grilletto viene diseccitata l'elettrovalvola e la direzione del flusso dell'olio in pressione si inverte.

Se il grilletto di azionamento non viene rilasciato, il pistone della troncatrice continua a spostarsi verso la parte posteriore dell'utensile fino a raggiungere la fine della sua corsa. La pressione sul lato di trazione aumenta fino a raggiungere un valore di "Pressione massima" preimpostato sulla pompa. A questo punto l'elettrovalvola si diseccita automaticamente e inverte la direzione il flusso dell'olio in pressione verso il lato di ritorno della rivettatrice.

In entrambi i casi, l'olio in pressione fluisce nel lato di ritorno della rivettatrice, con l'olio nel lato di trazione che torna nel serbatoio.

Lo spostamento in avanti del gruppo pistone/pinza produce l'espulsione del rivetto installato dalla battuta.

Nel momento in cui si rilascia il grilletto di azionamento quando viene raggiunto il valore di "Pressione massima", l'elettrovalvola si diseccita e attiva un "Timer di ritorno" preimpostato. Questo timer controlla il tempo in cui il motore della pompa continuerà a funzionare prima di passare alla modalità di riposo. Il timer può essere impostato manualmente a un valore compreso tra 5 e 20 secondi per garantire che il pistone della rivettatrice torni sempre completamente in posizione avanzata (consultare il manuale della pompa 07900-01030, pagine 10 e 13).

Quando il pistone torna nella posizione completamente avanzata, la pressione aumenta fino al valore di pressione minima preimpostato di circa 200 bar. Il motore della pompa continua a funzionare fino allo scadere del tempo programmato sul timer di ritorno, dopodiché si arresta in automatico e la valvola passa alla posizione di riposo. L'elettrovalvola esegue quindi un ciclo automatico per scaricare l'olio in pressione nel serbatoio dal lato di trazione e di ritorno della rivettatrice.

In questo modo la rivettatrice viene mantenuta nella posizione avanzata. A questo punto nel sistema idraulico non è presente alcuna pressione.

La pompa idraulica si avvia automaticamente con la pressione del grilletto di azionamento della rivettatrice.



### 3.2 PREPARAZIONE PER L'USO

**ATTENZIONE - PER IL CORRETTO FUNZIONAMENTO DELLA RIVETTATRICE È IMPORTANTE CHE I VALORI DELLA PRESSIONE DI TRAZIONE E DI RITORNO SIANO CORRETTI. IN ASSENZA DEI VALORI DI PRESSIONE CORRETTI POTREBBERO VERIFICARSI LESIONI PERSONALI O DANNI ALLE APPARECCHIATURE. I VALORI DELLA PRESSIONE DI TRAZIONE E RITORNO FORNITI DALLA POMPA IDRAULICA NON DEVONO SUPERARE QUELLI INDICATI NELLE SPECIFICHE TECNICHE DELLA RIVETTATRICE.**

**IMPORTANTE – PRIMA DELLA MESSA IN SERVIZIO DELLA RIVETTATRICE E DEL SET DI TUBI IDRAULICI:**

**ACCERTARSI CHE LE VALVOLE DI MASSIMA PRESSIONE DELLA POMPA SIANO STATE IMPOSTATE CONFORMEMENTE ALLE ISTRUZIONI DELLA POMPA E AI VALORI MASSIMI DI PRESSIONE SPECIFICATI PER LA RIVETTATRICE E I TUBI FLESSIBILI.**

**ACCERTARSI CHE IL SET DI TUBI FLESSIBILI SIA CARICATO CON FLUIDO IDRAULICO SECONDO LA PROCEDURA DESCRITTA NEL MANUALE DI ISTRUZIONI DELLA POMPA 07900-01030.**

- Accertarsi che l'alimentazione elettrica di rete della pompa idraulica sia disattivata.
- Collegare i raccordi a innesto rapido dei tubi flessibili idraulici della rivettatrice direttamente alla pompa prima di collegare il cavo di controllo elettrico. I tubi flessibili e il cavo di controllo devono essere collegati in questo ordine e scollegati in ordine inverso.
- Attivare l'alimentazione elettrica di rete della pompa idraulica. Attendere 5 secondi affinché la pompa completi la sequenza di avvio, prima di premere il grilletto di azionamento. Quando tutto è impostato, sul display LCD della pompa viene visualizzata la scritta "AVDEL".
- Durante la sequenza di avvio il sistema di controllo della pompa identifica qualsiasi operazione effettuata tramite il grilletto di azionamento come potenziale malfunzionamento e impedisce l'avvio del motore. In questo caso sul display LCD della pompa viene visualizzato il messaggio "BUTTON FAULT" (Errore del pulsante). Ripristinare il sistema disattivando l'alimentazione per 10 secondi.
- Accertarsi che la rivettatrice sia posizionata sotto i serbatoi della pompa. Premere e rilasciare il grilletto di azionamento della rivettatrice alcune volte fino a far compiere all'utensile quasi la corsa completa in modo da fare circolare il fluido idraulico ed espellere l'aria dall'utensile.
- Osservare l'azione della rivettatrice. Verificare se sono presenti perdite di fluido e assicurarsi che in modalità di riposo il pistone sia nella posizione completamente avanti. A questo punto la rivettatrice viene caricata.
- Scollegare l'alimentazione elettrica di rete della pompa idraulica, quindi scollegare la rivettatrice dalla pompa in ordine inverso a quello sopra descritto.
- A questo punto collegare la rivettatrice al set di tubi flessibili idraulici caricati e al cavo di controllo elettrico, quindi collegare i raccordi a innesto rapido del set di tubi flessibili idraulici e il cavo di controllo elettrico alla pompa.
- Montare la testata alla rivettatrice seguendo le istruzioni riportate nella scheda tecnica della testata pertinente.
- Attivare l'alimentazione elettrica di rete della pompa idraulica come descritto sopra.
- Premere e rilasciare il grilletto di azionamento della rivettatrice alcune volte fino a far compiere all'utensile quasi la corsa completa in modo da fare circolare il fluido idraulico.
- A questo punto la rivettatrice è pronta per l'uso.



## 4. ISTRUZIONI D'USO

### 4.1 COME INSTALLARE UN RIVETTO AVBOLT®

Per maggiori informazioni su questo dispositivo di fissaggio, consultare la scheda tecnica della testata indicata nella tabella a pagina 7. Le informazioni riportate di seguito sono da intendersi come guida.

- Controllare il lavoro ed eliminare il gioco in eccesso. (Per "gioco" si intende lo spazio vuoto tra i componenti del giunto. Il gioco è eccessivo se la parte del gambo che fuoriesce dal collare non viene raggiunta dalle ganasce.)
- Inserire il rivetto Avbolt® nel foro.
- Spingere la testata sul perno fino a quando la battuta della testata si arresta contro il collare. La rivettatrice e la testata devono essere tenute ad angolo retto (90°) rispetto ai componenti da rivettare.
- Premere il grilletto di azionamento della rivettatrice per avviare il ciclo di installazione.
- Quando il movimento in avanti della battuta della testata si arresta e il gambo del rivetto si spezza, rilasciare il grilletto. La rivettatrice inizierà la sua corsa di ritorno e spingerà via il dispositivo di fissaggio installato. Al termine della corsa di ritorno, le ganasce rilasciano parzialmente il gambo spezzato che può quindi essere spinto attraverso le ganasce con l'installazione successiva e successivamente essere espulso attraverso la parte posteriore dell'utensile.
- Una volta espulso il rivetto installato, la rivettatrice e la testata sono pronte per l'installazione successiva.

### 4.2 COME INSTALLARE UN RIVETTO AVDELOK®

Per maggiori informazioni su questo dispositivo di fissaggio, consultare la scheda tecnica della testata indicata nella tabella a pagina 7. Le informazioni riportate di seguito sono da intendersi come guida.

- Controllare il lavoro ed eliminare il gioco in eccesso. (Per "gioco" si intende lo spazio vuoto tra i componenti del giunto. Il gioco è eccessivo se la parte del gambo che fuoriesce dal collare non viene raggiunta dalle ganasce.)
- Inserire il rivetto Avdelok® nel foro.
- Fare scorrere il collare del rivetto Avdelok® sul perno. (L'estremità smussata del collare deve essere rivolta verso la testata e l'utensile.)
- Spingere la testata sul perno fino a quando la battuta della testata si arresta contro il collare. La rivettatrice e la testata devono essere tenute ad angolo retto (90°) rispetto ai componenti da rivettare.
- Premere il grilletto di azionamento della rivettatrice per avviare il ciclo di installazione.
- Quando il movimento in avanti della battuta della testata si arresta e il gambo del rivetto si spezza, rilasciare il grilletto. La rivettatrice inizierà la sua corsa di ritorno e spingerà via il dispositivo di fissaggio installato. Al termine della corsa di ritorno, le ganasce rilasciano parzialmente il gambo spezzato che può quindi essere spinto attraverso le ganasce con l'installazione successiva e successivamente essere espulso attraverso la parte posteriore dell'utensile.
- Una volta espulso il rivetto installato, la rivettatrice e la testata sono pronte per l'installazione successiva.

**ATTENZIONE - CERCARE DI SPEZZARE IL GAMBO SENZA COLLARE INSTALLATO, IN QUANTO CIÒ CAUSEREBBE L'ESPULSIONE DALLA TESTATA AD ALTA VELOCITÀ E FORZA DELLA PARTE NON FISSATA DEL GAMBO DEL RIVETTO AVDELOK® O AVBOLT®.**

### 4.3 COME INSTALLARE UN RIVETTO NEOBOLT®

Per maggiori informazioni su questo dispositivo di fissaggio, consultare la scheda tecnica della testata indicata nella tabella a pagina 7. Le informazioni riportate di seguito sono da intendersi come guida.

- Inserire il gambo del rivetto NeoBolt® nel foro e spingerlo completamente attraverso gli strati del giunto.
- Montare il collare NeoBolt® sul gambo (l'estremità flangiata del collare deve essere la più vicina al pezzo in lavorazione) e ruotare in senso orario per agganciare il collare sul filetto del perno di almeno mezzo giro.
- Spingere la pinza completamente sulla coda di trazione del rivetto finché la pinza non copre completamente la scanalatura di trazione del NeoBolt® e la coda di trazione entra in contatto con l'arresto della pinza. La rivettatrice deve essere tenuta perpendicolare (a 90°) alla superficie del pezzo in lavorazione.
- Premere e tenere premuto il grilletto di azionamento della rivettatrice per avviare il ciclo di installazione. La pinza afferrerà il gambo NeoBolt® e tirerà la battuta contro il colletto.
- Continuare a tenere premuto il grilletto fino a quando il collare non è completamente incastrato e lo spostamento in avanti della battuta si arresta contro la flangia del collare. Il pistone e la pinza della rivettatrice torneranno automaticamente a spingere via la battuta dal collare installato e rilasciare il gambo dalla pinza.
- Rilasciare il grilletto di azionamento.
- Dopo che il dispositivo di fissaggio installato è stato espulso dall'incudine, la rivettatrice, la testata e la pompa sono pronte per l'installazione successiva.

**ATTENZIONE – Non rilasciare il grilletto fino a quando il ciclo di trazione della rivettatrice è completo e la pompa e la rivettatrice sono passate automaticamente al ciclo di ritorno. Rilasciando il grilletto prima di questo momento si otterrà un rivetto NeoBolt® posizionato in modo errato e installato parzialmente.**

## 5. MANUTENZIONE DELL'UTENSILE

**IMPORTANTE - LEGGERE LE ISTRUZIONI DI SICUREZZA ALLE PAGINE 4 - 6. IL DATORE DI LAVORO É RESPONSABILE DEL FATTO CHE LE ISTRUZIONI DI MANUTENZIONE DELL'ATTREZZO SIANO FORNITE AL PERSONALE APPROPRIATO. L'OPERATORE NON DOVREBBE ESSERE COINVOLTO NELLA MANUTENZIONE O RIPARAZIONE DELL'UTENSILE, A MENO CHE ESSO NON SIA STATO ADEGUATAMENTE ISTRUITO IN TAL SENSO. L'ATTREZZO DEVE ESSERE ESAMINATO REGOLARMENTE PER EVENTUALI DANNI E MALFUNZIONAMENTI.**

### 5.1 MANUTENZIONE GIORNALIERA

- Controllare che non vi siano perdite di olio dalla rivettatrice, dai tubi flessibili e dai raccordi a innesto rapido.
- Sostituire tubi e raccordi usurati o danneggiati.
- Controllare che la corsa del pistone della rivettatrice soddisfi il valore specificato.
- Controllare che il fondello sia correttamente e saldamente montato sul corpo dell'AV®5.
- Verificare che il deflettore dei gambi sia montato.
- Verificare che la valvola di sfogo della pressione di trazione/avanzamento della pompa funzioni correttamente.
- Verificare che la testata sia adatta per il rivetto da piazzare e sia montata correttamente.
- Verificare l'usura della battuta indicata dalla presenza di graffi sul collare installato. Ciò può essere confermato anche facendo riferimento ai dati di installazione nel catalogo dei dispositivi di fissaggio. L'eccessiva usura può causare la rottura della battuta.

### 5.2 MANUTENZIONE SETTIMANALE

- Smontare e pulire la testata, in particolare le ganasce, come descritto nella scheda tecnica della testata pertinente.
- Verificare la presenza di perdite d'olio dalla rivettatrice, dai tubi e dai raccordi a innesto rapido.

**ATTENZIONE – Non utilizzare mai solventi o altri prodotti chimici aggressivi per pulire le parti non metalliche dell'utensile. Tali prodotti chimici indeboliscono i materiali utilizzati per questi componenti.**

### 5.3 MANUTENZIONE ANNUALE / OGNI 250.000 OPERAZIONI

- Ogni anno oppure ogni 250.000 cicli (a seconda di quale sia la prima evenienza) l'utensile dovrebbe essere completamente smontato e dovrebbero essere utilizzati nuovi componenti in caso di usura, danneggiamento o secondo le raccomandazioni. Tutti gli o-ring, gli anelli ausiliari e le guarnizioni devono essere rinnovati e lubrificati con grasso MolyKote® 111 prima del montaggio.

### 5.4 KIT DI MANUTENZIONE

Per una manutenzione completa è disponibile il seguente Kit di manutenzione:

KIT DI MANUTENZIONE:: 73425-99990			
CODICE PEZZO	DESCRIZIONE	CODICE PEZZO	DESCRIZIONE
07005-10118	Raccordo a innesto rapido – Maschio	07900-01103	Manicotto di guida del pistone AV®5
07005-10120	Raccordo a innesto rapido – femmina	07900-01104	Gruppo di attrezzi per fondello AV®5
07900-00043	AV®5 Capsula pistone – Anteriore AV®5	07992-00020	Grasso al litio-molibdeno EP3753
07900-01101	Capsula pistone – Posteriore	07900-00755	Grasso – Molykote 111
07900-01102	AV®5 Asta di guida premistoppa anteriore	07900-00756	Frenafilietti Loctite 243
		07002-00478	Vite a testa cilindrica con cava esagonale M4 x 20

## 5.5 ATTREZZI PER LA MANUTENZIONE

Sono inoltre necessari i seguenti attrezzi standard:

- Chiave a brugola: 2,0 / 3,0 mm
- Chiave a forcilla piatta: 12 / 14 / 18 / 24 / 45 mm A/F
- Nastro in PTFE: 10 mm
- Morsa da banco con protezioni per le ganasce - 150 mm

## 5.6 OLIO IDRAULICO

**ATTENZIONE – Utilizzare esclusivamente olio idraulico HF Enerpac®. L'uso di qualsiasi altro olio può causare il malfunzionamento della rivettatrice e della pompa e rendere nulla la garanzia dell'utensile.**

L'olio idraulico è disponibile per l'ordinazione con i seguenti codici.

OLIO IDRAULICO			
CODICE PEZZO	07992-00081	07992-00082	07992-00083
Codice pezzo Enerpac®	HF-95X	HF-95Y	HF-95T
Volume	1 litro	5 litri	20 litri
Viscosità	32 mm <sup>2</sup> /s	32 mm <sup>2</sup> /s	32 mm <sup>2</sup> /s

## 5.7 ISTRUZIONI PER LO SMONTAGGIO

**IMPORTANTE - ACCERTARSI CHE L'ALIMENTAZIONE ELETTRICA DI RETE DELLA POMPA IDRAULICA SIA DISATTIVATA PRIMA DI RIMUOVERE LA TESTATA O DI SMONTARE LA RIVETTATRICE.**

### Prima dello smontaggio

- Scollegare i raccordi a innesto rapido **9** e **10** e il cavo di controllo elettrico **14** tra la rivettatrice e il gruppo tubo flessibile idraulico.
- Rimuovere la testata della rivettatrice seguendo le istruzioni riportate nella scheda tecnica della testata pertinente.
- Le sostanze potenzialmente pericolose che potrebbero essersi depositate sull'apparecchio a seguito dei processi lavorativi devono essere rimosse prima della manutenzione.

Per una manutenzione completa della rivettatrice consigliamo di procedere allo smontaggio dell'utensile nell'ordine descritto nelle pagine da **14** a **17**. Dopo aver smontato l'utensile si consiglia di sostituire tutte le guarnizioni.

### Gruppo pistone testa

- Rimuovere il Deflettore **3**, dal Fondello **15**.
- Bloccare l'impugnatura della rivettatrice in una morsa con ganasce morbide in modo che l'utensile sia rivolto verso il basso. Inserire i perni di riferimento sul \*Gruppo di attrezzi per fondello nei tre fori nel fondello **15**.
- Con una chiave A/F da 45 mm, svitare e rimuovere il fondello **15** dal corpo della rivettatrice **1**.
- Utilizzando un piccolo cacciavite a punta piatta, rimuovere l'o-ring **28** dal fondello **15** e gettarlo via.
- Collegare il \*raccordo a innesto rapido maschio al raccordo a innesto rapido femmina **10** sul tubo flessibile idraulico di ritorno **24**. In tal modo si scaricherà la pressione dal lato di Ritorno del pistone **18** e sarà agevolata la rimozione del premistoppa con guarnizione posteriore **16**. Nota: L'olio idraulico verrà espulso dal raccordo a innesto rapido – maschio
- Inserire tre viti M4 nel premistoppa con guarnizione posteriore **16** e usarle per estrarre la parte dall'albero posteriore del pistone **18** e fuori dal corpo **1**.
- Con un piccolo cacciavite a punta piatta o un attrezzo simile, rimuovere l'o-ring **31** e l'anello ausiliario a spirale **30** dalla scanalatura esterna del premistoppa con guarnizione posteriore **16** e gettarli via. Quando si rimuovono le guarnizioni, prestare attenzione a non danneggiare la superficie del premistoppa con guarnizione posteriore con il cacciavite.

- Rimuovere la guarnizione dell'asta **29** e il raschiaolio **33** dalle scanalature interne sul premistoppa della guarnizione anteriore **16** e gettarli via. Quando si rimuovono le guarnizioni, prestare attenzione a non danneggiare la superficie del premistoppa con guarnizione posteriore con il cacciavite.
- Rimuovere l'anello del cuscinetto posteriore **32** e verificare che il componente non sia usurato o danneggiato. Gettarlo, se necessario.
- Rimuovere la rivettatrice dalla morsa e svuotare l'olio idraulico dalla parte posteriore dell'utensile. Rimuovere il \*raccordo a innesto rapido maschio dal raccordo a innesto rapido femmina **10** sul tubo flessibile idraulico di ritorno **24**.

Tutti i numeri in grassetto si riferiscono al Disegno esplosivo e all'elenco dei componenti riportati alle pagine 18, 19 e 20.

- \* Kit di manutenzione a pagina 13
- Collegare il \*raccordo a innesto rapido femmina al raccordo a innesto rapido maschio **9** sul tubo flessibile idraulico di trazione **25**. In tal modo si scaricherà la pressione dal lato di trazione del pistone **18** e sarà agevolata la rimozione del pistone. Nota: L'olio idraulico verrà espulso dal raccordo a innesto rapido di scorta – femmina.
- Avvitare la \*capsula pistone anteriore sulla parte anteriore del pistone **18**.
- Posizionare il corpo della rivettatrice **1** con il nasello rivolto verso l'alto su un banco, quindi, utilizzando una mazzuola morbida, picchiettare sul pistone **18** verso la parte posteriore del corpo e l'esterno dell'estremità posteriore, facendo attenzione a non danneggiare il foro all'interno del corpo.
- Notare che quando si rimuove il pistone **18**, l'olio sul lato di trazione del pistone **18** uscirà dalla parte anteriore e posteriore del corpo **1**.
- Quando si rimuove il pistone **18** il premistoppa con guarnizione anteriore **17** può essere trattenuto sull'albero del pistone. In tal caso, svitare la \*capsula del pistone anteriore ed estrarre la guarnizione anteriore dal pistone.
- Utilizzando un piccolo cacciavite piatto, rimuovere la guarnizione del pistone **35** e i due anelli anti-estrusione **34**, dalla scanalatura esterna del pistone **18** e gettarli via. Quando si rimuovono le guarnizioni, prestare attenzione a non danneggiare la superficie del pistone con il cacciavite.
- Se il premistoppa con guarnizione anteriore **17** è ancora trattenuto nel corpo **1**. Posizionare il corpo della rivettatrice con il nasello rivolto verso l'alto su un banco, quindi spingere il premistoppa con guarnizione anteriore dalla parte anteriore fino a liberarlo dall'incavo all'interno del corpo dell'utensile. Il premistoppa con guarnizione anteriore può quindi essere rimosso dall'estremità posteriore del corpo. Nel compiere questa operazione non danneggiare il foro all'interno del corpo.
- Utilizzando un piccolo cacciavite a punta piatta, rimuovere l'o-ring **38** e l'anello ausiliario a spirale **39** dalla scanalatura esterna sul premistoppa con guarnizione anteriore **17** e gettarli. Quando si rimuovono le guarnizioni, prestare attenzione a non danneggiare la superficie del premistoppa con guarnizione anteriore con il cacciavite.
- Rimuovere la guarnizione dell'asta **36** e il raschiaolio **40** dalle scanalature interne sul premistoppa della guarnizione anteriore **17** e gettarli via. Quando si rimuovono le guarnizioni, prestare attenzione a non danneggiare la superficie del premistoppa con guarnizione anteriore con il cacciavite.
- Rimuovere l'anello del cuscinetto anteriore **37** e verificare che il componente non sia usurato o danneggiato. Gettarlo, se necessario.
- Rimuovere il \*raccordo a innesto rapido femmina dal raccordo a innesto rapido maschio **9** sul tubo flessibile idraulico di trazione **25**.

#### **Assemblare in ordine inverso, tenendo presente i seguenti punti:**

- Pulire tutti i componenti prima dell'assemblaggio.
- Per facilitare il montaggio delle guarnizioni, applicare un leggero strato di grasso Molykote® 111 su tutte le guarnizioni, le scanalature delle guarnizioni, anelli ausiliari e attrezzi di assemblaggio.
- Far scorrere l'o-ring **38** sopra il premistoppa con guarnizione anteriore **17** e nella scanalatura esterna. Inserire l'anello ausiliario a spirale **39** nella stessa scanalatura, davanti all'o-ring installato. Fare riferimento al disegno generale e all'elenco delle parti per il corretto orientamento dell'o-ring e dell'anello ausiliario a spirale.
- Premere l'anello del cuscinetto anteriore **36** nella cavità interna all'interno del premistoppa con guarnizione anteriore **17**, quindi installare la guarnizione dell'asta **36** dietro l'anello del cuscinetto anteriore. Inserire il raschiaolio **40** nella

cavità anteriore del premistoppa con guarnizione anteriore. Fare riferimento a Disegno generale per garantire il corretto orientamento della guarnizione dell'asta e del raschiaolio.

- Lubrificare con grasso Molykote® 111 la superficie e il bordo anteriore del foro del corpo **2** in cui deve essere installato il premistoppa con guarnizione anteriore **17**.
- Lubrificare il piedino dell'asta di guida del premistoppa con guarnizione anteriore, quindi posizionare il premistoppa con guarnizione anteriore **17** e la guarnizione dell'asta **36** completamente sul piedino, inserendo l'estremità per prima. Inserire \* l'asta guida del premistoppa con guarnizione anteriore nella parte posteriore del corpo **1**, quindi spingere completamente il premistoppa con guarnizione anteriore nel foro all'interno del corpo. Per inserire il premistoppa con guarnizione anteriore nel corpo è necessario esercitare una forza adeguata, pertanto potrebbe essere necessario utilizzare una pressa o una morsa. Rimuovere l'asta guida del premistoppa con guarnizione anteriore assicurandosi che il premistoppa con guarnizione anteriore rimanga in posizione.
- Lubrificare la scanalatura della guarnizione e il diametro esterno maggiore del pistone **18** con grasso Molykote® 111. Fare scorrere la guarnizione del pistone **35** sulla parte anteriore del diametro maggiore del pistone e nella scanalatura della guarnizione. Installare due anelli antiestrusione **34** nella scanalatura della guarnizione del pistone, uno su ciascun lato della guarnizione del pistone.
- Evitare la capsula pistone anteriore sulla parte anteriore del pistone **18**. Lubrificare la pallina pistone - anteriore, l'albero del pistone e la guarnizione del pistone **35** con grasso Molykote® 111.

Tutti i numeri in grassetto si riferiscono al Disegno esploso e all'elenco dei componenti riportati alle pagine 18, 19 e 20.

\* Kit di manutenzione a pagina 13

- Evitare il manicotto di guida del pistone nella parte posteriore del corpo **1**. Lubrificare i fori del corpo e del manicotto di guida del pistone con grasso Molykote® 111.
- Collegare il raccordo a innesto rapido femmina al raccordo a innesto rapido maschio **9** sul tubo flessibile idraulico di trazione **25**. Ciò permetterà la fuoriuscita dell'aria dal circuito di trazione del pistone **18** durante l'inserimento del pistone.
- Inserire il pistone **18** assemblato nella parte posteriore del corpo **1** e attraverso il premistoppa con guarnizione anteriore assemblato **17**. Spingere il pistone nella posizione completamente in avanti fino a quando si arresta contro il premistoppa con guarnizione anteriore. L'olio idraulico sarà espulso dal tubo flessibile idraulico di trazione **25**.
- Rimuovere il raccordo a innesto rapido femmina dal raccordo a innesto rapido maschio **9** sul tubo flessibile idraulico di trazione **25**. Rimuovere il manicotto di guida del pistone dalla parte posteriore del corpo **1**.
- Far scorrere l'o-ring **31** sopra il premistoppa con guarnizione posteriore **16** e nella scanalatura esterna. Inserire l'anello ausiliare a spirale **30** nella stessa scanalatura, dietro all'o-ring installato. Fare riferimento al disegno generale e all'elenco delle parti per il corretto orientamento dell'o-ring e dell'anello ausiliare a spirale.
- Premere l'anello del cuscinetto posteriore **32** nella cavità interna all'interno del premistoppa con guarnizione posteriore **16**, quindi installare la guarnizione dell'asta **29** dietro l'anello del cuscinetto posteriore. Inserire il raschiaolio **33** nella cavità posteriore del premistoppa con guarnizione posteriore. Fare riferimento a Disegno generale per garantire il corretto orientamento della guarnizione dell'asta e del raschiaolio.
- Bloccare l'impugnatura della rivettatrice in una morsa con ganasce morbide in modo che l'utensile sia rivolto verso il basso.
- Lubrificare con grasso Molykote® 111 la superficie e il bordo anteriore del foro del corpo **1** in cui deve essere installato il premistoppa con guarnizione posteriore **16**. Lubrificare l'albero del pistone posteriore **18** con grasso Molykote® 111.
- Inserire la pallina pistone - posteriore nell'albero posteriore del pistone **18** e lubrificare con grasso Molykote® 111.
- Riempire la parte posteriore del corpo **1** con olio idraulico Enerpac® HF. Il livello dell'olio deve essere appena sopra il foro di ingresso posteriore nel corpo.
- Collegare il raccordo a innesto rapido maschio al raccordo a innesto rapido femmina **10** sul tubo flessibile idraulico di ritorno **24**. Ciò permetterà la fuoriuscita dell'aria dal circuito di ritorno del pistone **18** durante l'in-

serimento del premistoppa con guarnizione posteriore **16**. Nota: l'olio idraulico potrebbe espulso dal raccordo a innesto rapido di scorta – femmina.

- Posizionare il premistoppa con guarnizione posteriore **16** sopra la \*pallina pistone - posteriore, quindi premere il premistoppa con guarnizione posteriore sull'albero del pistone **18** e nella parte posteriore del corpo **1**. Spingere il premistoppa con guarnizione posteriore nel corpo fino a quando alcune filettature interne saranno esposte nella parte posteriore del corpo. Avere cura di non danneggiare l'o-ring **31** e l'anello ausiliario a spirale **30** sulle filettature durante l'inserimento del premistoppa con guarnizione posteriore.
- Lubrificare sia la filettatura interna nel corpo **1** che la filettatura esterna sul filetto **15** con grasso al litio-molibdeno.
- Avvitare completamente il fondello **15** nella parte posteriore del corpo **1** utilizzando il \*gruppo di attrezzi per fondello. Così facendo, il premistoppa con guarnizione posteriore **16** sarà premuto in sede all'interno del corpo **1** e una piccola quantità d'olio sarà espulsa dal tubo flessibile idraulico di ritorno **24**.
- Rimuovere il \*raccordo a innesto rapido maschio dal raccordo a innesto rapido femmina **11** sul tubo flessibile idraulico di ritorno **24**.
- Premere il deflettore **3** sul fondello **15**.
- Caricare di olio la rivettatrice come descritto nella sezione "Preparazione per l'uso" a pagina **10**.

### Assemblaggio del tubo flessibile

- Rimuovere le due viti **8** dal morsetto fermatubo del tubo flessibile **13** usando una chiave a brugola da 3,0 mm. Rimuovere il morsetto fermatubo del tubo flessibile e l'inserito del morsetto **26** dal manicotto di protezione **27** e dai tubi flessibili idraulici di ritorno **24** e trazione **25**.
- Utilizzando il piccolo cacciavite a punta piatta, fare leva sul coperchio flessibile in gomma dell'impugnatura **7** per rimuoverlo dalle parti stampate dell'impugnatura **11** e **12**. Tirare il coperchio flessibile in gomma dell'impugnatura sopra il manicotto protettivo **27** e i tubi flessibili idraulici di ritorno **24** e trazione **25** e rimuoverli.
- Utilizzando una chiave a brugola da 3,0 mm (e una chiave da 7,0 mm sul dado inferiore) svitare le quattro viti **20** che tengono insieme le parti stampate dell'impugnatura **11** e **12** e rimuoverle.

Tutti i numeri in grassetto si riferiscono al Disegno esploso e all'elenco dei componenti riportati alle pagine 18, 19 e 20.

\* Kit di manutenzione a pagina 13

- Il grilletto di azionamento **6** è saldato al cavo di controllo. Rimuovere questo gruppo dalle parti stampate dell'impugnatura **11** e **12**. Il pressacavo **22** fa parte di questo gruppo.
- Tagliare la fascetta fermacavo **43** e far scorrere indietro il manicotto di protezione **27** per esporre i raccordi sui tubi flessibili idraulici **24** e **25**. I tubi flessibili idraulici possono essere rimossi dal corpo **1** utilizzando chiavi da 12 mm e 14 mm.
- I raccordi a innesto rapido maschio **9** e femmina **10** possono essere rimossi dai tubi flessibili idraulici **24** e **25** utilizzando chiavi da 18 mm e 24 mm.

### Assemblare in ordine inverso, tenendo presente i seguenti punti:

- Prima dell'assemblaggio pulire tutte le filettature dei raccordi a innesto rapido maschio **9** e femmina **10** e i tubi flessibili idraulici di ritorno **24** e trazione **25**, quindi applicare due-tre strati di nastro in PTFE da 10 mm sui filetti maschi di entrambi i tubi flessibili idraulici.
- Una volta assemblata la rivettatrice, caricarla seguendo le istruzioni riportate a pagina 10.

## 5.8 PROTEZIONE DELL'AMBIENTE

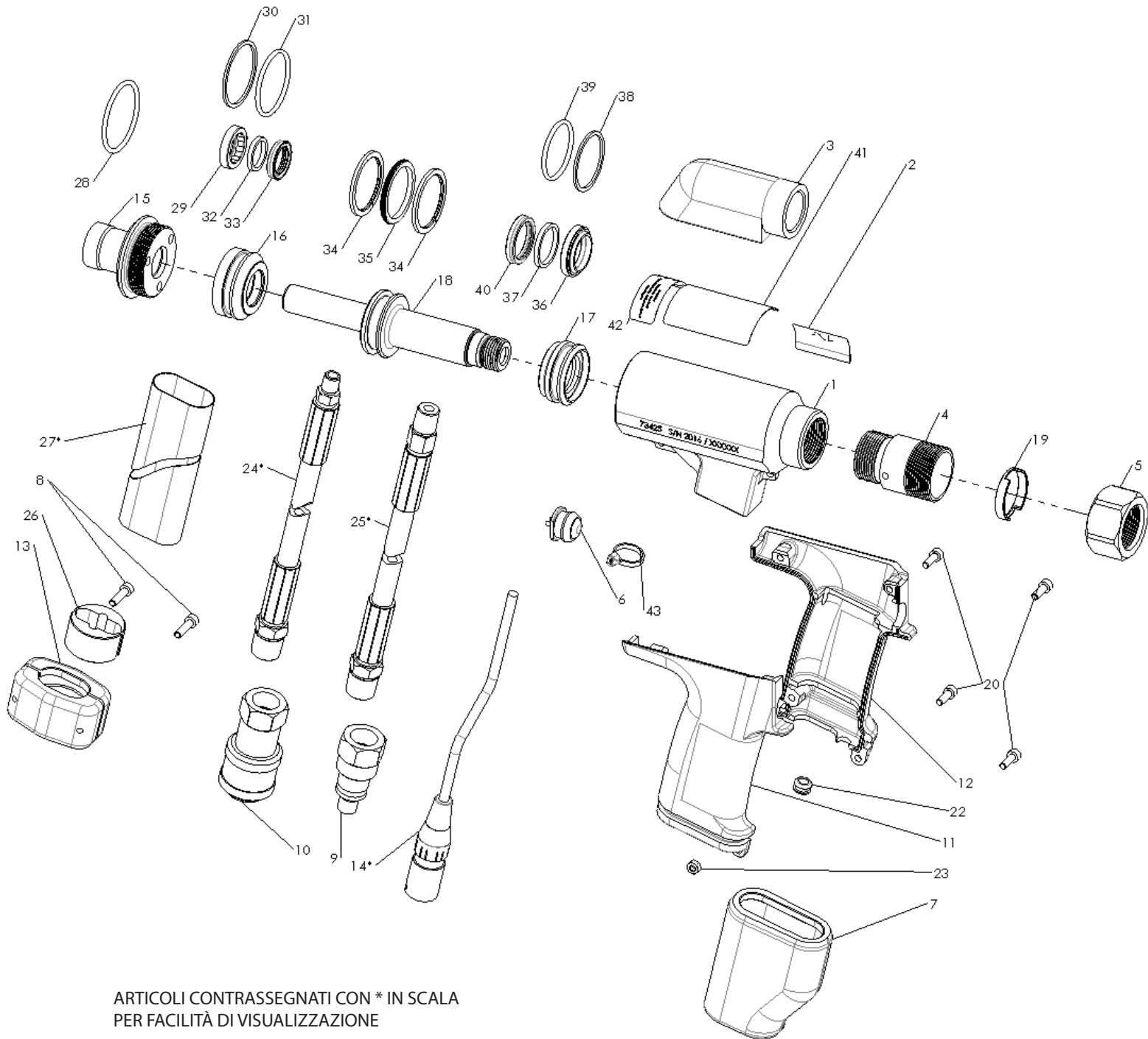
- Assicurare la conformità alle normative applicabili sullo smaltimento. Smaltire tutto il materiale di scarto presso una struttura o un sito autorizzati, in modo da non esporre il personale e l'ambiente a rischi.

Tutti i numeri in **grassetto** si riferiscono al Disegno esploso e all'elenco dei componenti riportati alle pagine 18, 19 e 20.

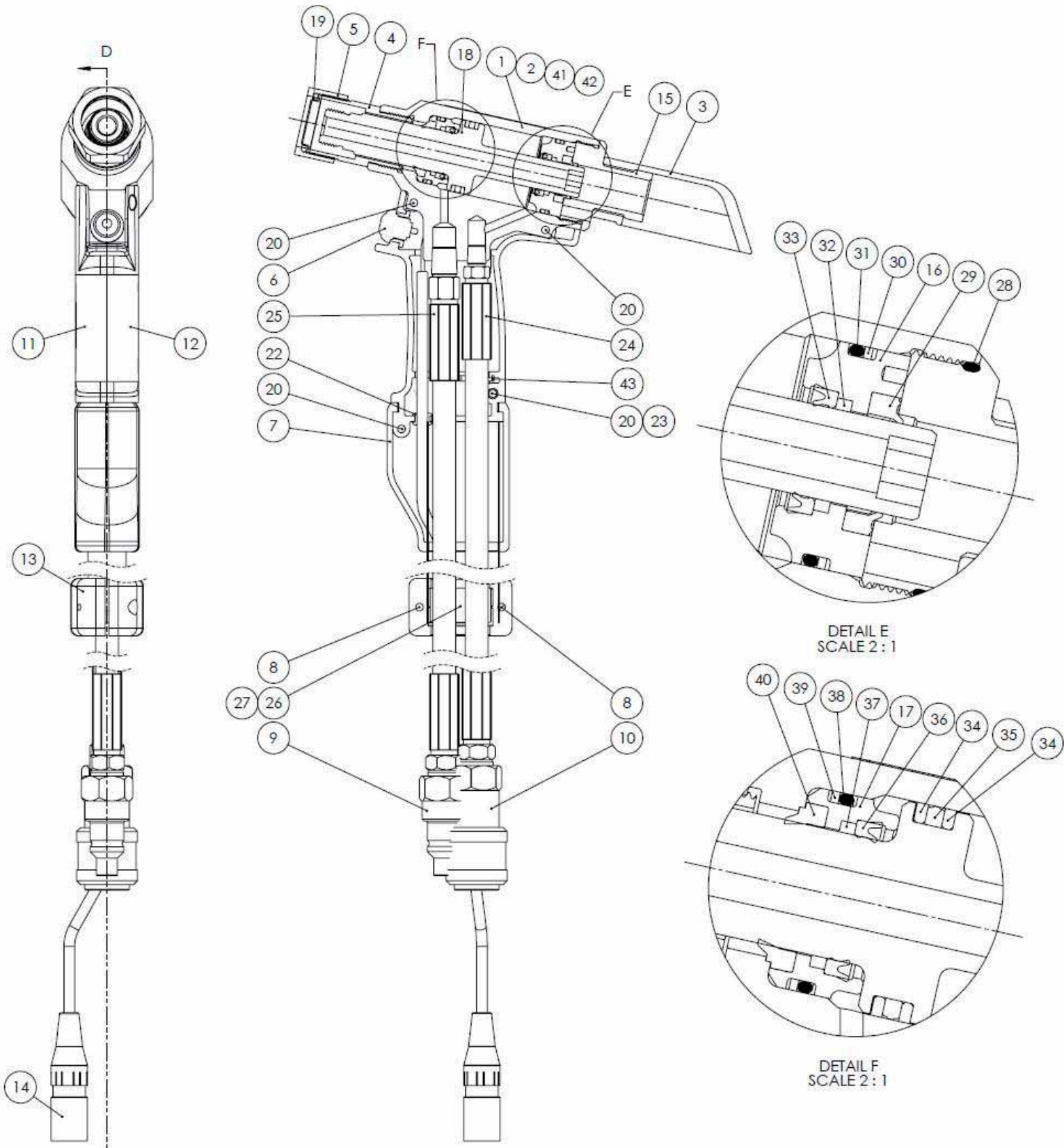
\* Kit di manutenzione a pagina 13.

## 6. DISEGNO ESPLOSO ED ELENCO DEI COMPONENTI

### 6.1 DISEGNO ESPLOSO







## 6.2 ELENCO DEI COMPONENTI

73425- 02000		ELENCO DEI COMPONENTI	
ARTICOLO No.	CODICE PEZZO	DESCRIZIONE	Q.TÀ
1	73425-02003	Testa AV®5	1
2	73425-02014	Etichetta AV®5	1
3	73200-02030	Deflettore	1
4	73200-02041	Adattatore	1
5	73200-02042	Dado di fissaggio	1
6	73425-02013	Grilletto di azionamento	1
7	73430-02020	Coperchio flessibile in gomma impugnatura	1
8	07001-00686	Vite a testa cilindrica con cava esagonale M4	2
9	07005-10118	Raccordo a innesto rapido maschio	1
10	07005-10120	Raccordo a innesto rapido femmina	1
11	73425-02009	Parte stampata dell'impugnatura - Lato sinistro	1
12	73425-02015	Parte stampata dell'impugnatura - Lato destro)	1
13	73430-02023	Morsetto fermatubo	1
14	07007-02105	Cavo di controllo	1
15	73425-02007	Coperchio posteriore	1
16	73425-02006	Premistoppa con guarnizione posteriore	1
17	73425-02005	Premistoppa con guarnizione anteriore	1
18	73425-02011	Pistone testa	1
19	73200-02043	Anello adattatore	1
20	07001-00688	Vite a testa cilindrica con cava esagonale M4	4
22	07007-02140	Occhiello in gomma	1
23	07002-00134	Dado M4	1
24	07005-10119	Tubo flessibile idraulico - Ritorno	1
25	07005-10117	Tubo flessibile idraulico - Trazione	1
26	73430-02024	Inserito a morsetto	1
27	07005-10121	Manicotto di protezione	0,4m
28	07003-00308	O-ring	1
29	07003-00442	Raschiaolio	1
30	07003-00527	Anello ausiliare a spirale	1
31	07003-00526	O-ring	1
32	73430-02010	Anello del cuscinetto posteriore	1
33	07003-00441	Guarnizione asta	1
34	07003-00521	Anello antiestrusione	2
35	07003-00520	Guarnizione pistone	1
36	07003-00523	Guarnizione asta	1
37	73200-03104	Anello del cuscinetto	1
38	07003-00524	O-ring	1
39	07003-00525	Anello ausiliare a spirale	1
40	07003-00522	Raschiaolio	1
41	73425-02016	Etichetta di sicurezza	1
42	07007-01504	Etichetta CE	1
43	07007-02032	Fascetta fermacavo	1

## 7. DATI DI SICUREZZA

### 7.1 DATI DI SICUREZZA OLIO IDRAULICO Enerpac® HF

#### PRONTO SOCCORSO

##### CUTE

Causa raramente danni alla cute in caso di contatto breve ed episodico, ma l'esposizione prolungata può provocare una dermatite. Lavare la cute a fondo con acqua e sapone appena possibile. Rimuovere gli indumenti pesantemente contaminati e lavare la cute sottostante.

##### CAVO ORALE

Causa raramente danni, se deglutito accidentalmente in piccole dosi, ma dosi massicce possono provocare nausea e diarrea. In caso di contaminazione della bocca sciacquarsela con abbondante acqua. Sempre che il prodotto non sia ingerito intenzionalmente, l'ingestione di grandi quantità è improbabile. Se ciò dovesse avvenire, non indurre il vomito e consultare un medico. Portare la persona al centro medico più vicino.

##### CONTATTO CON GLI OCCHI

In caso di contatto accidentale con gli occhi causa raramente sintomi più gravi di bruciore o arrossamento passeggeri. Lavare gli occhi a fondo con abbondanti quantità d'acqua, assicurandosi che le palpebre siano tenute aperte. Consultare un medico in caso di dolore o rossore persistente e in aumento.

##### RICHIESTA DEL PARERE DI UN MEDICO:

La terapia dovrebbe essere in generale di tipo sintomatico e diretta ad alleviare gli eventuali effetti.

Nota: Applicazioni ad alta pressione:

Eventuali penetrazioni di prodotto sotto la cute, derivanti dal contatto con il prodotto ad alta pressione, costituiscono una grave emergenza medica. Le lesioni inizialmente potrebbero non sembrare gravi, ma entro poche ore il tessuto si gonfia, perde colore ed è estremamente doloroso, con un'estesa necrosi sottocutanea.

È necessario intraprendere senza indugio un'esplorazione chirurgica. Uno scrupoloso ed esteso sbrigliamento (debridement) della ferita e del tessuto sottostante è necessario per ridurre al minimo la perdita di tessuto e prevenire o limitare danni permanenti. Si noti che l'alta pressione può spingere il prodotto molto lontano lungo i piani dei tessuti.

#### SMALTIMENTO

Eliminare eventuali sversamenti con materiale assorbente inerte. Ventilare l'area in cui si è verificato lo sversamento. Posizionare i materiali contaminati in un contenitore di rifiuto e smaltire in conformità con le norme in vigore in loco.

#### INCENDIO

PUNTO DI INFIAMMABILITÀ 200 °C.

Spegnere un eventuale incendio con polveri, estinguenti chimici, schiumogeni o anidride carbonica. Non accedere in spazi confinati senza indossare un autorespiratore.

#### MOVIMENTAZIONE

Applicare sulle mani una crema dermoprotettiva oppure indossare guanti resistenti all'olio.

#### CONSERVAZIONE

Al coperto e in conformità con le norme vigenti a livello locale per il materiale infiammabile.

### 7.2 DATI DI SICUREZZA GRASSO AL LITIO-MOLIBDENO EP 3753

Il grasso può essere ordinato come articolo singolo. Il codice pezzo è indicato nel Kit di manutenzione a pagina 12.

#### PRONTO SOCCORSO

##### CUTE

Poiché il grasso è completamente resistente all'acqua, il miglior metodo di rimozione è un detergente ad emulsione approvato per la cute.

##### INGESTIONE

Somministrare all'individuo 30 ml di latte al magnesio, preferibilmente in un bicchiere di latte.

##### CONTATTO CON GLI OCCHI

Irritante, ma non dannoso. Irrigare con acqua e consultare un medico.

#### INCENDIO

PUNTO DI INFIAMMABILITÀ Oltre 220 °C.

Non classificato come infiammabile.

Sostanze adatte per l'estinzione: CO<sub>2</sub>, alon o acqua nebulizzata, se applicato da un operatore con esperienza.

#### AMBIENTE

Smaltire per l'incenerimento o depositare in un sito approvato.

#### MOVIMENTAZIONE

Utilizzare una crema dermoprotettiva o guanti resistenti all'olio.

#### CONSERVAZIONE

Tenere lontano da calore o da agenti ossidanti.

### 7.3 DATI DI SICUREZZA GRASSO MOLYKOTE® 111

Il grasso può essere ordinato come articolo singolo. Il codice pezzo è indicato nel Kit di manutenzione a pagina 12.

#### **PRONTO SOCCORSO**

##### **CUTE**

Non dovrebbe essere necessario ricorrere alle cure di Pronto Soccorso.

##### **INGESTIONE**

Non dovrebbe essere necessario ricorrere alle cure di Pronto Soccorso.

##### **CONTATTO CON GLI OCCHI**

Non dovrebbe essere necessario ricorrere alle cure di Pronto Soccorso.

##### **INALAZIONE**

Non dovrebbe essere necessario ricorrere alle cure di Pronto Soccorso.

#### **INCENDIO**

PUNTO DI INFIAMMABILITÀ Oltre 101,1°C. (bicchiere chiuso)

Proprietà esplosive: no

Sostanze adatte per l'estinzione: schiuma di diossido di carbone, polvere secca o spray di acqua fine. L'acqua può essere utilizzata per raffreddare i recipienti esposti alle fiamme.

#### **AMBIENTE**

Non sono previsti effetti nocivi.

#### **MOVIMENTAZIONE**

Si raccomanda la ventilazione generale. Evitare il contatto con gli occhi.

#### **CONSERVAZIONE**

Non conservare con agenti ossidanti. Mantenere il recipiente chiuso e tenerlo lontano da acqua e umidità.

## 8. DIAGNOSTICA

SINTOMO	POSSIBILE CAUSA	SOLUZIONE	RIF. PAGINA
La rivettatrice non funziona	Gruppo pompa non operativo	Controllare l'alimentazione elettrica della pompa e consultare il relativo manuale di istruzioni	
	Raccordi a innesto rapido <b>9</b> e <b>10</b> difettosi	Sostituire i raccordi a innesto rapido	19
	Cavo di controllo del grilletto di azionamento <b>14</b> non collegato correttamente	Verificare che il cavo di controllo sia collegato correttamente alla pompa e alla rivettatrice	10
	Grilletto di azionamento <b>6</b> o cavo di controllo <b>14</b> danneggiato	Sostituire il grilletto di azionamento e / o il cavo di controllo	19
Il grilletto di azionamento <b>7</b> non funziona	Pompa in modalità locale	Consultare il manuale di istruzioni della pompa	
	Grilletto di azionamento <b>6</b> , cavo di controllo <b>14</b> o connettore danneggiato	Sostituire il grilletto di azionamento e / o il cavo di controllo	19
La pompa funziona, ma la rivettatrice no	Tubi flessibili idraulici non collegati	Verificare che i collegamenti alla pompa e alla rivettatrice siano corretti	10
	Basso livello dell'olio	Accertarsi che la rivettatrice sia piena di olio e correttamente caricata Consultare il manuale di istruzioni della pompa	10
	Perdita di olio all'esterno della rivettatrice	Ispezionare la rivettatrice e sostituire i componenti usurati o danneggiati	14 - 17
	Perdita di olio all'esterno del gruppo tubi flessibili	Ispezionare il gruppo tubi flessibili: assicurarsi che le connessioni dei tubi flessibili siano ben salde e/o sostituire i connettori danneggiati	19
	Perdita d'olio all'interno/esterno della pompa	Consultare il manuale di istruzioni della pompa	
	La rivettatrice funziona in modo irregolare	Pressione dell'olio idraulico bassa o irregolare	Consultare il manuale di istruzioni della pompa
Guarnizioni idrauliche della rivettatrice usurate o danneggiate		Ispezionare la rivettatrice e sostituire le guarnizioni usurate o danneggiate	14 - 17
Superfici di tenuta idrauliche della rivettatrice usurate o danneggiate		Ispezionare la rivettatrice e sostituire i componenti usurati o danneggiati	14 - 17
Perdita d'olio all'interno/esterno della pompa		Consultare il manuale di istruzioni della pompa	
La pompa eroga la pressione massima, ma il gambo del rivetto non si spezza	Carico di rottura superiore alla capacità massima della rivettatrice	Fare riferimento alle specifiche tecniche della rivettatrice	7
	Flusso in direzione della rivettatrice bloccato	Controllare che i raccordi a innesto rapido <b>9</b> e <b>10</b> siano innestati completamente	10
	Regolazione della valvola di massima pressione della pompa a un valore troppo basso	Regolare le impostazioni della valvola di massima pressione. Consultare il manuale di istruzioni della pompa	
	Scanalature di trazione sul gambo del rivetto danneggiate	Vedere il sintomo a pagina 24	11
	Funzionamento improprio della rivettatrice		11

SINTOMO	POSSIBILE CAUSA	SOLUZIONE	RIF. PAGINA
Il pistone <b>1</b> non ritorna	Flusso di ritorno limitato o bloccato	Controllare che i raccordi a innesto rapido <b>9</b> e <b>10</b> siano innestati completamente e/o che non siano danneggiati	10
	Tubi flessibili idraulici non collegati	Verificare che i collegamenti alla pompa e alla rivettatrice siano corretti	10
	Malfunzionamento della valvola della pompa	Consultare il manuale di istruzioni della pompa	
La rivettatrice non espelle il collare dalla battuta	Impostazione del timer di ritorno pompa non corretta: valore impostato troppo basso	Regolare il timer di ritorno all'impostazione raccomandata – Fare riferimento al manuale di istruzioni della pompa	
	Valvola di massima pressione di ritorno della pompa regolata a un valore troppo basso	Regolare la valvola di massima pressione alla corretta impostazione – Fare riferimento al manuale di istruzioni della pompa	
	Pressione dell'olio idraulico bassa o irregolare	Consultare il manuale di istruzioni della pompa	
	Guarnizioni idrauliche della rivettatrice usurate o danneggiate	Ispezionare la rivettatrice e sostituire le guarnizioni usurate o danneggiate	14 - 17
	Superfici di tenuta idrauliche della rivettatrice usurate o danneggiate	Ispezionare la rivettatrice e sostituire i componenti usurati o danneggiati	14 - 17
	Perdita d'olio all'interno/esterno della pompa	Consultare il manuale di istruzioni della pompa	
Scanalature di trazione sul gambo del rivetto danneggiate durante l'installazione	L'operatore non spinge il nasello completamente sul gambo del rivetto prima di azionare la rivettatrice	Istruire l'operatore sul metodo di installazione corretto	11
	Lunghezza del dispositivo di fissaggio/lunghezza di presa scorretta Segmenti delle ganasce usurati o danneggiati	Usare il dispositivo di fissaggio corretto Controllare e sostituire il set di ganasce - Consultare la scheda tecnica della testata	11
	Presenza di detriti nelle sezioni delle ganasce e/o nelle scanalature del gambo	Pulire le sezioni delle ganasce - Consultare la scheda tecnica della testata	
	Distanza eccessiva tra le lamiere	Ridurre il gioco tra le lamiere	11
Collare di Avdelok® o Avbolt® non completamente incastrato	Funzionamento improprio della rivettatrice		11
	Battuta usurata	Controllare e sostituire la battuta - Consultare la scheda tecnica della testata	
Il gambo non riesce a liberarsi dalla testata	Assemblaggio errato della testata	Consultare la scheda tecnica della testata	
La rivettatrice e l'olio idraulico sono caldi	Restrizione nella tubazione idraulica	Controllare i raccordi a innesto rapido idraulici <b>9</b> e <b>10</b> e sostituirli, se necessario	19
	Temperatura ambientale elevata		
Perdite di olio dai raccordi a innesto rapido idraulici <b>9</b> e <b>10</b>	O-ring usurato nel corpo del raccordo a innesto rapido maschio <b>9</b>	Sostituire l'o-ring e l'anello di sicurezza nel raccordo a innesto rapido <b>9</b>	19

Tutti i numeri in **grassetto** si riferiscono al Disegno esploso e all'elenco dei componenti riportati alle pagine 18, 19 e 20.

\* Kit di manutenzione a pagina 13.

## 9. DICHIARAZIONE DI CONFORMITÀ CE

Noi, **Stanley Engineered Fastening, Stanley House, Works Road, Letchworth Garden City, Hertfordshire, SG6 1JY REGNO UNITO**, dichiariamo sotto nostra completa responsabilità che il prodotto:

**Descrizione:** **UTENSILE ELETTRO-IDRAULICO**

**Modello:** **RIVETTATRICE PER RIVETTI  
STRUTTURALI AV® 5 – 73425-02000**

al quale si riferisce la presente dichiarazione è conforme alle seguenti norme:

ISO 12100:2010	EN ISO 3744:2010
EN ISO 11202:2010	EN ISO 11148-1:2011
EN ISO 4413:2010	EN ISO 20643:2008+A1:2012
EN ISO 4414:2010	ES100118-rev 17:2017
EN ISO 28927-5:2009+A1:2015	

La documentazione tecnica è compilata in base all'Allegato 1, sezione 1.7.4.1, ai sensi della Direttiva seguente: **Direttiva macchine 2006/42/CE** (la legislazione britannica corrispondente si basa sulle Supply of Machinery (Safety) Regulations, Statutory Instruments 2008 n.1597 [Norme di sicurezza riguardanti la fornitura di macchinari in vigore nel Regno Unito]).

Il firmatario rende questa dichiarazione per conto di STANLEY Engineered Fastening



**A. K. Seewraj**

**Direttore tecnico, Regno Unito**

Avdel UK Limited, Stanley House, Works Road, Letchworth Garden City, Hertfordshire,  
SG6 1JY REGNO UNITO

**Luogo di emissione:** **Letchworth Garden City, Regno Unito**

**Data di emissione:** **24-08-2021**

Il firmatario è responsabile della compilazione della documentazione tecnica per i prodotti venduti nell'Unione europea e rilascia la presente dichiarazione per conto di Stanley Engineered Fastening.

**Matthias Appel**

**Responsabile team di compilazione documentazione tecnica**

Stanley Engineered Fastening, Tucker GmbH, Max-Eyth-Str.1,  
35394 Gießen, Germania



Questo utensile è conforme alla  
Direttiva Macchine 2006/42/CE

**STANLEY**  
Engineered Fastening



## 10. DICHIARAZIONE DI CONFORMITÀ PER IL REGNO UNITO

Noi, **Stanley Engineered Fastening, Stanley House, Works Road, Letchworth Garden City, Hertfordshire, SG6 1JY REGNO UNITO**, dichiariamo sotto nostra completa responsabilità che il prodotto:

**Descrizione:** **UTENSILE ELETTRICO-IDRAULICO**

**Modello:** **RIVETTATRICE PER RIVETTI STRUTTURALI AV® 5 – 73425-02000**

al quale si riferisce la presente dichiarazione è conforme alle seguenti norme:

ISO 12100:2010	EN ISO 3744:2010
EN ISO 11202:2010	EN ISO 11148-1:2011
EN ISO 4413:2010	EN ISO 20643:2008+A1:2012
EN ISO 4414:2010	ES100118-rev 17:2017
EN ISO 28927-5:2009+A1:2015	

La documentazione tecnica è compilata in base alle Supply of Machinery (Safety) Regulations 2008, S.I. 2008/1597 (e successive modifiche).

Il firmatario rende questa dichiarazione per conto di STANLEY Engineered Fastening



**A. K. Seewraj**

**Direttore tecnico, Regno Unito**

Avdel UK Limited, Stanley House, Works Road, Letchworth Garden City, Hertfordshire, SG6 1JY REGNO UNITO

**Luogo di emissione:** **Letchworth Garden City, Regno Unito**

**Data di emissione:** **24-08-2021**



Questo macchinario è conforme alla  
Supply of Machinery (Safety) Regulations 2008,  
S.I. 2008/1597 [N.d.T.: recepimento nazionale  
britannico della Direttiva macchine UE], (e successive  
modifiche)



## 11. PROTEGGETE IL VOSTRO INVESTIMENTO!

### **GARANZIA DELLA RIVETTATRICE PER RIVETTI A STRAPPO Stanley® Engineered Fastening**

STANLEY® Engineered Fastening garantisce che tutti gli elettroattensili sono stati fabbricati accuratamente e, in condizioni di utilizzo e manutenzione normali, saranno esenti da difetti materiali e di fabbricazione per un periodo di un (1) anno.

La presente garanzia si applica al primo acquirente dell'utensile che lo utilizzi esclusivamente per lo scopo previsto.

#### **Esclusioni:**

##### **Usura normale**

Gli interventi di manutenzione periodica, la riparazione o la sostituzione di parti richiesti per via della normale usura non sono coperti dalla presente garanzia.

##### **Abuso e utilizzo improprio**

Eventuali difetti o danni causati da impiego e conservazione impropri, utilizzo scorretto o abuso dell'attrezzo, accidentali o frutto di negligenza, quali i danni materiali, non sono coperti dalla presente garanzia.

##### **Assistenza o modifica non autorizzata**

Eventuali difetti o danni causati da interventi di assistenza, regolazione di prova, installazione o manutenzione, e alterazioni o modifiche di qualsiasi genere apportati da persone diverse dal personale STANLEY® Engineered Fastening o dai tecnici dei nostri centri di assistenza non sono coperti dalla presente garanzia.

Tutte le altre garanzie, espresse o implicite, inclusa qualsiasi garanzia di commerciabilità o idoneità a un particolare scopo, sono escluse.

Qualora questo utensile non soddisfi i requisiti sanciti dalla presente garanzia, restituirlo immediatamente al nostro centro di assistenza autorizzato più vicino. Per ricevere un elenco dei Centri di Assistenza STANLEY Engineered Fastening autorizzati negli Stati Uniti o in Canada, chiamare il nostro numero verde (877)364 2781.

Al di fuori degli Stati Uniti e del Canada, visitare il nostro sito web **[www.StanleyEngineeredFastening.com](http://www.StanleyEngineeredFastening.com)** per trovare il centro STANLEY Engineered Fastening più vicino.

STANLEY Engineered Fastening provvederà a sostituire, senza alcun costo, la parte o le parti da noi individuate come difettose a causa di difetti del materiale o di fabbricazione e restituirà l'utensile prepagato. Questo costituisce l'unico obbligo da parte nostra ai sensi della presente garanzia.

In nessun caso STANLEY Engineered Fastening sarà ritenuta responsabile per eventuali danni consequenziali o speciali derivanti dall'acquisto o dall'uso di questo attrezzo.

#### **Registrate online la vostra rivettatrice per rivetti a strappo.**

Per registrare la garanzia online, visitate la pagina

<https://www.stanleyengineeredfastening.com/support/warranty-registration-form>

Grazie per aver scelto un utensile a marchio Stanley Assembly Technologies di STANLEY® Engineered Fastening.

©2021 by STANLEY Black & Decker brand

Wszelkie prawa zastrzeżone.





Przedstawionych tutaj informacji nie wolno reprodukować ani upubliczniać w żaden sposób i żadnymi środkami (elektronicznymi lub mechanicznymi) bez uprzedniej wyraźnej pisemnej zgody STANLEY Engineered Fastening. Przedstawione informacje są oparte o dane znane w momencie wprowadzenia produktu. STANLEY Engineered Fastening stosuje politykę ciągłego doskonalenia produktów, dlatego produkty mogą podlegać zmianie. Informacje przedstawione w niniejszym dokumencie dotyczą produktu dostarczonego przez STANLEY Engineered Fastening. Z tej przyczyny firma STANLEY Engineered Fastening nie ponosi odpowiedzialności za żadne szkody wynikające z modyfikacji oryginalnych danych technicznych produktu.

Dołożono wszelkich starań, aby informacje zawarte w niniejszym dokumencie były odpowiednie. Mimo tego, STANLEY Engineered Fastening nie ponosi odpowiedzialności za żadne błędy dotyczące treści ani ich konsekwencje. STANLEY Engineered Fastening nie ponosi odpowiedzialności za szkody spowodowane działaniem osób trzecich. Nazwy robocze, nazwy handlowe, zarejestrowane znaki towarowe itp. wykorzystywane przez STANLEY Engineered Fastening stanowią własność odpowiednich właścicieli zgodnie z prawodawstwem dotyczącym ochrony znaków towarowych.

## ZAWARTOŚĆ

<b>1. DEFINICJE DOTYCZĄCE BEZPIECZEŃSTWA.....</b>	<b>3</b>
1.1 OGÓLNE ZASADY BEZPIECZEŃSTWA.....	3
1.2 ZAGROŻENIA ZWIĄZANE Z WYRZUCONYMI W POWIETRZE ELEMENTAMI .....	4
1.3 ZAGROŻENIA ZWIĄZANE Z OBSŁUGĄ.....	4
1.4 ZAGROŻENIA ZWIĄZANE Z POWTARZALNYMI RUCHAMI .....	4
1.5 ZAGROŻENIA ZWIĄZANE Z AKCESORIAMI.....	4
1.6 ZAGROŻENIA ZWIĄZANE Z MIEJSCEM PRACY.....	4
1.7 ZAGROŻENIA ZWIĄZANE Z HAŁASEM .....	5
1.8 ZAGROŻENIA ZWIĄZANE Z DRGANIAMI .....	5
1.9 DODATKOWE INSTRUKCJE BEZPIECZEŃSTWA DOTYCZĄCE ELEKTRONARZĘDZI HYDRAULICZNYCH .....	5
<b>2. DANE TECHNICZNE.....</b>	<b>6</b>
2.1 PRZEZNACZENIE.....	6
2.2 DANE TECHNICZNE NARZĘDZIA.....	6
2.3 WYMIARY NARZĘDZIA .....	7
<b>3. ROZPOCZĘCIE EKSPLOATACJI .....</b>	<b>8</b>
3.1 ZASADA DZIAŁANIA .....	8
3.2 PRZYGOTOWANIE DO UŻYTKU .....	9
<b>4. INSTRUKCJA OBSŁUGI .....</b>	<b>10</b>
4.1 W CELU INSTALACJI ELEMENTU ZŁĄCZNEGO AVBOLT® .....	10
4.2 W CELU INSTALACJI ELEMENTU ZŁĄCZNEGO AVDELOK® .....	10
4.3 W CELU INSTALACJI ELEMENTU ZŁĄCZNEGO NEOBOLT® .....	11
<b>5. SERWISOWANIE NARZĘDZIA .....</b>	<b>12</b>
5.1 CODZIENNY SERWIS.....	12

5.2	COTYGODNIOWY SERWIS.....	12
5.3	SERWIS ROCZNY/CO 250 TYS. OPERACJI.....	12
5.4	ZESTAW SERWISOWY .....	12
5.5	NARZĘDZIA SERWISOWE .....	13
5.6	OLEJ HYDRAULICZNY.....	13
5.7	INSTRUKCJA DEMONTAŻU.....	13
5.8	OCHRONA ŚRODOWISKA .....	16
<b>6.</b>	<b>OGÓLNY RYSUNEK MONTAŻOWY I LISTA CZĘŚCI.....</b>	<b>17</b>
6.1	OGÓLNY RYSUNEK MONTAŻOWY .....	17
6.2	LISTA CZĘŚCI.....	19
<b>7.</b>	<b>DANE DOTYCZĄCE BEZPIECZEŃSTWA .....</b>	<b>20</b>
7.1	KARTA CHARAKTERYSTYKI OLEJU HYDRAULICZNEGO Enerpac® HF.....	20
7.2	KARTA CHARAKTERYSTYKI SMARU MOLYLITHIUM EP 3753.....	20
7.3	KARTA CHARAKTERYSTYKI SMARU Molykote® 111 .....	21
<b>8.</b>	<b>DIAGNOSTYKA USTEREK .....</b>	<b>22</b>
<b>9.</b>	<b>DEKLARACJA ZGODNOŚCI WE .....</b>	<b>24</b>
<b>10.</b>	<b>DEKLARACJA ZGODNOŚCI DLA WLK. BRYT.....</b>	<b>25</b>
<b>11.</b>	<b>CHROŃ SWOJĄ INWESTYCJĘ! .....</b>	<b>26</b>

	Niniejszą instrukcję muszą przeczytać wszystkie osoby instalujące lub obsługujące to narzędzie, poświęcając szczególną uwagę ostrzeżeniom i instrukcjom dotyczącym bezpieczeństwa.
	Podczas użytkowania narzędzia należy zawsze stosować okulary ochronne odporne na uderzenia. Klasa wymaganej ochrony powinna być oceniana niezależnie przy każdym użyciu.
	Użytkowanie narzędzia może narazić dłonie operatora na zagrożenia, w tym na zmiżdżenia, uderzenia, przecięcia, obtarcia i poparzenia. Stosować odpowiednie rękawice do ochrony dłoni.
	Środki ochrony słuchu należy wykorzystywać zgodnie z instrukcjami pracodawcy oraz zgodnie z przepisami bezpieczeństwa i higieny pracy.

## 1. DEFINICJE DOTYCZĄCE BEZPIECZEŃSTWA

Podane poniżej definicje określają stopień zagrożenia oznaczony danym słowem. Proszę przeczytać instrukcję i zwracać uwagę na te symbole.



**NIEBEZPIECZEŃSTWO:** Oznacza natychmiastowo niebezpieczną sytuację, która, jeśli jej się nie uniknie, spowoduje śmierć lub poważne obrażenia ciała.



**OSTRZEŻENIE:** Oznacza potencjalnie niebezpieczną sytuację, która, jeśli jej się nie uniknie, może spowodować śmierć lub poważne obrażenia ciała.



**PRZESTROGA:** Oznacza potencjalnie niebezpieczną sytuację, która, jeśli jej się nie uniknie, może spowodować miernego lub średniego stopnia obrażenia ciała.



**PRZESTROGA:** Stosowana bez symbolu ostrzeżenia oznacza potencjalnie niebezpieczną sytuację, która, jeśli jej się nie uniknie, może spowodować uszkodzenie mienia.

**Błędna eksploatacja lub konserwacja tego produktu może powodować poważne obrażenia ciała i uszkodzenie mienia. Należy przeczytać uważnie wszystkie ostrzeżenia i całość instrukcji obsługi przed rozpoczęciem użytkowania narzędzia. Podczas korzystania z elektronarzędzi zawsze powinno się postępować zgodnie z podstawowymi zasadami bezpieczeństwa, aby zmniejszyć ryzyko obrażeń ciała.**

### ZACHOWAĆ WSZYSTKIE OSTRZEŻENIA I INSTRUKCJE.

#### 1.1 OGÓLNE ZASADY BEZPIECZEŃSTWA

- W przypadku wielu zagrożeń, należy przeczytać i zrozumieć instrukcje dotyczące bezpieczeństwa przed instalacją, obsługą, naprawą, konserwacją, zmianą akcesoriów lub pracą w pobliżu narzędzia. W przeciwnym razie może dojść do poważnych obrażeń ciała.
- Narzędzie mogą instalować, regulować i używać wyłącznie wykwalifikowani i przeszkoleni operatorzy.
- NIE stosować niezgodnie z przeznaczeniem, które polega na mocowaniu nitów zrywalnych STANLEY Engineered Fastening.
- Stosować jedynie części, elementy złączne i akcesoria zalecane przez producenta.
- NIE modyfikować narzędzia. Modyfikacje mogą ograniczyć skuteczność zabezpieczeń i zwiększyć ryzyko dla operatora. Za wszelkie modyfikacje narzędzia wykonane przez klienta odpowiada wyłącznie klient. Wszelkie modyfikacje powodują unieważnienie wszelkich gwarancji.
- Nie wyrzucać instrukcji dotyczących bezpieczeństwa, lecz przekazać je operatorowi.
- Nie używać uszkodzonego narzędzia.
- Przed użyciem sprawdzić części ruchome pod kątem błędnego ustawienia, uszkodzenia części oraz każdego innego nieprawidłowego stanu, który może mieć wpływ na funkcjonowanie narzędzia. Jeśli narzędzie jest uszkodzone, przed ponownym użyciem przekazać je do naprawy. Przed użyciem zdemontować wszelkie klucze regulacyjne.
- Narzędzia należy okresowo sprawdzać, aby sprawdzić, czy symbole i oznaczenia wymagane przez odpowiednią część ISO 11148 są czytelne na narzędziu. Pracodawca/użytkownik musi skontaktować się z producentem w celu uzyskania zamiennych oznaczeń w razie potrzeby.
- Przeszkolony personel musi utrzymywać narzędzie w bezpiecznym stanie technicznym przez cały czas i regularnie sprawdzać je pod kątem uszkodzeń i prawidłowego działania. Demontaż może przeprowadzać jedynie przeszkolony personel. Nie demontować tego narzędzia bez wcześniejszego zapoznania się z instrukcją konserwacji.

## 1.2 ZAGROŻENIA ZWIĄZANE Z WYRZUCONYMI W POWIETRZE ELEMENTAMI

- Odłączyć pompę hydrauliczną od narzędzia przed rozpoczęciem jakichkolwiek prac konserwacyjnych, prób regulacji, montażu lub demontażu zespołu głowicy przedniej lub akcesoriów.
- Pamiętać, że awaria obrabianego elementu lub akcesoriów, a nawet samego złożonego narzędzia, może spowodować wyrzucenie elementów w powietrze z wysoką prędkością.
- Podczas użytkowania narzędzia należy zawsze stosować okulary ochronne odporne na uderzenia. Klasa wymaganej ochrony powinna być oceniana niezależnie przy każdym użyciu.
- W tym momencie należy ocenić zagrożenia dla innych osób.
- Należy się upewnić, że obrabiany element jest odpowiednio zamocowany.
- Sprawdzić, czy środek ochrony przed wyrzuceniem elementu złącznego i/lub trzpienia jest zamontowany i sprawny.
- Ostrzec przed ewentualnym wyrzuceniem trzpieni z dużą siłą z przodu narzędzia.
- NIE obsługiwać narzędzia skierowanego w stronę osoby (osób).

## 1.3 ZAGROŻENIA ZWIĄZANE Z OBSŁUGĄ

- Użytkowanie narzędzia może narazić dłonie operatora na zagrożenia, w tym na zmiżdżenia, uderzenia, przecięcia, obtarcia i poparzenia. Stosować odpowiednie rękawice do ochrony dłoni.
- Operatorzy oraz personel dokonujący konserwacji muszą być zdolni fizycznie do obsługi wielkości, ciężaru i mocy narzędzia.
- Narzędzie należy trzymać prawidłowo; należy być gotowym na reagowanie na normalne lub nagłe ruchy — obie ręce muszą być w gotowości.
- Utrzymywać uchwyty narzędzia w stanie suchym, czystym i wolnym od oleju i smaru.
- Należy zachować równowagę ciała i stać stabilnie podczas obsługi narzędzia.
- Zwolnić urządzenie zatrzymujące i uruchamiające w razie przerwy w zasilaniu hydraulicznym.
- Używać wyłącznie środków smarnych zalecanych przez producenta.
- Unikać styczności z płynem hydraulicznym. Aby ograniczyć ryzyko wystąpienia wysypki, koniecznie dokładnie wypłukać miejsce styczności.
- Karty charakterystyki dla wszystkich olejów hydraulicznych i smarów są dostępne na żądanie u dostawcy narzędzi.
- Unikać nieodpowiednich pozycji ciała, ponieważ mogą one nie pozwalać na zareagowanie na normalny lub nieoczekiwany ruch narzędzia.
- Jeśli narzędzie jest podwieszane, dopilnować, aby było solidnie zamocowane.
- Uważać na ryzyko zmiżdżenia lub ściśnięcia, gdy zespół głowicy przedniej nie jest zamocowany.
- NIE obsługiwać narzędzia ze zdjętą obudową zespołu głowicy przedniej.
- Przed przejściem dalej zapewnić odpowiedni odstęp dla rąk operatora narzędzia.
- Podczas przenoszenia narzędzia z miejsca na miejsce trzymać ręce z dala od spustu, aby uniknąć niezamierzonego uruchomienia.
- NIE upuszczać narzędzia ani nie używać go jako młotka.
- Dopilnować, aby zużyte trzpienie nie stanowiły zagrożenia.

## 1.4 ZAGROŻENIA ZWIĄZANE Z POWTARZALNYMI RUCHAMI

- Podczas użytkowania elektronarzędzia może wystąpić uczucie dyskomfortu w dłoniach, ramionach, barkach, szyi lub innych częściach ciała operatora.
- Podczas korzystania z narzędzia operator powinien przyjąć wygodną pozycję ciała, jednocześnie utrzymując solidne podparcie stóp oraz unikać nietypowych i niezapewniających równowagi pozycji. Operator powinien zmieniać pozycję ciała podczas wykonywania długich zadań. Może to pomóc w uniknięciu uczucia dyskomfortu oraz zmęczenia.
- W przypadku wystąpienia objawów, takich jak trwałe lub nawracające uczucie dyskomfortu, ból, pulsowanie, drętwienie, bezwład, pieczenie lub sztywność, nie należy ignorować tych sygnałów ostrzegawczych. Operator musi natychmiast powiadomić o tym pracodawcę i zasięgnąć porady lekarza.

## 1.5 ZAGROŻENIA ZWIĄZANE Z AKCESORIAMI

- Odłączyć narzędzie od zasilania hydraulicznego i elektrycznego przed zamontowaniem lub zdjęciem zespołu głowicy przedniej lub akcesorium.
- Używać wyłącznie akcesoriów i materiałów eksploatacyjnych o rozmiarach i typów zalecanych przez producenta narzędzia. Nie używać akcesoriów ani materiałów eksploatacyjnych innych rozmiarów i typów.

## 1.6 ZAGROŻENIA ZWIĄZANE Z MIEJSCEM PRACY

- Głównymi przyczynami obrażeń ciała w miejscu pracy są poślizgnięcia się, potknięcia i upadki. Uważać na śliskie powierzchnie powstałe w wyniku użytkowania narzędzia i pamiętać o zagrożeniu upadkiem w wyniku potknięcia się o przewód powietrzny lub wąż hydrauliczny.
- W nieznanym otoczeniu należy postępować ostrożnie. Mogą występować ukryte niebezpieczeństwa, takie jak przewody elektryczne lub innego typu.
- Narzędzie nie jest przeznaczone do użytku w potencjalnie wybuchowej atmosferze oraz nie posiada izolacji chroniącej w przypadku zetknięcia się z zasilaniem elektrycznym.

- Należy się upewnić, że w miejscu pracy nie występują przewody elektryczne, rury z gazem itp., które mogą stanowić zagrożenie w przypadku uszkodzenia ich przez narzędzie.
- Należy ubrać się odpowiednio. Nie zakładać luźnych ubrań ani biżuterii. Włosy, ubranie i rękawice trzymać z dala od ruchomych części. Luźne ubranie, biżuteria lub włosy mogą zostać wciągnięte przez ruchome części.
- Dopilnować, aby zużyte trzpienie nie stanowiły zagrożenia.

### 1.7 ZAGROŻENIA ZWIĄZANE Z HAŁASEM

- Narażenie na wysokie poziomy hałasu może spowodować trwałą utratę słuchu i inne problemy, takie jak szumy uszne (dzwonienie, brzęczenie, świst lub szum w uszach). Dlatego bardzo ważna jest ocena ryzyka i wdrożenie odpowiednich środków ochrony przed tymi zagrożeniami.
- Odpowiednie środki ochrony mogą obejmować podjęcie kroków, takich jak zastosowanie materiałów tłumiących, aby obrabiane elementy nie „dzwoniły”.
- Środki ochrony słuchu należy wykorzystywać zgodnie z instrukcjami pracodawcy oraz zgodnie z przepisami bezpieczeństwa i higieny pracy.
- Obsługiwać i konserwować narzędzie zgodnie z zaleceniami w instrukcji obsługi, aby zapobiec niepotrzebnemu zwiększeniu poziomu hałasu.

### 1.8 ZAGROŻENIA ZWIĄZANE Z DRGANIAMI

- Narażenie na drgania może spowodować uszkodzenie nerwów i naczyń krwionośnych w dłoniach i rękach.
- Podczas pracy w zimnych warunkach należy założyć ciepłą odzież, a dłonie utrzymywać ciepłe i suche.
- Jeśli w palcach lub dłoniach pojawi się uczucie drętwienia, pulsowania lub bólu, lub też skóra będzie bieleć, należy zaprzestać użytkowania narzędzia, powiadomić pracodawcę o zaistniałej sytuacji i zasięgnąć porady lekarza.
- Jeśli to możliwe, opierać ciężar narzędzia na stojaku, elemencie napinającym lub wyważającym, ponieważ wtedy narzędzia nie trzeba trzymać tak mocno.

### 1.9 DODATKOWE INSTRUKCJE BEZPIECZEŃSTWA DOTYCZĄCE ELEKTRONARZĘDZI HYDRAULICZNYCH

- Ciśnienie robocze zasilania hydraulicznego nie może przekraczać 550 barów (8000 PSI).
- Olej pod ciśnieniem może spowodować poważne obrażenia ciała.
- Nie mocować węży przeznaczonych do pracy z hydraulicznym roboczym ciśnieniem znamionowym mniejszym niż 700 barów (10 000 PSI) z natężeniem przepływu 2,73 l/min (200 cali<sup>3</sup>/min).
- Nigdy nie pozostawiać włączonego narzędzia bez nadzoru. Odłączyć wąż hydrauliczny i kabel elektryczny od pompy, gdy narzędzie nie jest w użytku, przed zmianą akcesoriów lub na czas wykonywania napraw.
- Uderzający jak bicz i podskakujący wąż może spowodować poważne obrażenia ciała. Zawsze sprawdzać pod kątem uszkodzonych lub luźnych węży i złączy.
- Przed użyciem sprawdzić węże hydrauliczne pod kątem uszkodzeń. Wszystkie połączenia hydrauliczne muszą być czyste, całkowicie podłączone i szczelne przed rozpoczęciem pracy. Nie upuszczać ciężkich przedmiotów na węże. Silne uderzenie może spowodować uszkodzenia wewnętrzne i prowadzić do przedwczesnej usterki węża.
- Kiedykolwiek korzysta się z uniwersalnych złączy wkręcanych, należy zamontować zawleczki zabezpieczające i korzystać z linek zabezpieczających przed biciem węża, aby chronić się w razie awarii połączenia z węzłem z narzędziem lub węża z węzłem.
- NIE podnosić narzędzia za wąż lub kabel elektryczny. Zawsze używać uchwytu narzędzia.
- NIE ciągnąć ani nie przesuwac pompy hydraulicznej przy pomocy węża. Zawsze używać uchwytu lub obudowy pompy.
- Chronić układ hydrauliczny narzędzia przed zanieczyszczeniami i ciałami obcymi, ponieważ mogą one spowodować usterkę narzędzia.
- Stosować wyłącznie czysty olej i czysty sprzęt do napełniania olejem.
- Wolno stosować wyłącznie zalecane oleje hydrauliczne.
- Agregaty hydrauliczne wymagają swobodnego przepływu powietrza do skutecznego chłodzenia, dlatego należy je ustawić w miejscu o dobrej wentylacji i pozbawionym niebezpiecznych oparów.
- Maksymalna temperatura oleju hydraulicznego na wlocie to 110°C (230°F).

**Firma STANLEY Engineered Fastening stosuje politykę ciągłego doskonalenia produktów i zastrzega sobie prawo do zmiany danych technicznych produktu bez uprzedzenia.**

## 2. DANE TECHNICZNE

### 2.1 PRZEZNACZENIE

Narzędzie instalacyjne AV<sup>®</sup>5 to zasadniczo zespół składający się z tłoka i cylindra. Po podłączeniu do odpowiedniego źródła zasilania hydraulicznego i zasilania elektrycznego oraz zamontowaniu odpowiedniego zespołu głowicy przedniej, narzędzia można używać do instalacji elementów złącznych 3/8" Avdelok<sup>®</sup>, 3/8" NeoBolt<sup>®</sup>, 5/16" Avbolt<sup>®</sup> oraz Ø 16 mm Avseal<sup>®</sup> w środowisku przemysłowym.

Narzędzie i pompa hydrauliczna mogą być używane wyłącznie zgodnie z instrukcją obsługi dotyczącą instalacji nitów strukturalnych Stanley Engineered Fastening.

Skorzystaj z tabeli poniżej, aby uzyskać listę obsługiwanych elementów złącznych i odpowiednich zespołów głowicy przedniej. Skorzystaj z arkusza danych podanych w tabeli, aby uzyskać instrukcję montażu odpowiedniego zespołu głowicy przedniej.

**NIE** używać w obecności wody ani łatwopalnych płynów lub gazów.

ELEMENT MOCUJĄCY		ZESPÓŁ GŁOWICY PRZEDNIEJ			KARTA DANYCH ZESPOŁU GŁOWICY PRZEDNIEJ
TYP	ROZMIAR	NUMER CZĘŚCI	ŚRED. „A”	ŚRED. 'B'	NUMER CZĘŚCI
AVBOLT <sup>®</sup>	1/4 cala	07220-07500	70 mm	19 mm	07900-00905
	5/16 cala	07220-07700	100 mm	27 mm	07900-00905
AVDELOK <sup>®</sup>	5/16 cala	07220-05600	130 mm	27 mm	
	3/8 cala	07220-02000	100 mm	27 mm	
AVSEAL <sup>®</sup> II	16 mm	07220-06800	100 mm	27 mm	07900-00840
AVTAINER <sup>®</sup>	3/8 cala	* 71230-15600	130 mm	23 mm	
MONOBOLT <sup>®</sup>	1/4 cala	* 71230-15800	130 mm	27 mm	
	3/8 cala	07220-07200	110 mm	27 mm	
NEOBOLT <sup>®</sup>	5/16 cala	73200-05000	100 mm	27 mm	07900-01071
	3/8 cala	73200-05100	100 mm	27 mm	07900-01071

Uwagi:

Wymiary dotyczące długości są zaokrąglone.

\* Do zamontowania tego zespołu głowicy przedniej konieczne jest zamontowanie adaptera o numerze części 07267-00800.

\*Zespół głowicy przedniej ze zwalnianiem szczęk.

Patrz ilustracja na stronie 8, aby uzyskać informacje na temat identyfikacji wymiarów zespołów głowicy przedniej „A” i „B”.

Należy zawsze przestrzegać instrukcji dotyczących bezpieczeństwa.

### 2.2 DANE TECHNICZNE NARZĘDZIA

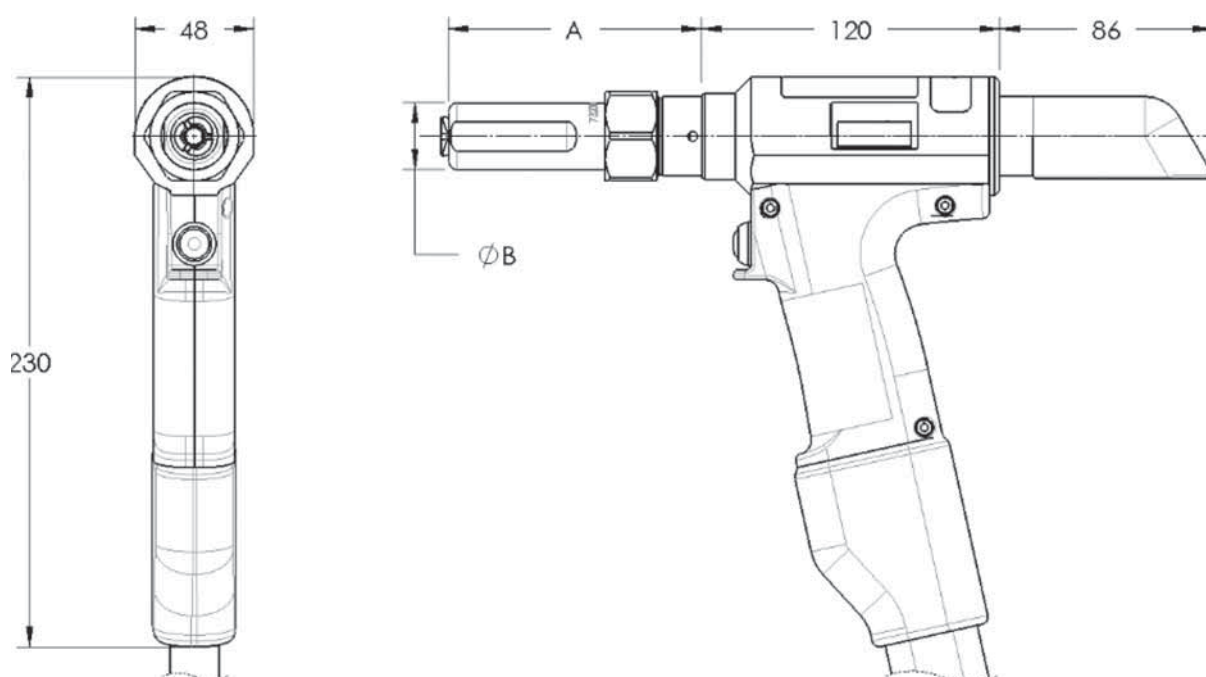
DANE TECHNICZNE		METRYCZNE	IMPERIALNE
Siła:	Siła zaciągania przy znamionowym ciśnieniu zaciągania	36,0 kN	8992,4 lbf
	Siła odpychania przy podanym znamionowym ciśnieniu powrotnym	17,5 kN	3934,1 lbf
Ciśnienie:	Zaciąganie	510 barów	7396,9 lbf/cal <sup>2</sup>
	Powrót	200 barów	2900,7 lbf/cal <sup>2</sup>
Skok:	Minimalny skok tłoka	30,0 mm	1,18 cala
Ciężar:	Z zespołem głowicy przedniej i węzłem	2,9 kg	6,4 lb
Olej hydrauliczny:	Olej hydrauliczny Enerpac - HF-95X	-	-
	Wyrzucanie trzpieni		Tył
	Układ uszczelk	Podwójne uszczelki wargowe i pierścieniowe zgarniające	
Dodatkowe funkcje:	Pierścienie łożyska hydraulicznego	Tak – przód i tył	
	Ochronny uchwyt/mocowanie węża		Tak
	Osłona węża		Tak
	Zaciski mocujące wąż/kabel		Tak



Wartości hałasu określono zgodnie z testami z norm ISO 15744 i ISO 3744.		AV5
Skorygowany charakterystyką A poziom mocy akustycznej dB(A), LWA	Niepewność dla hałasu: kWA = 3,0 dB(A)	86,9 dB(A)
Poziom emitowanego ciśnienia akustycznego na stanowiskach pracy skorygowanego charakterystyką A dB(A), LpA	Niepewność dla hałasu: kpA = 3,0 dB(A)	75,9 dB(A)
Szczytowy poziom emisji ciśnienia akustycznego skorygowanego charakterystyką C dB(C), LpC, szczytowe	Niepewność dla hałasu: kpC = 3,0 dB(C)	81,1 dB(C)

Wartości hałasu określono zgodnie z testami z norm ISO 20643 i ISO 5349		AV5
Poziom emisji drgań, ahd:	Niepewność pomiaru drgań: k = 1,34 m/s <sup>2</sup>	2,69 m/s <sup>2</sup>
Deklarowane wartości emisji drgań zgodnie z EN 12096		

### 2.3 WYMIARY NARZĘDZIA



Wszystkie wymiary podano w milimetrach. Ilustracja przedstawia narzędzie z zamontowanym zespołem głowicy przedniej dla 3/8" NeoBolt®. Wygląd narzędzia różni się w zależności od zamontowanego zespołu głowicy przedniej.

Patrz tabela na stronie 7, aby uzyskać informacje na temat wymiarów zespołów głowicy przedniej „A” i „B”.

Narzędzie jest wyposażone w dwa węże hydrauliczne oraz elektryczny kabel sterujący o długości 0,6 m. Dodatkowe węże hydrauliczne i przedłużenia kabla można zamówić osobno w razie potrzeby. Skorzystać z tabeli poniżej, aby uzyskać listę długości zespołów węży hydraulicznych i ich numery części.

ZESPÓŁ WĘŻA HYDRAULICZNEGO	
NUMER CZĘŚCI	DŁUGOŚĆ WĘŻA
07008-00448	5 metrów
07008-00449	10 metrów
07008-00450	15 metrów



## 3. ROZPOCZĘCIE EKSPLOATACJI

### 3.1 ZASADA DZIAŁANIA

**WAŻNE - UWAGNIE PRZECZYTAĆ ZASADY BEZPIECZEŃSTWA NA STRONACH 4 - 6 ORAZ INSTRUKCJĘ POMPY PRZED ROZPOCZĘCIEM EKSPLOATACJI.**

Kiedy oba węże i kabel sterujący są podłączone do pompy hydraulicznej Avdel® / Enerpac®, cyklami zaciągania i powrotu narzędzia steruje się poprzez wciskanie i zwalnianie spustu umieszczonego na uchwycie.

Kiedy spust jest wciśnięty, zawór elektromagnetyczny znajdujący się w pompie hydraulicznej zostaje uruchomiony i kieruje olej pod ciśnieniem do strony zaciągania tłoka w narzędziu. Pozwala to jednocześnie olejowi po stronie powrotnej narzędzia na powrót do zbiornika.

Podczas cykli zaciągania zespół tłoka/tulei porusza się w stronę tyłu narzędzia, pozwalając pierścieniowi uszczelniającemu na popychanie popychacza i szczęk do przodu. Jeśli trzpień elementu łącznego jest włożony do zespołu głowicy przedniej, zestaw szczęk zaciśnie się na odłamującym trzpieniu i rozpocznie się montaż.

W przypadku elementów łącznych Avbolt® and Avdelok®, cykl instalacji powoduje najpierw zaciśnięcie elementu łącznego do zamocowania, a następnie, gdy kowadełko porusza się dalej naprzód, kołnierz zostaje wtłoczony w rowki blokujące trzpienia. Na koniec cyklu wtłaczania kowadełko przemieszcza się do elementu łącznego i, wraz z dalszym ruchem, odłamywany trzpień zostaje odłamany.

Spust należy zwolnić niezwłocznie po odłamaniu trzpienia. Zwolnienie spustu powoduje wyłączenie zaworu elektromagnetycznego i odwrócenie kierunku przepływu oleju pod ciśnieniem.

Jeśli spust nie zostanie zwolniony, tłok narzędzia będzie dalej poruszać się w stronę tyłu narzędzia, aż osiągnie koniec skoku. Wtedy ciśnienie po stronie zaciągania wzrośnie, aż do uzyskania nastawionej wartości „wysokiego ciśnienia” w pompie. W tym momencie zawór elektromagnetyczny wyłączy się automatycznie i odwróci kierunek przepływu oleju pod ciśnieniem do strony powrotnej narzędzia.

W każdym razie, olej pod ciśnieniem będzie teraz przepływać do strony powrotnej narzędzia, a olej po stronie zaciągania będzie powracać do zbiornika.

Ruch zespołu tłoka/tulei do przodu spowoduje wyrzucenie instalowanego elementu łącznego z kowadełka.

W momencie zwolnienia spustu lub osiągnięcia wartości „wysokiego ciśnienia”, zawór elektromagnetyczny wyłączy się i uruchomi ustawiony „licznik czasu powrotnego”. Licznik ten reguluje czas dalszej pracy silnika pompy do momentu jej przełączenia w tryb jałowy. Licznik można ręcznie ustawić na wartość od 5 do 20 sekund w celu zagwarantowania, że tłok narzędzia zawsze powróci do skrajnego położenia przedniego (patrz instrukcja obsługi pompy 07900-01030, strony 10 i 13).

Kiedy tłok powróci do skrajnego położenia przedniego, ciśnienie wzrośnie do ustawionej wartości niskiego ciśnienia - 200 barów. Silnik pompy będzie pracować do czasu upłynięcia czasu licznika czasu powrotnego. Po tym okresie silnik zatrzyma się automatycznie i zawór przełączy się w położenie jałowe. Następnie zawór elektromagnetyczny przestawi się automatycznie w celu zwolnienia oleju pod ciśnieniem do zbiornika z obu stron narzędzia - zaciągania i powrotnej.

Pozwala to utrzymywać narzędzie instalacyjne w pozycji przedniej. W tym momencie w układzie hydraulicznym nie występuje ciśnienie.

Pompa hydrauliczna włączy się automatycznie po wciśnięciu spustu narzędzia.

### 3.2 PRZYGOTOWANIE DO UŻYTKU

**PRZESTROGA - DOSTARCZANIE ODPOWIEDNIEGO CIŚNIENIA ZACIĄGANIA I POWROTNEGO JEST WAŻNE DLA POPRAWNEGO DZIAŁANIA NARZĘDZIA INSTALACYJNEGO. JEŚLI ODPOWIEDNIE CIŚNIENIE NIE BĘDZIE ZAPEWNIONE, MOŻE DOJŚĆ DO OBRAŻEŃ CIAŁA LUB USZKODZENIA SPRZĘTU. WARTOŚCI CIŚNIENIA ZACIĄGANIA I POWROTNEGO DOSTARCZANE PRZEZ POMPĘ HYDRAULICZNĄ NIE MOGĄ PRZEKRACZAĆ WARTOŚCI PODANYCH W DANYCH TECHNICZNYCH NARZĘDZIA.**

**WAŻNE - PRZED ROZPOCZĘCIEM EKSPLOATACJI NARZĘDZIA I ZESTAWU WĘŻA HYDRAULICZNEGO:**

**DOPILNOWAĆ, ABY ZAWORY NADMIAROWE POMPY BYŁY USTAWIONE ZGODNIE Z INSTRUKCJĄ POMPY I MAKSYMALNYMI WARTOŚCIAMI CIŚNIENIA PODANYMI DLA NARZĘDZIA I WĘŻY.**

**DOPILNOWAĆ, ABY ZESTAW WĘŻA BYŁ WSTĘPNIE NAPEŁNIONY OLEJEM HYDRAULICZNYM ZGODNIE Z PROCEDURĄ OPISANĄ W INSTRUKCJI POMPY 07900-01030.**

- Dopilnować, aby zasilanie elektryczne pompy hydraulicznej było wyłączone.
- Podłączyć szybkozłącza węża hydraulicznego narzędzia bezpośrednio do pompy przed podłączeniem elektrycznego kabla sterującego. Węże i kabel sterujący muszą być podłączone w tej kolejności i odłączone w kolejności odwrotnej.
- Włączyć zasilanie elektryczne pompy hydraulicznej. Odczekać 5 sekund na zakończenie sekwencji uruchamiania pompy, po czym wcisnąć spust. Kiedy wszystko będzie gotowe, na ekranie LCD pompy pojawi się napis „AVDEL”.
- Podczas sekwencji uruchamiania system sterowania pompy zidentyfikuje jakiegokolwiek użycie spustu jako potencjalną usterkę i uniemożliwi uruchomienie silnika. W takim przypadku na ekranie LCD pojawi się napis „BUTTON FAULT” (usterka przycisku). Zresetować, wyłączając zasilanie na 10 sekund.
- Dopilnować, aby narzędzie znajdowało się poniżej zbiorników wyrównawczych pompy. Wcisnąć i zwolnić spust narzędzia kilkakrotnie, prawie do pełnego skoku narzędzia, aby olej hydrauliczny napełnił narzędzie i by usunąć powietrze z narzędzia.
- Obserwować działanie narzędzia. Sprawdzić pod kątem wycieków oleju i dopilnować, aby w trybie jałowym tłok znajdował się w skrajnym przednim położeniu. Narzędzie zostanie teraz wstępnie napełnione.
- Wyłączyć elektryczne pompy hydraulicznej, po czym odłączyć narzędzie od pompy w odwrotnej kolejności od opisanej powyżej.
- Następnie podłączyć narzędzie do wstępnie napełnionego zestawu węża hydraulicznego i do elektrycznego kabla sterującego. Następnie podłączyć szybkozłącza zestawu węża hydraulicznego i elektryczny kabel sterujący do pompy.
- Podłączyć zespół głowicy przedniej do narzędzia zgodnie z instrukcją w odpowiedniej karcie danych zespołu głowicy przedniej.
- Włączyć zasilanie elektryczne pompy hydraulicznej zgodnie z opisem powyżej.
- Wcisnąć i zwolnić spust narzędzia kilkakrotnie, prawie do pełnego skoku narzędzia, aby olej hydrauliczny napełnił narzędzie.
- Narzędzie jest teraz gotowe do pracy.

## 4. INSTRUKCJA OBSŁUGI

### 4.1 W CELU INSTALACJI ELEMENTU ZŁĄCZNEGO AVBOLT®

Aby uzyskać więcej informacji na temat tego elementu złącznego, skorzystać z arkusza danych zespołu głowicy przedniej zgodnie z tabelą na stronie 7. Poniższe informacje mają charakter pomocniczy.

- Sprawdzić powierzchnię instalacji i usunąć nadmierny odstęp. (Odstęp to przestrzeń między komponentami połączenia. Odstęp jest nadmierny, jeśli niewystarczająca część odłamywanego trzpienia wystaje przez kołnierz, przez co szczęki zespołu głowicy przedniej nie mają za co chwycić).
- Umieścić element złączny Avbolt® w otworze.
- Wpychać zespół głowicy przedniej na trzpień, aż kowadełko zespołu głowicy przedniej zatrzyma się na kołnierzu. Narzędzie i zespół głowicy przedniej należy trzymać pod kątem prostym (90°) do powierzchni instalacji.
- Wcisnąć spust narzędzia, aby rozpocząć cykl instalacji.
- Kiedy ruch naprzód kowadełka zespołu głowicy przedniej zatrzyma się i dojdzie do odłamania trzpienia, zwolnić spust. Narzędzie rozpocznie skok powrotny i odepchnie zainstalowany element złączny. Pod koniec skoku powrotnego szczęki częściowo zwolnią rozszerzony odłamywany trzpień, która może następnie zostać wypchnięty przez szczęki podczas kolejnej instalacji i wyrzucony z tyłu urządzenia.
- Po wyrzuceniu zainstalowanego elementu złącznego narzędzie i zespół głowicy przedniej są gotowe do kolejnej instalacji.

### 4.2 W CELU INSTALACJI ELEMENTU ZŁĄCZNEGO AVDELOK®

Aby uzyskać więcej informacji na temat tego elementu złącznego, skorzystać z arkusza danych zespołu głowicy przedniej zgodnie z tabelą na stronie 7. Poniższe informacje mają charakter pomocniczy.

- Sprawdzić powierzchnię instalacji i usunąć nadmierny odstęp. (Odstęp to przestrzeń między komponentami połączenia. Odstęp jest nadmierny, jeśli niewystarczająca część odłamywanego trzpienia wystaje przez kołnierz, przez co szczęki zespołu głowicy przedniej nie mają za co chwycić).
- Umieścić element złączny Avdelok® w otworze.
- Nasunąć kołnierz Avdelok® na trzpień. (Fazowany koniec kołnierza musi być skierowany na zespół głowicy przedniej i narzędzie).
- Wpychać zespół głowicy przedniej na trzpień, aż kowadełko zespołu głowicy przedniej zatrzyma się na kołnierzu. Narzędzie i zespół głowicy przedniej należy trzymać pod kątem prostym (90°) do powierzchni instalacji.
- Wcisnąć spust narzędzia, aby rozpocząć cykl instalacji.
- Kiedy ruch naprzód kowadełka zespołu głowicy przedniej zatrzyma się i dojdzie do odłamania trzpienia, zwolnić spust. Narzędzie rozpocznie skok powrotny i odepchnie zainstalowany element złączny. Pod koniec skoku powrotnego szczęki częściowo zwolnią rozszerzony odłamywany trzpień, która może następnie zostać wypchnięty przez szczęki podczas kolejnej instalacji i wyrzucony z tyłu urządzenia.
- Po wyrzuceniu zainstalowanego elementu złącznego, narzędzie i zespół głowicy przedniej są gotowe do kolejnej instalacji.

**PRZESTROGA- PRÓBOWAĆ ODŁAMYWAĆ TRZPIENIA BEZ INSTALACJI KOŁNIERZA, PONIEWAŻ SPOWODUJE TO WYRZUCENIE NIEZAMOCOWANEJ CZĘŚCI TRZPIENIA AVDELOK® LUB AVBOLT® Z GŁOWICY PRZEDNIEJ Z WYSOKĄ PRĘDKOŚCIĄ I DUŻĄ SIŁĄ.**

### 4.3 W CELU INSTALACJI ELEMENTU ZŁĄCZNEGO NEOBOLT®

Aby uzyskać więcej informacji na temat tego elementu złącznego, skorzystaj z arkusza danych zespołu głowicy przedniej zgodnie z tabelą na stronie 7. Poniższe informacje mają charakter pomocniczy.

- Umieścić odłamany trzpień NeoBolt® w otworze i przepchnąć do końca przez warstwy połączenia.
- Nałożyć kołnierz NeoBolt® na odłamany trzpień (kołnierzowa część kołnierza musi znajdować się najbliżej powierzchni montażu) i obrócić go zgodnie ze wskazówkami zegara, aby zamocować kołnierz na gwincie trzpienia na co najmniej pół obrotu.
- Wepchnąć tuleję do końca na końcówkę zaciągającą trzpienia, aż tuleja całkowicie zakryje rowek zaciągający bolca NeoBolt® i trzpień zaciągający zetknie się z blokadą tulei. Narzędzie instalacyjne należy trzymać prostopadle (90°) do powierzchni montażowej.
- Wcisnąć i przytrzymać spust narzędzia, aby rozpocząć cykl instalacji. Tuleja pochwyci trzpień NeoBolt® i przyciągnie kowadełko do kołnierza.
- Nadal trzymać spust wciśnięty, aż kołnierz zostanie całkowicie wtłoczony i ruch kowadełka naprzód zatrzyma się na kryzie kołnierza. Tłok i tuleja zaciskowa narzędzia następnie automatycznie powrócą w celu odepchnięcia kowadełka od zamontowanego kołnierza i zwolnienia odłamywanego trzpienia z tulei zaciskowej.
- Zwolnij przycisk wyzwalacza.
- Po wyrzuceniu zainstalowanego elementu złącznego z kowadełka, narzędzie, zespół głowicy przedniej i pompa są gotowe do kolejnej instalacji.

**PRZESTROGA – Nie zwalniać spustu do momentu zakończenia cyklu zaciągania przez narzędzie i automatycznego przełączenia się pompy i narzędzia na cykl powrotny. Zwolnienie spustu przed tym momentem spowoduje błędną i częściową instalację elementu złącznego NeoBolt®.**

## 5. SERWISOWANIE NARZĘDZIA

**WAŻNE - PRZECZYTAĆ INSTRUKCJE DOTYCZĄCE BEZPIECZEŃSTWA NA STRONACH 4 - 6. PRACODAWCA ODPOWIADA ZA PRZEKAZANIE INSTRUKCJI KONSERWACJI NARZĘDZIA WŁAŚCIWEMU PERSONELOWI. OPERATOR NIE MOŻE UCZESTNICZYĆ W KONSERWACJI LUB NAPRAWIE NARZĘDZIA, JEŚLI NIE ZOSTAŁ PRAWIDŁOWO PRZESZKOLONY. NARZĘDZIE NALEŻY REGULARNIE SPRAWDZAĆ POD KĄTEM USZKODZEŃ I AWARII.**

### 5.1 CODZIENNY SERWIS

- Sprawdzić narzędzie, węże i szybkozłącza pod kątem wycieków oleju.
- Wymenić uszkodzone lub zużyte węże i złącza.
- Sprawdzić, czy skok narzędzia jest zgodny z wymaganą wartością.
- Sprawdzić, czy nakrywka czołowa jest prawidłowo i ciasno przymocowana do korpusu AV®5.
- Sprawdzić, czy deflektor trzpieni jest zamontowany.
- Sprawdzić, czy zawór nadmiarowy zaciągania/przesuwania naprzód pompy działa prawidłowo.
- Sprawdzić, czy zespół głowicy przedniej jest odpowiednio dopasowany do nitów do zamontowania i poprawnie zamontowany.
- Sprawdzić, czy kowadełko nie jest zużyte, o czym świadczą ślady rysowania na zamontowanym kołnierzu. Można to również sprawdzić, korzystając z danych dotyczących instalacji w katalogu elementów złącznych. Nadmierne zużycie może spowodować rozerwanie kowadełka.

### 5.2 COTYGODNIOWY SERWIS

- Zdemontować i oczyścić zespół głowicy przedniej, w szczególności szczęki, zgodnie z opisem w odpowiedniej karcie danych zespołu głowicy przedniej.
- Sprawdzić narzędzie, węże i szybkozłącza pod kątem wycieków oleju.

**PRZESTROGA - Nigdy nie wolno używać rozpuszczalników ani innych agresywnych środków chemicznych do czyszczenia części narzędzia niewykonanych z metalu. Te środki chemiczne mogą osłabić materiał, z jakiego wykonano te części.**

### 5.3 SERWIS ROCZNY/CO 250 TYS. OPERACJI

- Co roku lub co 250 000 cykli (w zależności od tego, co wystąpi wcześniej) narzędzie należy całkowicie rozmontować i zastosować nowe komponenty w przypadku stwierdzenia zużycia, uszkodzenia, lub gdy istnieją zalecenia nakazujące dokonanie wymiany. Wszystkie pierścienie uszczelniające, spiralne pierścienie wycofujące i uszczelki należy wymienić i nasmarować smarem MolyKote® 111 przed zamontowaniem.

### 5.4 ZESTAW SERWISOWY

Dostępny jest następujący zestaw serwisowy pozwalający na przeprowadzenie całościowej konserwacji:

ZESTAW SERWISOWY: 73425-99990			
NUMER CZĘŚCI	OPIS	NUMER CZĘŚCI	OPIS
07005-10118	Szybkozłącze – wtyk	07900-01103	Tuleja prowadnicy tłoka AV®5
07005-10120	Szybkozłącze – gniazdo	07900-01104	Narzędzie do zespołu nakrywki czołowej AV®5
07900-00043	AV®5 głowica tłoka – przód AV®5	07992-00020	Smar – MolyLithium EP3753
07900-01101	Głowica tłoka – tłoka	07900-00755	Smar – Molykote 111
07900-01102	Bolec prowadzący przedniej uszczelki dławikowej AV®5	07900-00756	Środek do zabezpieczania gwintów Loctite 243 Thread Locker
		07002-00478	Śruba z łbem zmniejszonym HD M4 X 20

## 5.5 NARZĘDZIA SERWISOWE

Wymagane są również następujące standardowe narzędzia:

- Klucz imbusowy: 2,0 / 3,0 mm
- Klucz płaski: 12 / 14 / 18 / 24 / 45 mm A/F
- Taśma PTFE: 10 mm
- Imadło ślusarskie z osłonami szczęk – 150 mm

## 5.6 OLEJ HYDRAULICZNY

**PRZESTROGA – Stosować wyłącznie olej hydrauliczny Enerpac® HF - użycie innego oleju może spowodować usterkę narzędzia i pompy oraz spowoduje unieważnienie gwarancji.**

Olej hydrauliczny można zamówić pod następującymi numerami części.

OLEJ HYDRAULICZNY			
NUMER CZĘŚCI	07992-00081	07992-00082	07992-00083
Numer części Enerpac®	HF-95X	HF-95Y	HF-95T
Objętość	1 litr	5 litrów	20 litrów
Lepkość	32 mm <sup>2</sup> /s	32 mm <sup>2</sup> /s	32 mm <sup>2</sup> /s

## 5.7 INSTRUKCJA DEMONTAŻU

**WAŻNE - DOPILNOWAĆ, ABY ZASILANIE ELEKTRYCZNE POMPY HYDRAULICZNEJ BYŁO WYŁĄCZONE PRZED ZDEMONTOWANIEM ZESPOŁU GŁOWICY PRZEDNIEJ LUB DEMONTAŻEM NARZĘDZIA.**

**Przed demontażem:**

- Odłączyć szybkozłącza **9** i **10** oraz elektryczny kabel sterujący **14** łączące narzędzie z zespołem węża hydraulicznego.
- Zdemontować zespół głowicy przedniej z narzędzia zgodnie z instrukcją w odpowiedniej karcie danych zespołu głowicy przedniej.
- Potencjalnie niebezpieczne substancje, które mogły osadzić się na maszynie w wyniku procesów roboczych, należy usunąć przed rozpoczęciem konserwacji.

W celu wykonania pełnego serwisowania narzędzia zaleca się przeprowadzenie demontażu narzędzia w kolejności przedstawionej na stronach od **14** do **17**. Zalecamy wymianę wszystkich uszczelek po demontażu narzędzia.

**Zespół tłoka:**

- Zdemontować deflektor **3** z nakrywki czołowej **15**.
- Zaciśnąć uchwyt narzędzia w imadle z miękkimi szczękami, aby narzędzie było skierowane noskiem w dół. Włożyć kołki ustalające na \*narzędziu do montażu nakrywki czołowej w trzy otwory w nakrywce czołowej **15**.
- Za pomocą klucza 45 mm A/F wykręcić i usunąć nakrywkę czołową **15** z korpusu **1**.
- Za pomocą małego wkrętaka z płaską końcówką usunąć pierścień uszczelniający **28** z nakrywki czołowej **15** i zutylizować go.
- Podłączyć zapasowe \*szybkozłącze - wtyk do szybkozłącza - gniazda **10** na wężu hydraulicznym - powrotnym **24**. Spowoduje to zwolnienie ciśnienia ze strony powrotnej tłoka **18** i ułatwi demontaż tylnej uszczelki dławikowej **16**. Uwaga: Olej hydrauliczny zostanie wypchnięty przez zapasowe szybkozłącze – wtyk
- Umieścić trzy śruby M4 w tylnej uszczelce dławikowej **16** i użyć ich do ściągnięcia części z tylnego wału tłoka **18** i wyjęcia go poza korpus **1**.
- Za pomocą małego wkrętaka z płaską końcówką lub podobnego narzędzia usunąć pierścień uszczelniający **31** i spiralny pierścień wycofujący **30** z zewnętrznego rowka na tylnej uszczelce dławikowej **16** i zutylizować je. Podczas usuwania uszczelek uważać, aby nie uszkodzić powierzchni tylnej uszczelki dławikowej wkrętakiem.
- Zdemontować uszczelkę prętową **29** i uszczelkę zgarniającą **33**, z wewnętrznych rowków na tylnej uszczelce

dławikowej **16** i zutilizować je. Podczas usuwania uszczelek uważać, aby nie uszkodzić powierzchni tylnej uszczelki dławikowej wkrętakiem.

- Zdemontować przedni pierścień łożyska **32** i sprawdzić go pod kątem zużycia lub uszkodzeń. Zutilizować w razie potrzeby.
- Usunąć narzędzie z imadła i usunąć olej hydrauliczny z tylnej części narzędzia. Odłączyć zapasowe \*szybkoszłącze - wtyk z szybkozłącza - gniazda **10** na wężu hydraulicznym - powrotnym **24**.

Wszystkie numery oznaczone pogrubioną czcionką odnoszą się do ogólnego rysunku montażowego i listy części na stronach 18, 19 i 20.

- \* Zestaw serwisowy na stronie 13
- Podłączyć zapasowe \*szybkoszłącze - gniazdo do szybkozłącza - wtyku **9** na wężu hydraulicznym - zaciąganie **25**. Spowoduje to zwolnienie całego ciśnienia ze strony zaciągania tłoka **18** i ułatwi demontaż tłoka. Uwaga: Olej hydrauliczny zostanie wypchnięty przez zapasowe szybkozłącze - gniazdo.
- Nakręcić \*głowicę tłoka - przód na przód tłoka **18**.
- Położyć korpus na blacie roboczym **1** końcówką przednią do góry. Następnie, korzystając z miękkiego młotka, uderzać w tłok **18** w stronę tylnej części korpusu i wypchnąć go przez tylny koniec, uważając, aby nie uszkodzić przewodu na tłok w korpusie.
- Zwrócić uwagę, że podczas demontażu tłoka **18**, olej po stronie zaciągania tłoka **18** będzie wyciekać przez przednią i tylną część korpusu **1**.
- Podczas demontażu tłoka **18** przednią uszczelkę **17** można pozostawić na tłoczysku. W takim przypadku odkręcić \*głowicę tłoka - przód i ściągnąć przednią uszczelkę z tłoka.
- Za pomocą małego wkrętaka z płaską końcówką usunąć uszczelkę tłoka **35** oraz dwa pierścienie zapobiegające wyciskaniu **34** z zewnętrznego rowka na tłoku **18** i zutilizować je. Podczas usuwania uszczelek uważać, aby nie uszkodzić powierzchni tłoka wkrętakiem.
- Jeśli przednia uszczelka **17** nadal pozostaje na korpusie **1**. Położyć korpus na blacie głowicą do góry i wypchać przednią uszczelkę od przodu, aż znajdzie się poza wgłębieniem w korpusie. Przednią uszczelkę można następnie usunąć z tylnego końca korpusu. Zachować ostrożność, aby nie uszkodzić kanału w korpusie podczas tej czynności.
- Za pomocą małego wkrętaka z płaską końcówką usunąć pierścień uszczelniający **38** i spiralny pierścień wycofujący **39** z zewnętrznego rowka na uszczelce przedniej **17** i zutilizować je. Podczas usuwania uszczelek uważać, aby nie uszkodzić powierzchni przedniej uszczelki dławikowej wkrętakiem.
- Zdemontować uszczelkę prętową **36** i uszczelkę zgarniającą **40**, z wewnętrznych rowków na przedniej uszczelce dławikowej **17** i zutilizować je. Podczas usuwania uszczelek uważać, aby nie uszkodzić powierzchni przedniej uszczelki dławikowej wkrętakiem.
- Zdemontować przedni pierścień łożyska **37** i sprawdzić go pod kątem zużycia lub uszkodzeń. Zutilizować w razie potrzeby.
- Wyjąć zapasowe \*szybkoszłącze - gniazdo z szybkozłącza - wtyku **9** na wężu hydraulicznym - zaciąganie **25**.

**Zmontować, wykonując powyższą procedurę demontażu w odwrotnej kolejności, zwracając uwagę na następujące kwestie:**

- Oczyszczyć wszystkie części przed montażem.
- Aby ułatwić montaż uszczelek, nałożyć cienką warstwę smaru Molykote® 111 na wszystkie uszczelki, rowki uszczelek, pierścienie wycofujące i narzędzia montażowe.
- Nasunąć pierścień uszczelniający **38** na przednią uszczelkę dławikową **17** i w zewnętrzny rowek. Włożyć spiralny pierścień wycofujący **39** w ten sam rowek, przed zainstalowanym pierścieniem uszczelniającym. Skorzystać z rysunku ogólnego montażu i listy części, aby uzyskać informacje o prawidłowej orientacji pierścienia uszczelniającego i spiralnego pierścienia wycofującego.
- Wcisnąć przedni pierścień łożyska **36** w wewnętrzne wgłębienie w przedniej uszczelce dławikowej **17**, po czym zainstalować uszczelkę prętową **36** za przednim pierścieniem łożyska. Zamontować uszczelkę zgarniającą **40** w przednim wgłębieniu przedniej uszczelki dławikowej. Skorzystać z rysunku ogólnego montażu, aby zapewnić prawidłową orientację uszczelki prętowej i uszczelki zgarniającej.



- Nasmarować powierzchnię i przednią krawędź kanału korpusu **2**, w którym zamontowana ma być przednia uszczelka dławikowa **17** smarem Molykote® 111.
- Nasmarować czop narzędzia do \*pręta prowadzącego przedniej uszczelki dławikowej i nałożyć przednią uszczelkę dławikową **17**, uszczelkę prętową **36** końcem naprzód, całkowicie na czop. Włożyć \*pręt prowadzący przedniej uszczelki dławikowej w tył korpusu **1**, po czym wepchnąć przednią uszczelkę dławikową do końca w kanał w korpusie. Użycie znacznej siły jest konieczne do włożenia przedniej uszczelki dławikowej w korpus, dlatego użycie prasy lub imadła może być konieczne. Usunąć \*pręt prowadzący przedniej uszczelki dławikowej, dopilnowując, aby przednia uszczelka dławikowa pozostała na miejscu.
- Nasmarować rowek uszczelki i zewnętrzną większą średnicę tłoka **18** smarem Molykote® 111. Wsunąć uszczelkę tłoka **35** na przednią część większej średnicy tłoka i do wnętrza rowka uszczelki. Zamontować dwa pierścienie zapobiegające wyciskaniu **34** w rowku uszczelki tłoka, po obu stronach uszczelki tłoka.
- Nakręcić \*głowicę tłoka - przód na przód tłoka **18**. Nasmarować \*głowicę tłoka - przód, tłoczysko i uszczelkę tłoka **35** smarem Molykote® 111.

Wszystkie numery oznaczone pogrubioną czcionką odnoszą się do ogólnego rysunku montażowego i listy części na stronach 18, 19 i 20.

\* Zestaw serwisowy na stronie 13

- Wkręcić \*tuleję prowadzącą tłoka do końca w tył korpusu **1**. Nasmarować kanały w korpusie i w \*tulei prowadzącej tłoka smarem Molykote® 111.
- Podłączyć zapasowe \*szybkozłącze - gniazdo do szybkozłącza - wtyku **9** na wężu hydraulicznym - zaciąganie **25**. Pozwoli to na uwolnienie powietrza z tłoka po stronie zaciągania **18** podczas wkładania tłoka.
- Włożyć zmontowany tłok **18** w tył korpusu **1** i przez zamontowaną przednią uszczelkę dławikową **17**. Pchać tłok do skrajnej pozycji przedniej, aż dotrze do przedniej uszczelki dławikowej. Olej hydrauliczny zostanie wypchnięty przez wąż hydrauliczny - zaciąganie **25**.
- Wyjąć zapasowe \*szybkozłącze - gniazdo z szybkozłącza - wtyku **9** na wężu hydraulicznym - zaciąganie **25**. Usunąć tuleję prowadzącą tłoka do końca z tyłu korpusu **1**.
- Nasunąć pierścien uszczelniający **31** na tylną uszczelkę dławikową **16** i w zewnętrzny rowek. Włożyć spiralny pierścien wycofujący **30** w ten sam rowek, za zainstalowanym pierścieniem uszczelniającym. Skorzystać z rysunku ogólnego montażu i listy części, aby uzyskać informacje o prawidłowej orientacji pierścienia uszczelniającego i spiralnego pierścienia wycofującego.
- Wcisnąć tylny pierścien łożyska **32** w wewnętrzne wgłębienie w tylnej uszczelce dławikowej **16**, po czym zainstalować uszczelkę prętową **29** za tylnym pierścieniem łożyska. Zamontować uszczelkę zgarniającą **33** w tylnym wgłębieniu przedniej uszczelki dławikowej. Skorzystać z rysunku ogólnego montażu, aby zapewnić prawidłową orientację uszczelki prętowej i uszczelki zgarniającej.
- Zacisnąć uchwyt narzędzia w imadle z miękkimi szczękami, aby narzędzie było skierowane noskiem w dół.
- Nasmarować powierzchnię i przednią krawędź kanału korpusu **1**, w którym zamontowana ma być tylna uszczelka dławikowa **16** smarem Molykote® 111. Nasmarować tłoczysko tylne tłoka **18** smarem Molykote® 111.
- Włożyć \*głowicę tłoka - tył w tłoczysko tylne tłoka **18** i nasmarować smarem Molykote® 111.
- Napełnić tył korpusu **1** olejem hydraulicznym Enerpac® HF. Poziom oleju powinien sięgać nieznacznie powyżej tylnego otworu wlotowego w korpusie.
- Podłączyć zapasowe \*szybkozłącze - wtyk do szybkozłącza - gniazda **10** na wężu hydraulicznym - powrotnym **24**. Pozwoli to na uwolnienie powietrza z tłoka po stronie powrotnej tłoka **18** podczas wkładania tylnej uszczelki dławikowej **16**. Uwaga: Olej hydrauliczny może zostać wypchnięty przez zapasowe szybkozłącze - gniazdo.
- Nałożyć tylną uszczelkę dławikową **16** na \*głowicę tłoka - tył. Następnie wepchnąć tylną uszczelkę dławikową na tłoczysko **18** i do tyłu korpusu **1**. Wpychać tylną uszczelkę dławikową w korpus, aż kilka gwintów wewnętrznych zostanie odsłoniętych z tyłu korpusu. Zachować ostrożność, aby nie uszkodzić pierścienia uszczelniającego **31** oraz spiralnego pierścienia wycofującego **30** na gwintach podczas wkładania tylnej uszczelki dławikowej.
- Nasmarować wewnętrzny gwint w korpusie **1** i zewnętrzny gwint na nakrywce czołowej **15** smarem MolyLi-thium.

- Wkręcić nakrywkę czołową **15** do końca w tył korpusu **1** za pomocą \*narzędzia do montażu nakrywki czołowej. Dzięki temu tylna uszczelka dławikowa **16** zostanie wciśnięta we właściwe położenie w korpusie **1** i niewielka ilość oleju zostanie wypchnięta przez wąż hydrauliczny - powrotny **24**.
- Odłączyć zapasowe \*szybkozłącze - wtyk z szybkozłącza - gniazda **11** na węży hydraulicznym - powrotnym **24**.
- Wcisnąć deflektor **3** na nakrywkę czołową **15**.
- Napełnić narzędzie wstępnie zgodnie z opisem przygotowania do użycia na stronie **10**.

#### Zespół węża:

- Wykręcić dwie śruby **8** z zacisku węża **13** przy pomocy klucza imbusowego 3,0 mm. Zdjąć zacisk węża i wkładkę zacisku 26 z tulei ochronnej **27** i węże hydrauliczne - powrotny **24** i zaciągania **25**.
- Za pomocą małego wkrętaka z płaską końcówką podważyć uchwyt **7** z osłon uchwytu **11** i **12**. Pociągnąć uchwyt nad tuleją ochronną **27** węzami hydraulicznymi - powrotnym **24** i zaciągania **25** i usunąć.
- Za pomocą klucza imbusowego 3,0 mm (i klucza 7,0 mm na dolnej nakrętce) wykręcić cztery śruby **20** mocujące osłony uchwytu **11** i **12** oraz usunąć je.

Wszystkie numery oznaczone pogrubioną czcionką odnoszą się do ogólnego rysunku montażowego i listy części na stronach 18, 19 i 20.

\* Zestaw serwisowy na stronie 13

- Spust **6** jest przylutowany do kabla sterującego. Zdemontować ten zespół z uchwytów **11** i **12**. Uszczelka kabla **22** jest częścią tego zespołu.
- Przeciąć opaskę zaciskową **43** i odsunąć tuleję ochronną do tyłu **27**, aby odsłonić mocowania na węzłach hydraulicznych **24** i **25**. Węże hydrauliczne można usunąć z korpusu **1** za pomocą kluczy 12 mm i 14 mm.
- Szybkozłącza - wtyk **9** i gniazdo **10** można usunąć z węży hydraulicznych **24** i **25** za pomocą kluczy 18 mm i 24 mm.

#### Zmontować, wykonując powyższą procedurę demontażu w odwrotnej kolejności, zwracając uwagę na następujące kwestie:

- Przed montażem oczyścić wszystkie gwinty szybkozłączy - wtyk **9** i gniazdo **10** oraz węży hydraulicznych - powrotnym **24** i zaciągania **25**. Następnie nałożyć trzy warstwy taśmy PTFE 10 mm na gwinty wtyków na obu węzłach hydraulicznych.
- Po zmontowaniu wstępnie napełnić narzędzie zgodnie z opisem na stronie 10.

#### 5,8 OCHRONA ŚRODOWISKA

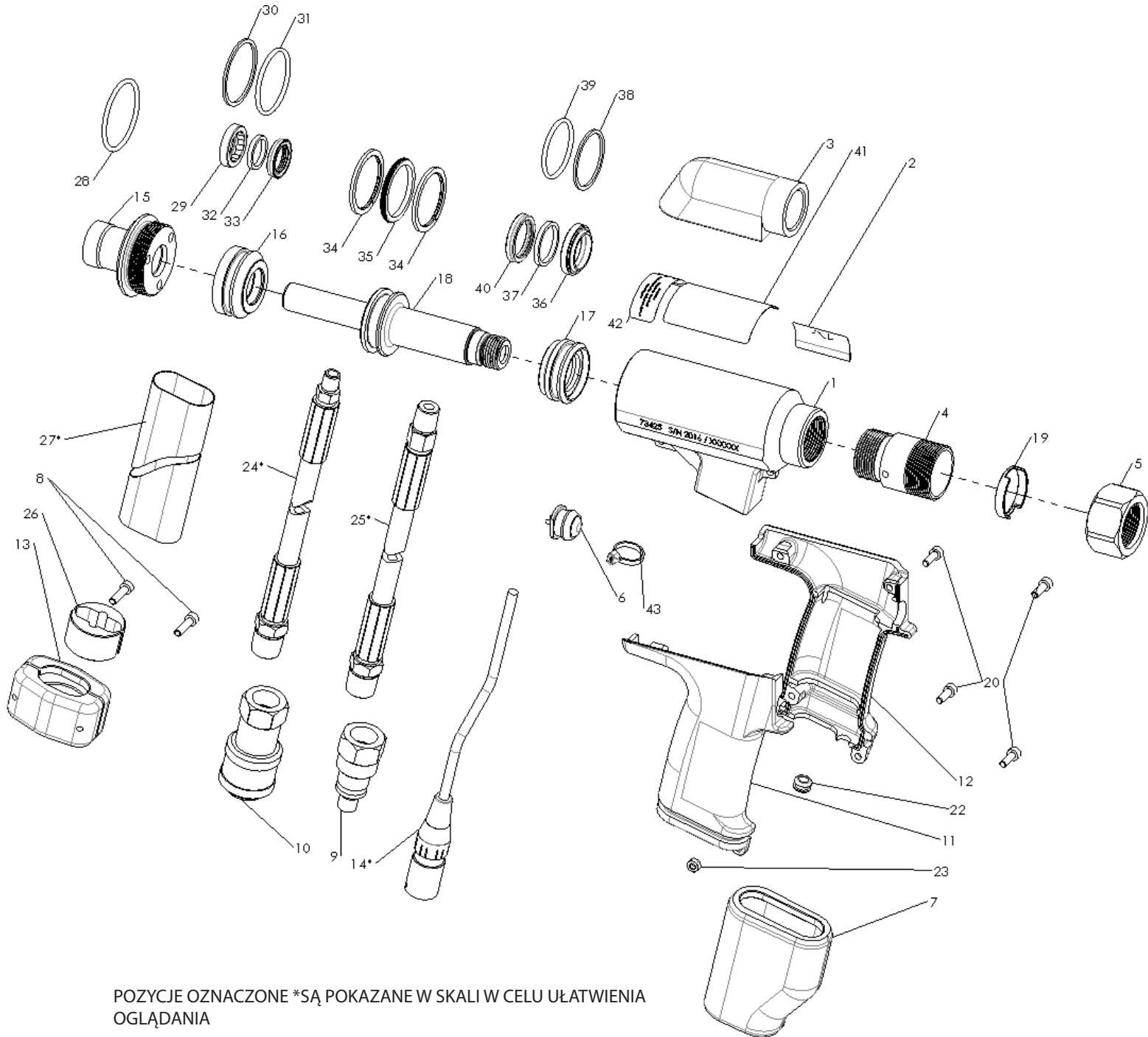
- Zapewnić zgodność z obowiązującymi przepisami dotyczącymi utylizacji. Zutylizować wszystkie odpady w odpowiednim zakładzie przetwórstwa odpadów, aby nie narażać personelu ani środowiska.

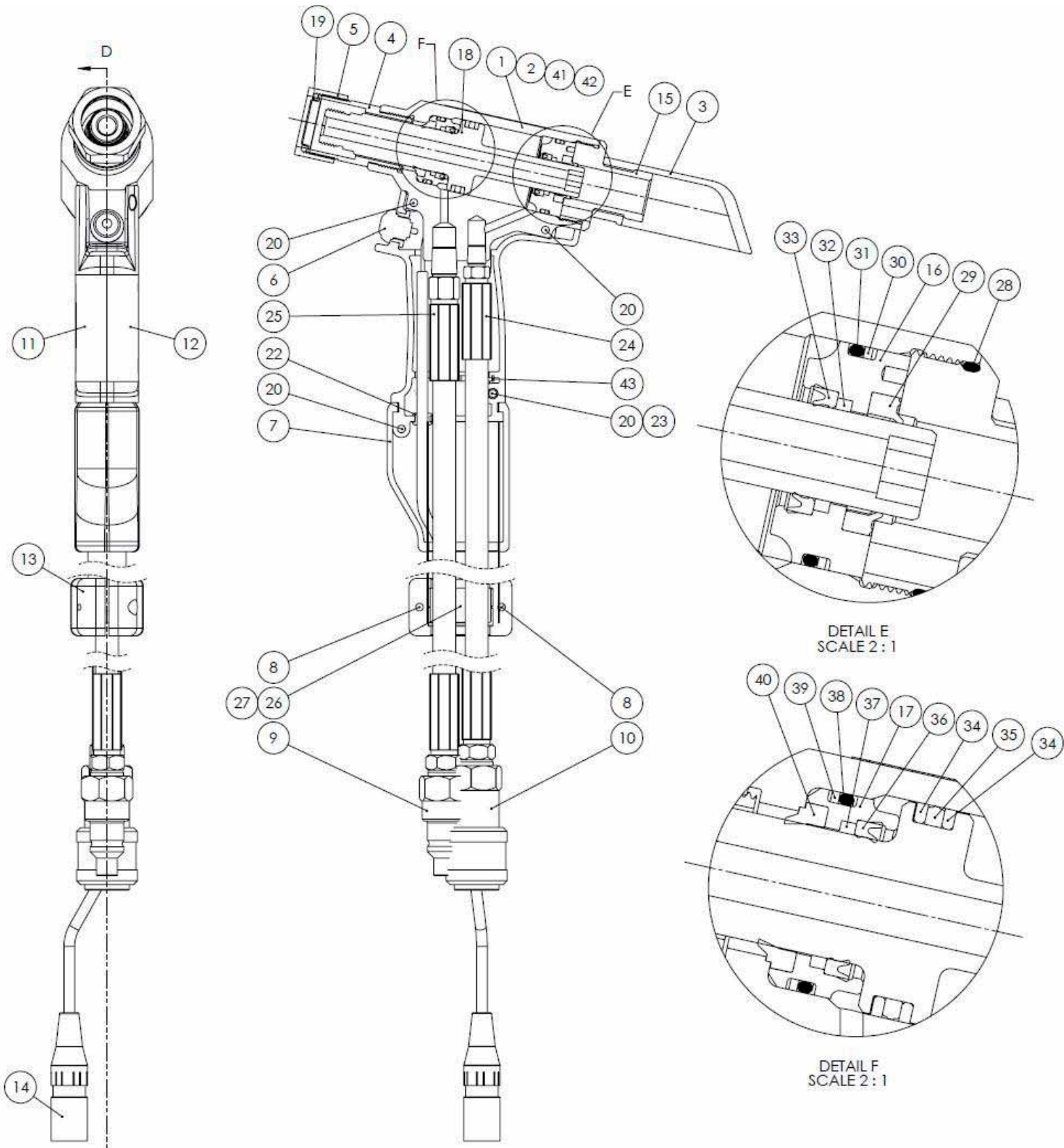
Wszystkie numery oznaczone **pogrubioną czcionką** odnoszą się do ogólnego rysunku montażowego i listy części na stronach 18, 19 i 20.

\* Zestaw serwisowy na stronie 13.

## 6. OGÓLNY RYSUNEK MONTAŻOWY I LISTA CZĘŚCI

### 6.1 OGÓLNY RYSUNEK MONTAŻOWY





## 6.2 LISTA CZĘŚCI

LISTA CZĘŚCI 73425-02000			
POZ. Nr.	NUMER CZĘŚCI	OPIS	LICZBA SZTUK
1	73425-02003	Głowica AV®5	1
2	73425-02014	Naklejka AV®5	1
3	73200-02030	Deflektor	1
4	73200-02041	Adapter	1
5	73200-02042	Nakrętka ustalająca	1
6	73425-02013	Zespół spustu	1
7	73430-02020	Uchwyt	1
8	07001-00686	Śruba z łbem zmniejszonym M4	2
9	07005-10118	Szybkozłącze - wtyk	1
10	07005-10120	Szybkozłącze - gniazdo	1
11	73425-02009	Zespół obudowy uchwytu - lewy	1
12	73425-02015	Zespół obudowy uchwytu - prawy	1
13	73430-02023	Zacisk węża	1
14	07007-02105	Kabel sterujący	1
15	73425-02007	Nakrywka czołowa	1
16	73425-02006	Tyłna uszczelka	1
17	73425-02005	Przednia uszczelka	1
18	73425-02011	Tłok głowicy	1
19	73200-02043	Pierścień adaptera	1
20	07001-00688	Śruba z łbem zmniejszonym M4	4
22	07007-02140	Gumowa uszczelka przelotowa	1
23	07002-00134	Nakrętka M4	1
24	07005-10119	Wąż hydrauliczny - powrotny	1
25	07005-10117	Wąż hydrauliczny - zaciąganie	1
26	73430-02024	Wkładka zacisku	1
27	07005-10121	Tuleja ochronna	0,4 m
28	07003-00308	Pierścień uszczelniający	1
29	07003-00442	Uszczelka zgarniająca	1
30	07003-00527	Spiralny pierścień wycofujący	1
31	07003-00526	Pierścień uszczelniający	1
32	73430-02010	Tyłny pierścień łożyska	1
33	07003-00441	Uszczelka prętowa	1
34	07003-00521	Pierścień zapobiegający wyciskaniu	2
35	07003-00520	Uszczelka tłoka	1
36	07003-00523	Uszczelka prętowa	1
37	73200-03104	Pierścień łożyska	1
38	07003-00524	Pierścień uszczelniający	1
39	07003-00525	Spiralny pierścień wycofujący	1
40	07003-00522	Uszczelka zgarniająca	1
41	73425-02016	Etykieta ostrzegawcza	1
42	07007-01504	Naklejka CE	1
43	07007-02032	Opaska zaciskowa	1

## 7. DANE DOTYCZĄCE BEZPIECZEŃSTWA

### 7.1 KARTA CHARAKTERYSTYKI OLEJU HYDRAULICZNEGO Enerpac® HF

#### PIERWSZA POMOC

##### SKÓRA:

Niskie ryzyko uszkodzenia skóry w razie krótkiej lub okazjonalnej styczności, ale przedłużona ekspozycja może prowadzić do zapalenia skóry. Umyć skórę dokładnie wodą z mydłem, jak najszybciej to możliwe, w rozsądnym zakresie. Usunąć silnie zanieczyszczoną odzież i umyć skórę pod spodem.

##### SPOŻYCIE:

Niskie ryzyko obrażeń ciała w razie przypadkowego połknięcia niewielkiej dawki, ale większe ilości mogą powodować nudności i biegunkę. W razie zanieczyszczenia ust dokładnie przepłukać je wodą. Z wyjątkiem działania z premedytacją, spożycie dużych ilości produktu jest mało prawdopodobne. Jeśli do niego dojdzie, nie wywoływać wymiotów i uzyskać pomoc lekarską. Przewieźć osobę do najbliższego szpitala.

##### OCZY:

Niskie ryzyko szkód większych niż przejściowe szczypanie lub zaczerwienienie w razie przypadkowej styczności z oczami. Przemyc oczy dokładnie dużą ilością wody, przytrzymując powieki otwarte. Uzyskać pomoc lekarską w przypadku pojawienia się lub utrzymywania się bólu lub zaczerwienienia.

##### PORADY MEDYCZNE:

Ogólnie rzecz biorąc, leczenie powinno być objawowe i nakierowane na złagodzenie wszelkich skutków.

Uwaga: Zastosowania wysokociśnieniowe:

Wtrąsnięcie pod skórę, wynikające ze styczności z produktem pod wysokim ciśnieniem, stanowi poważne zagrożenie dla zdrowia wymagające natychmiastowej pomocy. Początkowo obrażenia mogą nie wyglądać na poważne, ale po kilku godzinach wystąpi spuchnięcie i odbarwienie tkanek, które jest skrajnie bolesne i połączone z martwicą tkanek podskórnych.

Konieczne jest niezwłoczne podjęcie zwiadowczej interwencji chirurgicznej. Dokładne i szeroko zakrojone opracowanie i oczyszczenie chirurgiczne rany oraz głębiej znajdujących się tkanek jest konieczne do minimalizacji zakresu utraty tkanek oraz zapobiegania lub ograniczenia trwałych szkód. Zwrócić uwagę, że wysokie ciśnienie może wyrzucać produkt na znaczne odległości wzdłuż płaszczyzn tkanek.

#### UTYLIZACJA

Usuwać rozlany olej obojętnym chemicznie materiałem chłonnym. Zapewnić wentylację miejsca wycieku. Umieścić zanieczyszczone materiały w jednorazowym pojemniku i zutylizować zgodnie z lokalnymi przepisami.

#### POŻAR

TEMPERATURA ZAPŁONU: 200°C.

Gasić z użyciem proszkowego środka gaśniczego, piany lub dwutlenku węgla. Nie wchodzić do ciasnych miejsc bez autonomicznego aparatu oddechowego.

#### OBCHODZENIE SIĘ

Używać kremu ochronnego lub rękawic olejodpornych.

#### PRZECHOWYWANIE

Pod osłoną i zgodnie z lokalnymi przepisami dla materiałów łatwopalnych.

### 7.2 KARTA CHARAKTERYSTYKI SMARU MOLYLITHIUM EP 3753

Smar może zostać zamówiony jako oddzielna pozycja, numer części jest zamieszczony w punkcie „Zestaw serwisowy” na stronie 12.

#### PIERWSZA POMOC

##### SKÓRA:

Ponieważ smar jest całkowicie wodoodporny, najlepiej usuwać go atestowanym emulgującym środkiem do czyszczenia skóry.

##### SPOŻYCIE:

Dopilnować, aby osoba, która spożyła smar, wypiała 30 ml mleka magnezowego, najlepiej zmieszanego z kubkiem mleka.

##### OCZY:

Działa drażniąco, ale nie jest szkodliwy. Przepłukać wodą i uzyskać pomoc lekarską.

#### POŻAR

TEMPERATURA ZAPŁONU: Powyżej 220°C.

Niesklasyfikowany jako palny.

Odpowiednie środki gaśnicze: CO<sub>2</sub>, halon lub rozpylona woda stosowane przez doświadczonego operatora.

#### ŚRODOWISKO NATURALNE

Zebrać w celu spalenia lub utylizacji w odpowiednim zakładzie.



**OBCHODZENIE SIĘ**

Używać kremu ochronnego lub rękawic olejodpornych

**PRZECHOWYWANIE**

Z dala od gorąca i środków utleniających.

**7.3 KARTA CHARAKTERYSTYKI SMARU MOLYKOTE® 111**

Smar może zostać zamówiony jako oddzielna pozycja, numer części jest zamieszczony w punkcie „Zestaw serwisowy” na stronie 12.

**PIERWSZA POMOC****SKÓRA:**

Zastosowanie środków pierwszej pomocy nie powinno być konieczne.

**SPOŻYCIE:**

Zastosowanie środków pierwszej pomocy nie powinno być konieczne.

**OCZY:**

Zastosowanie środków pierwszej pomocy nie powinno być konieczne.

**WDYCHANIE:**

Zastosowanie środków pierwszej pomocy nie powinno być konieczne.

**POŻAR**

TEMPERATURA ZAPŁONU: Powyżej 101,1°C. (zamknięty pojemnik)

Własności wybuchowe: Nie

Odpowiednie środki gaśnicze: Piana z dwutlenku węgla, proszek lub drobno rozpylona woda. Woda może być stosowana do chłodzenia pojemników narażonych na ogień.

**ŚRODOWISKO NATURALNE**

Nie przewiduje się negatywnego oddziaływania na środowisko.

**OBCHODZENIE SIĘ**

Zalecana jest ogólna wentylacja. Unikać styczności z oczami.

**PRZECHOWYWANIE**

Nie przechowywać razem ze środkami utleniającymi. Utrzymywać pojemnik zamknięty i przechowywać z dala od wody lub wilgoci.



## 8. DIAGNOSTYKA USTEREK

OBJAW	MOŻLIWA PRZYCZYNA	ROZWIĄZANIE	PATRZ STR.
Narzędzie nie działa	Niesprawna pompa	Sprawdzić zasilanie pompy i skorzystać z instrukcji obsługi pompy	
	Niesprawne szybkozłącza <b>9</b> i <b>10</b>	Wymienić szybkozłącza	19
	Kabel sterowania spustem <b>14</b> nie podłączony prawidłowo	Sprawdzić, czy kabel sterowania spustem jest prawidłowo podłączony do pompy i do narzędzia	10
	Uszkodzony włącznik spustowy <b>6</b> lub kabel sterujący <b>14</b>	Wymienić włącznik spustowy i/lub kabel sterujący	19
Włącznik spustowy <b>7</b> nie działa	Pompa w trybie lokalnym	Skorzystać z instrukcji obsługi pompy	
	Uszkodzony włącznik spustowy <b>6</b> , kabel sterujący <b>14</b> lub złącze	Wymienić włącznik spustowy i/lub kabel sterujący	19
Pompa pracuje, ale narzędzie nie działa	Węże hydrauliczne nie są podłączone	Sprawdzić prawidłowość podłączenia do pompy i do narzędzia	10
	Niski poziom oleju	Dopilnować, aby narzędzie było napełnione olejem i prawidłowo wstępnie napełnione i gotowe do pracy. Skorzystać z instrukcji obsługi pompy	10
	Zewnętrzny wyciek oleju z narzędzia	Sprawdzić narzędzie - wymienić zużyte lub uszkodzone komponenty	14 - 17
	Zewnętrzny wyciek oleju z zespołu węża	Sprawdzić zespół węża - dopilnować, aby połączenia węża były szczelne i/lub wymienić uszkodzone złącza węża	19
	Zewnętrzny/wewnętrzny wyciek oleju z pompy	Skorzystać z instrukcji obsługi pompy	
Narzędzie pracuje nierówno	Niskie lub nierówne ciśnienie hydrauliczne	Skorzystać z instrukcji obsługi pompy	
	Zużyte lub uszkodzone uszczelki hydrauliczne w narzędziu	Sprawdzić narzędzie - wymienić zużyte lub uszkodzone uszczelki	14 - 17
	Zużyte lub uszkodzone powierzchnie uszczelniające w narzędziu	Sprawdzić narzędzie - wymienić zużyte lub uszkodzone komponenty	14 - 17
	Zewnętrzny/wewnętrzny wyciek oleju z pompy	Skorzystać z instrukcji obsługi pompy	
Pompa generuje maksymalne ciśnienie, ale trzpień nie pęka	Wytrzymałość na łamanie przekracza wydajność narzędzia przy pełnym ciśnieniu	Skorzystać z danych technicznych narzędzia	7
	Dopływ do narzędzia zablokowany	Sprawdzić, czy szybkozłącza <b>9</b> i <b>10</b> są całkowicie podłączone	10
	Ustawiona za niska wartość zwalniania ciśnienia nadmiarowego pompy	Dostosować ustawienia zaworu nadmiarowego - skorzystać z instrukcji obsługi pompy	
	Rowki do zaciągania na odłamującym trzpieniu elementu złącznego są zerwane	Patrz objaw na stronie 24	11
	Nieprawidłowa praca narzędzia		11

OBJAW	MOŻLIWA PRZYCZYNA	ROZWIĄZANIE	PATRZ STR.
Tłok narzędzia <b>1</b> nie powraca	Przepływ powrotny ograniczony lub zablokowany	Sprawdzić, czy szybkozłącza <b>9</b> i <b>10</b> są całkowicie podłączone i czy nie są uszkodzone	10
	Węże hydrauliczne nie są podłączone	Sprawdzić prawidłowość podłączenia do pompy i do narzędzia	10
	Awaria zaworu pompy	Skorzystać z instrukcji obsługi pompy	
Narzędzie nie wyrzuca kołnierza z kowadełka	Nieprawidłowe ustawienie timera powrotnego pompy - ustawiona za niska wartość	Dostosować ustawienia timera powrotnego - skorzystać z instrukcji obsługi pompy	
	Ustawiona za niska wartość dla zaworu nadmiarowego powrotnego pompy	Dostosować ustawienia powrotnego zaworu nadmiarowego - skorzystać z instrukcji obsługi pompy	
	Niskie lub nierówne ciśnienie hydrauliczne	Skorzystać z instrukcji obsługi pompy	
	Zużyte lub uszkodzone uszczelki hydrauliczne w narzędziu	Sprawdzić narzędzie - wymienić zużyte lub uszkodzone uszczelki	14 - 17
	Zużyte lub uszkodzone powierzchnie uszczelniające w narzędziu	Sprawdzić narzędzie - wymienić zużyte lub uszkodzone komponenty	14 - 17
	Zewnętrzny/wewnętrzny wyciek oleju z pompy	Skorzystać z instrukcji obsługi pompy	
Rowki do zaciągania na odłamywanym trzpieniu elementu złącznego są zrywane podczas instalacji	Operator nie wciska głowicy przedniej do końca na odłamywany trzpień elementu złącznego przed użyciem narzędzia	Przeszkolić operatora z zakresu prawidłowego sposobu instalacji	11
	Błędna długość elementu złącznego/chwytu	Użyć właściwego elementu złącznego	
	Zużyte lub uszkodzone segmenty szczęk	Sprawdzić i wymienić zestaw szczęk - skorzystać z karty danych osprzętu głowicy przedniej	11
	Resztki w segmentach szczęk i/lub rowkach odłamywanego trzpienia	Oczyścić segmenty szczęk - skorzystać z karty danych osprzętu głowicy przedniej	
	Nadmierny odstęp między blachami	Zmniejszyć odstęp między blachami	11
Kołnierz Avdelok® lub Avbolt® nie jest całkowicie wtłoczony	Nieprawidłowa praca narzędzia		11
	Zużyty kanał kowadełka	Sprawdzić i wymienić kowadełko - skorzystać z karty danych osprzętu głowicy przedniej	
Odłamany trzpień nie jest zwalniany z osprzętu głowicy przedniej	Błędny montaż osprzętu głowicy przedniej	Skorzystać z karty danych osprzętu głowicy przedniej	
Narzędzie i olej hydrauliczny robią się gorące	Przeszkody w przewodzie hydraulicznym	Sprawdzić hydrauliczne szybkozłącza <b>9</b> i <b>10</b> i wymienić w razie potrzeby	19
	Wysoka temperatura otoczenia		
Olej przecieka przez hydrauliczne szybkozłącza <b>9</b> i <b>10</b>	Zużyty pierścień uszczelniający w korpusie szybkozłącza - wtyku <b>9</b>	Wymienić pierścień uszczelniający i pierścień wycofujący szybkozłącza <b>9</b>	19

Wszystkie numery oznaczone **pogrubioną** czcionką odnoszą się do ogólnego rysunku montażowego i listy części na stronach 18, 19 i 20.

\* Zestaw serwisowy na stronie 13.

## 9. DEKLARACJA ZGODNOŚCI WE

My, **Stanley Engineered Fastening, Stanley House, Works Road, Letchworth Garden City, Hertfordshire, SG6 1JY WIELKA BRYTANIA**, oświadczamy na własną odpowiedzialność, że produkt:

**Opis:** NARZĘDZIE HYDRAULICZNO-ELEKTRYCZNE

**Model:** AV<sup>®</sup> 5 NARZĘDZIE DO NITÓW STRUKTURALNYCH – 73425-02000

którego dotyczy niniejsza deklaracja, jest zgodny z następującymi normami zharmonizowanymi:

ISO 12100:2010	EN ISO 3744:2010
EN ISO 11202:2010	EN ISO 11148-1:2011
EN ISO 4413:2010	EN ISO 20643:2008+A1:2012
EN ISO 4414:2010	ES100118-rev 17:2017
EN ISO 28927-5:2009+A1:2015	

Dokumentacja techniczna została sporządzona zgodnie z punktem 1.7.4.1 Załącznika 1 następującej dyrektywy: **Dyrektywa maszynowa 2006/42/WE** (w Wielkiej Brytanii obowiązuje ustawa odnosząca się do tej dyrektywy: Statutory Instruments 2008 No 1597 - The Supply of Machinery (Safety) Regulations).

Niżej podpisany składa niniejszą deklarację w imieniu STANLEY Engineered Fastening



**A. K. Seewraj**

**Director of Engineering, Wielka Brytania**

Avdel UK Limited, Stanley House, Works Road, Letchworth Garden City, Hertfordshire, SG6 1JY WIELKA BRYTANIA

**Miejsce wydania:** Letchworth Garden City, Wielka Brytania

**Data wydania:** 24-08-2021

Niżej podpisana osoba odpowiada za sporządzenie dokumentacji technicznej dla produktów sprzedawanych w Unii Europejskiej i składa tę deklarację w imieniu Stanley Engineered Fastening.

**Matthias Appel**

**Team Leader Technical Documentation**

Stanley Engineered Fastening, Tucker GmbH, Max-Eyth-Str.1,  
35394 Gießen, Niemcy



Ta maszyna jest zgodna z dyrektywą maszynową  
2006/42/WE

**STANLEY**  
Engineered Fastening

## 10. DEKLARACJA ZGODNOŚCI DLA WLK. BRYT.

My, **Stanley Engineered Fastening, Stanley House, Works Road, Letchworth Garden City, Hertfordshire, SG6 1JY WIELKA BRYTANIA**, oświadczamy na własną odpowiedzialność, że produkt:

**Opis:** NARZĘDZIE HYDRAULICZNO-ELEKTRYCZNE

**Model:** AV® 5 NARZĘDZIE DO NITÓW STRUKTURALNYCH – 73425-02000

którego dotyczy niniejsza deklaracja, jest zgodny z następującymi normami zharmonizowanymi:

ISO 12100:2010	EN ISO 3744:2010
EN ISO 11202:2010	EN ISO 11148-1:2011
EN ISO 4413:2010	EN ISO 20643:2008+A1:2012
EN ISO 4414:2010	ES100118-rev 17:2017
EN ISO 28927-5:2009+A1:2015	

Dokumentacja techniczna została sporządzona zgodnie z ustawą Supply of Machinery (Safety) Regulations 2008, S.I. 2008/1597 (wraz ze zmianami).

Niżej podpisany składa niniejszą deklarację w imieniu STANLEY Engineered Fastening



**A. K. Seewraj**

**Director of Engineering, Wielka Brytania**

Avdel UK Limited, Stanley House, Works Road, Letchworth Garden City, Hertfordshire, SG6 1JY WIELKA BRYTANIA

**Miejsce wydania:** Letchworth Garden City, Wielka Brytania

**Data wydania:** 24-08-2021



Ta maszyna jest zgodna z  
ustawą Supply of Machinery (Safety) Regulations  
2008,  
S.I. 2008/1597 (wraz ze zmianami)

## 11. CHROŃ SWOJĄ INWESTYCJĘ!

### **Stanley® Engineered Fastening GWARANCJA NA NARZĘDZIE DO NITÓW ZRYWALNYCH**

STANLEY® Engineered Fastening udziela gwarancji na staranne wykonanie wszystkich elektronarzędzi oraz gwarantuje, że będą one pozbawione wad wykonania i wad materiałowych w warunkach normalnego użytkowania i serwisowania przez okres jednego (1) roku.

Niniejsza gwarancja ma zastosowanie do pierwszego nabywcy narzędzia.

#### **Wyjątki:**

##### **Normalne zużycie.**

Konserwacja okresowa oraz naprawa i wymiana części spowodowane normalnym zużyciem nie są objęte gwarancją.

##### **Użytkowanie niezgodnie z przeznaczeniem.**

Uszkodzenia i usterki wynikające z błędnego użytkowania, przechowywania, użytkowania niezgodnie z przeznaczeniem, wypadku lub zaniedbania, jak np. uszkodzenia fizyczne, nie są objęte gwarancją.

##### **Nieuprawnione serwisowanie lub modyfikacja.**

Uszkodzenia lub usterki wynikające z serwisowania, próbnej regulacji, instalacji, konserwacji, jakichkolwiek zmian lub modyfikacji przeprowadzonych przez osobę inną niż pracownik STANLEY® Engineered Fastening lub pracownik autoryzowanego centrum serwisowego tej firmy nie są objęte gwarancją.

Wszelkie inne oświadczenia i zapewnienia, wyrażone lub domniemane, w tym gwarancje przydatności do sprzedaży lub do określonego celu są niniejszym wyłączone.

Jeśli wystąpi usterka podczas gwarancji, proszę niezwłocznie przekazać narzędzie do najbliższego autoryzowanego centrum serwisowego. Aby uzyskać listę autoryzowanych serwisów STANLEY® Engineered Fastening w USA lub w Kanadzie, proszę skontaktować się z nami pod bezpłatnym numerem (877) 364 2781.

Poza USA i Kanadą proszę wejść na naszą stronę **[www.STANLEYEngineeredFastening.com](http://www.STANLEYEngineeredFastening.com)**, aby odszukać najbliższe centrum obsługi STANLEY Engineered Fastening.

STANLEY Engineered Fastening następnie wymieni bezpłatnie każdą część lub wszystkie części, jakie uzna za wadliwe w wyniku wad materiałowych lub wykonania i zwróci narzędzie na własny koszt. Powyższe zobowiązanie stanowi jedyne zobowiązanie zgodnie z niniejszą gwarancją.

W żadnym wypadku STANLEY Engineered Fastening nie ponosi odpowiedzialności za żadne szkody następne ani szczególnie wynikające z zakupu lub użytkowania tego narzędzia.

#### **Zarejestruj swoją nitownicę w Internecie.**

Aby zarejestrować swoją gwarancję w Internecie, odwiedź naszą witrynę

<https://www.stanleyengineeredfastening.com/support/warranty-registration-form>

Dziękujemy za wybranie narzędzia marki STANLEY® Engineered Fastening Stanley Assembly Technologies.

©2021 por la marca STANLEY Black & Decker  
 Todos los derechos reservados.

Se prohíbe reproducir y/o publicar esta información en cualquier formato o medio (ni electrónico ni mecánico) sin la autorización previa por escrito de STANLEY Engineered Fastening. La información se proporciona en función de los datos conocidos en el momento de la presentación de este producto. STANLEY Engineered Fastening aplica una política de mejora continua de sus productos, por lo que estos están sujetos a modificaciones. La información facilitada es de aplicación al producto tal y como ha sido entregado por STANLEY Engineered Fastening. Por lo tanto, STANLEY Engineered Fastening no se responsabiliza de ningún daño derivado de alguna variación respecto de las especificaciones originales del producto.





Esta información ha sido elaborada con la máxima atención. No obstante, STANLEY Engineered Fastening no asumirá responsabilidad alguna en caso de fallos en la información o por las consecuencias que pudieran derivarse de la misma. STANLEY Engineered Fastening no asumirá responsabilidad alguna por los daños derivados de actividades efectuadas por terceros. Las denominaciones de trabajo, las denominaciones comerciales, las marcas comerciales registradas, etc. utilizadas por STANLEY Engineered Fastening no deben considerarse libres, de conformidad con la legislación relativa a la protección de marcas comerciales.

## ÍNDICE

<b>1. DEFINICIONES DE SEGURIDAD.....</b>	<b>3</b>
1.1 <i>NORMAS GENERALES DE SEGURIDAD.....</i>	3
1.2 <i>PELIGRO DE PROYECCIÓN .....</i>	4
1.3 <i>PELIGROS DURANTE EL USO .....</i>	4
1.4 <i>PELIGROS POR MOVIMIENTOS REPETITIVOS.....</i>	4
1.5 <i>PELIGROS DE LOS ACCESORIOS.....</i>	4
1.6 <i>PELIGROS DEL LUGAR DE TRABAJO.....</i>	4
1.7 <i>PELIGROS DE RUIDOS .....</i>	5
1.8 <i>PELIGROS DE VIBRACIONES.....</i>	5
1.9 <i>INSTRUCCIONES DE SEGURIDAD ADICIONALES PARA HERRAMIENTAS HIDRÁULICAS .....</i>	5
<b>2. ESPECIFICACIONES.....</b>	<b>6</b>
2.1 <i>USO PREVISTO .....</i>	6
2.2 <i>ESPECIFICACIONES DE HERRAMIENTAS .....</i>	6
2.3 <i>DIMENSIONES DE HERRAMIENTAS .....</i>	7
<b>3. PUESTA EN SERVICIO .....</b>	<b>8</b>
3.1 <i>PRINCIPIO DE FUNCIONAMIENTO .....</i>	8
3.2 <i>PREPARACIÓN PARA EL USO .....</i>	9
<b>4. INSTRUCCIONES DE FUNCIONAMIENTO .....</b>	<b>10</b>
4.1 <i>CÓMO INSTALAR UN REMACHE AVBOLT® .....</i>	10
4.2 <i>CÓMO INSTALAR UN REMACHE AVDELOK® .....</i>	10
4.3 <i>CÓMO INSTALAR UN REMACHE NEOBOLT® .....</i>	11

<b>5.</b>	<b>MANTENIMIENTO DE LA HERRAMIENTA .....</b>	<b>12</b>
5.1	MANTENIMIENTO DIARIO .....	12
5.2	MANTENIMIENTO SEMANAL .....	12
5.3	REVISIÓN ANUAL O CADA 250.000 CICLOS.....	12
5.4	KIT DE MANTENIMIENTO .....	12
5.5	HERRAMIENTAS DE MANTENIMIENTO.....	13
5.6	ACEITE HIDRÁULICO .....	13
5.7	INSTRUCCIONES DE DESMONTAJE .....	13
5.8	PROTECCIÓN DEL MEDIO AMBIENTE .....	16
<b>6.</b>	<b>BLOQUE GENERAL Y LISTA DE PIEZAS .....</b>	<b>17</b>
6.1	BLOQUE GENERAL.....	17
6.2	LISTA DE PIEZAS.....	19
<b>7.</b>	<b>DATOS DE SEGURIDAD .....</b>	<b>20</b>
7.1	ACEITE HIDRÁULICO Enerpac® HF - DATOS DE SEGURIDAD.....	20
7.2	GRASA MOLYLITHIUM EP 3753: DATOS DE SEGURIDAD.....	20
7.3	DATOS DE SEGURIDAD - GRASA MOLYKOTE® 111.....	21
<b>8.</b>	<b>DIAGNÓSTICO DE ERRORES .....</b>	<b>22</b>
<b>9.</b>	<b>DECLARACIÓN DE CONFORMIDAD CE.....</b>	<b>24</b>
<b>10.</b>	<b>DECLARACIÓN DE CONFORMIDAD DEL REINO UNIDO .....</b>	<b>25</b>
<b>11.</b>	<b>¡PROTEJA SU INVERSIÓN! .....</b>	<b>26</b>



	Las personas que instalen o hagan funcionar la herramienta deberán leer el manual de instrucciones, prestando especial atención a las siguientes instrucciones y advertencias de seguridad.
	Utilice siempre protección ocular resistente a impactos mientras esté utilizando la herramienta. El grado de protección requerido debe evaluarse para cada uso.
	El uso de la herramienta puede exponer las manos del operador a peligros como aplastamiento, impactos, cortes, abrasiones o calor. Utilice guantes adecuados para protegerse las manos.
	Utilice protecciones auditivas de acuerdo con las instrucciones de la empresa y tal y como lo exigen las normas de seguridad en el trabajo y la normativa sobre seguridad.

## 1. DEFINICIONES DE SEGURIDAD

Las siguientes definiciones describen el nivel de gravedad de cada palabra de señal. Lea el manual y preste atención a estos símbolos.



**PELIGRO:** Indica una situación de peligro inminente que, de no evitarse, podría ocasionar la muerte o una lesión grave.



**ADVERTENCIA:** Indica una situación potencialmente peligrosa que, de no evitarse, podría ocasionar la muerte o una lesión grave.



**PRECAUCIÓN:** Indica una situación potencialmente peligrosa que, de no evitarse, podría ocasionar una lesión moderada o leve.



**PRECAUCIÓN:** Usado sin el símbolo de alerta de seguridad indica una situación potencialmente peligrosa que, de no evitarse, podría causar daños materiales.

**El funcionamiento o el mantenimiento inadecuado de este producto podrían causar lesiones graves o daños materiales.**

**Lea y comprenda todas las advertencias e instrucciones de funcionamiento antes de usar este dispositivo. Cuando utilice**

**herramientas eléctricas, deberá tomar siempre todas las precauciones básicas de seguridad para reducir el riesgo de lesiones personales.**

### CONSERVE TODAS LAS ADVERTENCIAS E INSTRUCCIONES PARA FUTURAS CONSULTAS.

#### 1.1 NORMAS GENERALES DE SEGURIDAD

- Para conocer los distintos peligros, lea y entienda las instrucciones de seguridad antes de instalar, utilizar, reparar, mantener o cambiar los accesorios de la herramienta o de trabajar cerca de ella. No hacerlo puede provocar lesiones corporales graves.
- Solo los operadores cualificados y capacitados deben instalar, ajustar o usar la herramienta.
- NO utilice la herramienta para fines distintos al previsto; es decir, la colocación de remaches ciegos de STANLEY Engineered Fastening.
- Use solamente piezas, remaches y accesorios recomendados por el fabricante.
- NO modifique la herramienta. Las modificaciones pueden reducir la eficacia de los mecanismos de seguridad y aumentar los riesgos para el operador. Si el cliente realiza cualquier modificación de la herramienta, asumirá toda la responsabilidad de la misma y quedarán anuladas todas las garantías aplicables.
- No tire las instrucciones de seguridad; entréguelas al operador.
- No utilice la herramienta si está dañada.
- Antes del uso, compruebe que no haya ninguna desalineación o bloqueo de las piezas móviles, rotura de piezas y cualquier otra condición que pudiera afectar al funcionamiento de la herramienta. Si la herramienta está dañada, llévela a reparar antes de utilizarla. Extraiga las posibles llaves de ajuste antes del uso.
- Las herramientas deben revisarse periódicamente para comprobar que las clasificaciones y marcas exigidas por esta sección de la ISO 11148 sean legibles en la herramienta. Si faltan etiquetas, la empresa o el usuario solicitarán al fabricante otras de repuesto.
- La herramienta debe mantenerse siempre en condiciones de trabajo seguras, debe comprobarse a intervalos regulares que no presente daños y debe ser utilizada por personal capacitado. El procedimiento de desmontaje deberá ser realizado por personal capacitado. No desmonte esta herramienta sin consultar antes las instrucciones de mantenimiento.

## 1.2 PELIGRO DE PROYECCIÓN

- Desconecte la herramienta de la bomba hidráulica antes de realizar cualquier mantenimiento o intento de ajuste, o antes de colocar o extraer un conjunto de boquilla o un accesorio.
- Tenga en cuenta que un fallo en la pieza de trabajo o los accesorios, o incluso en la herramienta insertada, puede causar la proyección a alta velocidad.
- Utilice siempre protección ocular resistente a impactos mientras esté utilizando la herramienta. El grado de protección requerido debe evaluarse para cada uso.
- En este momento deben evaluarse también los riesgos para otras personas.
- Asegúrese de que la pieza de trabajo esté bien sujeta.
- Compruebe que los medios de protección contra la proyección de remaches y/o vástagos esté colocada y funcione.
- Advierta contra la posible la proyección forzada de los vástagos desde el frente de la herramienta.
- NO haga funcionar la herramienta dirigiéndola hacia ninguna persona.

## 1.3 PELIGROS DURANTE EL USO

- El uso de la herramienta puede exponer las manos del operador a peligros como aplastamiento, impactos, cortes, abrasiones o calor. Utilice guantes adecuados para protegerse las manos.
- Los operadores y el personal de mantenimiento deben estar capacitados físicamente para manipular el volumen, el peso y la potencia de la herramienta.
- Sostenga correctamente la herramienta. Esté preparado para contrarrestar los movimientos normales o repentinos y tenga ambas manos disponibles.
- Mantenga las manos secas, limpias y libres de aceite y grasa.
- Mantenga el cuerpo bien equilibrado y firme en el suelo cuando maneje la herramienta.
- Suelte el dispositivo arranque y parada en caso de interrupción del suministro hidráulico.
- Utilice solo los lubricantes recomendados por el fabricante.
- No permita que entren polvo ni objetos extraños en el sistema hidráulico de la herramienta pues pueden causar fallos de funcionamiento de la herramienta. Para minimizar la posibilidad de irritaciones, es necesario lavarse bien en caso de contacto.
- Previa petición, el proveedor de su herramienta puede proporcionarle las fichas de datos de seguridad de todos los aceites y lubricantes hidráulicos.
- Evite las malas posturas pues es probable que le impidan contrarrestar el movimiento normal o imprevisto de la herramienta.
- Si la herramienta está fijada a un dispositivo de suspensión, asegúrese de que la fijación sea segura.
- Tenga en cuenta el riesgo de aplastamiento o pinzamiento si el equipamiento de la boquilla no está colocado.
- NO haga funcionar la herramienta si no tiene la carcasa de la boquilla montada.
- Se requiere espacio suficiente para las manos del operador de la máquina antes de remachar.
- Cuando transporte la herramienta de un lugar a otro, mantenga las manos alejadas del gatillo, para evitar la activación involuntaria.
- NO utilice la herramienta indebidamente tirándola o usándola como martillo.
- Tome las medidas necesarias para asegurarse de que los vástagos usados no causen riesgos.

## 1.4 PELIGROS POR MOVIMIENTOS REPETITIVOS

- Al utilizar la herramienta, es posible que el operador note molestias en las manos, los brazos, los hombros, el cuello u otras partes del cuerpo.
- Cuando utilice la herramienta, el operador debe mantener una postura cómoda, equilibrada y firme sobre el suelo, evitando las malas posturas o las posturas desequilibradas. Cambiar la postura del cuerpo durante las tareas prolongadas puede ayudar a evitar la incomodidad y la fatiga.
- Si el operador experimenta síntomas como molestias persistentes o recurrentes, dolor, palpitaciones, dolor vago, hormigueo, entumecimiento, ardores o rigidez, no debe ignorar estas señales de aviso. El operador deberá informar de inmediato a su empresa y consultar un profesional sanitario cualificado.

## 1.5 PELIGROS DE LOS ACCESORIOS

- Desconecte la herramienta del suministro hidráulico y eléctrico antes de instalar o quitar el conjunto de boquilla o el accesorio.
- Utilice solo accesorios y consumibles de los tipos y los tamaños recomendados por el fabricante de la herramienta; no utilice accesorios y consumibles de otros tipos y tamaños.

## 1.6 PELIGROS DEL LUGAR DE TRABAJO

- Los resbalones, tropiezos y caídas son las principales causas de lesiones en el lugar de trabajo. Sea consciente de las superficies deslizantes provocadas por el uso de la herramienta y también de los peligros de tropiezo causados por el conducto de aire o la manguera hidráulica.
- Actúe con cuidado en los entornos desconocidos. Puede haber peligros ocultos como cables de electricidad u otras líneas de suministro.

- La herramienta no está diseñada para ser usada en atmósferas potencialmente explosivas ni está aislada contra el contacto con la energía eléctrica.
- Asegúrese de que no haya cables eléctricos, tuberías de gas, etc., que puedan causar un peligro si resultan dañados por el uso de la herramienta.
- Utilice ropa adecuada. No lleve ropa suelta ni joyas. Mantenga el cabello, la ropa y los guantes alejados de las piezas móviles. La ropa suelta, las joyas y el pelo largo pueden quedar atrapados en las piezas móviles.
- Tome las medidas necesarias para asegurarse de que los vástagos usados no causen riesgos.

### 1.7 PELIGROS DE RUIDOS

- La exposición a niveles elevados de ruido puede provocar problemas permanentes o incapacitantes, pérdida de audición y otros problemas como acúfenos (zumbidos o silbidos en los oídos). Por tanto, la evaluación de riesgos y la implementación de los controles adecuados para estos peligros son fundamentales.
- Los controles adecuados para reducir el riesgo pueden incluir medidas tales como materiales amortiguadores para evitar que las piezas de trabajo "suenen".
- Utilice protecciones auditivas de acuerdo con las instrucciones de la empresa y tal y como lo exigen las normas de seguridad en el trabajo y la normativa sobre seguridad.
- Para evitar un aumento innecesario del nivel de ruido, utilice y mantenga la herramienta como se recomienda en el manual de instrucciones.

### 1.8 PELIGROS DE VIBRACIONES

- La exposición a las vibraciones puede provocar daños incapacitantes a los nervios y a la irrigación sanguínea de las manos y los brazos.
- Utilice ropa abrigada cuando trabaje en lugares fríos y mantenga las manos calientes y secas.
- Si experimenta entumecimiento, hormigueo, dolor o palidez en los dedos o manos, deje de utilizar la herramienta, informe a su empleador y consulte al médico.
- Siempre que sea posible, sostenga el peso de la herramienta con un soporte, tensor o equilibrador, así podrá aplicar un agarre más ligero sobre la herramienta.

### 1.9 INSTRUCCIONES DE SEGURIDAD ADICIONALES PARA HERRAMIENTAS HIDRÁULICAS

- El suministro hidráulico de trabajo no debe superar los 550 bar (8000 PSI).
- El aceite bajo presión puede causar lesiones graves.
- No coloque mangueras hidráulicas flexibles para presión de trabajo inferior a 700 bar (10.000 PSI) a una velocidad de caudal de 2.73 l/min (200 en 3/min).
- Tome las medidas necesarias para asegurar que los vástagos usados no causen riesgos. Desconecte la manguera hidráulica y el cable eléctrico de la bomba cuando la herramienta no esté en uso, antes de cambiar los accesorios o al realizar reparaciones.
- Un latigazo de la manguera puede causar lesiones graves. Compruebe siempre si hay mangueras y accesorios dañados o sueltos.
- Antes del uso, inspeccione las mangueras hidráulicas para ver si están dañadas; todas las conexiones hidráulicas deben estar limpias, completamente conectadas y apretadas antes del funcionamiento. No deje caer objetos pesados sobre las mangueras. Los golpes bruscos pueden causar daños internos y fallos prematuros en la manguera.
- Siempre que se utilicen acoplamientos de torsión universales (acoplamientos de garra), se instalarán pasadores de bloqueo y se utilizarán cables de seguridad de protección contra latigazos para protegerse contra posibles errores de conexión de manguera a herramienta o de manguera a manguera.
- NO levante la herramienta de colocación sujetándola por la manguera ni por el cable eléctrico. Utilice siempre la empuñadura de la herramienta de colocación.
- NO haga un uso indebido de la herramienta arrojándola o usándola como un martillo. Use siempre la empuñadura de la bomba o el bastidor.
- NO deje que la abertura de la salida de aire del colector de vástagos mire hacia el operador o hacia otras personas.
- Use solo aceite y equipo de llenado limpios.
- Pueden utilizarse solo los fluidos hidráulicos recomendados.
- Las unidades accionadas a motor requieren un flujo libre de aire para enfriarse y, por lo tanto, deben colocarse en una zona bien ventilada y libre de humos peligrosos.
- La temperatura máxima del fluido hidráulico en la entrada es de 110 °C (230 °F).

**STANLEY Engineered Fastening aplica una política de desarrollo y mejora continua de productos y se reserva el derecho de variar las especificaciones de todos sus productos sin previo aviso.**

## 2. ESPECIFICACIONES

### 2.1 USO PREVISTO

La remachadora AV<sup>®</sup>5 es básicamente un bloque formado por un pistón y un cilindro. Cuando se conecta hidráulica y eléctricamente a una fuente de energía hidráulica compatible y se acopla el bloque de boquilla relevante, permite instalar remaches como el Avdelok<sup>®</sup> de 3/8", el NeoBolt<sup>®</sup> de 3/8", el Avbolt<sup>®</sup> de 5/16" y el Avseal<sup>®</sup> de Ø 16 mm en entornos industriales.

La herramienta de instalación y la bomba hidráulica solo deben utilizarse siguiendo las instrucciones de instalación de remaches estructurales Stanley Engineered Fastening.

En la tabla siguiente encontrará una lista de los remaches compatibles y de la boquilla asociada.

Consulte las fichas técnicas que se indican en la tabla para ver las instrucciones sobre el bloque de boquilla correspondiente.

**NO** debe usarse en lugares húmedos ni en presencia de líquidos o gases inflamables.

REMACHE		BLOQUE DE BOQUILLA			FICHA TÉCNICA DEL BLOQUE DE BOQUILLA
TIPO	TAMAÑO	REFERENCIA	DIM. 'A'	DIM. 'B'	REFERENCIA
AVBOLT <sup>®</sup>	1/4"	07220-07500	70 mm	19 mm	07900-00905
	5/16"	07220-07700	100 mm	27 mm	07900-00905
AVDELOK <sup>®</sup>	5/16"	07220-05600	130 mm	27 mm	
	3/8"	07220-02000	100 mm	27 mm	
AVSEAL <sup>®</sup> II	16 mm	07220-06800	100 mm	27 mm	07900-00840
AVTAINER <sup>®</sup>	3/8" *	71230-15600	130 mm	23 mm	
MONOBOLT <sup>®</sup>	1/4" *	71230-15800	130 mm	27 mm	
	3/8"	07220-07200	110 mm	27 mm	
NEOBOLT <sup>®</sup>	5/16"	73200-05000	100 mm	27 mm	07900-01071
	3/8"	73200-05100	100 mm	27 mm	07900-01071

Notas:

Las dimensiones de longitud se han redondeado.

\* Para acoplar este bloque de boquilla, se requiere la colocación del adaptador con n.º de pieza 07267-00800.

\*Conjunto de boquilla con liberación de mordaza.

Consulte la ilustración de la página 8 para identificar las dimensiones 'A' y 'B' del conjunto de boquilla.

Siempre deberán seguirse las instrucciones de seguridad.

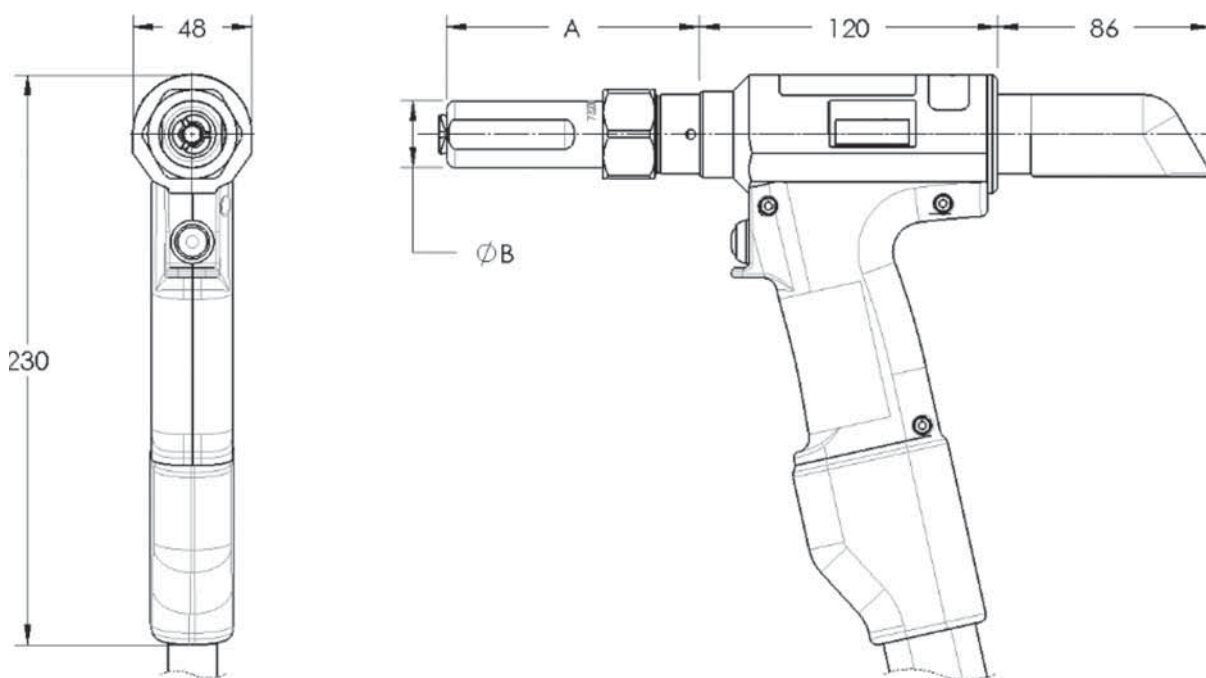
### 2.2 ESPECIFICACIONES DE HERRAMIENTAS

ESPECIFICACIONES		MÉTRICO	IMPERIAL
Fuerza:	Tracción a presión de tracción nom.	36.0 kN	8992,4 lbf
	Empuje a la presión de retorno establecida	17.5 kN	3934,1 lbf
Presión:	Tracción	510 bares	7396,9 lbf/in <sup>2</sup>
	Retorno	200 bares	2900,7 lbf/in <sup>2</sup>
Carrera:	Carrera mín. pistón	30,0 mm	1,18 in
Peso:	Con bloque de boquilla y manguera	2,9 kg	6,4 lb
Aceite hidráulico:	Aceite hidráulico Enerpac - HF-95X	-	-
	Expulsión de vástago		Atrás
	Mecanismo de cierre	Borde doble y juntas de fricción	
Características adicionales:	Anillo de cojinete hidráulico	Sí, adelante y atrás	
	Empuñadura protectora / Manguera Gator		Sí
	Protección de manguera		Sí
	Pinzas de retención de cable / manguera		Sí

Valores de ruido determinados según el código de pruebas de ruido ISO 15744 y ISO 3744.		AV5
Nivel de presión acústica ponderado A, dB(A), LWA	Incertidumbre de ruido: kWA = 3.0 dB(A)	86.9 dB(A)
Nivel de presión acústica de emisión ponderado A en la estación de trabajo dB(A), LpA	Incertidumbre de ruido: kpA = 3.0 dB(A)	75.9 dB(A)
Nivel de presión acústica de emisión pico ponderado C dB(C), LpC, pico	Incertidumbre de ruido: kpC = 3.0 dB(C)	81,1 dB(C)

Valores de ruido determinados según el código de pruebas de ruido ISO 20643 e ISO 5349		AV5
Nivel de emisiones de vibración, ahd:	Incertidumbre de vibración k = 1.34 m/s <sup>2</sup>	2.69 m/s <sup>2</sup>
Valores de emisión de vibraciones declarados de acuerdo con la EN 12096		

**2.3 DIMENSIONES DE HERRAMIENTAS**



Todas las dimensiones se indican en milímetros. En la ilustración se muestra con el bloque de boquilla NeoBolt® de 3/8" montado. El aspecto variará según las boquillas y sufrideras que se coloquen.

Consulte la ilustración de la página 7 para identificar las dimensiones 'A' y 'B' del conjunto de boquilla.

La herramienta está equipada con dos mangueras hidráulicas y un cable de control eléctrico de 0,6 m de longitud. Puede encargar por separado mangueras hidráulicas y cables de otras longitudes. En la tabla siguiente encontrará las longitudes de bloques de mangueras disponibles y sus referencias.

BLOQUE DE MANGUERA HIDRÁULICA	
REFERENCIA	LONGITUD DE LA MANGUERA
07008-00448	5 metros
07008-00449	10 metros
07008-00450	15 metros

## 3. PUESTA EN SERVICIO

### 3.1 PRINCIPIO DE FUNCIONAMIENTO

**IMPORTANTE: LEA ATENTAMENTE LAS INSTRUCCIONES DE SEGURIDAD DE LAS PÁGINAS 4- 6 Y EL MANUAL DE LA BOMBA ANTES DE LA PUESTA EN SERVICIO.**

Cuando se conectan las mangueras y el cable de control a la bomba hidráulica Avdel® / Enerpac®, los ciclos de tracción y retorno de la herramienta se controlan pulsando y soltando el gatillo situado en la empuñadura.

Al pulsar el interruptor, la válvula solenoide de la bomba hidráulica recibe energía y dirige el flujo de aceite presurizado al lado de tracción del pistón de la remachadora. Esto también permite que el aceite del lado de retorno de la remachadora vuelva al depósito.

Durante el ciclo de tracción, el pistón o el bloque de la pinza se mueve hacia la parte trasera de la herramienta, permitiendo que la junta tórica que hace de almohadilla empuje el seguidor y las mordazas hacia delante. Si se ha insertado un vástago de remache en el bloque de la boquilla, la mordaza agarrará al extremo y comenzará a remachar.

En Avbolt® y Avdelok® el ciclo de instalación primero fija la junta y a continuación, a medida que la boca sigue moviéndose hacia adelante, el collarín se aloja en las ranuras de fijación del vástago. Terminado el ciclo de estampación, el yunque subirá contra la junta y, según continua el movimiento, se rompe el vástago.

El gatillo debe soltarse nada más producirse la rotura del vástago. Al soltar el gatillo, la solenoide deja de recibir energía y se invierte el flujo de aceite presurizado.

Si no se suelta el gatillo, el pistón de la remachadora seguirá moviéndose hacia la parte trasera de la herramienta hasta llegar al final de su recorrido. La presión en el lado de tracción se aumentará entonces hasta llegar al valor de 'Presión Alta' prefijado en la bomba. En este punto, la válvula solenoide dejará de recibir energía e invertirá el flujo del aceite presurizado al lado de retorno de la remachadora.

En cualquier caso, el aceite presurizado fluirá ahora al lado de retorno de la remachadora, con el aceite del lado de tracción volviendo al depósito.

El movimiento hacia adelante del pistón o el bloque de la pinza expulsará el remache instalado del yunque.

Al soltar el gatillo o al alcanzar el valor de 'Presión Alta', la válvula solenoide se desenergizará y activará un tiempo de retorno prefijado. Es el tiempo que el motor de la bomba seguirá funcionando antes de entrar en modo reposo. Este tiempo puede configurarse entre 5 y 20 segundos, y permite asegurarse que el pistón de la remachadora siempre vuelva a la posición totalmente adelantada (consulte el manual de la bomba 07900-01030, páginas 10 y 13).

Cuando el pistón vuelve a la posición totalmente adelantada, la presión aumentará hasta el valor de baja presión prefijado: 200 bar. El motor de la bomba seguirá funcionando hasta que expire el tiempo de retorno. Transcurrido este periodo, el motor se detendrá automáticamente y la válvula entrará en modo reposo. A continuación, la válvula solenoide iniciará el ciclo automático para liberar el aceite presurizado al depósito desde ambos lados (tracción y retorno) de la remachadora.

Esto mantiene la remachadora en posición adelantada. En este punto el sistema hidráulico no tendrá presión.

La bomba hidráulica se activará automáticamente al presionar el gatillo de la herramienta.

### 3.2 PREPARACIÓN PARA EL USO

**PRECAUCIÓN: ES IMPORTANTE DISPONER DE LAS PRESIONES DE TRACCIÓN Y RETORNO ADECUADAS PARA EL CORRECTO FUNCIONAMIENTO DE LA REMACHADORA. EN CASO DE UTILIZAR PRESIONES INCORRECTAS, PUEDEN OCURRIR LESIONES CORPORALES O DAÑOS AL EQUIPO. LAS PRESIONES DE TRACCIÓN Y RETORNO SUMINISTRADAS POR LA BOMBA HIDRÁULICA NO DEBEN EXCEDER LAS INDICADAS EN LAS ESPECIFICACIONES DE LA REMACHADORA.**

**IMPORTANTE: ANTES DE PONER EN SERVICIO LA REMACHADORA Y EL KIT DE LA MANGUERA HIDRÁULICA:**

**ASEGÚRESE DE QUE LAS VÁLVULAS DE DESCOMPRESIÓN DE LA BOMBA SE HAN AJUSTADO SIGUIENDO LAS INSTRUCCIONES DE LA BOMBA Y RESPETANDO LAS PRESIONES MÁXIMAS ESPECIFICADA PARA LA REMACHADORA Y LAS MANGUERAS.**

**ASEGÚRESE DE CEBAR EL KIT DE LA MANGUERA CON FLUIDO HIDRÁULICO SIGUIENDO EL PROCEDIMIENTO QUE SE EXPLICA EN EL MANUAL DE INSTRUCCIONES DE LA BOMBA 07900-01030.**

- Compruebe que el suministro eléctrico de la bomba hidráulica está desconectado.
- Antes de enchufar el cable de control, conecte los acopladores rápidos de la manguera hidráulica de la remachadora directamente a la bomba. Las mangueras y el cable de control deben conectarse en este orden y desconectarse en orden contrario.
- Active el suministro eléctrico de la bomba hidráulica. Espere 5 segundos a que la bomba complete la secuencia de inicio, antes de pulsar el gatillo. Cuando todo esté listo, la pantalla LCD de la bomba mostrará 'AVDEL'.
- Durante la secuencia de inicio, el sistema de control de la bomba identifica cualquier movimiento del gatillo como un fallo potencial e impide el arranque del motor. En este caso, la pantalla LCD mostrará la frase 'BUTTON FAULT' (fallo de botón). Haga un reset desconectando el suministro eléctrico durante 10 segundos.
- Asegúrese de colocar la remachadora debajo de los depósitos de la bomba. Presione y suelte el gatillo de la remachadora varias veces hasta casi todo el recorrido para hacer circular el fluido hidráulico y expulsar el aire que pueda contener la herramienta.
- Observe el funcionamiento de la herramienta. Compruebe que no haya pérdidas de líquido y que, en el modo reposo, el pistón esté en la posición totalmente adelantada. La remachadora estará entonces cebada.
- Desconecte el suministro eléctrico de la bomba y a continuación desconecte la remachadora de la bomba en el orden contrario al descrito arriba.
- Ahora conecte la remachadora al kit de manguera cebado con líquido hidráulico y al cable de control eléctrico. Seguidamente conecte los acopladores rápidos del kit de manguera hidráulica y el cable de control eléctrico a la bomba.
- Acople el bloque de la boquilla en la herramienta siguiendo las instrucciones de la ficha técnica del bloque que utilice.
- Conecte el suministro eléctrico de la bomba hidráulica como se explica arriba.
- Pulse y suelte el gatillo de la remachadora varias veces hasta casi todo el recorrido para hacer circular el fluido hidráulico.
- La herramienta está ahora lista para usar.



## 4. INSTRUCCIONES DE FUNCIONAMIENTO

### 4.1 CÓMO INSTALAR UN REMACHE AVBOLT®

Para más información sobre este remache, consulte la ficha técnica del bloque de boquilla que figura en la tabla de la página 7. La información que se ofrece a continuación es meramente orientativa.

- Compruebe el trabajo y quite el exceso de hueco. (El hueco es el espacio entre los componentes de la junta. El hueco será excesivo si no sobresale suficiente extremo del vástago por el collar para que las mordazas del bloque de boquilla puedan agarrarlo).
- Coloque el remache Avbolt® en el orificio.
- Empuje el bloque de boquilla contra el vástago hasta que el yunque del bloque se detenga contra el collar. Mantenga la herramienta y el bloque de boquilla a ángulos rectos (90°) del trabajo.
- Presione el gatillo de la herramienta para empezar el ciclo de instalación.
- Cuando el movimiento hacia adelante de la boca del bloque de boquilla se detenga y se rompa el extremo del vástago, suelte el gatillo. La herramienta entrará en su recorrido de retorno y empujará el remache instalado. Al final del recorrido de retorno, las mordazas liberarán parcialmente el extremo del vástago suspendido que podrá empujarse a través de las mordazas con la siguiente instalación y expulsarse después por la parte trasera de la herramienta.
- Una vez instalado el remache, la herramienta y el bloque de boquilla están listos para la siguiente instalación.

### 4.2 CÓMO INSTALAR UN REMACHE AVDELOK®

Para más información sobre este remache, consulte la ficha técnica del bloque de boquilla que figura en la tabla de la página 7. La información que se ofrece a continuación es meramente orientativa.

- Compruebe el trabajo y quite el exceso de hueco. (El hueco es el espacio entre los componentes de la junta. El hueco será excesivo si no sobresale suficiente extremo del vástago por el collar para que las mordazas del bloque de boquilla puedan agarrarlo).
- Coloque el remache Avdelok® en el orificio.
- Deslice el collar Avdelok® sobre el vástago. (El extremo biselado del collar debe dirigirse hacia el bloque de boquilla y la herramienta.)
- Empuje el bloque de boquilla contra el vástago hasta que el yunque del bloque se detenga contra el collar. Mantenga la herramienta y el bloque de boquilla a ángulos rectos (90°) del trabajo.
- Presione el gatillo de la herramienta para empezar el ciclo de instalación.
- Cuando el movimiento hacia adelante de la boca del bloque de boquilla se detenga y se rompa el extremo del vástago, suelte el gatillo. La herramienta entrará en su recorrido de retorno y empujará el remache instalado. Al final del recorrido de retorno, las mordazas liberarán parcialmente el extremo del vástago suspendido que podrá empujarse a través de las mordazas con la siguiente instalación y expulsarse después por la parte trasera de la herramienta.
- Una vez instalado el remache, la herramienta y el bloque de boquilla están listos para la siguiente instalación.

**PRECAUCIÓN: NO INTENTE ROMPER EL EXTREMO DEL VÁSTAGO SIN INSTALAR EL COLLAR COMO SE INDICA, DE LO CONTRARIO HARÍA QUE LA PARTE NO PROTEGIDA DEL EXTREMO AVDELOK® O AVBOLT® SALIERA EXPULSADA DE LA BOQUILLA CON GRAN VELOCIDAD Y FUERZA.**

### 4.3 CÓMO INSTALAR UN REMACHE NEOBOLT®

Para más información sobre este remache, consulte la ficha técnica del bloque de boquilla que figura en la tabla de la página 7. La información que se ofrece a continuación es meramente orientativa.

- Inserte el vástago NeoBolt® en el orificio y empuje totalmente por las capas unidas.
- Inserte el collar NeoBolt® sobre el extremo del vástago (el extremo con brida del collar debe ser el más cercano a la pieza de trabajo) y gire en sentido de las manecillas del reloj para insertar el collar en la rosca del vástago al menos media vuelta.
- Empuje la pinza entera sobre el extremo de arranque del vástago hasta que cubra la ranura de tracción del vástago NeoBolt® y el extremo de tracción haga contacto con el tope de la pinza. La remachadora debe sujetarse en perpendicular (90°) a la superficie de la pieza de trabajo.
- Mantenga presionado el gatillo de la herramienta para empezar el ciclo de instalación. La pinza agarrará el extremo del vástago NeoBolt® y tirará de la boca contra el collar.
- Siga presionando el gatillo hasta que el collar esté totalmente alojado y el movimiento de la boca se detenga contra la brida del collar. A continuación, el pistón de la remachadora y la pinza volverán automáticamente para empujar el yunque del collar instalado y liberar el extremo de la pinza.
- Suelte el gatillo.
- Una vez que el remache instalado ha sido expulsado de la boca, la remachadora, el bloque de boquilla y la bomba están listos para la siguiente instalación.

**PRECAUCIÓN – No suelte el gatillo hasta completarse el ciclo de tracción de la remachadora y que la bomba y la herramienta hayan pasado automáticamente al ciclo de retorno. Si suelta el gatillo antes, el remache NeoBolt® se instalará incorrectamente y de manera parcial.**

## 5. MANTENIMIENTO DE LA HERRAMIENTA

**IMPORTANTE - LEA LAS INSTRUCCIONES DE SEGURIDAD DE LAS PÁGINAS 4 - 6. EL EMPLEADOR ES RESPONSABLE DE GARANTIZAR QUE LAS INSTRUCCIONES RELATIVAS AL MANTENIMIENTO DE LA HERRAMIENTA SE COMUNIQUEN AL PERSONAL CORRESPONDIENTE. EL OPERADOR NO DEBERÁ PARTICIPAR EN EL MANTENIMIENTO NI LA REPARACIÓN DE LA HERRAMIENTA, A MENOS QUE HAYA RECIBIDO LA FORMACIÓN ADECUADA. LA HERRAMIENTA DEBERÁ REVISARSE PERIÓDICAMENTE PARA DETECTAR DAÑOS Y MAL FUNCIONAMIENTO.**

### 5.1 MANTENIMIENTO DIARIO

- Compruebe que la remachadora, las mangueras y los acopladores rápidos no presentan fugas de aceite.
- Cambie las mangueras y los acoplamientos desgastados o dañados.
- Compruebe que la carrera de la herramienta respete la especificación.
- Compruebe el tapón del extremo esté correcta y fuertemente instalado en el cuerpo de la AV®5.
- Compruebe que el deflector del vástago está instalado.
- Compruebe que la válvula de descompresión tracción / avance de la bomba funciona correctamente.
- Compruebe que el bloque de boquilla sea el correcto para el remache que va a colocar y que esté montado correctamente.
- Compruebe que la boca no esté desgastada, lo indica la presencia de estrías en el collar instalado. También puede confirmarlo mirando la imagen del remache instalado en el catálogo. Un desgaste excesivo puede causar la rotura del yunque.

### 5.2 MANTENIMIENTO SEMANAL

- Desmantele y limpie el bloque de boquilla, sobre todo las mordazas, como se describe en la ficha técnica del bloque de boquilla correspondiente.
- Compruebe que la remachadora, las mangueras y los acopladores rápidos no presentan fugas de aceite.

**PRECAUCIÓN: jamás use disolventes u otros productos químicos fuertes para limpiar las piezas no metálicas de la herramienta. Estos productos químicos pueden debilitar los materiales con los que están fabricadas estas piezas.**

### 5.3 REVISIÓN ANUAL O CADA 250.000 CICLOS

- Una vez al año o cada 250.000 ciclos (lo que ocurra antes), la herramienta debe desmontarse totalmente y las piezas que estén desgastadas o dañadas, sustituirse o tratarse como se recomiende. Antes del montaje, todas las juntas tóricas, anillos de apoyo y juntas deben renovarse y lubricarse con grasa MolyKote® 111.

### 5.4 KIT DE MANTENIMIENTO

Para una puesta a punto completa, dispone del siguiente kit de mantenimiento:

KIT DE MANTENIMIENTO: 73425-99990			
REFERENCIA	DESCRIPCIÓN	REFERENCIA	DESCRIPCIÓN
07005-10118	Acoplador rápido – macho	07900-01103	Manguito guía del pistón AV®5
07005-10120	Acoplador rápido – hembra	07900-01104	Herramienta de montaje de tapón final AV®5
07900-00043	AV®5 Cápsula del pistón – Delantera AV®5	07992-00020	Grasa: MolyLithium EP3753
07900-01101	Cápsula del pistón – Trasera	07900-00755	Grasa: Molykote 111
07900-01102	Vástago guía del prensaestopa delantero AV®5	07900-00756	Fijador de roscas Loctite 243
		07002-00478	M4 X 20 tornillos Allen HD

### 5.5 HERRAMIENTAS DE MANTENIMIENTO

También se necesitan las siguientes herramientas estándar:

- Llave allen: 2,0 / 3,0 mm
- Llave plana de extremo abierto: 12 / 14 / 18 / 24 / 45 mm A/F
- Cinta PTFE: 10 mm
- Tornillo de banco con protecciones de mordaza – 150 mm

### 5.6 ACEITE HIDRÁULICO

**PRECAUCIÓN– Use solo aceite hidráulico Enerpac® HF - El uso de cualquier otro aceite puede causar un mal funcionamiento de la remachadora y la bomba y anulará la garantía de la remachadora.**

Puede encargar aceite hidráulico con los siguientes números de referencia.

ACEITE HIDRÁULICO			
REFERENCIA	07992-00081	07992-00082	07992-00083
Número de referencia Enerpac®	HF-95X	HF-95Y	HF-95T
Volumen	1 litro	5 litros	20 litros
Viscosidad	32 mm <sup>2</sup> /s	32 mm <sup>2</sup> /s	32 mm <sup>2</sup> /s

### 5.7 INSTRUCCIONES DE DESMONTAJE

**IMPORTANTE: ASEGÚRESE DE DESCONECTAR EL SUMINISTRO ELÉCTRICO DE LA BOMBA HIDRÁULICA ANTES DE EXTRAER EL BLOQUE DE BOQUILLA O DE DESMONTAR LA REMACHADORA.**

**Antes del desmontaje:**

- Desconecte los acopladores rápidos **9** y **10** y el cable de control eléctrico **14** entre la remachadora y el bloque de la manguera hidráulica.
- Extraiga el bloque de la boquilla de la remachadora siguiendo las instrucciones de la ficha técnica del bloque que utilice.
- Las sustancias potencialmente peligrosas que pudieran haberse depositado en la máquina después de los procesos de trabajo deben ser eliminadas antes de efectuar el mantenimiento.

Para un mantenimiento completo de la herramienta, le aconsejamos desmontarla en el orden que se muestra en las páginas **14** a **17**. Después de desmantelar la herramienta, le recomendamos que cambie todas las juntas.

**Bloque del cilindro del pistón:**

- Extraiga el deflector **3** del tapón **15**.
- Fije la empuñadura de la herramienta en un torno de banco con mordazas suaves de manera que la punta de la herramienta se dirija hacia abajo. Inserte las chavetas de la \*herramienta de montaje del tapón en los tres agujeros del tapón **15**.
- Con una llave A/F de 45 mm, afloje y extraiga el tapón **15** del cuerpo **1**.
- Con un destornillador pequeño y plano, extraiga la junta tórica **28** del tapón **15** y deséchela.
- Conecte el \*acoplador rápido macho de repuesto al acoplador rápido hembra **10** en la manguera hidráulica - lado de retorno **24**. Al hacerlo se liberará la presión que pueda haber en el lado de retorno del pistón **18** y será más fácil extraer el prensaestopa de sello trasero **16**. Nota: Saldrá aceite hidráulico del nuevo acoplador rápido macho.
- Inserte tres tornillos M4 en el prensaestopa de sello trasero **16** y utilícelos para tirar la pieza del eje trasero del pistón **18** y sacarla del cuerpo **1**.
- Con un destornillador plano pequeño o herramienta similar, extraiga la junta tórica **31** y el anillo de apoyo espiral **30** de la ranura externa del prensaestopa de sello trasero **16**, y deséchelos. Cuando extraiga las juntas, tenga cuidado de no dañar la superficie del prensaestopa de sello trasero con el destornillador.

- Extraiga la junta del vástago **29** y la junta de fricción **33** de las ranuras internas del prensaestopa de sello delantero **16** y deséchelas. Cuando extraiga las juntas, tenga cuidado de no dañar la superficie del prensaestopa de sello trasero con el destornillador.
- Extraiga el anillo del cojinete trasero **32** y compruebe que la pieza no esté dañada ni desgastada. Deséchela si es necesario.
- Extraiga la remachadora del torno de banco y vacíe el aceite hidráulico de la parte trasera de la herramienta. Separe el nuevo \*acoplador rápido macho del acoplador rápido hembra **10** en la manguera hidráulica, lado de retorno **24**.

Todos los números en negrita se refieren al bloque general y a la lista de piezas de las páginas 18, 19 y 20.

- \* Kit de mantenimiento de la página 13
- Conecte el nuevo \*acoplador rápido hembra al acoplador rápido macho **9** en la manguera hidráulica, lado de tracción **25**. Al hacerlo se liberará la presión que pueda haber en el lado de tracción del pistón **18** y será más fácil extraer el pistón. Nota: Saldrá aceite hidráulico del nuevo acoplador rápido hembra.
- Enrosque el \*Cápsula del pistón delantera en la parte frontal del pistón **18**.
- Coloque el cuerpo **1** en un banco con la punta para arriba. A continuación, utilizando una maza blanda, dé golpecitos al pistón **18** hacia la parte trasera del cuerpo y fuera del extremo trasero, teniendo cuidado de no dañar el agujero del cuerpo.
- Tenga en cuenta que, al sacar el pistón **18**, el aceite del lado de tracción del pistón **18** saldrá de la parte delantera y trasera del cuerpo **1**.
- Al extraer el pistón **18**, el prensaestopa de sello delantero **17** puede quedar retenido en el eje del pistón. Si esto ocurre, afloje la \*cápsula del pistón delantera y tire del prensaestopa de sello delantero para extraerla del pistón.
- Con un destornillador pequeño plano, extraiga la junta del pistón **35** y los dos anillos antiextrusión **34** de la ranura externa del pistón **18** y deséchelos. Cuando extraiga las juntas, tenga cuidado de no dañar la superficie del pistón con el destornillador.
- Si el prensaestopa de sello delantero **17** sigue retenido en el cuerpo **1**. Coloque el cuerpo en un banco con la punta para arriba y a continuación empuje el prensaestopa de sello delantero desde delante hasta liberarlo del hueco del cuerpo. Ahora puede extraer el prensaestopa de sello delantero del extremo trasero del cuerpo. Al hacerlo, tenga cuidado de no dañar el orificio del cuerpo.
- Con un destornillador plano pequeño, extraiga la junta tórica **38** y el anillo de apoyo espiral **39** de la ranura externa del prensaestopa de sello delantero **17** y deséchelos. Cuando extraiga las juntas, tenga cuidado de no dañar la superficie del prensaestopa de sello delantero con el destornillador.
- Extraiga la junta del vástago **36** y la junta de fricción **40** de las ranuras internas del prensaestopa de sello delantero **17** y deséchelas. Cuando extraiga las juntas, tenga cuidado de no dañar la superficie del prensaestopa de sello delantero con el destornillador.
- Extraiga el anillo del cojinete delantero **37** y compruebe que la pieza no esté dañada ni desgastada. Deséchela si es necesario.
- Quite el nuevo \*acoplador rápido hembra del acoplador rápido macho **9** en la manguera hidráulica, lado de tracción **25**.

**Realice el montaje en orden inverso, teniendo en cuenta las siguientes indicaciones:**

- Limpie todos los componentes antes del montaje.
- Para facilitar el montaje de las juntas, aplique una ligera capa de grasa Molykote® 111 en todas las juntas, ranuras de juntas, anillos de apoyo y herramientas de montaje.
- Deslice la junta tórica **38** sobre el prensaestopa de sello delantero **17** y dentro de la ranura externa. Inserte el anillo de apoyo espiral **39** en la misma ranura, delante de la junta tórica instalada. Para ver la orientación correcta de la junta tórica y del anillo de apoyo espiral, consulte Bloque general y lista de piezas.
- Presione el anillo del cojinete delantero **36** en el hueco interno del prensaestopa de sello delantero **17** y después instale la junta del vástago **36** detrás del anillo de cojinete delantero. Instale la junta de fricción **40** en el hueco delantero del prensaestopa de sello delantero. Consulte el apartado relativo al Bloque general para asegurarse de la correcta orientación de la junta del vástago y de la junta de fricción.

- Con grasa Molykote® 111, lubrique la superficie y el borde delantero del orificio del cuerpo **2** en el que va a instalar el prensaestopa de sello delantero **17**.
- Lubrique la espiga de la herramienta en el vástago guía del prensaestopa de sello delantero y a continuación inserte el prensaestopa de sello delantero **17**, con el extremo de la junta del vástago **36** totalmente sobre la espiga. Inserte el \*vástago guía del prensaestopa delantero en la parte trasera del cuerpo **1** y empuje el prensaestopa de sello delantero totalmente en el orificio del cuerpo. Para insertar el prensaestopa de sello delantero en el cuerpo se necesita una fuerza razonable, por ello es posible que necesite una prensa o un torno de mesa. Extraiga un \*vástago guía del prensaestopa delantero mientras se asegura que el prensaestopa de sello delantero.
- Con grasa Molykote® 111, lubrique la junta del sello y el diámetro exterior más grande del pistón **18**. Deslice la junta del pistón **35** sobre la parte delantera del diámetro más grande del pistón y dentro de la ranura de la junta. Instale dos anillos antiextrusión **34** en la ranura de la junta del pistón, uno a cada lado del sello del pistón.
- Atornille la \*cápsula del pistón delantera en la parte frontal del pistón **18**. Con Molykote® 111, lubrique el \*cápsula del pistón delantera, el eje del pistón y la junta del pistón **35**.

Todos los números en negrita se refieren al bloque general y a la lista de piezas de las páginas 18, 19 y 20.

\* Kit de mantenimiento de la página 13

- Atornille el \*manguito guía del pistón totalmente en la parte trasera del cuerpo **1**. Con grasa Molykote® 111, lubrique los orificios en el cuerpo y el manguito guía del pistón\*.
- Conecte el nuevo \*acoplador rápido hembra al acoplador rápido macho **9** en la manguera hidráulica, lado de tracción **25**. De esta forma permitirá que se libere el aire del lado de tracción del pistón **18** al insertar el pistón.
- Inserte el pistón montado **18** en la parte trasera del cuerpo **1** y a través del prensaestopa de sello delantero ya montado **17**. Empuje el pistón a la posición totalmente adelantada hasta que se detenga contra el prensaestopa de sello delantero. Saldrá aceite hidráulico de la manguera hidráulica, lado de tracción **25**.
- Quite el nuevo \*acoplador rápido hembra del acoplador rápido macho **9** en la manguera hidráulica, lado de tracción **25**. Extraiga el \*manguito guía del pistón de la parte trasera del cuerpo **1**.
- Deslice la junta tórica **31** sobre el prensaestopa de sello trasero **16** y dentro de la ranura externa. Inserte el anillo de apoyo espiral **30** en la misma ranura, detrás de la junta tórica instalada. Para ver la orientación correcta de la junta tórica y del anillo de apoyo espiral, consulte Bloque general y lista de piezas.
- Presione el anillo de cojinete trasero **32** en el hueco interno del prensaestopa de sello trasero **16** y después instale la junta del vástago **29** detrás del anillo de cojinete trasero. Instale la junta de fricción **33** en el hueco trasero del prensaestopa de sello trasero. Consulte el apartado relativo al Bloque general para asegurarse de la correcta orientación de la junta del vástago y de la junta de fricción.
- Fije la empuñadura de la herramienta en un torno de banco con mordazas suaves de manera que la punta de la herramienta se dirija hacia abajo.
- Con grasa Molykote® 111, lubrique la superficie y el borde delantero del orificio del cuerpo **1** en el que va a instalar el prensaestopa de sello delantero **16**. Lubrique el eje del pistón trasero **18** con grasa Molykote® 111.
- Inserte la \*cápsula del pistón trasera en el eje del pistón trasero **18** y lubrique con grasa Molykote® 111.
- Llene la parte trasera del cuerpo **1** con el aceite hidráulico Enerpac® HF. El nivel de aceite debe quedar justo encima del orificio de entrada trasera del cuerpo.
- Conecte el nuevo \*acoplador rápido macho al acoplador rápido hembra **10** en la manguera hidráulica– lado de retorno **24**. De esta forma permitirá que se libere el aire del lado de retorno del pistón **18** al insertar el prensaestopa de sello trasero **16**. Nota: Puede que salga aceite hidráulico del nuevo acoplador rápido hembra.
- Coloque el prensaestopa de sello trasero **16** sobre la cápsula del pistón trasera\*. A continuación empuje el prensaestopa de sello trasero sobre el eje del pistón **18** y dentro de la parte trasera del cuerpo **1**. Empuje el prensaestopa de sello trasero en el cuerpo hasta dejar expuestas unas cuantas roscas internas en la parte trasera del cuerpo. Tenga cuidado de no dañar la junta tórica **31** y el anillo de apoyo espiral **30** de las roscas al insertar el prensaestopa de sello trasero.
- Lubrique la rosca interna del cuerpo **1** y la rosca externa del tapón **15** con grasa MolyLithium.

- Atornille el tapón **15** totalmente en la parte trasera del cuerpo **1** con la \*herramienta de montaje de tapones. Al hacerlo, el prensaestopa de sello trasero **16** quedará presionado en su posición dentro del cuerpo **1** y saldrá una pequeña cantidad de aceite de la manguera hidráulica, lado de retorno **24**.
- Extraiga el nuevo \*acoplador rápido macho del acoplador rápido hembra **11** en la manguera hidráulica, lado de retorno **24**.
- Empuje el deflector **3** sobre el tapón **15**.
- Cebe la remachadora como se describe en la sección Preparación para el uso de la página **10**.

#### Conjunto de la manguera:

- Con una llave Allen de 3,0 mm, extraiga los dos tornillos **8** de la pinza de la manguera **13**. Extraiga la pinza de la manguera y el inserto de la pinza **26** del manguito protector **27** y de las mangueras hidráulicas, lado retorno **24** y lado tracción **25**.
- Con un pequeño destornillador plano, extraiga la empuñadura Gator **7** de las molduras de la empuñadura **11** y **12**. Tire de la empuñadura Gator sobre el manguito protector **27**, mangueras hidráulicas, lado de retorno **24** y de tracción **25**, y extráigalo.
- Con una llave allen de 3,0 mm (y una llave de 7,0 mm en la tuerca inferior), desenrosque los cuatro tornillos **20** que unen las molduras de la empuñadura **11** y **12** y extráigalas.

Todos los números en negrita se refieren al bloque general y a la lista de piezas de las páginas 18, 19 y 20.

\* Kit de mantenimiento de la página 13

- El gatillo **6** está soldado al cable de control. Retire este bloque de las empuñaduras **11** y **12**. El prensaestopa de cable **22** forma parte de este bloque.
- Corte el sujetacables **43** y vuelva a deslizar el manguito protector **27** para exponer los racores de las mangueras hidráulicas **24** y **25**. Las mangueras hidráulicas pueden separarse del cuerpo **1** con las llaves de 12 mm y 14 mm.
- Los acopladores rápidos (macho **9** y hembra **10**) pueden extraerse de las mangueras hidráulicas **24** y **25**, usando llaves de 18 mm y de 24 mm.

#### Realice el montaje en orden inverso, teniendo en cuenta las siguientes indicaciones:

- Antes del montaje, limpie todas las roscas de los acopladores rápidos (macho **9** y hembra **10**) y de las mangueras hidráulicas, lados de retorno **24** y de tracción **25**. A continuación aplique dos o tres capas de cinta de PTFE de 10 mm en las roscas macho de las dos mangueras hidráulicas.
- Una vez hecho el montaje, cebe la herramienta como se indica en las instrucciones de la página 10.

#### 5.8 PROTECCIÓN DEL MEDIO AMBIENTE

- Compruebe la conformidad con las normas de eliminación aplicables. Para no poner en peligro al personal ni al medio ambiente, deseche todos los productos de desecho en una instalación o punto limpio aprobado.

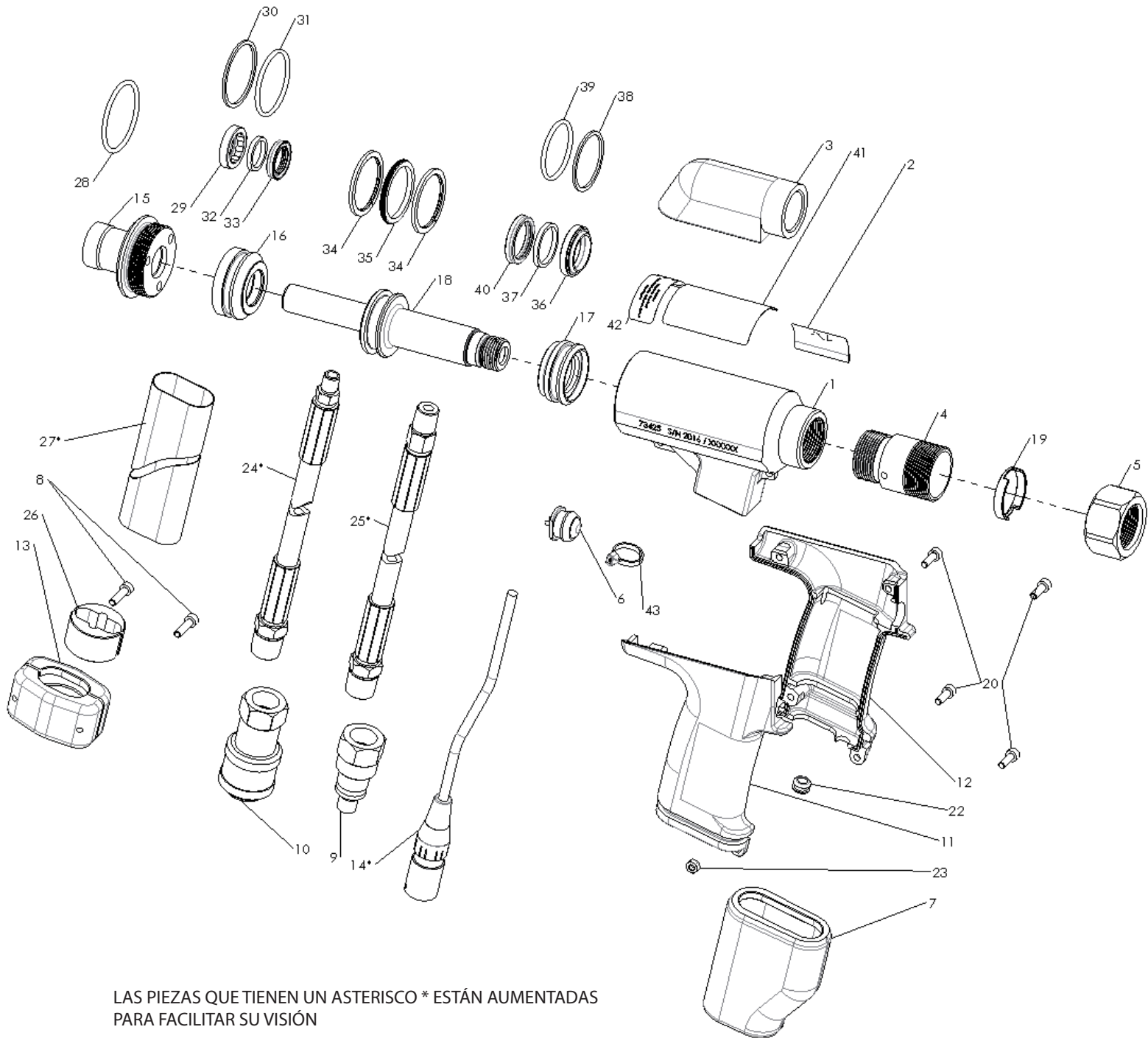
Todos los números en **negrita** se refieren al bloque general y a la lista de piezas de las páginas 18, 19 y 20.

\* Kit de mantenimiento de la página 13.

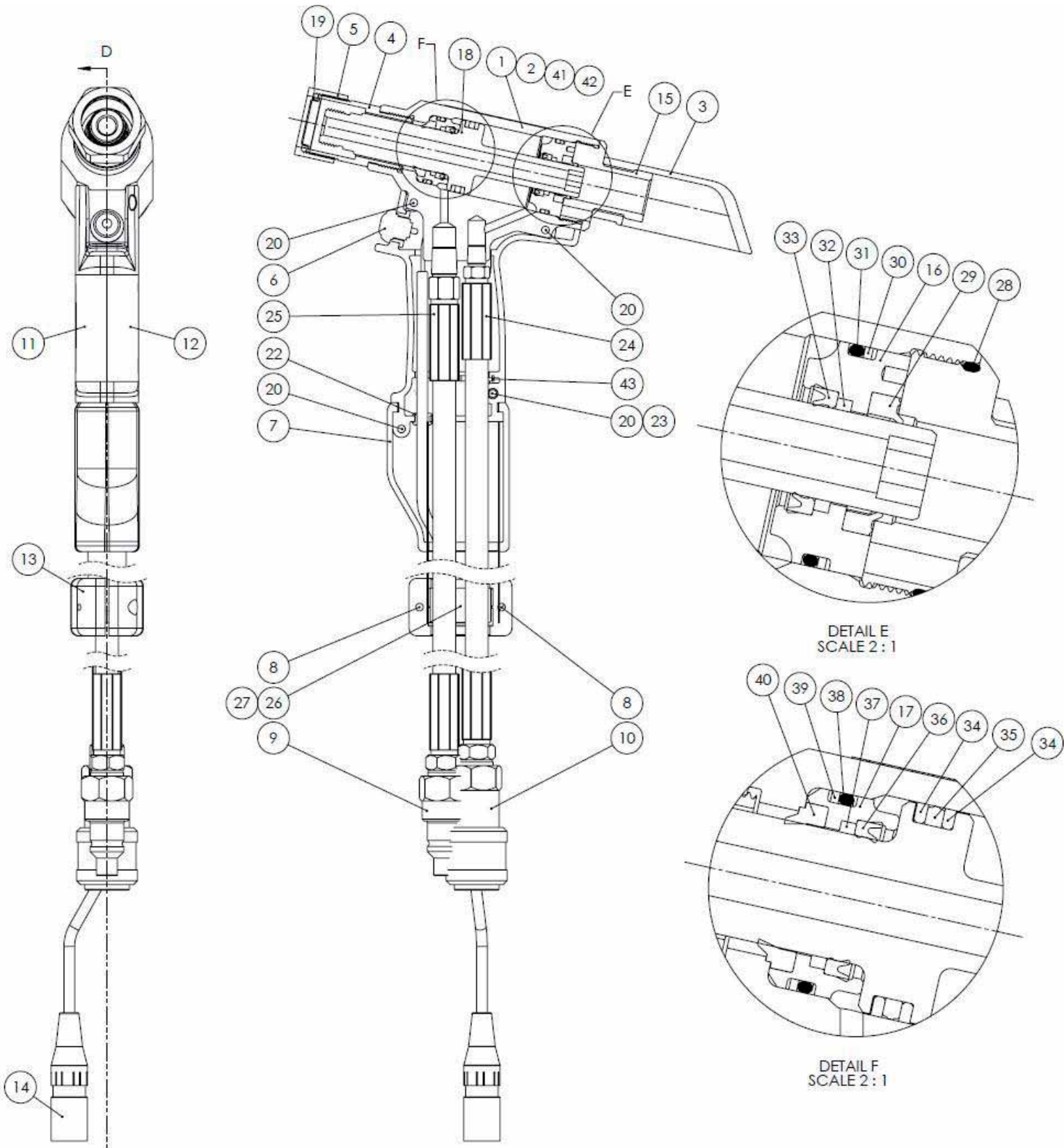


## 6. BLOQUE GENERAL Y LISTA DE PIEZAS

### 6.1 BLOQUE GENERAL



LAS PIEZAS QUE TIENEN UN ASTERISCO \* ESTÁN AUMENTADAS PARA FACILITAR SU VISIÓN



## 6.2 LISTA DE PIEZAS

LISTA DE PIEZAS 73425-02000			
ARTÍCULO N.º	REFERENCIA	DESCRIPCIÓN	Cant.
1	73425-02003	Cilindro AV®5	1
2	73425-02014	Etiqueta AV®5	1
3	73200-02030	Deflector	1
4	73200-02041	Adaptador	1
5	73200-02042	Tuerca de sujeción	1
6	73425-02013	Bloque de gatillo	1
7	73430-02020	Empuñadura Gator	1
8	07001-00686	Tornillo allen M4	2
9	07005-10118	Acoplador rápido: macho	1
10	07005-10120	Acoplador rápido: hembra	1
11	73425-02009	Moldura de la empuñadura: izquierda	1
12	73425-02015	Moldura de la empuñadura: derecha	1
13	73430-02023	Pinza de manguera	1
14	07007-02105	Cable de control	1
15	73425-02007	Tapón	1
16	73425-02006	Prensaestopa de sello trasero	1
17	73425-02005	Prensaestopa de sello delantero	1
18	73425-02011	Cilindro del pistón	1
19	73200-02043	Anillo adaptador	1
20	07001-00688	Tornillo allen M4	4
22	07007-02140	Arandela de goma	1
23	07002-00134	Tuerca M4	1
24	07005-10119	Manguera hidráulica: retorno	1
25	07005-10117	Manguera hidráulica: tracción	1
26	73430-02024	Inserto de pinza	1
27	07005-10121	Manguito de protección	0,4 m
28	07003-00308	Junta tórica	1
29	07003-00442	Junta de fricción	1
30	07003-00527	Anillo de apoyo espiral	1
31	07003-00526	Junta tórica	1
32	73430-02010	Anillo de cojinete trasero	1
33	07003-00441	Junta del vástago	1
34	07003-00521	Anillo antiextrusión	2
35	07003-00520	Junta de pistón	1
36	07003-00523	Junta del vástago	1
37	73200-03104	Anillo de cojinete	1
38	07003-00524	Junta tórica	1
39	07003-00525	Anillo de apoyo espiral	1
40	07003-00522	Junta de fricción	1
41	73425-02016	Etiqueta de seguridad	1
42	07007-01504	Etiqueta CE	1
43	07007-02032	Sujetacables	1

## 7. DATOS DE SEGURIDAD

### 7.1 ACEITE HIDRÁULICO Enerpac® HF - DATOS DE SEGURIDAD

#### PRIMEROS AUXILIOS

##### PIEL:

Es probable que no cause daño a la piel por contacto breve u ocasional, pero el contacto prolongado o la exposición puede causar dermatitis. Lávese bien la piel con agua y jabón tan pronto como pueda. Quítese la ropa muy contaminada y lávese la piel.

##### BOCA:

Es probable que no cause daño si se traba una pequeña dosis, pero cantidades mayores pueden causar náuseas o diarrea. En caso de contaminación de la boca, enjuáguese bien con agua. Salvo que se trate de un acto intencional, es improbable que se ingieran grandes cantidades de producto. En su caso, no produzca el vómito y consulte un médico. Lleve a la persona al centro de asistencia médica más próximo.

##### OJOS:

Si el producto entra accidentalmente en contacto con los ojos, es probable que cause solo picor o rojeces pasajeras. Lávese los ojos con abundante agua, manteniendo los ojos abiertos. Consulte al médico si las molestias o las rojeces aumentan o persisten.

##### CONSEJO MÉDICO:

En general, el tratamiento debe ser sintomático y dirigido a aliviar los efectos.

##### Nota: Trabajos de alta presión:

Las inyecciones a través de la piel, resultantes del contacto con el producto a alta presión, constituyen una emergencia médica importante. Las lesiones pueden no parecer graves al principio, pero en pocas horas el tejido se inflama, se decolora y resulta extremadamente doloroso, con una extensa necrosis subcutánea.

Debe realizarse una exploración quirúrgica lo antes posible. Es necesario un desbridamiento exhaustivo y extenso de la herida y del tejido subyacente, para minimizar la pérdida de tejido y prevenir o limitar los daños permanentes. Tenga en cuenta que la alta presión puede forzar el producto a distancias considerables a lo largo de los planos de los tejidos.

#### ELIMINACIÓN

Elimine todos los derrames con material absorbente inerte. Ventile la zona del derrame. Coloque los materiales contaminados en un contenedor desechable y elimínelos respetando las normas locales.

#### INCENDIO

PUNTO DE INFLAMACIÓN: 200 °C.

Extinguir con espuma seca química o dióxido de carbono. No acceda a lugares estrechos sin usar un aparato respiratorio aislante.

#### MANEJO

Use una crema barrera o guantes resistentes al aceite.

#### ALMACENAMIENTO

En lugar protegido, respetando las normas locales sobre materiales inflamables.

### 7.2 GRASA MOLYLITHIUM EP 3753: DATOS DE SEGURIDAD

Puede encargar este lubricante por separado. Encontrará el número de referencia en la página 12 del Kit de mantenimiento.

#### PRIMEROS AUXILIOS

##### PIEL:

Como la grasa es totalmente resistente al agua, la mejor forma de eliminarla es con un limpiador emulsionante para la piel.

##### INGESTIÓN:

Asegúrese de que la persona beba 30 ml de leche de magnesia, preferiblemente en una taza de leche.

##### OJOS:

Irritante, pero no perjudicial. Enjuague con agua y consulte a un médico.

#### INCENDIO

PUNTO DE INFLAMACIÓN: Superior a 220 °C.

No clasificado como inflamable.

Medios de extinción adecuados: CO<sub>2</sub>, halón o pulverizador de agua, si los medios son utilizados por un operario con experiencia.

#### MEDIOAMBIENTE

Recoja el material para incinerarlo o eliminarlo en un lugar autorizado.

#### MANEJO

Use una crema barrera o guantes resistentes al aceite

**ALMACENAMIENTO**

En un lugar alejado del calor y de agentes oxidantes.

**7.3 DATOS DE SEGURIDAD - GRASA MOLYKOTE® 111**

Puede encargar este lubricante por separado. Encontrará el número de referencia en la página 12 del Kit de mantenimiento.

**PRIMEROS AUXILIOS**

PIEL:

No se deberían necesitar primeros auxilios.

INGESTIÓN:

No se deberían necesitar primeros auxilios.

OJOS:

No se deberían necesitar primeros auxilios.

INHALACIÓN:

No se deberían necesitar primeros auxilios.

**INCENDIO**

PUNTO DE INFLAMACIÓN: Superior a 101,1 °C (copa cerrada)

Propiedades explosivas: No

Medios de extinción adecuados: Espuma de dióxido de carbono, polvo seco o agua fina pulverizada. Se puede utilizar agua para enfriar los recipientes expuestos al fuego.

**MEDIOAMBIENTE**

No se han previsto efectos perjudiciales.

**MANEJO**

Se recomienda una ventilación general. Evite el contacto con los ojos.

**ALMACENAMIENTO**

No se debe almacenar con agentes oxidantes. Mantenga el recipiente cerrado y almacénelo alejado de agua y humedad.

## 8. DIAGNÓSTICO DE ERRORES

SÍNTOMA	POSIBLE CAUSA	SOLUCIÓN	REF. PÁG.
La remachadora no funciona	Bomba no operativa	Compruebe el suministro eléctrico de la bomba y consulte su manual de instrucciones	
	Acopladores rápidos <b>9</b> y <b>10</b> defectuosos	Cambie los acopladores rápidos	19
	El cable de control del gatillo <b>14</b> no está correctamente conectado	Compruebe que el cable de control está correctamente conectado a la bomba y a la remachadora	10
	Gatillo <b>6</b> o cable de control <b>14</b> dañados	Cambie el gatillo y/o el cable de control	19
El gatillo <b>7</b> no funciona	Bomba en modo local	Consulte el manual de instrucciones de la bomba	
	Gatillo <b>6</b> , cable de control <b>14</b> o conector dañados	Cambie el gatillo y/o el cable de control	19
La bomba funciona, pero la remachadora no	Mangueras hidráulicas no conectadas	Compruebe que las conexiones de la bomba y la remachadora son correctas	10
	Bajo nivel de aceite	Asegúrese de que la remachadora esté llena de aceite y correctamente cebada. Consulte el manual de instrucciones de la bomba	10
	La remachadora pierde aceite por el lado externo	Revise la remachadora y cambie los componentes desgastados o dañados	14 - 17
	El bloque de manguera pierde aceite por el lado externo	Revise el bloque de manguera: asegúrese de que las conexiones estén prietas y/o cambie los conectores de manguera dañados	19
	La bomba pierde aceite por dentro o por fuera	Consulte el manual de instrucciones de la bomba	
La remachadora funciona erráticamente	El suministro de presión hidráulica es bajo o errático	Consulte el manual de instrucciones de la bomba	
	Las juntas hidráulicas de la remachadora están gastadas o dañadas	Revise la remachadora y cambie las juntas desgastadas o dañadas	14 - 17
	Las superficies de sellado hidráulico de la remachadora están gastadas o dañadas	Revise la remachadora y cambie los componentes desgastados o dañados	14 - 17
	La bomba pierde aceite por dentro o por fuera	Consulte el manual de instrucciones de la bomba	
La bomba suministra toda la presión, pero el vástago no se rompe	La carga de rotura puede ser mayor que la capacidad de la remachadora a alta presión	Consulte las especificaciones de la remachadora	7
	Bloqueado el flujo a la remachadora	Compruebe que los acopladores rápidos <b>9</b> y <b>10</b> estén bien conectados	10
	Ajuste muy bajo de la válvula de descompresión de la bomba	Cambie los ajustes de la válvula de descompresión. Consulte el manual de instrucciones de la bomba	
	Ranuras de tracción del vástago del remache peladas	Vea el síntoma en la página 24	11
	Mal funcionamiento de la herramienta		11

SÍNTOMA	POSIBLE CAUSA	SOLUCIÓN	REF. PÁG.
El pistón <b>1</b> de la remachadora no retorna	Flujo de retorno restringido o bloqueado	Compruebe que los acopladores rápidos <b>9</b> y <b>10</b> estén bien conectados y no presenten fallos	10
	Mangueras hidráulicas no conectadas	Compruebe que las conexiones de la bomba y la remachadora son correctas	10
	Fallo de la válvula de la bomba	Consulte el manual de instrucciones de la bomba	
La remachadora no expulsa el collar del yunque	El tiempo de retorno de la bomba no se ha ajustado correctamente: ajuste demasiado bajo	Ajuste el tiempo de retorno al valor recomendado. Consulte el manual de instrucciones de la bomba	
	Ajuste muy bajo de la válvula de descompresión de retorno de la bomba	Cambie los ajustes de la válvula de descompresión de retorno. Consulte el manual de instrucciones de la bomba	
	El suministro de presión hidráulica es bajo o errático	Consulte el manual de instrucciones de la bomba	
	Las juntas hidráulicas de la remachadora están gastadas o dañadas	Revise la remachadora y cambie las juntas desgastadas o dañadas	14 - 17
	Las superficies de sellado hidráulico de la remachadora están gastadas o dañadas	Revise la remachadora y cambie los componentes desgastados o dañados	14 - 17
	La bomba pierde aceite por dentro o por fuera	Consulte el manual de instrucciones de la bomba	
Ranuras de tracción del vástago del remache peladas durante la instalación	El operario no empuja la punta completamente sobre el vástago del remache antes de accionar la herramienta	Instruya al operario el método de instalación correcto	11
	Longitud del remache / longitud de la pinza incorrecta	Utilice el remache correcto	
	Segmentos de la mordaza desgastados o dañados	Compruebe y sustituya el conjunto de la boca. Consulte la ficha técnica del bloque de boquilla	11
	Residuos en los segmentos de las mordazas y/o en las ranuras del vástago	Limpie los segmentos de las mordazas, consulte la ficha técnica del bloque de boquilla	
	Excesiva separación entre hojas	Cierre la separación entre las hojas	11
El collar Avdelok® o Avbolt® no está totalmente alojado	Mal funcionamiento de la herramienta		11
	Orificio del yunque desgastado	Compruebe el yunque y sustitúyalo. Consulte la ficha técnica del bloque de boquilla	
El vástago no se libera del bloque de boquilla	Montaje incorrecto del bloque de boquilla	Consulte la ficha técnica del bloque de boquilla	
La remachadora y el aceite hidráulico se calientan	La manguera hidráulica está obstruida	Compruebe los acopladores rápidos hidráulicos <b>9</b> y <b>10</b> y cámbielos si es necesario	19
	Alta temperatura ambiente		
Acopladores rápidos hidráulicos <b>9</b> y <b>10</b> , y fuga de aceite	Junta tórica gastada en el cuerpo del acoplador rápido macho <b>9</b>	Cambie la junta tórica y el anillo de apoyo del acoplador rápido <b>9</b>	19

Todos los números en **negrita** se refieren al bloque general y a la lista de piezas de las páginas 18, 19 y 20.

\* Kit de mantenimiento de la página 13.



## 9. DECLARACIÓN DE CONFORMIDAD CE

Nosotros, **Stanley Engineered Fastening, Stanley House, Works Road, Letchworth Garden City, Hertfordshire, SG6 1JY, REINO UNIDO**, declaramos bajo nuestra exclusiva responsabilidad que el producto:

**Descripción:** HERRAMIENTA HIDRONEUMÁTICA

**Modelo:** HERRAMIENTA ESTRUCTURAL AV® 5 – 73425--02000

al que se refiere esta declaración es conforme a las siguientes normas armonizadas:

ISO 12100:2010	EN ISO 3744:2010
EN ISO 11202:2010	EN ISO 11148-1:2011
EN ISO 4413:2010	EN ISO 20643:2008+A1:2012
EN ISO 4414:2010	ES100118-rev 17:2017
EN ISO 28927-5:2009+A1:2015	

La documentación técnica ha sido elaborada de conformidad con el anexo 1, sección 1.7.4.1, de la siguiente Directiva: **Directiva de máquinas 2006/42/CE** (Instrumentos legislativos 2008, n.º 1597 - Reglamento sobre suministro de máquinas [seguridad]).

El abajo firmante formula la presente declaración en nombre y representación de STANLEY Engineered Fastening



**A. K. Seewraj**

**Director de Ingeniería, Reino Unido**

Avdel UK Limited, Stanley House, Works Road, Letchworth Garden City, Hertfordshire, SG6 1JY REINO UNIDO

**Lugar de edición:** Letchworth Garden City, UK

**Fecha de edición:** 24-08-2021

El abajo firmante es responsable de la elaboración de la documentación técnica de los productos que se venden en la Unión Europea y expide la presente declaración en nombre y representación de Stanley Engineered Fastening.

**Matthias Appel**

**Jefe de equipo de documentación técnica**

Stanley Engineered Fastening, Tucker GmbH, Max-Eyth-Str.1, 35394 Gießen, Alemania



Esta máquina es conforme a la  
Directiva de máquinas 2006/42/CE

**STANLEY**  
Engineered Fastening

## 10. DECLARACIÓN DE CONFORMIDAD DEL REINO UNIDO

Nosotros, **Stanley Engineered Fastening, Stanley House, Works Road, Letchworth Garden City, Hertfordshire, SG6 1JY, REINO UNIDO**, declaramos bajo nuestra exclusiva responsabilidad que el producto:

**Descripción:** **HERRAMIENTA HIDRONEUMÁTICA**

**Modelo:** **HERRAMIENTA ESTRUCTURAL AV<sup>®</sup> 5 – 73425--02000**

al que se refiere esta declaración es conforme a las siguientes normas armonizadas:

ISO 12100:2010	EN ISO 3744:2010
EN ISO 11202:2010	EN ISO 11148-1:2011
EN ISO 4413:2010	EN ISO 20643:2008+A1:2012
EN ISO 4414:2010	ES100118-rev 17:2017
EN ISO 28927-5:2009+A1:2015	

La documentación técnica ha sido elaborada de conformidad con el Reglamento de suministro de máquinas (seguridad) de 2008, S.I. 2008/1597 (y sus modificaciones).

El abajo firmante expide la presente declaración en nombre y representación de STANLEY Engineered Fastening



**A. K. Seewraj**

**Director de Ingeniería, Reino Unido**

Avdel UK Limited, Stanley House, Works Road, Letchworth Garden City, Hertfordshire, SG6 1JY REINO UNIDO

**Lugar de edición:** **Letchworth Garden City, UK**

**Fecha de edición:** **24-08-2021**



Esta máquina cumple  
el Reglamento de suministro de máquinas  
(seguridad) de 2008,  
S.I. 2008/1597 (y sus modificaciones)

## 11. ¡PROTEJA SU INVERSIÓN!

### **GARANTÍA DE LA REMACHADORA Stanley® Engineered Fastening**

STANLEY® Engineered Fastening garantiza que todas las herramientas han sido fabricadas cuidadosamente y no presentarán ningún defecto de los materiales o de mano de obra en condiciones de uso y mantenimiento normales, durante un periodo de (1) año.

Esta garantía se aplica al primer comprador de la herramienta y solo para su uso original.

#### **Excepciones:**

##### **Desgaste normal.**

El mantenimiento periódico, la reparación o la sustitución de piezas debido al desgaste normal están excluidos de la garantía.

##### **Uso indebido.**

Cualquier defecto o daño causado por un uso o un almacenamiento inadecuado, un accidente o negligencia, así como un daño físico, quedarán excluidos de la garantía.

##### **Reparaciones o modificaciones no autorizadas.**

Cualquier defecto o daño producido por un servicio, ajuste de prueba, instalación, mantenimiento o modificación llevado a cabo por personal que no sea de STANLEY® Engineered Fastening, o alguno de sus centros autorizados, quedarán excluidos de la garantía.

No se aplicará ninguna otra garantía, expresa o implícitamente indicada, incluyendo las garantías de comercialización o adecuación para un propósito concreto.

En caso de que esta herramienta falle estando en garantía, devuélvala a nuestro centro de servicio autorizado más cercano. Para obtener una lista de los Centros de servicio autorizados de STANLEY® Engineered Fastening en EE. UU. y Canadá, póngase en contacto con nosotros llamando al número gratuito (877)364 2781.

Fuera de EE. UU. y Canadá, visite nuestro sitio web **[www.StanleyEngineeredFastening.com](http://www.StanleyEngineeredFastening.com)** para encontrar la oficina de STANLEY Engineered Fastening más próxima a su localidad.

STANLEY Engineered Fastening sustituirá gratis la o las piezas que, según su criterio, sean defectuosas debido a defectos de los materiales o de la mano de obra, y le devolverá la herramienta con envío prepago. Esto constituye nuestra única obligación en virtud de esta garantía.

En ningún caso STANLEY Engineered Fastening se hará responsable de daños consecuentes o especiales que pudieran derivarse del uso de esta herramienta.

#### **Registrar la remachadora online.**

Para registrar su garantía en línea, visítenos en

<https://www.stanleyengineeredfastening.com/support/warranty-registration-form>

Gracias por elegir una herramienta de la marca Stanley Assembly Technologies de STANLEY® Engineered Fastening.

©2021 door het merk STANLEY Black & Decker  
 Alle rechten voorbehouden.





De verstrekte informatie mag niet worden gereproduceerd en/of openbaar gemaakt, op welke wijze en met welke middelen dan ook (elektronisch of mechanisch), zonder voorafgaande uitdrukkelijke en schriftelijke toestemming van STANLEY Engineered Fastening. De verstrekte informatie is gebaseerd op de gegevens die bekend waren op het moment van het verschijnen van dit product. STANLEY Engineered Fastening voert een beleid van continue productverbetering, wijzigingen van producten zijn derhalve voorbehouden. De verstrekte informatie is geldig voor het product zoals dit door STANLEY Engineered Fastening is geleverd. STANLEY Engineered Fastening kan derhalve niet aansprakelijk worden gesteld voor eventuele schade voortvloeiend uit afwijkingen van de oorspronkelijke specificaties van het product.

De beschikbare informatie is met alle mogelijke zorg samengesteld. STANLEY Engineered Fastening kan niet aansprakelijk worden gesteld voor eventuele fouten in de informatie of voor de gevolgen daarvan. STANLEY Engineered Fastening kan niet aansprakelijk worden gesteld voor schade voortvloeiend uit werkzaamheden die door derden zijn uitgevoerd. De door STANLEY Engineered Fastening gebruikte gebruiksnamen, handelsnamen, geregistreerde handelsmerken, etc. mogen krachtens de wetgeving inzake de bescherming van handelsmerken niet als vrij worden beschouwd.

## INHOUD

<b>1. VEILIGHEIDSVOORSCHRIFTEN .....</b>	<b>3</b>
1.1 ALGEMENE VEILIGHEIDSREGEL.....	3
1.2 GEVAREN VOOR PROJECTIELEN .....	4
1.3 OPERATIONELE RISICO'S.....	4
1.4 GEVAREN BIJ HERHAALDE BEWEGINGEN.....	4
1.5 GEVAREN BIJ GEBRUIK VAN ACCESSOIRES.....	4
1.6 GEVAREN OP DE WERKPLEK .....	4
1.7 GEVAAR VAN LAWAAI.....	5
1.8 GEVAAR VAN TRILLINGEN.....	5
1.9 AANVULLENDE VEILIGHEIDSINSTRUCTIES VOOR HYDRAULISCH GEREEDSCHAP.....	5
<b>2. SPECIFICATIES .....</b>	<b>6</b>
2.1 BEDOELD GEBRUIK.....	6
2.2 SPECIFICATIE VAN HET GEREEDSCHAP .....	6
2.3 AFMETINGEN VAN HET GEREEDSCHAP .....	7
<b>3. INGEBRUIKNAME.....</b>	<b>8</b>
3.1 WERKINGSPRINCIPE .....	8
3.2 VOORBEREIDINGEN VOOR GEBRUIK .....	9
<b>4. BEDIENINGSINSTRUCTIES .....</b>	<b>10</b>
4.1 OM EEN AVBOLT®-BEVESTIGINGSMIDDEL TE INSTALLEREN .....	10
4.2 OM EEN AVDELOK® -BEVESTIGINGSMIDDEL TE INSTALLEREN.....	10
4.3 OM EEN AVBOLT®-BEVESTIGINGSMIDDEL TE INSTALLEREN .....	11

<b>5. ONDERHOUD AAN HET GEREEDSCHAP .....</b>	<b>12</b>
5.1 DAGELIJKS ONDERHOUD.....	12
5.2 WEKELIJKS ONDERHOUD.....	12
5.3 JAARLIJKS ONDERHOUD / ELKE 250.000 VERRICHTINGEN .....	12
5.4 ONDERHOUDSSET .....	12
5.5 GEREEDSCHAPPEN VOOR HET ONDERHOUD.....	13
5.6 HYDRAULISCHE OLIE.....	13
5.7 INSTRUCTIES VOOR DE DEMONTAGE .....	13
5.8 HET MILIEU BESCHERMEN .....	16
<b>6. ALGEMENE MONTAGE- EN ONDERDELENLIJST.....</b>	<b>17</b>
6.1 ALGEMENE MONTAGE.....	17
6.2 ONDERDELENLIJST .....	19
<b>7. VEILIGHEIDSINFORMATIE .....</b>	<b>20</b>
7.1 Enerpac® HF HYDRAULISCHE OLIE - VEILIGHEIDSGEGEVENS .....	20
7.2 MOLYLITHIUM VET EP 3753 - VEILIGHEIDSINFORMATIE.....	20
7.3 Molykote® 111-VET - VEILIGHEIDSGEGEVENS.....	21
<b>8. FOUTDIAGNOSE .....</b>	<b>22</b>
<b>9. CE CONFORMITEITSVERKLARING .....</b>	<b>24</b>
<b>10. VK VERKLARING VAN OVEREENSTEMMING .....</b>	<b>25</b>
<b>11. BESCHERM UW INVESTERING! .....</b>	<b>26</b>

	Deze gebruiksaanwijzing moet worden gelezen door alle personen die dit gereedschap installeren of gebruiken, met bijzondere aandacht voor de volgende veiligheidswaarschuwingen en instructies.
	Draag altijd slagvaste oogbescherming als met het gereedschap wordt gewerkt. Het niveau van bescherming dient vóór elk gebruik beoordeeld te worden.
	Het gebruik van het gereedschap kan de handen van de gebruiker blootstellen aan risico's zoals beklemd raken, snij- en schaafwonden, stoten en hitte. Draag geschikte handschoenen voor het beschermen van de handen.
	Gebruik gehoorbescherming in overeenstemming met de voorschriften van de werkgever en zoals vereist door de regelgeving op het gebied van gezondheid en veiligheid op de werkplek.

## 1. VEILIGHEIDSVOORSCHRIFTEN

De onderstaande omschrijvingen beschrijven de ernst van ieder signaleringswoord. Lees de gebruiksaanwijzing door en let vooral op deze symbolen.



**GEVAAR:** Geeft een dreigend gevaar aan dat, als dit niet wordt voorkomen, leidt tot een ongeval met dodelijke afloop of tot ernstig letsel.



**WAARSCHUWING:** Geeft een mogelijk gevaar aan dat, indien dit niet wordt voorkomen, kan leiden tot de dood of ernstig letsel.



**LET OP:** Geeft een mogelijk gevaarlijke situatie aan die, als deze niet wordt voorkomen, kan leiden tot gering of matig letsel.



**LET OP:** Gebruikt zonder het waarschuwingssymbool geeft dit een mogelijk gevaarlijke situatie aan die, als deze niet wordt voorkomen, kan leiden tot materiële schade.

**Verkeerd gebruik of onderhoud van dit apparaat kan leiden tot ernstig letsel en materiële schade. Lees en begrijp alle waarschuwingen en bedieningsinstructies voordat u dit gereedschap gebruikt. Wanneer u werkt met elektrisch gereedschap, moet u altijd de elementaire veiligheidsmaatregelen in acht nemen zodat het risico op persoonlijk letsel wordt beperkt.**

### BEWAAR ALLE WAARSCHUWINGEN EN INSTRUCTIES ALS TOEKOMSTIG REFERENTIEMATERIAAL.

#### 1.1 ALGEMENE VEILIGHEIDSREGEL

- Ter voorkoming van gevaar dient u de veiligheidsvoorschriften te lezen en te begrijpen voordat het gereedschap wordt geïnstalleerd, gebruikt, gerepareerd, onderhouden of accessoires worden vervangen, dit is tevens van toepassing voor het werken aan of in de buurt van het gereedschap. Het niet opvolgen van deze instructies kan tot ernstige lichamelijke verwondingen leiden.
- Uitsluitend gekwalificeerde en geschoolde gebruikers mogen het gereedschap installeren, aanpassen of gebruiken.
- NIET voor andere doeleinden gebruiken dan voor het plaatsen van blindklinknagels van STANLEY Engineered Fastening.
- Gebruik alleen onderdelen, blindklinknagels en accessoires die door de fabrikant worden aanbevolen.
- Het gereedschap NIET aanpassen. Aanpassingen kunnen de effectiviteit van de veiligheidsmaatregelen verlagen en het risico voor de gebruiker verhogen. Een door de klant uitgevoerde wijziging van het gereedschap is uitsluitend en volledig de verantwoordelijkheid van de klant, als gevolg waarvan de garantie vervalt.
- De veiligheidsvoorschriften niet weggooien, overhandig ze aan de gebruiker.
- Gebruik het gereedschap niet als het beschadigd is.
- Controleer voor gebruik op verkeerde uitlijning en het vastlopen van bewegende onderdelen, breuk van onderdelen en andere omstandigheden die de werking van het gereedschap nadelig kunnen beïnvloeden. Laat het gereedschap, als het is beschadigd, repareren, voordat u het weer gebruikt. Verwijder voor gebruik alle inbusleutels of steeksleutels.
- Gereedschappen dienen periodiek geïnspecteerd te worden, om te verifiëren dat de classificaties en markeringen zoals vereist door dit deel van ISO 11148 goed leesbaar zijn op het gereedschap. Indien nodig, dient de werkgever/ gebruiker contact op te nemen met de fabrikant voor het verkrijgen van vervangende etiketten.
- Het gereedschap moet te allen tijde in een veilige omgeving onderhouden worden en regelmatig door getraind personeel worden gecontroleerd op schade en werking. Demontage-werkzaamheden moeten altijd door getraind personeel worden uitgevoerd. Demonteer het gereedschap niet zonder eerst de onderhoudsinstructies te raadplegen.

## 1.2 GEVAREN VOOR PROJECTIELEN

- Koppel het gereedschap los van de hydraulische pomp voordat onderhoud wordt uitgevoerd, een poging tot aanpassing wordt ondernomen of het plaatsen of verwijderen van het neusstuk wordt uitgevoerd.
- Wees u bewust van het feit dat een defect of storing van het werkstuk of de accessoires, of zelfs van het geplaatste gereedschap zelf, projectielen met een hoge snelheid kunnen genereren.
- Draag altijd slagvaste oogbescherming als met het gereedschap wordt gewerkt. Het niveau van bescherming dient vóór elk gebruik beoordeeld te worden.
- Op datzelfde moment dient ook het risico voor derden beoordeeld te worden.
- Zorg ervoor dat werkstuk veilig en goed is bevestigd.
- Controleer of de bescherming tegen het uitwerpen van een blindklinknagel en/of doorn op de juiste wijze is bevestigd en goed functioneert.
- Waarschuw voor het mogelijke uitschieten van nagels vanuit de voorzijde van het gereedschap.
- NOOIT gereedschap bedienen als het op iemand is gericht.

## 1.3 OPERATIONELE RISICO'S

- Het gebruik van het gereedschap kan de handen van de gebruiker blootstellen aan risico's zoals beklemd raken, snij- en schaafwonden, stoten en hitte. Draag geschikte handschoenen voor het beschermen van de handen.
- Gebruikers en onderhoudspersoneel moeten fysiek in staat zijn om de omvang, het gewicht en de kracht van het gereedschap te kunnen hanteren.
- Het gereedschap dient op de juiste manier vastgehouden te worden; de gebruiker dient klaar te zijn om normale of plotselinge bewegingen te neutraliseren en de gebruiker dient beide handen ter beschikking te hebben.
- Houd de handgreep droog, schoon en vrij van olie en vet.
- Zorg voor een evenwichtige lichaamshouding en een stabiele plaatsing van de voeten tijdens het werken met het gereedschap.
- Geef het start/stop-apparaat vrij bij een onderbreking van de hydraulische toevoer.
- Gebruik uitsluitend smeermiddelen die door de fabrikant worden aanbevolen.
- Vermijd contact met hydraulische vloeistoffen. Voorkom uitslag van de huid, bij contact dient u zich zorgvuldig te wassen.
- Gegevens over materiaalveiligheid voor alle hydraulische oliën en smeermiddelen zijn op aanvraag verkrijgbaar bij de leverancier van het gereedschap.
- Voorkom ongeschikte houdingen, omdat het waarschijnlijk is dat het in dergelijke houdingen niet mogelijk is om normale en/of onverwachte bewegingen van het gereedschap te neutraliseren.
- Wanneer het gereedschap is bevestigd aan een ophangelement, controleer dan of de ophanging veilig is.
- Wees u bewust van het pletgevaar als het neusstuk niet is aangebracht.
- Gebruik het gereedschap NIET zonder de neushouder.
- Er is voldoende ruimte nodig voor de handen van de gebruiker.
- Houd uw handen uit de buurt van de bedieningsschakelaar wanneer u het gereedschap verplaatst om incidenteel opstarten te voorkomen.
- Gebruik het gereedschap NOOIT verkeerd, laat het niet vallen en gebruik het niet als hamer.
- Er moet op worden gelet dat de restnagels geen gevaarlijke situatie veroorzaken.

## 1.4 GEVAREN BIJ HERHAALDE BEWEGINGEN

- Tijdens het hanteren van het gereedschap kan de gebruiker een onaangenaam gevoel ervaren in de handen, armen, schouders, nek of andere delen van het lichaam.
- Bij het hanteren van het gereedschap moet de gebruiker een comfortabele houding aannemen, terwijl tegelijkertijd een goede en veilige stand van de voeten wordt behouden en een ongemakkelijke en/of onevenwichtige houding wordt voorkomen. Bij langdurige werkzaamheden moet de gebruiker van houding veranderen; hierdoor kan een onaangenaam gevoel en vermoeidheid worden voorkomen.
- Wanneer de gebruiker symptomen ervaart zoals een aanhoudend onaangenaam gevoel, pijn, een kloppend gevoel, tintelingen, gevoelloosheid, een branderig gevoel of stijfheid, dan mogen deze waarschuwingssignalen niet genegeerd worden. De gebruiker moet de werkgever informeren en contact opnemen met een arts.

## 1.5 GEVAREN BIJ GEBRUIK VAN ACCESSOIRES

- Ontkoppel het gereedschap van de hydraulische en elektrische voeding voordat het neusstuk of een accessoire wordt geplaatst of verwijderd.
- Gebruik uitsluitend de formaten en de accessoires en verbruiksartikelen die door de fabrikant van het gereedschap worden aanbevolen; gebruik geen andere formaten en soorten van accessoires en verbruiksartikelen.

## 1.6 GEVAREN OP DE WERKPLEK

- Uitglijden, struikelen en vallen zijn de belangrijkste oorzaken van letsels op de werkplek. Wees u bewust van door het gereedschap veroorzaakte gladde oppervlakken en let ook op risico's op struikelen, veroorzaakt door de luchtslang of de hydraulische slang.



- Ga voorzichtig te werk in onbekende omgevingen. Hier kunnen verborgen risico's aanwezig zijn, zoals stroomkabels of andere kabels van andere nutsvoorzieningen.
- Het gereedschap is niet bedoeld voor gebruik in mogelijk explosieve omgevingen en is niet geïsoleerd tegen contact met elektriciteit.
- Controleer of stroomkabels, gasleidingen, enz. die aanwezig zijn, een gevaar kunnen vormen als deze als gevolg van het gebruik van het gereedschap beschadigd raken.
- Draag geschikte kleding. Draag geen loszittende kleding of sieraden. Houd uw haar, kleding en handschoenen weg bij bewegende onderdelen. Loszittende kleding, sieraden of lang haar kunnen door bewegende delen worden gegrepen.
- Er moet op worden gelet dat de restnagels geen gevaarlijke situatie veroorzaken.

### 1.7 GEVAAR VAN LAWAAI

- Blootstelling aan hoge geluidsniveaus kan permanent gehoorverlies en andere problemen veroorzaken, zoals tinnitus oftewel oorsuizen (een rinkelend, zoemend, brommend of fluitend geluid in de oren). Daarom is een risicobeoordeling en het gebruik van de daarvoor geschikte controles voor deze risico's van groot belang.
- Geschikte controles voor het verlagen van de risico's omvatten o.a. het gebruik van geluiddempende materialen om te voorkomen dat werkstukken 'suizen'.
- Gebruik gehoorbescherming in overeenstemming met de voorschriften van de werkgever en zoals vereist door de regelgeving op het gebied van gezondheid en veiligheid op de werkplek.
- Gebruik en onderhoud het gereedschap zoals wordt aanbevolen in de gebruikershandleiding, zodat het onnodig verhogen van het geluidsniveau wordt voorkomen.

### 1.8 GEVAAR VAN TRILLINGEN

- Blootstelling aan trillingen kan beschadigingen van de zenuwen en de bloedtoevoer van handen en armen veroorzaken.
- Draag warme kleding bij het werken in koude omstandigheden en zorg ervoor dat uw handen droog en warm blijven.
- Als u gevoelloosheid, tintelingen, pijn of het wit worden van de huid van vingers of handen ervaart, dient u te stoppen met het gebruik van het gereedschap, uw werkgever te informeren en een arts te raadplegen.
- Ondersteun, indien mogelijk, het gewicht van het gereedschap door het in een standaard, spaninrichting of balancerapparaat te plaatsen, omdat deze manier minder kracht vereist voor de ondersteuning van het gereedschap.

### 1.9 AANVULLENDE VEILIGHEIDSINSTRUCTIES VOOR HYDRAULISCH GEREEDSCHAP

- De werkdruk van de hydraulische toevoer mag niet hoger zijn dan 550 bar (8000 PSI).
- Olie onder druk kan ernstige letsels veroorzaken.
- Monteer geen flexibele hydraulische slangen met een nominale capaciteit voor de werkdruk van minder dan 700 bar (10.000 PSI) bij een stroomsnelheid van 2,73 l/min. (200 in 3/min).
- Laat het gereedschap nooit zonder toezicht liggen. Verwijder de hydraulische slang en de stroomkabel van de pomp als het gereedschap niet wordt gebruikt, voordat accessoires worden vervangen of vóór het uitvoeren van reparaties.
- Slangen die slaande bewegingen maken, kunnen ernstige letsels veroorzaken. Controleer altijd op beschadigde of losse slangen en koppelingen.
- Inspecteer hydraulische slangen vóór gebruik op beschadigingen, alle hydraulische aansluitingen moeten schoon zijn, volledig afgesloten en dicht vóór het in werking zetten. Laat geen zware voorwerpen op de slangen vallen. Een scherp voorwerp kan interne schade veroorzaken en de levensduur van de slang verkorten.
- Waar universele gedraaide koppelingen (klauwverbindingen) worden gebruikt, dienen borgpennen en een veiligheidskabel (whipcheck) geplaatst te worden om te beveiligen tegen mogelijke defecten van slang-gereedschap-verbindingen of slang-slang-verbindingen.
- Blindklinkgereedschap NIET optillen via de slang of de stroomkabel. Gebruik altijd de handgreep van het blindklinkgereedschap.
- De hydraulische pomp NIET verplaatsen via de slangen en niet aan de slangen trekken. Gebruik altijd de handgreep van de pomp of een rolkooi.
- Houd stof en vuil uit het hydraulische systeem van het gereedschap omdat dit een storing kan veroorzaken.
- Gebruik alleen schone olie en vulapparatuur.
- Alleen de aanbevolen hydraulische vloeistoffen mogen worden gebruikt.
- Voedingsaggregaten vereisen een vrije luchtstroom voor het koelen en moeten daarom in een goed geventileerde ruimte staan, die vrij is van gevaarlijke dampen.
- De maximale temperatuur van de hydraulische vloeistof bij de inlaat is 110°C (230°F).

**STANLEY Engineered Fastening voert een beleid van constante productontwikkeling en productverbetering, en behouden ons het recht voor de specificaties van onze producten te wijzigen zonder voorafgaande kennisgeving.**

## 2. SPECIFICATIES

### 2.1 BEDOELD GEBRUIK

Het AV®5-installatiegereedschap is eigenlijk een zuiger- en cilinderenheid. Bij hydraulische en elektrische koppeling aan een geschikte hydraulische voedingsbron en bij bevestiging van het bijpassende neusstuk, kan het gereedschap worden gebruikt voor het plaatsen van de volgende blindklinknagels: 3/8" Avdelok®, 3/8" NeoBolt®, 5/16" Avbolt® en Ø16mm Avseal® in industriële omgevingen.

Het blindklinknagelgereedschap en de hydraulische pomp mogen uitsluiten worden gebruikt in overeenkomst met de gebruiksaanwijzingen voor het plaatsen van Stanley Engineered Fastening blindklinknagels.

Zie de onderstaande tabel voor een lijst met van toepassing zijnde bevestigingsmiddelen en bijbehorende neusstukken. Zie de datasheets zoals opgenomen in de tabel voor instructies voor het betreffende neusstuk.

**NIET GEBRUIKEN** in natte omstandigheden of in de aanwezigheid van ontvlambare vloeistoffen of gassen.

BEVESTIGINGSMATERIAAL	NEUSSTUKKEN				GEGEVENSBLAAD	
	TYPE	GROOTTE	ONDERDEEL-NUMMER	DIM. 'A'	DIM. 'B'	ONDERDEEL-NUMMER
AVBOLT®	1/4"		07220-07500	70 mm	19 mm	07900-00905
	5/16"		07220-07700	100 mm	27 mm	07900-00905
AVDELOK®	5/16"		07220-05600	130 mm	27 mm	
	3/8"		07220-02000	100 mm	27 mm	
AVSEAL® II	16 mm		07220-06800	100 mm	27 mm	07900-00840
AVTAINER®	3/8"	*	71230-15600	130 mm	23 mm	
MONOBOLT®	1/4"	*	71230-15800	130 mm	27 mm	
	3/8"		07220-07200	110 mm	27 mm	
NEOBOLT®	5/16"		73200-05000	100 mm	27 mm	07900-01071
	3/8"		73200-05100	100 mm	27 mm	07900-01071

Opmerkingen:

Lengtematen afgerond.

\* Het is een vereiste om een adapter met onderdeelnummer 07267-00800 te gebruiken om deze neusstukken te plaatsen.

\*Neusstukken met klemsluiting.

Zie de illustraties op pagina 8 voor de aanduiding van de afmetingen 'A' en 'B' van het neusstuk.

De veiligheidsinstructies moeten te allen tijde worden opgevolgd.

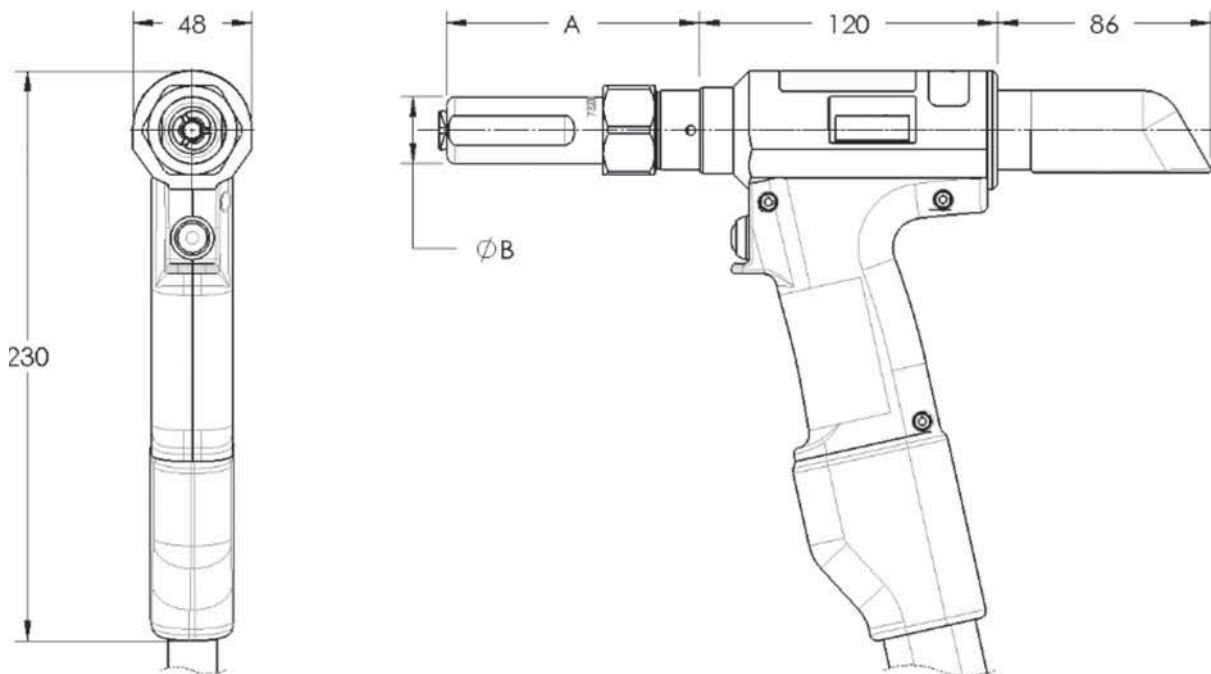
### 2.2 SPECIFICATIE VAN HET GEREEDSCHAP

	SPECIFICATIES	METRISCH	IMPERIAAL
Kracht:	Aantrekken @ bij de aangegeven aantrekdruk	36,0 kN	8992,4 lbf
	Terugtrekken @ bij de aangegeven terugtrekdruk	17,5 kN	3934,1 lbf
Druk:	Aantrekken	510 bar	7396,9 lbf/in <sup>2</sup>
	Terugtrekken	200 bar	2900,7 lbf/in <sup>2</sup>
Slag:	Minimum zuigerslag	30,0 mm	1,18 in
Gewicht:	Met neusstuk en slang	2,9 kg	6,4 lb
Hydraulische olie:	Enerpac hydraulische olie - HF-95X	-	-
	Uitwerping van de stift		Achterkant
	Afdichtingstoepassingen	Dubbele lip & schraperdichtingen	
Extra functies:	Hydraulische lagerringen	Ja – Vooraan & achteraan	
	Beschermende handgreep / Uittrekbare, flexibele slang		Ja
	Beveiligende slangbescherming		Ja
	Slang / Kabelklemmen		Ja

Geluidsmeting bepaald op basis van de test voor de specifieke normen geluidsmeting machines, testcode ISO 15744 en ISO 3744.		AV5
A-klasse geluidsvermogeniveau dB(A), LWA	Onzeker lawaai: kWA = 3,0 dB(A)	86,9 dB(A)
A-klasse emissie geluidsdruk niveau op het werkstation dB(A), LpA	Onzeker lawaai: kpA = 3,0 dB(A)	75,9 dB(A)
C-klasse piek emissie geluidsdruk niveau dB(C), LpC, piek	Onzeker lawaai: kpC = 3,0 dB(C)	81,1 dB(C)

De geluidswaarden zijn bepaald overeenkomstig de normen voor geluidstesten ISO 20643 en ISO 5349		AV5
Vibratie-emissieniveau, ahd:	Onzekerheid trillingsniveau: k = 1,34 m/s <sup>2</sup>	2,69 m/s <sup>2</sup>
Genoemde trillingswaarden in overeenkomst met EN 12096		

**2.3 AFMETINGEN VAN HET GEREEDSCHAP**



Alle afmetingen worden weergegeven in millimeter. Afbeelding weergegeven met 3/8" NeoBolt®-neusstukken geplaatst. Het uiterlijk van het gereedschap zal variëren afhankelijk van de verschillende neusstukken die zijn gemonteerd.

Raadpleeg de tabel op pagina 7 voor de afmetingen 'A' en 'B' van de neusstukken.

Het gereedschap is uitgerust met twee hydraulische slangen en een elektrische bedieningskabel van 0,6 m lang. Aanvullende verlengstukken voor de hydraulische slang en kabel zijn verkrijgbaar en kunnen afzonderlijk worden besteld, zoals vereist. Zie de onderstaande tabel voor een lijst met beschikbare lengtes voor slangen en bijbehorende artikelnummers voor de accessoires.

HYDRAULISCHE SLANGENHEID	
ONDERDEELNUMMER	LENGTE VAN DE SLANG
07008-00448	5 meter
07008-00449	10 meter
07008-00450	15 meter

## 3. INGEBRUIKNAME

### 3.1 WERKINGSPRINCIPE

**BELANGRIJK - LEES DE VEILIGHEIDSINSTRUCTIES OP PAGINA 4-6 EN DE HANDLEIDING VAN DE POMPEENHEID AANDACHT VOORDAT U DE INSTALLATIE IN GEBRUIK NEEMT.**

Wanneer beide slangen en de bedieningskabel op de Avdel®/ Enerpac® hydraulische pompeenheid zijn aangesloten, zullen de trek- en retourcycli van het gereedschap geregeld worden door het indrukken en loslaten van de trekker in de handgreep.

Als de schakelaar is ingedrukt, activeert de in de hydraulische pomp ingebouwde elektromagnetische klep, waardoor de oliestroom onder druk naar de kant van de aantrekking van de zuiger in het blindklinknagelgereedschap wordt getransporteerd. Hierdoor kan de olie aan de kant van de terugtrekking van blindklinknagelgereedschap terugstromen naar het reservoir.

Tijdens de trekcyclus beweegt de zuiger-/spantangeenheid naar de achterkant van het gereedschap, waardoor het kussen van het O-ring type de volger en de klauwen vooruit kan drukken. Als er een bevestigingspen in de neusstukeenheid is geplaatst, zal de klauwset op de achterkant van de pen klemmen en de eenheid in beweging komen.

Voor Avbolt- en Avdelok® zal de cyclus voor installatie eerst de koppeling die bevestigd moet worden klemmen en naarmate het aambeeld voorwaarts beweegt, zal de kraag in de vergrendelgroeven van de pen worden gedrukt. Aan het einde van de vastklinkcyclus zal het aambeeld weer tegen de verbinding aankomen en terwijl de beweging voortgaat zal de achterkant van de pen afbreken.

De bedieningsschakelaar dient direct vrijgegeven te worden zodra het afbreken van pen is gerealiseerd. Het vrijgeven van de bedieningsschakelaar zal tot gevolg hebben dat de elektromagnetische klep uitschakelt en de oliestroom onder druk zal worden omgekeerd.

Als de bedieningsschakelaar niet wordt vrijgegeven, zal de zuiger van het blindklinknagelgereedschap naar voren blijven gaan, totdat het gereedschap het einde van de slag bereikt. De druk in de trekzijde zal toenemen tot een vooraf ingestelde waarde 'Hoge druk' wordt bereikt aan de pomp. Op dit punt zal de elektromagnetische klep uitschakelen en de olie onder druk terugvoeren naar de terugtrekzijde van het blindklinknagelgereedschap.

In beide gevallen zal de olie nu onder druk naar de terugtrekzijde van het blindklinknagelgereedschap stromen, waarbij de olie in de aantrekzijde terugkeert naar het reservoir.

De voorwaartse beweging van de zuiger/spankop zal de geïnstalleerde blindklinknagel van het aambeeld uitwerpen.

Op het moment waarop de trekker wordt losgelaten of wanneer de waarde 'Hoge druk' wordt bereikt, zal het magneetventiel lossen en een vooraf ingestelde 'Retourtimer' activeren. Dit is de besturing van de tijd dat de pompmotor doorloopt voordat het naar de modus stationair schakelt. De timer kan handmatig ingesteld worden tussen 5 en 20 seconden, om ervoor te zorgen dat de zuiger van het blindklinknagelgereedschap altijd volledig terug naar de voorste positie keert (raadpleeg de pomphandleiding 07900-01030, pagina's 10 en 13).

Als de zuiger naar de volledig voorwaartse positie, zal de druk verhogen naar de vooraf ingestelde lage waarde voor de druk, te weten: c200 bar. De pompmotor zal blijven doordraaien totdat de ingestelde tijd van de Terugslag-timer is verlopen. Na deze periode zal de motor automatisch stoppen en de klep schakelt naar de stationaire positie. De elektromagnetische klep zal vervolgens automatisch doorgaan om de olie onder druk vrij te geven aan het reservoir, zowel van de aantrek- als de terugtrekzijde van het blindklinknagelgereedschap.

Hierdoor zal het blindklinknagelgereedschap in de voorwaartse positie blijven. Op dit moment zal geen druk in het hydraulische systeem aanwezig zijn.

De hydraulische pomp zal automatisch starten zodra de bedieningsschakelaar van het gereedschap wordt ingedrukt.

### 3.2 VOORBEREIDINGEN VOOR GEBRUIK

**LET OP - DE JUISTE TREK- EN RETOURDRUKKEN ZIJN BELANGRIJK VOOR EEN GOEDE WERKING VAN HET INSTALLATIEGEREEDSCHAP. VERKEERDE DRUK KAN LEIDEN TOT PERSOONLIJK LETSEL OF BESCHADIGING VAN HET GEREEDSCHAP. DE TREK- EN RETOURDRUKKEN DIE DOOR DE HYDRAULISCHE POMPEENHEID WORDEN GELEVERD, MOGEN NIET HOGER WORDEN DAN DE DRUKKEN DIE WORDEN VERMELD IN DE SPECIFICATIES VAN HET BLINDKLINKNAGELGEREEDSCHAP.**

**BELANGRIJK - VOOR HET BLINDKLINKNAGELGEREEDSCHAP EN DE HYDRAULISCHE SLANGEENHEID IN DIENST TE NEMEN:**

**ZORG ERVOOR DAT DE DRUKAFLAATKLEPPEN VAN DE POMP ZIJN INGESTELD OVEREENKOMSTIG DE POMPINSTRUCTIES EN DE MAXIMUM DRUKKEN DIE ZIJN OPGEGEVEN VOOR HET BLINDKLINKNAGELGEREEDSCHAP EN DE SLANGEN.**

**ZORG ERVOOR DAT DE SLANGENSET IS VOORBEHANDELD MET HYDRAULISCHE VLOEISTOF, OVEREENKOMSTIG DE PROCEDURE IN DE POMPHANDLEIDING 07900-01030.**

- Zorg ervoor dat de netvoeding naar de hydraulische pomp uitgeschakeld is.
- Sluit de snelkoppelingen van de hydraulische slang van het blindklinknagelgereedschap rechtstreeks op de pomp aan, voor het aansluiten van de elektrische bedieningskabel. Slangen en besturingskabel dienen in deze volgorde aangesloten te worden en de ont koppeling dient in de omgekeerde volgorde uitgevoerd te worden.
- Schakel de netvoeding naar de hydraulische pompeenheid in. Wacht 5 seconden zodat de pomp de startprocedure kan voltooien, voordat u op de bedieningsschakelaar drukt. Als het gereed is zal op het LCD-scherm van de pomp de tekst 'AVDEL' verschijnen.
- Tijdens de opstartsequentie, identificeert het pompbedieningssysteem elke bediening van de trekker als een mogelijke storing en voorkomt het dat de motor start. Op dat moment zal op het LCD-scherm de tekst 'KNOP - FOUT' verschijnen. Het systeem kan opnieuw worden ingesteld door gedurende 10 seconden de voeding uit te schakelen.
- Zorg ervoor dat het blindklinknagelgereedschap zich onder de reservoirtanks van de pomp bevindt. Druk de trekkerschakelaar van het blindklinknagelgereedschap enkele keren in en laat deze weer los, tot bijna een volledige slag van het gereedschap, om de hydraulische vloeistof te laten stromen en lucht uit het gereedschap te verdrijven.
- Observeer de werking van het gereedschap. Controleer op lekkages van de vloeistof en controleer of de stationaire modus van de zuiger in de volledig voorwaartse positie staat. Het blindklinknagelgereedschap zal nu worden voorbereid.
- Schakel de netvoeding naar de hydraulische pompeenheid uit en koppel het blindklinknagelgereedschap daarna in omgekeerde volgorde los van de pompeenheid, zoals hierboven wordt beschreven.
- Sluit het blindklinknagelgereedschap nu aan op de voorbehandelde slangenset en de elektrische bedieningskabel. Vervolgens de snelkoppelingen van de hydraulische slangen en elektrische besturingskabel aan de pomp aansluiten.
- Bevestig de neusstukken op het gereedschap, overeenkomstig de instructies in het betreffende gegevensblad van de neusstukken.
- Schakel de netvoeding naar de hydraulische pompeenheid in, zoals hierboven beschreven.
- Druk de trekkerschakelaar van het blindklinknagelgereedschap enkele keren in en laat deze weer los, tot bijna een volledige slag van het gereedschap, om de hydraulische vloeistof te laten stromen.
- Het blindklinknagelgereedschap is nu klaar voor gebruik.

## 4. BEDIENINGSINSTRUCTIES

### 4.1 OM EEN AVBOLT®-BEVESTIGINGSMIDDEL TE INSTALLEREN

Voor meer informatie over dit bevestigingsmiddel, raadpleeg het gegevensblad van de neusstukken, zoals weergegeven in de tabel op pagina nr. 7. De onderstaande informatie is bedoeld als richtlijn.

- Controleer het werk en verwijder overmatige opening. (De opening is de ruimte tussen de componenten van de verbinding. De opening is overmatig als een onvoldoende deel van de achterkant van de pen uit de kraag uitsteekt, zodat de koppen van het neusstuk dit niet kunnen vastpakken).
- Plaats de-bevestiging in het gat.
- Duw het neusstuk op de pen totdat het aambeeld van het neusstuk tegen de kraag stopt. Het gereedschap en het neusstuk moeten in een rechte hoek (90°) ten opzichte van het werk worden gehouden.
- Druk de trekkerschakelaar in om de installatiecyclus te starten.
- Wanneer de voorwaartse beweging van het aambeeld van de neusstukken stopt en de achterkant van de pen afbreekt, laat u de trekker los. Het gereedschap genereert een terugslag en trekt het geïnstalleerde blindklinknagelgereedschap terug. Aan het einde van de terugslag zullen de koppen het uitstekende deel van de achterkant van de pen gedeeltelijk vrijgeven, zodat deze vervolgens bij de volgende installatie door de koppen kan worden gevoerd en daarna wordt uitgevoerd via de achterkant van het gereedschap.
- Zodra het geïnstalleerde bevestigingsmiddel wordt uitgeworpen, zijn het gereedschap en de neusstukken klaar voor de volgende installatie.

### 4.2 OM EEN AVDELOK® -BEVESTIGINGSMIDDEL TE INSTALLEREN

Voor meer informatie over dit bevestigingsmiddel, raadpleeg het gegevensblad van de neusstukken, zoals weergegeven in de tabel op pagina nr. 7. De onderstaande informatie is bedoeld als richtlijn.

- Controleer het werk en verwijder overmatige opening. (De opening is de ruimte tussen de componenten van de verbinding. De opening is overmatig als een onvoldoende deel van de achterkant van de pen uit de kraag uitsteekt, zodat de koppen van het neusstuk dit niet kunnen vastpakken).
- Plaats de Avdelok®-bevestiging in het gat.
- Schuif de Avdelok®-kraag over de pen. (Het afgeschuinde einde van de kraag moet gericht zijn naar het neusstuk en het gereedschap.)
- Duw het neusstuk op de pen totdat het aambeeld van het neusstuk tegen de kraag stopt. Het gereedschap en het neusstuk moeten in een rechte hoek (90°) ten opzichte van het werk worden gehouden.
- Druk de trekkerschakelaar in om de installatiecyclus te starten.
- Wanneer de voorwaartse beweging van het aambeeld van de neusstukken stopt en de achterkant van de pen afbreekt, laat u de trekker los. Het gereedschap genereert een terugslag en trekt het geïnstalleerde blindklinknagelgereedschap terug. Aan het einde van de terugslag zullen de koppen het uitstekende deel van de achterkant van de pen gedeeltelijk vrijgeven, zodat deze vervolgens bij de volgende installatie door de koppen kan worden gevoerd en daarna wordt uitgevoerd via de achterkant van het gereedschap.
- Zodra het geïnstalleerde bevestigingsmiddel wordt uitgeworpen, zijn het gereedschap en de neusstukken klaar voor de volgende installatie.

**LET OP - PROBEER DE ACHTERKANT VAN EEN PEN NIET AF TE BREKEN ZONDER HET PLAATSEN VAN EEN KRAAG, OMDAT DIE ERVOOR ZAL ZORGEN DAT HET NIET BEVESTIGDE DEEL VAN DE ACHTERKANT VAN DE PEN VAN DE AVDELOK® OF AVBOLT® UIT HET NEUSSTUK KOMT TEGEN HOGE SNELHEID EN MET VEEL KRACHT.**

### 4.3 OM EEN AVBOLT®-BEVESTIGINGSMIDDEL TE INSTALLEREN

Voor meer informatie over dit bevestigingsmiddel, raadpleeg het gegevensblad van de neusstukken, zoals weergegeven in de tabel op pagina nr. 7. De onderstaande informatie is bedoeld als richtlijn.

- Steek de achterkant van de pen van de NeoBolt® door het gat en duw het volledig door de koppelingslagen.
- Plaats de kraag van de NeoBolt® over de achterkant van de pen (het geflensde einde van de kraag moet zich het dichtst tegen het werkstuk bevinden) en draai linksom om de kraag, minstens een halve draai, op de schroefdraad van de pen te zetten.
- Duw de spantang volledig over de pen en trek aan te achterkant tot de spantang de trekgroef op de NeoBolt®-**pen** volledig bedekt en het trekachterste contact maakt met de aanslag van de spantang. Het blindklinknagelgereedschap moet loodrecht (90°) ten opzichte van het werkstuk worden gehouden.
- Druk de trekkerschakelaar in en houd deze ingedrukt om de installatiecyclus te starten. De spantang zal de achterkant van de NeoBolt®-**pin** vastgrijpen en het aambeeld tegen de kraag trekken.
- Blijf de trekker ingedrukt houden tot de kraag volledig gedraaid is en de voorwaartse beweging van het aambeeld stopt tegen de kraagflens. De zuiger van het blindklinknagelgereedschap en de spankop zullen vervolgens automatisch terugkeren om het aambeeld van de geïnstalleerde kraag terug te trekken, waardoor de achterkant van de pen loskomt van de spankop.
- Laat de trekker los.
- Zodra het geïnstalleerde bevestigingsmiddel uit het aambeeld wordt uitgeworpen, zijn het blindklinknagelgereedschap, de neusstukken en de pompeenheid klaar voor de volgende installatie.

**LET OP – Laat de trekker niet los voordat het trekcyclus van het blindklinknagelgereedschap is voltooid en de pompeenheid en het gereedschap automatisch zijn overgeschakeld naar de retourcyclus. Het vrijgeven van de bedieningsschakelaar vóór dit punt zal een onjuist geplaatste of gedeeltelijke geplaatste NeoBolt®-blindklinknagel tot gevolg hebben.**



## 5. ONDERHOUD AAN HET GEREEDSCHAP

**BELANGRIJK - LEES DE VEILIGHEIDSINSTRUCTIES OP PAGINA'S 4 - 6. HET IS DE VERANTWOORDELIJKHEID VAN DE WERKGEVER DAT DE ONDERHOUDSINSTRUCTIES AAN DE JUISTE PERSONEELSLEDEN WORDEN GEGEVEN. DE GEBRUIKER MAG NIET BETROKKEN ZIJN BIJ ONDERHOUD OF REPARATIE VAN HET GEREEDSCHAP, TENZIJ HIJ/ZIJ DAARVOOR IS OPGELEID. HET GEREEDSCHAP MOET REGELMATIG WORDEN GECONTROLEERD OP SCHADE EN SLECHTE WERKING.**

### 5.1 DAGELIJKS ONDERHOUD

- Controleer het blindklinknagelgereedschap, de slangen en de snelkoppelingen op olieklekken.
- Versleten of beschadigde slangen en koppelingen moeten vervangen worden.
- Controleer dat de slag van het gereedschap voldoet aan de specificaties.
- Controleer of de eindkap goed en stevig op de AV®5-behuizing is bevestigd.
- Controleer dat de steeldetector is geplaatst.
- Controleer dat het overdrukventiel voor het trekken/vooruit bewegen van de pomp goed werkt.
- Controleer dat de neusstukapparatuur geschikt is voor de klinknagel die geplaatst moet worden en dat deze gepast bevestigd is.
- Controleer op slijtage van het aanbeeld door afdrukmarkeringen op de geïnstalleerde kraag. Dit kan worden ook bevestigd door te kijken naar de informatie voor de installatie in de catalogus van de blindklinknagels. Overmatige slijtage kan tot gevolg hebben dat het aanbeeld scheurt.

### 5.2 WEKELIJKS ONDERHOUD

- Demonteer en reinig de neusstukken, in het bijzonder de klemmen, zoals beschreven in het betreffende gegevensblad van de neusstukken.
- Controleer op olieklekken in het blindlinknagelgereedschap, de slangen en de snelkoppelingen.

**LET OP - Gebruik nooit oplosmiddelen of andere agressieve chemicaliën voor het reinigen van de niet-metalen onderdelen van het gereedschap. Deze chemicaliën kunnen de materialen verzwakken die in deze onderdelen gebruikt worden.**

### 5.3 JAARLIJKS ONDERHOUD / ELKE 250.000 VERRICHTINGEN

- Het gereedschap moet jaarlijks of elke 250.000 cycli (wat eerst is) volledig gedemonteerd worden en versleten of beschadigde onderdelen moeten door nieuwe exemplaren vervangen worden, of zoals aanbevolen. Alle O-ringen, backup-ringen en dichtingen moeten worden vernieuwd en gesmeerd met MolyKote® 111-vet vóór montage.

### 5.4 ONDERHOUDSSET

Voor het volledige onderhoud is een servicepakket verkrijgbaar:

ONDERHOUDSSET: 73425-99990			
ONDERDEEL-NUMMER	BESCHRIJVING	ONDERDEEL-NUMMER	BESCHRIJVING
07005-10118	Snelkoppeling – Mannelijk	07900-01103	Geleidingssleuf AV®5-zuiger
07005-10120	Snelkoppeling – Vrouwelijk	07900-01104	Eindkap AV®5-montagegereedschap
07900-00043	AV®5 Zuigerkogel – Voorkant AV®5	07992-00020	Vet – MolyLithium EP3753
07900-01101	Zuigerkogel – Achterkant	07900-00755	Vet – MolyKote 111
07900-01102	AV®5 Geleidingsstang voorste pakking	07900-00756	Loctite 243 schroefdraadborgmiddel
		07002-00478	M4 X 20 HD inbusdopschroef

## 5.5 GEREEDSCHAPPEN VOOR HET ONDERHOUD

De volgende standaard gereedschappen zijn eveneens vereist:

- Inbussleutel: 2,0 / 3,0 mm
- Vlakke open spanner: 12 / 14 / 18 / 24 / 45 mm A/F
- PTFE-tape: 10 mm
- Monteursbankschroef met klemafschermingen – 150 mm

## 5.6 HYDRAULISCHE OLIE

**LET OP – Gebruik alleen Enerpac® HF hydraulische olie – het gebruik van andere olie zal leiden tot een slechte werking van het blindklinknagelgereedschap en de pomp en zal de garantie voor het blindklinknagelgereedschap doen vervallen.**

Hydraulische olie kan worden besteld onder vermelding van de volgende onderdeelnummers.

HYDRAULISCHE OLIE			
ONDERDEELNUMMER	07992-00081	07992-00082	07992-00083
Enerpac®-onderdeelnummer	HF-95X	HF-95Y	HF-95T
Inhoud	1 liter	5 liter	20 liter
Viscositeit	32 mm <sup>2</sup> /s	32 mm <sup>2</sup> /s	32 mm <sup>2</sup> /s

## 5.7 INSTRUCTIES VOOR DE DEMONTAGE

**BELANGRIJK – ZORG ERVOOR DAT DE NETVOEDING NAAR DE HYDRAULISCHE POMP UITGESCHAKELD IS VOOR HET VERWIJDEREN VAN DE NEUSSTUKKEN OF HET DEMONETEREN VAN HET BLINDKLINKNAGELGEREEDSCHAP.**

### Vóór de demontage:

- Maak de snelkoppelingen **9** en **10** en de elektrische bedieningskabel **14** tussen het blindklinknagelgereedschap en de hydraulische slangeenheid los.
- Bevestig de neusstukken op het blindklinknagelgereedschap, overeenkomstig de instructies in het betreffende gegevensblad van de neusstukken.
- De potentieel gevaarlijke stoffen die zich mogelijk op de machine hebben afgezet als gevolg van de werkprocessen, moeten worden verwijderd vóór het uitvoeren van onderhoud.

Voor een volledig nazicht van het gereedschap, raden we u aan om verder te gaan met het demonteren van het gereedschap in de volgorde die wordt weergegeven op pagina's **14** tot **17**. Na het demonteren van het gereedschap, adviseren wij het vervangen van alle afdichtingen.

### Montage van de zuigerkop:

- Verwijder de deflector **3**, van de eindkap **15**.
- Klem de handgreep van het gereedschap in een werkbank met zachte klauwen, met de neus van het gereedschap naar beneden. Plaats de paspennen op de \*eindkap van het gereedschap in de drie gaten in de eindkap **15**.
- Schroef de eindkap **15** los en verwijder deze van de behuizing 1 met een 45 mm A/F spanner.
- Verwijder O-ring **28** van de eindkap **15** met een kleine schroevendraaier en gooi de ring weg.
- Koppel de reserve \*Snelkoppeling – Mannelijk naar de snelkoppeling – Vrouwelijk **10** aan op de hydraulische slang - Retour **24**. Dit zal de druk van de retourkant van de zuiger **18** aflaten en zorgen voor een gemakkelijkere verwijdering van de achterste dichtingspakking **16**. Opmerking: Er zal hydraulische olie uit de reserve snelkoppeling – mannelijk komen
- Plaats drie M4-schroeven in de achterste dichtingspakking **16** en gebruik ze het deel van de achterste as van de zuiger **18** los te trekken en het uit de behuizing **1** te trekken.
- Verwijder de O-Ring **31** en de spiraalvormige backup-ring **30** met een kleine schroevendraaier uit de externe groef in de achterste dichtingspakking **16** en gooi ze weg. Zorg er tijdens het verwijderen van de dichtingen voor dat het oppervlak van de achterste dichtingspakking niet wordt beschadigd door de schroevendraaier.

- Verwijder de stangdichting **29** en de schraperdichting **33** uit de interne groeven op de achterste dichtingspakking **16** en gooi deze weg. Zorg er tijdens het verwijderen van de dichtingen voor dat het oppervlak van de achterste dichtingspakking niet wordt beschadigd door de schroevendraaier.
- Verwijder de achterste lagerring **32** en controleer het onderdeel op slijtage en beschadiging. Indien noodzakelijk weggooien.
- Haal het blindklinknagelgereedschap uit de bankschroef en laat de hydraulische olie uit de achterkant van het gereedschap lopen. Verwijder de reserve \*Snelkoppeling – Mannelijk van de snelkoppeling – Vrouwelijk **10** op de hydraulische slang - Retour **24**.

Alle vetgedrukte nummers verwijzen naar de algemene montage- en onderdelenlijst op pagina's 18, 19 en 20.

- \* Onderhoudskit op pagina 13
- Koppel de reserve \*Snelkoppeling – Vrouwelijk naar de snelkoppeling – Mannelijk **9** aan op de hydraulische slang - Retour **25**. Hierdoor zal de druk van de aantrekzijde van de zuiger **18** vrijkomen, waardoor het eenvoudiger is om de eindkap van de zuiger te verwijderen. Opmerking: Er zal hydraulische olie uit de reserve snelkoppeling – vrouwelijk komen.
- Schroef de \*Zuigerkogel - voorkant op de voorkant van de zuiger **18**.
- Plaats de behuizing **1** met de neus naar boven op een werkbank. Daarna met een zachte hamer, de zuiger **18** naar de achterzijde van de behuizing tikken, waarbij u voorzichtig te werk gaat zodat de opening van de behuizing niet wordt beschadigd.
- Merk op dat er tijdens het verwijderen van de zuiger **18**, olie uit de trekzijde van de zuiger **18** zal lekken via de voor- en de achterkant van de behuizing **1**.
- Tijdens het verwijderen van de zuiger **18**, kan de voorste dichtingspakking **17** aan de zuigeras bevestigd blijven. In dat geval dient de \*Zuigerkogel - Voorkant losgeschroefd te worden en de voorste stopbuspakking van de zuiger afgetrokken te worden.
- Verwijder de zuigerdichting **35** en de twee anti-extruseringen **34** met een kleine, platte schroevendraaier uit de externe groef op de zuiger **18** en gooi deze weg. Wees bij het verwijderen van de afdichtingen voorzichtig zodat het oppervlak van de zuiger niet door de schroevendraaier wordt beschadigd.
- Als de voorste dichtingspakking **17** in de behuizing **1** blijft zitten. Plaats de neus van de behuizing op een werkbank en duw vervolgens vanaf de voorzijde de voorste stopbuspakking terug, tot deze uit de uitsparing in de behuizing komt. De voorste stopbuspakking kan vervolgens aan de achterzijde van de behuizing worden uitgenomen. Wees bij het verwijderen voorzichtig zodat de uitsparing resp. opening van de behuizing niet wordt beschadigd.
- Verwijder de O-Ring **38** en de spiraalvormige backup-ring **39** met een kleine schroevendraaier uit de externe groef in de voorste dichtingspakking **17** en gooi ze weg. Wees bij het verwijderen van de afdichtingen voorzichtig zodat het oppervlak van de voorste stopbuspakking niet door de schroevendraaier wordt beschadigd.
- Verwijder de stangdichting **36** en de schraperdichting **40** uit de interne groeven op de voorste dichtingspakking **17** en gooi deze weg. Wees bij het verwijderen van de afdichtingen voorzichtig zodat het oppervlak van de voorste stopbuspakking niet door de schroevendraaier wordt beschadigd.
- Verwijder de voorste lagerring **37** en controleer het onderdeel op slijtage en beschadiging. Indien noodzakelijk weggooien.
- Verwijder de reserve \*Snelkoppeling – Vrouwelijk van de snelkoppeling – Mannelijk **9** op de hydraulische slang - Retour **25**.

#### **De demontage in omgekeerde volgorde uitvoeren, waarbij gelet moet worden op de volgende punten:**

- Reinig alle onderdelen vóór montage.
- Breng om de montage van dichtingen te vergemakkelijken een lichte coating van Molykote® 111-vet aan op alle dichtingen, groeven van dichtingen, backup-ringen en de montagegereedschappen.
- Schuif de O-Ring **38** over de voorste dichtingspakking **17** en in de externe groef. Steek de spiraalvormige reservering **39** in dezelfde groef, vóór de geplaatste O-ring. Zie de Algemene montage en Onderdelenlijst voor de juiste oriëntatie van de O-ring en spiraalvormige reservering.

- Druk de voorste lagerring **36** in de interne uitsparing in de voorste dichtingspakking **17** en plaats vervolgens de stangdichting **36** achter de voorste lagerring. Plaats de schraperafdichting **40** in de voorste uitsparing van de voorste stopbuspakking. Zie Algemene montage voor de juiste oriëntatie van de stangafdichting en schraperafdichting.
- Smeer het oppervlak en de voorste rand van de boring van de behuizing **2**, waarin de voorste dichtingspakking **17** geplaatst wordt, in met Molykote® 111-vet.
- Smeer het insteekteinde op de \*gereedschap voor de stang van de voorste pakkinggeleider in en plaats vervolgens de voorste dichtingspakking **17**, de stangafdichting **36** met het einde eerst volledig over het insteekteinde. Steek de \*geleidingsstang van de voorste pakking in de achterkant van de behuizing **1** en duw vervolgens de voorste dichtingspakking volledig in de boring in de behuizing. Het gebruik van een duwmechanisme of bankschroef kan noodzakelijk zijn, omdat het in de behuizing steken van de voorste stopbuspakking heel wat kracht vraagt. Verwijder het \*gereedschap voor de geleiderstang voor de voorste stopbus, terwijl tegelijkertijd wordt gecontroleerd dat de voorste stopbuspakking op zijn plaats blijft zitten.
- Smeer de dichtingsgroef en de grote externe diameter van de zuiger **18** met Molykote® 111-vet. Schuif de zuigerafdichting **35** over de voorkant van de grootste diameter van de zuiger en in de groef van de afdichting. Plaats twee anti-extruseringen **34** in de groef van de zuigerafdichting, aan beide zijden van de zuigerafdichting.
- Schroef de \*zuigerkogel - voorkant op de voorkant van de zuiger **18**. Smeer de \*zuigerkogel - voorkant, de zuigeras en de zuigerdichting **35** in met Molykote® 111-vet.

Alle vetgedrukte nummers verwijzen naar de algemene montage- en onderdelenlijst op pagina's 18, 19 en 20.

\* Onderhoudskit op pagina 13

- Schroef de \*geleidingsleuf van de zuiger volledig op de achterkant van de behuizing **1**. Smeer de openingen in zowel de behuizing als de \*Zuigergeleidehuls met Molykote® 111-vet.
- Koppel de reserve \*Snelkoppeling – Vrouwelijk naar de snelkoppeling – Mannelijk **9** aan op de hydraulische slang - Trek **25**. Dit zal ervoor zorgen dat er lucht wordt vrijgelaten van de trekzijde van de zuiger **18** tijdens het plaatsen van de zuiger.
- Plaats de gemonteerde zuiger **18** in de achterkant van de behuizing **1** en door de gemonteerde voorste dichtingspakking **17**. Duw de zuiger naar de volledig voorste positie, tot het tegen de voorste stopbuspakking stopt. Er zal hydraulische olie worden verdreven uit de hydraulische slang - Trek **25**.
- Verwijder de reserve \*Snelkoppeling – Vrouwelijk van de snelkoppeling – Mannelijk **9** op de hydraulische slang - Retour **25**. Verwijder de \*Zuigergeleidehuls uit de achterkant van de behuizing **1**.
- Schuif de O-Ring **31** over de achterste dichtingspakking **16** en in de externe groef. Steek de spiraalvormige reservering **30** in dezelfde groef, achter de geplaatste O-ring. Zie de Algemene montage en Onderdelenlijst voor de juiste oriëntatie van de O-ring en spiraalvormige reservering.
- Druk de achterste lagerring **32** in de interne uitsparing in de achterste dichtingspakking **16** en plaats vervolgens de stangdichting **29** achter de achterste lagerring. Plaats de schraperdichting **33** in de achterste uitsparing van de achterste dichtingspakking. Zie Algemene montage voor de juiste oriëntatie van de stangafdichting en schraperafdichting.
- Klem de handgreep van het gereedschap in een werkbank met zachte klauwen, met de neus van het gereedschap naar beneden.
- Smeer het oppervlak en de voorste rand van de boring van de behuizing **1**, waarin de achterste dichtingspakking **16** geplaatst wordt, in met Molykote® 111-vet. Smeer de as van de achterste zuiger **18** met Molykote® 111-vet.
- Plaats de \*zuigerkogel – achterkant in de as van de achterste zuiger **18** en smeer deze in met Molykote® 111-vet.
- Vul de achterkant van de behuizing **1** met Enerpac® HF hydraulische olie. Het oliepeil moet net boven de inlatopening aan de achterkant van de behuizing zijn.
- Koppel de reserve \*Snelkoppeling - Mannelijk naar de snelkoppeling – Vrouwelijk **10** aan op de hydraulische slang – Retour **24**. Dit zal ervoor zorgen dat er lucht wordt vrijgelaten van de retourzijde van de zuiger **18** tijdens het plaatsen van de achterste dichtingspakking **16**. Opmerking: Er kan hydraulische olie uit de reserve snelkoppeling – vrouwelijk komen.

- Plaats de achterste dichtingspakking **16** over de \*zuigerkogel – Achterkant. Duw vervolgens de achterste dichtingspakking over de as van de zuiger **18** en in de achterkant van de behuizing **1**. Duw de achterste dichtingspakking in de behuizing tot er nog wat schroefdraad zichtbaar is aan de achterkant van de behuizing. Wees voorzichtig om de O-Ring **31** en de spiraalvormige backup-ring **30** op de schroefdraden niet te beschadigen tijdens het plaatsen van de achterste dichtingspakking.
- Smeer zowel de interne schroefdraad in de behuizing **1** als de externe schroefdraad op de eindkap **15** in met MolyLithium-vet.
- Schroef de eindkap **15** volledig in de achterkant van de behuizing **1** met het \*gereedschap voor montage van de eindkap. Tijdens deze handeling zal de achterste dichtingspakking **16** op zijn plaats worden geduwd in de behuizing **1** en zal er een kleine hoeveelheid olie ontsnappen uit de hydraulische slang - Retour **24**.
- Verwijder de reserve \*Snelkoppeling - Mannelijk van de snelkoppeling - Vrouwelijk **11** op de hydraulische slang - Retour **24**.
- Duw de deflector **3** op de eindkap **15**.
- Behandel het blindklinknagelgereedschap zoals wordt beschreven in Voorbereiding voor gebruik op pagina **10**.

#### Montage van de slang:

- Verwijder de twee schroeven **8** uit de slangklem **13** met een 3,0 mm inbussleutel. Verwijder de slangklem en het kleminzetstuk 26 van de beschermende hoes **27** en de hydraulische slangen - Retour **24** en trek **25**.
- Druk het tussenstuk van de handgreep **7** met een kleine platte schroevendraaier in de handgreep van mal **11** en **12**. Het tussenstuk voor de handgreep over de beschermende huls **27**, hydraulische slang - Terugtrekken **24** en Aantrekken **25** en verwijderen.
- Schroef, met een 3,0 mm inbussleutel (en 7,0 mm spanner op de onderste moer) de vier schroeven **20** los die de mallen van de handgreep **11** en **12** samenhouden en verwijder ze.  
Alle vetgedrukte nummers verwijzen naar de algemene montage- en onderdelenlijst op pagina's 18, 19 en 20.  
\* Onderhoudskit op pagina 13
- De trekker **6** is aan de bedieningskabel gesoldeerd. Verwijder deze samenstelling van de handgrepen **11** en **12**. De kabelwartel **22** maakt deel uit van deze samenstelling.
- Snij de kabelbinder **43** en schuif de beschermende huls **27** terug om de koppelingen op de hydraulische slangen **24** en **25** bloot te leggen. De hydraulische slangen kunnen van de behuizing **1** worden verwijderd met 12 mm en 14 mm steeksleutels.
- De snelkoppelingen - mannelijk **9** en vrouwelijk **10** kunnen van de hydraulische slangen **24** en **25** verwijderd worden met 18mm en 24mm spanners.

#### De demontage in omgekeerde volgorde uitvoeren, waarbij gelet moet worden op de volgende punten:

- Reinig vóór montage alle schroefdraden van de snelkoppeling – mannelijk **9** en vrouwelijk **10** en de hydraulische slangen - Retour **24** en trek **25**. Vervolgens twee tot drie lagen 10 mm PTFE-tape aanbrengen op de mannelijke schroefdraad van beide hydraulische slangen.
- Bereid het gereedschap voor volgens de instructies op pagina 10 zodra het gemonteerd is.

#### 5,8 HET MILIEU BESCHERMEN

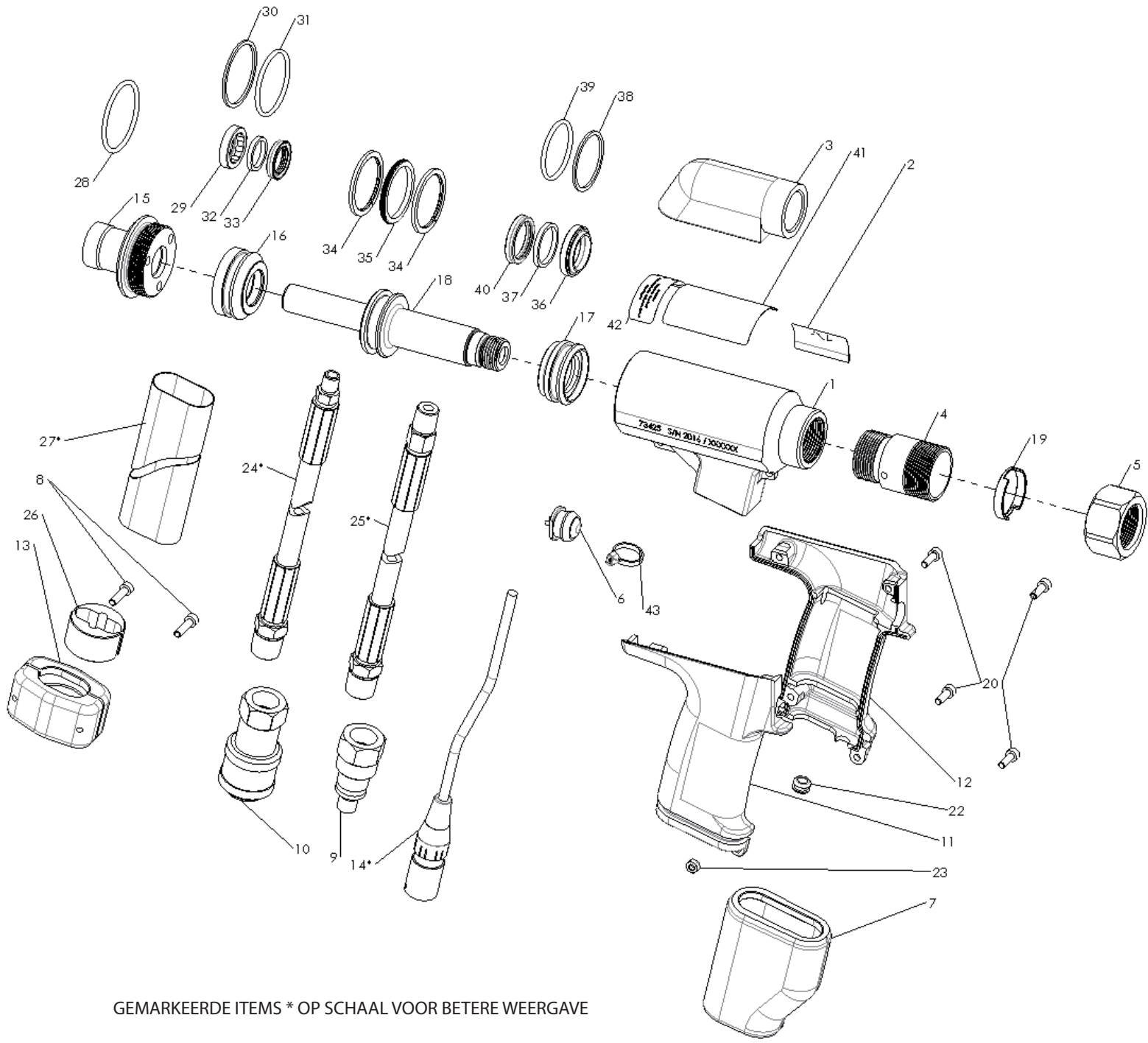
- Volg de van toepassing zijnde afvoervorschriften. Alle afvalproducten moeten worden afgevoerd naar een goedgekeurde afvalvoorziening of soortgelijke locatie, zodat het personeel en het milieu niet aan risico's worden blootgesteld.

Alle **vetgedrukte** nummers verwijzen naar de algemene montage- en onderdelenlijst op pagina's 18, 19 en 20.

\* Onderhoudskit op pagina 13.

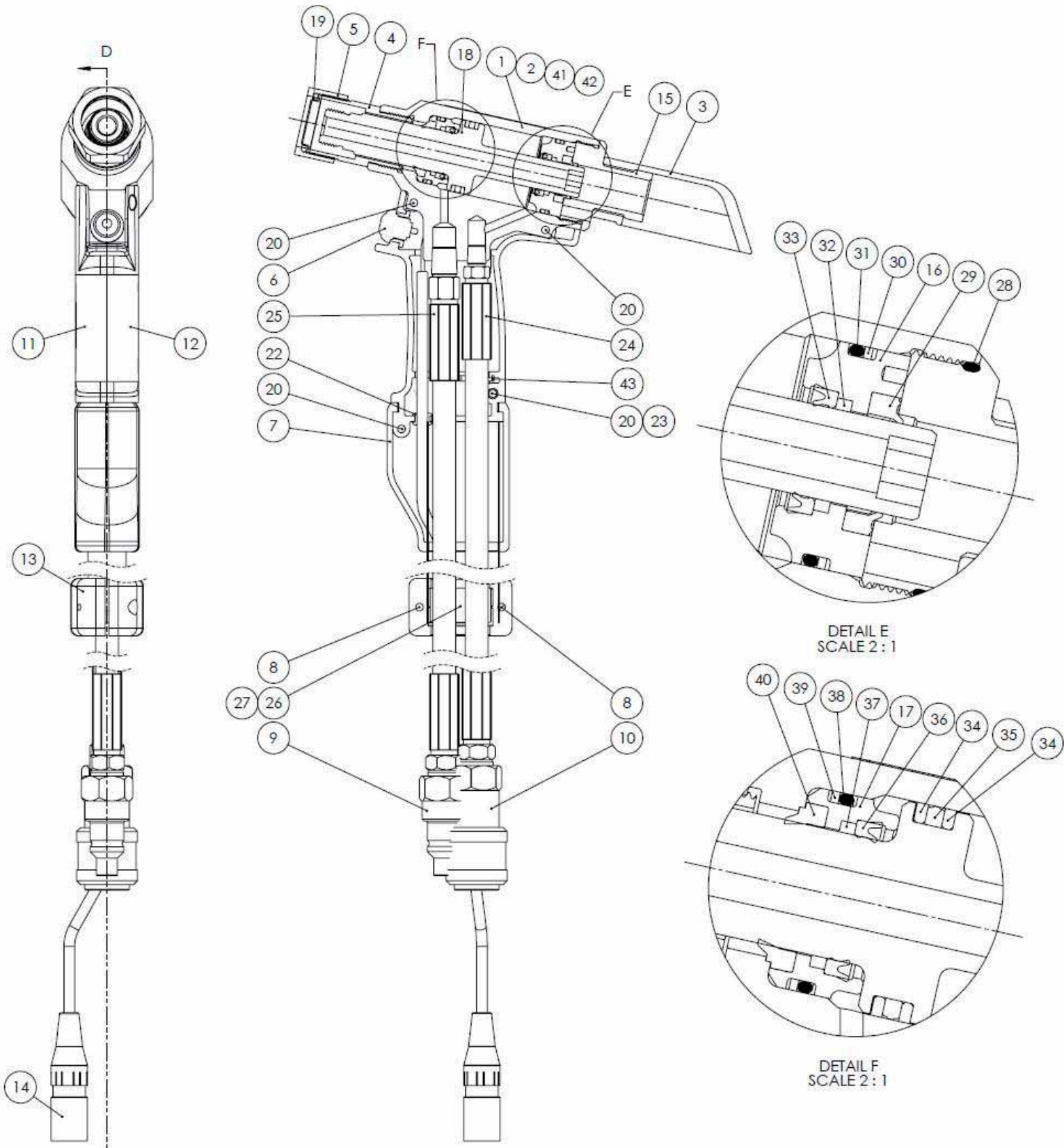
## 6. ALGEMENE MONTAGE- EN ONDERDELENLIJST

### 6.1 ALGEMENE MONTAGE



GEMARKEERDE ITEMS \* OP SCHAAL VOOR BETERE WEERGAVE







## 6.2 ONDERDELENLIJST

73425-02000		ONDERDELENLIJST	
ONDERDE- EL Nr.	ONDERDEELNUMMER	BESCHRIJVING	AANTAL
1	73425-02003	AV®5-kop	1
2	73425-02014	AV®5-label	1
3	73200-02030	Buiger	1
4	73200-02041	Adapter	1
5	73200-02042	Borgmoer	1
6	73425-02013	Bedieningsschakelaar	1
7	73430-02020	Tussenstuk voor de handgreep	1
8	07001-00686	M4-inbusdopschroef	2
9	07005-10118	Snelkoppeling - mannelijk	1
10	07005-10120	Snelkoppeling - vrouwelijk	1
11	73425-02009	Mal hendel - Links	1
12	73425-02015	Mal hendel - Rechts	1
13	73430-02023	Slangklem	1
14	07007-02105	Bedieningskabel	1
15	73425-02007	Eindkap	1
16	73425-02006	Achterste dichtingspakking	1
17	73425-02005	Voorste stopbuspakking	1
18	73425-02011	Hoofdzuiger	1
19	73200-02043	Adaptring	1
20	07001-00688	M4-inbusdopschroef	4
22	07007-02140	Doorvoerrubber	1
23	07002-00134	M4 moer	1
24	07005-10119	Hydraulische slang - Terugtrekken	1
25	07005-10117	Hydraulische slang - Aantrekken	1
26	73430-02024	Klem - tussenstuk	1
27	07005-10121	Beschermende huls	0,4m
28	07003-00308	O-ring	1
29	07003-00442	Schraperafdichting	1
30	07003-00527	Spiraalvormige backup-ring	1
31	07003-00526	O-ring	1
32	73430-02010	Achterste lagerring	1
33	07003-00441	Stangafdichting	1
34	07003-00521	Anti-extrusiering	2
35	07003-00520	Zuigerafdichting	1
36	07003-00523	Stangafdichting	1
37	73200-03104	Lagerring	1
38	07003-00524	O-ring	1
39	07003-00525	Spiraalvormige backup-ring	1
40	07003-00522	Schraperafdichting	1
41	73425-02016	Veiligheidslabel	1
42	07007-01504	CE-label	1
43	07007-02032	Kabelbinder	1

## 7. VEILIGHEIDSINFORMATIE

### 7.1 Enerpac® HF HYDRAULISCHE OLIE - VEILIGHEIDSGEGEVENS

#### EERSTE HULP

##### HUID:

Veroorzaakt geen ernstige schade aan de huid bij kortstondig of incidenteel contact, maar blootstelling gedurende langere tijd kan leiden tot huidontsteking. De huid zo snel mogelijk met water en zeep grondig wassen voor zover praktisch mogelijk. Verwijder sterk vervuilde kleding en was de onderliggende huid.

##### MOND:

Veroorzaakt waarschijnlijk geen letsel bij toevallig inslikken in kleine hoeveelheden, maar bij grotere hoeveelheden kan het misselijkheid en diarree veroorzaken. Als er aantasting van de mond plaatsvindt, spoel dan grondig met water. Tenzij een bewuste handeling, is de inname van grote hoeveelheden van het product onwaarschijnlijk. Mocht dit voorkomen, probeer dan niet te braken en raadpleeg onmiddellijk een arts. Breng de persoon direct naar het dichtstbijzijnde arts.

##### OGEN:

Het is onwaarschijnlijk dat het meer veroorzaakt dan tijdelijk prikken en roodheid van de ogen als er toevallig contact met de ogen plaatsvindt. Was de ogen grondig met veel water, hierbij de oogleden open houdend. Raadpleeg een arts als de pijn of roodheid aanhoudt of verergert.

##### MEDISCH ADVIES:

Behandeling moet over het algemeen symptomatisch zijn en zijn gericht op het verzachten van de gevolgen.

##### Opmerking: Hogedruktoepassingen:

Injecties via de huid, als gevolg van contact met het product onder hoge druk, veroorzaken een belangrijk medisch noodgeval. Letsels kunnen in het begin misschien niet ernstig lijken, maar binnen enkele uren gaat het weefsel zwellen, verkleuren en wordt het extreem pijnlijk met uitgebreide onderhuidse necrose.

Dit moet zonder uitstel chirurgisch onderzocht worden. Een grondig en uitgebreid debridement van de wonde en het onderliggende weefsel, is noodzakelijk om weefselverlies te minimaliseren en permanente beschadiging te voorkomen of beperken. Merk op dat hoge druk het product aanzienlijke afstanden in weefseloppervlakken kan drukken.

#### VERWIJDERING

Ruim alle lekken op met inert absorberend materiaal. Ventileer de omgeving waar is gemorst. Plaats verontreinigde materialen in een afvalcontainer en verwijder ze conform de lokale regelgeving.

#### BRAND

VLAMPUNT: 200°C.

Blussen met droog chemisch blusmiddel, schuim of koolstofdioxide. Ga niet naar binnen in een afgesloten ruimte zonder onafhankelijke ademhalingsapparatuur.

#### BEHANDELING

Gebruik beschermende crème of oliebestendige handschoenen.

#### OPSLAG

Afgedekt en in overeenstemming met lokale regelgeving op het gebied van brandbaar materiaal.

### 7.2 MOLYLITHIUM VET EP 3753 - VEILIGHEIDSINFORMATIE

Vet kan worden besteld als een enkel item, het onderdeelnummer worden weergegeven op pagina 12 van de onderhoudskit.

#### EERSTE HULP

##### HUID:

Omdat het vet volledig waterbestendig is, kan het het beste worden verwijderd met een goedgekeurde emulgerende huidreiniger.

##### INSLIKKEN:

Drink 30 ml Magnesiummelk, bij voorkeur in een beker melk.

##### OGEN:

Irriterend maar niet schadelijk. Spoel de ogen met water en raadpleeg een arts.

#### BRAND

VLAMPUNT: Boven 220 °C.

Niet geclassificeerd als brandbaar.

Geschikt blusmateriaal: CO<sub>2</sub> Halon of waternevel indien toegepast door een ervaren gebruiker.

#### MILIEU

Ruim het zoveel mogelijk op zodat het kan worden verbrand of worden verwerkt op een goedgekeurde locatie.

#### BEHANDELING

Gebruik beschermende crème of oliebestendige handschoenen

**OPSLAG**

Uit de buurt van warmte en oxiderende stoffen

**7.3 MOLYKOTE® 111-VET - VEILIGHEIDSGEGEVENS**

Vet kan worden besteld als een enkel item, het onderdeelnummer worden weergegeven op pagina 12 van de onderhoudskit.

**EERSTE HULP**

HUID:

Er is geen eerste hulp nodig.

INSLIKKEN:

Er is geen eerste hulp nodig.

OGEN:

Er is geen eerste hulp nodig.

INADEMING:

Er is geen eerste hulp nodig.

**BRAND**

VLAMPUNT: Boven 101,1°C. (gesloten kom)

Explosieve eigenschappen: NEE

Geschikt blusmateriaal: Kooldioxideschuim, droog poeder of waternevel. Aan vuur blootgestelde containers kunnen worden gekoeld met water.

**MILIEU**

Negatieve effecten worden niet voorzien.

**BEHANDELING**

Algemene ventilatie wordt aanbevolen. Vermijd huidcontact.

**OPSLAG**

Niet opslaan bij oxiderende stoffen. Houd container gesloten en sla deze niet op bij water of vocht.

## 8. FOUTDIAGNOSE

SYMPTOOM	MOGELIJKE OORZAAK	OPLOSSING	PAGINA REF.
Het blindklinknagelgereedschap werkt niet	Niet werkende pomp	Controleer de toevoer naar de pomp en lees de gebruiksaanwijzing van de pomp	
	Defecte snelkoppelingen <b>9</b> en <b>10</b>	Vervang de snelkoppelingen	19
	Besturingskabel bedieningsschakelaar <b>14</b> niet correct aangesloten	Controleer of de besturingskabel goed op de pomp en het blindklinknagelgereedschap is aangesloten	10
	Beschadigde trekkerschakelaar <b>6</b> of bedieningskabel <b>14</b>	Vervang de bedieningsschakelaar en/of besturingskabel	19
Trekkerschakelaar <b>7</b> werkt niet	Pomp in lokale modus	Zie de gebruiksaanwijzing van de pomp	
	Bedieningsschakelaar <b>6</b> , besturingskabel <b>14</b> of verbindingstuk beschadigd	Vervang de bedieningsschakelaar en/of besturingskabel	19
De pomp draait maar het blindklinknagelgereedschap werkt niet	Hydraulische slangen niet aangesloten	Controleer de juiste aansluitingen aan de pomp en het blindklinknagelgereedschap	10
	Laag oliepeil	Zorg ervoor dat het blindklinknagelgereedschap met olie is gevuld en goed is voorbehandeld Zie de gebruiksaanwijzing van de pomp	10
	Externe lekkage van olie van het blindklinknagelgereedschap	Inspecteer het blindklinknagelgereedschap – vervang versleten of beschadigde componenten	14 - 17
	Externe lekkage van olie van de slangenset	Inspecteer de slangenset - controleer of de slangverbindingen goed vastzitten en/of vervang versleten slangverbindingstukken	19
	Interne/externe lekkage van olie van de pomp	Zie de gebruiksaanwijzing van de pomp	
Het blindklinknagelgereedschap werkt onregelmatig	Lage of onregelmatige toevoer van hydraulische druk	Zie de gebruiksaanwijzing van de pomp	
	Versleten of beschadigde hydraulische afdichtingen in het blindklinknagelgereedschap	Inspecteer het blindklinknagelgereedschap – vervang versleten of beschadigde afdichtingen	14 - 17
	Versleten of beschadigde oppervlakken van de hydraulische afdichtingen in het blindklinknagelgereedschap	Inspecteer het blindklinknagelgereedschap – vervang versleten of beschadigde componenten	14 - 17
	Interne/externe lekkage van olie van de pomp	Zie de gebruiksaanwijzing van de pomp	
Pomp bouwt volledige druk op, maar de achterkant van de pen breekt niet	Lastscheiding is hoger dan het vermogen van het blindklinknagelgereedschap op volledig vermogen	Vervangen conform de specificatie van het blindklinknagelgereedschap	7
	Toevoer naar het blindklinknagelgereedschap geblokkeerd	Controleer snelkoppelingen <b>9</b> en <b>10</b> op volledige vastheid	10
	Waarde van de drukontlasting van de pomp te laag ingesteld	Instellingen van de drukontlastingsklep aanpassen - zie de gebruiksaanwijzing van de pomp	
	Aantregroeven op de achterkant van de pen van de blindklinknagel verdwenen	Zie symptoom op pagina 24	11
	Onjuiste bediening van het gereedschap		11

SYMPTOOM	MOGELIJKE OORZAAK	OPLOSSING	PAGINA REF.
Zuiger van het blindklinknagelgereedschap <b>1</b> keert niet terug	Retourstroom beperkt of geblokkeerd	Controleer de snelkoppelingen <b>9</b> en <b>10</b> op volledige werking en/of defect	10
	Hydraulische slangen niet aangesloten	Controleer de juiste aansluitingen aan de pomp en het blindklinknagelgereedschap	10
	Storing of defect pompklep	Zie de gebruiksaanwijzing van de pomp	
Het blindklinknagelgereedschap werpt de kraag niet uit van het aambeeld	Instelling van de terugslag-timer van de pomp onjuist - te laag ingesteld	De terugslag-timer aanpassen naar de aanbevolen instelling - zie de gebruiksaanwijzing van de pomp	
	Waarde van de terugslag-drukcontlastingsklep van de pomp te laag ingesteld	Instellingen van de terugslag-drukcontlastingsklep wijzigen naar de juiste instelling - zie de gebruiksaanwijzing van de pomp	
	Lage of onregelmatige toevoer van hydraulische druk	Zie de gebruiksaanwijzing van de pomp	
	Versleten of beschadigde hydraulische afdichtingen in het blindklinknagelgereedschap	Inspecteer het blindklinknagelgereedschap – vervang versleten of beschadigde afdichtingen	14 - 17
	Versleten of beschadigde oppervlakken van de hydraulische afdichtingen in het blindklinknagelgereedschap	Inspecteer het blindklinknagelgereedschap – vervang versleten of beschadigde componenten	14 - 17
	Interne/externe lekkage van olie van de pomp	Zie de gebruiksaanwijzing van de pomp	
Trekt groeven in achterkant van de pen van de bevestiging gestript tijdens installatie	Gebruiker heeft voorafgaand aan het gebruik van het gereedschap, de neus niet volledig op de achterkant van de pen van de blindklinknagel aangebracht	Instrueer de gebruiker over de juiste methode van het plaatsen	11
	Onjuiste lengte bevestiging/lengte handgreep Versleten of beschadigde klauwdelen	Gebruik de juiste bevestiging Controleer en vervang de klauwset – raadpleeg het gegevensblad van de neusstukken	11
	Verontreiniging in de kopsegmenten en/of groeven van de achterkant van de pen	Reinig de kopsegmenten – zie de datasheet van het neusstuk	
	Overmatige plaatopening	Sluit de opening tussen de twee bladen	11
Avdelok®- of Avbolt®-kraag niet volledig vastgeklonken	Onjuiste bediening van het gereedschap		11
	Versleten opening van het aambeeld	Controleer en vervang het aambeeld – zie de datasheet van het neusstuk	
De achterkant van de pen komt niet vrij van het neusstuk	Onjuiste montage van het neusstuk	Zie de datasheet van het neusstuk	
Het blindklinknagelgereedschap en de hydraulische olie worden heet	Beperking in de hydraulische leiding	Controleer de hydraulische snelkoppelingen <b>9</b> en <b>10</b> en vervang indien nodig	19
	Hoge omgevingstemperatuur		
Hydraulische snelkoppelingen <b>9</b> en <b>10</b> lekken olie	Versleten O-ring in de behuizing van de snelkoppeling - mannelijk <b>9</b>	Vervang de O-ring en reservering in de snelkoppeling <b>9</b>	19

Alle **vetgedrukte** nummers verwijzen naar de algemene montage- en onderdelenlijst op pagina's 18, 19 en 20.

\* Onderhoudskit op pagina 13.

## 9. CE CONFORMITEITSVERKLARING

Wij, **Stanley Engineered Fastening, Stanley House, Works Road, Letchworth Garden City, Hertfordshire, SG6 1JY UNITED KINGDOM**, verklaart, uitsluitend op eigen verantwoordelijkheid, dat het product:

**Beschrijving:** HYDRO-ELEKTRISCH GEREEDSCHAP

**Model:** AV<sup>®</sup> 5 STRUCTUREEL GEREEDSCHAP – 73425-02000

waarop deze verklaring van toepassing is, voldoet aan de volgende geharmoniseerde standaarden:

ISO 12100:2010	EN ISO 3744:2010
EN ISO 11202:2010	EN ISO 11148-1:2011
EN ISO 4413:2010	EN ISO 20643:2008+A1:2012
EN ISO 4414:2010	ES100118-rev 17:2017
EN ISO 28927-5:2009+A1:2015	

De technische documentatie is opgesteld overeenkomstig bijlage 1, sectie 1.7.4.1, in navolging van de volgende richtlijn: **2006/42/EC De machinerichtlijn** (Statutaire instrumenten 2008 Nr 1597 - Het toepassingsgebied van machine (veiligheids) regelgeving verwijst).

Ondergetekende legt deze verklaring af namens STANLEY Engineered Fastening



**A. K. Seewraj**

**Director of Engineering, VERENIGD KONINKRIJK**

Avdel UK Limited, Stanley House, Works Road, Letchworth Garden City, Hertfordshire, SG6 1JY VERENIGD KONINKRIJK

**Plaats van afgifte:** Letchworth Garden City, VERENIGD KONINKRIJK

**Afgiftedatum:** 24-08-2021

Ondergetekende is verantwoordelijk voor de samenstelling van de technische documentatie voor producten die binnen de Europese Unie worden verkocht en stelt deze verklaring op uit naam van Stanley Engineered Fastening.

**Matthias Appel**

**Team Leader Technical Documentation**

Stanley Engineered Fastening, Tucker GmbH, Max-Eyth-Str.1, 35394 Gießen, Duitsland



Deze machine is in overeenstemming met  
Machinerichtlijn 2006/42/EG

**STANLEY**  
Engineered Fastening

## 10. VK VERKLARING VAN OVEREENSTEMMING

Wij, **Stanley Engineered Fastening, Stanley House, Works Road, Letchworth Garden City, Hertfordshire, SG6 1JY UNITED KINGDOM**, verklaart, uitsluitend op eigen verantwoordelijkheid, dat het product:

**Beschrijving:** **HYDRO-ELEKTRISCH GEREEDSCHAP**

**Model:** **AV<sup>®</sup> 5 STRUCTUREEL GEREEDSCHAP – 73425-02000**

waarop deze verklaring van toepassing is, voldoet aan de volgende geharmoniseerde standaarden:

ISO 12100:2010	EN ISO 3744:2010
EN ISO 11202:2010	EN ISO 11148-1:2011
EN ISO 4413:2010	EN ISO 20643:2008+A1:2012
EN ISO 4414:2010	ES100118-rev 17:2017
EN ISO 28927-5:2009+A1:2015	

De technische documentatie is opgesteld in overeenkomst met de Levering van machineregelgeving (Veiligheid) 2008, S.I. 2008/1597 (zoals gewijzigd).

Ondergetekende legt deze verklaring af namens STANLEY Engineered Fastening



**A. K. Seewraj**

**Director of Engineering, VERENIGD KONINKRIJK**

Avdel UK Limited, Stanley House, Works Road, Letchworth Garden City, Hertfordshire, SG6 1JY VERENIGD KONINKRIJK

**Plaats van afgifte:** **Letchworth Garden City, VERENIGD KONINKRIJK**

**Afgiftedatum:** **24-08-2021**



Deze machine is in overeenstemming met  
Veiligheidsvoorschriften voor het beschikbaar  
stellen van machines 2008,  
S.I. 2008/1597 (zoals gewijzigd)



## 11. BESCHERM UW INVESTERING!

### **GARANTIE VOOR HET Stanley® Engineered Fastening BLINDKLINKNAGELGEREEDSCHAP**

STANLEY® Engineered Fastening garandeert dat alle elektrische gereedschappen zorgvuldig gefabriceerd zijn en dat ze vrij zullen zijn van defecten in materialen en vakmanschap, bij normaal gebruik en onderhoud, gedurende de periode van een (1) jaar.

Deze garantie heeft betrekking op de eerste aankoper van het gereedschap en enkel voor bedoeld gebruik.

#### **Uitzonderingen:**

##### **Normale slijtage.**

Periodiek onderhoud, reparaties en vervanging van onderdelen door normale slijtage en beschadiging vallen niet onder de garantie.

##### **Misbruik & verkeerd gebruik.**

Defecten of schade voortkomend uit onjuiste bediening, opslag, ruwe behandeling en verkeerd gebruik, ongelukken of verwaarlozing, zoals materiële beschadiging, vallen niet onder de garantie.

##### **Ongeautoriseerde service of aanpassingen.**

Defecten of schade voortvloeiend uit service, het testen van aanpassingen, installatie, onderhoud, wijzigingen of aanpassingen in welke vorm ook, die zijn uitgevoerd door iemand anders dan STANLEY® Engineered Fastening, of één van hun geautoriseerde servicecentra, vallen niet onder de garantie.

Alle andere garanties, expliciet of impliciet, inclusief enige garantie van verkoopbaarheid of geschiktheid voor een bepaald gebruik, zijn hierbij uitgesloten.

Mocht dit gereedschap niet aan de garantie voldoen, stuur het dan direct naar het geautoriseerde servicecentrum bij u in de buurt. Voor een lijst van STANLEY® Engineered Fastening erkende onderhoudscentra in de VS of Canada, bel ons op ons gratis nummer (877)364 2781.

Ga, buiten de VS en Canada, naar onze **website [www.StanleyEngineeredFastening.com](http://www.StanleyEngineeredFastening.com)** om de STANLEY Engineered Fastening-locatie het dichtst bij u in de buurt te vinden.

STANLEY Engineered Fastening zal dan onderdelen of onderdelen die door ons worden beschouwd als defect omwille van fouten in materiaal of vakmanschap, gratis vervangen en het gereedschap met voorafbetaling van kosten terugsturen. Dit geeft onze enige verplichting onder deze garantie weer.

In geen enkel geval kan STANLEY Engineered Fastening aansprakelijk worden gesteld voor gevolgschade of speciale schade die voortkomt uit de aanschaf of het gebruik van dit product.

#### **Registreer uw blindklinknagelgereedschap online.**

Registreer uw garantie online, ga naar

<https://www.stanleyengineeredfastening.com/support/warranty-registration-form>

Bedankt om te kiezen voor gereedschap van STANLEY® Engineered Fastening's Stanley Assembly Technologies.

©2021 af STANLEY Black & Decker-mærke  
Alle rettigheder forbeholdes.





Disse oplysninger må ikke gengives og/eller offentliggøres gennem nogen medier (trykte eller elektroniske), uden forudgående skriftlig tilladelse fra STANLEY Engineered Fastening. De foreliggende oplysninger er baseret på de data, der er kendt på tidspunktet for introduktionen af dette produkt. STANLEY Engineered Fastening fører en politik om løbende produktforbedringer, derfor kan og vil produkterne løbende blive ændret. De foreliggende oplysninger gælder for produktet, leveret af STANLEY Engineered Fastening. STANLEY Engineered Fastening kan derfor ikke stilles til ansvar for eventuelle skader, som følge af afvigelser fra de oprindelige produktspecifikationer.

Alle informationer er blevet udarbejdet med største omhu. STANLEY Engineered Fastening kan ikke stilles til ansvar for eventuelle fejl i oplysningerne, eller for konsekvenserne heraf. STANLEY Engineered Fastening kan ikke stilles til ansvar for skader som følge af aktiviteter, der gennemføres af tredjemand. Arbejdsnavne, firmanavne, registrerede varemærker osv., der anvendes STANLEY Engineered Fastening, kan ikke anvendes frit i henhold til bestemmelserne vedrørende beskyttelse af varemærker.

## INDHOLD

<b>1. SIKKERHEDSINSTRUKTIONER .....</b>	<b>3</b>
1.1 <i>GENEREL SIKKERHEDSREGEL</i> .....	3
1.2 <i>PROJEKTILFARER</i> .....	3
1.3 <i>DRIFTSFARER</i> .....	4
1.4 <i>FARER VED GENTAGENDE FARER</i> .....	4
1.5 <i>TILBEHØRSFARER</i> .....	4
1.6 <i>ARBEJDSPLADSFARER</i> .....	4
1.7 <i>STØJFARER</i> .....	5
1.8 <i>VIBRATIONSFARER</i> .....	5
1.9 <i>YDERLIGERE SIKKERHEDSINSTRUKTIONER FOR HYDRAULISKE ELVÆRKTØJER</i> .....	5
<b>2. SPECIFIKATION .....</b>	<b>6</b>
2.1 <i>TILSIGTET FORMÅL</i> .....	6
2.2 <i>VÆRKTØJSSPECIFIKATION</i> .....	6
2.3 <i>VÆRKTØJSDIMENSIONER</i> .....	7
<b>3. IBRUGTAGNING .....</b>	<b>8</b>
3.1 <i>DRIFTSPRINCIP</i> .....	8
3.2 <i>KLARGØRING TIL BRUG</i> .....	9
<b>4. BRUGSANVISNING .....</b>	<b>10</b>
4.1 <i>SÅDAN MONTERES EN AVBOLT®-NITTE</i> .....	10
4.2 <i>SÅDAN MONTERES EN AVDELOK® NITTE</i> .....	10
4.3 <i>SÅDAN MONTERES EN NEOBOLT®-NITTE</i> .....	11
<b>5. VEDLIGEHOLDELSE AF VÆRKTØJET .....</b>	<b>12</b>
5.1 <i>DAGLIG VEDLIGEHOLDELSE</i> .....	12

5.2	UGENTLIG VEDLIGEHOLDELSE .....	12
5.3	ÅRLIG SERVICE / HVER 250.000 DRIFTSOPERATIONER.....	12
5.4	SERVICEKIT .....	12
5.5	SERVICEVÆRKTØJER.....	12
5.6	HYDRAULISK OLIE .....	13
5.7	DEMONTERINGSINSTRUKTIONER.....	13
5.8	MILJØBESKYTTELSE.....	16
<b>6.</b>	<b>GENEREL SAMLING OG RESERVEDELSLISTE .....</b>	<b>17</b>
6.1	GENEREL SAMLING.....	17
6.2	RESERVEDELSLISTE.....	19
<b>7.</b>	<b>SIKKERHEDSDATA .....</b>	<b>20</b>
7.1	Enerpac® HF HYDRAULISK OLIE - SIKKERHEDSDATA .....	20
7.2	MOLYLITHIUM SMØREMIDDEL EP 3753 - SIKKERHEDSDATA .....	20
7.3	Molykote® 111 SMØREMIDDEL - SIKKERHEDSDATA.....	21
<b>8.</b>	<b>FEJLFINDING .....</b>	<b>22</b>
<b>9.</b>	<b>EU-OVERENSSTEMMELSESERKLÆRING .....</b>	<b>24</b>
<b>10.</b>	<b>UK OVERENSSTEMMELSESERKLÆRING .....</b>	<b>25</b>
<b>11.</b>	<b>BESKYT DIN INVESTERING!.....</b>	<b>26</b>

	Læg mærke til følgende sikkerhedssymboler. Læs manualen grundigt igennem, og vær opmærksom på følgende sikkerhedsadvarsler og -instruktioner.
	Brug altid slagfast øjebeskyttelse under betjening af værktøjet. Den påkrævede beskyttelsesgrad skal vurderes for hver brug.
	Brug af værktøjet kan udsætte operatørens hænder for farer, herunder knusning, slag, snit og slid og varme. Brug egnede handsker til beskyttelse af hænderne.
	Brug høreværn i overensstemmelse med arbejdsgiverens instruktioner og som påkrævet af arbejdsmiljøbestemmelser.

## 1. SIKKERHEDSINSTRUKTIONER

Definitionerne herunder beskriver alvoren for hvert enkelt signalord. Læs brugsvejledningen grundigt igennem, og vær opmærksom på disse symboler.



**FARE:** Angiver alvorlig skade eller i værste fald døden, hvis de respektive sikkerhedsinstruktioner ikke overholdes.



**ADVARSEL:** Angiver en potentiel farlig situation, som **kan** forårsage dødsfald eller alvorlige kvæstelser, hvis den ikke undgås.



**PAS PÅ:** Angiver en potentiel farlig situation, som **kan** forårsage mindre alvorlige eller moderate kvæstelser, hvis den ikke undgås.



**PAS PÅ:** En potentiel farlig situation **kan** opstå, hvis de angivne sikkerhedssymboler ikke respekteres eller overholdes.

**Forkert anvendelse eller vedligeholdelse af værktøjet, kan medføre alvorlige kvæstelser eller materielle skader. Læs og forstå derfor alle advarsler og symboler i brugsanvisningerne før værktøjet anvendes. Ved brug af luftværktøj skal alle grundlæggende sikkerhedsregler altid overholdes for at reducere risikoen for kvæstelser.**

### GEM ALLE ADVARSLER OG ANVISNINGER TIL SENERE BRUG.

#### 1.1 GENEREL SIKKERHEDSREGEL

- Med henblik på flere farer skal du læse og forstå sikkerhedsinstruktionerne, inden du installerer, betjener, reparerer, vedligeholder, skifter tilbehør på eller arbejder i nærheden af værktøjet. Ellers kan det resultere i alvorlig personskade.
- Kun kvalificerede og udlærte operatører må installere, justere eller bruge værktøjet.
- STANLEY Engineered Fastening blindnitteværktøjer må IKKE anvendes til andre formål end de tilsigtede formål.
- Brug kun reservedele, fastgørelseselementer og tilbehør anbefalet af STANLEY Engineered Fastening.
- Modifier IKKE værktøjet. Modifikationer kan reducere effektiviteten af sikkerhedsforanstaltninger og øge risiciene for operatøren. Enhver ændring af værktøjet foretaget af kunden, vil være kundens fulde ansvar og vil gøre alle gældende garantier ugyldige.
- Kassér ikke sikkerhedsinstruktionerne; giv dem til operatøren.
- Anvend ikke værktøjet, hvis det er blevet beskadiget.
- Kontrollér, om der forekommer fejltilpasninger, eller om bevægelige dele er bevægelige, beskadigelse eller andre forhold, der kan påvirke værktøjets funktion inden brug. Få værktøjet serviceret før brug, hvis det er beskadiget. Fjern alle justerings- og skruenøgler inden brug.
- Værktøjer skal efterses regelmæssigt for at kontrollere, at de tekniske data og mærkninger, der kræves af denne del af ISO 11148, er tydeligt markeret på værktøjet. Arbejdsgiveren/brugeren skal kontakte producenten for at anskaffe erstatningsmærkater efter behov.
- Værktøjet skal altid holdes i en god stand, og skal undersøges jævnligt for skader af en autoriseret reparatør. Enhver form for demontering må kun foretages af uddannet personale. Dette værktøj må ikke demonteres uden at konsultere vedligeholdelsesanvisningerne.

#### 1.2 PROJEKTILFARER

- Kobl værktøjet fra den hydrauliske pumpeenhed inden vedligeholdelse, justering, på- eller afmontering af et næsestykke eller tilbehør.
- Vær opmærksom på, at fejl i arbejdsemnet eller tilbehøret, eller endda af det indsatte værktøj, kan generere projektiler med høj hastighed.

- Brug altid slagfast øjebeskyttelse under betjening af værktøjet. Den påkrævede beskyttelsesgrad skal vurderes for hver brug.
- Risikoen for andre bør også vurderes på dette tidspunkt.
- Sørg for, at arbejdsemnet er ordentligt fastgjort.
- Kontroller, at beskyttelsesforanstaltningen mod udkast af nitter og/eller stift er på plads og fungerer.
- Advar mod den mulige tvangsudskydning af stifter fra værktøjets forside.
- Ret IKKE værktøjet mod andre personer, når det anvendes.

### 1.3 DRIFTSFARER

- Brug af værktøjet kan udsætte operatørens hænder for farer, herunder knusning, slag, snit og slid og varme. Brug egnede handsker til beskyttelse af hænderne.
- Operatører og vedligeholdelsespersonale skal være fysisk i stand til at håndtere værktøjets masse, vægt og styrke.
- Hold værktøjet korrekt; vær klar til at modvirke normale eller pludselige bevægelser, og hav begge hænder til rådighed.
- Hold altid værktøjshåndtaget rent for olie og snavs.
- Hold kroppen i balance, og hav et sikkert fodfæste under brug af værktøjet.
- Slip start-og-stop-enheden i tilfælde af afbrydelse af hydraulikforsyningen.
- Brug kun smøremidler anbefalet af producenten.
- Kontakt med hydraulisk væske bør undgås. Med henblik på at minimere risikoen for udslet bør man sørge for at skylle området grundigt, hvis der opstår kontakt.
- Sikkerhedsdatablade for alle hydrauliske olier og smøremidler er tilgængelige efter anmodning fra din værktøjsleverandør.
- Undgå uegnede stillinger, da det er sandsynligt, at disse stillinger ikke gør det muligt at modvirke normal eller uventet bevægelse af værktøjet.
- Hvis værktøjet er fastgjort til en ophængningsenhed, skal du sørge for, at fastgørelsen er sikker.
- Pas på risikoen for knusning eller klemning, hvis forstykke ikke er monteret.
- Værktøjet må IKKE betjenes, hvis forstykket er afmonteret.
- Inden anvendelsen skal der tages højde for, om der tilstrækkelig plads til at håndtere værktøjet med hænderne.
- Undgå at trykke på aftrækkeren, hvis værktøjet flyttes mellem arbejdspladser.
- Misbrug IKKE værktøjet, ved at tabe det eller anvende det som hammer.
- Pas på, at brugte stifter ikke udgør en fare.

### 1.4 FARER VED GENTAGENDE FARER

- Ved brug af værktøjet kan operatøren opleve ubehag i hænder, arme, skuldre, nakke eller andre dele af kroppen.
- Under brug af værktøjet skal operatøren indtage en behagelig stilling, samtidig med at der bevares et sikkert fodfæste og undgås akavede stillinger eller ubalance. Operatøren skal skifte stilling under længere opgaver; dette kan hjælpe med at undgå ubehag og træthed.
- Hvis operatøren oplever symptomer som vedvarende eller tilbagevendende ubehag, smerter, pulsering, ømhed, prikken, følelseløshed, brændende fornemmelser eller stivhed, må disse advarselstegn ikke ignoreres. Operatøren skal fortælle arbejdsgiveren og konsultere en kvalificeret sundhedsperson.

### 1.5 TILBEHØRSFARER

- Kobl værktøjet fra den hydrauliske og elektriske forsyning inden montering eller fjernelse af næsestykket eller tilbehøret.
- Brug kun tilbehør og forbrugsvarer af størrelser og typer, der anbefales af værktøjets producent; brug ikke tilbehør eller forbrugsvarer af andre typer eller størrelser.

### 1.6 ARBEJDSPLADSFARER

- De vigtigste årsager til personskader på arbejdspladsen er, hvis man glider, snubler og falder. Pas på glatte overflader forårsaget af brug af værktøjet samt fare for fald forårsaget af luftledning eller hydraulikslange.
- Vær forsigtig i ukendte omgivelser. Der kan være skjulte farer, såsom strømledninger eller andre forbrugsledninger.
- Værktøjet er ikke beregnet til brug i potentielt eksplosive omgivelser og er ikke isoleret mod kontakt med elektrisk strøm.
- Sørg for, at der ikke er strømkabler, gasrør osv., som kan medføre fare, hvis de beskadiges ved brug af værktøjet.
- Bær hensigtsmæssig påklædning. Undgå løst tøj og smykker. Hold hår, tøj og handsker væk fra bevægelige dele. Løstsiddende tøj, smykker eller langt hår kan blive fanget i bevægelige dele.
- Pas på, at brugte stifter ikke udgør en fare.

### 1.7 STØJFARER

- Eksponering for høje støjniveauer kan forårsage permanent, invaliderende høretab og andre problemer, såsom tinnitus (ringen, brummen, fløjten eller summen for ørerne). Derfor er det meget vigtigt at foretage risikovurdering og implementere passende kontroller for disse farer.
- Passende kontroller til at reducere risikoen kan omfatte handlinger såsom dæmpning af materialer for at forhindre, at arbejdsemner "ringer".
- Brug høreværn i overensstemmelse med arbejdsgiverens instruktioner og som påkrævet af arbejdsmiljøbestemmelser.
- Betjen og vedligehold værktøjet som anbefalet i brugsanvisningen for at forhindre unødvendig stigning i støjni-veauet.

### 1.8 VIBRATIONSFARER

- Eksponering for vibrationer kan forårsage invaliderende skader på nerverne og blodforsyningen af hænder og arme.
- Tag varmt tøj på, når du arbejder under kolde forhold, og hold dine hænder varme og tørre.
- Hvis du oplever følelseløshed, prikken, smerter eller blegning af huden i fingrene eller hænderne, skal du stoppe med at bruge værktøjet, fortælle det til din arbejdsgiver og konsultere en læge.
- Hvor det er muligt, bør værktøjets vægt understøttes i et stativ, en strammer eller en balance, fordi et lettere greb derefter kan bruges til at understøtte værktøjet.

### 1.9 YDERLIGERE SIKKERHEDSINSTRUKTIONER FOR HYDRAULISKE ELVÆRKTØJER

- Hydraulikforsyningen må ikke overstige 550 bar (8000 PSI).
- Olie under tryk kan forårsage alvorlig personskade.
- Montér ikke fleksible hydraulikslanger, der er vurderet til et arbejdsstryk på under 700 bar (10.000 PSI) ved en strømningshastighed på 2,73 l/min (200 på 3/min).
- Efterlad aldrig værktøjet uden opsyn. Frakobl hydraulikslangen og strømkablet fra pumpeenheten, når værktøjet ikke er i brug, før du skifter tilbehør eller når du udfører reparationer.
- Piskende slanger kan forårsage alvorlig personskade. Kontrollér altid for beskadigede eller løse slanger og fittings.
- Se hydraulikslanger efter for skader inden brug. Alle hydraulikforbindelser skal være rene, helt tilkoblede og stramme før drift. Undgå at sætte tunge genstande på luftslangerne. Et hårdt slag kan medføre indvendig skade på værktøjet, og føre til fejl i lufttilførslen.
- Når der bruges universelle drejekoblinger (klokoblinger), skal der installeres låsestifter, og der skal bruges piske-stop-sikkerhedskabler til at beskytte mod eventuel tilslutningsfejl mellem slange og værktøj eller slange og slange.
- Løft IKKE værktøjet i slangen eller strømkablet. Brug altid værktøjets håndtag, når værktøjet skal flyttes.
- Træk eller bevæg IKKE den hydrauliske pumpeenhet ved hjælp af slangerne. Brug altid pumpeenhedens håndtag eller rulleholder.
- Undgå snavs og fremmedlegemer i værktøjets hydrauliksystem, da dette vil medføre funktionsfejl på værktøjet.
- Brug kun ren olie og påfyldningsudstyr.
- Der må kun anvendes anbefalede hydraulikvæsker.
- Strømheder kræver en fri strømning af luft til afkølingsformål og bør derfor placeres på et godt ventileret område, der er fri for farlige dampe.
- Hydraulikvæskens maksimale temperatur ved indløbet er 110°C (230°F).

**STANLEY Engineered Fastening har en politik om løbende produktudvikling og forbedring, og forbeholder retten til at ændre specifikationen af ethvert produkt uden forudgående varsel.**

## 2. SPECIFIKATION

### 2.1 TILSIGTET FORMÅL

AV®5 installationsværktøjet er hovedsageligt en stempel- og cylinderenhed. Når det kobles hydraulisk og elektrisk til en kompatibel hydraulisk strømkilde, og det relevante næsestykke er tilsluttet, kan det bruges til at montere nitter, herunder Avdelok®, 3/8" NeoBolt®, 5/16" Avbolt® og Ø16 mm Avseal® i industrielle miljøer.

Placeringsværktøjet og den hydrauliske pumpeenhed må kun bruges i overensstemmelse med brugsanvisningen til placering af Stanley Engineered Fastening strukturelle nitter.

Se tabellen herunder for listen over gældende nitter og tilhørende næseudstyr.

Se databladene, der er anført i tabellen, for de relevante instruktioner til næsestykke.

**MÅ IKKE** anvendes under våde forhold eller i nærheden af brændbare væsker eller gasser.

NITTE		NÆSESTYKKE			DATAARK FOR NÆSESTYKKE
TYPE	STØRRELSE	RESERVEDELS-NUMMER	DIM. 'A'	DIM. 'B'	RESERVEDELS-NUMMER
AVBOLT®	1/4"	07220-07500	70mm	19mm	07900-00905
	5/16"	07220-07700	100mm	27mm	07900-00905
AVDELOK®	5/16"	07220-05600	130mm	27mm	
	3/8"	07220-02000	100mm	27mm	
AVSEAL® II	16mm	07220-06800	100mm	27mm	07900-00840
AVTAINER®	3/8"	* 71230-15600	130mm	23mm	
MONOBOLT®	1/4"	* 71230-15800	130mm	27mm	
	3/8"	07220-07200	110mm	27mm	
NEOBOLT®	5/16"	73200-05000	100mm	27mm	07900-01071
	3/8"	73200-05100	100mm	27mm	07900-01071

Bemærkninger:

Længdedimensioner afrundet.

\* Det er et krav at montere adapter delnummer 07267-00800 for at montere dette næsestykke.

\*Næsestykke med kæbefrigivelse.

Se illustrationen på side 8 for identifikation af næsestykkets dimensioner 'A' og 'B'.

Sikkerhedsinstruktionerne skal altid følges.

### 2.2 VÆRKTØJSSPECIFIKATION

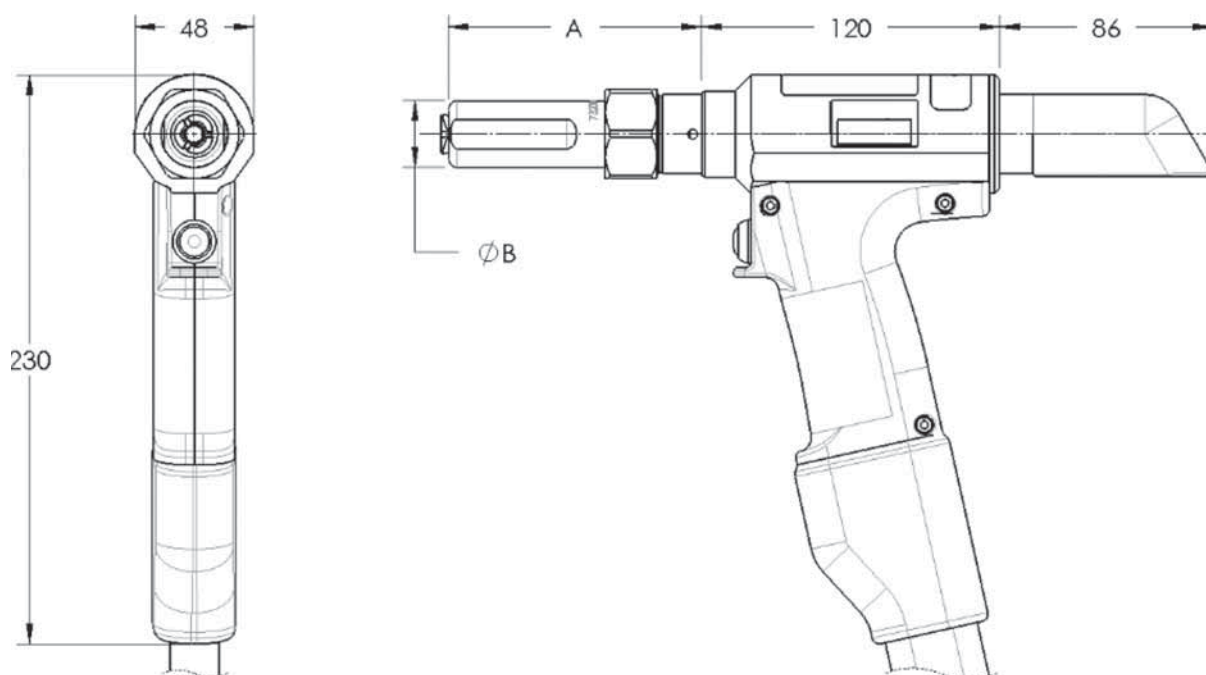
	SPECIFIKATION	METRISK	BRITISK
Styrke:	Træk ved det angivne træktryk	36,0 kN	8992,4 lbf
	Skub ved det angivne returtryk	17,5 kN	3934,1 lbf
Tryk:	Træk	510 bar	7396,9 lbf/in <sup>2</sup>
	Retur	200 bar	2900,7 lbf/in <sup>2</sup>
Slaglængde:	Minimum slaglængde	30,0mm	1,18"
Vægt:	Med næseudstyr og slange	2,9 kg	6,4 lb
Hydraulisk olie:	Enerpac Hydraulic Oil - HF-95X	-	-
	Skaftudskubning		Bagside
	Tætningsarrangering	Dobbelte læbe- og skrabetætninger	
Funktioner og fordele:	Hydrauliske lejeringe	Ja – forside og bagside	
	Beskyttelseshåndtag/Slangegator		Ja
	Beskyttende slangeskærm		Ja
	Slange-/kabelholderklemmer		Ja



Støjværdier fastsat i henhold til støjtestkode ISO 15744 og ISO 3744.		AV5
A-vægtet lydeffektniveau dB(A), LWA	Usikkerhed støj: kWA = 3,0 dB(A)	86,9 dB(A)
A-vægtet emissionslydtrykniveau på arbejdsstationen dB(A), LpA	Usikkerhed støj: kpA = 3,0 dB(A)	75,9 dB(A)
C-vægtet maksimalt emissionslydtrykniveau dB(C), LpC, maks.	Usikkerhed støj: kpC = 3,0 dB(C)	81,1 dB(C)

Støjværdier fastsat i henhold til støjtestkode ISO 20643 og ISO 5349		AV5
Vibrationsemissionsniveau, ahd:	Usikkerhed vibration: k = 1,34 m/s <sup>2</sup>	2,69 m/s <sup>2</sup>
Erklærede vibrationsemissionsværdier i overensstemmelse med EN 12096		

### 2.3 VÆRKTØJSDIMENSIONER



Alle dimensioner vises i millimeter. Illustration vist med 3/8" NeoBolt® næsestykke monteret. Værktøjets udseende varierer med monteringen af forskellige næsestykker.

Se tabellen på side 7 for næsestykkets dimensioner 'A' og 'B'.

Værktøjet er udstyret med to hydraulikslanger og et elektrisk styrekabel, 0,6 m i længden. Ekstra hydraulikslange og kabelforlængelseslængder kan bestilles separat efter behov. Se tabellen herunder for de tilgængelige slangemontingslængder og tilhørende delnumre.

HYDRAULISK SLANGESAMLING	
RESERVEDELSNUMMER	SLANGELÆNGDE
07008-00448	5 meter
07008-00449	10 meter
07008-00450	15 meter

## 3. IBRUGTAGNING

### 3.1 DRIFTSPRINCIP

**VIGTIGT - LÆS SIKKERHEDSREGLERNE PÅ SIDE 4 - 6 OG BRUGSVEJLEDNINGEN TIL PUMPEENHEDEN OMHYGGELIGT INDEN IBRUGTAGNING.**

Når både slanger og styrekabel er sluttet til Avdel®/ Enerpac® hydraulisk pumpeenhed, styres værktøjets træk- og returcyklusser ved at aktivere og slippe udløseren placeret i håndtaget.

Når der trykkes på kontakten, aktiveres solenoideventilen, der er placeret i den hydrauliske pumpeenhed, og dirigerer trykoliestrømmen til stempelets trækside i placeringsværktøjet. Dette gør det også muligt for olien i placeringsværktøjets returside at vende tilbage til beholderen.

Under trækcyklusserne bevæger stemplet/spændesamlingen sig mod bagsiden af værktøjet, så puden af O-ringtype kan skubbe følgeren og kæberne fremad. Hvis der er indsat en nittestift i næseenheden, klemmes kæbesættet på stiftenden, og monteringen begynder.

For Avbolt® og Avdelok® vil installationscyklusen først spænde sammen om den samling, der skal fastgøres, og efterhånden som ambolten fortsætter med at bevæge sig fremad, vil spændepatronen blive drevet ind i låserillerne på stiftenden. Ved afslutningen af drivningscyklusen vil ambolten komme op mod samlingen, og når bevægelsen fortsætter, vil stiftenden blive brudt af.

Udløserkontakten skal frigøres, umiddelbart efter en stift brydes. Frigørelse af udløserkontakten får solenoiden til at slukke og vende strømmen af olie under tryk.

Hvis udløseren ikke frigøres, fortsætter placeringsværktøjets stempel med at bevæge sig mod værktøjets bagside, indtil det når slutningen af dets slag. Trykket i træksiden vil derefter stige, indtil en forudindstillet værdi for "Højtryk" opnås ved pumpen. På dette tidspunkt slukker solenoideventilen automatisk og vender strømmen af trykolie til retursiden af placeringsværktøjet.

I begge tilfælde vil olie under tryk nu strømme ind i placeringsværktøjets returside, med olien i træksiden tilbage til beholderen.

Den fremadgående bevægelse af stemplet/spændesamlingen skubber den installerede nitte ud af ambolten.

På tidspunktet for frigørelse af udløseren, eller når værdien "Højtryk" opnås, slukker solenoideventilen og aktiverer en forudindstillet "Returtimer". Dette kontrollerer det tidspunkt, hvor pumpemotoren fortsætter med at køre, inden der skiftes til tomgangstilstand. Timeren kan indstilles manuelt mellem 5 og 20 sekunder for at sikre, at placeringsværktøjets stempel altid helt vender tilbage til den fremadrettede position (se pumpevejledning 07900-01030, side 10 og 13).

Når stemplet vender tilbage til den helt fremadrettede position, stiger trykket til forindstillet lavtryksværdi - c200 bar. Pumpemotoren fortsætter med at køre, indtil returtimeren er udløbet. Efter denne periode stopper motoren automatisk, og ventilen skifter til tomgangsposition. Solenoideventilen arbejder derefter automatisk på at frigive olie under tryk til beholderen fra både træk- og retursiden af placeringsværktøjet.

Dette holder installationsværktøjet i den fremadrettede position. Der er ikke noget pres i det hydrauliske system på dette tidspunkt.

Den hydrauliske pumpeenhed starter automatisk, når der trykkes på værktøjets udløserkontakt.

### 3.2 KLARGØRING TIL BRUG

**FORSIGTIG - KORREKTE TRÆK- OG RETURTRYK ER VIGTIGE FOR KORREKT FUNKTION AF INSTALLATIONSVÆRKTØJET. PERSONSKADE ELLER BESKADIGELSE AF Udstyret kan ske uden korrekte tryk. TRÆK- OG RETURTRYK, DER LEVERES AF DEN HYDRAULISKE PUMPEENHED, MÅ IKKE OVERSTIGE DET TRYK, DER ER ANFØRT I SPECIFIKATIONEN FOR PLACERINGSVÆRKTØJET.**

**VIGTIGT - INDEN VÆRKTØJET OG HYDRAULIKSLANGESÆTTET TAGES I BRUG:**

**SØRG FOR, AT PUMPENS TRYKAFLASTNINGSVENTILER ER INDSTILLET I OVERENSSTEMMELSE MED PUMPEINSTRUKTIONERNE OG DE MAKSIMALE TRYK, DER ER SPECIFICERET FOR PLACERINGSVÆRKTØJET OG SLANGERNE.**

**SØRG FOR, AT SLANGESÆTTET SPÆDES MED HYDRAULISK VÆSKE I OVERENSSTEMMELSE MED PROCEDUREN I PUMPENS BRUGSANSVISNING 07900-01030.**

- Sørg for, at strømforsyningen til den hydrauliske pumpeenhed er slukket.
- Slut hurtigkoblingerne på placeringsværktøjets hydraulikslanger direkte til pumpeenheden, inden det elektriske styrekabel tilsluttes. Slanger og styrekabel skal tilsluttes i denne rækkefølge og frakobles i omvendt rækkefølge.
- Tænd for strømforsyningen til den hydrauliske pumpeenhed. Vent 5 sekunder på, at pumpeenheden gennemfører opstartssekvensen, inden du trykker på udløserkontakten. Når den er klar, viser LCD-skærmen på pumpeenheden "AVDEL".
- Under opstartssekvensen identificerer pumpestyringssystemet enhver udløserhandling som en potentiel funktionsfejl og forhindrer motoren i at starte. LCD-skærmen viser i dette tilfælde "BUTTON FAULT". Nulstil ved at slukke for strømforsyningen i 10 sekunder.
- Sørg for, at placeringsværktøjet er placeret under pumpebeholdertankene. Tryk på og frigiv placeringsværktøjets udløserkontakt nogle få gange næsten helt til værktøjets fulde slag for at cirkulere hydraulisk væske og presse luft ud af værktøjet.
- Observér værktøjets bevægelse. Kontroller for væskelækager, og sørg for, at stemplet i tomgangstilstand er i den helt fremadrettede position. Placeringsværktøjet vil nu være klar.
- Sluk for strømforsyningen til den hydrauliske pumpeenhed, og fjern derefter placeringsværktøjet fra pumpeenheden i omvendt rækkefølge til det, der er beskrevet ovenfor.
- Slut nu placeringsværktøjet til det klargjorte hydraulikslangesæt og det elektriske styrekabel. Slut derefter hydraulikslangesættets hurtigkoblinger og det elektriske styrekabel til pumpeenheden.
- Fastgør næsestykket til værktøjet som beskrevet i instruktionerne i det relevante datablad for næsestykket.
- Tænd for strømforsyningen til den hydrauliske pumpeenhed, som beskrevet ovenfor.
- Tryk på og frigiv placeringsværktøjets udløserkontakt nogle få gange næsten helt til værktøjets fulde slag for at cirkulere hydraulisk væske.
- Placeringsværktøjet er nu klar til brug.

## 4. BRUGSANVISNING

### 4.1 SÅDAN MONTERES EN AVBOLT®-NITTE

Få yderligere oplysninger om denne nitte i databladet til næsestykket som angivet i tabellen på side nr. 7. Informationen herunder er vejledende.

- Kontrollér arbejde og fjern for stort mellemrum. (Mellemrum er rummet mellem samlingens komponenter. Mellemrum er for stort, hvis der ikke er nok stiftende, som stikker gennem spændepatronen, til at næsestykkets kæber kan gribe fat i den).
- Sæt Avbolt-nitte i hullet.
- Skub næsestykket på stiften, indtil næsestykkeambolten stopper mod spændepatronen. Værktøj og næsestykke skal holdes retvinklet (90°) mod arbejdet.
- Tryk på værktøjets udløserkontakt for at starte installationscyklussen.
- Når næsestykkeamboltens fremadgående bevægelse stopper, og stiftenden brydes af, skal udløseren frigives. Værktøjet går ind i sit returslag og skubber den installerede nitte ud. I slutningen af returslaget frigiver kæberne delvist den anvendte stiftende, som derefter kan skubbes gennem kæberne med den næste installationen og derefter skubbes ud gennem værktøjets bagside.
- Når den installerede nitte er blevet skubbet ud, er værktøjet og næsestykket klar til den næste installation.

### 4.2 SÅDAN MONTERES EN AVDELOK® NITTE

Få yderligere oplysninger om denne nitte i databladet til næsestykket som angivet i tabellen på side nr. 7. Informationen herunder er vejledende.

- Kontrollér arbejde og fjern for stort mellemrum. (Mellemrum er rummet mellem samlingens komponenter. Mellemrum er for stort, hvis der ikke er nok stiftende, som stikker gennem spændepatronen, til at næsestykkets kæber kan gribe fat i den).
- Sæt Avdelok® nitte i hullet.
- Skub Avdelok® krave over stiften. (Den facetterede ende af spændepatronen skal vende mod næsestykket og værktøjet.)
- Skub næsestykket på stiften, indtil næsestykkeambolten stopper mod spændepatronen. Værktøj og næsestykke skal holdes retvinklet (90°) mod arbejdet.
- Tryk på værktøjets udløserkontakt for at starte installationscyklussen.
- Når næsestykkeamboltens fremadgående bevægelse stopper, og stiftenden brydes af, skal udløseren frigives. Værktøjet går ind i sit returslag og skubber den installerede nitte ud. I slutningen af returslaget frigiver kæberne delvist den anvendte stiftende, som derefter kan skubbes gennem kæberne med den næste installationen og derefter skubbes ud gennem værktøjets bagside.
- Når den installerede nitte er blevet skubbet ud, er værktøjet og næsestykket klar til den næste installation.

**FORSIGTIG - FORSØG IKKE AT BRYDE EN STIFTENDE AF UDEN INSTALLATIONEN AF EN SPÆNDEPATRON, DA DETTE VIL FÅ DEN IKKE-SIKREDE DEL AF AVDELOK®-STIFTENDEN ELLER AVBOLT®-STIFTENDEN TIL AT BLIVE SKUBBET UD FRA NÆSEN VED EN HØJ HASTIGHED OG STYRKE.**

### 4.3 SÅDAN MONTERES EN NEOBOLT®-NITTE

Få yderligere oplysninger om denne nitte i databladet til næsestykket som angivet i tabellen på side nr. 7. Informationen herunder er vejledende.

- Anbring NeoBolt®-stiftenden i hullet, og skub den helt igennem samlingslagene.
- Anbring NeoBolt®-spændepatronen over stiftenden (spændepatronens flangeende skal befinde sig tættest på arbejdsområdet) og roter med uret for at koble spændepatronen på stiftens monteringsgevind med mindst en halv omdrejning.
- Skub spændepatronen helt over stiftens trækende, indtil spændepatronen dækker trækrillen på NeoBolt®-stiftenden helt, og trækenden kommer i kontakt med spændepatronstopet. Placeringsværktøjet skal holdes vinkelret (90°) med arbejdsområdets overflade.
- Tryk på værktøjets udløserkontakt og hold den nede for at starte installationscyklussen. Spændepatronen vil gribe fat i NeoBolt®-stiftenden og trække ambolten op mod spændepatronen.
- Bliv ved med at holde udløserkontakten nede, indtil den er helt drevet, og amboltens fremadrettede bevægelse stopper mod spændepatronflangen. Placeringsværktøjets stempel og spændepatron vil derefter automatisk vende tilbage for at skubbe ambolten af det installerede krav og frigøre stiftenden fra spændepatronen.
- Slip udløseren.
- Når den installerede nitte er blevet skubbet ud af ambolten, er placeringsværktøjet, næsestykket og pumpeenheden klar til den næste installation.

**FORSIGTIG – Slip ikke udløseren, før placeringsværktøjets trækcyklus er afsluttet, og pumpeenheden og værktøjet automatisk er skiftet til returneringscyklussen. Hvis udløseren slippes før dette, resulterer det i en forkert placeret og delvist installeret NeoBolt® nitte.**

## 5. VEDLIGEHOLDELSE AF VÆRKTØJET

**VIGTIGT - LÆS SIKKERHEDSINSTRUKTIONER PÅ SIDE 4 - 6. ARBEJDSGIVEREN ER ANSVARLIG FOR AT SIKRE, AT DER GIVES INSTRUKTIONER OM VEDLIGEHOLDELSE AF VÆRKTØJET TIL DET PASSENDE PERSONALE. OPERATØREN BØR IKKE INVOLVERES I VEDLIGEHOLDELSE ELLER REPARATION AF VÆRKTØJET, MED MINDRE DENNE ER BLEVET OPLÆRT PÅ PASSENDE VIS. VÆRKTØJET SKAL SES REGELMÆSSIGT EFTER FOR SKADER OG FUNKTIONSFEJL.**

### 5.1 DAGLIG VEDLIGEHOLDELSE

- Kontrollér placeringsværktøj, slanger og hurtigkoblinger for olielækager.
- Slidte eller beskadigede slanger og koblinger bør udskiftes.
- Kontrollér, at værktøjets slag opfylder specifikationen.
- Kontrollér, at endehætten sidder godt fast på AV®5 hoveddelen.
- Kontrollér, at skaftdeflektoren er monteret.
- Kontrollér, at pumpens trykafslagningsventil for træk/fremrykning virker korrekt.
- Kontrollér, at næseudstyret er passende til nitten, der skal monteres, og at det er påmonteret korrekt.
- Kontrollér, om ambolten er slidt, indikeret af ridsemærker på den installerede spændepatron. Dette kan også bekræftes ved at se dataene for installation i nittekataloget. For kraftigt slid kan få ambolten til at bryde.

### 5.2 UGENTLIG VEDLIGEHOLDELSE

- Demonter og rengør næsestykket, især kæberne, som beskrevet i det relevante datablad til næsestykket.
- Se efter olielækager i placeringsværktøj, slanger og hurtigkoblinger.

**FORSIGTIG – Brug aldrig opløsningsmidler eller andre kraftige kemikalier til at rengøre værktøjets ikke-metalliske dele. Disse kemikalier kan svække de materialer, der anvendes i værktøjet.**

### 5.3 ÅRLIG SERVICE / HVER 250.000 DRIFTSOPERATIONER

- Årligt eller hver 250.000 cyklusser (hvad end der kommer først) skal værktøjet demonteres helt, og nye komponenter skal bruges, hvor det er slidt, beskadiget eller som anbefalet. Alle O-ringe, reserveringe og tætninger skal fornyes og smøres med MolyKote® 111 smøremiddel inden montering.

### 5.4 SERVICEKIT

For en komplet service er følgende servicekit tilgængeligt:

SERVICEKIT: 73425-99990			
RESERVEDELS-NUMMER	BESKRIVELSE	RESERVEDELS-NUMMER	BESKRIVELSE
07005-10118	Hurtigkobling – han	07900-01103	AV®5 Stempelstyrerør
07005-10120	Hurtigkobling – hun	07900-01104	AV®5 Værktøj til endehættesamling
07900-00043	AV®5 Stempelkugle – Forside AV®5	07992-00020	Smøremiddel – MolyLithium EP3753
07900-01101	Stempelkugle – Bagside	07900-00755	Smøremiddel – MolyKote 111
07900-01102	AV®5 Forreste pakning på styrestang	07900-00756	Loctite 243 Threadlocker
		07002-00478	M4 X 20 sætskrue med HD-hætte

### 5.5 SERVICEVÆRKTØJER

Følgende standardværktøjer er også påkrævet:

- Unbrakonøgle: 2,0/3,0mm
- Flad skruenøgle med åben ende: 12 / 14 / 18 / 24 / 45 mm A/F
- PTFE-tape: 10mm
- Skruestik med kæbebeskyttere – 150 mm

## 5.6 HYDRAULISK OLIE

**FORSIGTIG – Brug kun Enerpac® HF hydraulisk olie – brug af enhver anden olie kan forårsage funktionsfejl i placeringsværktøjet og pumpen og vil gøre placeringsværktøjets garanti ugyldig.**

Hydraulisk olie kan bestilles under følgende varenumre.

HYDRAULISK OLIE			
RESERVEDELSNUMMER	07992-00081	07992-00082	07992-00083
Enerpac® reservedelsnummer	HF-95X	HF-95Y	HF-95T
Volumen	1 liter	5 liter	20 liter
Viskositet	32 mm <sup>2</sup> /s	32 mm <sup>2</sup> /s	32 mm <sup>2</sup> /s

## 5.7 DEMONTERINGSINSTRUKTIONER

**VIGTIGT – SØRG FOR, AT STRØMFORSYNINGEN TIL DEN HYDRAULISKE PUMPEENHED ER SLUKKET, INDEEN DU FJERNER NÆSESTYKKET ELLER DEMONTERER PLACERINGSVÆRKTØJET.**

### Inden demontering:

- Frakobl hurtigkoblingerne **9** og **10** og det elektriske styrekabel **14** mellem placeringsværktøjet og den hydrauliske slangesamling.
- Fjern næsestykket fra placeringsværktøjet som beskrevet i instruktionerne i det relevante datablad for næsestykket.
- De potentielt farlige stoffer, der kan have aflejret sig på maskinen som et resultat af arbejdsprocesser, skal fjernes inden vedligeholdelse.

For en komplet service af værktøjet anbefaler vi, at du fortsætter med at demontere værktøjet i den rækkefølge, der er vist på side **14** til **17**. Efter demontering af værktøjet anbefaler vi, at du udskifter alle tætninger.

### Samling af hovedstempel:

- Fjern deflektoren **3** fra endehætten **15**.
- Klem værktøjshåndtaget i en skruestik med bløde kæber, så værktøjet vender med næsen nedad. Indsæt dyvelstifterne på \*værktøjet til endehættesamling i de tre huller i endehætten **15**.
- Brug en 45 mm A/F-skruenøgle til at løsne og fjerne endehætten **15** fra hoveddelen **1**.
- Brug en lille flad skruetrækker til at fjerne O-ringen **28** fra endehætten **15** og kasser den.
- Slut reserve \*Hurtigkobling – han til Hurtigkobling – hun **10** på Hydraulisk slange – Retur **24**. Dette frigiver evt. tryk fra stemplets returside **18** og gør det lettere at fjerne den bageste tætningspakning **16**. Bemærk: Hydraulisk olie fjernes fra reserve-hurtigkoblingen – han
- Indsæt tre M4-skruer i den bageste tætningspakning **16** og brug dem til at trække delen af stemplets bagskaft **18** og ud af hoveddelen **1**.
- Brug en lille flad skruetrækker eller et lignende værktøj til at fjerne O-ringen **31** og spiral-reserveringen **30** fra den bageste tætningspakning på endehætten **16**, og kasser den. Når du fjerner tætningerne, skal du passe på ikke at beskadige den bageste tætningspaknings overflade med skruetrækkeren.
- Fjern stangtætningen **29** og skrabetætningen **33** fra de indvendige riller på den bageste tætningspakning **16**, og kasser dem. Når du fjerner tætningerne, skal du passe på ikke at beskadige den bageste tætningspaknings overflade med skruetrækkeren.
- Fjern den bageste lejerings **32**, og kontrollér delen for slid eller skade. Kasser om nødvendigt.
- Fjern placeringsværktøjet fra skruestikken og tøm den hydrauliske olie fra bagsiden af værktøjet. Fjern reserve \*Hurtigkobling – han fra Hurtigkobling – hun **10** på Hydraulisk slange – Retur **24**.

Alle tal i fed skrift henviser til Generel samling og Reservedelsliste på side 18, 19 og 20.



- \* Servicekit på side 13
- Slut reserve \*Hurtigkobling - hun til Hurtigkobling – han **9** på Hydraulisk slange - Træk **25**. Dette frigiver evt. tryk fra stemplets trækside **18** og gør det lettere at fjerne stemplet. Bemærk: Hydraulisk olie fjernes fra reservehurtigkoblingen – hun.
- Skru \*Stempelkugle - Forside på forsiden af stemplet **18**.
- Placer hoveddelen **1** med næsen opad på en bænk. Brug derefter en blød mukkert til at banke stemplet **18** mod bagsiden af hoveddelen og ud af bagsiden, mens du passer på ikke at beskadige hoveddelens indvendige boring.
- Bemærk, at når du fjerner stemplet **18**, lækker der olie på stemplets **18** trækside fra for- og bagsiden af hoveddelen **1**.
- Når du fjerner stemplet **18**, kan den forreste tætningspakning **17** blive siddende på stempelskaftet. Løsn i så fald \*Stempelkugle - Forside og træk Forreste tætningspakning af stemplet.
- Brug en lille flad skruetrækker til at fjerne stempeltætningen **35** og de to støtteringe **34** fra den udvendige rille på stemplet **18**, og kasser den. Når du fjerner tætningerne, skal du passe på ikke at beskadige stemplets overflade med skruetrækkeren.
- Hvis den forreste tætningspakning **17** stadigvæk sidder i hoveddelen **1**. Placer hoveddelen med næsen opad på en bænk, og skub derefter den forreste tætningspakning fra forsiden, indtil den er fri fra fordybningen i hoveddelen. Den forreste tætningspakning kan derefter fjernes fra hoveddelens bagside. Pas på ikke at beskadige den indvendige boring i hoveddelen, når du gør det.
- Brug en lille flad skruetrækker til at fjerne O-ringen **38** og spiral-reserveringen **39** fra den udvendige rille på den forreste tætningspakning **17**, og kasser den. Når du fjerner tætningerne, skal du passe på ikke at beskadige den forreste tætningspaknings overflade med skruetrækkeren.
- Fjern stangtætningen **36** og skrabetætningen **40** fra de indvendige riller på den forreste tætningspakning **17**, og kasser dem. Når du fjerner tætningerne, skal du passe på ikke at beskadige den forreste tætningspaknings overflade med skruetrækkeren.
- Fjern den forreste lejerings **37**, og kontrollér delen for slid eller skade. Kasser om nødvendigt.
- Fjern reserve \*Hurtigkobling - hun fra Hurtigkobling - han **9** på Hydraulisk slange - Træk **25**.

#### Montér i omvendt rækkefølge af afmontering, og bemærk følgende punkter:

- Rengør alle komponenter inden montering.
- For at hjælpe med montering af tætninger skal du påføre et let lag Molykote® 111 smøremiddel på alle tætninger, tætningsriller, reserveringe og monteringsværktøjerne.
- Skub O-ringen **38** over den forreste tætningspakning **17** og ind i den udvendige rille. Indsæt spiral-reserveringen **39** i den samme rille, foran den installerede O-ring. Se Generel samling og Reservedelsliste for den korrekte retning af O-ringen og spiral-reserveringen.
- Tryk den forreste lejerings **36** ind i den indvendige fordybning i den forreste tætningspakning **17**, og installér derefter stangtætningen **36** bag den forreste lejerings. Installér skrabetætningen **40** i den forreste fordybning af den forreste tætningspakning. Se Generel samling for at sikre den korrekte retning af stangtætningen og skrabetætningen.
- Smør overfladen og den ledende kant af hoveddelens **2** boring, hvor den forreste tætningspakning **17** skal installeres, med Molykote® 111 smøremiddel.
- Smør tappen på \*Forreste pakning på styrestang-værktøjet, og placer derefter den forreste tætningspakning **17**, med stangtætningens **36** ende først, helt over tappen. Indsæt \*Forreste pakning på styrestang i bagsiden af hoveddelen **1**, og skub derefter den forreste tætningspakning helt ind i hoveddelens boring. Der kræves en rimelig kraft for at indsætte forreste tætningspakning i hoveddelen, og det kan derfor være nødvendigt at bruge en presse eller skruestik. Fjern \*Forreste pakning på styrestang, mens du sikrer dig, at den forreste tætningspakning er på plads.
- Smør tætningsrillen og den store udvendige diameter af stemplet **18** med Molykote® 111 smøremiddel. Skub stempeltætningen **35** over the forsiden af den store stempeldiameter og ind i tætningsrillen. Installér to støtteringe **34** i stempeltætningsrillen, en på hver side af stempeltætningen.

- Skru \*Stempelkugle - Forside på forsiden af stemplet **18**. Smør \*Stempelkugle - Forside, stempelskaft og stem-peltætning **35** med Molykote® 111 smøremiddel.

Alle tal i fed skrift henviser til Generel samling og Reservedelsliste på side 18, 19 og 20.

\* Servicekit på side 13

- Skru \*Stempelstyrerør helt ind i bagsiden af hoveddelen **1**. Smør borerne i både hoveddelen og \*Stempelstyrerør med Molykote® 111 smøremiddel.
- Slut reserve \*Hurtigkobling - hun til Hurtigkobling - han **9** på Hydraulisk slange - Træk **25**. Dette gør det muligt at frigøre luft fra træksiden af stemplet **18** ved indsætning af stemplet.
- Indsæt det samlede stempel **18** i bagsiden af hoveddelen **1** og gennem den samlede forreste tætningspakning **17**. Skub stemplet ind i den helt fremadrettede position, indtil den stopper mod den forreste tætningspakning. Der vil blive udstødt hydraulisk olie fra Hydraulisk slange - Træk **25**.
- Fjern reserve \*Hurtigkobling - hun fra Hurtigkobling - han **9** på Hydraulisk slange - Træk **25**. Fjern \*Stempelstyrerør fra bagsiden af hoveddelen **1**.
- Skub O-ringen **31** over den bageste tætningspakning **16** og ind i den udvendige rille. Indsæt spiral-reserveringen **30** i den samme rille, bag den installerede O-ring. Se Generel samling og Reservedelsliste for den korrekte retning af O-ringen og spiral-reserveringen.
- Tryk den bageste lejerings **32** ind i den indvendige fordybning i den bageste tætningspakning **16**, og installér derefter stangtætningen **29** bag den bageste lejerings. Installér skrabetætningen **33** i den bageste fordybning af den bageste tætningspakning. Se Generel samling for at sikre den korrekte retning af stangtætningen og skrabetætningen.
- Klem værktøjshåndtaget i en skruestik med bløde kæber, så værktøjet vender med næsen nedad.
- Smør overfladen og den ledende kant af hoveddelens **1** boring, hvor den bageste tætningspakning **16** skal installeres, med Molykote® 111 smøremiddel. Smør det bageste stempel **18** skaft med Molykote® 111 smøremiddel.
- Indsæt \*Stempelkugle – Bagside i det bageste stempel **18** skaft og smør med Molykote® 111 smøremiddel.
- Fyld den bageste del af hoveddelen **1** med Enerpac® HF hydraulisk olie. Olieniveauet bør være lige over den bageste indgangsborings ind i hoveddelen.
- Slut reserve \*Hurtigkobling - han til Hurtigkobling - hun **10** på Hydraulisk slange – Retur **24**. Dette gør det muligt at frigøre luft fra stemplets **18** returside, når du indsætter den bageste tætningspakning **16**. Bemærk: Hydraulisk olie fjernes muligvis fra reserve-hurtigkoblingen – hun.
- Placer den bageste tætningspakning **16** over \*Stempelkugle – Bagside. Skub derefter den bageste tætningspakning over stempel **18** skaftet og ind i bagsiden af hoveddelen **1**. Skub den bageste tætningspakning ind i hoveddelen, indtil nogle få interne gevind eksponeres på hoveddelens bagside. Pas på ikke at beskadige O-ringen **31** og spiral-reserveringen **30** på gevindene ved indsætning af den bageste tætningspakning.
- Smør både det indvendige gevind i hoveddelen **1** og det udvendige gevind på endehætten **15** med MolyLithium-smøremiddel.
- Skru endehætten **15** helt ind i hoveddelens **1** bagside ved hjælp af \*Værktøj til endehættesamling. Når du gør dette, vil den bageste tætningspakning **16** blive trykket på plads i hoveddelen **1** og en lille mængde olie vil blive udstødt fra Hydraulisk slange - Retur **24**.
- Fjern reserve \*Hurtigkobling - han fra Hurtigkobling - hun **11** på Hydraulisk slange - Retur **24**.
- Skub deflektoren **3** på endehætten **15**.
- Klargør placeringsværktøjet som beskrevet i Klargøring til brug på side **10**.

#### Slangesamling:

- Fjern de to skruer **8** fra slangeklemmen **13** ved hjælp af en 3,0 mm unbrakonøgle. Fjern slangeklemmen og

klemmeindsatsen 26 fra beskyttelsesrøret **27** og Hydraulisk slange - Retur **24** og Træk **25**.

- Brug den lille flade skruetrækker til at åbne håndtagsgatoren **7** fra håndtaget på formen **11** og **12**. Træk håndtagsgatoren og beskyttelsesrøret **27**, Hydraulisk slange - Retur **24** og Træk **25** og fjern det.
- Brug en 3,0 mm unbrakonøgle (og 7,0 mm skruenøgle på nederste møtrik) til at løsne de fire skruer **20**, der holder håndtagsforme **11** og **12** sammen, og fjern dem.

Alle tal i fed skrift henviser til Generel samling og Reservedelsliste på side 18, 19 og 20.

\* Servicekit på side 13

- Udløseren **6** er svejset til styrekablet. Fjern denne samling fra håndtagene **11** og **12**. Kabelpakningen **22** er en del af denne samling.
- Skær kabelbåndet **43** og skub beskyttelsesrøret **27** tilbage for at eksponere fittingerne på Hydrauliske slanger **24** og **25**. De hydrauliske slanger kan fjernes fra hoveddelen **1** ved hjælp af 12 mm og 14 mm skruenøgler.
- Hurtigkoblinger - han **9** og hun **10** kan fjernes fra Hydrauliske slanger **24** og **25** ved hjælp af 18mm og 24mm skruenøgler.

#### Montér i omvendt rækkefølge af afmontering, og bemærk følgende punkter:

- Inden montering skal du rengøre alle gevind på Hurtigkoblinger - han **9** og hun **10** samt Hydrauliske slanger - Retur **24** og Træk **25**. Påfør derefter to til tre lag 10 mm PTFE-tape på hangevindene på begge hydrauliske slanger.
- Når det er monteret, skal du klargøre værktøjet ifølge instruktionerne på side 10.

#### 5,8 MILJØBESKYTTELSE

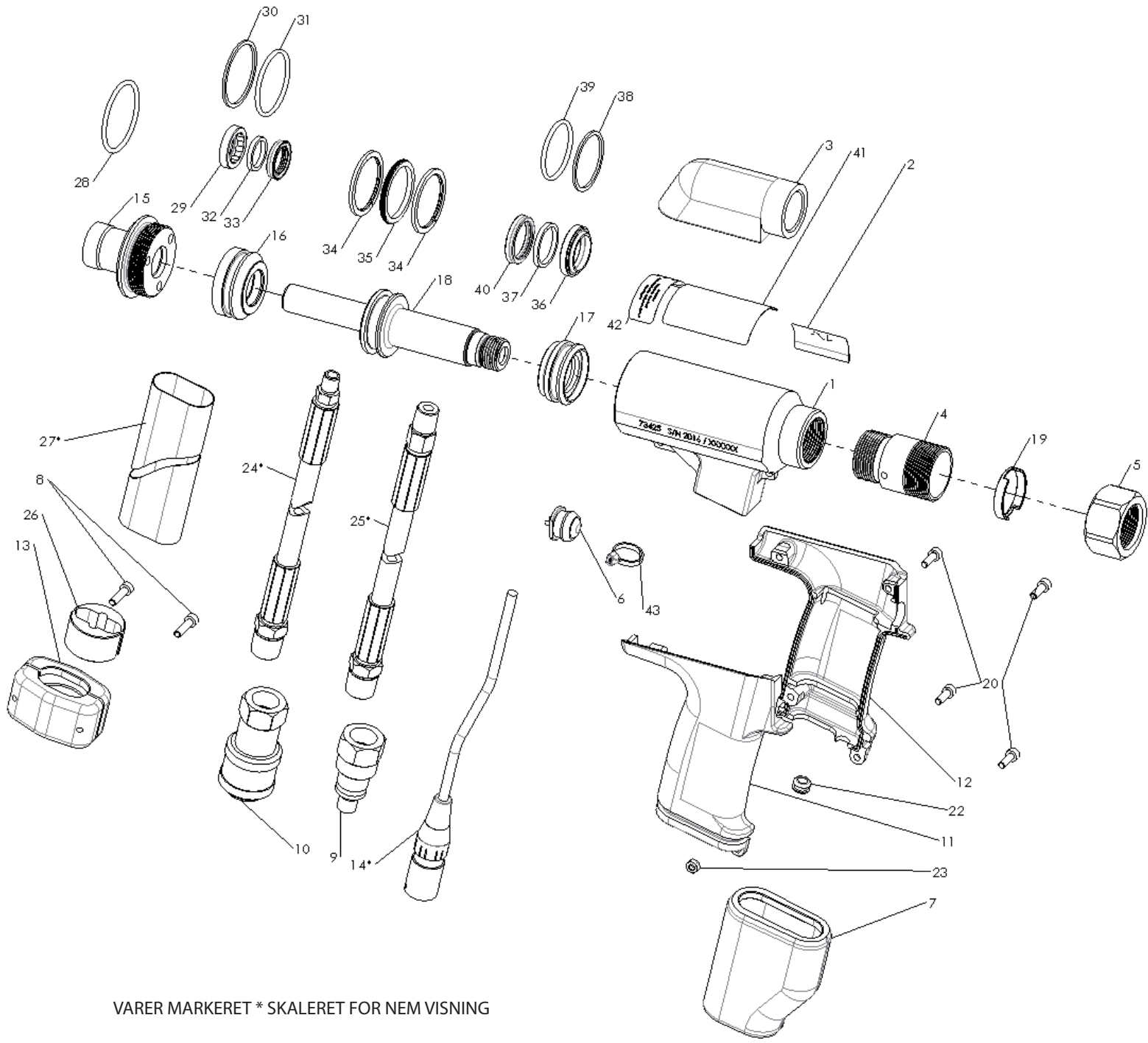
- Sørg for overensstemmelse med gældende bestemmelser for bortskaffelse. Bortskaf alle affaldsprodukter på et godkendt affaldsanlæg eller sted for ikke at udsætte personale og miljøet for farer.

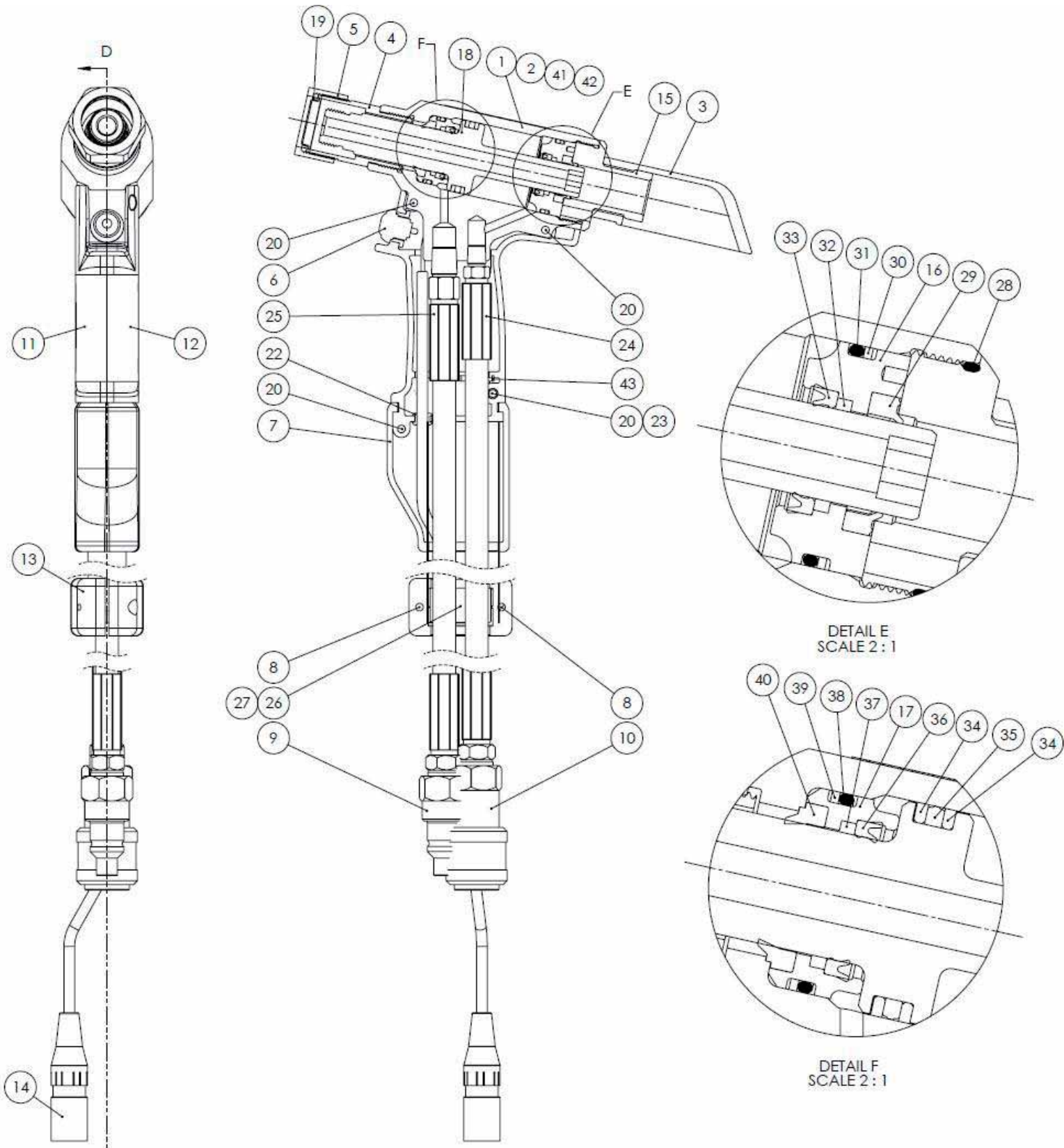
Alle tal i **fed skrift** henviser til Generel samling og Reservedelsliste på side 18, 19 og 20.

\* Servicekit på side 13.

## 6. GENEREL SAMLING OG RESERVEDELSLISTE

### 6.1 GENEREL SAMLING





## 6.2 RESERVEDELSLISTE

73425-02000 RESERVEDELSLISTE			
ELEMENT Nr.	RESERVEDELSNUM- MER	BESKRIVELSE	ANTAL
1	73425-02003	AV®5 hoved	1
2	73425-02014	AV®5 mærke	1
3	73200-02030	Deflektor	1
4	73200-02041	Adapter	1
5	73200-02042	Holdemøtrik	1
6	73425-02013	Udløasersamling	1
7	73430-02020	Håndtagsgator	1
8	07001-00686	M4 sætskrue med hætte	2
9	07005-10118	Hurtigkobling - han	1
10	07005-10120	Hurtigkobling - hun	1
11	73425-02009	Håndtagsform - venstre	1
12	73425-02015	Håndtagsform - højre	1
13	73430-02023	Slangeklemme	1
14	07007-02105	Styrekabel	1
15	73425-02007	Endehætte	1
16	73425-02006	Bageste tætningspakning	1
17	73425-02005	Forreste tætningspakning	1
18	73425-02011	Hovedstempel	1
19	73200-02043	Adapterring	1
20	07001-00688	M4 sætskrue med hætte	4
22	07007-02140	Gummioje	1
23	07002-00134	M4-møtrik	1
24	07005-10119	Hydraulisk slange - Retur	1
25	07005-10117	Hydraulisk slange - Træk	1
26	73430-02024	Klemmeindsats	1
27	07005-10121	Beskyttelsesrør	0,4m
28	07003-00308	O-ring	1
29	07003-00442	Skrabetætning	1
30	07003-00527	Spiral-reservering	1
31	07003-00526	O-ring	1
32	73430-02010	Bageste lejering	1
33	07003-00441	Stangtætning	1
34	07003-00521	Støttering	2
35	07003-00520	Stempeltætning	1
36	07003-00523	Stangtætning	1
37	73200-03104	Lejering	1
38	07003-00524	O-ring	1
39	07003-00525	Spiral-reservering	1
40	07003-00522	Skrabetætning	1
41	73425-02016	Sikkerhedsmærke	1
42	07007-01504	CE-mærke	1
43	07007-02032	Kabelbånd	1

## 7. SIKKERHEDSDATA

### 7.1 Enerpac® HF HYDRAULISK OLIE - SIKKERHEDSDATA

#### FØRSTEHJÆLP

##### HUD:

Det er usandsynligt, at det skader huden ved kortvarig eller lejlighedsvis kontakt, men langvarig brug eller eksponering kan føre til dermatitis. Vask huden grundigt med sæbe og vand, så hurtigt det kan lade sig gøre rent praktisk. Fjern meget kontamineret tøj og vask underliggende hud.

##### ORAL:

Det er usandsynligt, at det forårsager skade, hvis det ved et uheld indtages i små doser, selvom større mængder kan forårsage kvalme og diarré. Hvis der opstår kontaminering af munden, skal den skylles grundigt med vand. Med mindre det sker som en bevidst handling, er det usandsynligt, at der indtages store mængder af produktet. Hvis det skulle ske, må du ikke fremkalde opkastning. Søg lægehjælp. Tag personen til den nærmeste læge.

##### ØJNE:

Det er usandsynligt, at det forårsager mere end forbigående svien eller rødme, hvis der opstår utilsigtet øjenkontakt. Skyl øjnene grundigt med rigelige mængder vand, mens du sikrer, at øjenlågene holdes åbne. Søg lægehjælp, hvis der opstår smerter eller rødmen, eller det varer ved.

##### LÆGERÅD:

Behandlingen bør generelt være symptomatisk og være rettet mod at lindre eventuelle virkninger.

Bemærk: Højtryksanvendelser:

Indsprøjtninger gennem huden som følge af kontakt med produktet ved højtryk udgør en større medicinsk nødsituation. Skader ser måske ikke alvorlige ud i starten, men inden for få timer bliver vævet hævet, misfarvet og ekstremt smertefuldt med omfattende subkutan nekrose.

Der bør straks foretages kirurgisk udforskning. Det er nødvendigt at foretage en grundig og omfattende debridering af såret og det underliggende væv for at minimere vævstab og forhindre eller begrænse permanent skade. Bemærk, at højtryk kan tvinge produktet betydelige afstande langs vævsplaner.

#### BORTSKAFFELSE

Fjern alle spild med inaktivt absorberende materiale. Ventil spildområdet. Placer forurenede materialer i en engangsbeholder og bortskaf på en måde, der er i overensstemmelse med lokale bestemmelser.

#### BRAND

FLAMMEPUNKT: 200°C.

Sluk med enten tør kemikalie, skum eller kuldioxid. Gå ikke ind i lukket rum uden et selvstændigt åndedrætsværn.

#### HÅNDBLING

Brug barrierecreme eller olieresistente handsker.

#### OPBEVARING

Under dække og i overensstemmelse med lokale regler for brandfarligt materiale.

### 7.2 MOLYLITHIUM SMØREMIDDEL EP 3753 - SIKKERHEDSDATA

Smøremiddel kan bestilles som en enkelt vare. Varenummeret vises i servicekittet på side 12.

#### FØRSTEHJÆLP

##### HUD:

Da smøremidlet er helt vandafvisende, fjernes det bedst med et godkendt, emulgerende hudrensemiddel.

##### INDTAGELSE:

Sørg for, at personen drikker 30 ml magnesiælmælk, helst i en kop mælk.

##### ØJNE:

Irriterende, men ikke skadeligt. Skyl med vand og søg lægehjælp.

#### BRAND

FLAMMEPUNKT: Over 220 °C.

Ikke klassificeret som brændbart.

Egnede slukningsmidler: CO<sub>2</sub>, Halon eller vandspray, hvis det påføres af en erfaren operatør.

#### MILJØ

Opsaml til forbrænding eller bortskaffelse på godkendt sted.

#### HÅNDBLING

Brug barrierecreme eller olieresistente handsker

#### OPBEVARING

Væk fra varme og oxidationsmiddel.



**7.3 MOLYKOTE® 111 SMØREMIDDEL - SIKKERHEDSDATA**

Smøremiddel kan bestilles som en enkelt vare. Varenummeret vises i servicekittet på side 12.

**FØRSTEHJÆLP**

HUD:

Ingen førstehjælp er nødvendig.

INDTAGELSE:

Ingen førstehjælp er nødvendig.

ØJNE:

Ingen førstehjælp er nødvendig.

INDÅNDING:

Ingen førstehjælp er nødvendig.

**BRAND**

FLAMMEPUNKT: Over 101,1 °C. (lukket kop)

Eksplosive egenskaber: Nej

Egnede slukningsmidler: Kuldioxidiskum, tørt pulver eller fin vandspray. Vand kan bruges til at afkøle beholdere udsat for brand.

**MILJØ**

Der forudses ingen bivirkninger.

**HÅNDBETING**

Generel ventilation anbefales. Undgå øjenkontakt.

**OPBEVARING**

Opbevar ikke med oxidationsmidler. Hold beholderen lukket, og opbevar den væk fra vand eller fugt.

## 8. FEJLFINDING

SYMPTOM	MULIG ÅRSAG	AFHJÆLPNING	SIDE REF.
Placeringsværktøj virker ikke	Ikke operativ pumpeenhed	Kontrollér pumpens strømforsyning, og se instruktionsvejledningen til pumpeenheten	
	Defekte hurtigkoblinger <b>9</b> og <b>10</b>	Udskift hurtigkoblinger	19
	Udløserstyre kabel <b>14</b> ikke korrekt tilsluttet	Kontrollér, at styrekabel er tilsluttet korrekt ved pumpe og placeringsværktøj	10
	Beskadiget udløserkontakt <b>6</b> eller styrekabel <b>14</b>	Udskift udløserkontakt og/eller styrekabel	19
Udløserkontakt <b>7</b> virker ikke	Pumpe i lokal tilstand	Se instruktionsvejledningen til pumpe	
	Udløserkontakt <b>6</b> , styrekabel <b>14</b> eller konnektor beskadiget	Udskift udløserkontakt og/eller styrekabel	19
Pumpe kører, men placeringsværktøjer virker ikke	Hydrauliske slanger ikke tilsluttet	Kontrollér for korrekte forbindelser ved pumpe og placeringsværktøj	10
	Lavt olieniveau	Sørg for, at placeringsværktøjet er fyldt med olie og korrekt klargjort Se instruktionsvejledningen til pumpe	10
	Ekstern olielækage på placeringsværktøj	Efterse placeringsværktøj – udskift slidte eller beskadigede komponenter	14 - 17
	Ekstern olielækage på slangesamling	Efterse slangesamling – sørg for, at slangeforbindelser er tætte og/eller udskift beskadigede slangekonnektorer	19
	Intern/ekstern olielækage på pumpe	Se instruktionsvejledningen til pumpe	
Placeringsværktøj fungerer uforudsigeligt	Lav eller uregelmæssig hydraulisk trykforsyning	Se instruktionsvejledningen til pumpe	
	Slidte eller beskadigede hydrauliske tætninger i placeringsværktøjet	Efterse placeringsværktøj – udskift slidte eller beskadigede tætninger	14 - 17
	Slidte eller beskadigede hydrauliske tætningsoverflader i placeringsværktøjet	Efterse placeringsværktøj – udskift slidte eller beskadigede komponenter	14 - 17
	Intern/ekstern olielækage på pumpe	Se instruktionsvejledningen til pumpe	
Pumpen opbygger fuldt tryk, men stiftenden brydes ikke	Brudbelastning større end placeringsværktøjets kapacitet ved fuldt tryk	Se specifikation for placeringsværktøj	7
	Strømning til placeringsværktøj blokeret	Kontrollér hurtigkoblinger <b>9</b> og <b>10</b> for fuld tilkobling	10
	Værdi af pumpetrykaflastning indstillet for lavt	Juster indstillinger for trykaflastningsventil – se instruktionsvejledningen til pumpe	
	Trækriller på nittestiftende overskruet	Se symptom på side 24	11
	Forkert værktøjsbetjening		11

SYMPTOM	MULIG ÅRSAG	AFHJÆLPNING	SIDE REF.
Placeringsværktøjets stempel <b>1</b> vender ikke tilbage	Returstrøm begrænset eller blokeret	Kontrollér hurtigkoblinger <b>9</b> og <b>10</b> for fuld tilkobling og/eller fejl	10
	Hydrauliske slanger ikke tilsluttet	Kontrollér for korrekte forbindelser ved pumpe og placeringsværktøj	10
	Funktionsfejl i pumpeventil	Se instruktionsvejledningen til pumpe	
Placeringsværktøj skubber ikke spændepatron ud af ambolten	Indstilling af pumpereturtimer forkert – indstillet for lavt	Juster returtimer til anbefalet indstilling – se instruktionsvejledningen til pumpe	
	Pumpereturtrykaflastningsventil indstillet for lavt	Juster returtrykaflastningsventil til korrekt indstilling – se instruktionsvejledningen til pumpe	
	Lav eller uregelmæssig hydraulisk trykforsyning	Se instruktionsvejledningen til pumpe	
	Slidte eller beskadigede hydrauliske tætninger i placeringsværktøjet	Efterse placeringsværktøj – udskift slidte eller beskadigede tætninger	14 - 17
	Slidte eller beskadigede hydrauliske tætningsoverflader i placeringsværktøjet	Efterse placeringsværktøj – udskift slidte eller beskadigede komponenter	14 - 17
	Intern/ekstern olielækage på pumpe	Se instruktionsvejledningen til pumpe	
Trækriller på nittestiftende overskruet under installation	Operatøren skubber ikke næsen helt ned på nittestiftenden før betjening af værktøjet	Instruer operatøren i korrekt installationsmetode	11
	Forkert nittelængde/greblængde	Brug korrekt nitte	
	Slidte eller beskadigede kæbesegmenter	Kontrollér og udskift kæbesæt – se datablad til næseudstyr	11
	Rester i kæbesegmenter og/eller stiftenderiller	Rengør kæbesegmenter – se datablad til næseudstyr	
	For stort arkmellemrum	Luk mellemrum mellem ark	11
Avdelok® eller Avbolt® spændepatron ikke helt drevet	Forkert værktøjsbetjening		11
	Slidt amboltboring	Kontrollér og udskift ambolt – se datablad til næseudstyr	
Stiftende frigøres ikke fra næseudstyr	Forkert montering af næseudstyr	Se datablad til næseudstyr	
Placeringsværktøj og hydraulisk olie løber varmt	Begrænsning i hydraulisk ledning	Kontrollér hydrauliske hurtigkoblinger <b>9</b> og <b>10</b> og udskift dem efter behov	19
	Høj omgivelsestemperatur		
Hydrauliske hurtigkoblinger <b>9</b> og <b>10</b> lækker olie	Slidt O-ring i hoveddel af Hurtigkobling - han <b>9</b>	Udskift O-ring og reservering i hurtigkobling <b>9</b>	19

Alle tal i **fed skrift** henviser til Generel samling og Reservedelsliste på side 18, 19 og 20.

\* Servicekit på side 13.

## 9. EU-OVERENSSTEMMELSESERKLÆRING

Vi, **Stanley Engineered Fastening, Stanley House, Works Road, Letchworth Garden City, Hertfordshire, SG6 1JY STORBRITANNIEN**, erklærer på eget ansvar, at produktet:

**Beskrivelse:** HYDROELEKTRISK ELVÆRKTØJ

**Model:** AV<sup>®</sup> 5 STRUKTURELT VÆRKTØJ – 73425-02000

hvortil erklæringen er knyttet, er i overensstemmelse med følgende harmoniserede standarder:

ISO 12100:2010	EN ISO 3744:2010
EN ISO 11202:2010	EN ISO 11148-1:2011
EN ISO 4413:2010	EN ISO 20643:2008+A1:2012
EN ISO 4414:2010	ES100118-rev 17:2017
EN ISO 28927-5:2009+A1:2015	

Teknisk dokumentation er udarbejdet i overensstemmelse med bilag 1, afsnit 1.7.4.1, i henhold til følgende direktiv: **2006/42/EF Maskindirektivet** (Lovinstrumenter 2008 nr. 1597 - Forordninger om levering af maskiner (sikkerhed)).

Undertegnede erklærer på vegne af STANLEY Engineered Fastening



**A. K. Seewraj**

**Director of Engineering, UK**

Avdel UK Limited, Stanley House, Works Road, Letchworth Garden City, Hertfordshire, SG6 1JY STORBRITANNIEN

**Udstedelsessted:** Letchworth Garden City, UK

**Udstedelsesdato:** 24-08-2021

Undertegnede er ansvarlig for udarbejdelsen af den tekniske fil for produkter, der sælges i EU, og afgiver denne erklæring på vegne af Stanley Engineered Fastening.

**Matthias Appel**

**Holdleder for teknisk dokumentation**

Stanley Engineered Fastening, Tucker GmbH, Max-Eyth-Str.1,  
35394 Gießen, Tyskland



Denne maskine er i overensstemmelse med  
Maskindirektivet 2006/42/EF

**STANLEY**  
Engineered Fastening

## 10. UK OVERENSSTEMMELSESERKLÆRING

Vi, **Stanley Engineered Fastening, Stanley House, Works Road, Letchworth Garden City, Hertfordshire, SG6 1JY STORBRITANNIEN**, erklærer på eget ansvar, at produktet:

**Beskrivelse:** HYDROELEKTRISK ELVÆRKTØJ

**Model:** AV<sup>®</sup> 5 STRUKTURELT VÆRKTØJ – 73425-02000

hvtill erklæringen er knyttet, er i overensstemmelse med følgende harmoniserede standarder:

ISO 12100:2010	EN ISO 3744:2010
EN ISO 11202:2010	EN ISO 11148-1:2011
EN ISO 4413:2010	EN ISO 20643:2008+A1:2012
EN ISO 4414:2010	ES100118-rev 17:2017
EN ISO 28927-5:2009+A1:2015	

Teknisk dokumentation er udarbejdet i overensstemmelse med Forordninger om levering af maskiner (sikkerhed) 2008, S.I. 2008/1597 (som ændret).

Undertegnede erklærer på vegne af STANLEY Engineered Fastening



**A. K. Seewraj**

**Director of Engineering, UK**

Avdel UK Limited, Stanley House, Works Road, Letchworth Garden City, Hertfordshire, SG6 1JY STORBRITANNIEN

**Udstedelsessted:** Letchworth Garden City, UK

**Udstedelsesdato:** 24-08-2021



Denne maskine er i overensstemmelse med  
Forordninger om levering af maskiner (sikkerhed)  
2008,  
S.I. 2008/1597 (som ændret)

## 11. BESKYT DIN INVESTERING!

### **Stanley® Engineered Fastening VÆRKTØJ TIL BLINDNITTER - GARANTI**

STANLEY® Engineered Fastening garanterer, at alle elværktøjer er blevet omhyggeligt fremstillet, og at de vil være fri for materiale- og udførelsesfejl under normal brug og service i en periode på et (1) år.

Denne garanti gælder kun for førstegangskøberen af værktøjet til oprindelig brug.

#### **Undtagelser:**

##### **Normal slitage.**

Periodisk vedligeholdelse, reparation, reservedele som følge af normal slitage er undtaget fra dækning.

##### **Forkert brug & misbrug.**

Fejl eller skader, som skyldes forkert betjening, opbevaring, forkert brug eller misbrug, ulykke eller forsømmelse som f.eks. fysisk skade er udelukket fra dækning.

##### **Uautoriseret service eller ændring.**

Mangler eller skader som følge af service, testjustering, installation, vedligeholdelse, ombygning eller ændring på nogen måde af andre end STANLEY® Engineered Fastening eller dets autoriserede servicecentre, er udelukket fra dækning.

Alle andre garantier, enten udtrykt eller underforstået, herunder eventuelle garantier for salgbarhed eller egnethed til formålet udelukkes hermed.

Skulle dette værktøj ikke leve op til garantien, skal du straks returnere værktøjet til det af vores fabriksautoriserede servicecentre, der befinder sig tættest på dig. For en liste over STANLEY® Engineered Fastening autoriserede servicecentre i USA eller Canada, kan du kontakte os på vores gratis nummer (877)364 2781.

Besøg vores websted **website [www.StanleyEngineeredFastening.com](http://www.StanleyEngineeredFastening.com)** for at finde den STANLEY Engineered Fastening filial udenfor USA og Canada.

STANLEY Engineered Fastening vil derefter gratis erstatte enhver del eller dele, som vi finder er defekte på grund af materiale- eller fabrikationsfejl og returnere værktøjet forudbetalt. Dette repræsenterer vores eneste forpligtelse under denne garanti.

Under ingen omstændiger skal STANLEY Engineered Fastening være ansvarlig for følgende eller specielle skader opstået fra købet eller brugen af dette værktøj.

#### **Registrér dit blindnitteværktøj online.**

Besøg os for at registrere din garanti online på

<https://www.stanleyengineeredfastening.com/support/warranty-registration-form>

Tak fordi du har valgt et værktøj af mærket STANLEY® Engineered Fastening's Stanley Assembly Technologies.

©2021 STANLEY Black & Decker  
Kaikki oikeudet pidätetään.

Tässä olevia tietoja ei saa jäljentää ja/tai julkistaa millään tavalla tai millään keinoilla (sähköisesti tai mekaanisesti) ilman STANLEY Engineered Fasteningin etukäteen hankittua kirjallista lupaa. Annetut tiedot perustuvat tuotteen julkaisuhetkellä tiedettyihin tietoihin. STANLEY Engineered Fastening pyrkii jatkuvaan tuotekehittelyyn ja tämän vuoksi tuotteita saatetaan muuttaa. Annetut tiedot soveltuvat tuotteeseen siinä muodossa, kuin STANLEY Engineered Fastening on sen toimittanut. Tämän vuoksi STANLEY Engineered Fasteningia ei voida pitää vastuussa mistään vahingoista, jotka aiheutuvat poikkeamista tuotteen alkuperäisistä teknisistä tiedoista.





Tiedot on laadittu äärimmäisen huolellisesti. STANLEY Engineered Fastening ei kuitenkaan ota vastuuta tietojen virheistä tai virheiden seurauksista. STANLEY Engineered Fastening ei hyväksy vastuuta kolmansien osapuolien suorittamien toimien aiheuttamista vaurioita. STANLEYn käyttämiä alustavia nimiä, kaupp nimiä, rekisteröityjä tavaramerkkejä jne. ei tule pitää ilmaisina tavaramerkkejä suojaavan lainsäädännön mukaisesti.

## SISÄLLYSLUETTELO

<b>1. TURVAMÄÄRITYKSET.....</b>	<b>3</b>
1.1 YLEISET TURVALLISUUSOHJEET.....	3
1.2 SINKOAVIEN OSIEN VAARAT .....	3
1.3 KÄYTTÖVAARAT.....	4
1.4 TOISTUVIEN LIIKKEIDEN VAARAT.....	4
1.5 LISÄVARUSTEIDEN VAARAT.....	4
1.6 TYÖTILAN VAARAT.....	4
1.7 ÄÄNITASON VAARAT.....	5
1.8 TÄRINÄVAARAT.....	5
1.9 HYDRAULISTEN SÄHKÖTYÖKALUJEN LISÄTURVALLISUUSOHJEET.....	5
<b>2. MÄÄRITYKSET .....</b>	<b>6</b>
2.1 KÄYTTÖTARKOITUS.....	6
2.2 TYÖKALUN TEKNISET TIEDOT.....	6
2.3 TYÖKALUN MITAT .....	7
<b>3. KÄYTTÖÖNOTTO .....</b>	<b>8</b>
3.1 TOIMINTAPERIAATE .....	8
3.2 VALMISTELUTOIMET .....	9
<b>4. KÄYTTÖOHJEET .....</b>	<b>10</b>
4.1 AVBOLT®-KIINNIKKEEN ASENTAMINEN .....	10
4.2 AVDELOK® -KIINNIKKEEN ASENTAMINEN.....	10
4.3 NEOBOLT®-KIINNIKKEEN ASENTAMINEN.....	11
<b>5. TYÖKALUN HUOLTO .....</b>	<b>12</b>
5.1 PÄIVITTÄINEN HUOLTO.....	12



5.2	VIIKOITTAINEN HUOLTO .....	12
5.3	VUOSITTAINEN HUOLTO / 250 000 KÄYTTÖKERRAN VÄLEIN.....	12
5.4	HUOLTOSARJA .....	12
5.5	HUOLTOVÄLINEET.....	12
5.6	HYDRAULINEN ÖLJY.....	13
5.7	PURKUOHJEET .....	13
5.8	YMPÄRISTÖNSUOJELU.....	16
<b>6.</b>	<b>LAITEKAAVIO JA OSALUETTELO .....</b>	<b>17</b>
6.1	LAITEKAAVIO.....	17
6.2	OSALUETTELO.....	19
<b>7.</b>	<b>TURVATIEDOT .....</b>	<b>20</b>
7.1	Enerpac® HF HYDRAULIÖLJY - TURVALLISUUSTIEDOT .....	20
7.2	MOLYLITHIUM-RASVA EP 3753 - TURVALLISUUSTIEDOT.....	20
7.3	Molykote® 111 -RASVA - TURVALLISUUSTIEDOT.....	21
<b>8.</b>	<b>VIANMÄÄRITYS .....</b>	<b>22</b>
<b>9.</b>	<b>EY-VAATIMUSTENMUKAISUUSVAKUUTUS .....</b>	<b>24</b>
<b>10.</b>	<b>ISON-BRITANNIAN VAATIMUSTENMUKAISUUSVAKUUTUS.....</b>	<b>25</b>
<b>11.</b>	<b>TURVAA SIOITUKSESI! .....</b>	<b>26</b>

	Kaikkien tätä työkalua asentavien tai käyttävien henkilöiden tulee lukea tämä käyttöohje ja kiinnittää erityistä huomiota seuraaviin varoituksiin ja turvallisuusohjeisiin.
	Käytä aina iskuilta suojaavia suojalaseja työkalun käyttämisen aikana. Vaadittu suojaustaso tulee arvioida kunkin käyttökerran yhteydessä.
	Työkalun käyttämisen aikana käyttäjän kädet voivat altistua murskautumis-, isku-, leikkautumis-, hankautumis- ja lämpövaaroille. Suojaa kädet asianmukaisilla suojakäsineillä.
	Käytä kuulonsuojaimia työnantajan ohjeiden mukaisesti noudattaen työterveyteen- ja turvallisuuteen liittyviä määräyksiä.

## 1. TURVAMÄÄRITYKSET

Alla näkyvät selitykset liittyvät turvallisuuteen. Lue käyttöohje ja kiinnitä huomiota näihin symboleihin.



**VAARA:** Osoittaa välittömästi vaarallisen tilanteen. Jos tilannetta ei vältetä, se aiheuttaa hengen- tai vakavan vaaran.



**VAROITUS:** Osoittaa mahdollisesti vaarallisen tilanteen. Jos tilannetta ei vältetä, se saattaa aiheuttaa hengenvaaran tai vakavia henkilövahinkoja.



**HUOMIO:** Osoittaa mahdollisesti vaarallisen tilanteen. Jos tilannetta ei vältetä, se saattaa aiheuttaa lievän tai keskivakavan loukkaantumisen.



**HUOMIO:** Käytettynä ilman turvallisuuden hälytyskuvaketta osoittaa mahdollisesti vaarallisen tilanteen. Jos tilannetta ei vältetä, se saattaa aiheuttaa omaisuusvahingon.

**Tuotteen virheellinen käyttö tai ylläpito saattaa aiheuttaa vakavan loukkaantumisen ja omaisuusvahingon. Sinun tulee lukea ja ymmärtää kaikki varoitukset ja käyttöohjeet ennen laitteiston käyttöä. Sähkötyökaluja käyttäessä tulee noudattaa aina perusvarotoimia henkilövahinkovaaran välttämiseksi.**

### SÄILYTÄ KAIKKI VAROITUKSET JA OHJEET MYÖHEMPÄÄ KÄYTTÖÄ VARTEN.

#### 1.1 YLEISET TURVALLISUUSOHJEET

- Vaarojen välttämiseksi turvallisuusohjeet tulee lukea ja ymmärtää ennen työkalun asentamista, käyttämistä, korjaamista, huoltamista tai lisävarusteiden vaihtamista tai työkalun lähellä työskentelemistä. Muutoin seurauksena voi olla vakava henkilövahinko.
- Ainoastaan pätevät ja koulutetut käyttäjät saavat asentaa tämän työkalun tai säätää ja käyttää sitä.
- ÄLÄ käytä muuhun käyttötarkoitukseen STANLEY Engineered Fastening -sokkoniittien kiinnittämiseen.
- Käytä vain valmistajan suosittelemia osia, kiinnikkeitä ja lisävarusteita.
- ÄLÄ tee työkaluun muutoksia. Muutokset heikentävät turvaominaisuuksien tehokkuutta ja lisäävät käyttäjän riskejä. Kaikki asiakkaan työkaluun tekemät muutokset ovat täysin asiakkaan omalla vastuulla ja ne mitätöivät kaikki sovellettavat takuut.
- Älä hävitä turvallisuusohjeita, ne tulee antaa käyttäjälle.
- Älä käytä työkalua, jos se on vaurioitunut.
- Tarkista ennen käyttöä liikkuvat osat, niiden kiinnitys, osien eheys ja muut toimintaan vaikuttavat tekijät. Jos havaitset vaurioita, korjauta työkalu ennen sen käyttämistä. Poista jokoavain tai kiintoavain ennen käyttöä.
- Työkalut tulee tarkistaa säännöllisesti työkaluun merkittyjen ISO 11148 -vaatimusten mukaisten arvojen ja merkintöjen hyvän luettavuuden varmistamiseksi. Työnantajan/käyttäjän tulee ottaa yhteyttä valmistajaan, jos uusia merkkejä tarvitaan.
- Koulutetun henkilöstön täytyy aina ylläpitää työkalu turvallisessa työtilassa, ja se tulee tarkistaa säännöllisin väliajoin vaurioiden ja toiminnan osalta. Vain koulutettu henkilöstö saa purkaa laitteen. Älä pura työkalua ilman, että tutustut ylläpito-ohjeisiin.

#### 1.2 SINKOAVIEN OSIEN VAARAT

- Irrota työkalu hydraulisesta pumpusta ennen kuin teet ylläpito-työtä, yrität säätää, asettaa tai irrottaa kärkikokoonpanoa tai lisävarusteita.
- Huomaa, että työstökappaleista tai lisävarusteista, tai jopa itse työkalusta voi singota osia suurilla nopeuksilla.
- Käytä aina iskuilta suojaavia suojalaseja työkalun käyttämisen aikana. Vaadittu suojaustaso tulee arvioida kunkin käyttökerran yhteydessä.

- Arvioi tällöin myös sivullisille aiheutuvat vaarat.
- Varmista, että työstökappale on kiinnitetty hyvin.
- Tarkista, että kiinnikkeiden ja/tai karan suojat ovat paikoillaan ja hyväkuntoisia.
- Varoita karojen mahdollisesta sinkoutumisvaarasta työkalun etuosassa.
- ÄLÄ käytä työkalua, kun se on suunnattu ihmisiin päin.

### 1.3 KÄYTTÖVAARAT

- Työkalun käyttämisen aikana käyttäjän kädet voivat altistua murskautumis-, isku-, leikkautumis-, hankautumis- ja lämpövaaroille. Suojaa kädet asianmukaisilla suojakäsineillä.
- Käyttö- ja huoltohenkilöstön tulee pystyä fyysisesti käsittelemään työkalun kokoa, painoa ja tehoa.
- Työkalun käyttöasennon tulee olla asianmukainen; valmistaudu vastaamaan normaaleihin tai äkkinäisiin liikkeisiin ja käytä työkalua molemmilla käsillä.
- Pidä työkalun kahvat kuivina, puhtaina sekä puhtaina öljystä ja rasvasta.
- Säilytä hyvä tasapaino ja jalansija työkalua käyttäessä.
- Vapauta käynnistys- ja pysäytyslaite hydraulisen syötön keskeytymisen varalta.
- Käytä ainoastaan valmistajan suosittelemia voiteluaineita.
- Vältä kontaktia hydrauliseen nesteeseen. Jos kuitenkin niin käy, pese kontaktialue huolellisesti ihottumien välttämiseksi.
- Hydrauliohjajien ja voiteluaineiden terveydelle vaarallisten aineiden käyttöturvallisuustiedotteet ovat saatavilla pyynnöstä työkalun toimittajalta.
- Vältä sopimattomia asentoja, sillä ne eivät mahdollista vastaamista normaaleihin tai äkkinäisiin työkalun liikkeisiin vastaaminen.
- Jos työkalu on kiinnitetty kannatusjärjestelmään, varmista sen hyvä kiinnitys.
- Varo murskautumis- tai puristumisvaaraa, jos kärkilaitteistoa ei ole asennettu.
- ÄLÄ käytä työkalua, jos kärjen kotelo on irrotettu.
- Työkalun käyttäjän kädet tulee pitää riittävän etäällä ennen jatkamista.
- Kun kannat työkalua paikasta toiseen, pidä kätesi poissa liipaisimelta, jotta vältät työkalun tahattoman käynnistymisen.
- ÄLÄ käytä työkalua väärin pudottamalla se tai käyttämällä sitä vasarana.
- Varo, etteivät kuluneet karat aiheuta vaaratilanteita.

### 1.4 TOISTUVIEN LIIKKEIDEN VAARAT

- Työkalun käyttämisen aikana käyttäjällä voi ilmetä epämiellyttävää tunnetta käsissä, käsivarsissa, olkapäissä, kaulassa tai muissa kehonosissa.
- Työkalun käyttämisen aikana tulee varmistaa miellyttävä asento ja hyvä jalansija. Vältä hankalia tai epätasapainoisia asentoja. Käyttäjän tulee vaihtaa asentoa pitkäaikaisten työtoimenpiteiden aikana; tämä auttaa vähentämään epämukavuutta ja väsymystä.
- Jos käyttäjällä ilmenee oireita, kuten jatkuvaa tai toistuvaa epämukavuutta, kipua, sykähtelyä, särkyä, pistelyä, tunnottomuutta, polttavaa tunnetta tai jäykkyyttä, niitä ei saa jättää huomioimatta. Käyttäjän tulee kertoa niistä työnantajalle ja asiantunnevalle terveydenalan ammattilaiselle.

### 1.5 LISÄVARUSTEIDEN VAARAT

- Irrota työkalu hydraulisesta ja virransyötöstä ennen kärkikokoonpanon tai lisävarusteen asentamista tai irrottamista.
- Käytä ainoastaan kooltaan ja malliltaan työkalun valmistajan suosittelemia lisävarusteita ja tarvikkeita; älä käytä määritetyistä mitoista tai malleista poikkeavia lisävarusteita ja tarvikkeita.

### 1.6 TYÖTILAN VAARAT

- Liukastumiset, kaatumiset ja putoamiset aiheuttavat eniten työtapaturmia. Varo liukkaita alustoja työkalun käytön aikana sekä ilma- tai hydraulisen letkun aiheuttamaa kompastumisvaaraa.
- Noudata varovaisuutta tuntemattomissa ympäristöissä. Olemassa voi olla piileviä vaaroja, kuten sähköjohtoja tai muita johtoja/putkia.
- Työkalua ei saa käyttää räjähdysalttiissa ympäristöissä eikä sitä ole eristetty sähkövirralta.
- Varmista, ettei ympäristössä ole sähköjohtoja, kaasuputkia, jne., jotka voivat aiheuttaa vaaroja työkalun vahingoittaessa niitä.
- Pukeudu oikein. Älä käytä löysiä vaatteita tai koruja. Pidä hiukset, vaatteet ja kädet loitolla liikkuvista osista. Löysät vaatteet, korut tai pitkät hiukset voivat tarttua liikkuviin osiin.
- Varo, etteivät kuluneet karat aiheuta vaaratilanteita.

### 1.7 ÄÄNITASON VAARAT

- Suurille äänitasoille altistuminen voi aiheuttaa pysyviä ja vakavia kuulovaurioita ja muita ongelmia, kuten tinnitusta (soimista, vinkumista, kohinaa korvissa). Näiden vaarojen riskinarviointi ja asianmukaiset hallintatoimet ovat täten oleellisen tärkeitä.
- Riskiä vähentävät asianmukaiset hallintatoimet sisältävät muun muassa työstökappaleiden "soimista" ehkäisevät vaimennusmateriaalit.
- Käytä kuulonsuojaimia työnantajan ohjeiden mukaisesti noudattaen työterveyteen- ja turvallisuuteen liittyviä määräyksiä.
- Työkalua tulee käyttää ja ylläpitää ohjekirjan suositusten mukaisesti äänitason turhan nousemisen välttämiseksi.

### 1.8 TÄRINÄVAARAT

- Tärinälle altistuminen voi aiheuttaa vakavia vammoja käsien ja käsivarsien hermostoon ja verenkiertoon.
- Käytä lämmintä vaatekappausta kylmissä käyttöolosuhteissa ja pidä kädet lämpiminä ja kuivina.
- Jos sormissa tai käsissä ilmenee tunnottomuutta, pistelyä, kipua tai ihonvärin vaalentumista, lopeta työkalun käyttö ja kerro asiasta työnantajalle ja lääkärille.
- Kun mahdollista, tue työkalun painoa telineellä, kiristimellä tai tasapainottimella kevyemmän otteen mahdollistamiseksi.

### 1.9 HYDRAULISTEN SÄHKÖTYÖKALUJEN LISÄTURVALLISUUSOHJEET

- Hydraulinen syöttö ei saa ylittää 550 baaria (8000 PSI).
- Paineenalainen öljy voi aiheuttaa vakavia henkilövahinkoja.
- Älä asenna joustavia hydraulisia letkuja, joiden nimelliskäyttöpaine on alle 700 bar (10 000 PSI) virtausnopeudella 2,73 l/min (200 in 3/min).
- Älä koskaan jätä toimivaa työkalua valvomatta. Irrota hydraulinen letku ja sähköjohto pumppuyksiköstä, kun työkalua ei käytetä, ennen lisävarusteiden vaihtamista tai työkalun korjaamisen yhteydessä.
- Vapaasti liikkuvat ja iskeytyvät letkut voivat aiheuttaa vakavia henkilövahinkoja. Tarkista aina letkujen ja kiinnitysosien ehjyys sekä kireys.
- Tarkasta hydrauliletkut vaurioiden varalta ennen käyttöä. Kaikkien hydrauliliitosten on oltava puhtaita, täysin kiinni ja tiiviitä ennen käyttöä. Älä pudota painavia esineitä letkujen päälle. Terävä isku voi aiheuttaa sisäisiä vaurioita ja johtaa letkun ennen aikaiseen vahingoittumiseen.
- Kun käytetään yleismallisia kierrelähtimiä (liitoskappaleet), lukitustapit tulee asentaa ja turvakaapeleita tulee käyttää mahdollisten letkun ja työkalun sekä letkujen välisten liitäntävikojen välttämiseksi.
- ÄLÄ nosta asetustyökalua letkusta tai sähköjohdosta. Käytä aina asetustyökalun kahvaa.
- ÄLÄ vedä tai siirrä hydraulista pumppuyksikköä letkuista. Käytä aina pumppuyksikön kahvaa tai turvakaarta.
- Pidä lika ja vieraat esineet poissa työkalun hydraulijärjestelmästä, koska ne voivat aiheuttaa työkalun toimintahäiriön.
- Käytä ainoastaan puhdasta öljyä ja täyttölaitteistoja.
- Käytä ainoastaan suositeltuja hydraulinesteitä.
- Hydraulikoneikot vaativat vapaan ilmavirtauksen jäähdytystä varten ja ne tulee täten sijoittaa hyvin tuuletettuun tilaan, jossa ei ole vaarallisia höyryjä.
- Hydraulinesteen maksimilämpötila sisääntulossa on 110 °C (230 °F).

**STANLEY Engineered Fastening pyrkii jatkuvasti kehittämään ja parantamaan tuotteitaan, pidätämme oikeuden tuotteen teknisten tietojen muutoksiin ilman erillistä ilmoitusta.**

## 2. MÄÄRITYKSET

### 2.1 KÄYTTÖTARKOITUS

AV<sup>®</sup>5-asennustyökalu on pääasiassa mäntä- ja sylinterikokoonpano. Kun työkalu liitetään hydraulisesti ja sähköisesti yhteensopivaan hydrauliseen virtalähteeseen ja asianmukainen kärkikokoonpano asennetaan, sitä käytetään kiinnikkeiden asentamiseen teollisissa ympäristöissä (mukaan lukien 3/8" Avdelok<sup>®</sup>, 3/8" NeoBolt<sup>®</sup>, 5/16" Avbolt<sup>®</sup> ja Ø16 mm Avseal<sup>®</sup>).

Asetustyökalua ja hydraulista pumppuyksikköä saa käyttää ainoastaan Stanley Engineered Fastening -niittien käyttöohjeiden mukaisesti.

Katso soveltuvat kiinnikkeet ja vastaavat kärkilaitteistot alla olevasta taulukosta.

Katso kärkikokoonpanon asianmukaiset ohjeet taulukon tietolomakkeista.

**ÄLÄ** käytä kosteissa olosuhteissa tai jos laitteen lähellä on syttyviä nesteitä tai kaasuja.

KIINNIKE	KÄRKIKOKOONPANO				KÄRKIKOKOONPANO TIELOMAKE
	TYYPPI	KOKO	OSANUMERO	HALK. 'A'	HALK. 'B'
AVBOLT <sup>®</sup>	1/4"	07220-07500	70 mm	19 mm	07900-00905
	5/16"	07220-07700	100 mm	27 mm	07900-00905
AVDELOK <sup>®</sup>	5/16"	07220-05600	130 mm	27 mm	
	3/8"	07220-02000	100 mm	27 mm	
AVSEAL <sup>®</sup> II	16 mm	07220-06800	100 mm	27 mm	07900-00840
AVTAINER <sup>®</sup>	3/8" *	71230-15600	130 mm	23 mm	
MONOBOLT <sup>®</sup>	1/4" *	71230-15800	130 mm	27 mm	
	3/8"	07220-07200	110 mm	27 mm	
NEOBOLT <sup>®</sup>	5/16"	73200-05000	100 mm	27 mm	07900-01071
	3/8"	73200-05100	100 mm	27 mm	07900-01071

Huomautuksia:

Pituusmitat on pyöristetty.

\* Tämä kärkikokoonpano edellyttää sovittimen (osanro 07267-00800) asentamista.

\*Kärkikokoonpano leukojen vapautuksella.

Katso kärkikokoonpanon mitat 'A' ja 'B' sivun 8 kuvasta.

Turvaohjeita täytyy noudattaa aina.

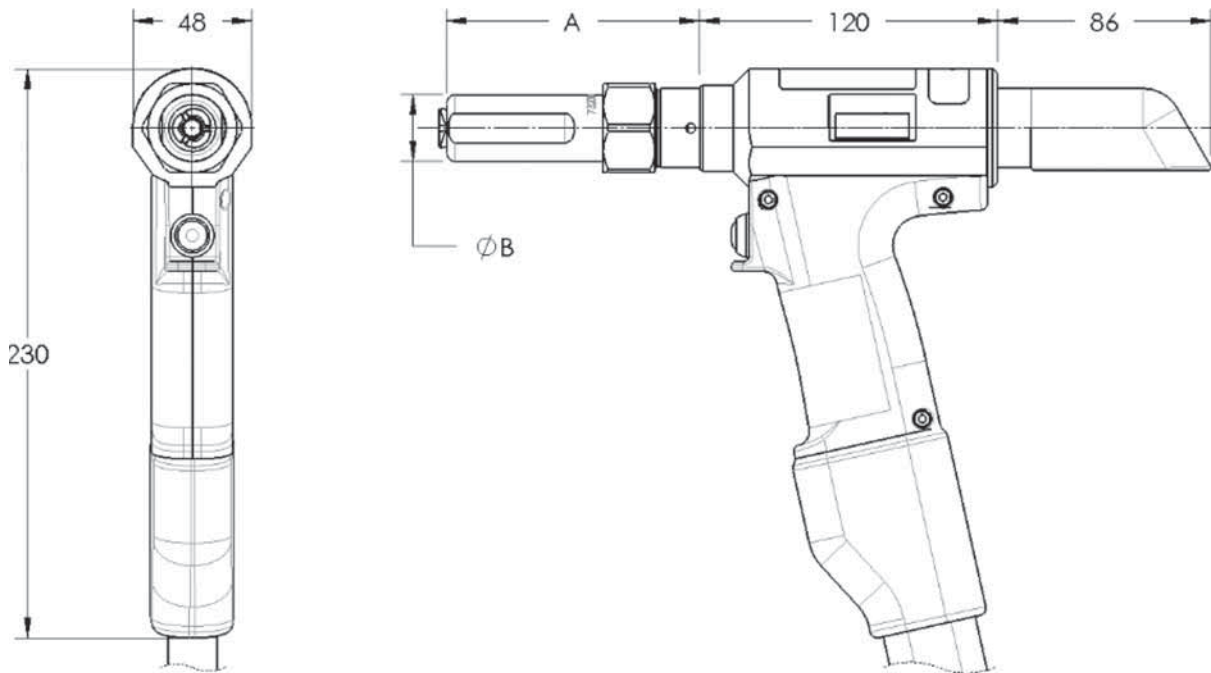
### 2.2 TYÖKALUN TEKNISET TIEDOT

	MÄÄRITYKSET	METRIT	TUUMAKOOT
Voima:	Veto ilmoitetussa vetopaineessa	36,0 kN	8992,4 lbf
	Irti painanta ilmoitetussa palautuspaineessa	17,5 kN	3934,1 lbf
Paine:	Veto	510 bar	7396,9 lbf/in <sup>2</sup>
	Palautus	200 bar	2900,7 lbf/in <sup>2</sup>
Isku:	Männän vähimmäisisku	30,0 mm	1,18 in
Paino:	Kärkilaitteistolla ja letkulla	2,9 kg	6,4 lb
Hydraulinen öljy:	Enerpac Hydraulic Oil - HF-95X	-	-
	Varren poistuminen		Takana
	Tiivistekokoonpano	Kaksoisreunan ja pyyhkimen tiivisteet	
Lisäominaisuudet:	Hydrauliset laakerirenkaat	Kyllä – Edessä ja takana	
	Suojakahva / letkukiinnitin		Kyllä
	Letkun suoja		Kyllä
	Letkun/kaapelin kiinnittimet		Kyllä

Äänitasot määritetty äänitason testistandardin ISO 15744 ja ISO 3744 mukaisesti.		AV5
A-painotettu äänitehotaso dB(A), LWA	Epävarmuus, ääni: kWA = 3,0 dB(A)	86,9 dB(A)
A-painotettu äänenpainetaso työasemassa dB(A), LpA	Epävarmuus, ääni: kpA = 3,0 dB(A)	75,9 dB(A)
C-painotettu äänenpainetaso huippuarvo dB(C), LpC, huippu	Epävarmuus, ääni: kpC = 3,0 dB(C)	81,1 dB(C)

Äänitasot määritetty äänitason testistandardin ISO 20643 ja ISO 5349 mukaisesti		AV5
Tärinätaaso, ahd:	Tärinän epävarmuus: k = 1,34 m/s <sup>2</sup>	2,69 m/s <sup>2</sup>
Ilmoitetut tärinäarvot standardin EN 12096 mukaisesti		

### 2.3 TYÖKALUN MITAT



Kaikki mitat on annettu millimetreinä. Kuvassa on asennettuna 3/8" NeoBolt® -kärkikokoonpano. Työkalun ulkomuoto voi vaihdella asennetun kärkikokoonpanon mukaan.

Katso kärkikokoonpanon mitat 'A' ja 'B' sivun 7 taulukosta.

Työkalussa on kaksi hydraulista letkua ja 0,6 m pituinen sähköinen ohjauskaapeli. Muita hydraulisia letkuja ja jatkojohtoja on tilattavissa erikseen tarpeen mukaan. Katso saatavilla olevien letkukokoonpanojen pituudet ja vastaavat osanumerot alla olevasta taulukosta.

HYDRAULINEN LETKUKOKOONPANO	
OSANUMERO	LETKUN PITUUS
07008-00448	5 metriä
07008-00449	10 metriä
07008-00450	15 metriä

## 3. KÄYTTÖNOTTO

### 3.1 TOIMINTAPERIAATE

**TÄRKEÄÄ - SIVUJEN 4-6 TURVALLISUUSOHJEET JA PUMPPUYKSIKÖN KÄYTTÖOHJEET TULEE LUKEA HUOLELLISESTI ENNEN LAITTEEN KÄYTTÖNOTTOA.**

Kun letkut ja ohjauskaapeli on liitetty hydrauliseen Avdel® / Enerpac® -pumppuyksikköön, työkalun veto- ja palautusjaksoja hallitaan painamalla kahvassa olevaa liipaisinta ja vapauttamalla se.

Kytkintä painaessa hydraulisessa pumppuyksikössä oleva magneettiventtiili saa virtaa syöttäen paineenalaisen öljyvirtauksen asetustyökalun männän vetopuolelle. Tämä mahdollistaa myös öljyn palaamisen säiliöön asetustyökalun palautuspuolella.

Vetovaiheiden aikana mäntä-/holkkikokoonpano siirtyy työkalun takaosaa kohti niin, että O-rengasta muistuttava tyyny painaa jälkikappaletta ja leukoja eteenpäin. Jos kiinnitystappi on asennettu kärkikokoonpanoon, leukasarja kiinnittyy niittipäähän ja kiinnitysprosessi alkaa.

Avbolt- ja Avdelok® -kiinnikkeissä kiinnitettävä sauma kiinnitetään ensimmäiseksi, alasin siirtyy sen jälkeen edelleen eteenpäin ja holkki puristuu tapin lukitusuriin. Puristusjakson päättyessä alasin siirtyy saumaa vasten ja niittipää rikkoutuu liikkeen jatkuessa.

Liipaisin tulee vapauttaa välittömästi niitin rikkoutuessa. Kun liipaisin vapautetaan, solenoidi poistaa virran ja muuttaa paineenalaisen öljyn suuntaa.

Jos liipaisinta ei vapauteta, asetustyökalun mäntä siirtyy edelleen työkalun takaosaa kohti, kunnes se saavuttaa liikealueen raja-asennon. Vetopuolen paine kasvaa sen jälkeen, kunnes pumppu saavuttaa esiasetetun "suuren painearvon". Magneettiventtiili katkaisee tällöin virran automaattisesti muuttaen paineenalaisen öljyn suuntaa asetustyökalun palautuspuolelle.

Molemmissa tapauksissa paineenalainen öljy virtaa asetustyökalun palautuspuolelle ja vetopuolen öljy palaa säiliöön.

Asennettu kiinnike poistuu alasimesta mäntä-/holkkikokoonpanon liikkeessä eteenpäin.

Kun liipaisin vapautetaan tai "suuri painearvo" saavutetaan, magneettiventtiili katkaisee virran ja aktivoi esiasetuksen "palautusajastin". Tämä säättää pumppumootorin toiminta-aikaa ennen tyhjäkäyntitilaan siirtymistä. Ajastin voidaan asettaa manuaalisesti 5-20 sekuntiin, jotta asetustyökalun mäntä palaisi aina kokonaan etuasentoon (katso pumpun ohjekirjan 07900-01030 sivut 10-13).

Kun mäntä palaa kokonaan etuasentoon, paine kasvaa esiasetettuun alhaiseen painearvoon - c200bar. Pumppumootori jatkaa käymistä, kunnes palautusajastimen aika on päättynyt. Tämän ajan kuluessa loppuun moottori pysähtyy automaattisesti ja venttiili siirtyy tyhjäkäyntitilaan. Magneettiventtiili käy sen jälkeen automaattisesti paineenalaisen öljyn vapauttamiseksi säiliöön asetustyökalun veto- ja palautuspuolelta.

Tämä pitää asennustyökalun etuasennossa. Painetta ei ole tällöin hydraulisessa järjestelmässä.

Hydraulinen pumppuyksikkö käynnistyy automaattisesti työkalun liipaisinta painaessa.



### 3.2 VALMISTELUTOIMET

**HUOMIO - OIKEAT VETO- JA PALAUTUSPAINEEET OVAT TÄRKEITÄ ASENNUSTYÖKALUN VIRHEETTÖMÄN TOIMINNAN KANNALTA. ILMAN OIKEITA PAINEEITA VOI TAPAHTUA HENKILÖVAHINKOJA TAI LAITTEET VOIVAT VAHINGOITTUA. HYDRAULISEN PUMPPUYKSIKÖN VETO- JA PALAUTUSPAINEEET EIVÄT SAA YLITTÄÄ ASETUSTYÖKALUN MÄÄRITYKSISSÄ ANNETTUJA PAINEARVOJA.**

**TÄRKEÄÄ – ENNEN ASETUSTYÖKALUN JA HYDRAULISEN LETKUSARJAN KÄYTTÖÖNOTTAMISTA:**

**VARMISTA, ETTÄ PUMPUN PAINEEALENNUSVENTTIILIT ON ASETETTU PUMPUN OHJEIDEN MUKAISESTI NOUDATTAEN ASETUSTYÖKALUN JA LETKUJEN ANNETTUJA MAKSIMIPAINEARVOJA.**

**VARMISTA, ETTÄ LETKUSARJA ALUSTETAAN HYDRAULISELLA NESTEELLÄ PUMPUN OHJEKIRJAN 07900-01030 OHJEIDEN MUKAISESTI.**

- Varmista, että hydraulisen pumppuyksikön virransyöttö on katkaistu.
- Liitä hydraulisen letkun pikaliittimet suoraan pumppuyksikköön ennen sähköisen ohjauskaapelin liittämistä. Letkut ja ohjauskaapeli tulee liittää tässä järjestyksessä ja irrottaa päinvastaisessa järjestyksessä.
- Kytke hydraulisen pumppuyksikön virransyöttö päälle. Odota 5 sekuntia ennen liipaisimen painamista varmistaaksesi, että pumppuyksikön käynnistysprosessi päättyy. Kun kaikki on valmista, pumppuyksikön LCD-näytössä näkyy 'AVDEL'.
- Käynnistysjakson aikana pumpun ohjausjärjestelmä tunnistaa liipaisimen toiminnot mahdollisiksi toimintahäiriöiksi estäen moottorin käynnistymisen. LCD-näytössä näkyy tällöin 'PAINIKEVIRHE'. Nollaa virransyötön katkaisu 10 sekunniksi.
- Varmista, että asetustyökalu on asetettu pumppusäiliöiden alapuolelle. Paina ja vapauta asetustyökalun liipaisin muutamia kertoja lähes työkalun liikealueen ääriasentoon hydraulisen nesteen kierron varmistamiseksi ja ilman poistamiseksi työkalusta.
- Tarkkaile työkalun toimintaa. Tarkista nestevuodot ja varmista, että mäntä on kokonaan edessä tyhjäkäyntitilassa. Asetustyökalu alustetaan.
- Katkaise pumppuyksikön virta ja irrota asetustyökalu pumppuyksiköstä noudattaen yllä annettuja ohjeita päinvastaisessa järjestyksessä.
- Liitä asetustyökalu nyt alustettuun hydrauliseen letkusarjaan ja sähköiseen ohjauskaapeliin. Liitä tämän jälkeen hydraulisen letkusarjan liittimet ja sähköinen ohjauskaapeli pumppuyksikköön.
- Liitä kärkekköönpano työkaluun noudattamalla vastaavan kärkekköönpanon tietolomakkeen ohjeita.
- Kytke hydraulisen pumppuyksikön virransyöttö päälle yllä annettujen ohjeiden mukaisesti.
- Paina ja vapauta asetustyökalun liipaisin muutamia kertoja lähes työkalun liikealueen ääriasentoon hydraulisen nesteen kierron varmistamiseksi.
- Asetustyökalu on nyt valmis käyttöön.

## 4. KÄYTTÖOHJEET

### 4.1 AVBOLT®-KIINNIKKEEN ASENTAMINEN

Katso lisätietoa tästä kiinnikkeestä kärkikokoonpanon tietolomakkeesta sivun 7 taulukon mukaisesti. Alla annetut tiedot ovat viitteellisiä.

- Tarkista työkappale ja poista liialliset raot. (Raot ovat sauman osien välisiä tiloja. Rako on liian suuri, jos holkin läpi ei kiinnity riittävästi niittipäätä kärkikokoonpanon leukojen kiinnittymistä varten).
- Aseta Avbolt-kiinnike reikään.
- Paina kärkikokoonpano niittiin, kunnes kärkikokoonpanon alasin pysähtyy holkkia vasten. Työkalua ja kärkikokoonpanoa tulee pitää oikeissa kulmissa (90°) työkappaleeseen nähden.
- Käynnistä asennusprosessi painamalla työkalun liipaisinta.
- Vapauta, kun kärkikokoonpanon alasimen liike eteenpäin pysähtyy ja niittipää rikkoutuu. Työkalu siirtyy palautusliikkeeseen ja painaa asennetun kiinnikkeen irti. Palautusliikkeen lopussa leuat vapauttavat pidennetyn niittipään osittain ja se voidaan sitten painaa leukojen läpi seuraavan asennuksen yhteydessä ja poistaa työkalun takaosasta.
- Kun asennettu kiinnike on poistettu, työkalu ja kärkikokoonpano ovat valmiita seuraavaa asennusta varten.

### 4.2 AVDELOK® -KIINNIKKEEN ASENTAMINEN

Katso lisätietoa tästä kiinnikkeestä kärkikokoonpanon tietolomakkeesta sivun 7 taulukon mukaisesti. Alla annetut tiedot ovat viitteellisiä.

- Tarkista työkappale ja poista liialliset raot. (Raot ovat sauman osien välisiä tiloja. Rako on liian suuri, jos holkin läpi ei kiinnity riittävästi niittipäätä kärkikokoonpanon leukojen kiinnittymistä varten).
- Aseta Avdelok®-kiinnike reikään.
- Liu'uta Avdelok®-holkki niitin päälle. (Holkin kaltevan pään tulee osoittaa kärkikokoonpanoa ja työkalua kohti).
- Paina kärkikokoonpano niittiin, kunnes kärkikokoonpanon alasin pysähtyy holkkia vasten. Työkalua ja kärkikokoonpanoa tulee pitää oikeissa kulmissa (90°) työkappaleeseen nähden.
- Käynnistä asennusprosessi painamalla työkalun liipaisinta.
- Vapauta, kun kärkikokoonpanon alasimen liike eteenpäin pysähtyy ja niittipää rikkoutuu. Työkalu siirtyy palautusliikkeeseen ja painaa asennetun kiinnikkeen irti. Palautusliikkeen lopussa leuat vapauttavat pidennetyn niittipään osittain ja se voidaan sitten painaa leukojen läpi seuraavan asennuksen yhteydessä ja poistaa työkalun takaosasta.
- Kun asennettu kiinnike on poistettu, työkalu ja kärkikokoonpano ovat valmiita seuraavaa asennusta varten.

**HUOMIO - ÄLÄ YRITÄ RIKKOA NIITTIPÄÄTÄ ASENTAMATTA HOLKKIA, MUUTOIN AVDELOK- TAI AVBOLT-NIITTIPÄÄN IRTONAINEN OSA POISTUU KÄRJESTÄ SUURELLA NOPEUDELLA JA VOIMALLA.**

### 4.3 NEOBOLT®-KIINNIKKEEN ASENTAMINEN

Katso lisätietoa tästä kiinnikkeestä kärkikokoonpanon tietolomakkeesta sivun 7 taulukon mukaisesti. Alla annetut tiedot ovat viitteellisiä.

- Aseta NeoBolt®-niittipää reikään ja paina se kokonaan sauman kerrosten läpi.
- Asenna NeoBolt®-holkki niittipään päälle (holkin laipallisen pään tulee olla työstökappaletta lähinnä) ja kierrä sitä myötäpäivään holkin kiinnittämiseksi niitin yläkierteisiin vähintään puolen kierroksen verran.
- Paina holkki kokonaan niitin päälle vetämällä sen päätä, kunnes holkki peittää kokonaan NeoBolt®-**niitin** vetouran ja vetopää koskettaa holkin pysäytintä. Asetustyökalua tulee pitää kohtisuorassa (90°) työkappaleen pintaan.
- Käynnistä asennusprosessi painamalla ja pitämällä työkalun liipaisinta. Holkki kiinnittää NeoBolt®-**niitin** ja vetää alasimen ylös holkkia vasten.
- Pidä liipaisinta edelleen alhaalla, kunnes holkki puristuu kokonaan ja alasimen liike eteenpäin pysähtyy holkin laippaa vasten. Asetustyökalun mäntä ja holkki palaavat sen jälkeen automaattisesti painaen alasimen irti asennetusta holkista ja vapauttaen niittipään holkista.
- Vapauta liipaisin.
- Kun asennettu kiinnike on poistunut alasimesta, asetustyökalu, kärkikokoonpano ja pumppuyksiköt ovat valmiita seuraavaa asennusta varten.

**HUOMIO – Älä vapauta liipaisinta, kunnes asetustyökalun vetojakso on päättynyt ja pumppuyksikkö sekä työkalu ovat siirtyneet automaattisesti palautusjaksoon. Jos liipaisin vapautetaan ennen tätä kohtaa, NeoBolt®-kiinnike sijoittuu virheellisesti ja kiinnittyy vain osittain.**

## 5. TYÖKALUN HUOLTO

**TÄRKEÄÄ - LUE TURVALLISUUSOHJEET SIVUILTA 4-6. TYÖNANTAJAN VASTUULLA ON VARMISTAA, ETTÄ HUOLTOHENKILÖSTÖ SAA TYÖKALUN HUOLTO-OHJEET. KÄYTTÄJÄ EI SAA OSALLISTUA TYÖKALUN HUOLTOON TAI KORJAAMISEEN, ELLEI KÄYTTÄJÄ OLE SAANUT ASIANMUKAISTA KOULUTUSTA. TYÖKALU TULEE TARKISTAA SÄÄNNÖLLISESTI VAURIOIDEN JA TOIMINTAHÄIRIÖIDEN VARALTA.**

### 5.1 PÄIVITTÄINEN HUOLTO

- Tarkista asetustyökalu, letkut ja pikaliittimet öljyvuotojen varalta.
- Kuluneet tai vaurioituneet letkut ja liitännät tulee vaihtaa.
- Tarkista, että työkalun isku täyttää määräykset.
- Tarkista, että päätysuoja on asennettu hyvin ja tiukasti AV®5-runkoon.
- Tarkista, että varren ohjain on asennettu.
- Tarkista, että pumpun vedon/liikkeen paineenalennusventtiili toimii virheettömästi.
- Tarkista, että kärkilaitteisto sopii kiinnitettävään niittiin ja että se on oikein paikoillaan.
- Tarkista alasimen kulumisen asennetun holkin uramerkeistä. Tämä voidaan vahvistaa myös kiinnikekatalogin asennustietojen avulla. Liiallinen kulumisen voi aiheuttaa alasimen rikkoutumisen.

### 5.2 VIIKOITTAINEN HUOLTO

- Pura puhdista kärkikokoonpano, erityisesti kärkikokoonpanon tietolomakkeessa kuvatut leuat.
- Tarkista asetustyökalu, letkut ja pikaliittimet öljyvuotojen varalta.

**HUOMIO – Työkalun metallittomien osien puhdistamiseen ei saa käyttää liuottimia tai muita vahvoja kemikaaleja. Nämä**

**kemikaalit voivat heikentää näiden osien valmistuksessa käytettyjä materiaaleja.**

### 5.3 VUOSITTAINEN HUOLTO / 250 000 KÄYTTÖKERRAN VÄLEIN

- Työkalu tulee purkaa kokonaan ja kuluneet, vaurioituneet tai suositellut osat tulee vaihtaa uusiin vuosittain tai 250 000 käyttöjakson jälkeen (riippuen siitä, kumpi tulee aikaisemmin). Kaikki O-renkaat, varmistusrenkaat ja tiivisteet tulee vaihtaa ja voidella MolyKote® 111 -rasvalla ennen asentamista.

### 5.4 HUOLTOSARJA

Seuraava huoltosarja on saatavilla täydellistä huoltoa varten:

HUOLTOSARJA: 73425-99990			
OSANUMERO	KUVAUS	OSANUMERO	KUVAUS
07005-10118	Pikaliitin – ulkokierteet	07900-01103	AV®5 Mäntäohjaimen laippa
07005-10120	Pikaliitin – sisäkierteet	07900-01104	AV®5 Päätysuojakokoonpano
07900-00043	AV®5 Männän korkki – edessä AV®5	07992-00020	Rasva – MolyLithium EP3753
07900-01101	Männän korkki – takana	07900-00755	Rasva – MolyKote 111
07900-01102	AV®5 Etutiiviste ohjaustanko	07900-00756	Loctite 243 Kierrelukite
		07002-00478	M4 X 20 Holkin HD kantaruuvi

### 5.5 HUOLTOVÄLINEET

Seuraavat tavalliset työkalut ovat myös tarpeen:

- Kuusiokoloavain: 2,0 / 3,0 mm
- Avopäinen ruuviavain: 12 / 14 / 18 / 24 / 45 mm A/F
- PTFE-teippi: 10 mm
- Ruuvipenkki leukasuojilla – 150 mm

## 5.6 HYDRAULINEN ÖLJY

**HUOMIO – Käytä ainoastaan hydraulista Enerpac® HF -öljyä – muiden öljyjen käyttö voi aiheuttaa toimintahäiriöitä asetustyökaluun sekä pumppuun ja mitätöi asetustyökalun takuun.**

Hydraulinen öljy on tilattavissa seuraavilla osanumeroilla.

HYDRAULIÖLJY			
OSANUMERO	07992-00081	07992-00082	07992-00083
Enerpac®-osnumero	HF-95X	HF-95Y	HF-95T
Määrä	1 litra	5 litraa	20 litraa
Viskositeetti	32 mm <sup>2</sup> /s	32 mm <sup>2</sup> /s	32 mm <sup>2</sup> /s

## 5.7 PURKUOHJEET

**TÄRKEÄÄ – VARMISTA, ETTÄ HYDRAULISEN PUMPPUYKSIKÖN VIRRANSYÖTTÖ ON KATKAISTU ENNEN KÄRKIKOKOONPANON IRROTTAMISTA TAI ASETUSTYÖKALUN PURKAMISTA.**

**Ennen purkamista:**

- Irrota pikaliittimet **9** ja **10** sekä sähköinen ohjauskaapeli **14** asetustyökalun ja hydraulisen letkukokoonpanon välistä.
- Irrota kärkikokoonpano asetustyökalusta noudattamalla vastaavan kärkikokoonpanon tietolomakkeen ohjeita.
- Työprosesseista syntyvät mahdollisesti vaarallisten aineiden kertymät tulee poistaa koneikosta ennen huoltoa.

Suosittellemme purkamaan työkalun sivujen **14 - 17** ohjeita noudattamalla työkalun täydellistä huoltoa varten. Purkamisen jälkeen suosittelemme vaihtamaan kaikki tiivisteet.

**Päämäntäkokoonpano:**

- Poista ohjain **3** päätysuojasta **15**.
- Kiinnitä työkalun kahva pehmeillä leuoilla varustettuun ruuvipenkkiin niin, että työkalun kärki osoittaa alaspäin. Aseta \*pätysuojan asennusvälineen ohjaustappi päätysuojan **15** kolmeen reikään.
- Irrota ja poista päätysuoja **15** rungosta 1 käyttämällä 45 mm A/F -ruuviavainta.
- Irrota O-rengas **28** päätysuojasta **15** pienellä ruuvitaltalla ja hävitä se.
- Liitä varaosa ”\*Pikaliitin - ulkokierteet” osaan ”Pikaliitin - sisäkierteet” **10** hydrauliseen letkuun - palautus **24**. Tämä vapauttaa paineen männän **18** palautuspuolelta ja helpottaa takatiivisteiden **16** irrottamista. Huomaa: Hydraulioöljy poistuu pikaliittimestä – ulkokierteet
- Aseta kolme M4-ruuvia takatiivisteeseen **16** ja vedä niiden avulla osa pois männän **18** taka-akselista ja rungosta **1**.
- Poista O-rengas **31** ja kierteinen varmistusrengas **30** takatiivisteiden **16** ulkoisesta urasta pienellä ruuvitaltalla tai vastaavalla työkalulla ja hävitä se. Varo tiivisteiden irrottamisen yhteydessä, ettei ruuvitaltta vahingoita takatiivistettä.
- Poista tangon tiiviste **29** ja pyyhkimen tiiviste **33** takatiivisteiden **16** sisäisistä urista ja hävitä ne. Varo tiivisteiden irrottamisen yhteydessä, ettei ruuvitaltta vahingoita takatiivistettä.
- Poista takimmainen laakerirengas **32** ja tarkista osa kulumisen ja vaurioiden varalta. Hävitä tarvittaessa.
- Poista asetustyökalu ruuvipenkistä ja tyhjennä hydraulinen öljy työkalun takaosasta. Poista varaosa ”\*Pikaliitin - ulkokierteet” osasta ”Pikaliitin - sisäkierteet” **10** hydraulisessa letkussa - palautus **24**.

Kaikki lihavoidut numerot viittaavat laitekaavioon ja osaluetteloon, jotka on annettu sivuilla 18, 19 ja 20.

- \* Huoltosarja sivulla 13
- Liitä varaosa ”\*Pikaliitin - sisäkierteet” osaan ”Pikaliitin - ulkokierteet” **9** hydraulisessa letkussa - veto **25**. Tämä vapauttaa paineen männän **18** vetopuolelta ja helpottaa männän irrottamista. Huomaa: Hydraulioöljy poistuu pikaliittimestä – sisäkierteet.

- Ruuvaa ”\*Männän korkki - etuosa” männän **18** etuosaan.
- Aseta runko **1** ruuvipenkkiin kärkiosa ylöspäin. Napauta sitten mäntää **18** rungon takaosaa kohti pehmeällä nuijalla ja takaosasta ulos varoen rungon aukon vaurioitumista.
- Huomaa, että männän **18** poistamisen yhteydessä männän **18** vetopuolen öljyä vuotaa rungon **1** etu- ja takaosasta.
- Kun mäntä **18** poistetaan, etutiiviste **17** voidaan pitää männän akselissa. Irrota tässä tapauksessa ”\*Männän korkki - etuosa” ja vedä etutiiviste irti männästä.
- Poista männän tiiviste **35** ja kaksi puristumisen estävää rengasta **34** pienellä ruuvitaltalla männän **18** ulkoisesta urasta ja hävitä ne. Varo tiivisteiden irrottamisen yhteydessä, ettei ruuvitalta vahingoita männän pintaa.
- Jos etutiiviste **17** pysyy edelleen rungossa **1**. Aseta runko ruuvipenkille kärki ylöspäin ja paina sitten etutiiviste etuosasta, kunnes se vapautuu rungon aukosta. Etutiiviste voidaan tämän jälkeen irrottaa rungon takaosasta. Varo rungon aukon vaurioitumista tämän toimenpiteen aikana.
- Poista O-rengas **38** ja kierteinen varmistusrenkas **39** etutiivisteeseen **17** ulkoisesta urasta pienellä ruuvitaltalla ja hävitä ne. Varo tiivisteiden irrottamisen yhteydessä, ettei ruuvitalta vahingoita etutiivistettä.
- Poista tangon tiiviste **36** ja pyyhkimen tiiviste **40** etutiivisteeseen **17** sisäisistä urista ja hävitä ne. Varo tiivisteiden irrottamisen yhteydessä, ettei ruuvitalta vahingoita etutiivistettä.
- Poista etummainen laakerirengas **37** ja tarkista osa kulumisen ja vaurioiden varalta. Hävitä tarvittaessa.
- Poista varaosa ”\*Pikaliitin - sisäkierteet” osasta ”Pikaliitin - ulkokierteet” **9** hydraulisessa letkussa - veto **25**.

#### Asenna osat noudattamalla purkuohjeita päinvastaisessa järjestyksessä ja huomioimalla seuraavat:

- Puhdista kaikki osat ennen asentamista.
- Voit helpottaa tiivisteiden asentamista levittämällä kaikkiin tiivisteisiin, tiivisteuriin, varmistusrenkaisiin sekä asennustyökaluihin ohuen kerroksen Molykote® 111 -rasvaa.
- Liu’uta O-rengas **38** etutiivisteeseen **17** päälle ulkoiseen uraan. Aseta kierteinen varmistusrenkas **39** samaan uraan asennetun O-renkaan etuosassa. Katso O-renkaan ja kierteisen varmistusrenkaan oikeat suunnat laitekaaviosta ja osaluettelosta.
- Paina etummainen laakerirengas **36** etutiivisteeseen **17** sisäuraan ja asenna sitten tangon tiiviste **36** etummaisen laakerirenkään taakse. Asenna pyyhkimen tiiviste **40** etutiivisteeseen etu-uraan. Varmista tangon tiivisteeseen ja pyyhkimen tiivisteeseen oikea suunta laitekaavion avulla.
- Voitele sen rungon **2** aukon pinta ja etureuna, johon etutiiviste **17** asennetaan. Käytä Molykote® 111 -rasvaa.
- Voitele \*etutiivisteeseen ohjaustangon tappi ja aseta sitten etutiiviste **17** kokonaan tapin päälle tangon tiivistepää **36** edellä. Aseta \*Etutiivisteeseen ohjaustanko rungon **1** takaosaan ja paina etutiiviste kokonaan rungon aukkoon. Kohtuullista voimaa tulee käyttää asentaessa etutiivistettä runkoon, joten puristimen tai ruuvipenkin käyttö voi olla tarpeen. Poista \*etutiivisteeseen ohjaustanko varmistamalla samalla, että etutiiviste pysyy paikoillaan.
- Voitele tiivisteeseen ura ja männän **18** suurin ulkoinen halkaisija Molykote® 111 -rasvalla. Liu’uta männän tiiviste **35** männän suurimman halkaisijan etuosan päälle tiivisteeseen uraan. Asenna kaksi puristumisen estävää rengasta **34** männän tiivisteeseen uraan, yksi männän tiivisteeseen molemmille puolille.
- Ruuvaa ”\*Männän korkki - etuosa” männän **18** etuosaan. Voitele ”\*Männän korkki - etuosa”, männän akseli ja männän tiiviste **35** Molykote® 111 -rasvalla.

Kaikki lihavoidut numerot viittaavat laitekaavioon ja osaluetteloon, jotka on annettu sivuilla 18, 19 ja 20.

\* Huoltosarja sivulla 13

- Ruuvaa \*männän ohjaimen laippa kokonaan rungon **1** takaosaan. Voitele sekä rungon että \*männän ohjaimen laipan reiät Molykote® 111 -rasvalla.
- Liitä varaosa ”\*Pikaliitin - sisäkierteet” osaan ”Pikaliitin - ulkokierteet” **9** hydraulisessa letkussa - veto **25**. Tämä mahdollistaa ilman vapautumisen männän **18** vetopuolelta mäntää asentaessa.

- Aseta koottu mäntä **18** rungon **1** takaosaan asennetun etutiivisteeseen **17** läpi. Paina mäntä täysin etuasentoon, kunnes se pysähtyy etutiivistettä vasten. Hydraulinen öljy poistuu hydraulisesta letkusta - veto **25**.
- Poista varaosa ”\*Pikaliitin - sisäkierteet” osasta ”Pikaliitin - ulkokierteet” **9** hydraulisessa letkussa - veto **25**. Poista \*männän ohjaimen laippa rungon **1** takaosasta.
- Liu’uta O-rengas **31** takatiivisteeseen **16** päälle ulkoiseen uraan. Aseta kiertein varmistusrenkas **30** samaan uraan asennetun O-renkaan takana. Katso O-renkaan ja kiertaisen varmistusrenkaan oikeat suunnat laitekaaviosta ja osaluettelosta.
- Paina takimmainen laakerirengas **32** takatiivisteeseen **16** sisäuraan ja asenna sitten tangon tiiviste **29** takimmaisen laakerirenkaan taakse. Asenna pyyhkimen tiiviste **33** takatiivisteeseen takauraan. Varmista tangon tiivisteeseen ja pyyhkimen tiivisteeseen oikea suunta laitekaavion avulla.
- Kiinnitä työkalun kahva pehmeillä leuoilla varustettuun ruuvipenkkiin niin, että työkalun kärki osoittaa alaspäin.
- Voitele sen rungon **1** aukon pinta ja etureuna, johon takatiiviste **16** asennetaan. Käytä Molykote® 111 -rasvaa. Voitele takamännän **18** akseli Molykote® 111 -rasvalla.
- Aseta ”\*Männän korkki – takana” männän **18** taka-akseliin ja voitele Molykote® 111 -rasvalla.
- Täytä rungon **1** takaosa hydraulisella Enerpac® HF -öljyllä. Öljytason tulee olla takasyöttöaukon yläpuolella rungossa.
- Liitä osa ”\*Pikaliitin - ulkokierteet” osaan ”Pikaliitin - sisäkierteet” **10** hydrauliseen letkuun - palautus **24**. Tämä mahdollistaa ilman vapautumisen männän **18** palautuspuolelta takatiivistettä **16** asentaessa. Huomaa: Hydraulioöljy voi poistua pikaliittimestä – sisäkierteet.
- Aseta takatiiviste **16** osan ”\*Männän korkki – takana” päälle. Paina sitten takatiiviste männän **18** akselin päälle ja rungon **1** takaosaan. Paina takatiiviste runkoon, kunnes muutama sisäkierte näkyy rungon takaosassa. Varo O-renkaan **31** ja kiertaisen varmistusrenkaan **30** kiertäen vaurioitumista, kun asennat takatiivisteeseen.
- Voitele rungon **1** sisäkierteet sekä päätysuojan **15** ulkokierteet MolyLithium-rasvalla.
- Ruuvaa päätysuoja **15** kokonaan rungon **1** takaosaan käyttäen \*pätysuojakokoonpanoa. Takatiiviste **16** painuu tällöin paikoilleen rungossa **1** ja öljyä poistuu hiukan hydraulisesta letkusta - palautus **24**.
- Poista osa ”\*Pikaliitin - ulkokierteet” osasta ”Pikaliitin - sisäkierteet” **11** hydraulisessa letkussa - palautus **24**.
- Paina ohjain **3** päätysuojaan **15**.
- Alusta asetustyökalu sivulla **10** olevan osion ”Valmistelutoimet” mukaisesti.

### Letkukokoonpano:

- Irrota kaksi ruuvia **8** letkunkiristimestä **13** käyttäen 3,0 mm kuusiokoloavainta. Irrota letkunkiristin ja kiinnitysosa **26** suojalaipasta **27** ja hydraulisista letkuista - palautus **24** ja veto **25**.
- Poista kahvan kiinnitin **7** kahvan muoteista **11** ja **12** käyttämällä pientä ruuvitalttaa. Vedä kahvan kiinnitin suojalaipan **27**, hydraulisten letkujen - palautus **24** ja veto **25** päälle ja poista.
- Irrota ja poista 3,0 mm kuusiokoloavaimella (ja 7,0 mm ruuviavaimella alamutterissa) neljä ruuvia **20**, jotka pitävät kahvan muotit **11** ja **12** yhdessä.

Kaikki lihavoidut numerot viittaavat laitekaavioon ja osaluetteloon, jotka on annettu sivuilla 18, 19 ja 20.

\* Huoltosarja sivulla 13

- Liipaisin **6** on hitsattu ohjauskaapeliin. Poista tämä kokoonpano kahvoista **11** ja **12**. Kaapelitiiviste **22** kuuluu tähän kokoonpanoon.
- Leikkaa nippuside **43** ja liu’uta suojalaippa **27** takaisin päästäksesi kiinnitysosiin hydraulisissa letkuissa **24** ja **25**. Hydrauliset letkut voidaan irrottaa rungosta **1** käyttämällä 12 mm ja 14 mm ruuviavaimia.
- Pikaliittimet - ulkokierteet **9** ja sisäkierteet **10** voidaan irrottaa hydraulisista letkuista **24** ja **25** käyttämällä 18 mm:n ja 24 mm:n ruuviavaimia.



**Asenna osat noudattamalla purkuohjeita päinvastaisessa järjestyksessä ja huomioimalla seuraavat:**

- Puhdista kaikki pikaliittimien - ulkokierteet **9** ja sisäkierteet **10** sekä hydrauliset letkut - palautus **24** ja veto **25** ennen asentamista. Levitä sen jälkeen 2-3 kerrosta 10 mm PTFE-teippiä molempien hydraulisten letkujen ulkokierteisiin.
- Kun osat on asennettu, alusta työkalu sivun 10 ohjeiden mukaisesti.

**5.8 YMPÄRISTÖNSUOJELU**

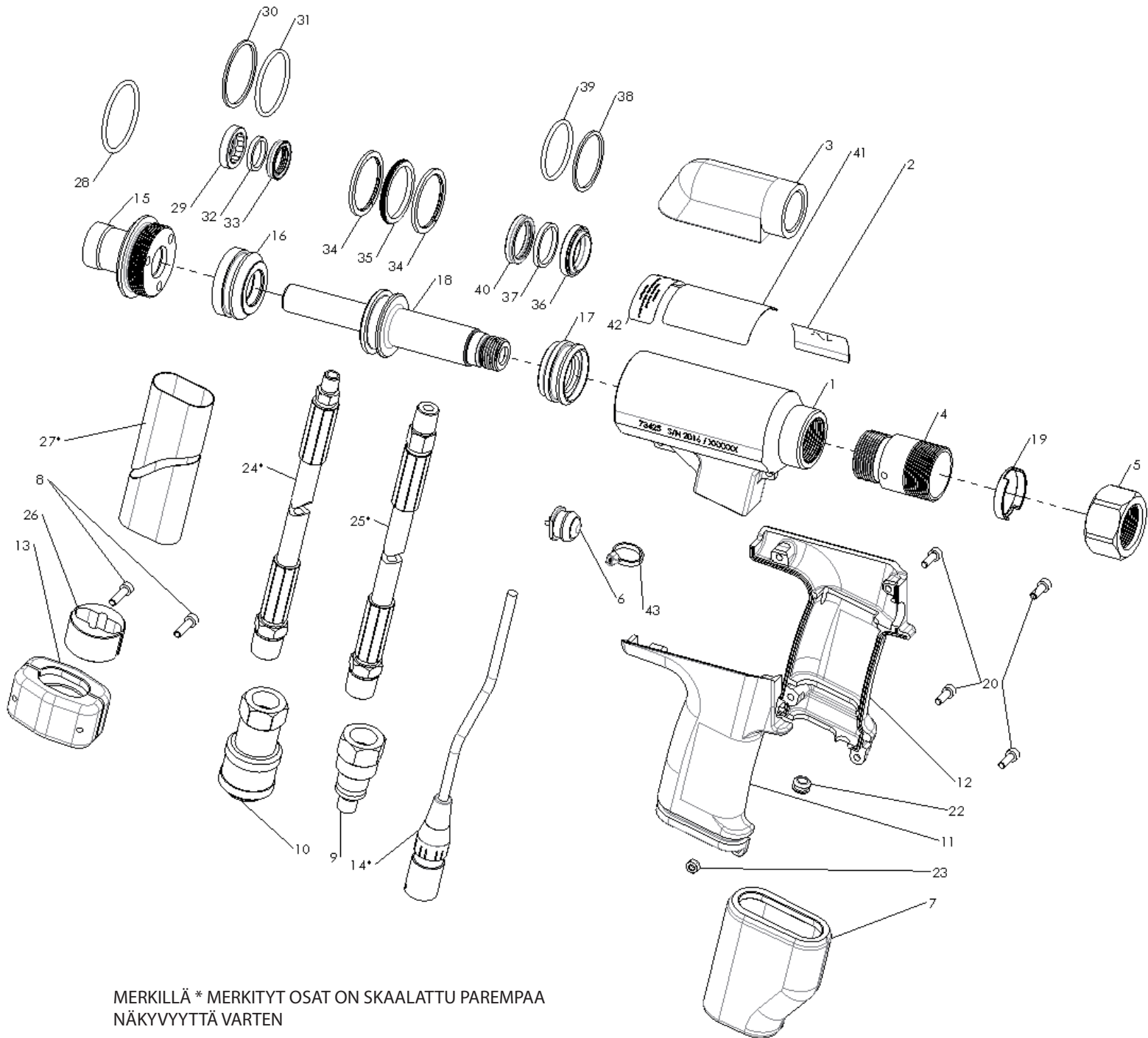
- Varmista, että noudatat soveltuvia jätemääräyksiä. Kaikki jätetuotteet tulee hävittää asianmukaisesti keräyspisteisiin, jotta ne eivät vaarantaisi henkilöstöä tai ympäristöä.

Kaikki **lihavoidut** numerot viittaavat laitekaavioon ja osaluetteloon, jotka on annettu sivuilla 18, 19 ja 20.

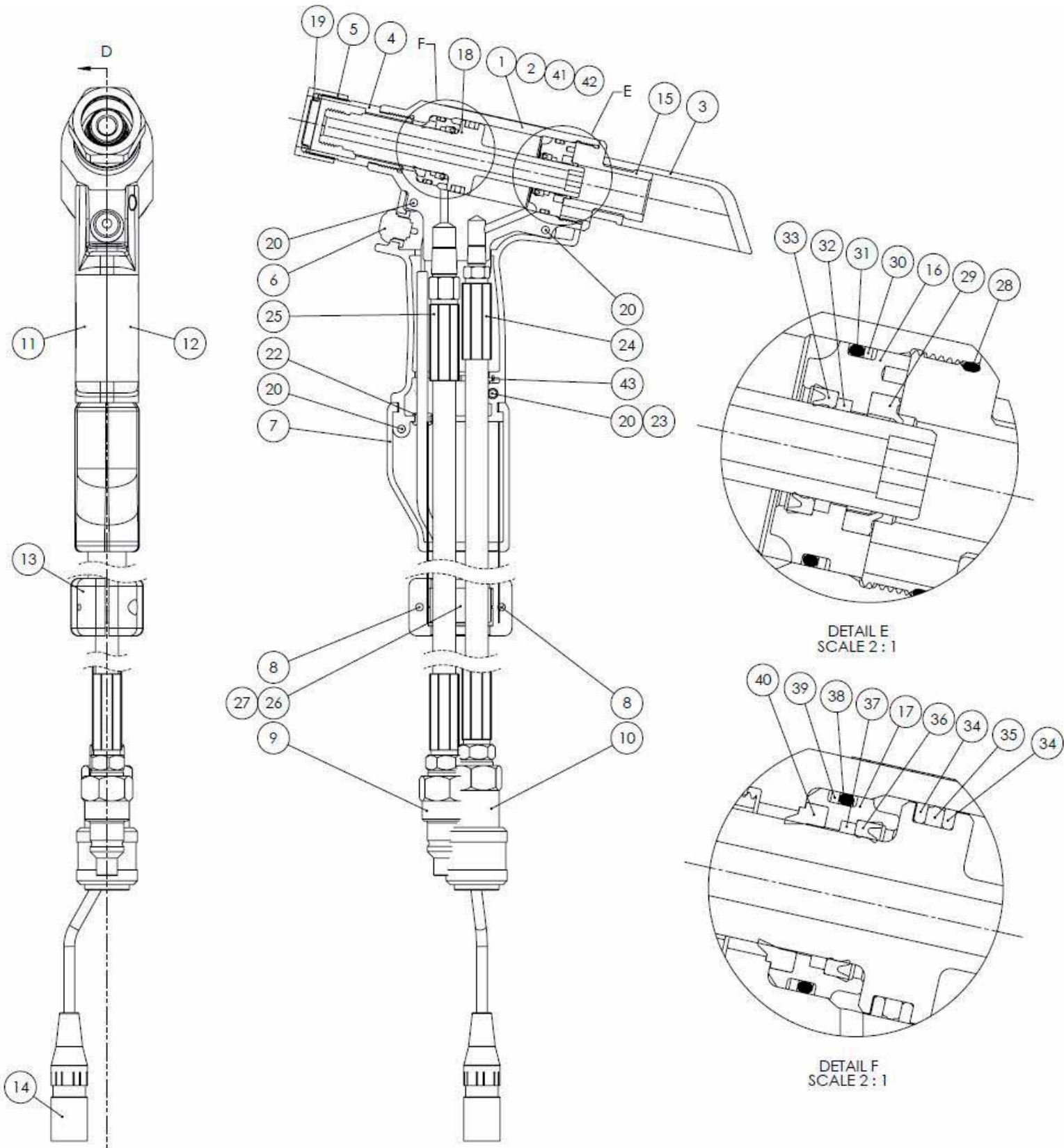
\* Huoltosarja sivulla 13.

## 6. LAITEKAAVIO JA OSALUETTELO

### 6.1 LAITEKAAVIO



MERKILLÄ \* MERKITYT OSAT ON SKAALATTU PAREMPAA NÄKYVYYTTÄ VARTEN



## 6.2 OSALUETTELO

73425-02000 OSALUETTELO			
OSA Nro	OSANUMERO	KUVAUS	MÄÄRÄ
1	73425-02003	AV®5-pää	1
2	73425-02014	AV®5-merkki	1
3	73200-02030	Ohjain	1
4	73200-02041	Sovitin	1
5	73200-02042	Kiinnitysmutteri	1
6	73425-02013	Liipaisinkokoonpano	1
7	73430-02020	Kahvan kiinnitin	1
8	07001-00686	M4 Holkin kantaruuvi	2
9	07005-10118	Pikaliitin - ulkokierteet	1
10	07005-10120	Pikaliitin - sisäkierteet	1
11	73425-02009	Kahvan muotti - vasen	1
12	73425-02015	Kahvan muotti - oikea	1
13	73430-02023	Letkunkiristin	1
14	07007-02105	Ohjauskaapeli	1
15	73425-02007	Päätysuoja	1
16	73425-02006	Takatiiviste	1
17	73425-02005	Etutiiviste	1
18	73425-02011	Päämäntä	1
19	73200-02043	Sovitinrenkas	1
20	07001-00688	M4 Holkin kantaruuvi	4
22	07007-02140	Kumitiiviste	1
23	07002-00134	M4-mutteri	1
24	07005-10119	Hydraulinen letku - palautus	1
25	07005-10117	Hydraulinen letku - veto	1
26	73430-02024	Kiinnitysosa	1
27	07005-10121	Suojalaippa	0,4 m
28	07003-00308	O-renkas	1
29	07003-00442	Pyyhkimen tiiviste	1
30	07003-00527	Kierteinen varmistusrenkas	1
31	07003-00526	O-renkas	1
32	73430-02010	Takimmainen laakerirengas	1
33	07003-00441	Tangon tiiviste	1
34	07003-00521	Puristumisen estävä rengas	2
35	07003-00520	Männän tiiviste	1
36	07003-00523	Tangon tiiviste	1
37	73200-03104	Laakerirengas	1
38	07003-00524	O-renkas	1
39	07003-00525	Kierteinen varmistusrenkas	1
40	07003-00522	Pyyhkimen tiiviste	1
41	73425-02016	Turvallisuusmerkki	1
42	07007-01504	CE-merkki	1
43	07007-02032	Nippuside	1

## 7. TURVATIEDOT

### 7.1 Enerpac® HF HYDRAULIÖLJY - TURVALLISUUSTIEDOT

#### ENSIAPU

##### IHO:

Pieni vaara iholle lyhyessä tai satunnaisessa kosketuksessa, mutta pitkäaikainen tai altistuminen voi johtaa ihottumaan. Pese iho huolellisesti saippuavedellä mahdollisimman pian. Riisu saastuneet vaatteet ja pese niiden alla olevat altistuneet ihoalueet.

##### NIELEMINEN:

Pieni vaara vahingossa nieltynä pieninä annoksina, suuret määrät voivat kuitenkin aiheuttaa pahoinvointia ja ripulia. Jos ainetta pääsee suuhun, huuhtelee huolellisesti vedellä. Tahallista tekoa lukuun ottamatta suurien määrien nieleminen on epätodennäköistä. Jos näin tapahtuu, älä oksennuta; hakeudu lääkärin hoitoon. Vie potilas lähimpään terveyskeskukseen.

##### SILMÄT:

Aiheuttaa useimmiten korkeintaan ohimenevää pistelyä tai punoitusta, jos tuotetta pääsee silmiin vahingossa. Pese silmät huolellisesti runsaalla vedellä varmistaen, että silmäluomet ovat auki. Hakeudu lääkäriin, jos kipu tai punoitus leviää tai jatkuu.

##### LÄÄKÄRIN HOITO:

Hoidon tulee yleensä olla oireenmukaista ja sen on pyrittävä lievittämään mahdollisia vaikutuksia.

Huomaa: Käyttö korkealla paineella:

Injektiot ihon läpi, kun tuotetta kohdistuu ihoon korkealla paineella, muodostavat vakavan lääkinällisen hätätilanteen. Vammat eivät välttämättä näytä aluksi vakavilta, mutta muutamassa tunnissa kudokset turpoaa, muuttuu väriltään ja on erittäin kivulias laajan ihonalaisen nekroosin myötä.

Kirurginen tutkimus on tehtävä viipymättä. Haavan ja sen alla olevan kudoksen perusteellinen ja laaja puhdistus on tarpeen kudoshäviön minimoimiseksi ja pysyvien vaurioiden estämiseksi tai rajoittamiseksi. Huomaa, että korkean paineen myötä tuotetta voi päästä huomattaviin syvyyksiin eri kudostasoihin.

#### HÄVITTÄMINEN

Poista kaikki roiskeet inertillä imukykyisellä materiaalilla. Tuuleta vuotoalue. Laita saastuneet materiaalit kertakäyttöastiaan ja hävitä paikallisten määräysten mukaisesti.

#### TULIPALO

LEIMAHDUSPISTE: 200 °C.

Sammuta joko kuivalla kemikaalilla, vaahdolla tai hiilidioksidilla. Älä mene suljettuun tilaan ilman itsenäistä hengityslaitetta.

#### KÄSITTELY

Käytä suojavoidetta tai öljynkestäviä suojakäsineitä.

#### SÄILYTYS

Säilytettävä peitettynä ja syttyvää materiaalia koskevien paikallisten määräysten mukaisesti.

### 7.2 MOLYLITHIUM-RASVA EP 3753 - TURVALLISUUSTIEDOT

Rasva voidaan tilata yksittäisenä tuotteena, osanumerot löytyvät sivun 12 huoltosarjasta.

#### ENSIAPU

##### IHO:

Koska rasva on täysin vedenkestävää, se voidaan poistaa parhaiten hyväksytyllä emulgoivalla ihonpuhdistusaineella.

##### NIELEMINEN:

Varmista, että henkilö juo 30 ml magnesiumimaitoa, mieluiten lasillisena maitoa.

##### SILMÄT:

Ärsyttävää, mutta ei haitallista. Huuhtelee vedellä ja ota yhteyttä lääkäriin.

#### TULIPALO

LEIMAHDUSPISTE: Yli 220 °C.

Ei luokiteltu syttyväksi.

Sopiva sammutusväline: CO<sub>2</sub>, halon- tai vesisuihke kokeneen käyttäjän toimesta.

#### YMPÄRISTÖ

Kaavi polttamista tai hyväksyttävää hävittämistä varten.

#### KÄSITTELY

Käytä suojavoidetta tai öljynkestäviä suojakäsineitä

#### SÄILYTYS

Kaukana lämpölähteestä ja hapettavasta aineesta.

**7.3 MOLYKOTE® 111 -RASVA - TURVALLISUUSTIEDOT**

Rasva voidaan tilata yksittäisenä tuotteena, osanumerot löytyvät sivun 12 huoltosarjasta.

**ENSIAPU**

IHO:

Ensiaputoimet eivät ole tarpeen.

NIELEMINEN:

Ensiaputoimet eivät ole tarpeen.

SILMÄT:

Ensiaputoimet eivät ole tarpeen.

HENGITYS:

Ensiaputoimet eivät ole tarpeen.

**TULIPALO**

LEIMAHDUSPISTE: Yli 101,1 °C. (suljettu kuppi)

Räjähävät ominaisuudet: Ei

Sopivat sammutusvälineet: Hiilidioksidivaaho, kuiva jauhe tai vesisuihke. Tullelle altistuneet säiliöt voidaan jäähdyttää vedellä.

**YMPÄRISTÖ**

Haittavaikutuksia ei odotettavissa.

**KÄSITTELY**

Yleistä tuuletusta suositellaan. Vältä kosketusta silmiin.

**SÄILYTYS**

Älä säilytä hapettavien aineiden kanssa. Pidä astia suljettuna ja säilytä kaukana vedestä tai kosteudesta.

## 8. VIANMÄÄRITYS

ONGELMA	MAHDOLLINEN SYY	KORJAUSTOIMENPIDE	SIVUVIITE
Asetustyökalu ei toimi	Pumppuyksikkö ei toimi	Tarkista pumpun virransyöttö ja lue pumppuyksikön ohjekirja	
	Vialliset pikaliittimet <b>9</b> ja <b>10</b>	Vaihda pikaliittimet	19
	Liipaisimen ohjauskaapeli <b>14</b> on liitetty virheellisesti	Tarkista, että ohjauskaapeli on liitetty oikein pumppuun ja asetustyökaluun	10
	Liipaisin <b>6</b> tai ohjauskaapeli <b>14</b> on vaurioitunut	Vaihda liipaisin ja/tai ohjauskaapeli	19
Liipaisin <b>7</b> ei toimi	Pumppu paikallisessa tilassa	Katso pumpun ohjekirja	
	Liipaisin <b>6</b> , ohjauskaapeli <b>14</b> tai liitin on vaurioitunut	Vaihda liipaisin ja/tai ohjauskaapeli	19
Pumppu toimii, mutta asetustyökalut eivät toimi	Hydraulisia letkuja ei ole liitetty	Tarkista pumpun ja asetustyökalun liitännöiden virheettömyys	10
	Alhainen öljytaso	Varmista, että asetustyökalu on täytetty öljyllä ja alustettu oikein Katso pumpun ohjekirja	10
	Asetustyökalun ulkoinen öljyvuoto	Tarkista asetustyökalu – vaihda kuluneet tai vaurioituneet osat	14 - 17
	Letkukokoonpanon ulkoinen öljyvuoto	Tarkista letkukokoonpano – varmista letkuliitännöiden kireys ja/tai vaihda vaurioituneet letkuliittimet	19
	Pumpun sisäinen/ulkoinen öljyvuoto	Katso pumpun ohjekirja	
Asetustyökalun virheellinen toiminta	Alhainen tai virheellinen hydraulinen paine	Katso pumpun ohjekirja	
	Asetustyökalun kuluneet tai vaurioituneet hydrauliset tiivisteet	Tarkista asetustyökalu – vaihda kuluneet tai vaurioituneet tiivisteet	14 - 17
	Asetustyökalun kuluneet tai vaurioituneet hydrauliset tiiviste-pinnat	Tarkista asetustyökalu – vaihda kuluneet tai vaurioituneet osat	14 - 17
	Pumpun sisäinen/ulkoinen öljyvuoto	Katso pumpun ohjekirja	
Pumppu tuottaa täyden paineen, mutta niittipää ei rikkoudu	Murtumiskuorma on asetustyökalun kapasiteettia suurempi täydellä paineella	Katso asetustyökalun määritykset	7
	Virtaus asetustyökaluun tukkiutunut	Tarkista pikaliittimien <b>9</b> ja <b>10</b> täydellinen kytkeytyminen	10
	Pumpun paineenalennusarvo on liian alhainen	Säädä paineenalennusventtiilin asetuksia – katso pumpun ohjekirja	
	Kiinnikkeen niittipään vetourat ovat paljaita	Katso ongelma sivulla 24	11
	Työkalun virheellinen käyttö		11



ONGELMA	MAHDOLLINEN SYY	KORJAUSTOIMENPIDE	SIVUVIITE
Asetustyökalun mäntä <b>1</b> ei palaudu	Paluuvirta rajoitettu tai tukossa	Tarkista pikaliittimien <b>9</b> ja <b>10</b> täydellinen kytkeytyminen ja/tai viat	10
	Hydraulisia letkuja ei ole liitetty	Tarkista pumpun ja asetustyökalun liitännöiden virheettömyys	10
	Pumpun venttiilin toimintahäiriö	Katso pumpun ohjekirja	
Asetustyökalu ei poista holkkia alasimesta	Pumpun palautusajastimen virheellinen asetus – liian matala asetus	Säädä palautusajastin suositeltuun asetukseen – katso pumpun ohjekirja	
	Pumpun palautuksen paineenalennusventtiilin asetus on liian alhainen	Säädä palautuksen paineenalennusventtiili oikeaan asetukseen – katso pumpun ohjekirja	
	Alhainen tai virheellinen hydraulinen paine	Katso pumpun ohjekirja	
	Asetustyökalun kuluneet tai vaurioituneet hydrauliset tiivisteet	Tarkista asetustyökalu – vaihda kuluneet tai vaurioituneet tiivisteet	14 - 17
	Asetustyökalun kuluneet tai vaurioituneet hydrauliset tiiviste-pinnat	Tarkista asetustyökalu – vaihda kuluneet tai vaurioituneet osat	14 - 17
	Pumpun sisäinen/ulkoinen öljyvuoto	Katso pumpun ohjekirja	
Kiinnittimen niittipään vetourat ovat paljaita asennuksen aikana	Käyttäjä ei paina kärkeä kokonaan kiinnikkeen niittipäähän ennen työkalun käyttämistä	Anna käyttäjälle oikeat asennusohjeet	11
	Kiinnikkeen/kiinnityksen virheellinen pituus	Käytä oikeaa kiinnikettä	
	Kuluneet tai vaurioituneet leukasegmentit	Tarkista ja vaihda leukasarja – katso kärkilaitteiston tietolomake	11
	Jäämiä leukasegmenteissä ja/tai niittipään urissa	Puhdista leukasegmentit – katso kärkilaitteiston tietolomake	
	Liian suuri levyn rako	Sulje levyjen välinen rako	11
Avdelok®- tai Avbolt®-holkki ei ole puristunut kokonaan	Työkalun virheellinen käyttö		11
	Kulunut alasin reiä	Tarkista ja vaihda alasin – katso kärkilaitteiston tietolomake	
Niittipää ei irtoa kärkilaitteistosta	Kärkilaitteiston virheellinen asennus	Katso kärkilaitteiston tietolomake	
Asetustyökalu ja hydraulinen öljy on kuumaa	Hydraulisen putken tukos	Tarkista hydrauliset pikaliittimet <b>9</b> ja <b>10</b> ja vaihda tarvittaessa	19
	Suuri ympäristölämpötila		
Hydraulisista pikaliittimistä <b>9</b> ja <b>10</b> vuotaa öljyä	Kulunut O-rengas pikaliittimen -ulkokierteet <b>9</b> rungossa	Vaihda O-rengas ja varmistusrenkas pikaliittimessä <b>9</b>	19

Kaikki **lihavoidut** numerot viittaavat laitekaavioon ja osaluetteloon, jotka on annettu sivuilla 18, 19 ja 20.

\* Huoltosarja sivulla 13.

## 9. EY-VAATIMUSTENMUKAISUUSVAKUUTUS

Me, **Stanley Engineered Fastening, Stanley House, Works Road, Letchworth Garden City, Hertfordshire, SG6 1JY ISO-BRITANNIA**, vakuutamme vastuunalaisina, että seuraava tuote:

**Kuvaus:** HYDROSÄHKÖINEN TYÖKALU

**Malli:** AV<sup>®</sup> 5 NIITTAUSKONE – 73425-02000

jota tämä vakuutus koskee, täyttää seuraavien yhdenmukaistettujen standardien vaatimukset:

ISO 12100:2010	EN ISO 3744:2010
EN ISO 11202:2010	EN ISO 11148-1:2011
EN ISO 4413:2010	EN ISO 20643:2008+A1:2012
EN ISO 4414:2010	ES100118-rev 17:2017
EN ISO 28927-5:2009+A1:2015	

Tekninen dokumentaatio on laadittu liitteen 1, osan 1.7.4.1 mukaisesti seuraavaa direktiiviä noudattaen: **2006/42/EY konedirektiivi Directive** (lakisäätteiset asiakirjat 2008 nro 1597 - Konemääräykset (turvallisuus)).

Allekirjoittanut tekee tämän vakuutuksen STANLEY Engineered Fastening -yhtiön puolesta



**A. K. Seewraj**

**Tekninen päällikkö, Iso-Britannia**

Avdel UK Limited, Stanley House, Works Road, Letchworth Garden City, Hertfordshire, SG6 1JY ISO-BRITANNIA

**Myöntämispaikka:** Letchworth Garden City, Iso-Britannia

**Myöntämispäivämäärä:** 24-08-2021

Allekirjoittanut vastaa Euroopan unionin alueella myytyjen tuotteiden teknisen tiedoston laatimisesta ja tekee tämän vakuutuksen Stanley Engineered Fastening -yhtiön puolesta.

**Matthias Appel**

**Tiimipäällikkö - Tekniset asiakirjat**

Stanley Engineered Fastening, Tucker GmbH, Max-Eyth-Str.1, 35394 Gießen, Saksa



Tämä kone on konedirektiivin  
2006/42/EY mukainen

**STANLEY**  
Engineered Fastening

## 10. ISON-BRITANNIAN VAATIMUSTENMUKAISUUSVAKUUTUS

Me, **Stanley Engineered Fastening, Stanley House, Works Road, Letchworth Garden City, Hertfordshire, SG6 1JY ISO-BRITANNIA**, vakuutamme vastuunalaisina, että seuraava tuote:

**Kuvaus:** **HYDROSÄHKÖINEN TYÖKALU**

**Malli:** **AV® 5 NIITTAUSKONE – 73425-02000**

jota tämä vakuutus koskee, täyttää seuraavien yhdenmukaistettujen standardien vaatimukset:

ISO 12100:2010	EN ISO 3744:2010
EN ISO 11202:2010	EN ISO 11148-1:2011
EN ISO 4413:2010	EN ISO 20643:2008+A1:2012
EN ISO 4414:2010	ES100118-rev 17:2017
EN ISO 28927-5:2009+A1:2015	

Tekniset asiakirjat on laadittu Supply of Machinery (Safety) -säädöksen 2008, S.I. 2008/1597 (kuten muutettu) mukaisesti.

Allekirjoittanut tekee tämän vakuutuksen STANLEY Engineered Fastening -yhtiön puolesta



**A. K. Seewraj**

**Tekninen päällikkö, Iso-Britannia**

Avdel UK Limited, Stanley House, Works Road, Letchworth Garden City, Hertfordshire, SG6 1JY ISO-BRITANNIA

**Myöntämispaikka:** **Letchworth Garden City, Iso-Britannia**

**Myöntämispäivämäärä:** **24-08-2021**



Tämä kone täyttää seuraavat vaatimukset:  
Supply of Machinery (Safety) -säädös 2008,  
S.I. 2008/1597 (kuten muutettu)

## 11. TURVAA SIJOITUKSESI!

### **Stanley® Engineered Fastening SOKKONIITTIIEN NIITTAUSKONEEN TAKUU**

STANLEY® Engineered Fastening takaa, että kaikki sähkötyökalut on valmistettu huolellisesti ja ettei niissä ilmene materiaali- tai valmistusvikoja normaalissa käytössä ja huollossa yhden (1) vuoden aikana.

Tämä takuu koskee työkalun ensimmäistä ostajaa vain alkuperäisessä käytössä.

#### **Rajaukset:**

##### **Normaali kuluminen.**

Säännöllinen huolto, korjaus ja vaihto-osat normaalin kulumisen vuoksi eivät kuulu takuun piiriin.

##### **Väärinkäyttö.**

Virheet tai vauriot, jotka aiheutuvat virheellisestä käytöstä, varastoinnista, väärinkäytöstä, onnettomuudesta tai laiminlyönnistä (esim. fyysisestä vahingosta), eivät kuulu takuun piiriin.

##### **Valtuuttamaton huolto tai muuttaminen.**

Virheet tai vauriot, jotka aiheutuvat huollosta, testaussäädöstä, asennuksesta, ylläpidosta, muutoksista tai muokkauksesta millään tavalla jonkun muun kuin STANLEY® Engineered Fasteningin tai sen valtuuttaman huoltokeskuksen tekemänä, eivät kuulu takuun piiriin.

Kaikki muut takuut, nimenomaiset tai epäsuorat, mukaan lukien takuut kaupakelpoisuudesta tai soveltuvuudesta käyttötarkoitukseen eivät kuulu takuuseen.

Jos tämä työkalu ei vastaa takuuta, palauta työkalu tehtaamme valtuuttamaan sinua lähellä olevaan huoltokeskukseen. Saat luettelon valtuutetuista STANLEY® Engineered Fastening -huoltoliikkeistä Yhdysvalloissa tai Kanadassa ottamalla meihin yhteyttä numeroon +1 (877) 364 2781.

Yhdysvaltojen ja Kanadan ulkopuolella löydät verkkosivustolta **website [www.StanleyEngineeredFastening.com](http://www.StanleyEngineeredFastening.com)** STANLEY Engineered Fasteningin toimipisteen.

STANLEY Fastening korvaa maksutta osan tai osat, joiden olemme todenneet olevan viallisia virheellisen materiaalin tai valmistuksen vuoksi, ja palautamme työkalun postikulut maksettuina. Tämä on ainoa takuun piiriin kuuluva veloituksemme.

STANLEY Engineered Fastening ei missään tapauksessa ota vastuuta seuraamuksellisista tai erityisistä vahingoista, jotka johtuvat tämän työkalun hankinnasta tai käytöstä.

#### **Rekisteröi sokkoniittien niittauskoneesi verkossa.**

Rekisteröi takuusi verkossa osoitteessa

<https://www.stanleyengineeredfastening.com/support/warranty-registration-form>

Kiitos, että valitsit STANLEY® Engineered Fastening's Stanley Assembly Technologies -työkalun.

©2021 fra STANLEY Black & Decker-merket  
Alle rettigheter forbeholdt.





Informasjonen her skal ikke reproduseres og/eller offentliggjøres på noen måte i noen form (elektronisk eller mekanisk) uten skriftlig forhåndstillatelse fra STANLEY Engineered Fastening. Informasjonen her er basert på data kjent på tidspunktet for lansering av produktet. STANLEY Engineered Fastening har en policy med kontinuerlig produktforbedring, og produktene kan derfor endre seg. Informasjonen her gjelder produktet som levert fra STANLEY Engineered Fastening. STANLEY Engineered Fastening kan derfor ikke holdes ansvarlig for eventuelle skader som følger av endringer i forhold til de originale spesifikasjonene for produktet.

Informasjonen her er sammenstilt med størst mulig nøyaktighet. Men STANLEY Engineered Fastening tar intet ansvar med hensyn til eventuelle feil i informasjonen eller for konsekvenser av slike feil. STANLEY Engineered Fastening tar intet ansvar for handlinger utført av tredjepart. Arbeidsnavn, handelsnavn, registrerte varemerker osv. som brukes av STANLEY Engineered Fastening skal ikke regnes som frie, men er underlagt lovgivning med hensyn til beskyttelse av varemerker.

## INNHold

<b>1. SIKKERHETSDEFINISJONER .....</b>	<b>3</b>
1.1 <i>GENERELLE SIKKERHETSREGLER .....</i>	3
1.2 <i>FARE FRA PROSJEKTILER .....</i>	3
1.3 <i>FARE VED BRUK.....</i>	4
1.4 <i>FARE VED GJENTAKENDE BEVEGELSER.....</i>	4
1.5 <i>FARE VED TILBEHØR .....</i>	4
1.6 <i>FARE VED ARBEIDSPLASSEN.....</i>	4
1.7 <i>FARE VED STØY .....</i>	5
1.8 <i>FARE VED VIBRASJONER.....</i>	5
1.9 <i>EKSTRA SIKKERHETSANVISNINGER FOR HYDRAULISKE VERKTØY.....</i>	5
<b>2. SPESIFIKASJON .....</b>	<b>6</b>
2.1 <i>BRUKSFORMÅL .....</i>	6
2.2 <i>VERKTØYSPESIFIKASJONER .....</i>	6
2.3 <i>VERKTØYDIMENSJONER .....</i>	7
<b>3. TA I BRUK.....</b>	<b>8</b>
3.1 <i>FUNKSJONSPRINSIPP .....</i>	8
3.2 <i>FORBEREDELSE FOR BRUK .....</i>	9
<b>4. BRUKSANVISNING .....</b>	<b>10</b>
4.1 <i>INSTALLERE EN AVBOLT®-NAGLE .....</i>	10
4.2 <i>INSTALLERE ENAVDELOK®-NAGLE.....</i>	10
4.3 <i>INSTALLERE EN NEOBOLT® NAGLE .....</i>	11

<b>5. SERVICE PÅ VERKTØYET .....</b>	<b>12</b>
5.1 DAGLIG VEDLIKEHOLD .....	12
5.2 UKENTLIG VEDLIKEHOLD .....	12
5.3 ÅRLIG VEDLIKEHOLD / HVER 250 TUSEN BRUKSOPERASJONER.....	12
5.4 SERVICESETT .....	12
5.5 SERVICEVERKTØY .....	12
5.6 HYDRAULIKKOLJE .....	13
5.7 DEMONTERINGSANVISNINGER .....	13
5.8 MILJØVERN.....	16
<b>6. GENERELL MONTERING OG LISTE OVER DELER .....</b>	<b>17</b>
6.1 GENERELL MONTERING.....	17
6.2 LISTE OVER DELER.....	19
<b>7. SIKKERHETSDATA .....</b>	<b>20</b>
7.1 Enerpac® HF HYDRAULIKKOLJE – SIKKERHETSDATA .....	20
7.2 MOLYLITHIUM SMØREFETT EP 3753 – SIKKERHETSDATA.....	20
7.3 Molykote® 111 SMØREFETT – SIKKERHETSDATA .....	21
<b>8. FEILDIAGNOSE .....</b>	<b>22</b>
<b>9. EU-SAMSVARERKLÆRING .....</b>	<b>24</b>
<b>10. SAMSVARERKLÆRING (UK) .....</b>	<b>25</b>
<b>11. BESKYTT INVESTERINGEN DIN!.....</b>	<b>26</b>

	Denne instruksjonshåndboken skal leses av alle som installerer eller bruker dette verktøyet, med spesiell oppmerksomhet på å følge sikkerhetsregler og instruksjoner.
	Bruk alltid slagfaste vernebriller ved bruk av verktøyet. Nødvendig beskyttelse skal vurderes før hver bruk.
	Bruk av verktøyet kan eksponere brukerens hender for fare, inkludert knusing, slag, kutt, skrubbsår og varme. Bruk passende hansker for å beskytte hendene.
	Bruk hørselsvern i samsvar med arbeidsgiverens anvisninger og som pålagt i HMS-reglene.

## 1. SIKKERHETSDEFINISJONER

Definisjonene under beskriver alvorlighetsgraden for hvert signalord. Vennligst les håndboken og legg merke til disse symbolene.



**FARE:** Indikerer en overhengende farlig situasjon som vil føre til død eller alvorlige personskader hvis den ikke avverges.



**ADVARSEL:** Indikerer en potensielt farlig situasjon som kan føre til død eller alvorlige personskader hvis den ikke avverges.



**FORSIKTIG:** Indikerer en potensielt farlig situasjon som kan føre til små eller moderate personskader hvis den ikke avverges.



**FORSIKTIG:** Bruk uten sikkerhetssymbol indikerer en potensiell farlig situasjon som kan føre til materielle skader dersom den ikke avverges.

**Feilaktig bruk eller vedlikehold av dette produktet kan føre til alvorlige personskader og materielle skader. Les og forstå alle advarsler og bruksanvisninger før bruk av dette utstyret. Ved bruk av verktøy skal alltid grunnleggende sikkerhetsregler følges for å unngå fare for personskader.**

### TA VARE PÅ ALLE ADVARSLER OG INSTRUKSJONER FOR FREMTIDIG BRUK.

#### 1.1 GENERELLE SIKKERHETSREGLER

- For mange ulike farer, les og forstå sikkerhetsanvisningene før installasjon, bruk, reparasjon, vedlikehold av og skifte av tilbehør på verktøyet, eller for arbeid i nærheten. Dersom det ikke gjøres kan det føre til alvorlige personskader.
- Kun kvalifiserte og opplærte brukere skal installere, justere og bruke verktøyet.
- Skal IKKE brukes for andre formål enn den påtenkte installasjonen av STANLEY Engineered Fastening popnagler.
- Bruk kun deler, nagler og tilbehør som anbefalt av produsenten.
- IKKE modifier verktøyet. Endringer kan redusere effekten av sikkerhetstiltak og øke risikoen for brukeren. Eventuelle endringer på verktøyet som er foretatt av kunden, er kundens eneansvar og vil ugyldiggjøre alle aktuelle garantier.
- Ikke kast sikkerhetsanvisningene, brukeren skal ha dem.
- Bruk ikke verktøyet dersom det er skadet.
- Før bruk, kontroller for feil innretning eller bevegelige deler som sitter fast, brukne deler og andre forhold som kan påvirke verktøyets funksjon. Dersom det er skadet, få verktøyet reparert før bruk. Ta av eventuell justeringsnøkkel eller skiftenøkkel før bruk.
- Verktøy skal ha regelmessig ettersyn for å verifisere angivelser og merking som kreves i henhold til denne del av ISO 11148 er lesbare på verktøyet. Arbeidsgiver/bruker skal kontakte produsenten for å få nye etiketter om nødvendig.
- Verktøyet skal alltid vedlikeholdes for trygg brukstilstand, og skal inspiseres for skader og korrekt funksjon av opplært personell med regelmessige mellomrom. All demontering skal foretas av opplært personell. Ikke demonter dette verktøyet uten først å rådføre deg med vedlikeholdsanvisningene.

#### 1.2 FARE FRA PROSJEKTILER

- Koble verktøyet fra den hydrauliske pumpeenheten før du foretar vedlikehold, justeringsforsøk, setter på eller tar av en nesemodul eller tilbehør.
- Vær oppmerksom på at svipt i arbeidsstykker eller tilbehør – og i det anvendte verktøyet selv – kan utløse prosjektiler med høy hastighet.
- Bruk alltid slagfaste vernebriller ved bruk av verktøyet. Nødvendig beskyttelse skal vurderes før hver bruk.

- Risikoen for andre personer skal vurderes samtidig.
- Forsikre deg om at arbeidsstykket er godt festet.
- Sjekk at beskyttelsen mot utkast av nagler og/eller kjerner er på plass og fungerer.
- Advar mot mulig kraftig utkast av kjerner fra fronten av verktøyet.
- IKKE bruk verktøyet dersom det er rettet direkte mot personer.

### 1.3 FARE VED BRUK

- Bruk av verktøyet kan eksponere brukerens hender for fare, inkludert knusing, slag, kutt, skrubbsår og varme. Bruk passende hansker for å beskytte hendene.
- Brukere og vedlikeholdspersonell skal være fysisk i stand til å håndtere størrelse, vekt og kraften av verktøyet.
- Hold verktøyet korrekt, vær forberedt på å motvirke normale eller plutselige bevegelser og ha begge hender tilgjengelige.
- Hold håndtakene på verktøyet tørre, rene og fri for olje og fett.
- Hold en god, balansert kroppsstilling og godt fotfeste ved bruk av verktøyet.
- Slipp start/stopp innretningen ved brudd på hydraulikkforsyningen.
- Bruk bare smøremidler som er anbefalt av produsenten.
- Kontakt med hydraulisk væske skal unngås. For å minske muligheten for utslett, skal du passe på å vaske huden grundig hvis kontakt oppstår.
- Sikkerhetsdatablad for alle hydrauliske oljer og smøremidler er tilgjengelig fra din verktøyleverandør på forespørsel.
- Unngå uegnede kroppsposisjoner, da det er sannsynlig at slike posisjoner ikke lar deg motvirke normale eller uventede bevegelser på verktøyet.
- Dersom verktøyet er festet i et oppheng, pass på at det er godt festet.
- Vær oppmerksom på risikoen for knusing eller kniping dersom neseutstyr ikke er satt på.
- IKKE bruk verktøyet med nesehuset tatt av.
- Det må være tilstrekkelig klaring fra verktøybrukerens hender før du går videre.
- Når du bærer verktøyet fra sted til sted, hold alltid hånden unna avtrekkeren for å unngå utilsiktet aktivering.
- IKKE bruk verktøyet feil ved å la det falle ned eller bruke det som hammer.
- Du må forsikre deg om at brukte kjerner ikke utgjør en fare.

### 1.4 FARE VED GJENTAKENDE BEVEGELSER

- Ved bruk av verktøyet kan brukeren oppleve ubehag i hender, armer, skuldre, nakke eller andre kroppsdelene.
- Ved bruk av verktøyet skal brukeren holde en komfortabel kroppsstilling og samtidig hole et stødig fotfeste og unngå klønete eller ubalanserte stillinger. Brukeren bør sørge for å skifte stilling under langvarige jobber, det hjelper til med å unngå ubehag og utmattelse.
- Dersom brukeren opplever symptomer som varig eller gjentakende ubehag, smerte, bankende, verkende, prikkende, følelseløshet, brennende følelser eller stivhet, skal slike varseltegn ikke ignoreres. Brukeren skal informere arbeidsgiver og søke kvalifisert medisinsk råd.

### 1.5 FARE VED TILBEHØR

- Koble verktøyet fra hydraulikkforsyning og elektrisk strøm før montering eller demontering av nesemodul eller tilbehør.
- Bruk kun størrelse og type av tilbehør og forbruksartikler som anbefalt av verktøyprodusenten, ikke bruk andre typer eller størrelser av tilbehør eller forbruksartikler.

### 1.6 FARE VED ARBEIDSPLASSEN

- Hovedårsakene til arbeidsulykker er å skli, snuble og falle. Vær oppmerksom på glatte flater som skyldes bruk av verktøyet og fare for å snuble i luftledning eller hydraulikkslange.
- Vær forsiktig i ukjente omgivelser. Det kan være skjule farer så som elektriske ledninger eller andre infrastrukturlinjer.
- Verktøyet er ikke ment for bruk i potensielt eksplosive atmosfærer og er ikke isolert mot kontakt med elektrisk strøm.
- Forsikre deg om at ingen elektriske kabler, gassrør og lignende som kan utgjøre en fare dersom de skades av verktøyet er i nærheten.
- Kle deg korrekt. Ikke ha på deg løstsittende klær eller smykker. Hold hår, antrekk og hansker borte fra bevegelige deler. Løstsittende antrekk, smykker eller langt hår kan bli fanget opp av bevegelige deler.
- Du må forsikre deg om at brukte kjerner ikke utgjør en fare.



### 1.7 FARE VED STØY

- Å utsettes for høyt støynivå kan føre til permanent, invalidiserende hørselstap og andre problemer som tinnitus (ringing, summing, plystring eller surring i ørene). Derfor er det viktig med risikovurdering og innføring av passende kontroller for slik fare.
- Passende kontroller for å redusere risikoen kan inkludere tiltak som lydempende materialer for å hindre "ringing" i arbeidsstykkene.
- Bruk hørselsvern i samsvar med arbeidsgiverens anvisninger og som pålagt i HMS-reglene.
- Bruk og vedlikehold verktøyet som anbefalt i bruksanvisningen for å forhindre økt støynivå.

### 1.8 FARE VED VIBRASJONER

- Eksponering for vibrasjoner kan føre til invalidiserende skader på nervene og blodforsyningen til hender og armer.
- Bruk varme klær ved arbeid i kalde omgivelser og hold hendene tørre og varme.
- Dersom du opplever nummenhet, prikking, smerte eller at huden blir hvit på fingrene eller hender, stopp bruken av verktøyet og søk medisinsk hjelp.
- Om mulig, avlast vekten av verktøyet ved hjelp av stativ, oppheng eller avbalansering, det er da lettere å holde verktøyet.

### 1.9 EKSTRA SIKKERHETSANVISNINGER FOR HYDRAULISKE VERKTØY

- Driftstrykket på trykkluften skal ikke overstige 550 bar (8000 PSI).
- Olje under trykk kan føre til alvorlige personskader.
- Ikke bruk fleksible hydraulikkslanger godkjent for mindre enn 700 bar (10 000 PSI) arbeidstrykk ved en gjennomstrømning på 2,73 l/min (200 i 3/min).
- La aldri verktøyet ligge uten tilsyn. Koble fra hydraulikkslange og strømkabel fra pumpen når verktøyet ikke brukes, før skifte av tilbehør eller når du foretar reparasjoner.
- Piskende slanger kan føre til alvorlige personskader. Sjekk alltid at slanger og fittings ikke er skadet eller løse.
- Før bruk må du inspisere de hydrauliske slangene etter skade. Alle de hydrauliske kontaktpunktene må være renne og koblet inn riktig før drift. Ikke la tunge gjenstander falle på slangene. Et skarpt slag kan føre til indre skader og føre til at slangen svikter før tiden.
- Når generelle dreiekoblinger (klokoblinger) brukes, skal det installeres låsepinner og det skal brukes piskestoppende sikkerhetswire for å forhindre mulige koblingsfeil mellom slange og verktøy eller mellom ulike slanger.
- IKKE løft nagleverktøyet i slangen. Bruk alltid håndtaket på nagleverktøyet.
- IKKE trekk i eller beveg hydraulikkpumpen ved hjelp av slangene. Bruk alltid pumpeenhetens håndtak eller rullestativ.
- Hold smuss og fremmedlegemer ute av hydraulikksystemet, det kan føre til at verktøyet feiler.
- Bruk bare ren olje og påfyllingsutstyr.
- Bruk bare anbefalte hydraulikkvæsker.
- Aggregater krever fri flyt av luft av hensyn til kjølingen og skal derfor plasseres på et godt ventilert sted som er fritt for farlig gass og damp.
- Maksimal temperatur av hydraulikkvæsken på inntaket er 110 °C (230 °F).

**STANLEY Engineered Fastenings policy er å drive kontinuerlig produktutvikling og forbedringer, og vi forbeholder oss retten til å endre spesifikasjonene for alle produkter uten forhåndsvarsel.**

## 2. SPESIFIKASJON

### 2.1 BRUKSFØRMÅL

Av<sup>®</sup>5-installasjonsverktøyet er hovedsakelig en modul for stempel og sylinder. Når det er koblet til hydraulikk og strøm fra en kompatibel energikilde og relevant nese modul er montert, kan det brukes til å montere nagler, inkludert 3/8" Avdelok<sup>®</sup>, 3/8" NeoBolt<sup>®</sup>, 5/16" Avbolt<sup>®</sup> og Ø16 mm Avseal<sup>®</sup> i industrimiljøer.

Nagleverktøyet og hydraulikkpumpen skal kun brukes i samsvar med bruksanvisningen for strukturelle nagler fra Stanley Engineered Fastening.

Se tabellen under for aktuelle nagler og respektivt neseutstyr.

Se databladene angitt i tabellen for relevante monteringsanvisninger for nese modul.

**IKKE** bruk under våte forhold eller ved nærvær av brennbare væsker eller gasser.

NAGLE		NESEMODUL			DATABLAD FOR NESEMODUL
TYPE	STØRRELSE	DELENUMMER	DIM. 'A'	DIM. 'B'	DELENUMMER
AVBOLT <sup>®</sup>	1/4"	07220-07500	70 mm	19 mm	07900-00905
	5/16"	07220-07700	100 mm	27 mm	07900-00905
AVDELOK <sup>®</sup>	5/16"	07220-05600	130 mm	27 mm	
	3/8"	07220-02000	100 mm	27 mm	
AVSEAL <sup>®</sup> II	16 mm	07220-06800	100 mm	27 mm	07900-00840
AVTAINER <sup>®</sup>	3/8"	* 71230-15600	130 mm	23 mm	
MONOBOLT <sup>®</sup>	1/4"	* 71230-15800	130 mm	27 mm	
	3/8"	07220-07200	110 mm	27 mm	
NEOBOLT <sup>®</sup>	5/16"	73200-05000	100 mm	27 mm	07900-01071
	3/8"	73200-05100	100 mm	27 mm	07900-01071

Merknader:

Lengdedimensjonene er rundet av.

\* Det er et krav for å montere adapteren med delenummer 07267-00800 til å passe til denne nese modulen.

\*Nese modul med kjeveløsner.

Se illustrasjon på side 8 for identifikasjon av nese modul dimensjoner 'A' og 'B'.

Sikkerhetsanvisningene skal alltid følges.

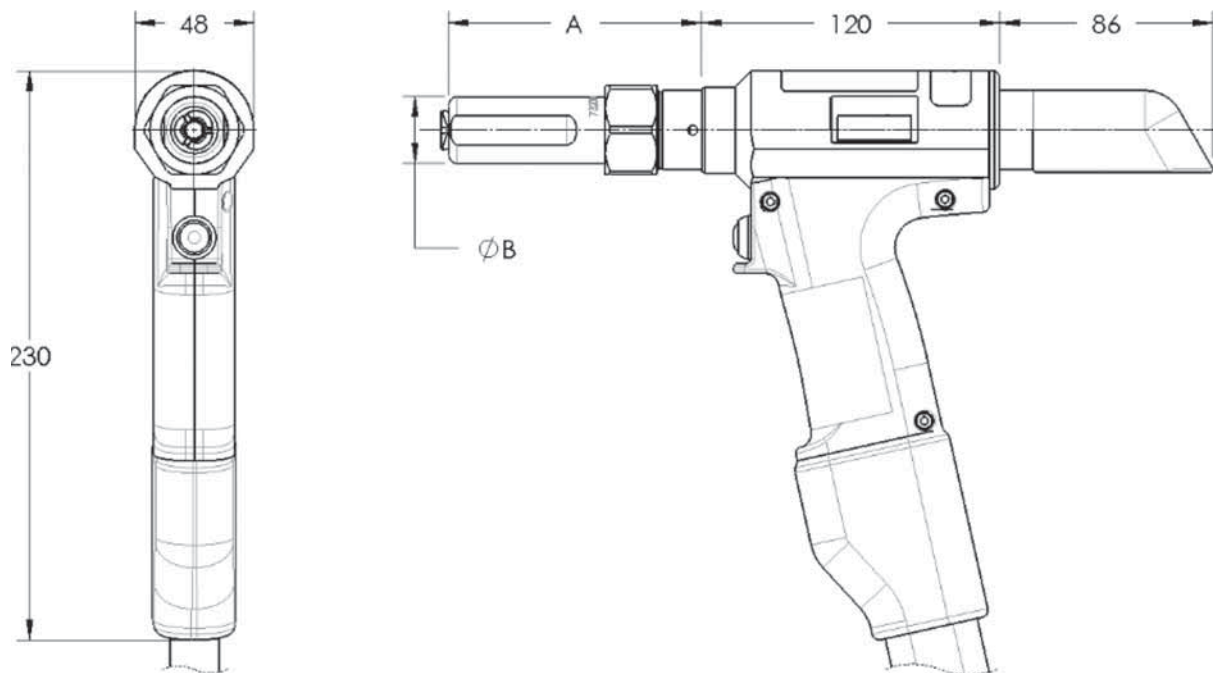
### 2.2 VERKTØYSPESIFIKASJONER

SPESIFIKASJON		METERSY-STEMET	IMPERIAL
Kraft:	Trekk ved nominelt trekktrykk	36,0 kN	8992,4 lbf
	Avskyvning ved nominelt returtrykk	17,5 kN	3934,1 lbf
Trykk:	Trekk	510 bar	7396,9 lbf/in <sup>2</sup>
	Retur	200 bar	2900,7 lbf/in <sup>2</sup>
Slaglengde:	Minimum stempelslag	30,0 mm	1,18 in
Vekt:	Med neseutstyr og slange	2,9 kg	6,4 lb
Hydraulikkolje:	Hydraulikkolje – HF-95X	-	-
	Kjerneutstøting		Bak
	Pakningutforming	Doble leppe- og avstrykerpakninger	
Ekstra funksjoner:	Hydrauliske lagerringer	Ja – Fremme og bak	
	Beskyttelseshåndtak/slangeføring		Ja
	Beskyttende slangebeskyttelse		Ja
	Slange/kabel festeklemmer		Ja

Støyverdier bestemt i samsvar med teststandard for støy i ISO 15744 og ISO 3744.		AV5
A-vektet lydeffektnivå dB(A), LWA	Usikkerhet lyd: kWA = 3,0 dB(A)	86,9 dB(A)
A-vektet avgitt lydtrykknivå på arbeidsstedet dB(A), LpA	Usikkerhet lyd: kpA = 3,0 dB(A)	75,9 dB(A)
C-vektet topp lydtrykknivå dB(C), LpC, topp	Usikkerhet lyd: kpC = 3,0 dB(A)	81,1 dB(C)

Støyverdier bestemt i samsvar med teststandard for støy i ISO 20643 og ISO 5349		AV5
Vibrasjonsutslippsnivå, ahd:	Usikkerhet vibrasjon: k = 1,34 m/s <sup>2</sup>	2,69 m/s <sup>2</sup>
Erklærte vibrasjonsutslippsverdier i samsvar med EN 12096		

### 2.3 VERKTØYDIMENSJONER



Alle dimensjonene vises i millimeter. Illustrasjonene vises med nesemodulen 3/8" NeoBolt® montert. Verktøyets utseende varierer med forskjellige nesemoduler montert.

Se tabellen på side 7 for dimensjonene for nesemodul 'A' og 'B'.

Verktøyet har to hydrauliske slanger og en elektrisk kontrollkabel på 0,6 m montert. Ekstra lengder av hydraulisk slange og skjøtekabel kan bestilles separat om nødvendig. Se tabellen under for tilgjengelige slangemodullengder og respektive delenummer.

HYDRAULISK SLANGEMODUL	
DELENUMMER	SLANGELENGDE
07008-00448	5 meter
07008-00449	10 meter
07008-00450	15 meter

## 3. TA I BRUK

### 3.1 FUNKSJONSPRINSIPP

#### **VIKTIG – LES SIKKERHETSREGLENE PÅ SIDE 4–6 OG BRUKSANVISNINGEN FOR PUMPEENHETEN NØYE FØR BRUK.**

Når både slanger og kontrollkabel er koblet til den hydrauliske pumpeenheten Avdel®/Enerpac®, kontrolleres trekk- og retursyklusene til verktøyet ved å trykke og slippe avtrekkeren i håndtaket.

Når bryteren trykkes inn, vil magnetventilen i hydraulikkpumpen aktiveres og fører trykksatt oljeflow til trekk-siden av stampelet i nagleverktøyet. Dette lar også oljen i retursiden av nagleverktøyet returnere til reservoaret.

Under trekksyklusene beveger stempel/kragemodulen seg bakover i verktøyet og lar puten i o-ringtype skyve medfører og kjever forover. Dersom en nagle er satt inn i nesemodulen, vil kjevesettet klemme fast naglekjernen og monteringen foretas.

For Avbolt- og Avdelok® er installasjonssyklusen først å klemme inn naglen som skal settes inn, og deretter vil kragen stukes inn i låsesporene i naglekjernen når ambolten fortsetter forover. Ved slutten av stukingen vil ambolten løftes igjen opp mot festepunktet, og så knekkes kragekjernen av når bevegelsen fortsetter.

Avtrekkeren må slippes straks et pinnebrudd skjer. Ved å slippe avtrekkeren vil magnetventilen deaktivere og snu flowretningen av trykksatt olje.

Dersom avtrekkeren ikke slippes, vil stampelet i nagleverktøyet fortsette å bevege seg bakover i verktøyet til det når enden av stempelslaget. Trykket i trekk-siden vil da øke til en innstilt "høyt trykk" verdi nås på pumpen. På dette punktet vil magnetventilen automatisk deaktivere og gjennomstrømningsretningen på trykksatt olje snus til retursiden av nagleverktøyet.

I begge tilfeller vil trykksatt olje nå strømme inn i retursiden av nagleverktøyet og oljen i trekk-siden returneres til reservoaret.

Bevegelsen forover av stempel/krage-modul vil støte ut den installerte naglen fra ambolten.

På punktet avtrekkeren slippes eller når verdien "høyt trykk" nås, vil magnetventilen deaktivere og aktivere en forhåndsinnstilt "returtimer". Denne kontrollerer tiden som pumpemotoren vil fortsette å gå før den kobler til hvilemodus. Timeren kan manuelt stilles inn mellom 5 og 20 sekunder for å sikre at naglevertøyet alltid går helt tilbake til fremre posisjon (se bruksanvisningen for pumpen 07900–01030, side 10 og 13).

Når stampelet går til posisjon helt foran, vil trykket øke til forhåndsinnstilt verdi for lavt trykk – ca. 200 bar. Pumpemotoren vil fortsette å gå til returtimeren er utløpt. Etter denne tiden vil motoren stoppe automatisk og ventilen vil skifte til hvileposisjon. Magnetventilen vil så automatisk gå gjennom syklus for å slippe trykksatt olje til reservoaret, både fra trekk- og retursiden av nagleverktøyet.

Dette holder nagleverktøyet i fremre posisjon. På dette punktet er det ikke trykk i hydraulikksystemet.

Hydraulikkpumpen vil automatisk starte når avtrekkeren på verktøyet trykkes inn.

### 3.2 FORBEREDELSE FOR BRUK

**FORSIKTIG – KORREKT TREKK- OG RETURTRYKK ER VIKTIG FOR KORREKT FUNKSJON AV NAGLEVERKTØYET. PERSONSKADER ELLER SKADER PÅ UTSTYR KAN OPPSTÅ SOM FØLGE AV FEIL TRYKK. TREKK- OG RETURTRYKK SOM LEVERT AV HYDRAULIKKPUMPEN SKAL IKKE OVERSTIGE ANGITTE TRYKK I SPESIFIKASJONENE FOR NAGLEVERKTØYET.**

**VIKTIG – FØR DU TAR I BRUK MONTERINGSVERKTØYET OG HYDRAULIKKSLANGEN:**

**FORSIKRE DEG OM AT PUMPENS TRYKKAVLASTINGSVENTIL ER STILT INN I SAMSVAR MED PUMPENS BRUKSANVISNING OG MAKSIMALT TRYKK ANGITT FOR NAGLEVERKTØYET OG SLANGENE.**

**FORSIKRE DEG OM AT SLANGESETTET ER FORHÅNDSSPYLT MED HYDRAULIKKVÆSKE I SAMSVAR MED PROSEDYREN I PUMPENS BRUKSANVISNING 07900–01030.**

- Forsikre deg om at strømforsyningen til hydraulikkpumpen er slått av.
- Koble nagleverktoyets slangehurtigkoblinger direkte til pumpeenheten før du kobler til den elektriske kontrollkabelen. Slinger og kontrollkabel skal kobles til i denne rekkefølgen og kobles fra i motsatt rekkefølge.
- Slå på strømforsyningen til hydraulikkpumpen. Vent 5 sekunder for at pumpeenheten skal gjennomføre startprosedyren før du trykker inn avtrekkeren. Når alt er klart vil LCD-skjermen på pumpeenheten vise "AVDEL".
- Under startprosedyren vil pumpens kontrollsystem registrere bruk av avtrekkeren og forhindre at motoren starter. LCD-skjermen vil i så fall vise "BUTTON FAULT" (bryterfeil). Reset ved å slå av strømforsyningen i 10 sekunder.
- Forsikre deg om at nagleverktoyet er plassert lavere enn pumpens reservoartanker. Trykk inn og slipp verktoyets avtrekker noen ganger til nesten fullt stempelslag for å sirkulere hydraulikkvæske og bli kvitt eventuell luft i verktoyets.
- Observer verktoyets drift. Sjekk om det er væskelekkasjer og forsikre deg om at stempelet i hvileposisjon er i posisjon helt forover. Nagleverktoyets er nå forberedt.
- Slå av strømforsyningen til hydraulikkpumpen og koble nagleverktoyets fra pumpen i motsatt rekkefølge som angitt over.
- Koble nå nagleverktoyets til forberedt slangesett og elektrisk kontrollkabel. Koble deretter det hydrauliske slangesettets hurtigkoblinger og den elektriske kontrollkabelen til pumpeenheten.
- Sett nesemodulen på verktoyets i samsvar med instruksene i databladet for den relevante nesemodulen.
- Slå på strømforsyningen til hydraulikkpumpen som angitt over.
- Trykk inn og slipp verktoyets avtrekker noen ganger til nesten fullt stempelslag for å sirkulere hydraulikkvæske.
- Verktoyets er nå klart for bruk.

## 4. BRUKSANVISNING

### 4.1 INSTALLERE EN AVBOLT®-NAGLE

For mer informasjon om denne naglen, se datablad for nesemodulen som angitt i tabell på side 7. Informasjonen under er kun som informasjon.

- Sjekk arbeidsstykket og reduser for store gap. (Gap er mellomrommet mellom komponentene i leddet. Gapet er for stort dersom naglekjernen som nesemodulen skal gripe i ikke stikker gjennom kragen).
- Sett Avbolt-naglen i hullet.
- Skyv nesemodulen på pinnen til nesemodulens ambolt stopper mot kragen. Verktøyet og nesemodulen skal holdes i rett vinkel (90°) mot arbeidsstykket.
- Trykk inn verktøyets avtrekker for å starte installasjonssyklusen.
- Når bevegelsen forover av ambolten på nesemodulen stopper og naglekjernen knekker av, slipp avtrekkeren. Verktøyet starter retursyklus og skyver av den monterte naglen. Ved slutten av returslaget vil kjevene delvis slippe den brukte naglekjernen som deretter kan skyves gjennom kjevene ved neste installasjon, og blir støtt ut gjennom bakenden av verktøyet.
- Når den monterte naglen er støtt ut, er verktøyet og nesemodulen klar for neste installasjon.

### 4.2 INSTALLERE ENAVDELOK®-NAGLE

For mer informasjon om denne naglen, se datablad for nesemodulen som angitt i tabell på side 7. Informasjonen under er kun som informasjon.

- Sjekk arbeidsstykket og reduser for store gap. (Gap er mellomrommet mellom komponentene i leddet. Gapet er for stort dersom naglekjernen som nesemodulen skal gripe i ikke stikker gjennom kragen).
- Sett Avdelok®-naglen inn i hullet.
- Skyv Avdelok®-kragen over pinnen. (Den skrå enden av kragen skal peke mot nesemodulen og verktøyet.)
- Skyv nesemodulen på pinnen til nesemodulens ambolt stopper mot kragen. Verktøyet og nesemodulen skal holdes i rett vinkel (90°) mot arbeidsstykket.
- Trykk inn verktøyets avtrekker for å starte installasjonssyklusen.
- Når bevegelsen forover av ambolten på nesemodulen stopper og naglekjernen knekker av, slipp avtrekkeren. Verktøyet starter retursyklus og skyver av den monterte naglen. Ved slutten av returslaget vil kjevene delvis slippe den brukte naglekjernen som deretter kan skyves gjennom kjevene ved neste installasjon, og blir støtt ut gjennom bakenden av verktøyet.
- Når den monterte naglen er støtt ut, er verktøyet og nesemodulen klar for neste installasjon.

**FORSIKTIG – IKKE FORSØK Å KNEKKE AV EN NAGLEKJERNE UTEN EN INSTALLERT KRAGE, DETTE VIL FØRE TIL AT DEN USIKREDE DELEN AV AVDELOK· ELLER AVBOLT· NAGLEKJERNEN STØTES UT AV NESEN MED HØY HASTIGHET OG KRAFT.**

### 4.3 INSTALLERE EN NEOBOLT® NAGLE

For mer informasjon om denne naglen, se datablad for nesemodulen som angitt i tabell på side 7. Informasjonen under er kun som informasjon.

- Sett NeoBolt®-naglekjernen i hullet og skyv den helt gjennom lagene som skal nagles sammen.
- Sett NeoBolt®-kragen over naglekjernen (den flensedede enden av kragen skal være nærmest arbeidsstykket) og roter med klokken for å låse kragen på kragekjernen, minst en halv omdreining.
- Skyv kragen over nagletrekkjernen til kragen helt dekker trekksporet på NeoBolt®-**naglen** og trekkjernen kommer i kontakt med kragestoppet. Nagleverktøyet skal holdes i rett vinkel (90°) mot arbeidsstykkets overflate.
- Trykk og hold inne verktøyets avtrekker for å starte installasjonssyklusen. Kragen griper NeoBolt®-naglekjernen og trekke ambolten opp mot kragen.
- Fortsett å holde avtrekkeren inne til kragen er helt stuket og bevegelsen forover av ambolten stopper mot krageflensen. Nagleverktøystempelet og kragen vil automatisk returnerer for å skyve ambolten av den installert kragen og slipper kragekjernen av kragen.
- Slipp avtrekkeren.
- Så snart den monterte naglen er støtt ut av ambolten, vil nagleverktøyet, nesemodulen og pumpeenheten være klar for neste installasjon.

**FORSIKTIG – Ikke slipp avtrekkeren før nagleverktøyets trekksyklus er ferdig og verktøyet automatisk har gått til retursyklus. Dersom du slipper avtrekkeren før dette punktet, vil det gi feilaktig festet og bare delvis installert NeoBolt® nagle.**

## 5. SERVICE PÅ VERKTØYET

**VIKTIG – LES SIKKERHETSINSTRUKSENE PÅ SIDE 4–6. ARBEIDSGIVEREN ER ANSVARLIG FOR Å SIKRE AT VERKTØYETS VEDLIKEHOLDSANVISNINGER GIS TIL DET AKTUELLE PERSONELLET. BRUKEREN SKAL IKKE DELTA I VEDLIKEHOLD ELLER REPARASJON AV VERKTØYET DERSOM HAN/HUN IKKE HAR ORDENTLIG OPPLÆRING. VERKTØYET SKAL EKSAMINERES MED JEVNE MELLOMROM FOR Å FINNE SKADE ELLER FUNKSJONSFEIL.**

### 5.1 DAGLIG VEDLIKEHOLD

- Sjekk nagleverktøyet, slanger og hurtigkoblinger for oljelekkasjer.
- Slitte eller skadede slanger og koblinger skal skiftes ut.
- Sjekk at slaget til verktøyet møter spesifikasjonene.
- Sjekk at endehetten ordentlig og godt montert på kroppen av AV®5.
- Sjekk at naglekjernerdeflektoren er montert.
- Sjekk at pumpens trykkavlastningsventil for trekk/mating fungerer korrekt.
- Sjekk at neseutstyret er korrekt for naglen som skal brukes og at det er festet skikkelig.
- Sjekk om ambolten er slitt, indikert ved rissemærker på den installerte kragen. Det kan også bekreftes ved å se på installasjonsdata i naglekatalogen. For mye slitasje kan føre til at ambolten sprekker.

### 5.2 UKENTLIG VEDLIKEHOLD

- Demonter og rengjør nesemodulen, spesielt kjever som beskrevet i relevant datablad for nesemodulen.
- Sjekk nagleverktøyet, slanger og hurtigkoblinger for oljelekkasjer.

**FORSIKTIG - Du skal aldri bruke løsemidler eller andre sterke kjemikalier for rengjøring av ikke-metalliske deler av verktøyet. Disse disse kjemikaliene kan svekke materialene brukt i disse delene.**

### 5.3 ÅRLIG VEDLIKEHOLD / HVER 250 TUSEN BRUKSOPERASJONER

- Årlig eller etter 250 000 sykluser (det som inntreffer først) skal verktøyet demonteres komplett og nye komponenter settes inn ved slitasje, skader eller dersom anbefalt. Alle o-ringer, støtteringer og pakninger skal skiftes og smøres med MolyKote® 111-smørefett før montering.

### 5.4 SERVICESETT

For komplett service er følgende servicesett tilgjengelig:

SERVICESETT: 73425-99990			
DELENUMMER	BESKRIVELSE	DELENUMMER	BESKRIVELSE
07005-10118	Hurtigkobling – Hann	07900-01103	AV®5 Stempelføringhylse
07005-10120	Hurtigkobling – Hunn	07900-01104	AV®5 monteringsverktøy for endehette
07900-00043	AV®5 stempelkule – Fremme AV®5	07992-00020	Smørefett – MolyLithium EP3753
07900-01101	Stempelkule – Bak	07900-00755	Smørefett – MolyKote 111
07900-01102	AV®5 Front pakkboks styrepinne	07900-00756	Loctite 243-trådlåser
		07002-00478	M4 X 20-uttak HD-hodeskrue

### 5.5 SERVICEVERKTØY

Følgende standard verktøy behøves:

- Unbrakonøkkel: 2,0 / 3,0 mm
- Flat fastnøkkel: 12 / 14 / 18 / 24 / 45 mm A/F (fastnøkkel)
- PTFE-tape: 10 mm
- Skrustikke med kjevebeskyttere – 150 mm



## 5.6 HYDRAULIKKOLJE

**FORSIKTIG – Bruk kun Enerpac® HF-hydraulikkolje – bruk av annen olje kan føre til at popnagleverktøyet og pumpen svikter og vil gjøre garantien for popnagleverktøyet ugyldig.**

Hydraulikkolje kan bestilles under følgende delenummer.

HYDRAULIKKOLJE			
DELENUMMER	07992-00081	07992-00082	07992-00083
Enerpac® Delenummer	HF-95X	HF-95Y	HF-95T
Volum	1 Liter	5 Liter	20 Liter
Viskositet	32 mm <sup>2</sup> /s	32 mm <sup>2</sup> /s	32 mm <sup>2</sup> /s

## 5.7 DEMONTERINGSANVISNINGER

**VIKTIG – FORSIKRE DEG OM AT STRØMFORSYNINGEN TIL HYDRAULIKKPUMPEN ER SLÅTT AV FØR DU TAR AV NESEMODULEN ELLER DEMONTERER NAGLEVERKTØYET.**

### Før demontering:

- Koble fra hurtigkoblingene **9** og **10** og elektrisk kontrollkabel **14** mellom nagleverktøyet og hydraulikkslange-modulen.
- Ta nesemodulen av verktøyet i samsvar med instruksene i databladet for den relevante nesemodulen.
- Potensielt farlige stoffer som kan være avsatt på maskinen som følge av arbeidsprosessene skal fjernes før vedlikehold.

For komplett service på verktøyet, anbefaler vi at du foretar demontering av verktøy i rekkefølgen som angitt på side **14** til **17**. Etter demontering av verktøyet anbefaler vi at du skifter ut alle pakninger.

### Hodestempelmodul:

- Flytt deflektoren **3** fra endehetten **15**.
- Klem fast verktøyhåndtaket i en skrustikke med myke kjever slik at verktøyet peker med nesen ned. Sett bindeaglene på monteringsverktøyet for endehette inn i hullene til endehetten **15**.
- Bruk en 45 mm fastnøkkel, skru av og ta av endehetten **15** fra kroppen **1**.
- Bruk en liten flat skrutrekker og ta av o-ringene **28** fra endehetten **15** og kast den.
- Koble den ekstra \*hurtigkoblingen – hann, til hurtigkobling – hunn **10** på hydraulikkslange – retur **24**. Dette vil slippe trykket fra retursiden av stempelet **18** og gjøre det enklere å ta av pakkboksen bak **16**. Merk: Hydraulikkolje støtes ut av den reserve hurtigkoblingen – hann
- Sett inn tre M4-skruer i pakkboksen bak **16** og bruk dem til å dra delen av bakskaftet til stempelet **18** og ut av kroppen **1**.
- Bruk en liten flat skrutrekker eller lignende verktøy og ta av o-ringene **31** og spiralformet støttering **30**, fra det utvendige sporet på pakkboksen bak **16** og kast dem. Når du tar av pakningene, pass på å ikke skade overflaten på pakkboksen bak med skrutrekkeren.
- Ta av stempelstangpakningen **29** og avstrykerpakning **33** fra de innvendige sporene på pakkboksen bak **16** og kast dem. Når du tar av pakningene, pass på å ikke skade overflaten på pakkboksen bak med skrutrekkeren.
- Ta av lagerringen bak **32** og sjekk delen for slitasje eller skader. Kast delen om nødvendig.
- Ta av nagleverktøyet fra skrustikken og tøm ut hydraulikkoljen fra bakenden av verktøyet. Fjern den ekstra \*hurtigkoblingen – hann, fra hurtigkobling – hunn **10** på hydraulikkslange – retur **24**.

Alle uthevede tall henviser til Generell montering og Deleliste på side 18, 19 og 20.

- \* Servicesett på side 13
- Koble den ekstra \*hurtigkoblingen – hunn, til hurtigkobling – hann **9** på hydraulikkslange – trekk **25**. Dette vil

slippe av trykket fra trekksiden av stempelet **18** og gjøre det enklere å ta av endehetten. Merk: Hydraulikkolje støtes ut av den reserve hurtigkoblingen – hunn.

- Skru \*stempelkule – front på fronten av stempelet **18**.
- Sett kroppen **1** med nesen opp på en benk. Bruk en myk hammer og bank stempelet **18** mot bakenden av kroppen og ut av bakenden, pass på å ikke skade hullet i kroppen.
- Merk at når du tar av stempelet **18** vil olje fra trekksiden av stempelet **18** lekke fra fronten og bakenden av kroppen **1**.
- Når du tar av stempelet **18** kan pakkboksen fremme **17** bli sittende igjen på stempelstangen. I så fall skru av \*stempelkule - front og trekk pakkboksen fremme av stempelet.
- Bruk en liten flat skrutrekker for å ta av stempelpakningen **35** og de to anti-ekstruderingsringene **34** fra det utvendige sporet på stempelet **18** og kast dem. Når du tar av pakningene, pass på å ikke skade overflaten på stempelet med skrutrekkeren.
- Dersom pakkboksen fremme **17** fortsatt sitter igjen i kroppen **1**. Sett kroppen med nesen opp på en benk og skyv pakkboksen fremme fra fronten til den er fri fra fordypningen i kroppen. Pakkboksen fremme kan nå tas ut fra bakenden av kroppen. Pass på å ikke skade hullet i kroppen når du gjør dette.
- Bruk en liten flat skrutrekker eller lignende verktøy og ta av o-ringene **38** og spiralformet støttering **39**, fra det utvendige sporet på pakkboksen fremme **17** og kast dem. Når du tar av pakningene, pass på å ikke skade overflaten på pakkboksen fremme med skrutrekkeren.
- Ta av stempelstangpakningen **36** og avstrykerpakning **40** fra de innvendige sporene på pakkboksen fremme **17** og kast dem. Når du tar av pakningene, pass på å ikke skade overflaten på pakkboksen fremme med skrutrekkeren.
- Ta av lagerringen fremme **37** og sjekk delen for slitasje eller skader. Kast delen om nødvendig.
- Koble den ekstra \*hurtigkobling – hunn, fra hurtigkobling – hann **9** på hydraulikkslangen – trekk **25**.

#### Monter i motsatt rekkefølge og pass på av følgende punkter:

- Rengjør alle komponenter før montering.
- For å gjøre monteringen av pakningene enklere, påfør litt Molykote® 111-smørefett på alle pakninger, støtteringer og monteringsverktøy.
- Skyv o-ringene **38** over pakkboksen fremme **17** og inn i det utvendige sporet. Sett inn spiralformet støttering **39** i samme spor, for an den monterte o-ringene. Se Generell montering og Deleliste for korrekt orientering av o-ring og spiralformet støttering.
- Press lagerringen fremme **36** inn på den interne fordypningen i pakkboksen fremme **17** og installer stempelstangpakningen **36** bak lagerringen fremme. Installer avstrykerpakning **40** i den fremre fordypningen på pakkboksen fremme. Se Generell montering for å sikre korrekt orientering av stempelstangpakningen og avstrykerpakningen.
- Smør overflaten og forkanten av **2** hullet i kroppen som pakkboksen fremme **17** skal installeres i med Molykote® 111 smørefett.
- Smør nippelen på \*styrepinne for pakkboksen fremme og plasser pakkboksen fremme **17** og stempelstangpakningen **36** med enden først over nippelen. Sett \*styrepinne for pakkboks fremme inn i bakenden av kroppen **1** og skyv pakkboksen fremme helt inn i hullet i kroppen. Moderat kraft er nødvendig for å sette inn pakkboksen fremme i kroppen, det kan være nødvendig å bruke en presse eller en skrustikke. Ta av \*styrepinne for pakkboksen fremme og pass på at pakkboksen fremme holder seg på plass.
- Smør pakningssporet og utvendig hoveddiameter på stempelet **18** med Molykote® 111-smørefett. Skyv stempelpakningen **35** over fronten av hoveddiameter på stempelet og inn i pakningssporet. Installer anti-eks-truksjonsringer **34** i stempelets pakningsspor, en på hver side av stempelpakningen.
- Skru \*stempelkule – front på fronten av stempelet **18**. Smør \*stempelkule –front, stempelstang og stempelpakningen **35** med Molykote® 111-smørefett.

Alle uthevede tall henviser til Generell montering og Deleliste på side 18, 19 og 20.

\* Servicesett på side 13

- Skru \*stempelstyrehylsen helt inn i bakenden av kroppen **1**. Smør hullene i både kroppen og \*stempelstyrehylsen med Molykote® 111 smørefett.
- Koble den ekstra \*hurtigkoblingen – hunn, til hurtigkobling – hann **9** på hydraulikkslange – trekk **25**. Dette vil la luft slippe ut fra trekksiden av stampelet **18** når du setter inn stampelet.
- Sett det monterte stampelet **18** inn i bakenden av kroppen **1** og gjennom den monterte pakkboksen fremme **17**. Skyv stampelet inn i posisjon helt fremme til det stopper mot pakkboksen fremme. Hydraulikkolje vil støtes ut av hydraulikkslangen – trekk **25**.
- Koble den ekstra \*hurtigkobling – hunn, fra hurtigkobling – hann **9** på hydraulikkslangen – trekk **25**. Ta \*stempelstyrehylsen av bakenden av kroppen **1**.
- Skyv o-ringen **31** over pakkboksen bak **16** og inn i det utvendige sporet. Sett inn spiralformet støttering **30** i samme spor, bak den monterte o-ringen. Se Generell montering og Delaliste for korrekt orientering av o-ring og spiralformet støttering.
- Press lagerringen bak **32** inn på den interne fordypningen i pakkboksen bak **16** og installer stempelstaggpakningen **29** bak lagerringen bak. Installer avstrykerring **33** i den bakre fordypningen på pakkboksen bak. Se Generell montering for å sikre korrekt orientering av stempelstaggpakningen og avstrykerringen.
- Klem fast verktøyhåndtaket i en skrustikke med myke kjever slik at verktøyet peker med nesene ned.
- Smør overflaten og forkanten av **1** hullet i kroppen som pakkboksen bak **16** skal installeres i med Molykote® 111-smørefett. Smør stempelstangen bak **18** med Molykote® 111-smørefett.
- Sett inn stempelkule – bak inn i stempelstangen bak **18** og smør den inn med Molykote® 111-smørefett.
- Fyll bakenden av kroppen **1** med Enerpac® HF-hydraulikkolje. Oljenivået skal være rett over inntakshullet i kroppen.
- Koble den ekstra \*hurtigkoblingen – hann, til hurtigkobling – hunn **10** på hydraulikkslange – retur **24**. Dette vil la luft slippe ut fra retursiden av stampelet **18** når du setter inn pakkboksen bak **16**. Merk: Hydraulikkolje kan støtes ut av den reserve hurtigkoblingen – hunn.
- Plasser pakkboksen bak **16** over \*stempelkule – bak. Trykk deretter pakkboksen bak over stempelstangen **18** og inn i bakenden av kroppen **1**. Trykk pakkboksen bak inn i kroppen til et par interne gjenger vises på baksiden av kroppen. Pass på å ikke skade o-ringen **31** og Spiral backup-ringen **30** på gjengene når du setter inn pakkboksen bak.
- Smør både den innvendige gjengen i kroppen **1** og den utvendige gjengen på endehetten **15** med MolyLithium-smørefett.
- Skru endehetten **15** helt inn i bakenden av kroppen **1** ved hjelp av \*monteringsverktøyet for endehetten. Når du gjør dette blir pakkboksen bak **16** trykket i posisjon i kroppen **1** og en liten mengde olje støtes ut av den hydrauliske slangen – retur **24**.
- Fjern den ekstra \*hurtigkoblingen – hann, fra hurtigkobling – hunn **11** på den hydrauliske slangen – retur **24**.
- Trykk deflektoren **3** på endehetten **15**.
- Forbered nagleverktøyet som beskrevet i Forberedelser for bruk på side **10**.

#### Montere slangen:

- Ta ut de to skruene **8** fra slangeklemmen **13** med en 3,0 mm unbrakonøkkel. Ta av slangeklemmen og klemmeinnlegget **26** fra beskyttelseshetten **27** og hydraulikkslangene – retur **24** og trekk **25**.
- Bruk en liten flat skrutrekker og vipp håndtakføringen **7** fra håndtaksdelene **11** og **12**. Trekk håndtakføringen over beskyttelseshylsen **27**, hydraulikkslanger – retur **24** og trekk **25** og ta av.
- Bruk en 3,0 mm unbrakonøkkel: (og en 7,0 mm nøkkel på bunnmutteren) og skru av de fire skruene **20** som holder håndtaksdelene **11** og **12** sammen, og ta av.

Alle uthevede tall henviser til Generell montering og Delaliste på side 18, 19 og 20.

\* Servicesett på side 13

- Avtrekkeren **6** er loddet fast til kontrollkabelen. Ta denne modulen av håndtakene **11** og **12**. Kabelgjennomføringen (gummihylse) **22** er del av denne modulen.
- Kutt kabelstripsen **43** og skyv beskyttelseshylsen **27** tilbake for å eksponere fittingene på hydraulikkslange **24** og **25**. Hydraulikkslangene kan tas av kroppen **1** med 12 mm og 14 mm nøkkel.
- Hurtigkobling - hann **9** og hunn **10** kan tas av hydraulikkslange **24** og **25** med nøkler på 18 mm og 24 mm.

**Monter i motsatt rekkefølge og pass på av følgende punkter:**

- Før montering, rengjør alle gjenger på hurtigkobling – hann **9** og hunn **10** og hydraulikkslange – Retur **24** og Trekk **25**. Påfør deretter tre lag av 10 mm PTFE-tape på hanningene på begge hydraulikkslanger.
- Etter montering, forberede verktøyet i henhold til instruksene på side 10.

### **5.8 MILJØVERN**

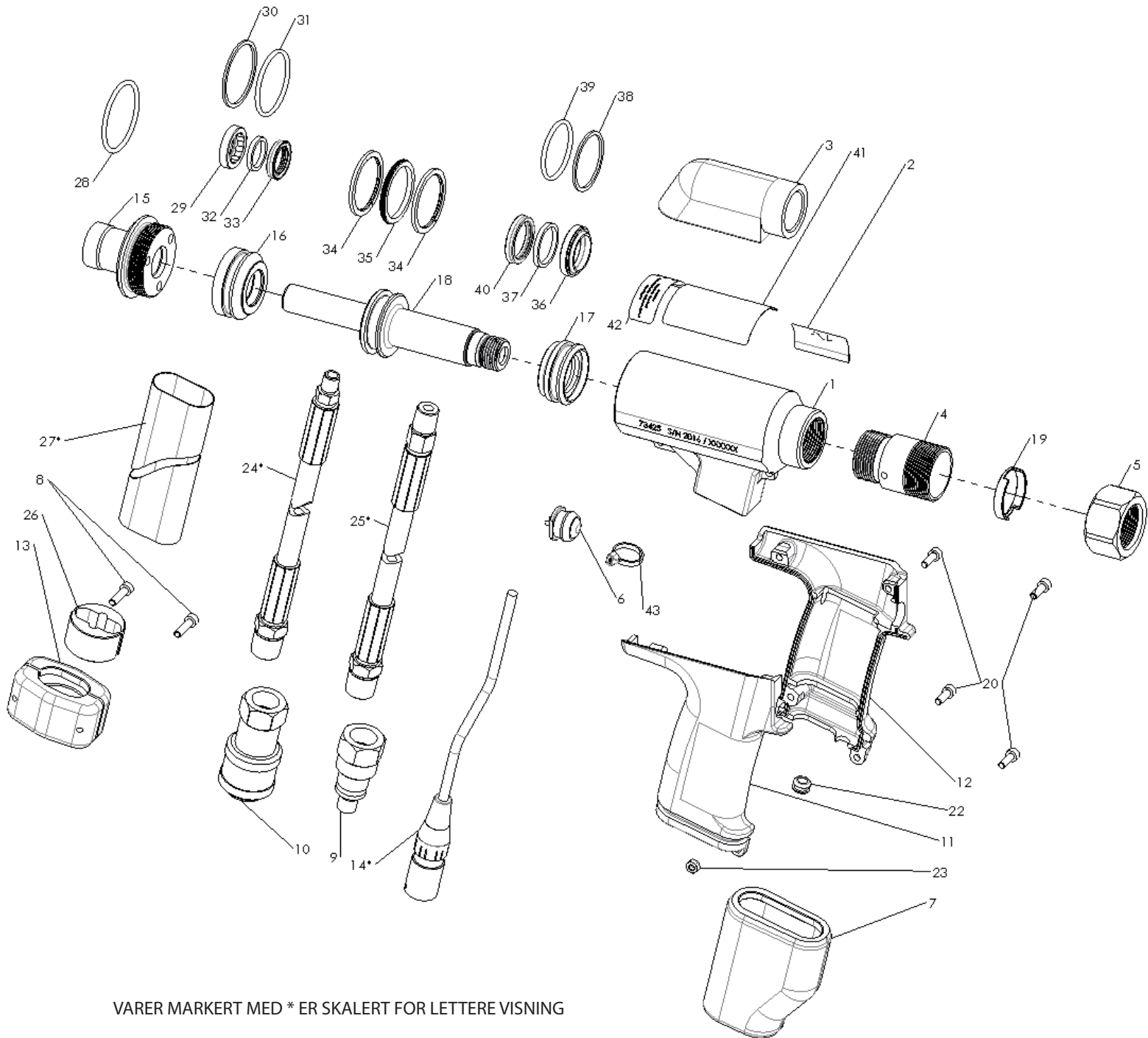
- Forsikre deg om samsvar med gjeldende forskrifter for avhending. Avhende alt avfall via godkjent avfallshåndtering eller retursted for å unngå at personell og miljø eksponeres for fare.

Alle **uthevede** tall henviser til Generell montering og Deleliste på side 18, 19 og 20.

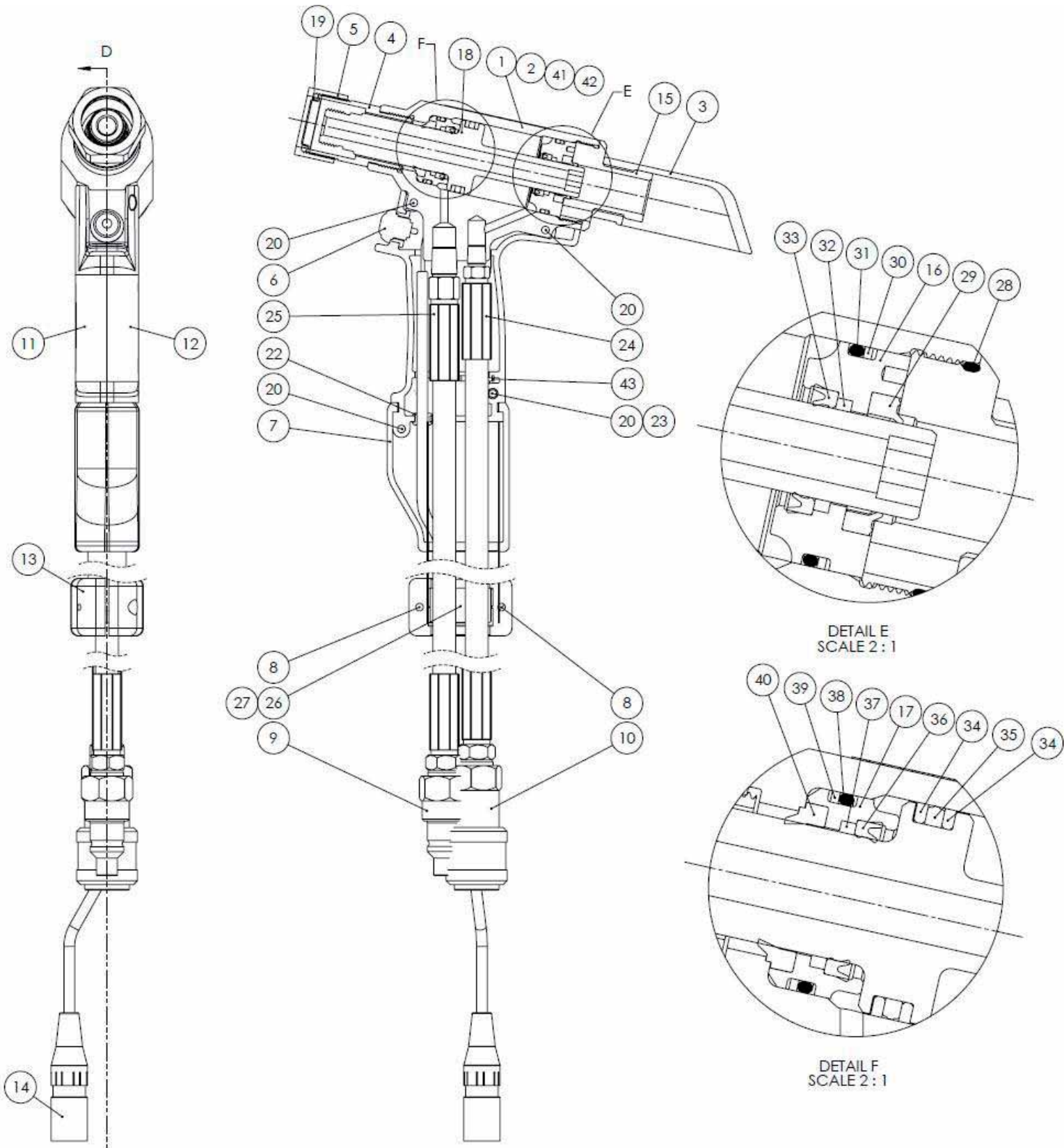
\* Servicesett på side 13.

## 6. GENERELL MONTERING OG LISTE OVER DELER

### 6.1 GENERELL MONTERING



VARER MARKERT MED \* ER SKALERT FOR LETTERE VISNING



## 6.2 LISTE OVER DELER

73425-02000 LISTE OVER DELER			
PUNKT Nr.	DELENUMMER	BESKRIVELSE	ANT.
1	73425-02003	AV®5-hode	1
2	73425-02014	AV®5-etikett	1
3	73200-02030	Deflektor	1
4	73200-02041	Adapter	1
5	73200-02042	Låsemutter	1
6	73425-02013	Avtrekkermodul	1
7	73430-02020	Håndtakføring	1
8	07001-00686	M4 hodeskrue for uttak	2
9	07005-10118	Hurtigkobling – hann	1
10	07005-10120	Hurtigkobling – hunn	1
11	73425-02009	Håndtaksdel – venstre	1
12	73425-02015	Håndtaksdel – høyre	1
13	73430-02023	Slangeklemme	1
14	07007-02105	Kontrollkabel	1
15	73425-02007	Endehette	1
16	73425-02006	Pakkboks bak	1
17	73425-02005	Pakkboks fremme	1
18	73425-02011	Hodestempel	1
19	73200-02043	Adaptring	1
20	07001-00688	M4 hodeskrue for uttak	4
22	07007-02140	Gummihylse	1
23	07002-00134	M4 mutter	1
24	07005-10119	Hydraulikkslange- retur	1
25	07005-10117	Hydraulikkslange- trekk	1
26	73430-02024	Klemmeinnlegg	1
27	07005-10121	Beskyttelseshylse	0,4m
28	07003-00308	O-ring	1
29	07003-00442	Avstrykerring	1
30	07003-00527	Spiral backup-ring	1
31	07003-00526	O-ring	1
32	73430-02010	Lagerring bak	1
33	07003-00441	Stempelstangpakning	1
34	07003-00521	Antiekstruksjonsring	2
35	07003-00520	Stempelpakning	1
36	07003-00523	Stempelstangpakning	1
37	73200-03104	Lagerring fremme	1
38	07003-00524	O-ring	1
39	07003-00525	Spiral backup-ring	1
40	07003-00522	Avstrykerring	1
41	73425-02016	Sikkerhetsetikett	1
42	07007-01504	CE-etikett	1
43	07007-02032	Kabelklips	1



## 7. SIKKERHETSDATA

### 7.1 Enerpac® HF HYDRAULIKKOLJE – SIKKERHETSDATA

#### FØRSTEHJELP

##### HUD:

Vil sannsynligvis ikke være skadelig for hud ved kort og tilfeldig kontakt, men langvarig utsettelse kan føre til betent hud. Vask huden grundig med såpe og vann så snart som mulig. Fjern klær som har hatt stor kontakt og vask huden under.

##### MUNN:

Vil sannsynligvis ikke være skadelig ved svelging av små doser, men større mengder kan føre til kvalme og diaré. Hvis munnen blir kontaminert, må den vaskes grundig med vann. Med mindre det gjøres med overlegg, er inntak av store mengder av produktet usannsynlig. Hvis dette skjer, må vedkommende ikke prøve å spy, men søke medisinsk hjelp. Ta personen til nærmeste sykehus/legevakt.

##### ØYNE:

Vil sannsynligvis ikke føre til mer enn midlertidig svie eller rødhet hvis det oppstår utilsiktet kontakt med øyne. Vask øynene grundig med store mengder vann, og sørg for at øyelokkene er åpne. Få medisinsk hjelp hvis smerte eller rødhet utvikler seg eller varer lenge.

##### MEDISINSKE RÅD:

Behandlingen bør generelt sett være symptomorientert og rettet mot å lindre eventuelle effekter.

Merk: Bruk under høyt trykk:

Injisering gjennom huden som resultat av kontakt med produktet under høyt trykk, utgjør et stort medisinsk nødstilfelle. Skader kan kanskje fremstå som lite alvorlige i begynnelsen, men innen noen timer vil vev hovne opp, misfarges og bli ekstremt smertefulle med omfattende vevssvinn i underhuden.

Kirurgisk undersøkelse må utføres så fort som mulig. Grundig og omfattende fjerning av dødt vev i såret og underhuden er nødvendig for å minimere tapssvinn og forhindre eller begrense permanent skade. Merk at høyt trykk kan tvinge produktet gjennom et betydelig antall vevslag.

#### AVHENDIG

Fjern alt søl med inerte, absorberende materialer. Ventilområdet der sølet oppstod. Plasser forurensede materialer i en beholder som kan kastes og kast i henhold til lokale forskrifter.

#### BRANN

FLAMMEPUNKT: 200 °C.

Slukk enten med tørre kjemikalier, skum eller karbondioksid. Ikke gå inn i et trang rom uten et frittstående pusteapparat.

#### HÅNTERING

Bruk barriere krem eller oljebestandige hansker.

#### OPPBEVARING

Tildekket og i henhold til lokale regler om brannfarlige stoffer.

### 7.2 MOLYLITHIUM SMØREFETT EP 3753 – SIKKERHETSDATA

Smørefett kan bestilles som en enkel artikkel, kan du se delenummeret på side 12 av servicesettet.

#### FØRSTEHJELP

##### HUD:

Siden smørefettet er helt motstandsdyktig mot vann, er det best å fjerne det ved hjelp av et godkjent emulgerende hudrensemiddel.

##### SVELGING:

Forsikre deg om at personen drikker 30 ml "Magnesia" (magnesiumkarbonat), helst i et glass melk.

##### ØYNE:

Irriterende men ikke skadelig. Skyll med vann og søk medisinsk hjelp.

#### BRANN

FLAMMEPUNKT: Over 220 °C.

Ikke klassifisert som brannfarlig.

Egnede slokkingsmidler: CO<sub>2</sub>, Halon eller vanntåke dersom påført ved hjelp av en erfaren operatør.

#### MILJØ

Samle opp for brenning eller avhending på godkjent mottakssted.

#### HÅNTERING

Bruk barriere krem eller oljebestandige hansker

#### OPPBEVARING

Unna varme og oksiderende stoffer.



**7.3 MOLYKOTE® 111 SMØREFETT – SIKKERHETSDATA**

Smørefett kan bestilles som en enkel artikkel, kan du se delenummeret på side 12 av servicesettet.

**FØRSTEHJELP**

HUD:

Førstehjelp er neppe nødvendig.

SVELGING:

Førstehjelp er neppe nødvendig.

ØYNE:

Førstehjelp er neppe nødvendig.

INNÅNDING:

Førstehjelp er neppe nødvendig.

**BRANN**

FLAMMEPUNKT: Over 101,1°C. (lukket)

Ekspløsjonsegenskaper: Nei

Egnede slökkingsmidler: Karbondioksidskum, tørt pulver eller fin vanntåke. Vann kan brukes for å kjøle ned brannutsatte beholdere.

**MILJØ**

Ingen negative effekter kan forventes.

**HÅNTERING**

Generell ventilasjon anbefales. Unngå øyekontakt.

**OPPBEVARING**

Skal ikke lagres i nærheten av oksiderende stoffer. Hold containeren lukket og oppbevar den unna vann eller fuktighet.

## 8. FEILDIAGNOSE

SYMPTOM	MULIG ÅRSAK	UTBEDRING	SIDEREFERANSE
Popnagleverktøyet fungerer ikke	Pumpeenhet fungerer ikke	Sjekk strømforsyning på pumpen og se pumpeenhetens bruksanvisning	
	Feil ved hurtigkoblinger <b>9</b> og <b>10</b>	Skift ut hurtigkoblingene	19
	Avtrekker kontrollkabel <b>14</b> ikke korrekt tilkoblet	Sjekk at kontrollkabelen er korrekt tilkoblet på pumpen og nagleverktøyet	10
	Defekt avtrekkerbryter <b>6</b> eller kontrollkabel <b>14</b>	Skift ut avtrekkerbryter og/eller kontrollkabel	19
Avtrekkerbryteren <b>7</b> fungerer ikke	Pumpe i lokal modus	Se pumpens bruksanvisning	
	Skadet avtrekkerbryter <b>6</b> eller kontrollkabel <b>14</b>	Skift ut avtrekkerbryter og/eller kontrollkabel	19
Pumpen går, men nagleverktøyet fungerer ikke	Hydraulikkslanger ikke tilkoblet	Sjekk korrekte tilkoblinger på pumpen og popnagleverktøyet	10
	Lavt oljenivå	Forsikre deg om at nagleverktøyet er fylt med olje og korrekt forberedt Se pumpens bruksanvisning	10
	Nagleverktøy ekstern oljekkasje	Inspiser nagleverktøyet – skift ut slitte eller skadede komponenter	14–17
	Slangemodul ekstern oljekkasje	Inspiser slangemodulen – forsikre deg om at slangekoblingene er tette, skift ut skadede slangekoblinger	19
	Pumpe intern/ekstern oljekkasje	Se pumpens bruksanvisning	
Nagleverktøyet fungerer uberegnelig	Lavt eller feilaktig trykk i hydraulikkforsyningen	Se pumpens bruksanvisning	
	Slitte eller skadede hydraulikkpakninger i nagleverktøyet	Inspiser nagleverktøyet – skift ut slitte eller skadede pakninger	14–17
	Slitte eller skadede hydraulikkpakningsflater i nagleverktøyet	Inspiser nagleverktøyet – skift ut slitte eller skadede komponenter	14–17
	Pumpe intern/ekstern oljekkasje	Se pumpens bruksanvisning	
Pumpen bygger opp fullt trykk, men naglekjer- nen knekker ikke av	Knekklast større enn nagleverk- tøyet kapasitet ved fullt trykk	Se spesifikasjonene for nagleverk- tøyet	7
	Flow til nagleverktøyet blokkert	Sjekk at hurtigkoblingene <b>9</b> og <b>10</b> er helt satt inn	10
	Pumpens trykkavlastningsventil innstilt for lavt	Juster innstilling av trykkavlastnings- ventil – se pumpens bruksanvisning	
	Trekkspor på naglekjernen stri- ppes av	Se symptom på side 24	11
	Feilaktig bruk av verktøyet		11

SYMPTOM	MULIG ÅRSAK	UTBEDRING	SIDEREFERANSE
Stempel <b>1</b> på nagle- verktøyet går ikke tilbake	Returflow begrenset eller blokkert	Sjekk at hurtigkoblingene <b>9</b> og <b>10</b> er helt satt inn og/eller har feil	10
	Hydraulikkslanger ikke tilkoblet	Sjekk korrekte tilkoblinger på pumpen og popnagleverktøyet	10
	Feil ved pumpeventil	Se pumpens bruksanvisning	
Nagleverktøyet støter ikke ut kragen fra ambolten	Pumpens returtimer feilaktig innstilt – for lavt innstilt	Juster innstilling av returtimer – se pumpens bruksanvisning	
	Pumpens retur avlastningsventil innstilt for lavt	Juster innstilling av retur avlastningsventil – se pumpens bruksanvisning	
	Lavt eller feilaktig trykk i hydraulikkforsyningen	Se pumpens bruksanvisning	
	Slitte eller skadede hydraulikkpakninger i nagleverktøyet	Inspiser nagleverktøyet – skift ut slitte eller skadede pakninger	14–17
	Slitte eller skadede hydraulikkpakningsflater i nagleverktøyet	Inspiser nagleverktøyet – skift ut slitte eller skadede komponenter	14–17
	Pumpe intern/ekstern oljekkasje	Se pumpens bruksanvisning	
Dra sporene på naglekjernen som ble strippet under installasjonen	Brukeren skyver ikke nesene helt inn på naglekjernen for bruk av verktøyet	Instruer brukeren om korrekt installasjonsmetode	11
	Feil naglelengde/holderlengde Slitte eller skadede kjevesegmenter	Bruk riktig nagle Sjekk og skift ut kjevesettet – se datablad for neseutstyr	11
	Rusk i kjevesegmenter og/eller kjernespor	Rengjør kjevesegmentene – se datablad for neseutstyr	
	For stort gap mellom platene	Lukk gapet mellom platene	11
Avdelok® eller Avbolt® krage ikke helt stuket	Feilaktig bruk av verktøyet		11
	Slitt ambolthull	Sjekk og skift ut ambolt – se datablad for neseutstyr	
Naglekjerne løsner ikke fra neseutstyret	Feilaktig montering av neseutstyr	Se datablad for neseutstyr	
Plasseringsverktøyet og hydraulikkoljen blir varm	Forhindring i hydraulikklinjen	Sjekk de hydrauliske hurtigkoblingene <b>9</b> og <b>10</b> skift ut om nødvendig	19
	Høy omgivelsestemperatur		
Hydrauliske hurtig- koblinger <b>9</b> og <b>10</b> lekker olje	Slitt o-ring i kroppen på hurtigkobling hann <b>9</b>	Skift ut o-ring og støttering i hurtigkobling <b>9</b>	19

Alle **uthevede** tall henviser til Generell montering og Deleliste på side 18, 19 og 20.

\* Servicesett på side 13.

## 9. EU-SAMSVARERKLÆRING

Vi, **Stanley Engineered Fastening, Stanley House, Works Road, Letchworth Garden City, Hertfordshire, SG6 1JY UNITED KINGDOM**, erklærer under vårt eget ansvar at produktet:

**Beskrivelse:** **HYDROELEKTRISK VERKTØY**

**Modell:** **AV<sup>®</sup> 5 STRUCTURAL TOOL – 73425–02000**

som denne erklæringen angår, er i samsvar med følgende standarder:

ISO 12100:2010	EN ISO 3744:2010
EN ISO 11202:2010	EN ISO 11148-1:2011
EN ISO 4413:2010	EN ISO 20643:2008+A1:2012
EN ISO 4414:2010	ES100118-rev 17:2017
EN ISO 28927-5:2009+A1:2015	

Den tekniske dokumentasjonen er utformet i samsvar med vedlegg 1, avsnitt 1.7.4.1, i henhold til følgende direktiv: **2006/42/EC Maskineridirektivet** (Statutory Instruments 2008 Nr. 1597 – The Supply of Machinery (Safety) Regulations).

Undertegnede erklærer dette på vegne av STANLEY Engineered Fastening



**A. K. Seewraj**

**Director of Engineering, UK**

Avdel UK Limited, Stanley House, Works Road, Letchworth Garden City, Hertfordshire, SG6 1JY UNITED KINGDOM

**Utgivelsessted:** **Letchworth Garden City, UK**

**Utgivelsesdato:** **24-08-2021**

Undertegnede er ansvarlig for sammenstilling av den tekniske dokumentasjonen for produkter som selges i EU/EØS og avgir denne erklæringen på vegne av Stanley Engineered Fastening.

**Matthias Appel**

**Team Leader Technical Documentation**

Stanley Engineered Fastening, Tucker GmbH, Max-Eyth-Str.1, 35394 Gießen, Tyskland



**Dette utstyret er i samsvar med  
Maskindirektivet 2006/42/EU**

**STANLEY**  
Engineered Fastening

## 10. SAMSVARERKLÆRING (UK)

Vi, **Stanley Engineered Fastening, Stanley House, Works Road, Letchworth Garden City, Hertfordshire, SG6 1JY UNITED KINGDOM**, erklærer under vårt eget ansvar at produktet:

**Beskrivelse:** **HYDROELEKTRISK VERKTØY**

**Modell:** **AV<sup>®</sup> 5 STRUCTURAL TOOL – 73425–02000**

som denne erklæringen angår, er i samsvar med følgende standarder:

ISO 12100:2010	EN ISO 3744:2010
EN ISO 11202:2010	EN ISO 11148-1:2011
EN ISO 4413:2010	EN ISO 20643:2008+A1:2012
EN ISO 4414:2010	ES100118-rev 17:2017
EN ISO 28927-5:2009+A1:2015	

Den tekniske dokumentasjonen er utformet i samsvar med Maskindirektivet (sikkerhet) 2008, S.I. 2008/1597 (med tillegg).

Undertegnede erklærer dette på vegne av STANLEY Engineered Fastening



**A. K. Seewraj**

**Director of Engineering, UK**

Avdel UK Limited, Stanley House, Works Road, Letchworth Garden City, Hertfordshire, SG6 1JY UNITED KINGDOM

**Utgivelsessted:** **Letchworth Garden City, UK**

**Utgivelsesdato:** **24-08-2021**



Dette utstyret er i samsvar med  
Maskindirektivet (sikkerhet) 2008,  
S.I. 2008/1597 (med tillegg)

## 11. BESKYTT INVESTERINGEN DIN!

### **Stanley® Engineered Fastening GARANTI FOR POPNAGLEVERKTØY**

STANLEY® Engineered Fastening garanterer at alle verktøy er nøyaktig produsert og er frie for defekter som skyldes materiale eller produksjonsarbeid, ved normal bruk og vedlikehold i en periode på ett (1) år.

Denne garantien gjelder kun for den opprinnelige kjøperen av verktøyet.

#### **Unntak:**

##### **Normal bruksslitasje.**

Periodisk vedlikehold, reparasjon og skifte av reservedeler på grunn av normal slitasje, dekkes ikke av garantien.

##### **Feilbruk og misbruk.**

Defekter eller skader som skyldes feilaktig bruk, feilaktig lagring, misbruk, uhell eller forsømmelse så som fysiske skader, dekkes ikke av garantien.

##### **Uautorisert vedlikehold og endringer.**

Defekter eller skader som skyldes service, testing, justering, installasjon, vedlikehold, endringer eller modifikasjoner på noen som helst måte av andre enn STANLEY® Engineered Fastening, eller et autorisert servicesenter, dekkes ikke av garantien.

Alle andre garantier, enten uttalte eller implisitte, inkludert garanti for salgbarhet eller egnethet for et spesielt formål, er herved ekskludert.

Dersom dette verktøyet svikter i garantiperioden, send det straks til ditt nærmeste autoriserte servicesenter. For en liste av STANLEY® Engineered Fastening autoriserte servicesentere i USA eller Canada, kontakt oss på gratis telefon (877)364 2781.

Utenfor USA og Canada, se vår nettside **[www.StanleyEngineeredFastening.com](http://www.StanleyEngineeredFastening.com)** for å finne din nærmeste STANLEY Engineered Fastening-representant.

STANLEY Engineered Fastening vil så skifte ut, uten noen kostnad, en del eller deler som vi finner å være defekt på grunn av feil ved materiale eller produksjon, og returnerer verktøyet uten kostnad. Dette er vår eneste forpliktelse under denne garantien.

Under ingen omstendighet skal STANLEY Engineered Fastening være ansvarlig for andre følgeskader eller spesielle skader som følger av kjøp eller bruk av dette verktøyet.

#### **Registrer ditt popnagleverktøy online.**

For å registrere garantien online, besøk oss på

<https://www.stanleyengineeredfastening.com/support/warranty-registration-form>

Takk for at du valgte et verktøy av merket STANLEY® Engineered Fastening's Stanley Assembly Technologies.

©2021 av STANLEY Black & Decker  
Alla rättigheter förbehållna.

Informationen som tillhandahålls får inte på reproduceras och/eller göras offentlig på något sätt eller med några metoder (elektroniskt eller mekaniskt) utan exklusivt skriftligt tillstånd dessförinnan från STANLEY Engineered Fastening. Informationen som tillhandahålls baseras på data som är kända vid tidpunkten för introduktionen av denna produkt. STANLEY Engineered Fastening har en policy med kontinuerliga produktförbättringar och produkterna kan därför förändras. Informationen som är tillämplig för produkten tillhandahålls av STANLEY Engineered Fastening. Därför kan inte STANLEY Engineered Fastening hållas ansvariga för skador som uppstår som följd av ändringar från originalspecifikationerna för produkten.





Den tillgängliga informationen har sammansatts med yttersta noggrannhet. Emellertid påtar sig inte STANLEY Engineered Fastening något ansvar beträffande fel i informationen eller för konsekvenser därav. STANLEY Engineered Fastening påtar sig inget ansvar för skador som uppstår från aktiviteter som utförs av tredje part. Arbetsnamnen, varumärkesnamnen, registrerade varumärken etc. som används STANLEY Engineered Fastening skall inte betraktas som fria utan används i enlighet med lagstiftningen som gäller för skydd av varumärken.

## INNEHÅLL

<b>1. SÄKERHETSDEFINITIONER .....</b>	<b>3</b>
1.1 ALLMÄNNA SÄKERHETSFÖRESKRIFTER.....	3
1.2 PROJEKTILRISKER .....	3
1.3 DRIFTRISKER.....	4
1.4 RISKER VID REPETITIVA RÖRELSER .....	4
1.5 TILLBEHÖRSRISKER.....	4
1.6 RISKER PÅ ARBETSPLATSEN .....	4
1.7 BULLERRISKER.....	5
1.8 VIBRATIONSRIKSKER .....	5
1.9 YTTERLIGARE SÄKERHETSINSTRUKTIONER FÖR HYDRAULISKA ELVERKTYG .....	5
<b>2. SPECIFIKATIONER.....</b>	<b>6</b>
2.1 AVSEDD ANVÄNDNING .....	6
2.2 VERTYGSSPECIFIKATION.....	6
2.3 VERKTYGSMÅTT .....	7
<b>3. IDRIFTTAGNING .....</b>	<b>8</b>
3.1 DRIFT .....	8
3.2 FÖRBEREDELSE FÖR ANVÄNDNING .....	9
<b>4. BRUKSANVISNING .....</b>	<b>10</b>
4.1 INSTALLATION AV AVBOLT®-FÄSTELEMENT .....	10
4.2 INSTALLATION AV AVDELOK®-FÄSTELEMENT .....	10
4.3 INSTALLATION AV NEOBOLT®-FÄSTELEMENT .....	11

<b>5. SERVICE AV VERKTYGET .....</b>	<b>12</b>
5.1 DAGLIG SERVICE.....	12
5.2 VECKOSERVICE.....	12
5.3 ÅRLIG SERVICE / EFTER VARJE 250 000 ANVÄNDNINGAR.....	12
5.4 SERVICEKIT .....	12
5.5 SERVICEVERKTYG.....	12
5.6 HYDRAULOLJA.....	13
5.7 DEMONTERINGSANVISNINGAR.....	13
5.8 SKYDDA MILJÖN .....	16
<b>6. ALLMÄN MONTERING OCH DELLISTA.....</b>	<b>17</b>
6.1 ALLMÄN MONTERING.....	17
6.2 DELLISTA .....	19
<b>7. SÄKERHETSDATA .....</b>	<b>20</b>
7.1 Enerpac® HF HYDRAULOLJA – SÄKERHETSDATA.....	20
7.2 MOLYLITHIUM FETT EP 3753 – SÄKERHETSDATA .....	20
7.3 Molykote® 111 FETT – SÄKERHETSDATA.....	21
<b>8. FELSÖKNING .....</b>	<b>22</b>
<b>9. EU-FÖRSÄKRAN OM ÖVERENSSTÄMMELSE.....</b>	<b>24</b>
<b>10. SV DEKLARATION OM ÖVERENSSTÄMMELSE .....</b>	<b>25</b>
<b>11. SKYDDA DIN INVESTERING!.....</b>	<b>26</b>



	Denna bruksanvisning måste läsas av alla personer som installerar eller använder detta verktyg, med särskild uppmärksamhet på följande säkerhetsvarningar och instruktioner.
	Använd alltid slagtåligt ögonskydd under drift av verktyget. Den skyddsgrad som krävs bör bedömas för varje användning.
	Användning av verktyget kan utsätta operatörens händer för faror, inklusive krossning, stötar, skärsår och skador och värme. Använd lämpliga handskar för att skydda händerna.
	Använd hörselskydd i enlighet med arbetsgivarens anvisningar och enligt kraven i arbetsmiljöreglerna.

## 1. SÄKERHETSDEFINITIONER

Nedanstående definitioner beskriver allvarlighetsgrad för varje signalord. Läs igenom manualen och uppmärksamma dessa symboler.



**FARA:** Indikerar en omedelbart farlig situation som, om den inte undviks, kommer att resultera i dödsfall eller allvarlig personskada.



**VARNING:** Indikerar en potentiellt farlig situation som, om den inte undviks, skulle kunna resultera i dödsfall eller allvarlig personskada.



**FÖRSIKTIGHET:** Indikerar en potentiellt farlig situation som, om den inte undviks kan resultera i mindre eller medelmåttig personskada.



**FÖRSIKTIGHET:** Användande utan säkerhetslarmsymbolen indikerar en potentiellt farlig situation som, om den inte undviks, kan resultera i materiella skador.

**Felaktig hantering eller underhåll av denna produkt kan resultera i allvarliga person- eller egendomsskador. Läs igenom och förstå alla varningar och driftinstruktioner innan denna utrustning används. Vid användning av elverktyg måste de grundläggande försiktighetsåtgärderna alltid följas för att minska risken för personskador.**

### SPARA ALLA VARNINGAR OCH INSTRUKTIONER FÖR FRAMTIDA REFERENS.

#### 1.1 ALLMÄNNA SÄKERHETSFÖRESKRIFTER

- För flera faror, läs och förstå säkerhetsinstruktionerna innan du installerar, använder, reparerar, underhåller, byter tillbehör på eller arbetar nära verktyget. Om du inte gör det kan det leda till allvarlig kroppsskada.
- Endast kvalificerade och utbildade operatörer får installera, justera eller använda verktyget.
- Använd INTE för andra ändamål än den avsedda installationen STANLEY Engineered Fastening blindnitar.
- Använd endast delar, fästelement och tillbehör som rekommenderas av tillverkaren.
- Ändra INTE verktyget. Ändringar kan minska effektiviteten för säkerhetsåtgärder och öka riskerna för operatören. Alla modifieringar av verktyget som utförs av kunden är kundens ansvar och kommer att göra alla tillämpliga garantier ogiltiga.
- Släng inte säkerhetsinstruktionerna utan ge dem till operatören.
- Använd inte verktyget om det är skadat.
- Före användning, kontrollera felinställningar eller om rörliga delar har fastnat, bristning hos delar och andra eventuella förhållanden som kan komma att påverka verktygets funktion. Om det är skadat, se till att verktyget blir reparerat före användning. Ta bort inställningsnycklar eller skiftnycklar före användning.
- Verktyg ska inspekteras regelbundet för att verifiera att de värden och markeringar som krävs enligt denna del av ISO 11148 är läsligt utmärkta på verktyget. Arbetsgivaren/användaren ska kontakta tillverkaren för att få ersättningsmärkningsetiketter vid behov.
- Verktyget måste underhållas för att alltid vara driftsäkert och skall regelbundet kontrolleras om det finns skador och att det fungerar korrekt av utbildad personal. All demontering skall endast göras av utbildad personal. Demontera inte detta verktyg utan att först kontrollera underhållsinstruktionerna.

#### 1.2 PROJEKTILRISKER

- Koppla bort verktyget från hydraulpumpen innan något underhåll eller några inställningar utförs, som t.ex. fastsättning eller borttagning av munstycke eller tillbehör.
- Tänk på att fel på arbetsstycket eller tillbehören, eller till och med det insatta verktyget självt kan generera projektiler med hög hastighet.

- Använd alltid slagtäligt ögonskydd under drift av verktyget. Den skyddsgrad som krävs bör bedömas för varje användning.
- Riskerna för andra bör också bedömas vid denna tidpunkt.
- Se till att arbetsstycket är ordentligt fastsatt.
- Kontrollera att skyddsanordningarna mot utskjutning av fästelement och/eller splintar är på plats och fungerar.
- Varna för eventuell utskjutning av splintar från verktygets framsida.
- Använd INTE ett verktyg som är riktad mot någon person (några personer).

### 1.3 DRIFTRISKER

- Användning av verktyget kan utsätta operatörens händer för faror, inklusive krossning, stötar, skärsår och skador och värme. Använd lämpliga handskar för att skydda händerna.
- Operatörer och underhållspersonal ska fysiskt kunna hantera verktygets bulk, vikt och kraft.
- Håll verktyget korrekt, var redo att motverka normala eller plötsliga rörelser och ha båda händerna tillgängliga.
- Se till att handtagen är torra, rena och fria från olja och fett.
- Behåll en balanserad kroppsposition och stå stadigt när du använder verktyget.
- Släpp start-och-stopp-enheten vid störning av hydraulkällan.
- Använd endast smörjmedel som rekommenderas av tillverkaren.
- Kontakt med hydraulisk vätska skall undvikas. För att minimera risken för utslag skall huden sköljas noga om kontakt uppstår.
- Datablad om materialsäkerhet för alla hydrauliska oljor och smörjmedel finns tillgängligt på begäran från din verktygsleverantör.
- Undvik olämpliga ställningar eftersom det är troligt att dessa positioner inte tillåter motverkande av normal eller oväntad rörelse av verktyget.
- Om verktyget är fastsatt på en upphängningsanordning, se till att fastsättningen är säker.
- Se upp för risken för krossning eller klämning om munstycksutrustning inte är monterad.
- Använd INTE verktyget med höljet borttaget.
- Det måste finnas tillräckligt med utrymme för operatörens händer innan du går vidare.
- När verktyget bärs från en plats till en annan skall alltid händerna placeras undan från avtryckare för att undvika oavsiktligt aktivering.
- Missbruka INTE verktyget genom att låta det falla ned eller använda det som hammare.
- Försiktighetsåtgärder ska vidtas för att se till att förbrukade splintar inte utgör någon fara.

### 1.4 RISKER VID REPETITIVA RÖRELSE

- Vid användning av verktyget kan operatören uppleva obehag i händer, armar, axlar, nacke eller andra delar av kroppen.
- Vid användning av verktyget bör operatören anta en bekväm hållning och samtidigt stå stadigt för att undvika besvärliga eller obalanserade positioner. Operatören bör byta hållning under längre arbetsuppgifter; detta kan hjälpa till att undvika obehag och trötthet.
- Om operatören upplever symtom som ihållande eller återkommande obehag, smärta, pulserande känsla, värkande, stickningar, domningar, brännande känsla eller stelhet, bör dessa varningstecken inte ignoreras. Operatören ska berätta för arbetsgivaren och rådfråga kvalificerad vårdpersonal.

### 1.5 TILLBEHÖRSRISKER

- Koppla bort verktyget från hydraulisk och elektrisk matning innan montering eller avlägsnande av munstycksanordningen eller tillbehöret.
- Använd endast storlekar och typer av tillbehör och förbrukningsartiklar som rekommenderas av tillverkaren av verktyget; använd inte andra typer eller storlekar av tillbehör eller förbrukningsartiklar.

### 1.6 RISKER PÅ ARBETSPLATSEN

- De vanligaste orsakerna till arbetsplatsskador är halkning, snubbling och fall. Var medveten om hala ytor orsakade av användning av verktyget och även för risker för att snubbla som orsakas av luftledningen eller hydraulslangen.
- Rör dig med försiktighet i okända omgivningar. Det kan finnas dolda faror, till exempel el- eller andra ledningar.
- Verktyget är inte avsett för användning i potentiellt explosiva atmosfärer och är inte isolerat mot kontakt med elkraft.
- Se till att det inte finns några elektriska kablar, gasrör etc. som kan orsaka risk om de skadas av verktyget.
- Klä dig lämpligt. Bär inte lösa kläder eller smycken. Håll hår, kläder och handskar borta från delar i rörelse. Lösa kläder, smycken eller långt hår kan fastna i delar i rörelse.
- Försiktighetsåtgärder ska vidtas för att se till att förbrukade splintar inte utgör någon fara.

### 1.7 BULLERRISKER

- Exponering för höga ljudnivåer kan orsaka permanenta, inaktiverande hörselnedsättning och andra problem, till exempel tinnitus (ringar, surrar, visslar eller piper i öronen). Därför är riskbedömning och genomförande av lämpliga kontroller för dessa faror nödvändiga.
- Lämpliga kontroller för att minska risken kan inkludera åtgärder som dämpning av material för att förhindra att arbetsstycken "ringer".
- Använd hörselskydd i enlighet med arbetsgivarens anvisningar och enligt kraven i arbetsmiljöreglerna.
- Använd och underhåll verktyget enligt rekommendationen i bruksanvisningen, för att förhindra onödig ökning i ljudnivån.

### 1.8 VIBRATIONSRIKER

- Exponering för vibrationer kan orsaka skador på nerver och blodtillförsel i händer och armar.
- Använd varma kläder när du arbetar under kalla förhållanden och håll händerna varma och torra.
- Om du får domningar, stickningar, smärta eller blekning av huden i fingrar eller händer, sluta använda verktyget, berätta för din arbetsgivare och kontakta en läkare.
- Om möjligt, stöd vikten av verktyget i stativ, sträckare eller balans, eftersom ett lättare grepp då kan användas för att stödja verktyget.

### 1.9 YTTERLIGARE SÄKERHETSINSTRUKTIONER FÖR HYDRAULISKA ELVERKTYG

- Driftluftförsörjningen får inte överstiga 550 bar (8000 PSI).
- Olja under tryck kan orsaka allvarliga skador.
- Montera inte flexibla hydraulslangar med ett arbetstryck på mindre än 700 bar (10 000 PSI) vid en flödes hastighet på 2,73 l/min (200 på 3 min).
- Lämna ett verktyg utan tillsyn. Koppla bort hydraulslangen och den elektriska kabeln från pumpenheten när verktyget inte används, innan du byter tillbehör eller vid reparationer.
- Vippande slangar kan orsaka allvarliga skador. Kontrollera alltid om det finns skadade eller lösa slangar och fästen.
- Före användning, inspektera hydraulslangarna för skador, alla hydrauliska anslutningar måste vara rena, helt inkopplade och täta före användning. Låt inga tunga föremål falla ned på slangarna. Ett hårt slag kan leda till inre skador och leda till att slangen går sönder i förtid.
- När universella vridkopplingar (kloppkopplingar) används, ska låspinnar installeras och säkerhetsvagnar för whipcheck användas för att skydda mot eventuellt slanganslutningsfel.
- Lyft INTE verktyget i slangen eller i elkabeln. Använd alltid verktygets handtag.
- Dra eller flytta INTE den hydrauliska pumpenheten med slangarna. Använd alltid pumpenhetens handtag eller rullbur.
- Håll smuts och främmande föremål undan från det hydrauliska systemet eftersom verktyget kan få funktionsfel.
- Använd endast ren olja och påfyllningsutrustning.
- Endast rekommenderade hydraulvätskor får användas.
- Kraftaggregat kräver ett fritt flöde av luft för kylningsändamål och ska därför placeras i ett väl ventilerat område utan farliga ångor.
- Hydraulvätskans maximala temperatur vid inloppet är 110 °C (230 °F).

**STANLEY Engineered Fastening policy strävar mot kontinuerlig produktutveckling och vi förbehåller oss rätten att ändra specifikationen för någon produkt utan vidare meddelande.**

## 2. SPECIFIKATIONER

### 2.1 AVSEDD ANVÄNDNING

AV®5 installationsverktyg är huvudsakligen en kolv- och cylinderanordning. När det är kopplat hydrauliskt och elektriskt till en kompatibel hydraulisk kraftkälla och den lämpliga munstycksanordningen är ansluten kan den användas för att placera 3/8-tums Avdelok®, 3/8-tums NeoBolt®, 5/16-tums Avbolt® och Ø16 mm Avseal® fästelement i industriella miljöer.

Appliceringsverktyget och den hydrauliska pumpenheten får endast användas i enlighet med bruksanvisningen för att placera Stanley Engineered Fastening strukturnitar.

Se tabellen nedan för en lista över tillämpliga fästelement och tillhörande munstycksutrustning.

Se datablad som anges i tabellen för de relevanta instruktionerna för munstycksmontering.

Använd **INTE** under våta förhållanden eller i närheten av lättantändliga vätskor eller gaser.

FÄSTELEMENT		MUNSTYCKSMONTERING			DATABLAD FÖR MUNSTYCKSMON- TERING
TYP	STORLEK	ARTIKELNUMMER	MÅTT "A"	MÅTT "B"	ARTIKELNUMMER
AVBOLT®	1/4"	07220-07500	70 mm	19 mm	07900-00905
	5/16"	07220-07700	100 mm	27 mm	07900-00905
AVDELOK®	5/16"	07220-05600	130 mm	27 mm	
	3/8"	07220-02000	100 mm	27 mm	
AVSEAL® II	16 mm	07220-06800	100 mm	27 mm	07900-00840
AVTAINER®	3/8" *	71230-15600	130 mm	23 mm	
MONOBOLT®	1/4" *	71230-15800	130 mm	27 mm	
	3/8"	07220-07200	110 mm	27 mm	
NEOBOLT®	5/16"	73200-05000	100 mm	27 mm	07900-01071
	3/8"	73200-05100	100 mm	27 mm	07900-01071

Noteringar:

Längdmått avrundade.

\*Det är ett krav att montera adaptorns artikelnummer 07267-00800 för att passa denna munstycksmontering.

\*Munstycksmontering med kåftfrigöring.

Se illustrationen på sidan 8 för identifiering av nosmonteringsmått "A" och "B".

Säkerhetsinstruktionerna måste alltid följas.

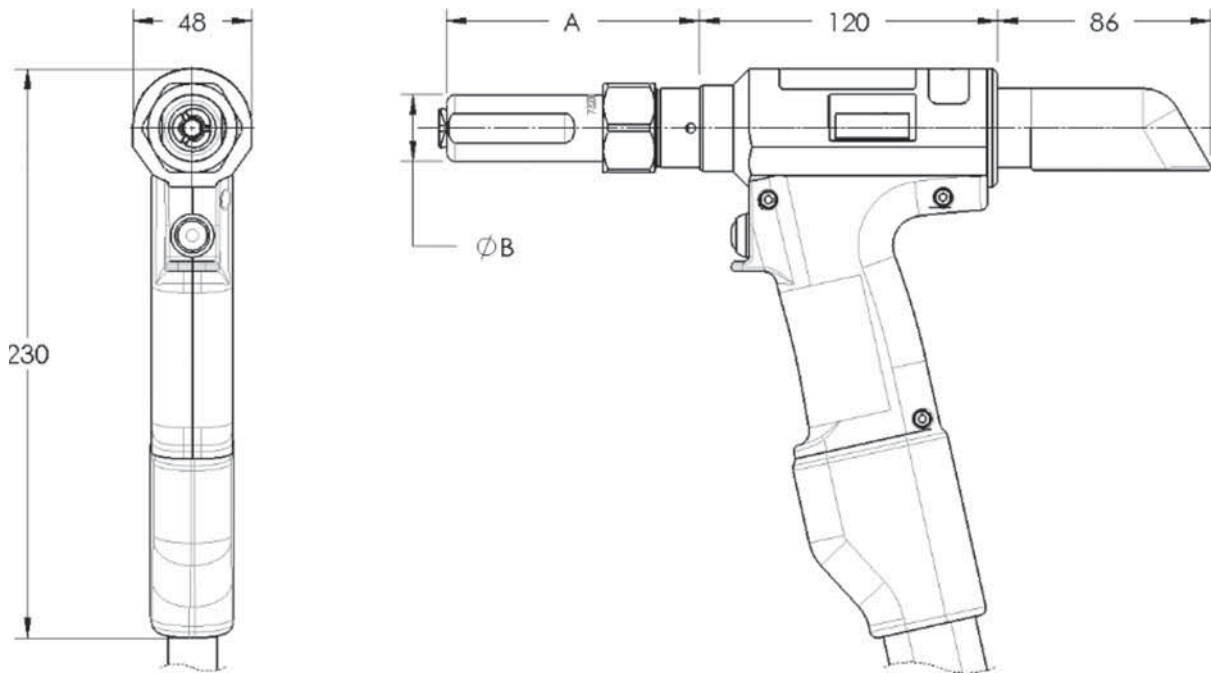
### 2.2 VERTYGSSPECIFIKATION

SPECIFIKATIONER		METRISK	IMPERISK
Force:	Drag vid angiven dragkraft	36,0 kN	8992,4 lbf
	Tryck av vid angivet returtryck	17,5 kN	3934,1 lbf
Tryck:	Dra	510 bar	7396,9 lbf/in <sup>2</sup>
	Retur	200 bar	2900,7 lbf/in <sup>2</sup>
Slaglängd:	Minimikolvlängd	30,0mm	1.18 in
Vikt:	Med nosutrustning och slang	2,9 kg	6,4 lb
Hydraulolja:	Enerpac hydraulolja – HF-95X	-	-
	Stamutstötning		baktill.
	Tätningssarrangemang	Twin Lip & Wiper-tätningar	
Ytterligare funktioner:	Hydrauliska lagerringar	Ja – fram och bak	
	Skyddshandtag / slanggator		Ja
	Skyddsslangskydd		Ja
	Slang / slangklämmor		Ja

Bullervärden i enlighet med bullertestkod ISO 15744 och ISO 3744.		AV5
A-vägd ljudeffektnivå dB(A), LWA	Osäkerhet buller: kWA = 3,0 dB(A)	86,9 dB(A)
A-viktad utsläppsljudnivå vid arbetsstationen dB(A), LpA	Osäkerhet buller: kPa = 3,0 dB(A)	75,9 dB(A)
C-viktad topputsläpp ljudtrycksnivå dB(C), LpC, topp	Osäkerhet buller: kpC = 3,0 dB(C)	81,1 dB(C)

Bullervärden i enlighet med bullertestkod ISO 20643 och ISO 5349		AV5
Vibrationsemissionsnivå, ahd:	Osäkerhet vibration: k = 1,34 m/s <sup>2</sup>	2,69 m/s <sup>2</sup>
Deklarerade vibrationsemissionsvärden i enlighet med EN 12096		

### 2.3 VERKTYGSMÅTT



Alla mått visas i millimeter. Illustrationen visas med 3/8-tums NeoBolt® munstycksmontering. Verktygets utseende varierar med olika munstycksmonteringar.

Se illustrationen på sidan 7 för identifiering av munstycksmonteringsmått "A" och "B".

Verktyget är utrustat med två hydraulslangar och en elektrisk styrkabel, 0,6 m lång. Ytterligare hydraulslangar och kabelförlängningslängder finns att beställa separat efter behov. Se tabellen nedan för en lista över slanglängder och tillhörande artikelnummer.

HYDRAULSLANGSENHET	
ARTIKELNUMMER	SLANGENS LÄNGD
07008-00448	5 meter
07008-00449	10 meter
07008-00450	15 meter

## 3. IDRIFTTAGNING

### 3.1 DRIFT

**VIKTIGT – LÄS BÅDE SÄKERHETSINSTRUKTIONERNA PÅ SIDORNA 4-6 OCH PUMPENHETSINSTRUKTIONSHANDBOKEN NOGA INNAN IDRIFTTAGNING.**

När både slangar och styrkabel är anslutna till Avdel®/ Enerpac® hydraulisk pump kontrolleras drag- och returcyklerna av avtryckaren som är placerad i handtaget och som trycks in och släpps.

När omkopplaren är nedtryckt spänns magnetventilen, placerad i den hydrauliska pumpenheten, och leder trycksatt oljeflöde till kolvens dragkantsida i appliceringsverktyget. Detta gör att oljan i appliceringsverktygets återgångssida återgår till behållaren.

Under dragcyklerna rör sig kolven/spännaggregatet mot verktygets baksida, vilket gör att kudden av o-ringstyp kan trycka följaren och käftarna framåt. Om ett fäststift har satts in i munstycksmonteringen kommer käftsetet att klämma fast på nålen och enheten kommer att starta.

För Avbolt® och Avdelok® kommer installationscykeln först att klämma fast fogen som ska fästas och sedan när städet fortsätter att gå framåt kommer kragen att svängas in i låsspåren på stiftet. I slutet av svängningscykeln kommer städet att komma upp mot fogen och när rörelsen fortsätter kommer nålen att brytas av.

Avtryckaren ska släppas omedelbart efter det att stiftet bryts. Släppning av avtryckaren leder till att magnetventilen släpper energin och vänder flödet av trycksatt olja.

Om avtryckaren inte släpps fortsätter kolven att röra sig mot verktygets baksida tills den når slutet av sitt slag. Trycket i dragsidan kommer då att öka tills ett förinställt "högt tryck"-värde uppnås vid pumpen. Vid denna tidpunkt stänger magnetventilen automatiskt av energin och vänder flödet av trycksatt olja till retursidan av appliceringsverktyget.

I båda fallen kommer trycksatt olja nu att strömma in i retursidan av appliceringsverktyget, med oljan i dragsidan tillbaka till behållaren.

Kolvens/spännaggregatets framåtrörelse kommer att mata ut det installerade fästelementet från städet.

Vid tidpunkten för att frigöra avtryckaren eller när värdet "Högt tryck" uppnås kommer magnetventilen att slås ur och aktivera en förinställd "Returtimer". Detta styr tiden för att pumpmotorn ska fortsätta köras innan den växlar till viloläge. Timern kan ställas in manuellt mellan 5 och 20 sekunder för att säkerställa att appliceringsverktygets kolv alltid återgår till framläget (se pumpens bruksanvisning 07900-01030, sida 10 och 13).

När kolven återgår till helt framåtläge ökar trycket till förinställt lågt tryckvärde – c200 bar. Pumpmotorn fortsätter att gå tills returtimern har gått ut. Efter denna tidsperiod stannar motorn automatiskt och ventilen växlar till tomgångsläge. Magnetventilen cyklar sedan automatiskt för att släppa trycksatt olja till behållaren från både drag- och retursidan av appliceringsverktyget.

Detta håller installationsverktyget i framåtriktad position. Inget tryck kommer att finnas i det hydrauliska systemet vid denna punkt.

Den hydrauliska pumpenheten startar automatiskt vid nedtryckning av verktygsavtryckaren.

### 3.2 FÖRBEREDELSE FÖR ANVÄNDNING

**FÖRSIKTIGHET – RÄTT DRAG- OCH RETURTRYCK ÄR VIKTIGT FÖR KORREKT FUNKTION AV FÄSTVERKTYGET. PERSONSKADOR ELLER SKADOR PÅ UTRUSTNINGEN KAN UPPSTÅ VID FEL TRYCK. DRAG- OCH RETURTRYCKET SOM TILLHANDAHÅLLS AV DEN HYDRAULISKA PUMPHETEN FÅR INTE ÖVERSTIGA DE TRYCK SOM ANGES I SPECIFIKATIONEN FÖR APPLICERINGSVERKTYGET.**

**VIKTIGT – INNAN DU SÄTTER APPLICERINGSVERKTYGET OCH HYDRAULSLANGEN I DRIFT:**

**SE TILL ATT PUMPENS TRYCKAVLASTNINGSVENTILER HAR STÄLLTS IN I ENLIGHET MED PUMPINSTRUKTIONERNA OCH MAXIMALT TRYCK SOM ANGES FÖR APPLICERINGSVERKTYGET OCH SLANGARNA.**

**SE TILL ATT SLANGPAKETET ÄR GRUNDAT MED HYDRAULVÄTSKA ENLIGT PROCEDURER I PUMPENS BRUKSANVISNING 07900-01030.**

- Se till att nätspänningen till den hydrauliska pumpen är avstängd.
- Anslut snabbkopplingarna för appliceringsverktygets hydraulslang direkt till pumpenheten innan du ansluter den elektriska styrkabeln. Slangar och styrkabel måste anslutas i denna ordning och kopplas bort i omvänd ordning.
- Slå på nätspänningen till den hydrauliska pumpenheten. Vänta i 5 sekunder för att pumpen ska slutföra startsekvensen innan du trycker på avtryckaren. När allt inställt kommer LCD-skärmen på pumpen att visa "AVDEL".
- Under startsekvensen identifierar pumpkontrollsystemet alla utlösningsoptioner som potentiellt funktionsfel och förhindrar att motorn startar. LCD-skärmen visar "BUTTON FAULT" i det här fallet. Återställ genom att stänga av strömförsörjningen i 10 sekunder.
- Se till att appliceringsverktyget är placerat under pumpbehållartankarna. Tryck ner och släpp ut avtryckaren för appliceringsverktyget några gånger till nästan hela slaget på verktyget för att cirkulera hydraulvätska och trycka ut all luft från verktyget.
- Observera hur verktyget agerar. Kontrollera för vätskeläckage och se till att kolven är i framåtriktat läge i tomgångsläge. Appliceringsverktyget kommer nu att grundas.
- Stäng av nätspänningen till den hydrauliska pumpenheten och koppla sedan bort appliceringsverktyget från pumpen i omvänd ordning till det som beskrivs ovan.
- Anslut nu appliceringsverktyget till den grundade hydraulslangsatsen och den elektriska med den elektriska styrkabeln. Anslut sedan snabbkopplare av hydraulslangsats och den elektriska styrkabeln till pumpenheten.
- Ta bort munstycksmonteringen till verktyget enligt anvisningarna i relevant datablad för munstycksmontering.
- Slå på nätspänningen till den hydrauliska pumpenheten såsom beskrivs ovan.
- Tryck ner och släpp ut avtryckaren för appliceringsverktyget några gånger till nästan hela slaget på verktyget för att cirkulera hydraulvätska och trycka ut all luft från verktyget.
- Nu är appliceringsverktyget klart att användas.



## 4. BRUKSANVISNING

### 4.1 INSTALLATION AV AVBOLT®-FÄSTELEMENT

För ytterligare information om detta fästelement, se munstycksmonteringens datablad enligt tabellen i avsnitt 7. Informationen nedan är för vägledning.

- Kontrollera arbetet och ta bort alltför stort gap. (Gapet är utrymmet mellan komponenterna i fogen. Gapet är för stort om inte tillräckligt med nål sticker genom kragen för att munstycksmonteringskäftarna ska greppa).
- Sätt Avbolt-fästelementet i hålet.
- Tryck munstycksmonteringen på stiftet tills munstycksmonteringens städ stoppar mot kragen. Verktygs- och munstycksmonteringen måste hållas i vinkel (90°) mot arbetet.
- Tryck ner verktygsavtryckaren för att starta installationscykeln.
- När rörelsen för munstycksmonteringens städ stoppar och nålen bryts av, släpp avtryckaren. Verktyget går in i sitt returslag och skjuter av det installerade fästelementet. Vid slutet av returslaget kommer käftarna delvis att frigöra den expanderade nålen som sedan kan skjutas genom käftarna med nästa installation och sedan matas ut genom verktygets baksida.
- När det installerade fästelementet har tagits ut är verktyget och munstycksmonteringen redo för nästa installation.

### 4.2 INSTALLATION AV AVDELOK®-FÄSTELEMENT

För ytterligare information om detta fästelement, se munstycksmonteringens datablad enligt tabellen i avsnitt 7. Informationen nedan är för vägledning.

- Kontrollera arbetet och ta bort alltför stort gap. (Gapet är utrymmet mellan komponenterna i fogen. Gapet är för stort om inte tillräckligt med nål sticker genom kragen för att munstycksmonteringskäftarna ska greppa).
- Sätt Avdelok®-fästelementet i hålet.
- Skjut Avdelok®-kragen över stiftet. (Den avfasade änden av kragen måste vara mot munstycksmonteringen och verktyget.)
- Tryck munstycksmonteringen på stiftet tills munstycksmonteringens städ stoppar mot kragen. Verktygs- och munstycksmonteringen måste hållas i vinkel (90°) mot arbetet.
- Tryck ner verktygsavtryckaren för att starta installationscykeln.
- När rörelsen för munstycksmonteringens städ stoppar och nålen bryts av, släpp avtryckaren. Verktyget går in i sitt returslag och skjuter av det installerade fästelementet. Vid slutet av returslaget kommer käftarna delvis att frigöra den expanderade nålen som sedan kan skjutas genom käftarna med nästa installation och sedan matas ut genom verktygets baksida.
- När det installerade fästelementet har tagits ut är verktyget och munstycksmonteringen redo för nästa installation.

**FÖRSIKTIGHET – FÖRSÖK INTE ATT BRYTA AV EN NÅL UTAN INSTALLATION AV EN KRAGE, EFTERSOM DET KOMMER ATT LEDA TILL ATT DEN OSKYDDADE DELEN AV AVDELOK- ELLER AVBOLT-NÅLEN SKJUTER UT FRÅN NOSEN MED HÖG HASTIGHET OCH KRAFT.**



### 4.3 INSTALLATION AV NEOBOLT®-FÄSTELEMENT

För ytterligare information om detta fästelement, se munstycksmonterings datablad enligt tabellen i avsnitt 7. Informationen nedan är för vägledning.

- Sätt NeoBolt®-nålen i hålet och tryck helt genom fogsikketen.
- Sätt NeoBolt®-kragen över nålen (kragens flänsade ände måste vara närmast arbetsstycket) och vrid medurs för att koppla in kragen på stiftets monteringsgänga med minst ett halvt varv.
- Tryck hylsan helt över stiftens dragnål tills hylsan helt täcker dragspåret på NeoBolt®-stiftet och dragnålen kommer i kontakt med spännstoppet. Appliceringsverktyget måste hållas vinkelrätt (90°) mot arbetsstyckets yta.
- Tryck ner och håll verktygsavtryckaren för att starta installationscykeln. Hylsan tar tag i NeoBolt®-nålen och drar städet upp mot kragen.
- Fortsätt hålla avtryckaren tills kragen är fullständigt svängd och städets framåtrörelse stoppar mot kragflänsen. Appliceringsverktygets kolv och hylsa kommer sedan automatiskt tillbaka för att skjuta städet från den installerade kragen och släppa nålen från hylsan.
- Släpp avtryckaren.
- När det installerade fästelementet har tagits ut ur städet är appliceringsverktyget, munstycksmonteringen och pumpenheten redo för nästa installation.

**FÖRSIKTIGHET – släpp inte avtryckaren förrän driftcykeln för appliceringsverktyget är klar och pumpenheten och verktyget automatiskt har kopplats till returcykeln. Om du släpper avtryckaren före denna punkt kommer det att leda till ett felaktigt placerat och delvis installerat NeoBolt®-fästelement.**

## 5. SERVICE AV VERKTYGET

**VIKTIGT – LÄS SÄKERHETSINSTRUKTIONERNA PÅ SIDORNA 4-6. ARBETSGIVAREN ANSVARAR FÖR ATT INSTRUKTIONER FÖR UNDERHÅLL AV VERKTYG GES TILL LÄMPLIG PERSONAL. OPERATÖREN BÖR INTE VARA INVOLVERAD I UNDERHÅLL ELLER REPARATION AV VERKTYGET OM DENNE INTE ÄR ORDENTLIGT UTBILDAD. VERKTYGET SKA UNDERSÖKAS REGELBUNDET FÖR SKADA OCH FEL.**

### 5.1 DAGLIG SERVICE

- Kontrollera placering av verktyg, slangar och snabbkopplingar för oljeläckage.
- Slitna eller skadade slangar och kopplingar bör bytas ut.
- Kontrollera att slaglängden på verktyget uppfyller specifikationen.
- Kontrollera att ändkåpan är ordentligt och fast monterad på AV®5-kroppen.
- Kontrollera att stamavböjaren är monterad.
- Kontrollera att pumpens drag-/framåtryckavlastningsventil fungerar korrekt.
- Kontrollera att munstycksutrustningen är korrekt för den nit som skall placeras och att den är korrekt placerad.
- Kontrollera för slitna städ som indikeras med slitmärken på den installerade kragen. Detta kan också bekräftas genom att hänvisa till den installerade datan i fästelementkatalogen. Överdrivet slitage kan orsaka att städet brister.

### 5.2 VECKOSERVICE

- Demontera och rengör munstycksmonteringen, speciellt käftarna/hylsan som beskrivs i det aktuella databladet för munstycksmontering.
- Kontrollera för oljeläckage i appliceringsverktyget, slangar och snabbkopplingar.

**VARNING – använd aldrig lösningsmedel eller andra starka kemikalier för rengöring av de delar som inte är av metall. Dessa kemikalier kan försvaga materialet i de här delarna.**

### 5.3 ÅRLIG SERVICE / EFTER VARJE 250 000 ANVÄNDNINGAR

- Årligen eller efter varje 250 000 cykler (beroende på vad som är först) ska verktyget demonteras helt och nya komponenter ska användas där de är slitna, skadade eller som rekommenderas. Alla O-ringar, säkerhetsringar och tätningar ska bytas ut och smörjas med MolyKote® 111-fett före montering.

### 5.4 SERVICEKIT

För en komplett service är följande servicpaket tillgängligt:

SERVICEPAKET: 73425-99990			
ARTIKELNUM-MER	BESKRIVNING	ARTIKELNUM-MER	BESKRIVNING
07005-10118	Snabbkoppling – hane	07900-01103	AV®5 kolvstyrhylsa
07005-10120	Snabbkoppling – hona	07900-01104	AV®5 monteringsverktyg ändkåpa
07900-00043	AV®5 kolvkula – fram AV®5	07992-00020	Fett – MolyLithium EP3753
07900-01101	Kolvkula – bak	07900-00755	Fett – MolyKote 111
07900-01102	AV®5 främre tätning styrstång	07900-00756	Loctite 243 gänglåsning
		07002-00478	M4 X 20 uttag HD kåpskruv

### 5.5 SERVICEVERKTYG

Följande standardverktyg krävs också:

- Insexnyckel: 2,0/3,0 mm
- Platt skruvnyckel med öppen ände: 12 / 14 / 18 / 24 / 45 mm A/F
- PTFE-band: 10mm
- Skruvstäd med käftskydd – 150mm

## 5.6 HYDRAULOLJA

**FÖRSIKTIGHET – Använd endast Enerpac® HF hydraulolja – användning av annan olja kan leda till att appliceringsverktyget och pumpen fungerar felaktigt och kommer att göra garantin för appliceringsverktyget ogiltig.**

Hydraulolja finns att beställa under följande artikelnummer.

HYDRAULOLJA			
ARTIKELNUMMER	07992-00081	07992-00082	07992-00083
Enerpac® artikelnummer	HF-95X	HF-95Y	HF-95T
Volym	1 liter	5 liter	20 liter
Viskositet	32 mm <sup>2</sup> /s	32 mm <sup>2</sup> /s	32 mm <sup>2</sup> /s

## 5.7 DEMONTERINGSANVISNINGAR

**VIKTIGT – SE TILL ATT NÄTSPÄNNINGEN TILL DEN HYDRAULISKA PUMPEN ÄR AVSTÄNGD INNAN MUNSTYCKSMONTERINGEN TAS BORT ELLER APPLICERINGSVERKTYGET DEMONTERAS.**

### Innan demontering:

- Koppla bort snabbkopplingarna **9** och **10** och den elektriska styrkabeln **14** mellan appliceringsverktyget och hydraulslangenheten.
- Ta bort munstycksmonteringen från appliceringsverktyget enligt anvisningarna i databladet för munstycksmontering.
- De potentiellt farliga ämnen som kan ha deponerats på maskinen som ett resultat av arbetsprocesser måste tas bort innan underhåll.

För en komplett service av verktyget rekommenderar vi att du fortsätter med att demontera verktyget i den ordning som visas på sidorna **14** till **17**. Efter demontering av verktyget rekommenderar vi att du byter ut alla tätningar.

### Kolvhuvudmontering:

- Lossa deflektorn **3**, från ändkåpan **15**.
- Kläm fast verktygshandtaget i ett skruvstöd med mjuka käftar så att verktyget pekar med nosen nedåt. Sätt i låspinnen på \*monteringsverktyget för ändkåpa i de tre hålen på ändkåpan **15**.
- Skruva loss och ta bort ändkåpan **15**, från kroppen **1** med en 45 mm A/F-nyckel.
- Använd en liten platt skruvmejsel och ta bort O-ringen **28** från ändkåpan **15** och kassera.
- Anslut den extra \*snabbkoppling – hane till snabbkoppling – hona **10** på hydraulslang – retur **24**. Detta kommer att frigöra tryck från kolvens retursida **18** och underlätta avlägsnandet av den bakre tätningen **16**. Notera: Hydraulolja kommer att drivas ut från reservkopplingen – hane
- Sätt i tre M4-skrivar i den bakre tätningen **16** och använd dem för att dra dem från kolvens bakre axel **18** och ut ur kroppen **1**.
- Använd en liten platt skruvmejsel eller liknande verktyg och ta bort o-ringen **31** och spiralbackringen **30**, från det yttre spåret på ändkåpan **16** och kassera. När du tar bort tätningarna, se till att inte skada ytan på den bakre tätningen med skruvmejseln.
- Ta bort stångtätningen **29** och torkartätningen **33**, från de inre spåren på den främre tätningen **16**, och kassera. När du tar bort tätningarna, se till att inte skada ytan på den bakre tätningen med skruvmejseln.
- Ta bort den främre lagerringen **32** och kontrollera delen för slitage eller skador. Kassera vid behov.
- Ta appliceringsverktyget från skruvstödet och töm hydrauloljan från verktygets baksida. Ta bort den extra \*snabbkoppling – hane från snabbkoppling – hona **10** på hydraulslang – retur **24**.

Alla siffror i fetstil hänvisar till allmän montering och listan över delar på sidorna 18, 19 och 20.

- \* Servicepaket på sidan 13

- Anslut den extra \*snabbkoppling – hona till snabbkoppling – hane **9** på hydraulslang – dra **25**. Detta kommer att frigöra tryck från kolvens dragsida **18** och underlätta avlägsnandet av kolven. Notera: Hydraulolja kommer att drivas ut från reservkopplingen – hona.
- Skruva på \*kolvkula – fram till framsidan av kolven **18**.
- Placera kroppens **1** nos upp på en bänk. Använd sedan en mjuk trähammare, knacka kolven **18** mot baksidan av kroppen och ut mot baksidan och se till att du inte skadar hålet inne i kroppen.
- Observera att när du tar bort kolven **18**, kommer olja på kolvens **18** dragkant att läcka från fram- och baksidan av kroppen **1**.
- När du tar bort kolven **18** kan den främre tätningen **17** hållas kvar på kolvaxeln. Om detta är fallet, skruva loss \*kolvkula – fram och dra av den främre tätningen från kolven.
- Använd en liten platt skruvmejsel och ta bort kolvtätningen **35** och de båda anti-strängsprutningsringarna **34**, från det yttre spåret på kolven **18**, och kassera. När du tar bort tätningarna, se till att inte skada ytan på kolven med skruvmejseln.
- Om den främre tätningen **17** fortfarande hålls kvar i kroppen **1**. Placera kroppens nos uppe på en bänk och tryck sedan den främre tätningen framifrån tills den är fri från urtaget i kroppen. Den främre tätningen kan sedan tas bort från baksidan av kroppen. Se till att inte skada hålen i kroppen när du gör det.
- Använd en liten platt skruvmejsel och ta bort o-ringen **38** och spiralbackringen **39**, från det yttre spåret på den främre tätningen **17**, och kassera. När du tar bort tätningarna, se till att inte skada ytan på den främre tätningen med skruvmejseln.
- Ta bort stängtätningen **36** och torkartätningen **40**, från de inre spåren på den främre tätningen **17**, och kassera. När du tar bort tätningarna, se till att inte skada ytan på den främre tätningen med skruvmejseln.
- Ta bort den främre lagerringen **37** och kontrollera delen för slitage eller skador. Kassera vid behov.
- Ta bort extra \*snabbkoppling – hona från snabbkoppling – hane **9** från hydraulslang – dra **25**.

**Montera i omvänd ordning som vid demonteringen och observera följande punkter:**

- Rengör alla komponenter innan montering.
- Använd en lätt beläggning av Molykote® 111-fett på alla tätningar, tätningsspår, säkerhetsringar och monteringsverktyg för att underlätta monteringen.
- Skjut o-ringen **38** över den främre tätningen **17** och in i det yttre spåret. Sätt i spiralbackringen **39** i samma spår, framför den installerade o-ringen. Se Allmän montering och reservdelslistan för korrekt orientering av o-ringen och spiralbackringen.
- Tryck på den främre tätningsspejlen **36** i den inre urtagningen i den främre tätningen **17** och installera sedan stängtätningen **36** bakom den främre lagerringen. Installera torkartätningen **40** i det främre urtaget på den främre tätningen. Se Allmän montering för att säkerställa korrekt riktning av stängtätningen och torkartätningen.
- Smörj ytan och framkanten på kroppens **2** hålet i vilket den främre tätningen **17** ska installeras med Molykote® 111-fett.
- Smörj tappen på \*främre tätning styrstång och placera sedan främre tätning **17**, stängtätning **36** med änden först, helt över tappen. Sätt i \*främre tätning styrstång i baksidan av kroppen **1** och skjut sedan den främre tätningen helt in i hålet i kroppen. En rimlig kraft krävs för att sätta in främre tätningen i kroppen, så en press eller skruv kan behöva användas. Ta bort \*främre tätning styrstång medan du kontrollerar att den främre tätningen förblir på plats.
- Smörj tätningsspåret och den största ytterdiametern på kolven **18** med Molykote® 111-fett. Skjut in kolvtätningen **35** över framsidan av den stora kolvdiametern och in i tätningsspåret. Montera två ant-strängsprutningsringar **34** i kolvtätningsspåret, en på vardera sidan av kolvtätningen.
- Skruva på \*kolvkula – fram till framsidan av kolven **18**. Smörj \*kolvkula-, fram, kolvaxel och kolvtätning **35** med Molykote® 111-fett.

Alla siffror i fetstil hänvisar till allmän montering och listan över delar på sidorna 18, 19 och 20.

\* Servicepaket på sidan 13

- Skruva i \*kolvstyrhylsan helt in på baksidan av kroppen **1**. Smörj hålen i både kroppen och \*kolvstyrhylsan med Molykote® 111-fett.
- Anslut den extra \*snabbkoppling – hona till snabbkoppling – hane **9** på hydraulslang – dra **25**. Det möjligt att släppa ut luft från dragsidans kolv **18** vid isättning av kolven.
- Sätt i den monterade kolven **18** i baksidan av kroppen **1** och genom den monterade främre tätningen **17**. Tryck kolven till helt framåt tills den stannar mot främre tätningarna. Hydraulolja kommer att släppas ut från hydraulslangen – dra **25**.
- Ta bort extra \*snabbkoppling – hona från snabbkoppling – hane **9** från hydraulslang – dra **25**. Ta bort \*kolvstyrhylsan från baksidan av kroppen **1**.
- Skjut O-ringen **31** över den främre tätningen **16** och in i det yttre spåret. Sätt i spiralbackringen **30** i samma spår, bakom den installerade o-ringen. Se Allmän montering och reservdelslistan för korrekt orientering av o-ringen och spiralbackringen.
- Tryck på den bakre tätningens ringen **32** i den inre urtagningen i den bakre tätningen **16** och installera sedan stångtätningen **29** bakom den bakre lagerringen. Installera torkartätningen **33** i det bakre urtaget på den främre tätningen. Se Allmän montering för att säkerställa korrekt riktning av stångtätningen och torkartätningen.
- Kläm fast verktygshandtaget i ett skruvstöd med mjuka käftar så att verktyget pekar med nosen nedåt.
- Smörj ytan och framkanten på kroppens **1** hål i vilket den främre tätningen **16** ska installeras med Molykote® 111-fett. Smörj den bakre kolven **18** med Molykote® 111-fett.
- Sätt in \*kolvkula – bak till den bakre kolvens **18** axeln och smörj med Molykote® 111-fett.
- Fyll baksidan av kroppen **1** med Enerpac® HF hydraulolja. Oljenivån ska ligga precis ovanför det bakre inloppshålet i kroppen.
- Anslut den extra \*snabbkoppling – hane till snabbkoppling – hona **10** på hydraulslang – retur **24**. Det gör det möjligt att släppa ut luft från kolvens **18** retursida vid isättning av ändkåpan **16**. Notera: Hydraulolja kommer att drivas ut från reservsnabbkopplingen – hona.
- Placera den bakre tätningen **16** över \*kolvkula – bak. Skjut sedan den bakre tätningen över kolvens **18** axel och in i baksidan på kroppen **1**. Skjut in den bakre tätningen i kroppen tills några inre gängor exponeras på baksidan av kroppen. Var försiktig så att du inte skadar O-ringen **31** och spiralbackringen **30** på gängorna när du sätter i den bakre tätningen.
- Smörj både den inre gängen i kroppen **1** och den yttre gängen på ändkåpan **15** med MolyLithium-fett.
- Skruva in ändkåpan **15** helt på baksidan av kroppen **1** med hjälp av \*monteringsverktyget för ändkåpa. Därigenom kommer den bakre tätningen **16** att pressas på plats inuti kroppen **1** och en liten mängd olja kommer att tömmas ut från hydraulslang – retur **24**.
- Ta bort den extra \*snabbkoppling – hane från snabbkoppling – hona **11** på hydraulslang – retur **24**.
- Skjut på deflektorn **3** på ändkåpan **15**.
- Prima appliceringsverktyget enligt beskrivningen i Förberedelser för användning på sidan 10.

#### Slangmontering:

- Ta bort de två skruvarna **8** från slangklämman **13** med en 3,0 mm insexnyckel. Ta bort slangklämman och kläminsatsen **26** från skyddshylsan **27** och hydraulslangarna – retur **24** och dra **25**.
- Använd den lilla platta skruvmejseln och dra ut handtag Gator **7** från handtagets gjutningar **11** och **12**. Dra ut handtag Gator över skyddshylsan **27**, hydraulslangar – retur **24** och dra **25** och ta bort.
- Använd en 3,0 mm insexnyckel (och en spännyckel på 7,0 mm på bottenmuttern) och lossa de fyra skruvarna **20** som håller samman handtagets gjutningar **11** och **12** och ta bort.

Alla siffror i fetstil hänvisar till allmän montering och listan över delar på sidorna 18, 19 och 20.

\* Servicepaket på sidan 13

- Avtryckaren **6** är lödad till styrkabeln. Ta bort enheten från handtagen **11** och **12**. Kabelförskruvningen **22** är en del av denna enhet.
- Klipp av buntbandet **43** och skjut tillbaka skyddshylsan **27** för att exponera fästelementen på hydraulslangarna **24** och **25**. Hydraulslangarna kan tas bort från kroppen **1** med 12- och 14 mm-skruvnycklar.
- Snabbkoppling – hane **9** och hona **10** kan tas bort från hydraulslangarna **24** och retur **25** med 18 mm och 24 mm skruvnycklar.

**Montera i omvänd ordning som vid demonteringen och observera följande punkter:**

- Rengör alla gängor på snabbkopplingarna – hane **9** och hona **10** och hydraulslangarna – retur **24** och dra **25**. Applicera sedan två till tre lager av 10 mm PTFE-tejp på gängorna på båda hydraulslangarna.
- När det är monterat, prima verktyget enligt anvisningarna i avsnitt 10.

### **5.8 SKYDDA MILJÖN**

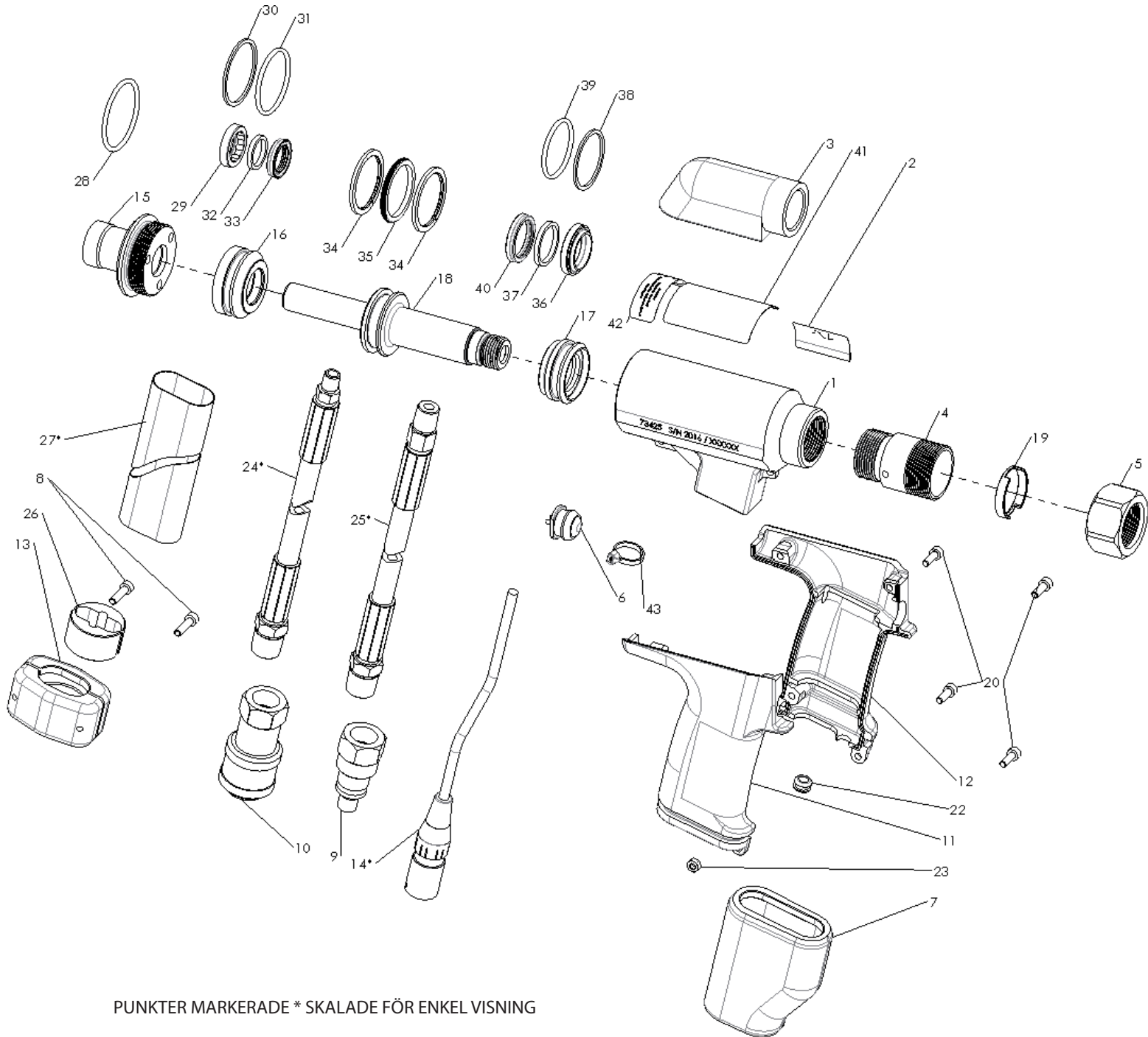
- Observera överensstämmelse med gällande avfallsföreskrifter. Kassera alla avfallsprodukter på en godkänd avfallsanläggning eller plats för att inte utsätta personal och miljö för faror.

Alla siffror i **fetstil** hänvisar till allmän montering och listan över delar på sidorna 18, 19 och 20.

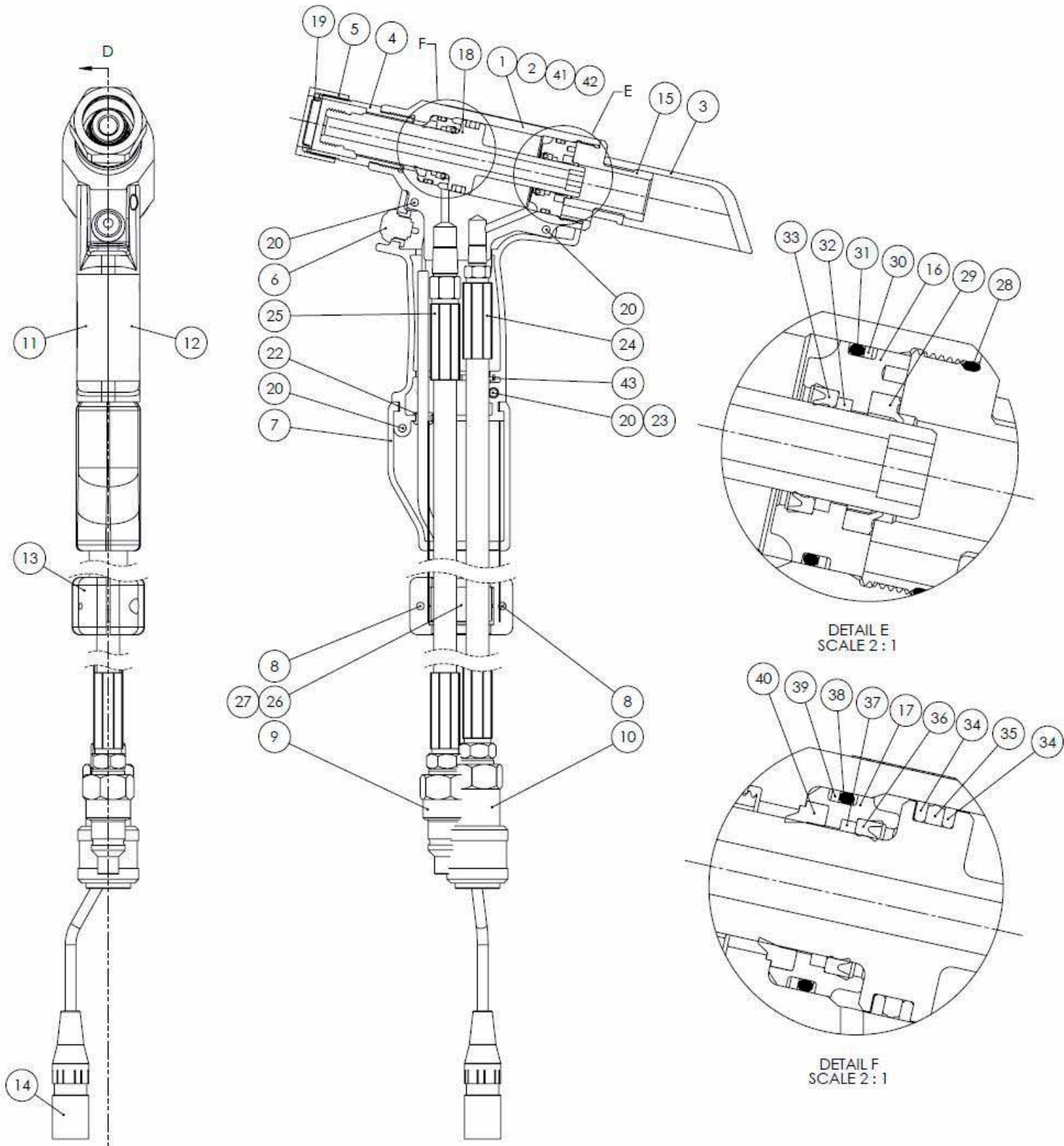
\* Servicepaket på sidan 13.

## 6. ALLMÄN MONTERING OCH DELLISTA

### 6.1 ALLMÄN MONTERING









## 6.2 DELLISTA

73425-02000 DELLISTA			
ARTIKEL Nr.	ARTIKELNUMMER	BESKRIVNING	ANTAL
1	73425-02003	AV®5 huvud	1
2	73425-02014	AV®5 etikett	1
3	73200-02030	Deflektor	1
4	73200-02041	Adapter	1
5	73200-02042	Fästmutter	1
6	73425-02013	Trigger-montering	1
7	73430-02020	Handtag Gator	1
8	07001-00686	M4 uttag kåpskruv	2
9	07005-10118	Snabbkoppling – hane	1
10	07005-10120	Snabbkoppling – hona	1
11	73425-02009	Handtag gjutning – vänster	1
12	73425-02015	Handtag gjutning – höger	1
13	73430-02023	Slangklämma	1
14	07007-02105	Styrkabel	1
15	73425-02007	Ändkåpa	1
16	73425-02006	Bakre tätning	1
17	73425-02005	Främre tätning	1
18	73425-02011	Huvudkolv	1
19	73200-02043	Adapterring	1
20	07001-00688	M4 uttag kåpskruv	4
22	07007-02140	Gummihylsa	1
23	07002-00134	M4 mutter	1
24	07005-10119	Hydraulslang – retur	1
25	07005-10117	Hydraulslang – dra	1
26	73430-02024	Kläminsats	1
27	07005-10121	Skyddshylsa	0,4m
28	07003-00308	O-ring	1
29	07003-00442	Torkartätning	1
30	07003-00527	Spiralbackring	1
31	07003-00526	O-ring	1
32	73430-02010	Bakre lagerring	1
33	07003-00441	Stångtätning	1
34	07003-00521	Anti-strängsprutningsring	2
35	07003-00520	Kolvtätning	1
36	07003-00523	Stångtätning	1
37	73200-03104	Lagerring	1
38	07003-00524	O-ring	1
39	07003-00525	Spiralbackring	1
40	07003-00522	Torkartätning	1
41	73425-02016	Säkerhetsetikett	1
42	07007-01504	CE-märkning	1
43	07007-02032	Buntband	1

## 7. SÄKERHETSDATA

### 7.1 Enerpac® HF HYDRAULOLJA – SÄKERHETSDATA

#### FÖRSTA HJÄLPEN

##### HUD:

Det är osannolikt att orsaka skada på huden vid kortvarig eller tillfällig kontakt men långvarig kontakt eller exponering kan leda till dermatit. Tvätta huden noggrant med tvål och vatten så snart det är praktiskt möjligt. Ta bort starkt förorenade kläder och tvätta underliggande hud.

##### ORALT:

Det kommer sannolikt inte att orsaka skada om det av misstag sväljs i små doser, även om större mängder kan orsaka illamående och diarré. Om kontaminering av munnen inträffar, tvätta noggrant med vatten. Förutom som en avsiktlig handling är det osannolikt att förtära stora mängder produkt. Framkalla inte kräkningar om det skulle inträffa; sök medicinsk rådgivning. Ta personen till närmaste vårdcentral.

##### ÖGON:

Det är osannolikt att orsaka mer än övergående stickning eller rodnad om oavsiktlig ögonkontakt inträffar. Tvätta ögonen noggrant med stora mängder vatten, se till att ögonlocken hålls öppna. Sök läkare om smärta eller rodnad utvecklas eller kvarstår.

##### MEDICINSKA RÅD:

Behandlingen bör i allmänhet vara symptomatisk och inriktad på att lindra eventuella effekter.

##### Notera: Högtrycksanvändning:

Injektioner genom huden, till följd av kontakt med produkten vid högt tryck, utgör en stor medicinsk nödsituation. Skador kan inte verka allvarliga först men inom några timmar blir vävnaden svullen, missfärgad och extremt smärtsam med omfattande subkutan nekros.

Läkarundersökning bör genomföras utan dröjsmål. Grundlig och omfattande debridering av såret och underliggande vävnad är nödvändig för att minimera vävnadsförlust och förhindra eller begränsa permanent skada. Observera att högt tryck kan trycka fram produkten med betydande avstånd.

#### KASSERING

Ta bort allt spill med inert absorberande material. Ventilera spillområdet. Lägg förorenat material i en engångsbehållare och kassera på ett sätt som överensstämmer med lokala föreskrifter.

#### BRAND

FLAMPUNKT: 200 °C.

Släck med antingen torr kemikalie, skum eller koldioxid. Gå inte in i trånga utrymmen utan fristående andningsapparat.

#### HANTERING

Använd barriärkräm eller oljebeständiga handskar.

#### FÖRVARING

I enlighet och överensstämmelse med lokala bestämmelser för brandfarligt material.

### 7.2 MOLYLITHIUM FETT EP 3753 – SÄKERHETSDATA

Fett kan beställas som en enda artikel, artikelnumret visas i servicepaketet sida 12.

#### FÖRSTA HJÄLPEN

##### HUD:

Eftersom fettet är helt vattenbeständigt avlägsnas det bäst med en godkänd emulgerande hudrengöring.

##### FÖRTÄRING:

Se till att personen dricker 30 ml magnesiummjölk, helst i en glas mjölk.

##### ÖGON:

Irriterande men inte skadligt. Skölj med vatten och sök läkare.

#### BRAND

FLAMPUNKT: Över 220 °C.

Ej klassificerat som brandfarligt.

Lämpliga släckmedel: CO<sub>2</sub> halon eller vattenspray om den appliceras av en erfaren operatör.

#### MILJÖ

Skrapa upp för förbränning eller bortskaffande på godkänd plats.

#### HANTERING

Använd barriärkräm eller oljebeständiga handskar

#### FÖRVARING

På avstånd från värme och oxidationsmedel.

**7.3 MOLYKOTE® 111 FETT – SÄKERHETSDATA**

Fett kan beställas som en enda artikel, artikelnumret visas i servicepaketet sida 12.

**FÖRSTA HJÄLPEN**

HUD:

Ingen första hjälpen bör behövas.

FÖRTÄRING:

Ingen första hjälpen bör behövas.

ÖGON:

Ingen första hjälpen bör behövas.

INANDNING:

Ingen första hjälpen bör behövas.

**BRAND**

FLAMPUNKT: Över 101,1 °C. (stängd kopp)

Explosiva egenskaper: Nej

Lämpliga släckmedel: Koldioxidskum, torrpulver eller fin vattenspray. Vatten kan användas för att kyla eldutsatta behållare.

**MILJÖ**

Inga biverkningar förutspås.

**HANTERING**

Allmän ventilation rekommenderas. Undvik ögonkontakt.

**FÖRVARING**

Förvaras inte med oxidationsmedel. Håll behållaren stängd och förvara borta från vatten eller fukt.

## 8. FELSÖKNING

SYMPTOM	MÖJLIG ORSAK	ÅTGÄRD	SIDA REF.
Appliceringsverktyget fungerar inte	Pumpenheten fungerar inte	Kontrollera pumpens strömförsörjning och se bruksanvisningen till pumpenheten	
	Felaktiga snabbkopplingar <b>9</b> och <b>10</b>	Byt ut snabbkopplingar	19
	Avtryckarens styrkabel <b>14</b> är inte korrekt ansluten	Kontrollera att styrkabeln är korrekt ansluten vid pump och appliceringsverktyg	10
	Skadad avtryckarbrytare <b>6</b> eller styrkabel <b>14</b>	Byt ut avtryckarbrytare och/eller styrkabel	19
Avtryckarbrytare <b>7</b> fungerar inte	Pump i lokalt läge	Se pumpens bruksanvisning	
	Skadad avtryckarbrytare <b>6</b> , styrkabel <b>14</b> eller kontakt	Byt ut avtryckarbrytare och/eller styrkabel	19
Pumpen kör med appliceringsverktyget fungerar inte	Hydraulslangarna är inte anslutna	Kontrollera att korrekta anslutningar vid pump och appliceringsverktyg	10
	Låg oljenivå	Se till att appliceringsverktyget är fyllt med olja och korrekt primat, se pumpens bruksanvisning Se pumpens bruksanvisning	10
	Appliceringsverktygets externt oljeläckage	Kontrollera appliceringsverktyget – byt ut slitna eller skadade komponenter	14–17
	Slangenhet externt oljeläckage	Inspektera slangenhetsen – se till att slanganslutningarna är täta och/eller byt ut skadade slanganslutningar	19
	Pump internt/externt oljeläckage	Se pumpens bruksanvisning	
Appliceringsverktyget fungerar oregelbundet	Låg eller oberoende hydraulisk trycktillförsel	Se pumpens bruksanvisning	
	Slitna eller skadade hydrauliska tätningar i appliceringsverktyget	Kontrollera appliceringsverktyget – byt ut slitna eller skadade tätningar	14–17
	Slitna eller skadade hydrauliska tätningssytor i appliceringsverktyget	Kontrollera appliceringsverktyget – byt ut slitna eller skadade komponenter	14–17
	Pump internt/externt oljeläckage	Se pumpens bruksanvisning	
Pumpen bygger fullt tryck, men nålen bryts inte	Brottbelastning större än appliceringsverktygets kapacitet vid fullt tryck	Se specifikationen för appliceringsverktyget	7
	Flödet till appliceringsverktyget blockerat	Kontrollera snabbkopplingarna <b>9</b> och <b>10</b> för fullt ingrepp	10
	Pumptrycksavlastningsventilens värde inställt för lågt	Justera inställningarna för tryckavlastningsventil – se pumpens bruksanvisning	
	Dragspår på fästelementets nål skalade	Se symptom på sidan 24	11
	Felaktig verktygsdrift		11

SYMPTOM	MÖJLIG ORSAK	ÅTGÄRD	SIDA REF.
Appliceringsverktygets kolv <b>1</b> kommer inte tillbaka	Returflödet begränsat. eller blockerat	Kontrollera snabbkopplingarna <b>9</b> och <b>10</b> för fullt ingrepp och/eller fel	10
	Hydraulslangarna är inte anslutna	Kontrollera att korrekta anslutningar vid pump och appliceringsverktyg	10
	Fel på pumpventilen	Se pumpens bruksanvisning	
Appliceringsverktyget matar inte ut kragen från städet	Pumpreturtimerinställning felaktig – ställd in för lågt	Justera inställningarna för returtimer till rekommenderad inställning – se pumpens bruksanvisning	
	Pumpreturtrycksavlastningsventilen inställd för lågt	Justera inställningarna för returtryckavlastningsventil – se pumpens bruksanvisning	
	Låg eller oberoende hydraulisk trycktillförsel	Se pumpens bruksanvisning	
	Slitna eller skadade hydrauliska tätningar i appliceringsverktyget	Kontrollera appliceringsverktyget – byt ut slitna eller skadade tätningar	14–17
	Slitna eller skadade hydrauliska tätningsytor i appliceringsverktyget	Kontrollera appliceringsverktyget – byt ut slitna eller skadade komponenter	14–17
	Pump internt/externt oljeläckage	Se pumpens bruksanvisning	
Dragspår på fästelementets nål skalade under installation	Operatören skjuter inte nosen helt på fästelementets nål innan hanteringsverktyget	Instruera operatören i korrekt installationsmetod	11
	Felaktig fästelementlängd/grepplängd	Använd rätt fästelement	
	Slitna eller skadade käftsegment	Kontrollera och byt ut käftset – se datablad för munstycksutrustning	11
	Skräp i käftsegment och/eller nålspår	Rengör käftsegmenten – se datablad för munstycksutrustning	
	För stort arkgap	Tätt gap mellan ark	11
Avdelok®- eller Av-bolt®-kragen är inte fullständigt svängd	Felaktig verktygsdrift		11
	Utslitet städ-borrhål	Kontrollera och byt ut städet – se datablad för munstycksutrustning	
Nålen frigörs inte från munstycksutrustningen	Felaktig montering av munstycksutrustning	Se datablad för munstycksutrustning	
Fästverktyg och hydraulolja blir varm	Begränsning i hydraulledningen	Kontrollera hydrauliska snabbkopplingar <b>9</b> och <b>10</b> och byt ut vid behov	19
	Hög omgivningstemperatur		
Hydrauliska snabbkopplare <b>9</b> och <b>10</b> läcker olja	Slitna o-ringar i kroppen på snabbkoppling – hane <b>9</b>	Byt ut o-ringar och back-up-ring i snabbkoppling <b>9</b>	19

Alla siffror i **fetstil** hänvisar till allmän montering och listan över delar på sidorna 18, 19 och 20.

\* Servicepaket på sidan 13.

## 9. EU-FÖRSÄKRAN OM ÖVERENSSTÄMMELSE

Vi, **Stanley Engineered Fastening, Stanley House, Works Road, Letchworth Garden City, Hertfordshire, SG6 1JY UNITED KINGDOM**, försäkrar under eget ansvar att produkten:

**Beskrivning:** HYDROELEKTRISKT KRAFTVERKTYG

**Modell:** AV<sup>®</sup> 5 STRUKTURVERKTYG – 73425-02000

som denna deklARATION relaterar till uppfyller följande standarder:

ISO 12100:2010	EN ISO 3744:2010
EN ISO 11202:2010	EN ISO 11148-1:2011
EN ISO 4413:2010	EN ISO 20643:2008+A1:2012
EN ISO 4414:2010	ES100118-rev 17:2017
EN ISO 28927-5:2009+A1:2015	

Den tekniska dokumentationen är utformad i enlighet med bilaga 1, avsnitt 1.7.4.1. i enlighet med följande direktiv: **2006/42/EG Maskindirektivet** (Statutory Instruments 2008 nr 1597 – Föreskrifterna om leverans av maskiner (säkerhet) 2008).

Undertecknad lämnar denna förklaring på uppdrag av STANLEY Engineered Fastening



**A. K. Seewraj**

**Director of Engineering, Storbritannien**

Avdel UK Limited, Stanley House, Works Road, Letchworth Garden City, Hertfordshire, SG6 1JY STORBRIANNIEN

**Utgivningsplats:** Letchworth Garden City, Storbritannien

**Utgivningsdatum:** 24-08-2021

Undertecknad är ansvarig för sammanställningen av tekniska data för produkter sålda i Europeiska unionen och gör denna försäkran för Stanley Engineered Fastening.

**Matthias Appel**

**Team Leader Technical Documentation**

Stanley Engineered Fastening, Tucker GmbH, Max-Eyth-Str.1,  
35394 Gießen, Tyskland



Denna maskin är i överensstämmelse med  
Maskindirektiv 2006/42/EC

**STANLEY**  
Engineered Fastening

## 10. SV DEKLARATION OM ÖVERENSSTÄMMELSE

Vi, **Stanley Engineered Fastening, Stanley House, Works Road, Letchworth Garden City, Hertfordshire, SG6 1JY UNITED KINGDOM**, försäkrar under eget ansvar att produkten:

**Beskrivning:** **HYDROELEKTRISKT KRAFTVERKTYG**

**Modell:** **AV<sup>®</sup> 5 STRUKTURVERKTYG – 73425-02000**

som denna deklARATION relaterar till uppfyller följande standarder:

ISO 12100:2010	EN ISO 3744:2010
EN ISO 11202:2010	EN ISO 11148-1:2011
EN ISO 4413:2010	EN ISO 20643:2008+A1:2012
EN ISO 4414:2010	ES100118-rev 17:2017
EN ISO 28927-5:2009+A1:2015	

Teknisk dokumentation är sammanställd i enlighet med Supply of Machinery (Safety) Regulations 2008, SI 2008/1597 (med ändringar).

Undertecknad lämnar denna förklaring på uppdrag av STANLEY Assembly Technologies



**A. K. Seewraj**

**Director of Engineering, Storbritannien**

Avdel UK Limited, Stanley House, Works Road, Letchworth Garden City, Hertfordshire, SG6 1JY STORBRIANNIEN

**Utgivningsplats:** **Letchworth Garden City, Storbritannien**

**Utgivningsdatum:** **24-08-2021**



Denna maskin är i överensstämmelse med  
Supply of Machinery (Safety) Regulations 2008,  
S.I. 2008/1597 (med ändringar)

## 11. SKYDDA DIN INVESTERING!

### **Stanley® Engineered Fastening BLINDNITVERKTYG GARANTI**

STANLEY® Engineered Fastening garanterar att alla kraftverktyg noggrant tillverkats och att de är fria från materialdefekter och tillverkningsfel vid normal användning och service för en period av ett (1) år.

Denna garanti gäller endast för första köparen av verktyget för original användning.

#### **Undantag:**

##### **Normalt slitage.**

Regelbundet underhåll, reparation och reservdelar på grund av normalt slitage är undantagen från garantin.

##### **Missbruk och felaktig användning.**

Defekter eller skador som uppstår av felaktig hantering, förvaring, missbruk eller felaktig användning, olyckor eller försummelse, såsom fysiska skador är undantaget från garantin.

##### **Obehörig service eller modifiering.**

Defekter eller skador som uppstår efter service, testinställning, installation, underhåll, ändringar eller modifieringar på något sätt av någon annan än STANLEY® Engineered Fastening, eller deras auktoriserade servicecenter är undantaget från garantin.

Alla andra garantier, uttalade eller underförstådda, inklusive några garantier om säljbarhet eller lämplighet för särskilt syfte är undantaget från garantin.

Om detta verktyg inte uppfyller garantin, returnera snarast verktyget till vår fabriks auktoriserade servicecenter närmast dig. För en lista med Stanley Engineered Fastening auktoriserade servicecenter i USA eller Kanada, kontakta oss på gratisnumret +1 (877)364 2781.

Utanför USA och Kanada, besök vår hemsida **[www.StanleyEngineeredFastening.com](http://www.StanleyEngineeredFastening.com)** för att hitta närmsta STANLEY Engineered Fastening-plats.

STANLEY Engineered Fastening kommer sedan att ersätta, utan kostnad, någon del eller delar som vi hittar som är defekt. Detta utgör vår enda skyldighet enligt denna garanti.

Under inga omständigheter ska STANLEY Engineered Fastening vara ansvarigt för eventuella följdskador eller speciella skador som följer av inköp eller användning av detta verktyg.

#### **Registrera ditt blindnitverktyg online.**

För att registrera din garanti online, besök oss på

<https://www.stanleyengineeredfastening.com/support/warranty-registration-form>

Tack för att du valt ett STANLEY® Engineered Fastening's Stanley Assembly Technologies Brand-verktyg.



©2021 da marca STANLEY Black & Decker  
 Todos os direitos reservados.





As informações fornecidas não podem ser reproduzidas e/ou tornadas públicas por qualquer forma ou qualquer meio (electrónica ou mecânica) sem a permissão prévia explícita e escrita por parte da STANLEY Engineered Fastening. As informações fornecidas têm como base dados conhecidos durante a introdução deste produto. A STANLEY Engineered Fastening segue uma política de melhoramento contínuo dos produtos e, por conseguinte, os produtos podem estar sujeitos a alterações. As informações fornecidas são aplicáveis ao produto tal como são fornecidas pela STANLEY Engineered Fastening. Por conseguinte, a STANLEY Engineered Fastening não pode ser responsabilizada por quaisquer desvios das especificações originais do produto.

As informações disponíveis foram criadas com o maior rigor possível. No entanto, a STANLEY Engineered Fastening não aceita qualquer responsabilidade no que respeita a quaisquer erros das informações indicadas ou pelas consequências daí resultantes. A STANLEY Engineered Fastening não aceita qualquer responsabilidade por quaisquer danos resultantes das actividades executadas por terceiros. Os nomes autorizados, nomes comerciais, marcas registadas, etc., utilizados pela STANLEY Engineered Fastening não devem ser considerados gratuitos, de acordo com a legislação no que respeita à protecção das marcas comerciais.

## ÍNDICE

<b>1. DEFINIÇÕES DE SEGURANÇA .....</b>	<b>3</b>
1.1 REGRA DE SEGURANÇA GERAL.....	3
1.2 RISCO DE PROJECCÃO .....	3
1.3 RISCO DURANTE O FUNCIONAMENTO.....	4
1.4 RISCO DE MOVIMENTO REPETITIVO.....	4
1.5 RISCO RELACIONADO COM ACESSÓRIOS .....	4
1.6 RISCO NO LOCAL DE TRABALHO .....	4
1.7 RISCO DE RUÍDO.....	5
1.8 RISCO DE VIBRAÇÃO.....	5
1.9 INSTRUÇÕES ADICIONAIS DE SEGURANÇA PARA FERRAMENTAS ELECTRO-HIDRÁULICAS .....	5
<b>2. CARACTERÍSTICAS TÉCNICAS.....</b>	<b>6</b>
2.1 UTILIZAÇÃO PRETENDIDA.....	6
2.2 ESPECIFICAÇÕES DA FERRAMENTA .....	6
2.3 DIMENSÕES DA FERRAMENTA .....	7
<b>3. COLOCAÇÃO EM FUNCIONAMENTO .....</b>	<b>8</b>
3.1 PRINCÍPIO DE FUNCIONAMENTO .....	8
3.2 PREPARAÇÃO PARA UTILIZAÇÃO .....	9
<b>4. INSTRUÇÕES DE FUNCIONAMENTO .....</b>	<b>10</b>
4.1 INSERIR UM FIXADOR AVBOLT® .....	10
4.2 INSERIR UM FIXADOR AVDELOK® .....	10
4.3 INSERIR UM FIXADOR NEOBOLT® .....	11

<b>5. ASSISTÊNCIA DA FERRAMENTA .....</b>	<b>12</b>
5.1 ASSISTÊNCIA DIÁRIA.....	12
5.2 ASSISTÊNCIA SEMANAL .....	12
5.3 OPERAÇÕES DE ASSISTÊNCIA ANUAL/A CADA 250 000 OPERAÇÕES.....	12
5.4 KIT DE SERVIÇO .....	12
5.5 FERRAMENTAS DE ASSISTÊNCIA.....	13
5.6 ÓLEO HIDRÁULICO .....	13
5.7 INSTRUÇÕES DE DESMONTAGEM.....	13
5.8 PROTECÇÃO DO AMBIENTE.....	16
<b>6. MONTAGEM GERAL E LISTA DE PEÇAS .....</b>	<b>17</b>
6.1 MONTAGEM GERAL .....	17
6.2 LISTA DE PEÇAS.....	19
<b>7. DADOS DE SEGURANÇA .....</b>	<b>20</b>
7.1 ÓLEO HIDRÁULICO Enerpac® HF: DADOS DE SEGURANÇA .....	20
7.2 GRAXA MOLYLITHIUM EP 3753: DADOS DE SEGURANÇA .....	20
7.3 GRAXA Molykote® 111: DADOS DE SEGURANÇA.....	21
<b>8. DIAGNÓSTICO DE AVARIAS .....</b>	<b>22</b>
<b>9. DECLARAÇÃO CE DE CONFORMIDADE .....</b>	<b>24</b>
<b>10. DECLARAÇÃO DE CONFORMIDADE DO REINO UNIDO.....</b>	<b>25</b>
<b>11. PROTEJA O SEU INVESTIMENTO! .....</b>	<b>26</b>

	Este manual de instruções deve ser lido por qualquer pessoal responsável pela instalação ou utilização desta ferramenta, com especial atenção às seguintes instruções ou avisos de segurança.
	Use sempre protecção ocular resistente a impacto quando utilizar a ferramenta. O grau de protecção necessário deve ser avaliado de acordo com cada utilização.
	A utilização da ferramenta pode expor as mãos do operador a riscos, incluindo esmagamento, impactos, cortes, desgaste e calor. Use luvas adequadas para proteger as mãos.
	Utilize protecção auditiva de acordo com as instruções do empregador e em conformidade com os regulamentos de segurança e saúde no trabalho.

## 1. DEFINIÇÕES DE SEGURANÇA

As definições abaixo descrevem gravidade de cada aviso. Leia o manual e preste atenção a estes símbolos.



**PERIGO:** Indica uma situação de perigo iminente que, se não for evitada, resulta na morte ou em ferimentos graves.



**ATENÇÃO:** Indica uma situação de possível perigo que, se não for evitada, pode resultar na morte ou em ferimentos graves.



**AVISO:** Indica uma situação de possível perigo que, se não for evitada, pode resultar ferimentos ligeiros ou moderados.



**AVISO:** Utilizado sem o símbolo de aviso de segurança indica uma situação potencialmente perigosa que pode causar danos materiais.

**A utilização ou manutenção inadequadas deste produto podem resultar em ferimentos graves ou danos materiais. Antes de utilizar este equipamento, leia e compreenda todos os avisos e instruções de funcionamento. Quando utilizar ferramentas eléctricas, devem ser sempre tomadas precauções básicas de segurança para reduzir o ferimentos pessoais.**

### GUARDE TODOS OS AVISOS E INSTRUÇÕES PARA REFERÊNCIA FUTURA.

#### 1.1 REGRA DE SEGURANÇA GERAL

- Para evitar vários riscos, leia e compreenda as instruções de segurança antes de instalar, utilizar, reparar, fazer a manutenção, substituir acessórios ou trabalhar perto da ferramenta. Se não o fizer, podem ocorrer ferimentos graves.
- Apenas os operadores qualificados e com formação devem instalar, regular ou utilizar a ferramenta.
- NÃO utilize o equipamento para outro efeito que não seja fixar rebites cegos da STANLEY Engineered Fastening.
- Utilize apenas as peças, fixadores e acessórios recomendados pelo fabricante.
- NÃO modifique a ferramenta. As modificações podem reduzir a eficiência das medidas de segurança e aumentar os riscos para o operador. Se for efectuada qualquer modificação na ferramenta pelo cliente, este será o único responsável e quaisquer garantias aplicáveis serão anuladas.
- Não elimine as instruções de segurança, entregue-as ao operador.
- Não utilize a ferramenta se estiver danificada.
- Antes de utilizar a ferramenta, verifique se as peças móveis da ferramenta estão alinhadas e não emperram, bem como se existem peças partidas ou quaisquer outras condições que possam afectar o funcionamento da mesma. Se a ferramenta apresentar danos, esta deve ser reparada pelo centro de assistência antes de voltar a utilizá-la. Retire qualquer chave de fenda ou ajuste antes de utilizar a ferramenta.
- As ferramentas devem ser inspeccionadas periodicamente para verificar se as classificações e marcas exigidas por esta parte da ISO 11148 estão legíveis na ferramenta. O empregador/utilizador deve entrar em contacto com o fabricante para obter as etiquetas de marcação sobresselentes, se necessário.
- A manutenção da ferramenta deve ser sempre efectuada num local de trabalho seguro e deve ser examinada em intervalos regulares em termos de danos e funcionamento por pessoal com formação. Os procedimentos de desmontagem devem ser efectuados apenas por técnicos qualificados. Só deve desmontar esta ferramenta depois de consultar as instruções de manutenção.

#### 1.2 RISCO DE PROJECÇÃO

- Desligue a ferramenta da bomba hidráulica antes de efectuar qualquer manutenção, ajuste, instalação ou remoção de um conjunto da ponteira ou acessórios.

- Tenha em atenção que a falha da peça de trabalho ou dos acessórios ou mesmo a ferramenta inserida pode resultar em projecteis a elevada velocidade.
- Use sempre protecção ocular resistente a impacto quando utilizar a ferramenta. O grau de protecção necessário deve ser avaliado de acordo com cada utilização.
- Os riscos para terceiros deve ser também avaliado nesta altura.
- Verifique se a peça de trabalho está fixada correctamente.
- Verifique se o tipo de protecção contra ejeção do fixador e/ou do mandril está instalado e operacional.
- Esteja preparado contra possível ejeção potente dos mandris na parte da frente da ferramenta.
- NÃO aponte a ferramenta ligada a pessoas.

### 1.3 RISCO DURANTE O FUNCIONAMENTO

- A utilização da ferramenta pode expor as mãos do operador a riscos, incluindo esmagamento, impactos, cortes, desgaste e calor. Use luvas adequadas para proteger as mãos.
- Os operadores e os técnicos de manutenção devem ter capacidade para lidar com o volume, peso e potência da ferramenta.
- Segure a ferramenta correctamente. Prepare-se para reagir a movimentos normais ou súbitos e deve ter as mãos disponíveis.
- Mantenha as pegadas da ferramenta secas, limpas e sem óleo e massa lubrificante.
- Quando utilizar a ferramenta, mantenha o corpo equilibrado e os pés bem assentes.
- Liberte o dispositivo de arranque e paragem no caso de interrupção do fornecimento hidráulico.
- Utilize apenas os lubrificantes recomendados pelo fabricante.
- O contacto com fluido hidráulico deve ser evitado. Para minimizar a probabilidade de alergia, se houver contacto, lave bem a área afectada.
- As fichas de dados de segurança de material de todos os óleos hidráulicos e lubrificantes estão disponíveis mediante pedido, junto do seu fornecedor de ferramentas.
- Evite uma postura não adequada, porque é provável que estas posições não permitam uma reacção para movimentos normais ou inesperados da ferramenta.
- Se a ferramenta estiver fixada num dispositivo de suspensão, certifique-se de que a fixação está segura.
- Se a ponteira não estiver instalada, corre o risco de ficar esmagado ou entalado.
- NÃO utilize a ferramenta sem a caixa da ponteira.
- Antes de continuar, é necessário que o utilizador da ferramenta tenha espaço adequado para manuseá-la.
- Quando transportar a ferramenta de um local para outro, mantenha as mãos afastadas do gatilho para impedir qualquer activação inadvertida.
- NÃO utilize a ferramenta de maneira abusiva, deixando-a cair ou utilizá-la como um martelo.
- Deve ter cuidado para certificar-se de que os mandris gastos não representam um perigo.

### 1.4 RISCO DE MOVIMENTO REPETITIVO

- Quando utilizar a ferramenta, o operador pode sentir desconforto nas mãos, braços, ombros, pescoço ou noutras partes do corpo.
- Quando utilizar a ferramenta, o operador deve ter uma postura confortável, bem como ter os pés assentes e evitar posições incómodas ou sem equilíbrio. O operador deve mudar de posição durante tarefas prolongadas. Isto pode ajudar a evitar desconforto e fadiga.
- Se o operador tiver sintomas como desconforto persistente ou recorrente, dor, palpitações, cansaço, formigueiro, dormência, sensação de ardor ou rigidez, estes sinais de aviso não devem ser ignorados. O operador deve informar o empregador e contactar um profissional de saúde qualificado.

### 1.5 RISCO RELACIONADO COM ACESSÓRIOS

- Desligue a ferramenta da fonte de alimentação hidráulica e eléctrica antes de montar ou retirar o conjunto da ponteira ou o acessório.
- Utilize apenas acessórios e consumíveis cujo tamanho e tipo sejam recomendados pelo fabricante da ferramenta. Não utilize acessórios ou consumíveis de outro tipo ou tamanho.

### 1.6 RISCO NO LOCAL DE TRABALHO

- Deslizes, tropeções e quedas são as principais causas de ferimentos no local de trabalho. Esteja atento a superfícies escorregadias resultantes da utilização da ferramenta e também ao risco de tropeçar no tubo de ar ou na mangueira hidráulica.
- Tenha cuidado quando trabalhar em locais onde não esteja familiarizado. Pode haver perigos escondidos, como cabos de electricidade ou outras linhas de serviços públicos.
- A ferramenta não foi concebida para ser utilizada em ambientes potencialmente explosivos e não está isolada contra o contacto com energia eléctrica.
- Verifique se não há cabos eléctricos, tubos de gás, etc., que possam dar origem a situações de perigo se forem danificados pela utilização da ferramenta.

- Use vestuário adequado. Não use roupa larga ou jóias. Mantenha o cabelo, a roupa e as luvas afastados das peças móveis. As roupas largas, as jóias ou o cabelo comprido podem ficar presos nestas peças.
- Deve ter cuidado para certificar-se de que os mandris gastos não representam um perigo.

### 1.7 RISCO DE RUÍDO

- A exposição a níveis elevados de ruído pode causar perda auditiva permanente, incapacitante e outros problemas, como zumbido nos ouvidos. Por conseguinte, é essencial avaliar o risco e a implementação de controlos adequados para estes riscos.
- Controlos adequados para reduzir o risco podem incluir medidas como materiais de isolamento para impedir que as peças de trabalho causem zumbido.
- Utilize protecção auditiva de acordo com as instruções do empregador e em conformidade com os regulamentos de segurança e saúde no trabalho.
- Utilize e faça a manutenção da ferramenta conforme recomendado no manual de instruções para evitar um aumento desnecessário do nível de ruído.

### 1.8 RISCO DE VIBRAÇÃO

- A exposição às vibrações pode causar danos incapacitantes nos nervos e fornecimento de sangue nas mãos e nos braços.
- Use roupa quente quando trabalhar em locais frios e mantenha as mãos quentes e secas.
- Se sentir dormência, formigamento, dor ou branqueamento da pele nos dedos ou nas mãos, pare de utilizar a ferramenta, informe o seu superior e contacte um médico.
- Se possível, suporte o peso da ferramenta numa bancada, tensor ou equalizador, porque uma fixação mais leve pode ser utilizada para suportar a ferramenta.

### 1.9 INSTRUÇÕES ADICIONAIS DE SEGURANÇA PARA FERRAMENTAS ELECTRO-HIDRÁULICAS

- O valor de fornecimento hidráulico não deve exceder 550 bar (8000 PSI).
- O óleo sob pressão pode causar ferimentos graves.
- Não instale manguelras hidráulicas flexíveis com uma pressão de funcionamento inferior a 700 bar a um caudal de 2,73 l/minuto.
- Nunca deixe a ferramenta a funcionar sem assistência. Se não utilizar a ferramenta, desligue a mangueira hidráulica e o cabo eléctrico da bomba antes de substituir acessórios ou quando efectuar reparações.
- O efeito de chicote das manguelras pode causar ferimentos graves. Verifique sempre se existem manguelras e acessórios danificados ou soltos.
- Antes de utilizar o equipamento, inspeccione se as manguelras hidráulicas apresentam danos, todas as ligações hidráulicas devem estar limpas, totalmente encaixadas e apertadas antes da utilização. Não deixe cair objectos pesados em cima das manguelras. Um golpe forte pode causar danos internos e dar origem à falha prematura do tubo.
- Sempre que utilizar acoplamentos torcidos universais (acoplamentos de garra), devem ser instalados pinos de segurança e cabos de segurança para manguelras como protecção contra possíveis falhas entre a mangueira e a ferramenta ou entre a mangueira e a mangueira.
- NÃO levante a ferramenta de colocação pela mangueira ou pelo cabo eléctrico. Utilize sempre a pega da ferramenta de colocação.
- NÃO puxe ou mova a bomba hidráulica pelas manguelras. Utilize sempre a pega da bomba ou a gaiola de protecção.
- Mantenha o sistema hidráulico da ferramenta limpo de sujidade e substâncias estranhas, porque podem causar uma avaria da ferramenta.
- Utilize apenas equipamento de enchimento e lubrificação limpos.
- Podem ser utilizados apenas os fluidos hidráulicos recomendados.
- As unidades de potência exigem um caudal de ar para refrigeração e, por conseguinte, devem ser colocadas numa área bem ventilada sem vapores perigosos.
- A temperatura máxima do fluido hidráulico na entrada é de 110 °C.

**A política da STANLEY Engineered Fastening promove o desenvolvimento e o melhoramento contínuo de produtos e reservamo-nos o direito de alterar as especificações de quaisquer produtos sem aviso prévio.**

## 2. CARACTERÍSTICAS TÉCNICAS

### 2.1 UTILIZAÇÃO PRETENDIDA

A ferramenta de instalação AV®5 é, essencialmente, o conjunto de um pistão e de um cilindro. Quando é ligada de maneira hidráulica e eléctrica a uma fonte de alimentação hidráulica compatível e o conjunto da ponteira está montado, é utilizada para fixar fixadores de 3/8" da Avdelok®, 3/8" da NeoBolt®, 5/16" da Avbolt® e Avseal® de Ø 16 mm em ambientes industriais.

A ferramenta de colocação e a bomba hidráulica só podem ser utilizadas de acordo com as instruções de funcionamento para colocação de rebites estruturais da Stanley Engineered Fastening.

Consulte a tabela indicada abaixo para obter a lista de fixadores aplicáveis e equipamento da ponteira associado.

Consulte as fichas de dados indicadas na tabela para obter as instruções sobre o conjunto da ponteira.

**NÃO** utilize a ferramenta em ambientes húmidos ou na presença de gases ou líquidos inflamáveis.

FIXADOR		CONJUNTO DA PONTEIRA			FICHA DE DADOS DO CONJUNTO DA PONTEIRA
TIPO	TAMANHO	NÚMERO DA PEÇA	DIM. "A"	DIM. "B"	NÚMERO DA PEÇA
AVBOLT®	3,55 mm	07220-07500	70 mm	19 mm	07900-00905
	5/16"	07220-07700	100 mm	27 mm	07900-00905
AVDELOK®	5/16"	07220-05600	130 mm	27 mm	
	9,65 cm	07220-02000	100 mm	27 mm	
AVSEAL® II	16 mm	07220-06800	100 mm	27 mm	07900-00840
AVTAINER®	9,65 cm	* 71230-15600	130 mm	23 mm	
MONOBOLT®	3,55 mm	* 71230-15800	130 mm	27 mm	
	9,65 cm	07220-07200	110 mm	27 mm	
NEOBOLT®	5/16"	73200-05000	100 mm	27 mm	07900-01071
	9,65 cm	73200-05100	100 mm	27 mm	07900-01071

Notas:

As dimensões de comprimento são valores aproximados.

\* É obrigatório encaixar o adaptador, peça número 07267-00800, neste conjunto da ponteira.

\*Conjunto da ponteira com sistema de libertação do mordente.

Consulte a imagem indicada na página 8 para identificar as dimensões do conjunto da ponteira "A" e "B".

As instruções de segurança devem ser sempre cumpridas.

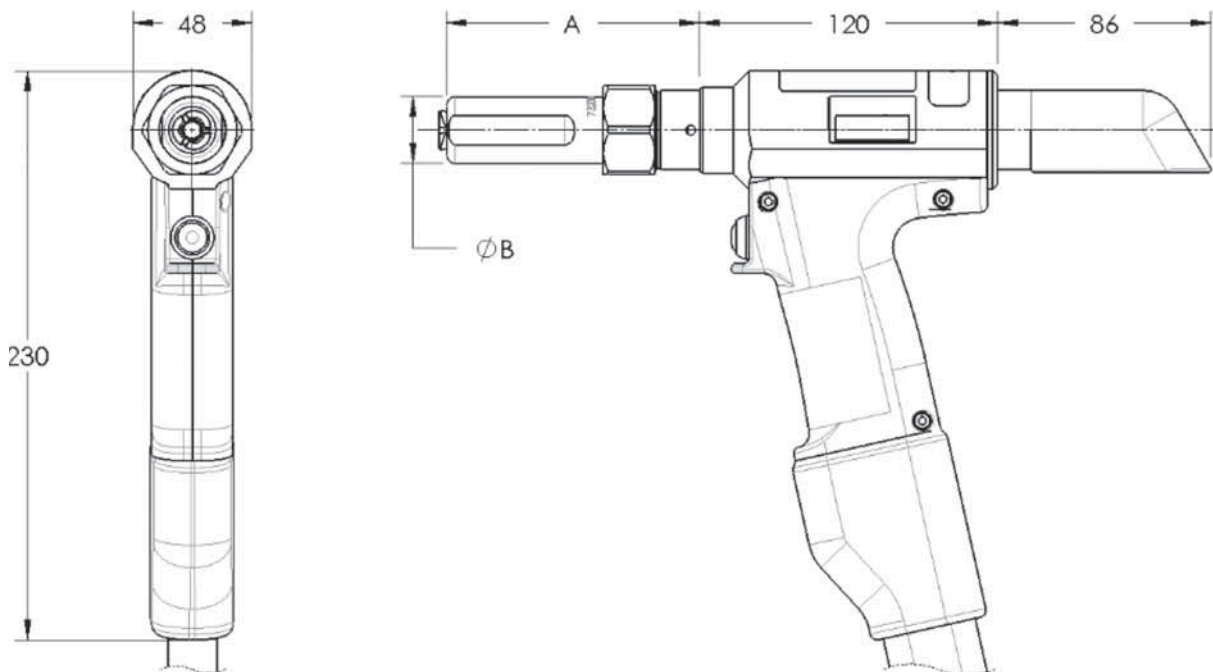
### 2.2 ESPECIFICAÇÕES DA FERRAMENTA

CARACTERÍSTICAS TÉCNICAS		SISTEMA MÉTRICO	SISTEMA IMPERIAL
Força:	Puxe de acordo com a pressão de tracção indicada	36,0 kN	8992,4 lbf
	Empurre de acordo com a pressão de retorno indicada	17,5 kN	3934,1 lbf
Pressão:	Tracção	510 bar	7396,9 lbf/pol <sup>2</sup>
	Regresso	200 bar	2900,7 lbf/pol <sup>2</sup>
Curso:	Curso mínimo do pistão	30,0 mm	1,18 pol
Peso:	Com o equipamento da ponteira e a mangueira	2,9 kg	6,4 lb
Óleo hidráulico:	Óleo hidráulico Enerpac - HF-95X	-	-
	Ejecção da haste		Parte traseira
	Disposição dos vedantes	Anéis de selagem e vedação duplos	
Funções adicionais:	Anéis dos mancais hidráulicos	Sim – Parte dianteira e traseira	
	Pega de protecção/mangueira gator		Sim
	Resguardo da mangueira de protecção		Sim
	Mangueira/braçadeira de cabos		Sim

Os valores de ruído são determinados de acordo com o código de ensaio de ruído ISO 15744 e ISO 3744.		AV5
Nível de potência sonora com ponderação A dB(A), LWA	Variabilidade de ruído: kWA = 3,0 dB(A)	86,9 dB(A)
Um nível de emissão de pressão sonora com ponderação A na estação de trabalho dB(A), LpA	Variabilidade de ruído: kpA = 3,0 dB(A)	75,9 dB(A)
Nível de emissão de pressão sonora com ponderação dB(C), LpC, pico	Variabilidade de ruído: kpC = 3,0 dB(C)	81,1 dB(C)

Os valores de ruído são determinados de acordo com o código de ensaio de ruído ISO 20643 e ISO 5349		AV5
Nível de emissão de vibrações, ahd:	Incerteza de vibração: k = 1,34 m/s <sup>2</sup>	2,69 m/s <sup>2</sup>
Valores de emissão de vibrações declarados de acordo com a norma EN 12096		

### 2.3 DIMENSÕES DA FERRAMENTA



Todas as dimensões são indicadas em milímetros. A ilustração mostra o conjunto da ponteira 3/8" NeoBolt® montada. O aspecto da ferramenta varia consoante os conjuntos da ponteira montados.

Consulte a tabela indicada na página 7 para indicar as dimensões do conjunto da ponteira "A" e "B".

A ferramenta está equipada com duas mangueiras hidráulicas e um cabo de controlo elétrico, 0,6 m de comprimento. Está disponível uma mangueira hidráulica e extensões de cabo adicionais para encomenda em separado, conforme necessário. Consulte a tabela indicada abaixo para obter os comprimentos de conjunto de mangueiras disponíveis e números de peça associados.

CONJUNTO DE MANGUEIRAS HIDRÁULICAS	
NÚMERO DA PEÇA	COMPIMENTO DA MANGUEIRA
07008-00448	5 metros
07008-00449	10 metros
07008-00450	15 metros



## 3. COLOCAÇÃO EM FUNCIONAMENTO

### 3.1 PRINCÍPIO DE FUNCIONAMENTO

**IMPORTANTE: LEIA AS REGRAS DE SEGURANÇA NAS PÁGINAS 4 A 6 E DO MANUAL DE INSTRUÇÕES DA BOMBA COM ATENÇÃO ANTES DE COLOCAR A FERRAMENTA EM FUNCIONAMENTO.**

Se as mangueiras e o cabo de controlo estiverem ligados à bomba hidráulica Avdel®/Enerpac®, os ciclos de tracção e retorno da ferramenta são controlados pela pressão e libertação do gatilho localizado na pega.

Quando o interruptor é pressionado na válvula solenóide, situado na bomba hidráulica, é energizado e direcciona o fluxo de óleo pressurizado para o lado de tracção do pistão na ferramenta de colocação. Isto também permite o retorno do óleo no lado de retorno da ferramenta de colocação para o depósito.

Durante os ciclos de tracção, o conjunto de pistões/pinças move-se na direcção da parte de trás da ferramenta, o que permite à almofada semelhante a uma junta tórica empurrar o apalpador e os mordentes para a frente. Se um fixador tiver sido inserido no conjunto da ponteira, o conjunto de mordentes será fixado no pino e a montagem é iniciada.

Para Avbolt® e Avdelok® o ciclo de instalação irá fixar primeiro a junta que vai ser apertada e, em seguida, à medida que a bigorna continua a avançar, o anel vai ser rebitado nas ranhuras de bloqueio do pino. No final do ciclo de estampagem, a bigorna fica encostada à junta e à medida que o movimento continua, o pino é partida.

O gatilho deve ser libertado de imediato se o pino se partir. A libertação do gatilho faz com que o solenóide fique desenergizado e inverta o fluxo do óleo pressurizado.

Se o gatilho não for libertado, o pistão da ferramenta de colocação continua a mover-se para a parte de trás da ferramenta até atingir o fim do curso. A pressão no lado de tracção aumenta até ser atingido um valor predefinido de "Pressão elevada" na bomba. Nesta altura, a válvula solenóide é desenergizada automaticamente e inverte o fluxo de óleo pressurizado para o lado de retorno da ferramenta de colocação.

Seja como for, o óleo pressurizado flui para o lado de retorno da ferramenta de colocação e o óleo no lado de tracção regressa para o depósito.

O movimento de avanço do conjunto do pistão/pinça ejecta o fixador instalado da bigorna.

No momento de libertação do gatilho ou quando for atingido o valor "Pressão elevada", a válvula solenóide é desenergizada e activa um "Temporizador de retorno" predefinido. Isto controla a hora em que o motor da bomba continua a funcionar antes de mudar para o modo inactivo. O temporizador pode ser definido manualmente entre 5 e 20 segundos para garantir que o pistão da ferramenta de colocação regressa sempre totalmente para a posição de avanço (consulte o manual da bomba 07900-01030, páginas 10 e 13).

Quando o pistão volta para a posição de avanço total, a pressão aumenta para o valor de pressão reduzida predefinida, c200bar. O motor da bomba continua a funcionar até o temporizador de retorno ter expirado. Após este período de tempo, o motor pára automaticamente e a válvula muda para a posição de inactividade. Em seguida, a válvula solenóide efectua um ciclo automático para libertar o óleo sob pressão para o depósito do lado de tracção e de retorno da ferramenta de colocação.

Isto mantém a ferramenta de instalação na posição de avanço. Deste modo, não existe pressão no sistema hidráulico.

A bomba hidráulica é iniciada automaticamente quando pressiona o gatilho da ferramenta.



### 3.2 PREPARAÇÃO PARA UTILIZAÇÃO

**ATENÇÃO: É IMPORTANTE QUE AS PRESSÕES DE TRACÇÃO E RETORNO ESTEJAM CORRECTAS PARA QUE A FERRAMENTA DE INSTALAÇÃO FUNCIONE CORRECTAMENTE. PODEM OCORRER FERIMENTOS OU DANOS NO EQUIPAMENTO SE NÃO FOREM DEFINIDAS AS PRESSÕES CORRECTAS. AS PRESSÕES DE TRACÇÃO E RETORNO FORNECIDAS PELA BOMBA HIDRÁULICA NÃO DEVEM EXCEDER AS PRESSÕES INDICADAS NA ESPECIFICAÇÃO DA FERRAMENTA DE COLOCAÇÃO.**

**IMPORTANTE: ANTES DE COLOCAR O CONJUNTO DA FERRAMENTA DE COLOCAÇÃO E A MANGUEIRA HIDRÁULICA EM FUNCIONAMENTO:**

**VERIFIQUE SE AS VÁLVULAS DE LIBERTAÇÃO DE PRESSÃO DA BOMBA FORAM DEFINIDAS DE ACORDO COM AS INSTRUÇÕES DE BOMBA E AS PRESSÕES MÁXIMAS ESPECIFICADAS PARA A FERRAMENTA DE COLOCAÇÃO E AS MANGUEIRAS.**

**VERIFIQUE SE O CONJUNTO DA MANGUEIRA É ENCHIDO COM FLUIDO HIDRÁULICO DE ACORDO COM O PROCEDIMENTO INDICADO NO MANUAL DE INSTRUÇÕES DA BOMBA 07900-01030.**

- Verifique se a fonte de alimentação de rede da bomba hidráulica está desligada.
- Ligue os acoplamentos rápidos da mangueira hidráulica da ferramenta de colocação antes de ligar o cabo de controlo eléctrico. As mangueiras e o cabo de controlo devem ser ligados por esta ordem e desligados pela ordem inversa.
- Ligue a fonte de alimentação de rede à bomba hidráulica. Aguarde 5 segundos até a bomba concluir a sequência de arranque, antes de pressionar o gatilho. Quando tudo estiver pronto, o visor LCD na bomba apresenta a mensagem "AVDEL".
- Durante a sequência de arranque, o sistema de controlo da bomba identifica qualquer operação de activação como possível avaria e impede o arranque do motor. O visor LCD apresenta a mensagem "AVARIA DO BOTÃO". Desligue a fonte de alimentação durante 10 segundos para repor o equipamento.
- Verifique se a ferramenta de colocação está posicionada abaixo dos depósitos da bomba. Pressione e liberte o gatilho da ferramenta de colocação algumas vezes a um valor aproximado do curso máximo da ferramenta para circular o fluido hidráulico e expelir o ar da ferramenta.
- Verifique o funcionamento da ferramenta. Verifique se existem fugas e certifique-se de que, no modo de inactividade, o pistão está na posição totalmente para a frente. A ferramenta de colocação é accionada.
- Desligue a fonte de alimentação de rede que liga à bomba hidráulica e depois desligue a ferramenta de colocação da bomba pela ordem inversa descrita acima.
- Em seguida, ligue a ferramenta de colocação ao conjunto da mangueira hidráulica escorvada e o cabo de controlo hidráulico. Depois ligue o conjunto da mangueira hidráulica e o cabo de controlo eléctrico à bomba.
- Insira o conjunto da ponteira na ferramenta de acordo com as instruções na ficha de dados do conjunto da ponteira.
- Ligue a fonte de alimentação de rede à bomba hidráulica, como descrito acima.
- Pressione e liberte o gatilho da ferramenta de colocação algumas vezes a um valor aproximado do curso máximo da ferramenta para circular o fluido hidráulico.
- A ferramenta de colocação está pronta a ser utilizada.

## 4. INSTRUÇÕES DE FUNCIONAMENTO

### 4.1 INSERIR UM FIXADOR AVBOLT®

Para obter mais informações sobre este fixador, consulte a ficha de dados do conjunto da ponteira, como indicado na tabela na secção 7. As informações indicadas abaixo servem apenas de referência.

- Verifique o resultado e retire o excesso de folga. (Folga é o espaço entre os componentes da junta. A folga é excessiva se não tiver hastes do pino através do anel nas quais os mordentes podem ser agarrados).
- Coloque o fixador Avbolt® no furo.
- Empurre o conjunto da ponteira para dentro do pino até a bigorna do conjunto da ponteira parar contra o anel. A ferramenta e o conjunto da ponteira devem ser colocados a um ângulo recto (90°) em relação à peça.
- Pressione o gatilho da ferramenta para iniciar o ciclo de instalação.
- Quando o movimento de avanço da bigorna do conjunto da ponteira parar e o pino se partir, liberte o gatilho. A ferramenta muda para o curso de retorno e empurra o fixador instalado. No fim do curso de retorno, os mordentes libertam parcialmente o pino gasta, que depois pode ser empurrada através dos mordentes na instalação seguinte e depois ejectada através da parte de trás da ferramenta.
- Depois do fixador colocado ser ejectado, a ferramenta e o conjunto da ponteira estão prontos para a instalação seguinte.

### 4.2 INSERIR UM FIXADOR AVDELOK®

Para obter mais informações sobre este fixador, consulte a ficha de dados do conjunto da ponteira, como indicado na tabela na secção 7. As informações indicadas abaixo servem apenas de referência.

- Verifique o resultado e retire o excesso de folga. (Folga é o espaço entre os componentes da junta. A folga é excessiva se não tiver hastes do pino através do anel nas quais os mordentes podem ser agarrados).
- Coloque o fixador Avdelok® no furo.
- Deslize o anel Avdelok® sobre o pino. (O lado biselado do anel deve estar virado para o conjunto da ponteira e para a ferramenta.)
- Empurre o conjunto da ponteira para dentro do pino até a bigorna do conjunto da ponteira parar contra o anel. A ferramenta e o conjunto da ponteira devem ser colocados a um ângulo recto (90°) em relação à peça.
- Pressione o gatilho da ferramenta para iniciar o ciclo de instalação.
- Quando o movimento de avanço da bigorna do conjunto da ponteira parar e o pino se partir, liberte o gatilho. A ferramenta muda para o curso de retorno e empurra o fixador instalado. No fim do curso de retorno, os mordentes libertam parcialmente o pino gasta, que depois pode ser empurrada através dos mordentes na instalação seguinte e depois ejectada através da parte de trás da ferramenta.
- Depois do fixador instalado ser ejectado, a ferramenta e o conjunto da ponteira estão prontos para a instalação seguinte.

**CUIDADO: NÃO TENHA TENTADO PARTIR O PINO SEM A INSTALAÇÃO DE UM ANEL PORQUE PODE FAZER COM QUE A PARTE NÃO PROTEGIDA DO ANEL AVDELOK® OU DO PINO AVBOLT® SEJA EJECTADA DA PONTEIRA COM FORÇA E A UMA ELEVADA VELOCIDADE.**

### 4.3 INSERIR UM FIXADOR NEOBOLT®

Para obter mais informações sobre este fixador, consulte a ficha de dados do conjunto da ponteira, como indicado na tabela na secção 7. As informações indicadas abaixo servem apenas de referência.

- Coloque o pino NeoBolt® no furo e empurre por completo através das camadas da junta.
- Coloque o anel NeoBolt® sobre o pino (a extremidade flangeada do anel deve estar o mais próximo possível da peça de trabalho) e rode para a direita para inserir o anel na rosca de encaixe do pino pelo menos metade de uma volta.
- Empurre o anel totalmente sobre a extremidade de extracção do pino até o anel cobrir por completo a ranhura de extracção no **pino** NeoBolt® e a extremidade de extracção entrar em contacto com o batente do anel. A ferramenta de colocação deve ser segurada na perpendicular (90°) em relação à superfície da peça de trabalho.
- Pressione e mantenha pressionado o gatilho da ferramenta para iniciar o ciclo de instalação. O anel fixa a extremidade do **pino** NeoBolt® e puxa a bigorna para cima contra o anel.
- Continue a carregar no gatilho para baixo até o anel ficar totalmente rebitado e o movimento de avanço da bigorna parar contra a flange do anel. Em seguida, o pistão da ferramenta de colocação e o anel recuam automaticamente para empurrar a bigorna do anel instalado e libertam o pino do anel.
- Liberte o gatilho.
- Depois do fixador colocado ser ejectado da bigorna, a ferramenta de colocação, o conjunto da ponteira e a bomba estão prontos para a próxima instalação.

**CUIDADO: só deve libertar o gatilho quando o ciclo da ferramenta de colocação estiver concluído e a bomba e a ferramenta tiverem mudado automaticamente para o ciclo de retorno. Se libertar o gatilho antes desta fase, o fixador NeoBolt® não vai ser colocado correctamente e vai ficar parcialmente instalado.**

## 5. ASSISTÊNCIA DA FERRAMENTA

**IMPORTANTE: LEIA AS INSTRUÇÕES DE SEGURANÇA INDICADAS NAS PÁGINAS 4 A 6. O EMPREGADOR É RESPONSÁVEL POR GARANTIR QUE AS INSTRUÇÕES DE MANUTENÇÃO DA FERRAMENTA SÃO FORNECIDAS AOS TÉCNICOS ADEQUADOS. O OPERADOR NÃO DEVE PROCEDER À MANUTENÇÃO OU REPARAÇÃO DA FERRAMENTA, A MENOS QUE TENHA RECEBIDO FORMAÇÃO ADEQUADA. A FERRAMENTA DEVE SER VERIFICADA COM FREQUÊNCIA EM TERMOS DE DANOS E AVARIA.**

### 5.1 ASSISTÊNCIA DIÁRIA

- Verifique se a ferramenta de colocação, as mangueiras e os acoplamentos apresentam fugas de óleo.
- As mangueiras e os acoplamentos gastos ou danificados devem ser substituídos.
- Verifique se o curso da ferramenta está de acordo com as especificações.
- Verifique se a tampa está colocada de maneira adequada e apertada no corpo do AV®5.
- Verifique se o deflector de haste está instalado.
- Verifique se a válvula de libertação de pressão de tracção/avanço da bomba está a funcionar correctamente.
- Verifique se o equipamento da ponteira é adequado para o rebite que pretende colocar e se está instalado correctamente.
- Verifique se a bigorna está gasta, através das marcas de desgaste no anel instalado. Isto também pode ser confirmado através dos dados instalados no catálogo de fixadores. O desgaste excessivo pode causar roturas na bigorna.

### 5.2 ASSISTÊNCIA SEMANAL

- Desmonte e limpe o conjunto da ponteira, em especial os mordentes, como descrito na ficha de dados do conjunto da ponteira.
- Verifique se há fugas de óleo na ferramenta de colocação, mangueiras e acoplamentos rápidos.

**ATENÇÃO: nunca utilize solventes ou outros produtos químicos abrasivos para limpar as peças não metálicas da ferramenta. Estes produtos químicos podem enfraquecer os materiais utilizados nestas peças.**

### 5.3 OPERAÇÕES DE ASSISTÊNCIA ANUAL/A CADA 250 000 OPERAÇÕES

- A ferramenta deve ser desmontada por completo e os componentes que apresentem desgaste ou danos devem ser substituídos por novos todos os anos ou a cada 250 000 ciclos (o que ocorrer primeiro). Todas as juntas tóricas, anéis de encosto e vedantes devem ser substituídos e lubrificados com graxa MolyKote® 111 antes da montagem.

### 5.4 KIT DE SERVIÇO

Para efectuar um serviço completo, está disponível o seguinte kit de serviço:

KIT DE SERVIÇO: 73425-99990			
NÚMERO DA PEÇA	DESCRIÇÃO	NÚMERO DA PEÇA	DESCRIÇÃO
07005-10118	Acoplamento rápido – macho	07900-01103	Guia do pistão AV®5
07005-10120	Acoplamento rápido – fêmea	07900-01104	Ferramenta do conjunto da tampa de extremidade AV®5
07900-00043	AV®5 Marca do pistão – Parte dianteira AV®5	07992-00020	Graxa: MolyLithium EP3753
07900-01101	Marca do pistão – Parte traseira	07900-00755	Graxa – MolyKote 111
07900-01102	Haste do bucim dianteiro AV®5	07900-00756	Thread Locker Loctite 243
		07002-00478	Parafuso de tampa HD M4 X 20

## 5.5 FERRAMENTAS DE ASSISTÊNCIA

As seguintes ferramentas padrão também são necessárias:

- Chave Allen: 2,0/3,0 mm
- Chave de porcas plana: 12/14/18/24/45 mm A/F
- Fita de PTFE: 10 mm
- Torno de bancada com protecções das mandíbulas, 150 mm

## 5.6 ÓLEO HIDRÁULICO

**ATENÇÃO: Utilize apenas o óleo hidráulico Enerpac® HF. Se for utilizado outro óleo, a ferramenta de colocação e a bomba podem avariar, o que resulta na anulação da garantia da ferramenta de colocação.**

O óleo hidráulico pode ser encomendado através dos seguintes números de peça.

ÓLEO HIDRÁULICO			
NÚMERO DA PEÇA	07992-00081	07992-00082	07992-00083
Número da peça Enerpac®	HF-95X	HF-95Y	HF-95T
Volume	1 litro	5 litros	20 litros
Viscosidade	32 mm <sup>2</sup> /s	32 mm <sup>2</sup> /s	32 mm <sup>2</sup> /s

## 5.7 INSTRUÇÕES DE DESMONTAGEM

**IMPORTANTE: VERIFIQUE SE A FONTE DE ALIMENTAÇÃO DE REDE DA BOMBA HIDRÁULICA ESTÁ DESLIGADA ANTES DE REMOVER O CONJUNTO DA PONTEIRA OU DESMONTAR A FERRAMENTA DE COLOCAÇÃO.**

**Antes de desmontar:**

- Desmonte os acoplamentos rápidos **9** e **10** e o cabo de controlo eléctrico **14** entre a ferramenta de colocação e o conjunto de manguelras hidráulicas.
- Retire o conjunto da ponteira da ferramenta de colocação de acordo com as instruções na ficha de dados do conjunto da ponteira.
- As substâncias potencialmente perigosas que podem acumular-se na máquina como resultado dos processos de trabalho devem ser removidas antes da manutenção.

Para efectuar uma reparação completa da ferramenta, é aconselhável desmontar a ferramenta pela ordem indicada nas páginas **14** a **17**. Depois de desmontar a ferramenta, é aconselhável que substitua todos os vedantes.

**Conjunto dos pistões da cabeça:**

- Retire o deflector **3** da tampa da extremidade **15**.
- Fixe o cabo da ferramenta num torno com mordentes suaves para que a ponteira da ferramenta fique a apontar para baixo. Insira as cavilhas na \*Ferramenta do conjunto da tampa da extremidade nos três orifícios na tampa da extremidade **15**.
- Com uma chave de porcas A/F de 45 mm, desaperte e retire a tampa da extremidade **15** do corpo **1**.
- Com uma chave de parafusos plana pequena, retire a junta tórica **28** da tampa da extremidade **15** e elimine-a.
- Ligue o \*acoplamento rápido macho sobresselente no acoplamento rápido fêmea **10** na manguelra hidráulica de retorno **24**. Isto permite libertar a pressão no lado de retorno do pistão **18** e facilita a remoção do buçim traseiro **16**. Nota: Vai ser libertado óleo hidráulico do acoplamento rápido macho
- Insira três parafusos M4 no buçim traseiro **16** e utilize-o para retirar a parte do eixo traseiro do pistão **18** e retirá-lo do corpo **1**.
- Com uma chave de parafusos plana pequena ou uma ferramenta semelhante, retire a junta tórica **31** e o anel de encosto espiral **30**, da ranhura externa no buçim traseiro **16** e elimine-o. Quando retirar os vedantes, tenha cuidado para não danificar a superfície do buçim traseiro com a chave de parafusos.
- Retire o vedante da haste **29** e o anel de selagem **33** das ranhuras internas no buçim traseiro **16** e elimine-os. Quando retirar os vedantes, tenha cuidado para não danificar a superfície do buçim traseiro com a chave de parafusos.

- Retire o anel do mancal traseiro **32** e verifique se a peça apresenta sinais de desgaste ou danos. Elimine-a, se for necessário.
- Retire a ferramenta de colocação do torno e esvazie o óleo hidráulico da parte de trás da ferramenta. Retire o \*acoplamento rápido macho sobresselente do acoplamento rápido fêmea **10** na mangueira hidráulica de retorno **24**.

Todos os números a negrito dizem respeito à montagem geral e à lista de peças nas páginas 18, 19 e 20.

- \* O kit de serviço está indicado na página 13
- Ligue o \*acoplamento rápido fêmea sobresselente ao acoplamento rápido macho **9** na mangueira hidráulica de tracção **25**. Isto permite libertar a pressão no lado de tracção do pistão **18** e facilita a remoção do pistão. Nota: Vai ser libertado óleo hidráulico do acoplamento rápido fêmea sobresselente.
- Aperte a \*marca do pistão, parte da frente, na parte da frente do pistão **18**.
- Coloque a ponteira do corpo **1** virada para cima numa bancada. Em seguida, com um martelo macio, bata no pistão **18** na direcção da parte de trás do corpo e para fora da extremidade traseira com cuidado para não danificar o diâmetro interno no corpo.
- Tenha em atenção que, quando retirar o pistão **18**, o óleo no lado de tracção do pistão **18** sai da parte da frente e de trás do corpo **1**.
- Quando retirar o pistão **18**, o bucim dianteiro **17** pode ficar preso no eixo do pistão. Se for o caso, desaperte a \*marca do pistão na parte dianteira e puxe o bucim dianteiro para fora do pistão.
- Com uma chave de parafusos plana pequena, retire o vedante do pistão **35** e os dois anel de encosto anti-extrusão **34** da ranhura externa no pistão **18** e elimine-os. Quando retirar os vedantes, tenha cuidado para não danificar a superfície do pistão com a chave de parafusos.
- Se, mesmo assim, o bucim dianteiro **17** ficar preso no corpo **1**. Coloque a ponteira em cima de uma bancada e depois empurre o bucim dianteiro da parte da frente até se libertar do encaixe no corpo. Em seguida, o bucim dianteiro pode ser retirado da traseira do corpo. Quando fizer essa acção, tenha cuidado para não danificar o furo no corpo.
- Com uma chave de parafusos plana pequena, retire a junta tórica **38** e o anel de encosto espiral **39** da ranhura externa no bucim dianteiro **17** e elimine-os. Quando retirar os vedantes, tenha cuidado para não danificar a superfície do bucim dianteiro com a chave de parafusos.
- Retire o vedante da haste **36** e o anel de selagem **40** das ranhuras internas no bucim dianteiro **17**, e elimine-os. Quando retirar os vedantes, tenha cuidado para não danificar a superfície do bucim dianteiro com a chave de parafusos.
- Retire o anel do mancal dianteiro **37** e verifique se a peça apresenta sinais de desgaste ou danos. Elimine-a, se for necessário.
- Retire o \*acoplamento rápido fêmea sobresselente do acoplamento rápido macho **9** na mangueira hidráulica de tracção **25**.

**Monte pela ordem inversa da desmontagem, tendo em atenção os seguintes pontos:**

- Limpe todos os componentes antes de proceder à montagem.
- Para facilitar a montagem dos vedantes, aplique uma camada ligeira de graxa Molykote® 111 em todos os vedantes, ranhuras dos vedantes, anéis de encosto espiral e ferramentas de montagem.
- Deslize a junta tórica **38** sobre o bucim dianteiro **17** e dentro da ranhura externa. Insira o anel de encosto espiral **39** na mesma ranhura, à frente da junta tórica instalada. Consulte a montagem geral e a lista de peças para saber qual é a orientação correcta da junta tórica e do anel de encosto espiral.
- Pressione o anel do mancal dianteiro **36** na ranhura interna dentro do bucim dianteiro **17** e depois instale o vedante da haste **36** por trás do anel do mancal dianteiro. Insira o anel de selagem **40** na ranhura dianteira do bucim dianteiro. Consulte a secção Montagem geral para garantir a orientação correcta do vedante da haste e o anel de selagem.
- Lubrifique a superfície e a extremidade dianteira do diâmetro interno do corpo **2** no qual o bucim dianteiro **17** deve ser instalado com graxa Molykote® 111.

- Lubrifique o espigão na \*ferramenta com haste do bucim dianteiro e depois coloque o bucim dianteiro **17**, primeiro a extremidade do vedante da haste **36**, totalmente sobre o espigão. Insira a \*haste do bucim dianteiro na parte traseira do corpo **1** e depois empurre o bucim dianteiro totalmente para o furo no corpo. É necessária alguma força para inserir o bucim dianteiro no corpo, por isso pode ser necessário utilizar uma prensa ou um torno. Retire a \*haste do bucim dianteiro à medida que mantém o bucim dianteiro no respectivo local.
- Lubrifique a ranhura do vedante e o diâmetro externo principal do pistão **18** com graxa Molykote® 111. Deslize o vedante do pistão **35** sobre a parte da frente do diâmetro do pistão principal e dentro da ranhura do vedante. Insira os dois anéis de encosto anti-extrusão **34** na ranhura do vedante do pistão, um em cada lado do vedante do pistão.
- Aperte a \*marca do pistão, parte da frente, na parte da frente do pistão **18**. Lubrifique a \*marca do pistão, parte da frente, eixo do pistão e o vedante do pistão **35** com graxa Molykote® 111.

Todos os números a negrito dizem respeito à montagem geral e à lista de peças nas páginas 18, 19 e 20.

\* O kit de serviço está indicado na página 13

- Aparafuse a \*guia do pistão por completo na parte traseira do corpo **1**. Lubrifique os furos no corpo e na \*guia do pistão com graxa Molykote® 111.
- Ligue o \*acoplamento rápido fêmea sobresselente ao acoplamento rápido macho **9** na mangueira hidráulica de tracção **25**. Isto permite a libertação de ar do pistão do lado de tracção **18** quando inserir o pistão.
- Insira o pistão montado **18** na parte traseira do corpo **1** e através do bucim dianteiro montado **17**. Empurre o pistão totalmente para a frente até encostar no bucim dianteiro. O óleo hidráulico vai ser libertado da mangueira hidráulica, lado de tracção **25**.
- Retire o \*acoplamento rápido fêmea sobresselente do acoplamento rápido macho **9** na mangueira hidráulica de tracção **25**. Retire a \*guia do pistão da parte traseira do corpo **1**.
- Deslize a junta tórica **31** sobre o bucim traseiro **16** e dentro da ranhura externa. Insira o anel de encosto espiral **30** na mesma ranhura, por trás da junta tórica instalada. Consulte a montagem geral e a lista de peças para saber qual é a orientação correcta da junta tórica e do anel de encosto espiral.
- Pressione o anel do mancal traseiro **32** na ranhura interna dentro do bucim traseiro **16** e depois instale o vedante da haste **29** por trás do anel do mancal traseiro. Insira o anel de selagem **33** na ranhura traseira do bucim traseiro. Consulte a secção Montagem geral para garantir a orientação correcta do vedante da haste e o anel de selagem.
- Fixe o cabo da ferramenta num torno com mordentes suaves para que a ponteira da ferramenta fique a apontar para baixo.
- Lubrifique a superfície e a extremidade dianteira do diâmetro interno do corpo **1** no qual o bucim traseiro **16** deve ser instalado com graxa Molykote® 111. Lubrifique o eixo do pistão traseiro **18** com graxa Molykote® 111.
- Insira a \*marca do pistão– Parte traseira no eixo do pistão traseiro **18** e lubrifique com graxa Molykote® 111.
- Encha a parte traseira do corpo **1** com óleo hidráulico Enerpac® HF. O nível de óleo deve estar acima do furo de entrada traseira para dentro do corpo.
- Ligue o \*acoplamento rápido macho sobresselente no acoplamento rápido fêmea **10** na mangueira hidráulica de retorno **24**. Isto permite a libertação do lado de retorno do pistão **18** quando inserir o bucim traseiro **16**. Nota: Pode ser libertado óleo hidráulico do acoplamento rápido fêmea sobresselente.
- Coloque o bucim traseiro **16** sobre a \*marca do pistão– Parte traseira. Em seguida, empurre o bucim traseiro sobre o eixo do pistão **18** e para dentro da parte traseira do corpo **1**. Empurre o bucim traseiro para dentro do corpo até ficarem expostas as roscas internas na parte traseira do corpo. Tenha cuidado para não danificar a junta tórica **31** e o anel de encosto espiral **30** nas roscas quando inserir o bucim traseiro.
- Lubrifique a rosca interna no corpo **1** e a rosca externa na tampa da extremidade **15** com graxa MolyLithium.
- Aperte a tampa da extremidade **15** totalmente na parte traseira do corpo **1** utilizando a \*ferramenta de montagem da tampa da extremidade. Ao fazê-lo, o bucim traseiro **16** é pressionado para a respectiva posição no corpo **1** e é libertada uma pequena quantidade de óleo da mangueira hidráulica de retorno **24**.

- Retire o \*acoplamento rápido macho sobresselente do acoplamento rápido fêmea **11** na mangueira hidráulica de retorno **24**.
- Retire o deflector **3** da tampa da extremidade **15**.
- Ligue a ferramenta de colocação, como descrito em Preparação para utilização na página **10**.

#### Conjunto das mangueiras:

- Retire os dois parafusos **8** da braçadeira de fixação da mangueira **13** com uma chave Allen de 3,0 mm. Retire a braçadeira de fixação da mangueira e a inserção de fixação 26 da manga de protecção **27** e das mangueiras hidráulicas, lado de retorno **24** e de tracção **25**.
- Com uma chave de parafusos plana pequena, retire a pega gator **7** das moldagens do cabo **11** e **12**. Puxe a pega gator sobre a mangueira de protecção **27**, as mangueiras hidráulicas do lado de retorno **24** e do lado de tracção **25** e retire-a.
- Com uma chave Allen de 3,0 mm (e uma chave de porcas de 7,0 mm na porca inferior) desaperte os quatro parafusos **20** que unem as moldagens de pega **11** e **12** e retire-os.

Todos os números a negrito dizem respeito à montagem geral e à lista de peças nas páginas 18, 19 e 20.

\* O kit de serviço está indicado na página 13

- O gatilho **6** está soldado no cabo de controlo. Retire este conjunto das pegas **11** e **12**. O buçim **22** faz parte deste conjunto.
- Corte a braçadeira de cabos **43** e deslize para trás a manga de protecção **27** para expor os acessórios nas mangueiras hidráulicas **24** e **25**. As mangueiras hidráulicas podem ser retiradas do corpo **1** com chaves de porcas de 12 mm e 14 mm.
- Os acoplamentos rápidos, macho **9** e fêmea **10** podem ser retirados das mangueiras hidráulicas **24** e **25** com chaves de porcas de 18 mm e 24 mm.

#### Monte pela ordem inversa da desmontagem, tendo em atenção os seguintes pontos:

- Antes da montagem, limpe todas as roscas nos acoplamentos rápidos, macho **9** e fêmea **10** e as mangueiras hidráulicas de retorno **24** e de tracção **25**. Em seguida, aplique duas ou três camadas de fita de PTFE de 10 mm nas roscas macho nas duas mangueiras hidráulicas.
- Depois de montada, ligue a ferramenta de acordo com as instruções indicadas na página 10.

### 5.8 PROTECÇÃO DO AMBIENTE

- Assegure a conformidade com a regulamentação de eliminação aplicáveis. Deite todos os resíduos numa instalação ou depósito de resíduos aprovado para não expor os técnicos e o ambiente a riscos.

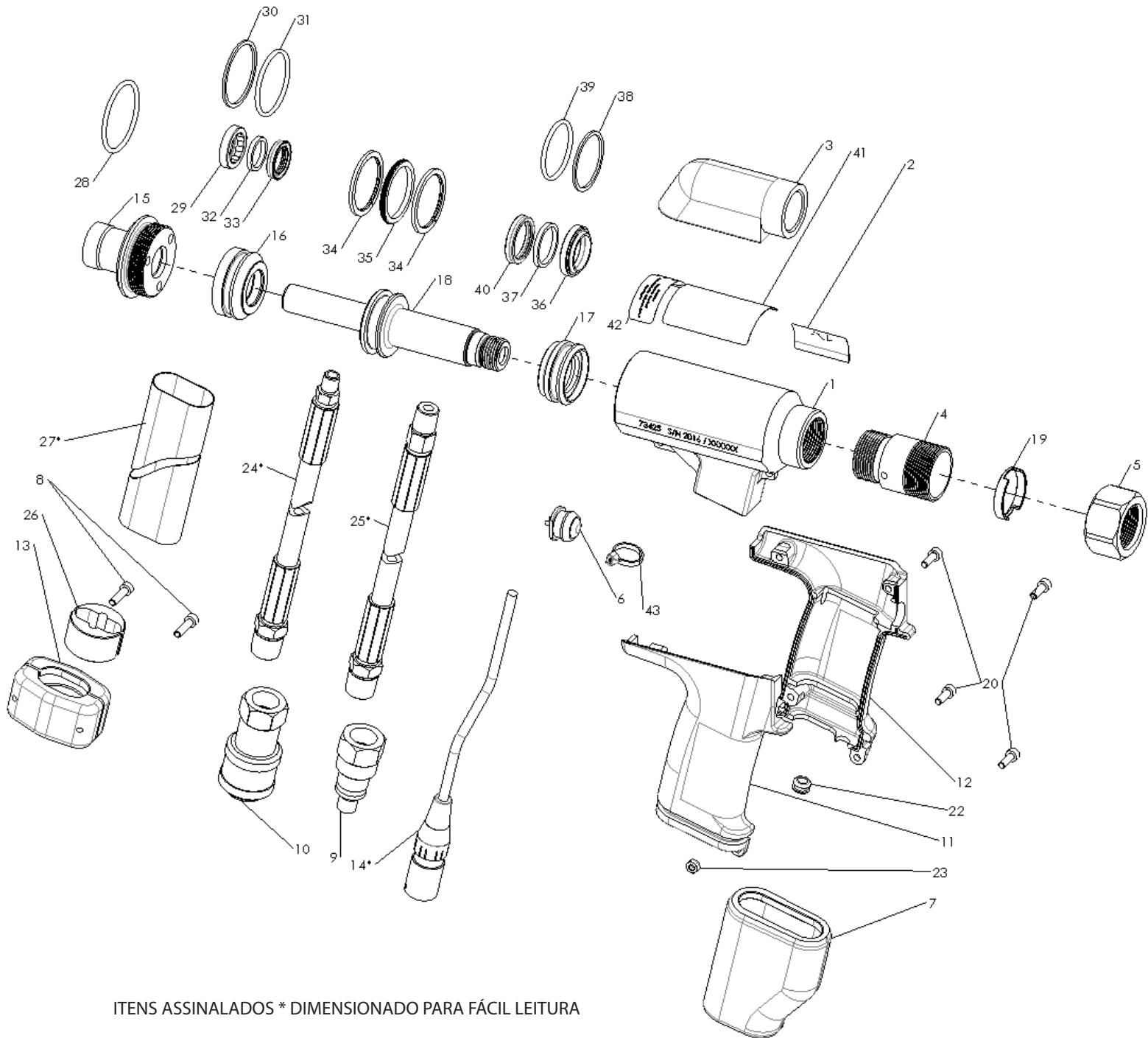
Todos os números a **negrito** dizem respeito à montagem geral e à lista de peças nas páginas 18, 19 e 20.

\* O kit de serviço está indicado na página 13.

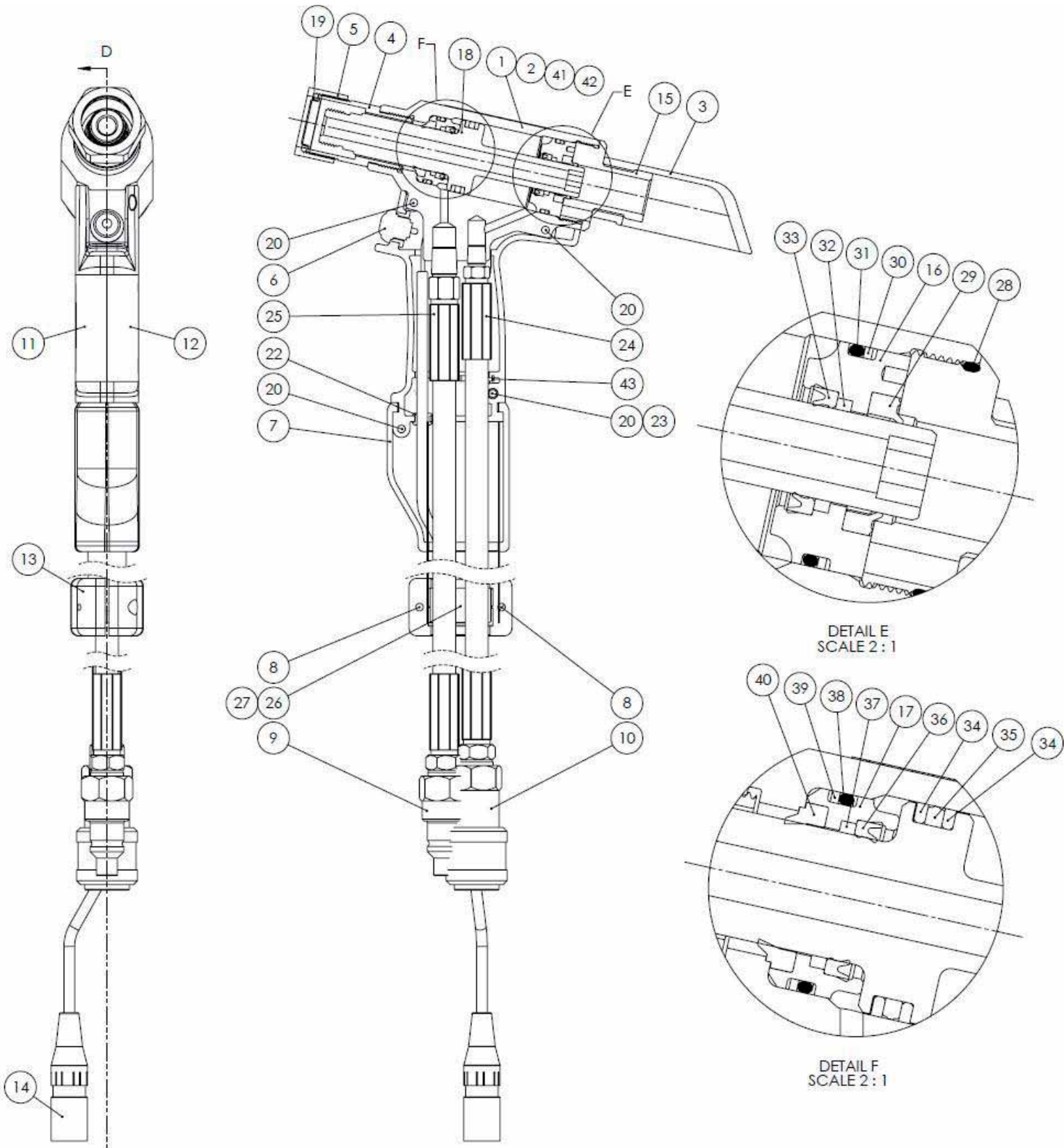


## 6. MONTAGEM GERAL E LISTA DE PEÇAS

### 6.1 MONTAGEM GERAL



ITENS ASSINALADOS \* DIMENSIONADO PARA FÁCIL LEITURA



## 6.2 LISTA DE PEÇAS

LISTA DE PEÇAS 73425-02000			
ITEM N.º	NÚMERO DA PEÇA	DESCRIÇÃO	QTD.
1	73425-02003	Cabeça AV®5	1
2	73425-02014	Etiqueta AV®5	1
3	73200-02030	Deflector	1
4	73200-02041	Adaptador	1
5	73200-02042	Porca de fixação	1
6	73425-02013	Conjunto do gatilho	1
7	73430-02020	Pega gator	1
8	07001-00686	Parafuso de tampa M4	2
9	07005-10118	Acoplamento rápido, macho	1
10	07005-10120	Acoplamento rápido, fêmea	1
11	73425-02009	Moldagem da pega, esquerda	1
12	73425-02015	Moldagem da pega, direita	1
13	73430-02023	Braçadeira de fixação de mangueira	1
14	07007-02105	Cabo de controlo	1
15	73425-02007	Tampa da extremidade	1
16	73425-02006	Bucim traseiro	1
17	73425-02005	Bucim dianteiro	1
18	73425-02011	Pistão da cabeça	1
19	73200-02043	Anel adaptador	1
20	07001-00688	Parafuso de tampa M4	4
22	07007-02140	Ilhó de borracha	1
23	07002-00134	Porca M4	1
24	07005-10119	Mangueira hidráulica de retorno	1
25	07005-10117	Mangueira hidráulica, tracção	1
26	73430-02024	Inserção de fixação	1
27	07005-10121	Manga de protecção	0,4 m
28	07003-00308	Junta tórica	1
29	07003-00442	Anel de selagem	1
30	07003-00527	Anel de encosto espiral	1
31	07003-00526	Junta tórica	1
32	73430-02010	Anel do mancal traseiro	1
33	07003-00441	Vedação da haste	1
34	07003-00521	Anel de encosto anti-extrusão	2
35	07003-00520	Vedante do pistão	1
36	07003-00523	Vedação da haste	1
37	73200-03104	Anel do mancal	1
38	07003-00524	Junta tórica	1
39	07003-00525	Anel de encosto espiral	1
40	07003-00522	Anel de selagem	1
41	73425-02016	Etiqueta de segurança	1
42	07007-01504	Etiqueta CE	1
43	07007-02032	Braçadeira de cabos	1

## 7. DADOS DE SEGURANÇA

### 7.1 ÓLEO HIDRÁULICO Enerpac® HF: DADOS DE SEGURANÇA

#### PRIMEIROS SOCORROS

##### PELE:

Na eventualidade de contacto breve ou ocasional, não causa danos na pele, mas o contacto prolongado ou a exposição podem causar dermatite. Lave bem a pele com sabão e água assim que possível. Retire o vestuário fortemente contaminado e lave a pele em contacto com a roupa.

##### ORAL:

Não causa danos se for ingerido em pequenas doses, mas uma maior quantidade pode causar náuseas e diarreia. Se ocorrer contaminação na boca, lave bem com água. Excepto por acção deliberada, é pouco provável a ingestão de grandes quantidades do produto. Se isto ocorrer, não induza o vômito; contacte um médico. Leve a pessoa para o centro de saúde mais próximo.

##### OLHOS:

Causa apenas uma sensação de ardor temporária ou vermelhidão se houver um contacto ocular accidental. Lave bem os olhos com uma quantidade abundante de água, devendo manter as pálpebras abertas. Contacte um médico se a dor ou vermelhidão piorar ou persistir.

##### ACONSELHAMENTO MÉDICO:

Em geral, o tratamento deve ser sintomático e com o intuito de aliviar quaisquer efeitos.

Nota: Aplicações a alta pressão:

Injecções através da pele, resultantes do contacto com o produto a alta pressão, significam uma emergência médica grave. De início, os ferimentos podem não parecer graves, mas após algumas horas, os tecidos parecem ficar inchados, descolorados e pode sentir muitas dores, com necrose subcutânea extensa.

Deve ser sujeito a uma intervenção cirúrgica imediata. É necessário o desbridamento minucioso e extensivo da ferida e do tecido subjacente para minimizar a perda de tecido ou limitar danos permanentes. Tenha em atenção que a pressão elevada pode obrigar a distâncias consideráveis do produto em tecidos finos.

#### ELIMINAÇÃO

Remova todos os derramamentos com material absorvente inerte. Ventile a área derramada. Coloque os materiais contaminados num recipiente descartável e elimine em conformidade com os regulamentos locais.

#### FOGO

PONTO DE IGNIÇÃO: 200 °C.

Apague com pó químico, espuma ou dióxido de carbono. Não entre num espaço confinado sem um aparelho respiratório autónomo.

#### MANUSEAMENTO

Use creme ou luvas resistentes a óleo.

#### ARMAZENAMENTO

Ao abrigo e consistente com os regulamentos locais sobre material inflamável.

### 7.2 GRAXA MOLYLITHIUM EP 3753: DADOS DE SEGURANÇA

A graxa pode ser encomendada como um único artigo, o número de peça está indicado no kit de serviço na página 12.

#### PRIMEIROS SOCORROS

##### PELE:

Uma vez que a graxa é totalmente à prova de água, a melhor maneira de removê-la é com um produto de limpeza da pele emulsionante.

##### INGESTÃO:

Certifique-se de que a pessoa bebe 30 ml de leite de magnésia, de preferência num copo de leite.

##### OLHOS:

Irritante, mas não nocivo. Irrigue com água e contacte um médico.

#### FOGO

PONTO DE IGNIÇÃO: Superior a 220 °C.

Não classificado como inflamável.

Meio adequado de extinção: CO<sub>2</sub>, halon ou pulverização de água, se aplicado por um operador experiente.

#### AMBIENTE

Recolha para incineração ou eliminação num local aprovado.

#### MANUSEAMENTO

Use creme ou luvas resistentes a óleo

#### ARMAZENAMENTO

Mantenha afastado de calor e agentes oxidantes.

### 7.3 GRAXA MOLYKOTE® 111: DADOS DE SEGURANÇA

A graxa pode ser encomendada como um único artigo, o número de peça está indicado no kit de serviço na página 12.

#### **PRIMEIROS SOCORROS**

PELE:

Não são necessários primeiros socorros.

INGESTÃO:

Não são necessários primeiros socorros.

OLHOS:

Não são necessários primeiros socorros.

INALAÇÃO:

Não são necessários primeiros socorros.

#### **FOGO**

PONTO DE IGNIÇÃO: Superior a 101,1 °C. (em câmara fechada)

Propriedades explosivas: Não

Meio adequado de extinção: Espuma de dióxido de carbono, pó seco ou água atomizada. A água pode ser utilizada para arrefecer recipientes expostos a fogo.

#### **AMBIENTE**

Não se prevêem efeitos adversos.

#### **MANUSEAMENTO**

É recomendável uma ventilação geral. Evite o contacto com os olhos.

#### **ARMAZENAMENTO**

Não armazene com agentes oxidantes. Mantenha o recipiente fechado e armazene-o num local afastado de água ou humidade.

## 8. DIAGNÓSTICO DE AVARIAS

SINTOMA	CAUSA POSSÍVEL	SOLUÇÃO	PÁGINA DE REF.
A ferramenta de colocação não funciona	A bomba não funciona	Verifique a fonte de alimentação da bomba e consulte o manual de instruções da bomba	
	Acoplamentos rápidos defeituosos <b>9</b> e <b>10</b>	Substituir acoplamentos rápidos	19
	O cabo de controlo com gatilho <b>14</b> não está ligado correctamente	Verifique se o cabo de controlo está ligado correctamente à bomba e à ferramenta de colocação	10
	Gatilho <b>6</b> ou cabo de controlo <b>14</b> danificado	Substitua o gatilho e/ou cabo de controlo	19
O gatilho <b>7</b> não funciona	Bomba no modo local	Consulte o manual de instruções da bomba	
	Gatilho <b>6</b> , cabo de controlo <b>14</b> ou conector danificado	Substitua o gatilho e/ou cabo de controlo	19
A bomba funciona, mas a ferramenta de colocação não funciona	As manguerias hidráulicas não estão ligadas	Verifique se as ligações da bomba e da ferramenta de colocação estão correctas	10
	Nível de óleo baixo	Verifique se a ferramenta de colocação está cheia com óleo e escorvada correctamente Consulte o manual de instruções da bomba	10
	Fuga de óleo externa na ferramenta de colocação	Inspeccione a ferramenta de colocação: substitua os componentes gastos ou danificados	14 - 17
	Fuga de óleo externa na conjunto das manguerias	Inspeccione o conjunto das manguerias: verifique se as ligações das manguerias estão apertadas e/ou substitua os conectores das manguerias danificadas	19
	Fuga de óleo interna/externa na bomba	Consulte o manual de instruções da bomba	
A ferramenta de colocação funciona de maneira errática	Fornecimento de pressão hidráulico fraco ou errático	Consulte o manual de instruções da bomba	
	Os vedantes hidráulicos da ferramenta de colocação estão gastos ou danificados	Inspeccione a ferramenta de colocação: substitua os vedantes gastos ou danificados	14 - 17
	As superfícies vedantes hidráulicas da ferramenta de colocação estão gastos ou danificados	Inspeccione a ferramenta de colocação: substitua os componentes gastos ou danificados	14 - 17
	Fuga de óleo interna/externa na bomba	Consulte o manual de instruções da bomba	
A bomba atingiu a pressão máxima, mas o pino não se parte	A carga de rotura é superior à capacidade da ferramenta de colocação à pressão total	Consulte a especificação da ferramenta de colocação	7
	O fluxo para a ferramenta de colocação está bloqueado	Verifique se os acoplamentos rápidos <b>9</b> e <b>10</b> estão totalmente encaixados	10
	A válvula de libertação da pressão da bomba está definida para um valor demasiado baixo	Regule as definições da válvula de libertação de pressão, consulte o manual de instruções da bomba	
	As ranhuras de tracção no pino do fixador estão descarnadas	Verifique o sintoma na página 24	11
	Funcionamento incorrecto da ferramenta		11

SINTOMA	CAUSA POSSÍVEL	SOLUÇÃO	PÁGINA DE REF.
O pistão da ferramenta de colocação <b>1</b> não recua	O fluxo de retorno está restringido ou bloqueado	Verifique se os acoplamentos rápidos <b>9</b> e <b>10</b> estão totalmente encaixados e/ou avariados	10
	As mangueiras hidráulicas não estão ligadas	Verifique se as ligações da bomba e da ferramenta de colocação estão correctas	10
	Avaria na válvula da bomba	Consulte o manual de instruções da bomba	
A ferramenta de colocação não ejecta o anel da bigorna	A definição do temporizador de retorno da bomba está incorrecta, a definição é demasiado baixa	Regule o temporizador de retorno para definição recomendada, consulte o manual de instruções da bomba	
	A válvula de libertação de retorno da bomba está definida para um valor demasiado baixo	Regule a válvula de libertação de pressão de retorno, consulte o manual de instruções da bomba	
	Fornecimento de pressão hidráulico fraco ou errático	Consulte o manual de instruções da bomba	
	Os vedantes hidráulicos da ferramenta de colocação estão gastos ou danificados	Inspeccione a ferramenta de colocação: substitua os vedantes gastos ou danificados	14 - 17
	As superfícies vedantes hidráulicas da ferramenta de colocação estão gastos ou danificados	Inspeccione a ferramenta de colocação: substitua os componentes gastos ou danificados	14 - 17
	Fuga de óleo interna/externa na bomba	Consulte o manual de instruções da bomba	
As ranhuras de tracção no pino do fixador ficam descarnadas durante a instalação	O operador não está a empurrar a ponteira por completo no pino do fixador antes de utilizar a ferramenta	Indique ao operador qual é o método de instalação correcto	11
	Comprimento do fixador/comprimento de fixação incorrecto	Utilize o fixador correcto	
	Partes dos mordentes gastos ou danificados	Verifique e substitua o conjuntos de mordentes, consulte a ficha de dados do equipamento da ponteira	11
	Resíduos nos segmentos dos mordentes e/ou nas ranhuras do pino	Limpe os segmentos dos mordentes: consulte a ficha de dados do equipamento da ponteira	
	Folga excessiva na chapa	Feche a folga entre as chapas	11
O anel Avdelok® ou Avbolt® não foi rebitado totalmente	Funcionamento incorrecto da ferramenta		11
	Furo da bigorna gasto	Verifique e substitua a bigorna, consulte a ficha de dados do equipamento da ponteira	
O pino não é libertado do equipamento da ponteira	Montagem incorrecta do equipamento da ponteira	Consulte a ficha de dados do equipamento da ponteira	
A ferramenta de colocação e o óleo hidráulico sai quente	Restrição na linha hidráulica	Verifique os acoplamentos rápidos hidráulicos <b>9</b> e <b>10</b> e substitua-os se for necessário	19
	Temperatura ambiente elevada		
Fuga de óleo nos acoplamentos rápidos hidráulicos <b>9</b> e <b>10</b>	Junta tórica gasta no corpo do acoplamento rápido macho <b>9</b>	Substitua a junta tórica e o anel de encosto no acoplamento rápido <b>9</b>	19

Todos os números a **negrito** dizem respeito à montagem geral e à lista de peças nas páginas 18, 19 e 20.

\* O kit de serviço está indicado na página 13.



## 9. DECLARAÇÃO CE DE CONFORMIDADE

Nós, a **Stanley Engineered Fastening, Stanley House, Works Road, Letchworth Garden City, Hertfordshire, SG6 1JY, REINO UNIDO**, declaramos sob nossa inteira responsabilidade que o produto:

**Descrição:** **FERRAMENTA HIDROELÉCTRICA**

**Modelo:** **FERRAMENTA ESTRUTURAL AV® 5 – 73425-02000**

ao qual esta declaração se refere está em conformidade com as seguintes normas harmonizadas:

ISO 12100:2010	EN ISO 3744:2010
EN ISO 11202:2010	EN ISO 11148-1:2011
EN ISO 4413:2010	EN ISO 20643:2008+A1:2012
EN ISO 4414:2010	ES100118-rev. 17:2017
EN ISO 28927-5:2009+A1:2015	

A documentação técnica é compilada de acordo com o Anexo 1, secção 1.7.4.1, em conformidade com a seguinte Directiva: 2006/42/CE Directiva “**Máquinas**” (Instrumentos Estatutários 2008 N.º 1597 - Fornecimento de regulamentos (de segurança) sobre máquinas).

O abaixo assinado faz esta declaração em nome da STANLEY Engineered Fastening



**A. K. Seewraj**

**Director de Engenharia, Reino Unido**

Avdel UK Limited, Stanley House, Works Road, Letchworth Garden City, Hertfordshire, SG6 1JY REINO UNIDO

**Local de emissão:** **Letchworth Garden City, Reino Unido**

**Data de emissão:** **24-08-2021**

O abaixo assinado é responsável pela compilação do ficheiro técnico dos produtos vendidos na União Europeia e faz esta declaração em nome da Stanley Engineered Fastening.

**Matthias Appel**

**Responsável pela Equipa de Documentação Técnica**

Stanley Engineered Fastening, Tucker GmbH, Max-Eyth-Str.1, 35394 Gießen, Alemanha



Esta máquina está em conformidade com a Directiva “Máquinas” 2006/42/CE

**STANLEY**  
Engineered Fastening



## 10. DECLARAÇÃO DE CONFORMIDADE DO REINO UNIDO

Nós, a **Stanley Engineered Fastening, Stanley House, Works Road, Letchworth Garden City, Hertfordshire, SG6 1JY, REINO UNIDO**, declaramos sob nossa inteira responsabilidade que o produto:

**Descrição:** FERRAMENTA HIDROELÉCTRICA

**Modelo:** FERRAMENTA ESTRUTURAL AV<sup>®</sup> 5 – 73425-02000

ao qual esta declaração se refere está em conformidade com as seguintes normas harmonizadas:

ISO 12100:2010	EN ISO 3744:2010
EN ISO 11202:2010	EN ISO 11148-1:2011
EN ISO 4413:2010	EN ISO 20643:2008+A1:2012
EN ISO 4414:2010	ES100118-rev. 17:2017
EN ISO 28927-5:2009+A1:2015	

A documentação técnica é compilada de acordo com o Fornecimento de regulamentos (de segurança) sobre máquinas de 2008, S.I. 2008/1597 (tal como alterado).

O abaixo assinado faz esta declaração em nome da STANLEY Engineered Fastening



**A. K. Seewraj**

**Director de Engenharia, Reino Unido**

Avdel UK Limited, Stanley House, Works Road, Letchworth Garden City, Hertfordshire,  
SG6 1JY REINO UNIDO

**Local de emissão:** Letchworth Garden City, Reino Unido

**Data de emissão:** 24-08-2021



Esta máquina está em conformidade com o  
Fornecimento de regras (de segurança) sobre  
máquinas de 2008,  
S.I. 2008/1597 (tal como alterado)

## 11. PROTEJA O SEU INVESTIMENTO!

### **GARANTIA DA FERRAMENTA DE REBITES CEGOS DA Stanley® Engineered Fastening**

A STANLEY® Engineered Fastening garante que todas as ferramentas eléctricas foram fabricadas cuidadosamente e que estão isentas de defeitos no material e mão-de-obra sob utilização e serviço normais por um período de um (1) ano.

Esta garantia aplica-se ao comprador da ferramenta apenas para utilização original.

#### **Exclusões:**

##### **Desgaste normal.**

A manutenção periódica, a reparação e as peças sobresselentes sujeitas a desgaste normal estão excluídas da cobertura.

##### **Abuso e uso indevido.**

Os defeitos ou danos que resultem do funcionamento incorrecto, armazenamento, uso indevido ou abuso, como os danos físicos, estão excluídos da cobertura.

##### **Assistência ou modificação não autorizadas.**

Os defeitos ou danos que resultem da assistência, ajuste de teste, instalação, manutenção, alteração ou modificação por qualquer forma por qualquer pessoa que não seja a STANLEY® Engineered Fastening, ou os respectivos centros de assistência autorizados, estão excluídos da cobertura.

Todas as outras garantias, expressas ou implícitas, incluindo quaisquer garantias de mercantibilidade ou adequação à finalidade estão excluídas.

Se esta ferramenta não estiver em conformidade com a garantia, envie a ferramenta de imediato para o nosso centro de assistência autorizado mais próximo de si. Para obter uma lista dos centros de assistência autorizados da STANLEY® Engineered Fastening nos E.U.A. ou no Canadá, contacte-nos através do nosso número gratuito (877)364 2781.

Se não estiver nos E.U.A. ou no Canadá, visite o nosso **Website [www.StanleyEngineeredFastening.com](http://www.StanleyEngineeredFastening.com)** para encontrar o centro mais próximo da STANLEY Engineered Fastening.

A STANLEY Engineered Fastening irá substituir gratuitamente, quaisquer peças que considerarmos defeituosas devido a material ou mão-de-obra defeituosa e devolver a ferramenta pré-paga. Isto representa a nossa única obrigação no que respeita a esta garantia.

Em nenhuma circunstância a STANLEY Engineered Fastening será responsável por quaisquer danos consequenciais ou especiais resultantes da compra ou utilização desta ferramenta.

#### **Registe online a sua ferramenta para rebites cegos.**

Para registar a sua garantia online, visite -nos em

<https://www.stanleyengineeredfastening.com/support/warranty-registration-form>

Obrigado por ter escolhido uma ferramenta da marca de tecnologia de montagem Stanley da STANLEY® Engineered Fastening.



**STANLEY Engineered Fastening**  
 STANLEY House, Works Road  
 Letchworth Garden City  
 Hertfordshire, United Kingdom  
 SG6 1JY  
 Tel: +44 1582 900 000  
 Fax: +44 1582 900 001



## Holding your world together®

Find your closest STANLEY Engineered Fastening location on  
[www.stanleyEngineeredFastening.com/contact](http://www.stanleyEngineeredFastening.com/contact)  
 For an authorized distributor nearby please check  
[www.stanleyEngineeredFastening.com/econtact/distributors](http://www.stanleyEngineeredFastening.com/econtact/distributors)

Manual Number	Issue	C/N
07900-01025	B	21/075

## STANLEY

Assembly Technologies

Stanley Engineered Fastening — a division of Stanley Black and Decker — is the global leader in precision fastening and assembly solutions. Our industry-leading brands, Avdel®, Integra™, Nelson®, Optia™, POP®, Stanley® Assembly Technologies, and Tucker®, elevate what our customers create. Backed by a team of passionate and responsive problem-solvers, we empower engineers who are changing the world.

### STANLEY ENGINEERED FASTENING FAMILY OF BRANDS

AVDEL

INTEGRA

NELSON

OPTIA

POP

STANLEY  
 Assembly Technologies

TUCKER