

STANLEY[®]
Engineered Fastening



Accessories Manual



NB08PT-18 Blind nut tool Battery Power Tool

STANLEY[®]
Assembly Technologies

Original Instruction

©2021 Stanley Black & Decker

All rights reserved.

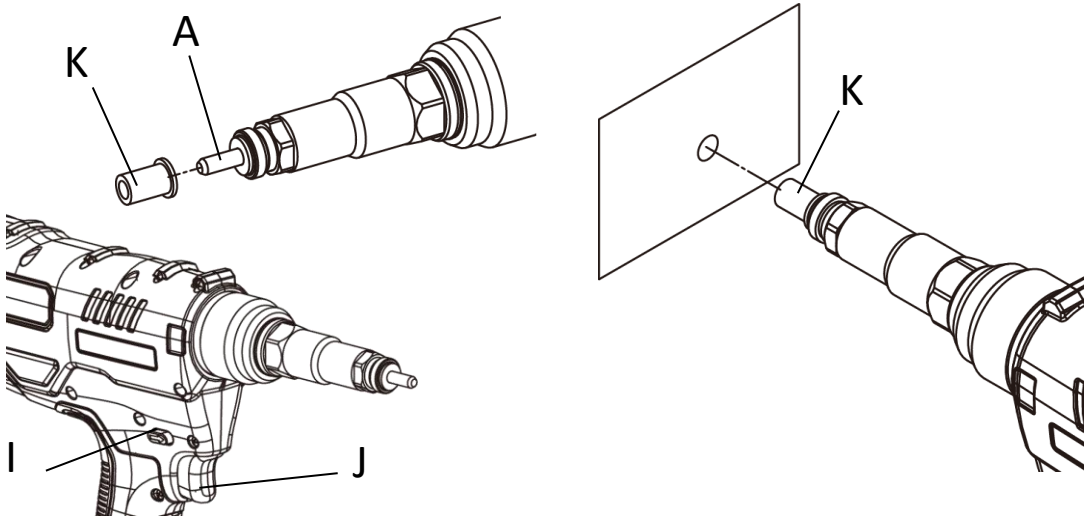
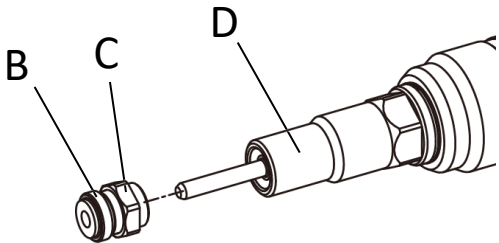
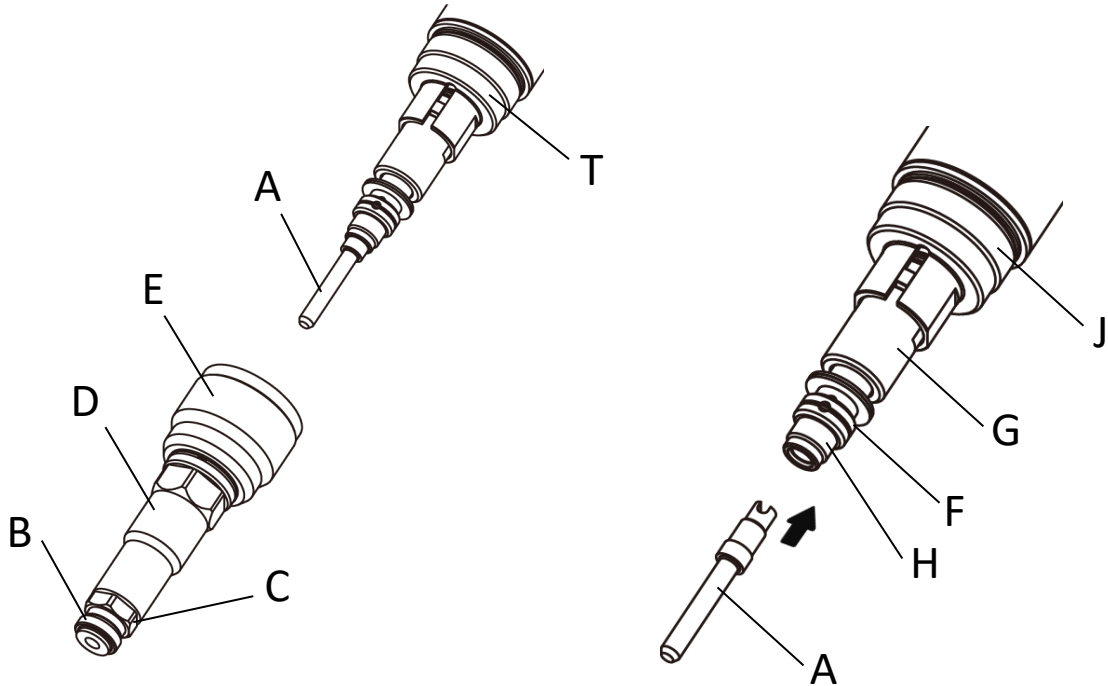
The information provided may not be reproduced and/or made public in any way and through any means (electronically or mechanically) without prior explicit and written permission from STANLEY Engineered Fastening. The information provided is based on the data known at the moment of the introduction of this product. STANLEY Engineered Fastening pursues a policy of continuous product improvement and therefore the products may be subject to change. The information provided is applicable to the product as delivered by STANLEY Engineered Fastening. Therefore, STANLEY Engineered Fastening cannot be held liable for any damage resulting from deviations from the original specifications of the product.

The information available has been composed with the utmost care. However, STANLEY Engineered Fastening will not accept any liability with respect to any faults in the information nor for the consequences thereof. STANLEY Engineered Fastening will not accept any liability for damage resulting from activities carried out by third parties. The working names, trade names, registered trademarks, etc. used by STANLEY Engineered Fastening should not be considered as being free, pursuant to the legislation with respect to the protection of trademarks.

STANLEY Engineered Fastening policy is one of continuous product development and improvement and we reserve the right to change the specification of any product without prior notice.

Nose Assemblies

Nose equipment varies according to the blind insert nut type being installed. Each nose assembly represents a unique set of components which can be ordered individually. Component numbers refer to the illustration below. We recommend maintaining some stock of spares as items will need regular replacement if worn. Read the Service Manual for nose assembly instructions.



MAIN COMPONENTS LIST

A	Mandrel	G	Spin Pull Head Case
B	Nosepiece	H	Spin Pull Head
C	Lock Nut	I	FR Lever
D	Nose Housing	J	Mast Housing
E	Nose Housing Nut	K	Nut
F	Mandrel Lock		

*for complete tool explosion and Bill of Material please see service manual

ACCESSORIES CHANGING INSTRUCTIONS



Always wear approved hearing and eye protections at all times when using installation equipment.



WARNING: Before adjusting tool, always remove the battery pack.

Mounting the mandrel and nosepiece

- Select the correct mandrel (A) and nosepiece (B) for the blind nut (K) to be installed.
- Loosen the nose housing nut (E), Remove the nose housing (D).
- Press the mandrel lock (F), Loosen and remove the mandrel (A).
- Screw the correct mandrel (A) into Spin Pull Head (H) while pressing the mandrel lock (F). Lock the mandrel (A)
- Loosen the lock nut (C) and unscrew and remove the nosepiece (B) and Lock nut (C)
- Screw the Lock nut (C) onto the correct nosepiece (B) and screw the nosepiece (B) into the nose housing (D) lightly.
- Adjust the position of the nosepiece (B) according to the blind nut (K) to be installed. The length of mandrel protruding from the top of blind nut (K) to be 0-0.5mm.
- Tighten the lock nut (C) by a spanner properly.

PLACING SPECIFICATIONS

Nut Type	PLACING CAPACITY					
	NB08PT-18					
	M3	M4	M5	M6	M8	M10
Eurosert®	●	●	●	●	●	●
Thin Sheet Nutsert®	●	●	●	●	●	
DK/DL	●	●	●	●	●	●
Euro Hexsert®/Hexsert®	●	●	●	●	●	
High Strength Hexsert®				●	●	
Squaresert®			●	●	●	
Standard Nut (Steel)	●	●	●	●	●	●
Standard Nut (Aluminum)	●	●	●	●	●	●
Standard Nut (Stainless steel)	●	●	●	●	●	
Closed End Nut	●	●	●	●	●	
Hexagonal Nut	●	●	●	●	●	●
All Hexagonal Nut				●		
Tetra Nut		●	●	●	●	
Knurled Nut		●	●	●	●	
Soft Set Nut		●	●	●		
Slit Nut				●		
Pipe Nut				●		
HB Bolt				●		
HB Bolt for round pipe				●		

Note:

Force control can be used for the following sizes only.

Aluminum M6 or more (Except for Slit Nut).

Steel M5 or more.

Stainless steel M5 or more.

MANDREL AND NOSEPIECE



WARNING: When selecting mandrel and nosepiece, always use the compatible parts. Using different parts may cause nut tightening failure or tool failure.

Note:

1. Refer Table B for Thin sheet Nutsert®.
2. Refer Table C for Thin head Hexsert®.

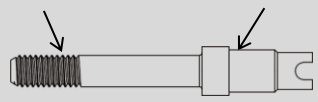
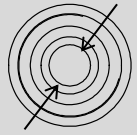
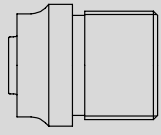
Table A Mandrel and Nosepiece compatible chart * : Option parts

Nut Size	MANDREL		NOSEPIECE	
	Part No.	O.D	Part No	I.D
M3	PNT600-01-3*	φ3	PNT600-02-3*	φ4.0
M4	PNT600-01-4	φ4	PNT600-02-4	φ4.5
M5	PNT600-01-5P	φ5	PNT600-02-5	φ5.1
M6	PNT600-01-6P	φ6	PNT600-02-6	φ6.1
M8	PNT600-01-8 and PNT600-01-8M	φ8	PNT600-02-8	φ8.1
M10	PNT600-01-10A*	φ10	PNT600-02-10*	φ10.1
6-32 UNC	PNT600-01-632*	φ3.5	PNT600-02-632*	φ3.6
8-32 UNC	PNT600-01-832*	φ4.1	PNT600-02-832*	φ4.3
10-24 UNC	PNT600-01-1024*	φ4.8	PNT600-02-5	φ5.1
10-32 UNF	PNT600-01-1032*	φ4.8	PNT600-02-5	φ5.1

Table B Thin sheet Nutsert® compatible chart * : Option parts

Nut Size	MANDREL		NOSEPIECE	
	Part No.	O.D	Part No	I.D
M3	PNT600-01-3*	φ3	TNM00146*	φ3.1
M4	PNT600-01-4P*	φ4	TNM00147*	φ4.1
M5	PNT600-01-5P	φ5	TNM00148*	φ5.1
M6	PNT600-01-6P	φ6	TNM00149*	φ6.1
M8	PNT600-01-8P*	φ8	TNM00150*	φ8.1

Table C Thin head Hexsert® compatible chart *: Option parts

Nut Size	MANDREL		NOSEPIECE	
	Outside Diameter	M8 × 1.0	Inside Diameter	
				
	Part No.	O.D	Part No	I.D
M4	PNT600-01-4P*	φ4	TNM00151*	φ4.1
M5	PNT600-01-5P	φ5	TNM00152*	φ5.1
M6	PNT600-01-6P	φ6	TNM00153*	φ6.1
M8	PNT600-01-8P*	φ8	TNM00150*	φ8.1

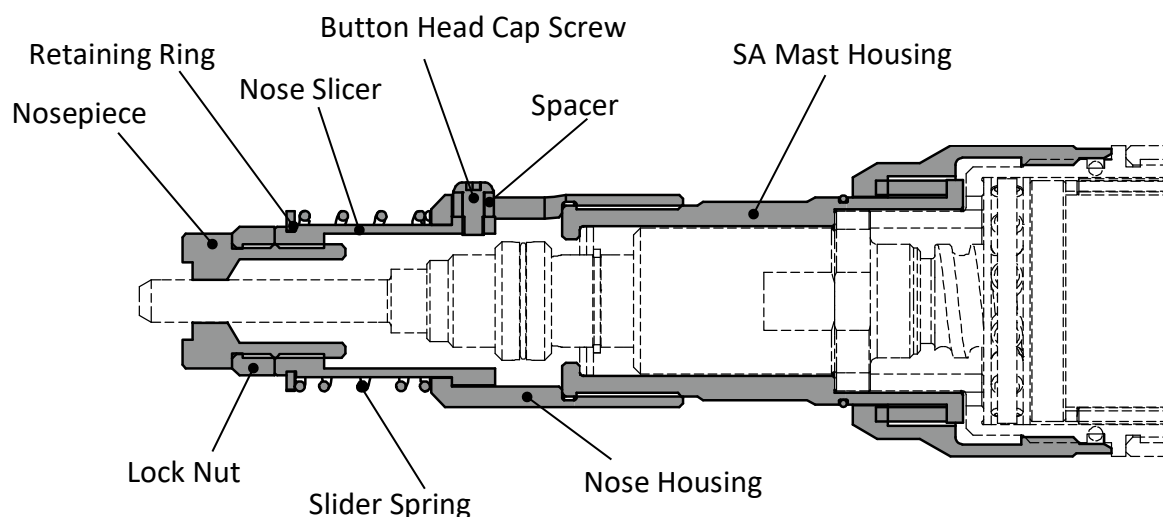
MANDREL AND NOSEPIECE (OPTIONS)

1. Pipe Nut (Made to order)

When fastening the pipe nut SRH-630-191-K2, install the nose assembly for the pipe nut. The mandrel used is PNT600-01-6P. Please refer to the following list for the nose assembly components for pipe nuts.

●SRH-630-191-K2

Nose Assembly	TNM00354
SA Mast Housing	TNM00355
SA Nose Housing	TNM00356
Nose Housing	TNM00257
Nose Slider	PNT600-137A
Slider Spring	AN600P-31
Retaining Ring	AN600P-32
Nosepiece	PNT600-02-6NP
Lock Nut	PNT600-03
Hexagon socket button bolt	PNT600-100
Spacer	PNT600-138



2. Pipe HB Bolt (Made to order)

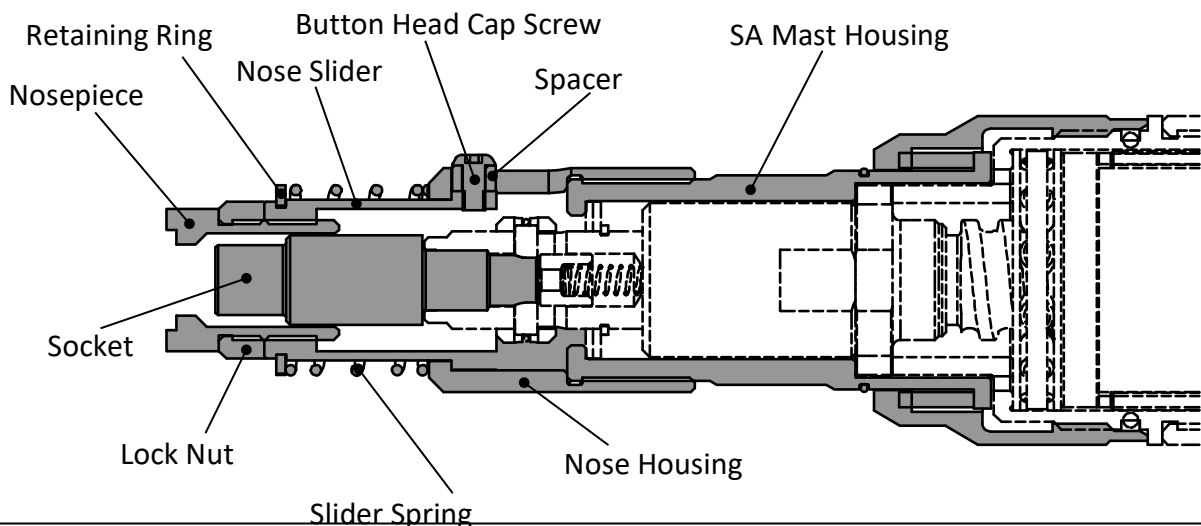
When fastening pipe HB bolts, install the pipe HB nose assembly. Change the mandrel attached to the tool to the socket that comes with the nose assembly. Please refer to the following list for each nose assembly component.

●SRB-630-480LF-K2-180L

Nose Assembly	TNM00358
SA Mast Housing	TNM00355
SA Nose Housing	TNM00359
Nose Housing	TNM00258
Nose Slider	TP134-080
Slider Spring	AN600P-31
Retaining Ring	AN600P-32
Nosepiece	TZ024-435
Lock nut	PNT600-03
Button Head Cap Screw	PNT600-100
Spacer	PNT600-138
Socket	TNM00365

●SRB-830-480-K2-70L

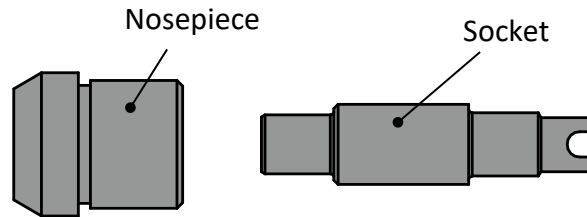
Nose Assembly	TNM00360
SA Mast Housing	TNM00355
SA Nose Housing	TNM00361
Nose Housing	TNM00257
Nose Slider	PNT600-137A
Slider Spring	AN600P-31
Retaining Ring	AN600P-32
Nosepiece	TZ034-433
Lock nut	PNT600-03
Button Head Cap Screw	PNT600-100
Spacer	PNT600-138
Socket	TNM00366



3. HB Bolt (Made to order)

When tightening HB bolts, replace the mandrel attached to the following nosepiece and tool with the following socket to make a tool for HB bolts.

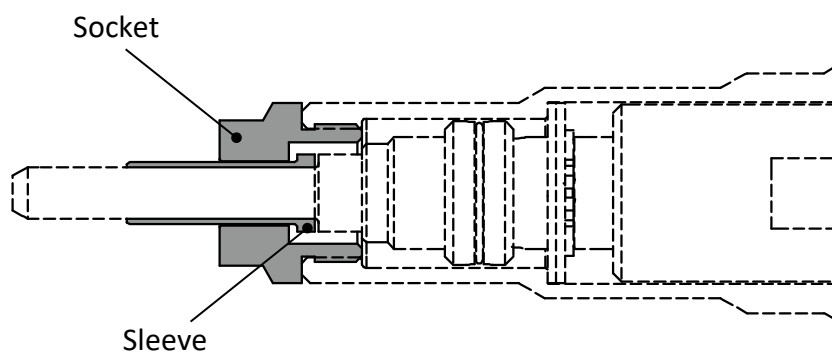
HB Bolt	Socket	Nosepiece
SPB-650R-WB*****	PNT600-01-6HB-WB	PNT600-02-6HB-WB
SPB-625-RLT	PNT600-01-6HB	PNT600-02-6HB



4. Slit Nut (Made to order) *Only can be used by Stroke control

When fastening the slit nut, attach the sleeve to the outer diameter of the mandrel and replace it with the following nose piece. The mandrel used is PNT600-01-6P.

Slit Nut	Nosepiece	
SPH-640-SLIT	PNT600-02-64SLT-S	ENS-M6SV-S
SPH-670-SLIT	PNT600-02-67SLT-S	



STANLEY[®]
Engineered Fastening

STANLEY Engineered Fastening

4 Shelter Rock Lane
Danbury, Connecticut,
United States, 06810
Tel. 877 364 2781
Fax 800 225 5614



Holding your world together[®]

Find your closest STANLEY Engineered Fastening location on
www.stanleyengineeredfastening.com/contact

For an authorized distributor nearby please check

www.stanleyengineeredfastening.com/econtact/distributors

Manual Number	Issue	C/N
TNM00383	1	210817-1

©2021 Stanley Black & Decker, Inc.

Avdel[®], Avex[®], Avibulb[®], Avinox[®], Bulbex[®], Hemlok[®], Interlock[®], Klamp-Tite[®], Monobolt[®], POP[®], ProSet[®], Stavex[®] and T-Lok[®] are registered trademarks of Stanley Black & Decker, Inc. and its affiliates. The names and logos of other companies mentioned herein may be trademarks of their respective owners. Data shown is subject to change without prior notice as a result of continuous product development and improvement policy. Your local STANLEY Engineered Fastening representative is at your disposal should you need to confirm latest information.