

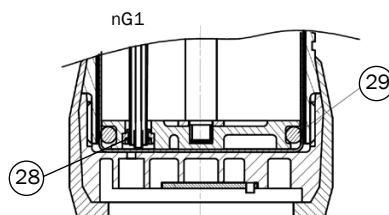
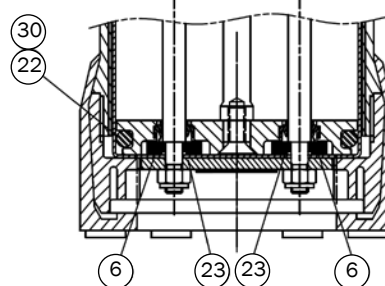
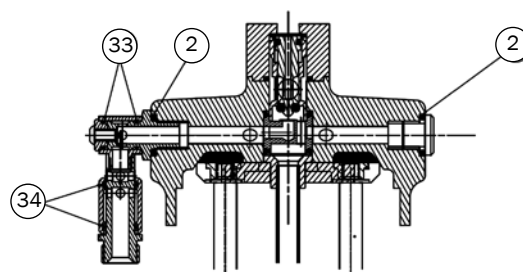
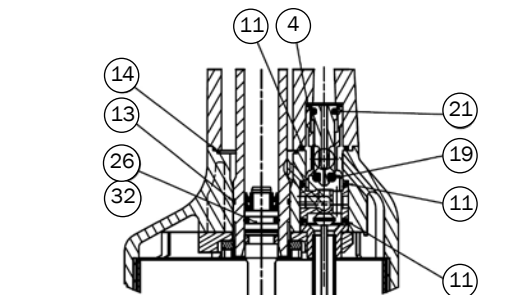
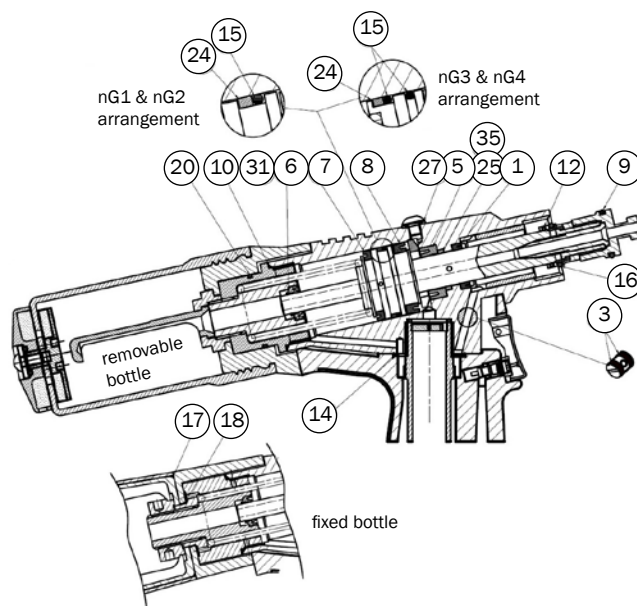
# Seal Kits for Genesis® nG Series

## Seal Kit No. 1 for nG1, nG2, nG3 & nG4

### Part No. 71213-99991

(consisting of items of Seal Kits No. 3 - 7 plus items 3, 13, 14, 26, 27, 28, 29, 32 which are included in this Seal Kit only)

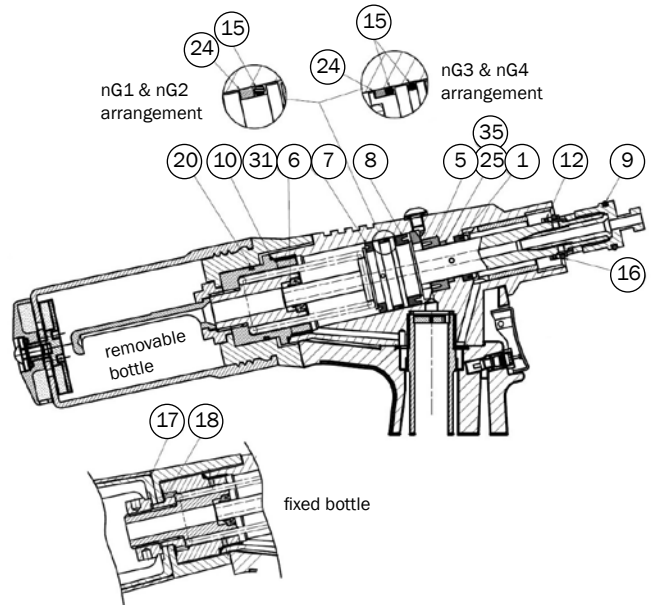
| Item | Part No.    | Description                | Qty. |
|------|-------------|----------------------------|------|
| 1    | 07003-00333 | Lip Seal                   | 1    |
| 2    | 07003-00127 | O-Ring                     | 2    |
| 3    | 07003-00189 | O-Ring                     | 2    |
| 4    | 07003-00271 | O-Ring                     | 1    |
| 5    | 07003-00273 | Lip Seal                   | 1    |
| 6    | 07003-00274 | Lip Seal                   | 4    |
| 7    | 07003-00275 | Lip Seal (nG1 & nG2)       | 1    |
| 8    | 07003-00341 | Lip Seal                   | 1    |
| 9    | 07003-00277 | O-Ring                     | 1    |
| 10   | 07003-00278 | O-Ring                     | 1    |
| 11   | 07003-00281 | O-Ring                     | 3    |
| 12   | 07003-00204 | O-Ring                     | 1    |
| 13   | 07003-00287 | O-Ring                     | 1    |
| 14   | 07003-00288 | O-Ring                     | 2    |
| 15   | 07003-00342 | O-Ring                     | 2    |
| 16   | 07003-00310 | O-Ring                     | 1    |
| 17   | 07003-00311 | O-Ring - (fixed bottle)    | 1    |
| 18   | 71210-02029 | Seal (fixed bottle)        | 1    |
| 19   | 07003-00268 | O-Ring                     | 1    |
| 20   | 07003-00398 | O-Ring                     | 2    |
| 21   | 07003-00042 | O-Ring                     | 1    |
| 22   | 07003-00280 | O-Ring (nG2)               | 1    |
| 23   | 07003-00027 | O-Ring                     | 2    |
| 24   | 71213-02022 | Bearing Tape - Piston      | 1    |
| 25   | 71213-02021 | Bearing Tape - Rod         | 1    |
| 26   | 71210-03800 | Seal Assy (nG1, nG2 & nG3) | 1    |
| 27   | 07003-00194 | Bonded Seal                | 1    |
| 28   | 07003-00300 | Lip Seal (nG1)             | 1    |
| 29   | 07003-00293 | O-Ring (nG1)               | 1    |
| 30   | 07003-00182 | O-Ring (nG3 & nG4)         | 1    |
| 31   | 07003-00374 | Lip Seal (nG4)             | 1    |
| 32   | 71230-03800 | Seal Assy (nG4)            | 1    |
| 33   | 07003-00042 | O-Ring                     | 2    |
| 34   | 07003-00284 | O-Ring                     | 2    |
| 35   | 71233-02021 | Bearing Tape - Rod nG4     | 1    |



# Seal Kits for Genesis® nG Series

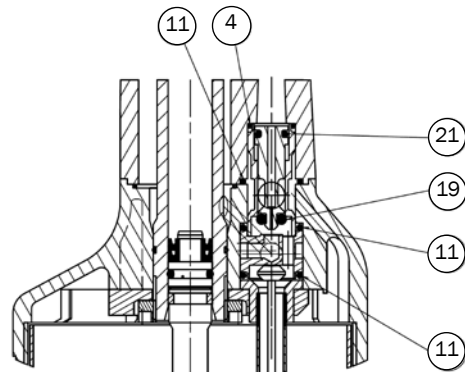
## Seal Kit No. 3 - Head Piston nG1, nG2, nG2-S, nG3, nG4 Part No. 71213-99993

| Item | Part No.    | Description                | Qty. |
|------|-------------|----------------------------|------|
| 1    | 07003-00333 | Lip Seal                   | 1    |
| 5    | 07003-00273 | Lip Seal                   | 1    |
| 6    | 07003-00274 | Lip Seal                   | 1    |
| 7    | 07003-00275 | Lip Seal (nG1, nG2, nG2-S) | 1    |
| 8    | 07003-00341 | Lip Seal                   | 1    |
| 9    | 07003-00277 | O-Ring                     | 1    |
| 10   | 07003-00278 | O-Ring                     | 1    |
| 12   | 07003-00204 | O-Ring                     | 1    |
| 15   | 07003-00342 | O-Ring                     | 2    |
| 16   | 07003-00310 | O-Ring                     | 1    |
| 17   | 07003-00311 | O-Ring - (fixed bottle)    | 1    |
| 18   | 71210-02029 | Seal (fixed bottle)        | 1    |
| 20   | 07003-00398 | O-Ring                     | 2    |
| 24   | 71213-02022 | Bearing Tape - Piston      | 1    |
| 25   | 71213-02021 | Bearing Tape - Rod         | 1    |
| 31   | 07003-00374 | Lip Seal (nG4)             | 1    |
| 35   | 71233-02021 | Bearing Tape - Rod nG4     | 1    |



## Seal Kit No. 4 - Pneumatic Valve Assembly nG1, nG2, nG3, nG4 Part No. 71213-99994

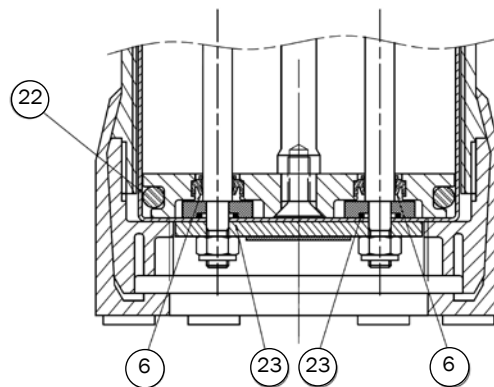
| Item | Part No.    | Description | Qty. |
|------|-------------|-------------|------|
| 4    | 07003-00271 | O-Ring      | 1    |
| 11   | 07003-00281 | O-Ring      | 3    |
| 19   | 07003-00268 | O-Ring      | 1    |
| 21   | 07003-00042 | O-Ring      | 1    |



# Seal Kits for Genesis® nG Series

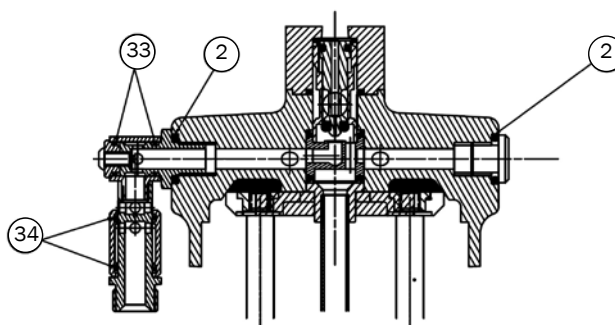
## Seal Kit No. 5 - Pneumatic Piston nG2 Part No. 71213-99995

| Item | Part No.    | Description | Qty. |
|------|-------------|-------------|------|
| 6    | 07003-00274 | Lip Seal    | 3    |
| 22   | 07003-00280 | O-Ring      | 1    |
| 23   | 07003-00027 | O-Ring      | 2    |



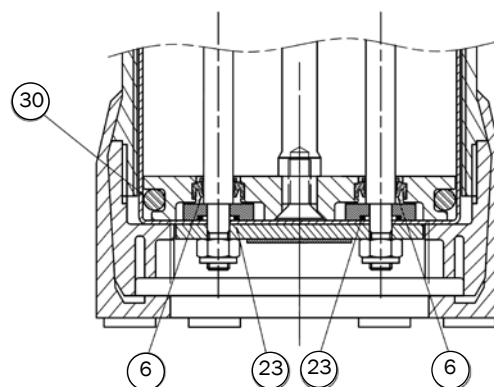
## Seal Kit No. 6 - On/Off Valve nG1, nG2, nG3, nG4 Part No. 71213-99996

| Item | Part No.    | Description | Qty. |
|------|-------------|-------------|------|
| 2    | 07003-00127 | O-Ring      | 2    |
| 33   | 07003-00042 | O-Ring      | 2    |
| 34   | 07003-00284 | O-Ring      | 2    |



## Seal Kit No. 7 - Pneumatic Piston nG3, nG4 Part No. 71223-99992

| Item | Part No.    | Description | Qty. |
|------|-------------|-------------|------|
| 6    | 07003-00274 | Lip Seal    | 3    |
| 23   | 07003-00027 | O-Ring      | 2    |
| 30   | 07003-00182 | O-Ring      | 1    |



Avdel USA LLC  
614 NC Highway 200 South  
Stanfield, North Carolina 28163  
Tel. +1 704 888-7100 · Fax -0258  
infoAvdel-USA@infastech.com

www.avdel-global.com

Avdel Canada Limited  
1030 Lorimar Drive  
Mississauga, Ontario L5S 1R8  
Tel. +1 905 364-0664 · Fax -0678  
infoAvdel-Canada@infastech.com

© 2010 Infastech, Rev. 11.2012

Genesis® is a trademark of Avdel UK Limited.

Data shown is subject to change without prior notice as a result of continuous product development and improvement policy.  
Your local Avdel representative is at your disposal should you need to confirm latest information.

page 3/3