

# Hydro-Pneumatic Tool for Versa-Nut® Blind Threaded Inserts 74405 Series

## Features

- Tool specific for Versa-Nut® inserts
- Split tool
- Lightweight placing head

## Benefits

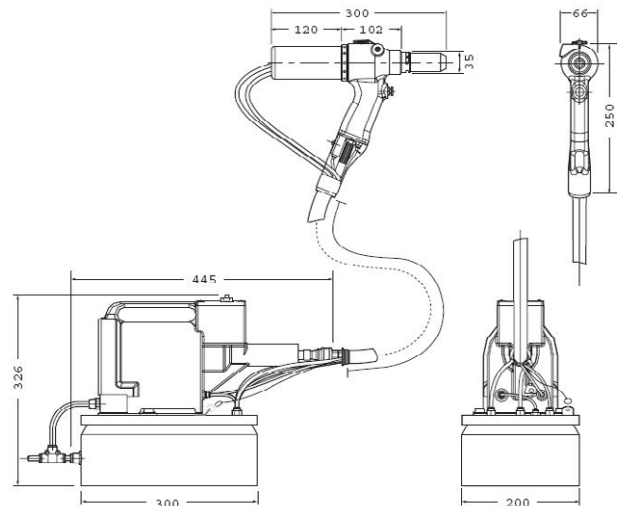
- High placement speed
- Lightweight tool
- Robust tool
- Ergonomic
- Ease of maintenance



## Specifications

Head Weight (without nose equipment)	2.0 kg (4.4 lbs)
Pull Force @ 5.5 bar	13.84 kN (3,111 lbf)
Stroke (max.)	16 mm (0.63 in)
Air Supply Pressure	5 – 7 bar
Free Air Volume @ 5.5 bar	15 litres
Noise Level	<75 dB(A)
Vibration	<2.5m/s <sup>2</sup>

## Dimensions (mm/inches)



## Placing Capability

Versa-Nut® threaded inserts M4 to M10.  
For detailed information on placing capability and nose equipment please refer to the tool manual on our website or contact your local STANLEY Engineered Fastening representative.