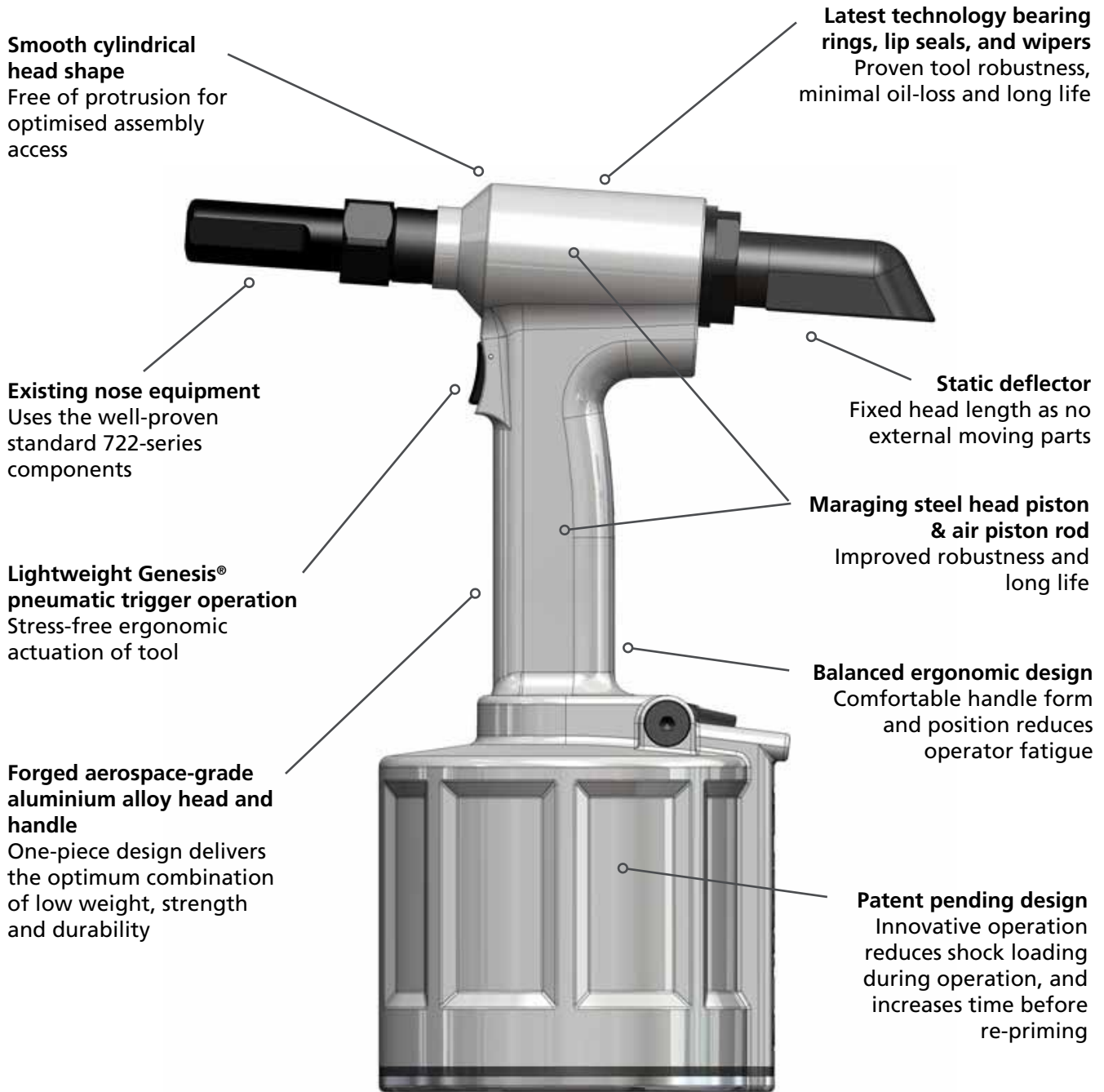


Featuring an innovative new hydraulic design* and using the latest sealing and guiding technology, this new tool delivers unmatched fastening efficiency and dependability.

*Patent pending



STANLEY®
Engineered Fastening

www.StanleyEngineeredFastening.com

Avdel USA LLC
614 NC Highway 200 South
Stanfield, North Carolina 28163
Tel. +1 704 888-7100 · Fax -0258
infoAvdel-USA@sbdinc.com

Avdel Canada Limited
1030 Lorimar Drive
Mississauga, Ontario L5S 1R8
Tel. +1 905 364-0664 · Fax -0678
infoAvdel-Canada@sbdinc.com

© 2013 Stanley Black & Decker, Inc., Rev. 04.2015

Avbolt®, Avdel®, Avdelok®, Avseal®, Avtainer®, Genesis®, Maxlok® and NeoBolt® are registered trademarks of Avdel UK Limited. POP® is a registered trademark of Emhart Teknologies.

page 1/2

Data shown is subject to change without prior notice as a result of continuous product development and improvement policy. Your local STANLEY Engineered Fastening representative is at your disposal should you need to confirm latest information.



Specifications

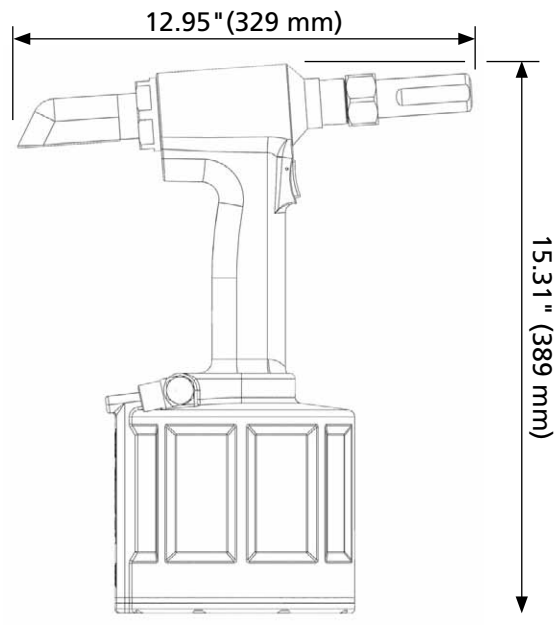
Weight (without nose equipment)	10.8 lbs (4.9 kg)
Pull force (@ 5.5 bar)	6,407 lbf (28.5 kN)
Stroke	0.79" (21 mm)
Cycle time	3 seconds
Noise level	<75 dB(A)
Vibration	<2.5m/s ²

Placing Capability

Lockbolt type	Size
NeoBolt®	5/16" (8 mm)
Avdelok®, Maxlok®, Avtainer®	up to 3/8" (10 mm)
Avbolt®	up to 5/16" (8 mm)
Avseal® II sealing plugs	11.0 - 16.0 mm

For detailed information on placing capability, required air pressure, and nose equipment please refer to the tool manual or contact your local STANLEY Engineered Fastening representative.

Dimensions



STANLEY
Engineered Fastening

Avdel USA LLC
614 NC Highway 200 South
Stanfield, North Carolina 28163
Tel. +1 704 888-7100 · Fax -0258
infoAvdel-USA@sbdinc.com

Avdel Canada Limited
1030 Lorimar Drive
Mississauga, Ontario L5S 1R8
Tel. +1 905 364-0664 · Fax -0678
infoAvdel-Canada@sbdinc.com

www.StanleyEngineeredFastening.com

© 2013 Stanley Black & Decker, Inc., Rev. 04.2015

Avbolt®, Avdel®, Avdelok®, Avseal®, Avtainer®, Genesis®, Maxlok® and NeoBolt® are registered trademarks of Avdel UK Limited. POP® is a registered trademark of Emhart Technologies.

Data shown is subject to change without prior notice as a result of continuous product development and improvement policy. Your local STANLEY Engineered Fastening representative is at your disposal should you need to confirm latest information.