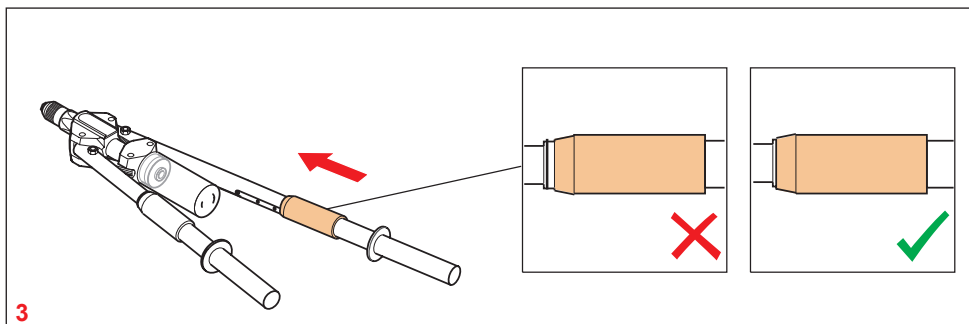
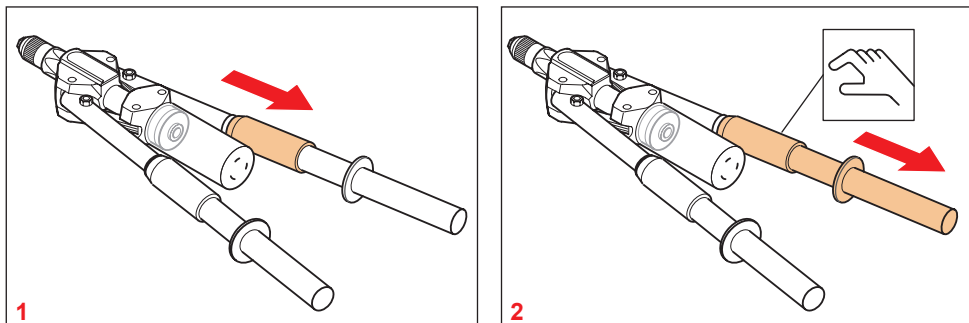
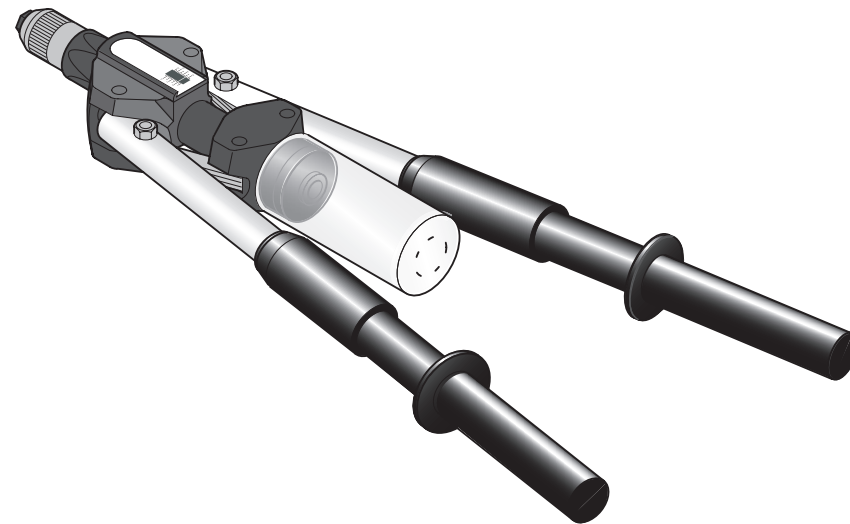


MFX 280 SM



	Metric [mm]	Size	Imperial [inch]	nose piece
Standard Rivet	4,0	5	5/32	C
Standard Rivet	4,8 - 5,0	6	3/16	D
Standard Rivet	6,0	-	-	E
Standard Rivet	6,4	8	1/4	F
Plock/Magnalok ®	4,8	6	3/16	DML
Plock/Magnalok ®	6,4	8	1/4	FML
Monobolt ®	4,8	6	3/16	DMB
Monobolt ®	6,4	8	1/4	FMB

MFX 280 SM



Capacity in stainless steel		Capacity in steel	
4,0 mm 5/32"		4,8 mm 3/16"	
4,8 - 5,0 mm 3/16"		6,4 mm 1/4"	
6,0 mm		4,8 mm 3/16"	
6,4 mm 1/4"		6,4 mm 1/4"	



MFX 280 SM

