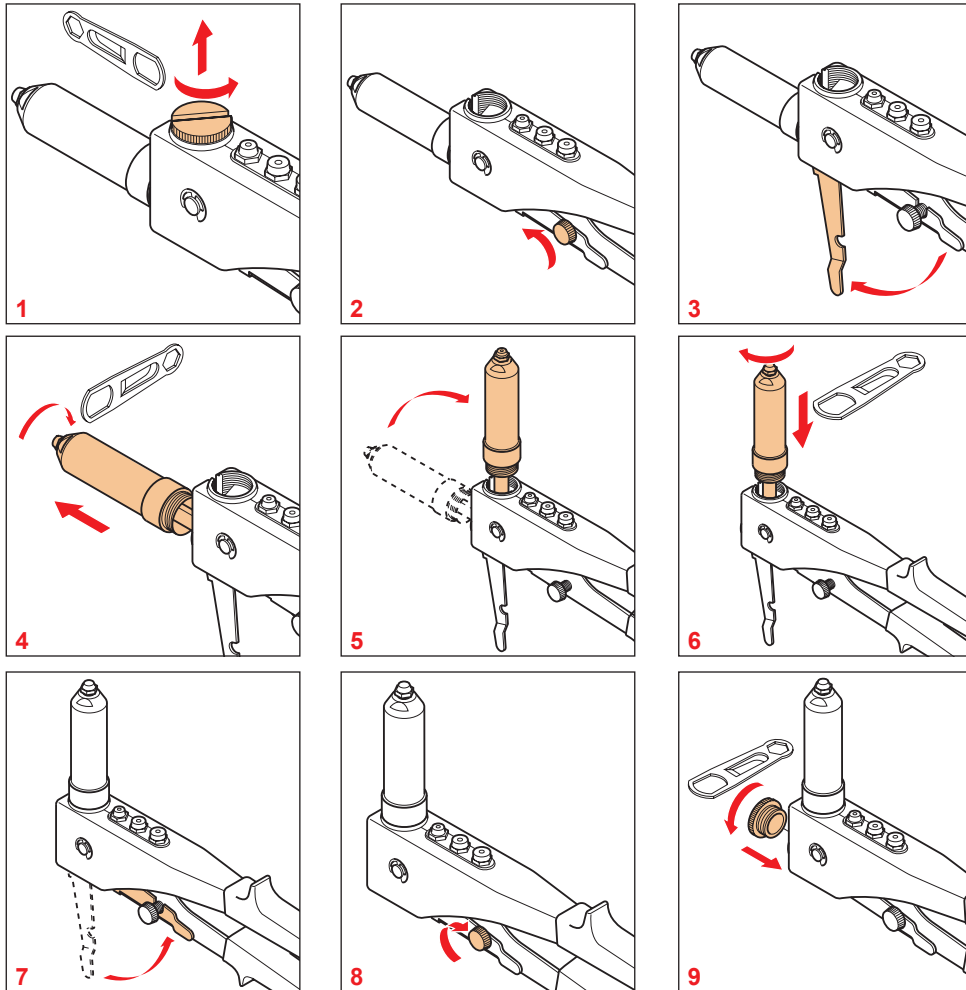
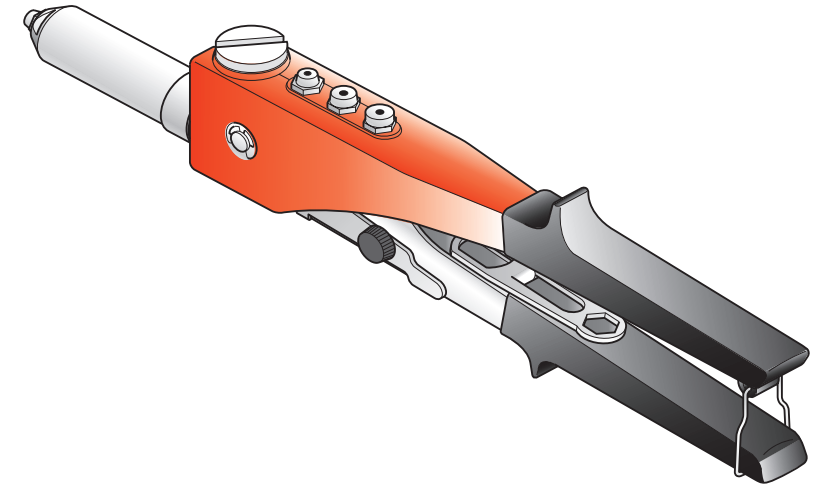


# MFX 10000



	Metric [mm]	Size	Imperial [inch]	nose piece
Standard Rivet	2,4	3	3/32	A
Standard Rivet	3,0 - 3,2	4	1/8	B
Standard Rivet	4,0	5	5/32	C
Standard Rivet	4,8 - 5,0	6	3/16	D

# MFX 10000



Capacity in aluminium			
2,4 mm 3/32"		4,0 mm 5/32"	
3,0 - 3,2 mm 1/8"		4,8 - 5,0 mm 3/16"	

# MFX 10000

