

Installation Tool for Monobolt® Fasteners & Lockbolts

7287 Model

Features

- Hydro-pneumatic split tool for Monobolt fasteners and lockbolts
- Extended stroke and pull force
- Installation of large fasteners with single pull action
- Short cycle time
- Lightweight placing head
- Remote intensifier mounted on castors
- 3 m hose length
- Wide choice of directly interchangeable 73200 model nose assemblies to suit the access restrictions of the application

Benefits

- Places a wide range of fasteners in one stroke
- Does not require second actuation (two pulls)
- High placement speed
- Can offer labour cost savings
- Can increase assembly capacity
- Reduces operator fatigue
- Flexible use in the assembly line
- Can be fitted with a collar cropper to remove installed Avdelok lockbolts
- Reduced noise output during fastener installation

Specifications

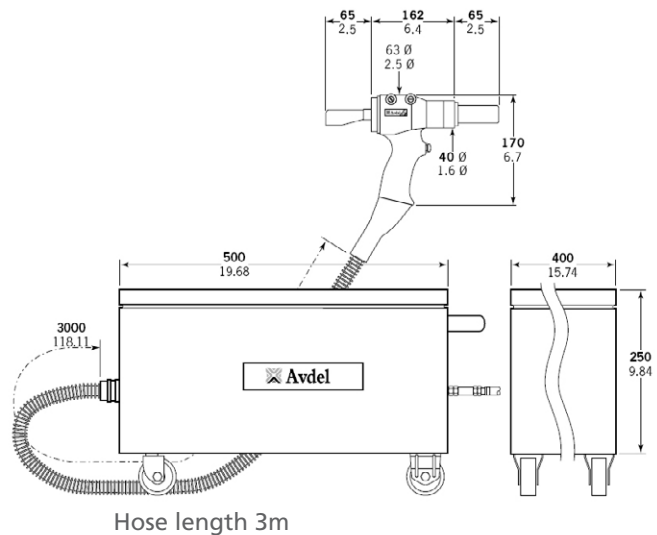
Pistol Weight (without equipment)	1.47 kg
(with equipment)	< 2.5 kg
Total weight (without equipment)	40 kg
Pull Force @ 5.5 bar	32.4 kN
Stroke min. under load	29 mm
free cycling	32 mm
Cycle Time (approx.)	1.7 sec
Air Supply Pressure	5 – 7 bar
Free Air Volume @ 5.5 bar	3.5 litres
Noise Level	75 dB(A)
Vibration	< 2.5 m/s ²

Placing Capability

Avdelok®, Avtainer® and Monobolt® fasteners up to \varnothing 10 mm, Avbolt® fasteners up to \varnothing 8 mm, NeoBolt® lockbolts \varnothing 9,6 mm, and all other lockbolts up to \varnothing 8 mm
 Avseal® II sealing plugs up to \varnothing 14 mm



Dimensions (mm/inches)



For detailed information on placing capability and nose equipment please refer to the tool manual or contact your local STANLEY Engineered Fastening representative.