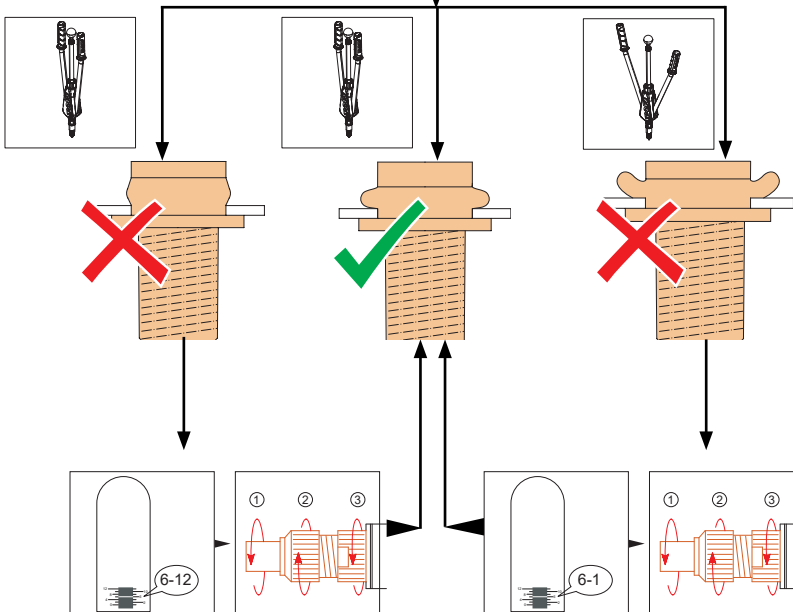
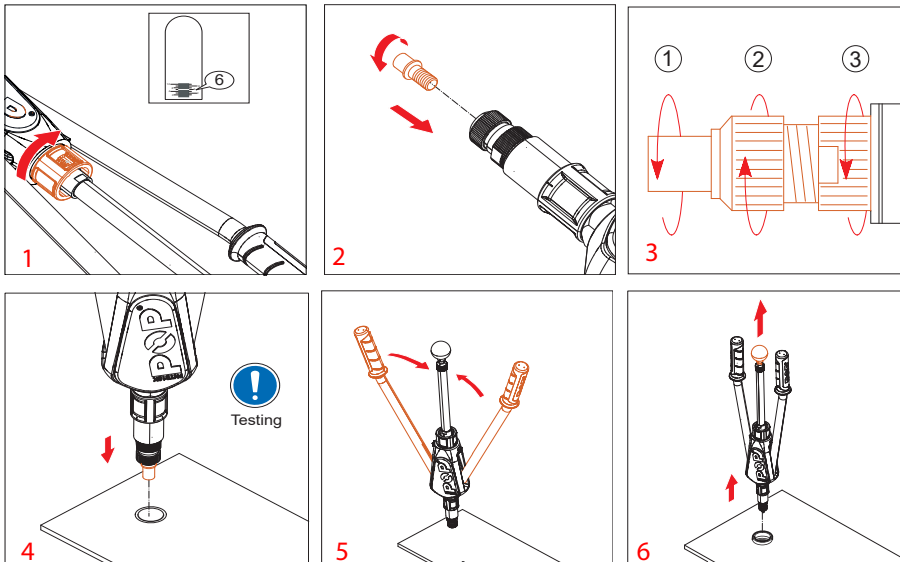


# PNT310X& PNT310XI



# PNT310X& PNT310XI



CAPACITY IN STEEL		
Metric	Imperial	
M5	10-32 UNF	
M6	1/4-20 UNC	
M8	5/16-18 UNC	

CAPACITY IN STEEL		
Metric	Imperial	
M5	10-24 UNC	
M6	1/4-20 UNC	
M8	5/16-18 UNC	
M10	3/8-16 UNC	

# PNT310X& PNT310XI



# PNT310X& PNT310XI

